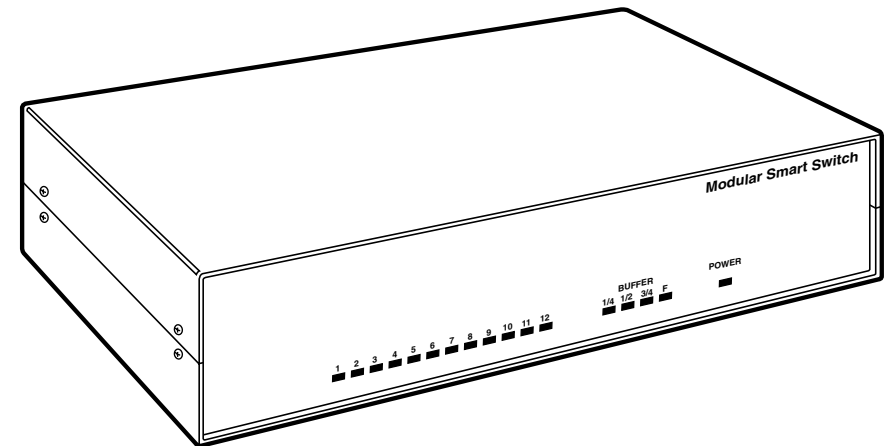




Modular Smart Switch



© Copyright 2000. Black Box Corporation. All rights reserved.

1000 Park Drive • Lawrence, PA 15055-1018 • 724-746-5500 • Fax 724-746-0746

**CUSTOMER
SUPPORT
INFORMATION**

Order toll-free in the U.S.: Call 877-877-BBOX (outside U.S. call 724-746-5500)
FREE technical support 24 hours a day, 7 days a week: Call 724-746-5500 or fax 724-746-0746
Mailing address: Black Box Corporation, 1000 Park Drive, Lawrence, PA 15055-1018
Web site: www.blackbox.com • E-mail: info@blackbox.com

**FEDERAL COMMUNICATIONS COMMISSION
AND
INDUSTRY CANADA
RADIO FREQUENCY INTERFERENCE STATEMENTS**

This equipment generates, uses, and can radiate radio-frequency energy, and if not installed and used properly, that is, in strict accordance with the manufacturer's instructions, may cause interference to radio communication. It has been tested and found to comply with the limits for a Class A computing device in accordance with the specifications in Subpart B of Part 15 of FCC rules, which are designed to provide reasonable protection against such interference when the equipment is operated in a commercial environment. Operation of this equipment in a residential area is likely to cause interference, in which case the user at his own expense will be required to take whatever measures may be necessary to correct the interference.

Changes or modifications not expressly approved by the party responsible for compliance could void the user's authority to operate the equipment.

This digital apparatus does not exceed the Class A limits for radio noise emission from digital apparatus set out in the Radio Interference Regulation of Industry Canada.

Le présent appareil numérique n'émet pas de bruits radioélectriques dépassant les limites applicables aux appareils numériques de la classe A prescrites dans le Règlement sur le brouillage radioélectrique publié par Industrie Canada.

NORMAS OFICIALES MEXICANAS (NOM) ELECTRICAL SAFETY STATEMENT

INSTRUCCIONES DE SEGURIDAD

1. Todas las instrucciones de seguridad y operación deberán ser leídas antes de que el aparato eléctrico sea operado.
2. Las instrucciones de seguridad y operación deberán ser guardadas para referencia futura.
3. Todas las advertencias en el aparato eléctrico y en sus instrucciones de operación deben ser respetadas.
4. Todas las instrucciones de operación y uso deben ser seguidas.
5. El aparato eléctrico no deberá ser usado cerca del agua—por ejemplo, cerca de la tina de baño, lavabo, sótano mojado o cerca de una alberca, etc..
6. El aparato eléctrico debe ser usado únicamente con carritos o pedestales que sean recomendados por el fabricante.
7. El aparato eléctrico debe ser montado a la pared o al techo sólo como sea recomendado por el fabricante.
8. Servicio—El usuario no debe intentar dar servicio al equipo eléctrico más allá a lo descrito en las instrucciones de operación. Todo otro servicio deberá ser referido a personal de servicio calificado.
9. El aparato eléctrico debe ser situado de tal manera que su posición no interfiera su uso. La colocación del aparato eléctrico sobre una cama, sofá, alfombra o superficie similar puede bloquea la ventilación, no se debe colocar en libreros o gabinetes que impidan el flujo de aire por los orificios de ventilación.
10. El equipo eléctrico deber ser situado fuera del alcance de fuentes de calor como radiadores, registros de calor, estufas u otros aparatos (incluyendo amplificadores) que producen calor.
11. El aparato eléctrico deberá ser conectado a una fuente de poder sólo del tipo descrito en el instructivo de operación, o como se indique en el aparato.

12. Precaución debe ser tomada de tal manera que la tierra física y la polarización del equipo no sea eliminada.
13. Los cables de la fuente de poder deben ser guiados de tal manera que no sean pisados ni pellizcados por objetos colocados sobre o contra ellos, poniendo particular atención a los contactos y receptáculos donde salen del aparato.
14. El equipo eléctrico debe ser limpiado únicamente de acuerdo a las recomendaciones del fabricante.
15. En caso de existir, una antena externa deberá ser localizada lejos de las líneas de energía.
16. El cable de corriente deberá ser desconectado del cuando el equipo no sea usado por un largo periodo de tiempo.
17. Cuidado debe ser tomado de tal manera que objetos líquidos no sean derramados sobre la cubierta u orificios de ventilación.
18. Servicio por personal calificado deberá ser provisto cuando:
 - A: El cable de poder o el contacto ha sido dañado; u
 - B: Objetos han caído o líquido ha sido derramado dentro del aparato; o
 - C: El aparato ha sido expuesto a la lluvia; o
 - D: El aparato parece no operar normalmente o muestra un cambio en su desempeño; o
 - E: El aparato ha sido tirado o su cubierta ha sido dañada.

TRADEMARKS USED IN THIS MANUAL

Any trademarks mentioned in this manual are acknowledged to be the property of the trademark owners.

Contents

Chapter	Page
1. Specifications	8
2. Introduction	9
2.1 Features	9
2.2 Product Information	9
3. Installing Port Modules and Memory	11
3.1 Fitting Expansion-Buffer Memory	11
3.2 Fitting Port Modules	12
4. Configuring the Modular Smart Switch	14
4.1 Setting the Global Timeout Period	15
4.2 Setting Parallel Ports as Inputs or Outputs	17
4.3 Setting Serial Port Protocols and Options	18
5. Installing the Modular Smart Switch	21
5.1 Selecting Ports for Your Equipment	21
5.2 Positioning the Modular Smart Switch	21
5.3 Cable Requirements	21
5.4 Connecting Devices to the Modular Smart Switch	21
5.5 Switching On	22
5.6 Enabling Computers	22
5.7 Using the Modular Smart Switch	24
5.8 Port Indicators (1 to 12)	24
5.9 Buffer Status Indicators	25
6. Using the Control Software	26
6.1 Installing the Resident Software	26
6.2 Running the Software from the DOS Prompt	26
6.3 Command-Line Options	27
6.4 Running the Software from within Microsoft® Windows	28
6.5 Using the Software	29
6.6 Main Menu	30
6.7 Selecting a Destination Printer, Plotter, or Modem	31
6.8 Direct Output of Typed Keyboard Characters	33
6.9 Using the Functions Menu	34
6.9.1 Sending a Form Feed	34
6.9.2 Clearing Unwanted Data	34
6.9.3 Ending Long or Infinite Timeouts	34
6.10 Setting the Options	35
6.10.1 Multiple Copies	35
6.10.2 Changing the Timeout	36
6.10.3 Selecting a PC Port	36

Chapter	Page
7. Serial Port Control Utility	37
8. Using the Modular Smart Switch to Transfer Files	40
8.1 Transferring Files between IBM compatible PCs	40
8.2 Using the Software with File-Transfer Software	42
8.3 Transferring Files Between PCs Not Compatible with IBM	42
8.4 General Hints and Tips	43
9. Software Commands	44
9.1 Introduction	44
9.2 Connect Command	45
9.2.1 Selecting a Destination Port	45
9.2.2 Printing Several Copies	45
9.2.3 Broadcasting Data to Several Devices	45
9.2.4 Varying the Timeout Period	46
9.2.5 Disabling Software Commands	46
9.2.6 Removing Line Feeds at End of Software Commands	47
9.3 Clear Command	47
9.4 End of File Command	47
9.5 Creating Batch Files to Send Commands (IBM compatible PCs)	47
9.6 Setting Default Start of Day Destination Ports	49
10. Troubleshooting	50
10.1 Self-Test at Power-On	50
10.2 Parallel Interfaces—No Data Transmitted through the Switch	50
10.3 Parallel Interfaces—Corrupted, Extra, or Lost Data	51
10.4 Problems Interfacing Serial Devices	51
10.5 Serial Interfaces—No Data Transmitted through the Switch	51
10.6 Serial Interfaces—Corrupted Data	51
10.7 Merged Printouts	52
10.8 Print Data Transmitted but File Transfer Fails	52

Chapter	Page
Appendix A: Serial Ports	53
A.1 RS-232 and RS-422 Pin Assignments.....	53
A.2 Connecting to Computers—RS-232 Connections	54
A.2.1 RS-232 Connections to IBM PCs and Compatibles	54
A.2.2 RS-232 Connectors to IBM AT and compatibles	55
A.3 Connecting to Printers	56
A.4 Connecting to Modems	57
A.5 Connecting to Plotters.....	58
A.6 Connecting to NEC Spinwriter	59
A.7 Connecting to DEC LN03 Laser Printer	60
A.8 RS-422 Cables	61
Appendix B: Parallel Ports	62
B.1 Parallel Pin Assignments	62
B.2 Cable for IBM PC/XT, AT, or compatible.....	64
B.3 Cable to a 36-pin Amphenol	64

1. Specifications

Base Chassis (SW925A/SW925AE)—6 dual-port module slots, 2 memory module slots, integral power supply

Ports—*Parallel*: Dual parallel-port module slots with DB25 female connectors. Automatic in/out detection or selectable by option switches. 30,000 cps.
Serial: Dual serial-port modules contain 2 bidirectional RS-232/422 interfaces with DB25 male connectors.

Switches—Control protocol and RS-232/422 selection and baud rates.

Baud Rates—300, 1200, 2400, 4800, 9600, 19200, 38400, and 57600 bps

Handshake—CTS/DTR hardware XON/XOFF, ETX/ATK.

Functional Features—Code-string control; data broadcast to multiple ports; print to first available printer; file transfer compatible with Laplink, Fastlynx, Kermit, Xmodem, etc.

Timeout—Selectable from 1 to 255 seconds

Indicators—LEDs: Buffer status, individual channel activity, power

Power—115 or 230 VAC, 60/50 Hz

Size—3.5"H x 13.1"W x 9.4"D (9 x 33.5 x 24 cm)

Weight—7.7 lb. (3.5 kg)

2. Introduction

The Modular Smart Switch is suitable for a wide variety of applications, including printer and plotter sharing, file transfer, modem sharing, network switching, electronic point-of-sale systems, access control networks, machine tool control, data collection, and mainframe connections.

2.1 Features

- Modular and user-upgradeable construction.
- Mixed serial (RS-232/422) and parallel ports in any combination.
- Up to 12 ports and 4 MB of buffer memory.
- Automatic printer and plotter sharing.
- Any port can be routed to any other port.
- File transfer between computers using standard file-transfer software.
- Memory-resident control software for selecting destination ports.
- Multiple copies of printouts.
- Unwanted print data can be cleared from the switch's buffer.
- Software for high-speed serial data output from PCs.
- Full-duplex serial data communications.

2.2 Product Information

The following items are available:

- Modular Smart Switch Chassis w/ 1 Meg Memory (SW925A, SW925AE) includes:

Main chassis with 6 dual-port module slots and 2 memory slots

Software disk in 3.5" format

Power lead with 115 VAC or 230 VAC plug

5 module blanking plates with fixing screws

This user manual

- Dual Serial RS232/422 Port Module (SW926C)
- Dual Parallel Port Module In/Out (SW927C)
- 1 Meg Memory Expansion (SW928C)
- 2 Meg Memory Expansion (SW929C)

3. Installing Memory and Port Modules

To fit memory and port modules, you will need to remove the lid of your Modular Smart Switch. To do this, remove the four retaining screws holding the lid in place (see **Figure 3-2**) and lift the lid away.

3.1 Fitting Expansion-Buffer Memory

The Modular Smart Switch contains two memory module slots (A and B), each of which can be fitted with a 1 MB or 2MB buffer memory module (see **Figure 3-1**). The Modular Smart Switch is supplied as standard with a 1 Meg buffer memory module fitted in slot A.

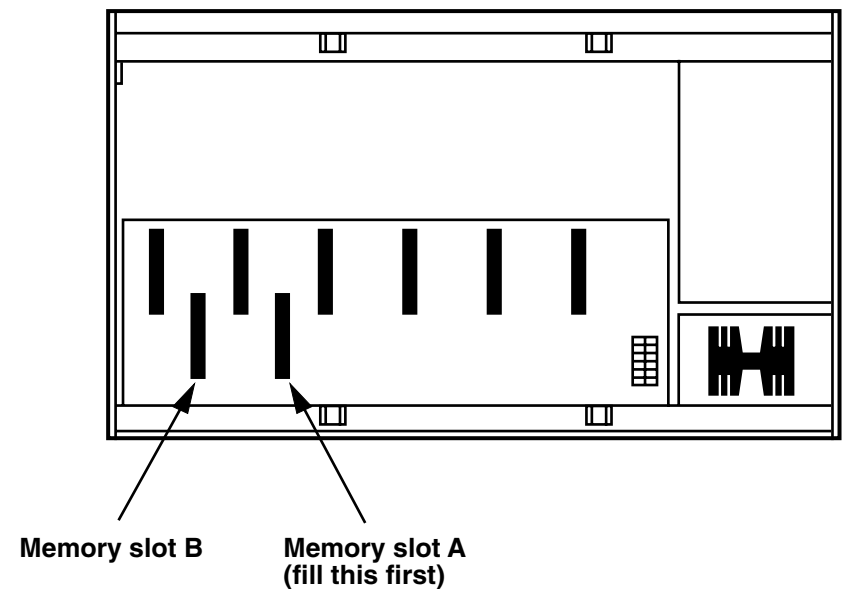


Figure 3-1. Fitting Expansion Buffer Memory Modules.

To install additional buffer memory:

- Make sure that the Modular Smart Switch is powered off.
- Insert the expansion buffer memory module into slot A or B (slot A should be filled first). A polarizing pin ensures that the board is seated correctly.

The installed buffer memory is automatically tested whenever the Modular Smart Switch is powered on. The buffer memory indicators will flash while the test is in progress and go off when the test is complete. If all the channel and buffer indicators come on permanently, then the buffer has been installed incorrectly or there is a memory fault.

CAUTION

Always observe static handling precautions when installing memory modules.

1. Keep the modules in their anti-static bags until you are ready to install them.
2. Never place memory modules in plastic bags or on plastic surfaces.
3. Discharge static from your clothes before handling the modules (you can do this by touching an earth-grounded metal device).

3.2 Fitting Port Modules

- Any type of port module can be fitted into any of the six module slots in any order.
- All slots have equal priority.
- All print data is routed by default to port 1 unless a destination port has been selected. For automatic printer and plotter sharing, the printer or plotter should be connected to port 1.

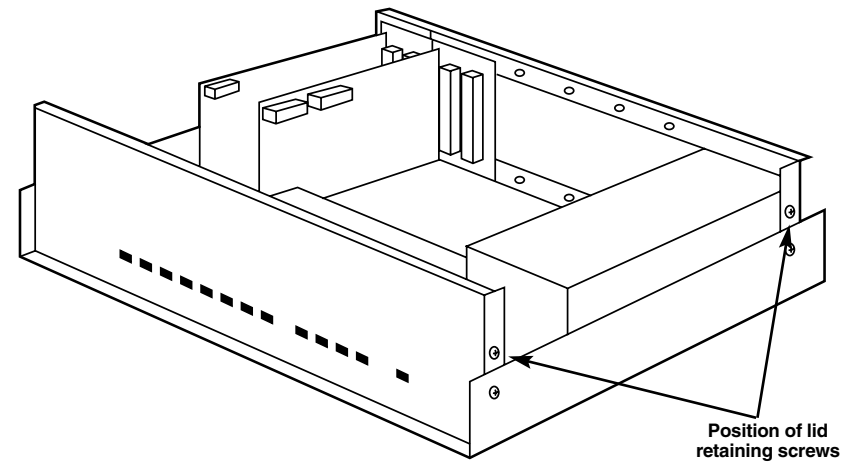


Figure 3-2. Fitting Port Modules.

To fit port modules:

1. Make sure that the Modular Smart Switch is powered off.
2. Remove the rear- panel blanking plates as appropriate.
3. Insert the modules as shown in **Figure 3-2**.
4. Push the modules onto the mating connectors on the base board. Do not place too much pressure on the board.
5. Fix the modules to the rear panel using the screws provided.

4. Configuring the Modular Smart Switch

The ports on the Modular Smart Switch are configured using a number of option switches situated on the modules. In addition to the port configuration, the global timeout values can be set using option switches on the main board. **Figures 4-1, 4-2, and 4-3** show the meaning of each of the sets of option switches. Set the option switches as required.

NOTE

The option switches are only read when the Modular Smart Switch is first powered on. Changing the settings while the Modular Smart Switch is powered on will have no immediate effect.

4.1 Setting the Global Timeout Period

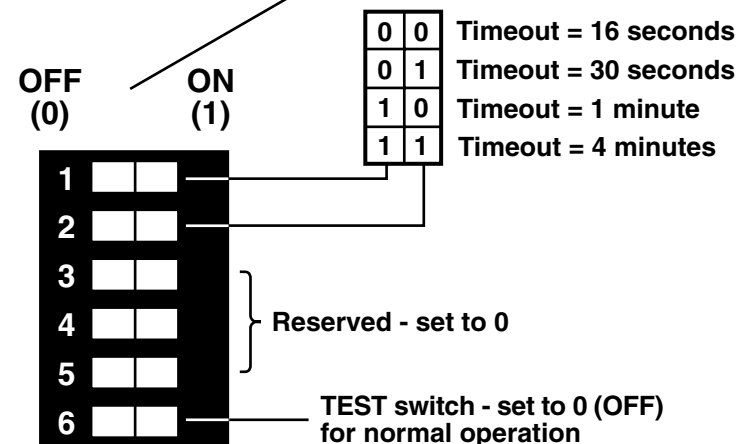
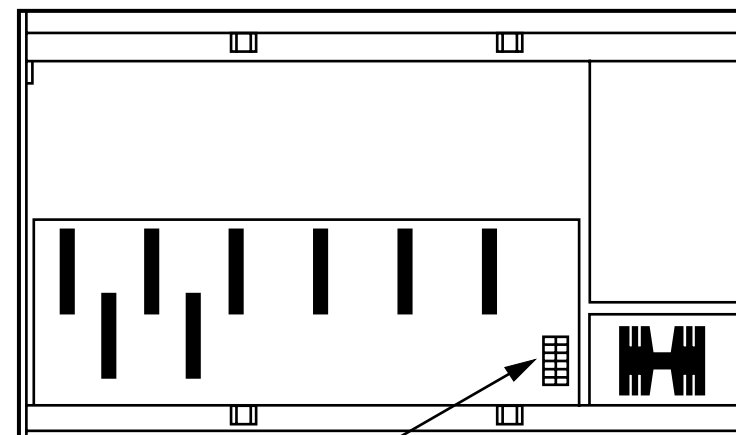


Figure 4-1. Setting the Global Timeout Period.

Timeout Period

When a user has sent no data for the timeout period, the Modular Smart Switch is able to switch to another user. The default timeout setting of 16 seconds is suitable for most applications. If printouts are ever merged, increase the timeout period. Switches 1 and 2 on the base board control the global default timeout period used by all the ports. Individual port timeouts can be set using the software (see **Chapter 6**) or by sending software commands (see **Chapter 9**).

4.2 Setting Parallel Ports as Inputs or Outputs

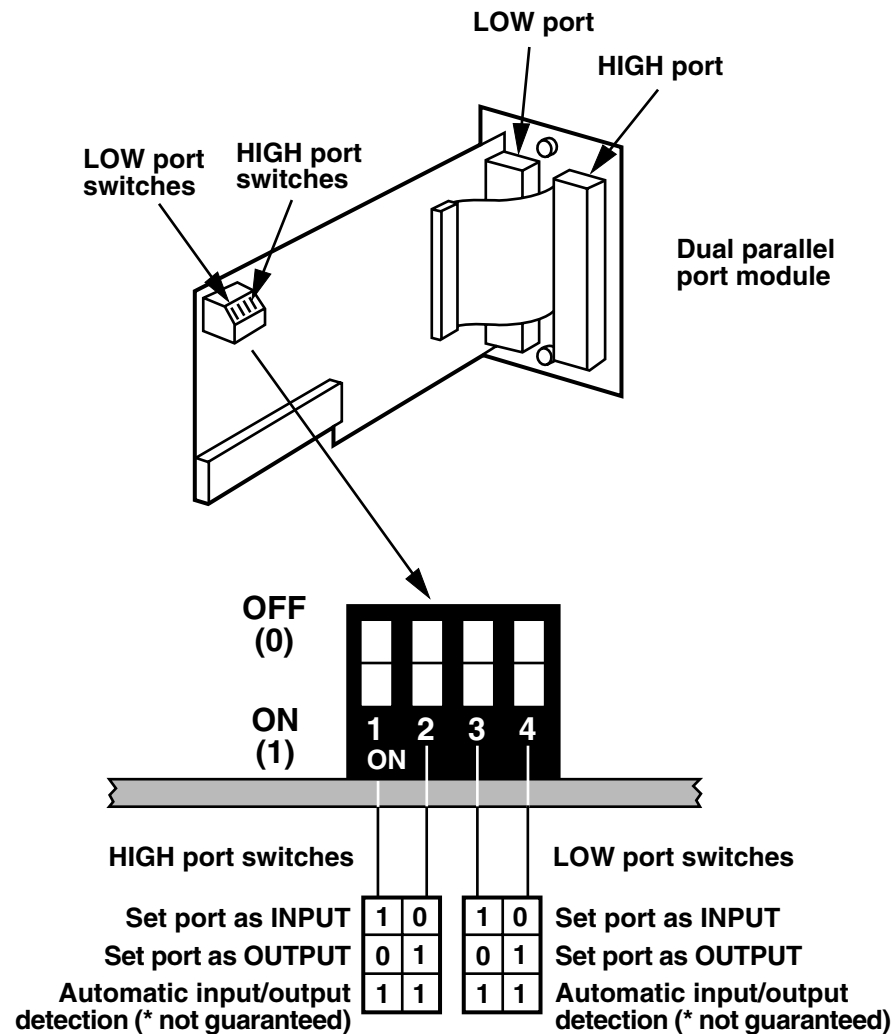


Figure 4-2. Selecting the Direction of Parallel Ports (Input or Output).

NOTE

Automatic detection of the direction of parallel ports is achieved by detecting the state of the SELECT IN signal on the hardware interface. This will operate with most PCs and printers. Automatic detection is not guaranteed to work with all equipment, so if you experience any problems, set the ports as dedicated inputs or outputs.

4.3 Setting Serial-Port Protocols and Options*Protocols*

For serial devices, you must set a number of parameters to make sure that the Modular Smart Switch is “speaking the same language” as the equipment that it will communicate with. These parameters include the handshake mode, the baud rate, the parity, the number of bits per character, and the number of stop bits. Most computers and printers are able to set these parameters, so it is generally advisable to set the fastest available. This is often 9600 baud, 8 bits per character, one stop bit, no parity, and either hardware handshake or XON/XOFF.

Hardware Handshake

- DTR/CTS (hardware) handshake uses hardware signal lines to control the flow of data (pins 5 and 20).

Software Handshake

- ETX/ACK—the flow of data is controlled by sending blocks of data and waiting for an ACKnowledgement character to be received.
- XON/XOFF (printer and plotter connections)—the flow of data is controlled by the receiving device by transmitting XOFF (stop data flow) and XON (start data flow) characters. Set this protocol on ports connected to printers and plotters.
- XON/XOFF (computer connections)—the flow of data is controlled by the Modular Smart Switch. This is done by sending XON (start data flow) and XOFF (stop data flow) characters to the computer. Set this protocol on ports connected to computers.

NOTE

The XON/XOFF setting for printer and plotter connections is a bidirectional protocol that recognizes the XON and XOFF characters in both directions. The XON/XOFF setting for computer connections recognizes the XON and XOFF characters in one direction only. This allows graphics, font and other non text data to be sent from computers without problems (the XON and XOFF characters often form part of this data).

Ports on the Modular Smart Switch that are set to XON/XOFF handshake will also give the hardware handshake signal to ensure maximum compatibility.

The bidirectional XON/XOFF protocol used for printer and plotter connections can also be used for computer connections if the computer will never send the XON or XOFF characters as part of the data stream.)

RS-232/RS-422 Selection

Each dual serial module supports both RS-232 and RS-422 serial communication. The hardware signals for RS-232 and RS-422 communication appear on different pins of the interface (see **Appendix A** for pin-configuration details).

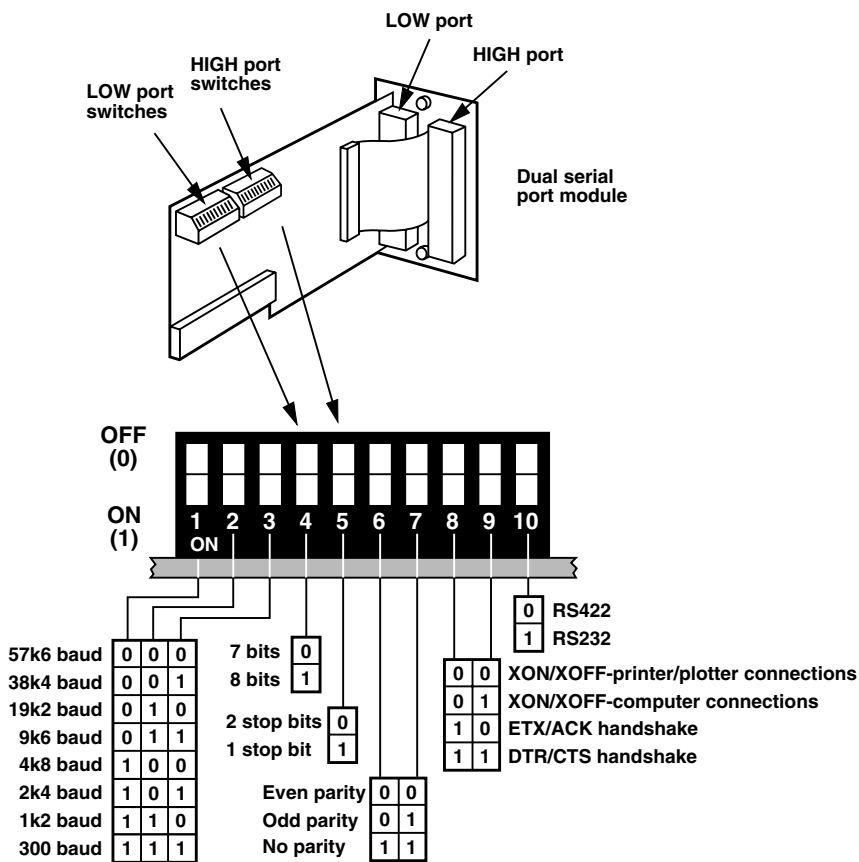


Figure 4-3. Setting Serial Port Options and Protocols.

5. Installing the Modular Smart Switch

5.1 Selecting Ports for Your Equipment

Printer and Plotter Sharing Applications

Unless otherwise specified, all print and plot data will automatically be routed to port 1. If you are automatically sharing a single printer or plotter, connect it to port 1. All ports have equal priority and data output is handled on a "first-come-first-served" basis.

General Datacomm Applications

For applications involving a central controlling PC, the PC should normally be connected to port 1 since data is routed to this port by default.

5.2 Positioning the Modular Smart Switch

Choose a central position for the Modular Smart Switch. This keeps cable lengths to a minimum.

5.3 Cable Requirements

You will need a suitable cable for each device that you wish to connect to the switch. Mechanical and electrical specifications for the cables are given in **Appendix A** (serial) and **Appendix B** (parallel).

NOTE

A great number of serial cables are available that are not suitable for use with your Modular Smart Switch. Do not assume that an existing cable is of the correct type because it has the correct connectors on each end or because it works between two other pieces of equipment. Always use the cabling recommended in this manual.

Centronics parallel cables should be less than 22.9 ft. (7 m) long. If the parallel computer or printer is more than 22.9 ft. (7 m) from the switch, the cable may be susceptible to spurious pick-up such as that generated from switching on fluorescent lights. Reduce the cable runs or use a booster if you have problems.

5.4 Connecting Devices to the Modular Smart Switch

Switch off all computers and printers before making any connections to the Modular Smart Switch. Also, park any hard disks if you need to move any PCs to allow access.

Plug in your cables, making sure that you are using the correct type of cable (see **Appendixes A and B**) and that you are connecting to the right type of port.

CAUTION

Connecting to the wrong type of port could damage both the Modular Smart Switch and your computers and printers.

5.5 Switching On

Plug the power supply lead into the rear of the Modular Smart Switch. Plug the power lead into a suitable supply socket. Switch on at the supply. Switch on the Modular Smart Switch using the switch at the rear.

The Power indicator (green) should come on and stay on. The Buffer Status indicators (red) should flicker for a few seconds while the unit self-tests, and then go out.

It is generally better to switch on all your devices together or switch on the Modular Smart Switch last.

5.6 Enabling Computers

Computers Connected to Parallel Ports

Parallel interfaces do not normally need to be configured. For IBM PCs running DOS, make sure that PC timeouts do not occur if the Modular Smart Switch's buffer becomes full. This can be done using the MODE command as follows. Refer to your DOS manual for details.

MODE LPT1: , , P

Computers Connected to Serial Ports

Each computer must communicate with the Modular Smart Switch in the format expected by the port it is connected to. The baud rate, parity, bits per character, stop bits, and handshake format must be the same on the computer and the Modular Smart Switch port. Your computer instruction manual will tell you how to set up these parameters.

For IBM PCs and compatibles, the MODE command is used to select the correct parameters. With the default option-switch settings and output on COM1, the MODE command is:

MODE COM1:9600,N,8,1,P <enter>

This sets the baud to 9600, no parity, 8 bits per character, and 1 stop bit on COM1. You may wish to put this in your computer's AUTOEXEC.BAT file. You may wish to use the supplied software to enhance the speed and functionality of your serial port (refer to **Chapter 7** for full details on the benefits of using the software utility).

ADMODE COM1:57600,N,8,1 <enter>

If you have more than one port on your PC, make sure that your printout is sent to a port that is connected to the Modular Smart Switch. For IBM compatible PCs, DOS will prompt you to specify the printer port the first time you issue a print command. If you are using a parallel port (LPT1, LPT2, or LPT3), you can print directly without any further setup. If you are normally using a serial port to output print data, you may wish to redirect the parallel port data to output on the serial port, using the MODE command. The following example will set your PC to send all LPT1 data to COM1.

MODE LPT1:=COM1:

If you are going to plot/print from DOS, make sure that the computer cannot timeout if the buffer on the Modular Smart Switch becomes full. This could cause errors on your plots or an error message to be displayed on your screen. To avoid this, make sure that you have issued a MODE command with the P option set. If you wish to run your serial port at a high baud rate and make sure that no computer times out, you can use the MODE and ADMODE commands together. The ADMODE protocol will always override the MODE protocol. The following example would set COM1 to 57600 baud, no parity, 8 bits, 1 stop bit, and no application timeout.

MODE COM1:9600,N,8,1,P <enter>

ADMODE COM1:57600,N,8,1 <enter>

NOTE

If you are sending plot/print data from IBM compatibles using a serial port, make sure that your AUTOEXEC.BAT includes both the MODE (with P option) and ADMODE commands relevant to that port.

5.7 Using the Modular Smart Switch

Printer and Plotter Sharing Applications

The Modular Smart Switch is now ready for use as a printer sharer for the printer attached to port 1. Data sent in from any computer will automatically be sent to this port.

Users can print simultaneously, and the Modular Smart Switch will buffer the information until it can be sent to the default printer/plotter. All data from one source is treated as a single printable file until there has been a break in the transmission for more than the timeout period (see **Section 4.1**).

If two or more printers/plotters are connected to the Modular Smart Switch, you will need the software (see **Chapter 6**) or software commands (see **Chapter 9**) to select between them. Other options and facilities are also detailed in these two sections.

General Datacomm Applications

Once you are communicating correctly with the Modular Smart Switch, you can select between ports by sending ASCII command strings. In addition to the data destination, these ASCII command strings can be used to select the timeout period, "broadcast" data to several ports, and make/break permanent (no timeout) connections. The serial ports on the Modular Smart Switch are bidirectional. Refer to **Chapter 7** for details on how to use the command strings and the connection options available.

5.8 Port Indicators (1 to 12)

The port indicators can be off, on, or flashing.

- *Off*—When a port indicator is off, nothing is being transferred into or out of that port and no data is available.
- *On*—The port indicator is on when data is available. If data has been sent in on a port, the activity light will remain on until the port has timed out (after no data has been sent for the timeout period).
- *Flashing*—While data is being transferred either into or out of the Modular Smart Switch, the activity indicator will flash.

5.9 Buffer Status Indicators

The buffer status indicators show the state of the internal buffer memory in the form of a bar graph:

- $\frac{1}{4}$ *Indicator*—Buffer is over 1/4 full
- $\frac{1}{2}$ *Indicator*—Buffer is over 1/2 full
- $\frac{3}{4}$ *Indicator*—Buffer is over 3/4 full
- *F (full) Indicator*—Buffer is completely full

If the buffer often fills to the $\frac{3}{4}$ level, consider purchasing additional memory for increased performance.

NOTE

The Modular Smart Switch will always operate correctly even if the buffer becomes full. If you have any problems when the buffer memory is full, check the handshaking settings on your equipment and your cabling.

6. Using the Control Software

The control software is located on the disk supplied with your Modular Smart Switch. It provides an easy and user-friendly way of operating the switch. It is designed for use on IBM compatible PCs using CGA, EGA, VGA, and monochrome adapters (it will also run on adapters that emulate the modes used by these adapters). Its primary function is to enable destination devices to be selected.

Installing the utility in your PC's memory as a "resident program" allows you to "pop up" the control software program at any time using a "hotkey" combination. The utility supports options that allow the software to run as a non-resident program from the DOS prompt (see **Section 6.2**) and while in the Microsoft Windows environment (see **Section 6.4**).

6.1 Installing the Resident Software

Copy the program ADMENU.COM from the disk to the current directory on your PC.

At the DOS prompt, type ADMENU <enter>

The program will respond by printing an identification message. This command only needs to be issued once. You may therefore find it convenient to include it in your AUTOEXEC.BAT file. To invoke the ADMENU software, press these three keys together:

<CTRL><ALT><SHIFT>

NOTE

You can change the hotkey combination used to invoke the ADMENU software if required (see **Section 6.3**).

6.2 Running the Control Software from the DOS Prompt

Copy the program ADMENU.COM from the disk to the current directory on your PC.

At the DOS prompt, type ADMENU /N <enter>.

6.3 Command-Line Options

The control software supports a number of command line options that allow the utility to be installed and run in several different formats. They also allow a number of default settings to be changed and different hotkey combinations to be selected. Options are specified after a forward slash on the command line. Any number of options can be specified. For example, the following command line would install the utility for use in text modes with COM2 as the default port and the hotkey combination set to <CTRL><SHIFT>.

```
ADMENU /T /C2 /H2
```

The options available are summarized below. The default settings (shown in brackets) are assumed for all the options that are not specified.

/U (No default)

Deletes the utility from memory.

/T and /G (/G default)

The /G option allows the resident software to be used in both text and graphics modes. When installed with the /G option, the software will occupy 22K of memory. Installing the software with the /T option allows the control software to be used in text modes only, and the memory requirement is reduced to 10K. The memory size used is confirmed in the installation message.

/Lx and /Cx (/L1 default) x=1, 2, or 3

These options specify the PC port that is displayed when the control software is initially invoked (either COM1, COM2, LPT1, LPT2, or LPT3). The number of the required port is specified after the letter C or L: C for serial, L for parallel. The port to be used can be specified once the software has been invoked using the PC PORT function and so these options are primarily for convenience only.

/Hx (/H1 default)

This option allows the hotkey combination that invokes the resident control software to be changed. There are 5 possible options. The desired option is selected by specifying the corresponding number after the letter H. The available hotkey combinations are as follows.

```
/H1 selects <CTRL><ALT>
<SHIFT>
/H2 selects <CTRL><SHIFT>
/H3 selects <CTRL><ALT>
/H4 selects <CTRL><ALT>
/H5 selects <LEFT SHIFT>
<RIGHT SHIFT>
```

<SHIFT> can be either the left or the right shift key. The selected combination is confirmed in the installation message.

```
/N and /R      (/R default)
```

These options allow the control software to be run as a non-resident utility. To do this, use the /N option. To install the menu as a resident program, use the /R option.

```
/M      (standard color default)
```

The /M ensures that the menu appears in mono mode. This option is provided for compatibility with certain types of monochrome screens found on some LAPTOPS and other computers. If the control software's menu bars are faint or non-existent on your screen, then install the software using the /M option.

6.4 Running the Control Software from within Microsoft® Windows®

By using an additional utility (HOTKEY), you can invoke the resident control software within Windows. It is equivalent to pressing the hotkey combination that would normally be used to launch the control software.

Hotkey-activated programs cannot be used from the Windows desktop, since Windows takes over full control of the keyboard, effectively locking other programs out. HOTKEY overcomes this problem by allowing the software to be invoked from an icon (or file name) while at the Windows desktop. HOTKEY remembers previous settings and retains these between applications. On some computers with additional memory, HOTKEY will run within a window. Switching to a full-screen application while within Windows, or quitting from Windows, will enable the hotkey combination to invoke the menu.

To use HOTKEY within Windows, you must first install the control software in your computer's memory. Do this before you run Windows, because once you are within Windows, resident programs cannot be loaded. You can then activate HOTKEY by clicking on HOTKEY.COM, HOTKEY.PIF, or an icon associated with these files.

The control software can also be run as a non-resident utility from the Windows desktop. To do this, click on ADWIN.PIF or an icon associated with this file.

NOTE

For Windows 3 users, the easiest way to create an icon associated with HOTKEY.COM is to make a copy of a current file on the desktop and then to edit the properties of that file. For example, change the description to ADMENU and the group file command line to C:\WINDOWS\HOTKEY.COM.

6.5 Using the Control Software

Invoking the control software will cause a menu to appear on the screen. You can select options from the menu using the <up> and <down> cursor keys and the <enter> key.

- Use the <up> and <down> cursor keys to highlight the options in the menus.
- Use <enter> to select a highlighted option.
- Use <escape> to quit from any menu or the application.

6.6 Main Menu

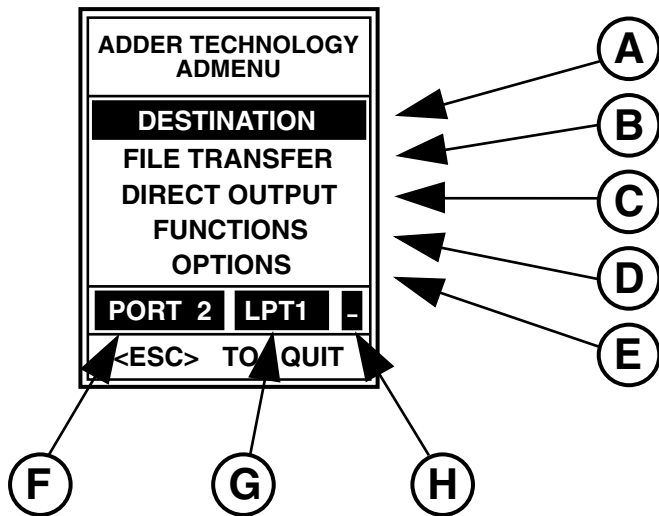


Figure 6-1. Main Menu.

- A. Destination—Used to connect your computer to the required printer, plotter, modem, or other device (see Section 6.7).
- B. File Transfer—Used to connect through to other computers and set the Modular Smart Switch to file-transfer mode. This option should only be used to establish links for file-transfer purposes—use the DESTINATION option for all other applications (see Chapter 8). File transfer is only available on serial ports.
- C. Direct Output—Used to output characters and control codes directly from your keyboard (see Section 6.8).
- D. Functions—Allows you to clear data, form feed the printer or end a long timeout (see Section 6.9).
- E. Options—Used to select the number of copies, timeout period, and the PC port that the menu is to control (see Section 6.10).

- F. Destination Port—Indicates the port on the Modular Smart Switch that your PC is currently connected to. All data output from the currently selected PC port (G) will be routed to this destination port on the Modular Smart Switch.
- G. PC Port—Indicates the port on your PC that the control software will use to send control commands to your Modular Smart Switch. Make sure that the port that is physically connected to the Modular Smart Switch is displayed in this box.
- H. Mode—Indicates whether normal mode or file-transfer mode is currently selected. In normal mode, a dash (-) will be displayed. In file-transfer mode, a flashing arrow will be displayed. The mode in use is set automatically when you select a destination port using the DESTINATION (normal mode) or FILE TRANSFER option.

6.7 Selecting a Destination Printer, Plotter, or Modem

The control software initially assumes that the Modular Smart Switch is connected to the PC with a parallel link to LPT1. (Other default ports can be specified using the /L or /C command-line option—see Section 6.3.) If a different parallel PC port has been connected (LPT2, LPT3) or one of the serial PC ports (COM1 or COM2), then you must first select that port—see Section 6.10.3. Where several links are made to the same PC, then you first need to make sure that you have selected the PC port that you wish to use to print data.

With the dialog box displaying the correct PC port and DESTINATION highlighted, press <enter>. A new box will appear as shown below. Enter the desired destination port number, then type <enter>. All subsequent print data that is sent out on the currently selected PC port will be routed to the device attached to the specified destination port on the Modular Smart Switch. For example, selecting port 1 will send data to the device attached to port 1 on the Modular Smart Switch. The currently selected routing will be displayed on the main menu.

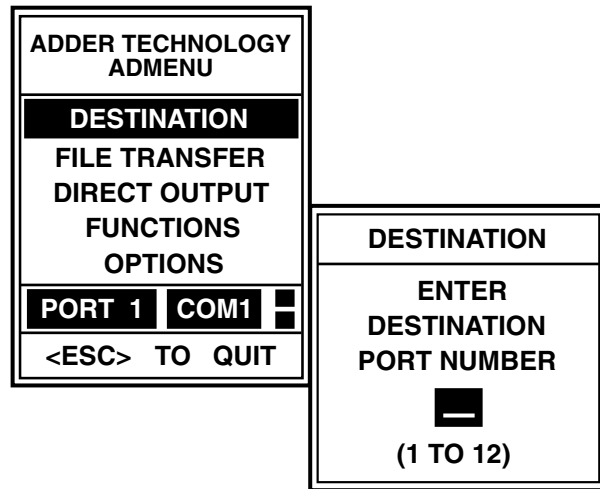


Figure 6-2. Selecting a Printer.

- Use <esc> to abort and quit to the main menu, <enter> to confirm.
- Enter the destination (the port on the Modular Smart Switch that is connected to the required printer, plotter, or modem).
- Valid port identifiers are 1 to 12, depending on how many ports you have installed.

6.8 Direct Output of Typed Keyboard Characters

Normal keyboard characters and control characters can be sent to the printer using the “Direct Output” option. In the keyboard characters box, all characters typed will be sent directly to the printer except <up>, <down>, and <escape>. Control characters such as those to set condensed or bold printing can be specified in hexadecimal ASCII format. In the hexadecimal ASCII characters box, the specified character is sent when you press <enter>.

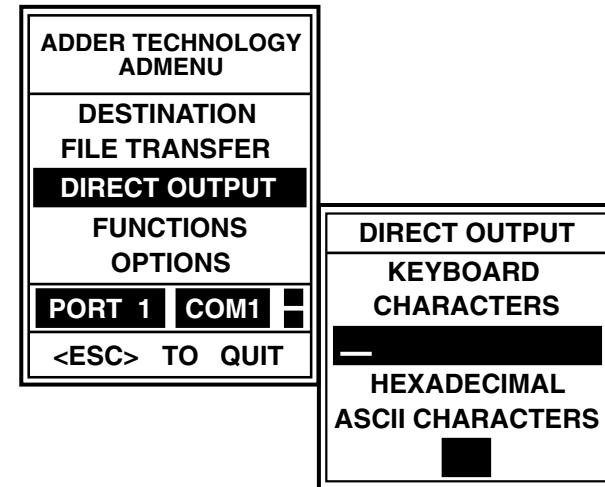


Figure 6-3. Direct Output Menu.

Use <esc> to quit to the main menu.

NOTE

Characters such as line feeds are displayed using an unusual set of non-alphanumeric characters.

6.9 Using the Functions Menu

To enter the functions menu, use the <up> and <down> cursor keys on the main menu to highlight FUNCTIONS, and press <enter>. The functions menu now allows you to send form feeds, clear unwanted data, and end long timeouts.

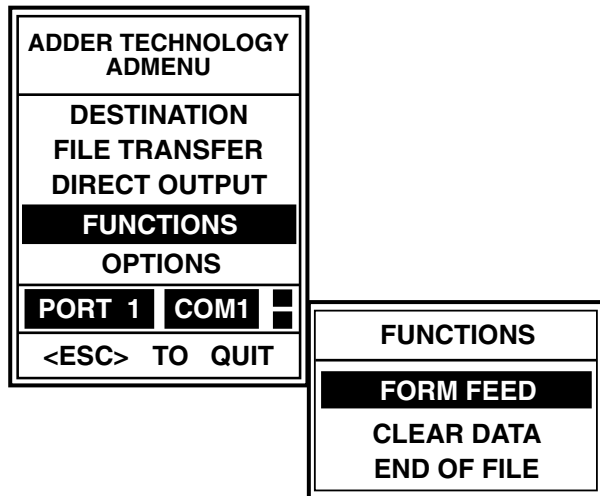


Figure 6-4. Functions Menu.

Use <esc> to quit to the main menu.

6.9.1 SENDING A FORM FEED

This is a convenient way of causing a printer to take a new page, without having to go to the printer and press the form-feed button. In the functions menu, use the <up> and <down> cursor keys to select FORM FEED and then press <enter>. The dialog box will respond with FORM FEED SENT for a few seconds.

6.9.2 CLEARING UNWANTED DATA

To delete all the data that has been sent from the current PC port, select the CLEAR DATA option and press <enter>. A box will appear requesting confirmation. Type Y if you wish to delete all data, or N or <escape> if you don't. This command will not affect any data sent from a different computer.

6.9.3 ENDING LONG OR INFINITE TIMEOUTS

When an infinite (OFF) timeout has been set, an end of file instruction needs to be sent to the Modular Smart Switch to allow other users to access the currently selected device. The END OF FILE function can be used to do this.

When in the functions menu, use the arrows to select END OF FILE and then press <enter>. The dialog box will respond with an END OF FILE message for a few seconds. The END OF FILE function can also be used to end long timeouts.

6.10 Setting the Options

To enter the options menu, use the <up> and <down> cursor keys on the main menu to highlight OPTIONS, and press <enter>. The options menu now allows you to select multiple copies, change the timeout, and change the PC port.

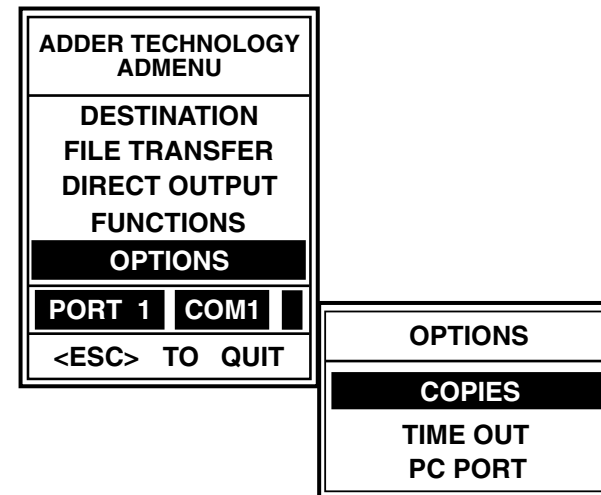


Figure 6-5. Options Menu.

Use <esc> to quit to the main menu.

6.10.1 MULTIPLE COPIES

The Modular Smart Switch can generate multiple copies automatically. Simply select the COPIES option, enter the number of copies required (up to 255) in the entry box and press <enter>. Send the document once, and when it has timed out (no more data sent for at least 16 seconds or the timeout period), the Modular Smart Switch will commence printing the extra copies. The entire document must be less than the buffer memory in the Modular Smart Switch; otherwise only one copy can be produced.

6.10.2 CHANGING THE TIMEOUT

The timeout period can be varied from the default of 16 seconds to any value between 1 and 255 seconds, or it can be permanently off. To do so, select the TIMEOUT option and type the required value into the entry box. Press <enter> to return to the options menu. To return to the default value of 16 seconds, press <escape>.

6.10.3 SELECTING A PC PORT

If the correct PC port is not shown on the main menu (G in **Figure 6-1**), then use the PC PORT option to select this. Highlight the PC PORT option and type <enter>. Use the <up> and <down> cursor keys to select the desired port (highlighted) and then press <enter>. The PC port you have selected will now be displayed.

NOTE

The control software defines the routing from the selected port on your PC—it does not set the port that your software will use for output.

7. Serial Port Control Utility

The control software allows serial ports on IBM compatible PCs to be run at the high baud rates supported by the Modular Smart Switch. The utility can be used to control COM1 or COM2 and supports a wide range of protocols. The time-saving advantages of running serial ports at higher baud rates can be quite dramatic, and the control software makes sure that the correct protocol is used regardless of the settings on the application program.

Although DOS will normally only support baud rates up to 9600, most PCs are capable of running at much higher speeds of 19,200, 38,400, or 57,600 baud. A number of high-baud-rate utilities are available that act like the DOS MODE command. But these can be of little practical use, since many application programs change the baud rate and protocol when they run.

The control software overcomes this problem by preventing application programs from changing the baud rate or protocol of the serial port being controlled. This has two major advantages. First, the user does not need to worry about setting the baud rate and protocol in the application program. Second, high baud rates can be used for plotting from packages that would normally only support lower baud rates.

To run the control software, copy the program ADMODE.COM from the utility disk to a suitable directory on your PC. At the DOS prompt, type a command in the following format.

ADMODE COM*n*: *baud*, *parity*, *databits*, *stopbits*

You only need to include a parameter after *baud* if it needs to be changed from the default values shown in **Table 7-1**. The minimum command syntax is:

ADMODE COM*n*: *baud*

Example

To set serial port 1 (COM1) to 38400 baud, 8 data bits, 1 stop bit, and no parity, use the following command.

ADMODE COM1:38400,N,8,1 <enter>

High-Baud-Rate Limitations

In practice, almost all modern PCs will support baud rates of 38,400. However, a number of PCs that we tested were not able to support baud rates of 57,600 because of the design of their serial ports. If you have problems with particular PCs, try reducing the baud rate.

Increasing the baud rate of serial connections reduces the maximum cable lengths. As a rule of thumb, doubling the baud rate halves the maximum distance. At 57,600 baud, try to limit the cable lengths to about 50 ft. (15 m).

If you have problems using the control software, reduce the baud rate. In practice, 38400 baud is a “safe” setting for most applications.

Table 7-1. Parameter Settings.

Parameter	Options	Entered as	Default
n	1 or 2	COM1:, COM2:	—
baud	300, 1200, 2400, 4800, 9600, 19200, 38400, 57600	300, 1200, 2400, 4800, 9600, 19200, 38400, 57600	—
parity	odd, even, none	O, E, N	N
data bits	7 or 8	7, 8	8
stop bits	1 or 2	1, 2	1

Using the Control Software with Windows Version 3.1

Windows version 3.1 supports fast printing directly to a port. If you are using Windows 3.1 and printing to a serial (COM) port, interaction problems can occur with the control software program if Windows is not set up as detailed below.

If you are using the control software program to control the baud rate and protocol of COM1 or COM2 and you are using Windows 3.1, make sure that:

EITHER:

a) The COM port is set up within Windows 3.1 to use the same baud rate and protocol as that used by the control software. (You can change the COM port protocol using the Control Panel utility within Windows 3.1. Baud rates of 38400 and 57600 can be selected by typing these values into the baud-rate selection box.)

OR:

b) The Fast Printing Direct to Port option is switched off within Windows 3.1. This can be found within the CONTROL PANEL PRINTERS CONNECT window.

8. Using the Modular Smart Switch to Transfer Files

The Modular Smart Switch can be used to transfer files between PCs connected to the serial ports. This can be done using standard file-transfer software such as Fastlynx, Laplink, ProComm[®] +, or Kermit.

NOTE

The file-transfer facility can only be used between computers that are connected to the Modular Smart Switch via an RS-232 or RS-422 serial link.

8.1 Transferring Files Between IBM[®] Compatible PCs

To transfer files between two PCs connected to the Modular Smart Switch, follow the steps below.

NOTE

Before you use your Modular Smart Switch to transfer files, make sure that you have installed the control software on both PCs.

1. Activate the control software on the first PC.) You can activate the control software by using the hotkey combination or by running the program HOTKEY.COM from the DOS prompt or from within a batch file.) Select the File Transfer option on the main menu. Enter the serial port on the Modular Smart Switch that is connected to the second PC. The main menu will be displayed as shown in **Figure 8-1**.

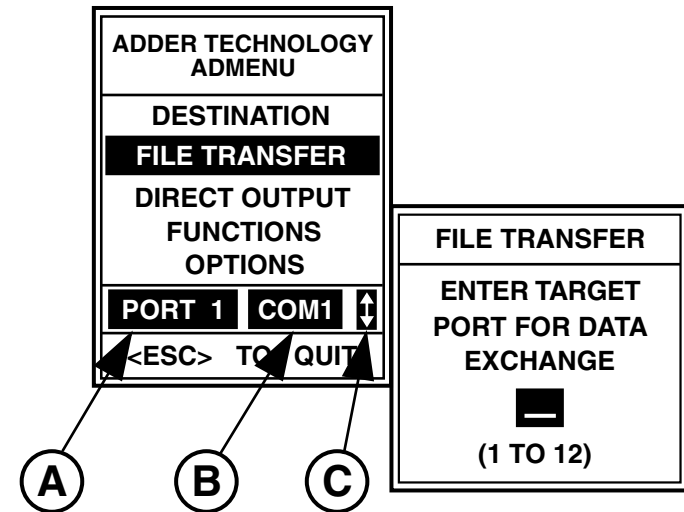


Figure 8-1. Main Menu.

A=The port on the Modular Smart Switch that is connected to the computer that you wish to exchange files with.

B=The port on your computer that is connected to the Modular Smart Switch.

C=A flashing arrow to indicate that the Modular Smart Switch is in “file-transfer mode.”

2. Boot up the file-transfer software on the first PC.
3. Activate the control software on the second PC. Select the File Transfer option on the main menu. Enter the port on the Modular Smart Switch that is connected to the first PC.
4. Boot up the file-transfer software on the second PC.
5. Follow the instructions for your file-transfer software.
6. Quit from the file transfer software on both PCs.

When using file-transfer software, make sure that you have selected the target PC before you boot up your file transfer software. Failing to do this could cause unwanted data to be sent to your printer/plotter. To make sure that this does not occur it is advisable to activate the control software and your file-transfer software from a batch file. This will cause the control software to appear automatically before you boot your file-transfer software. A suitable batch file for Kermit would be as follows:

```
REM The next line activates ADMENU
HOTKEY
REM The next line activates the file-transfer software
KERMIT
```

8.2 Using the Control Software with File-Transfer Software

The control software supplied with your Modular Smart Switch should be used together with file transfer software. The control software allows you to increase the baud rate for all normal printing and plotting operations, so you can use the higher baud rates that are supported on many file transfer programs without having to reconfigure the ports on your Modular Smart Switch. Using higher baud rates will considerably reduce the time taken to transfer files. For more details on the use of the control software, see **Chapter 7**.

8.3 Transferring Data Between PCs Not Compatible with IBM

To transfer files between computers not compatible with IBM, you will need to send a software command from each computer to make sure that the data is routed correctly. For maximum compatibility, you are advised to send a software command with the format shown below (“port” is a port number from 1 to 12):

```
<PM CONNECT port SOFTWARE:SLEEP TIMEOUT:2>
```

The SOFTWARE:SLEEP and TIMEOUT:2 parts of this command are not strictly necessary for certain types of file transfer. For many file-transfer programs such as Kermit, it is adequate to send a single connection command from one of the computers to establish a bidirectional link. For example, when using Kermit to exchange files between a PC and a Macintosh, sending the following command from the PC would establish a suitable bidirectional link.

```
<PM CONNECT port TIMEOUT:OFF>
```

8.4 General Hints and Tips

1. Always use the control software when using file-transfer software: Many packages such as Laplink Pro will not operate without the control software installed.
2. File transfer requires a protocol of 8 bits per character, 1 stop bit, no parity, and hardware handshaking. When using RS-232 with hardware handshaking, make sure that pins 4 and 5 are connected on the Modular Smart Switch end of your computer cable. XON/XOFF handshaking may also be used, but overall performance is reduced.
3. When using PC-to-PC file transfer, use similar baud rates on both PCs. For example, combinations of 57600 baud and 38400 baud will be reliable, whereas combinations of 57600 and 9600 are likely to be unreliable. If in doubt, use the same baud rate on both PCs. (Similar baud rates are required because most file-transfer programs do not support handshaking—they do not allow the rate of data flow to be controlled.)

9. Software Commands

9.1 Introduction

The Modular Smart Switch can be controlled by sending software commands to it from any computer (serial or parallel). These commands let you change to switch between ports and give access to some more advanced features of the Modular Smart Switch. The control software (see **Chapter 6**) for use with IBM PCs automatically generates the required software commands. This section gives the format and purpose of each command.

All software commands have the following format:

```
<PM command {parameters}>
```

The command must begin with the three characters <PM and end with a single character >. In the following text, UPPER CASE is used to represent a keyword, for example, CONNECT. Anything that is in {brackets} is optional. Text that is in lower case should be replaced by the keyword or option that it represents.

For example, the command to connect to channel 2 (serial) would be as follows:

```
<PM CONNECT 2>
```

A string of characters will only be recognized as a command if all the characters are correct, thus making confusion with normal text extremely unlikely. Software commands should be sent to the Modular Smart Switch as a string of ASCII characters. A suitable way of doing this would be to create a file containing the required command, and "print" it when needed, though there are many other possibilities such as inserting the required selection string at the top of a word processor document (refer to your computer manuals). Users of IBM compatible computers can create batch files that send software commands (see **Section 9.5** for notes on how to create these).

Items in a software command can be separated by spaces, tabs, line feeds, or form feeds; however, only one of these may be used between each item. In the following sections, references to single spaces apply equally to single tabs, single line feeds, and single form feeds.

9.2 Connect Command

9.2.1 SELECTING A DESTINATION PORT

By default, the Modular Smart Switch automatically sends all data to port 1. To send data to a different port or route back to port 1, use the following command:

```
<PM CONNECT port>
```

where "port" represents a port number from 1 to 12.

The new destination will now be used for all subsequent data sent into the port that gave the command until either a new command is sent, or the Modular Smart Switch is powered off.

9.2.2 PRINTING SEVERAL COPIES

If several copies of a document are required, you do not need to send the file repeatedly. The connect command allows up to 255 copies to be generated from a single file. The format of the multiple copy command is:

```
<PM CONNECT port:copies>
```

To print three copies of a file on the printer/plotter attached to port 1, the command becomes:

```
<PM CONNECT 1:3>
```

NOTE

The extra copies will not begin to be printed until the Modular Smart Switch has accepted the whole file into its memory. This is normally when no further data has been received for the timeout period, which is initially set to 16 seconds. The timeout may be altered or switched off if necessary (see Section 9.2.4). Alternatively, an end-of-file command will tell the Modular Smart Switch that it now has the whole file (see Section 9.4). If the file is too large to fit inside the buffer, then you cannot print more than one copy.

9.2.3 BROADCASTING DATA TO SEVERAL DEVICES

To set the Modular Smart Switch to broadcast data to several ports simultaneously, use the CONNECT command and specify a list of ports that the data is to be sent to (up to 4 in total). Separate the port numbers with a space. The multiple copy CONNECT command can also be repeated in this way. For example, to print two copies on port 3 and one copy on port 1 of every file sent from the computer, issue the following command:

```
<PM CONNECT 3:2 1>
```


9.2.4 VARYING THE TIMEOUT PERIOD

The timeout sets the length of time that the output port remains dedicated to the input port once the incoming data has ceased. It can be set to any number of seconds between 1 and 255, or it can be switched off. With the timeout off, the output channel remains constantly dedicated to the input channel until an end of file command (see **Section 9.4**), or a new connect command is sent. The timeout remains as set until it is changed again, or the Modular Smart Switch is powered off.

To change the timeout, a connect command is sent with the timeout option specified after the required destination port, as follows:

```
<PM CONNECT port TIMEOUT:value>
```

The timeout value is either a number 1 to 255 or the word OFF. For example, if a computer requires uninterrupted use of the printer connected to port 1 until further notice, the command below would be sent:

```
<PM CONNECT 1 TIMEOUT:OFF>
```

9.2.5 DISABLING SOFTWARE COMMANDS

When communicating with another computer using a file-transfer protocol such as that used by Laplink or Xmodem, you can temporarily turn off the command interpretation while files are being transferred. This is because some of these protocols expect a checksum character to be sent back as an acknowledgement after a block of data has been sent. If this character happens to be the start character (<) of a software command, a delay can occur that may cause the transfer software to time out. To make sure that this does not happen, you can set the Modular Smart Switch to ignore software commands during file transfer. To do this, use the “software sleep” command. Once a “software sleep” command has been sent, the Modular Smart Switch will not interpret new commands until the data transfer has timed out. This will occur after no data has been sent for the timeout period. To set “software sleep” mode, send the following command:

```
<PM CONNECT port SOFTWARE:SLEEP>
```

To restore normal software command interpretation, send the following command when the data has timed out.

```
<PM CONNECT port SOFTWARE:ENABLE>
```

Software command interpretation can also be permanently disabled using the following command. Once this command has been issued, no software commands will be interpreted until the Modular Smart Switch has been reset (by switching the power off).

```
<PM CONNECT port SOFTWARE:DISABLE>
```

9.2.6 REMOVING LINE FEEDS AT END OF SOFTWARE COMMANDS

When programming applications such as DBASE to automatically send data to a specific printer, you might want to remove linefeed and carriage-return characters that are automatically inserted by the application at the end of the software command. To do this, add an “ignore” instruction to the software command as follows:

```
<PM CONNECT port IGNORE>
```

When the Modular Smart Switch receives such an instruction, it will delete the line feed (CR or LF or both) following the software command.

9.3 Clear Command

The clear command allows a computer to delete any data that has been sent into the Modular Smart Switch that has not yet been printed. As with all software commands, this only affects the data from the computer that sends the command. The format is:

```
<PM CLEAR>
```

9.4 End-of-File Command

Sending the end-of-file command terminates the present input file. It is used when the timeout option has been set “off,” since it will allow other computers access to the printer. If multiple copies are required, the end-of-file command indicates the end of the document. A new command will also automatically terminate the present input file. The format used for the end-of-file command is as follows:

```
<PM EOF>
```

9.5 Creating Batch Files to Send Commands (IBM Compatible PCs)

On IBM compatible PCs, batch files are a convenient way to send commonly used software commands. To create batch files, proceed as follows:

At the DOS prompt, type:

```
COPY CON: {name}.TXT [enter]
<PM CONNECT {channel number} >[function key 6]
```

Where {name} is the name of the batch file that you are going to create and {channel number} is the number of the port that you are going to connect to. For example:

```
COPY CON: CONNECT2.TXT [enter]
<PM CONNECT 2>[function key 6][enter]
```

No spaces should be typed after the close angle bracket and before the function key 6 is pressed. When function key 6 has been pressed, a ^Z will appear on the screen at the end of the line. When the enter key is pressed, the screen will display:

```
1 File(s) copied
```

This indicates that a file {name}.TXT has been created that contains the software command text. It is not normally possible to use a word processor to create this file, since most word processors insert a line feed and carriage return at the end of each line. A file created with these extra characters could upset your printouts by inserting a blank line at the top of your printout page. This could cause laser printers to output a blank page and label printers to be offset by one line.

At the DOS prompt, type:

```
COPY CON: {name}.BAT [enter]
TYPE {name}.TXT > {pc printer port}: [function key 6] [enter]
```

Where {name} is the name of the batch file that you are going to create and {pc printer port} is the port that you wish to be routed to the required printer—COM1, COM2, LPT1, LPT2, or LPT3. For example:

```
COPY CON: CONNECT2.BAT [enter]
TYPE CONNECT2.TXT>COM1: [function key 6][enter]
```

As before, the screen will display “1 File(s) copied,” which indicates that a batch file {name}.BAT has been created containing the text “TYPE {name}.TXT>{pc printer port}:.”

To send the software command that you have created in {name}.TXT, type the batch file name at the DOS prompt. The above procedure can be used to create a batch file to send any software command to any of your PC’s ports.

9.6 Sending Default Start-of-Day Destination Ports

At the start of each day, each port will be routed through to port 1. However, for IBM compatible PCs, individual start-of-day destinations can be set for each computer. To do this, create a text file containing the desired selection command (see **Section 9.5**) and modify your AUTOEXEC.BAT file to send this command when your computer powers on. For example, by including the line “TYPE CONNECT2.TXT>COM1:” in your PC’s AUTOEXEC.BAT file (after copying CONNECT2.TXT from the utility software disk to a suitable directory on your PC), you can set the start-of-day default port for your computer to be number 2.

10. Troubleshooting

The Modular Smart Switch is designed to a high standard and all units are fully tested before leaving the factory. There are no user-serviceable parts. If a fault persists, please contact technical support.

10.1 Self-Test at Power-On

The Modular Smart Switch automatically tests its basic operation when it powers on. The buffer indicators flash for a few seconds while the test is being conducted and go out when the test has passed. If the buffer indicators do not flash or do not go out, then there may be a problem—consult technical support.

10.2 Parallel Interfaces—No Data Transmitted through the Switch

If you have problems transmitting data through the switch using parallel interfaces, make sure that the direction (input or output) has been set correctly—see **Section 4.2**. If you have any problems in transmitting to parallel ports, do not use the automatic in/out detection setting, because this is not guaranteed to work with all printers.

The channel indicators show whether data is being routed correctly from one port to another.

10.3 Parallel Interfaces—Corrupted, Extra, or Lost Data

Problems with corrupted data when using parallel communication are rare. When problems do arise, they are mostly cabling problems. Avoid using ribbon cables. Use shielded cables and keep the length to 22.9 ft. (7 m) or less where possible. Problem cables can cause occasional data corruption and spurious page feeds on laser printers.

10.4 Problems Interfacing Serial Devices

Most problems experienced with connecting serial devices are caused by incorrect cabling or incorrect handshake/protocol settings. Do not assume that, because a cable has the correct connectors and works between two other devices, it will work when connected to the Modular Smart Switch. Always use the cabling specified in this manual (see **Appendixes A and B**). Incorrect cabling may cause many different problems, such as:

- No data transmission
- Loss of data, corrupted prints and plots
- Unreliable file transfer

10.5 Serial Interfaces—No Data Transmitted through the Switch

Check that you can send data between your devices using a direct connection. If you can't, check your devices. If you can, connect the Modular Smart Switch and try sending a small amount of test data.

If the input channel indicator comes on, then no data is being sent into the switch—check the cable between your PC and the Modular Smart Switch, and check that you are sending the data from the correct port on your computer.

If the channel indicator flickers or comes on, then data is being transferred into the Modular Smart Switch.

If no data appears to be transmitted out from the Modular Smart Switch, then check the cable between the switch and your output device.

If the channel indicators go out after the timeout period (usually 16 seconds), then all the data has been sent out of the switch. If nothing appears to have been received on your output device, then check the protocol (a protocol problem often causes the data to be changed into a stream of null characters).

10.6 Serial Interfaces—Corrupted Data

The most common cause of corrupted data when using serial interfaces is a handshake problem. If you experience corrupted data when using serial ports, check that the protocols set on your equipment are the same as those set on the Modular Smart Switch. If you are using hardware handshake, check that the hardware flow-control lines are connected on your cable.

10.7 Merged Printouts

If the output from one computer has been printed in the middle of that from another, you will probably need to increase the timeout period. When no data has been sent from one computer for the timeout period (by default 16 seconds), the Modular Smart Switch will allow another computer to start printing. To change the timeout period, use the control software (see **Section 6.10.2**) or send a software command (see **Section 9.2.4**). The default timeout period is set using the option switches on the main board (see **Section 4.1**).

10.8 Print Data Transmitted but File Transfer Fails

If you can print normally using your PC's serial port but file transfer fails, check the following:

- Make sure that the control software is installed.
- Make sure that the protocol is set to 8 bits, 1 stop bit, no parity.
- For hardware handshake, make sure that pins 4 and 5 are connected on the Modular Smart Switch end of the computer serial cable.

Appendix A: Serial Ports

A.1 RS-232 and RS-422 Pin Assignments

The serial ports on the Modular Smart Switch use DB25 connectors. The following table lists RS-232 and RS-422 pin assignments and signal descriptions. Those pins not appearing in the table are not used.

Table A-1. DB25 Serial Pinouts.

Pin	Description	RS-232	RS-422	In/Out
1	Protective ground (shield)	EARTH	EARTH	—
2	Transmitted data (data out)	TXD		Output
3	Received data	RXD		Input
4	Request to send—Always held HIGH	RTS		Output
5	Clear to send—flow control in (hardware handshake)	CTS		Input
7	Signal ground	GND		—
20	Data terminal ready—flow control out (hardware handshake)	DTR		Output
9	Flow control out (-ve)—hardware handshake		HSOUT -	Output

Table A-1 (continued). DB25 Serial Pinouts.

Pin	Description	RS-232	RS-422	In/Out
10	Flow control out (+ve)—hardware handshake		HSOUT +	Output
11	Received data (-ve)		RXD -	Input
12	Received data (+ve)		RXD +	Input
13	Transmit data (-ve)		TXD -	Output
15	Flow control in (-ve)—hardware handshake		HSIN -	Input
16	Flow control in (+ve)—hardware handshake		HSIN +	Input
25	Transmit data (+ve)		TXD +	Output

A.2 Connecting to Computers—RS-232 Connections

RS-232 serial ports on computers tend to vary considerably. The standard recommends a DB25 connector, but some machines, such as the IBM AT and compatibles, use a DB9 connector. Computer ports intended for connection to a modem are not configured like those intended for connection to a serial printer. Because of all these variables, a “standard” RS-232 cable does not exist.

NOTE

You might need to refer to the documentation supplied with your computer to establish the type of cable required. The following specifications may help you decide on the required cable.

A.2.1 RS-232 CONNECTIONS TO IBM PCs AND COMPATIBLES

The IBM PC and its compatibles provide a parallel port and (usually) an RS-232 serial port. Both use a DB25 connector. However, the parallel port is normally a socket (female) connector, and the serial port is normally a plug (male) connector. The cable wiring required for connection to a serial port on the Modular Smart Switch is shown in **Figure A-1**.

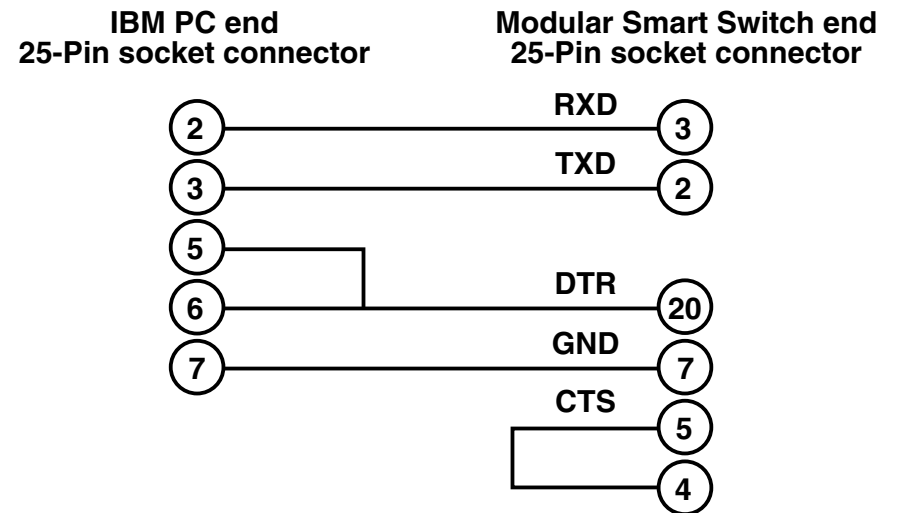


Figure A-1. IBM PC/XT Serial Cable Pinning.

If you already have a cable that works directly between your IBM PC and serial printer, it may be suitable for use as the input cable to your Modular Smart Switch.

A.2.2 RS-232 CONNECTIONS TO IBM AT AND COMPATIBLES

The IBM AT and compatibles provide a DB9 connector for the serial port. The cable required to connect to the Modular Smart Switch is wired as shown in **Figure A-2**.

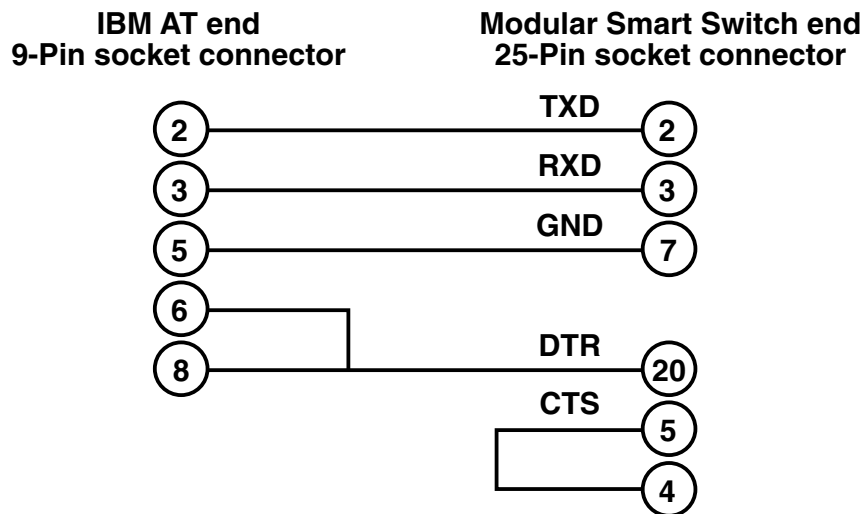


Figure A-2. IBM AT Serial Cable Pinning.

A.3 Connecting to Printers

Most serial printers provide a standard DB25 connector for serial data. The required cable wiring is shown in **Figure A-3**. This wiring configuration is suitable for many popular printers such as HP® LaserJet®, QMS, Brother®, and Epson® (with serial-port card).

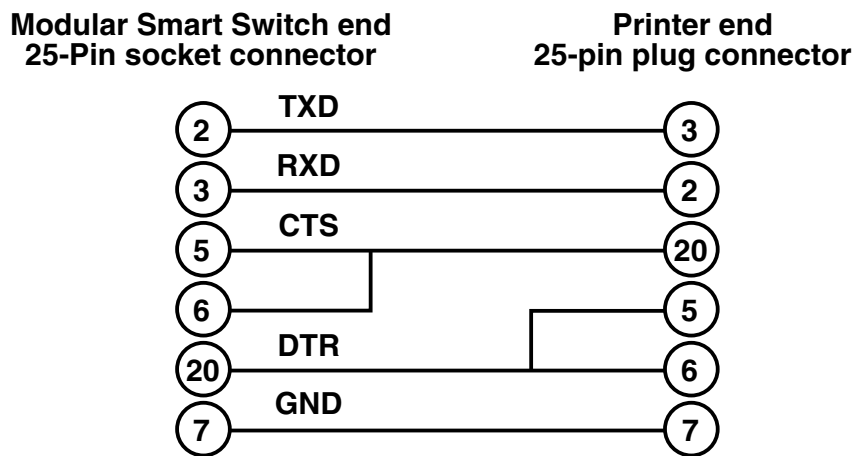


Figure A-3. Cable Pinout for Serial Printers.

A.4 Connecting to Modems

The cable shown in **Figure A-4** can be used to connect to most standard modems. Do not connect additional lines.

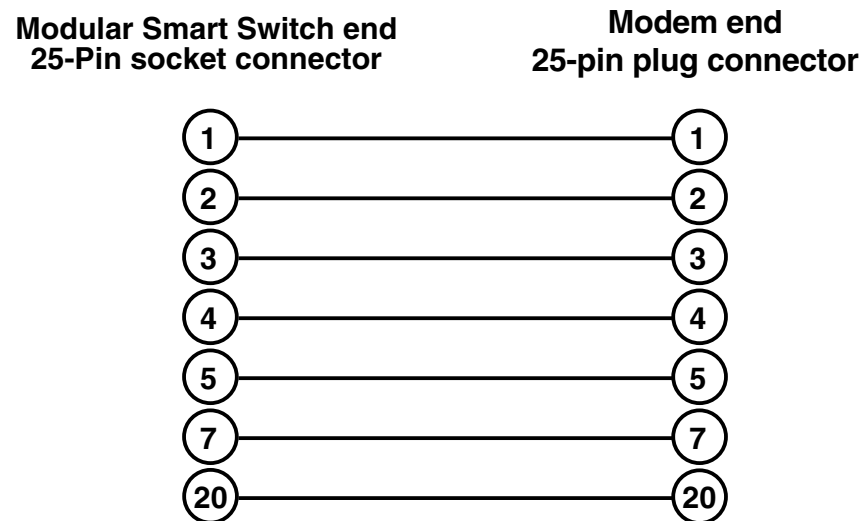


Figure A-4. Cable Pinout for Modems.

A.5 Connecting to Plotters

A wide range of different pin configurations are used on plotter serial ports. The following cable can be used for most plotters including those manufactured by Hewlett Packard and Roland. Notable exceptions are Calcomp plotters, which need a “straight-through” cable shown in **Figure A-4**. If you have a cable that currently works between your PC and plotter, then this can be used between the Modular Smart Switch and your plotter with the addition of an adapter.

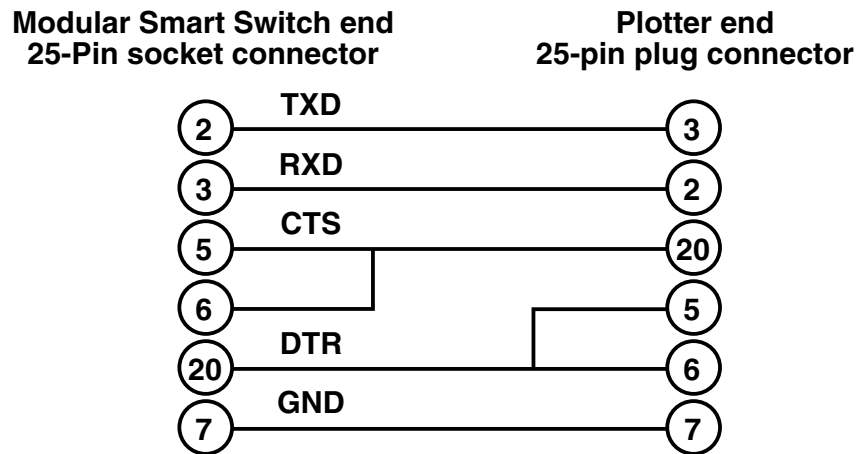


Figure A-5. Plotter Cable Adapters.

A.6 Connecting to NEC Spinwriter

The NEC Spinwriter® series of printers also provide a DB25 socket connector for serial data. However, their “printer ready” flow-control signal is output on pin 19 (unlike most printers, which output this signal on pin 20). Suitable wiring is as shown in **Figure A-6**.

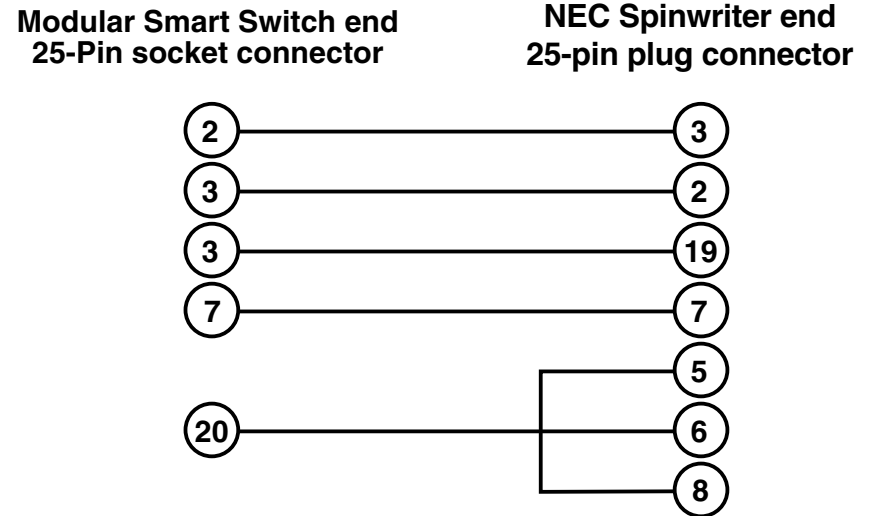


Figure A-6. NEC SpinWriter Serial Cable.

A.7 Connecting to DEC™ LN03 Laser Printer

The LN03 outputs its “printer ready” signal via pin 11, and so the wiring for the serial data cable is slightly different from those shown earlier. Switch bank 2, switch number 6, on the LN03 should be set to ON. This ensures that the “printer ready” signal is HIGH when ready and LOW when not ready, and not vice versa.

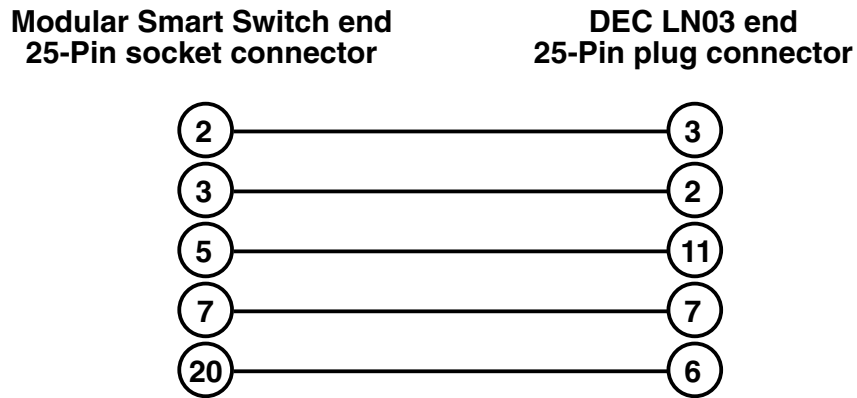


Figure A-7. DEC LN03 Serial Cable Pinning.

A.8 RS-422 Cables

The pins and connector types used for RS-422 communication vary widely between devices. Standard cables therefore do not exist. Connect the cable as shown in **Figure A-8**. For systems using XON/XOFF handshaking, only RXD +, RXD -, TXD +, and TXD - need to be connected.

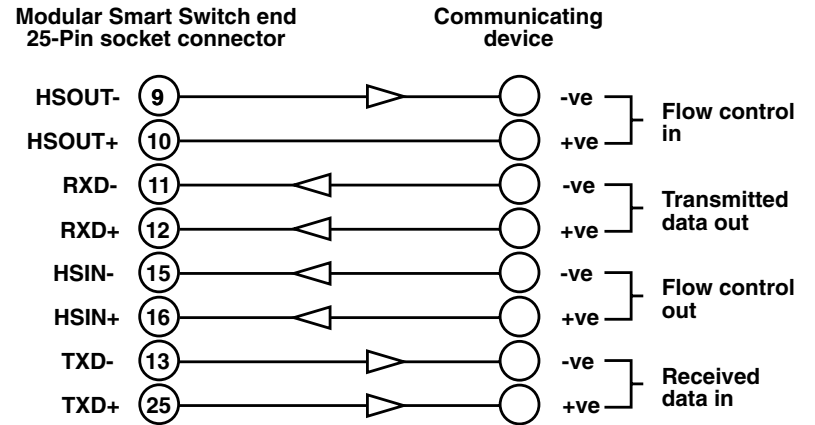


Figure A-8. RS-422 Cable Pinouts.

Appendix B: Parallel Ports

B.1 Parallel Pin Assignments

Each parallel port uses a DB25 socket connector, similar to the one on an IBM PC, PC/XT, or AT. **Figure B-1** shows the pin numbers as viewed from the rear of the Modular Smart Switch.

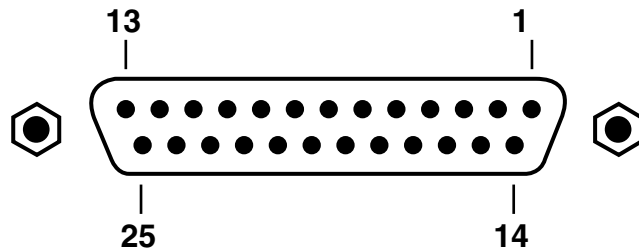


Figure B-1. DB25 Parallel Connector.

Table B-1. DB25 Parallel Connector Pinouts.

Pin	Name	Input from Computer	Output to Printer
1	STROBE	INPUT	OUTPUT
2-9	DATA 0 to 7	INPUT	OUTPUT
10	ACKNOWLEDGE	OUTPUT	no connection
11	BUSY	OUTPUT	INPUT
12	PAPER END	OUTPUT low	no connection
13	SELECT	OUTPUT high	no connection
14	AUTOFEED XT	no connection	no connection
15	ERROR	OUTPUT high	no connection
16	INIT	no connection	OUTPUT high
17	SELECT IN	no connection	OUTPUT low
18-25	SIGNAL GROUND	ground	ground

The cables need to have a DB25 connector for connecting to the Modular Smart Switch. If possible, the length should be kept below 22.9 ft. (7 m) to reduce interference.

B.2 Cable for IBM PC, PC/XT, AT, or Compatible

Parallel cables to connect from IBM compatibles to the Modular Smart Switch require a 25-pin plug on both ends. All lines should be connected “straight-through” (that is, 1 to 1, 2 to 2, etc.).

B.3 Cable to 36-Pin Amphenol Connector

A standard IBM Centronics® cable with a DB25 plug and a 36-pin Centronics plug is sufficient.

Free Manuals Download Website

<http://myh66.com>

<http://usermanuals.us>

<http://www.somanuals.com>

<http://www.4manuals.cc>

<http://www.manual-lib.com>

<http://www.404manual.com>

<http://www.luxmanual.com>

<http://aubethermostatmanual.com>

Golf course search by state

<http://golfingnear.com>

Email search by domain

<http://emailbydomain.com>

Auto manuals search

<http://auto.somanuals.com>

TV manuals search

<http://tv.somanuals.com>