



## **Port Powered RS-232 to RS-422 Converter, DB9F to DB9F**

### **Product Code IC1474A-F**

This is a port-powered, two-channel RS-232 to RS-422 converter. It converts TD and RD RS-232 lines to balanced RS-422 signals. The unit is powered from the RS-232 handshake lines DTR and RTS. Only one of these lines must be present, and the unit will work regardless of whether the lines are high or low. Both the RS-422 driver and receiver are enabled at all times.

To satisfy the requirements of some software, the RS-232 handshake lines are looped back (tied together). RTS is connected to CTS, and DTR is connected to DCD and DSR.

### **Connections**

This converter is configured to transmit both directions between an RS-232 and RS-422 system. The RS-232 side is pinned out to connect directly into the COM port on your computer or any other DTE device (Table 1). The RS-422 side of the converter is pinned out as described in Table 2.

When connecting to a RS-422 system, the converter **must** be connected with the proper polarity as shown in Figure 1. When no data is being sent the RS-232 line is negative and the RS-422 line TD(A) is negative with respect to TD(B).

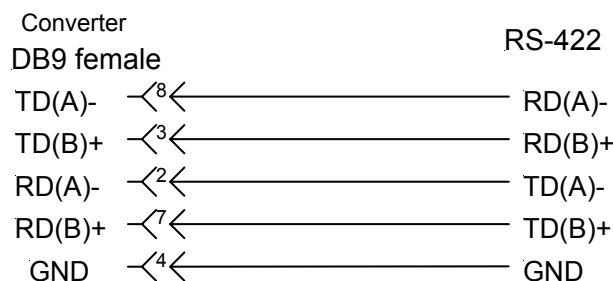
**Table 1 - RS-232 Pin Out**

Signal	DB9 Signal Pin #
TD	3
RD	2
RTS	7
CTS	8
DTR	4
DSR	6
DCD	1
GND	5

**Table 2 - RS-422 Pin Out**

Signal	DB9 Female Pin #
TD A (-)	8
TD B (+)	3
RD A (-)	2
RD B (+)	7
GND	4, 6

**Figure 1 - Connection to an RS-422 System**

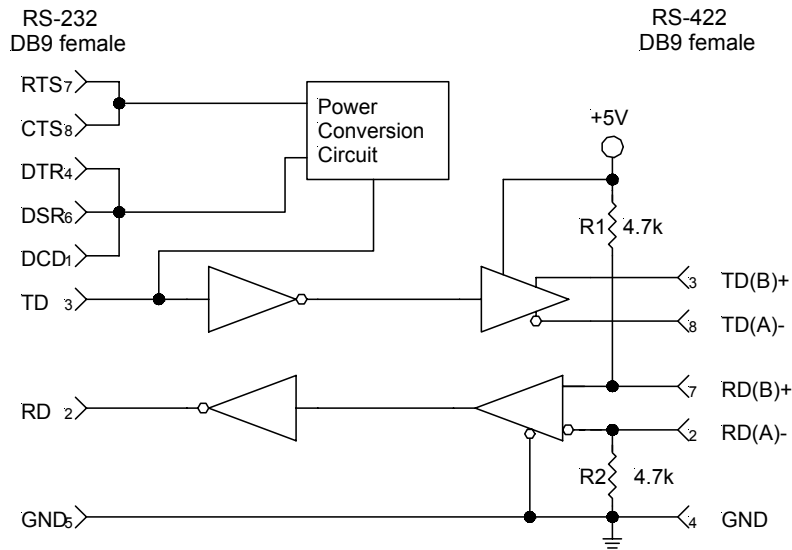


Black Box Corporation - 1000 Park Drive - Lawrence, PA 15055-1018  
 Tech Support and Ordering: 724-746-5500 - Fax: 724-746-0746  
 To contact us about Black Box products or services: [info@blackbox.com](mailto:info@blackbox.com)

## Biassing Resistors

The biasing resistors for the RS-422/RS-485 receiver are 4.7k Ohm resistors. These resistors are labeled R1 and R2 (See Figure 2).

Figure 2



## Specifications

Communication:	RS-422
Data Rate:	115.2 kbps max.
Power:	Port-Powered from handshake lines on the RS-232 side.
Dimensions:	6.1 x 3.3 x 1.7 cm (2.4 x 1.3 x 0.66 in)
Temperature Rating:	0 to 70°C

**NOTE: When using an external supply, the supply should be connected only to specifically labeled power inputs (power jack, terminal block, etc.). Connecting an external power supply to the handshake lines may damage the unit. Contact technical support for more information on connecting an external power supply to the handshake lines.**

Model Number:	IC1474A-F
Description:	9-Pin Port-Powered RS-422 Converter
Type:	Light industrial ITE equipment
Standards:	EN 50082-1 (IEC 801-2, IEC 801-3, IEC 801-4) EN 50081-1 (EN 55022, IEC 1000-4-2) EN 61000 (-4-2, -4-3, -4-4, -4-5, -4-6, -4-8, -4-11) ENV 50204 EN 55024



Black Box Corporation - 1000 Park Drive - Lawrence, PA 15055-1018  
Tech Support and Ordering: 724-746-5500 - Fax: 724-746-0746  
To contact us about Black Box products or services: [info@blackbox.com](mailto:info@blackbox.com)

## Free Manuals Download Website

<http://myh66.com>

<http://usermanuals.us>

<http://www.somanuals.com>

<http://www.4manuals.cc>

<http://www.manual-lib.com>

<http://www.404manual.com>

<http://www.luxmanual.com>

<http://aubethermostatmanual.com>

Golf course search by state

<http://golfingnear.com>

Email search by domain

<http://emailbydomain.com>

Auto manuals search

<http://auto.somanuals.com>

TV manuals search

<http://tv.somanuals.com>