

Sliding Monitor Mount, 2- or 4-Post, 2U

Mount a 15", 17", or 19" monitor in a 2- or 4-Post 2U cabinet or rack.

Monitor NOT included.



**Customer
Support
Information**

Order toll-free in the U.S.: Call 877-877-BBOX (outside U.S. call 724-746-5500)
FREE technical support 24 hours a day, 7 days a week: Call 724-746-5500 or fax
724-746-0746 • Mailing address: Black Box Corporation, 1000 Park Drive, Lawrence,
PA 15055-1018 • Web site: www.blackbox.com • E-mail: info@blackbox.com

Specifications/What's Included

1. Specifications

Monitor — 15", 17", or 19" flat display

Mounting — Rack units: 2U;
 Depths: 15.5"–23.5" and 23.5"–31.5"

Rail Compatibility — M6 (square hole) and tapped (10-32 and 12-24)

VESA — 75 mm and 100 mm

2. What's Included

Your package should include the following items. If anything is missing or damaged, contact Black Box Technical Support at 724-746-5500 or info@blackbox.com.

- (1) 2U sliding monitor tray
- (2) 2U adapter brackets (13.5" deep)

NOTE: Works with 15", 17", or 19" monitor (NOT included).

Adapter bracket hardware:

- (8) 12-24 hex bolts

Hardware pack:

- (1) cable arm mount bracket
- (1) power cable, 5-15p to IEC320 C13, 10-ft. (3.2-m)
- (1) VGA cable, 10 ft. (3.2-m)

Generic monitor hardware:

- (4) ½" (25-mm) white nylon spacers
- (4) ⅜" (12-mm) white nylon spacers
- (4) pan-head screws M4 x 6-mm
- (4) pan-head screws M4 x 25-mm
- (4) pan-head screws M4 x 30-mm

17"/19" monitor hardware:

- (4) ¼" (14-mm) white nylon spacers
- (4) pan-head screws M4 x 30-mm

Rackmount hardware:

- (8) 12-24 x 1/2" pan-head screws
- (8) 10-32 x 1/2" pan-head screws
- (8) 12-24 cage nuts
- (8) 10-32 cage nuts

Rear hardware:

- (6) 8-32 x 3/8" pan-head screws
- (6) 8-32 nuts with star washers

3. Installation Instructions

Step 1: Mounting depth: Measure the mounting depth for your rack from the front of the front-mounting surface to the back of the back-mounting surface.

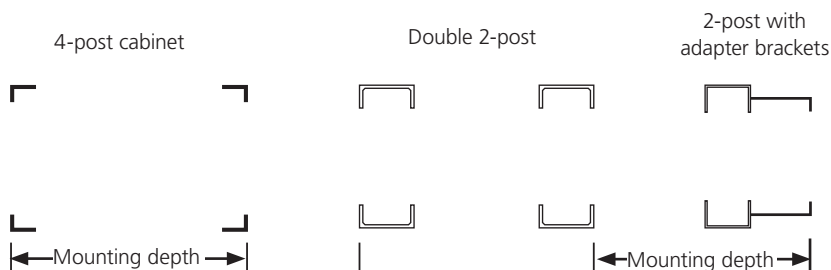


Figure 1. Mounting depth measurements.

Step 2: If mounting in a 2-post rack, attach the 2U adapter brackets to the 2-post rack before installing the 2U sliding monitor tray.

Step 3: 23.5" to 31.5": Install the rear rack brackets as shown in Figure 2 for this mounting depth range (see Step 5 for assembly).

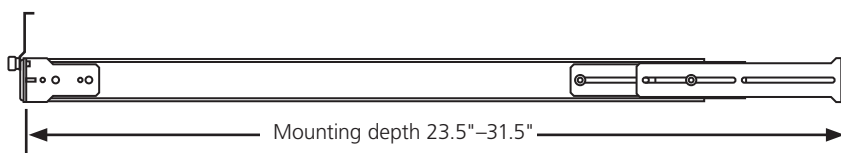


Figure 2. Mounting depth: 23.5" to 31.5".

Installation Instructions

Step 4: 15.5" to 23.5": Install the rear rack brackets as shown in Figure 3 for this mounting depth range (see Step 5 for assembly).

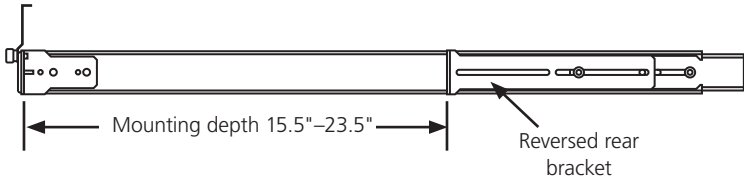


Figure 3. Mounting depth: 15.5" to 23.5".

Step 5: Rear bracket attachment.

Step 5A: Move the slide rails back approximately 10" (25.4 cm). You might need to loosen the thumbscrews to do this.

Step 5B: Attach the rear rack brackets and the cable arm extension as shown in Figure 4, using (4) 8-32 x 3/8" pan-head screws and (4) 8-32 nuts. Place the screws as far apart as possible (see Figure 4).

Step 5C: Tighten all screws.

NOTE: You can attach the cable arm extension to the right or left side, based on your cabling needs.

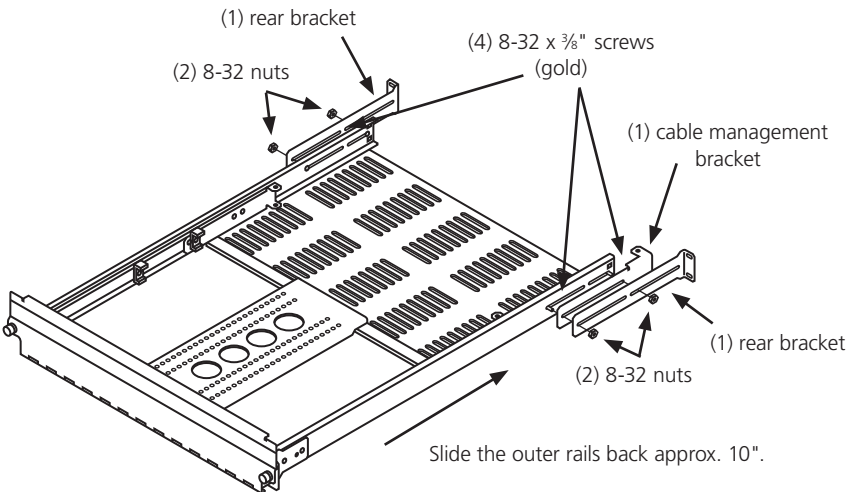


Figure 4. Attaching the rear bracket.

Step 6: Cable arms: Attach the two cable management arms using three 1½" clevis pins.

NOTE: You can install cable management on the opposite side.

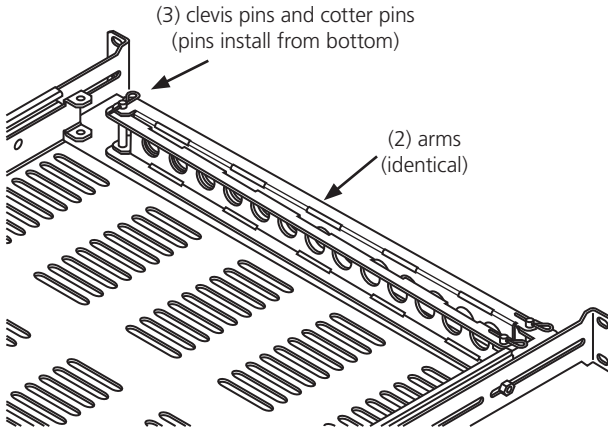


Figure 5. Attaching the cable arms.

Step 7: Monitor attachment. See Figure 6.

Step 7A: Turn the monitor face down on a large flat surface.

Step 7B: Locate the four VESA mounting holes on the rear of the monitor.

Step 7C: Determine if spacers are required. Some monitors have a "recess" on the rear of the monitor. Spacers are provided to fill this gap. See Table 1 for spacer length options.

Step 7D: Determine the screw length. Only use the metric M4 screws provided. Screw length is determined by the spacers used. See Table 1.

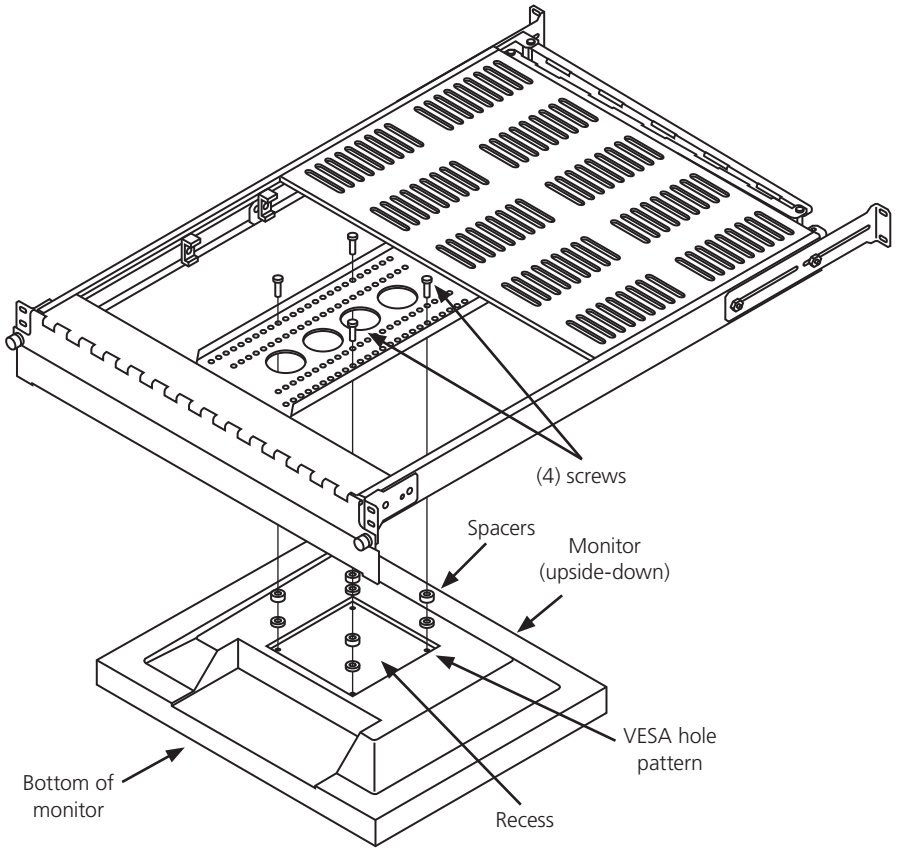

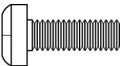

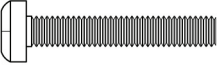




Figure 6. Attaching the monitor.

Table 1. Monitor hardware pack.

Recess depth	Spacer/screw	Length
0.125 (1/8")	 	12-mm
0.500 (1/2")	 	25-mm
0.750 (3/4")	 	30-mm

Black Box Tech Support: FREE! Live. 24/7.

Tech support the
way it should be.



Great tech support is just 30 seconds away at
724-746-5500 or blackbox.com.



About Black Box

Black Box provides an extensive range of networking and infrastructure products. You'll find everything from cabinets and racks and power and surge protection products to media converters and Ethernet switches all supported by free, live 24/7 Tech Support available in 30 seconds or less.

© Copyright 2012. Black Box Corporation. All rights reserved. Black Box® and the Double Diamond logo are registered trademarks of BB Technologies, Inc. Any third-party trademarks appearing in this manual are acknowledged to be the property of their respective owners.

SMM2-2U, version 2

Free Manuals Download Website

<http://myh66.com>

<http://usermanuals.us>

<http://www.somanuals.com>

<http://www.4manuals.cc>

<http://www.manual-lib.com>

<http://www.404manual.com>

<http://www.luxmanual.com>

<http://aubethermostatmanual.com>

Golf course search by state

<http://golfingnear.com>

Email search by domain

<http://emailbydomain.com>

Auto manuals search

<http://auto.somanuals.com>

TV manuals search

<http://tv.somanuals.com>