



# Univolt®

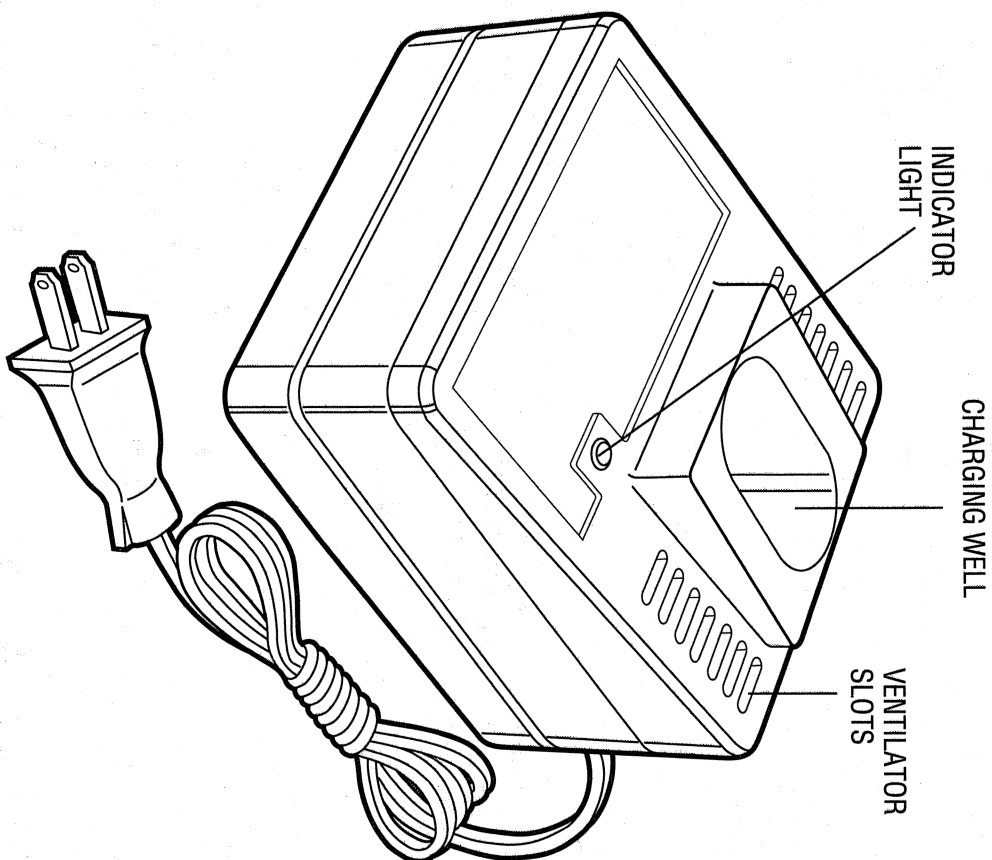
**Instruction Manual**  
**98014 • 97014**  
**One Hour Chargers**

## Getting the most out of your tool.

Please take time to read this manual and pay particular attention to the safety rules we've provided for your protection. Don't forget to send in your owner's registration card. If you have any questions about your tool please call:

**1-800-9-BD TOOL**  
**(1-800-923-8665)**

Cat. No.	Charging a "Standard" Pack	Charging an "XR" Pack
98014	60 minutes	75 minutes
97014	45 minutes	60 minutes



# SAFETY INSTRUCTIONS

This manual contains important safety and operating instructions.

- Before using charger, read all instructions and cautionary markings on (1) charger, (2) battery pack, and (3) product using battery pack.
- **DANGER:** 120 volts present at charging terminals. Do not probe with conductive objects. Danger of electric shock or electrocution.
- **DANGER:** If battery pack case is cracked or damaged, do not insert into charger. Danger of electric shock or electrocution.
- Do not expose charger to rain or snow.
- The charger is not intended for any uses other than charging B&D battery packs. Any other uses may result in risk of fire, electric shock or electrocution.
- To reduce risk of damage to electric plug and cord, pull by plug rather than cord when disconnecting charger.
- Make sure cord is located so that it will not be stepped on, tripped over, or otherwise subjected to damage or stress.
- An extension cord should not be used unless absolutely necessary. Use of improper extension cord could result in risk of fire, electric shock, or electrocution.
- Two-wire cords can be used with 2-wire or 3-wire extension cords. Only round jacketed extension cords should be used, and we recommend that they be listed by Underwriters Laboratories (U.L.) (C.S.A. in Canada). If the extension will be used outside, the cord must be suitable for outdoor use. The letters "W" or "WA" on the cord jacket indicate that the cord is suitable for outdoor use.
- An extension cord must have adequate wire size (AWG or American Wire Gauge) for safety. The smaller the gauge number of the wire, the greater the capacity of the cable, that is 16 gauge has more capacity than 18 gauge. When using more than one extension to make up the total length, be sure each individual extension contains at least the minimum wire size

## CHART FOR MINIMUM WIRE SIZE (AWG) OF EXTENSION CORDS

### NAMEPLATE RATING AMPS - 0 - 10.0

Total Extension Cord Length (ft)	25	50	75	100	125	150
Wire Gauge	18	18	16	16	14	14

- The charger is ventilated through slots in the housing. Do not place any object on top of charger or place the charger on a soft surface that might block the ventilation slots and result in excessive internal heat. Place the charger in a position away from any heat source.
- Do not operate charger with damaged cord or plug — have them replaced immediately.
- Do not operate charger if it has received a sharp blow, been dropped, or otherwise damaged in any way; take it to an authorized B&D service center.
- Do not disassemble charger; take it to an authorized B&D service center when service or repair is required. Incorrect reassembly may result in a risk of electric shock, electrocution or fire.
- Unplug charger from outlet before attempting any cleaning, to reduce risk of electric shock. Removing the battery pack will not reduce this risk.
- NEVER attempt to connect 2 chargers together.
- DO NOT store or use the tool and battery pack in locations where the temperature may reach or exceed 105°F (such as outside sheds or metal buildings in summer).
- The charger is designed to operate on standard household electrical power (120 volts). Do not attempt to use it on any other voltage!

## SAVE THESE INSTRUCTIONS FOR FUTURE USE

## Universal Charging

Your charger is designed to use standard household 120 volt AC, 60 Hz power. Do not use DC. The use of other power sources like, but not limited to, those that convert DC to AC is not recommended and may cause serious damage to the internal circuitry of your charger.

Your charger is designed to charge all B&D Univolt™ designated battery packs from 6.0 volts to 14.4 volts in about one hour. The charger needs no adjustment and is designed to be as easy as possible to operate. Simply place your battery pack into the receptacle of a plugged in charger, as shown in Figures 1A and 1B and it will automatically charge the pack.

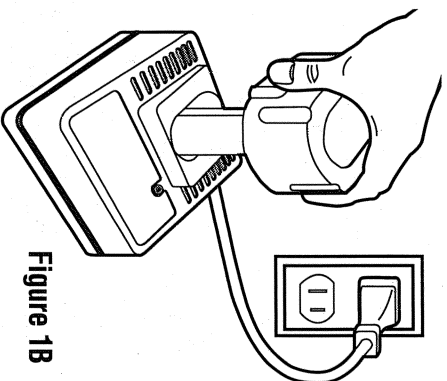
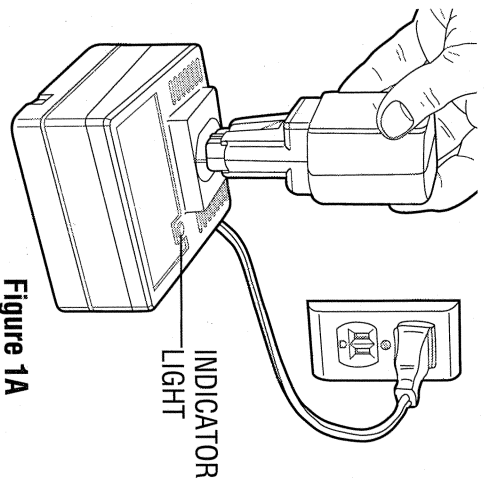
### Charging Procedure

There are no switches or manual controls on your charger. To turn it on, simply plug it into any conventional 120 volt, 60 Hz outlet. Charging will start automatically when the battery pack is inserted properly into the charging well.

1. Insert the battery pack into the charger as shown in Figures 1A and 1B. The red (indicator) light will blink indicating that the charging process has started. Be sure that the battery pack is fully seated in the charger.
2. The battery pack will be fully charged in about 60 minutes. This will be indicated by the red indicator light remaining ON. The charger has switched into its "equalize charge" mode which lasts approximately 4 hours, after which the charger then switches to its continuous "maintenance charge" mode. The battery pack can be removed at any time during any of the charge cycles, but will only be fully charged if the red light is solid ON (not flashing). The charger and battery pack can be left connected with the red light glowing indefinitely. The charger will keep the battery pack fresh and fully charged.

**NOTE:** A battery pack will slowly lose its charge when kept out of the charger. If the battery pack has not been kept on maintenance charge, it may need to be recharged before use. A battery pack may also slowly lose its charge if left in a charger that is not plugged in.

3. This charger is designed to detect certain problems that can arise with battery packs, which would be indicated by the red light flashing at a fast rate. If this occurs, try a different battery pack to determine if the charger is OK. If the new pack charges properly, then the original pack is defective and should be returned to a service center for recycling.



## IMPORTANT CHARGING NOTES

1. Longest life and best performance can be obtained if the battery pack is charged when the air temperature is between 65°F and 75°F (18°- 24°C). DO NOT charge the battery pack in an air temperature below +40°F (+4.5°C), or above +105°F (+40.5°C). This is important and will prevent serious damage to the battery pack.
2. The charger and battery pack may become warm to touch while charging. This is a normal condition, and does not indicate a problem.
3. If the battery pack does not charge properly — (1) Check current at receptacle by plugging in a lamp or other appliance, (2) Check to see if receptacle is connected to a light switch which turns power off when you turn out the lights. (3) Move charger and battery pack to a location where the surrounding air temperature is approximately 65°F - 75°F (18° - 24°C). (4) If charging problems persist, take or send the tool, battery pack and charger to your local service center.
4. The battery pack should be recharged when it fails to produce sufficient power on jobs which were easily done previously. DO NOT CONTINUE to use under these conditions. Follow the charging procedure. You may also charge a partially used pack whenever you desire with no adverse effect on the battery pack.
5. Under certain conditions, with the charger plugged in to the power supply, the exposed charging contacts inside the charger can be shorted by foreign material. Foreign materials of a conductive nature such as, but not limited to, steel wool, aluminum foil, or any buildup of metallic particles should be kept away from charger cavities. Always unplug the charger from the power supply when there is no battery pack in the cavity. Unplug charger before attempting to clean.
6. Under severely hot conditions and when the battery pack is needed back in service quickly, forced cooling of the battery is required. To force cool, place the pack in the airstream from an electric fan or in a cool location.
7. Do not freeze or immerse charger in water or any other liquid.
8. Warning: Don't allow any liquid to get inside charger. Electric shock may result.
9. To facilitate the cooling of the battery pack after use, avoid placing the charger or battery pack in a warm environment such as in a metal shed, or an uninsulated trailer.
10. **CAUTION:** Never attempt to open the battery pack for any reason. If the plastic housing of the battery pack breaks or cracks, return to a service center for recycling.

## Battery Packs

Your charger will charge B&D battery packs designated as Univolt™. When ordering replacement battery packs, be sure to include catalog number and voltage.

## Important!

To assure product safety and reliability, repairs, maintenance, and adjustments should be performed by B&D service centers or other qualified service organizations, always using B&D replacement parts.

Every B&D tool is of the highest quality.

If you wish to contact us regarding this product, please call toll free between 8:00am and 8:00pm ET, seven days a week:

**1-800-9-BD TOOL**  
(1-800-923-8665)

## One Year Free Maintenance

All B&D tools for Industry and Construction are covered under a one year free maintenance program where B&D will inspect your tool for safety and provide necessary maintenance or repairs, including normal wear and tear parts, for one year, FREE OF CHARGE.

## Full Warranty

All B&D tools for Industry and Construction are warranted to be free of any defects in materials or workmanship. Upon thorough examination of tool, B&D will repair or replace, at our option, any product that is determined to be defective.

## Conditions

The service/safety check and the warranty do not apply to: repairs made or attempted by anyone other than an authorized B&D service location; misuse, abuse, neglect, improper application of the tool; missing parts; or normal wear and tear (after first year of ownership). Please return the complete unit, transportation prepaid, to any B&D factory owned or B&D authorized service center location (list provided with tool or see yellow pages under "Tools Electric").

**YOUR POWER TOOLS MAY BE SERVICED AT THE FOLLOWING B&D SERVICE DEPOTS.**

### Alberta

Edmonton TSM1v1, 11440 142nd St.....403-453-2373

### British Columbia

Vancouver V5M3A7, 1735 Houndry Rd .....604-281-9942

### Manitoba

Winnipeg R3H0K3, 834 St. James St. ....204-763-7291

### Nova Scotia

Halifax B3K2A4, 6100 Young St. ....902-453-5000

### Ontario

Brookville K6V5W6, 100 Colonial Ave.....613-342-6641

London N6L3A8, 901 Wellington Rd #6 .....519-649-2407

Mississauga L4X1L3, 1480 Dundas St.E#6 .....905-277-0011

North York M3J3G5, 48 Kedliao Cros.....416-835-6740

### Québec

Montréal H1Y1B4, 3061 Boulanger .....614-722-1021

**FOR ADDITIONAL SERVICE LOCATIONS**

**CALL: 1-800-9-BD TOOL**

# YOUR POWER TOOLS MAY BE SERVICED AT THE FOLLOWING BLACK & DECKER SERVICE CENTERS.

**ALABAMA:**  
 Birmingham 35209, 2412 Green Springs Hwy..... 205-942-0538  
 Mobile 36608, 3831 Airport Blvd..... 205-343-6624

**ALASKA:**  
 Anchorage 99518, 910 West International Airport Rd..... 907-563-4664

**ARIZONA:**  
 Mesa 85202, 535 S. Dobson, Suite 7. 602-461-1074  
 Phoenix 85013, 4501 N. 7th Avenue..... 602-279-6414  
 Tucson 85712, 4845 E. Speedway Blvd..... 602-323-3388

**ARKANSAS:**  
 Little Rock 72201, 519 W. Seventh St..... 501-372-3040

**CALIFORNIA:**  
 Anaheim 92806, 540 South State College Blvd..... 714-772-4050  
 Concord 94520, 1500 Monument Blvd., #C2..... 510-682-4880  
 Fresno 93710, 5412 North Blackstone Ave..... 209-435-0810  
 Long Beach 90805, 2011 South St..... 310-422-5825  
 Los Angeles 90040, 4820 South Eastern Ave., Suite "L"..... 213-720-1834  
 Riverside 92506, 6215 Magnolia Ave., Suite "B"..... 909-787-9700  
 Sacramento 95825, 2033 Fulton Ave..... 916-972-9090  
 San Diego 92123, 9270 Clairemont Mesa Blvd..... 619-279-2011  
 San Jose 95128, 1185 So. Bascom Ave..... 408-293-7350  
 San Leandro 94578, 15208 E. 14th St..... 510-276-1610  
 Van Nuys 91411, 14920 Victory Blvd..... 818-787-5531

**COLORADO:**  
 Denver 80219, 1171 S. Federal Blvd..... 303-922-8325

**CONNECTICUT:**  
 Orange 06477, 481 Boston Post Rd..... 203-795-3583  
 Weathersfield (Hartford) 06109, 662 Sias Dean Hwy..... 203-563-5800

**DISTRICT OF COLUMBIA:** Washington  
 Colmar Manor 20722, 4153 Bladensburg Rd..... 301-779-3808  
 Falls Church, VA 22046, 344 W. Broad St..... 703-533-7313

**FLORIDA:**  
 Ft. Lauderdale 33334, 799 E. Oakland Pk. Blvd..... 305-566-5102  
 Jacksonville 32205, 920 Cassat Ave..... 904-781-2253  
 Miami (North) 33168, 13345 N.W. Seventh Ave..... 305-681-6658  
 Miami (South) 33156, 12233 So. Dixie Hwy..... 305-232-9497  
 Orlando 32803, 3807 E. Colonial Dr..... 407-894-7011  
 St. Petersburg 33709, 5635 49th St., N..... 813-525-0273  
 Tampa 33609, 3432 W. Kennedy Blvd..... 813-872-8317  
 West Palm Beach 33415, 310 South Military Trail..... 407-689-3247

**GEORGIA:**  
 Atlanta (South) 30349, 5330 Old National Hwy..... 404-762-8844  
 Smyrna 30080, 2550 Cobb Pkwy..... 404-956-0869  
 Stone Mountain (Atlanta) 30086, 5723 Memorial Dr..... 404-292-4714

**HAWAII:**  
 Honolulu 96819, 330 Sand Island Access Road..... 808-847-7447

**ILLINOIS:**  
 Des Plaines (Chicago) 60018, 1277 South Elmhurst Rd..... 708-364-5220  
 Lincolnwood (Chicago) 60466, 6710 N. Crawford Ave..... 708-673-0923  
 Lisle (West Chicago) 60532, 2950 Ogden Ave., Unit H..... 708-717-1075  
 Moline 61265, 4433 23rd Ave..... 309-762-3000  
 Oak Lawn (Chicago) 60453, 6343 W. 95th St..... 708-423-7212

**INDIANA:**  
 Evansville 47710, 307 First Ave., Crescent Cir..... 812-425-4269  
 Hammond 46323, 7103 Kennedy Ave..... 219-845-5100  
 Indianapolis 46224, 5999 Crawfordsville Rd..... 317-243-8308

**IOWA:**  
 Des Moines 50310, 3427 Merle Hay Rd..... 515-270-1340

**KANSAS:**  
 Wichita 67213, 155 S. West St..... 316-943-1271

**KENTUCKY:**  
 Louisville 40213, 5211 Preston Hwy..... 502-968-7100

**LOUISIANA:**  
 Baton Rouge 70815, 11859 Florida Blvd..... 504-272-8111  
 Harvey 70058, 2500 Lapalco Blvd..... 504-366-8676  
 Metairie (New Orleans) 70002, 3504 N. Causeway Blvd..... 504-837-2550  
 Shreveport 71108, 7710-7714 Jewella Rd..... 318-688-1553

**MARYLAND:**  
 Baltimore (East) 21205, 4712 Erdman Ave..... 410-485-5550  
 Baltimore (North) 21030, 28-31 Cranbrook Rd., Cockeysville..... 410-666-5966  
 Baltimore (South) 21122, 8220 Ritchie Hwy., Pasadena..... 410-647-8456  
 Colmar Manor 20722, 4153 Bladensburg Rd..... 301-779-3808

**MASSACHUSETTS:**  
 Brighton (Boston) 02135, 12 Market St..... 617-782-6264  
 Seekonk 02771, 120 Highland Ave..... 508-336-6510

**MICHIGAN:**  
 Grand Rapids 49512, 3040 28th St., S.E..... 616-949-8331  
 Warren 48093, 27035 Van Dyke Blvd..... 313-756-6711  
 Westland (Detroit) 48185, 8067 North Wayne Rd..... 313-427-1520

**MINNESOTA:**  
 Bloomington (Minneapolis-St. Paul) 55420, 9517 Lyndale Ave., S..... 612-884-9191

**MISSOURI:**  
 Kansas City 64111, 4324 Main St..... 816-531-0629  
 St. Ann (North St. Louis) 63074, 3637 North Lindbergh Blvd..... 314-739-4661  
 St. Louis 63131, 12852 Manchester Rd..... 314-821-8740

**NEBRASKA:**  
 Omaha 68127, 4225 S. 84th St..... 402-592-5666

**NEVADA:**  
 Las Vegas 89104, 3411 East Charleston Blvd..... 702-641-6555

**NEW JERSEY:**  
 Cherry Hill 08034, 1444 E. Marlton Pike/Rte. 70..... 609-429-2822  
 Little Falls 07424, RT 46 E. at Lower Notch Rd..... 201-256-9373  
 Union (Scotch Plains) 07076, 2520 Route #22 East..... 908-233-5665

**NEW MEXICO:**  
 Albuquerque 87110, 5617 Menaul Blvd., N.E..... 505-884-1002

**NEW YORK:**  
 Buffalo 14209, 881 W. Delavan Ave..... 716-884-6220  
 Centereach L.I. 11720, 2061-63 Middle Country Rd..... 516-737-4706  
 Elmhurst (New York) 11373, 77-20 Queens Blvd..... 718-335-1042  
 Latham (Albany) 12110, 836 Troy-Schenectady Rd..... 518-785-1867  
 Manhattan (New York) 10010, 50 West 23rd St..... 212-929-6450  
 Rochester 14623, 2969 W. Henrietta Rd..... 716-424-1310  
 Syracuse 13214, 3485 Erie Blvd., East..... 315-446-5086  
 Westbury L.I. (New York) 11590, 1061 Old Country Rd..... 516-997-6140

**NORTH CAROLINA:**  
 Charlotte 28205, 3007 E. Independence Blvd..... 704-374-1779  
 Greensboro 27407, 3716 High Point Rd..... 910-852-1300  
 Raleigh 27604, 2930 Capital Blvd..... 919-878-0357  
 Cincinnati 45241, 2310 E. Sharon Rd..... 513-772-3111  
 Columbus 43227, 3975 E. Livingston Ave..... 614-237-0461  
 Dayton 45409, 2898 S. Dixie Dr..... 513-298-1951

**OHIO:**  
 Mayfield Heights (East Cleveland) 44124, 5881 Mayfield Rd..... 216-449-2770  
 Parma Heights (Cleveland) 44130, 6483 Pearl Rd..... 216-842-9100  
 Toledo 43607, 3231 Dorr St..... 419-531-8921

**OKLAHOMA:**  
 Oklahoma City 73106, 1318 Linwood Blvd..... 405-232-7515  
 Tulsa 74145, 3120 S. Sheridan Rd..... 918-622-5666

**OREGON:**  
 Portland 97209, 1640 N.W. Johnson St..... 503-228-8631

**PENNSYLVANIA:**  
 Evans City 16033, 20808 Rt. 19 North..... 412-779-9600  
 Harrisburg 17112, 6080 Allentown Blvd..... 717-545-0651  
 Lancaster 17601, 118 Keller Ave..... 717-399-5251  
 Philadelphia 19103, 333 N. 20th St..... 215-584-5520  
 Philadelphia (North) 19115, 9977-81 Bustleton Ave..... 215-462-7771  
 Pittsburgh 15232, 5437 Baum Blvd..... 412-362-2700  
 Whitehall (Allentown) 18052, 2242 MacArthur Rd..... 610-435-9544

**PUERTO RICO:**  
 Puerto Nuevo..... 809-783-3535

**RHODE ISLAND:**  
 See Seekonk, MA

**SOUTH CAROLINA:**  
 Greenville 29607, 1557 Laurens Rd..... 803-232-3038

**TENNESSEE:**  
 Knoxville 37917, 4118 N. Broadway..... 615-688-0921  
 Memphis 38116, 1085 East Brooks Rd..... 901-332-3444  
 Nashville 37211, 4811 Nolensville Rd..... 615-833-8277

**TEXAS:**  
 Amarillo 79106, 3008 West 6th Ave..... 806-373-1531  
 Austin 78757, 6549 Burnet Rd..... 512-459-1133  
 Dallas 75229, 2257 Royal Ln..... 214-620-6655  
 El Paso 79915, 6822 Gateway East..... 915-778-9769  
 Fort Worth 76111, 721 North Beach St..... 817-831-3828  
 Houston 77022, 536 E. Tidwell Rd..... 713-692-7111  
 Houston (S.W.) 77025, 9319 Stella Link Blvd..... 713-664-3666  
 San Antonio 78201, 500 Culebra Ave..... 210-732-1221

**UTAH:**  
 Salt Lake City 84115, 1541 S. Third West St..... 801-486-5828

**VIRGINIA:**  
 Falls Church 22046, 344 W. Broad St..... 703-533-7313  
 Norfolk 23513, 7631 Sewells Point Rd..... 804-480-3333  
 Richmond 23222, 1424 Chamberlayne Ave..... 804-649-9245

**WASHINGTON:**  
 Seattle 98108, 421 S. Michigan St..... 206-763-2010  
 Spokane 99208, N. 7011 Division St..... 509-467-8190  
 Tacoma 98409, 2602 S. 38th St..... 206-473-6040

**WEST VIRGINIA:**  
 Charleston 25312, 1638 Sixth Ave..... 304-343-0289

**WISCONSIN:**  
 Milwaukee (Wauwatosa) 53226, 10424 West Bluemound Rd..... 414-453-4240

Black & Decker (U.S.) Inc. • 701 East Joppa Road, Towson, Maryland 21286  
Printed in U.S.A. (JUL94-CO-1) Form No. 159233 Copyright © 1994

---



## Free Manuals Download Website

<http://myh66.com>

<http://usermanuals.us>

<http://www.somanuals.com>

<http://www.4manuals.cc>

<http://www.manual-lib.com>

<http://www.404manual.com>

<http://www.luxmanual.com>

<http://aubethermostatmanual.com>

Golf course search by state

<http://golfingnear.com>

Email search by domain

<http://emailbydomain.com>

Auto manuals search

<http://auto.somanuals.com>

TV manuals search

<http://tv.somanuals.com>