

SAVE THIS USE AND CARE BOOK

LEASE ESTE INSTRUCTIVO ANTES DE USAR EL PRODUCTO

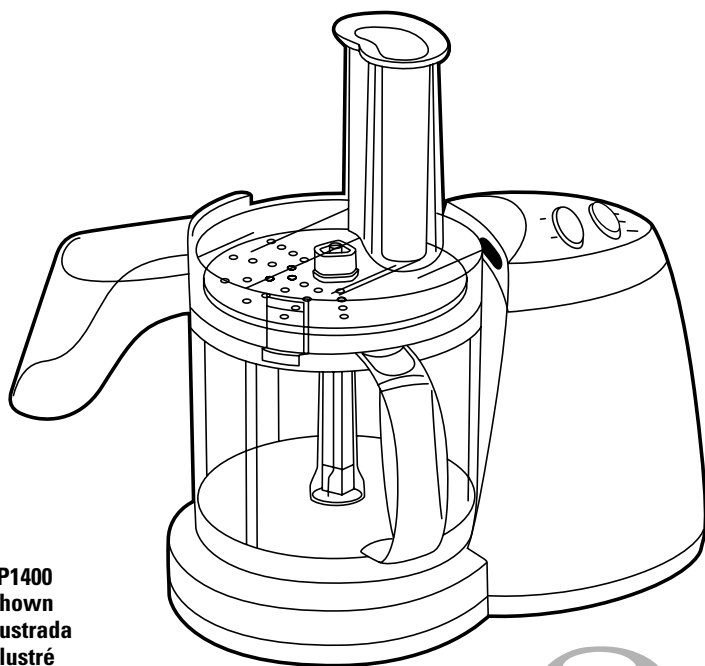
CONSERVER CE GUIDE D'ENTRETIEN ET D'UTILISATION

 **BLACK & DECKER**® *

Quick 'N Easy™ Food Processors (English, page 2)

Procesador de alimentos Quick 'N Easy™ (Español, página 9)

Robots culinaires Quick 'N Easy^{mc} (Français, à la page 16)



FP1400
Shown
Ilustrada
Illustré

U.S.A./CANADA 1-800-231-9786
MEXICO 01-800-714-2503

<http://www.householdproductsinc.com>

Household Products Limited de
México S. de R.L. de C.V.
350W (MAX) 120V~ 60 Hz

Séries FP1300/FP1400 Series

Download from [Www.Somanuals.com](http://www.Somanuals.com). All Manuals Search And Download.

IMPORTANT SAFEGUARDS

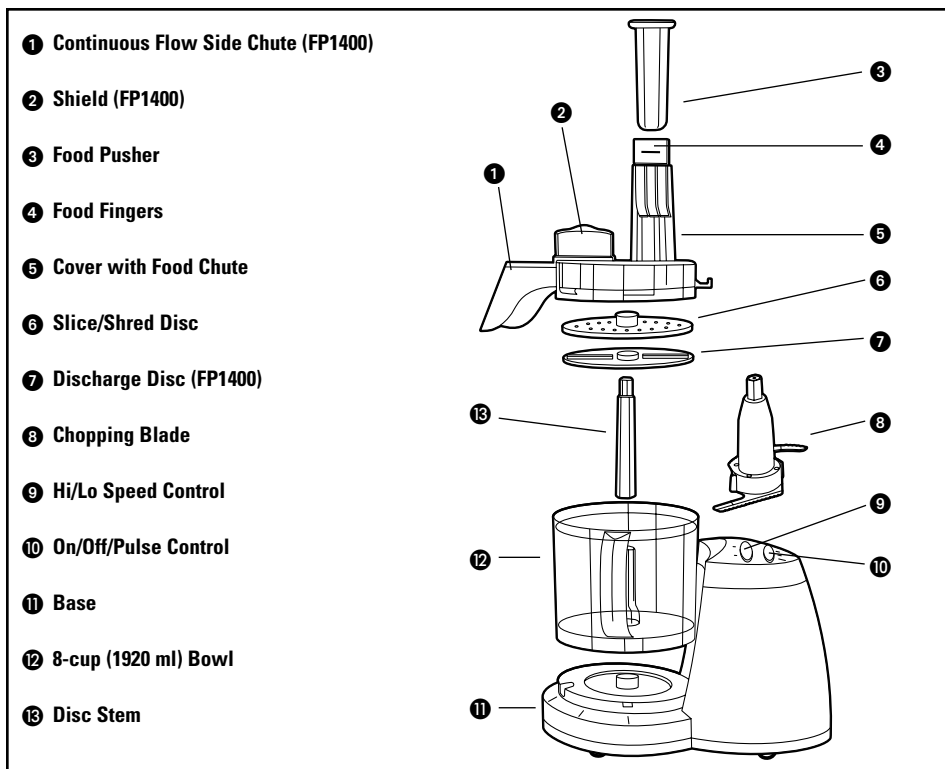
When using electrical appliances, basic safety precautions should always be followed, including the following.

- Read all instructions.
- To protect against risk of electrical shock, do not put base, cord, or plug in water or other liquid.
- Close supervision is necessary when any appliance is used by or near children.
- Turn unit off and unplug from outlet when not in use, before putting on or taking off parts, and before cleaning. To disconnect, turn unit off, grasp plug, and pull from wall outlet. Never yank on cord.
- Avoid contacting moving parts.
- Do not operate any appliance with a damaged cord or plug or after the appliance malfunctions or is dropped or damaged in any manner. Return the appliance to an authorized service facility for examination, repair, or electrical or mechanical adjustment.
- The use of attachments not recommended or sold by the appliance manufacturer may cause fire, electric shock, or injury.
- Do not use outdoors.
- Do not let cord hang over edge of table or counter or touch hot surfaces.
- Keep hands and utensils away from moving blades or Discs while processing food to prevent the possibility of severe personal injury or damage to the food processor. A scraper may be used, but it must be used only when the food processor is not running.
- Blades are sharp. Handle carefully.
- Be sure to insert or remove Chopping Blade and Slice/Shred Disc by using hubs to avoid injury.
- To avoid injury, never place Chopping Blade or Slice/Shred Disc on Base without first putting Bowl properly in place. Make sure motor, Disc, and/or Chopping Blade have stopped completely before removing cover.
- Be certain cover is securely locked in place before operating appliance.
- Never feed food into chute by hand. Always use Food Pusher.
- Do not attempt to defeat the cover interlock mechanism.
- Do not operate this appliance in the presence of explosive and/or flammable fumes.
- This appliance is intended for household use only and not for commercial or industrial use.

SAVE THESE INSTRUCTIONS

POLARIZED PLUG

This appliance has a polarized plug-one blade is wider than the other. As a safety feature, this plug will fit into a polarized outlet only one way. If the plug does not fit fully into the outlet, reverse it and try again. If it still does not fit, contact an electrician. **Do not attempt to defeat this safety feature.**



TAMPER-RESISTANT SCREW

This appliance is equipped with a tamper-resistant screw to prevent removal of the bottom cover. To reduce the risk of fire or electric shock, **do not attempt to remove the bottom cover.** There are no user serviceable parts inside. Repair should be done only by authorized service personnel.

ELECTRICAL CORD

The cord length of this appliance was selected to reduce hazards that may occur with a longer cord. If more cord length is needed, an extension cord with a polarized plug may be used. It should be rated not less than 10 amperes, 120 Volts, and have Underwriters Laboratories or appropriate agency-approved listing. When using a longer cord, be sure it does not drape over a working area or dangle where it could be pulled on or tripped over. Handle cord carefully for longer life; avoid jerking or straining it at outlet and appliance connections.

Before First Use

- When unpacking the product and removing packing material, handle the Chopping Blade and Slice/Shred Disc carefully; they are very sharp.
- Wash all parts except the Base. Be sure to read this Use & Care Book, paying special attention to the sections on "How to Use" and "Care and Cleaning" to learn the correct methods for taking the unit apart and cleaning.

NOTE ABOUT USAGE: Do not attempt to chop ice in this food processor; it will damage the Bowl and dull the Chopping Blade. This unit will not whip cream, beat egg whites to a desirable volume, grind coffee beans or spices with a high oil content, or slice or shred hard-cooked eggs, marshmallows, or soft cheeses.

CONTROLS

On — When this button is pressed, the unit will run continuously until the Off button is pressed. Use the On position for longer processing tasks, such as making dressings, smooth spreads, peanut butter, dips, etc.

Off — The Processor should always be left in the Off position when the unit is not in use.

Pulse — The Pulse position must be pressed and held for the unit to operate. When it is released, the unit will stop. Use Pulse for short processing tasks, such as chopping nuts, raw meats, or vegetables. This lets you check processed results and control the fineness.

IMPORTANT: For your protection this unit has an Interlock System. The processor won't operate unless the tab on the Cover is correctly *locked into the slot on the Base*. Be sure the Cover is turned fully into the *slot toward LOCK* until you hear it click into place. Do not attempt to operate the unit without the Cover being correctly in place. Be sure the Bowl is locked into the Base and the Base is on a flat, dry, clean surface before you begin processing.

Using The Food Processor

How To Slice Or Shred

1. Place the Bowl over the Center Post in the Base with the handle at the left. Turn the bowl towards the Base until it drops down into place. Snap the Bowl in towards the Base and be sure the Locking Tab locks into place (A).

2. To process into a serving/mixing bowl using the Continuous Flow Food Chute (**FP1400 Only**), place the Disc Stem onto the Center Post in the Bowl and slip the Discharge Disc onto the Stem.

NOTE: Be sure you have the appropriate side of the Discharge Disc up for leafy or other vegetables. The Tabs on the Disc should be up for leafy vegetables. Grasp the Slice/Shred Disc by the Hub or very carefully by its edge with the desired side (Slice or Shred) up and push it down onto the Disc Stem over the Discharge Disc.

Remember to remove the Shield from the Food Chute/Cover. To process directly into the Bowl, follow the same procedure only do not use the Discharge Disc and be sure the Shield is pushed down into place. Clip the Food Fingers onto the Food Chute to keep food from tilting and help get even slices.

For models without the Continuous Flow Food Chute (FP1300), place the Disc Stem onto the Center Post in the Bowl, then carefully grasp the Slice/Shred Disc by its Hub with the desired side (Slice or Shred) up and push it down onto the Disc Stem.

3. Place the Food Chute/Cover onto the Bowl so that its Tab is facing the Base. Twist the Food Chute/Cover in toward the Base to LOCK until you hear it click into place.

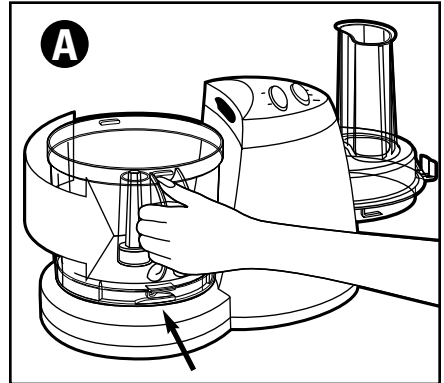
4. Plug the cord into an electrical outlet.

5. Use the Food Guide to help you prepare food for slice/shred processing. Fill the Food Chute with food and position the Pusher over the food.

6. Select the Hi or Lo Speed, then press down lightly but firmly on the Food Pusher while pressing the desired Pulse or On Control.

NOTE: Let the Processor do the work. Heavy pressure will not speed up operation. Do not use the Processor continuously for more than 3 minutes at a time.

7. After processing food, press the control to Off or release the Pulse Control. Allow the Disc to



stop rotating. Twist the Food Chute/Cover toward **UNLOCK** to remove the Cover.

8. Carefully pull the Slice/Shred Disc (and in the case of the FP1400, the Discharge Disc) off the Stem, remove the Stem, unlock the Bowl by turning it away from its Base, and lift the Bowl off.

How To Use The Chopping Blade

The Chopping Blade speeds up many everyday tasks and is designed to chop, crumb, grind, mince and mix quickly.

1. Place the Bowl over the Center Post in the Base with the handle at the left. Turn the Bowl towards the Base until it drops down into place. Snap the Bowl in towards the base and be sure the Locking Tabs locks into place (see A).

2. Grasp the Chopping Blade by its center shaft and slide it down onto the Center Post. (B)

3. Place the Food Chute/Cover onto the Bowl so that its Tab is facing the Base. Twist the Food Chute/Cover in toward the Base to LOCK until you hear it click into place.

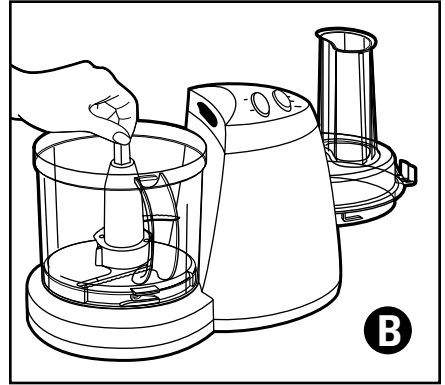
4. Plug the cord into an electrical outlet.

5. Use the Food Guide to help you prepare food for chopping/mincing/mixing and crumbing. Fill the Bowl with food.

6. Select the Hi or Lo Speed, then press the desired Pulse or On Control. When pulsing, hold the Pulse position for about 2-3 seconds: check results; repeat for desired consistency. It is better to use several short operations rather than a single long one unless mixing ingredients that require longer processing times.

7. After processing food, press the control to Off or release the Pulse button. Allow the Chopping Blade to stop rotating. Twist the Food Chute/Cover toward **UNLOCK** to remove the Cover.

8. Grasp the Chopping Blade by its shaft and remove. Unlock the Bowl by turning it away from its Base, and lift it off. Empty the processed food.



Care and Cleaning

NOTE: Do not attempt to sharpen the cutting edges of the Chopping Blade or the Reversible Disc. They are permanently sharpened at the factory and will be ruined by attempted sharpening.

Cleaning

1. Before cleaning, be sure the unit is Off and the cord is unplugged.

2. Whenever possible, rinse parts immediately after processing for easy cleanup.

3. Wipe the Base and feet with a damp cloth and dry thoroughly. Stubborn spots can be removed by rubbing with a damp cloth and a mild, non-abrasive cleaner. Do not immerse the Base in liquid.

4. All removable parts can be washed by hand or in a dishwasher. To remove the Food Fingers, simply pull up on the clip portion.

■ If washing by hand, wash in hot, sudsy water, rinse, and dry thoroughly. If necessary, use a small nylon bristle brush to thoroughly clean the Bowl and Food Chute/Cover; this type of brush will also help prevent cutting yourself on the Chopping Blade and Slice/Shred Disc.

■ If washing in a dishwasher, place removable parts on the top rack only — not in or near the utensil basket.

■ Some staining of parts may occur. Use a paste of 2 tablespoons baking soda/1 tablespoon water — apply to stains and let stand overnight. Rinse and dry.

5. Do not use rough scouring pads or cleansers on any plastic or metal parts.

6. Do not fill the Bowl with boiling water or place any of the parts in boiling water. Some foods, such as carrots, may temporarily stain the Bowl. To remove stains, make a paste of 1 tablespoon baking soda and two tablespoons warm water. Apply the paste to the stains and rub with a cloth. Rinse in sudsy water and dry.
7. Do not allow the Chopping Blade, Slice/Shred Disc or Discharge Disc (FP1400 Only) to soak in water for long periods of time.

Food Processing Tips

Liquids

- Hot liquids (not boiling) and hot foods can be processed in the Bowl.
- Be sure to process small amounts of liquids — 3 cups or less at a time. Larger amounts may leak from the Bowl.

Food Size, Preparation and Loading

- When using different foods in a recipe, process dry ingredients first and moist ingredients later. This reduces the number of times the Bowl must be washed and dried.
- **For the FP1400**, you can continuously slice or shred directly into a mixing/serving bowl by using the Continuous Food Side Chute with the Discharge Disc. This is great when making large quantities of food such as cole slaw since you don't have to stop to empty the 8-Cup Bowl. It also allows you to mix your other ingredients (mayonnaise, vinegar, spices) right into the same bowl in which you will serve the food.
- **Both the FP1300 & FP1400** are designed to let you use the Disc in combination with the Chopping Blade. Just position the Chopping Blade in the Bowl and press the Slice/Shred Disc with the desired side (Slice or Shred) down onto the Hub of the Chopping Blade. Using the 2 parts together can eliminate having to pre-cut foods into cubes — perfect when shredding and chopping cheese such as parmesan to get a finer grated result.

Clogging in the Continuous Flow Side Chute: (FP1400 Only)

Occasionally sliced or shredded food may clog in the Side Chute. Follow these tips to avoid clogging:

- Be sure the Shield is removed entirely when using the Continuous Flow Side Chute. It is normal for some pieces to fall into the processor bowl.
- Use a large serving bowl to help catch spatter from the Side Chute and turn the bowl as it fills to prevent food buildup in the exit chute.
- Be sure to use the correct side of the Discharge Disc — for leafy vegetables (lettuce, cabbage, etc.) and shredding (carrots, zucchini, potatoes, etc.), use the tall Tab side up; for slicing other foods, use the short Tab side up.
- Use the Food Fingers with the Side Chute to help steady food, keep slices whole, and allow for continuous feeding.
- Use Lo speed for foods that have clogged in the past. Some foods, like carrots, are prone to clogging and you may get better results by simply processing them directly into the food processor bowl.
- If clogging does occur, never stick anything up the chute to try to dislodge the food. Shut off and unplug the machine, then unscrew the Cover/Food Chute to clear a blockage.

FOODS TO SHRED

FOOD	SPEED	COMMENTS
CABBAGE	HI	Use shredding disc for very fine cabbage or slaw. Cut into pieces to fit chute. Shred using light pressure. Empty Bowl as cabbage reaches disc.
CARROTS	HI	Position in chute and shred.
CHEESE, CHEDDAR	HI	Cut to fit chute. Cheese must be well chilled.
CHEESE, MOZZARELLA	HI	Cut to fit chute. Cheese must be chilled in freezer for 30 minutes prior to shredding. Use light pressure.
POTATOES	HI	Position in chute. Cut large potatoes in half or quarters.
ZUCCHINI	LOW	Cut to fit chute, either lengthwise or horizontally.

USES FOR THE CHOPPING BLADE

FOOD	AMOUNT	SPEED	COMMENTS
BABY FOOD	Up to 2¾ cups	HI	Add up to 2½ cups (600 ml) cooked vegetables and meat to bowl, along with 1/4 cup (60 ml) cooking liquid/broth. Process to reach desired fineness.
BREAD CRUMBS	Up to 4 slices	HI	Break either fresh or dry bread slices into quarters. Add to bowl and process until finely crumbed.
COOKIE/CRACKER CRUMBS	Up to 2 cups	HI	Use for crumbing graham crackers, chocolate or vanilla wafers. Break larger crackers into quarters. Add up to 2 cups (480 ml) to Bowl and process until fine.
EGGS, CHOPPED	Up to 6	LOW	Peel, dry and halve hard-cooked eggs. Add to Bowl. Pulse to chop, checking fineness after 2 - 3 pulses.
GARLIC, MINCED	Up to 5	HI	Drop clove(s) down food chute while unit is running.
MEAT, CHOPPED (RAW OR COOKED)	Up to 1 cup	HI	Cut meat into 1" (2.54 cm) cubes. Add to Bowl and pulse to chop.
NUTS, CHOPPED	2 cups	HI	Add to Bowl and process to chop.
ONIONS, CHOPPED	1	LOW	Quarter, and add to Bowl. Pulse 1 or 2 times to coarsely chop. For green onions, cut into 1" (2.54 cm) pieces and add up to 1 cup.
PARMESAN OR ROMANO CHEESE, GRATED	Up to 5 oz. (148 ml)	HI	Allow cheese to reach room temperature. Cut into 1" (2.54 cm) cubes. Add to Bowl and process to desired fineness.
PARSLEY, CHOPPED	Up to 2 cups	HI	Add to Bowl and pulse to chop to desired fineness, about 10-15 seconds. Process other herbs in same manner (basil, cilantro, mint).
PEPPER, GREEN CHOPPED	Up to 1 cup	LOW	Cut into 1" (2.54 cm) pieces. Add to Bowl and pulse to chop.
PIE DOUGH		HI	Follow food processor recipe for 1 or 2 standard size pie crusts.
SOUPS, PUREED OR CREAMED	3 cups	LOW	Add up to 3 cups (720 ml) hot (not boiling) vegetable soup for pureeing and creaming. Process to desired smoothness.
SQUASH (BUTTERNUT), MASHED	Up to 3 cups, 1" (2.54 cm) cubes	LOW	Add up to 3 cups (720 ml) cooked, cubed squash to Bowl. Process to puree. Works for pumpkin and sweet potatoes, also.
STRAWBERRIES, PUREED	2 cups	HI	Hull and halve large berries. Add to Bowl and process to chop.
TOMATOES, CHOPPED	2 medium	HI	Quarter tomatoes. Add up to 2 and pulse to desired fineness.

FOODS TO SLICE

FOOD	SPEED	COMMENTS
APPLE	HI	Quarter and stack horizontally in chute. Use firm pressure.
CABBAGE	HI	For coarsely shredded results, use slicing side of disc. Cut into pieces to fit chute. Empty Bowl as cabbage reaches disc.
CARROTS	HI	Cut into 4" (10.2 cm) lengths and pack in chute, alternating thick and thin ends.
CELERY	HI	Remove strings. Cut stalks into thirds. Pack chute for best results.
CUCUMBER	HI	Cut to fit chute if necessary.
MUSHROOMS	LOW	Cut a thin slice off cap of 2 mushrooms and position lengthwise, cut side flat on disc. Stack chute with additional mushrooms on their sides for lengthwise slices.
NUTS	HI	For coarsely chopped results, fill chute with nuts and slice.
ONIONS	HI	Quarter and fill chute, positioning onions upright for coarsely chopped results.
PEACHES/PEARS	LOW	Halve or quarter and core. Position upright in chute and slice using light pressure.
PEPPERS, GREEN	LOW	Halve and seed. Fit pepper up bottom of chute, squeezing slightly to fit if necessary. Cut large ones into quarters. Slice using moderate pressure.
PEPPERONI	HI	Cut into 3" (7.6 cm) lengths. Remove inedible casing. Slice 1 piece at a time using firm pressure.
POTATOES	HI	Peel if desired. Position in chute, cutting large potatoes in halves or thirds.
STRAWBERRIES	LOW	Hull. Arrange berries on their sides for lengthwise slices.
TOMATOES	HI	Use small tomatoes for whole slices; halve if necessary. Use gentle, but firm pressure.
TURNIPS	HI	Peel. Use small turnips for whole slices or cut larger turnips to fit chute.
ZUCCHINI	LOW	Slice off ends. Use small squash for whole slices; halve larger ones to fit chute.

Need Service Or Accessories?

Service, if necessary, must be performed by a Black & Decker Company-Owned or Authorized Household Appliance Service Center. The Service Center nearest you can be found in the yellow pages of your phone book under "Appliances — Small."

If mailing or shipping your Processor, pack it carefully in its original carton or any sturdy carton with enough packing material to prevent damage. Include a note describing the problem to our Service Center and be sure to give your return address. We also suggest that you insure the package for your protection.

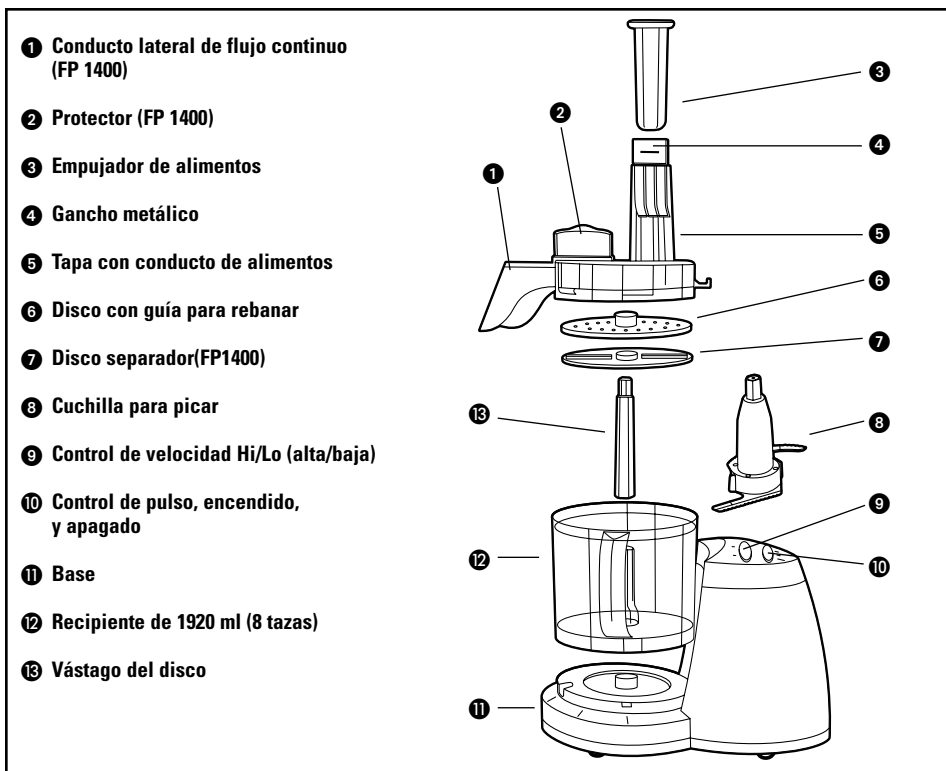
INSTRUCCIONES DE SEGURIDAD

Cuando se usan aparatos electrónicos, deben tomarse algunas precauciones incluyendo las siguientes:

■ **Por favor lea todas las instrucciones.**

- Para protegerse contra el riesgo de un choque eléctrico, no coloque la base, el cable, ni el enchufe en agua ni en ningún otro líquido.
- Se requiere la supervisión de cerca de un adulto al usarse esta unidad por, o cerca de un niño.
- Desconecte la unidad del tomacorriente cuando no esté en uso, cuando le quite o le ponga partes y antes de limpiarla. Para desconectarla, sujete el enchufe y jálelo de la pared. Nunca tire del cable.
- Evite el contacto con las partes en movimiento.
- No opere ningún aparato electrónico si el cable o el enchufe están dañados, si el aparato no funciona bien, si se ha dejado caer o si ha sufrido daño de cualquier naturaleza. Devuelva la unidad a un centro de servicio autorizado para que la examinen, reparen, o para que le ajusten cualquier falla mecánica o electrónica.
- El uso de accesorios no recomendados ni a la venta por el fabricante de la unidad puede causar incendio, choque eléctrico o lesiones personales.
- No use a la intemperie.
- No permita que el cable cuelgue del borde de la mesa o del mostrador ni que entre en contacto con superficies calientes.
- Mantenga las manos y los utensilios alejados de las cuchillas o los discos en movimiento mientras procesa los alimentos a fin de prevenir severas lesiones personales o daño al procesador. Puede usarse un utensilio siempre y cuando la unidad **NO** esté en funcionamiento.
- Las cuchillas tienen filo. Manéjelas con cuidado.
- Con el fin de evitar lesiones, asegúrese de introducir o retirar las cuchillas para picar o el disco para rebanar y desmenuzar sujetándolos siempre por las guías.
- Con el fin de evitar lesiones, nunca coloque la cuchilla para picar ni el disco para rebanar y desmenuzar sobre la base sin antes haber colocado el recipiente en su lugar. Asegúrese de que el motor, el disco, y/o la cuchilla hayan parado por completo antes de retirar la tapa.
- Asegúrese que la tapa esté cerrada apropiadamente antes de operar la unidad.
- Nunca introduzca los alimentos dentro del conducto con la mano. Use el empujador de alimentos.
- No trate de alterar el mecanismo del seguro de cierre de la tapa.
- No opere este aparato en presencia de gases explosivos y/o inflamables.
- Esta unidad ha sido diseñada únicamente para uso doméstico y no para uso comercial ni industrial.

CONSERVE ESTAS INSTRUCCIONES



1 Conducto lateral de flujo continuo (FP 1400)

2 Protector (FP 1400)

3 Empujador de alimentos

4 Gancho metálico

5 Tapa con conducto de alimentos

6 Disco con guía para rebanar

7 Disco separador (FP1400)

8 Cuchilla para picar

9 Control de velocidad Hi/Lo (alta/baja)

10 Control de pulso, encendido, y apagado

11 Base

12 Recipiente de 1920 ml (8 tazas)

13 Vástago del disco

ENCHUFE POLARIZADO

Esta unidad tiene un enchufe polarizado en el que un contacto es más ancho que el otro. Como medida de seguridad, el enchufe puede introducirse en la toma de corriente solamente en un sentido. Si el enchufe no se ajusta en su contacto, invértalo. Si aún así no se ajusta, busque la ayuda de un electricista. **Por ningún punto trate de alterar esta medida de seguridad.**

TORNILLO DE SEGURIDAD

Esta unidad viene equipada con un tornillo de seguridad para evitar que se le remueva la cubierta inferior. Con el fin de reducir el riesgo de incendio, o choque eléctrico, **no trate de retirar la cubierta inferior.** La unidad no contiene partes que requieren mantenimiento por dentro. Cualquier reparación deberá ser efectuada únicamente por personal de servicio autorizado.

EL CABLE ELÉCTRICO

La longitud del cable eléctrico de este aparato se ha seleccionado para reducir el peligro que puede ocasionar un cable más largo. De ser necesario un cable más largo, puede usarse un cable de extensión. La extensión debe de estar calificada para no menos de 10 amperes y 120 volts, y debe de estar enlistada por UL (Underwriters Laboratories) o una agencia equivalente. Cuando se use un cable más largo asegúrese de que no interfiera con el área de trabajo ni que cuelgue para evitar que alguien la jale o se tropiece. Maneje el cable con cuidado para mayor vida útil; no tire de él ni lo lastime de las uniones con la unidad y el enchufe.

Antes de usar por vez primera

- Al desempacar el producto, retire con cuidado el material de empaque ya que tanto la cuchilla para picar como el disco para rebanar y desmenuzar tienen mucho filo.
- Lave todas las partes con excepción de la base. Asegúrese de leer a cabalidad este manual de uso y cuidado prestando especial atención a las secciones "Como usar" y "Cuidado y

limpieza” para que aprenda los métodos correctos y necesarios para desarmar la unidad y como limpiarla.

NOTA CON RESPECTO AL USO: No trate de picar hielo en este procesador de alimentos; dañará el recipiente y hará que pierda el filo la cuchilla para picar. Esta unidad no bate crema, no bate las claras de huevo a punto de nieve, no muele café ni especias con alto contenido de aceite, no rebana huevos cocidos, dulces de malvavisco, ni quesos suaves.

CONTROLES

“On” (encendido) — Cuando se oprime este botón, la unidad funciona continuamente hasta oprimirse el botón “Off” (apagado). Se recomienda la posición “On” para procesar aderezos para ensaladas, pastas para untar, mantequilla de maní, dips, etc.

“Off” (apagado) — La unidad debe de permanecer en la posición “Off” siempre que no esté en uso.

Pulso — La posición de pulso debe de oprimirse y sostenerse para que funcione la unidad. Al soltarse, la unidad deja de funcionar. Use esta posición para las funciones cortas tales como, el picar nueces, carne cruda, o vegetales. Esto le permite supervisar el resultado de lo que está procesando y así controlar la contextura.

IMPORTANTE: Con el fin de protegerle, esta unidad cuenta con un sistema de seguro de cierre. El procesador no funcionará a menos que la guía de la tapa esté correctamente *asegurada dentro de la ranura de la base*. Asegúrese de girar la tapa dentro de la ranura hacia la posición “LOCK” (asegurada) hasta escuchar un clic. No trate de operar la unidad sin antes haber colocado la tapa debidamente en su lugar. Asegúrese de que el recipiente esté bien fijo en la base y que la base esté sobre una superficie plana, seca, y limpia antes de comenzar a procesar.

Uso del procesador

Como rebana o desmenuzar

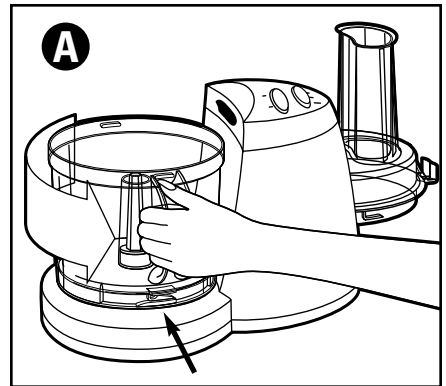
1. Coloque el recipiente sobre la guía del centro de la base con el asa hacia la izquierda. Gire el recipiente sobre la base hasta encajar. Oprima el recipiente para que entre en la base y asegúrese que la guía del seguro de cierre quede ajustada (A).

2. Para procesar alimentos dentro de otro recipiente o tazón, use el conducto de flujo continuo (Solamente en el modelo FP1400). Coloque el vástago del disco en la guía central de la base y deslice el disco separador sobre el vástago. **NOTA:** Asegúrese de colocar hacia arriba el lado apropiado del disco separador cuando procese vegetales de hojas o aquellos en general.

Las guías del disco separador deben de estar hacia arriba para los vegetales de hojas. Sujete el disco para rebana o desmenuzar por la guía o con mucho cuidado por el borde con el lado que desea usar hacia arriba y deslícelo para abajo contra el disco separador. **Recuérdese de retirar el protector del conducto de alimentos de la tapa.** Para procesar dentro del recipiente de la unidad, siga el mismo procedimiento pero no inserte el disco separador y asegúrese de que el protector esté colocado en su respectivo lugar. Coloque el gancho metálico dentro del conducto para centrar los alimentos y que las rebanadas resulten uniformes.

Para los modelos sin la característica del conducto de flujo continuo (FP1300), coloque el vástago del disco en la guía dentro del recipiente y sujete el disco para rebana y desmenuzar por la guía o con mucho cuidado por el borde con el lado que desea usar hacia arriba y deslícelo hacia abajo en el vástago del disco.

3. Coloque el conducto de alimentos/ tapa sobre el recipiente de modo que la guía quede viendo



la base. Gire la tapa para adentro hacia la base a la posición LOCK hasta escuchar un clic indicando que está en su lugar.

4. Enchufe el cable a una toma de corriente.

5. Use la tabla como guía para procesar alimentos rebanados o desmenuzados. Llene el conducto con los alimentos a procesar y sobre los alimentos coloque el empujador.

6. Seleccione la velocidad alta o baja, después aplique presión ligera pero firme sobre el empujador mientras oprime el control deseado ya sea el de pulso o de encendido.

NOTA: Permita que el procesador realice su función. El aplicar presión pesada no acelera la operación. No use el procesador continuamente por más de 3 minutos a la vez.

7. Después de procesar alimentos, oprima el botón "Off" (apagado) o suelte el control de pulso. Permita que el disco pare por completo. Gire la tapa hacia UNLOCK para retirarla.

8. Con cuidado saque el disco (y en el caso del modelo FP1400, el disco separador) del vástago, retire el vástago, quite el seguro de cierre girando el recipiente en dirección contraria a la base, y alce el recipiente.

Uso de la cuchilla para picar

La cuchilla para picar acelera muchas de las tareas rutinarias y ha sido diseñada para picar, migar, moler, partir y mezclar rápidamente.

1. Coloque el recipiente en la guía central de la base con el asa hacia la izquierda. Gire el recipiente sobre la base hasta caer en su lugar. Presione el recipiente para adentro hacia la base y asegúrese de que los seguros de cierre enganchen apropiadamente (consulte A).

2. Sujete la cuchilla por el vástago del centro y deslícela sobre la guía central. (B)

3. Coloque la tapa sobre el recipiente de modo que la guía quede viendo la base. Gire la tapa sobre la base a la posición LOCK hasta escuchar el clic que indica que ha caído en su lugar.

4. Enchufe el cable a una toma de corriente.

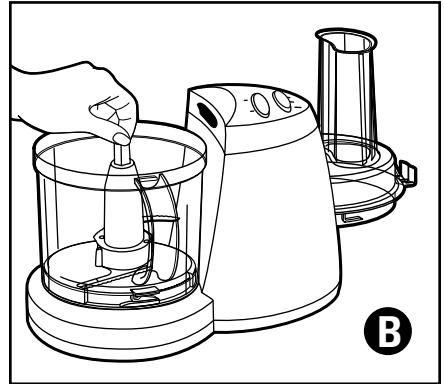
5. Use la tabla como guía para ayudarle a preparar los alimentos para picarlos/ partirlos, mezclarlos y migarlos. Llene el recipiente con los alimentos.

6. Seleccione la velocidad alta o baja, oprimiendo seguidamente el control deseado de pulso o de encendido. Cuando use el control de pulso,

manténgalo oprimido de 2-3 segundos antes de verificar los resultados; repita hasta obtener la consistencia deseada. Resulta mejor realizar varias operaciones cortas en vez de una prolongada a menos que esté mezclando ingredientes que requieran ser procesados por mayor tiempo.

7. Después de procesar alimentos, oprima el control "Off" (apagado) o suelte el botón de pulso. Permita que la cuchilla pare por completo. Gire la tapa hacia la posición UNLOCK para retirarla.

8. Sujete la cuchilla por el vástago y retírela. Desenganche el recipiente girándolo en dirección contraria a la base para poder alzarlo. Vacíe los alimentos procesados.



Cuidado y limpieza

NOTA: No trate de afilar los bordes de corte de la cuchilla ni del disco reversible. Vienen con filo de fábrica y se dañarán al tratar de afilarlos en casa.

Limpieza

1. Antes de limpiar, asegúrese de que la unidad esté apagada y que el cable esté desconectado.

2. Para facilitar la limpieza, cuando sea posible, enjuague las partes de la unidad inmediatamente después de haber procesado cualquier alimento.

3. Limpie la base y el inferior con un paño humedecido y séquelos bien. Las manchas persistentes pueden eliminarse frotando un paño humedecido con un limpiador suave, no-abrasivo. No sumerja la base en ningún líquido.
4. Todas las partes removibles pueden lavarse a mano o en la máquina lavaplatos. Para retirar el gancho metálico, simplemente deslícelo hacia arriba.
 - Si se lavan a mano, hágalo en agua caliente con jabón, enjuáguelas y séquelas bien. De ser necesario, puede usarse un cepillo de cerdas de nailon para limpiar detalladamente el recipiente y la tapa; este tipo de cepillo también previene el cortarse con el filo de la cuchilla o del disco.
 - Si usa la máquina lavaplatos, coloque las partes removibles de la unidad **únicamente** en la bandeja superior; nunca cerca ni dentro del compartimiento de los cubiertos.
 - Es posible que surjan manchas en algunas de las partes del procesador. Aplíqueles una pasta compuesta de 2 cucharadas de bicarbonato con 1 cucharada de agua y permita reposar de un día para otro. Enjuague y seque.
5. No use almohadillas de fibras abrasivas ni agentes limpiadores en las partes plásticas o metálicas de la unidad.
6. No llene el recipiente con agua hirviendo ni coloque ninguna de las partes de la unidad en agua hirviendo. Algunos alimentos tales como las zanahorias pueden manchar temporalmente el recipiente. Para eliminar las manchas, prepare una pasta con una cucharada de polvo de bicarbonato y dos cucharadas de agua tibia. Aplique la pasta a las manchas y frótelas con un paño. Enjuague con agua y jabón y seque bien.
7. No permita que la cuchilla, el disco para rebanar y desmenuzar, ni el disco separador (únicamente en el modelo FP1400) reposen en agua por mucho tiempo.

Consejos para procesar alimentos

Líquidos

- Los líquidos calientes (no hirviendo) y los alimentos calientes pueden procesarse en el recipiente.
- Asegúrese de procesar pocas cantidades de líquido — de 3 a menos tazas a la vez. Las cantidades más grandes pueden derramarse.

Tamaño de los alimentos, preparación, e introducción

- Cuando se usan diferentes alimentos para una misma receta, procese los ingredientes secos primero y los húmedos después. Esto reduce la cantidad de veces que se debe lavar y secar el recipiente.
- **Con el modelo FP1400**, se puede rebanar o desmenuzar en forma continua directamente dentro de otro recipiente o tazón para servir usando el conducto de flujo continuo con el disco separador. Esto resulta práctico especialmente cuando se está preparando una gran cantidad de ensalada de repollo ya que no hay necesidad de parar la unidad para vaciar las 8 tazas del recipiente. También le permite mezclar los demás ingredientes (mayonesa, vinagre, condimentos) directamente dentro del recipiente en el que va a servir la comida.
- **Ambos modelos el FP1300 y el FP1400** han sido diseñados para permitirle hacer uso del disco en combinación con la cuchilla para picar. Sólo tiene que colocar la cuchilla dentro del recipiente y oprimir el disco con el lado deseado (rebanar o desmenuzar) hacia abajo deslizándolo sobre el vástago de la cuchilla. El uso de estas dos partes juntas puede eliminar el tener que partir de antemano los alimentos en cubos — perfecto para desmenuzar y picar queso tal como el Parmesano cuando se desea un resultado de textura más fina.

Obstrucción en el conducto lateral de flujo continuo: (Modelo FP1400)

Ocasionalmente los alimentos rebanados o desmenuzados pueden obstruir el conducto lateral. A fin de que esto no suceda, por favor siga los siguientes consejos:

- Retírese por completo el protector cuando se use el conducto lateral de flujo continuo. Es

normal que algunos alimentos caigan dentro del recipiente del procesador.

- Use un recipiente grande de servir para recoger los alimentos que salpiquen del conducto y gírelo a medida se va llenando a fin de prevenir que los alimentos se acumulen dentro del conducto.
- Asegúrese de usar el disco separador por el lado correcto. La guía alta debe estar hacia arriba para los vegetales de hoja (lechuga, repollo, etc.) y para desmenuzar (zanahorias, zucchini, papas, etc.). Para rebanar otros alimentos, use el lado con la guía corta hacia arriba.
- Use el gancho metálico en el conducto para mantener los alimentos fijos, para obtener rebanadas completas, y permitir un flujo continuo.
- Use la velocidad baja para los alimentos que se hayan trabado anteriormente. Algunos alimentos como las zanahorias, tienden a trabarse y se obtienen mejores resultados procesándolas directamente dentro del recipiente de la unidad.
- En el caso de que se obstruya el conducto, no introduzca nada para tratar de destrabarlo. Apague y desconecte la unidad, y después desenganche la tapa o conducto para eliminar el bloqueo.

ALIMENTOS PARA REBANAR

ALIMENTO	VELOCIDAD	OBSERVACIONES
MANZANAS	Alta	Pártalas en cuatro y colóquelas horizontalmente en el conducto. Aplique presión firme.
REPOLLO	Alta	Para desmenuzar en tiras gruesas, use el lado del disco que rebana. Parta en trozos que puedan acomodarse dentro del conducto. Vacíe el recipiente a medida que el repollo alcanza el nivel del disco.
ZANAHORIAS	Alta	Parta en tiras de 10.2 cm (4") y colóquelas dentro del conducto, alternando un extremo grueso con uno fino.
APIO	Alta	Retire las venas y parta los tallos en tres partes. Para obtener mejores resultados, comprímalos dentro del conducto.
PEPINOS	Alta	De ser necesario, pártalos para acomodarlos en el conducto.
CHAMPIÑONES	Baja	Parta una lasca fina de la tapa de 2 champiñones y colóquelas a lo largo, parta el costado plano con el disco. Llene el conducto con el resto de los champiñones colocándolos de lado para rebanarlos a lo largo.
NUECES	Alta	Para una textura gruesa, llene el conducto y rebánelas.
CEBOLLAS	Alta	Pártalas en cuatro y colóquelas en el conducto en forma vertical para obtener una textura gruesa.
MELOCOTONES/PERAS	Baja	Parta por mitad o en cuatro y retire las semillas. Coloque verticalmente dentro del conducto y aplique ligera presión para rebanar.
PIMIENTOS, VERDES	Baja	Pártalos por mitad y retire las semillas. Introdúzcalos al conducto verticalmente, y si es necesario oprímalos ligeramente hasta acomodarlos. Parta los más grandes en cuatro y aplique presión moderada.
PEPERONI	Alta	Parta en tiras de 7.6 cm (3"). Retire la envoltura incomedible. Rebane aplicando presión firme.
PAPAS	Alta	Pele las papas si lo desea. Colóquelas en el conducto partiendo las más grandes por mitad o en tres partes.
FRESAS	Baja	Retire el tallo y colóquelas de lado para rebanarlas a lo largo.
TOMATES	Alta	Para obtener rebanadas enteras, use tomates pequeños o pártalos por mitad. Aplique presión ligera pero firme.
NABOS	Alta	Pele los nabos. Use nabos pequeños para obtener rebanadas enteras o parta los nabos para acomodarlos dentro del conducto.
ZUCCHINI	Baja	Parta los extremos. Use zuchinis pequeños para obtener rebanadas enteras o parta los zuchinis para acomodarlos dentro del conducto.

USOS DE LA CUCHILLA PARA PICAR

ALIMENTO	CANTIDAD	VELOCIDAD	OBSERVACIONES
COMIDA PARA BEBE	Hasta 2¼ de taza	Alta	Agregue hasta 600 ml (2½ tazas) de vegetales cocidos y carne dentro del recipiente, junto con 60 ml (¼ taza) de líquido/consomé. Procese hasta lograr la textura deseada.
MIGAJAS DE PAN	Hasta 4 tazas	Alta	Parta en cuatro las rebanadas de pan fresco o seco. Agregue al recipiente y procese hasta resultar en migajas finas.
MIGAJAS DE GALLETAS DULCES O SALADAS	Hasta 2 tazas	Alta	Procese galletas dulces, de vainilla o de chocolate. Parta en cuatro las galletas simples. Agregue hasta 480 ml (2 tazas) dentro del recipiente y procese hasta quedar finas.
HUEVOS COCIDOS, PICADOS	Hasta 6	Baja	Descasque los huevos y pártalos por mitad. Agréguelos al recipiente y píquelos con el control de pulso. Supervise la textura después de 2-3 pulsadas.
AJOS, PICADOS	Hasta 5	Alta	Deje caer los ajos dentro del recipiente con la unidad en funcionamiento.
CARNE PICADA (CRUDA O COCIDA)	Hasta 1 taza	Alta	Parta la carne en cubos de 2.54 cm (1"). Agréguela al recipiente y píquela con el control de pulso.
NUECES, PICADAS	2 tazas	Alta	Agréguelas al recipiente y procese para picarlas.
CEBOLLAS, PICADAS	1	Baja	Parta en cuatro y agréguelas al recipiente. Oprima el control de pulso de 1-2 veces para una textura gruesa. Los cebollinos verdes, pártalos en pedazos de 2.54 cm (1") y agregue hasta 1 taza a la vez.
QUESO PARMESANO O ROMANO, RALLADO	Hasta 148 ml (5 oz)	Alta	Permite que el queso alcance una temperatura ambiental. Parta en cubos de 2.51 cm (1"). Agréguelos al recipiente y procese a su gusto.
PEREJIL, PICADO	Hasta 2 tazas	Alta	Agregue al recipiente y píquelo de 10-15 segundos para obtener una textura deseable. Aplique el mismo método para procesar otras hierbas (albahaca, cilantro, hierba buena).
PIMIENTOS VERDES, PICADOS	Hasta 1 taza	Baja	Parta en pedazos de 2.54 cm (1"). Agréguelos al recipiente y píquelos con el control de pulso.
MASA DE PASTEL		Alta	Siga las indicaciones de la receta para procesar masa para 1 o 2 pasteles de tamaño corriente.
SOPAS DESECHAS O CREMADAS	3 tazas	Baja	Agregue hasta 720 ml (3 tazas) de sopa caliente (no hirviendo) para deshacerla o cremarla. Procese al gusto.
AYOTE DESECHO	Hasta 3 tazas en cubos de 2.54 cm (1")	Baja	Agregue hasta 720 ml (3 tazas) del ayote cocido dentro del recipiente y procéselo hasta hacerlo puré. De igual manera se pueden deshacer los camotes y lacalabaza.
FRESAS, DESECHAS	2 tazas	Alta	Retire el tallo y parta las fresas grandes por mitad. Agréguelas al recipiente y procéselas para picarlas.
TOMATES, PICADOS	2 medianos	Alta	Parta los tomates en cuatro. Agregue 2 a la vez y píquelos con el control de pulso hasta obtener el tamaño deseado.

ALIMENTOS PARA DESMENUZAR

ALIMENTO	VELOCIDAD	OBSERVACIONES
REPOLLO	Alta	Use el disco para desmenuzar para un repollo bien fino o para ensalada. Parta el repollo en pedazos y acomódelos dentro del conducto. Desmenuce aplicando presión ligera. Vacíe el recipiente a medida alcanza el nivel del disco.
ZANAHORIAS	Alta	Colóquelas dentro del conducto y desmenúcelas.
QUESO, CHEDDAR	Alta	Parta para acomodar el queso en el conducto. El queso debe de estar frío.
QUESO, MOZZARELLA	Alta	Parta para acomodar el queso en el conducto. Antes de desmenuzar el queso, enfríelo en el congelador por media hora. Aplique presión ligera al introducirlo al conducto.
PAPAS	Alta	Colóquelas en el conducto partiendo las más grandes por mitad o en tres partes.
ZUCCHINI	Baja	Pártalos para acomodarlos en el conducto ya sea horizontal o verticalmente.

¿Necesita servicio o accesorios?

Cualquier servicio de ser necesario, deberá realizarse por un centro de servicio autorizado o propio de Black & Decker. Puede encontrar el centro de servicio más cercano a usted, buscando en las páginas amarillas de la guía telefónica bajo "Enseres menores."

Si envía por correo el procesador, empáquelo con cuidado en un cartón resistente con suficiente material de empaque para evitar cualquier daño. Por favor incluya una nota para nuestro centro de servicio describiendo el problema. No se olvide de anotar su dirección y su número telefónico. Para su propia protección le sugerimos enviar el paquete asegurado.

IMPORTANTES MISES EN GARDE

Lorsqu'on utilise un appareil électrique, il faut toujours respecter certaines règles de sécurité fondamentales, notamment les suivantes.

- Lire toutes les directives.
- Afin d'éviter les risques de secousses électriques, ne pas immerger le socle, le cordon ni la fiche de l'appareil.
- Exercer une étroite surveillance lorsqu'on utilise l'appareil près d'un enfant ou que ce dernier s'en sert.
- Mettre hors tension et débrancher l'appareil avant de le nettoyer, d'y enlever ou ajouter un accessoire, et lorsqu'on ne s'en sert pas. Pour débrancher l'appareil, le mettre hors circuit, saisir la fiche et la tirer hors de la prise. Ne jamais tirer sur le cordon.
- Éviter de toucher aux pièces en mouvement.
- Ne pas utiliser un appareil dont la fiche ou le cordon est abîmé, qui présente un problème de fonctionnement, qui est tombé par terre ou qui est endommagé. Le rapporter au centre de service autorisé de la région pour le faire examiner, réparer ou régler.
- L'utilisation d'accessoires non recommandés ni vendus par le fabricant présente des risques d'incendies, de secousses électriques ou de blessures.
- Ne pas utiliser l'appareil à l'extérieur.
- Ne pas laisser pendre le cordon d'une table ou d'un comptoir. Ne pas laisser le cordon entrer en contact avec une surface chaude.

- Éloigner les mains et les ustensiles des disques ou du couteau en mouvement afin d'éviter les risques de blessures graves ou de dommages importants. On peut utiliser une spatule uniquement lorsque le robot ne fonctionne pas.
- Le couteau et les disques sont très tranchants; il faut donc les manipuler avec précaution.
- Se servir des moyeux pour installer ou retirer le couteau ou le disque afin d'éviter les risques de blessures.
- Pour éviter les risques de blessures, toujours bien ajuster le bol avant d'installer le couteau ou le disque sur le socle. Attendre l'immobilisation complète du moteur et du disque ou du couteau avant de retirer le couvercle.
- S'assurer que le couvercle est bien verrouillé en place avant de mettre l'appareil en marche.
- Ne jamais alimenter l'entonnoir à la main. Toujours se servir du poussoir.
- Ne pas tenter de rendre le mécanisme de verrouillage du couvercle inopérant.
- Ne pas utiliser l'appareil en présence de vapeurs explosives ou inflammables.
- L'appareil est conçu uniquement pour une utilisation domestique et non industrielle ou commerciale.

CONSERVER CES MESURES.

FICHE POLARISÉE

L'appareil est muni d'une fiche polarisée (une lame plus large que l'autre). Ce genre de fiche n'entre que d'une façon dans une prise polarisée, par mesure de sécurité. Lorsqu'on ne peut insérer la fiche à fond dans la prise, il faut tenter de le faire après avoir inversé les lames de côté. Si la fiche n'entre toujours pas dans la prise, il faut communiquer avec un électricien certifié. **Il ne faut pas neutraliser ce dispositif de sécurité.**

VIS INDESSERRABLE

L'appareil est doté d'une vis indesserrable empêchant l'enlèvement du couvercle inférieur. Pour réduire les risques d'incendie ou de secousses électriques, **ne pas tenter de retirer le couvercle inférieur.** L'utilisateur ne peut pas remplacer les pièces de l'appareil. En confier la réparation seulement au personnel des centres de service autorisés.

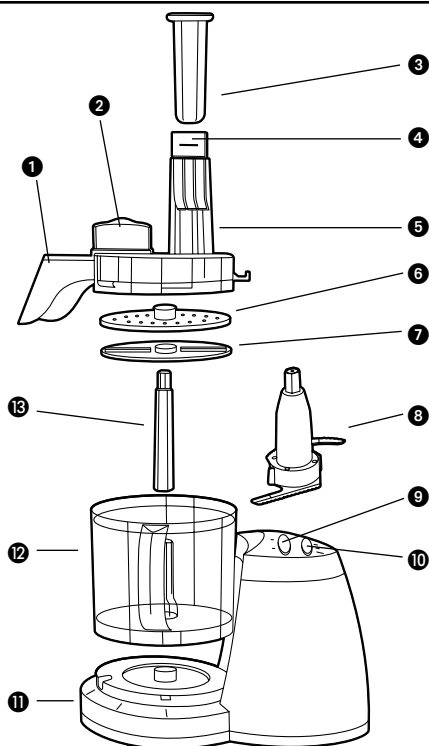
CORDON

La longueur du cordon de l'appareil a été choisie afin d'éviter les risques que présente un long cordon. Tout cordon de rallonge muni d'une fiche polarisée d'au moins 10 ampères, 120 volts, certifié par l'organisme *Underwriters Laboratories* (UL) ou tout autre organisme approprié, peut servir au besoin. Lorsqu'on utilise un cordon de rallonge, s'assurer qu'il ne traverse pas la surface de travail ni qu'il pend de façon qu'on puisse trébucher dessus. Manipuler le cordon avec soin afin d'en prolonger la durée; éviter de tirer dessus et de le soumettre à des contraintes près des prises ou des connexions de l'appareil.

Avant la première utilisation

- Lorsqu'on déballe l'appareil et qu'on enlève les matériaux d'emballage, manipuler avec soin le couteau et le disque éminceur-déchiquteur; ils sont extrêmement tranchants.
- Laver toutes les pièces à l'exception du socle. Bien lire le présent guide en accordant une attention particulière aux rubriques intitulées «Utilisation du robot culinaire» et «Entretien et nettoyage» afin de pouvoir démonter et nettoyer l'appareil convenablement.

- ❶ Orifice latéral à débit continu (modèle FP1400)
- ❷ Écran (modèle FP1400)
- ❸ Poussoir pour les aliments
- ❹ Doigts de retenue des aliments
- ❺ Couvercle avec entonnoir
- ❻ Disque éminceur-déchiquteur avec moyeu
- ❼ Disque de décharge (modèle FP1400)
- ❽ Couteau
- ❾ Commande de vitesses – basse ou élevée
- ❿ Commande de marche – arrêt – marche intermittente
- ⓫ Socle
- ⓬ Bol de 1 920 ml (8 t)
- ⓭ Tige du disque



NOTE RELATIVE À L'UTILISATION DU ROBOT : Il ne faut pas l'utiliser pour piler la glace car cela abîme le bol tout en émoussant le couteau. Le robot culinaire n'est pas conçu pour fouetter de la crème, monter des blancs d'œufs en neige, mouliner le café et les épices à haute teneur en huile, ni pour trancher ou déchiquter des œufs cuits durs, des guimauves ou des fromages à pâte molle.

COMMANDES

Marche (ON) — Lorsqu'on enfonce la touche de mise en marche (ON), le robot culinaire fonctionne jusqu'à ce que la commande d'arrêt (OFF) soit enfoncée. Utiliser cette commande pour les préparations de longue durée comme les vinaigrettes, les tartinades onctueuses, le beurre d'arachide et les trempettes.

Arrêt (OFF) — Le robot devrait toujours se trouver dans cette position lorsqu'il ne sert pas.

Marche intermittente (PULSE) — Il faut enfoncer le bouton-poussoir dans cette position (PULSE) et le maintenir enfoncé pour que le robot fonctionne dans ce mode. Lorsqu'on relâche le bouton-poussoir, l'appareil s'arrête. Utiliser cette commande pour les préparations de courte durée comme pour hacher des noix, ainsi que de la viande ou des légumes crus. Cette commande permet à l'utilisateur de vérifier les résultats et de contrôler le genre de préparation voulu.

IMPORTANT : Dans le but de protéger l'utilisateur, l'appareil est muni d'un dispositif d'asservissement. On ne peut pas utiliser le robot lorsque l'ergot du couvercle *n'est pas bien verrouillé dans la fente du socle*. S'assurer que le couvercle est bien tourné dans la *fente vers la position verrouillée (LOCK)* jusqu'à ce qu'il s'enclenche en place. Ne pas essayer de faire fonctionner l'appareil lorsque le couvercle n'est pas bien en place. S'assurer que le bol est verrouillé dans le socle et que ce dernier repose sur une surface plane, sèche et propre avant d'utiliser l'appareil.

Utilisation du robot culinaire

Utilisation du disque éminceur-déchetueur

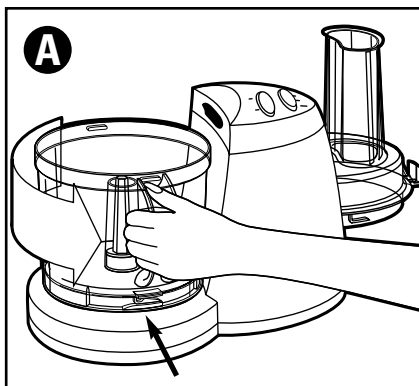
1. Placer le bol sur l'axe d'entraînement du socle avec la poignée à gauche. Faire tourner le bol vers le socle jusqu'à ce qu'il glisse en place.

Enclencher le bol dans le socle en s'assurant que les ergots de verrouillage sont en place (A).

2. Pour verser les aliments traités directement dans un bol de service ou de mélange au moyen de l'orifice à débit continu (**modèle FP1400**

seulement), installer la tige du disque sur l'axe d'entraînement dans le bol et faire glisser le disque de décharge sur la tige. **NOTE** : Placer le côté approprié du disque de décharge vers le haut lorsqu'on prépare des légumes en feuille ou tout autre légume. Les ergots du disque devraient être vers le haut dans ce cas. Saisir le disque éminceur-déchetueur par le moyeu ou soigneusement par son arête, en plaçant la face voulue (éminçage ou déchetuage) vers le haut. Puis, enfoncer le disque sur la tige au-dessus du disque de décharge.

Ne pas oublier de retirer l'écran du couvercle-entonnoir. Pour verser les aliments traités directement dans le bol, suivre les mêmes directives sans se servir du disque de décharge et en s'assurant que l'écran est bien enfoncé en place. Fixer les doigts de retenue des aliments sur l'entonnoir afin d'empêcher les aliments de basculer et pour obtenir des tranches uniformes.



Pour les modèles sans l'orifice à débit continu (modèle FP1300) Installer la tige du disque sur l'axe d'entraînement dans le bol. Saisir le disque éminceur-déchetueur par le moyeu ou soigneusement par son arête, en plaçant la face voulue (éminçage ou déchetuage) vers le haut. Puis, enfoncer le disque sur la tige.

3. Placer l'entonnoir-couvercle sur le bol de sorte que l'ergot soit face au socle. Faire tourner l'entonnoir-couvercle vers la mention LOCK du socle jusqu'à ce qu'il s'enclenche en place.

4. Brancher la fiche.

5. Consulter le tableau d'utilisation afin de faciliter le traitement des aliments à trancher ou à déchetuer. Remplir l'entonnoir et placer le poussoir sur les aliments.

6. Choisir la vitesse basse (LO) ou élevée (HI), puis appuyer légèrement mais fermement sur le poussoir tout en enfonçant la commande voulue (marche ou marche intermittente).

NOTE : Laisser l'appareil fonctionner. Une pression excessive n'accélère pas le processus. Ne pas laisser fonctionner le robot pendant plus de trois minutes à la fois.

7. Après avoir traité les aliments, relâcher la commande de marche intermittente ou enfoncer la commande d'arrêt. Attendre l'immobilisation complète du disque. Faire tourner l'entonnoir-couvercle vers la mention UNLOCK du socle afin de pouvoir le retirer.

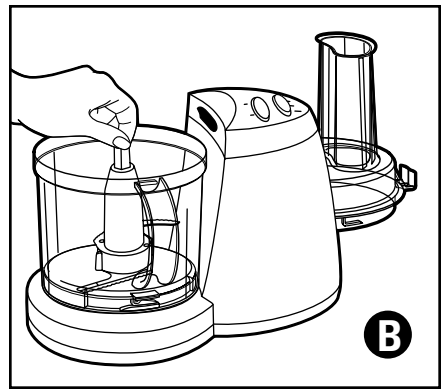
8. Saisir le moyeu du disque éminceur-déchetueur et retirer celui-ci (retirer également le disque de décharge dans le cas du modèle FP1400). Enlever la tige. Déverrouiller le bol en faisant tourner la poignée loin du socle et soulever le bol pour l'enlever.

Utilisation du couteau

On se sert du couteau pour accélérer de nombreuses tâches quotidiennes. Le couteau sert à hacher, à émietter, à mouder, à émincer et à mélanger rapidement.

1. Placer le bol sur l'axe d'entraînement du socle avec la poignée à gauche. Faire tourner le bol vers le socle jusqu'à ce qu'il glisse en place. Enclencher le bol dans le socle en s'assurant que les ergots de verrouillage sont en place (A).

2. Saisir la tige centrale du couteau et le faire glisser sur l'axe d'entraînement (B).
3. Placer l'entonnoir-couvercle sur le bol de sorte que l'ergot soit face au socle. Faire tourner l'entonnoir-couvercle vers la mention LOCK du socle jusqu'à ce qu'il s'enclenche en place.
4. Brancher la fiche.
5. Consulter le tableau d'utilisation afin de faciliter le traitement des aliments à hacher, à émietter, à moudre et à mélanger. Remplir le bol d'aliments.
6. Choisir la vitesse basse (LO) ou élevée (HI), puis enfoncer la commande voulue (marche ou marche intermittente). Lorsqu'on se sert de la marche intermittente, enfoncer la commande pendant 2 à 3 secondes, vérifier les résultats et répéter le cas échéant jusqu'à l'obtention de la consistance voulue. Mieux vaut utiliser de courts cycles de traitement qu'un long cycle, sauf lorsqu'on veut mélanger les aliments.
7. Après avoir traité les aliments, relâcher la commande de marche intermittente ou enfoncer la commande d'arrêt. Attendre l'immobilisation complète du couteau. Faire tourner l'entonnoir-couvercle vers la mention UNLOCK du socle afin de pouvoir le retirer.
8. Saisir la tige du couteau et retirer celui-ci. Déverrouiller le bol en faisant tourner la poignée loin du socle et soulever le bol pour l'enlever. Vider le bol.



Entretien et nettoyage

NOTE : Éviter d'affûter les lames du couteau ou du disque réversible. Elles ont été affûtées en permanence à l'usine et tout autre affûtage risque de les endommager.

Nettoyage

1. Avant de laver l'appareil, s'assurer qu'il est hors circuit et débranché.
2. Dans la mesure du possible, rincer immédiatement les pièces après utilisation afin d'en faciliter le nettoyage.
3. Essuyer le socle et les pattes à l'aide d'un chiffon humide et bien les assécher. On peut enlever les taches tenaces en les frottant avec un chiffon humide et un produit nettoyant doux et non abrasif. Éviter d'immerger le socle.
4. Toutes les pièces amovibles vont au lave-vaisselle ou on peut les laver à la main. Pour retirer les doigts de retenue des aliments, il suffit de tirer sur la portion de ceux-ci qui se pince.
 - Dans ce cas, utiliser de l'eau chaude savonneuse, bien les rincer et les assécher. Au besoin, utiliser une petite brosse à poils souples en nylon pour nettoyer à fond le bol et l'entonnoir-couvercle. La brosse permet également d'éviter de se couper sur le disque éminceur-déchetueur et sur le couteau.
 - Au lave-vaisselle, les pièces amovibles se placent sur le plateau supérieur; jamais dans le panier à ustensiles, ni près de ce dernier.
 - Certaines pièces peuvent se tacher. Préparer une pâte avec 2 cuillères à table de bicarbonate de soude et 1 cuillère à table d'eau; enduire les taches de cette pâte et laisser agir pendant la nuit. Rincer et assécher.
5. Éviter les tampons à récurer et les produits nettoyants abrasifs sur les pièces en plastique ou en métal.
6. Ne jamais remplir le bol d'eau bouillante. Ne jamais placer les pièces dans de l'eau bouillante. Certains aliments (comme les carottes) peuvent tacher temporairement le bol. Pour enlever de telles taches, mélanger une cuillère à table de bicarbonate de soude et deux cuillères à table d'eau chaude. Enduire les taches de ce produit et les froter à l'aide d'un chiffon. Rincer dans de l'eau savonneuse et assécher.
7. Ne pas laisser tremper longtemps le couteau, le disque éminceur-déchetueur ni le disque de décharge (modèle FP1400 seulement).

Techniques d'utilisation

Liquides

- On peut traiter des liquides et des aliments chauds, mais pas brûlants, dans le bol.
- Ne pas traiter plus de 720 ml (3 tasses) de liquides à la fois. Sinon, il risque d'y avoir des fuites entre le bol et le couvercle.

Taille, préparation et chargement des aliments

- Commencer par traiter les ingrédients secs puis les ingrédients humides lorsque la recette comporte plusieurs types d'aliments. On minimise ainsi le nombre de lavages du bol.
- Dans le cas du modèle FP1400, on peut verser les aliments traités directement dans un bol de service ou de mélange en se servant de l'orifice à débit continu et du disque de décharge. Cet accessoire est parfait pour préparer de grandes quantités d'aliments comme du chou car il n'est pas nécessaire de vider le bol lorsqu'il est à pleine capacité. On peut également mélanger dans le bol d'autres ingrédients (comme de la mayonnaise, du vinaigre et des épices).
- Les deux modèles FP1300 et FP1400 sont conçus pour servir avec le disque éminceur-déchiporteur et le couteau simultanément. Il suffit de déposer le couteau dans le bol puis de faire glisser le disque avec la face voulue vers le bas sur le moyeu du couteau. Lorsqu'on utilise les deux pièces simultanément, il ne faut pas être nécessaire de couper les aliments en cubes au préalable. Parfait lorsqu'on râpe du fromage, comme du parmesan, pour obtenir des résultats plus fins.

Blocage de l'orifice latéral à débit continu (Modèle FP1400 seulement)

Il arrive parfois que des aliments tranchés ou déchiportés bloquent l'orifice latéral. Faire ce qui suit afin d'éviter le blocage.

- S'assurer que l'écran est retiré avant de se servir de l'orifice latéral à débit continu. Il se peut que certains morceaux tombent dans le bol du robot.
- Utiliser un grand bol de service pour ramasser les aliments qui sont éjectés de l'orifice latéral et faire tourner le bol à mesure qu'il se remplit afin de prévenir les accumulations d'aliments dans l'orifice d'écoulement.
- S'assurer d'utiliser le côté approprié du disque de décharge; pour les légumes en feuille (laitue, chou, entre autres) et pour déchiporter (des carottes, des zucchini, des pommes de terre, entre autres), placer le grand ergot vers le haut; pour trancher tout autre aliment, placer l'ergot court vers le haut.
- Utiliser les doigts de retenue des aliments avec l'orifice latéral pour maintenir les aliments en place, obtenir des tranches complètes et assurer une alimentation continue.
- Se servir de la basse vitesse pour des aliments qui ont déjà bloqué. Certains aliments (comme les carottes) ont tendance à bloquer et on peut obtenir de meilleurs résultats en les traitant directement dans le bol du robot.
- En cas de blocage, ne jamais rien insérer dans l'entonnoir pour tenter de débloquer l'aliment.

ALIMENTS À DÉCHIQUETER

ALIMENT	VITESSE	CONSEILS PRATIQUES
CHOU	ÉLEVÉE	Utiliser le disque déchiporteur pour hacher finement. Couper des morceaux assez petits pour passer dans l'entonnoir. Appuyer légèrement sur le poussoir. Vider le bol lorsque le chou atteint le disque.
CAROTTES	ÉLEVÉE	Placer dans l'entonnoir et déchiporter.
FROMAGE, CHEDDAR	ÉLEVÉE	Couper des morceaux assez petits pour passer dans l'entonnoir. Le fromage doit être bien froid.
FROMAGE, MOZZARELLA	ÉLEVÉE	Couper des morceaux assez petits pour passer dans l'entonnoir. Laisser le fromage au congélateur pendant 30 minutes avant de le déchiporter. Exercer une légère pression sur le poussoir.
POMMES DE TERRE	ÉLEVÉE	Placer dans l'entonnoir. Couper les gros légumes en deux ou en quatre.
COURGETTE (ZUCCHINI)	BASSE	Couper pour que le légume passe à l'horizontale ou à la verticale dans l'entonnoir.

Mettre l'appareil hors tension et le débrancher, puis dévisser le couvercle-entonnoir afin de nettoyer le blocage.

UTILISATION DU COUTEAU

ALIMENT	QUANTITÉ	VITESSE	CONSEILS PRATIQUES
NOURRITURE POUR BÉBÉS	Jusqu'à 660 ml (2¾ t)	ÉLEVÉE	Verser jusqu'à 600 ml (2½ t) de légumes et de viande cuits dans le bol avec 60 ml (¼ t) du jus ou bouillon de cuisson. Traiter jusqu'à l'obtention de la consistance voulue.
PANURE	Jusqu'à 4 tranches	ÉLEVÉE	Casser le pain frais ou sec en morceaux et le déposer dans le bol. Émietter le pain jusqu'à l'obtention de la consistance voulue.
BISCUITS SUCRÉS OU SALÉS, EN MIETTES	Jusqu'à 480 ml (2 t)	ÉLEVÉE	Pour émietter des biscuits Graham, ainsi que des biscuits au chocolat ou à la vanille. Casser les gros biscuits en quatre. Déposer jusqu'à 480 ml (2 t) de biscuits dans le bol. Traiter jusqu'à l'obtention de la consistance voulue.
OEUFS (DURS), HACHÉS	Jusqu'à 6	BASSE	Écaler les oeufs, les assécher et les couper en deux. Les déposer dans le bol. Utiliser la marche intermittente en vérifiant après 2 ou 3 impulsions.
AIL, ÉMINCÉ	Jusqu'à 5	ÉLEVÉE	Mettre le robot en marche et insérer les gousses dans l'entonnoir.
VIANDE HACHÉE (FRAÎCHE OU CUITE),	Jusqu'à 240 ml (1 t)	ÉLEVÉE	Couper en cubes de 2,54 cm (1 po). Traiter à la marche intermittente jusqu'à l'obtention de la consistance voulue.
NOIX, HACHÉES	480 ml (2 t)	ÉLEVÉE	Les déposer dans le bol. Traiter jusqu'à l'obtention de la consistance voulue.
OIGNONS, HACHÉS	1	BASSE	Couper en quatre et déposer dans le bol. Utiliser la marche intermittente 1 ou 2 fois pour hacher grossièrement. Couper les oignons verts en morceaux de 2,54 cm (1 po); traiter 240 ml (1 t) à la fois.
PARMESAN OU ROMANO RÂPÉ	Jusqu'à 148 ml (5 oz)	ÉLEVÉE	Le fromage doit être à la température ambiante. Couper en cubes de 2,54 cm (1 po). Déposer le fromage dans le bol et traiter jusqu'à l'obtention de la consistance voulue.
PERSIL, HACHÉ	Jusqu'à 480 ml (2 t)	ÉLEVÉE	Déposer dans le bol et utiliser la marche intermittente pendant environ 10 à 15 secondes jusqu'à l'obtention de la consistance voulue. Traiter d'autres herbes (comme du basilic, de la coriandre et de la menthe) de la même façon.
POIVRONS VERTS, HACHÉS	Jusqu'à 240 ml (1 t)	BASSE	Couper en morceaux de 2,54 cm (1 po). Déposer dans le bol et utiliser la marche intermittente jusqu'à l'obtention de la consistance voulue.
PÂTE À TARTE		ÉLEVÉE	Suivre les consignes de la recette du robot pour une ou deux croûtes à tarte standard.
PURÉES OU CRÈMES	720 ml (3 t)	BASSE	Verser jusqu'à 720 ml (3 t) de soupe aux légumes chaude (pas bouillante) afin de réduire en purée ou en crème. Traiter jusqu'à l'obtention de la consistance voulue.
COURGE D'HIVER, EN PURÉE	Jusqu'à 720 ml (3 t), en cubes de 2,54 cm (1 po)	BASSE	Déposer jusqu'à 720 ml (3 t) de courge cuite en cubes dans le bol. Réduire en purée. Vaut également pour de la citrouille et des patates sucrées.
FRAISES, EN PUREN PURÉE	480 ml (2 t)	ÉLEVÉE	Équeuter les fruits et couper les plus gros en deux. Les déposer dans le bol et les traiter.
TOMATES, HACHÉES	2 moyennes	ÉLEVÉE	Couper les tomates en quartiers. Hacher jusqu'à 2 tomates à la fois et utiliser la marche intermittente jusqu'à l'obtention de la consistance voulue.

ALIMENTS À ÉMINCER

ALIMENT	VITESSE	CONSEILS PRATIQUES
POMMES	ÉLEVÉE	Empiler les quartiers à l'horizontale. Appuyer fermement sur le poussoir.
CHOU	ÉLEVÉE	Pour hacher grossièrement, utiliser le disque éminceur. Couper des morceaux assez petits pour passer dans l'entonnoir. Vider le bol lorsque le chou atteint le disque.
CAROTTES	ÉLEVÉE	Couper en morceaux de 10,2 cm (4 po) et placer à la verticale dans l'entonnoir en alternant les extrémités larges et minces.
CÉLÉRI	ÉLEVÉE	Enlever les fibres et couper chaque branche transversalement en trois. Afin d'optimiser les résultats, remplir l'entonnoir.
CONCOMBRES	ÉLEVÉE	Couper pour qu'il entre dans l'entonnoir (le cas échéant).
CHAMPIGNONS	BASSE	Couper une tranche mince sur un côté de 2 champignons. Placer le côté coupé directement sur le disque. Placer le reste des champignons de côté pour couper dans le sens de la longueur.
NOIX	ÉLEVÉE	Pour hacher grossièrement, remplir l'entonnoir et traiter.
OIGNONS	ÉLEVÉE	Couper en quartiers et remplir l'entonnoir. Placer les oignons à la verticale pour hacher grossièrement.
PÊCHES, POIRES	BASSE	Les couper en deux ou en quatre et en retirer le noyau ou le cœur. Placer à la verticale dans l'entonnoir et les trancher en appuyant légèrement sur le poussoir.
POIVRONS, VERTS	BASSE	Couper les poivrons en deux et les vider. Les placer au fond de l'entonnoir en pressant doucement les côtés. Couper les gros poivrons en quatre. Les trancher en appuyant modérément sur le poussoir.
PEPPERONI	ÉLEVÉE	Couper en morceaux d'une longueur de 7,6 cm (3 po) et retirer l'enveloppe non comestible. Trancher un morceau à la fois en appuyant fermement sur le poussoir.
POMMES DE TERRE	ÉLEVÉE	Peler les pommes de terre (au goût). Couper les grosses pommes de terre en deux ou en trois.
FRAISES	BASSE	Équeuter les fraises et les placer sur le côté dans l'entonnoir afin d'obtenir des tranches sur le sens de la longueur.
TOMATES	ÉLEVÉE	Choisir des tomates assez petites pour obtenir des tranches complètes. Couper les grosses tomates en deux. Exercer une pression légère, mais ferme sur le poussoir.
RUTABAGAS	ÉLEVÉE	Peler. Utiliser de petits rutabagas qui passent dans l'entonnoir pour obtenir des tranches complètes ou couper les gros légumes pour qu'ils passent dans l'entonnoir.
COURGETTE (ZUCCHINI)	BASSE	Couper les extrémités. Utiliser de petits légumes pour obtenir des tranches complètes ou couper les gros légumes pour qu'ils passent dans l'entonnoir.

Entretien ou accessoires?

Confier l'entretien du produit, le cas échéant, à un centre de service Black & Decker ou un atelier d'entretien autorisé. On peut trouver dans les Pages Jaunes, sous la rubrique «Appareils électroménagers – Petits – Réparations», l'adresse du centre de service de la région.

Lorsqu'on poste ou qu'on expédie l'appareil, l'emballer dans l'emballage original ou dans une boîte de carton solide en prenant soin de l'immobiliser afin qu'il ne subisse aucun dommage. Joindre à l'intention du personnel du centre de service une lettre explicative énonçant le problème, sans oublier de donner l'adresse de retour. Il est également recommandé d'assurer le colis.

FULL ONE-YEAR WARRANTY


Household Products warrants this product against any defects that are due to faulty material or workmanship for a one-year period after the original date of consumer purchase or receipt as a gift. This warranty does not include damage to the product resulting from accident or misuse. If the product should become defective within the warranty period, we will repair it or elect to replace it free of charge. We will return your product, transportation charges prepaid, provided it is delivered prepaid to any Black & Decker Company-Owned or Authorized Household Appliance Service Center. This warranty gives you specific legal rights and you may also have other rights which vary from state to state or province to province. Answers to any questions regarding warranty or service locations may be obtained by calling Consumer Assistance and Information toll free: 1-800-231-9786.

UN AÑO COMPLETO DE GARANTIA

Household Products garantiza este producto contra cualquier defecto originado por fallas en los materiales o en la mano de obra por un período de un año a partir de la fecha original de compra. Esta garantía no incluye daños al producto ocasionados por accidentes, mal uso, ni como resultado de reparaciones efectuadas por personas no autorizadas. Si el producto resulta con defectos dentro del período de garantía, conforme sea necesario, lo repararemos o reemplazaremos libre de cargo. Para que esta garantía sea válida debe presentar el producto con su recibo de compra y/o la tarjeta de registro correspondiente. Esta garantía le otorga derechos específicos, y usted podría tener otros que pueden variar en su país. Si tiene alguna pregunta, comuníquese con una sucursal o centro de servicio Black & Decker más cercano.

GARANTIE COMPLÈTE DE UN AN

Household Products garantit le produit pour un an à compter de la date d'achat ou de réception en cadeau, contre tout vice de matière ou de fabrication. La garantie ne couvre pas les dommages causés par un accident ou une mauvaise utilisation. Advenant le fonctionnement irrégulier du produit dans les délais prescrits, il sera réparé ou remplacé, à notre gré, sans frais. Le produit sera retourné, port payé, s'il a été envoyé, port payé, à un centre de service autorisé Black & Decker ou à un atelier autorisé de réparation d'appareils électroménagers. Les modalités de la présente garantie donnent des droits légaux spécifiques. L'utilisateur peut également se prévaloir d'autres droits selon l'état ou la province qu'il habite. Adresser toute question relative à la garantie et au service en communiquant sans frais avec le service à la clientèle au 1 (800) 231-9786.

*  **BLACK & DECKER**® is a trademark of The Black & Decker Corporation, Towson, Maryland, USA

*Marca registrada de *The Black & Decker Corporation*, Towson, Maryland, E.U.

*Marque de commerce déposée de la société *The Black & Decker Corporation*, Towson, Maryland, É.-U.



Listed by Underwriters Laboratories, Inc.
NOM Approved
Copyright © 1999 Household Products, Inc.
Pub. No. 174824-00-RV00
Product made in People's Republic of China
Printed in People's Republic of China

Enlistado por Underwriters Laboratories, Inc.
Aprobado por NOM
IMPORTADOR - Household Products Limited de México S. de R.L. de C.V.
Acceso III No. 26 Fracc. Industrial B. Juárez
C.P. 76120, Querétaro, QRO, México
Teléfono: (42) 11-7800
Producto hecho en la República Popular China
Impreso en la República Popular China

Certifié par l'organisme *Underwriters Laboratories, Inc.*
Approuvé par l'organisme NOM
Produit fabriqué en République populaire de Chine
Imprimé en République populaire de Chine

Free Manuals Download Website

<http://myh66.com>

<http://usermanuals.us>

<http://www.somanuals.com>

<http://www.4manuals.cc>

<http://www.manual-lib.com>

<http://www.404manual.com>

<http://www.luxmanual.com>

<http://aubethermostatmanual.com>

Golf course search by state

<http://golfingnear.com>

Email search by domain

<http://emailbydomain.com>

Auto manuals search

<http://auto.somanuals.com>

TV manuals search

<http://tv.somanuals.com>