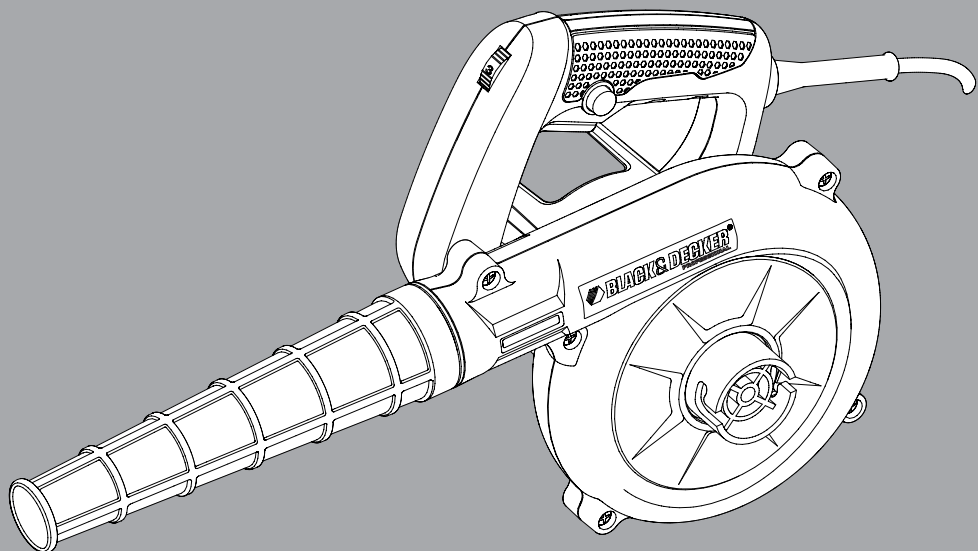


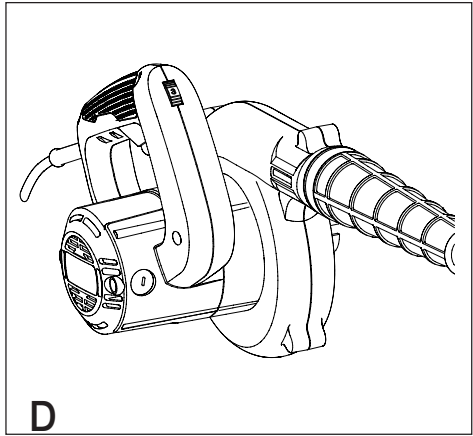
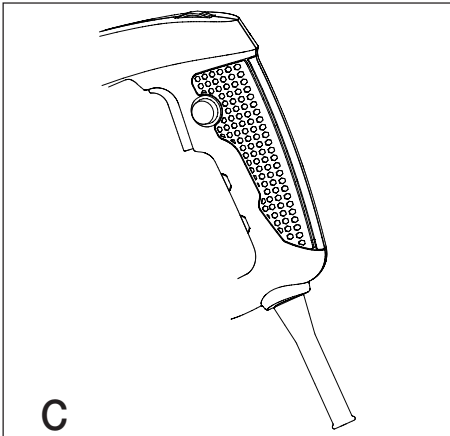
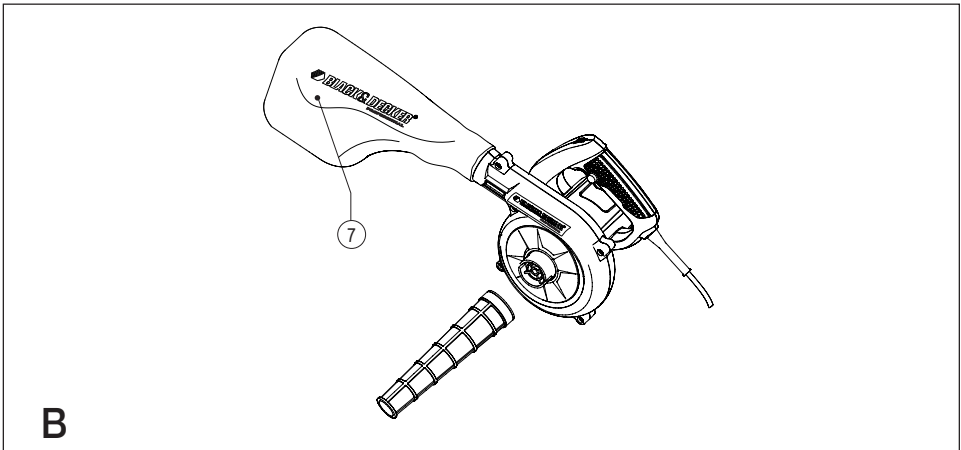
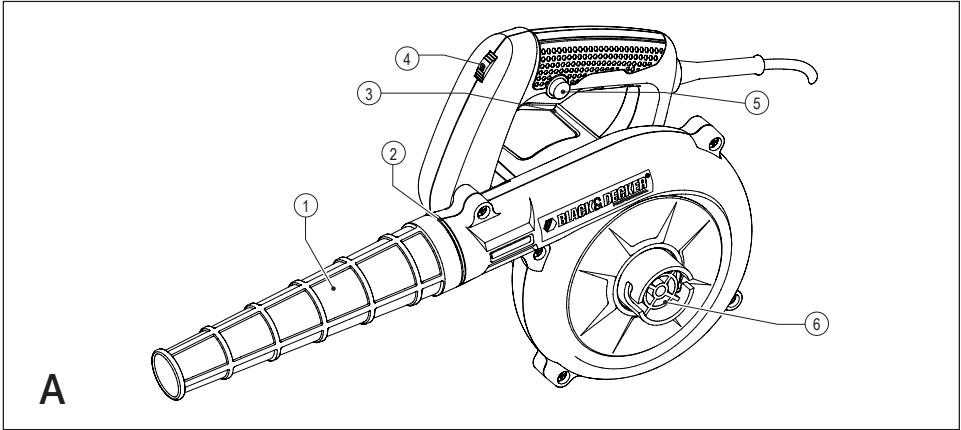
**PRO  
LINE**

**BLACK&DECKER®**



[www.blackanddecker.ae](http://www.blackanddecker.ae)

**BPPT600**



## Parts Identification

1. Nozzle
2. Blast Port
3. Trigger Switch
4. Variable Speed Knob
5. Lock-On Button
6. Suction Port
7. Dust Bag

## Intended use

Your Black & Decker Blower has been designed for blowing & cleaning applications, as well as light suction purpose.

## General Power Tool Safety Warnings



**WARNING** Read all safety warnings and instructions. Failure to follow the warnings and instructions may result in electric shock, fire and/or serious injury.

### Save all warnings and instructions for future reference

The term "power tool" in the warnings refers to your mains-operated (corded) power tool or battery-operated (cordless) power tool.

#### 1) Work area safety

- a) **Keep work area clean and well lit.** Cluttered or dark areas invite accidents.
- b) **Do not operate power tools in explosive atmospheres, such as in the presence of flammable liquids, gases or dust.** Power tools create sparks which may ignite the dust or fumes.
- c) **Keep children and bystanders away while operating a power tool.** Distractions can cause you to lose control.

#### 2) Electrical safety

- a) **Power tool plugs must match the outlet. Never modify the plug in any way. Do not use any adapter plugs with earthed (grounded) power tools.** Unmodified plugs and matching outlets will reduce risk of electric shock.
- b) **Avoid body contact with earthed or grounded surfaces such as pipes, radiators, ranges and refrigerators.** There is an increased risk of electric shock if your body is earthed or grounded.

- c) **Do not expose power tools to rain or wet conditions.** Water entering a power tool will increase the risk of electric shock.
- d) **Do not abuse the cord. Never use the cord for carrying, pulling or unplugging the power tool. Keep cord away from heat, oil, sharp edges or moving parts.** Damaged or entangled cords increase the risk of electric shock.
- e) **When operating a power tool outdoors, use an extension cord suitable for outdoor use.** Use of a cord suitable for outdoor use reduces the risk of electric shock.
- f) **If operating a power tool in a damp location is unavoidable, use a residual current device (RCD) protected supply.** Use of an RCD reduces the risk of electric shock.

#### 3) Personal safety

- a) **Stay alert, watch what you are doing and use common sense when operating a power tool. Do not use a power tool while you are tired or under the influence of drugs, alcohol or medication.** A moment of inattention while operating power tools may result in serious personal injury.
- b) **Use personal protective equipment. Always wear eye protection.** Protective equipment such as dust mask, non-skid safety shoes, hard hat, or hearing protection used for appropriate conditions will reduce personal injuries.
- c) **Prevent unintentional starting. Ensure the switch is in the off position before connecting to power source and/or battery pack, picking up or carrying the tool.** Carrying power tools with your finger on the switch or energising power tools that have the switch on invites accidents.
- d) **Remove any adjusting key or wrench before turning the power tool on.** A wrench or a key left attached to a rotating part of the power tool may result in personal injury.
- e) **Do not overreach. Keep proper footing and balance at all times.** This enables better control of the power tool in unexpected situations.
- f) **Dress properly. Do not wear loose clothing or jewellery. Keep your hair, clothing and gloves away from moving parts.** Loose clothes, jewellery or long hair can be caught in moving parts.

- g) If devices are provided for the connection of dust extraction and collection facilities, ensure these are connected and properly used.** Use of dust collection can reduce dust-related hazards.
- 4) Power tool use and care**
- a) Do not force the power tool. Use the correct power tool for your application.** The correct power tool will do the job better and safer at the rate for which it was designed.
- b) Do not use the power tool if the switch does not turn it on and off.** Any power tool that cannot be controlled with the switch is dangerous and must be repaired.
- c) Disconnect the plug from the power source and/or the battery pack from the power tool before making any adjustments, changing accessories, or storing power tools.** Such preventive safety measures reduce the risk of starting the power tool accidentally.
- d) Store idle power tools out of the reach of children and do not allow persons unfamiliar with the power tool or these instructions to operate the power tool.** Power tools are dangerous in the hands of untrained users.
- e) Maintain power tools. Check for misalignment or binding of moving parts, breakage of parts and any other condition that may affect the power tool's operation. If damaged, have the power tool repaired before use.** Many accidents are caused by poorly maintained power tools.
- f) Keep cutting tools sharp and clean.** Properly maintained cutting tools with sharp cutting edges are less likely to bind and are easier to control.
- g) Use the power tool, accessories and tool bits etc., in accordance with these instructions taking into account the working conditions and the work to be performed.** Use of the power tool for operations different from those intended could result in a hazardous situation.
- 5) Service**
- a) Have your power tool serviced by a qualified repair person using only identical replacement parts.** This will ensure that the safety of the power tool is maintained.

## Additional Safety Instructions for Blowers

- Do not collect still smoldering cigarette ashes, freshly cut metals shaving, screws, nails and the like.
- Never block suction inlet and outlet.
- Do not cross gravel paths or roads whilst your product is switched on during blow/vac mode. Walk, never run.

- Always be sure of your footing, particularly on slopes.
- Do not overreach and keep your balance at all times.
- Do not place the inlet or outlet of the vacuum near eyes or ears when operating. Never blow debris in the direction of bystanders.
- Keep all cooling air inlets clear of debris.
- To protect your feet and legs while operating the appliance, always wear heavy duty footwear and long trousers.
- Never allow children to use the appliance.
- Wear protective goggles while operating.
- If operating an appliance in a damp location is unavoidable, use a Residual Current Device (RCD) with a tripping current of not more than 30mA protected supply. Use of an RCD reduces the risk of electric shock.
- To prevent dust irritation the wearing of a face mask is recommended.
- Disconnect the appliance from the mains supply
  - whenever you leave the machine;
  - before cleaning a blockage;
  - before checking, cleaning or working on the appliance;
  - if the appliance starts to vibrate abnormally.
- Store the appliance only in a dry place.

## Warning symbols



Do not use in the rain or leave outdoors while it is raining.



Always wear eye protection.



Always wear ear protection.



Keep bystanders away.



Do not touch the fan.



Switch off: Remove plug from mains before cleaning or maintenance

## Labels on tool

The following symbols are shown on the tool:



**Warning!** To reduce the risk of injury, the user must read the instruction manual.

## Position of Date Barcode

The Date Code which also includes the year of manufacture, is printed into the housing.

Example:

2014 XX JN  
Year of manufacturing

## Electrical safety



This tool is double insulated; therefore no earth wire is required. Always check that the power supply corresponds to the voltage on the rating plate.

If the supply cord is damaged, it must be replaced by the manufacturer or an authorised Black and Decker Service centre in order to avoid a hazard.

The extension cable must be suitable for outdoor use and marked accordingly. Up to 0.75 mm<sup>2</sup> H05VV-F or H05RN-F extension cable can be used without loss of product performance.

## Features

This tool includes the following features:

1. Nozzle
2. Blast Port
3. Trigger Switch
4. Variable Speed Knob
5. Lock-On Button
6. Suction Port
7. Dust Bag

## Assembly

**Warning!** Before assembly, make sure that the tool is switched off and unplugged.

## Use

### Mounting The Nozzle For Blowing Operations (fig. A)

- Insert the pin located inside the Nozzle into the notch provided on the Blast Port (1)
- To lock Nozzle in place, turn the Nozzle in the direction indicated.
- To remove Nozzle, turn the Nozzle in the opposite direction.

### Mounting The Nozzle And Dust For DustCollection (fig. B)

- For dust collection, mount the Dust Bag at the Blast Port (2) and Nozzle at the Suction Port (6)

- To remove Dust Bag and Nozzle, simply pull out by first turning in the opposite direction.
- Empty the Dust Bag frequently to ensure maximum dust collecting efficiency.

## Operating The Blower (fig. C)

- To switch your Blower on, depress the Switch (3). To stop your Blower, release Switch.
- Adjust Variable Speed Knob (4) for different speed requirement.
- When continuous operation is required, first depress the switch and then the lock-on button (5) and release to disengage lock, squeeze and release switch.

**Warning:** Continuous running of machine should not exceed 30 minutes.

## Replacing Carbon Brushes (fig. D)

- Use a screwdriver to remove the brush holder cap.
- Take out the worn carbon brush, insert the new one and secure the brush hold cap.

**Warning!** Remove and check the carbon brushes regularly. zReplace when they wear down to the limit mark.

## Accessories

The performance of your tool depends on the accessory used. Black & Decker and Piranha accessories are engineered to high quality standards and designed to enhance the performance of your tool. By using these accessories you will get the very best from your tool.

## Maintenance

Your tool has been designed to operate over a long period of time with a minimum of maintenance. Continuous satisfactory operation depends upon proper tool care and regular cleaning.

**Warning!** Before performing any maintenance, switch off and unplug the tool.

- Regularly clean the ventilation slots in your tool using a soft brush or dry cloth.
- Regularly clean the motor housing using a damp cloth. Do not use any abrasive or solvent-based cleaner.

## Technical data

		BPPT600
Voltage	V	220 - 240
Frequency	Hz	50/60
Power	W	600
No-load speed	/min	0-16,000
Air Volume	m <sup>3</sup> /min	3.5
Weight	Kg	1.6

## Protecting the environment



Separate collection. This product must not be disposed of with normal household waste.

Should you find one day that your Black & Decker product needs replacement, or if it is of no further use to you, do not dispose of it with household waste. Make this product available for separate collection.



Separate collection of used products and packaging allows materials to be recycled and used again.

Reuse of recycled materials helps prevent environmental pollution and reduces the demand for raw materials.

Local regulations may provide for separate collection of electrical products from the household, at municipal waste sites or by the retailer when you purchase a new product.

Black & Decker provides a facility for the collection and recycling of Black & Decker products once they have reached the end of their working life. To take advantage of this service please return your product to any authorised repair agent who will collect them on our behalf.

You can check the location of your nearest authorised repair agent by contacting your local Black & Decker office at the address indicated in this manual. Alternatively, a list of authorised Black & Decker repair agents and full details of our after-sales service and contacts are available on the Internet at: [www.2helpU.com](http://www.2helpU.com).

## Guarantee

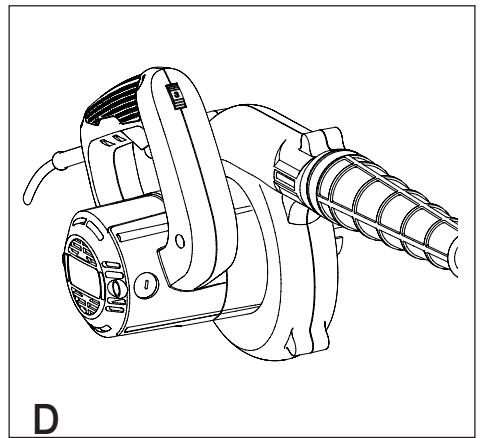
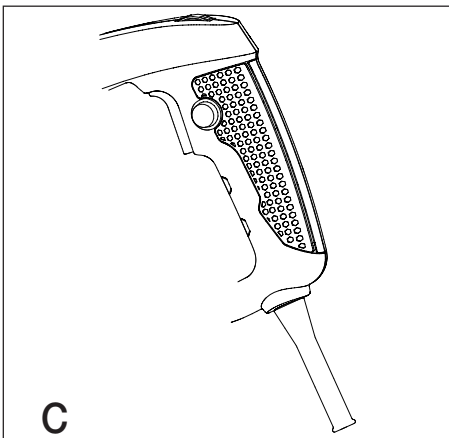
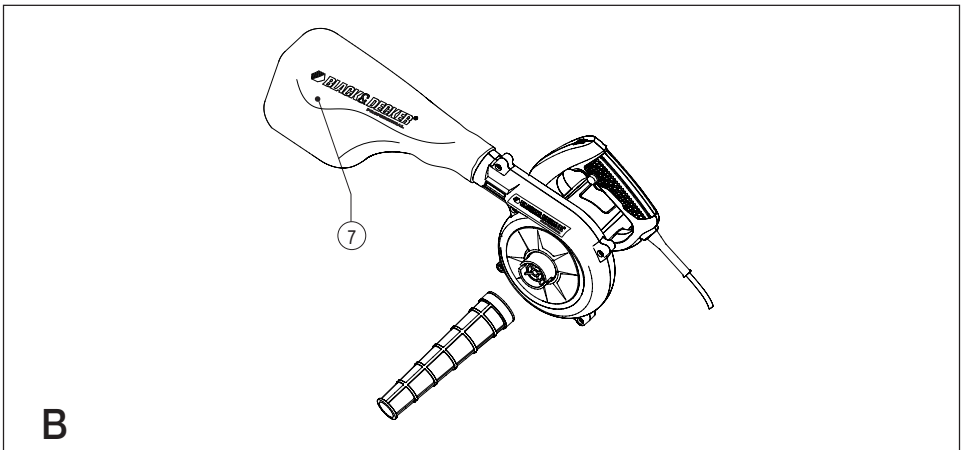
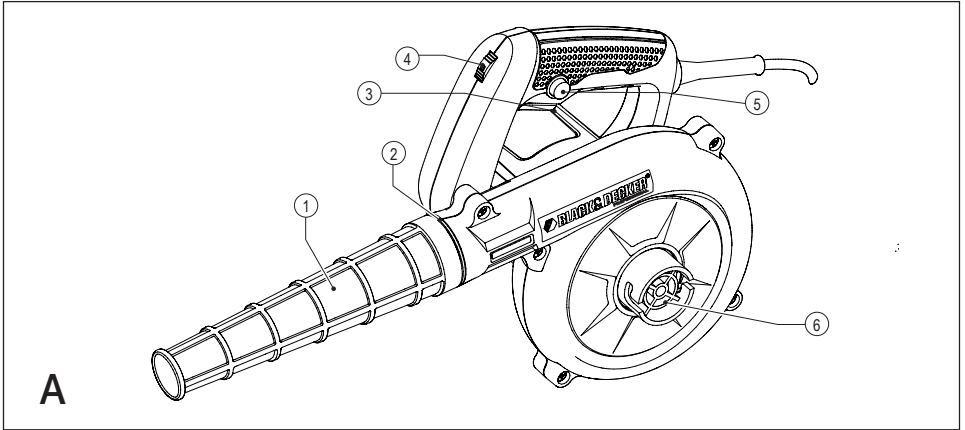
Black & Decker is confident of the quality of its products and offers an outstanding guarantee. This guarantee statement is in addition to and in no way prejudices your statutory rights. The guarantee is valid within the territories of the Member States of the European Union and the European Free Trade Area.

If a Black & Decker product becomes defective due to faulty materials, workmanship or lack of conformity, within 12 months from the date of purchase, Black & Decker guarantees to replace defective parts, repair products subjected to fair wear and tear or replace such products to make sure of the minimum inconvenience to the customer unless:

- The product has been used for trade, professional or hire purposes.
- The product has been subjected to misuse or neglect.
- The product has sustained damage through foreign objects, substances or accidents.
- Repairs have been attempted by persons other than authorised repair agents or Black & Decker service staff.

To claim on the guarantee, you will need to submit proof of purchase to the seller or an authorised repair agent. You can check the location of your nearest authorised repair agent by contacting your local Black & Decker office at the address indicated in this manual. Alternatively, a list of authorised Black & Decker repair agents and full details of our aftersales service and contacts are available on the Internet at: [www.2helpU.com](http://www.2helpU.com)

Please visit our website [www.blackanddecker.co.uk](http://www.blackanddecker.co.uk) to register your new Black & Decker product and to be kept up to date on new products and special offers. Further information on the Black & Decker brand and our range of products is available at [www.blackanddecker.co.uk](http://www.blackanddecker.co.uk).



## Description des éléments

1. Embout
2. Entrée soufflerie
3. Interrupteur
4. Variateur de vitesse
5. Bouton de verrouillage
6. Entrée aspiration
7. Sac collecteur de poussière

## Utilisation de l'appareil

Votre souffleur Black & Decker est conçu pour nettoyer et souffler ainsi que pour de petites tâches d'aspiration.

## Règles générales de sécurité concernant les outils électriques



**ATTENTION** Lire avec attention tous les avertissements et toutes les instructions. Le non-respect des consignes ou des instructions peut entraîner un choc électrique, un incendie

et/ou des blessures graves.

### Conservez tous les avertissements et instructions pour référence ultérieure

Le terme "outil électrique" mentionné dans les avertissements se rapporte à des outils électriques raccordés au secteur (avec câble) ou fonctionnant sur piles ou sur batterie (sans fil).

#### 1) Sécurité sur le lieu de travail

- a. **Maintenir la zone de travail propre et bien éclairée.** Les endroits encombrés et sombres invitent les accidents.
- b. **Ne pas utiliser les machines-outils dans un environnement explosif, comme en présence de liquides inflammables, de gaz ou de poussières.** Les machines-outils provoquent des étincelles qui peuvent mettre le feu aux poussières ou aux vapeurs.
- c. **Ne permettez pas aux tiers personnes et aux animaux de s'approcher de la machine lorsque vous l'utilisez.** Les distractions peuvent occasionner une perte de contrôle.

#### 2. Sécurité électrique

- a. **Les prises de branchement des machines-outils doivent correspondre aux prises d'alimentation. Ne jamais modifier la prise de quelque façon. Ne pas utiliser d'adaptateurs avec des prises d'appareils avec terre.** Le branchement de prises non modifiées sur des prises d'alimentation correspondantes évite tout risque d'accident et de décharge électrique.
- b. **Éviter d'être en contact physique avec des surfaces mises à la terre comme des tuyaux, des radiateurs, des cuisinières et des réfrigérateurs.** Le fait d'être mis à la terre augmente le risque de décharge électrique.

- c. **Ne pas exposer les machines-outils à la pluie ou à un environnement humide.** La pénétration de l'eau à l'intérieur d'une machine-outil accroît le risque de décharge électrique.
- d. **Ne pas maltraiter le cordon. Ne jamais utiliser le cordon pour porter la machine-outil, la tirer ou la débrancher.** Tenir le cordon à l'écart de la chaleur, des graisses, des bords coupants ou des parties mobiles. Les cordons endommagés ou emmêlés augmentent le risque de décharge électrique.
- e. **En actionnant une machine-outil en extérieur, utiliser une rallonge adéquate pour une utilisation en extérieur.** L'utilisation d'un cordon prévu pour un usage en extérieur réduit le risque de décharge électrique.
- f. **Si l'outil doit être utilisé dans un endroit humide, prenez des précautions en utilisant un dispositif à courant résiduel (RCD).** L'utilisation d'un tel dispositif réduit les risques de choc électrique.

#### 3. Sécurité personnelle

- a. **Prêtez attention et regardez ce que vous êtes en train de faire, utilisez votre bon sens quand vous actionnez une machine-outil. N'utilisez pas une machine-outil quand vous êtes fatigué ou sous l'influence de drogues, d'alcool ou de médicaments.** Un moment d'inattention pendant l'opération d'une machine-outil peut occasionner des blessures graves.
- b. **Utilisez des moyens de protection pour votre sécurité.** Portez impérativement des lunettes de protection. D'autres possibilités comme un masque contre la poussière, des bottes de sécurité non-glissantes, un casque ou des protections auditives dans des situations appropriées réduisent le risque de blessures corporelles.
- c. **Évitez tout démarrage intempestif. L'appareil doit être en position OFF (arrêt) avant de le brancher sur le secteur ou sur un bloc-batterie, et avant de le ramasser ou de le transporter.** Ne laissez pas votre doigt sur l'interrupteur de commande lorsque vous transportez un outil électrique et n'alimentez pas un outil avec l'interrupteur en position de marche, cela pourrait être à l'origine d'accidents.
- d. **Enlevez toute clé d'ajustement avant de mettre la machine-outil en service.** Une clé laissée en position sur une partie mobile d'une machine-outil peut causer des blessures corporelles.
- e. **N'essayez pas d'atteindre trop loin. Gardez votre stabilité et votre équilibre à tout moment.** Ainsi vous gardez un meilleur contrôle de la machine-outil dans des situations inattendues.
- f. **Habillez-vous en proportion. Ne portez pas de vêtements amples ou des bijoux. Gardez vos cheveux, vêtements et gants à l'écart de toutes parties mobiles.** Des vêtements lâches, des bijoux ou de longs cheveux peuvent se trouver attrapés dans les parties mobiles.



- g. Si des accessoires sont fournis pour l'aspiration et le stockage des poussières, assurez-vous qu'ils sont correctement installés et utilisés.** L'utilisation de ces dispositifs peut réduire les risques dûs aux poussières.
- 4. Utilisation d'une machine-outil et soins d'entretien**
- a. Ne pas forcer la machine-outil. Utilisez la machine-outil correspondant au travail à effectuer.** Une machine-outil adéquate réalisera un travail mieux fait, plus sûr et dans un délai pour lequel elle a été conçue.
- b. Ne pas utiliser une machine-outil dont l'interrupteur ne fonctionne pas.** Une machine-outil qui ne peut pas être activée par un interrupteur est potentiellement dangereuse et doit être réparée.
- c. Débranchez l'appareil avant de procéder à un ajustement, un changement d'accessoire ou avant de le ranger.** De telles mesures préventives de sécurité réduisent le risque de mettre des machines-outils en service accidentellement.
- d. Rangez les machines-outils hors de portée des enfants et n'autorisez pas l'utilisation de machines-outils par des personnes qui ne sont pas familiarisées avec l'appareil ou avec ces instructions.** Les machines-outils sont dangereuses entre les mains d'utilisateurs inexpérimentés.
- e. Prendre soin des machines-outils. Vérifier la déviation d'alignement, le serrage des vis, les pièces cassées ou tout autre dommage qui pourrait affecter le bon fonctionnement de la machine-outil. Si la machine est endommagée, la faire réparer avant de l'utiliser.** Beaucoup d'accidents sont dûs à des machines-outils en mauvaise condition.
- f. Maintenir les outils de coupe aiguisés et propres.** Des outils de coupe correctement entretenus avec des lames aiguisées risquent moins de se bloquer et sont plus faciles à utiliser.
- g. Utilisez une machine-outil, ses accessoires et ses pièces selon ces instructions et de la façon prévue pour ce type particulier d'appareils, en tenant compte des conditions de travail et du travail à effectuer.** Une utilisation autre que celle prévue peut entraîner une situation dangereuse.
- 5. Service entretien**
- a. Faites entretenir votre machine-outil par un réparateur qualifié et utilisez seulement des pièces de rechange identiques.** Ceci afin d'assurer le maintien de la sécurité de votre machine-outil.

### Instructions de sécurité supplémentaires pour les souffleurs

- N'aspirez pas de cendres de cigarettes encore brûlantes, des copeaux de métal fraîchement coupé, des vis, morceaux d'ongles ou matériaux similaires.
- Ne jamais bloquer l'entrée et la sortie du
- Ne traversez pas des chemins ou des routes couvertes de graviers lorsque votre outil est en marche ou en mode soufflerie/aspiration, marchez ne courez jamais.

- Veillez à toujours garder un bon équilibre, en particulier sur les pentes.
- Ne vous penchez pas trop, et gardez une position stable à tout moment.
- Ne portez pas les entrées ou les sorties d'air de l'aspirateur près de vos yeux ou de vos oreilles pendant son fonctionnement. Ne soufflez jamais les débris en direction de tierces personnes.
- Maintenez les entrées d'air libres de tout débris.
- Pour protéger pieds et jambes lors du fonctionnement de l'appareil, portez toujours des chaussures ou des bottes de sécurité et un pantalon long.
- Ne jamais laisser les enfants utiliser l'appareil.
- Portez des lunettes de sécurité pendant le fonctionnement.
- Si l'outil doit être utilisé dans un endroit humide, utilisez un dispositif à courant résiduel (RCD) avec un courant résiduel assigné de 30mA maximum. L'utilisation d'un tel dispositif réduit les risques de choc électrique.
- Pour éviter une irritation des voies respiratoires due à l'inhalation de poussières, il est recommandé de porter un masque de protection.
- Débranchez l'appareil de l'alimentation électrique
  - à chaque fois que vous laissez la machine;
  - avant de dégager un blocage;
  - avant de vérifier, de nettoyer ou de travailler sur l'appareil;
  - si l'appareil commence à vibrer de manière anormale.
- Rangez l'appareil uniquement dans un endroit sec.

### Symboles d'avertissement



Ne pas utiliser sous la pluie et ne pas laisser l'appareil à l'extérieur lorsqu'il pleut.



Toujours porter des lunettes de protection.



Toujours porter des protections auditives.



Ne laisser personne s'approcher.



Ne pas toucher le ventilateur.



Eteindre : Débrancher l'appareil du réseau avant de le nettoyer ou d'effectuer un entretien.

## Étiquettes apposées sur l'outil

Les pictogrammes suivants sont affichés sur l'outil:



**Attention!** Pour réduire le risque de blessure, l'utilisateur doit lire le manuel d'instructions.

## Emplacement du code de production

Le code de production est imprimé sur le boîtier de l'outil, ainsi que l'année de production.

Par exemple:

2014 XX JN  
Année de production

## Sécurité électrique



Cet outil est doublement isolé ; par conséquent, aucun câble de masse n'est nécessaire. Vérifiez toujours si la tension du secteur correspond à la tension indiquée sur la plaque d'identification.

Si le câble d'alimentation est endommagé, il doit être remplacé par le fabricant ou par un centre de réparation Black & Decker agréé de façon à éviter tout danger.

Une rallonge électrique doit être adaptée à une utilisation en extérieur et doit le mentionner. Les rallonges de type H05VV-F ou H05RN-F jusqu'à 0,75 mm<sup>2</sup> peuvent être utilisées sans perte de performance de l'outil.

## Description

Cet outil comprend les éléments suivants

1. Embout
2. Entrée soufflerie
3. Interrupteur:
4. Variateur de vitesse
5. Bouton de verrouillage
6. Entrée aspiration
7. Sac collecteur de poussière

## Assemblage

**Attention!** Avant de commencer l'assemblage, vérifiez que l'appareil est éteint et débranché.

## Utilisation

### Montage de l'embout pour la fonction de soufflage (Fig. A)

- Insérez la goupille située à l'intérieur de l'embout dans la fente prévue à cet effet dans l'entrée soufflerie (1).
- Pour bloquer l'embout en place, tournez l'embout dans la direction indiquée.
- Pour enlever l'embout, tournez l'embout dans la direction opposée.

### Montage de l'embout et du sac collecteur de poussière (Fig. B)

- Pour le ramassage de la poussière, montez le sac collecteur de poussière sur l'entrée soufflerie (2) et l'embout sur la sortie aspiration (6).

- Pour enlever le sac collecteur de poussière et l'embout, tirez après avoir tourné dans la direction opposée.
- Videz le sac collecteur de poussière fréquemment afin d'optimiser l'efficacité du massage..

### Activation du souffleur (Fig. C)

- Pour activer le souffleur, appuyez sur l'interrupteur (3). Pour arrêter le souffleur, relâchez l'interrupteur.
- Ajustez la vitesse avec le bouton variateur de vitesse (4) selon vos besoins.
- Pour une opération continue, pressez d'abord l'interrupteur puis le bouton de verrouillage (5) et pour arrêter, désengagez le bouton, pressez et relâchez l'interrupteur.

**Attention:** le fonctionnement en continu de la machine ne doit pas excéder 30 minutes.

### Remplacement des brosses en carbone (Fig. D)

- Utilisez un tournevis pour enlever le cache du support de la brosse.
- Retirez la brosse en carbone usée, insérez la nouvelle et fixez le cache du support.

**Attention!** Enlevez et vérifiez les brosses en carbone régulièrement. Remplacez-les quand elles sont usées jusqu'à la marque de limite.

## Accessoires

La performance de votre machine dépend des accessoires utilisés. Les accessoires Black & Decker et Piranha sont fabriqués selon des normes de haute qualité et conçus pour augmenter la performance de votre machine. En utilisant ces accessoires vous tirerez le meilleur parti de votre machine-outil.

## Maintenance

Votre machine-outil a été conçue pour fonctionner sur une longue période avec un minimum d'entretien. Une opération continue satisfaisante dépend du soin approprié donné à l'outil et à un nettoyage régulier.

**Attention!** Avant de commencer toute opération d'entretien, éteindre et débranchez la machine-outil.

- Nettoyez régulièrement les fentes de ventilation de votre machine-outil avec une brosse souple ou un chiffon sec.
- Nettoyez régulièrement le logement du moteur avec un chiffon humide. N'employez aucun produit de nettoyage abrasif ou à base de solvant.

## Caractéristiques techniques

		BPPT600
Tension	V	220-240
Courant d'alimentation	Hz	50/60
Puissance	W	600
Vitesse sans charge	/min	0-16,000
Débit d'air	m <sup>3</sup> /min	3,5
Poids	Kg	1,7

## Protection de l'environnement



Collecte séparée. Ce produit ne doit pas être jeté avec les déchets domestiques normaux.

Si vous décidez de remplacer ce produit Black & Decker, ou si vous n'en avez plus l'utilité, ne le jetez pas avec vos déchets domestiques. Rendez-le disponible pour une collecte séparée.



La collecte séparée des produits et emballages usés permet le recyclage des articles afin de les utiliser à nouveau. Le fait d'utiliser à nouveau des produits recyclés permet d'éviter la pollution environnementale et de réduire la demande de matières premières.

Les réglementations locales peuvent permettre la collecte séparée des produits électriques du foyer, dans des déchetteries municipales ou auprès du revendeur vous ayant vendu votre nouveau produit.

Black & Decker fournit un dispositif permettant de collecter et de recycler les produits Black & Decker lorsqu'ils ont atteint la fin de leur cycle de vie. Pour pouvoir profiter de ce service, veuillez retourner votre produit à un réparateur agréé qui se chargera de le collecter pour nous.

Pour connaître l'adresse du réparateur agréé le plus proche de chez vous, contactez le bureau Black & Decker à l'adresse indiquée dans ce manuel. Vous pourrez aussi trouver une liste des réparateurs agréés de Black & Decker et de plus amples détails sur notre service après-vente sur le site Internet à l'adresse suivante : [www.2helpU.com](http://www.2helpU.com)

## Garantie

Black & Decker vous assure la qualité de ses produits et vous offre une garantie très étendue.

Ce certificat de garantie est un document supplémentaire et ne peut en aucun cas se substituer à vos droits légaux.

La garantie est valable sur tout le territoire des États Membres de l'Union Européenne et de la Zone de Libre Échange Européenne.

Si un produit Black & Decker s'avère défectueux en raison de matériaux en mauvais état, d'une erreur humaine, ou d'un manque de conformité dans les 12 mois suivant la date d'achat, Black & Decker garantit le remplacement des pièces défectueuses, la réparation des produits usés ou cassés ou remplace ces produits à la convenance du client, sauf dans les circonstances suivantes :

- Le produit a été utilisé dans un but commercial, professionnel, ou a été loué.
- Le produit a été mal utilisé ou avec négligence.
- Le produit a subi des dommages à cause de corps étrangers, de substances ou d'accidents.
- Des réparations ont été tentées par des techniciens ne faisant pas partie du service technique de Black & Decker.

Pour avoir recours à la garantie, il est nécessaire de fournir une preuve d'achat au vendeur ou à un réparateur agréé.

Pour connaître l'adresse du réparateur agréé le plus proche de chez vous, contactez le bureau Black & Decker à l'adresse indiquée dans ce manuel. Vous pourrez aussi trouver une liste de réparateurs agréés de Black & Decker et de plus amples détails sur notre service après-vente sur le site Internet à l'adresse suivante : [www.2helpU.com](http://www.2helpU.com)

Visitez notre site Web [www.blackanddecker.eu](http://www.blackanddecker.eu) pour enregistrer votre nouveau produit Black & Decker et être informé des nouveaux produits et des offres spéciales. Pour plus d'informations concernant la marque Black & Decker et notre gamme de produits, consultez notre site [www.blackanddecker.eu](http://www.blackanddecker.eu).

## الضمان

تتفق بلاك أند ديكر بجودة منتجاتها وتقدم ضماناً مميزاً. ويكون بيان الضمان هذا بالإضافة ولا يخل بأي حال من الأحوال بالحقوق القانونية. ويسري هذا الضمان داخل إقليم الدول الأعضاء في الإتحاد الأوروبي ومنطقة التجارة الحرة الأوروبية.

إذا أصبح منتج بلاك أند ديكر معيباً بسبب عيوب المواد والصناعة وعدم المطابقة، تضمن بلاك أند ديكر في غضون ١٢ شهراً من تاريخ الشراء استبدال الأجزاء المعيبة وإصلاح المنتجات مع مراعاة البلي باستخدام العادي أو استبدال هذه المنتجات للتأكد من رضا العملاء ما لم:

- تم استخدام المنتج لأغراض تجارية أو مهنية أو للتأجير.
- إهمال أو إساءة استخدام المنتج.
- تعرض المنتج لتلف بسبب مواد أو أغراض غريبة أو الحوادث.

- محاولة إجراء عمليات الإصلاح من قبل الأشخاص الآخرين بخلاف وكلاء الإصلاح المصرح بهم أو فريق الخدمة التابع لبلاك أند ديكر.

للمطالبة بالضمان، يجب تقديم إثبات الشراء للبائع أو وكيل البيع المعتمد. ويمكنك معرفة مكان أقرب وكيل إصلاح معتمد بمراجعة مكتب بلاك أند ديكر المحلي في العنوان المشار إليه في الدليل. كما تتوفر قائمة بوكلاء الإصلاح المعتمدين لدى بلاك أند ديكر وبيانات خدمات ما بعد البيع والاتصال على الموقع الإلكتروني: [www.2helpU.com](http://www.2helpU.com).

يرجى مراجعة موقعنا الإلكتروني

[www.blackanddecker.co.uk](http://www.blackanddecker.co.uk) لتسجيل منتجك الجديد من بلاك أند ديكر ولمعرفة أحدث المنتجات والعروض الخاصة. وللحصول على المزيد من المعلومات حول علامة بلاك أند ديكر ومنتجاتنا، يرجى زيارة [www.blackanddecker.co.uk](http://www.blackanddecker.co.uk)

## حماية البيئة

تجميع منفصل. يجب عدم إلقاء هذا المنتج مع المخلفات المنزلية.



إذا تبين لك في أحد الأيام بأنه يجب تبديل جهاز بلاك أند ديكر الخاص بك أو لم تعد بحاجة لاستخدامه، لا تتخلص منه مع المخلفات المنزلية. وقم بتوفير هذا المنتج للتجميع المنفصل.

يمكن التجميع المنفصل للمنتجات والعبوات المستخدمة من إعادة تدوير المواد واستخدامها مرة أخرى، إذ يساعد إعادة استخدام المواد المعاد تدويرها على منع التلوث البيئي وخفض الطلب على المواد الخام



قد تنص التشريعات المحلية على تجميع منفصل للمنتجات الكهربائية عن المخلفات المنزلية في مواقع مخلفات البلدية أو تاجر التجزئة عند شراء منتج جديد.

توفر بلاك أند ديكر منشأة لتجميع وإعادة تدوير منتجات بلاك أند ديكر عند وصول تلك المنتجات لنهاية عمرها النافع. وللاستفادة من هذه الخدمة، يرجى إعادة المنتج إلى أي وكيل إصلاح معتمد الذي سيقوم بتجميع المنتجات نيابة عنا.

يمكنك معرفة مكان أقرب وكيل إصلاح معتمد بمراجعة مكتب بلاك أند ديكر المحلي في العنوان المشار إليه في الدليل. كما تتوفر قائمة بوكلاء الإصلاح المعتمدين لدى بلاك أند ديكر وبيانات خدمات ما بعد البيع والاتصال على الموقع الإلكتروني: [www.2helpU.com](http://www.2helpU.com)

- عند الرغبة في التشغيل المتواصل، اضغط على زر التشغيل إلى أسفل، ثم على زر الإقفال (5)، ثم حرر القفل واضغط لتحريك زر التشغيل.

**تحذير!** يجب ألا يزيد زمن التشغيل المستمر عن ٣٠ دقيقة.

### تغيير فرش الكربون (شكل D)

- استخدم مفك لإزالة الرأس الممسك بالفرشاة.
- انزع فرشاة الكربون البالية، ثم ضع الفرشاة الجديدة وقم بتركيب غطاء الفرشاة.

**تحذير!** اخرج فرش الكربون بانتظام وافحصها. قم باستبدالها عندما تبلى حتى العلامة المبيئة.

### الملحقات

يعتمد أداء الجهاز على الملحقات المستخدمة. ملحقات بلاك أند ديكر وبيرانا مصنعة بمواصفات جودة عالية ومصممة لتمنح جهازك أفضل مستوى أداء. استخدامك هذه الملحقات يضمن لك الحصول على أفضل إمكانيات الجهاز.

### الصيانة

صمم هذا الجهاز ليعمل فترات طويلة دون أن يحتاج إلا لقليل من الصيانة. الحصول على تشغيل مرضي يعتمد على العناية بالجهاز والتنظيف المنتظم.

**تحذير!** قبل القيام بأعمال الصيانة، أوقف عمل الجهاز، ضع الزر في وضع الإيقاف وانزع المقبس من مخرج الكهرباء.

- نظف فتحات التهوية بانتظام باستخدام فرشاة ناعمة أو قطعة قماش جافة.
- نظف بيت المحرك بانتظام باستخدام قطعة قماش رطبة. لا تستخدم أي مادة كاشطة أو منظف يحتوي على مذيبات.

### بيانات فنية

BPPT600		
٢٤٠ - ٢٢٠	فولت	الجهد
٦٠ - ٥٠	هرتز	التردد
600	وات	الطاقة
0-16,000	لفة في الدقيقة	السرعة بدون أحمال
3.5	متر مكعب في الدقيقة	حجم الهواء
1.6	كيلوغرام	الوزن

في حالة تلف حبل التيار الكهربائي، يجب استبداله من قبل المصنع أو مركز خدمة معتمد من بلاك أند ديكر لتجنب المخاطر.

يجب أن يكون كابل التمديد مناسباً للاستخدام الخارجي أو معلماً بصلاحيته لذلك. يمكن استخدام كابل تمديد H٠٥VV-F أو H٠٥RN-F بسمك يصل إلى ٠.٧٥ مم<sup>2</sup> دون فقدان أداء المنتج.

### الخصائص

يحتوي هذا الجهاز على الأجزاء التالية:

- ١ فوهة
- ٢ فتحة دفع الهواء
- ٣ مفتاح التشغيل
- ٤ مقبض تغيير السرعات
- ٥ زر الإقفال
- ٦ فتحة شفط
- ٧ كيس تجميع الغبار

### التجميع

**تنبيه!** قبل التجميع، تحقق من أن الجهاز في وضع الإيقاف وغير متصل بمخرج الكهرباء.

### الاستخدام

#### تركيب الفوهة لأغراض النفخ (شكل A)

- أدخل المشبك الموجود داخل الفوهة في الحز الموجود على فتحة النفخ (١).
- لتثبيت الفوهة، قم بلفها في الاتجاه المبيين.
- لفك الفوهة، قم بلفها في الاتجاه العكسي.

#### تركيب الفوهة وكيس الأتربة لأغراض شفط الغبار (شكل B)

- لجمع الأتربة، قم بتركيب كيس الأتربة على فتحة دفع الهواء (٢) والفوهة على فتحة الشفط (٦).
- لفك كيس الأتربة والفوهة، قم بلف كل منهما في الاتجاه العكسي.
- قم بتفريغ كيس الأتربة على فترات متقاربة لتحقيق أفضل النتائج في شفط الأتربة.

#### تشغيل الناخفة (شكل C)

- لتشغيل الناخفة، اضغط على زر التشغيل إلى أسفل (٣). لإيقافها، اترك الزر رخ.
- اضبط مقبض تغيير السرعات (٤) على السرعة المطلوبة.


- يُفصل الجهاز من مصدر الإمداد الرئيسي بالطاقة:
- كلما تركت الجهاز
- قبل تنظيف أي انسداد
- قبل فحص أو تنظيف أو صيانة الجهاز
- في حالة اهتزاز الجهاز اهتزازاً غير طبيعي خزن الجهاز في مكان جاف فقط
- لا تعبر مسارات الحصى أو الطرق أثناء وجود المنتج الخاص بك على وضعية التشغيل أثناء وضع النفخ/الشفط. قم بالمشي. لا تركز أبداً
- انتبه لخطواتك دائماً، ولا سيما على المنحدرات.
- لا تقم بمسارعة خطواتك وحافظ على توازنك في جميع الأوقات.

### رموز التحذيرات

- يحظر استخدام الجهاز في الأمطار أو تركه في العراء أثناء المطر. 
- ارتد جهاز واقى للعين دائماً. 
- ارتد جهاز واقى للأذن دائماً. 
- ابتعد عن المارة. 
- يحظر لمس المروحة 
- إطفاء الجهاز: انزع القابس قبل التنظيف أو الصيانة 

### العلامات على الأداة

تظهر الرموز التالية على الأداة:

- تحذيراً للحد من خطر الإصابة، يجب على المستخدم قراءة دليل التعليمات. 

### مكان باركود التاريخ

باركود التاريخ الذي يشمل أيضاً سنة الصنع مطبوع على الغلاف.  
مثال:

XX JN 2014  
سنة التصنيع

### الأمان ضد أخطار الكهرباء

هذا الجهاز معزول عزلاً مزدوجاً لذا لا يحتاج إلى توصيل أرضي. تحقق دائماً من أن مصدر التيار الكهربائي الكهربائي مناسب للفولت المبين على لوحة التصنيف.



- لا تضع مدخل أو مخرج المكنسة الكهربائية بجوار عينيك أو أذنيك أثناء تشغيلها. لا تقم أبداً بنفخ الأتربة في اتجاه المارة.
- حافظ على جميع مداخل هواء التبريد نظيفة من الأتربة.
- لحماية القدمين والساقين أثناء تشغيل الأجهزة، قم دائماً بارتداء أحذية واقية وسراويل طويلة.
- لا تسمح للأطفال باستخدام الجهاز.
- قم بارتداء النظارات الواقية أثناء التشغيل.
- إذا كان تشغيل أداة كهربائية في مكان رطب أمراً ضرورياً، استخدم مزود طاقة محمي بجهاز قاطع الدورة الكهربائية ذو تيار متردد لا يزيد عن ٣٠ أمبير.
- لمنع تهيج الغبار، يوصى بارتداء قناع الوجه.
- افصل الجهاز عن مصدر التيار الكهربائي:
- عند ترك الآلة.
- قبل تنظيف أي انسداد.
- قبل فحص الجهاز أو تنظيفه أو صيانته:
- إذا بدأ الجهاز في الاهتزاز بشكل غير طبيعي.

- لا تقم بتخزين الجهاز إلا في مكان جاف.
- لا تستخدم الجهاز في المطر أو تتركه في الخارج عند هطول المطر.

- ج انزع المقبس من مخرج الكهرباء قبل القيام بأي تعديلات أو تغيير القطع أو التخزين. مثل هذه الإجراءات الاحتياطية تحد من مخاطر تشغيل الجهاز دون قصد.
- د عند عدم استخدامها، قم بتخزين الأجهزة التي تعمل بالطاقة بعيدا عن الأطفال ولا تسمح لأي شخص غير معتاد على التعامل مع الجهاز ولم يطلع على هذه الإرشادات بان يقوم بتشغيل الجهاز. الأجهزة التي تعمل بالطاقة تشكل خطرا إذا تركت في أيدي غير المدربين.
- ه قم بصيانة الأجهزة التي تعمل بالطاقة. تأكد من أن جميع القطع المتحركة في وضعها الصحيح ومثبتة جيدا، وراجع الجهاز بحثا عن أي جزء مكسور يمكن أن يؤثر على عمل الجهاز. إذا وجدت تلفا، يجب إصلاح الجهاز قبل الاستخدام. كثير من الحوادث تقع بسبب عدم صيانة الأجهزة التي تعمل بالطاقة.
- و حافظ على الأجزاء القاطعة حادة ونظيفة. الأجزاء القاطعة ذات الشفرات الحادة التي تتم صيانتها عادة لا تنثني بسهولة ويسهل التحكم فيها.
- ز لا تعبر الممرات أو الطرق الممهدة بالحصى عندما يكون المنتج قيد التشغيل في وضع النفخ / الشفط الهوائي. لا تقم بتشغيل الجهاز أبدا أثناء السير.
- ه الخدمات
- أ يجب ألا يقوم بصيانة الأجهزة الكهربائية إلا شخص مؤهل وباستخدام قطع الغيار الأصلية. هذا يضمن الحفاظ على السلامة الخاصة بالجهاز.
- إرشادات سلامة إضافية خاصة بالنافحات
- لا تجمع رماد السجائر الساخنة، وبرد المعادن المبرود حديثا، والبراغي، والمسامير وما شابه.
  - لا تسد مخرج ومدخل فتحة الشفط.
- ج منع التشغيل غير المتعمد. تأكد من إن المفتاح على وضع إغلاق قبل توصيل الأداة بمصدر الكهرباء و/أو البطارية أو النقاها أو حملها. إن حمل الأدوات الكهربائية أثناء وضع يديك على المفتاح أو تزويد الأدوات الكهربائية بالطاقة أثناء وجود مفتاحها على وضع التشغيل قد يؤدي إلى وقوع حوادث.
- د انزع أي مفك أو مفتاح براغي قبل بدء تشغيل الجهاز الذي يعمل بالطاقة. وجود مفتاح براغي في الجزء الدوار من الجهاز عند التشغيل قد يتسبب في إصابات شخصية.
- ه لا تمد قامتك لتصل إلى أماكن أبعد. أبق قدميك ثابتتين وجسمك متوازنا في كل الأوقات، هذا يزيد من قدرتك على التحكم في الجهاز الذي يعمل بالطاقة عند حدوث موقف غير متوقع.
- و ارتد ملابس مناسبة. لا تلبس ملابس واسعة أو مجوهرات. ابق شعرك وملابسك وقضائلك بعيدة عن الأجزاء المتحركة. الملابس الواسعة والمجوهرات والشعر الطويل قد تعلق في الأجزاء المتحركة.
- ز إذا كان الجهاز مزودا بقطع لشفط الأتربة وتجميعها، تأكد من أن هذه القطع مثبتة في الجهاز بطريقة سليمة. استخدام هذه القطع يمكن أن يقلل المخاطر المتصلة بالأتربة.
- ٤ استخدام الأجهزة التي تعمل بالطاقة والعناية بها
- أ لا تستخدم الجهاز في غير الغرض الذي صمم له. استخدم الجهاز المناسب للغرض المناسب. الجهاز المناسب تحصل على نتيجة أفضل والاستخدام الآمن الذي صممت له.
- ب لا تستخدم الجهاز الذي يعمل بالطاقة إذا لم يكن زر غلقه وتشغيله يعمل. أي جهاز كهربائي لا يفتح ويفلق من الزر المخصص لهذا الغرض يعد خطرا ويجب إصلاحه.

## تعريف الأجزاء

## ٢ السلامة ضد أخطار الكهرباء

١ فوهة

أ يجب أن يكون حجم المقبس مناسباً لحجم مخرج الكهرباء. لا تجري أي تعديلات من أي نوع على المقبس. لا تستخدم وصلة مقابيس مع الأجهزة التي تعمل بالطاقة المتصلة بالأرضي. عدم تعديل المقابيس واستخدام مخرج كهرباء مناسب يحد من مخاطر الصدمات الكهربائية.

٢ فتحة الهواء المدفوع

٣ مفتاح التشغيل

٤ مقبض تغيير السرعات

٥ زر الإقفال

٦ فتحة شفط

٧ كيس تجميع الغبار

ب تجنب أن يكون جسمك ملامساً لأي سطح متصل بالأرض مثل المواسير والمشعاع، والموقد، والثلاجة. تزداد مخاطر الصدمة الكهربائية إذا كنت متصلاً بالأرض.

ج لا تعرض الأجهزة التي تعمل بالطاقة إلى المطر أو البلل. دخول الماء إلى هذه الأجهزة يرفع من مخاطر الصدمة الكهربائية.

## الغرض المحدد

نافخة بلاك آند ديكر مصممة لأغراض النفخ وتنظيف الأغراض، بالإضافة إلى إمكانية القيام بقدر من الشفط.

د لا تسيء استخدام السلك. لا تحمل الجهاز أو تجره من السلك، ولا تجذب السلك لتتنع المقبس من مخرج الكهرباء. أبقِ السلك بعيداً عن الحرارة والزيوت والحواف الحادة. تلف السلك أو تشابكه يزيد من مخاطر الصدمة الكهربائية.

## تحذيرات السلامة العامة عند استخدام الأدوات الكهربائية

تحذير: يرجى قراءة جميع تحذيرات وتعليمات السلامة إن عدم اتباع التحذيرات والتعليمات قد يؤدي إلى التعرض لصدمات كهربائية أو حرائق و/أو إصابات خطيرة.



ه عند استخدام الجهاز العامل بالطاقة خارج المنزل، استخدم سلك إطالة مناسب للاستخدام خارج المنزل. سلك الإطالة المناسب للاستخدام خارج المنزل يحد من مخاطر الصدمة الكهربائية.

احتفظ بكل التحذيرات والتعليمات للرجوع إليها في المستقبل

و إذا كان تشغيل أداة كهربائية في مكان رطب أمراً ضرورياً، استخدم مزود طاقة محمي بجهاز قاطع الدورة الكهربائية (RCD)، حيث يقلل استخدام هذا الجهاز من مخاطر التعرض لصدمة كهربائية.

يشير مصطلح "أداة كهربائية" في التحذيرات إلى الأدوات الكهربائية التي تعمل بالكهرباء (سلكية) أو الأدوات الكهربائية التي تعمل بالبطارية (لاسلكية).

## ١ حيز العمل

## ٣ السلامة الشخصية

أ يجب أن يكون حيز العمل نظيفاً وجيد الإضاءة. العمل في الأماكن الفوضوية والمظلمة قد يتسبب في حوادث.

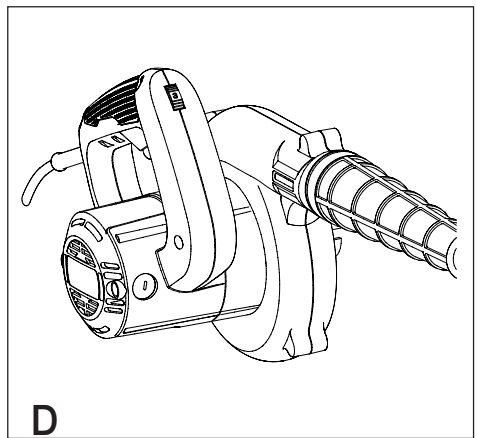
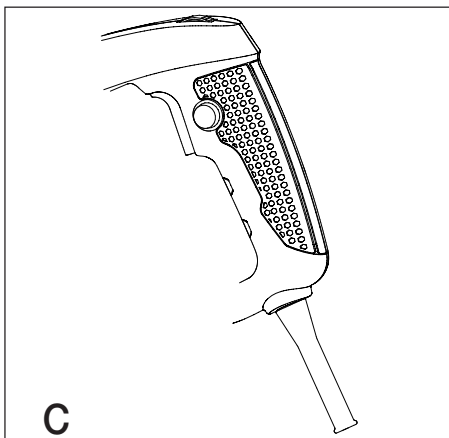
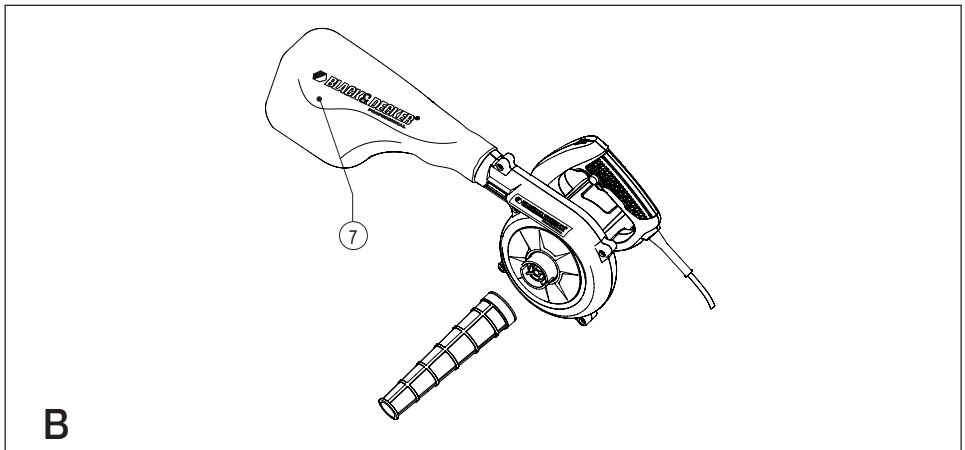
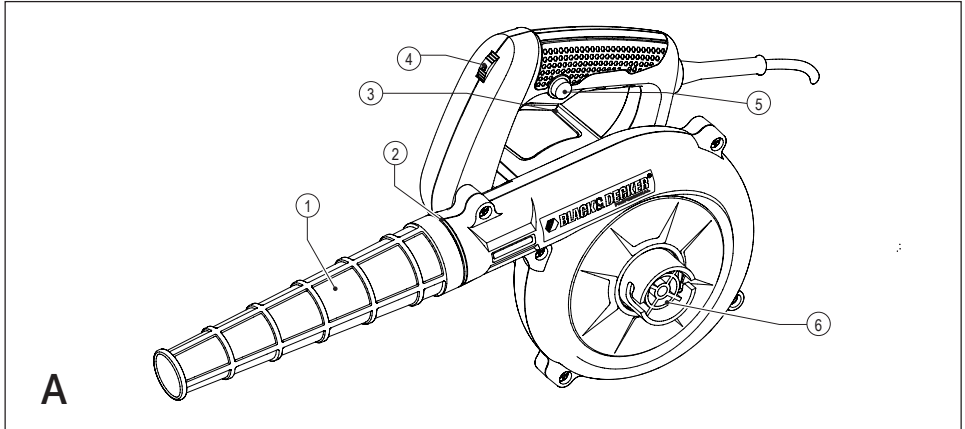
أ يجب أن تكون يقظاً ومنتبهاً لما تفعله ويجب أن تحسن تمييز الأمور أثناء استخدام الأجهزة التي تعمل بالطاقة. لا تستخدم هذه الأجهزة وأنت متعب أو تحت تأثير المخدرات أو الكحول أو العقاقير الطبية. لحظة من عدم الانتباه أثناء استخدام جهاز كهربائي قد تؤدي إلى إصابات خطيرة.

ب لا تستخدم الأجهزة التي تعمل بالكهرباء في أجواء قابلة للاشتعال، على سبيل المثال في وجود سوائل أو غازات سريعة الاشتعال أو غبار، لأن الأجهزة التي تعمل بالطاقة تصدر شرارات قد تؤدي إلى إشعال الأبخرة أو الغبار.

ب اطلب من الأطفال أو من يقفون حولك الابتعاد أثناء تشغيل الآلة. تشتت الانتباه قد يؤدي إلى فقد التحكم في الآلة.

ج استخدم معدات الأمان. ارتد واقياً للعينين دائماً. استخدم معدات الأمان مثل القناع المضاد للغبار، وحذاء الأمان المانع للترحلق، والخوذة، وغطاء الأذن يحد من مخاطر حدوث الإصابات.





## Names & Addresses for Black & Decker Service Concessionaries

**ALGERIA:** Sarl Outillage Kheration, 08 Rue Med Boudiaf - Cheraga - Algiers, Algeria. Tel: (213-21) 375130, Fax: (213-21) 369667. **AZERBAIJAN:** Royalton Holdings Ltd. 41 Khagani St. Apt. 47 AZ 1001, Baku. Tel: (994-12) 4935544, Fax: (994-12) 5980378. **BAHRAIN:** Alfouz Services Co. WLL., P.O. Box 26562, Tubli, Manama. Tel: (973) 17783562, Fax: (973) 17783479. **EGYPT:** El-Farab S.A.E 15 - Nabil El Wakkad Street, Dokki, Giza. Tel: (202) 37603946, Fax: 33352796. **ETHIOPIA:** Seif Tewfik Sherif, Arada Sub-City, Kebele 01/02, Global Insurance Building, 2nd Floor, Room 43, P.O. Box 2525, Addis Ababa, Ethiopia. Tel: (251-11) 1563968/ 1563969, Fax: (251-11) 1558009. **IRAQ:** Al Sard Co. for General Trading Ltd. Jbara Bldg. 3Flr, Al Rasheed St. Bagdad. Tel: (964) 18184102. Sakhar Group, Arrassat al-hindya Al Masbah, Bagdad. (964) 7400144446. **JORDAN:** Palestine Bldg. Matl. (Bashiti Hardware), 93 King Abdullah 2nd Street, Opp. ELBA House, P.O. Box 3005, Amman 11953, Tel: (962-6) 5349098, Fax: (962-6) 5330731. **KENYA:** Dextron Tools Ltd., P.O. Box 20121-00200, Shariff House, Kimathi Street, Nairobi. Tel: (254-20) 6905000/ 2358021, Fax: (254-20) 6905111/ 6905112. **KUWAIT:** Al Omar Technical Co., P.O. Box 4062, 13041 Safat, Kuwait. Tel: (965) 24848595/ 24840039, Fax: (965) 24845652. Fawaz Al Zayani Establishment, P.O. Box 42426, Shop No. 18, Al Humaizi Commercial Complex, Khalifa Al Jassim, Shuwaikh, Kuwait. Tel: (965) 24828710, Fax: (965) 24828716. **LEBANON:** Est. Shaya & Azar S.A.R.L., Boulevard, Jdeideh, Mar Takla-Bouchrieh, P.O. Box 90545, Jdeideh, Beirut. Tel: (961-1) 872305/ 872306, Fax: (961-1) 872303. **LIBYA: (Benghazi)** Sniydel st., Amr Ibn EL-Aas Rd. Tel: (+218) 92 5771120. **(Tripoli)** Al Barniq Service Center, Mokhazin elsukar st., ElFallah. Tel: (+218) 21 4808019. **(Misrata)** Al Hilal Service Center, Tawergha st. Tel: (+218) 51 2626743. **MAURITIUS:** Robert le Marie Limited, Old Moka Road, Bell Village, P.O. Box 161, Port Louis. Tel: (230) 2121865/ 2122847, Fax: (230) 2080843. **MOROCCO:** Ets. Louis Guillaud & Cie, 31, Rue Pierre Parent, Casablanca-21000. Tel: (+212) 522 305971, Fax: (+212) 522 444518. **NIGERIA:** Meridian Power Tools Ltd., Gr. Floor, #1 Alhaji Masha Road, Next to Teslim Balogun Stadium, Near National Stadium, Surulere, Lagos. Tel: (234-1) 7740431/ 7740410, Fax: (234-1) 7913798. **OMAN:** Al Jizzi Company LLC, P.O. Box 1704, P.C. 112 Ruwi, Oman. Tel: (968) 24832618/ 24835153, Fax: (968) 24831334. Al Hassan Technical & Construction Supplies Co. LLC., P.O. Box 1948, P.C. 112, Ruwi, Oman. Tel: (968) 24810575/ 24837054, Fax: (968) 24810287/ 24833080. Khimji Ramdas, P.O. Box 19, Post Code 100, Ghala, Muscat, Oman. Tel: (968) 24595906/ 907, Fax: (968) 24852752. Oman Hardware Co. LLC., P.O. Box 635, Ruwi-112. Tel: (968) 24815131, Fax: (968) 24816491. Oman Marketing & Service Co. (Omasco), P.O. Box 2734, Behind Honda Showroom, Wattayah, Oman. Tel: (968) 24560232/ 24560255, Fax: (968) 24560993. Oman Marketing & Service Co. (Omasco), Al Ohi, Sohar, Oman. Tel: (968) 26846379, Fax: (968) 26846379. Oman Marketing & Service Co. (Omasco), Sanaya, Salalah, Oman. Tel: (968) 23212290, Fax: (968) 23210936. **PAKISTAN:** Ammar Service & Spares, 60-Bank Arcade, Serai Road, Karachi, Pakistan. Tel: (92-21) 32426905, Fax: (92-21) 32427214. ZIT Co., Nasir & Bros., 2nd Floor, Qadri Center, Chowk Dalgran, Railway Road, Lahore. Tel: (92-42) 37670839, Fax: (92-42) 37652989. **QATAR:** Al Mufthah Service Centre, Al Wakrah Road, P.O. Box 875, Doha, Qatar. Tel: (974) 4650880/ 4650110/ 4446868, Fax: (974) 4441415/ 4662599. Shaheen Electrical Works & Trading Co. WLL., Gate 34, St.44 Industrial Area, P.O. Box 9756, Doha. Tel: (974) 4600230/ 4600525, Fax: (974) 4601338. Teyseer Industrial Supplies & Services Co. WLL., 55, Al Wakalat St. (Between St. 18 & 19) Salwa Industrial Area, P.O. Box 40523, Doha, Qatar. Tel: (974) 4581536, Fax: (974) 4682024. **SAUDI ARABIA: (Al Bahr)** Mohamed Ahmed Bin Aff Est., P.O. Box 530, Yanbu, Al Bahr. Tel: (966-4) 3222626/ 3228867, Fax: (966-4) 3222210. **(Al Khobar)** Fawaz Ebrahim Al Zayani Trading Est., P.O. Box 76026, Al Khobar # 31952, Tel: (966-3) 8140914, Fax: (966-3) 8140824. MSS (Al-Mojib Supply & Services) P.O. Box 450, Jubail 31951, Opp. Gulf Bridge Library & Riyadh House. Tel: (966-3) 3612850/ 3624487/ 3621729, Fax: (966-3) 3623589/ 3620783. **(Dammam)** Al Bawardi Tools & Hardware, P.O. Box 112, Dammam 31411. Tel: (966-3) 8330780/ 8348585 ext. 24, Fax: (966-3) 8336303. **(Jeddah)** Al Bawardi Tools & Hardware, P.O. Box 16905, Jeddah-21474. Tel: (966-2) 6444547, Fax: (966-2) 6439024. EAC (Al Yousef Contg. & Trdg. Est.), P.O. Box 30377, Jeddah -21477, Tel: (966-2) 6519912, Fax: (966-2) 6511153. **(Madina)** Garziz Trading for Bldg Mat & Decoration, P.O. Box 3364, Madina. Tel: (966-4) 8261490/ 8227636, Fax: (966-4) 8265741. **(Riyadh)** Al Bawardi Tools & Hardware, P.O. Box 68, Riyadh 11411. Tel: (966-1) 4484999, Fax: (966-1) 4487877. Industrial Material Organization (IMO), P.O. Box 623, Rail Street, Riyadh. Tel: (966-1) 4028010, Fax: (966-1) 4037970. Sulatn Garment factory (RSC), P.O. Box 29912, Riyadh 11467. Tel: (966-1) 4055148/ 4042889, Fax: (966) 4055148. **SOUTH AFRICA:** Trecco Power Tool Service 14 Steenbok Street, Koedoespoort, 0186, Pretoria, South Africa. Tel: (27-86) 1873826, Fax: (27-86) 5001771. **TANZANIA:** General Motors investment Ltd., P.O. Box 16541, 14 Nyerere Road, Vingunguti, Dar-es-Salaam. Tel: (255 22) 2862661/ 2865022, Fax: (255 22) 2862667. **TUNISIA:** Societe Tunisienne De Maintenance (STM), Rue de la Physique. Nouvelle Zone Industrielle Ben Arous., 2013 Ben Arous, Tunisia. Tel: (+216) 71 389687, Fax: (+216) 71 385154. **UAE: (Abu Dhabi)** Light House Electrical, P.O. Box 120, Abu Dhabi. Tel: (971-2) 6726131, Fax: (971-2) 6720667. **(Ajman)** Al Sukoon Gen. Trdg. Co. LLC, P.O. Box 2975, Ajman. Tel: (971-6) 7435725/ 7438317, Fax: (971-6) 7437350. **(Al Ain)** Zillion Equipment and Spare Parts Trading LLC, P.O. Box 19740, Opp. Bin Sadal Trimix Redymix Sanaiya, Al Ain. Tel: (971-3) 7216690, Fax: (971-3) 7216103. **(Dubai)** Alebrah Engineering Service, P.O. Box 78954, Al Qusais, Dubai. Tel: (971-4) 2850044, Fax: (971-4) 2844802. Black & Decker (Overseas) GmbH, P.O. Box 5420, Dubai, Tel: (971-4) 8127400/ 8127406, Fax: (971-4) 2822765. Ideal Star Workshop Eqpt. trading LLC, P.O. Box 37110, Al Quoz, Dubai. Tel: (971-4) 3474160, Fax: (971-4) 3474157. **(Musaffah)** Light House Electrical, P.O. Box 120, Abu Dhabi, Tel: (971-2) 5548315, Fax: (971-2) 5540461. **(Sharjah)** Mc Coy Middle East LLC, P.O. Box 25793, Sharjah, Tel: (971-6) 5395931, Fax: (971-6) 5395932. Burj Al Madeena, Industrial Area No.1, Opp. Pakistani Masjid, P.O. Box 37635, Sharjah. Tel: (971-6) 5337747, Fax: (971-6) 5337719. **(Ras Al Khaimah)** Mc Coy Middle East LLC, P.O. Box 10584, Ras Al Khaimah, Tel: (971-7) 2277095, Fax: (971-7) 2277096. **UGANDA:** The Building Center (U) Ltd., 52 Station Road, Kitgum House, P.O. Box 7436, Kampala, Uganda. Tel: (256-41) 4234567/ 4259754, Fax: (256-41) 4236413. **YEMEN: (Aden)** Middle East Trad. Co. Ltd. (METCO), Mualla Dakka, Aden, Yemen. Tel: (967-2) 222670, Fax: (967-2) 222670. **(Sana'a)** Middle East Trad. Co. Ltd. (METCO), Hayel St., Sana'a, Yemen. Tel: (967-1) 204201, Fax: (967-1) 204204. **(Taiz)** Middle East Trading Co. (METCO), P.O. Box 12363, 5th Flr, Hayel Saeed Anam Bldg, Al-Mugamma St. Taiz, Yemen. Tel: (967-4) 213455, Fax: (967-4) 219869.





WARRANTY REGISTRATION CARD

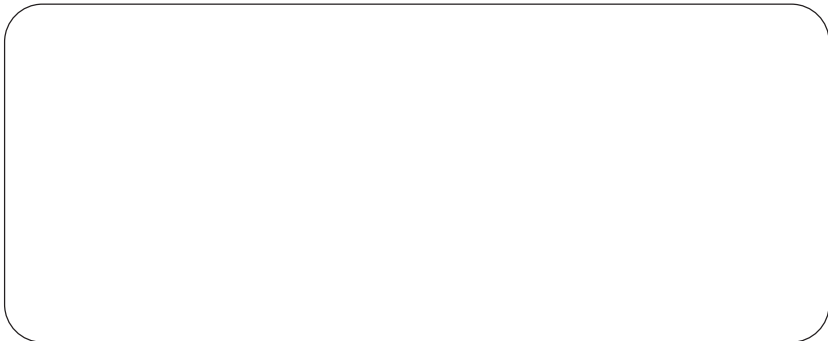
YOUR NAME/ الإسم -----  
-----

YOUR ADDRESS العنوان -----  
-----  
-----  
-----

POSTCODE الرمز البريدي -----

DATE OF PURCHASE تاريخ الشراء -----

DEALER'S NAME & ADDRESS/ إسم وعنوان البائع -----  
-----  
-----



PRODUCT MODEL NO. BPPT600



## Free Manuals Download Website

<http://myh66.com>

<http://usermanuals.us>

<http://www.somanuals.com>

<http://www.4manuals.cc>

<http://www.manual-lib.com>

<http://www.404manual.com>

<http://www.luxmanual.com>

<http://aubethermostatmanual.com>

Golf course search by state

<http://golfingnear.com>

Email search by domain

<http://emailbydomain.com>

Auto manuals search

<http://auto.somanuals.com>

TV manuals search

<http://tv.somanuals.com>