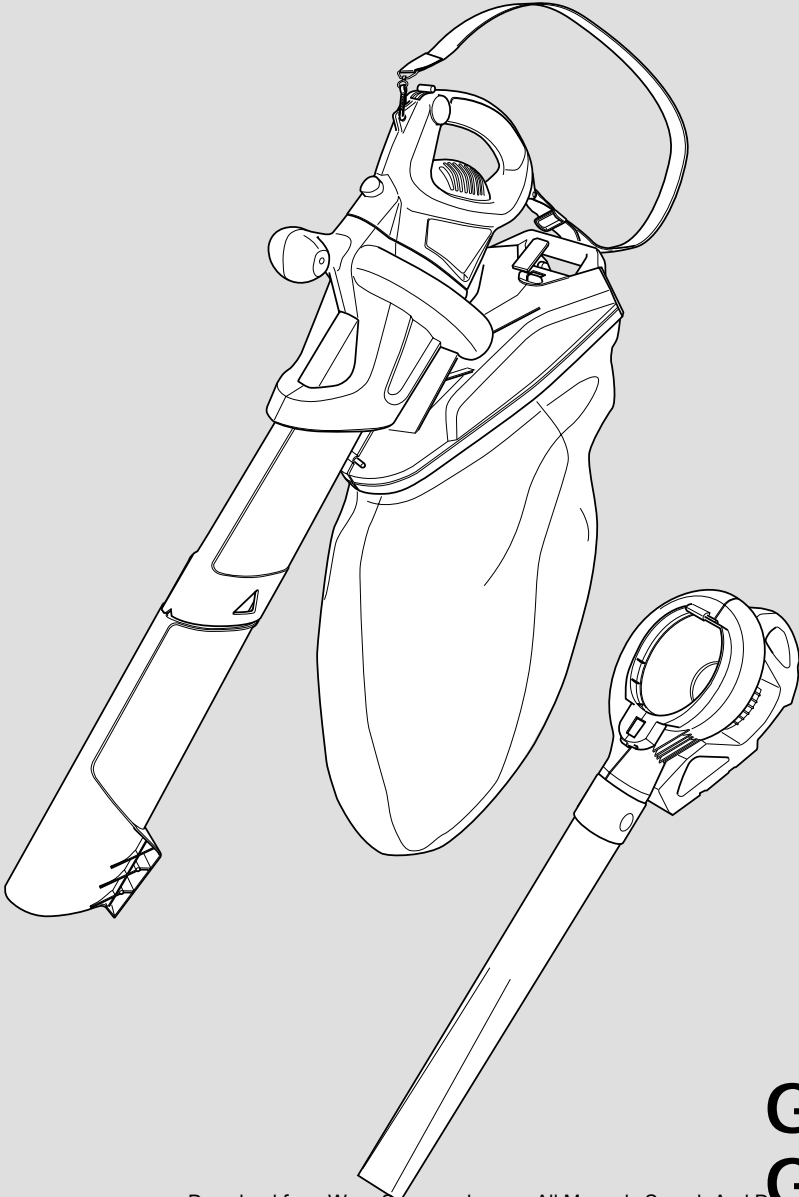




**BLACK &
DECKER®**

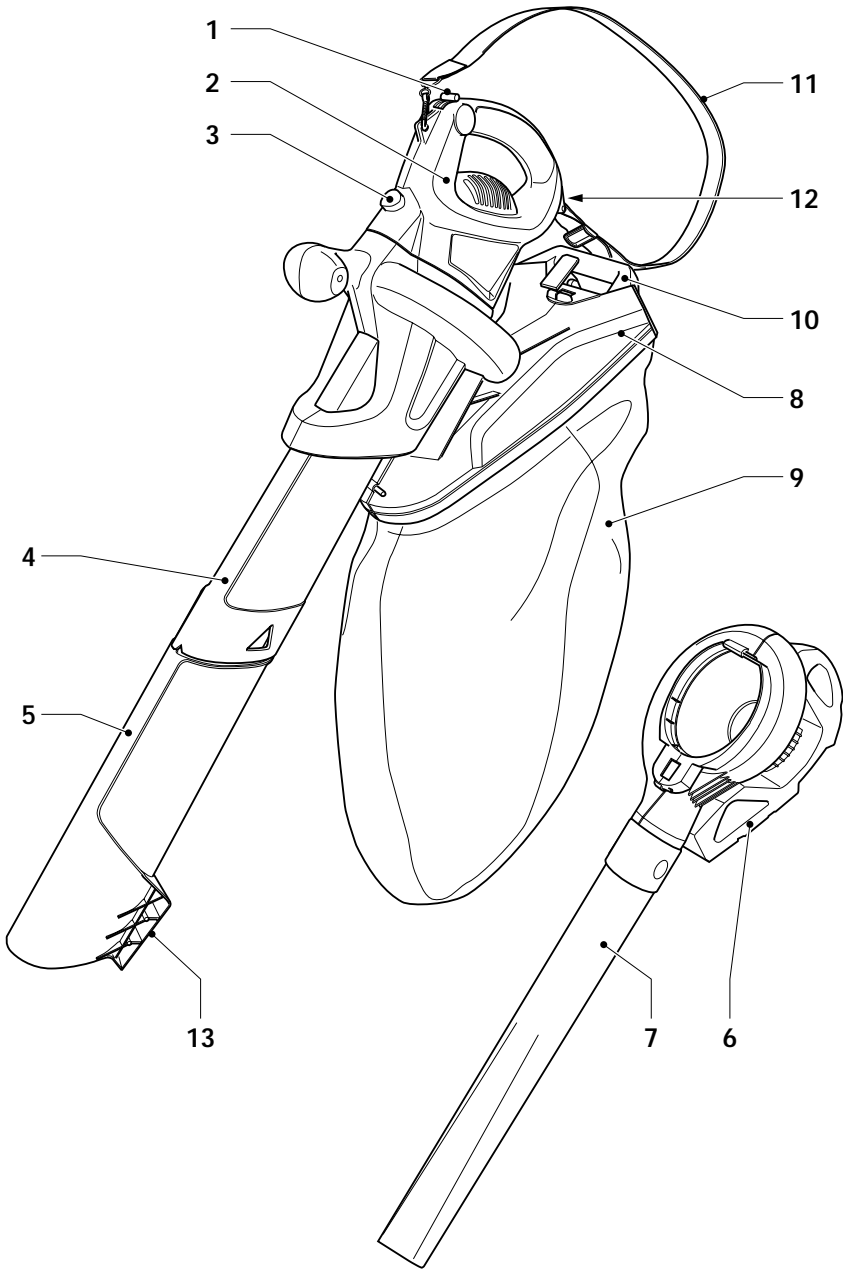


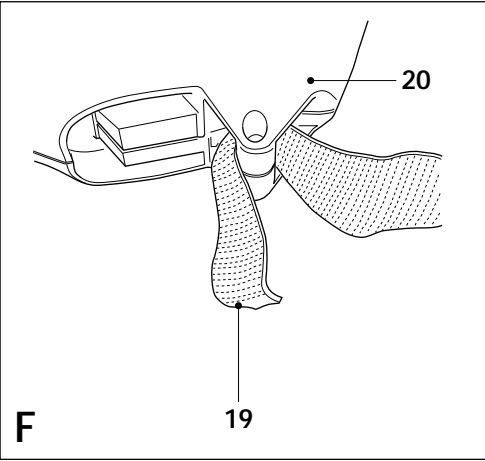
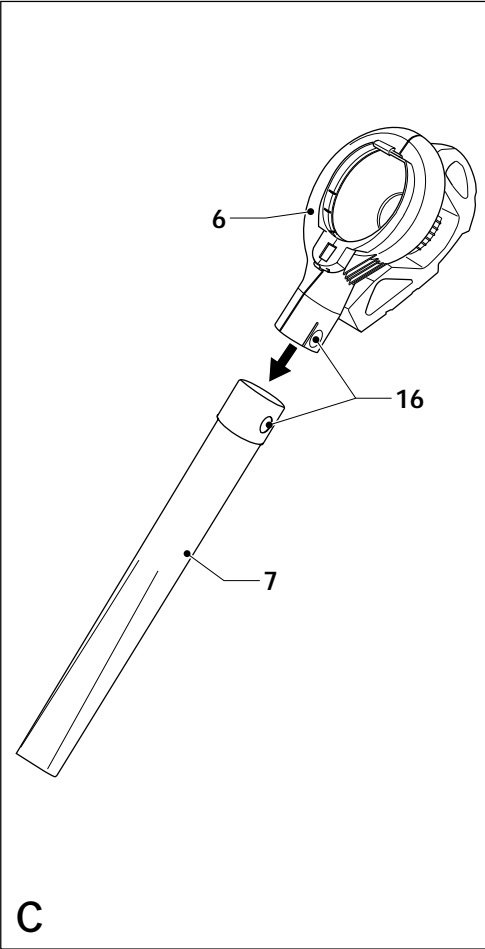
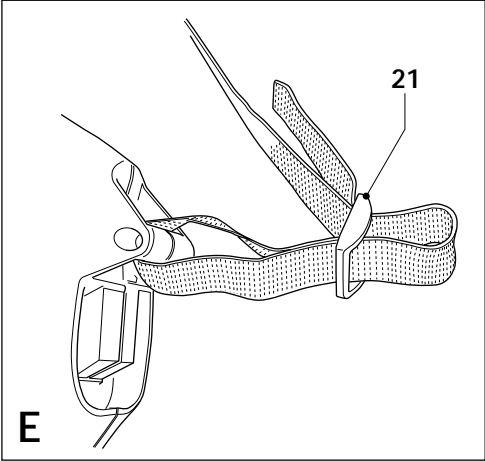
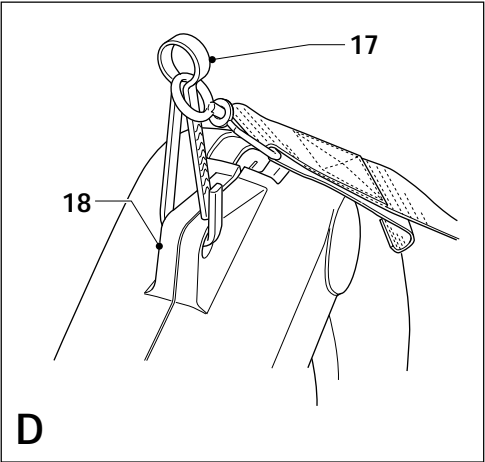
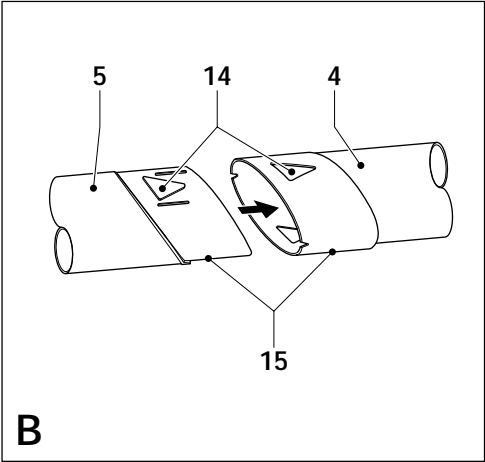
**GW350
GW370**

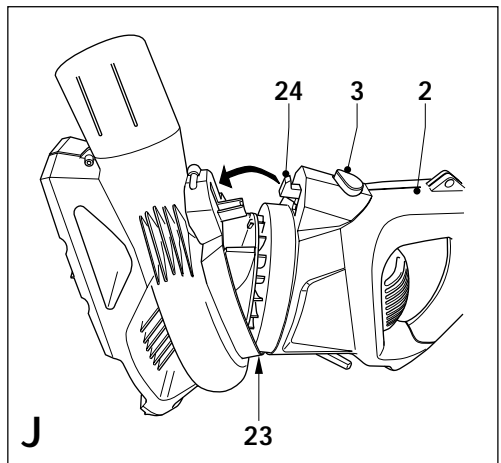
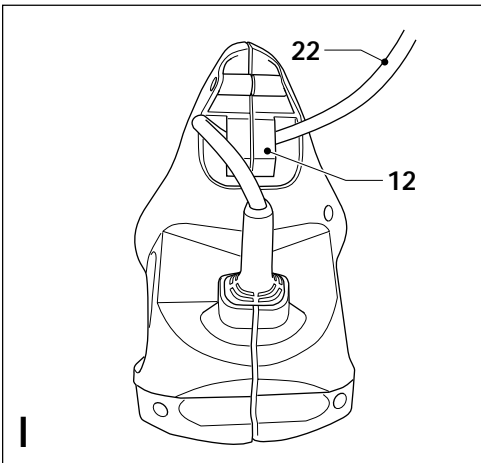
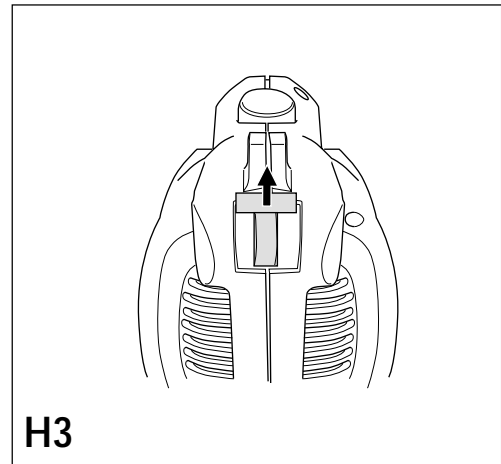
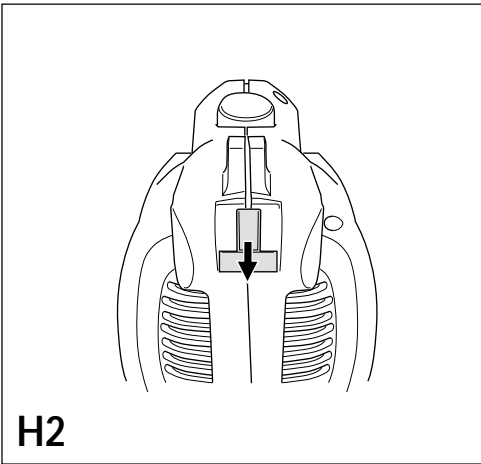
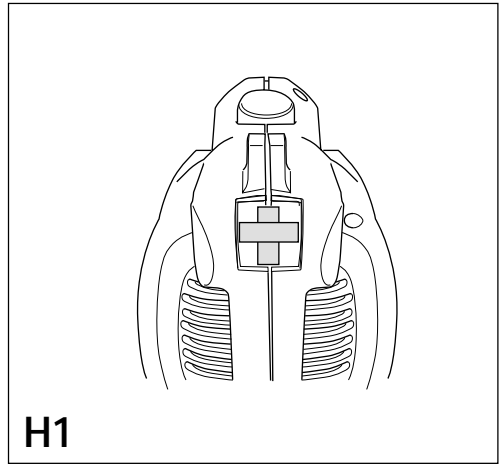
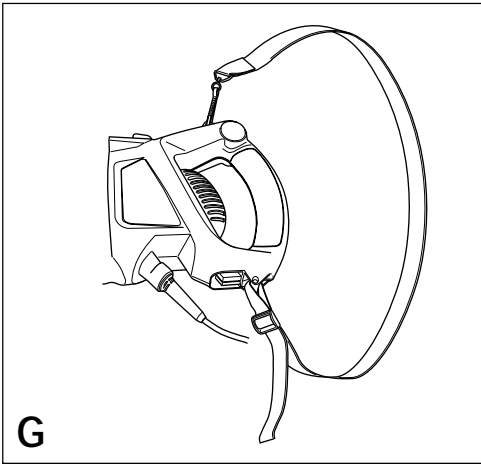
English	7
Italiano	12
Deutsch	18
Français	24
Nederlands	30
Español	36
Português	42
Ελληνικά	48

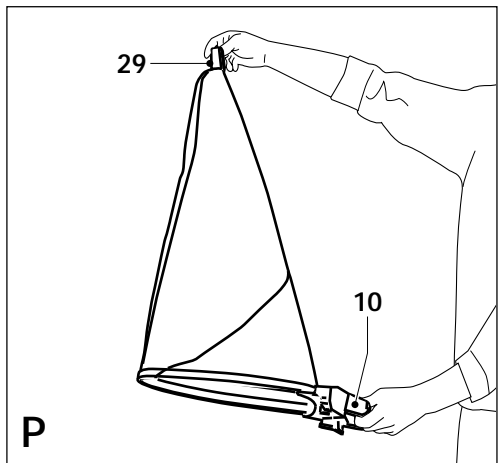
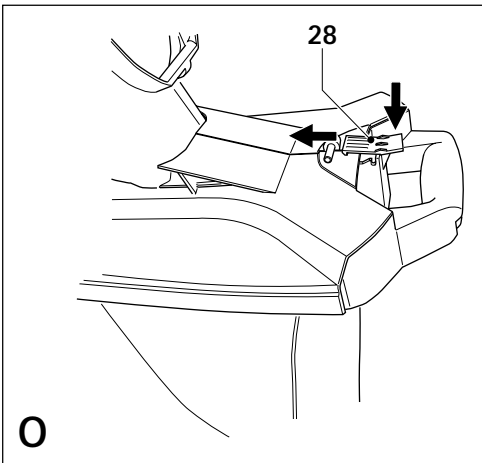
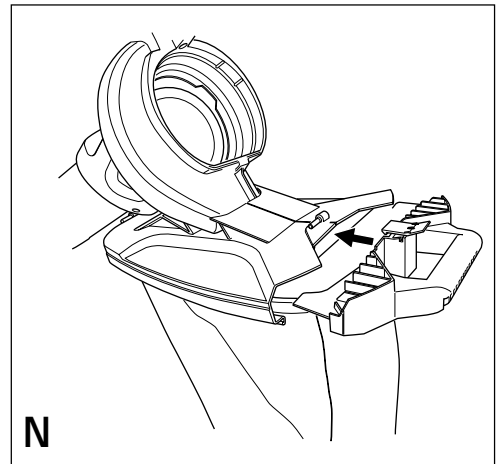
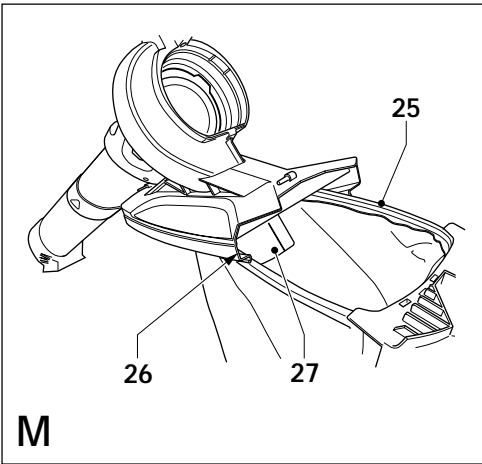
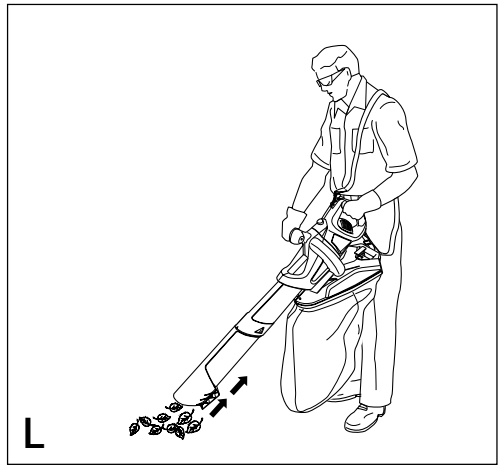
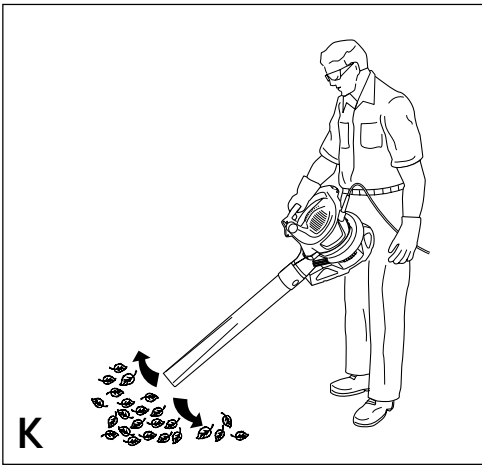


A









User manual

Congratulations!

On purchasing the Black & Decker system which will assure you of problem free leaf clearing.

GW350 & GW370 - Blower Vac

2-speed Vacuuming ✓ Shredding ✓
2-speed Blowing ✓

Your product has many features designed for your benefit, including:

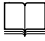
- Powerful motor that blows air and will vacuum/mulch.
- Unique 5 blade fan that will shred leaves into small debris in a 10 to 1 ratio.
- 2-speed switch for maximum convenience.
- Ergonomic design improves comfort and ease of use.
- Large aperture vacuuming tube to maximise the intake of leaves.
- 35 litre easy empty collection bag.

Description (Fig. A)

A Following is a list of parts that will be mentioned in this user manual and are shown in the diagrams:

1. Two-speed on/off switch
2. Powerhead
3. Release button
4. Vacuum tube - upper
5. Vacuum tube - lower
6. Blow clamshell
7. Blow tube
8. Bag top
9. Collection bag
10. Collection bag handle
11. Carrying strap
12. Cable restraint
13. Scraper

Know your product

i  Read this manual carefully, observing all recommended safety precautions before, during and after using your product. Maintain your product in good working order. Familiarise yourself with the controls on your product before attempting to operate it, but above all, be sure you know how to stop the product in an emergency. Retain this manual and all other literature supplied for future reference.

Safety instructions

Training

- Do not allow the unit to be used by persons under the age of 16 or other persons who have not read this user manual. You are responsible if there is an accident.
- Remember that the operator/user is responsible for accidents or hazards occurring to other people or their property.
- Do not allow children, animals or other persons near your product when in use - always keep them at least 6m (20ft) away from the working area.
- Never carry your product by the cable or jerk the cable. Keep the cable away from heat sources, oils or sharp edges. Check the condition of your cable before use and do not use if damaged.



Preparation

- Do not operate your product barefoot or in open sandals.
- To protect your feet and legs, always wear stout shoes or boots and long trousers - freshly cut grass is damp and slippery. Rubber or man made footwear will enhance your safety.
- Use protective equipment. Wear safety spectacles or goggles whilst operating your product in blow mode.
- To prevent dust irritation the wearing of a suitable face mask is recommended.
- Use ear protection if the sound level seems uncomfortable when using your product.





Warning! Secure long hair so it is above shoulder length. Keep loose clothing, ties, tassels and hanging straps away from openings and moving parts.

- The power supply cable should be regularly inspected for signs of damage or ageing, and only used if in good condition.
- Always be sure your product is in a safe operating condition and all parts are secure before use.
- Do not operate the product if any parts are defective or worn.
- Do not pick up burning materials such as lit cigarette butts.
- Do not operate the blower/vacuum in a gaseous or explosive atmosphere as motors in these tools normally spark and this may ignite fumes.

Operation

- Do not use in vacuum mode without the vacuum tubes and collection bag in place.

Always switch off your product, allow the fan to stop and remove the plug from the socket when:

- Changing from blower to vacuum.
- The supply cable has become damaged or entangled.
- You leave your product unattended.
- Clearing a blockage.
- Checking, adjusting, cleaning or working on your product.
- If the appliance starts to vibrate abnormally.
- Do not place the inlet or outlet of the vacuum near eyes or ears when operating. Never blow debris in the direction of bystanders.
- Do not use your product in the rain and do not allow it to get wet. Avoid using the product in wet conditions.
- Use your product only in daylight or good artificial light.
- Do not cross gravel paths or roads whilst your product is switched on during blow/vac mode. Walk, never run.
- Do not place your unit down on gravel whilst it is switched on.
- Always be sure of your footing, particularly on slopes. Do not overreach and keep your balance at all times.



- Do not pick up matter that may be contaminated with flammable or combustible liquids such as gasoline, or use in areas where they might be present.
- Do not place any objects into the openings. Never use if the openings are blocked - keep free of hair, lint, dust and anything that may reduce the airflow.



Warning! Always use your product in the manner outlined in this manual. Your product is designed to be used in an upright mode and if it is used in any other way it may result in injury. Never run your product whilst lying on it's side or upside down.

- Do not carry the appliance by the cable.
- Always direct the cable to the rear away from the appliance.
- If a cord becomes damaged during use, disconnect the supply cord from the mains immediately.
DO NOT TOUCH THE CORD BEFORE DISCONNECTING THE SUPPLY.



Maintenance and storage

- Store your product in a dry place when not in use, out of the reach of children.
- Do not use solvents or cleaning fluids to clean your product - use a blunt scraper to remove grass and dirt.
- Before use, carefully check the appliance and mains cable for damage. Check for misalignment and seizure of moving parts, breakage of parts, damage to guards and switches and any other conditions that may affect its operation. Ensure that the appliance will operate properly and perform its intended function. Do not use the appliance if any part is damaged or defective. Do not use the appliance if the switch does not turn it on and off.
- Have any damaged or defective parts repaired or replaced by an authorised repair agent. Never attempt any repairs yourself.
- If the supply cord is damaged, it must be replaced by the manufacturer or its service agent or a similarly qualified person in order to avoid a hazard. Replace damaged or unreadable labels.
- Check the Debris collector frequently for wear or deterioration.
- Replacement fans are available from a Black & Decker service agent. Only use genuine replacement parts and accessories.

Double insulation



This tool is double insulated; therefore no earth wire is required. Always check that the power supply corresponds to the voltage on the rating plate.

Guard against electric shock.

- Electric safety can be further improved by using a high-sensitivity (30 mA / 30 mS) residual current device (RCD).
- Your appliance is designed for use on AC (mains) electrical supplies only. Do not attempt to use it on any other supply.

Plug replacement (UK only)

Mains plug replacement (U.K. & Ireland only)

If a new mains plug needs to be fitted:

- Safely dispose of the old plug.
- Connect the brown lead to the live terminal in the new plug.
- Connect the blue lead to the neutral terminal.
- Connect the green/yellow lead to the earth terminal.

Warning! Follow the fitting instructions supplied with good quality plugs. Recommended fuse: 13 A.

Extension cables

When using the appliance outdoors, only use extension cables intended for outdoor use. Up to 25 m of Black & Decker 1.5 mm HO5VVF 3-core extension cable can be used without loss of power.

Assembly prior to use (Fig. B & C)

Vacuum tube assembly (Fig. B)

B

- Vacuum tubes must be assembled together before use.
- To ease assembly apply soapy water solution to joint area.
- Align the notches (15) and the triangles (14) on upper (4) and lower (5) tubes.
- Push the lower tube (5) firmly into the upper tube (4), until the triangles click into place. (Never operate apart).
- In the interests of safety, it is not intended for the tubes to be separated once assembled.

Blow tube assembly (Fig. C)

C

- Blow tube must be assembled to the blow clamshell before use.
- Align the circles (16) on the clamshell (6) and the tube (7).

- Push the tube (7) firmly onto the clamshell (6) until the circles click into place.
- For storage the blow tube can be detached from the blow clamshell by depressing the circles on either side and gently sliding off the tube.

Carrying strap assembly (Fig. D - G)

- Fit the carrying strap to the powerhead, if required, and adjust to suit the user. For your comfort, the shoulder strap is designed to be fitted in two ways:

Single Point Attachment (Fig. D)

- Clip the hook (17) through the eyelet (18) on the powerhead.
- Adjust the length of the loop with the buckle.

Double point attachment (Fig. D, E, F & G)

- Clip the hook (17) through the eyelet (18) on the powerhead.
- Remove the loose end of the strap from the buckle.
- Pass the loose (19) end under the boss (20), and thread it back through the buckle (21).
- Adjust the length of the loop with the buckle (Fig. G).

On/off switch (Fig. H1, H2, H3)



Warning! Use both hands to grip the product firmly when switching on.

- For extra control, your blowvac is fitted with a two speed switch located on the handle of the powerhead.
- The switch has a central off. Position 0 (Fig. H1).
- To use in low speed, move the switch fully to the rear. Position I (Fig. H2).
- To change to high speed push the switch back to the off position and then fully forward. Position II (Fig. H3).

Cable restraint (Fig. I)

- A cable restraint is incorporated into the rear of the powerhead.
- Loop the cable (22) through the cable restraint (12).

Using your product (Fig. J)

When using as a blower or vacuum, always wear safety glasses. If using in dusty conditions, wear a filter mask as well.



Switch off your product, allow the fan to stop and remove the plug from the socket before carrying out any adjustment, servicing or maintenance.

Blow mode

J

- Attach the blow clamshell and tube (6 & 7) to the powerhead (2) (Fig. J) by locating the blower as indicated by arrow 23, then pivot about this point until the locking/release catch (24) is fully engaged.
- Hold the blow tube approximately 180mm (7") above the ground, switch your product on and using a sweeping motion from side to side, advance slowly keeping the accumulated debris/leaves in front of you (Fig. K).
- Once you have blown the debris/leaves into a pile, you can convert to vacuum mode to collect the debris.

Removing blow/vacuum tube (Fig. J)

J

- To disconnect the blow clamshell or vacuum tube from the powerhead, depress the release button (3), ensuring the tube does not fall to the ground.
- The release button will not depress if the switch is in the "on" position.

Vacuum mode (Fig. L - P)

To fit the bag assembly to your product: (Fig. M, N, O)

- For vacuuming/shredding, the collection bag (9) must be fitted to the bag holder (8).
- Fig. M: Locate the bag rim (25) into the bag holder channel (26) ensuring that the front of the bag is placed over the vacuum outlet (27).
- Slide the bag fully into the channel and depress the latch (28) to lock the handle into the bag top (Fig. N & O).
- Position the tube slightly above the debris/leaves. Switch your product on, then using a sweeping motion the debris/leaves will be sucked up the tube, shredded and thrown into the collection bag (Fig. L).

- For stubborn debris/leaves your vacuum tube is incorporated with a scraper (13). Use this scraper to loosen the debris and continue to vacuum as normal.
- As the bag fills the power of the suction will decrease, switch off your product and unplug from the mains power supply.
- To remove the bag, depress the latch (28) to disengage from the bag holder and slide the bag out.
- To empty, hold the plastic handle (10) and grab the nylon handle (29) on the underside of the bag. Turn the bag upside down and shake out any debris and leaves.

Fault finding

Failure to operate (1) Check the connection to the power supply.
(2) Check the fuse in the plug, if blown, replace (UK only).
(3) Check that the blow/vacuum tube assembly is correctly fitted to the powerhead.
(4) If the fuse continues to blow - immediately disconnect from the mains power supply and consult your local Black & Decker authorised repair agent.

Poor vacuum/high pitched whine (1) Switch off - disconnect from the mains power supply, debris should fall clear of the tube.
(2) Remove and empty the collection bag.
(3) Check that both the inlet and exit ports on the vacuum tube are clear.
(4) Remove any debris from the fan area.
(5) If poor vacuuming continues - immediately disconnect from the mains power supply and consult your local Black & Decker authorised repair agent.

Poor shredding (1) Switch off - disconnect from the mains power supply and remove the collection bag.
(2) Remove the vacuum tube and inspect the fan.
(3) Clean any debris from the fan blades.
(4) If the fan is cracked or damaged, do not use - consult your local Black & Decker authorised repair agent.

Cleaning your product



Keep your product dry.
Under no circumstances spray with water.

- Clean your product regularly.
- Remove any leaves stuck to the inside of the vacuum tube.
- Plastic parts may be cleaned using a mild soap and a cloth dampened with hot water.



Do not use any type of detergent, cleaner or solvent which may contain chemicals that could seriously damage the plastic.

- Self lubricating bearings are used in your product, therefore lubrication is not required.

Protecting the environment



Black & Decker provides a facility for recycling Black & Decker products once they have reached the end of their working life. This service is provided free of charge. To take advantage of this service please return your product to any authorised repair agent who will collect them on our behalf.

You can check the location of your nearest authorised repair agent by contacting your local Black & Decker office at the address indicated in this manual. Alternatively, a list of authorised Black & Decker repair agents and full details of our after-sales service and contacts are available on the Internet at: www.2helpU.com.

EC Declaration of conformity GW350/370

Black & Decker declares that these products conform to:

98/37/EC, 89/336/EEC, 73/23/EEC,
EN 55014, EN 55104, EN 60335,

2000/14/EC, Leaf blower/collector = 11 m³/min,
Annex V

Level of sound pressure, measured according to
2000/14/EC:

L _{pA}	(sound pressure)	dB(A)	92
L _{WA}	(acoustic power)	dB(A)	105
L _{WA}	(guaranteed)	dB(A)	107

Hand/arm weighted vibration value according to
EN ISO 5329: < 2.5 m/s²

Kevin Hewitt

Director of Consumer Engineering
Spennymoor, County Durham DL16 6JG,
United Kingdom

01-06-2003 (Date of 1st manufacture)

UK patent application nos. 0229517.8; 0300442.1; 302170.6

UK design application no. 3 010 507

European patent nos. 0 723 758 B1; 0 723 759 B1

US patent nos. 5 673 457; 5 604 954

Guarantee

Black & Decker is confident of the quality of its products and offers an outstanding guarantee. This guarantee statement is in addition to and in no way prejudices your statutory rights. The guarantee is valid within the territories of the Member States of the European Union and the European Free Trade Area.

If a Black & Decker product becomes defective due to faulty materials, workmanship or lack of conformity, within 24 months from the date of purchase, Black & Decker guarantees to replace defective parts, repair products subjected to fair wear and tear or replace such products to ensure minimum inconvenience to the customer unless:

- The product has been used for trade, professional or hire purposes;
- The product has been subjected to misuse or neglect;
- The product has sustained damage through foreign objects, substances or accidents;
- Repairs have been attempted by persons other than authorised repair agents or Black & Decker service staff.

To claim on the guarantee, you will need to submit proof of purchase to the seller or an authorised repair agent. You can check the location of your nearest authorised repair agent by contacting your local Black & Decker office at the address indicated in this manual. Alternatively, a list of authorised Black & Decker repair agents and full details of our after-sales service and contacts are available on the Internet at: www.2helpU.com.

Other outdoor tools

Black & Decker has a full range of outdoor power tools that make life in the garden easy. If you would like further information on the following products, please contact our Service and Information Centre (see the address page towards the end of this manual) or your local Black & Decker retailer.

String trimmers
Chainsaws
Cordless shear
Hedge trimmers
Lawnmowers
Lawnrakers
Leafbusters
Shredders

Not all products are available in all countries.

Congratulazioni

L'acquisto del sistema Black & Decker vi consentirà di rimuovere senza problemi le foglie cadute.

GW350 & GW370 - Blower Vac

Aspiratore a due velocità ✓ Trituratore ✓
Soffiatore a due velocità ✓

Questo modello è dotato di molte utili funzioni, tra le quali:

- Potente motore in grado di soffiare aria e di aspirare/triturare.
- Esclusiva ventola a 5 pale in grado di tritare le foglie in piccoli frammenti con rapporto di volume di 10 a 1.
- Interruttore a due velocità per il massimo confort.
- Design ergonomico per grande confort e facilità di utilizzo.
- Tubo aspiratore con apertura disegnata in modo da massimizzare l'asportazione di foglie.
- Sacchetto di raccolta da 35 litri facile da svuotare.

Descrizione (Fig. A)

A Vi elenchiamo di seguito una lista di componenti che verranno nominati in questo manuale e che sono illustrati nei diagrammi:

1. Interruttore on / off a due velocità
2. Testa di alimentazione
3. Tasto di sgancio
4. Tubo di aspirazione - sezione superiore
5. Tubo di aspirazione - sezione inferiore
6. Impugnatura per soffiaggio
7. Tubo per soffiatore
8. Cima del sacchetto
9. Sacchetto di raccolta
10. Impugnatura del sacchetto di raccolta
11. Cinghia per trasporto
12. Fermacavo
13. Raschietto

Conoscete la vostra macchina



Leggete attentamente tutte le istruzioni contenute in questo manuale prima, durante e dopo aver utilizzato la macchina, rispettando le norme di sicurezza e seguendo le avvertenze per un suo corretto mantenimento.

Prima di utilizzare l'utensile, prendete confidenza con la posizione dei comandi ed assicuratevi di essere in grado di spegnere la macchina immediatamente in caso di emergenza.

Tenete con cura il presente manuale per qualsiasi futura necessità.

Norme di sicurezza

Addestramento

- Non consentite l'utilizzo della macchina a persone di età inferiore a 16 anni o che non abbiano letto il presente manuale. Siete responsabili in caso di incidente.
- Ricordate che l'operatore/utilizzatore è legalmente responsabile di eventuali danni e ferimenti ad altre persone e alla loro proprietà.
- Non lasciate avvicinare bambini o animali o altre persone mentre state usando la macchina - fateli sempre stare ad almeno 6 metri di distanza dalla zona di lavoro.
- Non trasportate mai la macchina tenendola per il cavo elettrico. Non tiratelo con troppa forza. Tenete il cavo lontano da sorgenti di calore, olio, bordi affilati. Controllate le condizioni del cavo elettrico prima dell'utilizzo e non usatelo se danneggiato.



Preparazione

- Non utilizzate la macchina a piedi scalzi o con sandali aperti.
- Per proteggere i piedi e le gambe, indossare sempre calzature o stivali e pantaloni a gamba lunga; l'erba appena tagliata è umida e scivolosa. Per motivi di sicurezza sono da preferirsi le calzature in gomma o fatte a mano.
- Utilizzate appositi strumenti protettivi. Portate occhiali o maschera in plexiglas durante il lavoro, nel modo "soffiatore".



- Per evitare irritazioni dovute alla polvere, si suggerisce di indossare una maschera di protezione.
- Utilizzate tappi per proteggere l'udito se il livello del rumore durante l'utilizzo vi sembra troppo alto.



Attenzione! Raccogliere i capelli lunghi al di sopra delle spalle. Abiti ampi, cravatte, fiocchi e cinghie pendenti vanno tenuti a distanza dalle aperture e dalle parti in movimento.

- Ispezionate regolarmente il cavo elettrico per segni di usura o danno ed usatelo solo se in buone condizioni.
- Assicuratevi sempre che la macchina sia in buone condizioni operative e che tutti i componenti siano saldamente fissati prima dell'utilizzo.
- Non utilizzate la macchina con parti usurate o danneggiate.
- Non aspirate materiale infuocato come per esempio mozziconi di sigaretta.
- Non utilizzate la macchina in presenza di atmosfera gassosa o esplosiva in quanto il motore potrebbe produrre scintille e causare esplosioni.

Utilizzo

- Non utilizzate la macchina come aspiratore senza avere correttamente posizionato il tubo aspiratore ed il sacchetto raccoglitore.

Spegnerne sempre il prodotto, attendere che la ventola si fermi e disinserire la spina dalla presa quando:

- Passate da soffiatore ad aspiratore.
- Il cavo elettrico si è danneggiato o incastrato.
- Si lascia il prodotto incustodito.
- Dovete rimuovere un ostacolo.
- Dovete eseguire controlli, regolazioni, pulizia e manutenzione della macchina.
- Se l'attrezzo comincia a vibrare in modo anomalo.
- Non portate vicino agli occhi e alle orecchie le aperture dell'aspiratore durante l'utilizzo. Non dirigere mai in direzione dei presenti il getto d'aria per soffiare via i detriti.
- Non utilizzate la macchina in caso di pioggia e non fate che si inumidisca. Se possibile evitate di usare la macchina in condizioni di umidità.
- Lavorate solo con la luce del giorno o disponendo di buona illuminazione artificiale.



- Non attraversare sentieri di ghiaia o strade quando la macchina è accesa e funziona nel modo di soffiatura/ aspirazione. Procedere con andatura lenta, non correre mai.
- Non adagiare l'utensile sul ghiaietto mentre è acceso.
- Non attraversare viottoli sassosi o strade asfaltate con l'utensile acceso. Non sporgersi e mantenere sempre l'equilibrio.
- Non aspirate materiale che potrebbe essere contaminato da liquidi infiammabili o combustibili come p.es. benzina e non utilizzate la macchina in luoghi dove potrebbero essere presenti.
- Non gettate alcun oggetto nelle aperture. Non lavorate mai se le aperture sono ostruite - tenetele pulite da capelli, polvere, lana ed ogni altro corpo che potrebbe ostruire il flusso d'aria.



Attenzione! Utilizzate sempre la macchina secondo le presenti istruzioni. La macchina è disegnata per un utilizzo verticale e potrebbe causare ferimenti se usata in ogni altra posizione. Non accendete mai la macchina mentre si trova appoggiata di lato o capovolta.

- Non trasportare l'apparecchio afferrandolo per il cavo.
- Il cavo di alimentazione deve essere mantenuto sul lato posteriore, lontano dall'attrezzo.
- Se un cavo si danneggia durante l'uso, disinserire immediatamente la spina dell'apparecchio dalla presa di corrente. **NON TOCCARE IL CAVO PRIMA DI SCOLLEGARE L'ALIMENTAZIONE.**



Cura e manutenzione

- Tenete la macchina in luogo asciutto e fuori dalla portata di bambini.
- Non utilizzate solventi o altri prodotti chimici per la pulizia della macchina - utilizzate una spatola per rimuovere erba e terra impastate.
- Prima dell'uso, ispezionare accuratamente l'utensile e il cavo di alimentazione per rilevare eventuali danni.

Controllare se ci sono parti non allineate o che si muovono, componenti rotti, danni alle protezioni o agli interruttori e qualsiasi altra condizione che possa alterare il funzionamento della macchina. Accertare che il prodotto funzioni come previsto e che venga impiegato per lo scopo per cui è stato progettato. Non usare l'apparecchio se ci sono elementi danneggiati o difettosi e se non è possibile accenderlo e spegnerlo mediante l'interruttore.

- Eventuali elementi difettosi o danneggiati devono essere sostituiti o riparati da un tecnico autorizzato. Non tentare mai di effettuare delle riparazioni.
- Se il cavo di alimentazione è danneggiato, per evitare situazioni pericolose è necessario affidarne la sostituzione al fabbricante, centro di assistenza o comunque a personale qualificato. Sostituire le etichette danneggiate o illeggibili.
- Controllare spesso il raccoglitore di detriti per rilevare segni di usura o deterioramento.
- Le ventole di ricambio sono disponibili presso gli agenti del servizio di assistenza Black & Decker. Usare esclusivamente pezzi di ricambio e accessori originali.

Doppio isolamento



Il doppio isolamento di cui è provvisto l'apparecchio rende superfluo il filo di terra. Controllare sempre che la tensione di alimentazione corrisponda a quella indicata sulla targhetta.

Fare attenzione alle scosse elettriche.

- La sicurezza elettrica può essere ulteriormente ampliata utilizzando un dispositivo a corrente residua (RCD) ad alta sensibilità (30 mA / 30 mS).
- Questo utensile è predisposto esclusivamente per l'alimentazione elettrica (di rete) CA. Non tentare di usarlo con alimentazioni diverse.

Prolunghe

Quando l'attrezzo viene impiegato all'aperto, usare unicamente le prolunghe per uso esterno.

È possibile adoperare un cavo di prolunga di 1,5 mm Black & Decker lungo fino a 25 m senza perdita di potenza.

Montaggio prima dell'uso (Fig. B & C)

Montaggio tubo aspirazione (Fig. B)

B

- I tubi di aspirazione devono essere montati insieme prima dell'utilizzo.
- Per facilitare il montaggio passare sulla zona del giunto una soluzione di acqua saponata.
- Allineare le tacche (15) e i triangoli (14) sui tubi superiore (4) e inferiore (5).
- Installare la sezione inferiore (5) sopra la sezione superiore del tubo (4), finché il triangolo non scatta in posizione (non utilizzarli mai separati).
- Per motivi di sicurezza il montaggio dei tubi si intende permanente.

Assemblaggio del tubo soffiante (Fig. C)

C

- Prima dell'uso, è necessario assemblare il tubo di soffiaggio fissandolo alla relativa impugnatura.
- Allineare i cerchi (16) sull'impugnatura (6) e il tubo (7).
- Spingere con decisione il tubo (7) sull'impugnatura (6) finché i cerchi non scattano in posizione.
- Per conservare l'attrezzo, il tubo di soffiaggio può essere staccato dall'impugnatura premendo i cerchi su ogni lato e facendo fuoriuscire il tubo con delicatezza.

Montaggio tracolla (Fig. D - G)

- Se necessario fissate la tracolla al corpo motore e regolatela come necessario. Per maggiore comodità, la cinghia a tracolla può essere indossata in due modi:

Attacco a un punto (Fig. D)

- Attraverso l'occhiello (18), fissare il gancio (17) alla testa di alimentazione
- Regolare la lunghezza della cinghia mediante la fibbia.

Attacco a due punti (Fig. D, E, F e G)

- Attraverso l'occhiello (18), fissare il gancio (17) alla testa di alimentazione
- Rimuovere dalla fibbia l'estremità libera della cinghia.
- Far scorrere l'estremità libera (19) sotto la borchia (20) e reinfilarla attraverso la fibbia (21).
- Regolare la lunghezza della cinghia mediante la fibbia (Fig. G).



Attenzione! All'accensione, utilizzare entrambe le mani per impugnare saldamente il prodotto.

- Per maggiore controllo, il Blowvac è provvisto di interruttore a due velocità, ubicato sull'impugnatura della testa di alimentazione.
- L'interruttore è spento in posizione centrale. Posizione 0 (Fig. H1).
- Per usare la bassa velocità, spostare l'interruttore completamente indietro. Posizione I (Fig. H2).
- Per passare all'alta velocità, spingere l'interruttore di nuovo in posizione off e poi completamente in avanti. Posizione II (Fig. H3).

Serracavo (Fig. I)

- Un serracavo è incorporato nella parte posteriore del corpo motore.
- Infilare il cavo (22) nel fermacavo (12).

Utilizzo della macchina (Fig. J)

Durante l'utilizzo come soffiatore o aspiratore portate sempre occhiali protettivi. Portate anche una mascherina filtro in presenza di polvere.



Spegnere il prodotto, attendere che la ventola si fermi ed estrarre la spina dalla presa prima di eseguire qualsiasi intervento di regolazione, assistenza o manutenzione.

Soffiatore

- Fissare il tubo e l'impugnatura di soffiaggio (6 e 7) alla testa di alimentazione (2) (Fig. J), posizionando il soffiatore come indicato dalla freccia 23; poi ruotare attorno a questo punto finché il fermo di sgancio / aggancio (24) non è perfettamente impegnato.
- Tenete il tubo a circa 15/20cm dal terreno, accendete la macchina e con un movimento alternato da destra a sinistra avanzate lentamente mantenendo di fronte a voi le foglie o i detriti accumulati (Fig. K).
- Dopo aver formato una pila di foglie/detriti, potete convertire l'utilizzo della macchina in aspiratore per raccogliarli.

Rimozione del tubo di soffiatura/ aspirazione (Fig. J)

J

- Per staccare dalla testa di alimentazione l'impugnatura di soffiaggio o il tubo di aspirazione, spingere il pulsante di sgancio (3), facendo attenzione a non fare cadere a terra il tubo.
- Il pulsante di sgancio non può essere spinto se l'interruttore è in posizione "on".

Aspiratore (Fig. L - P)

Per collegare il sacchetto raccoglitore alla macchina (Fig. M, N, O):

- Per aspirare / triturare è necessario installare il sacchetto di raccolta (9) nel portasacchetto (8).
- Fig. M: Individuare il telaio del sacchetto (25) nel canale del portasacchetto (26), controllando che il lato anteriore del sacchetto sia posizionato sopra la presa di aspirazione (27).
- Fare scivolare il sacchetto completamente nel canale e spingere il fermo (28) per bloccare l'impugnatura sul lato superiore del sacchetto (Fig. N & O).
- Posizionare il tubo leggermente al di sopra delle foglie/detriti. Accendere l'apparecchio, quindi, con un movimento circolare i detriti/ foglie verranno aspirati nel tubo, tritati e gettati nel sacco raccoglifoglie (Fig. L).
- Per le foglie / i detriti più ostinati, il tubo di aspirazione è munito di un raschietto incorporato (13). Utilizzare il raschietto per ammorbidire i detriti e continuare ad aspirarli come d'abitudine.
- Mano a mano che il sacco si riempie, la potenza di aspirazione diminuirà; spegnere l'apparecchio e staccare la spina dalla presa di corrente.
- Per estrarre il sacchetto, spingere il fermo (28) per sganciarlo dal portasacchetto e farlo scivolare fuori.
- Per svuotare il sacchetto, mantenere l'impugnatura di plastica (10) e afferrare l'impugnatura di nailon (29) sul lato inferiore del sacchetto. Capovolgere il sacchetto e svuotarlo, facendone fuoriuscire detriti e foglie.

Ricerca di malfunzionamento

La macchina non funziona (1) Controllate il collegamento alla presa elettrica.
(2) Controllate che il tubo sia correttamente collegato al corpo motore.

Scarsa aspirazione/ suono acuto (1) Spegnete la macchina, staccate la spina dalla presa, eventuali detriti potrebbero cadere fuori dal tubo.
(2) Smontate e svuotate il sacchetto raccoglitore.
(3) Controllate che l'entrata e l'uscita del tubo siano libere da detriti.
(4) Rimuovete eventuali detriti dalla zona della ventola.
(5) Se nonostante gli interventi il difetto permanesse, scollegate immediatamente la spina dalla presa e contattate il vostro rivenditore o centro di assistenza.

Scarsa triturazione (1) spegnete la macchina - staccate la spina dalla presa e smontate il sacchetto raccoglitore.
(2) smontate il tubo e controllate la ventola.
(3) rimuovete eventuali detriti dalle pale della ventola.
(4) se la ventola fosse rotta o danneggiata non utilizzate la macchina e contattate il vostro rivenditore o centro di assistenza.

Pulizia della vostra macchina



Tenete sempre asciutta la macchina. Non spruzzatela mai con acqua.

- Pulite regolarmente la vostra macchina.
- Rimuovete tutte le foglie che si attaccassero all'interno del tubo.
- Le parti plastiche possono essere pulite utilizzando un sapone neutro ed un panno inumidito con acqua calda.



Non utilizzate mai alcun tipo di detergente, solvente o altro prodotto che contenga agenti chimici che potrebbero danneggiare seriamente la plastica.

- La vostra macchina utilizza cuscinetti auto-lubrificanti. Quindi non è necessaria alcuna lubrificazione.

Protezione dell'ambiente



Black & Decker offre ai suoi clienti la possibilità di riciclare i prodotti Black & Decker che hanno esaurito la loro vita di servizio. Il servizio viene offerto gratuitamente. Per utilizzarlo, è sufficiente restituire il prodotto a qualsiasi tecnico autorizzato, incaricato della raccolta per conto dell'azienda.

Per individuare il tecnico autorizzato più vicino, rivolgersi alla sede Black & Decker locale, presso il recapito indicato nel presente manuale.

Altrimenti un elenco completo di tutti i tecnici autorizzati Black & Decker e i dettagli completi sui contatti e i servizi post-vendita sono disponibili su Internet presso: www.2helpu.com.

Dichiarazione CE di conformità

GW350/370

Black & Decker dichiara che i presenti prodotti sono conformi a:

98/37/CEE, 89/336/CEE, 73/23/CEE,
EN 55014, EN 55104, EN 60335,

2000/14/CEE, Sfiatatoio foglie / collettore
= 11 m³/min, Annex V

Livello di rumorosità, dati ricavati in base alla
norma 2000/14/CEE:

L_{pA}	(rumorosità)	dB(A)	92
L_{WA}	(potenza sonora)	dB(A)	105
L_{WA}	(garantito)	dB(A)	107

Il valore medio quadratico ponderato
dell'accelerazione secondo EN ISO 5329:
< 2,5 m/s²

Kevin Hewitt

Direttore tecnico prodotti di consumo
Spennymoor, County Durham DL16 6JG,
United Kingdom

01-06-2003 (Data della prima fabbricazione)
N. di richiesta brevetto nell'RU.
0229517.8; 0300442.1; 0302170.6

N. di richiesta del modello depositato nell'RU. 3 010 507
N. di brevetto europeo 0 723 7580 723 759-B1
N. di brevetto USA 5 673 457; 5 604 954

Garanzia

Certa della qualità dei suoi prodotti, Black & Decker offre una garanzia eccezionale. Il presente certificato di garanzia è complementare ai diritti statutari e non li pregiudica in alcun modo. La garanzia è valida entro il territorio degli Stati membri dell'Unione Europea e dell'EFTA (European Free Trade Area).

Se un prodotto Black & Decker risulta difettoso per qualità del materiale, della costruzione o per mancata conformità entro 24 mesi dalla data di acquisto, Black & Decker garantisce la sostituzione delle parti difettose, provvede alla riparazione dei prodotti se ragionevolmente usurati oppure alla loro sostituzione, in modo da ridurre al minimo il disagio del cliente a meno che:

- Il prodotto non sia stato destinato ad usi commerciali, professionali o al noleggio;
- Il prodotto non sia stato usato in modo improprio o scorretto;
- Il prodotto non abbia subito danni causati da oggetti o sostanze estranee oppure incidenti;
- Il prodotto non abbia subito tentativi di riparazione non effettuati da tecnici autorizzati né dall'assistenza Black & Decker.

Per attivare la garanzia è necessario esibire la prova comprovante l'acquisto al venditore o al tecnico autorizzato. Per individuare il tecnico autorizzato più vicino, rivolgersi alla sede Black & Decker locale, presso il recapito indicato nel presente manuale. Altrimenti un elenco completo di tutti i tecnici autorizzati Black & Decker e i dettagli completi sui contatti e i servizi post-vendita sono disponibili su Internet presso: www.2helpU.com.

Altri utensili di giardinaggio

La Black & Decker ha una gamma completa di utensili per il giardinaggio che rende semplice la vita in giardino. Se desiderate ulteriori informazioni sui seguenti prodotti, vi preghiamo di contattare il nostro Centro D'Informazione e Manutenzione (vedere la pagina degli indirizzi alla fine di questo libretto d'istruzioni) od il vostro rivenditore Black & Decker.

Elettroseghe

Scope elettriche

Tosasiepi a batteria

Tagliasiepi a batteria

Tosasiepi

Tosaerba

Rastrelli

Biotrituratori

Non tutti i prodotti sono disponibili in tutti i paesi.

Herzlichen Glückwunsch

Mit Ihrem Kauf des Black & Decker Systems haben sie ein Produkt gekauft, welches Ihnen problemloses Laubsaugen ermöglicht.

GW350 & GW370 - Blower Vac

Saugen mit zwei Geschwindigkeiten ✓ Häckseln ✓
Blasen mit zwei Geschwindigkeiten ✓

Die Laubsauger haben viele Eigenschaften, die für eine einfache und gute Handhabung sorgen:

- Der kraftvolle Motor bläst die Luft und saugt/häckselt.
- Die einzigartige 5-Blatt-Turbine häckselt das Laub und verringert den Abfall auf 1/10 des ursprünglichen Volumens.
- Bequem angeordneter Schalter für zwei Geschwindigkeiten.
- Ergonomisches Design für bessere Bedienerfreundlichkeit und Komfort.
- Der große Durchmesser des Saugrohrs garantiert ein Maximum an Saugleistung.
- Leicht zu leerender 35-Liter-Fangsack.

Beschreibung (Abb. A)

A Nachstehend eine Liste derjenigen Teile, die in dieser Bedienungsanleitung erwähnt werden und in den Abbildungen gezeigt werden:

1. Zweistufiger Ein-/Ausschalter
2. Antriebskopf
3. Entriegelungsknopf
4. Saugrohr - oben
5. Saugrohr - unten
6. Gebläse-Halbschale
7. Blasrohr
8. Oberseite des Fangsacks
9. Fangsack
10. Handgriff des Fangsacks
11. Tragegurt
12. Kabel-Zugentlastung
13. Schaber

Geräteinformation

i Bitte lesen Sie diese Bedienungsanleitung und beachten Sie alle empfohlenen Sicherheitshinweise vor und während des Arbeitens mit Ihrem Laubsauger. Halten Sie Ihr Werkzeug immer in gutem Zustand.

Machen Sie sich mit den Funktionen Ihres Black & Decker Laubsaugers vertraut und versichern Sie sich, daß Sie das Gerät im Notfall schnell stoppen können.

Bitte bewahren Sie diese Bedienungsanleitung gut auf, damit Sie auch zukünftig etwas nachlesen können.

Sicherheitshinweise

Bitte lesen Sie alle Hinweise, bevor Sie das Gerät benutzen!

Hinweise

- Erlaubens Sie keinen Personen, die diese Bedienungsanleitung nicht gelesen haben oder noch unter 16 Jahren sind die Benutzung des Gerätes. Im Falle eines Unfalles sind Sie verantwortlich!
- Beachten Sie, daß der Bediener für Unfälle oder Gefahren, die vom Gerät auf andere Personen oder deren Eigentum ausgehen, verantwortlich ist.
- Halten Sie andere Personen, insbesondere Kinder oder Haustiere von dem laufenden Gerät fern. Sie selbst sind dafür verantwortlich, daß kein Unfall geschieht - Halten Sie o.g. Personen wenigstens 6 Meter von Ihrem Arbeitsgebiet fern.
- Tragen Sie Ihr Gerät niemals am Kabel und reißen Sie bitte nicht am Kabel. Halten Sie das Kabel von scharfen Kanten, heißen Oberflächen und Öl fern. Überprüfen Sie den Zustand des Kabels vor Gebrauch und benutzen Sie es nicht, sofern es beschädigt ist.



Vorbereitung

- Bedienen Sie das Gerät nicht barfuß oder in offenen Sandalen.
- Zum Schutz Ihrer Füße und Beine tragen Sie stets festes Schuhwerk oder Stiefel und lange Hosen - frisch gemähter Rasen ist feucht und rutschig. Gummistiefel bzw. festes Schuhwerk erhöhen Ihre Sicherheit.



- Tragen Sie beim Arbeiten mit dem Gebläse immer eine Schutzbrille oder entsprechende Sicherheitsgläser.
- Um sich vor Staub zu schützen, wird das Tragen eines angemessenen Gesichtsschutzes empfohlen.
- Tragen Sie einen Lärmschutz, sobald der Lärmpegel des Arbeitens unangenehm wird.



Warnung: Langes Haar hochstecken, damit es nicht länger als schulterlang ist. Lose sitzende Kleidung, Krawatten, Quasten und herabhängende Riemen von Öffnungen und beweglichen Teilen fernhalten.

- Das Stromkabel sollte regelmäßig auf Zeichen von Schäden oder Verschleiß überprüft werden und nur in gutem Zustand verwendet werden.
- Überzeugen Sie sich vor Arbeitsbeginn immer vom einwandfreien Zustand Ihres Gerätes.
- Arbeiten Sie nicht mit Ihrem Laubsauger, wenn irgendwelche Geräteteile defekt oder abgenutzt sind.
- Saugen Sie keine glimmenden Teile wie beispielsweise Zigarettenkippen ein.
- Arbeiten Sie mit Ihrem Gerät niemals in explosiver oder gasgefüllter Atmosphäre, da bei Elektromotoren üblicherweise beim Betrieb Funken entstehen und dadurch Brände ausgelöst werden können.

Bedienung

- Benutzen Sie Ihren Laubsauger nicht als Sauggerät, ohne daß Sie vorher das Saugrohr und den Laubfangsack montiert haben.

Schalten Sie das Produkt stets aus, lassen Sie den Lüfter zum Stillstand kommen und ziehen Sie den Stecker aus der Steckdose, falls:

- Sie das Gerät von der Blasfunktion auf die Saugfunktion umbauen.
- Das Netzkabel beschädigt wurde oder sich verwickelt hat.
- Wenn Sie das Gerät unbeaufsichtigt zurücklassen.
- Sie das verstopfte Rohr reinigen wollen.
- Sie das Gerät kontrollieren, säubern oder an der Maschine arbeiten wollen.
- Wenn das Gerät beginnt, übermäßig stark zu vibrieren.



- Bitte halten Sie Augen und Ohren fern von der Ausblas- bzw. Ansaugöffnung. Den Unrat niemals in die Richtung blasen, in der sich Personen aufhalten.
- Benutzen Sie Ihren Laubsauger nicht im Regen und achten Sie darauf, daß er nicht naß wird. Verzichten Sie auf Gebrauch des Laubsaugers in nassem Gras.
- Benutzen Sie das Gerät nur bei Tageslicht oder sehr hellen künstlichen Lichtverhältnissen.
- Bei eingeschaltetem Gerät im Blas-/Saugmodus keine Kieswege oder Straßen überqueren. Laufen Sie niemals, gehen Sie statt dessen.
- Legen Sie das Gerät niemals auf Kiesel, solange es eingeschaltet ist.
- Achten Sie immer darauf, daß Sie sicher stehen und nicht das Gleichgewicht verlieren - vor allem dann, wenn Sie an Hanglagen arbeiten. Strecken Sie sich nicht zu weit nach vorne, und halten Sie stets das Gleichgewicht.
- Saugen Sie keine Materialien ein, die mit einer entflammaren Flüssigkeit (Beispiel: Benzin) getränkt sind oder mit einer solchen in Berührung geraten sein könnten.
- Legen Sie keine losen Gegenstände in die Öffnungen des Gerätes. Benutzen Sie das Gerät nie, wenn die Öffnungen durch solche Teile blockiert sind. Halten Sie die Öffnungen frei von Haaren, Fussesin, Staub oder ähnlichem, was die Saug- bzw. die Blasleistung Ihres Gerätes reduzieren könnte.



Achtung! Halten Sie sich bei der Benutzung Ihres Laubsauger immer an die Hinweise der Bedienungsanleitung. Ihr Laubsauger ist so konstruiert, daß er in aufrechter Position benutzt werden kann - der Gebrauch in jeder anderen Position kann Verletzungen nach sich ziehen. Schalten Sie das Gerät niemals an, während es auf der Seite oder auf dem Kopf liegt.

- Tragen Sie das Gerät nicht am Kabel.
- Führen Sie das Kabel immer nach hinten - weg vom Gerät.



- Falls ein Kabel beim Gebrauch beschädigt wird, trennen Sie das Versorgungskabel sofort vom Netz. **BERÜHREN SIE DAS KABEL NICHT, SOLANGE ES NOCH NICHT VOM NETZ GETRENNT IST.**

Pflege/Instandhaltung

- Bewahren Sie Ihren Laubsauger stets an einem trockenem Ort außerhalb der Reichweite von Kindern auf.
- Benutzen Sie keine scharfen Reinigungs- oder Lösungsmittel, da diese die Plastikteile des Gerätes angreifen könnten. Verwenden Sie zur Reinigung lediglich ein feuchtes Tuch.
- Halten Sie die Rohre des Gerätes mit einem stumpfen Kratzer sauber, so ist die optimale Leistungsstärke gewährleistet.
- Überprüfen Sie das Gerät und das Netzkabel vor der Arbeit auf Beschädigungen. Vergewissern Sie sich, daß alle beweglichen Teile richtig montiert sind und nicht klemmen, daß keine Teile gebrochen sind, daß keine Schutzvorrichtungen und Schalter beschädigt sind, und prüfen Sie, ob irgendwelche anderen Schäden den einwandfreien Betrieb des Gerätes beeinträchtigen könnten. Vergewissern Sie sich, daß das Gerät ordnungsgemäß funktioniert. Benutzen Sie das Gerät nicht, wenn irgendein Teil defekt ist. Verwenden Sie das Gerät nicht, wenn der Ein-/Ausschalter nicht funktioniert.
- Lassen Sie defekte Teile immer von einer unserer Kundendienstwerkstätten reparieren oder austauschen. Versuchen Sie nie, das Gerät selber zu reparieren.
- Falls das Netzkabel beschädigt ist, so ist es vom Hersteller oder einem autorisierten Servicecenter auszutauschen, um Gefahren vorzubeugen. Beschädigte und unleserliche Schilder sind zu erneuern.
- Überprüfen Sie den Fangsack gelegentlich auf Verschleiß und Alterung.
- Ersatz-Gebläse sind erhältlich beim Zentralkundendienst. Verwenden Sie nur Original-Ersatzteile und Zubehör.

Doppelisolierung



Dieses Gerät ist schutzisoliert, daher ist keine Erdleitung erforderlich. Überprüfen Sie stets, ob die Netzspannung der auf dem Typenschild angegebenen Spannung entspricht.

Schutz vor elektrischem Schlag.

- Die elektrische Sicherheit läßt sich durch Verwendung eines Fehlerstrom-Schutzschalters (FI-Schalter) (30 mA/30 ms) zusätzlich erhöhen.
- Ihr Gerät wurde ausschließlich für Wechselstrombetrieb (Lichtnetz) ausgelegt. Versuchen Sie nicht, das Gerät mit einer anderen Stromversorgung zu betreiben.

Verlängerungskabel

- Wenn Sie das Gerät im Freien verwenden, verwenden Sie nur Verlängerungskabel, die sich für den Einsatz im Freien eignen.
- Ein bis zu 25 m langes Black & Decker Verlängerungskabel mit 3 x 1,5 mm HO5VVF kann verwendet werden, ohne daß Leistungsverluste entstehen.

Montage des Gerätes (Abb. B & C)

Saugfunktion (Abb. B)

- B**
- Die Saugrohre müssen vor Gebrauch montiert werden.
 - Zum einfacheren Zusammenbau tragen Sie auf die Verbundflächen eine Seifenwasserlösung auf.
 - Die Kerben (15) und Dreiecke (14) am oberen (4) und unteren (5) Rohr ausrichten.
 - Das untere Rohr (5) fest in das obere Rohr (4) schieben, bis die Dreiecke in ihrer Lage einrasten. (Niemals in nicht zusammengesteckten Zustand betreiben.)
 - Im Interesse der Sicherheit sollten die Rohre, nachdem sie zusammengesetzt wurden, nicht auseinandergenommen werden.

Montage des Gebläserohrs (Abb. C)

- C**
- Das Blasrohr muß vor der Verwendung an der Gebläse-Halbschale angebracht werden.
 - Die Kreise (16) an der Halbschale (6) und dem Rohr (7) ausrichten.
 - Das Rohr (7) fest auf die Halbschale (6) schieben, bis die Kreise in ihrer Lage einrasten.
 - Zur Aufbewahrung kann das Blasrohr von der Gebläse-Halbschale abgenommen werden, indem die Kreise auf jeder Seite gedrückt und das Rohr sanft abgezogen wird.

Tragegurt (Abb. D - G)

- Befestigen Sie den Tragegurt am Motorgehäuse Ihres Laubsaugers und richten Sie ihn nach Ihrer Körpergröße aus. Der Tragegurt dient Ihrem Komfort und kann auf zweierlei Weise angeordnet werden:

Einzelpunktbefestigung (Abb. D)

- Führen Sie den Haken (17) durch die Öse (18) am Antriebskopf.
- Stellen Sie die Länge der Schlaufe mit der Schnalle ein.

Doppelpunktbefestigung (Abb. D, E, F & G)

- Führen Sie den Haken (17) durch die Öse (18) am Antriebskopf.
- Entfernen Sie das lose Ende des Gurts aus der Schnalle.
- Führen Sie das lose Ende (19) unter den Ansatz (20) und zurück durch die Schnalle (21).
- Stellen Sie die Länge der Schlaufe mit der Schnalle ein (Abb. G).

Betriebsschalter (Abb. H1, H2, H3)



Achtung! Halten Sie das Produkt beim Einschalten mit beiden Händen sicher fest. Zur zusätzlichen Steuerungsmöglichkeit ist Ihr Blowvac mit einem Zweigeschwindigkeitsschalter am Handgriff des Antriebskopfs ausgestattet.

- Der Schalter ist in der Mittelstellung ausgeschaltet. Stellung 0 (Abb. H1).
- Um das Gerät mit niedriger Geschwindigkeit zu verwenden, bewegen Sie den Schalter ganz nach hinten. Stellung I (Abb. H2).
- Um die hohe Geschwindigkeit zu verwenden, schieben Sie den Schalter zurück bis zur Aus-Stellung und anschließend ganz nach vorn. Stellung II (Abb. H3).

Kabel-Zugentlastung (Abb. I)

- Eine Kabelhalterung befindet sich an der Unterseite des Handgriffes.
- Führen Sie das Kabel (22) durch die Zugentlastung (12).

Arbeitshinweise (Abb. J)

Tragen Sie bei der Benutzung des Gerätes immer eine Schutzbrille. Sobald Sie mit großer Staubentwicklung arbeiten, sollten Sie zusätzlich eine entsprechende Maske tragen.



Schalten Sie das Produkt aus, lassen Sie die Lüfter zum Stillstand kommen und ziehen Sie den Stecker aus der Steckdose, bevor Sie irgendwelche Einstellungen, Reparaturen oder Wartungsarbeiten vornehmen.

Blasfunktion



- Bringen Sie die Gebläse-Halbschale und das Rohr (6 & 7) am Antriebskopf (2) (Abb. J) an, indem Sie das Gebläse wie durch den Pfeil 23 gekennzeichnet anordnen und anschließend um diesen Punkt schwenken, bis das Sicherungs-/Löse-Gegenstück (24) vollständig eingreift.
- Halten Sie das Blasrohr etwa 20cm über dem Boden, schalten Sie das Gerät ein und schwingen Sie damit leicht von einer Seite zur anderen. Schreiten Sie langsam vorwärts, indem Sie das gesammelte Laub vor sich hertreiben (K).
- Sobald Sie die Blätter zu einem Haufen zusammengeblasen haben, können Sie auf die Saugfunktion umstellen, um das Laub einzusaugen.

Entfernen des Blas-/Saugrohres (Abb. J)



- Um die Gebläse-Halbschale oder das Saugrohr vom Antriebskopf zu lösen, drücken Sie auf den Entriegelungsknopf (3) und achten Sie darauf, dass das Rohr nicht auf den Boden fällt.
- Der Entriegelungsknopf läßt sich nicht herunterdrücken, falls der Schalter eingeschaltet ist.

Saugfunktion (Abb. L - P)

Montage des Fangsackes an das Gerät (Abb. M, N, O):

- Zum Saugen/Häckseln muß der Fangsack (9) am Fangsackhalter (8) angebracht werden.
- Abb. M: Die Fangsackfelge (25) im Fangsackhalterprofil (26) anbringen und dabei sicherstellen, daß die Vorderseite des Fangsacks über dem Saugauslaß (27) angebracht wird.

- Den Fangsack ganz in das Profil hineinschieben und die Lasche (28) herunterdrücken, um den Handgriff in der Oberseite des Fangsacks zu sichern (Abb. N & O).
- Das Saugrohr in geringer Höhe über die Blätter, Zweige und anderen organischen Abfälle halten. Das Gerät einschalten und mit einer Schwenkbewegung die Blätter und Abfälle in das Rohr aufsaugen, wo sie gehäckselt und in den Fangsack geworfen werden (Abb. L).
- Für hartnäckigen Unrat/Laub ist das Saugrohr mit einem Schaber (13) versehen. Verwenden Sie diesen Schaber, um den Unrat zu lockern und dann wie gewohnt aufzusaugen.
- Mit Füllen des Fangsacks nimmt die Saugkraft ab. Gerät ausschalten und den Netzstecker aus der Steckdose ziehen.
- Um den Fangsack zu entfernen, drücken Sie auf die Lasche (28), um den Fangsackhalter freizugeben und den Fangsack herauszuschieben.
- Zum Entleeren halten Sie den Kunststoffhandgriff (10) und ergreifen Sie den Nylon-Handgriff (29) an der Unterseite des Fangsacks. Drehen Sie den Fangsack um und schütteln Sie den Unrat und das Laub heraus.

- (3) Überprüfen Sie, daß sowohl die inneren als auch die äußeren Öffnungen des Saugrohres leer sind.
- (4) Entfernen Sie jeglichen Schmutz vom Gebläse.
- (5) Sollte die geringe Saugleistung dennoch fortbestehen, ziehen Sie bitte sofort den Netzstecker und nehmen Sie Kontakt mit unserem Zentralkundendienst auf.

Geringe Häckselleistung

- (1) Schalten Sie bitte das Gerät ab und ziehen Sie den Netzstecker. Nehmen Sie dann bitte den Fangsack ab.
- (2) Nehmen Sie das Saugrohr ab und überprüfen Sie das Gebläse.
- (3) Entfernen Sie jeglichen Schmutz von der Turbine.
- (4) Wenn das Gebläse zerbrochen oder beschädigt ist, stoppen Sie bitte sofort Ihre Arbeit und nehmen Sie Kontakt mit unserem Zentralkundendienst auf.

Fehlersuche

Fehlerhafte Funktion des Laubsaugers

- (1) Überprüfen Sie die Stromverbindung.
- (2) Überprüfen Sie, daß der Aufsatz des Rohres richtig auf dem Handgriff angebracht ist.
- (3) Sollte weiterhin eine Fehlfunktion bestehen, ziehen Sie bitte den Netzstecker und nehmen Sie Kontakt mit unseren Zentralkundendienst auf.

Geringe Saugleistung/ Hoher Heulton

- (1) Schalten Sie das Gerät ab und ziehen Sie den Netzstecker. Das aufgesaugte Laub sollte vollständig aus dem Rohr fallen.
- (2) Entfernen und leeren Sie den Fangsack.

Reinigung Ihrer Maschine



Halten Sie Ihre Maschine trocken. Besprühen Sie das Gerät niemals mit Wasser.

- Reinigen Sie Ihre Maschine bitte regelmäßig.
- Entfernen Sie die Blätter, die an der Innenseite des Rohres kleben.
- Plastikteile können Sie mit einer milden Seife und einem feuchten heißen Tuch reinigen.



Verwenden Sie bitte keinerlei Lösungsmittel oder Reinigungsmittel, die Chemikalien enthalten, welche die Plastikteile beschädigen könnten.

- Ihre Maschine enthält Schmiermittel, daher ist eine zusätzliche Verwendung von Schmiermitteln nicht nötig.



Black & Decker nimmt Ihre ausgedienten Black & Decker Geräte gern zurück und sorgt für eine umweltfreundliche Entsorgung. Diese Dienstleistung ist für Sie kostenlos. Um diese Dienstleistung in Anspruch zu nehmen, geben Sie das Gerät bitte bei einer autorisierten Reparaturwerkstatt ab, die für uns die Einsammlung übernimmt.

Die Adresse des zuständigen Büros von Black & Decker finden Sie in dieser Anleitung, darüber läßt sich die nächstgelegene Vertragswerkstatt ermitteln. Außerdem ist eine Liste der Vertragswerkstätten und aller Kundendienststellen von Black & Decker sowie der zuständigen Ansprechpartner im Internet zu finden unter: www.2helpU.com.

EU-Konformitätserklärung

GW350/370

Black & Decker erklärt, daß diese Produkte folgende Konformität erfüllen:

98/37/EWG, 89/336/EWG, 73/23/EWG, EN 55014, EN 55104, EN 60335,

2000/14/EWG, Laubgebläse/Sammler = 11 m³/min, Anhang V

Höhe des Schalldrucks, gemessen nach 2000/14/EWG:

L _{PA}	(Schalldruck)	dB(A) 92
L _{WA}	(Schalleistung)	dB(A) 105
L _{WA}	(garantiert)	dB(A) 107

Gewichteter Effektivwert der Beschleunigung nach EN ISO 5329: < 2,5 m/s²

Kevin Hewitt

Director of Consumer Engineering
Spennymoor, County Durham DL16 6JG,
United Kingdom

01-06-2003 (Datum der ersten Herstellung)

UK-Patentanmeldungen Nr. 0229517.8; 0300442.1; 0302170.6

UK-Geschmacksmuster Nr. 3 010 507

Europäische Patentnummern 0 723 758 B1; 0 723 759 B1

US-Patentnummern 5 673 457; 5 604 954

Garantie

Black & Decker vertraut auf die Qualität der eigenen Geräte und bietet dem Käufer eine außergewöhnliche Garantie. Diese Garantiezusage versteht sich unbeschadet der gesetzlichen Gewährleistungsansprüche und schränkt diese keinesfalls ein. Sie gilt in sämtlichen Mitgliedsstaaten der Europäischen Union und der Europäischen Freihandelszone EFTA.

Tritt innerhalb von 24 Monaten ab Kaufdatum an einem Gerät von Black & Decker ein auf Material- oder Verarbeitungsfehler zurückzuführender Mangel auf, garantiert Black & Decker den Austausch defekter Teile, die Reparatur von Geräten mit üblichem Verschleiß bzw. den Austausch eines mangelhaften Geräts, ohne den Kunden dabei mehr als unbedingt nötig in Anspruch zu nehmen, allerdings vorbehaltlich folgender Ausnahmen:

- wenn das Gerät gewerblich, beruflich oder im Verleihgeschäft benutzt wurde;
- wenn das Gerät mißbräuchlich verwendet oder mit mangelnder Sorgfalt behandelt wurde;
- wenn das Gerät durch irgendwelche Fremdeinwirkung beschädigt wurde;
- wenn ein unbefugter Reparaturversuch durch anderes Personal als das einer Vertragswerkstatt oder des Black & Decker-Kundendienstes unternommen wurde.

Zur Inanspruchnahme dieser Garantie ist dem Verkäufer bzw. der Vertragswerkstatt ein Kaufnachweis vorzulegen. Die Adresse des zuständigen Büros von Black & Decker steht in dieser Anleitung, darüber läßt sich die nächstgelegene Vertragswerkstatt ermitteln. Außerdem ist eine Liste der Vertragswerkstätten und aller Kundendienststellen von Black & Decker sowie der zuständigen Ansprechpartner im Internet zu finden unter: www.2helpU.com.

Weitere Gartengeräte

Black & Decker bietet ein großes Sortiment an Gartengeräten an, die die Gartenarbeit erheblich erleichtern. Für nähere Informationen zu den folgenden Geräten wenden Sie sich bitte an den Black & Decker Kundendienst (Adresse hinten in dieser Anleitung) oder an Ihren Händler.

Rasentrimmer	Kettensägen
Akku-Strauhscheren	Akku-Grasscheren
Heckenscheren	Rasenmäher
Rasenlüfter	Laubsauger
Häcksler	

Nicht alle Produkte sind in allen Ländern erhältlich.

Félicitations

Votre acquisition du puissant aspirateur-broyeur GW200/225/250 de Black & Decker va faciliter la tâche de nettoyage de votre jardin.

GW350 & GW370 - Blower Vac

Aspiration à 2 vitesses ✓ Broyeur ✓
Souffle à 2 vitesses ✓

Ce produit possède de nombreuses spécificités dont:


- Un puissant moteur soufflant aspirant et broyant.
- Un système exclusif de rotor à 5 lames qui réduit les débris de 10 à 1.
- Variateur de vitesse pour une plus grande facilité d'utilisation.
- Des grandes poignées conçues pour le confort et la facilité d'utilisation.
- Un tube d'aspiration à large ouverture pour optimiser la collecte des feuilles.
- Sac collecteur de 35 litres

Description (Fig. A)

A Voici les éléments que vous retrouverez dans le manuel et qui sont illustrés sur les schémas:

1. Interrupteur marche / arrêté à deux vitesses
2. Bloc moteur
3. Bouton de verrouillage
4. Partie haute du tube d'aspiration
5. Partie basse du tube d'aspiration
6. Bague de souffle
7. Tuyau souffleur
8. Partie haute du sac
9. Sac collecteur de déchets
10. Poignée du sac collecteur
11. Sangle de soutien
12. Dispositif serre-câbles
13. Grattoir

Familiarisez - vous avec votre machine

 Lisez cette notice avec attention, observez scrupuleusement toutes les instructions de sécurité. Maintenez votre produit en bon état de marche.

Familiarisez-vous avec le contrôle de votre machine et surtout assurez-vous que vous savez l'arrêter en cas d'urgence.

Conservez cette notice et tous les autres documents fournis.

Instructions de sécurité

Entraînement

- N'autorisez pas l'utilisation de la machine aux personnes de moins de 16 ans ou n'ayant pas lu la présente notice. Vous seriez responsable de tout accident pouvant survenir.
- Souvenez-vous que l'utilisateur peut être tenu responsable de tout accident ou dommage subi par des tiers ou par des biens appartenant à des tiers.
- N'autorisez pas aux tierces personnes et animaux de s'approcher de la machine lorsque vous l'utilisez.
- Ne transportez jamais votre machine par le câble et ne tirez pas dessus pour débrancher. Maintenez le câble à l'écart des angles coupants ou de surfaces surchauffées.



Préparation

- N'utilisez pas l'outil pieds nus ou en ne portant que des sandales.
- Pour protéger mains et jambes, portez toujours des chaussures ou des bottes de sécurité et un pantalon long – l'herbe fraîchement coupée est humide et glissante. Des protections en caoutchouc vous permettront d'accroître votre sécurité.
- Portez impérativement des lunettes de protection.
- Pour empêcher toute irritation à cause de la poussière, le port d'un masque est recommandé.
- Portez des protections auditives lorsque le niveau sonore semble gênant.



Attention! Attachez les cheveux longs de façon à ce qu'ils ne dépassent pas le niveau des épaules. Tenez les vêtements amples, les cravates, les lanières et les brides à l'écart des ouvertures et des pièces mobiles.

- Le câble doit être contrôlé régulièrement et utilisé seulement s'il est en parfait état.
- Assurez-vous toujours que la machine est en parfait état de marche.
- Ne travaillez pas si une pièce de la machine est défectueuse ou si les conditions de sécurité ne sont pas remplies.
- N'aspirez pas les matières brûlantes telles que les mégots de cigarettes.
- N'utilisez pas l'aspirateur dans une atmosphère gazeuse ou explosive, le moteur créant naturellement des étincelles, cela peut être dangereux.

Utilisation

- N'utilisez pas le mode aspiration sans avoir préalablement mis en place le tube d'aspiration et le sac collecteur.
- Éteignez toujours votre appareil, laissez le ventilateur s'arrêter et débranchez la machine de la prise de courant lorsque :
 - vous transformez le souffleur en aspiration,
 - le câble est endommagé ou emmêlé,
 - vous laissez votre machine sans surveillance,
 - vous vérifiez, ajustez, nettoyez ou travaillez sur votre machine,
 - si l'appareil commence à vibrer anormalement.
- Ne portez pas les sorties ou entrées d'air de la machine près de vos yeux ou de vos oreilles en l'utilisant. Ne soufflez jamais les débris en direction de tierces personnes à proximité de votre zone de travail.
- Ne pas utiliser en mode aspirateur lorsque le capot de la turbine n'est pas en place.
- Ne travaillez pas sous la pluie ou avec un produit humide.
- Ne travaillez qu'en plein jour.
- Ne traversez pas les chemins ou routes couvertes de graviers alors que la machine est en marche ou lorsqu'elle est en mode soufflerie/aspiration. Marchez, ne courez jamais.
- Ne posez pas votre machine sur du gravier tant qu'elle est allumée.
- Assurez-vous de votre équilibre, ne faites pas de trop grands pas. Ne vous penchez pas trop, et restez en équilibre à tout moment.



- N'aspirez pas des produits qui peuvent être imbibés par des liquides inflammables tels que l'essence.



Attention! Utilisez toujours votre machine de la manière indiquée dans ce manuel. Votre machine est conçue pour fonctionner dans un mouvement allant du haut vers le bas.

Ne l'utilisez pas d'une autre manière, cela pourrait entraîner des accidents. Ne mettez jamais la machine en marche lorsqu'elle est couchée par terre ou sur le côté ou dans toute position impropre à travailler.

- Ne tirez pas la machine par le câble.
- Dirigez toujours le câble vers l'arrière de la machine.
- Si un câble est endommagé pendant le travail, débranchez immédiatement le câble d'alimentation du réseau électrique. **NE TOUCHEZ PAS LE CÂBLE AVANT D'AVOIR DÉBRANCHÉ LA MACHINE.**



Maintenance de la machine

- Stockez votre machine dans un endroit sec hors de portée des enfants.
- Lorsque vous nettoyez votre machine, n'utilisez pas de solvant qui pourrait endommager les pièces en plastique. Utilisez simplement un chiffon humide.
- Avant d'utiliser l'appareil et le câble d'alimentation, vérifiez soigneusement qu'ils ne sont pas endommagés. Vérifiez l'alignement des pièces en mouvement, leur prise et toute rupture de pièces, tout dommage des protections et des interrupteurs et toute autre condition pouvant affecter le fonctionnement de l'outil. Veillez à ce que l'outil fonctionne correctement et qu'il exécute les tâches pour lesquelles il est prévu. N'utilisez pas l'appareil si une pièce est endommagée ou défectueuse. N'utilisez pas l'outil si l'interrupteur marche/arrêt ne fonctionne pas.
- Faites réparer ou remplacer toute pièce endommagée par un réparateur agréé. Ne tentez jamais de la réparer vous-même.

- Si le câble d'alimentation est endommagé, il doit être remplacé par le fabricant, par un centre de réparation agréé ou autre technicien qualifié afin d'éviter tout accident. Remplacez toutes les étiquettes endommagées ou illisibles.
- Vérifiez fréquemment que le collecteur de déchets n'est ni usé ni endommagé.
- Vous pouvez vous procurer des ventilateurs de remplacement auprès d'un agent de service Black & Decker. Utilisez exclusivement des pièces de rechange et des accessoires d'origine.

Double isolation



L'outil est doublement isolé : par conséquent, aucun câble de masse n'est nécessaire. Vérifiez si la tension du secteur correspond à la tension indiquée sur la plaque d'identification.

Protégez-vous des décharges électriques.

- Utilisez un interrupteur de protection contre les courants de court-circuits à haute sensibilité (30 mA / 30 mS) pour améliorer la sécurité électrique.
- Votre appareil est conçu pour être utilisé avec une alimentation secteur AC (courant alternatif) uniquement. N'essayez pas de l'utiliser avec un autre type d'alimentation.

Rallonges

Si vous souhaitez utiliser cet appareil à l'extérieur, n'utilisez que des rallonges prévues à cet effet.

Des rallonges Black & Decker 1,5 mm HO5VVF à 3 fils de 25 m de long peuvent être utilisées sans perte de puissance.

Assemblage (Fig. B & C)

B

Utilisation en aspirateur (Fig. B)

- Le tube d'aspiration doit être mis en place avant utilisation.
- Pour faciliter le montage, appliquez une solution d'eau savonneuse à la zone du raccord.
- Alignez les encoches (15) et les triangles (14) sur les tube supérieur (4) et inférieur (5).
- Enfoncez fermement le tube inférieur (5) dans le tube supérieur (4), jusqu'à ce que le triangle soit bien en place. (Ne l'utilisez jamais seul).

C

- Pour des raisons de sécurité, la conception de l'appareil ne prévoit pas la séparation des tubes après le montage.

Assemblage des tubes de soufflage (Fig. C)

- Le tube souffleur doit être monté sur la bague de souffle avant utilisation.
- Alignez les cercles (16) de la bague (6) et le tube (7).
- Enfoncez fermement le tube (7) sur la bague (6) jusqu'à ce que les cercles s'emboîtent bien.
- Lorsque vous rangez l'appareil, vous pouvez démonter le tube souffleur de la bague en appuyant sur les cercles de chaque côté et en les faisant doucement glisser du tube.

Montage de la sangle de soutien (Fig. D - G)

- Fixez la sangle de soutien en haut du bloc moteur si nécessaire et ajustez-la à votre convenance.
Pour votre confort, la sangle d'épaule peut s'adapter de deux manières différentes:

Fixation en un point (Fig. D)

- Attachez le crochet (17) dans l'fillet (18) sur le bloc-moteur.
- Réglez la longueur de la boucle à l'aide de l'anneau.

Fixation en deux points (Fig. D, E, F & G)

- Attachez le crochet (17) dans l'fillet (18) sur le bloc-moteur.
- Extrayez l'extrémité libre de la sangle de l'anneau.
- Faites passer l'extrémité libre (19) sous la bosse (20), et enfillez-la par la boucle (21).
- Réglez la longueur de la boucle à l'aide de l'anneau (Fig. G).

Interrupteur de mise en marche (Fig. H1, H2, H3)



Attention ! Saisissez la machine fermement des deux mains lorsque vous l'allumez.

- Pour mieux contrôler votre appareil, vous disposez d'un variateur de vitesse situé sur la poignée du bloc-moteur.
- Pour éteindre l'appareil, placez l'interrupteur au centre. Position 0 (Fig. H1).

- Pour travailler à vitesse réduite, faites basculer totalement l'interrupteur vers l'arrière. Position I (Fig. H2).
- Pour passer à la vitesse supérieure, remplacez l'interrupteur en position arrêt puis tirez-le totalement vers l'avant. Position II (Fig. H3).

Blocage du câble (Fig. I)

- Un système de blocage du câble se trouve à l'arrière du bloc moteur.
- Enroulez le câble (22) autour du serre-câble (12).

Utilisation (Fig. J)

Portez toujours des lunettes de protection. Si vous êtes dans une atmosphère poussiéreuse, mettez un masque protecteur.



Eteignez l'outil, laissez le ventilateur s'arrêter et débranchez l'outil avant de faire un réglage ou une opération de réparation ou de maintenance.

Utilisation en souffleur

- Fixez la bague de souffle et le tube (6 & 7) sur le bloc-moteur (2) (Fig. J) en plaçant le souffleur comme indiqué par la flèche 23, puis faites-le pivoter autour de ce point jusqu'à ce que le verrou de blocage /déblocage (24) soit totalement engagé.
- Tenez le nez du tuyau à environ 20cm du sol, mettez en marche la machine et faites un mouvement de balancier latéral. Avancez doucement en poussant les feuilles et débris devant vous (Fig. K).
- Une fois que vous avez un tas de feuilles et débris, transformez le souffleur en aspirateur.

Utilisation en aspirateur (Fig. L - P)

D

- Pour débrancher la bague de souffle ou le tube d'aspiration du bloc-moteur, appuyez sur le bouton de déblocage (3), en vous assurant que le tube ne peut pas tomber par terre.
- Vous ne pouvez pas appuyer sur le bouton de déblocage si l'interrupteur est en position "marche".

Pour fixer le sac (Fig. M, N, O):

F

- Pour aspirer / broyer, le sac collecteur (9) doit être installé au support de sac (8).

- Fig. M: Placez le cadre du sac (25) dans la glissière du support de sac (26), en faisant en sorte que la partie avant du sac soit bien placée sur l'orifice de sortie d'aspiration (27).
- Faites glisser le sac totalement dans la glissière et appuyez sur le verrou (28) pour bloquer la poignée dans la partie supérieure du sac (Fig. N & O).
- Placer le tube légèrement au-dessus des débris/feuilles. Mettre l'appareil en marche puis en utilisant un mouvement de vas-et-vient, les débris/feuilles seront aspirés dans le tube, déchiquetées et envoyés dans le sac de recueillement (Fig. L).
- Pour les débris / feuilles résistants, le tuyau d'aspiration est équipé d'un grattoir (13). Utilisez ce grattoir pour éliminer les débris, et continuez à aspirer comme d'habitude.
- Tandis que le sac se remplit, la puissance de l'aspiration diminuera, éteindre l'appareil et le débrancher du secteur.
- Pour démonter le sac, appuyez sur le verrou (28) pour l'extraire du support de sac puis faites glisser le sac hors du support.
- Pour le vider, tenez la poignée en plastique (10) et saisissez la poignée en nylon (29) sur la partie inférieure du sac. Retournez le sac et secouez-le pour éliminer tous les déchets.

Recherche de panne

La machine ne se met pas en marche

- (1) Vérifiez le branchement électrique.
- (2) Vérifiez que le tube souffleur/d'aspiration soit correctement fixé au bloc moteur.
- (3) Si la prise est endommagée, débranchez immédiatement et consultez votre centre de service après-vente.

L'aspiration est faible/sifflement aigu

- (1) Eteignez et débranchez, des débris devraient tomber du tube.
- (2) Enlevez et videz le sac collecteur.

(3) Vérifiez que l'arrivée et la sortie du tube ne soient pas obstruées.

(4) Si le problème subsiste, débranchez et consultez votre centre de service après-vente.

Le broyage est faible

(1) Éteignez, débranchez et enlevez le sac collecteur.

(2) Enlevez le tube d'aspiration et inspectez la turbine.

(3) Nettoyez les débris sur les lames de la turbine.

(4) Si la turbine est endommagée, consultez votre centre de service après-vente.

Maintenance de la machine

- Nettoyez régulièrement votre machine.
- Enlevez toutes les feuilles bloquées à l'intérieur du tube d'aspiration.
- Nettoyez les pièces en plastique à l'aide d'un savon doux et d'un chiffon humide (eau chaude).



N'utilisez pas de solvant, ni détergent qui pourraient endommager les pièces en plastique.

- Les lames sont auto-lubrifiantes donc aucune lubrification n'est nécessaire.

Protection de l'environnement



Black & Decker fournit un dispositif permettant de recycler les produits Black & Decker lorsqu'ils ont atteint la fin de leur cycle de vie. Ce service est gratuit. Pour pouvoir profiter de ce service, veuillez retourner votre produit à un réparateur agréé qui se chargera de le collecter pour nous.

Pour connaître l'adresse du réparateur agréé le plus proche de chez vous, contactez le bureau Black & Decker à l'adresse indiquée dans ce manuel. Vous pourrez aussi trouver une liste des réparateurs agréés de Black & Decker et de plus amples détails sur notre service après-vente sur le site Internet à l'adresse suivante : www.2helpU.com.

Déclaration de conformité CE

GW350/370

Black & Decker déclare que ces produits sont conformes à :

98/37/CEE, 89/336/CEE, 73/23/CEE,
EN 55014, EN 55104, EN 60335,

2000/14/CEE, souffleur / aspirateur
= 11 m³/min, Annex V

Niveau de pression acoustique, mesuré suivant
la norme 2000/14/CEE:

L _{pA}	(pression acoustique)	dB(A)	92
L _{WA}	(puissance acoustique)	dB(A)	105
L _{WA}	(garanti)	dB(A)	107

Niveau de vibration main/bras selon la norme
EN ISO 5329: < 2,5 m/s²

Kevin Hewitt

Directeur Ingénierie Client
Spennymoor, County Durham DL16 6JG,
Royaume-Uni

01-06-2003 (Date de première fabrication)
N° de demande de brevet UK :
0229517.8; 0300442.1; 0302170.6

Dessin pour demande de brevet UK n° : 3 010 507
Brevet européen n° : 0 723 758 B1; 0 723 759 B1
Brevet US n° : 5 673 457; 5 604 954

Garantie

Black & Decker est confiant dans la qualité de ses produits et vous offre une garantie très étendue. Ce certificat de garantie est un document supplémentaire et ne peut en aucun cas se substituer à vos droits légaux. La garantie est valable sur tout le territoire des Etats Membres de l'Union Européenne et de la Zone de Libre Echange Européenne.

Si un produit Black & Decker s'avère défectueux en raison de matériaux en mauvaises conditions, d'une erreur humaine, ou d'un manque de conformité dans les 24 mois suivant la date d'achat, Black & Decker garantit le remplacement des pièces défectueuses, la réparation des produits usés ou cassés ou remplace ces produits à la convenance du client, sauf dans les circonstances suivantes :

- Le produit a été utilisé dans un but commercial, professionnel, ou a été loué.
- Le produit a été mal utilisé ou avec négligence.
- Le produit a subi des dommages à cause d'objets étrangers, de substances ou à cause d'accidents.

- Des réparations ont été tentées par des techniciens ne faisant pas partie du service technique de Black & Decker.

Pour avoir recours à la garantie, il est nécessaire de fournir une preuve d'achat au vendeur ou à un réparateur agréé. Pour connaître l'adresse du réparateur agréé le plus proche de chez vous, contactez le bureau Black & Decker à l'adresse indiquée dans ce manuel. Vous pourrez aussi trouver une liste des réparateurs agréés de Black & Decker et de plus amples détails sur notre service après-vente sur le site Internet à l'adresse suivante : www.2helpU.com.

Autres outils de jardinage

Black & Decker propose une gamme complète d'outils de jardinage facilitant l'entretien du jardin. Si vous souhaitez obtenir de plus amples renseignements sur les produits suivants, veuillez contacter notre Centre de Service et d'Information (voir la page d'adresse à la fin de ce manuel) ou vous adresser à votre revendeur Black & Decker le plus proche.

Tronçonneuses

Cisaille à gazon sans fil

Coupes bordures

Tailles-haies à fil ou sans fil

Tondeuses

Aspirateur / souffleur / broyeur

Broyeurs

Aérateur Démousseur

Tous les produits ne sont pas disponibles dans tous les pays.

Gefeliciteerd!

Gefeliciteerd met de aankoop van de Black & Decker bladzuiger/bladblazer, welke garant staat voor het probleemloos opruimen van bladeren.

GW350 & GW370 - Blower Vac

Opzuigen met twee snelheden ✓ Versnipperen ✓
Blazen met twee snelheden ✓

Voor optimaal gebruiksgemak is de machine voorzien van:

- Een krachtige motor voor een max. blaascapaciteit en een zuig-/versnippercapaciteit.
- Een unieke 5-bladswaaier voor het versnipperen van bladeren in de verhouding 10:1.
- Twee-snelheden schakelaar voor maximaal gebruiksgemak.
- Ergonomisch ontwerp voor optimaal comfort en gebruiksgemak.
- Een ruime zuigopening voor snelle opname van bladeren.
- Makkelijk te legen opvangzak met een inhoud van 35 liter.

Beschrijving (Fig. A)

A In dit handboek en de bijbehorende illustraties wordt verwezen naar de volgende machine-onderdelen:

1. Twee snelheden aan/uit schakelaar
2. Opzuig-/blaaskop
3. Knop voor verwijderen van neus
4. Opzuigbuis - boven
5. Opzuigbuis - onder
6. Behuizing
7. Blaasbuis
8. Bovenkant van de opvangzak
9. Opvangzak
10. Handgreep van de opvangzak
11. Draagriem
12. Netsnoerklem
13. Schrapper

Ken uw machine

i Lees dit handboek aandachtig door en neem vóór, tijdens en na het gebruik van de machine alle aanbevolen veiligheids-voorschriften in acht. Onderhoud de machine met zorg.

Maak uzelf vertrouwd met de bedieningsinstrumenten alvorens de machine te gebruiken. Zorg er in de eerste plaats voor dat u weet hoe de machine in geval van nood moet worden gestopt.

Bewaar deze handleiding en alle andere instructies zorgvuldig.

Veiligheidsinstructies

Training

- Laat de machine nooit gebruiken door personen die de leeftijd van 16 jaar nog niet bereikt hebben of die deze handleiding niet hebben gelezen. U bent verantwoordelijk indien er zich een ongeval voordoet.
- Degene die de machine bedient is te allen tijde verantwoordelijk voor ongelukken en eventueel gevaar dat andere mensen en hun eigendommen kunnen oplopen.



- Laat kinderen, andere personen of dieren niet toe in de werkomgeving wanneer u de machine gebruikt; de minimum afstand tot de werkende machine is 6m.
- Draag de machine nooit aan het snoer en trek niet aan het snoer. Houd het snoer uit de buurt van warmtebronnen, olie en scherpe randen. Controleer het snoer regelmatig en vervang het in geval van beschadiging.

Vorbereiding

- Bedien de machine nooit blootsvoets of wanneer u open sandalen draagt.
- Draag altijd stevige schoenen of laarzen en een lange broek om uw voeten en benen te beschermen – pas gemaaid gras is vochtig en glad. Rubberen of handgemaakte schoenen zullen uw veiligheid verhogen.
- Draag beschermende kleding. Draag tijdens het werken met de machine in blaasstand een veiligheidsbril ter bescherming van uw ogen.
- Om irritatie door stof te voorkomen, wordt het dragen van een geschikt gezichtsmasker aanbevolen.



- Neem voorzorgsmaatregelen voor gehoorbescherming wanneer de geluidsdruk tijdens het werken onaangenaam hoog is.



Waarschuwing! Lang haar moet met een elastiekje of speldjes boven de schouders worden gehouden. Losvallende kleding, stropdassen, sierraden en loshangende riemen uit de buurt van de openingen en bewegende onderdelen houden.

- Controleer het snoer regelmatig en vervang het in geval van beschadiging of zichtbare veroudering.
- Controleer de machine vóór gebruik zorgvuldig op beschadigingen om er zeker van te zijn dat deze naar behoren zal functioneren.
- Gebruik de machine nooit wanneer één van de onderdelen defect of versleten is.
- Zuig geen brandende materialen zoals sigarettenpeuken op.
- Gebruik de bladzuiger/bladblazer nooit in een omgeving waar gassen aanwezig zijn of explosiegevaar bestaat. De motor produceert bij normaal gebruik namelijk vonken.

Bediening

- Gebruik de machine nooit in de opzuigstand wanneer de opzuigbuizen en de opvangzak niet gemonteerd zijn.

Schakel het apparaat altijd uit, laat de ventilator tot stilstand komen en haal de stekker uit het stopcontact als:

- U van de opzuig- naar de blaasstand gaat.
- Het snoer beschadigd of verstrikt is.
- U het apparaat onbeheerd achterlaat.
- U een obstakel uit de weg gaat ruimen.
- U een controle uit gaat voeren, de machine wilt reinigen of herstellen.
- Indien het apparaat abnormaal begint te trillen.
- Zorg dat de opzuiging en blaasuitgang van de machine tijdens het werken niet vlak bij uw ogen of oren komen. Blaas afval nooit in de richting van omstanders.
- Gebruik uw machine niet in de regen en laat de machine niet nat worden. Gebruik de machine niet op nat gras.
- Gebruik uw machine uitsluitend bij daglicht of bij voldoende kunstverlichting.



- Steek geen grindpaden of wegen over als de machine in de blaas/zuigstand aanstaat. Wandel, ren nooit.
- Zet het apparaat niet op grind neer wanneer deze ingeschakeld is.
- Zorg altijd voor een juiste, stabiele houding, vooral op hellingen. Reik niet te ver en zorg altijd voor een stabiele houding.
- Zuig nooit materialen op die vervuild kunnen zijn met ontvlambare of brandbare vloeistoffen, zoals benzine en gebruik de machine nooit in omgevingen waar deze stoffen aanwezig kunnen zijn.
- Plaats geen voorwerpen in de openingen van de machine. Gebruik de machine nooit wanneer de openingen geblokkeerd zijn. Houd de openingen vrij van haar, lint, stof en andere voorwerpen die de luchtstroom kunnen belemmeren.



Waarschuwing! Gebruik de machine steeds in overeenstemming met de aanwijzingen in deze handleiding. Uw machine is bedoeld om in staande positie te worden gebruikt. Gebruik in een andere positie kan tot ongelukken leiden. Schakel de machine dus nooit in wanneer deze op zijn kant of ondersteboven ligt.

- Draag het apparaat niet aan het snoer.
- Richt het snoer altijd naar achteren, van het apparaat af.
- Indien een snoer tijdens gebruik beschadigd raakt, verwijdert u het netsnoer onmiddellijk uit het stopcontact. **RAAK HET SNOER NIET AAN, VOORDAT DE STROOM IS UITGESCHAKELD.**



Onderhoud en opslag

- Berg niet in gebruik zijnde elektrische machines op in een droge, afgesloten ruimte, buiten het bereik van kinderen.
- Gebruik geen oplos- of reinigingsmiddelen om uw machine te reinigen. Gebruik een botte schraper om gras en vuil te verwijderen.

- Controleer het apparaat en het netsnoer voor gebruik nauwkeurig op schade. Controleer of alle bewegende delen correct gemonteerd zijn, of er geen onderdelen gebroken zijn, of er geen beschermkappen en schakelaars beschadigd zijn en of er andere gebreken zijn die invloed op de werking van de machine zouden kunnen hebben. Vergewis u er van dat de machine correct werkt. Gebruik het apparaat niet als enig onderdeel beschadigd of defect is. Gebruik de machine niet als de aan/uit-schakelaar niet werkt.
- Defecte onderdelen dienen door een erkend servicecentrum te worden gerepareerd of vervangen. Probeer nooit om de machine zelf te repareren.
- Indien het netsnoer is beschadigd, dient het ter voorkoming van gevaren te worden vervangen door de fabrikant, een erkend servicecentrum, of een soortgelijk bevoegd persoon. Vervang beschadigde of onleesbare labels.
- Controleer regelmatig de opvangzak op slijtage of veroudering.
- Nieuwe ventilators zijn via het Black & Decker servicecentrum verkrijgbaar. Gebruik uitsluitend originele reserveonderdelen en accessoires.

Dubbele isolatie



Deze machine is dubbel geïsoleerd; een aardaansluiting is daarom niet noodzakelijk. Controleer altijd of uw netspanning overeenkomt met de waarde op het typeplaatje.

Bescherming tegen elektrische schok.

- Elektrische veiligheid kan verder worden verbeterd met behulp van een hooggevoelige (30 mA / 30 mS) reststroomschakelaar (RCD).
- Uw apparaat is uitsluitend bedoeld voor wisselspanningsvoeding (lichtnet). Probeer nooit om het op enige andere stroomvoorziening aan te sluiten.

Verlengsnoeren

Maak bij gebruik buitenshuis uitsluitend gebruik van verlengsnoeren die geschikt zijn voor gebruik buitenshuis.

Een Black & Decker HO5VVF 3-aderig verlengsnoer met een lengte tot 25 m kan worden gebruikt zonder verlies van vermogen.

Montage alvorens de machine in gebruik te nemen (Fig. B & C)

Montage van de opzuigbuis (Fig. B)

B

- Monteer beide opzuigbuizen tesamen vóór gebruik.
- De montage verloopt gemakkelijker als u wat zeepsop op het verbingsgebied aanbrengt.
- Breng de inkepingen (15) en de driehoeken (14) op de bovenste (4) en de onderste (5) buis in lijn.
- Duw de onderste buis (5) stevig in de bovenste buis (4), totdat de driehoeken vastklikken. (Nooit afzonderlijk gebruiken).
- Deze onderdelen mogen om veiligheidsredenen niet na de montage opnieuw uit elkaar worden gehaald.

C

Montage van de blaasbuis (Fig. C)

- De blaasbuis moet voor gebruik aan de behuizing worden gemonteerd.
- Breng de cirkels (16) op de behuizing (6) en de buis (7) in lijn.
- Duw de buis (7) stevig op de behuizing (6) totdat de cirkels vastklikken.
- Voor opslag kan de blaasbuis van de blaasbehuizing worden losgemaakt door de cirkels aan beide zijden in te drukken en de buis voorzichtig af te schuiven.

Montage van de draagriem (Fig. D - G)

- Bevestig de draagriem indien gewenst aan de opzuig-/blaaskop en pas de lengte aan aan de gebruiker.
- De schouderriem is ontworpen om op twee manieren te worden bevestigd, ter verhoging van het bedieningsgemak.

Bevestiging aan één punt (Fig. D)

- Klik de haak (17) door het oog (18) op de opzuig-/blaaskop.
- Pas de lengte van de lus aan met behulp van de gesp.

Bevestiging aan twee punten (Fig. D, E, F & G)

- Klik de haak (17) door het oog (18) op de opzuig-/blaaskop.
- Verwijder het losse eind van de riem uit de gesp.
- Voer het losse eind (19) onder de bus (20) door, en rijg het terug door de gesp (21).
- Pas de lengte van de lus aan met behulp van de gesp (Fig. G).

Aan/uit-schakelaar (Fig. H1, H2, H3)



Waarschuwing! Gebruik beide handen om het apparaat stevig vast te pakken bij het inschakelen.

- Voor extra controle is uw Blowvac voorzien van een twee-snelheden schakelaar op de hendel van de opzuig-/blaaskop.
- In de middelste stand is de schakelaar uitgeschakeld. Positie 0 (Fig. H1).
- Voor gebruik op lage snelheid beweegt u de schakelaar volledig naar achteren. Positie I (Fig. H2).
- Voor gebruik op hoge snelheid duwt u de schakelaar terug naar de middelste stand en dan volledig naar voren. Positie II (Fig. H3).

Snoerclip (Fig. I)

- Een snoerclip is achter in de opzuig-/blaaskop ingebouwd.
- Haal het snoer (22) door de trekontlasting (12).

Gebruik van de machine (Fig. J)

Draag steeds een veiligheidsbril wanneer u de machine in de blaas- of opzuigstand gebruikt. Draag ook een gezichts- of stofmasker indien de werkomgeving stoffig is.



Schakel het apparaat uit, laat de ventilator tot stilstand komen en haal de stekker uit het stopcontact alvorens instellings-, reparatie- of onderhoudswerkzaamheden uit te voeren.

Blaasstand

- Bevestig de blaasbehuizing en de buis (6 & 7) aan de opzuig-/blaaskop (2) (Fig. J). Plaats de ventilator zoals aangegeven door pijl 23, en draai deze vervolgens omhoog totdat de vergrendeling (24) volledig vastklikt.
- Houd de blaasbuis ongeveer 20cm boven de grond. Schakel de machine in en loop rustig van links naar rechts zwaaiend vooruit. Houd het opgehoopte afval- of bladermateriaal daarbij voor u (Fig. K).
- Zodra het afval- of bladermateriaal bijeen geblazen is, kunt u de machine in de opzuigstand zetten om het afval op te zuigen.

Verwijderen van de blaas-/opzuigpijp (Fig. J)

J

- Om de blaasbehuizing of de opzuigbuis van de opzuig-/blaaskop te verwijderen drukt u de ontgrendelingsknop (3) in, terwijl u er voor zorgt dat de buis niet op de grond valt.
- De ontgrendelingsknop kan niet worden ingedrukt als de schakelaar in de "aan" stand staat.

Opzuigstand (Fig. L - P)

Bevestig de opvangzak als volgt (Fig. M, N, O):

- Voor het opzuigen/versnipperen van bladeren moet de opvangzak (9) aan de zakhouder (8) worden bevestigd.
- Fig. M: Plaats de rand van de zak (25) in de groef van de zakhouder (26), terwijl u er voor zorgt dat de voorzijde van de zak over de zuigopening (27) valt.
- Schuif de zak volledig in de groef en druk de vergrendeling (28) in om de hendel in de bovenkant van de zakhouder vast te klikken (Fig. N & O).
- Houd de buis enigzins boven de bladeren/takjes. Zet de bladruimer aan en maak een zwaaiende beweging. De bladeren/takjes worden vervolgens de buis ingezogen, versnipperd en in de opvangzak gegooid (Fig. L).
- Voor hardnekkig afval/bladeren is de opzuigbuis voorzien van een schraper (13). Gebruik deze schraper om het afval los te maken en dan op de normale wijze op te zuigen.
- Naarmate de opvangzak wordt gevuld, neemt de zuigkracht af. Zet de bladruimer uit en haal de stekker uit het stopcontact.
- Om de zak te verwijderen drukt u de vergrendeling (28) in om de zak los te maken, en schuift u de zak uit de zakhouder.
- Om de zak leeg te maken houdt u de plastic handgreep (10) vast en grijpt u de nylon lus (29) aan de onderkant van de zak. Draai de zak ondersteboven en schud het afval en de bladeren eruit.

Opzoeken van storingen



Schakel de machine uit en haal de stekker uit het stopcontact alvorens onderhoudswerkzaamheden uit te voeren.

Machine werkt niet

- (1) Controleer de netspanning.
- (2) Controleer de zekering en vervang deze indien nodig.
- (3) Controleer of de blaas-/opzuigbuis op de juiste wijze gemonteerd is.
- (4) Indien de zekering bij herhaling springt, haal dan onmiddellijk de stekker uit het stopcontact en neem contact op met uw dealer of servicedienst.

Machine werkt niet

- (1) Schakel de machine uit en haal de stekker uit het stopcontact. Het afval valt dan uit de buis.
- (2) Verwijder en ledig de opvangzak.
- (3) Controleer of de in- en uitgangsoopeningen van de buis vrij zijn.
- (4) Verwijder al het afval in en rondom de waaier.
- (5) Indien de opzuigkracht zwak blijft, haal dan onmiddellijk de stekker uit het stopcontact en neem dan contact op met uw dealer of servicedienst.

Zwakke opzuigkracht/ hoog, schel geluid

- (1) Schakel de machine uit en haal de stekker uit het stopcontact. Het afval valt dan uit de buis.
- (2) Verwijder en ledig de opvangzak.
- (3) Controleer of de in- en uitgangsoopeningen van de buis vrij zijn.
- (4) Verwijder al het afval in en rondom de waaier.
- (5) Indien de opzuigkracht zwak blijft, haal dan onmiddellijk de stekker uit het stopcontact en neem dan contact op met uw dealer of servicedienst.

Slechte resultaten bij versnipperen

- (1) Schakel de machine uit, haal de stekker uit het stopcontact en verwijder de opvangzak.
- (2) Verwijder de opzuigbuis en controleer de waaier.
- (3) Verwijder al het afval dat op de waaiermesses ligt.
- (4) Indien de waaier gebarsten of beschadigd is, gelieve deze niet langer te gebruiken en contact op te nemen met uw dealer of servicedienst.

Reiniging van uw machine



Houd uw machine droog. In geen geval spuiten met water.

- Reinig uw machine regelmatig.
- Verwijder de bladeren die aan de binnenzijde van de opzuigbuis vastzitten.

- De kunststof onderdelen mogen met een mild reinigingsproduct en een met warm water bevochtigde doek gereinigd worden.
- Gebruik geen reinigingsmiddelen op basis van chemicaliën, deze zouden de kunststof delen kunnen beschadigen.



Uw machine heeft zelfsmurende lagers, smeren is niet noodzakelijk.

Milieu



Black & Decker biedt de mogelijkheid tot recyclen van afgedankte Black & Decker producten. Deze service is kosteloos. Om gebruik van deze service te maken, dient u het product aan een van onze servicecentra te sturen, die voor ons de inzameling verzorgen.

U kunt het adres van het dichtstbijzijnde servicecentrum opvragen via de adressen op de achterzijde van deze handleiding. U kunt ook een lijst van onze servicecentra en meer informatie m.b.t. onze klantenservice vinden op het volgende Internet-adres: www.2helpU.com.

EG-verklaring van overeenstemming

GW350/370

Black & Decker verklaart dat deze machines in overeenstemming zijn met:

98/37/EEG, 89/336/EEG, 73/23/EEG,
EN 55014, EN 55104, EN 60335,

2000/14/EEG, bladblazer/-zuiger = 11 m³/min,
Annex V

Niveau van de geluidsdruk, gemeten volgens
2000/14/EEG:

L _{PA} (geluidsdruk)	dB(A)	92
L _{WA} (geluidsvermogen)	dB(A)	105
L _{WA} (gegarandeerd)	dB(A)	107

Gewogen kwadratische gemiddelde waarde van de versnelling overeenkomstig
EN ISO 5329: < < 2,5 m/s²

Kevin Hewitt

Director of Consumer Engineering
Spennymoor, County Durham DL16 6JG,
United Kingdom

01-06-2003 (Datum van eerste fabricage)

Patentnrs voor GB: 0229517.8; 0300442.1; 0302170.6

Ontwerpnr voor GB: 3 010 507

Patentnrs voor Europa: 0 723 758 B1; 0 723 759 B1

Patentnrs voor VS: 5 673 457; 5 604 954

Garantie

Black & Decker heeft vertrouwen in zijn producten en biedt een uitstekende garantie.

Deze garantiebepalingen vormen een aanvulling op uw wettelijke rechten en beperken deze niet.

De garantie geldt in de lidstaten van de Europese Unie en de Europese Vrijhandelsassociatie.

Mocht uw Black & Decker product binnen 24 maanden na datum van aankoop defect raken tengevolge van materiaal- of constructiefouten, dan garanderen wij de kosteloze vervanging van defecte onderdelen, de reparatie van het product of de vervanging van het product, tenzij:

- Het product is gebruikt voor handelsdoeleinden, professionele toepassingen of verhuurdoeleinden;
- Het product onoordeelkundig is gebruikt;
- Het product is beschadigd door invloeden van buitenaf of door een ongeval;
- Reparaties zijn uitgevoerd door anderen dan onze servicecentra of Black & Decker personeel.

Om een beroep op de garantie te doen, dient u een aankoopbewijs te overhandigen aan de verkoper of een van onze servicecentra. U kunt het adres van het dichtstbijzijnde servicecentrum opvragen via de adressen op de achterzijde van deze handleiding. U kunt ook een lijst van onze servicecentra en meer informatie m.b.t. onze klantenservice vinden op het volgende Internet-adres: **www.2helpU.com**.

Andere machines voor gebruik in de tuin

Black & Decker heeft een compleet assortiment machines die het leven in de tuin vereenvoudigen.

Als u meer informatie over de volgende producten wenst, neemt u dan contact op met ons Service- en Informatiecentrum (zie de adrespagina aan het eind van deze handleiding) of uw plaatselijke Black & Decker dealer.

Strimmers
Kettingzagen
Heggenscharen
Grasmaaiers
Verticuteerders
Bladruimers
Hakselaars

Niet ieder product is verkrijgbaar in alle landen.

Enhorabuena

Por haber adquirido su aspirador/soplador de Black & Decker, que le asegura un funcionamiento sin problemas para la recogida de hojas.

GW350 & GW370 -Blower Vac

Aspirador de 2 velocidades ✓ Triturador ✓
Soplador de 2 velocidades ✓

Esta máquina tiene muchas características que le serán de gran utilidad, como:

- Potente motor que sopla el aire, aspira las hojas y las tritura.
- Exclusivo ventilador de 5 aspas que tritura las hojas a una décima parte, en pequeños trozos.
- Interruptor de 2 velocidades para una máxima comodidad.
- Diseño ergonómico que permite una mayor facilidad de uso.
- Tubo de aspiración ancho para maximizar la entrada de hojas.
- Bolsa colectora de fácil vaciado de 35 litros.

Descripción (Fig. A)

A A continuación se incluye una lista de las piezas que se mencionarán en este Manual de Instrucciones, con los números que aparecen en los diagramas:

1. Interruptor de encendido/apagado de dos velocidades
2. Motor
3. Botón de liberación
4. Tubo de aspiración - superior
5. Tubo de aspiración - inferior
6. Base de soplado
7. Tubo de soplado
8. Parte superior de la bolsa
9. Bolsa colectora
10. Mango de la bolsa colectora
11. Correa de transporte
12. Gancho para el cable
13. Rascador

Conozca su máquina



Lea este manual con atención y observe todas las normas de seguridad recomendadas antes, durante y después de usar el aspirador. Mantenga su máquina en perfecto estado de trabajo.

Instrucciones de seguridad

Formación

- No deje que usen la máquina niños menores de 16 años u otras personas que no hayan leído este manual de instrucciones. Si se produjera algún accidente, el responsable es usted.
- Recuerde que el operador o usuario es el responsable de los accidentes o riesgos que corran otras personas o sus propiedades.



- No use la máquina cerca de los niños, otras personas o animales. Procure que estén, como mínimo, a seis metros de su zona de trabajo.
- No lleve nunca su máquina tirando del cable ni tire de él para desenchufarlo. Mantenga el cable alejado de las fuentes de calor, aceite, grasa o filos cortantes. Antes de usar la máquina compruebe el estado del cable y no la use si no está en perfecto estado.

Preparación

- No use su máquina descalzo o con sandalias.
- Para proteger los pies y las piernas, lleve siempre zapatos resistentes o botas y pantalones largos – el césped recién cortado está húmedo y resbaladizo. El calzado de fibra artificial o caucho incrementará su seguridad.
- Use equipo protector. Procure llevar, siempre que use su máquina, gafas o anteojos de seguridad, cuando la máquina esté en posición de soplado.
- Para evitar irritaciones como consecuencia del polvo se recomienda utilizar una mascarilla adecuada.
- Si el nivel sonoro de su máquina le resulta incómodo, póngase protectores para los oídos.





¡Peligro! Cuide que el pelo largo no le caiga más abajo de los hombros. Ropa suelta, corbatas, borlas y correas sueltas no deben aproximarse a orificios ni a partes móviles.

- Inspeccione periódicamente el cable por si presenta síntomas de daños o desgaste y no lo use si no está en perfecto estado.
- Antes de usar su máquina compruebe siempre si está en perfecto estado y todas las piezas están bien sujetas.
- No use su máquina si tiene alguna pieza defectuosa o gastada.
- No aspire con su máquina brasas ni colillas encendidas.
- No use la máquina en atmósferas con gases explosivos o inflamables, pues su motor produce chispas que pueden inflamarnos.

Funcionamiento

- No use el aspirador ni el soplador sin tener bien colocados los tubos y la bolsa de recogida.

Apague siempre el producto, espere a que el ventilador se detenga y desenchufe cuando:

- Cambie de soplado a aspiración.
- El cable esté dañado o enredado.
- Deje el aparato desatendido.
- Vaya a limpiar algún estorbo.
- Vaya a comprobarla, ajustarla, limpiarla o revisarla.
- Si el aparato empieza a vibrar de un modo anormal.

- Cuando funcione la máquina, no ponga los tubos de entrada o salida cerca de los ojos u oídos. Nunca sople residuos en la dirección de personas cercanas.



- No use su máquina bajo la lluvia ni deje que se moje. Evite usar la máquina con el césped húmedo.
- Use su máquina sólo a la luz del día o con buena luz artificial.
- No atraviese senderos de gravilla ni carreteras con el artefacto encendido la máquina encendida en función de soplado/succión. Camine, nunca corra.
- No coloque el aparato sobre la grava mientras esté encendido.
- Procure mantenerse siempre en equilibrio sobre sus pies, sobre todo en las cuestas. No intente alargar demasiado y procure conservar el equilibrio en todo momento.

- No aspire con su máquina materias que puedan contener líquidos inflamables o combustibles como gasolina ni la use en las zonas en que pueda haber estas materias.
- No coloque objetos en las aberturas de la máquina. No use la máquina si las aberturas están bloqueadas. Limpie los pelos, pelusa, polvo o cualquier otro objeto que obstruya el paso del aire.



¡Peligro! Use siempre su máquina como se indica en este manual. Está diseñada para utilizarla en posición recta. Si la usa en otra posición, puede sufrir accidentes. No use nunca la máquina boca abajo o de lado.

- No lleve el aparato tirando del cable.
- Mantenga siempre el cable hacia atrás, alejado del aparato.
- Si un cable resulta dañado durante el uso, desconecte el cable de la red eléctrica inmediatamente. **NO TOQUE EL CABLE ANTES DE DESCONECTAR LA CORRIENTE.**



Mantenimiento y almacenamiento

- Guarde su máquina cuando no la use en un lugar seco, fuera del alcance de los niños.
- No use disolventes ni líquidos limpiadores para limpiar su máquina. Quite los restos de césped y la suciedad con una espátula poco afilada.
- Antes de usarlo, compruebe detenidamente que el aparato y el cable de no presenten desperfectos. Compruebe la posible existencia de piezas móviles mal alineadas o atascadas, la rotura de piezas, el posible daño de protectores e interruptores y cualquier otro aspecto que pueda afectar a su funcionamiento. Asegúrese de que el aparato puede funcionar adecuadamente y cumplir con el cometido para el que ha sido diseñado. No utilice el aparato si hay alguna pieza dañada o defectuosa. No utilice el aparato si no es posible apagar y encender el interruptor.

- Encargue al servicio técnico autorizado que repare o sustituya las piezas defectuosas o averiadas. Jamás intente repararla usted mismo.
- Si el cable está estropeado, debe ser sustituido por el fabricante o su servicio técnico o una persona igualmente cualificada, con el fin de evitar accidentes. Sustituya las etiquetas deterioradas o ilegibles.
- Examine con frecuencia el colector de residuos por si presentara desgaste o deterioro.
- Con un representante autorizado de Black & Decker se puede obtener ventiladores de repuesto. Utilice únicamente accesorios y piezas de repuesto originales.

- Por razones de seguridad, no se debe separar los tubos una vez que se hayan armado.

Ensamblaje del tubo de soplado (Fig. C)

- Antes de usarlo, se debe montar el tubo de soplado en la base.
- Alinee los círculos (16) de la base (6) y el tubo (7).
- Empuje el tubo (7) firmemente dentro de la base (6) hasta que los círculos encajen en su sitio con un clic.
- Para su almacenaje, el tubo de soplado se puede separar de la base oprimiendo los círculos a ambos lados y deslizando el tubo suavemente hacia fuera.

Montaje de la hombrera (Fig. D - G)

- Si quiere usar la cinta para transportar su máquina, engánchela en el motor y ajústela a su medida.

Para su comodidad, la correa del hombro se ha diseñado para colocarse de dos maneras:

Sujeción de un solo punto (Fig. D)

- Sujete el gancho (17) a través del orificio (18) al motor.
- Ajuste la longitud del lazo con la hebilla.

Sujeción de dos puntos (Fig. D, E, F y G)

- Sujete el gancho (17) a través del orificio (18) al motor.
- Saque de la hebilla el extremo suelto de la correa.
- Pase el extremo suelto (19) por debajo del reborde (20) y vuelva a pasarlo por la hebilla (21).
- Ajuste la longitud del lazo con la hebilla (Fig. G).

Doble aislamiento



La herramienta lleva un doble aislamiento; por lo tanto no requiere una toma a tierra. Compruebe siempre que la tensión de la red corresponda con el valor indicado en la placa de datos de la herramienta.

Protéjase contra la electrocución.

- Se puede incrementar la seguridad eléctrica utilizando disyuntores de alta sensibilidad (30 mA / 30 mS) para detectar corrientes de fuga.
- Este aparato está diseñado únicamente para alimentación de corriente alterna. No intente enchufarlo a ninguna otra corriente.

Extensiones

Cuando use el aparato al aire libre, utilice exclusivamente extensiones diseñadas para ello.

Puede utilizarse una extensión Black & Decker trifilar HO5VVf de 1,5 mm de hasta 25 m sin pérdida de potencia.

Montaje de la máquina antes de usarla (Fig. B & C)

Montaje del tubo de aspiración (Fig. B)

B

- El tubo de aspiración se debe ensamblar antes de montarlo.
- Para poder armar la máquina con mayor facilidad, ponga una solución de agua con jabón en el área de las juntas.
- Alinee las muescas (15) y los triángulos (14) de los tubos superior (4) e inferior (5).
- Empuje el tubo inferior (5) firmemente dentro del tubo superior (4), hasta que los triángulos encajen en su sitio con un clic. (Nunca intente que funcione con las piezas separadas).



¡Atención! Utilice ambas manos para agarrar firmemente el producto al encenderlo.

- Para un control adicional, su aspirador/soplador lleva un interruptor de dos velocidades ubicado en el mango del motor.
- El interruptor tiene una posición central de apagado. Posición 0 (Fig. H1).
- Para usarlo a la velocidad baja, mueva el interruptor totalmente hacia atrás. Posición I (Fig. H2).
- Para cambiar a la velocidad alta, empuje el interruptor hacia atrás a la posición de apagado y luego totalmente hacia delante. Posición II (Fig. H3).

Gancho para el cable (Fig. I)

- En la parte posterior del motor hay un gancho para el cable.
- Enlace el cable (22) a través del gancho (12).

Uso de su máquina (Fig. J)

Cuando use su máquina como soplador o como aspirador, lleve siempre gafas de seguridad. Si prevé que se va a producir polvo, póngase una mascarilla.



Apague el producto, espere a que el ventilador se detenga y desenchufe antes de proceder a cualquier operación de ajuste, reparación o mantenimiento.

Soplador

- Acople la base de soplado y el tubo (6 y 7) al motor (2) (Fig. J) colocando el soplador como indica la flecha 23, luego hágalo girar a un lado y a otro hasta que el enganche (24) encaje totalmente.
- Mantenga el tubo a unos 20cm del suelo, ponga en marcha la máquina y, moviéndola suavemente de un lado a otro, vaya empujando las hojas delante de usted en línea recta (Fig. K).
- Cuando tenga las hojas o restos del jardín en un montón, pase del modo de soplador al de aspirador para recogerlas.

Desmontaje del tubo soplador/ de aspiración (Fig. J)

- Para desconectar la base de soplado o el tubo de aspiración del motor, oprima el botón de liberación (3), asegurándose de que el tubo no caiga al suelo.
- No podrá oprimir el botón de liberación si el interruptor está en la posición de encendido.

Aspirador (Fig. L - P)

Para montar la bolsa en la máquina (Fig. M, N, O):

- Para aspirar/triturar, la bolsa colectora (9) debe estar acoplada al acoplador de la bolsa (8).
- Fig. M: Coloque el borde de la bolsa (25) en la hendidura del acoplador de la bolsa (26) asegurándose de que la parte delantera de la bolsa quede sobre la salida de aspiración (27).

- Deslice la bolsa totalmente en la hendidura y oprima el cierre (28) para sujetar el acoplador a la parte superior de la bolsa (Fig. N y O).
- Ponga el tubo un poco por encima de los desechos/hojas. Encienda la máquina, y luego con un movimiento de barrido, el tubo recogerá los desechos/hojas aspirándolos, éstos se trituran y se echan a la bolsa recogedora (Fig. L).
- El tubo de aspiración lleva un rascador (13) incorporado para los residuos/las hojas resistentes. Use este rascador para liberar los residuos y seguir aspirando normalmente
- Para quitar la bolsa, oprima el cierre (28) liberando el acoplador de la bolsa y deslícela hacia fuera.
- Para vaciarla, sujete el mango de plástico (10) y el mango de nylon (29) de la parte inferior de la bolsa. Coloque la bolsa boca abajo y sacuda los residuos y las hojas.

Localización de averías

Si la máquina no funciona

- (1) Compruebe si está bien enchufada.
- (2) Compruebe si el tubo de soplado o de aspiración está bien montado en el motor.
- (3) Si pone la máquina en marcha y se funde el enchufe, desenchúfela inmediatamente de la corriente y consulte a su proveedor/centro de servicio.

La máquina aspira poco/silbido agudo

- (1) Apague la máquina y desenchúfela de la corriente. Los restos que haya en el tubo se caerán.
- (2) Quite la bolsa de recogida y vacíela.
- (3) Compruebe si las bocas de entrada y salida del tubo están limpias.
- (4) Quite los restos que se hayan acumulado en el ventilador.

La máquina aspira poco/silbido agudo

- (4) Quite los restos que se hayan acumulado en el ventilador.

(5) Si la máquina sigue aspirando mal, desenchúfela inmediatamente de la corriente y consulte a su proveedor/centro de servicio.

La máquina trituradora mal

- (1) Apague la máquina, desenchúfela de la corriente y quite la bolsa de recogida.
- (2) Quite el tubo de aspiración e inspeccione el ventilador.
- (3) Limpie las aspas del ventilador.
- (4) Si hay algún aspa rota o rajada, no utilice la máquina. Consulte a su proveedor/centro de servicio.

Limpieza de su aspirador/soplador



Mantenga la máquina seca. En ningún caso debe pulverizarla con agua.

- Limpie su aspirador/soplador periódicamente.
- Quite las hojas que hayan quedado pegadas dentro del tubo de aspiración.
- Puede limpiar las partes de plástico con un paño humedecido en agua templada con un jabón suave.



No use ningún tipo de detergente, disolvente o líquido limpiador que puedan contener productos químicos que podrían estropear el plástico.

- Su máquina lleva rodamientos auto-lubricantes, por lo que no necesita lubricación.

Protección del medio ambiente



Black & Decker proporciona facilidades para el reciclado de los productos Black & Decker que hayan llegado al final de su vida útil. Este servicio se proporciona de forma gratuita. Para poderlo utilizar, le rogamos entregue el producto en cualquier servicio técnico autorizado quien se hará cargo del mismo en nuestro nombre.

Pueden consultar la dirección de su servicio técnico más cercano poniéndose en contacto con la oficina local de Black & Decker en la dirección que se indica en este manual. Como alternativa, se puede consultar en Internet, en la dirección siguiente, la lista de servicios técnico autorizados e información completa de nuestros servicios de postventa y contactos: www.2helpU.com.

Declaración CE de conformidad

GW350/370

Black & Decker declara que estos productos están en conformidad con:

98/37/CEE, 89/336/CEE, 73/23/CEE,
EN 55014, EN 55104, EN 60335,

2000/14/CEE, aspirador-soplador = 11 m³/min,
Annex V

El nivel de la presión acústica, medida de acuerdo con 2000/14/CEE:

L_{pA}	(presión acústica)	dB(A)	92
L_{WA}	(potencia acústica)	dB(A)	105
L_{WA}	(garantizado)	dB(A)	107

Valor cuadrático medio ponderado en frecuencia de la aceleración según EN ISO 5329:
< 2,5 m/s²

Kevin Hewitt

Director de Ingeniería del Consumidor
Spennymoor, County Durham DL16 6JG,
United Kingdom

01-06-2003 (Fecha de primera fabricación)
Solicitudes de patente del Reino Unido nº 0229517.8;
0300442.1; 0302170.6

Solicitud de diseño del Reino Unido nº 3 010 507
Patentes europeas nº 0 723 758 B1; 0 723 759 B1
Patentes de EE.UU. nº 5 673 457; 5 604 954

Garantía

Black & Decker confía plenamente en la calidad de sus productos y ofrece una garantía extraordinaria. Esta declaración de garantía es una añadido a, y en ningún caso un perjuicio para, sus derechos estatutarios. La garantía es válida dentro de los territorios de los Estados Miembros de la Unión Europea y de los de la Zona Europea de Libre Comercio.

Si un producto Black & Decker resultara defectuoso debido a materiales o mano de obra defectuosos o a la falta de conformidad, Black & Decker garantiza, dentro de los 24 meses de la fecha de compra, la sustitución de las piezas defectuosas, la reparación de los productos sujetos a un desgaste y rotura razonables o la sustitución de tales productos para garantizar al cliente el mínimo de inconvenientes, a menos que:

- El producto haya sido utilizado con propósitos comerciales, profesionales o de alquiler;
- El producto haya sido sometido a un uso inadecuado o negligente;

- El producto haya sufrido daños causados por objetos o sustancias extrañas o accidentes;
- Se hayan realizado reparaciones por parte de personas que no sean los servicios de reparación autorizados o personal de servicios de Black & Decker;

Para reclamar en garantía, será necesario que presente la prueba de compra al vendedor o al servicio técnico de reparaciones autorizado. Pueden consultar la dirección de su servicio técnico más cercano poniéndose en contacto con la oficina local de Black & Decker en la dirección que se indica en este manual. Como alternativa, se puede consultar en Internet, en la dirección siguiente, la lista de servicios técnico autorizados e información completa de nuestros servicios de postventa y contactos: **www.2helpU.com**.

Otras herramientas de jardinería

Black & Decker cuenta con una amplia gama de herramientas de jardinería para hacerle la vida en el jardín más fácil. Si desea más información sobre los siguientes productos, no dude en ponerse en contacto con nuestro Centro de Servicio e Información (consulte la página de direcciones al final de este manual) o dirijase a su concesionario local de Black & Decker.

Motosierras

Recortabordes

Recortasetos

Cortacéspedes

Escarificadores

Aspiradores-sopladores

Todos los productos no se encuentran disponibles en todos los países.

Parabéns

A compra do aspirador/soprador da Black & Decker garante-lhe uma limpeza das folhas sem problemas.

GW350 & GW370 - Blower Vac

Aspiração de 2 velocidades ✓ Cortar ✓

Sopro de 2 velocidades ✓

Este aparelho tem muitas funções concebidas para seu benefício, incluindo:

- Motor potente que sopra e aspira/tritura.
- Uma ventoinha com 5 lâminas que corta as folhas em pequenos pedaços numa relação de 10 para 1.
- Interruptor de 2 velocidades para maior conveniência.
- Manipulos grandes concebidos para uma utilização fácil e confortável.
- Tubo de aspiração com abertura grande para maximizar a entrada de folhas.
- Saco de recolha de fácil esvaziamento de 35 litros.

Descrição (Fig. A)

A Esta lista de peças é mencionada neste manual de instruções e apresentada nos diagramas:

1. Interruptor de ligar/desligar de duas velocidades
2. Bloco do motor
3. Botão de fixação/libertação do tubo
4. Tubo de aspiração - superior
5. Tubo de aspiração - inferior
6. Dispositivo de sopro
7. Tubo de sopro
8. Parte superior do saco
9. Saco de recolha
10. Manipulo do saco de recolha
11. Alça de transporte
12. Retentor do cabo
13. Raspador

Conheça a sua máquina



Leia cuidadosamente este manual, cumprindo todas as precauções de segurança recomendadas antes, durante e depois de utilizar a máquina.

Mantenha a sua máquina em boas condições de funcionamento.

Familiarize-se com os comandos antes de utilizar a máquina, mas acima de tudo, certifique-se de que sabe como parar a máquina em caso de emergência.

Guarde este manual e outra literatura fornecida para futura referência.

Instruções de segurança

Formação

- Não permita que o aparelho seja utilizado por pessoas com uma idade inferior a 16 anos ou outras pessoas que não tenham lido este manual de instruções. Você é responsável se houver um acidente.
- Não se esqueça que o operador/ utilizador é responsável pelos acidentes ocorridos com outras pessoas ou na sua propriedade.
- Não permita que crianças, animais ou outras pessoas estejam junto da máquina quando estiver em funcionamento. Mantenha sempre uma distância de 6 metros da área de trabalho.
- Nunca transporte a máquina pelo cabo ou puxe o cabo para separar os conectores. Mantenha o cabo longe de fontes de calor, óleos ou extremidades afiadas. Verifique o estado do cabo antes de utilizar a máquina e não a utilize se o cabo estiver danificado.



Preparação

- Não utilize a sua máquina descalço ou com sandálias abertas.
- Para proteger os seus pés e pernas, use sempre sapatos fortes ou botas – a relva cortada recentemente está húmida e escorregadia. Os sapatos de sola ou o calçado artesanal melhoram a sua segurança.
- Utilize equipamento de protecção. Use óculos de protecção durante a utilização a sua máquina.



- Para evitar irritação contra pó, recomenda-se a utilização de uma máscara facial.
- Utilize uma protecção de ouvidos se o nível de som for desconfortável durante a utilização da sua máquina.



Aviso! Se tiver cabelo comprido, prenda-o até acima dos ombros. Mantenha a roupa larga, laços, adornos e fios pendurados longe de aberturas e peças em movimento.

- O cabo de alimentação de corrente deve ser inspeccionado regularmente para procurar danos ou envelhecimento. Utilize apenas a máquina se o cabo estiver em boas condições.
- Certifique-se sempre de que a sua máquina está em boas condições de segurança e que todas as peças estão apertadas antes de utilizar a máquina.
- Não utilize a máquina se tiver peças gastas ou defeituosas ou não tiver os dispositivos de segurança.
- Não apanhe materiais incandescentes, tais como pontas de cigarros.
- Não utilize o soprador/aspirador numa atmosfera gasosa ou explosiva porque os motores destas ferramentas faiscam normalmente e isto pode inflamar os gases.

Funcionamento

- Não utilize o modo de aspiração sem os tubos de aspiração e o saco de recolha correctamente instalados.

Desligue o produto, deixe parar a ventoinha e remova a ficha da tomada sempre que:

- Alterar de soprador para aspirador.
- O cabo de alimentação estiver danificado ou embaraçado.
- Quando deixar o produto sem vigilância.
- Desbloquear a máquina.
- Verificar, ajustar, limpar ou utilizar a sua máquina.
- Se o aparelho começar a vibrar anormalmente.
- Não coloque a entrada ou saída do aspirador junto dos olhos ou ouvidos durante a sua utilização. Nunca sobre detritos na direcção de outras pessoas.
- Não utilize a máquina à chuva nem a deixe apanhar humidade. Evite utilizar a máquina em relva molhada.
- Utilize a sua máquina apenas de dia ou com uma boa iluminação artificial.



- Não atravesse caminhos de grvilha ou estradas, enquanto a máquina estiver a funcionar em modo sopra/aspiração. Caminhe, nunca corra.
- Nunca coloque a unidade numa grvilha enquanto esta estiver ligada.
- Tenha cuidado com os seus pés, especialmente nas subidas. Mantenha sempre o equilíbrio.
- Não apanhe materiais que possam estar contaminados com líquidos inflamáveis ou combustíveis, tais como gasolina nem utilize a máquina em áreas onde estes estejam presentes.
- Não coloque nenhuns objectos nas aberturas. Nunca utilize a máquina se as aberturas estiverem bloqueadas. Mantenha a máquina sem cabelos, fios, poeiras e qualquer coisa que possa reduzir o fluxo de ar.



Aviso! Utilize a máquina sempre da forma descrita neste manual. A sua máquina foi concebida para ser utilizada numa posição vertical. Se for utilizada de outra forma, pode provocar lesões. Nunca utilize a máquina quando estiver deitada ou virada ao contrário.

- Não transporte o aparelho pelo cabo.
- Direcione sempre o cabo para trás, para que fique afastado do aparelho.
- Caso um cabo fique danificado durante a utilização, desligue imediatamente o cabo de alimentação da corrente. **NÃO TOQUE NO CABO ANTES DE DESLIGAR A CORRENTE.**



Manutenção e armazenamento

- Guarde a sua máquina num local seco, quando não for necessária, fora do alcance das crianças.
- Não utilize solventes ou líquidos de limpeza para limpar a máquina - utilize um raspador para remover a relva e a sujidade.

- Antes do uso, verifique cuidadosamente se a ferramenta e o cabo de força não estão danificados. Verifique o tamanho das peças móveis e se as mesmas estão alinhadas; verifique se há alguma peça partida, se as protecções e os interruptores estão danificados, bem como quaisquer outras condições que possam afectar o funcionamento da ferramenta. Assegure-se de que a ferramenta funcione correctamente e de que esteja a desempenhar as funções para as quais foi projectada. Não utilize o aparelho se houver alguma peça defeituosa ou danificada. Não utilize a ferramenta se o interruptor não estiver a funcionar para ligar ou desligar.
- Qualquer peça defeituosa ou danificada deverá ser reparada ou substituída por um técnico autorizado. Nunca tente efectuar qualquer reparação por sua conta.
- Para evitar situações de risco, o cabo de alimentação danificado deverá ser substituído pelo serviço de assistência ou por um técnico qualificado. Substitua as etiquetas danificadas ou ilegíveis.
- Verifique frequentemente se o colectador de partículas apresenta sinais de desgaste ou deteriorização.
- Ventoinhas sobressalentes encontram-se à sua disposição em qualquer agente Black & Decker. Utilize apenas peças de reposição e acessórios originais.

Isolamento duplo



Esta ferramenta está duplamente vedada; assim não é necessário fio de terra. Certifique-se sempre de que o fornecimento de energia corresponde à voltagem indicada na placa de especificações.

Tenha cuidado com os choques eléctricos.

- A segurança eléctrica pode ser melhorada mediante o uso de dispositivos de corrente residual (RCD) de alta sensibilidade (30 mA / 30 mS).
- O seu aparelho foi concebido para a utilização apenas em alimentações eléctricas (corrente CA. Não tente utilizá-la em outras fontes.

Cabos de extensão

Ao utilizar a ferramenta externamente, utilize apenas cabos de extensão adequados a esse tipo de uso. Pode ser utilizado um cabo de extensão de 25 m de 3 fios HO5VVF Black & Decker de 1,5 mm sem perder corrente.

Montagem antes de utilizar (Fig. B & C)

Montagem do tubo de aspiração (Fig. B)

B

- O tubo de aspiração deve ser montado antes da sua utilização.
- Para facilitar a montagem, aplique um pouco de água com sabão na zona de junção.
- Alinhe os cortes (15) e os triângulos (14) nos tubos superior (4) e inferior (5).
- Encaixe o tubo inferior (5) dentro do tubo superior (4), até que os triângulos façam clique. (Nunca trabalhe com os tubos separados).
- Por questões de segurança, os tubos não devem ser separados depois de montados.

Montagem do tubo de sopro (Fig. C)

C

- O tubo de sopro deve ser montado no dispositivo de sopro antes da utilização.
- Alinhe os círculos (16) no dispositivo (6) e o tubo (7).
- Encaixe o tubo (7) no dispositivo (6) até que os círculos encaixem.
- Para o armazenamento, o tubo de sopro pode ser retirado do dispositivo de sopro, soltando os círculos em ambos os lados e deslizando cuidadosamente o tubo.

Montagem da alça de transporte (Fig. D - G)

- Coloque a alça de transporte no bloco do motor, se necessário e ajuste às necessidades do utilizador. Para seu conforto, a alça para o ombro foi concebida para ser colocada de duas maneiras:

Montagem num só ponto (Fig. D)

- Passe o gancho (17) pelo orifício (18) no bloco do motor.
- Ajuste o comprimento da alça com a presilha.

Montagem em dois pontos (Fig. D, E, F & G)

- Passe o gancho (17) pelo orifício (18) no bloco do motor.

- Remova a extremidade solta da alça da presilha.
- Passe a extremidade solta (19) por baixo do rebordo (20), e enrole-a através da presilha (21).
- Ajuste o comprimento da alça com a presilha (Fig. G).

Interruptor on/off (Fig. H1, H2, H3)



Advertência! Utilize ambas as mãos para segurar firmemente no produto enquanto a sua ligação.

- Para um controle adicional, o seu soprador/aspirador está equipado com um interruptor de duas velocidades localizado no manípulo do bloco do motor.
- O interruptor tem uma posição central para desligar. Posição 0 (Fig. H1).
- Para utilizar em baixa velocidade, coloque o interruptor completamente para trás. Posição I (Fig. H2).
- Para mudar para alta velocidade, coloque o interruptor na posição de desligado e, de seguida, completamente para a frente. Posição II (Fig. H3).

Retentor do cabo (Fig. I)

- O retentor do cabo está montado na parte traseira do bloco do motor.
- Passe o cabo (22) através do retentor do mesmo (12).

Utilizar a sua máquina (Fig. J)

Quando utilizar a máquina como soprador ou aspirador, use sempre óculos de segurança. Se utilizar a máquina em locais com muita poeira, use uma máscara anti-poeira.



Desligue o produto, deixe parar a ventoinha e remova a ficha da tomada antes de realizar qualquer ajuste, revisão ou manutenção.

Modo de sopro

- Coloque o dispositivo de sopro e o tubo (6 & 7) no bloco do motor (2) (Fig. J) através da localização do tubo como ilustrado, depois rode à volta deste ponto até que o gancho (24) de libertação/bloqueio fique completamente engatado.
- Segure o tubo de ejeção a cerca de 18cm do chão, ligue a máquina e utilizando um modo circular de lado a lado, avance devagar, mantendo os resíduos/folhas à sua frente (Fig. K).

- Assim que soprar os resíduos/folhas para uma pilha, pode converter para o modo de aspiração para recolher os resíduos.

Remoção do tubo de aspiração/sopro (Fig. J)

J

- Para desligar o dispositivo de sopro ou o tubo de aspiração do bloco do motor, solte o botão de fixação/libertação (3), assegurando-se de que o tubo não cai ao chão.
- O botão de fixação/libertação não é libertado se o interruptor estiver na posição "on".

Modo de aspiração (Fig. L - P)

Para instalar o saco na máquina (Fig. M, N, O):

- Para a aspiração/trituração, o saco de recolha (9) deve estar montado no suporte (8).
- Fig. M: Coloque a margem do saco (25) no canal do suporte (26) assegurando-se de que a parte da frente do saco fica colocada por cima da saída de aspiração (27).
- Encaixe completamente o saco no canal e carregue no trinco (28) para bloquear o manípulo na parte superior do saco (Fig. N e O).
- Coloque o tubo ligeiramente acima dos detritos/folhas. Ligue a máquina e desloque o tubo lentamente. Os detritos/folhas serão sugados pelo tubo, retalhados e colocados no saco de recolha (Fig. L).
- Para resíduos/folhas persistentes, mantenha do tubo de aspiração com um raspador (13). Utilize este raspador para soltar os resíduos e continue a aspirar normalmente.
- À medida que o saco enche, a potência de sucção diminui. Desligue a máquina e retire a ficha da tomada.
- Para retirar o saco, carregue no trinco (28) para desengatá-lo do suporte e retirá-lo.

- Para esvaziar, segure no manípulo de plástico (10) e no manípulo de nylon (29) na parte inferior do saco. Vire o saco ao contrário e abane-o para retirar quaisquer resíduos e folhas.

Detecção de avarias

Falha de funcionamento (1) Verifique a ligação à corrente eléctrica.
 (2) Verifique a ficha.
 (3) Verifique se a montagem do tubo está feita correctamente no bloco.
 (4) Se persistir a avaria, consulte o centro de assistência B&D ou o reparador autorizado mais próximo.

Aspiração deficiente/ ruído intenso (1) Desligue a máquina da corrente, os resíduos devem cair do tubo.

Aspiração deficiente/ ruído intenso (2) Remova e esvazie o saco de recolha.
 (3) Verifique se as portas de entrada e de saída do tubo de aspiração estão limpas.
 (4) Remova os resíduos da ventoinha.
 (5) Se a aspiração deficiente continuar, desligue imediatamente a máquina da corrente e consulte o centro de assistência ou reparador local.

Trituração deficiente (1) Desligue a máquina da corrente e remova o saco de recolha.
 (2) Remova o tubo de aspiração e inspeccione a ventoinha.
 (3) Limpe os resíduos das lâminas da ventoinha.
 (4) Se a ventoinha estiver partida ou danificada, consulte o centro de assistência ou reparador local.

Limpeza



Mantenha a sua máquina seca. Não deite água sobre a máquina em nenhuma circunstância.

- Limpe regularmente a sua máquina.
- Remova as folhas presas que se encontrem dentro do tubo de aspiração.
- As peças plásticas podem ser limpas com sabão e um pano embebido em água quente.



Não utilize qualquer tipo de detergente, produto de limpeza ou dissolvente que contenha químicos que possam danificar o plástico.

- A máquina utiliza rolamentos com lubrificação própria, por isso, não é necessário lubrificá-los.

Protecção do meio ambiente



A Black & Decker oferece facilidades para a reciclagem de produtos Black & Decker uma vez que os mesmos tenham alcançado o final de suas vidas úteis. Este serviço é fornecido sem encargos.

Para utilizá-lo, devolva seu produto a qualquer agente de reparo autorizado, que se encarregará de recolher o equipamento em nosso nome.

Para verificar a localização do agente de reparo mais próximo de si, contacte o escritório local da Black & Decker no endereço indicado neste manual. Se preferir, consulte a lista de agentes autorizados da Black & Decker e os dados completos de nossos serviços de atendimento pós-venda na Internet no endereço: www.2helpU.com.

Declaração de conformidade

GW350/370

A Black & Decker declara que estes produtos estão em conformidade com a:

98/37/CEE, 89/336/CEE, 73/23/CEE,
EN 55014, EN 55104, EN 60335,

2000/14/CEE, soprador/aspirador de folhas
= 11 m³/min, Annex V

Nível de potência sonora, medido de acordo
com a 2000/14/CEE:

L _{PA}	(pressão sonora)	dB(A)	92
L _{WA}	(potência sonora)	dB(A)	105
L _{WA}	(com garantia)	dB(A)	107

Valor médio quadrático ponderado em
frequência de aceleração conforme a
EN ISO 5329: < 2,5 m/s²



Kevin Hewitt

Director de Engenharia do Consumo
Spennymoor, County Durham DL16 6JG,
United Kingdom

01-06-2003 (Data de fabrico)

Números de aplicação da patente do Reino Unido
0229517.8; 0300442.1; 0302170.6

Número de aplicação da patente do Reino Unido 3 010 507

Números da patente Europeia 0 723 758 B1; 0 723 759 B1

Números da patente dos EUA 5 673 457; 5 604 954

Garantia

A Black & Decker confia na qualidade de seus produtos e oferece um programa de garantia excelente. Esta declaração de garantia soma-se a seus direitos legais e não os prejudica em nenhum aspecto. A garantia será válida nos territórios dos Estados Membros da União Europeia e na Área de Livre Comércio da Europa.

Caso algum produto da Black & Decker apresente avarias devido a defeitos de material, mão-de-obra ou ausência de conformidade no prazo de 24 meses a partir da data de compra, a Black & Decker garantirá a substituição das peças defeituosas, a reparação dos produtos que foram submetidos a uso adequado e remoção ou substituição dos mesmos para assegurar o mínimo de inconvenientes ao cliente a menos que:

- O produto haja sido utilizado para fins comerciais, profissionais ou locação;
- O produto haja sido submetido a uso incorrecto ou descuido;
- O produto haja sofrido danos causados por objectos estranhos, substâncias ou acidentes;

PORTUGUÊS

- Haja histórico de reparos efectuados por terceiros que não sejam os agentes autorizados ou profissionais de manutenção da Black & Decker.

Para accionar a garantia, será necessário enviar a prova de compra ao revendedor ou agente de reparo autorizado. Para verificar a localização do agente de reparo mais próximo de si contacte o escritório local da Black & Decker no endereço indicado neste manual. Se preferir, consulte a lista de agentes autorizados da Black & Decker e os dados completos de nossos serviços de atendimento pós-venda na Internet no endereço: www.2helpU.com.

Outras ferramentas para jardim

A Black & Decker possui uma grande variedade de ferramentas que facilitam o trabalho no jardim. Se desejar obter mais informações sobre os produtos a seguir mencionados, contacte o nosso Serviço a Clientes (veja a página de endereços no final deste manual) ou contacte o revendedor local da Black & Decker.

Aparadores
Electrosserras
Tesoura de relva
Corta-sebes
Corta-relvas
Vassouras para relvado
Aspiradores de folhas
Trituradores

Nem todos os produtos estão disponíveis em todos os países.

Συγχαρητήρια

Με την αγορά του λύσατε για πάντα το πρόβλημα του καθαρισμού του κήπου σας από τα φύλλα.

GW350 & GW370 - Blower Vac

Σκούπισμα 2 ταχυτήτων ✓ Τεμαχισμός ✓
Εμφύσηση αέρα 2 ταχυτήτων ✓

Αυτή η συσκευή διαθέτει πολλά χαρακτηριστικά που έχουν σχεδιαστεί ειδικά για την καλύτερη εξυπηρέτησή σας όπως:

- Ισχυρό μοτέρ το οποίο έχει δυνατότητα ώθησης του αέρα και απορρόφησης/τεμαχισμού.
- Μοναδική έλικα 5 πτερύγων η οποία τεμαχίζει τα φύλλα σε σχέση 10 προς 1.
- Διακόπτης 2 ταχυτήτων για μεγαλύτερη άνεση
- Μεγάλο στόμιο σωλήνα απορρόφησης για ευκολότερη συγκομιδή των φύλλων.
- Σάκος συλλογής 35 λίτρων που αδειάζει εύκολα

Περιγραφή (Εικ. Α)

A Σας παραθέτουμε παρακάτω ένα κατάλογο εξαρτημάτων και τμημάτων της συσκευής τα οποία αναφέρονται σε αυτό τον Οδηγό χρήσης και τα οποία εμφανίζονται στις αντίστοιχες εικόνες:

1. Διακόπτης θέσης εντός/εκτός λειτουργίας (on/off) δυο ταχυτήτων
2. Κύριο σώμα συσκευής
3. Πληκτρο απελευθέρωσης
4. Απορροφητικός σωλήνας - πάνω
5. Απορροφητικός σωλήνας - κάτω
6. Κάδος εμφύσησης αέρα
7. Σωλήνας εμφύσησης αέρα
8. Πάνω μέρος σάκου
9. Σάκος συλλογής
10. Λαβή σάκου συλλογής
11. Ιμάντας μεταφοράς
12. Σύστημα συγκράτησης καλωδίου
13. Ξύστρα

Γνωρίστε τη συσκευή σας

i Διαβάστε αυτό τον Οδηγό χρήσεως προσεκτικά, δίνοντας ιδιαίτερη προσοχή σε όλες τις οδηγίες που αφορούν την ασφαλεία σας πριν, κατά και μετά τη χρήση της συσκευής. Διατηρείτε τη συσκευή σε καλή λειτουργική κατάσταση.

Εξοικωθείτε με τους διακόπτες της συσκευής πριν τη θέσετε σε λειτουργία αλλά πάνω από όλα μάθετε πως θα τη σταματήσετε ακαριαία σε περίπτωση ανάγκης.

Κρατήστε αυτόν τον Οδηγό και ότι άλλο έντυπο σας παρέχεται μαζί με τη συσκευή για τυχόν μελλοντική χρήση.

Οδηγίες για την ασφάλεια σας

Εκμάθηση

- Μη αφήνετε να χρησιμοποιούν τη συσκευή άτομα ηλικίας κάτω των 16 ετών ή άτομα που δεν έχουν διαβάσει αυτό τον Οδηγό Χρήσεως. Σε περίπτωση ατυχήματος υπεύθυνος θα είστε εσείς.
- Να θυμάστε πάντοτε ότι ο χειριστής της συσκευής είναι υπεύθυνος για ατυχήματα που θα συμβούν σε τρίτους ή στην παρουσία τρίτων.
- Όταν χρησιμοποιείτε τη συσκευή μην αφήνετε ποτέ να πλησιάσουν σε λιγότερο από 6 μέτρα παιδιά, άλλα άτομα ή ζώα.



- Μη μεταφέρετε ποτέ τη συσκευή κρατώντας την από το καλώδιο ή μην τραβάτε ποτέ το καλώδιο απότομα για να αποσυνδέσετε τη συσκευή από την παροχή ηλεκτρικού ρεύματος. Κρατάτε το καλώδιο μακριά από καυτές επιφάνειες λάδια ή αιχμηρές άκρες. Ελέγχετε τη κατάσταση του καλωδίου πριν από τη χρήση και μη χρησιμοποιείτε τη συσκευή εάν το καλώδιο έχει φθαρεί.

Προετοιμασία

- Μη χρησιμοποιείτε τη συσκευή με γυμνά πόδια ή φορώντας σανδάλια.

- Για να προστατεύσετε τα πόδια σας, να φοράτε πάντα χοντρά παπούτσια ή μπότες και μακριά παντελόνια – το γρασίδι που έχει κοπεί πρόσφατα είναι υγρό και γλιστράει. Τα ελαστικά ή χειροποίητα παπούτσια θα ενισχύσουν την ασφάλειά σας.



- Χρησιμοποιείτε εξοπλισμό ασφαλείας. Φοράτε πάντοτε γυαλιά προστασίας καθώς χρησιμοποιείτε τη συσκευή.
- Για να μην έχετε πρόβλημα με τη σκόνη, προτείνουμε να φοράτε κατάλληλη μάσκα για το πρόσωπο.
- Εάν ο θόρυβος σας φαίνεται υπερβολικός πρέπει να φοράτε ωτοασπίδες.



Προσοχή! Αν έχετε μακριά μαλλιά, μαζέψτε τα πάνω από τους ώμους. Διατηρήστε τα χαλαρά ρούχα, γραβάτες, κρόσια και χαλαρές τιράντες μακριά από ανοίγματα και κινούμενα εξαρτήματα.

- Πρέπει να ελέγχετε συχνά το καλώδιο για σημάδια βλάβης ή φθοράς και να χρησιμοποιείτε τη συσκευή μόνο όταν το καλώδιο είναι σε καλή κατάσταση.
- Πριν χρησιμοποιήσετε τη συσκευή ελέγχετε εάν το κυρίως σώμα και όλα τα επιμέρους τμήματα της είναι σε ασφαλή κατάσταση λειτουργίας.
- Μη χρησιμοποιείτε τη συσκευή εάν κάποια μέρη της είναι ελλειμματικά ή παρουσιάζουν φθορές ή λείπουν τα αντίστοιχα προστατευτικά μέρη.
- Μη μαζεύετε με τη συσκευή καιγόμενα αντικείμενα όπως αναμμένες γόπες τσιγάρων.
- Μη χρησιμοποιείτε τη συσκευή εκεί που υπάρχουν εύφλεκτα αέρια καθώς αυτές οι συσκευές δημιουργούν σπινθήρες που μπορούν να προκαλέσουν έκρηξη.

Λειτουργία

- Μην θέτετε σε χρήση τη λειτουργία απορρόφησης χωρίς τον απορροφητικό σωλήνα και το σάκο συλλογής.

Να θέτετε πάντα τη συσκευή σας εκτός λειτουργίας, να αφήνετε τον ανεμιστήρα να σταματήσει και να βγάξετε το φιλτράκι από την πρίζα όταν:

- Αλλάζετε τη συσκευή από απορροφητική σε συσκευή φυσική.
- Εάν το καλώδιο παρουσιάζει φθορές ή έχει μπερδευτεί.
- Αφήνετε τη συσκευή χωρίς επίβλεψη.
- Μπλοκάρτε κάποιο σημείο της συσκευής.
- Όταν ελέγχετε, ρυθμίζετε, καθαρίζετε ή εργάζεστε γενικά πάνω στη συσκευή.
- Αν η συσκευή αρχίσει να δονείται με μη φυσιολογικό τρόπο.
- Μην τοποθετείτε το στόμιο εισόδου ή εξόδου της απορροφητικής συσκευής κοντά στα μάτια ή στα αυτιά κατά τη διάρκεια λειτουργίας. Μη φυσάτε ποτέ τα σκουπίδια προς τους παρευρισκόμενους.
- Μη χρησιμοποιείτε τη συσκευή στη βροχή και μην την αφήνετε να υγρανθεί. Αποφύγετε εάν είναι δυνατόν να χρησιμοποιείτε τη μηχανή σε βρεγμένο χορτάρι.
- Χρησιμοποιείτε τη συσκευή μόνο με το φως της ημέρας ή με πολύ καλό τεχνητό φωτισμό.
- Μη διασχίζετε δρόμους και μονοπάτια με χαλίκια με το μηχανήμα σε λειτουργία όταν φυσάει ή απορροφάει. Να περπατάτε, μην τρέχετε ποτέ.
- Μην αφήνετε τη μονάδα σας πάνω σε χαλίκι ενώ λειτουργεί.
- Μη μαζεύετε υλικά τα οποία είναι διαποτισμένα με εύφλεκτα ή εκρηκτικά υγρά όπως βενζίνη και μη χρησιμοποιείτε τη συσκευή σε μέρη που υπάρχουν τέτοια υγρά. Μην τεντώνετε και να διατηρείτε συνεχώς την ισορροπία σας.
- Μη τοποθετείτε αντικείμενα στα στόμια ή στα ανοίγματα της συσκευής.
- Μη χρησιμοποιείτε ποτέ τη συσκευή εάν τα στόμια της είναι φραγμένα - κρατάτε τα στόμια καθαρά από μαλλιά, νήματα, σκόνη ή οτιδήποτε άλλο το οποίο θα μείωνε τη ροή του αέρα.





Προσοχή! Χρησιμοποιείτε πάντοτε τη μηχανή με τον τρόπο που περιγράφεται σε αυτόν τον Οδηγό Χρήσεως. Η μηχανή σας έχει σχεδιαστεί για να λειτουργεί σε όρθια θέση και εάν χρησιμοποιηθεί με άλλη κλίση μπορεί να σας τραυματίσει. Μη χρησιμοποιείτε ποτέ τη συσκευή στο πλάι ή σε ανάποδη θέση.

- Μη μεταφέρετε τη συσκευή από το καλώδιο.
- Να φροντίζετε πάντα ώστε το καλώδιο να βρίσκεται στο πίσω μέρος, μακριά από τη συσκευή.



- Αν κάποιο καλώδιο φθαρεί κατά τη χρήση, αποσυνδέστε αμέσως το καλώδιο ηλεκτρικού ρεύματος από την πρίζα. ΜΗΝ ΑΓΓΙΖΕΤΕ ΤΟ ΚΑΛΩΔΙΟ ΠΡΙΝ ΑΠΟΣΥΝΔΕΣΕΤΕ ΤΗ ΣΥΣΚΕΥΗ ΑΠΟ ΤΗΝ ΠΡΙΖΑ.

Αποθήκευση και συντήρηση της συσκευής

- Αποθηκεύετε τη συσκευή σε κάποιο στεγνό μέρος στο οποίο δεν έχουν πρόσβαση τα παιδιά.
- Μη χρησιμοποιείτε υγρά καθαρισμού για να καθαρίσετε τη συσκευή σας - χρησιμοποιείτε ένα μη αιχμηρό ξύστη για να απομακρύνετε τη βρωμιά και το γρασίδι.
- Πριν τη χρήση, ελέγξτε προσεκτικά τη συσκευή και το καλώδιο τροφοδοσίας για τυχόν ζημιές. Ελέγξτε για τυχόν κακή ευθυγράμμιση και εμπλοκή των κινουμένων μερών, για εξαρτήματα που έχουν σπάσει, για τυχόν ζημιές στους προφυλακτικές και στους διακόπτες και γενικά για κάθε είδους συνθήκες οι οποίες ενδεχομένως να επηρεάσουν τη λειτουργία της συσκευής. Βεβαιωθείτε ότι η συσκευή λειτουργεί κανονικά και χρησιμοποιείται για το σκοπό για τον οποίο προορίζεται. Μη χρησιμοποιείτε τη συσκευή αν κάποιο εξάρτημά της έχει πάθει ζημιά ή παρουσιάζει ελάττωμα. Μη χρησιμοποιείτε τη συσκευή αν δεν μπορεί να τεθεί εντός ή εκτός λειτουργίας με το διακόπτη.
- Ζητήστε από εξουσιοδοτημένο συνεργείο σέρβις την επισκευή ή την αντικατάσταση όλων των φθαρμένων ή ελαττωματικών εξαρτημάτων.

Ποτέ μην επιχειρήσετε να επισκευάσετε οι ίδιοι το εργαλείο.

- Αν το καλώδιο ηλεκτρικού ρεύματος είναι φθαρμένο, πρέπει να αντικατασταθεί από τον κατασκευαστή ή από τον εξουσιοδοτημένο αντιπρόσωπο σέρβις ή άλλο άτομο με παρόμοια άδεια ώστε να μην προκύψει κίνδυνος. Αντικαταστήστε τις ετικέτες που έχουν φθαρεί ή που είναι δυσανάγνωστες.
- Να ελέγχετε τακτικά το συλλέκτη σκουπιδιών για τυχόν φθορές.
- Ανεμιστήρες για αντικατάσταση διατίθενται από τον αντιπρόσωπο σέρβις της Black & Decker. Να χρησιμοποιείτε μόνο γνήσια ανταλλακτικά και εξαρτήματα.

Διπλή ηλεκτρική μόνωση



Αυτό το εργαλείο φέρει διπλή μόνωση, επομένως δεν απαιτείται σύρμα γείωσης. Ελέγχετε πάντοτε αν η τάση τροφοδοσίας αντιστοιχεί σε αυτήν που αναγράφεται στην πινακίδα στοιχείων του εργαλείου.

Λάβετε τις κατάλληλες προφυλάξεις για το ενδεχόμενο ηλεκτροπληξίας.

- Η ασφάλεια έναντι ηλεκτροπληξίας μπορεί να βελτιωθεί ακόμα περισσότερο αν χρησιμοποιηθεί συσκευή παραμένουστος ρεύματος (RCD) υψηλής ευαισθησίας (30 mA / 30 mS).
- Η συσκευή σας έχει σχεδιαστεί για χρήση μόνο με ηλεκτρική τροφοδοσία με εναλλασσόμενο ρεύμα (ρεύμα του δικτύου). Μην επιχειρήσετε να τη χρησιμοποιήσετε με διαφορετική ηλεκτρική τροφοδοσία.

Καλώδια προέκτασης

Όταν χρησιμοποιείτε τη συσκευή σε υπαίθριο χώρο, να χρησιμοποιείτε μόνο καλώδια προέκτασης που είναι κατάλληλα για χρήση σε υπαίθριο χώρο.

Μπορεί να χρησιμοποιηθεί τρίκλωνο καλώδιο προέκτασης, Η05VVf 1,5mm, μήκους έως και 25 μέτρα, της Black & Decker χωρίς απώλεια ισχύος.

Συναρμολόγηση πριν από τη χρήση (Εικ. Β & C)

Συναρμολόγηση του απορροφητικού σωλήνα (Εικ. Β)

B

- Ο απορροφητικός σωλήνας πρέπει να συναρμολογείτε πριν από τη χρήση.
- Για εύκολη συναρμολόγηση, προσθέστε νερό με σαπούνι στο σημείο εφαρμογής.
- Ευθυγραμμίστε τις εγκοπές (15) και τα τρίγωνα (14) στον πάνω (4) και τον κάτω (5) σωλήνα.
- Σπρώξτε τον κάτω σωλήνα (5) με δύναμη μέσα στον πάνω σωλήνα (4) μέχρι να μπουν τα τρίγωνα στη θέση τους κάνοντας “κλικ”. (Ποτέ μην τους λειτουργείτε χωριστά).
- Για λόγους ασφάλειας, οι σωλήνες δεν πρέπει να αποσυνδεθούν αφού έχουν συναρμολογηθεί.

Συσκευή σωλήνα Απορροφητήρα (Εικ. C)

C

- Ο σωλήνας εμφύσησης πρέπει να συναρμολογηθεί στον κάδο εμφύσησης πριν τη χρήση.
- Ευθυγραμμίστε τους κύκλους (16) πάνω στον κάδο (6) και στο σωλήνα (7).
- Σπρώξτε το σωλήνα (7) με δύναμη πάνω στον κάδο (6) μέχρι να μπουν οι κύκλοι στη θέση τους κάνοντας “κλικ”.
- Για να αποθηκευθεί, ο σωλήνας εμφύσησης μπορεί να αποσυνδεθεί από τον κάδο πιέζοντας τους κύκλους και στις δυο πλευρές και τραβώντας το σωλήνα απαλά ώστε να βγει.

Συναρμολόγηση της ζώνης μεταφοράς (Εικ. D - G)

- Εάν το επιθυμείτε συνδέστε τη ζώνη μεταφοράς με το κυρίως σώμα της συσκευής και ρυθμίστε τη ανάλογα με τη σωματική σας διάπλαση.

Για να είστε άνετα, ο μάντας του ώμου έχει σχεδιαστεί ώστε να μπορεί να τοποθετείται με δυο τρόπους:

Σύνδεση Ενός Σημείου (Εικ. D)

- Κλείστε το γάντζο (17) μέσα από την οπή (18) πάνω στο κύριο σώμα της συσκευής.

ΕΛΛΗΝΙΚΑ

- Ρυθμίστε το μήκος της θηλιάς με την αγκράφα.

Σύνδεση Δυο Σημείων (Εικ. D, E, F & G)

- Κλείστε το γάντζο (17) μέσα από την οπή (18) πάνω στο κύριο σώμα της συσκευής.
- Βγάλτε το ελεύθερο άκρο του μάντα από την αγκράφα.
- Περάστε το ελεύθερο άκρο (19) κάτω από το σημείο στήριξης (20) και ξαναπεράστε το μέσα από την αγκράφα (21).
- Ρυθμίστε το μήκος της θηλιάς με την αγκράφα (Εικ. G).

Δι ακόπτης λειτουργίας ON/OFF (Εικ. H1, H2, H3)



Προειδοποίηση! Κρατήστε τη συσκευή γερά και με τα δυο σας χέρια όταν τη θέτετε σε λειτουργία.

- Για επιπλέον έλεγχο, η συσκευή σας διαθέτει διακόπτη δυο ταχυτήτων που βρίσκεται στη χειρολαβή του κυρίου σώματος της συσκευής.
- Ο διακόπτης διαθέτει ένα κεντρικό off (εκτός λειτουργίας). Θέση 0 (Εικ. H1)
- Για χρήση στη χαμηλή ταχύτητα, μετακινήστε το διακόπτη προς τα πίσω μέχρι το τέρμα. Θέση I (Εικ. H2)
- Για να αλλάξετε στην υψηλή ταχύτητα, σπρώξτε το διακόπτη πίσω στη θέση off και στη συνέχεια προς τα εμπρός μέχρι το τέρμα. Θέση II (Εικ. H3)

Σημείο συγκράτησης του καλωδίου (Εικ. I)

- Η συσκευή σας διαθέτει στο κυρίως σώμα της ένα ειδικό σημείο συγκράτησης του καλωδίου.
- Περάστε το καλώδιο (22) μέσα από το σύστημα συγκράτησης καλωδίου (12).

Χρήση της συσκευής σας (Εικ. J)

Όταν χρησιμοποιείτε τη συσκευή σαν φυσητήρα ή σαν συσκευή απορρόφησης πρέπει να φοράτε πάντοτε προστατευτικά γυαλιά. Εάν τη χρησιμοποιείτε σε συνθήκες που υπάρχει πολύ σκόνη πρέπει να φοράτε μάσκα προσώπου.



Θέστε τη συσκευή εκτός λειτουργίας, αφήστε τον ανεμιστήρα να σταματήσει και βγάλτε το φιλ από την πρίζα πριν εκτελέσετε οποιοδήποτε εργασίες ρύθμισης, επισκευής ή συντήρησης.

Λειτουργία φυσητήρα

- J**
- Συνδέστε τον κάδο και το σωλήνα εμφύσησης αέρα (6 & 7) στο κύριο σώμα της συσκευής (2) (Εικ. J), τοποθετώντας το φυσητήρα όπως δείχνει το βέλος 23. Στη συνέχεια, περιστρέψτε τον γύρω από αυτό το σημείο μέχρι να εμπλακεί πλήρως η ασφάλεια εμπλοκής/απεμπλοκής (24).
 - Κρατήστε το σωλήνα του φυσητήρα περίπου 7 ίντσες πάνω από το έδαφος, θέστε σε λειτουργία τη συσκευή, και φυσήξτε τα φύλλα με μια συνεχόμενη κίνηση από άκρη σε άκρη φροντίζοντας να κρατάτε τα φύλλα πάντα μπροστά σας (Εικ.Κ).
 - Μόλις δημιουργήσετε ένα λοφίοκο με τα φύλλα και τα απομεινάρια του κήπου μπορείτε να αλλάξετε τη λειτουργία της συσκευής σε απορροφητική για να τα μαζέψετε.

Η αφαίρεση του σωλήνα (Εικ. J)

- J**
- Για να αποσυνδέσετε τον κάδο εμφύσησης αέρα ή τον απορροφητικό σωλήνα από το κύριο σώμα της συσκευής, πιέστε το πλήκτρο απελευθέρωσης (3), προσέχοντας να μην πέσει ο σωλήνας στο έδαφος.
 - Δεν θα μπορείτε να πιέσετε το πλήκτρο απελευθέρωσης αν ο διακόπτης βρίσκεται στη θέση "on" (σε λειτουργία).

Απορροφητική λειτουργία (Εικ. L - P)

Για να προσαρμόσετε το σάκο συλλογής στη συσκευή (Εικ. M, N, O):

- Για σκούπισμα/τεμαχισμό, πρέπει να τοποθετηθεί ο σάκος συλλογής (9) στη βάση στήριξης του σάκου (8).
- Εικ. M: Τοποθετήστε τη στεφάνη του σάκου (25) μέσα στο κανάλι της βάσης στήριξης του σάκου (26), προσέχοντας ώστε το μπροστινό μέρος του σάκου να βρίσκεται πάνω από την έξοδο του κενού (27).
- Σύρετε το σάκο μέσα στο κανάλι μέχρι το τέρμα και πιέστε την ασφάλεια (28) για να ασφαλίσετε τη χειρολαβή στο πάνω μέρος του σάκου (Εικ. N & O).
- Τοποθετήστε τον σωλήνα λίγο πιο πάνω από τα θρύψαλα / φύλλα. Ανάψτε τη συσκευή σας, μετά χρησιμοποιώντας μια κίνηση σκούπισματος, τα θρύψαλα / φύλλα θα απορροφηθούν μέσα στον σωλήνα, κομματιασμένα και ριγμένα μέσα στη σακούλα συλλογής (Εικ. L).
- Για σκουπίδια/φύλλα που δεν απομακρύνονται εύκολα, ο απορροφητικός σωλήνας διαθέτει ξύστρα (13). Χρησιμοποιήστε αυτή την ξύστρα για να ξεκολλήσετε τα σκουπίδια και συνεχίστε το σκούπισμα ως συνήθως.
- Ενώ η σακούλα γεμίζεται, η δύναμη της αναρρόφησης θα ελαττωθεί, σβήστε τη συσκευή σας και βγάλτε την πρίζα από την κεντρική παροχή.
- Για να βγάλετε το σάκο, πιέστε την ασφάλεια (28) για να τον απελευθερώσετε από τη βάση στήριξης του και τραβήξτε το σάκο προς τα έξω.
- Για να τον αδειάσετε, κρατήστε την πλαστική χειρολαβή (10) και συγκρατήστε τη χειρολαβή από νάιλον (29) στην κάτω επιφάνεια του σάκου. Αναποδογυρίστε το σάκο και τινάξτε τον ώστε να πέσουν τα σκουπίδια και τα φύλλα.

Εύρεση λάθους στη λειτουργία της συσκευής

Η συσκευή δεν λειτουργεί (1) Ελέγξτε τη σύνδεση με την παροχή ηλεκτρικού ρεύματος.
(2) Ελέγξτε και αλλάξτε την ασφάλεια του φιν εάν έχει καεί.
(3) Ελέγξτε εάν έχει εφαρμόσει σωστά ο σωλήνας του φυσητήρα πο σωλήνας απορρόφησης με το σώμα της συσκευής.
(4) Εάν μόλις επιχειρείτε να θέσετε σε λειτουργία τη συσκευή καίγεται η ασφάλεια, αποσυνδέστε τη συσκευή αμέσως από το ηλεκτρικό ρεύμα και συμβουλευθείτε τον τοπικό σας αντιπρόσωπο ή κέντρο τεχνικής εξυπηρέτησης.

Μειωμένη απορροφητική απόδοση/ψηλό σφύριγμα (1) Θέστε τη συσκευή εκτός λειτουργίας και αποσυνδέστε την από τη παροχή ηλεκτρικού ρεύματος. Στην περίπτωση αυτή ο σωλήνας θα αδειάσει από τα φύλλα που περιέχει.
(2) Αφαιρέστε και αδειάστε το σάκο συλλογής.
(3) Ελέγξτε εάν έχουν φράξει τα στόμια εισόδου και εξόδου του σωλήνα.
(4) Αφαιρέστε τυχόν υπολείμματα από την πτερωτή.
(5) Εάν η συσκευή συνεχίζει να λειτουργεί με μειωμένη απόδοση συμβουλευθείτε το πλησιέστερο κέντρο τεχνικής εξυπηρέτησης.

Μειωμένη απόδοση τεμαχισμού των φύλλων αποσυνδέστε (1) Θέστε τη συσκευή εκτός λειτουργίας και την από το ηλεκτρικό ρεύμα.
(2) Αφαιρέστε το σωλήνα απορρόφησης και επιθεωρήστε τη πτερωτή.

ΕΛΛΗΝΙΚΑ

(3) Καθαρίστε τα πτερύγια της πτερωτής από τα σκουπίδια που τυχόν έχουν μαζευτεί εκεί.
(4) Εάν η φτερωτή έχει ραγίσει ή παρουσιάζει άλλες φθορές συμβουλευθείτε τον τοπικό σας αντιπρόσωπο ή το πλησιέστερο κέντρο τεχνικής εξυπηρέτησης.

Ο καθαρισμός του εργαλείου



Κρατάτε τη συσκευή πάντοτε στεγνή. Μην την καταβρέχετε ποτέ με νερό.

- Καθαρίζετε τακτικά το εργαλείο.
- Αφαιρείτε πάντοτε από το σωλήνα όσα φύλλα απομένουν σε αυτόν.
- Τα πλαστικά μέρη μπορείτε να τα πλένετε με μαλακό σαπούνι χρησιμοποιώντας πανί βρεγμένο με ζεστό νερό.



Μη χρησιμοποιείτε καθαριστικά τα οποία μπορεί να περιέχουν χημικά τα οποία θα προκαλέσουν σοβαρές φθορές στο πλαστικό.

- Στο εργαλείο υπάρχουν τοποθετημένα αυτολιπαντα κουζίνα, ετσι δεν χρειαζεται λιπανση στο εργαλειο.

Προστασία του περιβάλλοντος



Η Black & Decker δίνει τη δυνατότητα ανακύκλωσης των προϊόντων της που έχουν συμπληρώσει τη διάρκεια ζωής τους. Η υπηρεσία αυτή είναι δωρεάν. Αν θέλετε να χρησιμοποιήσετε την εν λόγω υπηρεσία, επιστρέψτε το προϊόν σας σε οποιοδήποτε εξουσιοδοτημένο κέντρο επισκευών, όπου θα το παραλάβουν εκ μέρους σας.

Ενημερωθείτε για το πλησιέστερο κέντρο επισκευών της περιοχής σας, επικοινωνώντας με τα γραφεία της Black & Decker στη διεύθυνση που αναγράφεται στο εγχειρίδιο. Επίσης, για να πληροφορηθείτε για τα εξουσιοδοτημένα κέντρα επισκευών της Black & Decker, τις λεπτομέρειες και τους αρμόδιους των υπηρεσιών που παρέχονται μετά την πώληση, μπορείτε να ανατρέξετε στο Διαδίκτυο στη διεύθυνση: www.2helpU.com.

Δήλωση συμμορφωσης EK

GW350/370

Η Black & Decker δηλώνει ότι τα προϊόντα αυτά συμμορφώνονται με:

98/37/ΕΟΚ, 89/336/ΕΟΚ, 73/23/ΕΟΚ,
EN 55014, EN 55104, EN 60335,

2000/14/ΕΟΚ, Φυσητήρας-Απορροφητήρας
Φύλλων = 11 m³/min, Annex V

Ανώτατο όριο ηχητικής πίεσης,
μέτρηση κατά 2000/14/ΕΟΚ:

L _{PA}	(ηχητική πίεση)	dB(A)	92
L _{WA}	(ακουστική δύναμη)	dB(A)	105
L _{WA}	(εγγυημένο προϊόν)	dB(A)	107

Ο σταθμισμένος τετραγωνικός μέσος όρος επιτάχυνσης κατά EN ISO 5329: < 2,5 m/s²



Kevin Hewitt

Διευθυντής Μηχανικής Πελατών
Spennymoor, County Durham DL16 6JG,
United Kingdom

01-06-2003 (Ημερομηνία 1ης κατασκευής)

Αρ. εφαρμογής ευρεσιτεχνίας για την Αγγλία
0229517.8; 0300442.1; 0302170.6

Αρ. εφαρμογής σχεδιασμού για την Αγγλία 3 010 507
Αρ. ευρεσιτεχνίας για την Ευρώπη. 0 723 758 B1;
0 723 759 B1

Αρ. ευρεσιτεχνίας για τις Η.Π.Α. 5 673 457; 5 604 954

Εγγύηση

Η Black & Decker είναι σίγουρη για την ποιότητα των προϊόντων της και παρέχει σημαντική εγγύηση. Η παρούσα γραπτή εγγύηση αποτελεί πρόσθετο δικαίωμά σας και δεν ζημιώνει τα συνταγματικά σας δικαιώματα. Η εγγύηση ισχύει εντός της επικράτειας των Κρατών Μελών της Ευρωπαϊκής Ένωσης και της Ευρωπαϊκής Ζώνης Ελευθέρων Συναλλαγών.

Σε περίπτωση που κάποιο προϊόν της Black & Decker παρουσιάσει βλάβη εξαιτίας ελαττωματικών υλικών, ποιότητας εργασίας ή έλλειψης συμφωνίας με τις προδιαγραφές εντός 24 μηνών από την ημερομηνία αγοράς, η Black & Decker εγγυάται την αντικατάσταση των ελαττωματικών τμημάτων, την επισκευή προϊόντων που έχουν υποστεί εύλογη φθορά λόγω χρήσης ή την αντικατάσταση των προϊόντων προκειμένου να εξασφαλίσει την ελάχιστη ενόχληση στους πελάτες της, εκτός αν:

- Το προϊόν έχει χρησιμοποιηθεί σε εργασιακό, επαγγελματικό περιβάλλον ή αν έχει ενοικιαστεί
- Έχει γίνει εσφαλμένη χρήση του προϊόντος ή αν έχει παραμεληθεί
- Το προϊόν έχει υποστεί βλάβη από άλλα αντικείμενα, από ουσίες ή λόγω ατυχήματος
- Έχει γίνει προσπάθεια επισκευής από μη εξουσιοδοτημένα κέντρα επισκευών ή από προσωπικό που δεν ανήκει στο προσωπικό της Black & Decker

Για να ισχύσει η εγγύηση, πρέπει να υποβάλετε απόδειξη αγοράς στον πωλητή ή το εξουσιοδοτημένο κέντρο επισκευών. Ενημερωθείτε για το πλησιέστερο κέντρο επισκευών της περιοχής σας, επικοινωνώντας με τα γραφεία της Black & Decker στη διεύθυνση που αναγράφεται στο εγχειρίδιο. Επίσης, για να πληροφορηθείτε για τα εξουσιοδοτημένα κέντρα επισκευών της Black & Decker, τις λεπτομέρειες και τους αρμόδιους των υπηρεσιών που παρέχονται μετά την πώληση, μπορείτε να ανατρέξετε στο Διαδίκτυο στη διεύθυνση: www.2helpU.com.

Άλλα εργαλεία κήπου

Η Black & Decker διαθέτει μία πλήρη σειρά εργαλείων κήπου, τα οποία διευκολύνουν την εργασία σας στον κήπο. Για περισσότερες πληροφορίες σχετικά με τα προϊόντα που αναφέρονται παρακάτω, επικοινωνήστε με το Κέντρο Εξυπηρέτησης και Πληροφόρησης (στη διεύθυνση που αναφέρεται προς το τέλος αυτών των οδηγιών χρήσης) ή με το πλησιέστερο εξουσιοδοτημένο κατάστημα της Black & Decker.

Μηχανές φινιρίσματος χόρτου

Αλυσόπρινα

Φορτιζόμενα ψαλίδια

Χλοοκοπτικές μηχανές

Απορροφητήρας/Φυσητήρας φύλλων

Σπαστήρας φύλλων/κλαδιών

Δεν είναι όλα τα προϊόντα διαθέσιμα σε όλες τις χώρες.-



Australia	DeWALT Industrial Power Tool Company 7 Clarice Road, Box Hill, Victoria 3128	Tel. 03 9895 9200 Fax 03 9899 7465
Belgique/België	Black & Decker (Belgium) N.V. Weihoek 1, 1930 Zaventem	Tel. 02/719.07.11 Fax 02/721.40.45
Danmark	Black & Decker Hejrevang 26B, 3450 Allerød Internet: www.blackdecker.dk	Tel. 70 20 15 10 Fax 48 14 13 99
Deutschland	Black & Decker GmbH Black & Decker Str. 40, D - 65510 Idstein	Tel. 06126/21 24 83 Fax 06126/21 26 01
Ελλάς	Black & Decker (Ελλάς) A.E. Στράβωνος 7 & Βουλιαγμένης 159 16674 Γλυφάδα, Αθήνα, Ελλάδα	Τηλ. (010) 8981 616 Τηλ. (010) 8982 630 Φαξ Service (010) 8983 285
España	Black & Decker Spain Parque de Negocios "Mas Blau" Edificio Muntadas, c/Bergadá, 1, Of. A6 08820 El Prat de Llobregat (Barcelona)	Tel. 934 797 400 Fax 934 797 419
France	Black & Decker (France) S.A.S. B.P. 21, 69571 Dardilly Cédex	Tel. 04 72 20 39 20 Fax 04 72 20 39 00
Helvetia	ROFO AG Gewerbezone Seeblick 3213 Kleinbödingen	Tel. 026-6749391 Fax 026-6749394
Italia	Black & Decker Italia SpA Viale Elvezia 2 20052 Monza (MI)	Tel. 039-23871 Fax 039-2387592/2387594 Numero verde 800-213935
Nederland	Black & Decker (Nederland) BV Florijnstraat 10, 4879 AH Etten-Leur	Tel. 076-5082000 Fax 076-5038184
New Zealand	Black & Decker 81 Hugo Johnson Drive Penrose, Auckland, New Zealand	Tel. 09 579 7600 Fax 09 579 8200
Norge	Black & Decker (Norge) A/S Postboks 248, Leirdal, 1011 Oslo Internet: www.blackdecker.no	Tlf. 22 90 99 00 Fax 22 90 99 01
Österreich	Black & Decker Vertriebsges.m.b.H Erlaaerstraße 165, 1231 Wien	Tel. 01 66116-0 Fax 01 66116-14
Portugal	Black & Decker Rua Egas Moniz 173 S. João do Estoril 2766-651, Estoril	Tel. 214667500 Fax 214667575
Suomi	Black & Decker Oy Palotie 3, 01610 Vantaa Black & Decker Oy, Brandvägen 3, 01610 Vanda	Puh: (09) 825 4540 Fax: (09) 825 45 444 Tel: (09) 825 4540 Fax: (09) 825 45 444
Sverige	Black & Decker AB Box 603, 421 26 Västra Frölunda, Besöksadr. Ekonomivägen 11	Tel: 031-68 60 00 Fax: 031-68 60 08
Türkiye	Black & Decker Merkez Servis Dudullu Cad. Kerembey Sok. No. 1 Küçükbakkalköy/Istanbul	Tel. 0216 455 89 73 Faks 0216 455 20 52
United Kingdom	Black & Decker 210 Bath Road Slough, Berkshire SL1 3YD	Tel. 01753 511234 Fax 01753 551155 Helpline 01753 574277

Dealer address
 Händleradresse
 Cachet du revendeur
 Indirizzo del rivenditore
 Adres van de dealer
 Dirección del detallista
 Morada do revendedor
 Aterforsaljarens adress
 Forhandlerens adresse
 Forhandler adresse
 Jälleenmyyjän osoite
 Διευθυνση αντιπροσώπου

Date of purchase
 Kaufdatum
 Date d'achat
 Data d'acquisto
 Aankoopdatum
 Fecha de compra
 Data de compra
 Inkopsdatum
 Inkjopsdato
 Indkøbsdato
 Ostopaiva
 Ημερομηνία αγοράς

◆ Name ◆ Name ◆ Nom ◆ Nome
 ◆ Naam ◆ Nombre ◆ Nome ◆ Namn
 ◆ Navn ◆ Navn ◆ Nimi ◆ Ovonq:

◆ Address ◆ Adresse ◆ Adresse ◆
 Indirizzo ◆ Adres ◆ Dirección ◆ Morada
 ◆ Adress ◆ Adresse ◆ Adresse ◆ Osoite
 ◆ Διευθυνση:

◆ Town ◆ Ort ◆ Ville ◆ Città ◆ Plaats
 ◆ Ciudad ◆ Localidade ◆ Ort ◆ By ◆ By
 ◆ Paikkakunta ◆ Πόλη:

◆ Postal code ◆ Postleitzahl ◆ Code
 postal ◆ Codice postale ◆ Postcode
 ◆ Código ◆ Código postal ◆ Postnr.
 ◆ Postnr. ◆ Postnr. ◆ Postnummero
 ◆ Κωδικός

◆ Is this tool a gift? ◆ Ist dieses Gerät
 ein Geschenk? ◆ S'agit-il d'un cadeau?
 ◆ Si tratta di un regalo? ◆ Kreeg u de
 machine als cadeau? ◆ ¿Ha recibido
 usted esta herramienta como regalo?
 ◆ Recebeu esta ferramenta como
 presente? ◆ Ar verktyget en gåva?
 ◆ Er verktyget en gave? ◆ Er verktojet
 en gave? ◆ Onko kone lahja?
 ◆ Το εργαλείο είναι δωρο?


Yes ◆ Ja ◆ Oui ◆ Si ◆ Ja ◆ Si
 ◆ Sim ◆ Ja ◆ Ja ◆ Ja ◆ Kyllä ◆ Na
 No ◆ Nein ◆ Non ◆ No ◆ No ◆ No
 ◆ No ◆ Não ◆ Nej ◆ Nei ◆ Nej
 ◆ Ei ◆ Økt

◆ Is this tool your first purchase? ◆ Ist
 dieses Gerät ein Erstkauf? ◆ Est-ce un
 1er achat? ◆ Questo prodotto è il suo
 primo acquisto? ◆ Is deze machine uw
 eerste aankoop? ◆ ¿Es esta
 herramienta la primera de este tipo?
 ◆ Esta ferramenta é a sua primeira
 compra? ◆ Är detta ditt första B&D-
 verktyg? ◆ Er dette ditt første B&D
 verktoy? ◆ Er dette ditt første B&D

verktoy? ◆ Onko tämä ensimmäinen
 B&D-koneesi? ◆ Είναι το εργαλείο
 αυτό η πρώτη σας αγορά?

Yes ◆ Ja ◆ Oui ◆ Si ◆ Ja ◆ Si
 ◆ Sim ◆ Ja ◆ Ja ◆ Ja ◆ Kyllä ◆ Na
 No ◆ Nein ◆ Non ◆ No ◆ No ◆ No
 ◆ No ◆ Não ◆ Nej ◆ Nei ◆ Nej
 ◆ Ei ◆ Økt

◆ Dealer address ◆ Händleradresse
 ◆ Cachet du revendeur ◆ Indirizzo del
 rivenditore ◆ Adres van de dealer
 ◆ Dirección del detallista ◆ Morada do
 revendedor ◆ Aterforsaljarens adress
 ◆ Forhandlerens adresse ◆ Forhandler
 adresse ◆ Jälleenmyyjän osoite
 ◆ Διευθυνση αντιπροσώπου

Cat. no. : 

Data protection act: Tick the box if
 you prefer not to receive further
 information. ◆ Bitte ankreuzen, falls Sie
 keine weiteren Informationen erhalten
 möchten. ◆ Si vous ne souhaitez pas
 recevoir d'informations, cochez cette
 case. ◆ Barrate la casella se non
 desiderate ricevere informazioni.
 ◆ A.u.b. dit vakje aankruisen indien u
 geen informatie wenst te ontvangen.
 ◆ Señale en la casilla sino quiere recibir
 información. ◆ Por favor, assinala com
 uma cruz se não desejar receber
 informação. ◆ Vänligen kryssa för i
 rutan om Ni inte vill ha information.
 ◆ Vennligst kryss av dersom du ikke
 ønsker informasjon. ◆ Venligst sæt
 kryds i ruden såfremt De ikke måtte
 ønske at modtage information.
 ◆ Merkitkaa rasti ruutuun, mikäli ette
 halua vastaanottaa informaatiota.
 ◆ Παρακαλείστε να σημειώσετε εάν
 δεν θέλετε να πάρετε πληροφορίες.

- ◆ GUARANTEE CARD
- ◆ GARANTIEKART
- ◆ GARANTI KORT
- ◆ GARANTIEKARTE
- ◆ TARJETA DE GARANTIA
- ◆ GARANTI KORT
- ◆ CARTE DE GARANTIE
- ◆ CARTÃO DE GARANTIA
- ◆ TAKUUKORTTI
- ◆ TAGLIANDO DI GARANZIA
- ◆ GARANTIBEVIS
- ◆ KAPTA EITΓYHSHZ

English

Please complete this section immediately after the purchase of your tool and send it to Black & Decker in your country. If you live in Australia or New Zealand, please register by using the alternative guarantee card supplied.

Deutsch

Bitte schneiden Sie diesen Abschnitt ab, stecken ihn in einen frankierten Umschlag und schicken ihn an die Black & Decker Adresse Ihres Landes.

Français

Découpez cette partie et envoyez-la sous enveloppe timbrée à l'adresse de Black & Decker dans votre pays, ceci immédiatement après votre achat.

Italiano

Per favore ritagliate questa parte, inseritela in una busta con francobollo e spedite la subito dopo l'acquisto del prodotto all'indirizzo della

Black & Decker nella vostra nazione.

Nederlands

Knip dit gedeelte uit en zend het direct na aankoop in een ge frankeerde, geaddresserde envelop naar het adres van Black & Decker in uw land.

Español

Después de haber comprado su herramienta envíe usted, por favor, esta tarjeta a la central de Black & Decker en su país.

Português

Por favor, recorte esta parte, coloque-a num envelope selado e endereçado e envie-o logo após a compra do seu produto para o endereço da Black & Decker do seu país.

Svenska

Var vänlig klipp ur denna del och sänd den i ett frankerat kuvert till Black & Deckers adress i Ditt land.

Norsk

Venligst klipp ut denne delen umiddelbart etter du har pakket ut ditt produkt og legg det i en adressert konvolutt til Black & Decker (Norge) A/S.

Dansk

Venligst klip denne del ud og send frankeret til Black & Decker i dit land.

Suomi

Leikkaa irti tämä osa, laita se kuoreen ja postita kuori paikalliseen Black & Decker osoitteeseen.

Ελληνικά

Παράκατω κόψετε αυτό το κομμάτι και τοχυδρουργήσατε το κάτω μετά την αγορά του προϊόντος σας στην διεύθυνση της Black & Decker στην Ελλάδα.

Free Manuals Download Website

<http://myh66.com>

<http://usermanuals.us>

<http://www.somanuals.com>

<http://www.4manuals.cc>

<http://www.manual-lib.com>

<http://www.404manual.com>

<http://www.luxmanual.com>

<http://aubethermostatmanual.com>

Golf course search by state

<http://golfingnear.com>

Email search by domain

<http://emailbydomain.com>

Auto manuals search

<http://auto.somanuals.com>

TV manuals search

<http://tv.somanuals.com>