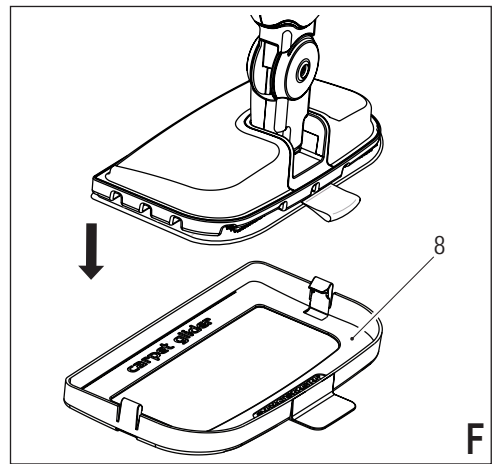
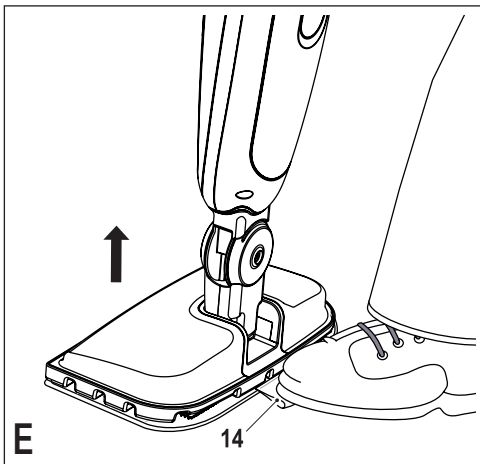
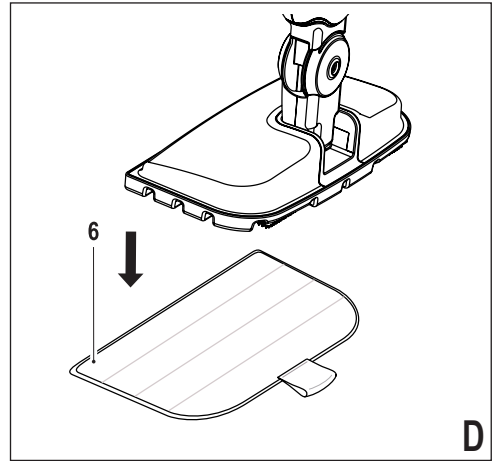
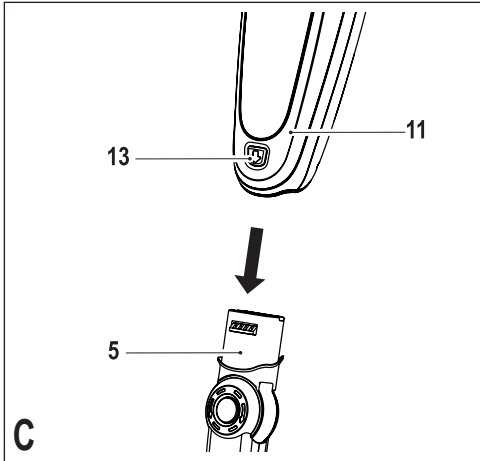
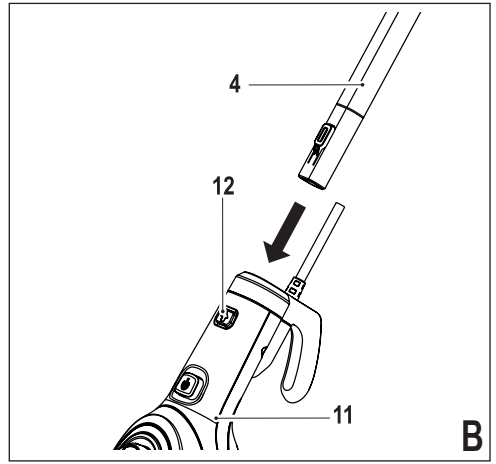
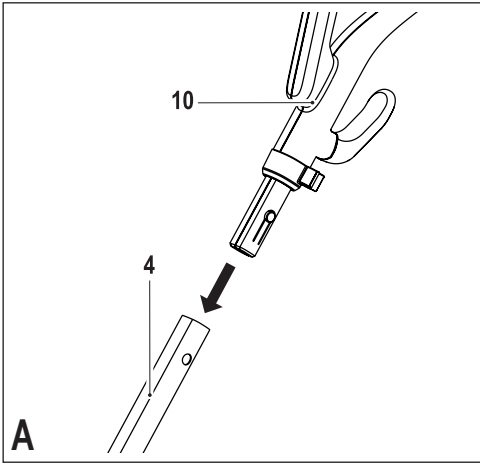
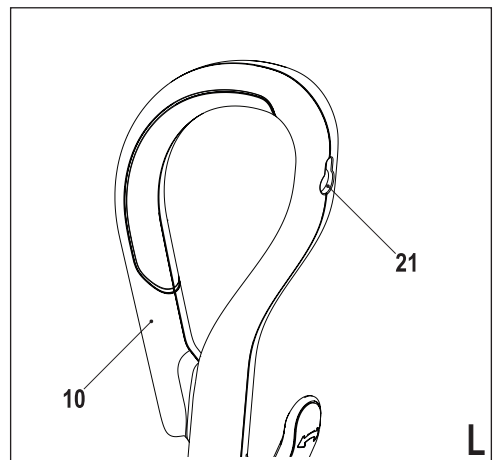
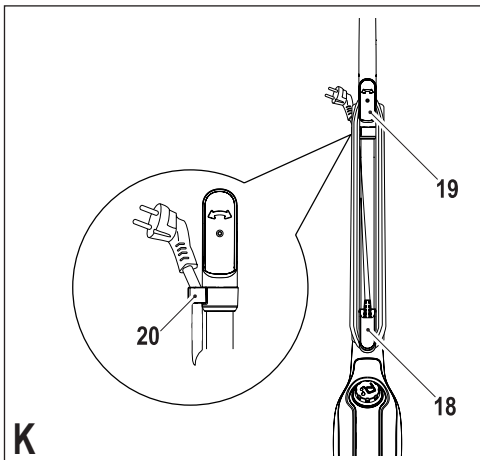
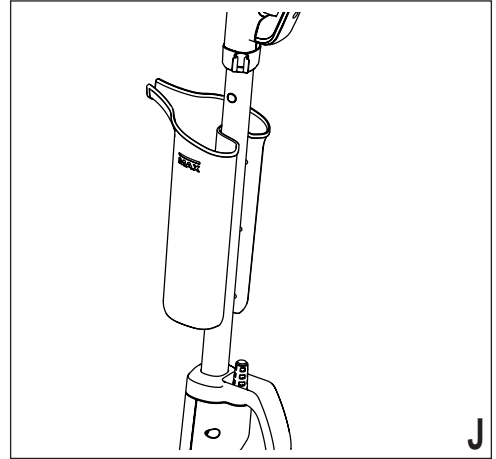
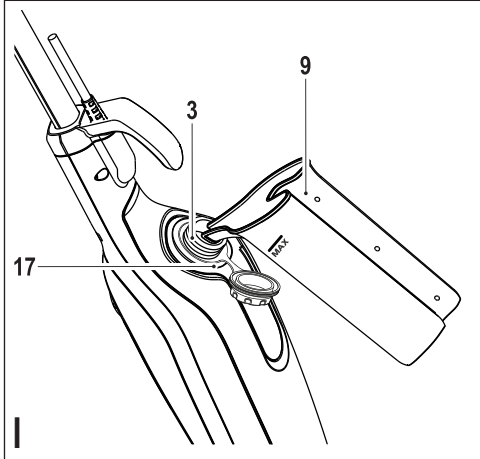
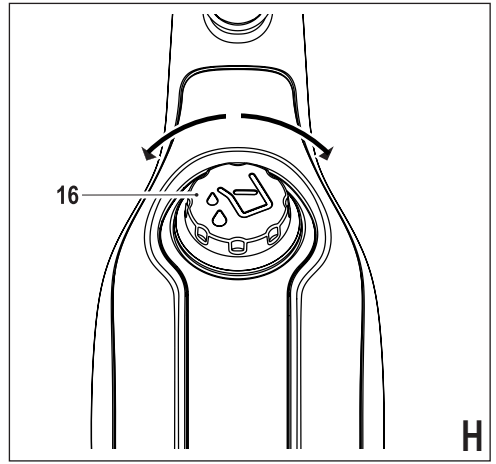
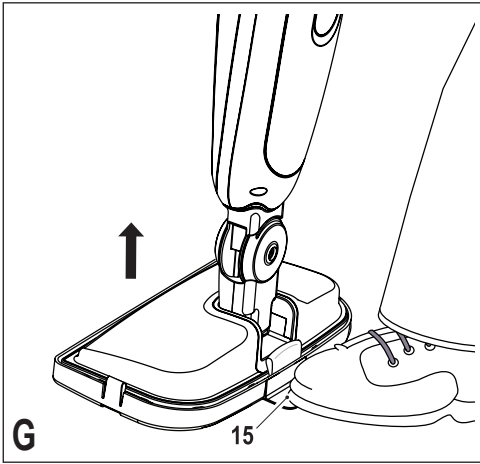


www.blackanddecker.eu

FSM1500
FSM1600
FSM1600D





Intended use

Your Black & Decker steam mop has been designed for sanitising and cleaning sealed hardwood, sealed laminate, linoleum, vinyl, ceramic tile, stone and marble floors and for refreshing carpets. This appliance is intended for indoor household use only.

Safety instructions



Warning! Read all safety warnings and all instructions. Failure to follow the warnings and instructions listed below may result in electric shock, fire and/or serious injury.



Warning! When using mains-powered appliances, basic safety precautions, including the following, should always be followed to reduce the risk of fire, electric shock, personal injury and material damage.

- ◆ Read all of this manual carefully before using the appliance.
- ◆ The intended use is described in this manual. The use of any accessory or attachment or the performance of any operation with this appliance other than those recommended in this instruction manual may present a risk of personal injury.
- ◆ Retain this manual for future reference.

Using your appliance

- ◆ Do not direct steam at people, animals, electrical appliances or electrical outlets.
- ◆ Do not expose to rain.
- ◆ Do not immerse the appliance in water.
- ◆ Do not leave the appliance unattended.
- ◆ Do not leave the appliance connected to an electrical outlet when not in use.
- ◆ Never pull the power lead to disconnect the appliance from the socket. Keep the appliance lead away from heat, oil and sharp edges.
- ◆ Do not handle steam cleaner with wet hands.
- ◆ Do not pull or carry by cord, use cord as a handle, close door on cord, pull cord around sharp corners or expose cord to heated surfaces.
- ◆ Do not use appliance in an enclosed space filled with vapour given off by oil-base paint thinner, some moth-proofing substances, flammable dust, or other explosive or toxic vapours.
- ◆ Check the type of floor with the manufacturer.
- ◆ Do not use on leather, wax polished furniture or floors, synthetic fabrics, velvet or other delicate, steam-sensitive materials.



Warning! Do not use on unsealed wood or unsealed laminate floors. On surfaces that have been treated with wax or some no wax floors, the sheen may be removed by the heat and steam action. It is always recommended to test an isolated area of the surface to be cleaned before proceeding. We also recommend that you check the use and care instructions from the floor manufacturer.

- ◆ Never put descaling, aromatic, alcoholic or detergent products into the steam cleaner, as this may damage it or make it unsafe for use.
- ◆ If the home circuit breaker activates while using the steam function, discontinue product use immediately and contact the customer support centre. (Beware of the risk of electrical shock.)
- ◆ The appliance emits very hot steam to sanitize the area of use. This means that the steam head, cleaning pads and carpet attachment get very hot during use.
- ◆ **Caution!** Always wear suitable shoes when using your steam mop and when changing the accessories on your steam mop. Do not wear slippers or open toed footwear.
- ◆ The lid may become hot during use.
- ◆ Steam may escape from the appliance during use.
- ◆ Care should be taken when using this appliance. DO NOT touch any parts which may become hot during use.
- ◆ Switch the appliance off and return the handle to the upright position before removing the cap from the water tank.
- ◆ For floor use only; do not use the unit upside down. This appliance is intended for indoor household use only.

After use

- ◆ Unplug the appliance and allow to cool before cleaning.
- ◆ When not in use, the appliance should be stored in a dry place.
- ◆ Children should not have access to stored appliances.

Inspection and repairs

- ◆ Unplug the appliance and allow to cool before performing any maintenance or repairs.
- ◆ Before use, check the appliance for damaged or defective parts. Check for breakage of parts, damage to switches and any other conditions that may affect its operation.
- ◆ Regularly check the power lead for damage.
- ◆ Do not use the appliance if any part is damaged or defective.
- ◆ Have any damaged or defective parts repaired or replaced by an authorized repair agent.
- ◆ Never attempt to remove or replace any parts other than those specified in this manual.

Safety of others

- ◆ This appliance is not intended for use by persons (including children) with reduced physical, sensory or mental capabilities, or lack of experience and knowledge, unless they have been given supervision or instruction concerning the use of the appliance by a person responsible for their safety.
- ◆ Children should be supervised to ensure that they do not play with the appliance.

Residual risks.

Additional residual risks may arise when using the tool which may not be included in the enclosed safety warnings. These risks can arise from misuse, prolonged use etc.

Even with the application of the relevant safety regulations and the implementation of safety devices, certain residual risks can not be avoided. These include:

- ◆ Injuries caused by touching any moving parts.
- ◆ Injuries caused by touching any hot parts.
- ◆ Injuries caused when changing any parts or accessories.
- ◆ Injuries caused by prolonged use of the appliance. When using any appliance for prolonged periods ensure you take regular breaks.

Electrical safety



Warning! This product must be earthed.
Always check that the power supply corresponds to the voltage on the rating plate.

Power plugs must match the outlet. Never modify the plug in any way. Unmodified plugs and matching outlets will reduce risk of electric shock.

- ◆ **If the supply cord is damaged, it must be replaced by the manufacturer or an authorised Black & Decker Service Centre in order to avoid a hazard.**

Extension cables & Class 1 product

- ◆ **A 3-core cable must be used as your appliance is earthed and of Class 1 construction.**
- ◆ **Up to 30m (100 ft) can be used without loss of power.**

Labels on the appliance

The following pictograms are shown on the tool:



Warning! To reduce the risk of injury, the user must read the instruction manual.



Warning! Danger of scalding.

Features

This appliance includes some or all of the following features.

1. ON/Off switch
2. Autoselect™ dial
3. Water tank
4. Handle
5. Steam Head
6. Cleaning pad
7. Resting mat
8. Carpet glider (FSM1600 & FSM1600D only)
9. Jug (FSM1600 & FSM1600D only)

Assembly

Warning! Before attempting any of the following operations, make sure that the appliance is switched off and unplugged and that the appliance is cold and does not contain any water.

Attaching the handle (Fig. A & B)

- ◆ Slide the hand grip (10) into the top end of the handle (4) until it clicks into place.
- ◆ Slide the bottom end of the handle (4) into the top end of the steam mop body (11) until it clicks into place.
- ◆ The handle can be removed from the Steam mop body for easy storage by pressing the handle tube release button (12) and pulling the handle (4) out of the steam mop body (11).

Attaching the steam head (Fig. C)

- ◆ Slide the bottom end of the steam mop body (11) onto the steam head (5) until it clicks into place.
- ◆ The steam head can be removed from the Steam mop body by pressing the steam head release button (13) and pulling the steam mop body (11) off the steam head (5).

Attaching a cleaning pad (Fig. D)

Replacement cleaning pads are available from your Black & Decker dealer (cat. no. FSMP20-XJ).

- ◆ Place a cleaning pad (6) on the floor with the 'hook & loop' side facing up.
- ◆ Lightly press the steam mop down onto the cleaning pad (6).

Caution! Always place your steam mop on the resting mat (7) with the handle (4) in the upright position when stationary and make sure the steam mop is turned off when not in use.

Removing a cleaning pad (Fig. E)

Caution! Always wear suitable shoes when changing the cleaning pad on your steam mop. Do not wear slippers or open toed footwear.

- ◆ Return the handle (4) to the upright position and turn the steam mop 'OFF'.

- ◆ Place the steam mop on the resting mat and wait until it cools down. (approximately five minutes)
- ◆ Place the front of your shoe onto the cleaning pad removal tab (14) and press down firmly.
- ◆ Lift the steam mop up off the cleaning pad.

Caution! Always place the steam mop on the resting mat (7) with the handle (4) in the upright position when stationary and make sure the steam mop is turned off when not in use.

Attaching the carpet glider (Fig. F) (FSM1600 & FSM1600D only)

- ◆ Place carpet glider on the floor.
- ◆ Lightly press the steam mop down onto the carpet glider (8) until it clicks into place.

Caution! Always place the steam mop on the resting mat (7) with the handle (4) in the upright position when stationary and make sure the steam mop is turned off when not in use.

Removing the carpet glider (Fig. G) (FSM1600 & FSM1600D only)

Caution! Always wear suitable shoes when changing the carpet glider on your steam mop. Do not wear slippers or open toed footwear.

- ◆ Return the handle (4) to the upright position and turn the steam mop 'OFF'.
- ◆ Place the steam mop on the resting mat and wait until it cools down. (approximately five minutes)
- ◆ Place the front of your shoe onto the carpet glider removal tab (15) and press down firmly.
- ◆ Lift the steam mop up off the carpet glider (8).

Caution! Always place the steam mop on the resting mat (7) with the handle (4) in the upright position when stationary and make sure the steam mop is turned off when not in use.

Filling the water tank (Fig. H, I & J)

This Steam Mop incorporates an anti-calc system to help prolong the life of the system.

Note: Fill the water tank with clean tap water.

Note: In areas of very hard water, the use of de-ionised water is recommended.

- ◆ Ensure that the appliance is switched off and the power cord is disconnected from the mains.
- ◆ Place the steam mop on the resting mat (7) with the handle (4) in the upright position.
- ◆ Remove the filler cap (16) by turning it anti-clockwise.
- ◆ Fill the tank (3) with water.

Warning! Your tank has a 0.5 litre capacity. Do not fill the tank above the Max fill mark.

- ◆ Fit the filler cap (16) by turning it firmly clockwise.

Note: When not in use, the jug may be clipped to the handle for convenient storage (Fig. J) (FSM1600 & FSM1600D only)

Note: Ensure the filler cap is firmly secured. Incorrect fitting of the filler cap will prevent the steam mop from starting.

Use

Switching on and off

- ◆ To switch the appliance on, press the ON/OFF button (1). It takes approximately 15 seconds for the steam mop to heat up.

Note: When the steam mop is first turned on the water reservoir will glow red. Once the steam mop is ready to use the water reservoir will glow blue.

- ◆ To switch the appliance off, press the ON/OFF button (1).

Caution! Never leave the steam mop in one spot on any surface for any period of time. Always place the steam mop on the resting mat (7) with the handle (4) in the upright position when stationary and make sure the steam mop is turned off when not in use.

Caution! Always empty the steam mop after use.

Autoselect™ Technology

This steam mop is fitted with an Autoselect™ dial (2) which shows various cleaning applications. They are used to select the correct operating mode for your particular cleaning operation.

Using the Autoselect™ dial (2), choose from one of the following applications:

	Wood/Laminate
	Stone/Marble
	Tiles/Vinyl

The steam mop will select the correct volume of steam required for your particular cleaning operation.

Hints for optimum use

General

Caution! Never use the steam mop without first attaching a cleaning pad.

- ◆ Always vacuum or sweep the floor before using the steam mop.
- ◆ The easiest way to use the machine is to tilt the handle to a 45° angle and clean slowly, covering a small area at a time.
- ◆ Do not use chemical cleaners with your steam mop. To remove stubborn stains from vinyl or linoleum floors, you can pre-treat with a mild detergent and some water before using the steam mop.

Steam cleaning

- ◆ Place a cleaning pad (6) on the floor with the 'hook & loop' side facing up.
- ◆ Raise the steam mop off the resting mat (7) and lightly press it down onto the cleaning pad (6).
- ◆ Place the steam mop on the resting mat.
- ◆ Connect the steam mop to the mains.
- ◆ Turn the Autoselect™ dial (2) to the required setting.
- ◆ Press the ON/OFF button (1). It takes approximately 15 seconds for the steam mop to heat up.
- ◆ Pulling the handle (4) back will activate the steam pump. After a few seconds steam will start to come out of the steam head.
- ◆ It take a few seconds for steam to enter the cleaning pad. The steam mop will now glide easily over the surface to be sanitised/cleaned.
- ◆ Push and pull the steam mop slowly across the floor to thoroughly steam clean each section.

Note: During use you may turn off the steam pump by returning the handle to the upright position, this convenient feature will allow you to place the steam mop on the resting mat for a short time so that you may move items of furniture, then continue cleaning without the need to switch the appliance off.

- ◆ When you have finished using the steam mop, return the handle (4) to the upright position and turn it 'OFF', place it on the resting mat (7) and wait until the steam mop cools down. (approximately five minutes)

Caution! It is important to monitor the water level in the water tank. To refill the water tank and continue to sanitise/clean, return the handle (4) to the upright position and turn the steam mop 'OFF'. Unplug the unit from the electrical wall outlet and refill the water tank (3) using the jug (9) supplied.

Caution! Never leave the steam mop in one spot on any surface for any period of time. Always place the steam mop on the resting mat (7) with the handle (4) in the upright position when stationary and make sure the steam mop is turned off when not in use.

Carpet refreshing

- ◆ Place a cleaning pad (6) on the floor with the 'hook & loop' side facing up.
- ◆ Raise the steam mop off the resting mat (7) and lightly press it down onto the cleaning pad (6).
- ◆ Place the carpet glider (8) on the floor.
- ◆ Lightly press the steam mop down onto the carpet glider (8) until it clicks into place.
- ◆ Place the steam mop on the resting mat. (7)
- ◆ Connect the steam mop to the mains.
- ◆ Turn the Autoselect™ dial (2) to the Wood/Laminate setting.
- ◆ Press the ON/OFF button (1). It takes approximately 15 seconds for the steam mop to heat up.

- ◆ Pulling the handle (4) back will activate the steam pump. After a few seconds steam will start to come out of the steam head.
- ◆ Push and pull the steam mop slowly across the carpet to thoroughly refresh each section.

Note: During use you may turn off the steam pump by returning the handle (4) to the upright position, this convenient feature will allow you to place the steam mop on the resting mat (7) so that you may move items of furniture with out the need to switch the appliance off.

- ◆ When you have finished using the steam mop, return the handle (4) to the upright position and turn it 'OFF', place it on the resting mat (7) and wait until the steam mop cools down. (approximately five minutes)

Caution! It is important to monitor the water level in the water tank. To refill the water tank and continue to sanitise/clean, return the handle (4) to the upright position and turn the steam mop 'OFF'. Unplug the unit from the electrical wall outlet and refill the water tank using the jug supplied.

Caution! Never leave the steam mop in one spot on any surface for any period of time. Always place the steam mop on the resting mat (7) with the handle (4) in the upright position when stationary and make sure the steam mop is turned off when not in use.

After use (Fig. K & L)

- ◆ Return the handle (4) to the upright position and turn the steam mop 'OFF'.
- ◆ Place the steam mop on the resting mat (7) and wait until the steam mop cools down. (approximately five minutes)
- ◆ Unplug the steam mop from the electrical wall outlet.
- ◆ Empty the water tank (3).
- ◆ Remove the cleaning pad (6) and wash it ready for next use. (Take care to follow the wash care instructions printed on the cleaning pad).
- ◆ Wrap the supply cable around the cable tidy hooks (18 & 19).

Note: The top cable tidy hook (19) rotates to easily release the cable ready for next use.

- ◆ Clip the supply cable into the cable tidy clip (20) close to the plug.
- ◆ Place steam mop on the resting mat (7) for storage.

Note: With the handle (4) in the upright position, the cable neatly wrapped around the cable tidy hooks (18 & 19) and secured in the cable tidy clip (20) your steam mop will stand on its own for storage. Alternatively there is a hanging bracket (21) built into the hand grip (10) which will allow your steam mop to be hung from a suitable hook on the wall. Always ensure that your wall hook is capable of supporting the weight of the steam mop safely.

Maintenance and cleaning

Your Black & Decker corded appliance has been designed to operate over a long period of time with a minimum of maintenance. Continuous satisfactory operation depends upon proper appliance care and regular cleaning.

Warning! Before performing any maintenance or cleaning on corded appliances switch off and unplug the appliance.

- ◆ Wipe your appliance over using a soft damp cloth.
- ◆ For stubborn marks you can use a mild solution of soap and water to dampen your cloth.

Care of the cleaning pads

Wash care instructions - No fabric conditioner - Allow to dry fully before re-use.

Caution! Follow the cleaning instructions printed on the label of the cleaning pad.

Mains plug replacement (U.K. & Ireland only)

If a new mains plug needs to be fitted:

- ◆ Safely dispose of the old plug.
- ◆ Connect the brown lead to the live terminal in the new plug.
- ◆ Connect the blue lead to the neutral terminal.
- ◆ Connect the green/yellow lead to the earth terminal.

Warning! Follow the fitting instructions supplied with good quality plugs. Recommended fuse: 13A.

Protecting the environment



Separate collection. This product must not be disposed of with normal household waste.

Should you find one day that your Black & Decker product needs replacement, or if it is of no further use to you, do not dispose of it with household waste. Make this product available for separate collection.



Separate collection of used products and packaging allows materials to be recycled and used again. Re-use of recycled materials helps prevent environmental pollution and reduces the demand for raw materials.

Local regulations may provide for separate collection of electrical products from the household, at municipal waste sites or by the retailer when you purchase a new product.

Black & Decker provides a facility for the collection and recycling of Black & Decker products once they have reached the end of their working life. To take advantage of this service please return your product to any authorised repair agent who will collect them on our behalf.

You can check the location of your nearest authorised repair agent by contacting your local Black & Decker office at the address indicated in this manual. Alternatively, a list of authorised Black & Decker repair agents and full details of our after-sales service and contacts are available on the Internet at: www.2helpU.com

Technical data

		FSM1600 FSM1600D (Type 1)	FSM1500 (Type 1)
Voltage	V _{ac}	230	230
Power	W	1600	1500
Tank capacity	l	0.5	0.5
Weight	kg	2.52	2.52

Guarantee

Black & Decker is confident of the quality of its products and offers an outstanding guarantee. This guarantee statement is in addition to and in no way prejudices your statutory rights. The guarantee is valid within the territories of the Member States of the European Union and the European Free Trade Area.

If a Black & Decker product becomes defective due to faulty materials, workmanship or lack of conformity, within 24 months from the date of purchase, Black & Decker guarantees to replace defective parts, repair products subjected to fair wear and tear or replace such products to ensure minimum inconvenience to the customer unless:

- ◆ The product has been used for trade, professional or hire purposes;
- ◆ The product has been subjected to misuse or neglect;
- ◆ The product has sustained damage through foreign objects, substances or accidents;
- ◆ Repairs have been attempted by persons other than authorised repair agents or Black & Decker service staff.

To claim on the guarantee, you will need to submit proof of purchase to the seller or an authorised repair agent. You can check the location of your nearest authorised repair agent by contacting your local Black & Decker office at the address indicated in this manual. Alternatively, a list of authorised Black & Decker repair agents and full details of our after-sales service and contacts are available on the Internet at: www.2helpU.com

Please visit our website www.blackanddecker.co.uk to register your new Black & Decker product and to be kept up to date on new products and special offers. Further information on the Black & Decker brand and our range of products is available at www.blackanddecker.co.uk

Bestimmungsgemäße Verwendung

Ihr Black & Decker Dampfreiniger wurde zum hygienischen Säubern von Bodenbelägen aus versiegeltem Hartholz, Laminat, Linoleum, PVC, Keramikfliesen, Stein und Marmor sowie dem Behandeln von Teppichböden entwickelt. Dieses Gerät darf nur im Innenbereich verwendet werden und ist nicht für den gewerblichen Einsatz vorgesehen.

Sicherheitshinweise



Achtung! Lesen Sie sämtliche Sicherheitswarnungen und Anweisungen. Die Nichteinhaltung der nachstehend aufgeführten Warnungen und Anweisungen kann einen elektrischen Schlag, Brand und/oder schwere Verletzungen verursachen.



Achtung! Beachten Sie beim Umgang mit netzstrombetriebenen Geräten stets die grundlegenden Sicherheitshinweise, die im Folgenden beschrieben werden. Dadurch verhindern Sie Brände, Stromschläge sowie Sach- und Personenschäden.

- ◆ Lesen Sie diese Anleitung vollständig und aufmerksam durch, bevor Sie das Gerät zum ersten Mal verwenden.
- ◆ Der vorgesehene Verwendungszweck ist in dieser Anleitung beschrieben. Bei Verwendung von Zubehör oder Anbauteilen, die nicht in dieser Anleitung empfohlen werden, sowie bei der Verwendung des Geräts in Abweichung von den in dieser Anleitung beschriebenen Verfahren besteht Verletzungsgefahr.
- ◆ Bewahren Sie diese Anleitung auf.

Verwendung des Geräts

- ◆ Richten Sie den Dampfstrahl nicht auf Menschen, Tiere, elektrische Geräte oder Steckdosen.
- ◆ Schützen Sie das Gerät vor Regen.
- ◆ Tauchen Sie das Gerät nicht in Wasser.
- ◆ Lassen Sie das Gerät niemals unbeaufsichtigt.
- ◆ Trennen Sie die Stromversorgung des Geräts, wenn dieses nicht verwendet wird.
- ◆ Ziehen Sie den Netzstecker nicht am Kabel aus der Netzsteckdose. Achten Sie darauf, dass das Gerätekabel nicht in Kontakt mit starker Hitze, Öl oder scharfkantigen Gegenständen kommt.
- ◆ Bedienen Sie den Dampfreiniger nicht mit nassen Händen.
- ◆ Verwenden Sie das Kabel nicht zum Ziehen bzw. Tragen des Geräts oder als Haltegriff. Achten Sie darauf, dass das Kabel nicht in Türen eingeklemmt, über scharfe Kanten gezogen oder Hitzequellen ausgesetzt wird.

- ◆ Verwenden Sie das Gerät nicht in geschlossenen Räumen, in denen Dämpfe von Verdünnungsmitteln für Ölfarben, bestimmte Möttenschutzmittel, brennbare Stäube oder andere explosive bzw. giftige Dämpfe austreten.
- ◆ Lassen Sie die Art des Bodenbelags durch den Hersteller bestätigen.
- ◆ Verwenden Sie das Gerät nicht auf Leder, gewachsten Möbelstücken oder Böden, synthetischem Gewebe, Samt oder empfindlichen Materialien, die durch Dampf beschädigt werden können.



Achtung! Verwenden Sie das Gerät nicht auf unverseigelten Holz- und Laminatböden. Der Glanz gewachster und bestimmter ungewachster Oberflächen wird möglicherweise durch den heißen Dampf beeinträchtigt. Es wird empfohlen, die Reinigungswirkung zunächst an einer unauffälligen Stelle zu testen. Beachten Sie auch die Anweisungen des jeweiligen Herstellers zu Gebrauch und Pflege des Bodenbelags.

- ◆ Befüllen Sie den Dampfreiniger nicht mit Entkalker, alkoholhaltigen Stoffen sowie Duft- oder Reinigungsmitteln, da das Gerät hierdurch beschädigt oder die Gerätesicherheit beeinträchtigt werden kann.
- ◆ Stellen Sie die Verwendung des Geräts unmittelbar ein, und wenden Sie sich an den Kundendienst, wenn der Schutzschalter bei Verwendung der Dampffunktion ausgelöst wird. (Es besteht die Gefahr eines Stromschlags.)
- ◆ Das Gerät erzeugt zur hygienischen Säuberung der Anwendungsoberfläche Dampf mit sehr hoher Austrittstemperatur. Deshalb können Reinigungskopf, Bodentuch und Teppichaufsatz bei Betrieb des Geräts sehr heiß werden.
- ◆ **Achtung!** Tragen Sie bei der Verwendung des Dampfreinigers und dem Austausch der Zubehörteile zweckmäßiges Schuhwerk. Tragen Sie keine Hausschuhe oder Sandalen.
- ◆ Der Gerätedeckel kann während des Betriebs heiß werden.
- ◆ Bei Verwendung des Geräts kann Dampf austreten.
- ◆ Das Gerät ist mit Vorsicht zu betreiben. Teile, die während des Betriebs heiß werden können, dürfen NICHT BERÜHRT WERDEN.
- ◆ Schalten Sie das Gerät vor Öffnen des Wassertanks aus, und bewegen Sie den Griff in die aufrechte Stellung.
- ◆ Das Gerät ist nur für Böden bestimmt und darf während der Verwendung nicht umgedreht werden. Dieses Gerät darf nur im Innenbereich verwendet werden und ist nicht für den gewerblichen Einsatz vorgesehen.

Nach dem Gebrauch

- ◆ Ziehen Sie den Netzstecker, und lassen Sie das Gerät abkühlen, bevor Sie dieses reinigen.
- ◆ Bewahren Sie das Gerät bei Nichtgebrauch an einem trockenen Ort auf.

- ◆ Kinder sollten keinen Zugang zu aufbewahrten Geräten haben.

Inspektion und Reparaturen

- ◆ Ziehen Sie vor der Durchführung von Wartungsarbeiten oder Reparaturen den Netzstecker, und lassen Sie das Gerät abkühlen.
- ◆ Prüfen Sie das Gerät vor der Verwendung auf beschädigte oder defekte Teile. Prüfen Sie, ob Teile gebrochen sind, Schalter beschädigt sind oder andere Bedingungen vorliegen, die die Funktion beeinträchtigen könnten.
- ◆ Überprüfen Sie das Netzkabel in regelmäßigen Abständen auf Beschädigungen.
- ◆ Betreiben Sie das Gerät nicht, wenn ein Teil beschädigt oder defekt ist.
- ◆ Lassen Sie beschädigte oder defekte Teile in einer Vertragswerkstatt reparieren oder austauschen.
- ◆ Ersetzen oder entfernen Sie keine Teile, für die in dieser Anleitung keine entsprechende Beschreibung enthalten ist.

Sicherheit anderer Personen

- ◆ Dieses Gerät darf nicht von Personen (einschließlich Kindern) mit eingeschränkten körperlichen, sensorischen oder geistigen Fähigkeiten sowie mangelnder Erfahrung und Kenntnissen bedient werden, es sei denn, sie werden bei der Verwendung des Geräts von einer erfahrenen Person beaufsichtigt oder angeleitet.
- ◆ Kinder müssen beaufsichtigt werden, um sicherzustellen, dass sie nicht mit dem Gerät spielen.

Restrisiken.

Für den Gebrauch dieses Geräts verbleiben zusätzliche Restrisiken, die möglicherweise nicht in den Sicherheitswarnungen genannt werden. Diese Risiken bestehen beispielsweise bei Missbrauch oder längerem Gebrauch.

Auch bei der Einhaltung der entsprechenden Sicherheitsvorschriften und der Verwendung aller Sicherheitsgeräte bestehen weiterhin bestimmte Restrisiken. Diese werden im Folgenden aufgeführt:

- ◆ Verletzungen, die durch das Berühren von sich bewegenden Teilen verursacht werden.
- ◆ Verletzungen, die durch das Berühren von erhitzten Teilen verursacht werden.
- ◆ Verletzungen, die durch das Austauschen von Teilen oder Zubehör verursacht werden.
- ◆ Verletzungen, die durch längeren Gebrauch des Geräts verursacht werden. Legen Sie bei längerem Gebrauch regelmäßige Pausen ein.

Elektrische Sicherheit



Achtung! Das Gerät muss geerdet werden. Überprüfen Sie stets, ob die Netzspannung der auf dem Typenschild des Geräts angegebenen Spannung entspricht.

Der Netzstecker des Gerätes muss in die Steckdose passen. Der Stecker darf in keiner Weise verändert werden. Unveränderte Stecker und passende Steckdosen verringern das Risiko eines elektrischen Schlags.

- ◆ **Ist das Netzkabel beschädigt, muss es durch den Hersteller oder eine Black & Decker Vertragswerkstatt ausgetauscht werden, um eine mögliche Gefährdung zu vermeiden.**

Verlängerungskabel und Produkt der Klasse 1

- ◆ **Wenn das Gerät geerdet ist, und es sich um ein Produkt der Klasse 1 handelt, muss ein dreidriges Kabel verwendet werden.**
- ◆ **Bis zu einer Kabellänge von 30 m treten keine Leistungsverluste auf.**

Warnsymbole am Gerät

Am Gerät sind folgende Warnsymbole angebracht:



Achtung! Lesen Sie vor Gebrauch die Anleitung. Andernfalls besteht Verletzungsgefahr.



Achtung! Verbrühungsgefahr.

Merkmale

Dieses Gerät verfügt über einige oder alle der folgenden Merkmale:

1. Ein-/Ausschalter
2. Autoselect™-Programmwahl
3. Wassertank
4. Griff
5. Reinigungskopf
6. Bodentuch
7. Unterlage
8. Teppichgleiter (nur FSM1600 & FSM1600D)
9. Einfüllbecher (nur FSM1600 & FSM1600D)

Montage

Achtung! Vergewissern Sie sich vor Ausführung der folgenden Schritte, dass das Gerät ausgeschaltet ist und der Netzstecker gezogen wurde sowie dass das Gerät abgekühlt ist und kein Wasser enthält.

Anbringen des Griffs (Abb. A und B)

- ◆ Schieben Sie den Handgriff (10) in das obere Ende des Griffs (4), bis dieser einrastet.
- ◆ Schieben Sie das untere Ende des Griffs (4) in die obere Öffnung des Gerätegehäuses (11), bis dieser einrastet.
- ◆ Zum Verstauen kann der Griff vom Gerät abgezogen werden, indem die Entriegelungstaste des Griffs (12) betätigt und der Griff (4) aus dem Gehäuse (11) des Dampfreinigers gezogen wird.

Anbringen des Reinigungskopfs (Abb. C)

- ◆ Schieben Sie den unteren Teil des Gerätegehäuses (11) auf den Reinigungskopf (5), bis dieser einrastet.
- ◆ Zum Verstauen kann der Reinigungskopf vom Gerät abgezogen werden, indem die Entriegelungstaste des Reinigungskopfs (13) betätigt und das Gerätegehäuse (11) vom Reinigungskopf (5) abgezogen wird.

Anbringen eines Bodentuchs (Abb. D)

Ersatzbodentücher erhalten Sie im Black & Decker Fachhandel (Katalognr. FSMP20-XJ).

- ◆ Legen Sie ein Bodentuch (6) mit den Klettverschlüssen nach oben auf den Boden.
- ◆ Drücken Sie den Dampfreiniger vorsichtig auf das Bodentuch (6).

Achtung! Stellen Sie den Dampfreiniger stets mit dem Griff (4) in aufrechter Stellung auf der Unterlage (7) ab. Stellen Sie sicher, dass der Dampfreiniger ausgeschaltet ist, wenn dieser nicht verwendet wird.

Entfernen eines Bodentuchs (Abb. E)

Achtung! Tragen Sie beim Wechseln des Bodentuchs stets zweckmäßiges Schuhwerk. Tragen Sie keine Hausschuhe oder Sandalen.

- ◆ Bewegen Sie den Griff (4) in die aufrechte Stellung, und schalten Sie den Dampfreiniger aus.
- ◆ Stellen Sie den Dampfreiniger auf der Unterlage ab, und warten Sie bis das Gerät abgekühlt ist (ca. fünf Minuten).
- ◆ Drücken Sie die Lasche zum Entfernen des Bodentuchs (14) mit einer Spitze Ihres Schuhs fest nach unten.
- ◆ Heben Sie den Dampfreiniger vom Bodentuch ab.

Achtung! Stellen Sie den Dampfreiniger stets mit dem Griff (4) in aufrechter Stellung auf der Unterlage (7) ab. Stellen Sie sicher, dass der Dampfreiniger ausgeschaltet ist, wenn dieser nicht verwendet wird.

Anbringen des Teppichgleiters (Abb. F) (nur FSM1600 & FSM1600D)

- ◆ Legen Sie den Teppichgleiter auf den Boden.
- ◆ Drücken Sie den Dampfreiniger vorsichtig auf den Teppichgleiter (8), bis dieser einrastet.

Achtung! Stellen Sie den Dampfreiniger stets mit dem Griff (4) in aufrechter Stellung auf der Unterlage (7) ab. Stellen Sie sicher, dass der Dampfreiniger ausgeschaltet ist, wenn dieser nicht verwendet wird.

Entfernen des Teppichgleiters (Abb. G) (nur FSM1600 & FSM1600D)

Achtung! Tragen Sie beim Wechseln des Teppichgleiters stets zweckmäßiges Schuhwerk. Tragen Sie keine Hausschuhe oder Sandalen.

- ◆ Bewegen Sie den Griff (4) in die aufrechte Stellung, und schalten Sie den Dampfreiniger aus.
- ◆ Stellen Sie den Dampfreiniger auf der Unterlage ab, und warten Sie bis das Gerät abgekühlt ist (ca. fünf Minuten).
- ◆ Drücken Sie die Lasche zum Entfernen des Teppichgleiters (15) mit einer Spitze Ihres Schuhs fest nach unten.
- ◆ Heben Sie den Dampfreiniger vom Teppichgleiter (8) ab.

Achtung! Stellen Sie den Dampfreiniger stets mit dem Griff (4) in aufrechter Stellung auf der Unterlage (7) ab. Stellen Sie sicher, dass der Dampfreiniger ausgeschaltet ist, wenn dieser nicht verwendet wird.

Füllen des Wassertanks (Abb. H, I und J)

Dieser Dampfreiniger ist mit einem Kalkschutz zur Verlängerung der Lebensdauer des Geräts ausgestattet.

Hinweis: Füllen Sie den Wassertank mit sauberem Leitungswasser.

Hinweis: In Regionen mit besonders kalkhaltigem Wasser wird die Verwendung von destilliertem Wasser empfohlen.

- ◆ Stellen Sie sicher, dass das Gerät ausgeschaltet und der Netzstecker gezogen ist.
- ◆ Stellen Sie den Dampfreiniger mit dem Griff (4) in der aufrechten Stellung auf der Unterlage (7) ab.
- ◆ Entfernen Sie die Einfüllkappe (16), indem Sie diese gegen den Uhrzeigersinn drehen.
- ◆ Füllen Sie den Wassertank (3) mit Wasser.

Achtung! Der Tank verfügt über eine Kapazität von 0,5 l. Füllen Sie den Tank nicht bis über die Markierung "Max".

- ◆ Bringen Sie die Einfüllkappe (16) an, indem Sie diese im Uhrzeigersinn drehen.

Hinweis: Der Einfüllbecher lässt sich einfach am Griff anbringen, wenn dieser nicht verwendet wird (Abb. J) (nur FSM1600 & FSM1600D).

Hinweis: Stellen Sie sicher, dass die Einfüllkappe fest angebracht ist. Der Dampfreiniger kann nur in Betrieb genommen werden, wenn die Einfüllkappe ordnungsgemäß angebracht ist.

Verwendung

Ein- und Ausschalten

- ◆ Drücken Sie den Ein-/Ausschalter (1), um das Gerät einzuschalten. Der Dampfreiniger benötigt zum Erreichen der Betriebstemperatur ca. 15 Sekunden.

Hinweis: Der Wasserbehälter leuchtet beim Einschalten des Dampfreinigers zunächst rot. Die Farbe des Wasserbehälters wechselt zu blau, sobald der Dampfreiniger betriebsbereit ist.

- ◆ Drücken Sie den Ein-/Ausschalter (1), um das Gerät auszuschalten.


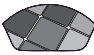

Achtung! Stellen Sie den Dampfreiniger – ungeachtet der jeweiligen Oberfläche – keinesfalls längere Zeit an einer Stelle ab. Stellen Sie den Dampfreiniger stets mit dem Griff (4) in aufrechter Stellung auf der Unterlage (7) ab. Stellen Sie sicher, dass der Dampfreiniger ausgeschaltet ist, wenn dieser nicht verwendet wird.

Achtung! Leeren Sie den Dampfreiniger nach jedem Gebrauch.

Autoselect™-Technologie

Dieser Dampfreiniger ist mit einer Autoselect™-Programmwahl (2) für unterschiedliche Reinigungsanwendungen ausgestattet. Die Programmwahl dient zum Auswählen des richtigen Betriebsmodus für die entsprechende Reinigungsanwendung.

Wählen Sie über die Autoselect™-Programmwahl (2) eine der folgenden Anwendungen aus:

	Holz/Laminat
	Stein/Marmor
	Fliesen/PVC

Der richtige Dampfausstoß für die entsprechende Reinigungsanwendung wird vom Dampfreiniger automatisch ausgewählt.

Hinweise für optimale Arbeitsergebnisse

Allgemeine Hinweise

Achtung! Verwenden Sie den Dampfreiniger keinesfalls ohne Bodentuch.

- ◆ Reinigen Sie den Boden vor der Verwendung des Dampfreinigers stets mit einem Staubsauger bzw. einem Besen.
- ◆ Das Gerät lässt sich am einfachsten verwenden, wenn Sie den Griff in einem Winkel von 45° Grad neigen und jeweils nur eine kleine Fläche bearbeiten.

- ◆ Verwenden Sie bei der Arbeit mit dem Dampfreiniger keine chemischen Reinigungsmittel. Hartnäckige Flecken auf PVC- oder Linoleumböden können mit einem milden Reinigungsmittel und Wasser vorbehandelt werden, um die Arbeit mit dem Dampfreiniger zu erleichtern.

Dampfreinigung

- ◆ Legen Sie ein Bodentuch (6) mit den Klettverschlüssen nach oben auf den Boden.
- ◆ Heben Sie den Dampfreiniger von der Unterlage (7) ab, und drücken Sie diesen vorsichtig auf das Bodentuch (6).
- ◆ Stellen Sie den Dampfreiniger auf der Unterlage ab.
- ◆ Schließen Sie den Dampfreiniger an die Stromversorgung an.
- ◆ Stellen Sie die Autoselect™-Programmwahl (2) auf die gewünschte Stellung ein.
- ◆ Drücken Sie den Ein-/Ausschalter (1). Der Dampfreiniger benötigt zum Erreichen der Betriebstemperatur ca. 15 Sekunden.
- ◆ Die Dampfpumpe wird aktiviert, sobald Sie den Griff (4) nach hinten ziehen. Nach wenigen Sekunden tritt Dampf aus dem Reinigungskopf aus.
- ◆ Es dauert einige Sekunden, bis der Dampf das Bodentuch durchdringt. Anschließend gleitet der Dampfreiniger mühelos über die zu reinigende Oberfläche.
- ◆ Bewegen Sie den Dampfreiniger langsam über den Boden, um alle Bereiche gründlich zu reinigen.

Hinweis: Die Dampfpumpe lässt sich während dem Gebrauch einfach ausschalten, indem Sie den Griff zurück in die aufrechte Stellung bewegen. Diese praktische Funktion ermöglicht es, den Dampfreiniger kurzzeitig auf der Unterlage abzustellen, z. B. wenn Sie Möbel umstellen möchten, bevor Sie mit dem Reinigen fortfahren. Das Gerät muss hierbei nicht ausgeschaltet werden.

- ◆ Bewegen Sie nach dem Gebrauch des Dampfreinigers den Griff (4) zurück in die aufrechte Stellung, und schalten Sie das Gerät aus. Stellen Sie den Dampfreiniger auf der Unterlage (7) ab, und warten Sie bis das Gerät abgekühlt ist (ca. fünf Minuten).

Achtung! Behalten Sie den Wasserpegel im Tank stets im Auge. Bewegen Sie den Griff (4) zurück in die aufrechte Stellung, und schalten Sie das Gerät aus, um den Wassertank aufzufüllen und mit dem Reinigen fortzufahren. Ziehen Sie den Netzstecker, und befüllen Sie den Wassertank(3) mithilfe des mitgelieferten (9) Einfüllbechers.

Achtung! Stellen Sie den Dampfreiniger – ungeachtet der jeweiligen Oberfläche – keinesfalls längere Zeit an einer Stelle ab. Stellen Sie den Dampfreiniger stets mit dem Griff (4) in aufrechter Stellung auf der Unterlage (7) ab. Stellen Sie sicher, dass der Dampfreiniger ausgeschaltet ist, wenn dieser nicht verwendet wird.

Behandeln von Teppichböden

- ◆ Legen Sie ein Bodentuch (6) mit den Klettverschlüssen nach oben auf den Boden.
- ◆ Heben Sie den Dampfreiniger von der Unterlage (7) ab, und drücken Sie diesen vorsichtig auf das Bodentuch (6).
- ◆ Legen Sie den Teppichgleiter (8) auf den Boden.
- ◆ Drücken Sie den Dampfreiniger vorsichtig auf den Teppichgleiter (8), bis dieser einrastet.
- ◆ Stellen Sie den Dampfreiniger auf der Unterlage ab. (7)
- ◆ Schließen Sie den Dampfreiniger an die Stromversorgung an.
- ◆ Stellen Sie die Autoselect™-Programmwahl (2) auf Stellung für Holz/Laminat ein.
- ◆ Drücken Sie den Ein-/Ausschalter (1). Der Dampfreiniger benötigt zum Erreichen der Betriebstemperatur ca. 15 Sekunden.
- ◆ Die Dampfpumpe wird aktiviert, sobald Sie den Griff (4) nach hinten ziehen. Nach wenigen Sekunden tritt Dampf aus dem Reinigungskopf aus.
- ◆ Bewegen Sie den Dampfreiniger langsam über den Teppich, um alle Bereiche gründlich zu behandeln.

Hinweis: Die Dampfpumpe lässt sich während dem Gebrauch einfach ausschalten, indem Sie den Griff (4) zurück in die aufrechte Stellung bewegen. Diese praktische Funktion ermöglicht es, den Dampfreiniger kurzzeitig auf der Unterlage (7) abzustellen, wenn Sie z. B. Möbel umstellen möchten, bevor Sie mit dem Reinigen fortfahren. Das Gerät muss hierbei nicht ausgeschaltet werden.

- ◆ Bewegen Sie nach dem Gebrauch des Dampfreinigers den Griff (4) zurück in die aufrechte Stellung, und schalten Sie das Gerät aus. Stellen Sie den Dampfreiniger auf der Unterlage (7) ab, und warten Sie bis das Gerät abgekühlt ist (ca. fünf Minuten).

Achtung! Behalten Sie den Wasserpegel im Tank stets im Auge. Bewegen Sie den Griff (4) zurück in die aufrechte Stellung, und schalten Sie das Gerät aus, um den Wassertank aufzufüllen und mit dem Reinigen fortzufahren. Trennen Sie das Gerät von der Stromversorgung, und befüllen Sie den Wassertank mithilfe des mitgelieferten Einfüllbechers.

Achtung! Stellen Sie den Dampfreiniger – ungeachtet der jeweiligen Oberfläche – keinesfalls längere Zeit an einer Stelle ab. Stellen Sie den Dampfreiniger stets mit dem Griff (4) in aufrechter Stellung auf der Unterlage (7) ab. Stellen Sie sicher, dass der Dampfreiniger ausgeschaltet ist, wenn dieser nicht verwendet wird.

Nach dem Gebrauch (Abb. K und L)

- ◆ Bewegen Sie den Griff (4) in die aufrechte Stellung, und schalten Sie den Dampfreiniger aus.
- ◆ Stellen Sie den Dampfreiniger auf der Unterlage (7) ab, und warten Sie bis das Gerät abgekühlt ist (ca. fünf Minuten).

- ◆ Ziehen Sie den Netzstecker.
- ◆ Leeren Sie den Wassertank (3).
- ◆ Entfernen Sie das Bodentuch (6), und reinigen Sie dieses vor dem nächsten Gebrauch. (Befolgen Sie hierbei die Reinigungsanweisungen auf dem Bodentuch).
- ◆ Wickeln Sie das Netzkabel um die dafür vorgesehenen Halterungen (18 und 19).

Hinweis: Die obere Halterung (19) lässt sich einfach drehen, um das Kabel bei der nächsten Verwendung abzunehmen.

- ◆ Befestigen Sie das Netzkabel kurz oberhalb des Steckers an dem dafür vorgesehenen Clip (20).
- ◆ Stellen Sie den Dampfreiniger bis zur nächsten Verwendung auf der Unterlage (7) ab.

Hinweis: Wenn sich der Griff (4) in der aufrechten Stellung befindet, das Kabel ordnungsgemäß auf den Halterungen (18 und 19) aufgewickelt ist und mithilfe des Clips (20) gesichert wird, kann der Dampfreiniger ohne Befestigung gelagert werden. Zusätzlich verfügt der Handgriff (10) über eine integrierte Aufhängvorrichtung (21), mit der der Dampfreiniger an einem geeigneten Wandhaken aufgehängt werden kann. Achten Sie darauf, dass der Haken ausreichend tragfähig ist, um das Gewicht des Dampfreinigers sicher zu halten.

Pflege und Reinigung

Ihr Black & Decker Gerät mit Netzkabel wurde im Hinblick auf eine lange Lebensdauer und einen möglichst geringen Wartungsaufwand entwickelt. Ein dauerhafter, einwandfreier Betrieb setzt eine regelmäßige Pflege und Reinigung voraus.

Achtung! Ziehen Sie den Netzstecker des Geräts aus der Steckdose, und schalten Sie das Gerät aus, bevor Sie mit Wartungs- oder Reinigungsarbeiten am Gerät beginnen.

- ◆ Reinigen Sie das Gerät regelmäßig mit einem weichen, feuchten Tuch.
- ◆ Hartnäckige Flecken lassen sich mit milder Seifenlauge und einem feuchten Tuch entfernen.

Pflegen der Bodentücher

Pflegehinweise: Keinen Weichspüler verwenden. Vor der Verwendung vollständig trocknen lassen.

Achtung! Befolgen Sie die Pflegehinweise auf dem Bodentuch.

Austauschen des Netzsteckers (nur Großbritannien und Irland)

Gehen Sie folgendermaßen vor, wenn ein neuer Netzstecker angebracht werden muss:

- ◆ Entsorgen Sie den alten Stecker auf sachgerechte Weise.
- ◆ Verbinden Sie die braune Leitung mit dem spannungsführenden Anschluss des Steckers.
- ◆ Verbinden Sie die blaue Leitung mit dem neutralen Anschluss.
- ◆ Verbinden Sie die grün/gelbe Leitung mit dem Masseanschluss.

Achtung! Befolgen Sie die Anleitungen, die dem Stecker beiliegen. Empfohlene Sicherung: 13 A.

Umweltschutz



Getrennte Entsorgung. Dieses Produkt darf keinesfalls mit dem Hausmüll entsorgt werden.

Sollten Sie Ihr Black & Decker Produkt eines Tages ersetzen oder nicht mehr benötigen, entsorgen Sie es nicht mit dem Hausmüll. Führen Sie das Produkt einer getrennten Sammlung zu.



Durch die getrennte Sammlung von ausgedienten Produkten und Verpackungsmaterialien können Rohstoffe recycelt und wiederverwendet werden. Die Wiederverwendung aufbereiteter Materialien trägt zur Vermeidung der Umweltverschmutzung bei und senkt den Rohstoffbedarf.

Die Verordnung zur Abfallentsorgung Ihrer Gemeinde sieht möglicherweise vor, dass Elektrogeräte getrennt vom Hausmüll gesammelt, an der örtlichen Abfallentsorgungseinrichtung abgegeben oder beim Kauf eines neuen Produkts vom Fachhandel zur Entsorgung angenommen werden müssen.

Black & Decker nimmt Ihre ausgedienten Black & Decker Geräte gern zurück und sorgt für eine umweltfreundliche Entsorgung bzw. Wiederverwertung. Um diese Dienstleistung in Anspruch zu nehmen, geben Sie das Gerät bitte bei einer autorisierten Reparaturwerkstatt ab, die für uns die Einsammlung übernimmt.

Die Adresse der zuständigen Niederlassung von Black & Decker steht in dieser Anleitung. Dort teilt man Ihnen gerne die nächstgelegene Vertragswerkstatt mit. Eine Liste der Vertragswerkstätten und aller Kundendienststellen von Black & Decker sowie der zuständigen Ansprechpartner finden Sie auch im Internet unter: www.2helpU.com

Technische Daten

		FSM1600 FSM1600D (Typ 1)	FSM1500 (Typ 1)
Spannung	V_{ac}	230	230
Leistung	W	1600	1500
Kapazität des Tanks	l	0,5	0,5
Gewicht	kg	2,52	2,52

Garantie

Black & Decker vertraut auf die Qualität der eigenen Geräte und bietet dem Käufer eine außergewöhnliche Garantie. Diese Garantiezusage versteht sich unbeschadet der gesetzlichen Gewährleistungsansprüche und schränkt diese keinesfalls ein. Sie gilt in sämtlichen Mitgliedstaaten der Europäischen Union und der Europäischen Freihandelszone EFTA.

Tritt innerhalb von 24 Monaten ab Kaufdatum an einem Gerät von Black & Decker ein auf Material- oder Verarbeitungsfehler zurückzuführender Mangel auf, garantiert Black & Decker den Austausch defekter Teile, die Reparatur von Geräten mit üblichem Verschleiß bzw. den Austausch eines mangelhaften Gerätes, ohne den Kunden dabei mehr als unbedingt nötig in Anspruch zu nehmen, allerdings vorbehaltlich folgender Ausnahmen:

- ◆ wenn das Gerät gewerblich, beruflich oder im Verleihgeschäft benutzt wurde;
- ◆ wenn das Gerät missbräuchlich verwendet oder mit mangelnder Sorgfalt behandelt wurde;
- ◆ wenn das Gerät durch irgendwelche Fremdeinwirkung beschädigt wurde;
- ◆ wenn ein unbefugter Reparaturversuch durch anderes Personal als das einer Vertragswerkstatt oder des Black & Decker Kundendienstes unternommen wurde.

Zur Inanspruchnahme dieser Garantie ist dem Verkäufer bzw. der Vertragswerkstatt ein Kaufnachweis vorzulegen. Die Adresse der zuständigen Niederlassung von Black & Decker steht in dieser Anleitung. Dort teilt man Ihnen gerne die nächstgelegene Vertragswerkstatt mit. Eine Liste der Vertragswerkstätten und aller Kundendienststellen von Black & Decker sowie der zuständigen Ansprechpartner finden Sie auch im Internet unter: www.2helpU.com

Bitte besuchen Sie unsere Website www.blackanddecker.de, um Ihr neues Black & Decker Produkt zu registrieren. Dort erhalten Sie auch Informationen über neue Produkte und Sonderangebote. Weitere Informationen über die Marke Black & Decker und unsere Produkte finden Sie unter www.blackanddecker.de.

Utilisation

Votre balai vapeur Black & Decker a été conçu pour désinfecter et nettoyer les planchers vernis, les sols en bois lamellés vernis, en lino, en vinyle, en carrelage, en pierre et en marbre. Il convient également au rafraîchissement des moquettes. Il est destiné à une utilisation à l'intérieur et exclusivement domestique.

Consignes de sécurité



Attention ! Lisez avec attention tous les avertissements et toutes les instructions. Le non-respect de cette consigne peut entraîner une électrocution, un incendie et/ou de graves blessures.



Attention ! De simples précautions sont à prendre pour l'utilisation d'appareil branché à l'alimentation principale. Les conseils suivants doivent toujours être appliqués, ceci afin de réduire le risque d'incendie, les chocs électriques, les blessures et les dommages matériels.

- ◆ Lisez attentivement et entièrement le manuel avant d'utiliser l'appareil.
- ◆ Ce manuel décrit la manière d'utiliser cet outil. L'utilisation d'un accessoire ou d'une fixation, ou bien l'utilisation de cet appareil à d'autres fins que celles recommandées dans ce manuel d'instruction peut présenter un risque de blessures.
- ◆ Gardez ce manuel pour référence ultérieure.

Utilisation de votre appareil

- ◆ N'orientez pas la vapeur vers des personnes, des animaux, des appareils électriques ou des prises.
- ◆ Ne laissez pas l'appareil sous la pluie.
- ◆ Ne plongez pas l'appareil dans l'eau.
- ◆ Ne laissez pas l'appareil sans surveillance.
- ◆ Ne laissez pas l'appareil branché à une prise s'il ne doit pas être utilisé.
- ◆ Ne tirez jamais sur le fil électrique pour le débrancher. Maintenez le fil de l'appareil éloigné de toute source de chaleur, de zones grasses et de bords tranchants.
- ◆ N'utilisez pas le balai vapeur avec les mains humides.
- ◆ Le fil ne doit pas être tiré ou servir de poignée. Il ne doit pas être coincé par une porte, glisser sur des coins anguleux ou approcher de surfaces chaudes.
- ◆ N'utilisez pas l'appareil dans un espace restreint où se dégage de la vapeur provenant d'un diluant chimique, certaines substances antimites, de la poussière inflammable ou autres vapeurs explosives ou toxiques.
- ◆ Vérifiez le type de sol avec le fabricant.

- ◆ N'utilisez pas sur du cuir, des meubles ou des sols cirés, des tissus synthétiques, des velours ou autres tissus délicats, des matériaux ne résistant pas à la vapeur.



Attention ! N'utilisez pas sur des sols en bois ou en bois lamellé non vernis. Sur les surfaces traitées avec de la cire ou sur certains sols non cirés, la chaleur et les vapeurs peuvent faire disparaître la brillance. Il est toujours recommandé de tester sur une zone de la surface à nettoyer avant de commencer. Nous recommandons aussi de vérifier les instructions d'utilisation et de précautions du fabricant du sol.

- ◆ Ne jamais utiliser de détartrant, de produit parfumé, d'alcool ou de détergents dans le balai vapeur, ceci aurait pour effet de l'endommager, voire même d'être dangereux.
- ◆ Si le disjoncteur se déclenche pendant l'utilisation du balai vapeur, arrêtez immédiatement de l'utiliser et contactez le service client (ne pas oublier qu'il y a risque d'électrocution).
- ◆ L'appareil diffuse de la vapeur à très haute température pour désinfecter la zone d'utilisation. Cela signifie que les embouts deviennent extrêmement chauds.
- ◆ **Attention !** Portez toujours des chaussures adaptées pour utiliser le balai vapeur ainsi que pour changer d'accessoire. Ne portez pas de chaussons ou de sandalettes.
- ◆ Le couvercle peut devenir chaud pendant l'utilisation.
- ◆ La vapeur peut s'échapper de l'appareil pendant l'utilisation.
- ◆ Toutes les précautions doivent être prises pour utiliser l'appareil. NE TOUCHEZ AUCUNE PIÈCE qui pourrait devenir chaude.
- ◆ Mettez l'appareil hors tension et placez le manche en position verticale avant de retirer le couvercle du réservoir d'eau.
- ◆ Pour les sols uniquement. N'utilisez cet appareil que dans la position appropriée. Cet appareil est destiné à une utilisation exclusivement domestique à l'intérieur.

Après l'utilisation

- ◆ Débranchez l'appareil et laissez-le refroidir avant de le nettoyer.
- ◆ Quand il n'est pas utilisé, l'appareil doit être rangé dans un endroit sec.
- ◆ Les enfants ne doivent pas avoir accès aux appareils rangés.

Vérification et réparations

- ◆ Avant toutes opérations d'entretien ou réparations, débranchez l'appareil et laissez-le refroidir.

- ◆ Avant l'utilisation, vérifiez si l'appareil est en bon état ou si aucune pièce ne manque. Recherchez des pièces cassées, des boutons endommagés et d'autres anomalies susceptibles de nuire au bon fonctionnement de l'appareil.
- ◆ Vérifiez régulièrement l'état du fil électrique.
- ◆ N'utilisez pas l'appareil si une pièce est endommagée ou défectueuse.
- ◆ Faites réparer ou remplacer les pièces défectueuses ou endommagées par un réparateur agréé.
- ◆ Ne tentez jamais de retirer ou de remplacer des pièces autres que celles citées dans ce manuel.

Sécurité des personnes

- ◆ Cet appareil ne doit pas être utilisé par des personnes (y compris les enfants) ayant des déficiences physiques, mentales ou sensorielles. Cette consigne s'applique aussi aux personnes manquant d'expérience et de connaissance du matériel, à moins que celles-ci n'aient reçu les instructions appropriées ou qu'elles ne soient encadrées par une personne responsable de leur sécurité pour utiliser l'appareil.
- ◆ Ne laissez jamais les enfants sans surveillance pour éviter qu'ils ne jouent avec cet outil.

Risques résiduels.

L'utilisation d'un outil non mentionné dans les consignes de sécurité données peut entraîner des risques résiduels supplémentaires. Ces risques peuvent survenir si l'outil est mal utilisé, si l'utilisation est prolongée, etc. Malgré l'application des normes de sécurité correspondantes et la présence de dispositifs de sécurité, les risques résiduels suivants ne peuvent être évités. Ceci comprend :

- ◆ Les blessures dues au contact avec une pièce mobile.
- ◆ Les blessures dues au contact avec les pièces chaudes.
- ◆ Les blessures causées en changeant des pièces ou accessoires.
- ◆ Les blessures dues à l'utilisation prolongée de l'appareil. Une utilisation prolongée de l'appareil nécessite des pauses régulières.

Sécurité électrique



Attention ! Cet appareil doit être relié à la terre. Vérifiez si l'alimentation mentionnée sur la plaque signalétique de l'outil correspond bien à la tension présente sur le lieu.

La fiche d'alimentation doit correspondre à la prise de courant. Ne modifiez en aucun cas la prise. Le respect de ces consignes réduit le risque de choc électrique.

- ◆ **Si le câble d'alimentation est endommagé, il doit être remplacé par le fabricant ou par un Centre de réparation agréé Black & Decker pour éviter tout risque.**

Rallonges et produit de Classe 1

- ◆ **Un câble tripolaire doit être utilisé quand l'appareil est relié à la terre et de Classe 1.**
- ◆ **Une longueur de 30 m peut être utilisée sans perte de puissance.**

Étiquettes sur l'appareil

Les pictogrammes ci-dessous se trouvent sur l'appareil :



Attention ! Pour réduire le risque de blessures, l'utilisateur doit lire le manuel d'instructions.



Attention ! Risque de brûlures.

Éléments

Cet appareil comprend certains, ou tous, les éléments suivants :

1. Bouton marche/arrêt
2. Sélecteur Auto Select™
3. Réservoir d'eau
4. Manche
5. Embout vapeur
6. Tampon nettoyeur
7. Support
8. Accessoire moquette (FSM1600 & FSM1600D uniquement)
9. Récipient (FSM1600 & FSM1600D uniquement)

Assemblage

Attention ! Avant d'exécuter ce qui suit, assurez-vous que l'appareil est éteint, débranché et que l'appareil est froid et ne contient pas d'eau.

Fixation du manche (figures A et B)

- ◆ Glissez la poignée (10) à l'extrémité du manche (4) jusqu'à ce qu'elle soit enclenchée.
- ◆ Glissez l'extrémité du manche (4) en haut du boîtier du balai vapeur (11) jusqu'à ce qu'elle soit enclenchée.
- ◆ Le manche peut être retiré du boîtier du balai vapeur pour faciliter le rangement. Il suffit d'appuyer sur le bouton de dégagement (12) sur le manche et de tirer le manche (4) hors du boîtier du balai vapeur (11).

Fixation de l'embout vapeur (figure C)

- ◆ Glissez l'extrémité inférieure du boîtier du balai vapeur (11) sur l'embout vapeur (5) jusqu'à ce qu'elle soit enclenchée.

- ◆ L'embout vapeur peut être retiré du boîtier du balai vapeur en appuyant sur le bouton de dégagement (13) sur le manche et en dégageant le boîtier du balai vapeur (11) de l'embout vapeur (5).

Fixation d'un tampon nettoyeur (figure D)

Vous trouverez des tampons nettoyeurs chez votre revendeur Black & Decker (cat. n° FSM20-XJ).

- ◆ Placez un tampon nettoyeur (6) au sol avec le système "hook & loop" vers le haut.
- ◆ Appuyez légèrement le balai vapeur sur le tampon nettoyeur (6).

Attention ! À l'arrêt, placez toujours votre balai vapeur sur le support (7) avec le manche (4) en position verticale et assurez-vous qu'il est éteint quand il n'est pas utilisé.

Retrait du tampon nettoyeur (figure E)

Attention ! Portez toujours des chaussures adaptées pour changer le tampon nettoyeur du balai vapeur. Ne portez pas de chaussons ou de sandalettes.

- ◆ Placez le manche (4) en position verticale et éteignez le balai vapeur.
- ◆ Placez le balai vapeur sur le support et attendez qu'il refroidisse (environ cinq minutes)
- ◆ Placez l'avant de votre chaussure sur la languette de dégagement du patin nettoyeur (14) et appuyez fermement dessus.
- ◆ Soulevez le balai vapeur pour dégager le tampon nettoyeur..

Attention ! À l'arrêt, placez toujours le balai nettoyeur sur le support (7) avec le manche (4) en position verticale et assurez-vous que le balai vapeur est éteint quand il n'est pas utilisé.

Fixation de l'accessoire moquette (figure F) (FSM1600 & FSM1600D uniquement)

- ◆ Placez l'accessoire moquette sur le sol.
- ◆ Appuyez légèrement le balai vapeur sur l'accessoire moquette (8) jusqu'à ce qu'il soit enclenché.

Attention ! À l'arrêt, placez toujours le balai nettoyeur sur le support (7) avec le manche (4) en position verticale et assurez-vous que le balai vapeur est éteint quand il n'est pas utilisé.

Retrait de l'accessoire moquette (figure G) (FSM1600 & FSM1600D uniquement)

Attention ! Portez toujours des chaussures adaptées pour changer l'accessoire moquette du balai vapeur. Ne portez pas de chaussons ou de sandalettes.

- ◆ Placez le manche (4) en position verticale et éteignez le balai vapeur.
- ◆ Placez le balai vapeur sur le support et attendez qu'il refroidisse (environ cinq minutes)

- ◆ Placez l'avant de votre chaussure sur la languette de dégagement de l'accessoire moquette (15) et appuyez fermement dessus.
- ◆ Soulevez le balai vapeur pour dégager l'accessoire moquette (8).

Attention ! À l'arrêt, placez toujours le balai nettoyeur sur le support (7) avec le manche (4) en position verticale et assurez-vous que le balai vapeur est éteint quand il n'est pas utilisé.

Remplissage du réservoir d'eau (figures H, I et J)

Ce balai vapeur est doté d'un système anti-calcaire qui permet de prolonger la durée de vie du système.

Remarque : Remplissez le réservoir avec de l'eau du robinet.

Remarque : Dans les zones où l'eau est très calcaire, l'utilisation d'eau distillée est recommandée.

- ◆ Assurez-vous que l'appareil est éteint et débranché du secteur.
- ◆ Placez le balai vapeur sur le support (7) avec le manche (4) en position verticale.
- ◆ Retirez le bouchon (16) en le tournant dans le sens inverse des aiguilles d'une montre.
- ◆ Remplissez le réservoir (3) avec de l'eau.

Attention ! La capacité du réservoir est de 0,5 L. Ne remplissez pas le réservoir au-dessus du repère Max.

- ◆ Installez le bouchon (16) en le serrant fermement dans le sens des aiguilles d'une montre.

Remarque : Pour un côté pratique, quand le récipient n'est pas utilisé, fixez-le au manche (figure J) (FSM1600 & FSM1600D uniquement)

Remarque : Le bouchon de remplissage doit être fermement serré. Dans le cas contraire, le balai à vapeur ne se mettra pas en marche.

Utilisation

Mise en marche et arrêt

- ◆ Pour mettre l'appareil en marche, appuyez sur le bouton marche/arrêt (1). Le balai vapeur prend environ 15 secondes pour chauffer.

Remarque : Quand le balai vapeur est mis en marche, le réservoir d'eau s'allume en rouge. Quand il est prêt à être utilisé, le réservoir d'eau s'allume en bleu.

- ◆ Pour éteindre l'appareil, appuyez sur le bouton marche/arrêt (1).


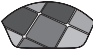

Attention ! Ne laissez jamais longtemps le balai vapeur au même endroit. À l'arrêt, placez toujours le balai nettoyeur sur le support (7) avec le manche (4) en position verticale et assurez-vous que le balai vapeur est éteint quand il n'est pas utilisé.

Attention ! Videz toujours le balai vapeur après l'utilisation.

Technologie Autoselect™

Ce balai vapeur est doté d'un sélecteur Autoselect™ (2) qui permet différentes applications de nettoyage. Elles permettent de sélectionner le mode de fonctionnement approprié au nettoyage que vous souhaitez.

Avec le sélecteur Autoselect™ (2), choisissez une des applications suivantes :

	Bois/Lamellé
	Pierre/Marbre
	Carrelage/Vinyle

Le balai vapeur sélectionne le volume de vapeur approprié au nettoyage choisi.

Conseils pour une utilisation optimale

Généralités

Attention ! N'utilisez jamais le balai vapeur sans avoir d'abord fixé un patin nettoyeur.

- ◆ Aspirez toujours ou balayez le sol avant d'utiliser le balai nettoyeur.
- ◆ Le moyen le plus simple d'utiliser l'appareil est d'incliner le manche de 45° et de nettoyer lentement par petites zones.
- ◆ N'utilisez pas de nettoyeurs chimiques avec le balai vapeur. Pour éliminer les taches qui résistent sur des sols en vinyle ou en lino, vous pouvez prétraiter avec un mélange détergent doux et eau avant d'utiliser le balai vapeur.

Nettoyage à la vapeur

- ◆ Placez un tampon nettoyeur (6) au sol avec le système "hook & loop" vers le haut.
- ◆ Levez le balai vapeur du support (7) et installez-le sans forcer sur le patin nettoyeur (6).
- ◆ Placez le balai vapeur sur le support.
- ◆ Branchez le balai vapeur au secteur.
- ◆ Tournez le sélecteur Autoselect™ (2) à la position désirée.
- ◆ Appuyez sur le bouton marche/arrêt (1). Le balai vapeur prend environ 15 secondes pour chauffer.
- ◆ En tirant sur le manche (4), la pompe à vapeur s'active. Après quelques secondes, la vapeur se forme et est évacuée de l'embout.
- ◆ La vapeur prend quelques secondes pour atteindre le patin nettoyeur. Le balai vapeur peut alors glisser facilement sur la surface à désinfecter/nettoyer.
- ◆ Poussez lentement d'avant en arrière le balai vapeur sur le sol pour nettoyer à fond.

Remarque : Pendant le nettoyage, vous pouvez arrêter la pompe à vapeur en replaçant le manche (4) en position verticale. Vous pourrez ainsi placer le balai vapeur sur le support pendant un court instant afin de déplacer les meubles, puis continuer à nettoyer sans avoir à éteindre l'appareil.

- ◆ Une fois terminé, placez le manche (4) en position verticale et éteignez l'appareil. Placez-le sur le support (7) et attendez jusqu'à ce que le balai vapeur soit refroidi. (environ cinq minutes)

Attention ! Il est important de surveiller le niveau d'eau dans le réservoir. Pour remplir d'eau et continuer à nettoyer/désinfecter, placez le manche (4) en position verticale et éteignez le balai vapeur. Débranchez l'appareil de la prise et remplissez le réservoir (3) avec le récipient (9).

Attention ! Ne laissez jamais longtemps le balai vapeur au même endroit. À l'arrêt, placez toujours le balai vapeur sur le support (7) avec le manche (4) en position verticale et assurez-vous qu'il est éteint quand il n'est pas utilisé.

Rafrâichissement de moquette

- ◆ Placez un tampon nettoyeur (6) au sol avec le système "hook & loop" vers le haut.
- ◆ Levez le balai vapeur du support (7) et installez-le sans forcer sur le patin nettoyeur (6).
- ◆ Placez l'accessoire moquette (8) sur le sol.
- ◆ Appuyez légèrement le balai vapeur sur l'accessoire moquette (8) jusqu'à ce qu'il soit enclenché.
- ◆ Placez le balai vapeur sur le support. (7)
- ◆ Branchez le balai vapeur au secteur.
- ◆ Tournez le sélecteur Autoselect™ (2) à la position Bois/Lamellé.
- ◆ Appuyez sur le bouton marche/arrêt (1). Le balai vapeur prend environ 15 secondes pour chauffer.
- ◆ En tirant sur le manche (4), la pompe à vapeur s'active. Après quelques secondes, la vapeur se forme et est évacuée de l'embout.
- ◆ Poussez et tirez lentement le balai vapeur sur la moquette pour nettoyer à fond.

Remarque : Pendant le nettoyage, vous pouvez arrêter la pompe à vapeur en replaçant le manche (4) en position verticale. Vous pourrez ainsi placer le balai vapeur sur le support (7) afin de déplacer les meubles sans avoir à éteindre l'appareil.

- ◆ Une fois terminé, placez le manche (4) en position verticale et éteignez l'appareil. Placez-le sur le support (7) et attendez jusqu'à ce que le balai vapeur soit refroidi. (environ cinq minutes)

Attention ! Il est important de surveiller le niveau d'eau dans le réservoir. Pour remplir d'eau et continuer à nettoyer/désinfecter, placez le manche (4) en position verticale et éteignez le balai vapeur. Débranchez l'appareil de la prise et remplissez le réservoir avec le récipient.

Attention ! Ne laissez jamais longtemps le balai vapeur au même endroit. À l'arrêt, placez toujours le balai nettoyeur sur le support (7) avec le manche (4) en position verticale et assurez-vous que le balai vapeur est éteint quand il n'est pas utilisé.

Après l'utilisation (figures K et L)

- ◆ Placez le manche (4) en position verticale et éteignez le balai vapeur.
- ◆ Placez le balai vapeur sur le support (7) et attendez qu'il refroidisse (environ cinq minutes)
- ◆ Débranchez le balai vapeur de la prise murale.
- ◆ Videz le réservoir (3).
- ◆ Retirez le patin nettoyeur (6) et lavez-le pour le trouver propre à la prochaine utilisation (prenez soin de suivre les instructions de nettoyage imprimées sur le patin nettoyeur).
- ◆ Entourez le fil électrique autour des crochets (18 et 19).

Remarque : Le crochet du haut (19) pivote pour dégager facilement le fil.

- ◆ Coincez le fil au niveau de la prise dans la pince (20).
- ◆ Pour le ranger, placez le balai vapeur sur le support (7).

Remarque : Avec le manche (4) en position verticale, le fil enroulé correctement autour des crochets (18 et 19) et accroché sur la pince (20), votre balai vapeur est prêt à être rangé. Il existe aussi un crochet (21) sur la poignée (10) qui permet de suspendre le balai vapeur à un crochet mural. Vérifiez que le crochet mural peut supporter le poids du balai vapeur.

Nettoyage et entretien

Votre appareil Black & Decker a été conçu pour fonctionner pendant longtemps avec un minimum d'entretien. Un fonctionnement continu satisfaisant dépend d'un nettoyage régulier et d'un entretien approprié de l'appareil.

Attention ! Avant d'effectuer des réparations ou un nettoyage de l'appareil, éteignez-le et débranchez-le.

- ◆ Nettoyez régulièrement l'appareil à l'aide d'un chiffon doux humide.
- ◆ Pour les taches résistantes, vous pouvez utiliser un mélange d'eau et de savon imbibé sur un chiffon.

Entretien des patins nettoyeurs

Instructions – Pas d'assouplissant – Doit être parfaitement sec avant d'être réutilisé.

Attention ! Suivez les instructions de nettoyage imprimées sur l'étiquette du patin nettoyeur.

Remplacement des prises secteur (RU et Irlande uniquement)

Si une nouvelle prise secteur doit être installée :

- ◆ Mettez au rebut la vieille prise.
- ◆ Branchez le fil brun dans la borne de la nouvelle prise.
- ◆ Branchez le fil bleu à la borne neutre.
- ◆ Branchez le fil vert/jaune à la borne de terre.

Attention ! Suivez les instructions de montage fournies avec les prises de bonne qualité. Fusibles recommandés : 13 A.

Protection de l'environnement



Recyclage. Cet outil ne doit pas être jeté avec les déchets ménagers.

Si votre appareil/outil Black & Decker doit être remplacé ou si vous ne l'utilisez plus, ne le jetez pas avec les ordures ménagères. Songez à la protection de l'environnement et recyclez-le.



La collecte séparée des produits et des emballages usagés permet de recycler et de réutiliser des matériaux. La réutilisation de matériaux recyclés évite la pollution de l'environnement et réduit la demande de matières premières.

Des réglementations locales peuvent stipuler la collecte séparée des produits électriques et des produits ménagers, dans des déchetteries municipales ou par le revendeur lorsque vous achetez un nouveau produit.

Black & Decker offre une solution permettant de recycler les produits Black & Decker lorsqu'ils ont atteint la fin de leur cycle de vie. Pour pouvoir profiter de ce service, veuillez retourner votre produit à un réparateur agréé qui se chargera de le collecter pour nous.

Pour connaître l'adresse du réparateur agréé le plus proche de chez vous, contactez le bureau Black & Decker à l'adresse indiquée dans ce manuel. Vous pourrez aussi trouver une liste de réparateurs agréés de Black & Decker et de plus amples détails sur notre service après-vente sur le site Internet à l'adresse suivante : www.2helpU.com

Caractéristiques techniques

		FSM1600 FSM1600D (Type 1)	FSM1500 (Type 1)
Tension	V _{ac}	230	230
Puissance	W	1600	1500
Volume du réservoir	l	0,5	0,5
Poids	kg	2,52	2,52

Garantie

Black & Decker assure la qualité de ses produits et vous offre une garantie très élargie. Ce certificat de garantie est un document supplémentaire et ne peut en aucun cas se substituer à vos droits légaux. La garantie est valable sur tout le territoire des États Membres de l'Union Européenne et de la Zone de Libre Échange Européenne.

Si un produit Black & Decker s'avère défectueux en raison de matériaux en mauvaises conditions, d'une erreur humaine, ou d'un manque de conformité dans les 24 mois suivant la date d'achat, Black & Decker garantit le remplacement des pièces défectueuses, la réparation des produits usés ou cassés ou remplace ces produits à la convenance du client, sauf dans les circonstances suivantes :

- ◆ Le produit a été utilisé dans un but commercial, professionnel, ou a été loué;
- ◆ Le produit a été mal utilisé ou utilisé avec négligence;
- ◆ Le produit a subi des dommages à cause d'objets étrangers, de substances ou à cause d'accidents;
- ◆ Des réparations ont été tentées par des techniciens ne faisant pas partie du service technique de Black & Decker.

Pour avoir recours à la garantie, il est nécessaire de fournir une preuve d'achat au vendeur ou à un réparateur agréé. Pour connaître l'adresse du réparateur agréé le plus proche de chez vous, contactez le bureau Black & Decker à l'adresse indiquée dans ce manuel. Vous pourrez aussi trouver une liste de réparateurs agréés de Black & Decker et de plus amples détails sur notre service après-vente sur le site Internet à l'adresse suivante : www.2helpU.com

Visitez notre site Web www.blackanddecker.fr pour enregistrer votre nouveau produit Black & Decker et être informé des nouveaux produits et des offres spéciales. Pour plus d'informations concernant la marque Black & Decker et notre gamme de produits, consultez notre site www.blackanddecker.fr

Uso previsto

La scopa a vapore Black & Decker è stata progettata per igienizzare e pulire pavimenti in legno duro sigillati, laminato sigillato, linoleum, vinile, piastrelle in ceramica, pavimenti in pietra e marmo e per ravvivare la moquette.

L'elettrodomestico è stato progettato solo per uso domestico e all'interno.

Istruzioni di sicurezza



Attenzione! Leggere tutti gli avvisi di sicurezza e tutte le istruzioni. La mancata osservanza dei presenti avvisi e istruzioni potrebbe causare scosse elettriche, incendi e/o infortuni gravi.



Avvertenza! Quando si usano elettrodomestici alimentati elettricamente, osservare sempre le normali precauzioni di sicurezza per ridurre il rischio di incendio, scosse elettriche, lesioni personali e danni materiali.

- ◆ Leggere attentamente il presente manuale prima di usare l'elettrodomestico.
- ◆ L'uso previsto è descritto nel presente manuale. Se questo elettrodomestico viene usato con accessori o per usi diversi da quelli raccomandati nel presente manuale d'uso, si potrebbero verificare lesioni personali.
- ◆ Conservare il presente manuale per futura consultazione.

Utilizzo dell'elettrodomestico

- ◆ Non puntare il getto di vapore verso persone, animali, apparecchiature elettriche o prese di corrente.
- ◆ Non esporre l'elettrodomestico alla pioggia.
- ◆ Non immergere l'elettrodomestico in acqua.
- ◆ Non lasciare l'elettrodomestico incustodito.
- ◆ Non lasciare l'elettrodomestico collegato a una presa di corrente quando non è usato.
- ◆ Non tirare mai il filo di alimentazione per scollegare l'alimentatore dalla presa di corrente. Tenere il filo dell'elettrodomestico lontano da calore, olio e bordi taglienti.
- ◆ Non usare la scopa a vapore con le mani bagnate.
- ◆ Non tirarlo o trasportarlo per mezzo del filo di alimentazione, non usare il filo di alimentazione come manico, non chiudere la porta incastrando il filo di alimentazione, non tirare il filo di alimentazione attorno ad angoli aguzzi e non appoggiarlo su superfici calde.
- ◆ Non usare l'elettrodomestico in ambienti chiusi pieni di vapori esalati da solventi per vernici a olio, sostanze anti-tarme, polveri infiammabili o altri vapori esplosivi o tossici.
- ◆ Controllare il tipo di pavimentazione rivolgendosi al fabbricante.

- ◆ Non usare su pellame, mobili o pavimenti lucidati a cera, tessuti sintetici, velluto o altri tessuti delicati sensibili al vapore.



Avvertenza! Non usare su pavimenti in legno o in laminato non sigillati. Sulle superfici che sono state trattate con cera o su alcuni pavimenti senza cera, l'azione del calore e del vapore potrebbero eliminare la lucentezza. Si consiglia sempre di fare una prova su di un'area isolata della superficie da pulire prima di procedere. Consigliamo anche di controllare le istruzioni d'uso e manutenzione fornite dal fabbricante della pavimentazione.

- ◆ Non versare mai prodotti anticalcare, aromatici, alcolici o detersivi nella scopa a vapore per non danneggiarla o renderne poco sicuro l'impiego.
- ◆ Se l'interruttore automatico domestico scatta mentre si usa la funzione vapore, interrompere immediatamente l'uso del prodotto e rivolgersi al centro di assistenza clienti. (Fare attenzione al rischio di scosse elettriche.)
- ◆ L'elettrodomestico espelle vapore molto caldo per igienizzare l'area dove viene usato. Questo significa che la testa a vapore, i tamponi di pulitura e l'accessorio per la moquette diventano molto caldi durante l'impiego.
- ◆ **Attenzione!** Indossare sempre scarpe idonee durante l'impiego della scopa a vapore e quando se ne sostituiscono gli accessori. Non indossare pantofole o sandali aperti.
- ◆ Il coperchio potrebbe riscaldarsi durante l'impiego.
- ◆ Il vapore potrebbe fuoriuscire dall'elettrodomestico durante l'impiego.
- ◆ Prestare attenzione quando si usa questo elettrodomestico. NON toccare nessuna parte che potrebbe riscaldarsi durante l'impiego.
- ◆ Spegnerne l'elettrodomestico e riportare il manico in posizione verticale prima di togliere il tappo dal serbatoio dell'acqua.
- ◆ Per impiego esclusivamente sul pavimento, non usare l'elettrodomestico capovolto. L'elettrodomestico è stato progettato solo per uso domestico e all'interno.

Dopo l'impiego

- ◆ Scollegare l'elettrodomestico dalla presa di corrente e lasciare che si raffreddi prima di pulirlo.
- ◆ Quando non è usato, l'elettrodomestico deve essere conservato in un luogo asciutto.
- ◆ Gli elettrodomestici non devono essere riposti alla portata dei bambini.

Ispezione e riparazioni

- ◆ Prima di eseguire la manutenzione o la riparazione dell'elettrodomestico, scollegarlo dalla presa di corrente e lasciare che si raffreddi.
- ◆ Prima dell'impiego, controllare che l'elettrodomestico non sia danneggiato e non presenti parti difettose. Controllare che non vi siano parti rotte, che gli interruttori non siano danneggiati e che non vi siano altre condizioni che potrebbero avere ripercussioni sulle prestazioni.
- ◆ Controllare a intervalli regolari che il filo di alimentazione non sia danneggiato.
- ◆ Non usare l'elettrodomestico se alcune parti sono danneggiate o difettose.
- ◆ Far riparare o sostituire le parti danneggiate o difettose da un tecnico autorizzato.
- ◆ Non tentare di smontare o sostituire qualsiasi parte ad eccezione di quelle specificate nel presente manuale.

Sicurezza altrui

- ◆ Questo elettrodomestico non è stato progettato per impiego da parte di persone (o bambini) portatrici di handicap fisici, psichici o sensoriali o che non abbiano la dovuta esperienza o conoscenza, a meno che non siano seguite o opportunamente istruite sul suo impiego da parte di una persona responsabile della loro sicurezza.
- ◆ Controllare che i bambini non giochino con l'elettrodomestico.

Rischi residui.

Quando si usa l'elettrodomestico, possono esservi altri rischi residui che possono non essere stati contemplati negli avvisi di sicurezza allegati. Tali rischi possono sorgere a seguito di un uso prolungato o improprio, ecc.

Perfino adottando gli appositi regolamenti di sicurezza e utilizzando i dispositivi di sicurezza, certi rischi residui non possono essere evitati. Essi comprendono:

- ◆ Lesioni causate dal contatto con parti in movimento.
- ◆ Lesioni causate dal contatto con parti calde.
- ◆ Lesioni causate durante la sostituzione di parti o accessori.
- ◆ Lesioni causate dall'impiego prolungato dell'elettrodomestico. Quando si usa qualsiasi elettrodomestico per lunghi periodi, accertarsi di fare regolarmente delle pause.

Sicurezza elettrica



Avvertenza! Questo prodotto deve essere collegato a terra. Controllare sempre che l'alimentazione corrisponda alla tensione indicata sulla targhetta dei dati tecnici.

Le spine elettriche devono essere adatte alle prese. Evitare assolutamente di modificare la spina. L'uso di spine inalterate e delle prese corrispondenti riduce il rischio di scosse elettriche.

- ◆ **In caso di danneggiamento del filo di alimentazione, è necessario farlo riparare dal fabbricante o presso un centro assistenza Black & Decker autorizzato in modo da evitare eventuali pericoli.**

Cavi di prolunga e prodotti classe 1

- ◆ Usare un cavo a 3 conduttori dato che si tratta di un elettrodomestico classe 1 dotato di terra.
- ◆ È possibile usare un cavo lungo 30 m senza che si verifichi una perdita di potenza.

Etichette sull'elettrodomestico

Sull'elettrodomestico appaiono i seguenti pittogrammi:



Avvertenza! Per ridurre il rischio di infortuni, l'utente deve leggere il manuale d'uso.



Avvertenza! Pericolo di ustioni.

Caratteristiche

Si indicano di seguito le caratteristiche di cui questo elettrodomestico è dotato.

1. Interruttore di accensione
2. Manopola Auto Select™
3. Serbatoio acqua
4. Manico
5. Testa a vapore
6. Tamponi di pulitura
7. Base di appoggio
8. Accessorio per moquette (solo FSM1600 & FSM1600D)
9. Bricco (solo FSM1600 & FSM1600D)

Montaggio

Avvertenza! Prima di tentare una delle seguenti operazioni, verificare che l'elettrodomestico sia spento e scollegato dalla presa elettrica e che sia freddo e non contenga acqua.

Montaggio del manico (figg. A e B)

- ◆ Infilare l'impugnatura (10) nell'estremità superiore del manico (4) fino a quando scatta in sede.
- ◆ Infilare l'estremità inferiore del manico (4) nell'estremità superiore del corpo della scopa a vapore(11) fino a quando scatta in sede.

- ◆ Il manico può essere rimosso dal corpo della scopa a vapore, per poterla riporre più facilmente, premendo il pulsante di rilascio del tubo del manico (12) ed estraendo il manico (4) dal corpo della scopa a vapore (11).

Montaggio della testa a vapore (fig. C)

- ◆ Infilare l'estremità inferiore del corpo della scopa a vapore (11) sulla testa a vapore(5) fino a quando scatta in sede.
- ◆ La testa a vapore può essere rimossa dal corpo della scopa a vapore premendo il pulsante di rilascio sulla testa stessa (13) ed estraendo il corpo della scopa a vapore (11) dalla testa a vapore (5).

Montaggio di un tampone di pulitura (fig. D)

I tamponi di pulitura di ricambio sono reperibili presso il rivenditore Black & Decker (n. cat. FSMP20-XJ).

- ◆ Mettere un tampone di pulitura (6) sul pavimento con il lato con il velcro rivolto verso l'alto.
- ◆ Premere leggermente la scopa a vapore sul tampone di pulitura (6).

Attenzione! Appoggiare sempre la scopa a vapore sull'apposita base di appoggio (7) con il manico (4) in posizione verticale quando è ferma e accertarsi che sia spenta quando non è usata.

Rimozione di un tampone di pulitura (fig. E)

Attenzione! Indossare sempre scarpe idonee quando si cambia il tampone di pulitura sulla scopa a vapore. Non indossare pantofole o sandali aperti.

- ◆ Riportare il manico (4) in posizione verticale e spegnere la scopa a vapore.
- ◆ Appoggiare la scopa a vapore sulla base di appoggio e attendere fino a quando si raffredda (cinque minuti circa).
- ◆ Appoggiare la punta della scopa sulla linguetta di rimozione del tampone di pulitura (14) e premere con fermezza.
- ◆ Sollevare leggermente la scopa a vapore dal tampone di pulitura.

Attenzione! Appoggiare sempre la scopa a vapore sull'apposita base di appoggio (7) con il manico (4) in posizione verticale quando è ferma e accertarsi che sia spenta quando non è usata.

Montaggio dell'accessorio per moquette (fig. F) (solo FSM1600 & FSM1600D)

- ◆ Appoggiare l'accessorio per moquette sul pavimento.
- ◆ Premere leggermente la scopa a vapore sull'accessorio per moquette (8) fino a quando scatta in sede.

Attenzione! Appoggiare sempre la scopa a vapore sull'apposita base di appoggio (7) con il manico (4) in posizione verticale quando è ferma e accertarsi che sia spenta quando non è usata.

Smontaggio dell'accessorio per moquette (fig. G) (solo FSM1600 & FSM1600D)

Attenzione! Indossare sempre scarpe idonee quando si cambia l'accessorio per moquette sulla scopa a vapore. Non indossare pantofole o sandali aperti.

- ◆ Riportare il manico (4) in posizione verticale e spegnere la scopa a vapore.
- ◆ Appoggiare la scopa a vapore sulla base di appoggio e attendere fino a quando si raffredda (cinque minuti circa).
- ◆ Appoggiare la punta della scarpa sulla linguetta di rimozione dell'accessorio per moquette (15) e premere con fermezza.
- ◆ Sollevare leggermente la scopa a vapore dall'accessorio per moquette (8).

Attenzione! Appoggiare sempre la scopa a vapore sull'apposita base di appoggio (7) con il manico (4) in posizione verticale quando è ferma e accertarsi che sia spenta quando non è usata.

Rifornimento del serbatoio dell'acqua (figg. H, I e J)

Questa a scopa a vapore è dotata di sistema anticalcare che ne prolunga la durata.

Nota: Riempire il serbatoio con acqua di rubinetto pulita.

Nota: In zone con acqua dura si consiglia di usare acqua deionizzata.

- ◆ Accertarsi che l'elettrodomestico sia spento e scollegato dall'alimentazione elettrica prima di trasportarlo.
- ◆ Appoggiare la scopa a vapore sulla base di appoggio (7) con il manico (4) in posizione verticale.
- ◆ Togliere il tappo di rifornimento (16) ruotandolo in senso antiorario.
- ◆ Riempire il serbatoio (3) con acqua.

Avvertenza! Il serbatoio ha una capacità di 0,5 l. Non riempire il serbatoio oltre l'indice di riempimento massimo.

- ◆ Mettere il tappo di rifornimento (16) ruotandolo fermamente in senso orario.

Nota: Quando non è usato, il bricco può essere comodamente agganciato al manico (fig. J) (solo FSM1600 & FSM1600D)

Nota: Accertarsi che il tappo del serbatoio sia chiuso saldamente. Se il tappo del serbatoio non è montato in modo corretto, la scopa a vapore non parte.

Utilizzo

Accensione e spegnimento

- ◆ Per accendere l'elettrodomestico, premere l'interruttore di accensione (1). La scopa a vapore impiega 15 secondi circa per riscaldarsi.

Nota: Quando la scopa viene inizialmente accesa, il serbatoio dell'acqua è color rosso. Quando la scopa a vapore è pronta per essere usata, il serbatoio dell'acqua è color blu.

- ◆ Premere il pulsante di accensione per spegnere l'elettrodomestico(1).

Attenzione! Non lasciare mai la scopa a vapore a lungo nel medesimo punto di una qualsiasi pavimentazione. Appoggiare sempre la scopa a vapore sull'apposita base di appoggio (7) con il manico (4) in posizione verticale quando è ferma e accertarsi che sia spenta quando non è usata.

Attenzione! Svuotare sempre la scopa a vapore dopo l'impiego.

Tecnologia Autoselect™

Questa scopa a vapore è dotata di manopola Autoselect™ (2) che mostra le varie applicazioni di pulitura. Esse sono usate per selezionare la corretta modalità di funzionamento per l'operazione di pulitura desiderata.

Scegliere una delle applicazioni seguenti mediante la manopola Autoselect™ (2):

	Legno/laminato
	Pietra/marmo
	Piastrelle/vinile

La scopa a vapore selezionerà la quantità di vapore necessaria per una determinata operazione di pulitura.

Consigli per un utilizzo ottimale

In generale

Attenzione! Non usare mai la scopa a vapore senza aver prima montato un tampone di pulitura.

- ◆ Passare sempre l'aspirapolvere oppure scopare il pavimento prima di usare la scopa a vapore.
- ◆ Il modo più semplice per usare la scopa consiste nell'inclinare il manico a 45° e pulire lentamente, trattando un'area piccola alla volta.
- ◆ Non usare detersivi chimici con la scopa a vapore. Per eliminare macchie ostinate dalle pavimentazioni in vinile o linoleum, è possibile pretrattarle con un detersivo neutro e un po' di acqua prima di usare la scopa a vapore.

Pulitura a vapore

- ◆ Mettere un tampone di pulitura (6) sul pavimento con il lato con il velcro rivolto verso l'alto.
- ◆ Sollevare la scopa a vapore dalla base di appoggio (7) e premerla leggermente sul tampone di pulitura (6).
- ◆ Appoggiare la scopa a vapore sulla base di appoggio.
- ◆ Collegare la scopa a vapore alla presa di corrente.
- ◆ Ruotare la manopola Autoselect™ (2) sulla regolazione richiesta.
- ◆ Premere il pulsante di accensione (1). La scopa a vapore impiega 15 secondi circa per riscaldarsi.

- ◆ Tirando indietro il manico (4) si attiva la pompa del vapore. Dopo alcuni secondi il vapore comincia a fuoriuscire dalla testa a vapore.
- ◆ Ci vogliono alcuni secondi prima che il vapore penetri nel tampone di pulitura. La scopa a vapore scorrerà ora facilmente sulla superficie da igienizzare/pulire.
- ◆ Spingere e tirare lentamente la scopa a vapore sul pavimento per pulire a fondo ogni sezione.

Nota: Durante l'impiego è possibile spegnere la pompa del vapore riportando il manico in posizione verticale; questo comodo accorgimento consente di appoggiare la scopa a vapore sulla base di appoggio per un breve periodo in modo da poter spostare i mobili e quindi di continuare a pulire senza dover spegnere l'elettrodomestico.

- ◆ Dopo aver finito di usare la scopa a vapore, riportare il manico (4) in posizione verticale, spegnerla, appoggiarla sulla base di appoggio (7) e attendere fino a quando si raffredda (cinque minuti circa).

Attenzione! È importante controllare il livello dell'acqua nel serbatoio dell'acqua. Per rifornire il serbatoio dell'acqua e continuare a igienizzare/pulire, riportare il manico (4) in posizione verticale e spegnere la scopa a vapore. Scollegare l'elettrodomestico dalla presa di corrente a parete e rifornire il serbatoio dell'acqua (3) usando il bricco (9) fornito.

Attenzione! Non lasciare mai la scopa a vapore a lungo nel medesimo punto di una qualsiasi pavimentazione. Appoggiare sempre la scopa a vapore sull'apposita base di appoggio (7) con il manico (4) in posizione verticale quando è ferma e accertarsi che sia spenta quando non è usata.

Per ravvivare la moquette

- ◆ Mettere un tampone di pulitura (6) sul pavimento con il lato con il velcro rivolto verso l'alto.
- ◆ Sollevare la scopa a vapore dalla base di appoggio (7) e premerla leggermente sul tampone di pulitura (6).
- ◆ Appoggiare l'accessorio per tappeti (8) sul pavimento.
- ◆ Premere leggermente la scopa a vapore sull'accessorio per moquette (8) fino a quando scatta in sede.
- ◆ Appoggiare la scopa a vapore sulla base di appoggio. (7)
- ◆ Collegare la scopa a vapore alla presa di corrente.
- ◆ Ruotare la manopola Autoselect™ (2) sulla regolazione per Legno/laminato.
- ◆ Premere il pulsante di accensione (1). La scopa a vapore impiega 15 secondi circa per riscaldarsi.
- ◆ Tirando indietro il manico (4) si attiva la pompa del vapore. Dopo alcuni secondi il vapore comincia a fuoriuscire dalla testa a vapore.
- ◆ Spingere e tirare lentamente la scopa a vapore sulla moquette per ravvivare ogni sezione.

Nota: Durante l'impiego è possibile spegnere la pompa del vapore riportando il manico (4) in posizione verticale; questo comodo accorgimento consente di appoggiare la scopa a vapore sulla base di appoggio (7) per un breve periodo in modo da poter spostare i mobili e quindi continuare a pulire senza dover spegnere l'elettrodomestico.

- ◆ Dopo aver finito di usare la scopa a vapore, riportare il manico (4) in posizione verticale, spegnerla, appoggiarla sulla base di appoggio (7) e attendere fino a quando si raffredda (cinque minuti circa).

Attenzione! È importante controllare il livello dell'acqua nel serbatoio dell'acqua. Per rifornire il serbatoio dell'acqua e continuare a igienizzare/pulire, riportare il manico (4) in posizione verticale e spegnere la scopa a vapore. Scollegare l'elettrodomestico dalla presa di corrente a parete e rifornire il serbatoio dell'acqua usando il bricco fornito.

Attenzione! Non lasciare mai la scopa a vapore a lungo nel medesimo punto di una qualsiasi pavimentazione. Appoggiare sempre la scopa a vapore sull'apposita base di appoggio (7) con il manico (4) in posizione verticale quando è ferma e accertarsi che sia spenta quando non è usata.

Dopo l'impiego (figg. K e L)

- ◆ Riportare il manico (4) in posizione verticale e spegnere la scopa a vapore.
- ◆ Appoggiare la scopa a vapore sulla base di appoggio (7) e attendere fino a quando si raffredda (cinque minuti circa).
- ◆ Scollegare la scopa a vapore dalla presa di corrente a parete.
- ◆ Svuotare il serbatoio dell'acqua (3).
- ◆ Rimuovere il tampone di pulitura (6) e lavarlo pronto per l'impiego successivo. (Accertarsi di seguire le istruzioni di lavaggio stampate sul tampone di pulitura.)
- ◆ Avvolgere il filo di alimentazione attorno ai ganci fissa filo (18 e 19).

Nota: Il gancio fissa filo superiore (19) ruota per rilasciare facilmente il filo di alimentazione pronto per l'impiego successivo.

- ◆ Agganciare il filo di alimentazione nel gancio fissa filo (20) vicino alla spina.
- ◆ Appoggiare la scopa a vapore sulla base di appoggio (7) per riporla.

Nota: Quando il manico (4) è in posizione verticale, il filo di alimentazione è avvolto in modo ordinato attorno ai ganci fissa filo (18 e 19) ed è fissato nell'apposito fermo (20), la scopa a vapore sta in piedi da sola per essere riposta. Altrimenti, vi è una staffa per appenderla (21) incorporata nell'impugnatura (10) che consentirà di appendere la scopa a vapore a un gancio idoneo a parete. Accertarsi sempre che il gancio a parete sia in grado di sorreggere in modo sicuro il peso della scopa a vapore.

Pulizia e manutenzione

Questo elettrodomestico Black & Decker con filo di alimentazione è stato progettato per funzionare a lungo con una manutenzione minima. Per ottenere prestazioni sempre soddisfacenti occorre avere cura dell'elettrodomestico e sottoporlo a manutenzione periodica.

Avvertenza! Prima di eseguire la manutenzione o di pulire elettrodomestici con filo di alimentazione, scollegarli dalla presa di corrente.

- ◆ Strofinare l'elettrodomestico con un panno umido e morbido.
- ◆ Per le macchie ostinate è possibile usare una soluzione di acqua e sapone neutro in cui inumidire lo straccio.

Cura dei tamponi di pulitura

Istruzioni di lavaggio - Non usare ammorbidenti - Lasciare che sia completamente asciutto prima di riutilizzarlo.

Attenzione! Seguire le istruzioni di lavaggio stampate sull'etichetta del tampone di pulitura.

Sostituzione della spina (solo Regno Unito e Irlanda)

Se è necessario montare una nuova spina:

- ◆ smaltire in tutta sicurezza quella vecchia.
- ◆ Collegare il conduttore marrone al morsetto sotto tensione della nuova spina.
- ◆ Collegare il conduttore blu al morsetto neutro.
- ◆ Collegare il conduttore verde/giallo al morsetto di terra.

Avvertenza! Seguire le istruzioni fornite con le spine di buona qualità. Fusibile consigliato: 13 A.

Protezione dell'ambiente



Raccolta differenziata. Questo prodotto non deve essere smaltito con i normali rifiuti domestici.

Nel caso in cui l'elettrodomestico Black & Decker debba essere sostituito o non sia più necessario, non smaltirlo con i normali rifiuti domestici. Metterlo da parte per la raccolta differenziata.



La raccolta differenziata dei prodotti e degli imballaggi utilizzati consente il riciclaggio dei materiali e il loro continuo utilizzo. Il riutilizzo dei materiali riciclati favorisce la protezione dell'ambiente prevenendo l'inquinamento e riduce il fabbisogno di materie prime.

Seguire la regolamentazione locale per la raccolta differenziata dei prodotti elettrici che può prevedere punti di raccolta o la consegna dell'elettrodomestico al rivenditore presso il quale viene acquistato un nuovo prodotto.

Black & Decker offre ai propri clienti la possibilità di riciclare i prodotti Black & Decker che hanno esaurito la loro vita di servizio. Per usufruire di tale servizio, è sufficiente restituire il prodotto a qualsiasi tecnico autorizzato, incaricato della raccolta per conto dell'azienda.

Per individuare il tecnico autorizzato più vicino, rivolgersi alla sede Black & Decker locale, presso il recapito indicato nel presente manuale. Altrimenti, un elenco completo di tutti i tecnici autorizzati Black & Decker e i dettagli completi sui contatti e i servizi post-vendita sono disponibili su Internet all'indirizzo: www.2helpU.com

Dati tecnici

		FSM1600 FSM1600D (Tipo 1)	FSM1500 (Tipo 1)
Tensione	V _{ac}	230	230
Potenza	W	1600	1500
Capacità serbatoio	l	0,5	0,5
Peso	kg	2,52	2,52

Garanzia

Certa della qualità dei suoi prodotti, Black & Decker offre una garanzia eccezionale. Il presente certificato di garanzia è complementare ai diritti legali e non li pregiudica in alcun modo. La garanzia è valida entro il territorio degli Stati membri dell'Unione Europea e dell'EFTA (European Free Trade Area).

Se un prodotto Black & Decker risulta difettoso per qualità del materiale, della costruzione o per mancata conformità entro 24 mesi dalla data di acquisto, Black & Decker garantisce la sostituzione delle parti difettose, provvede alla riparazione dei prodotti se ragionevolmente usurati oppure alla loro sostituzione, in modo da ridurre al minimo il disagio del cliente a meno che:

- ◆ il prodotto non sia stato destinato a usi commerciali, professionali o al noleggio;
- ◆ il prodotto non sia stato usato in modo improprio o scorretto;
- ◆ il prodotto non abbia subito danni causati da oggetti o sostanze estranee oppure incidenti;
- ◆ il prodotto non abbia subito tentativi di riparazione non effettuati da tecnici autorizzati né dall'assistenza Black & Decker.

Per attivare la garanzia è necessario esibire la prova di acquisto al venditore o al tecnico autorizzato. Per individuare il tecnico autorizzato più vicino, rivolgersi alla sede Black & Decker locale, presso il recapito indicato nel presente manuale. Altrimenti, un elenco completo di tutti i tecnici autorizzati Black & Decker e i dettagli completi sui contatti e i servizi post-vendita sono disponibili su Internet all'indirizzo: www.2helpU.com

I clienti che desiderano registrare il nuovo prodotto Black & Decker e ricevere gli aggiornamenti sui nuovi prodotti e le offerte speciali, sono invitati a visitare il sito Web (www.blackanddecker.it). Ulteriori informazioni sul marchio e la gamma di prodotti Black & Decker sono disponibili all'indirizzo www.blackanddecker.it.

Beoogd gebruik

De Black & Decker stoomreiniger is ontworpen voor het reinigen van vloeren van geseald hardhout, laminaat, linoleum, keramische tegels, steen of marmer en voor het opruimen van tapijten. Het apparaat is uitsluitend bestemd voor gebruik binnenshuis.

Veiligheidsinstructies



Waarschuwing! Lees alle veiligheids-waarschuwingen en alle instructies. Wanneer de volgende waarschuwingen en voorschriften niet in acht worden genomen, kan dit een elektrische schok, brand of ernstig letsel tot gevolg hebben.



Waarschuwing! Bij apparaten voor gebruik op netspanning moeten bepaalde elementaire voorzorgsmaatregelen, waaronder de navolgende, in acht worden genomen om het risico op brand, elektrische schokken, persoonlijk letsel en materiële schade tot een minimum te beperken.

- ◆ Lees deze handleiding zorgvuldig door voordat u het apparaat in gebruik neemt.
- ◆ In deze handleiding wordt ingegaan op het beoogde gebruik. Het gebruik van andere accessoires of hulpstukken dan wel de uitvoering van andere handelingen dan in deze gebruikershandleiding worden aanbevolen, kan tot persoonlijk letsel leiden.
- ◆ Bewaar deze handleiding zorgvuldig zodat u deze nog eens kunt raadplegen.

Gebruik van het apparaat

- ◆ Richt de stoom niet op mensen, dieren, elektrische apparaten of stopcontacten.
- ◆ Stel het apparaat niet bloot aan regen.
- ◆ Dompel het apparaat niet onder in water.
- ◆ Laat het apparaat niet onbeheerd achter.
- ◆ Laat het apparaat niet aangesloten op het stopcontact wanneer u het niet gebruikt.
- ◆ Trek de stekker nooit aan het snoer uit het stopcontact. Houd het apparaat uit de buurt van warmtebronnen, olie en scherpe randen.
- ◆ Bedien de stoomreiniger nooit met natte handen.
- ◆ Trek of draag het apparaat nooit aan het snoer, gebruik het snoer niet als handvat, sluit geen deuren op het snoer, trek het snoer niet langs scherpe randen en stel het snoer niet bloot aan warme oppervlakken.
- ◆ Gebruik het apparaat niet in een afgesloten ruimte die gevuld is met dampen afgegeven door verfverdunder op oliebasis, sommige anti-motstoffen, ontvlambaar stof of andere explosieve of giftige dampen.

- ◆ Controleer het vloertype bij de fabrikant.
- ◆ Gebruik de stoomreiniger niet op leer, met was gepolijste meubels of vloeren, synthetische vezels, fluweel of andere fijne stoomgevoelige materialen.



Waarschuwing! Gebruik het apparaat niet op niet-geseald hout of niet-geseald laminaatvloeren. Op oppervlakken die behandeld zijn met was of op sommige niet-wasvloeren, kan de glans verdwijnen door de hitte en het stoom. Het wordt altijd aangeraden eerst een klein onopvallend stukje van het oppervlak dat moet worden gereinigd, te testen voordat u het hele oppervlak reinigt. We raden ook aan om de gebruiks- en onderhoudsinstructies van de fabrikant te controleren.

- ◆ Giet nooit ontkalkingsmiddel, alcoholische producten of reinigingsmiddelen in de stoomreiniger. Deze producten kunnen het apparaat beschadigen of onveilig voor gebruik maken.
- ◆ Als de stroomonderbreker in uw huis wordt geactiveerd terwijl u de stoomfunctie gebruikt, moet u het apparaat niet meer gebruiken en moet u contact opnemen met de klantenservice. (Pas op voor elektrische schokken.)
- ◆ Het apparaat geeft zeer hete stoom af om het oppervlak te reinigen. Dit betekent dat de stoomkop, de reinigingsdoeken en het tapijthulpstuk zeer warm worden tijdens gebruik.
- ◆ **Let op!** Draag altijd geschikte schoenen wanneer u de stoomreiniger gebruikt en wanneer u de accessoires op de stoomreiniger verwisselt. Draag geen slippers of schoeisel met open tenen.
- ◆ Het deksel wordt heet tijdens het gebruik.
- ◆ Er kan stoom van het apparaat af komen tijdens gebruik.
- ◆ U moet altijd voorzichtig zijn als u dit apparaat gebruikt. Raak GEEN onderdelen aan die warm worden tijdens gebruik.
- ◆ Schakel het apparaat uit en zet de steel recht op voordat u het deksel van de watertank verwijdert.
- ◆ Alleen voor gebruik op vloeren. Gebruik de eenheid niet ondersteboven. Het apparaat is uitsluitend bestemd voor gebruik binnenshuis.

Na gebruik

- ◆ Trek de stekker van het apparaat uit het stopcontact en laat het apparaat afkoelen voordat u het schoonmaakt.
- ◆ Bewaar het apparaat na gebruik op een droge plaats.
- ◆ Houd het apparaat buiten het bereik van kinderen, ook wanneer het is opgeborgen.

Inspectie en reparaties

- ◆ Schakel het apparaat uit, haal de stekker uit het stopcontact en laat het apparaat afkoelen voordat er onderhoud of een reparatie wordt uitgevoerd.
- ◆ Controleer het apparaat vóór gebruik op beschadiging en defecten. Controleer het vooral op defecte onderdelen, schade aan de schakelaars en andere omstandigheden die de werking ervan kunnen beïnvloeden.
- ◆ Controleer het snoer regelmatig op beschadiging.
- ◆ Gebruik het apparaat niet in geval van een of meer beschadigde of defecte onderdelen.
- ◆ Laat beschadigde of defecte onderdelen door een van onze servicecentra repareren of vervangen.
- ◆ Probeer nooit andere onderdelen te verwijderen of te vervangen dan in deze handleiding zijn vermeld.

Veiligheid van anderen

- ◆ Dit apparaat mag niet worden gebruikt door personen (waaronder kinderen) met een lichamelijke of geestelijke beperking of die geen ervaring met of kennis van dit apparaat hebben, tenzij ze onder toezicht staan of instructies krijgen wat betreft het gebruik van het apparaat van een persoon die verantwoordelijk is voor hun veiligheid.
- ◆ Houd toezicht op kinderen om ervoor te zorgen dat zij niet met het apparaat gaan spelen.

Overige risico's

Er kunnen zich tijdens het gebruik van het gereedschap ook andere risico's voordoen, die misschien niet in de bijgevoegde veiligheidswaarschuwingen worden vermeld. Deze risico's kunnen zich voordoen als gevolg van onoordeelkundig gebruik, langdurig gebruik, enz.

Zelfs als de veiligheidsvoorschriften in acht worden genomen en de veiligheidsvoorzieningen worden geïmplementeerd, kunnen bepaalde risico's niet worden vermeden. Deze omvatten:

- ◆ Verwondingen die worden veroorzaakt door het aanraken van bewegende onderdelen.
- ◆ Verwondingen die worden veroorzaakt door het aanraken van warme onderdelen.
- ◆ Verwondingen die worden veroorzaakt bij het vervangen van onderdelen of accessoires.
- ◆ Verwondingen die worden veroorzaakt door langdurig gebruik van het apparaat. Als u lange tijd met het apparaat werkt, is het raadzaam om regelmatig een pauze in te lassen.

Elektrische veiligheid



Waarschuwing! Dit product moet geaard zijn. Controleer altijd de netspanning overeenkomst met de waarde op het typeplaatje.

De netstekker moet in het stopcontact passen. De stekker mag in geen geval worden omgebouwd. Niet-omgebouwde stekkers en passende stopcontacten beperken het risico op een elektrische schok.

- ◆ **Als het netsnoer is beschadigd, moet dit worden vervangen door de fabrikant of een Black & Decker-servicecentrum om gevaren te voorkomen.**

Verlengsnoeren & product van klasse 1

- ◆ **U moet een 3-aderig snoer gebruiken omdat het apparaat geaard en van klasse 1 is.**
- ◆ **U kunt een snoer van maximaal 30 m gebruiken zonder vermogensverlies.**

Labels op het apparaat

Het apparaat is voorzien van de volgende pictogrammen:



Waarschuwing! De gebruiker moet de instructiehandleiding lezen om het risico op letsel te beperken.



Waarschuwing! Gevaar voor brandwonden.

Onderdelen

Het apparaat kan de volgende onderdelen bevatten.

1. AAN/UIT-schakelaar
2. Autoslect™-knop
3. Watertank
4. Steel
5. Stoomkop
6. Reinigingsdoek
7. Rustmat
8. Tapijtglijder (alleen FSM1600 & FSM1600D)
9. Vulbeker (alleen FSM1600 & FSM1600D)

Montage

Waarschuwing! Voordat u de volgende handelingen uitvoert, moet u controleren of het apparaat is uitgeschakeld en losgekoppeld en of het apparaat is afgekoeld en geen water meer bevat.

De steel vastmaken (Afb. A en B)

- ◆ Schuif de handgreep (10) in de bovenkant van de steel (4) totdat deze vastklikt.
- ◆ Schuif de onderkant van de steel (4) in de bovenkant van de romp van de stoomreiniger (11) totdat deze vastklikt.

- ◆ De steel kan worden verwijderd van de romp van de stoomreiniger voor overbergemak door op de ontgrendelingsknop voor de steel (12) te drukken en de steel (4) uit de romp van de stoomreiniger (11) te trekken.

De stoomkop monteren (Afb. C)

- ◆ Schuif de onderkant van de romp van de stoomreiniger (11) op de stoomkop (5) totdat deze vastklikt.
- ◆ De stoomkop kan worden verwijderd van de romp van de stoomreiniger door op de ontgrendelingsknop voor de stoomkop (13) te drukken en de romp van de stoomreiniger (11) van de stoomkop (5) te trekken.

Een reinigingsdoek plaatsen (Afb. D)

Vervangende reinigingsdoeken zijn verkrijgbaar via uw Black & Decker-leverancier (cat. nr. FSM20-XJ).

- ◆ Plaats een reinigingsdoek (6) op de vloer met de 'haak&lus'-zijde naar boven gericht.
- ◆ Druk de stoomkop licht op de reinigingsdoek (6).

Let op! Plaats de stoomreiniger altijd op de rustmat (7) met de steel (4) rechtop wanneer deze stilstaat en zorg ervoor dat de stoomreiniger is uitgeschakeld wanneer u deze niet gebruikt.

Een reinigingsdoek verwijderen (Afb. E)

Let op! Draag altijd geschikte schoenen wanneer u de reinigingsdoeken verwisselt op de stoomreiniger. Draag geen slippers of schoeisel met open tenen.

- ◆ Zet de steel (4) rechtop en schakel de stoomreiniger 'UIT'.
- ◆ Plaats de stoomreiniger op de rustmat en wacht totdat deze is afgekoeld. (Dit duurt ongeveer 5 minuten.)
- ◆ Plaats de voorkant van uw schoen op de verwijderingslip van de reinigingsdoek (14) en druk stevig omlaag.
- ◆ Til de stoomreiniger van de reinigingsdoek.

Let op! Plaats de stoomreiniger altijd op de rustmat (7) met de steel (4) rechtop wanneer deze stilstaat en zorg ervoor dat de stoomreiniger is uitgeschakeld wanneer u deze niet gebruikt.

De tapijtglijder monteren (Afb. F) (alleen FSM1600 & FSM1600D)

- ◆ Plaats de tapijtglijder op de vloer.
- ◆ Druk de stoomreiniger licht op de tapijtglijder (8) totdat deze vastklikt.

Let op! Plaats de stoomreiniger altijd op de rustmat (7) met de steel (4) rechtop wanneer deze stilstaat en zorg ervoor dat de stoomreiniger is uitgeschakeld wanneer u deze niet gebruikt.

De tapijtglijder verwijderen (Afb. F) (alleen FSM1600 & FSM1600D)

Let op! Draag altijd geschikte schoenen wanneer u de tapijtglijder verwijdert van de stoomreiniger. Draag geen slippers of schoeisel met open tenen.

- ◆ Zet de steel (4) rechtop en schakel de stoomreiniger 'UIT'.

- ◆ Plaats de stoomreiniger op de rustmat en wacht totdat deze is afgekoeld. (Dit duurt ongeveer 5 minuten.)
- ◆ Plaats de voorkant van uw schoen op de verwijderingslip van de tapijtglijder (15) en druk stevig omlaag.
- ◆ Til de stoomreiniger van de tapijtglijder (8).

Let op! Plaats de stoomreiniger altijd op de rustmat (7) met de steel (4) rechtop wanneer deze stilstaat en zorg ervoor dat de stoomreiniger is uitgeschakeld wanneer u deze niet gebruikt.

De watertank vullen (Afb. H, I en J)

Deze stoomreiniger is uitgerust met een anti-kalksysteem, waardoor de levensduur van het systeem wordt verlengd.

Opmerking: Vul de watertank met schoon kraanwater.

Opmerking: In gebieden met zeer hard water wordt het gebruik van gedeïoniseerd water aangeraden.

- ◆ Zorg ervoor dat het apparaat is uitgeschakeld en de stekker uit het stopcontact is gehaald.
- ◆ Plaats de stoomreiniger op de rustmat (7) met de steel (4) rechtop.
- ◆ Draai het vuldeksel (16) linksom om dit te verwijderen.
- ◆ Vul de tank (3) met water.

Waarschuwing! De tank heeft een capaciteit van 0,5 liter. Vul de tank niet boven de vulaanduiding Max.

- ◆ Draai het vuldeksel (16) stevig rechtsom om dit vast te zetten.

Opmerking: Wanneer het apparaat niet in gebruik is, kan de vulbeker worden vastgeklemd aan de steel voor overbergemak (Afb. J) (alleen FSM1600 & FSM1600D)

Opmerking: Zorg dat de vuldop goed vast zit. Wanneer de vuldop niet goed is geplaatst, zal de stoomreiniger niet starten.

Gebruik

In- en uitschakelen

- ◆ Druk op de AAN/UIT-knop (1) om het apparaat in te schakelen. Het duurt ongeveer 15 seconden voordat de stoomreiniger is opgewarmd.

Opmerking: Wanneer de stoomreiniger voor het eerst wordt ingeschakeld, gloeit het waterreservoir rood. Wanneer de stoomreiniger klaar is voor gebruik, geeft het waterreservoir een blauwe gloed af.

- ◆ Druk op de AAN/UIT-knop (1) om het apparaat uit te schakelen.

Let op! Laat de stoomreiniger nooit langere tijd op één punt van het oppervlak staan. Plaats de stoomreiniger altijd op de rustmat (7) met de steel (4) rechtop wanneer deze stilstaat en zorg ervoor dat de stoomreiniger is uitgeschakeld wanneer u deze niet gebruikt.

Let op! Leeg de stoomreiniger altijd na gebruik.

Autoselect™-technologie

Deze stoomreiniger is uitgerust met een Autoselect™-knop (2) waarop verschillende reinigingstoepassingen zijn afgebeeld. Hiermee kunt u de juiste gebruiksmodus voor elk reinigingsdoel selecteren.

Selecteer een van de volgende toepassingen met de Autoselect™-knop (2):

	Hout/Laminaat
	Steen/Marmer
	Tegels/Vinyl

De stoomreiniger selecteert de juiste hoeveelheid stoom die nodig is voor het geselecteerde reinigingsdoel.

Tips voor optimaal gebruik

Algemeen

Let op! Gebruik de stoomreiniger nooit voordat u een reinigingsdoek hebt aangebracht.

- ◆ Veeg of stofzuig de vloer altijd voordat u de stoomreiniger gebruikt.
- ◆ De gemakkelijkste manier om het apparaat te gebruiken is door de steel 45° te kantelen en langzaam schoon te maken, waarbij u telkens kleine stukjes schoonmaakt.
- ◆ Gebruik geen chemische schoonmaakmiddelen in combinatie met de stoomreiniger. U kunt vinyl- of linoleumvloeren voorbehandelen met een mild reinigingsmiddel en wat water voordat u de stoomreiniger gebruikt, om hardnekkige vlekken te verwijderen.

Stoomreinigen

- ◆ Plaats een reinigingsdoek (6) op de vloer met de 'haak&lus'-zijde naar boven gericht.
- ◆ Til de stoomreiniger van de rustmat (7) en druk deze licht op de reinigingsdoek (6).
- ◆ Plaats de stoomreiniger op de rustmat.
- ◆ Sluit de stoomreiniger aan op het stopcontact.
- ◆ Draai de Autoselect™-knop (2) naar de gewenste instelling.
- ◆ Druk op de AAN/UIT-knop (1). Het duurt ongeveer 15 seconden voordat de stoomreiniger is opgewarmd.
- ◆ Wanneer u de steel (4) naar achter trekt, wordt de stoompomp geactiveerd. Na een paar seconden begint er stoom uit de stoomkop te komen.
- ◆ Het duurt een aantal seconden voordat de stoom in de reinigingsdoek komt. De stoomreiniger glijdt nu gemakkelijk over het oppervlak dat moet worden gereinigd.

- ◆ Duw en trek de stoomreiniger langzaam over de vloer om elk deel grondig te stoomreinigen.

Opmerking: Tijdens het gebruik kunt u de stoompomp uitschakelen door de steel weer recht op te plaatsen. Deze handige functie geeft u de mogelijkheid om de stoomreiniger korte tijd op de rustmat te plaatsen, zodat u meubels en dergelijke kunt verplaatsen en dan kunt doorgaan met de schoonmaak, zonder dat u het apparaat hoeft uit te schakelen.

- ◆ Wanneer u klaar bent met de stoomreiniger, zet u de steel (4) recht op, schakelt u het apparaat 'UIT', plaatst u het op de rustmat (7) en wacht u totdat de stoomreiniger is afgekoeld. (Dit duurt ongeveer 5 minuten.)

Let op! Het is belangrijk om het waterniveau in de watertank in de gaten te houden. Als u de watertank wilt bijvullen en wilt doorgaan met reinigen, zet u de steel (4) recht op en schakelt u de stoomreiniger 'UIT'. Haal de stekker uit het stopcontact en vul de watertank (3) bij met de meegeleverde vulbeker (9). **Let op!** Laat de stoomreiniger nooit langere tijd op één punt van het oppervlak staan. Plaats de stoomreiniger altijd op de rustmat (7) met de steel (4) recht op wanneer deze stilstaat en zorg ervoor dat de stoomreiniger is uitgeschakeld wanneer u deze niet gebruikt.

Tapijtopfrissing

- ◆ Plaats een reinigingsdoek (6) op de vloer met de 'haak&lus'-zijde naar boven gericht.
- ◆ Til de stoomreiniger van de rustmat (7) en druk deze licht op de reinigingsdoek (6).
- ◆ Plaats de tapijtglijder (8) op de vloer.
- ◆ Druk de stoomreiniger licht op de tapijtglijder (8) totdat deze vastklikt.
- ◆ Plaats de stoomreiniger op de rustmat. (7)
- ◆ Sluit de stoomreiniger aan op het stopcontact.
- ◆ Draai de Autoselect™-knop (2) naar de instelling Hout/Laminaat.
- ◆ Druk op de AAN/UIT-knop (1). Het duurt ongeveer 15 seconden voordat de stoomreiniger is opgewarmd.
- ◆ Wanneer u de steel (4) naar achter trekt, wordt de stoompomp geactiveerd. Na een paar seconden begint er stoom uit de stoomkop te komen.
- ◆ Duw en trek de stoomreiniger langzaam over het tapijt om elk deel grondig op te frissen.

Opmerking: Tijdens het gebruik kunt u de stoompomp uitschakelen door de steel (4) weer recht op te plaatsen. Deze handige functie geeft u de mogelijkheid om de stoomreiniger korte tijd op de rustmat (7) te plaatsen, zodat u meubels en dergelijke kunt verplaatsen, zonder dat u het apparaat hoeft uit te schakelen.

- ◆ Wanneer u klaar bent met de stoomreiniger, zet u de steel (4) recht op, schakelt u het apparaat 'UIT', plaatst u het op de rustmat (7) en wacht u totdat de stoomreiniger is afgekoeld. (Dit duurt ongeveer 5 minuten.)

Let op! Het is belangrijk om het waterniveau in de watertank in de gaten te houden. Als u de watertank wilt bijvullen en wilt doorgaan met reinigen, zet u de steel (4) rechtop en schakel u de stoomreiniger 'UIT'. Haal de stekker uit het stopcontact en vul de watertank bij met de meegeleverde vulbeker.

Let op! Laat de stoomreiniger nooit langere tijd op één punt van het oppervlak staan. Plaats de stoomreiniger altijd op de rustmat (7) met de steel (4) rechtop wanneer deze stilstaat en zorg ervoor dat de stoomreiniger is uitgeschakeld wanneer u deze niet gebruikt.

Na gebruik (Afb. K en L)

- ◆ Zet de steel (4) rechtop en schakel de stoomreiniger 'UIT'.
- ◆ Plaats de stoomreiniger op de rustmat (7) en wacht totdat deze is afgekoeld. (Dit duurt ongeveer 5 minuten.)
- ◆ Haal de stekker uit het stopcontact.
- ◆ Leeg de watertank (3).
- ◆ Verwijder de reinigingsdoek (6) en was deze voor een volgend gebruik. (Zorg dat u de wasinstructies volgt die op de reinigingsdoek zijn gedrukt.)
- ◆ Wind het snoer om de opberghaken (18 en 19).

Opmerking: De bovenste opberghaak (19) kan worden gedraaid zodat het snoer gemakkelijk kan worden afgewikkeld voor een volgend gebruik.

- ◆ Klem het snoer vlak bij de stekker vast met de opbergklem (20).
- ◆ Plaats de stoomreiniger op de rustmat (7) om de reiniger op te bergen.

Opmerking: Met de steel (4) rechtop, het snoer netjes om de opberghaken (18 en 19) gewikkeld en vastgeklemd met de opbergklem (20) kan de stoomreiniger losstaand worden opgeborgen. U kunt ook de ophanghaak (21) gebruiken die is ingebouwd in de handgreep (10), zodat u de stoomreiniger kunt ophangen aan een geschikte wandhaak. Zorg ervoor dat de wandhaak stevig genoeg is om het gewicht van de stoomreiniger te dragen.

Onderhoud en reiniging

Uw Black & Decker-apparaat (met snoer) is ontworpen om gedurende langere periode te functioneren met een minimum aan onderhoud. U kunt het apparaat naar volle tevredenheid blijven gebruiken als u voor correct onderhoud zorgt en het apparaat regelmatig schoonmaakt.

Waarschuwing! Schakel het apparaat uit en verwijder altijd de stekker uit het stopcontact voordat u onderhouds- of reinigingswerkzaamheden aan het apparaat uitvoert.

- ◆ Veeg het apparaat schoon met een zachte vochtige doek.
- ◆ U kunt een milde oplossing van water en zeep gebruiken om de doek te bevochtigen.

Onderhoud van de reinigingsdoeken

Wasinstructies - Geen wasverzachter - Volledig laten drogen voor een volgend gebruik.

Let op! Volg de wasinstructies die op het label van de reinigingsdoek zijn gedrukt.

Netstekker vervangen (alleen Verenigd Koninkrijk en Ierland)

Als er een nieuwe netstekker moet worden aangebracht:

- ◆ Gooi de oude stekker op verantwoorde wijze weg.
- ◆ Verbind de bruine draad met de spannings-/fasepool in de nieuwe stekker.
- ◆ Verbind de blauwe draad met de nul-/neutraalpool.
- ◆ Verbind de groen/gele draad met de aardepool.

Waarschuwing! Volg de bevestigingsinstructies die met hoogwaardige stekkers worden meegeleverd. Aanbevolen zekering: 13A.

Milieue



Aparte inzameling. Dit product mag niet met normaal huishoudelijk afval worden weggegooid.

Mocht u op een dag constateren dat het Black & Decker-product aan vervanging toe is of dat u het apparaat niet meer nodig hebt, gooi het product dan niet bij het restafval. Het product valt onder de categorie voor elektrische apparaten.



Gescheiden inzameling van gebruikte producten en verpakkingsmaterialen maakt het mogelijk materialen te recycleren en opnieuw te gebruiken. Hergebruik van gerecycleerde materialen zorgt voor minder milieuvuiling en dringt de vraag naar grondstoffen terug.

Plaatselijke verordeningen kunnen voorzien in gescheiden inzameling van huishoudelijke elektrische producten via gemeentelijke stortplaatsen of via de leverancier bij wie u een nieuw product aanschaft.

Black & Decker biedt de mogelijkheid tot het recyclen van afgedankte Black & Decker-producten. Om gebruik te maken van deze service, dient u het product naar een van onze servicecentra te sturen, die de inzameling voor ons verzorgen.

U kunt het adres van het dichtstbijzijnde Black & Decker-servicecentrum opvragen via de adressen op de achterzijde van deze handleiding. U kunt ook een lijst van Black & Decker-servicecentra en meer informatie m.b.t. onze klantenservice vinden op internet op: www.2helpU.com

Technische gegevens

		FSM1600 FSM1600D (Type 1)	FSM1500 (Type 1)
Spanning	V _{ac}	230	230
Vermogen	W	1600	1500
Tankcapaciteit	l	0,5	0,5
Gewicht	kg	2,52	2,52

Garantie

Black & Decker heeft vertrouwen in haar producten en biedt een uitstekende garantie. Deze garantiebepalingen vormen een aanvulling op uw wettelijke rechten en beperken deze niet. De garantie geldt in de lidstaten van de Europese Unie en de Europese Vrijhandelsassociatie.

Mocht uw Black & Decker product binnen 24 maanden na de datum van aankoop defect raken ten gevolge van materiaal- of constructiefouten, dan garanderen wij de kosteloze vervanging van defecte onderdelen, de reparatie van het product of de vervanging van het product, tenzij:

- ◆ Het product is gebruikt voor handelsdoeleinden, professionele toepassingen of verhuurdoeleinden.
- ◆ Het product onoordeelkundig is gebruikt.
- ◆ Het product is beschadigd door invloeden van buitenaf of door een ongeval.
- ◆ Reparaties zijn uitgevoerd door anderen dan onze servicecentra of Black & Decker-personeel.

Om een beroep te doen op de garantie, dient u een aankoopbewijs te overhandigen aan de verkoper of een van onze servicecentra. U kunt het adres van het dichtstbijzijnde Black & Decker-servicecentrum opvragen via de adressen op de achterzijde van deze handleiding. U kunt ook een lijst van Black & Decker-servicecentra en meer informatie m.b.t. onze klantenservice vinden op internet op: www.2helpU.com

Meld u aan op onze website www.blackanddecker.nl om te worden geïnformeerd over nieuwe producten en speciale aanbiedingen van Black & Decker. Verdere informatie over het merk Black & Decker en onze producten vindt u op www.blackanddecker.nl.

Uso específico

La mopa de vapor de Black & Decker se ha diseñado para la desinfección y la limpieza de los suelos de madera dura sellada, material laminado sellado, linóleo, vinilo, baldosas de cerámica, piedra y mármol, así como para renovar el aspecto de las alfombras. Este aparato está pensado únicamente para uso doméstico en interiores.

Instrucciones de seguridad



¡Atención! Lea todas las advertencias e instrucciones de seguridad. En caso de no atenerse a las siguientes advertencias e instrucciones de seguridad, podría producirse una descarga eléctrica, incendio o lesión grave.



¡Atención! Si utiliza aparatos conectados a la red eléctrica, es necesario seguir las precauciones de seguridad básicas, incluidas las que se indican a continuación, para reducir el riesgo de incendios, descargas eléctricas, lesiones personales y daños materiales.

- ◆ Lea todo el manual detenidamente antes de utilizar el aparato.
- ◆ En este manual se describe el uso para el que se ha diseñado el aparato. La utilización de accesorios o la realización de operaciones distintas de las recomendadas en este manual de instrucciones puede presentar un riesgo de lesiones.
- ◆ Conserve este manual para futuras consultas.

Utilización del aparato

- ◆ No dirija el vapor directamente a las personas, los animales, los aparatos eléctricos o las tomas eléctricas.
- ◆ No exponga el aparato a la lluvia.
- ◆ No sumerja el aparato en agua.
- ◆ No deje el aparato desatendido.
- ◆ No deje el aparato conectado a una toma eléctrica cuando no lo esté utilizando.
- ◆ No tire del cable de alimentación para desconectar el aparato de la toma de corriente. Mantenga el cable de alimentación del aparato alejado de fuentes de calor, aceites y bordes afilados.
- ◆ No manipule el limpiador a vapor con las manos húmedas.
- ◆ No tire del cable ni transporte el aparato tirando del cable, no utilice el cable como un asa, no pille el cable con la puerta, no tire del cable por esquinas afiladas y no exponga el cable a superficies calientes.

- ◆ No utilice el aparato en espacios cerrados llenos de vapor emitido por disolventes de pintura al óleo, de determinadas sustancias resistentes a las polillas, de polvo inflamable o de otros gases explosivos o tóxicos.
- ◆ Compruebe el tipo de suelo con el fabricante.
- ◆ No lo utilice sobre piel, muebles o suelos pulidos con cera, telas sintéticas, terciopelo ni en otros materiales delicados sensibles al vapor.



¡Atención! No lo utilice sobre suelos de madera o suelos laminados sin sellar. En superficies que han sido tratadas con cera o en algunos suelos sin cera, es posible que el calor y la acción del vapor acaben con el brillo. Antes de proceder, se recomienda siempre realizar una prueba en una zona aislada de la superficie que se va a limpiar. Es recomendable asimismo que consulte las instrucciones de uso y de cuidado del fabricante del suelo.

- ◆ No introduzca nunca productos desoxidantes, aromáticos, alcohólicos o detergentes en el limpiador a vapor, puesto que podría dañarse o funcionar de forma peligrosa.
- ◆ Si el disyuntor de su hogar se activa mientras está usando la función de vapor, deje de utilizar el aparato inmediatamente y póngase en contacto con el centro de atención al cliente. (Tenga cuidado con el riesgo de descarga eléctrica.)
- ◆ El aparato emite vapor muy caliente para desinfectar el área de uso. Esto implica que la cabeza de vapor, las almohadillas limpiadoras y el accesorio para alfombras pueden calentarse mucho durante su uso.
- ◆ **¡Precaución!** Utilice siempre un calzado adecuado cuando maneje la mopa de vapor y cuando le cambie los accesorios. No utilice zapatillas o calzado abierto.
- ◆ Es posible que, al utilizar el aparato, la tapa se caliente.
- ◆ Es posible que se escape vapor del aparato durante el uso.
- ◆ Debe tenerse especial cuidado al utilizar este aparato. Mientras utiliza el aparato, NO toque las piezas que pueden calentarse.
- ◆ Apague el aparato y coloque el mango en posición vertical antes de quitar el tapón del depósito de agua.
- ◆ Solamente para su uso en suelos; no utilice la unidad boca abajo. Este aparato está destinado únicamente al uso doméstico.

Después de la utilización

- ◆ Desenchufe el aparato y espere a que se enfríe antes de limpiarlo.
- ◆ Cuando no lo utilice, el aparato debería guardarse en un lugar seco.
- ◆ Los niños no deben tener acceso a los aparatos guardados.

Inspecciones y reparaciones

- ◆ Antes de realizar cualquier operación de mantenimiento o de reparación, primero debe desenchufar el aparato y esperar a que se enfríe.
- ◆ Antes de utilizarlo, compruebe que el aparato no tiene piezas dañadas o defectuosas. Compruebe que no hay piezas rotas, que los interruptores no están dañados y que no existen otros defectos que puedan afectar al funcionamiento del aparato.
- ◆ Compruebe con regularidad que el cable de alimentación no ha sufrido daños.
- ◆ No utilice el aparato si presenta alguna pieza dañada o defectuosa.
- ◆ Solicite al servicio técnico autorizado la reparación o sustitución de las piezas dañadas o defectuosas.
- ◆ Nunca intente extraer ni sustituir ninguna pieza que no esté especificada en este manual.

Seguridad de terceros

- ◆ Ninguna persona (incluyendo niños) con capacidades físicas, sensoriales o mentales disminuidas, o que carezca de experiencia y conocimientos, debe utilizar este aparato, salvo que haya recibido supervisión o formación con respecto a su uso por parte de una persona responsable de su seguridad.
- ◆ Los niños deben vigilarse en todo momento para garantizar que el aparato no se toma como elemento de juego.

Riesgos residuales.

El uso de esta herramienta puede producir riesgos residuales adicionales no incluidos en las advertencias de seguridad adjuntas. Estos riesgos se pueden generar por un uso incorrecto, demasiado prolongado, etc.

El cumplimiento de las normas de seguridad correspondientes y el uso de dispositivos de seguridad no evitan ciertos riesgos residuales. Estos riesgos incluyen:

- ◆ Lesiones producidas por el contacto con piezas móviles.
- ◆ Lesiones producidas por el contacto con piezas calientes.
- ◆ Lesiones producidas al cambiar cualquier pieza o accesorio.
- ◆ Lesiones producidas al usar el aparato durante un período de tiempo prolongado. Si utiliza un aparato durante períodos de tiempo demasiado prolongados, asegúrese de realizar pausas con frecuencia.

Seguridad eléctrica



¡Atención! Este producto debe conectarse a una toma de tierra. Compruebe siempre que la tensión de la red se corresponda con el voltaje indicado en la placa de características de la herramienta.

El enchufe de la herramienta eléctrica debe corresponder a la toma de corriente utilizada. No modifique el enchufe. Estas pautas le ayudarán a reducir el riesgo de descargas eléctricas.

- ◆ **Si el cable de alimentación está dañado, debe ser sustituido por el fabricante o por un centro de asistencia técnica autorizado de Black & Decker para evitar cualquier situación de riesgo.**

Cables de extensión y productos de la clase 1

- ◆ El cable de 3 núcleos debe utilizarse cuando el aparato esté conectado a una toma de tierra y cumpla con la clase 1.
- ◆ Es posible utilizar hasta 30 m sin perder energía.

Etiquetas del aparato

Encontrará los siguientes pictogramas en la herramienta:



¡Atención! Para reducir el riesgo de lesiones, el usuario debe leer el manual de instrucciones.



¡Atención! Peligro de quemaduras.

Características

Este aparato incluye una o más de las siguientes características.

1. Interruptor de encendido/apagado
2. Mando Autoselect™
3. Depósito de agua
4. Mango
5. Cabeza de vapor
6. Almohadilla limpiadora
7. Alfombrilla de descanso
8. Deslizador para alfombras (sólo para el modelo FSM1600 & FSM1600D)
9. Jarra (sólo para el modelo FSM1600 & FSM1600D)

Montaje

¡Atención! Antes de llevar a cabo cualquiera de las siguientes operaciones, asegúrese de que el aparato está desconectado, desenchufado y frío, así como de que no contiene agua.

Instalación del mango (Fig. A y B)

- ◆ Deslice la empuñadura (10) hacia el extremo superior del mango (4) hasta que encaje en su sitio.
- ◆ Deslice el extremo inferior del mango (4) hacia el extremo superior del cuerpo de la mopa de vapor (11) hasta que encaje en su sitio.

- ◆ Es posible extraer el mango del cuerpo de la mopa de vapor para almacenarlo más fácilmente, para ello, sólo es necesario presionar el botón de liberación del tubo del mango (12) y tirar del mango (4) hacia fuera del cuerpo de la mopa de vapor (11).

Instalación de la cabeza de vapor (Fig. C)

- ◆ Deslice el extremo inferior del cuerpo de la mopa (11) hacia la cabeza de vapor(5) hasta que encaje en su sitio.
- ◆ Puede extraerse la cabeza de vapor del cuerpo de la mopa de vapor con solo presionar el botón de liberación de la cabeza de vapor (13) y tirar del cuerpo de la mopa de vapor (11) hacia fuera de la cabeza de vapor (5).

Instalación de la almohadilla limpiadora (Fig. D)

Las almohadillas limpiadoras de repuesto están disponibles en el distribuidor de Black & Decker más cercano (número de catálogo FSMP20-XJ).

- ◆ Coloque una almohadilla limpiadora (6) en el suelo con la cara que tiene el sistema de tipo velcro hacia arriba.
- ◆ Empuje suavemente la mopa de vapor hacia abajo sobre la almohadilla limpiadora (6).

¡Precaución! Cuando esté inmóvil, coloque siempre la mopa de vapor sobre la alfombra de descanso (7) con el mango (4) en posición vertical y, cuando no se utilice, asegúrese de que esté apagada.

Extracción de la almohadilla limpiadora (Fig. E)

Caution! Utilice siempre un calzado adecuado cuando cambie la almohadilla limpiadora de la mopa de vapor. No utilice zapatillas o calzado abierto.

- ◆ Vuelva a colocar el mango (4) en posición vertical y apague la mopa de vapor con el interruptor en "OFF".
- ◆ Coloque la mopa de vapor sobre la alfombra de descanso y espere hasta que se enfríe. (Pueden transcurrir unos cinco minutos)
- ◆ Coloque la punta del zapato en la lengüeta de extracción de la almohadilla limpiadora (14) y presione hacia abajo con firmeza.
- ◆ Extraiga la mopa de vapor de la almohadilla limpiadora.

¡Precaución! Cuando esté inmóvil, coloque siempre la mopa de vapor sobre la alfombra de descanso (7) con el mango (4) en posición vertical y, cuando no se utilice, asegúrese de que está apagada.

Instalación del deslizador para alfombras (Fig. F) (sólo para el modelo FSM1600 & FSM1600D)

- ◆ Coloque el deslizador para alfombras en el suelo.
- ◆ Empuje suavemente la mopa de vapor hacia abajo sobre el deslizador para alfombras (8) hasta que encaje en su lugar.

¡Precaución! Cuando esté inmóvil, coloque siempre la mopa de vapor sobre la alfombra de descanso (7) con el mango (4) en posición vertical y, cuando no se utilice, asegúrese de que esté apagada.

Extracción del deslizador para alfombras (Fig. G) (sólo para el modelo FSM1600 & FSM1600D)

¡Precaución! Utilice siempre un calzado adecuado cuando cambie el deslizador para alfombras de la mopa de vapor. No utilice zapatillas o calzado abierto.

- ◆ Vuelva a colocar el mango (4) en posición vertical y apague la mopa de vapor con el interruptor en "OFF".
- ◆ Coloque la mopa de vapor sobre la alfombra de descanso y espere hasta que se enfríe. (Pueden transcurrir unos cinco minutos)
- ◆ Coloque la punta del zapato en la lengüeta de extracción del deslizador para alfombras (15) y presione hacia abajo con firmeza.
- ◆ Extraiga la mopa de vapor del deslizador para alfombras (8).

¡Precaución! Cuando esté inmóvil, coloque siempre la mopa de vapor sobre la alfombra de descanso (7) con el mango (4) en posición vertical y, cuando no se utilice, asegúrese de que esté apagada.

Llenado del depósito de agua (Fig. H, I y J)

Esta mopa de vapor dispone de un sistema antical que ayuda a prolongar la vida del aparato.

Nota: llene el depósito con agua del grifo.

Nota: en zonas con agua muy dura, se recomienda el uso de agua desionizada.

- ◆ Asegúrese de que el aparato está apagado y que el cable de alimentación está desconectado de la corriente.
- ◆ Coloque la mopa de vapor sobre la alfombra de descanso (7) con el mango (4) en posición vertical.
- ◆ Extraiga el tapón de llenado (16) girándolo en sentido contrario al de las agujas del reloj.
- ◆ Llene el depósito (3) con agua.

¡Atención! La capacidad del depósito es de 0,5 litros. No llene el depósito por encima de la marca de llenado máximo.

- ◆ Coloque el tapón de llenado (16) girándolo con firmeza en el sentido de las agujas del reloj.

Nota: cuando no se utilice, la jarra puede sujetarse al mango con un clip para almacenarla cómodamente (Fig. J) (sólo para el modelo FSM1600 & FSM1600D)

Nota: Asegúrese de que el tapón de llenado está colocado correctamente. Si el tapón de llenado se coloca de manera incorrecta, la mopa de vapor no podrá empezar a utilizarse.

Uso

Encendido y apagado

- ◆ Para encender el aparato, presione el botón de encendido y apagado (1). La mopa de vapor tarda aproximadamente 15 segundos en calentarse.

Nota: Cuando se encienda la mopa de vapor por primera vez, el testigo del depósito de agua se iluminará en rojo. Una vez que la mopa de vapor esté lista para ser utilizada, el testigo del depósito de agua se iluminará en azul.

- ◆ Para apagar el aparato, presione el botón de encendido y apagado (1).


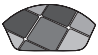

¡Precaución! Durante un imprevisto, no deje nunca la mopa de vapor en el mismo sitio sobre ningún tipo de superficie, aunque sea por poco tiempo. Cuando esté inmóvil, coloque siempre la mopa de vapor sobre la alfombrilla de descanso (7) con el mango (4) en posición vertical y, cuando no se utilice, asegúrese de que está apagada.

¡Precaución! Vacíe siempre la mopa de vapor después de utilizarla.

Tecnología Autoselect™

Esta mopa de vapor cuenta con un mando Autoselect™ (2) que muestra varias aplicaciones de limpieza. Se utilizan para seleccionar el modo de funcionamiento correcto para cada trabajo de limpieza en particular.

Mediante el uso del mando Autoselect™ (2), seleccione una de las siguientes aplicaciones:

	Madera/Laminado
	Piedra/Mármol
	Baldosas/Vinilo

La mopa de vapor seleccionará el volumen correcto de vapor que requiere esta operación de limpieza en particular.

Consejos para un uso óptimo

General

¡Precaución! No utilice nunca la mopa de vapor sin colocar primero una almohadilla limpiadora.

- ◆ Antes de utilizar la mopa de vapor, asegúrese de aspirar o barrer el suelo.
- ◆ La manera más fácil de utilizar el aparato consiste en inclinar el mango hasta un ángulo de 45° y limpiar lentamente, cubriendo un área pequeña cada vez.

- ◆ No utilice productos químicos con la mopa de vapor. Para eliminar las manchas resistentes de los suelos de vinilo o linóleo, puede tratarlas con un detergente suave y un poco de agua antes de utilizar la mopa de vapor.

Limpieza con vapor

- ◆ Coloque una almohadilla limpiadora (6) en el suelo con la cara que tiene el sistema de tipo velcro hacia arriba.
- ◆ Levante la mopa de vapor de la alfombrilla de descanso (7) y empújela suavemente hacia abajo sobre la almohadilla limpiadora (6).
- ◆ Coloque la mopa de vapor sobre la alfombrilla de descanso.
- ◆ Conecte la mopa de vapor a la corriente.
- ◆ Gire el mando Autoselect™ (2) hasta la configuración deseada.
- ◆ Pulse el botón de encendido y apagado (1). La mopa de vapor tarda aproximadamente 15 segundos en calentarse.
- ◆ Al tirar del mango (4) hacia atrás se activará la bomba de vapor. Al cabo de pocos segundos, comenzará a salir vapor de la cabeza de vapor.
- ◆ Deben transcurrir unos segundos antes de que el vapor se introduzca por la almohadilla limpiadora. A continuación, la mopa de vapor podrá deslizarse con facilidad sobre la superficie que desee desinfectar o limpiar.
- ◆ Arrastre lentamente la mopa de vapor hacia delante y hacia atrás por el suelo para limpiar a fondo cada sección.

Nota: durante el uso, puede apagar la bomba de vapor con solo colocar el mango en posición vertical. Esta cómoda función le permitirá colocar la mopa de vapor sobre la alfombrilla de descanso durante un período de tiempo corto, que le permitirá mover los muebles y, a continuación, proseguir con la limpieza sin tener que apagar el aparato.

- ◆ Cuando haya terminado de utilizar la mopa de vapor, vuelva a colocar el mango (4) en posición vertical, apague el aparato, colóquelo sobre la alfombrilla de descanso (7) y espere hasta que se enfríe. (Pueden transcurrir unos cinco minutos)

¡Precaución! Es importante que controle el nivel del depósito de agua. Para llenar el depósito de agua y continuar con la desinfección o limpieza, coloque el mango (4) en posición vertical y ponga el interruptor en la posición "OFF" (apagado). Desenchufe la unidad de la toma eléctrica y vuelva a llenar el depósito de agua (3) mediante el uso de la jarra (9) suministrada.

¡Precaución! Durante un imprevisto, no deje nunca la mopa de vapor en el mismo sitio sobre ningún tipo de superficie, aunque sea por poco tiempo. Cuando esté inmóvil, coloque siempre la mopa de vapor sobre la alfombrilla de descanso (7) con el mango (4) en posición vertical y, cuando no se utilice, asegúrese de que está apagada.

Renovación del aspecto de las alfombras

- ◆ Coloque una almohadilla limpiadora (6) en el suelo con la cara que tiene el sistema de tipo velcro hacia arriba.
- ◆ Levante la mopa de vapor de la alfombrilla de descanso (7) y empújela suavemente hacia abajo sobre la almohadilla limpiadora (6).
- ◆ Coloque el deslizador para alfombras (8) en el suelo.
- ◆ Empuje suavemente la mopa de vapor hacia abajo sobre el deslizador para alfombras (8) hasta que encaje en su lugar.
- ◆ Coloque la mopa de vapor sobre la alfombrilla de descanso. (7)
- ◆ Conecte la mopa de vapor a la corriente.
- ◆ Gire el mando Autoselect™ (2) hasta la configuración de Madera/Laminado.
- ◆ Pulse el botón de encendido y apagado (1). La mopa de vapor tarda aproximadamente 15 segundos en calentarse.
- ◆ Al tirar del mango (4) hacia atrás se activará la bomba de vapor. Al cabo de pocos segundos, comenzará a salir vapor de la cabeza de vapor.
- ◆ Arrastre lentamente la mopa de vapor hacia delante y hacia atrás por la alfombra para refrescar a fondo cada sección.

Nota: durante el uso, puede apagar la bomba de vapor con solo colocar el mango (4) en posición vertical. Esta cómoda función le permitirá colocar la mopa de vapor sobre la alfombrilla de descanso (7) durante un período de tiempo corto, que le permitirá mover los muebles sin tener que apagar el aparato.

- ◆ Cuando haya terminado de utilizar la mopa de vapor, vuelva a colocar el mango (4) en posición vertical, apague el aparato, colóquelo sobre la alfombrilla de descanso (7) y espere hasta que se enfríe. (Pueden transcurrir unos cinco minutos)

¡Precaución! Es importante que controle el nivel del depósito de agua. Para llenar el depósito de agua y continuar con la desinfección o limpieza, coloque el mango (4) en posición vertical y ponga el interruptor en la posición "OFF" (apagado). Desenchufe la unidad de la toma eléctrica de pared y vuelva a llenar el depósito de agua mediante el uso de la jarra suministrada.

¡Precaución! Durante un imprevisto, no deje nunca la mopa de vapor en el mismo sitio sobre ningún tipo de superficie, aunque sea por poco tiempo. Cuando esté inmóvil, coloque siempre la mopa de vapor sobre la alfombrilla de descanso (7) con el mango (4) en posición vertical y, cuando no se utilice, asegúrese de que está apagada.

Después de la utilización (Fig. K y L)

- ◆ Vuelva a colocar el mango (4) en posición vertical y apague la mopa de vapor con el interruptor en "OFF".

- ◆ Coloque la mopa de vapor sobre la alfombrilla de descanso (7) y espere hasta que se enfríe. (Pueden transcurrir unos cinco minutos)
- ◆ Desenchufe la mopa de vapor de la toma de corriente de pared.
- ◆ Vacíe el depósito de agua (3).
- ◆ Extraiga la almohadilla limpiadora (6) y lávela de forma que esté lista para la próxima vez. (Asegúrese de seguir las instrucciones de cuidado y limpieza impresas en la almohadilla limpiadora)
- ◆ Enrolle el cable de alimentación alrededor del gancho de recogida de cable (18 y 19).

Nota: el gancho de recogida de cable superior (19) gira para facilitar la liberación del cable cuando se vuelva a utilizar el aparato.

- ◆ Sujete el cable de alimentación a la pinza de recogida de cable (20) que se encuentra junto al enchufe.
- ◆ Coloque la mopa de vapor sobre la alfombrilla de descanso (7) para guardarla.

Nota: con el mango (4) en posición vertical y con el cable cuidadosamente enrollado alrededor de los ganchos de recogida de cable (18 y 19) y firmemente sujeto con la pinza de recogida de cable (20), la mopa de vapor se mantendrá en pie para facilitar el almacenaje. Como alternativa, la mopa de vapor cuenta con una pieza de sujeción (21) situada en la empuñadura (10) que le permitirá colgarla en la pared mediante el uso del gancho adecuado. Asegúrese siempre de que el gancho de la pared puede aguantar sin peligro el peso de la mopa de vapor.

Mantenimiento y limpieza

Este aparato con cable de Black & Decker se ha diseñado para que funcione durante un largo período de tiempo con un mantenimiento mínimo. El funcionamiento satisfactorio continuado depende de un cuidado apropiado y una limpieza periódica del aparato.

¡Atención! Para realizar el mantenimiento o limpieza de los aparatos con cable, antes es necesario apagarlos y desenchufarlos.

- ◆ Limpie el aparato con un paño suave y húmedo.
- ◆ En caso de manchas resistentes, puede humedecer el paño en una solución suave de jabón y agua.

Cuidado de las almohadillas limpiadoras

Instrucciones de cuidado y limpieza – No utilice suavizante – Permita que se sequen por completo antes de volver a utilizarlas.

¡Precaución! Siga las instrucciones de cuidado y de limpieza impresas en la almohadilla limpiadora.

Sustitución del enchufe de la red eléctrica (sólo para el Reino Unido e Irlanda)

Si es necesario colocar un nuevo enchufe para la red eléctrica:

- ◆ Deseche el enchufe anterior según las normas de seguridad.
- ◆ Conecte el cable marrón al terminal conductor del nuevo enchufe.
- ◆ Conecte el cable azul al terminal neutro.
- ◆ Conecte el cable verde/amarillo a una conexión a tierra.

¡Atención! Siga las instrucciones de montaje suministradas con los enchufes de buena calidad. Fusible recomendado: 13A.

Protección del medio ambiente



Recogida selectiva. No se debe desechar este producto con el resto de residuos domésticos.

Si llegase el momento en que fuese necesario sustituir su producto Black & Decker o si este dejase de tener utilidad para usted, no lo deseche junto con los residuos domésticos. Sepárelo para su recogida selectiva.



La recogida selectiva de productos y embalajes usados permite el reciclaje de materiales y su reutilización. La reutilización de materiales reciclados contribuye a evitar la contaminación medioambiental y reduce la demanda de materias primas.

Las normativas municipales deben ofrecer la recogida selectiva de productos eléctricos del hogar, en puntos municipales previstos para tal fin o a través del distribuidor cuando adquiera un nuevo producto.

Black & Decker proporciona facilidades para la recogida y reciclado de los productos Black & Decker que han llegado al final de su vida útil. Para poder utilizar este servicio, le rogamos que entregue el producto a cualquier agente de servicio técnico autorizado para que se haga cargo de él en nuestro nombre.

Puede consultar la dirección de su agente de servicio técnico más cercano si se pone en contacto con la oficina local de Black & Decker en la dirección que se indica en este manual. Como alternativa, puede consultar la lista de agentes de asistencia técnica autorizados de Black & Decker y obtener la información completa de nuestros servicios de posventa y los contactos disponibles en la siguiente dirección de Internet: www.2helpU.com

Características técnicas

		FSM1600 FSM1600D (Tipo 1)	FSM1500 (Tipo 1)
Voltaje	V_{ac}	230	230
Potencia	W	1.600	1.500
Capacidad del depósito	l	0,5	0,5
Peso	kg	2,52	2,52

Garantía

Black & Decker confía plenamente en la calidad de sus productos y ofrece una garantía extraordinaria. Esta declaración de garantía es un añadido, y en ningún caso un perjuicio para sus derechos legales. La garantía es válida dentro de los territorios de los Estados miembros de la Unión Europea y de los de la Zona Europea de Libre Comercio.

Si un producto Black & Decker resultara defectuoso debido a materiales o mano de obra defectuosos o a la falta de conformidad, Black & Decker garantiza, dentro de los 24 meses de la fecha de compra, la sustitución de las piezas defectuosas, la reparación de los productos sujetos a un desgaste y rotura razonables o la sustitución de tales productos para garantizar al cliente el mínimo de inconvenientes, a menos que:

- ◆ El producto se ha utilizado con propósitos comerciales, profesionales o de alquiler.
- ◆ El producto se ha sometido a un uso inadecuado o negligente.
- ◆ El producto ha sufrido daños causados por objetos o sustancias extrañas o accidentes.
- ◆ Se hayan realizado reparaciones por parte de personas que no sean del servicio técnico autorizado o personal de servicios de Black & Decker.

Para reclamar en garantía, será necesario que presente la prueba de compra al vendedor o al agente de servicio técnico autorizado. Puede consultar la dirección de su agente de servicio técnico más cercano si se pone en contacto con la oficina local de Black & Decker en la dirección que se indica en este manual. Como alternativa, puede consultar la lista de agentes de asistencia técnica autorizados de Black & Decker y obtener la información completa de nuestros servicios de posventa y los contactos disponibles en la siguiente dirección de Internet: www.2helpU.com

Visite el sitio web www.blackanddecker.es para registrar su nuevo producto Black & Decker y estar al día sobre productos y ofertas especiales. Encontrará información adicional sobre la marca Black & Decker y nuestra gama de productos en www.blackanddecker.es.

Utilização prevista

A sua mopa a vapor Black & Decker foi concebida para desinfectar e limpar chãos de madeiras duras seladas, laminados selados, linóleo, vinil, mosaicos, pedra e mármore, bem como para limpar alcatifas. Este aparelho destina-se apenas a utilização doméstica em interiores.

Instruções de segurança



Atenção! Leia com atenção todos os avisos de segurança e instruções. O não cumprimento dos seguintes avisos e instruções pode resultar em choque eléctrico, incêndio e/ou graves lesões.



Atenção! Ao utilizar aparelhos eléctricos, deve sempre cumprir medidas de segurança básicas, incluindo as que se seguem, de modo a reduzir os riscos de incêndio, choque eléctrico e ferimentos.

- ◆ Leia cuidadosamente o manual completo antes de utilizar este aparelho.
- ◆ A utilização prevista para este aparelho está descrita no manual. A utilização de qualquer acessório ou a realização de qualquer operação com este aparelho que não se inclua no presente manual de instruções poderá representar um risco de ferimentos pessoais.
- ◆ Conserve este manual para referência futura.

Utilização do aparelho

- ◆ Não oriente o vapor para pessoas, animais, aparelhos eléctricos ou tomadas.
- ◆ Não exponha o aparelho à chuva.
- ◆ Não mergulhe o aparelho em água.
- ◆ Não deixe o aparelho sem vigilância.
- ◆ Não deixe o aparelho ligado a uma tomada eléctrica quando não estiver em utilização.
- ◆ Nunca puxe pelo cabo de alimentação para desligar o aparelho da tomada. Mantenha o aparelho afastado do calor, combustíveis e extremidades afiadas.
- ◆ Não pegue na máquina de limpeza a vapor com as mãos molhadas.
- ◆ Não puxe nem transporte pelo cabo, não o utilize como pega, não o entale nas portas, não o puxe em torno de arestas agudas nem o exponha a superfícies aquecidas.
- ◆ Não utilize o aparelho num espaço fechado e cheio de vapor emitido por diluente à base de óleo, algumas substâncias anti-traças, poeiras inflamáveis ou outros vapores explosivos ou tóxicos.
- ◆ Verifique o tipo de chão junto do fabricante.

- ◆ Não utilize em peles, mobiliário ou chãos encerados, tecidos sintéticos, veludo ou outros materiais delicados e sensíveis ao vapor.



Atenção! Não utilize em chãos de madeira ou laminado não selados. Em superfícies que tenham sido tratadas com cera ou em alguns chãos não encerados, o brilho poderá ser removido por acção do calor e do vapor. Antes de iniciar a limpeza, é sempre recomendável efectuar um teste numa área isolada da superfície a limpar. Também recomendamos que consulte as instruções de utilização e manutenção do fabricante do chão.

- ◆ Nunca utilize produtos de desincrustação, aromáticos, alcoólicos ou detergentes na máquina de limpeza a vapor, uma vez que a poderão danificar ou tornar a sua utilização perigosa.
- ◆ Se o disjuntor doméstico disparar durante a utilização da função de vapor, suspenda de imediato a utilização do produto e contacte o centro de apoio ao cliente. (Atenção ao risco de choque eléctrico.)
- ◆ O aparelho emite vapor muito quente para desinfectar a área em que é utilizado. Isso significa que a cabeça de vapor, panos de limpeza e acessório para alcatifas aquecem muito durante a utilização.
- ◆ **Cuidado!** Calce sempre sapatos adequados ao utilizar a mopa a vapor ou ao mudar os acessórios da mesma. Não calce chinelos nem sandálias.
- ◆ A tampa poderá aquecer durante a utilização.
- ◆ Poderá haver libertação de vapor durante a utilização do aparelho.
- ◆ Deverá ter cuidado ao utilizar o aparelho. NÃO toque em nenhuma peça que possa aquecer durante a utilização.
- ◆ Desligue o aparelho e volte a colocar a pega na posição vertical antes de remover a tampa do reservatório de água.
- ◆ Apenas para utilização no chão; não utilize a unidade virada ao contrário. Este aparelho destina-se apenas a utilização doméstica em interiores.

Após a utilização

- ◆ Desligue o aparelho e deixe-o arrefecer antes de o limpar.
- ◆ Quando não estiver em utilização, o aparelho deve ser guardado num local seco.
- ◆ Os aparelhos deverão ser armazenados fora do alcance das crianças.

Inspecção e reparações

- ◆ Antes de executar qualquer manutenção ou reparação, desligue o aparelho da tomada e deixe-o arrefecer.

- ◆ Antes da utilização, verifique a existência de peças danificadas ou avariadas no aparelho. Verifique se há peças partidas, danos nos interruptores ou outro tipo de condições que possam afectar o seu funcionamento.
- ◆ Verifique regularmente se o cabo de alimentação se apresenta danificado.
- ◆ Não utilize o aparelho se alguma das peças se encontrar danificada ou avariada.
- ◆ Mandar reparar ou substituir quaisquer peças danificadas ou avariadas por um agente de reparação autorizado.
- ◆ Nunca tente retirar ou substituir quaisquer peças que não as especificadas neste manual.

Segurança de terceiros

- ◆ Este aparelho não deve ser utilizado por pessoas (incluindo crianças) que apresentem capacidades físicas, sensoriais ou mentais reduzidas ou que não possuam os conhecimentos e a experiência necessários, excepto se forem vigiadas e instruídas acerca da utilização do aparelho por uma pessoa responsável pela sua segurança.
- ◆ As crianças deverão ser vigiadas para que não mexam no aparelho.

Riscos residuais.

Podem surgir riscos residuais adicionais durante a utilização da ferramenta que poderão não constar nos avisos de segurança incluídos. Estes riscos podem resultar de má utilização, uso prolongado, etc.

Mesmo com o cumprimento dos regulamentos de segurança relevantes e com a implementação de dispositivos de segurança, alguns riscos residuais não podem ser evitados.

Estes riscos incluem:

- ◆ Ferimentos causados pelo contacto com peças em movimento.
- ◆ Ferimentos causados pelo contacto com peças quentes.
- ◆ Ferimentos causados durante a troca de peças ou acessórios.
- ◆ Ferimentos causados pela utilização prolongada do aparelho. Quando utilizar um aparelho durante um período prolongado, faça intervalos regulares.

Segurança eléctrica



Atenção! Este produto deve ter ligação terra. Verifique sempre se a fonte de alimentação corresponde à tensão indicada na placa de especificações.

As fichas eléctricas devem caber na tomada. A ficha não deve ser modificada de modo algum. Fichas sem modificações e tomadas adequadas reduzem o risco de choques eléctricos.

- ◆ **Se o cabo de alimentação estiver danificado, terá de ser substituído pelo fabricante ou por um centro de assistência autorizado Black & Decker para evitar acidentes.**

Cabos de extensão e produto Classe 1

- ◆ **Deve ser utilizado um cabo de três condutores, uma vez que o seu aparelho tem ligação terra e pertence à Classe 1.**
- ◆ **Podem ser utilizados até 30 m de cabo, sem perda de potência.**

Rótulos do aparelho

A ferramenta apresenta os seguintes pictogramas:



Atenção! Para reduzir o risco de ferimentos, o utilizador deve ler o manual de instruções.



Atenção! Perigo de queimaduras.

Características

Este aparelho inclui algumas ou todas as seguintes funções:

1. Interruptor para ligar/desligar
2. Mostrador Autoselect™
3. Reservatório de água
4. Pega
5. Cabeça de Vapor
6. Pano de limpeza
7. Tapete de descanso
8. Acessório para alcatifas (apenas FSM1600 & FSM1600D)
9. Recipiente (apenas FSM1600 & FSM1600D)

Montagem

Atenção! Antes de tentar executar qualquer das seguintes operações, certifique-se de que o aparelho está desligado, não está ligado à corrente eléctrica, se encontra à temperatura ambiente e não contém água.

Fixar a pega (fig. A e B)

- ◆ Faça deslizar o punho (10) para dentro da extremidade superior da pega (4) até ouvir um clique de encaixe.
- ◆ Faça deslizar a extremidade inferior do punho (4) para dentro da extremidade superior do corpo da mopa a vapor (11) até ouvir um clique de encaixe.
- ◆ Para facilitar o armazenamento, é possível remover a pega do corpo da mopa a vapor premindo o botão de desbloqueio do tubo da pega (12) e puxando a pega (4) para fora do corpo da mopa a vapor (11).

Fixar a cabeça de vapor (fig. C)

- ◆ Faça deslizar a extremidade inferior do corpo da mopa a vapor (11) em direcção à cabeça de vapor (5) até ouvir um clique de encaixe.
- ◆ É possível remover a cabeça de vapor do corpo da mopa a vapor premindo o botão de desbloqueio da cabeça de vapor (13) e puxando o corpo da mopa a vapor (11) para fora da cabeça de vapor (5).

Fixar um pano de limpeza (fig. D)

Encontram-se disponíveis panos de limpeza sobresselentes no seu agente Black & Decker (cat. nº. FSMP20-XJ).

- ◆ Coloque um pano de limpeza (6) no chão com o lado de 'gancho e argola' para cima.
- ◆ Prima ligeiramente a mopa a vapor para baixo sobre o pano de limpeza (6).

Cuidado! Quando não a estiver a utilizar, coloque sempre a mopa a vapor no tapete de descanso (7) com a pega (4) na posição vertical, certificando-se de que se encontra desligada.

Remover um pano de limpeza (fig. E)

Cuidado! Calce sempre sapatos adequados ao mudar o pano de limpeza da mopa a vapor. Não calce chinelos nem sandálias.

- ◆ Volte a colocar a pega (4) na posição vertical e DESLIGUE a mopa a vapor.
- ◆ Coloque a mopa a vapor no tapete de descanso e deixe-a arrefecer. (aproximadamente cinco minutos)
- ◆ Coloque a parte da frente do seu sapato na patilha de remoção do pano de limpeza (14) e prima para baixo com firmeza.
- ◆ Levante a mopa a vapor do pano de limpeza.

Cuidado! Quando não a estiver a utilizar, coloque sempre a mopa a vapor no tapete de descanso (7) com a pega (4) na posição vertical, certificando-se de que se encontra desligada.

Montagem do acessório para alcatifas (fig. F) (apenas FSM1600 & FSM1600D)

- ◆ Coloque o acessório para alcatifas no chão.
- ◆ Prima ligeiramente a mopa a vapor para baixo sobre o acessório para alcatifas (8) até ouvir um clique de encaixe.

Cuidado! Quando não a estiver a utilizar, coloque sempre a mopa a vapor no tapete de descanso (7) com a pega (4) na posição vertical, certificando-se de que se encontra desligada.

Remoção do acessório para alcatifas (fig. G) (apenas FSM1600 & FSM1600D)

Cuidado! Calce sempre sapatos adequados ao mudar o acessório para alcatifas da mopa a vapor. Não calce chinelos nem sandálias.

- ◆ Volte a colocar a pega (4) na posição vertical e DESLIGUE a mopa a vapor.
- ◆ Coloque a mopa a vapor no tapete de descanso e deixe-a arrefecer. (aproximadamente cinco minutos)
- ◆ Coloque a parte da frente do seu sapato na patilha de remoção do acessório para alcatifas (15) e prima para baixo com firmeza.
- ◆ Levante a mopa a vapor do acessório para alcatifas (8).

Cuidado! Quando não a estiver a utilizar, coloque sempre a mopa a vapor no tapete de descanso (7) com a pega (4) na posição vertical, certificando-se de que se encontra desligada.

Encher o reservatório de água (fig. H, I e J)

Esta mopa a vapor incorpora um sistema anti-calcário para ajudar a prolongar a vida do sistema.

Nota: Encha o reservatório de água com água limpa da torneira.

Nota: Em zonas de água muito dura (com grande concentração de calcário), recomendamos a utilização de água desionizada.

- ◆ Certifique-se de que o aparelho está desligado e de que o cabo de alimentação está desligado da tomada.
- ◆ Coloque a mopa a vapor no tapete de descanso (7) com a pega (4) na posição vertical.
- ◆ Retire a tampa de enchimento (16) rodando-a no sentido oposto aos ponteiros do relógio.
- ◆ Encha o reservatório(3) com água.

Atenção! O reservatório tem uma capacidade de meio litro. Não encha o reservatório acima da marca de enchimento máximo.

- ◆ Coloque a tampa de enchimento (16) rodando-a firmemente no sentido dos ponteiros do relógio.

Nota: Quando não se encontrar em utilização o recipiente poderá ser encaixado na pega, para facilitar o armazenamento (fig. J) (apenas FSM1600 & FSM1600D)

Nota: Certifique-se de que o tampão de enchimento está colocado correctamente. Uma colocação incorrecta do tampão de enchimento impedirá a mopa a vapor de funcionar.

Utilização**Ligar e desligar**

- ◆ Para ligar o aparelho, prima o botão LIGAR/DESLIGAR (1). A mopa a vapor demora aproximadamente 15 segundos a aquecer.

Nota: Quando a mopa a vapor é ligada pela primeira vez, o reservatório de água brilhara a vermelho. Quando a mopa a vapor estiver pronta a utilizar, o reservatório de água brilhara a azul.

- ◆ Para desligar o aparelho, prima o botão LIGAR/DESLIGAR (1).




Cuidado! Nunca deixe a mopa a vapor no mesmo ponto de uma superfície durante muito tempo. Quando não a estiver a utilizar, coloque sempre a mopa a vapor no tapete de descanso (7) com a pega (4) na posição vertical, certificando-se de que se encontra desligada.

Cuidado! Esvazie sempre a mopa a vapor após a utilização.

Tecnologia Autoselect™

Esta mopa a vapor inclui um mostrador Autoselect™ (2) que mostra várias aplicações de limpeza. São utilizadas para seleccionar o modo de funcionamento correcto para uma operação de limpeza específica.

Utilizando o mostrador Autoselect™ (2), escolha uma das seguintes aplicações:

	Madeira/Laminado
	Pedra/Mármore
	Mosaicos/Vinil

A mopa a vapor seleccionará o volume de vapor correcto necessário para a operação de limpeza específica.

Sugestões para uma utilização ideal

Gerais

Cuidado! Nunca utilize a mopa a vapor sem fixar primeiro um pano de limpeza.

- ◆ aspire ou limpe sempre o chão antes de utilizar a mopa a vapor.
- ◆ A forma mais fácil de utilizar a máquina é inclinando a pega com um ângulo de 45° e limpando lentamente, cobrindo uma área pequena de cada vez.
- ◆ Não utilize produtos de limpeza químicos com a mopa a vapor. Para remover manchas persistentes de pisos de vinil ou linóleo, poderá efectuar um tratamento prévio com um detergente suave e um pouco de água antes de utilizar a mopa a vapor.

Limpeza a vapor

- ◆ Coloque um pano de limpeza (6) no chão com o lado de 'gancho e argola' para cima.
- ◆ Levante a mopa a vapor do tapete de descanso (7) e prima-a ligeiramente para baixo sobre o pano de limpeza (6).
- ◆ Coloque a mopa a vapor no tapete de descanso.
- ◆ Ligue a mopa a vapor à corrente eléctrica.
- ◆ Rode o mostrador Autoselect™ (2) para a posição pretendida.

- ◆ Prima o botão LIGADO/DESLIGADO (1). A mopa a vapor demora aproximadamente 15 segundos a aquecer.
- ◆ Puxe a pega (4) para trás para activar a bomba de vapor. Após alguns segundos, começará a sair vapor da cabeça de vapor.
- ◆ O vapor demora alguns segundos a entrar no pano de limpeza. A mopa a vapor deslizará agora facilmente sobre a superfície a desinfectar/limpar.
- ◆ Empurre e puxe lentamente a mopa a vapor ao longo do chão para limpar profundamente a vapor todas as secções do chão.

Nota: Durante a utilização poderá desligar a bomba de vapor voltando a colocar a pega na posição vertical. Esta prática funcionalidade permite pousar a mopa a vapor no tapete de descanso por curtos períodos de tempo, para que possa mover os móveis e continuar a limpeza sem precisar de desligar o aparelho.

- ◆ Quando tiver acabado de utilizar a mopa a vapor, coloque novamente a pega (4) na posição vertical. DESLIGUE a mopa, coloque-a no tapete de descanso (7) e aguarde até que arrefeça. (aproximadamente cinco minutos)

Cuidado! É importante monitorizar o nível de água no reservatório. Para atestar o reservatório de água e continuar a desinfecção/limpeza, volte a colocar a pega (4) na posição vertical e DESLIGUE a mopa a vapor. Desligue a unidade da tomada eléctrica e ateste o reservatório de água (3) utilizando o recipiente (9) fornecido.

Cuidado! Nunca deixe a mopa a vapor no mesmo ponto de uma superfície durante muito tempo. Quando não a estiver a utilizar, coloque sempre a mopa a vapor no tapete de descanso (7) com a pega (4) na posição vertical, certificando-se de que se encontra desligada.

Limpeza de alcatifas

- ◆ Coloque um pano de limpeza (6) no chão com o lado de 'gancho e argola' para cima.
- ◆ Levante a mopa a vapor do tapete de descanso (7) e prima-a ligeiramente para baixo sobre o pano de limpeza (6).
- ◆ Coloque o acessório para alcatifas (8) no chão.
- ◆ Prima ligeiramente a mopa a vapor para baixo sobre o acessório para alcatifas (8) até ouvir um clique de encaixe.
- ◆ Coloque a mopa a vapor no tapete de descanso. (7)
- ◆ Ligue a mopa a vapor à corrente eléctrica.
- ◆ Rode o mostrador Autoselect™ (2) para a posição Madeira/Laminado.
- ◆ Prima o botão LIGADO/DESLIGADO (1). A mopa a vapor demora aproximadamente 15 segundos a aquecer.
- ◆ Puxe a pega (4) para trás para activar a bomba de vapor. Após alguns segundos, começará a sair vapor da cabeça de vapor.

- ◆ Empurre e puxe lentamente a mopa a vapor ao longo da alcatifa para limpar todas as secções em profundidade.

Nota: Durante a utilização poderá desligar a bomba de vapor voltando a colocar a pega (4) na posição vertical. Esta prática funcionalidade permite pousar a mopa a vapor no tapete de descanso (7) para que possa mover os móveis sem precisar de desligar o aparelho.

- ◆ Quando tiver acabado de utilizar a mopa a vapor, coloque novamente a pega (4) na posição vertical. DESLIGUE a mopa, coloque-a no tapete de descanso (7) e aguarde até que arrefeça. (aproximadamente cinco minutos)

Cuidado! É importante monitorizar o nível de água no reservatório. Para atestar o reservatório de água e continuar a desinfecção/limpeza, volte a colocar a pega (4) na posição vertical e DESLIGUE a mopa a vapor. Desligue a unidade da tomada eléctrica e ateste o reservatório de água utilizando o recipiente fornecido.

Cuidado! Nunca deixe a mopa a vapor no mesmo ponto de uma superfície durante muito tempo. Quando não a estiver a utilizar, coloque sempre a mopa a vapor no tapete de descanso (7) com a pega (4) na posição vertical, certificando-se de que se encontra desligada.

Após a utilização (fig. K e L)

- ◆ Volte a colocar a pega (4) na posição vertical e DESLIGUE a mopa a vapor.
- ◆ Coloque a mopa a vapor no tapete de descanso (7) e deixe-a arrefecer. (aproximadamente cinco minutos)
- ◆ Desligue a mopa a vapor da tomada eléctrica.
- ◆ Esvazie o reservatório de água (3).
- ◆ Remova o pano de limpeza (6) e lave-o para que fique pronto para a próxima utilização. (Tenha o cuidado de seguir as instruções de lavagem impressas no pano.)
- ◆ Enrole o cabo de alimentação à volta dos ganchos de organização (18 e 19).

Nota: O gancho superior de organização dos cabos (19) roda para desbloquear facilmente o cabo, ficando pronto para a próxima utilização.

- ◆ Prensse o cabo de alimentação no clip de organização (20) junto da ficha.
- ◆ Coloque a mopa a vapor no tapete de descanso (7) para armazenamento.

Nota: Com a pega (4) na posição vertical e o cabo enrolado de forma ordenada em torno dos ganchos de organização (18 e 19) e fixado no clip de organização (20), a sua mopa a vapor estará pronta a ser arrumada. Em alternativa, é disponibilizado um suporte para pendurar (21) incorporado no punho (10) que permite pendurar a mopa num gancho adequado na parede. Certifique-se sempre de que o gancho na parede suporta com segurança o peso da mopa a vapor.

Manutenção e limpeza

O aparelho Black & Decker com fio foi concebido para funcionar por um longo período de tempo com uma manutenção mínima. Um funcionamento contínuo e satisfatório depende de uma manutenção adequada e da limpeza regular do aparelho.

Atenção! Antes de executar qualquer operação de manutenção ou limpeza num aparelho com fio, desligue-o e retire a ficha da tomada.

- ◆ Limpe o aparelho com um pano suave humedecido.
- ◆ Para as manchas mais persistentes, poderá utilizar uma solução suave de sabão e água para humedecer o pano.

Manutenção dos planos de limpeza

Instruções de lavagem - Sem condicionadores para têxteis - Deixe secar completamente antes de voltar a utilizar.

Cuidado! Siga as instruções de limpeza impressas na etiqueta do pano de limpeza.

Substituição da ficha de alimentação (apenas Reino Unido e Irlanda)

Se for necessário montar uma nova ficha de alimentação:

- ◆ Elimine com segurança a ficha antiga.
- ◆ Ligue o cabo castanho ao terminal activo da nova ficha.
- ◆ Ligue o cabo azul ao terminal neutro.
- ◆ Ligue o cabo verde/amarelo ao terminal terra.

Atenção! Siga as instruções de montagem fornecidas e utilize fichas de boa qualidade. Fusível recomendado: 13A.

Protecção do ambiente



Recolha separada. Este produto não pode ser eliminado juntamente com os resíduos domésticos normais.

Se, em algum momento, for necessário substituir este produto Black & Decker ou se este deixar de ter utilidade, não elimine o produto num caixote do lixo. Este produto pode ser separado para reciclagem.



A recolha separada de produtos e embalagens usados permite que os materiais sejam reciclados e reutilizados. A reutilização de materiais reciclados ajuda a evitar a poluição ambiental e reduz a procura de matérias-primas.

A legislação local poderá prever a recolha separada de produtos domésticos eléctricos, seja em lixeiras municipais ou através do revendedor quando adquire um produto novo.

A Black & Decker dispõe de instalações para recolha e reciclagem de produtos Black & Decker quando estes atingem o fim da vida útil. Para usufruir deste serviço, devolva o produto em qualquer agente de reparação autorizado, que os recolherá em seu nome.

Pode verificar a localização do agente de reparação autorizado mais perto de si, contactando os escritórios locais da Black & Decker através do endereço indicado neste manual. Se preferir, está disponível na Internet uma lista de agentes de reparação autorizados Black & Decker, com os contactos e detalhes completos do serviço pós-venda, no endereço: www.2helpU.com

Dados técnicos

		FSM1600 FSM1600D (Tipo 1)	FSM1500 (Tipo 1)
Tensão	V_{ac}	230	230
Potência	W	1600	1500
Capacidade do reservatório	l	0,5	0,5
Peso	kg	2,52	2,52

Garantia

A Black & Decker confia na qualidade dos seus produtos e oferece uma garantia excelente. Esta declaração de garantia é um complemento dos seus direitos estabelecidos por lei, não os prejudicando de forma alguma. A garantia é válida nos territórios dos Estados Membros da União Europeia e da Associação Europeia de Comércio Livre.

Se um produto Black & Decker avariar devido a defeitos de material, fabrico ou não conformidade, num período de 24 meses após a data da compra, a Black & Decker garante a substituição das peças defeituosas, a reparação de produtos sujeitos a um desgaste aceitável ou a substituição dos mesmos para garantir o mínimo de inconvenientes ao cliente, excepto se:

- ◆ O produto tiver sido utilizado para fins comerciais, profissionais ou de aluguer.
- ◆ O produto tiver sido submetido a utilização indevida ou descuido;
- ◆ O produto tiver sido danificado por objectos estranhos, substâncias ou acidentes;
- ◆ Tiverem sido tentadas reparações por pessoas que não sejam agentes de reparação autorizados ou técnicos de manutenção da Black & Decker.

Para accionar a garantia, terá de apresentar comprovativos de compra ao vendedor ou a um agente de reparação autorizado. Pode verificar a localização do agente de reparação autorizado mais perto de si, contactando os escritórios locais da Black & Decker através do endereço indicado neste manual. Se preferir, pode encontrar na Internet uma lista de agentes de reparação autorizados Black & Decker, detalhes completos e contactos do serviço pós-venda, no endereço: www.2helpU.com

Visite o nosso website www.blackanddecker.pt para registar o novo produto Black & Decker e manter-se actualizado relativamente a novos produtos e ofertas especiais. Pode encontrar mais informações sobre a marca Black & Decker e sobre a nossa gama de produtos em www.blackanddecker.pt

Användningsområde

Din Black & Decker-ångmopp har utformats för sanering och rengöring av förseglade hårdträ-, förseglade laminat-, linoleum-, vinyl-, kakel-, sten- och marmorgolv för uppfärskning av mattor. Apparaten är endast avsedd för inomhusbruk i hemmet.

Säkerhetsföreskrifter



Varning! Läs alla säkerhetsföreskrifter och alla anvisningar. Fel som uppstår till följd av att säkerhetsföreskrifterna och anvisningarna nedan inte följts kan orsaka elstöt, brand och/eller allvarliga kroppsskador.



Varning! Vid användning av nätdrivna apparater ska grundläggande säkerhetsföreskrifter, inklusive följande föreskrifter, alltid följas. Detta för att förhindra brand, stöt, personskador och materialskador.

- ◆ Läs hela den här bruksanvisningen noggrant innan du använder apparaten.
- ◆ Använd apparaten på det sätt som beskrivs i den här bruksanvisningen. Använd inte apparaten med andra tillbehör än de som rekommenderas i den här bruksanvisningen och inte heller till andra användningsområden eftersom det kan leda till personskador.
- ◆ Spara den här bruksanvisningen för framtida bruk.

Använda apparaten

- ◆ Rikta inte ångan direkt mot andra människor, djur, elektriska apparater eller eluttag.
- ◆ Utsätt inte apparaten för regn.
- ◆ Doppa aldrig apparaten i vatten.
- ◆ Lämna aldrig apparaten oövervakad.
- ◆ Lämna aldrig apparaten ansluten till ett eluttag när den inte används.
- ◆ Dra aldrig i nätsladden när du kopplar bort apparaten från eluttaget. Håll apparatens sladd borta från värme, olja och vassa kanter.
- ◆ Hantera inte ångrengöraren med våta händer.
- ◆ Dra inte eller bär apparaten i sladden. Använd inte sladden som handtag, kläm inte sladden i en dörr, dra inte sladden runt skarpa hörn och utsätt aldrig sladden för varma ytor.
- ◆ Använd inte apparaten i ett slutet utrymme fyllt med ångor från oljebaserat lacktinner, vissa malmedel, lättantändligt damm eller andra explosiva eller giftiga ångor.
- ◆ Kontrollera golvtypen med tillverkaren.

- ◆ Använd inte på läder, vaxpolerade möbler eller golv, syntetytter, sammet eller andra ömtåliga eller ångkänsliga material.



Varning! Använd inte på oförseglade trägolv eller oförseglade laminatgolv. På ytor som har behandlats med vax eller vissa vaxfria golv, kan glansen försvinna av värmen och ångan. Det rekommenderas alltid att du testar att rengöra en begränsad yta innan du fortsätter. Vi rekommenderar också att du kontrollerar användnings- och skötselinstruktionerna från golv tillverkaren.

- ◆ Lägg aldrig i avkalkningsmedel, aromatiska ämnen, alkoholhaltiga vätskor eller rengöringsmedel i ångrengöraren eftersom det kan skada den eller göra den osäker att använda.
- ◆ Om jordfelsbrytaren utlöses när du använder ångfunktionen avbryter du genast användningen och kontaktar kundsupportcentret. (Var aktsam – risk för stöt.)
- ◆ Apparaten avger väldigt het ånga som sanerar arbetsytan. Det betyder att ånghuvudet, rengöringsdynorna och matfyllsatsen blir väldigt varma under användning.
- ◆ **Försiktighet!** Använd alltid lämpliga skor när du använder ångmoppen och när du byter tillbehör på den. Använd inte tofflor eller öppna skor.
- ◆ Locket kan bli varmt under användning.
- ◆ Ånga kan strömma ut från apparaten under användning.
- ◆ Försiktighet ska iaktas vid användning av apparaten. VIDRÖR INTE några delar som blir varma under användning.
- ◆ Stäng av apparaten och sätt tillbaka handtaget i stående läge innan du tar bort locket på vattenbehållaren.
- ◆ Endast för användning på golv. Använd inte enheten upp och ned. Apparaten är endast avsedd för inomhusbruk i hemmet.

Efter användning

- ◆ Koppla bort apparaten och låt den svalna innan rengöring.
- ◆ När apparaten inte används bör den förvaras torr.
- ◆ Barn ska inte ha tillgång till apparater under förvaring.

Kontroll och reparationer

- ◆ Koppla bort apparaten och låt den svalna innan du utför något underhåll eller reparationer på den.
- ◆ Innan användning bör du kontrollera att apparaten är hel och att inga delar är skadade. Kontrollera att inga delar är trasiga, att strömbrytaren fungerar och att inget annat föreligger som kan påverka apparatens funktion.
- ◆ Kontrollera regelbundet att nätsladden inte har skadats.
- ◆ Använd inte apparaten om någon del har skadats eller gått sönder.
- ◆ Reparera eller byt ut skadade eller trasiga delar på en auktoriserad verkstad.

- ◆ Försök aldrig ta bort eller byta ut andra delar än de som anges i den här bruksanvisningen.

Säkerhet för andra

- ◆ Redskapet ska inte användas av personer (inklusive barn) med nedsatt fysisk eller psykisk förmåga eller bristande erfarenhet och kunskap om de inte får vägledning och övervakas av en person som ansvarar för deras säkerhet.
- ◆ Barn ska hållas under uppsikt så att de inte leker med verktyget.

Övriga risker.

Ytterligare risker som inte finns med i de bifogade säkerhetsföreskrifterna kan uppstå när verktyget används. Dessa risker kan uppstå vid felaktig användning, långvarig användning, o.s.v.

Även om alla relevanta säkerhetsföreskrifter följs och säkerhetsanordningar används kan vissa ytterligare risker inte undvikas. Dessa innefattar:

- ◆ Skador orsakade av att rörliga delar vidrörs.
- ◆ Skador orsakade av att varma delar vidrörs.
- ◆ Skador som uppstår vid byte av delar eller tillbehör.
- ◆ Skador som orsakas av långvarig användning av apparaten. Se till att ta regelbundna raster när du använder en apparat under en längre period.

Elektrisk säkerhet



Varning! Produkten måste skyddsjordas. Kontrollera alltid att nätspänningen överensstämmer med värdet på typskylten.

Verktygets stickpropp måste passa till vägguttaget. Stickkontakten får absolut inte ändras. Med oförändrade stickkontakter och passande vägguttag minskas risken för elstötar.

- ◆ **Om nätsladden är skadad måste den för undvikande av fara bytas ut av tillverkaren eller en auktoriserad Black & Decker-verkstad.**

Förlängningskablar och klass 1-produkt

- ◆ Eftersom apparaten är skyddsjordad och konstruerad enligt klass 1 måste en tretrådig kabel användas.
- ◆ Kabeln kan vara upp till 30 m lång utan att effekten försämras.

Etiketter på apparaten

Följande symboler finns på redskapet:



Varning! Läs bruksanvisningen före användning för att minska risken för olyckor.



Varning! Risk för skällning.

Funktioner

Detta redskap har några eller samtliga av följande funktioner.

1. Strömbrytare
2. Autoselect™-ratt
3. Vattenbehållare
4. Handtag
5. Ånghuvud
6. Rengöringsdyna
7. Stödmatta
8. Mattglidskena (endast FSM1600 & FSM1600D)
9. Påfyllningskanna (endast FSM1600 & FSM1600D)

Montering

Varning! Innan du gör något av nedanstående ska du kontrollera att apparaten är avstängd, att sladden inte sitter i och att den har svalnat och inte innehåller vatten.

Montera handtaget (fig. A och B)

- ◆ Skjut in handgreppet (10) i handtaget (4) tills det klickar på plats.
- ◆ Skjut in den nedre delen av handtaget (4) i den övre änden av ångmoppen (11) tills det klickar på plats.
- ◆ Du kan ta bort handtaget bort från ångmoppen genom att trycka på frigöringsknappen (12) och dra ut handtaget (4) ur ångmoppen (11).

Montera ånghuvudet (fig. C)

- ◆ Skjut fast den nedre delen av ångmoppen (11) på ångmoppen (5) tills den klickar på plats.
- ◆ Du kan ta bort ånghuvudet från ångmoppen genom att trycka på frigöringsknappen (13) och dra bort ångmoppen (11) från ånghuvudet (5).

Montera en rengöringsdyna (fig. D)

Rengöringsdynor finns att köpa hos din Black & Decker-återförsäljare (katalognr. FSMP20-XJ).

- ◆ Placera en rengöringsdyna (6) på golvet med "krok och hake"-sidan uppåt.
- ◆ Tryck försiktigt ned ångmoppen på rengöringsdynan (6).

Försiktighet! Placera alltid ångmoppen på stödmattan (7) med handtaget (4) uppåt när den inte används och se till att den är avstängd.

Ta bort en rengöringsdyna (fig. E)

Försiktighet! Använd alltid lämpliga skor när du byter rengöringsdyna på ångmoppen. Använd inte tofflor eller öppna skor.

- ◆ Sätt tillbaka handtaget (4) i stående läge och stäng av ångmoppen.
- ◆ Placera ångmoppen på stödmattan och vänta på att den svalnar. (cirka fem minuter)
- ◆ Placera din skos framsida på rengöringsdynamns borttagningsflik (14) och trampa ned försiktigt.
- ◆ Lyft försiktigt upp ångmoppen från rengöringsdynam.

Försiktighet! Placera alltid ångmoppen på stödmattan (7) med handtaget (4) uppåt när den inte används och se till att den är avstängd.

Sätta fast mattglidskenan (fig. F) (endast FSM1600 & FSM1600D)

- ◆ Placera mattglidskenan på golvet.
- ◆ Tryck försiktigt ned ångmoppen på mattglidskenan (8) tills den klickar på plats.

Försiktighet! Placera alltid ångmoppen på stödmattan (7) med handtaget (4) uppåt när den inte används och se till att den är avstängd.

Ta bort mattglidskenan (fig. G) (endast FSM1600 & FSM1600D)

Försiktighet! Använd alltid lämpliga skor när du byter mattglidskena på ångmoppen. Använd inte tofflor eller öppna skor.

- ◆ Sätt tillbaka handtaget (4) i stående läge och stäng av ångmoppen.
- ◆ Placera ångmoppen på stödmattan och vänta på att den svalnar. (cirka fem minuter)
- ◆ Placera din skos framsida på mattglidskenans borttagningsflik (15) och trampa ned försiktigt.
- ◆ Lyft försiktigt upp ångmoppen från mattglidskenan (8).

Försiktighet! Placera alltid ångmoppen på stödmattan (7) med handtaget (4) uppåt när den inte används och se till att den är avstängd.

Fylla vattenbehållaren (fig. H, I och J)

Den här ångmoppen har ett avkalkningssystem som förlänger dess livslängd.

Obs! Fyll vattenbehållaren med rent kranvatten.

Obs! I områden med väldigt hårt vatten rekommenderas att du använder avjoniserat vatten.

- ◆ Se till att apparaten är avstängd och att nätsladden är bortkopplad.
- ◆ Placera ångmoppen på stödmattan (7) med handtaget (4) uppåt.
- ◆ Ta bort påfyllningslocket (16) genom att vrida det moturs.
- ◆ Fyll behållaren (3) med vatten.

Varning! Behållaren rymmer 0,5 liter. Fyll aldrig behållaren över Max. markeringen.

- ◆ Montera påfyllningslocket (16) genom att vrida det ordentligt medurs.

Obs! När påfyllningskannen inte används kan den fästas i handtaget och förvaras där (fig. J) (endast FSM1600 & FSM1600D)

Obs! Se till att påfyllningslocket är ordentligt säkrat. Felaktig montering av påfyllningslocket gör att ångmoppen inte startar.

Användning

Slå på och av

- ◆ Starta apparaten genom att trycka på strömbrytaren (1). Det tar cirka 15 sekunder för ångmoppen att värmas upp.

Obs! När ångmoppen slås på, börjar vattenbehållaren att glöda med rött sken. När ångmoppen är redo att användas börjar vattenbehållaren att glöda med blått sken.

- ◆ Stäng av apparaten genom att trycka in strömbrytaren (1).


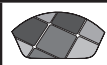

Försiktighet! Lämna aldrig ångmoppen på samma plats på ytan under längre tid. Placera alltid ångmoppen på stödmattan (7) med handtaget (4) uppåt när den inte används och se till att den är avstängd.

Försiktighet! Töm alltid ångmoppen när du är klar.

Autoselect™-teknik

Denna ångmopp är utrustad med en Autoselect™-rätt (2) som visar olika rengöringstillämpningar. De används för att välja rätt arbetssätt anpassat efter vad som ska rengöras.

Med Autoselect™-rätten (2) väljer du en av följande tillämpningar:

	Trä/laminat
	Sten/marmor
	Kakel/vinyl

Ångmoppen väljer rätt ångmängd anpassat efter vad som ska rengöras.

Råd för optimal användning

Allmänt

Försiktighet! Använd aldrig ångmoppen utan att först montera en rengöringsdyna.

- ◆ Dammsug eller sopa golvet innan du använder ångmoppen.
- ◆ Det enklaste sättet att använda maskinen är att luta handtaget 45° och sedan försiktigt långsamt rengöra en liten yta åt gången.
- ◆ Använd inte kemiska rengöringsmedel med ångmoppen. Om du ska ta bort besvärliga fläckar från vinyl- eller linoleumgolv kan du förbehandla med ett mildt rengöringsmedel innan du använder ångmoppen.

Ångrengöring

- ◆ Placera en rengöringsdyna (6) på golvet med "krok och hake"-sidan uppåt.
- ◆ Lyft försiktigt upp ångmoppen från stödmattan (7) och tryck försiktigt ned den på rengöringsdynan (6).
- ◆ Placera ångmoppen på stödmattan.
- ◆ Anslut ångmoppen till elnätet.
- ◆ Vrid Autoselect™-ratten (2) till önskat läge.
- ◆ Tryck på strömbrytaren (1). Det tar cirka 15 sekunder för ångmoppen att värmas upp.
- ◆ Aktivera ångpumpen genom att dra tillbaka handtaget (4). Efter några sekunder börjar ånga strömma ut ur ånghuvudet.
- ◆ Det tar några sekunder för ångan att komma in i rengöringsdynan. Ångmoppen glider nu lätt över ytan som ska saneras/rengöras.
- ◆ Tryck och dra ångmoppen försiktigt över golvet för en grundlig ångrengöring av varje sektion.

Obs! Under användning kan du stänga av ångpumpen genom att föra tillbaka handtaget till stående läge. Då kan du enkelt placera ångmoppen på stödmattan under en kort stund så att du kan flytta på möbler och sedan fortsätta rengöra utan att behöva stänga av apparaten.

- ◆ När du är klar återställer du handtaget till (4) till stående läge och stänger av apparaten. Placera den på stödmattan (7) och vänta på att den svalnar. (cirka fem minuter)

Försiktighet! Det är viktigt att kontrollera vattennivån i vattenbehållaren. Om du vill fylla på vattenbehållaren och fortsätta saneringen/rengöringen sätter du tillbaka handtaget (4) i stående läge och stänger av ångmoppen. Koppla bort enheten från eluttaget och fyll på vattenbehållaren (3) med den medföljande påfyllningskannan (9).

Försiktighet! Lämna aldrig ångmoppen på samma plats på ytan under längre tid. Placera alltid ångmoppen på stödmattan (7) med handtaget (4) uppåt när den inte används och se till att den är avstängd.

Uppfräschning av matta

- ◆ Placera en rengöringsdyna (6) på golvet med "krok och hake"-sidan uppåt.
- ◆ Lyft försiktigt upp ångmoppen från stödmattan (7) och tryck försiktigt ned den på rengöringsdynan (6).
- ◆ Placera mattglidskenan (8) på golvet.
- ◆ Tryck försiktigt ned ångmoppen på mattglidskenan (8) tills den klickar på plats.
- ◆ Placera ångmoppen på stödmattan. (7)
- ◆ Anslut ångmoppen till elnätet.
- ◆ Vrid Autoselect™-ratten (2) till Trä/laminat-läget.
- ◆ Tryck på strömbrytaren (1). Det tar cirka 15 sekunder för ångmoppen att värmas upp.
- ◆ Aktivera ångpumpen genom att dra tillbaka handtaget (4). Efter några sekunder börjar ånga strömma ut ur ånghuvudet.

- ◆ Tryck och dra ångmoppen försiktigt över mattan för en grundlig uppfräschning av varje sektion.

Obs! Under användning kan du stänga av ångpumpen genom att föra tillbaka handtaget (4) till stående läge. Då kan du enkelt placera ångmoppen på stödmattan (7) under en kort stund så att du kan flytta på möbler och sedan fortsätta rengöra utan att behöva stänga av apparaten.

- ◆ När du är klar återställer du handtaget till (4) till stående läge och stänger av apparaten. Placera den på stödmattan (7) och vänta på att den svalnar. (cirka fem minuter)

Försiktighet! Det är viktigt att kontrollera vattennivån i vattenbehållaren. Om du vill fylla på vattenbehållaren och fortsätta saneringen/rengöringen sätter du tillbaka handtaget (4) i stående läge och stänger av ångmoppen. Koppla bort enheten från eluttaget och fyll på vattenbehållaren med den medföljande påfyllningskannan.

Försiktighet! Lämna aldrig ångmoppen på samma plats på ytan under längre tid. Placera alltid ångmoppen på stödmattan (7) med handtaget (4) uppåt när den inte används och se till att den är avstängd.

Efter användning (fig. K och L)

- ◆ Sätt tillbaka handtaget (4) i stående läge och stäng av ångmoppen,
- ◆ Placera ångmoppen på stödmattan (7) och vänta på att den svalnar. (cirka fem minuter)
- ◆ Koppla bort ångmoppen från eluttaget.
- ◆ Töm vattenbehållaren (3).
- ◆ Ta bort rengöringsdynan (6) och tvätta den så den är klar för nästa användning. (Följ tvättråden som är tryckta på rengöringsdynan).
- ◆ Vira upp nätkabeln runt krokarna på apparaten (18 och 19).

Obs! Den översta kroken (19) kan rotera så det blir lätt att ta loss sladden nästa gång.

- ◆ Fäst nätsladden i klipset (20) nära kontakten.
- ◆ Placera ångmoppen på stödmattan (7) för förvaring.

Obs! Med handtaget (4) i stående läge och kabeln tätt virad runt krokarna (18 och 19) och säkrad i klipset (20) kommer ångmoppen att stå av sig själv medan den förvaras. Alternativt finns det en upphängningskrok (21) inbyggd i handtaget (10) som gör det möjligt att hänga upp ångmoppen i en krok på väggen. Kontrollera alltid att kroken klarar ångmoppens tyngd.

Underhåll och rengöring

Den här Black & Decker-apparaten har konstruerats för att fungera under lång tid med minsta möjliga underhåll. Med rätt underhåll och regelbunden rengöring behåller apparaten sina prestanda.

Varning! Stäng av apparaten och dra ut nätkontakten innan du utför underhåll på eller rengör den.

- ◆ Rengör apparaten regelbundet med en fuktigt trasa.

- ◆ Svåra fläckar kan rengöras med en trasa fuktad med en mild tvålösning.

Skötsel av rengöringsdynorna

Tvåtråd – Inga mjukmedel – Låt alltid torka helt innan återanvändning.

Försiktighet! Följ rengöringsinstruktionerna som är tryckta på rengöringsdynans etikett.

Byte av nätkontakt (endast Storbritannien och Irland)

Byt kontakten på följande sätt:

- ◆ Gör dig av med den gamla kontakten på lämpligt sätt.
- ◆ Anslut den bruna ledningen till den strömförande anslutningen i den nya kontakten.
- ◆ Anslut den blå ledningen till den icke strömförande anslutningen.
- ◆ Anslut den grön/gula ledningen till jordanslutningen.

Varning! Följ monteringsanvisningarna som medföljer kontakter av god kvalitet. Rekommenderad säkring: 13A.

Miljö



Separat insamling. Produkten får inte kastas i hushållssoporna.

Tänk på miljön när du slänger denna Black & Decker-produkt. Släng den inte tillsammans med hushållsavfallet. Lämnna produkten för separat insamling.



Insamling av uttjänta produkter och förpackningsmaterial gör att material kan återanvändas. Användning av återvunnet material minskar föroreningar av miljön och behovet av råmaterial.

Lokala föreskrifter kan kräva separat insamling av elprodukter från hushållen, vid kommunala samlingsplatser eller hos återförsäljaren när du köper en ny produkt.

Black & Decker samlar in och återvinner uttjänta Black & Decker-produkter. Om du vill utnyttja denna tjänst återlämnar du produkten till en auktoriserad verkstad, som samlar in den för vår räkning.

För information om närmaste auktoriserade verkstad, kontakta det lokala Black & Decker-kontoret på den adress som är angiven i bruksanvisningen. En lista över alla auktoriserade Black & Decker-verkstäder samt servicevillkor finns på Internet: www.2helpU.com

Tekniska data

		FSM1600 FSM1600D (Typ 1)	FSM1500 (Typ 1)
Spänning	V_{AC}	230	230
Effekt	W	1600	1500
Behållarens kapacitet	l	0,5	0,5
Vikt	kg	2,52	2,52

Garanti

Black & Decker garanterar att produkten är fri från material- och/eller fabriktionsfel vid leverans till kund. Garantin gäller utöver konsumentens rättigheter enligt lag och påverkar inte dessa. Garantin gäller inom medlemsstaterna i Europeiska Unionen och i det Europeiska Frihandelsområdet.

Om en Black & Decker-produkt går sönder på grund av material- och/eller fabriktionsfel eller brister i överensstämmelse med specifikationen, inom 24 månader från köpet, åtar sig Black & Decker att reparera eller byta ut produkten med minsta besvär för kunden, förutom om:

- ◆ Produkten har använts i kommersiellt eller yrkesmässigt syfte eller i uthyringssyfte.
- ◆ Produkten har utsatts för felaktig användning eller skötsel.
- ◆ Produkten har skadats av främmande föremål, ämnen eller genom olyckshändelse.
- ◆ Reparation har utförts av någon annan än en auktoriserad Black & Decker-verkstad.

Vid garantianspråk ska produkten och inköpskvittot lämnas till återförsäljaren eller till en auktoriserad verkstad. För information om närmaste auktoriserade verkstad, kontakta det lokala Black & Decker-kontoret på den adress som är angiven i bruksanvisningen. En lista över alla auktoriserade Black & Decker-verkstäder samt servicevillkor finns även tillgängliga på Internet på: www.2helpU.com

Besök vår webbplats www.blackanddecker.se för att registrera din nya Black & Decker-produkt samt för att erhålla information om nya produkter och specialerbjudanden. Vidare information om märket Black & Decker och vårt produktsortiment återfinns på www.blackanddecker.se

Bruksområde

Dampmoppen fra Black & Decker er utformet for å rense og rengjøre gulv med forseglede hardtre, forseglede laminat, linoleum, vinyl, keramiske fliser, stein og marmor og for å oppfriske tepper. Produktet er bare beregnet for innendørs bruk i hjemmet.

Sikkerhetsinstruksjoner



Advarsel! Les alle sikkerhetsadvarsler og alle instruksjoner. Hvis advarslene og anvisningene nedenfor ikke overholdes, kan det medføre elektrisk støt, brann og/eller alvorlige personskader.



Advarsel! Ved bruk av nettdrevne apparater må grunnleggende sikkerhetsforholdsregler (inkludert punktene som er beskrevet nedenfor) alltid følges for å redusere risikoen for brann, elektrisk støt, personskade og skade på materiell.

- ◆ Les hele denne håndboken nøye før du bruker apparatet.
- ◆ Beregnet bruk er beskrevet i denne håndboken. Hvis du bruker annet tilbehør, kobler til annet utstyr eller bruker dette apparatet til andre oppgaver enn det som er anbefalt i denne håndboken, kan det føre til fare for personskade.
- ◆ Oppbevar denne håndboken for fremtidig bruk.

Bruke produktet

- ◆ Ikke rett damp mot mennesker, dyr, elektriske apparater eller stikkontakter.
- ◆ Må ikke utsettes for regn.
- ◆ Ikke senk produktet ned i vann.
- ◆ Ikke la produktet være uten tilsyn.
- ◆ Ikke la produktet være koblet til en stikkontakt når det ikke er i bruk.
- ◆ Ikke dra i strømledningen når du skal koble produktet fra stikkontakten. Hold ledningen til produktet borte fra varmekilder, olje og skarpe kanter.
- ◆ Ikke håndter damprengjøringsutstyret med våte hender.
- ◆ Ikke trekk eller bær produktet i ledningen, ikke bruk ledningen som håndtak, ikke lukk døren over ledningen, ikke trekk ledningen rundt skarpe hjørner, og ikke utsett ledninger for varme overflater.
- ◆ Ikke bruk produktet i et lukket rom der det er damp fra oljebasert malingstynner, visse møllmidler, antennelig støv eller annen eksplosiv eller giftig damp.
- ◆ Undersøk gulvtypen hos produsenten.
- ◆ Skal ikke brukes på lær, møbler eller gulv polert med voks eller på syntetiske stoffer eller andre sårbare materialer som er følsomme overfor damp.



Advarsel! Må ikke brukes på tre eller laminatgulv som ikke er forseglede. Overflater som er blitt behandlet med voks, og noen gulv uten voks, kan miste glansen på grunn av virkningen av varmen og dampen. Vi anbefaler at du alltid prøver å rengjøre en begrenset del av overflaten før du fortsetter. Vi anbefaler også at du setter deg inn i gulvprodusentens instruksjoner for bruk og vedlikehold.

- ◆ Ha aldri produkter for fjerning av belegg, aromatiske eller alkoholholdige produkter eller vaskemidler i damprengjøringsutstyret, da dette kan skade utstyret eller gjøre det uttrygt å bruke.
- ◆ Hvis sikringen hjemme utløses mens du bruker dampfunksjonen, må du slutte å bruke produktet straks og kontakte kundeservice. (Vær klar over risikoen for elektrisk støt.)
- ◆ Utstyret slipper ut svært varm damp for å rense bruksområdet. Dette betyr at dampodet, rengjøringsputene og teppefilbehøret blir svært varme under bruk.
- ◆ **Forsiktig!** Bruk alltid egnede sko når du utfører dampmopping, og når du bytter tilbehør på dampmoppen. Ikke bruk tøfler eller fottøy med åpne tær.
- ◆ Lokket kan bli varmt under bruk.
- ◆ Det kan komme damp ut av produktet under bruk.
- ◆ Vis varsomhet når du bruker produktet. IKKE BERØR deler som kan bli varme under bruk.
- ◆ Slå produktet av, og sett håndtaket i stående stilling før du fjerner lokket fra vanntanken.
- ◆ Skal bare brukes på gulvet. Ikke bruk enheten opp-ned. Apparatet er bare beregnet for innendørs bruk i hjemmet.

Etter bruk

- ◆ Koble produktet fra strømmen, og la det avkjøles før det rengjøres.
- ◆ Når produktet ikke er i bruk, skal det oppbevares på et tørt sted.
- ◆ Barn skal ikke ha tilgang til apparater som ikke er i bruk.

Kontroll og reparasjon

- ◆ Koble produktet fra stikkontakten, og la det avkjøles før du utfører vedlikehold eller reparasjoner.
- ◆ Kontroller at verktøyet ikke er skadet eller har defekte deler før du bruker det. Undersøk om brytere eller andre deler er skadet, eller om det er andre forhold som kan påvirke bruken.
- ◆ Kontroller jevnlig om strømledningen er skadet.
- ◆ Ikke bruk produktet hvis noen del er skadet eller defekt.
- ◆ Overlat reparasjon eller utskifting av skadde eller defekte deler til et autorisert serviceverksted.
- ◆ Forsøk aldri å fjerne eller skifte ut andre deler enn dem som er oppgitt i denne håndboken.

Andre personers sikkerhet

- ◆ Det er ikke meningen at dette produktet skal brukes av personer (inkludert barn) med reduserte fysiske, sansemessige eller mentale evner, eller som mangler erfaring og kunnskap, med mindre de har fått oppfølging eller instruksjon når det gjelder bruken av produktet, fra en person som er ansvarlig for deres sikkerhet.
- ◆ Barn skal være under oppsyn så du er sikker på at de ikke leker med produktet.

Andre risikoer

Ved bruk av produktet kan det oppstå ytterligere risikoer som kanskje ikke er inkludert i sikkerhetsadvarslene som følger med. Disse risikoene kan bli forårsaket av feil bruk, langvarig bruk osv.

Selv om de relevante sikkerhetsbestemmelsene blir fulgt, og sikkerhetstiltakene blir gjennomført, kan visse gjenværende risikoer ikke unngås. Disse omfatter:

- ◆ Personskader som forårsakes av berøring av en bevegelig del.
- ◆ Personskader som forårsakes av berøring av en varm del.
- ◆ Personskader som forårsakes av å tenne på produktet.
- ◆ Personskader som forårsakes av langvarig bruk av produktet. Når du bruker et produkt i lange perioder, må du sørge for å ta regelmessige pauser.

Elektrisk sikkerhet



Advarsel! Dette produktet må jordes. Kontroller alltid at strømforsyningen er i overensstemmelse med spenningen på typeskiltet.

Støpselet må passe i stikkkontakten. Støpselet må ikke forandres på noen som helst måte. Bruk av originale støpsler og passende stikkontakter reduserer risikoen for elektrisk støt.

- ◆ Hvis strømledningen blir skadet, må den skiftes av produsenten eller et autorisert Black & Decker-servicesenter så fare unngås.

Skjøteledninger og klasse 1-produkt

- ◆ Det må brukes en kabel med tre ledere, siden produktet er jordet og en konstruksjon i klasse 1.
- ◆ Opptil 30 meter (100 fot) kan brukes uten tap av effekt.

Merking på produktet

Følgende symboler finnes på produktet:



Advarsel! Brukeren må lese håndboken for å redusere risikoen for personskade.



Advarsel! Fare for skålding.

Funksjoner

Dette produktet har noen av eller alle funksjonene nedenfor:

1. På/av-bryter
2. Autoselect™-skive
3. Vanntank
4. Håndtak
5. Damphode
6. Rengjøringspute
7. Hvilematte
8. Tepegglider (bare FSM1600 & FSM1600D)
9. Mugge (bare FSM1600 & FSM1600D).

Montering

Advarsel! Før du utfører noen av fremgangsmåtene nedenfor, må du sikre at produktet er slått av, at støpselet er trukket ut, og at produktet er avkjølt og ikke inneholder vann.

Feste håndtaket (figur A og B)

- ◆ Skyv håndgripen (10) inn i den øvre enden av håndtaket (4) til det klikker på plass.
- ◆ Skyv den nedre delen av håndtaket (4) inn i den øvre delen av dampmoppenheten (11) til det klikker på plass.
- ◆ Du kan fjerne håndtaket fra dampmoppenheten for enkel oppbevaring ved å trykke på utløserknappen (12) for håndtaksrøret og trekke håndtaket (4) ut av dampmoppenheten (11).

Feste damphodet (figur C)

- ◆ Skyv den nedre delen av dampmoppenheten (11) inn på damphodet (5) til den klikker på plass.
- ◆ Du kan fjerne damphodet fra dampmoppenheten ved å trykke på utløserknappen (13) for damphodet og trekke dampmoppenheten (11) av damphodet (5).

Feste en rengjøringspute (figur D)

Ekstra rengjøringsputer får du hos din Black & Decker-forhandler (artikkelnummer FSM20-XJ).

- ◆ Plasser en rengjøringspute (6) på gulvet med festesiden opp.
- ◆ Trykk dampmoppen forsiktig ned på rengjøringsputen(6).

Forsiktig! Plasser alltid dampmoppen på hvilematten (7) med håndtaket (4) i stående stilling når den er i ro, og pass på at dampmoppen er slått av når den ikke er i bruk.

Fjerne en rengjøringspute (figur E)

Forsiktig! Bruk alltid egnede sko når du bytter rengjøringspute på dampmoppen. Ikke bruk tøfler eller fottøy med åpne tær.

- ◆ Sett håndtaket (4) i stående stilling igjen, og slå dampmoppen av.
- ◆ Plasser dampmoppen på hvilematten, og vent til den er avkjølt (ca. fem minutter)
- ◆ Plasser skotuppen på filken (14) for fjerning av rengjøringsputen, og trykk bestemt nedover.
- ◆ Løft dampmoppen opp og bort fra rengjøringsputen.

Forsiktig! Plasser alltid dampmoppen på hvilematten (7) med håndtaket (4) i stående stilling når den er i ro, og sørg for at dampmoppen er slått av når den ikke er i bruk.

Feste teppeglideren (figur F) (bare FSM1600 & FSM1600D)

- ◆ Plasser teppeglideren på gulvet.
- ◆ Trykk dampmoppen forsiktig ned på teppeglideren (8) til den klikker på plass.

Forsiktig! Plasser alltid dampmoppen på hvilematten (7) med håndtaket (4) i stående stilling når den er i ro, og sørg for at dampmoppen er slått av når den ikke er i bruk.

Fjerne teppeglideren (figur G) (bare FSM1600 & FSM1600D)

Forsiktig! Bruk alltid egnede sko når du tar teppeglideren av dampmoppen. Ikke bruk tøfler eller fottøy med åpne tær.

- ◆ Sett håndtaket (4) i stående stilling igjen, og slå dampmoppen av.
- ◆ Plasser dampmoppen på hvilematten, og vent til den er avkjølt (ca. fem minutter)
- ◆ Plasser skotuppen på klaffen (15) for fjerning av teppeglideren, og trykk bestemt nedover.
- ◆ Løft dampmoppen opp og bort fra teppeglideren (8).

Forsiktig! Plasser alltid dampmoppen på hvilematten (7) med håndtaket (4) i stående stilling når den er i ro, og sørg for at dampmoppen er slått av når den ikke er i bruk.

Fylle vanntanken (figur H, I og J)

Denne dampmoppen har ett antikalksystem som bidrar til å forlenge levetiden til systemet.

Merknad: Fyll vanntanken med rent vann fra kranen.

Merknad: I områder med svært hardt vann anbefales bruk av avionisert vann.

- ◆ Sørg for at produktet er slått av, og at strømledningen er koblet fra nettet.
- ◆ Plasser dampmoppen på hvilematten (7) med håndtaket (4) i stående stilling.
- ◆ Ta av påfyllingslokket (16) ved å dreie det mot klokken.
- ◆ Fyll tanken(3) med rent vann fra kranen.

Advarsel! Tanken tar 0,5 liter. Ikke gå over merket for maksimal fylling når du fyller tanken.

- ◆ Sett på påfyllingslokket (16) ved å dreie det bestemt med klokken.

Merknad: Når den ikke er i bruk, kan muggen festes til håndtaket og oppbevares praktisk (figur J) (bare FSM1600 & FSM1600D)

Merknad: Pass på at filterlokket er godt festet. Hvis filterlokket er satt på feil, starter ikke dampmoppen.

Bruk

Slå på og av

- ◆ Når du skal slå produktet på, trykker du på på/av-knappen (1). Det tar ca. 15 sekunder til dampmoppen er oppvarmet.

Merknad: Når dampmoppen slås på, lyser vannreservoaret først rødt. Når dampmoppen er klar til bruk, lyser vannreservoaret blått.


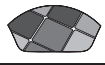

- ◆ Når du skal slå produktet av, trykker du på på/av-bryteren (1).

Forsiktig! La aldri dampmoppen være på ett sted noen tid. Plasser alltid dampmoppen på hvilematten (7) med håndtaket (4) i stående stilling når den er i ro, og sørg for at dampmoppen er slått av når den ikke er i bruk.

Forsiktig! Tøm alltid dampmoppen etter bruk.

Autoselect™-teknologi

Denne dampmoppen har en Autoselect™-skive (2) som viser ulike rengjøringsanvendelser. De brukes til å velge riktig innstilling for den bestemte rengjøringsoppgaven. Med Autoselect™-skiven (2) kan du velge mellom følgende anvendelser:

	Tre/laminat
	Stein/marmor
	Fliser/vinyl

Dampmoppen vil velge riktig dampvolum for den bestemte rengjøringsoppgaven.

Råd for optimal bruk

Generelt

Forsiktig! Bruk aldri dampmoppen uten å sette på rengjøringsputen først.

- ◆ Du må alltid støvsuge eller feie gulvet før du bruker dampmoppen.
- ◆ Den enkleste måten å bruke produktet på er å la håndtaket helle 45° og gjøre rent langsomt – et lite område om gangen.

- ◆ Ikke bruk kjemiske rengjøringsmidler sammen med dampmoppen. Når du skal fjerne vanskelige flekker fra vinyl- eller linoleumsgulv, kan du forbehandle det med et mildt rengjøringsmiddel og litt vann før du bruker dampmoppen.

Damprengjøring

- ◆ Plasser en rengjøringspute (6) på gulvet med festesiden opp.
- ◆ Løft dampmoppen fra hvilematten (7) og trykk den forsiktig ned på rengjøringsputen (6).
- ◆ Plasser dampmoppen på hvilematten.
- ◆ Sett støpselet til dampmoppen i stikkkontakten.
- ◆ Drei Autoselect™-skiven (2) til ønsket innstilling.
- ◆ Trykk på på/av-knappen (1). Det tar ca. 15 sekunder til dampmoppen er oppvarmet.
- ◆ Når du trekker håndtaket (4) bakover, aktiveres damp-pumpen. Etter noen få sekunder begynner det å komme damp ut av damphodet.
- ◆ Det tar noen få sekunder før dampen kommer inn i rengjøringsputen. Dampmoppen glier nå lett over overflaten som skal renses/rengjøres.
- ◆ Skyv og trekk dampmoppen langsomt over gulvet for å rengjøre alle deler grundig med dampen.

Merknad: Under bruk kan du slå av dampmoppen ved å sette håndtaket i stående stilling igjen. Denne praktiske funksjonen gjør det mulig for deg å plassere dampmoppen på hvilematten en kort stund, slik at du kan fjerne møbler og deretter fortsette å gjøre rent uten å slå produktet av.

- ◆ Når du er ferdig med å bruke dampmoppen, setter du håndtaket (4) i stående stilling igjen, skruv dampmoppen av, plasserer den på hvilematten (7) og venter til dampmoppen er avkjølt (ca. fem minutter)

Forsiktig! Det er viktig å holde øye med vannivået i vanntanken. Når du skal fylle på vanntanken og fortsette å rens/rengjøre, setter du håndtaket (4) i stående stilling og slår dampmoppen av. Trekk støpselet ut av stikkkontakten, og fyll vanntanken (3) med muggen (9) som følger med.

Forsiktig! La aldri dampmoppen være på ett sted noen tid. Plasser alltid dampmoppen på hvilematten (7) med håndtaket (4) i stående stilling når den er i ro, og sørg for at dampmoppen er slått av når den ikke er i bruk.

Oppfrisking av tepper

- ◆ Plasser en rengjøringspute (6) på gulvet med festesiden opp.
- ◆ Løft dampmoppen fra hvilematten (7) og trykk den forsiktig ned på rengjøringsputen (6).
- ◆ Plasser teppeglideren (8) på gulvet.
- ◆ Trykk dampmoppen forsiktig ned på teppeglideren (8) til den klikker på plass.
- ◆ Plasser dampmoppen på hvilematten. (7)
- ◆ Sett støpselet til dampmoppen i stikkkontakten.

- ◆ Drei Autoselect™-skiven (2) til innstillingen for tre/laminat.
- ◆ Trykk på på/av-knappen (1). Det tar ca. 15 sekunder til dampmoppen er oppvarmet.
- ◆ Når du trekker håndtaket (4) bakover, aktiveres damp-pumpen. Etter noen få sekunder begynner det å komme damp ut av damphodet.
- ◆ Skyv og trekk dampmoppen langsomt over teppet for å oppfriske alle deler grundig med dampen.

Merknad: Under bruk kan du slå av dampmoppen ved å sette håndtaket (4) i stående stilling igjen. Denne praktiske funksjonen gjør det mulig for deg å plassere dampmoppen på hvilematten (7), slik at du kan fjerne møbler uten å slå produktet av.

- ◆ Når du er ferdig med å bruke dampmoppen, setter du håndtaket (4) i stående stilling igjen, skruv dampmoppen av, plasserer den på hvilematten (7) og venter til dampmoppen er avkjølt (ca. fem minutter)

Forsiktig! Det er viktig å holde øye med vannivået i vanntanken. Når du skal fylle på vanntanken og fortsette å rens/rengjøre, setter du håndtaket (4) i stående stilling og slår dampmoppen av. Trekk støpselet ut av stikkkontakten, og fyll vanntanken med muggen som følger med.

Forsiktig! La aldri dampmoppen være på ett sted noen tid. Plasser alltid dampmoppen på hvilematten (7) med håndtaket (4) i stående stilling når den er i ro, og sørg for at dampmoppen er slått av når den ikke er i bruk.

Etter bruk (figur K og L)

- ◆ Sett håndtaket (4) i stående stilling igjen, og slå dampmoppen av.
 - ◆ Plasser dampmoppen på hvilematten (7), og vent til dampmoppen er avkjølt (ca. fem minutter)
 - ◆ Ta støpselet til dampmoppen ut av stikkkontakten.
 - ◆ Tøm vanntanken (3).
 - ◆ Ta av rengjøringsputen(6), og vask den så den er klar til neste gangs bruk. (Pass på å følge vaskeanvisningene som er trykt på rengjøringsputen.)
 - ◆ Vikle strømledningen rundt kabelfestekrokene (18 og 19).
- Merknad:** Den øverste kabelfestekroken (19) kan dreies, slik at du lett kan løse kabelen når du skal bruke produktet igjen.
- ◆ Sett strømledningen inn i kabelfesteklemmen (20) i nærheten av støpselet.
 - ◆ Plasser dampmoppen på hvilematten (7) for oppbevaring.

Merknad: Når håndtaket (4) er i stående stilling og kabelen ryddig viklet rundt kabelfestekrokene (18 og 19) og festet i kabelfesteklemmen (20), står dampmoppen av seg selv mens den oppbevares. Alternativt kan du benytte en hengebrakett (21) som er bygd inn i håndgrepet (10), og som gjør det mulig å henge dampmoppen fra en passende krok på veggen. Pass alltid på at veggkroken trygt kan bære vekten av dampmoppen.

Vedlikehold og rengjøring

Det nettdrevne Black & Decker-produktet er konstruert for å være i drift over lengre tid med et minimum av vedlikehold. Det er avhengig av riktig stell og regelmessig rengjøring for å fungere som det skal til enhver tid.

Advarsel! Før du utfører noe vedlikehold på eller rengjøring av nettdrevne produkter, må du slå av produktet og koble fra strømmen.

- ◆ Tørk av produktet med en myk, fuktig klut.
- ◆ Til vanskelige flekker kan du bruke en mild oppløsning av såpe og vann til å fukte kluten.

Behandling av rengjøringsputer

Følg vaskeanvisningene. Ikke bruk tøymykner. La den tørke helt før den brukes igjen.

Forsiktig! Følg vaskeanvisningene som er trykt på merket på rengjøringsputen.

Bytte nettstøpsel (gjelder bare Storbritannia og Irland)

Hvis det må settes på nytt nettstøpsel:

- ◆ Kast det gamle støpselet på en trygg måte.
- ◆ Koble den brune ledningen til den strømførende terminalen i det nye støpselet.
- ◆ Koble den blå ledningen til den nøytrale terminalen.
- ◆ Koble den grønne/gule ledningen til jordklemmen.

Advarsel! Følg monteringsinstruksjonene som følger med støpsler av god kvalitet. Anbefalt sikring: 13A.

Miljø



Separat avfallshåndtering. Dette produktet må ikke kastes sammen med vanlig husholdningsavfall.

Hvis du synes Black & Decker-produktet bør skiftes ut, eller du ikke har bruk for det lenger, må du ikke kaste det sammen med husholdningsavfall. Sørg for separat avfallshåndtering for dette produktet.



Hvis brukte produkter og emballasje leveres atskilt, kan materialer resirkuleres og brukes på nytt. Gjenbruk av resirkulerte materialer bidrar til redusert miljøforurensning og reduserer behovet for råmaterialer.

Det kan være lokale bestemmelser for separat avfallshåndtering for elektriske produkter fra husstander på kommunale avfallsplasser eller hos forhandleren, når du kjøper et nytt produkt.

Black & Decker har en ordning for innsamling og resirkulering av Black & Decker-produkter som ikke skal brukes lenger. Du kan benytte denne tjenesten ved å levere produktet til et hvilket som helst autorisert serviceverksted.

Du kan finne ut hvor nærmeste autoriserte serviceverksted er, ved å kontakte din lokale Black & Decker-avdeling på adressen som er oppgitt i denne håndboken. En oversikt over autoriserte Black & Decker-serviceverksteder og alle opplysninger om ettersalgsservice og kontakter er også tilgjengelig på Internett: www.2helpU.com

Tekniske data

		FSM1600 FSM1600D (Type 1)	FSM1500 (Type 1)
Spenning	V_{ac}	230	230
Effekt	W	1600	1500
Tankkapasitet	l	0,5	0,5
Vekt	kg	2,52	2,52

Garanti

Black & Decker er trygg på kvaliteten på sine produkter og tilbyr en enestående garanti. Denne garantierklæringen kommer i tillegg til dine lovbestemte rettigheter og er ikke i konflikt med disse. Garantien er gyldig i EU- og EFTA-medlemsstatene.

Hvis et Black & Decker-produkt går i stykker på grunn av material- og/eller fabrikkasjonsfeil eller har mangler i forhold til spesifikasjonene innen 24 måneder fra kjøpet, påtar Black & Decker seg å skifte ut defekte deler, reparere produkter som har vært utsatt for alminnelig slitasje, eller bytte ut slike produkter med minst mulig vanskelighet for kunden, med mindre:

- ◆ Produktet har vært brukt i yrkes-/næringsvirksomhet eller til utleie.
- ◆ Produktet har vært utsatt for feilaktig bruk eller dårlig vedlikehold.
- ◆ Produktet har blitt skadet av fremmede gjenstander eller stoffer eller ved et uhell.
- ◆ Andre enn autoriserte serviceverksteder eller Black & Deckers serviceteknikere har forsøkt å reparere produktet.

For å ta garantien i bruk må du vise kjøpskvittering til forhandleren eller til et autorisert serviceverksted. Du kan finne ut hvor nærmeste autoriserte serviceverksted er, ved å kontakte din lokale Black & Decker-avdeling på adressen som er oppgitt i denne håndboken. En oversikt over autoriserte Black & Decker-serviceverksteder og alle opplysninger om ettersalgsservice og kontakter er også tilgjengelig på Internett: www.2helpU.com

Besøk vårt webområde www.blackanddecker.no for å registrere ditt nye Black & Decker-produkt og for å holde deg oppdatert om nye produkter og spesialtilbud. Du finner mer informasjon om Black & Decker og produktutvalget vårt på www.blackanddecker.no.

Tilsigtet brug

Din Black & Decker dampmoppe er beregnet til rensning og rengøring af forseglede hårdtræ, forseglede laminat, linoleum, vinyl, keramikfliser, sten- og marmorgulve og til opfriskning af tæpper. Apparatet er kun beregnet til privat brug indendørs.

Sikkerhedsanvisninger



Advarsel! Læs alle sikkerhedsadvarsler og anvisninger. Hvis nedenstående advarsler og anvisninger ikke følges, er der risiko for elektrisk stød, brand og/eller alvorlige personskader.



Advarsel! Ved brug af apparater, der strømforsyns fra forsyningsnettet, er det vigtigt, at grundlæggende sikkerhedsforholdsregler, herunder bl.a. nedenstående, altid følges for at mindske risikoen for brand, elektrisk stød, personskade og materiel skade.

- ◆ Læs hele vejledningen omhyggeligt, før du bruger apparatet.
- ◆ Den tilsigtede brug er beskrevet i denne vejledning. Brug af ekstraudstyr eller tilbehør eller udførelse af andet arbejde med dette apparat end det, der anbefales i denne vejledning, kan udgøre en risiko for personskade.
- ◆ Opbevar denne vejledning til senere brug.

Brug af apparatet

- ◆ Ret aldrig dampen mod mennesker, dyr, elektriske apparater eller strømudgange.
- ◆ Udsæt ikke apparatet for regn.
- ◆ Apparatet må ikke nedsænkes i vand.
- ◆ Efterlad ikke apparatet uden opsyn.
- ◆ Træk altid stikket ud af stikkontakten, når apparatet ikke er i brug.
- ◆ Træk aldrig i strømledningen for at afbryde apparatet fra stikkontakten. Beskyt apparatets ledning imod varmpåvirkninger, olie og skarpe kanter.
- ◆ Brug ikke damprenseren med våde hænder.
- ◆ Træk eller løft ikke apparatet i ledningen, brug ikke ledningen som håndtag, lad ikke ledningen komme i klemme i en dør, træk ikke ledningen om skarpe kanter og lad ikke ledningen komme i berøring med varme flader.
- ◆ Brug ikke apparatet i lukkede rum fyldt med dampe fra oliebaseeret malingsfortynder, mølmidler, brændbart støv eller eksplosive eller giftige dampe.
- ◆ Spørg om din gulvtype hos din forhandler.
- ◆ Apparatet må ikke bruges til læder, voksbehandlede møbler eller gulve, syntetiske stoffer, fløjel eller andre fine, dampfølsomme materialer.



Advarsel! Brug ikke apparatet på ubehandlede trægulve eller ubehandlede laminatgulve. På voksbehandlede overflader og nogle gulve uden voks kan varmen og dampen bevirke, at glansen forsvinder. Det anbefales altid først at prøve apparatet på et lille skjult stykke af den overflade, der skal rengøres. Vi anbefaler også, at man kontrollerer gulvproducentens brugs- og vedligeholdelsesvejledninger.

- ◆ Fyld aldrig kalkstensfjerner, aromatiske eller alkohol-baserede produkter eller rensesubstanter i damprenseren, da det kan ødelægge den eller gøre den farlig at bruge.
- ◆ Hvis boligens fejlstrømsafbryder kobler ud under brug af dampfunktionen, skal man straks ophøre med at bruge apparatet og kontakte kundeservicecentret. (Vær opmærksom på risikoen for elektrisk stød.)
- ◆ Apparatet udsender meget varm damp for at rense anvendelsesområdet. Det betyder, at dampovedet, moppekludene og tæppetilbehøret bliver meget varme ved brug.
- ◆ **Forsigtig!** Benyt altid egnet fodtøj, når du bruger dampmoppen, og når du skifter tilbehør på dampmoppen. Brug ikke hjemmesko eller åbne sko.
- ◆ Låget kan blive varmt ved brug.
- ◆ Der kan strømme damp ud fra apparatet ved brug.
- ◆ Vær meget forsigtig ved brug af apparatet. RØR IKKE ved dele, der kan blive varme ved brug.
- ◆ Sluk apparatet og stil håndtaget tilbage i lodret stilling, før du tager låget af vandbeholderen.
- ◆ Kun til brug på gulve; apparatet må ikke vendes på hovedet. Dette produkt er udelukkende beregnet til brug i private hjem.

Efter brug

- ◆ Tag apparatet ud af stikkontakten og lad det køle af, før det rengøres.
- ◆ Opbevar apparatet på et tørt sted, når det ikke er i brug.
- ◆ Børn må ikke have adgang til opbevarede apparater.

Eftersyn og reparationer

- ◆ Tag apparatet ud af stikkontakten og lad det køle af, før der udføres vedligeholdelse eller reparation.
- ◆ Før brug skal apparatet kontrolleres for beskadigede eller defekte dele. Se efter knækkede dele, skader på kontakter og eventuelle andre tilstande, der kan påvirke apparatets funktion.
- ◆ Kontroller regelmæssigt strømledningen for skader.
- ◆ Brug ikke apparatet med beskadigede eller defekte dele.
- ◆ Sørg for at få beskadigede eller defekte dele repareret eller udskiftet på et autoriseret værksted.
- ◆ Forsøg aldrig at fjerne eller udskifte dele ud over dem, der er beskrevet i denne vejledning.

Andres sikkerhed

- ◆ Dette apparat må ikke bruges af personer (herunder børn) med nedsatte fysiske, sensoriske eller mentale evner eller manglende erfaring og viden, medmindre det sker under overvågning, eller der gives instruktion i brugen af apparatet af en person, der er ansvarlig for deres sikkerhed.
- ◆ Børn skal holdes under opsyn, så det sikres, at de ikke leger med værktøjet.

Restrisici.

Der kan opstå yderligere restrisici under brugen af værktøjet, som ikke kan medtages i vedlagte sikkerhedsadvarsler. Disse risici kan opstå pga. forkert anvendelse, langvarig brug etc. Selv ved overholdelse af relevante sikkerhedsforskrifter og anvendelse af sikkerhedsudstyr kan visse restrisici ikke undgås. Disse omfatter:

- ◆ Tilskadekomst forårsaget af berøring af bevægelige dele.
- ◆ Tilskadekomst forårsaget af berøring af varme dele.
- ◆ Tilskadekomst forårsaget af udskiftning af dele eller tilbehør.
- ◆ Tilskadekomst forårsaget af langvarig brug af apparatet. Husk at holde pause jævnlige ved brug af et apparat i længere tid.

Elektricitet og sikkerhed



Advarsel! Dette produkt skal jordforbindes. Kontroller altid, at strømforsyningen svarer til spændingen på typeskiltet.

Elektriske stik skal passe til stikkontakten. Stikket må under ingen omstændigheder ændres. Uændrede stik, der passer til stikkontakterne, nedsætter risikoen for elektrisk stød.

- ◆ Hvis netledningen beskadiges, skal den udskiftes af producenten eller et autoriseret Black & Decker-værksted, så farlige situationer undgås.

Forlængerledninger og klasse 1-produkt

- ◆ Der skal anvendes et 3-lederkabel, da dette apparat er jordforbundet og klassificeret som klasse 1.
- ◆ Der kan anvendes op til 30 m uden effekttab.

Mærkatet på apparatet

Følgende symboler er anbragt på apparatet:



Advarsel! Brugeren skal læse brugervejledningen for at reducere risikoen for tilskadekomst.



Advarsel! Risiko for skoldning.

Funktioner

Dette apparat leveres med nogle af eller alle de følgende funktioner.

1. ON/Off-kontakt (tænd/sluk)
2. Autoselect™-skive
3. Vandbeholder
4. Håndtag
5. Damphoved
6. Moppeklud
7. Underlægningsmåtte
8. Tæppeglider (kun FSM1600 & FSM1600D)
9. Målebæger (kun FSM1600 & FSM1600D)

Samling

Advarsel! Sørg for at apparatet er afbrudt, at stikket er taget ud og at apparatet er koldt og ikke indeholder vand, inden nogle af de følgende funktioner udføres.

Montering af håndtaget (Fig. A og B)

- ◆ Skub skaftet (10) ind i den øverste ende af håndtaget(4), indtil det klikker på plads.
- ◆ Skub den nederste ende af håndtaget (4) ind i den øverste ende af selve moppen(11), indtil det klikker på plads.
- ◆ Håndtaget kan tages af, så dampmoppen er lettere at opbevare. Tryk på udløserknappen til håndtaget(12) og træk håndtaget(4) ud af moppen(11).

Montering af damphovedet (Fig. C)

- ◆ Skub den nederste ende af dampmoppen(11) op på damphovedet(5), indtil den klikker på plads.
- ◆ Damphovedet kan tages af dampmoppen ved at trykke på udløserknappen til damphovedet (13) og trække dampmoppen(11) af damphovedet(5).

Påsætning af moppeklud (Fig. D)

Nye moppeklude fås hos din Black & Decker-forhandler (katalognr. FSMP20-XJ).

- ◆ Læg moppekluden(6) på gulvet med velcro-siden opad.
- ◆ Pres dampmoppen let ned på moppekluden(6).

Forsigtig! Stil altid din dampmoppe på underlægningsmåtten(7) med håndtaget(4) i lodret stilling, når den står stille, og sørg for, at dampmoppen er slukket, når den ikke er i brug.

Aftagning af moppeklud (Fig. E)

Forsigtig! Benyt altid egnet fodtøj, når du skifter moppeklud på din dampmoppe. Brug ikke hjemmesko eller åbne sko.

- ◆ Stil håndtaget(4) tilbage i lodret stilling og sluk for dampmoppen med off-knappen.
- ◆ Stil dampmoppen på underlægningsmåtten og vent, indtil den er afkølet. (ca. fem minutter)
- ◆ Tryk fast på udløserpedalen til moppekluden(14) med skosnuden.

- ◆ Løft dampmoppen op fra moppekluden.

Forsigtig! Stil altid dampmoppen på underlægningsmatten(7) med håndtaget(4)i lodret stilling, når den står stille, og sørg for, at dampmoppen er slukket, når den ikke er i brug.

Montering af tæppeglideren (Fig. F) (kun FSM1600 & FSM1600D)

- ◆ Læg tæppeglideren på gulvet.
- ◆ Pres forsigtigt dampmoppen ned på tæppeglideren(8), indtil den klikker på plads.

Forsigtig! Stil altid dampmoppen på underlægningsmatten(7) med håndtaget(4)i lodret stilling, når den står stille, og sørg for, at dampmoppen er slukket, når den ikke er i brug.

Afmontering af tæppeglideren (Fig. G) (kun FSM1600 & FSM1600D)

Forsigtig! Benyt altid egnet fodtøj, når du skifter tæppeglideren på din dampmoppe. Brug ikke hjemmesko eller åbne sko.

- ◆ Stil håndtaget(4)tilbage i lodret stilling og sluk for dampmoppen med off-knappen.
- ◆ Stil dampmoppen på underlægningsmatten og vent, indtil den er afkølet. (ca. fem minutter)
- ◆ Tryk fast på udløserpedalen til tæppeglideren(15)med skosnuden.
- ◆ Løft dampmoppen op fra tæppeglideren(8).

Forsigtig! Stil altid dampmoppen på underlægningsmatten(7) med håndtaget(4)i lodret stilling, når den står stille, og sørg for, at dampmoppen er slukket, når den ikke er i brug.

Opfyldning af vandbeholderen (Fig. H, I og J)

Denne dampmoppe er forsynet med et antikalksystem, der forlænger moppesystemets levetid.

Bemærk: Fyld vandbeholderen med rent vand fra vandhanen.

Bemærk: I områder med meget hårdt vand anbefales det at anvende deioniseret vand.

- ◆ Kontroller, at apparatet er slukket, og at strømledningen er taget ud af stikkontakten..
- ◆ Stil dampmoppen på underlægningsmatten(7)med håndtaget(4)i lodret stilling.
- ◆ Tag hættten(16)af ved at dreje den mod uret.
- ◆ Fyld beholderen(3)med vand.

Advarsel! Beholderen rummer 0,5 liter. Fyld ikke beholderen længere op end til max.-mærket.

- ◆ Sæt hættten(16)på ved at dreje den fast med uret.

Bemærk: Når målebægeret ikke er i brug, opbevares det nemt ved at clipse det på håndtaget (Fig. J) (kun FSM1600 & FSM1600D)

Bemærk: Sørg for at låget til vandbeholderen sidder helt fast. I modsat fald kan dampmoppen ikke startes.

Anvendelse

Tænd og sluk

- ◆ Tænd for apparatet ved at trykke på ON/OFF-knappen(1). Det tager ca. 15 sekunder for dampmoppen at varme op.

Bemærk: Når dampmoppen startes, lyser vandbeholderen rødt. Når dampmoppen er klar til brug, lyser vandbeholderen blåt.

- ◆ Sluk for apparatet ved at trykke på ON/OFF-knappen(1).


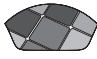

Forsigtig! Lad aldrig dampmoppen blive stående på et sted på nogen form for overflade. Stil altid dampmoppen på underlægningsmatten(7)med håndtaget(4)i lodret stilling, når den står stille, og sørg for, at dampmoppen er slukket, når den ikke er i brug.

Forsigtig! Tøm altid dampmoppen efter brug.

Autoselect™teknologi

Denne dampmoppe er udstyret med en Autoselect™-vælger(2), som viser forskellige rengøringsindstillinger. Disse bruges til at vælge den rigtige indstilling for det aktuelle rengøringsarbejde.

Vælg et af følgende anvendelsesområder med Autoselect™-vælgeren(2):

	Træ/laminat
	Sten/marmor
	Fliser/vinyl

Dampmoppen indstiller den rigtige dampmængde til det aktuelle rengøringsarbejde.

Gode råd til optimal brug

Generelt

Forsigtig! Brug aldrig dampmoppen uden moppeklud.

- ◆ Støvsug eller fej altid gulvet, før du bruger dampmoppen.
- ◆ Den letteste måde at bruge maskinen på er at holde håndtaget i en 45° vinkel og rengøre et lille område ad gangen med langsomme bevægelser.
- ◆ Brug ikke kemiske rensmidler sammen med din dampmoppe. Hårdnakkede pletter på vinyl- eller linoleumsgulve kan forbehandles med et mildt rensmiddel og vand, før du bruger dampmoppen.

Damprengøring

- ◆ Læg moppekluden(6)på gulvet med velcro-siden opad.
- ◆ Løft dampmoppen op fra underlægningsmatten(7)og pres den forsigtigt ned på moppekluden(6).

- ◆ Stil dampmoppen på underlægningsmåtten.
- ◆ Tilslut dampmoppen til ledningsnettet.
- ◆ Drej Autoselect™-vælgeren(2)til ønsket indstilling.
- ◆ Tryk på ON/OFF-knappen(1). Det tager ca. 15 sekunder for dampmoppen at varme op.
- ◆ Dampumpen aktiveres ved at trække håndtaget(4) tilbage. Efter få sekunder begynder der at komme damp ud af dampovedet.
- ◆ Det tager nogle få sekunder for dampen at komme ind i moppekluden. Dampmoppen glider nu let hen over den overflade, der skal renses/rengøres.
- ◆ Skub og træk dampmoppen langsomt hen over gulvet for at gøre hvert enkelt afsnit grundigt rent med dampen.

Bemærk: Under brugen kan du slukke for dampumpen ved at stille håndtaget tilbage i lodret stilling. Denne smarte funktion betyder, at du kortvarigt kan stille dampmoppen på underlægningsmåtten, mens du flytter møblerne, og derefter kan fortsætte rengøringen, uden at du behøver at slukke apparatet.

- ◆ Når du er færdig med at bruge dampmoppen, stiller du håndtaget(4)tilbage i lodret stilling og slukker den, stiller den på underlægningsmåtten(7)og venter, indtil dampmoppen er kølet af. (ca. fem minutter)

Forsigtig! Det er vigtigt at holde øje med vandstanden i vandbeholderen. For at fylde vand i vandbeholderen og fortsætte med rensningen/rengøringen, skal du stille håndtaget(4)tilbage i lodret stilling og slukke dampmoppen med off-knappen. Træk stikket ud af stikkontakten i væggen og fyld vandbeholderen(3)med det medfølgende målebæger(9).

Forsigtig! Lad aldrig dampmoppen blive stående på et sted på nogen form for overflade. Stil altid dampmoppen på underlægningsmåtten(7)med håndtaget(4)i lodret stilling, når den står stille, og sørg for, at dampmoppen er slukket, når den ikke er i brug.

Opriskning af tæpper

- ◆ Læg moppekluden(6)på gulvet med velcro-siden opad.
- ◆ Løft dampmoppen op fra underlægningsmåtten(7)og pres den forsigtigt ned på moppekluden(6).
- ◆ Læg tæppeglideren(8)på gulvet.
- ◆ Pres forsigtigt dampmoppen ned på tæppeglideren(8), indtil den klikker på plads.
- ◆ Stil dampmoppen på underlægningsmåtten. (7)
- ◆ Tilslut dampmoppen til ledningsnettet.
- ◆ Drej Autoselect™-vælgeren(2)til trælaminat-indstilling.
- ◆ Tryk på ON/OFF-knappen(1). Det tager ca. 15 sekunder for dampmoppen at varme op.
- ◆ Dampumpen aktiveres ved at trække håndtaget(4) tilbage. Efter få sekunder begynder der at komme damp ud af dampovedet.
- ◆ Skub og træk dampmoppen langsomt hen over tæppet for at opriske hvert enkelt afsnit.

Bemærk: Under brugen kan du slukke for dampumpen ved at stille håndtaget(4)tilbage i lodret stilling. Denne smarte funktion betyder, at du kortvarigt kan stille dampmoppen på måtten (7), mens du flytter møblerne, uden at du behøver at slukke apparatet.

- ◆ Når du er færdig med at bruge dampmoppen, stiller du håndtaget(4)tilbage i lodret stilling og slukker den, stiller den på underlægningsmåtten(7)og venter, indtil dampmoppen er kølet af. (ca. fem minutter)

Forsigtig! Det er vigtigt at holde øje med vandstanden i vandbeholderen. For at fylde vand i vandbeholderen og fortsætte med rensningen/rengøringen, skal du stille håndtaget(4)tilbage i lodret stilling og slukke dampmoppen med off-knappen. Træk stikket ud af stikkontakten i væggen og fyld vandbeholderen med det medfølgende målebæger.

Forsigtig! Lad aldrig dampmoppen blive stående på et sted på nogen form for overflade. Stil altid dampmoppen på underlægningsmåtten(7)med håndtaget(4)i lodret stilling, når den står stille, og sørg for, at dampmoppen er slukket, når den ikke er i brug.

Efter brug (Fig. K og L)

- ◆ Stil håndtaget(4)tilbage i lodret stilling og sluk for dampmoppen med off-knappen.
- ◆ Stil dampmoppen på underlægningsmåtten(7)og vent, indtil dampmoppen er afkølet. (ca. fem minutter)
- ◆ Træk stikket til dampmoppen ud af stikkontakten i væggen.
- ◆ Tøm vandbeholderen(3)
- ◆ Tag moppekluden(6)af og vask den, så den er klar til næste gang, gulvmoppen skal bruges. (Husk at følge vaskevejledningen, der er trykt på moppekluden).
- ◆ Vikl netkablet omkring kabelholderne (18 og 19).

Bemærk: Den øverste kabelholder(19)kan drejes, så kablet let kan frigøres til næste brug.

- ◆ Clips netkablet på kabelholderen (20) tæt ved stikket.
- ◆ Stil dampmoppen på underlægningsmåtten(7)til opbevaring.

Bemærk: Med håndtaget(4)i lodret stilling, kablet viklet pænt omkring kabelholderne (18 og 19) og fastgjort i kabelholderen(20) kan din dampmoppe stilles til opbevaring. Du kan også hænge din dampmoppe på en krog på væggen i den holder (21), der er monteret i skaffet (10). Sørg altid for at bruge en vægkrog, der sikkert kan bære vægten af dampmoppen.

Vedligeholdelse og rengøring

Dit Black & Decker-apparat med ledning er beregnet til at fungere i en længere periode med minimal vedligeholdelse. Forsat tilfredsstillende drift afhænger af korrekt behandling af apparatet samt regelmæssig rengøring.

Advarsel! Sluk apparatet og tag det ud af stikkontakten, før der udføres nogen form for vedligeholdelse eller rengøring.

- Tør dit apparat af med blød fugtig klud.
- Til hårdnakkede pletter kan du fugte kluden i en mild opløsning af sæbe og vand.

Pleje af moppekludene

Vaskevejledning – Der må ikke anvendes skyllemiddel – Lad moppekluden tørre helt, før den bruges igen.

Forsigtig! Følg vaskevejledningen på mærket på moppekluden).

Udskiftning af stik (kun Storbritannien og Irland)

Sådan monteres et nyt stik:

- Det gamle stik skal bortskaffes på en sikker måde.
- Slut den brune ledning til den strømførende klemme på det nye stik.
- Slut den blå ledning til den neutrale klemme.
- Slut den grønne/gule ledning til jordklemmen.

Advarsel! Følg de monteringsanvisninger, der leveres sammen med kvalitetsstik. Anbefalet sikring: 13A.

Miljøbeskyttelse



Separat bortskaffelse. Dette produkt må ikke bortskaffes sammen med almindeligt husholdningsaffald.

Når dit Black & Decker-produkt en dag er udtjent, eller du ikke længere har brug for det, må du ikke smide det ud sammen med det almindelige affald. Produktet skal bortskaffes separat.



Ved separat bortskaffelse af brugte produkter og emballage bliver der mulighed for at genanvende forskellige materialer. Genanvendelse af materialer medvirker til at forebygge miljøforurening og mindsker behovet for råstoffer.

Lokal lovgivning kan kræve separat indsamling af elektriske husholdningsapparater på kommunale affaldsdepoter eller af den detailhandlende ved køb af et nyt produkt.

Black & Decker sørger for at indsamle og genanvende Black & Decker-produkter, når disse ikke længere kan bruges. Hvis du vil benytte dig af denne service, skal du returnere produktet til et autoriseret værksted, der indsamler produkterne for os.

Kontakt det lokale Black & Decker-kontor på den adresse, der er angivet i denne vejledning, for at få oplysninger om nærmeste autoriserede værksted. En liste over alle autoriserede Black & Decker-serviceværksteder samt servicevilkår og kontaktpersoner er tilgængelig på internettet på adressen: www.2helpU.com

Tekniske data

		FSM1600 FSM1600D (Type 1)	FSM1500 (Type 1)
Spænding	V _{ac}	230	230
Indgang	W	1600	1500
Beholderkapacitet	l	0,5	0,5
Vægt	kg	2,52	2,52

Garanti

Black & Decker garanterer, at produktet er fri for skader og fejl og tilbyder en fremragende garanti. Garantien er et tillæg til forbrugers lovsikrede rettigheder og påvirker ikke disse. Garantien gælder inden for medlemsstaterne af den Europæiske Union og i det Europæiske Frihandelsområde.

Hvis et Black & Decker-produkt går i stykker på grund af materiel skade og/eller fabrikationsfejl eller på anden måde ikke fungerer i overensstemmelse med specifikationen inden for 24 måneder fra købsdatoen, påtager Black & Decker sig at reparere eller ombytte produktet med mindst mulig ulempe for kunden. Garantien gælder ikke for fejl og mangler, der er sket i forbindelse med:

- Produktet har været anvendt erhvervs-mæssigt eller til udlejning.
- Produktet har været anvendt forkert eller er ikke vedligeholdt.
- Produktet er beskadiget af fremmedlegemer, substanser eller pga. uheld.
- Garantien gælder ikke, hvis reparationer er udført af andre end et autoriseret Black & Decker-værksted.

For at udnytte garantien skal produktet og købskvitteringen indleveres til forhandleren eller til et autoriseret værksted. Kontakt det lokale Black & Decker-kontor på den adresse, der er opgivet i denne vejledning, for at få oplysninger om nærmeste autoriserede værksted. En liste over alle autoriserede Black & Decker-serviceværksteder samt servicevilkår og kontaktpersoner er tilgængelig på internettet på adressen: www.2helpU.com

Gå venligst ind på vores website www.blackanddecker.dk for at registrere dit nye Black & Decker-produkt og for at blive holdt ajour om nye produkter og specialtilbud. Der findes yderligere oplysninger om mærket Black & Decker og vores produktsortiment på adressen www.blackanddecker.dk

Käyttötarkoitus

Black & Decker -höyrymoppi on tarkoitettu tiivistettyjen puu- ja laminaatti-, linoleumi-, vinyli-, keramiikkalaatta-, kivi- ja marmorilattioiden puhdistamiseen ja desinfiointiin sekä mattojen siistimiseen. Laite on tarkoitettu ainoastaan sisätiloissa tapahtuvaan kotitalouskäyttöön.

Turvallisuusohjeet



Varoitus! Lue kaikki turvavaroitukset ja ohjeet. Alla olevien varoitusten ja ohjeiden noudattamisen laiminlyönti saattaa johtaa sähköiskun, tulipalon ja/tai vakavaan loukkaantumiseen.



Varoitus! Sähkölaitteita käytettäessä on aina noudatettava asianmukaisia turvaohjeita, jotta tulipalojen, sähköiskujen, henkilövahinkojen ja materiaalivaurioiden riski olisi mahdollisimman pieni.

- Lue nämä ohjeet huolellisesti ennen laitteen käyttöä.
- Käyttötarkoitus kuvataan tässä käyttöohjeessa. Muiden kuin tässä käyttöohjeessa suositeltujen lisävarusteiden tai -osien käyttö sekä laitteen käyttö muuhun kuin käyttöohjeessa suositeltuun tarkoitukseen voi aiheuttaa henkilövahingon vaaran.
- Säilytä tämä käyttöohje tulevaa tarvetta varten.

Laitteen käyttö

- Älä suuntaa höyryä ihmisiin, eläimiin, sähkölaitteisiin tai pistorasioihin.
- Älä jätä laitetta sateeseen.
- Älä upota laitetta veteen.
- Älä jätä laitetta ilman valvontaa.
- Älä jätä laitetta kytkettynä pistorasiaan, kun se ei ole käytössä.
- Älä koskaan irrota laitetta pistorasiasta vetämällä virtajohtoa. Pidä laitteen virtajohto etäällä lämmönlähteistä, öljystä ja terävistä reunoista.
- Älä käsittele höyrypuhdistuslaitetta märin käsin.
- Älä vedä tai kannala laitetta johdosta, käytä johtoa kahvana, sulje johtoa oven väliin, vedä johtoa terävien reunojen päältä tai anna johdon koskettaa kuumia pintoja.
- Älä käytä laitetta suljetuissa tiloissa, joissa on öljypohjaisista maaliohenteista peräisin olevia höyryjä, koin torjunta-aineita, syttyvää pölyä tai muita räjähtäviä tai myrkyllisiä höyryjä.
- Tarkista lattian tyyppi sen valmistajalta.
- Älä puhdistaa laitteella nahkaa, vahattuja huonekaluja tai lattioita, synteettisiä kuituja, samettia tai muita herkkiä, höyrylle alttiita materiaaleja.



Varoitus! Älä puhdistaa laitteella tiivistämättömiä puu- tai laminaattilattioita. Joillakin vahalla käsitellyillä pinnoilla ja joidenkin vahaamatomien lattioiden tapauksessa lämpö ja höyry voivat poistaa kiillon. Suosittelemme laitteen kokeilemista puhdistettavan pinnan erillisellä alueella ennen jatkamista. Suosittelemme myös, että perehdyt lattian valmistajan käyttö- ja hoito-ohjeisiin.

- Älä koskaan lisää kalkinpoistoinetta sisältäviä, aromaattisia, alkoholipitoisia tai puhdistusainetta sisältäviä tuotteita höyrypuhdistamiseen, sillä ne voivat vahingoittaa laitetta tai vaarantaa sen käytön.
- Jos virrankatkaisin aktivoituu höyrytoiminnon käytön aikana, lopeta välittömästi laitteen käyttö ja ota yhteyttä asiakaspalvelukeskukseen. (Varo sähköiskun vaaraa.)
- Laite tuottaa erittäin kuumaa höyryä käyttöalueen puhdistamista varten. Tämä tarkoittaa, että höyrytyspää, puhdistuslevyt ja mattoisäläite kuumentuvat käytön aikana.
- **Huomio!** Käytä aina sopivia kenkiä höyrymopin käytön ja sen lisälaitteiden vaihdon aikana. Älä käytä sandaaleja tai kärjestään avoimia jalkineita.
- Kansi voi kuumentua käytön aikana.
- Laitteesta voi nousta höyryä käytön aikana.
- Laitetta käytettäessä on noudatettava varovaisuutta. ÄLÄ kosketa osia, jotka voivat kuumentua käytön aikana.
- Sammuta laite ja palauta kahva pystyasentoon, ennen kuin irrotat vesisäiliön tulpan.
- Vain lattiakäyttöön. Älä käytä laitetta ylösalaisin. Laite on tarkoitettu ainoastaan sisätiloissa tapahtuvaan kotikäyttöön.

Käytön jälkeen

- Irrota laite verkkovirrasta ja anna sen jäähtyä ennen puhdistamista.
- Kun laitetta ei käytetä, se on säilytettävä kuivassa paikassa.
- Pidä laite lasten ulottumattomissa.

Tarkastus ja korjaus

- Irrota laite verkkovirrasta ja anna sen jäähtyä ennen ylläpito- tai huoltotoimenpiteiden suorittamista.
- Tarkista ennen laitteen käyttöä, ettei laitteessa ole vahingoittuneita tai viallisia osia. Tarkista osien ja kytkimien kunto sekä muut seikat, jotka voivat vaikuttaa laitteen toimintaan.
- Tarkista säännöllisesti, ettei virtajohto ole vahingoittunut.
- Älä käytä laitetta, jos jokin osa on vahingoittunut tai viallinen.
- Korjauta tai vaihdata vaurioituneet tai vialliset osat valtuutetussa huoltoliikkeessä.

- ◆ Älä koskaan yritä korjata tai vaihtaa muita kuin tässä käyttöohjeessa erikseen määriteltyjä osia.

Muiden turvallisuus

- ◆ Tätä laitetta ei ole tarkoitettu sellaisten henkilöiden käyttöön, joilla on fyysisiä tai älyllisiä rajoitteita tai aistirajoitteita, eikä laitteen toimintaan perehtymättömien henkilöiden käyttöön (lapset mukaan luettuina), paitsi valvonnan alaisina tai jos he ovat saaneet laitteen käyttöön liittyvää opastusta heidän turvallisuudestaan vastaavalta henkilöltä.
- ◆ Lapsia on valvottava ja heitä on estettävä leikkimästä laitteella.

Muut riskit.

Muut riskit ovat mahdollisia, jos käytät työkalua muulla kuin turvavaroituksissa mainitulla tavalla. Nämä riskit voivat liittyä muun muassa virheelliseen tai pitkäaikaiseen käyttöön. Tiettyjä jännönsriskejä ei voi välttää, vaikka noudatat kaikkia turvamääräyksiä ja käytät turvalaitteita. Näihin kuuluvat muun muassa

- ◆ liikkuvien osien koskettamisen aiheuttamat vahingot
- ◆ kuumien osien koskettamisen aiheuttamat vahingot
- ◆ osia tai lisälaitteita vaihdettaessa aiheutuneet vahingot
- ◆ laitteen pitkäaikaisen käytön aiheuttamat vahingot. Kun käytät laitetta pitkään, varmista, että pidät säännöllisesti taukoja.

Sähköturvallisuus



Varoitus! Laitteen saa kytkeä ainoastaan maadoitettuun pistorasiaan. Tarkista aina, että virtalähde vastaa arvokilvessä ilmoitettua jännitettä.

Virtajohdon pistokkeen tulee sopia pistorasiaan. Pistoketta ei saa muuttaa millään tavalla. Alkuperäiset pistokkeet ja niille sopivat pistorasiat vähentävät sähköiskun vaaraa.

- ◆ Jos virtajohto vahingoittuu, sen vaihtaminen on turvallisuussyistä jätettävä valmistajan tai valtuutetun Black & Decker -huollon tehtäväksi.

Luokan 1 tuote ja jatkojohdot

- ◆ Luokan 1 laite edellyttää maadoitetun, 3-johtimisen virtajohdon käyttämistä.
- ◆ Laitteen kanssa voidaan käyttää enintään 30 m pitkää jatkojohtoa ilman tehon heikkenemistä.

Laitteessa olevat merkinnät

Työkalussa on seuraavat kuvamerkinnot:



Varoitus! Käyttäjän on luettava käyttöohje vahinkojen välttämiseksi.



Varoitus! Palamisvaara.

Yleiskuvaus

Tässä laitteessa on kaikki tai joitakin seuraavista ominaisuuksista.

1. Virtakytkin
2. Autoselct™-kiekko
3. Vesisäiliö
4. Kahva
5. Höyrytyspää
6. Puhdistuslevy
7. Pysäköintimatto
8. Mattokappale (vain FSM1600 & FSM1600D)
9. Kaadin (vain FSM1600 & FSM1600D)

Kokoaminen

Varoitus! Ennen kuin yrität suorittaa mitään seuraavista toimenpiteistä, varmista, että laitteen virta on katkaistu, sähköpistoke on irrotettu sähköverkosta, laite on kylmä eikä se sisällä vettä.

Kahvan kiinnittäminen (kuvat A ja B)

- ◆ Työnnä kädensija (10) kahvan yläosaan (4) niin, että se napsahtaa paikalleen.
- ◆ Työnnä kahvan alaosa (4) höyrymopin rungon yläosaan (11) niin, että se napsahtaa paikalleen.
- ◆ Kahva voidaan irrottaa höyrymopin rungosta painamalla kahvapatken vapautuspainiketta (12) ja vetämällä kahva (4) ulos höyrymopin rungosta (11). Tämä helpottaa laitteen säilyttämistä.

Höyrytyspään kiinnittäminen (kuva C)

- ◆ Työnnä höyrymopin rungon alaosa (11) höyrytyspään päälle (5) niin, että se napsahtaa paikalleen.
- ◆ Höyrytyspää voidaan irrottaa höyrymopin rungosta painamalla höyrytyspään vapautuspainiketta (13) ja vetämällä höyrymopin runko (11) irti höyrytyspäästä (5).

Puhdistuslevyn kiinnittäminen (kuva D)

Vaihtopuhdistuslevyjä saat Black & Decker -jälleenmyyjältä (tuotenro FSMP20-XJ).

- ◆ Aseta puhdistuslevy (6) lattialle niin, että tarranauhapuoli on ylöspäin.

- ◆ Paina höyrymoppi kevyesti puhdistuslevyn päälle (6).

Huomio! Aseta höyrymoppi aina pysäköintimaton (7) päälle niin, että kahva (4) on pystyasennossa, ja varmista, että höyrymopin virta on katkaistu, kun laite ei ole käytössä.

Puhdistuslevyn irrottaminen (kuva E)

Huomio! Käytä aina sopivia kenkiä höyrymopin puhdistuslevyn vaihdon aikana. Älä käytä sandaaleja tai kärjestään avoimia jalkineita.

- ◆ Palauta kahva (4) pystyasentoon ja katkaise höyrymopin virta.
- ◆ Aseta höyrymoppi pysäköintimaton päälle ja odota, kunnes laite on jäähtynyt. (noin viisi minuuttia)
- ◆ Aseta kenkäsi kärki puhdistuslevyn irrotuskielekkeen päälle (14) ja paina sitä voimakkaasti.
- ◆ Nosta höyrymoppi irti puhdistuslevystä..

Huomio! Aseta höyrymoppi aina pysäköintimaton (7) päälle niin, että kahva (4) on pystyasennossa, ja varmista, että höyrymopin virta on katkaistu, kun laite ei ole käytössä.

Mattokappaleen kiinnittäminen (kuva F) (vain FSM1600 & FSM1600D)

- ◆ Aseta mattokappale lattialle.
- ◆ Paina höyrymoppi kevyesti mattokappaleen (8) päälle niin, että se napsahtaa paikalleen.

Huomio! Aseta höyrymoppi aina pysäköintimaton (7) päälle niin, että kahva (4) on pystyasennossa, ja varmista, että höyrymopin virta on katkaistu, kun laite ei ole käytössä.

Mattokappaleen irrottaminen (kuva G) (vain FSM1600 & FSM1600D)

Huomio! Käytä aina sopivia kenkiä höyrymopin mattokappaleen vaihdon aikana. Älä käytä sandaaleja tai kärjestään avoimia jalkineita.

- ◆ Palauta kahva (4) pystyasentoon ja katkaise höyrymopin virta.
- ◆ Aseta höyrymoppi pysäköintimaton päälle ja odota, kunnes laite on jäähtynyt. (noin viisi minuuttia)
- ◆ Aseta kenkäsi kärki mattokappaleen irrotuskielekkeen päälle (15) ja paina sitä voimakkaasti.
- ◆ Nosta höyrymoppi irti mattokappaleesta (8)..

Huomio! Aseta höyrymoppi aina pysäköintimaton (7) päälle niin, että kahva (4) on pystyasennossa, ja varmista, että höyrymopin virta on katkaistu, kun laite ei ole käytössä.

Vesisäiliön täyttäminen (kuvat H, I ja J)

Tässä höyrymopissa käytetään kalkinpoistojärjestelmää, joka pidentää laitteen käyttöikää.

Huomautus: Täytä vesisäiliö puhtaalla hanavedellä.

Huomautus: Jos vesi on kovaa, suosittelemme deionisoidun veden käyttöä.

- ◆ Varmista, että laitteen virta on katkaistu ja virtajohto on irrotettu pistorasiasta.

- ◆ Aseta höyrymoppi pysäköintimaton päälle (7) niin, että sen kahva (4) on pystyasennossa.

- ◆ Irrota täyttökorkki (16) kiertämällä sitä vastapäivään.

- ◆ Täytä säiliö (3) vedellä.

Varoitus! Säiliön kapasiteetti on 0,5 litraa. Älä täytä vesisäiliötä enimmäisrajan yli.

- ◆ Aseta täyttökorkki (16) paikalleen kiertämällä sitä voimakkaasti myötäpäivään.

Huomautus: Kun kaadin ei ole käytössä, se voidaan säilytyksen helpottamiseksi kiinnittää kahvaan (kuva J) (vain FSM1600 & FSM1600D).

Huomautus: Varmista, että säiliön korkki on kiinnitetty kunnolla. Jos säiliön korkki on asennettu väärin, höyrymoppi ei käynnisty.

Käyttö

Käynnistäminen ja pysäyttäminen

- ◆ Käynnistä laite painamalla virtakytkintä (1). Höyrymoppi lämpenee noin 15 sekunnissa.

Huomautus: Kun höyrymoppiin kytketään virta, vesisäiliö hehkuu punaisena. Kun höyrymoppi on valmiina käyttöön, vesisäiliö hehkuu sinisenä.

- ◆ Voit sammuttaa laitteen painamalla virtakytkintä (1).


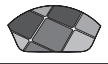

Huomio! Älä jätä höyrymoppia pidemmäksi ajaksi yhteen paikkaan. Aseta höyrymoppi aina pysäköintimaton (7) päälle niin, että kahva (4) on pystyasennossa, ja varmista, että höyrymopin virta on katkaistu, kun laite ei ole käytössä.

Huomio! Tyhjennä höyrymoppi aina käytön jälkeen.

Autoselect™-teknologia

Tässä höyrymopissa on Autoselect™-kiekko (2), joka näyttää eri puhdistussovellukset. Näiden avulla voidaan valita puhdistustehävän kannalta oikea toimintatila.

Autoselect™-kiekon (2) avulla voidaan valita seuraavat sovellukset:

	Puu/laminaatti
	Kivi/marmori
	Laatta/vinyyli

Höyrymoppi valitsee puhdistustehävän kannalta oikean määrän höyryä.

Vinkkejä parhaimman tuloksen saamiseksi

Yleistä

Huomio! Älä koskaan käytä höyrymoppia ilman puhdistuslevyä.

- ◆ Imuroi tai lakaise lattia aina ennen höyrymopin käyttöä.
- ◆ Helpoin tapa käyttää laitetta on kallistaa kahva 45 asteen kulmaan ja puhdistaa hitaasti pieni alue kerrallaan.
- ◆ Älä käytä höyrymopin kanssa kemiallisia puhdistusaineita. Vinyyli- tai linoleumilattioilla olevat pintyneet tahrat voidaan poistaa käsittelemällä ne miedolla puhdistusaineella ja vedellä ennen höyrymopin käyttöä.

Höyrypuhdistus

- ◆ Aseta puhdistuslevy (6) lattialle niin, että tarranauhapuoli on ylöspäin.
- ◆ Nosta höyrymoppi irti pysäköintimatolta (7) ja paina se kevyesti puhdistuslevyn päälle (6)..
- ◆ Aseta höyrymoppi pysäköintimaton päälle.
- ◆ Kytke höyrymoppi verkkovirtaan.
- ◆ Kierrä Autoselect™-kiekko (2) halutun asetuksen kohdalle.
- ◆ Paina virtakytkintä(1). Höyrymoppi lämpenee noin 15 sekunnissa.
- ◆ Kahvan (4) vetäminen taakse aktivoi höyrypumpun. Muutaman sekunnin kuluttua höyrytyspäästä alkaa nousta höyryä.
- ◆ Kestävä muutaman sekunnin, ennen kuin höyry pääsee puhdistuslevyyn. Höyrymoppi liukuu nyt kevyesti puhdistettavan tai desinfioitavan pinnan yli.
- ◆ Puhdista lattia perusteellisesti liikuttamalla höyrymoppia hitaasti työntämällä ja vetämällä.

Huomautus: Voit poistaa höyrypumpun käytön aikana käytöstä kääntämällä kahvan pystyasentoon. Tämän kätevän toiminnon avulla voit asettaa höyrymopin lyhyeksi aikaa pysäköintimaton päälle, kun siirät huonekaluja, ja sitten jatkaa siivoamista ilman, että sinun tarvitsisi sammuttaa laitetta.

- ◆ Kun olet lopettanut höyrymopin käytön, palauta kahva (4) pystyasentoon, katkaise laitteen virta, aseta laite pysäköintimaton (7) päälle ja odota, kunnes höyrymoppi on jäähtynyt. (noin viisi minuuttia)

Huomio! On tärkeää valvoa vesisäiliössä olevan veden määrää. Jos haluat täyttää vesisäiliön ja jatkaa puhdistamista tai desinfiointia, palauta kahva (4) pystyasentoon ja katkaise höyrymopin virta. Irrota laite pistorasiasta ja täytä vesisäiliö (3) laitteen mukana toimitetulla kaatimella (9).

Huomio! Älä jätä höyrymoppia pidemmäksi ajaksi yhteen paikkaan. Aseta höyrymoppi aina pysäköintimaton (7) päälle niin, että kahva (4) on pystyasennossa, ja varmista, että höyrymopin virta on katkaistu, kun laite ei ole käytössä.

Mattojen siistiminen

- ◆ Aseta puhdistuslevy (6) lattialle niin, että tarranauhapuoli on ylöspäin.
- ◆ Nosta höyrymoppi irti pysäköintimatolta (7) ja paina se kevyesti puhdistuslevyn päälle (6)..
- ◆ Aseta mattokappale (8) lattialle.
- ◆ Paina höyrymoppi kevyesti mattokappaleen (8) päälle niin, että se napsahtaa paikalleen.
- ◆ Aseta höyrymoppi pysäköintimaton päälle. (7)
- ◆ Kytke höyrymoppi verkkovirtaan.
- ◆ Kierrä Autoselect™-kiekko (2) Puu/laminaatti-asetuksen kohdalle.
- ◆ Paina virtakytkintä(1). Höyrymoppi lämpenee noin 15 sekunnissa.
- ◆ Kahvan (4) vetäminen taakse aktivoi höyrypumpun. Muutaman sekunnin kuluttua höyrytyspäästä alkaa nousta höyryä.
- ◆ Siisti matto perusteellisesti liikuttamalla höyrymoppia hitaasti työntämällä ja vetämällä.

Huomautus: Voit poistaa höyrypumpun käytön aikana käytöstä kääntämällä kahvan (4) pystyasentoon. Tämän kätevän toiminnon avulla voit asettaa höyrymopin pysäköintimaton (7) päälle huonekalujen siirtämiseksi ilman, että sinun tarvitsisi sammuttaa laitetta.

- ◆ Kun olet lopettanut höyrymopin käytön, palauta kahva (4) pystyasentoon, katkaise laitteen virta, aseta laite pysäköintimaton (7) päälle ja odota, kunnes höyrymoppi on jäähtynyt. (noin viisi minuuttia)

Huomio! On tärkeää valvoa vesisäiliössä olevan veden määrää. Jos haluat täyttää vesisäiliön ja jatkaa puhdistamista tai desinfiointia, palauta kahva (4) pystyasentoon ja katkaise höyrymopin virta. Irrota laite pistorasiasta ja täytä vesisäiliö laitteen mukana toimitetulla kaatimella.

Huomio! Älä jätä höyrymoppia pidemmäksi ajaksi yhteen paikkaan. Aseta höyrymoppi aina pysäköintimaton (7) päälle niin, että kahva (4) on pystyasennossa, ja varmista, että höyrymopin virta on katkaistu, kun laite ei ole käytössä.

Käytön jälkeen (kuvat K ja L)

- ◆ Palauta kahva (4) pystyasentoon ja katkaise höyrymopin virta.
- ◆ Aseta höyrymoppi pysäköintimaton (7) päälle ja odota, kunnes laite on jäähtynyt. (noin viisi minuuttia)
- ◆ Irrota höyrymoppi pistorasiasta.
- ◆ Tyhjennä vesisäiliö (3).
- ◆ Irrota puhdistuslevy (6) ja huuhtelee se seuraavaa käyttökertaa varten. (Noudata puhdistuslevyn painettuja huuhteluohjeita.)
- ◆ Kiedo virtajohto johtokoukujen (18 ja 19) ympärille.

Huomautus: Ylempää johtokoukua (19) kiertämällä virtajohto voidaan vapauttaa helposti seuraavaa käyttökertaa varten.

- ◆ Napsauta virtajohto pistokkeen vieressä olevaan johtopidikkeeseen (20).

- ◆ Aseta höyrymoppi pysäköintimaton (7) päälle säilytystä varten.

Huomautus: Kun kahva (4) on pystyasennossa sekä virtajohto on kiedottu siististi johtokoukkuihin (18 ja 19) ja kiinnitetty johtopidikkeeseen (20), höyrymoppi pysyy pystyssä säilytystä varten. Kädensijassa (10) on myös ripustuspidike (21), jonka avulla höyrymoppi voidaan ripustaa seinällä olevaan koukkuun. Varmista aina, että seinäkoukku pystyy kantamaan höyrymopin painon turvallisesti.

Hoito ja puhdistus

Black & Deckerin johdollinen laite on suunniteltu toimimaan mahdollisimman pitkän aikaa mahdollisimman vähällä huollolla. Oikealla huollolla ja säännöllisellä puhdistuksella laite säilyy hyvässä toimintakunnossa.

Varoitus! Katkaise johdollisesta laitteesta virta ja irrota virtajohto pistorasiasta aina ennen huoltotoimenpiteiden suorittamista.

- ◆ Pyyhi laite pehmeällä, kostealla liinalla.
- ◆ Pinttynyt lika voidaan poistaa miedolla saippuavesiliuoksella kostutetulla liinalla.

Puhdistuslevyjen hoito

Huuheluohteet - Ei huuheluaaineita - Anna kuivua kokonaan ennen uudelleenkäyttöä.

Huomio! Noudata puhdistuslevyn tarraan painettuja puhdistusohjeita.

Virtapistokkeen vaihto (vain Iso-Britannia ja Irlanti)

Jos joudut vaihtamaan virtapistokkeen:

- ◆ Hävitä vanha pistoke ympäristöystävällisesti.
- ◆ Liitä ruskea johto uuden pistokkeen jännitteeseen napaan.
- ◆ Liitä sininen johto tähtipisteliitimeen.
- ◆ Liitä vihreä/keltainen johdin maadoitusliitäntään.

Varoitus! Noudata pistokkeen mukana toimitettuja kiinnitysohjeita. Suositeltava sulake: 13 A.

Ympäristönsuojelu



Erillinen keräys. Tätä tuotetta ei saa hävittää normaalin kotitalousjätteen mukana.

Kun Black & Decker -laitteesi aikanaan täytyy vaihtaa tai ei kelpaa enää käyttöön, älä hävitä laitetta kotitalousjätteen mukana. Toimita laite kierrätettäväksi.



Käytettyjen tuotteiden ja pakkausmateriaalien erilliskeruun avulla materiaalit voidaan kierrättää ja käyttää uudelleen. Kierrätysmateriaalien käyttö auttaa vähentämään ympäristön saastumista ja uusien raaka-aineiden tarvetta.

Paikallisissa säädöksissä voidaan määrätä, että kodin sähkötuotteiden keruu tapahtuu kaupunkien jätteidenkäsittelyasemilla tai laitteita myyvissä liikkeissä uuden tuotteen oston yhteydessä.

Kun laitteesi on käytetty loppuun, älä hävitä sitä tavallisten roskien mukana, vaan vie se paikkakuntasi kierrätyskeskukseen tai jätä se valtuutettuun Black & Deckerin huoltoliikkeeseen.

Saat valtuutettujen huoltoliikkeiden yhteystiedot ottamalla yhteyden Black & Decker Oy:hyn tässä käyttöoppaassa ilmoitetussa osoitteessa. Valtuutettujen Black & Decker -huoltoliikkeiden yhteystiedot sekä lisätietoja palveluistamme ja takuuohjoista on myös Internetissä osoitteessa www.2helpU.com.

Tekniset tiedot

		FSM1600 FSM1600D (tyyppi 1)	FSM1500 (tyyppi 1)
Jännite	V_{ac}	230	230
Virta	W	1 600	1 500
Säiliön tilavuus	l	0,5	0,5
Paino	kg	2,52	2,52

Takuu

Black & Decker takaa, ettei tuotteessa ole materiaali- ja/tai valmistusvikaa silloin, kun se toimitetaan ostajalle. Takuu on lisäys kuluttajan laillisiin oikeuksiin eikä vaikuta niihin. Takuu on voimassa Euroopan unionin jäsenmaissa ja Euroopan vapaakauppa-alueella (EFTA).

Mikäli Black & Decker -kone hajoaa materiaali- ja/tai valmistusvirheen tai teknisten tietojen epätarkkuuden vuoksi 24 kk:n kuluessa ostopäivästä, Black & Decker korjaa koneen ilman kustannuksia ostajalle tai vaihtaa sen Black & Decker Oy:n valinnan mukaan. Takuu ei kata vikoja, jotka johtuvat seuraavista:

- ◆ Tuotetta on käytetty kaupallisesti, ammattimaisesti tai vuokraukseen.
- ◆ Tuotetta on käytetty tai hoidettu virheellisesti.
- ◆ Tuotetta on vahingoitettu vieraalla esineellä tai aineella tai se on ollut onnettomuudessa.
- ◆ Jos korjauksia on yrittänyt joku muu kuin Black & Deckerin valtuuttama edustaja tai Black & Deckerin henkilökunta.

Edellytyksenä takuun saamiselle on, että ostaja jättää koneen ja ostokuitin jälleenmyyjälle tai valtuutetulle huoltoliikkeelle.

Saat valtuutettujen huoltoliikkeiden yhteystiedot ottamalla yhteyden Black & Decker Oy:hyn tässä käyttöoppaassa ilmoitetussa osoitteessa. Valtuutettujen Black & Decker -huoltoliikkeiden yhteystiedot sekä lisätietoja palveluistamme ja takuuehdoista on myös Internetissä osoitteessa www.2helpU.com.

Voit rekisteröidä uuden Black & Decker -tuotteesi ja tarkastella tietoja uusista tuotteista ja erikoistarjouksista verkkosivuiltamme www.blackanddecker.fi. Saat lisätietoja Black & Deckerin tavaramerkistä ja tuotevalikoimastamme osoitteesta www.blackanddecker.fi.

Ενδεξιμένη χρήση

Η ηλεκτρική σκούπα ατμού Black & Decker έχει σχεδιαστεί για απολύμανση και καθαρισμό δαπέδων από στεγανοποιημένη σκληρή ξυλεία, στεγανοποιημένο laminate, λινοτάπητα, βινύλιο, κεραμικά πλακίδια, πέτρα και μάρμαρο και για το φρεσκάρισμα χαλιών. Αυτή η συσκευή προορίζεται μόνο για εσωτερική οικιακή χρήση.

Οδηγίες ασφαλείας



Προειδοποίηση! Διαβάστε όλες τις υποδείξεις και όλες τις οδηγίες. Η μη τήρηση των παρακάτω προειδοποιήσεων και οδηγιών μπορεί να προκαλέσει ηλεκτροπληξία, πυρκαγιά ή/και σοβαρούς τραυματισμούς.



Προειδοποίηση! Κατά τη χρήση συσκευών που τροφοδοτούνται με ηλεκτρικό ρεύμα, θα πρέπει να λαμβάνονται πάντα οι βασικές προφυλάξεις ασφαλείας, συμπεριλαμβανομένων των παρακάτω, για τον περιορισμό του κινδύνου πυρκαγιάς, ηλεκτροπληξίας, τραυματισμού προσώπων και υλικών ζημιών.

- ◆ Πριν χρησιμοποιήσετε τη συσκευή διαβάστε προσεκτικά ολόκληρο το εγχειρίδιο.
- ◆ Η προσωριζόμενη χρήση περιγράφεται σε αυτό το εγχειρίδιο. Τόσο η χρήση εξαρτημάτων ή προσαρτημάτων όσο και η πραγματοποίηση εργασιών με τη συσκευή που δε συνιστώνται σε αυτό το εγχειρίδιο οδηγούν γυμνοί κίνδυνο τραυματισμού.
- ◆ Φυλάξτε αυτό το εγχειρίδιο για μελλοντική αναφορά.

Χρήση της συσκευής σας

- ◆ Μην κατευθύνετε τον ατμό σε ανθρώπους, ζώα, ηλεκτρικές συσκευές ή ηλεκτρικές πρίζες.
- ◆ Μην την εκθέτετε σε βροχή.
- ◆ Μη βυθίζετε τη συσκευή μέσα σε νερό.
- ◆ Μην αφήνετε τη συσκευή σε μέρη όπου δεν μπορείτε να την επιβλέπετε.
- ◆ Μην αφήνετε τη συσκευή συνδεδεμένη με μια ηλεκτρική πρίζα, όταν δεν είναι σε χρήση.
- ◆ Ποτέ μην αποσυνδέετε τη συσκευή από την πρίζα τραβώντας από το καλώδιο τροφοδοσίας της. Διατηρείτε το καλώδιο τροφοδοσίας σε απόσταση από πηγές θερμότητας, λάδια και αιχμηρά άκρα.
- ◆ Μη χειρίζεστε τον ατμοκαθαριστή με βρεγμένα χέρια..
- ◆ Μην τραβάτε ή μεταφέρετε από το καλώδιο, μη χρησιμοποιείτε το καλώδιο ως λαβή, μην κλείνετε πόρτες πάνω στο καλώδιο, μην τραβάτε το καλώδιο γύρω από αιχμηρές γωνίες ή εκθέτετε το καλώδιο σε θερμαινόμενες επιφάνειες.

- ◆ Μη χρησιμοποιείτε τη συσκευή σε κλειστό χώρο γεμάτο με ατμούς που εκπέμπονται από διαλυτικό βυρναγιάς με βάση το λάδι, ορισμένες ουσίες κατά των σκόρων, εύφλεκτη σκόνη ή άλλα εκρηκτικά ή τοξικά αέρια.
- ◆ Ελέγξτε το είδος του δαπέδου με τον κατασκευαστή.
- ◆ Μη χρησιμοποιήσετε σε δέρμα, έπιπλα ή δάπεδα γυαλισμένα με κεριά, συνθετικά υφάσματα, βελούδο ή άλλα ευαίσθητα στον ατμό υλικά.



Προειδοποίηση! Μη χρησιμοποιείτε σε μη στεγανοποιημένα δάπεδα από ξύλο ή laminate. Σε επιφάνειες που έχουν υποστεί ετεξεργασία με κεριά ή σε ορισμένα δάπεδα που δεν κερώνονται, η λάμψη μπορεί να απομακρυνθεί από τη θερμότητα και τη δράση του ατμού. Συνιστάται πάντα να εκτελείτε μια δοκιμή σε μια απομονωμένη περιοχή της επιφάνειας που χρειάζεται να καθαριστεί πριν προχωρήσετε. Επίσης συνιστούμε να ελέγχετε τις οδηγίες χρήσης και φροντίδας από τον κατασκευαστή του δαπέδου.

- ◆ Ποτέ μην τοποθετείτε προϊόντα απομάκρυνσης των αλάτων, αρωματικά, οινόπνευματώδη ή απορρυπαντικά προϊόντα στον ατμοκαθαριστή, καθώς αυτό μπορεί να του προκαλέσει ζημιά ή να τον καταστήσει ανασφαλής για χρήση.
- ◆ Εάν ενεργοποιηθεί ο ασφαλειοδιακόπτης του σπιτιού, ενώ χρησιμοποιείται η λειτουργία ατμού, διακόψτε τη χρήση του προϊόντος αμέσως και επικοινωνήστε με το κέντρο εξυπηρέτησης πελατών. (Προσοχή στον κίνδυνο ηλεκτροπληξίας.)
- ◆ Η συσκευή εκπέμπει πολύ καυτό ατμό για την απολύμανση του χώρου χρήσης. Αυτό σημαίνει ότι η κεφαλή ατμού, τα εξαρτήματα καθαρισμού και το εξάρτημα για τα χαλιά θερμαίνονται πολύ κατά τη χρήση.
- ◆ **Προσοχή!** Να φοράτε πάντοτε κατάλληλα παπούτσια όταν χρησιμοποιείτε την ηλεκτρική σκούπα ατμού και κατά την αλλαγή των εξαρτημάτων της. Μη φοράτε παντόφλες ή υποδήματα που αφήνουν τα δάχτυλα ακάλυπτα.
- ◆ Το καπάκι μπορεί να θερμανθεί κατά τη χρήση.
- ◆ Μπορεί να διαφύγει ατμός από τη συσκευή κατά τη χρήση..
- ◆ Πρέπει να λαμβάνεται μέριμνα κατά τη χρήση αυτής της συσκευής. ΜΗΝ αγγίζετε οποιαδήποτε μέρη μπορεί να θερμανθούν κατά τη χρήση..
- ◆ Απενεργοποιήστε τη συσκευή, και να επαναφέρετε τη λαβή σε όρθια θέση πριν αφαιρέσετε το καπάκι από τη δεξαμενή νερού.
- ◆ Μόνο για χρήση στο δάπεδο, μην χρησιμοποιήσετε τη συσκευή ανάποδα. Αυτή η συσκευή προορίζεται μόνο για εσωτερική οικιακή χρήση.

Μετά τη χρήση

- ◆ Αποσυνδέστε τη συσκευή και αφήστε τη να κρυώσει πριν τον καθαρισμό.
- ◆ Όταν δε χρησιμοποιείται, η συσκευή πρέπει να φυλάσσεται σε στεγνό χώρο.
- ◆ Τα παιδιά δεν πρέπει να έχουν πρόσβαση σε αποθηκευμένες συσκευές.

Έλεγχος και επισκευή

- ◆ Αποσυνδέστε τη συσκευή από την πρίζα και αφήστε την να κρυώσει πριν την εκτέλεση οποιασδήποτε συντήρησης ή επισκευής.
- ◆ Πριν από τη χρήση, ελέγξτε τη συσκευή σας για τυχόν κατεστραμμένα ή ελαττωματικά εξαρτήματα. Ελέγξτε αν υπάρχουν σπασμένα εξαρτήματα, ζημιά σε διακόπτες και οτιδήποτε άλλο που μπορεί να επηρεάσει τη λειτουργία της.
- ◆ Να ελέγχετε τακτικά το καλώδιο τροφοδοσίας για ζημιές.
- ◆ Μη χρησιμοποιείτε τη συσκευή εάν οποιοδήποτε εξάρτημα είναι κατεστραμμένο ή ελαττωματικό.
- ◆ Φροντίστε να γίνει η επισκευή ή η αντικατάσταση των τυχόν ελαττωματικών εξαρτημάτων από εξουσιοδοτημένο κέντρο επισκευών.
- ◆ Μην επιχειρήσετε ποτέ να αφαιρέσετε ή να αντικαταστήσετε οποιοδήποτε εξάρτημα, εκτός από αυτά που καθορίζονται σε αυτό το εγχειρίδιο.

Ασφάλεια τρίτων

- ◆ Αυτή η συσκευή δεν προορίζεται για χρήση από άτομα (στα οποία περιλαμβάνονται και τα παιδιά) με μειωμένες φυσικές, αντιληπτικές ή διανοητικές ικανότητες ή άτομα χωρίς εμπειρία και γνώσεις, παρά μόνο εφόσον επιτηρούνται ή τους έχουν δοθεί οδηγίες σχετικά με τη χρήση της συσκευής από άτομο υπεύθυνο για την ασφάλειά τους.
- ◆ Τα παιδιά πρέπει να επιτηρούνται για να διασφαλίζεται ότι δεν παίζουν με τη συσκευή.

Αναπόφευκτοι κίνδυνοι.

Μπορεί να προκληθούν επιπρόσθετοι αναπόφευκτοι κίνδυνοι όταν χρησιμοποιείτε το εργαλείο οι οποίοι μπορεί να μη συμπεριλαμβάνονται στις προειδοποιήσεις ασφαλείας που εσωκλείονται. Αυτοί οι κίνδυνοι μπορεί να προκληθούν από κακή χρήση, παρατεταμένη χρήση κτλ.

Ακόμα και με την τήρηση των σχετικών κανονισμών ασφαλείας και τη χρήση μέσων προστασίας, ορισμένοι κίνδυνοι δεν είναι δυνατόν να εξαλειφθούν. Αυτοί περιλαμβάνουν:

- ◆ Τραυματισμούς από το άγγιγμα οποιονδήποτε κινούμενων εξαρτημάτων.
- ◆ Τραυματισμούς από το άγγιγμα των καυτών εξαρτημάτων.
- ◆ Τραυματισμούς από αλλαγή οποιωνδήποτε εξαρτημάτων ή αξεσουάρ.

- ◆ Τραυματισμοί που προκαλούνται από παρατεταμένη χρήση της συσκευής. Όταν χρησιμοποιείτε οποιαδήποτε συσκευή για παρατεταμένες χρονικές περιόδους βεβαιωθείτε ότι κάνετε τακτικά διαλείμματα.

Ασφαλής χρήση ηλεκτρικού ρεύματος



Προειδοποίηση! Το προϊόν αυτό πρέπει να γειώνεται. Ελέγχετε πάντοτε αν η τάση τροφοδοσίας αντιστοιχεί σε αυτήν που αναγράφεται στην πινακίδα τεχνικών χαρακτηριστικών.

Το φις της συσκευής πρέπει να ταιριάζει στην αντίστοιχη πρίζα. Δεν επιτρέπεται με κανέναν τρόπο η μετασκευή του φις. Τα φις που δεν έχουν υποστεί τροποποιήσεις και οι κατάλληλες πρίζες μειώνουν τον κίνδυνο ηλεκτροπληξίας.

- ◆ **Αν το καλώδιο ρεύματος έχει υποστεί φθορά, η αντικατάστασή του πρέπει να γίνει από τον κατασκευαστή ή από ένα εξουσιοδοτημένο κέντρο της Black & Decker, ώστε να μην αποτελέσει κίνδυνο.**

Καλώδια προέκτασης & προϊόν Κλάσης 1

- ◆ Επειδή η συσκευή σας είναι γειωμένη και κατασκευής Κλάσης 1 πρέπει να χρησιμοποιείται καλώδιο 3 αγωγών.
- ◆ Μπορούν να χρησιμοποιούνται καλώδια προέκτασης μήκους μέχρι 30m (100 ft) χωρίς πτώση τάσης.

Ετικέτες στη συσκευή

Τα ακόλουθα εικονογράμματα εμφανίζονται στο εργαλείο:



Προειδοποίηση! Για να μειωθεί ο κίνδυνος τραυματισμού, ο χρήστης πρέπει να διαβάσει το εγχειρίδιο οδηγιών.



Προειδοποίηση! Κίνδυνος εγκαυμάτων.

Χαρακτηριστικά

Η συσκευή αυτή διαθέτει μερικά ή όλα από τα παρακάτω χαρακτηριστικά:

1. Διακόπτης ON/Off
2. Περιστροφικό χειριστήριο Autoselect™
3. Δεξαμενή νερού
4. Λαβή
5. Κεφαλή ατμού
6. Εξάρτημα καθαρισμού
7. Πατάκι απόθεσης
8. Εξάρτημα χαλιών (FSM1600 & FSM1600D μόνο)
9. Κανάτα (FSM1600 & FSM1600D μόνο)

Συναρμολόγηση

Προειδοποίηση! Πριν επιχειρήσετε κάποια από τις παρακάτω εργασίες, βεβαιωθείτε ότι η συσκευή είναι απενεργοποιημένη και αποσυνδεδεμένη από την πρίζα και ότι η συσκευή είναι κρύα και δεν περιέχει καθόλου νερό.

Τοποθέτηση της λαβής (Εικ. Α & Β)

- ◆ Περάστε τη χειρολαβή (10) στο άνω άκρο της λαβής (4) μέχρι να ασφαλίσει στη θέση της.
- ◆ Περάστε το κάτω άκρο της λαβής (4) στο άνω του σώματος της ηλεκτρικής σκούπας ατμού (11) μέχρι να ασφαλίσει στη θέση της.
- ◆ Η λαβή μπορεί να απομακρυνθεί από το σώμα της ηλεκτρικής σκούπας ατμού για εύκολη αποθήκευση, πιέζοντας το κουμπί απελευθέρωσης του σωλήνα λαβής (12) και τραβώντας τη λαβή (4) έξω από το σώμα της ηλεκτρικής σκούπας ατμού (11).

Σύνδεση της κεφαλής ατμού (Εικ. C)

- ◆ Περάστε το κάτω άκρο του σώματος της ηλεκτρικής σκούπας ατμού (11) στην κεφαλή ατμού (5) μέχρι να ασφαλίσει στη θέση του.
- ◆ Η κεφαλή ατμού μπορεί να αφαιρεθεί από το σώμα της ηλεκτρικής σκούπας ατμού πιέζοντας το κουμπί απελευθέρωσης κεφαλής ατμού (13) και τραβώντας το σώμα της ηλεκτρικής σκούπας ατμού (11) από την κεφαλή ατμού (5).

Τοποθέτηση του εξαρτήματος καθαρισμού (Εικ. D)

Ανταλλακτικά εξαρτήματα καθαρισμού διατίθενται από τα εμπορικά σημεία πώλησης προϊόντων Black & Decker (κατ. αριθ. FSM20-XJ)

- ◆ Τοποθετήστε ένα εξάρτημα καθαρισμού (6) στο δάπεδο με την πλευρά με το 'βέλκρο' να βλέπει προς τα επάνω.
- ◆ Πιέστε ελαφριά την ηλεκτρική σκούπα ατμού πάνω στο εξάρτημα καθαρισμού (6).

Προσοχή! Πάντοτε τοποθετείτε την ηλεκτρική σκούπα ατμού στο πατάκι απόθεσης (7) με τη λαβή (4) σε όρθια θέση όταν είναι σε στάση και βεβαιωθείτε ότι η ηλεκτρική σκούπα ατμού είναι απενεργοποιημένη όταν δε χρησιμοποιείται.

Αφαίρεση ενός εξαρτήματος καθαρισμού (Εικ. Ε)

Προσοχή! Να φοράτε πάντοτε κατάλληλα παπούτσια όταν αλλάζετε το εξάρτημα καθαρισμού στην ηλεκτρική σκούπα ατμού. Μη φοράτε παντόφλες ή υποδήματα που αφήνουν τα δάχτυλα ακάλυπτα.

- ◆ Επαναφέρετε τη λαβή (4) σε όρθια θέση και θέστε την ηλεκτρική σκούπα ατμού στη θέση 'OFF'.
- ◆ Τοποθετήστε την ηλεκτρική σκούπα ατμού στο πατάκι απόθεσης και περιμένετε μέχρι να κρυώσει, (περίπου πέντε λεπτά)

- ◆ Τοποθετήστε το εμπρός μέρος του παπουτσιού σας επάνω στην ωτίδα αφαίρεσης του εξαρτήματος καθαρισμού (14) και πιέστε κάτω δυνατά.
- ◆ Ανασηκώστε την ηλεκτρική σκούπα ατμού από το εξάρτημα καθαρισμού.

Προσοχή! Πάντοτε τοποθετείτε την ηλεκτρική σκούπα ατμού στο πατάκι απόθεσης (7) με τη λαβή (4) σε όρθια θέση όταν είναι σε στάση και βεβαιωθείτε ότι η ηλεκτρική σκούπα ατμού είναι απενεργοποιημένη όταν δε χρησιμοποιείται.

Τοποθέτηση του εξαρτήματος χαλιών (Εικ. F) (FSM1600 & FSM1600D μόνο)

- ◆ Τοποθετήστε το εξάρτημα χαλιών στο δάπεδο.
- ◆ Πιέστε ελαφρά την ηλεκτρική σκούπα ατμού επάνω στο εξάρτημα χαλιών (8) μέχρι να κουμπώσει στη θέση του.

Προσοχή! Πάντοτε τοποθετείτε την ηλεκτρική σκούπα ατμού στο πατάκι απόθεσης (7) με τη λαβή (4) σε όρθια θέση όταν είναι σε στάση και βεβαιωθείτε ότι η ηλεκτρική σκούπα ατμού είναι απενεργοποιημένη όταν δε χρησιμοποιείται.

Αφαίρεση του εξαρτήματος χαλιών (Εικ. G) (FSM1600 & FSM1600D μόνο)

Προσοχή! Να φοράτε πάντοτε κατάλληλα παπούτσια όταν αλλάζετε το εξάρτημα χαλιών στην ηλεκτρική σκούπα ατμού σας. Μη φοράτε παντόφλες ή υποδήματα που αφήνουν τα δάχτυλα ακάλυπτα.

- ◆ Επαναφέρετε τη λαβή (4) σε όρθια θέση και θέστε την ηλεκτρική σκούπα ατμού στη θέση 'OFF'.
- ◆ Τοποθετήστε την ηλεκτρική σκούπα ατμού στο πατάκι απόθεσης και περιμένετε μέχρι να κρυώσει, (περίπου πέντε λεπτά)
- ◆ Τοποθετήστε το εμπρός μέρος του παπουτσιού σας επάνω στην ωτίδα αφαίρεσης του εξαρτήματος χαλιών (15) και πιέστε κάτω δυνατά.
- ◆ Ανασηκώστε την ηλεκτρική σκούπα ατμού από το εξάρτημα χαλιών (8).

Προσοχή! Πάντοτε τοποθετείτε την ηλεκτρική σκούπα ατμού στο πατάκι απόθεσης (7) με τη λαβή (4) σε όρθια θέση όταν είναι σε στάση και βεβαιωθείτε ότι η ηλεκτρική σκούπα ατμού είναι απενεργοποιημένη όταν δε χρησιμοποιείται.

Γέμισμα της δεξαμενής νερού (Εικ. Η, Ι & J)

Αυτή η ηλεκτρική σκούπα ατμού ενσωματώνει ένα σύστημα κατά των αλάτων για να βοηθήσει στην παράταση της διάρκειας ζωής του συστήματος.

Σημείωση: Γεμίστε τη δεξαμενή νερού με καθαρό νερό από τη βρύση.

Σημείωση: Σε περιοχές με πολύ σκληρό νερό, συνιστάται η χρήση απιονισμένου νερού.

- ◆ Εξασφαλίστε ότι η συσκευή είναι απενεργοποιημένη και ότι το καλώδιο τροφοδοσίας είναι αποσυνδεδεμένο από την πρίζα.

- ◆ Τοποθετήστε την ηλεκτρική σκούπα ατμού στο πατάκι απόθεσης (7) με τη λαβή (4) σε όρθια θέση.
- ◆ Αφαιρέστε την τάπα πλήρωσης (16) περιστρέφοντάς την αριστερόστροφα.
- ◆ Γεμίστε τη δεξαμενή νερού (3) με νερό.

Προειδοποίηση! Η δεξαμενή διαθέτει χωρητικότητα 0,5 λίτρων. Μη γεμίσετε τη δεξαμενή πάνω από το σημάδι Μεγ. πλήρωσης.

- ◆ Τοποθετήστε την τάπα πλήρωσης (16) περιστρέφοντάς την με δύναμη δεξιόστροφα.

Σημείωση: Όταν δεν είναι σε χρήση, η κανάτα μπορεί να κουμπώνει στη λαβή για πρακτική αποθήκευση (Εικ. J) (FSM1600 & FSM1600D μόνο)

Σημείωση: Βεβαιωθείτε ότι η τάπα πλήρωσης έχει ασφαλιστεί. Εσφαλμένη τοποθέτηση της τάπας πλήρωσης θα εμποδίσει τη λειτουργία της ηλεκτρικής σκούπας ατμού.

Χρήση

Ενεργοποίηση και απενεργοποίηση του εργαλείου

- ◆ Για να ενεργοποιήσετε τη συσκευή, πατήστε το κουμπί ON/OFF (1). Χρειάζονται περίπου 15 δευτερόλεπτα για την ηλεκτρική σκούπα ατμού να ζεσταθεί.

Σημείωση: Όταν η ηλεκτρική σκούπα ατμού ενεργοποιηθεί, στην αρχή η δεξαμενή νερού θα φωτιστεί κόκκινη. Μόλις η ηλεκτρική σκούπα ατμού είναι έτοιμη για χρήση η δεξαμενή νερού θα φωτιστεί μπλε.

- ◆ Για να απενεργοποιήσετε τη συσκευή, πατήστε το κουμπί ON/OFF (1).


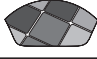

Προσοχή! Μην αφήνετε ποτέ την ηλεκτρική σκούπα ατμού στο ίδιο σημείο σε οποιαδήποτε επιφάνεια για οποιοδήποτε χρονικό διάστημα. Πάντοτε τοποθετείτε την ηλεκτρική σκούπα ατμού στο πατάκι απόθεσης (7) με τη λαβή (4) σε όρθια θέση όταν είναι σε στάση και βεβαιωθείτε ότι η ηλεκτρική σκούπα ατμού είναι απενεργοποιημένη όταν δε χρησιμοποιείται.

Προσοχή! Αδειάζετε πάντοτε την ηλεκτρική σκούπα ατμού μετά τη χρήση.

Τεχνολογία Autoselect™

Αυτή η ηλεκτρική σκούπα ατμού είναι εξοπλισμένη με ένα περιστροφικό χειριστήριο Autoselect™ (2) που εμφανίζει διάφορες εφαρμογές καθαρισμού. Χρησιμοποιούνται για την επιλογή του σωστού τρόπου λειτουργίας για τη συγκεκριμένη δική σας εργασία καθαρισμού.

Χρήση του περιστροφικού χειριστηρίου Autoselect™ (2), επιλέξτε μια από τις παρακάτω εφαρμογές:

	Ξύλο/Laminate
	Πέτρα/Μάρμαρο
	Πλακίδια/Βινύλιο

Η ηλεκτρική σκούπα ατμού θα επιλέξει τη σωστή ποσότητα ατμού που απαιτείται για τη συγκεκριμένη εργασία καθαρισμού σας.

Συμβουλές για άριστη χρήση

Γενικά

Προσοχή! Ποτέ μη χρησιμοποιείτε την ηλεκτρική σκούπα ατμού χωρίς πρώτα να προσαρμόσετε ένα εξάρτημα καθαρισμού.

- ◆ Πάντα καθαρίζετε με ηλεκτρική σκούπα ή σκουπίζετε το δάπεδο πριν από τη χρήση της ηλεκτρικής σκούπας ατμού.
- ◆ Ο ευκολότερος τρόπος να χρησιμοποιήσετε τη συσκευή είναι να γείρετε τη λαβή σε μια γωνία 45° και να καθαρίσετε αργά, καλύπτοντας μια μικρή περιοχή κάθε φορά.
- ◆ Μη χρησιμοποιείτε χημικά καθαριστικά με την ηλεκτρική σκούπα ατμού σας. Για να αφαιρέσετε επίμονους λεκέδες από δάπεδα βινυλίου ή λινόταπητα, μπορείτε να τους προ-επεξεργαστείτε με ένα ήπιο απορρυπαντικό και λίγο νερό πριν από τη χρήση της ηλεκτρικής σκούπας ατμού.

Καθαρισμός με ατμό

- ◆ Τοποθετήστε ένα εξάρτημα καθαρισμού (6) στο δάπεδο με την πλευρά με το 'βέλος' να βλέπει προς τα επάνω.
- ◆ Ανασηκώστε την ηλεκτρική σκούπα ατμού από το πατάκι απόθεσης (7) και πιέστε την ελαφριά πάνω στο εξάρτημα καθαρισμού (6).
- ◆ Τοποθετήστε την ηλεκτρική σκούπα ατμού στο πατάκι απόθεσης.
- ◆ Συνδέστε την ηλεκτρική σκούπα ατμού στην πρίζα.
- ◆ Περιστρέψτε το χειριστήριο Autoselect™ (2) στην απαιτούμενη ρύθμιση.
- ◆ Πιέστε το κουμπί ON/OFF (1). Χρειάζονται περίπου 15 δευτερόλεπτα για την ηλεκτρική σκούπα ατμού να ζεσταθεί.
- ◆ Τραβώντας τη λαβή (4) πίσω ενεργοποιείται η αντλία ατμού. Μετά από λίγα δευτερόλεπτα θα αρχίσει να βγαίνει ατμός από την κεφαλή ατμού.
- ◆ Χρειάζονται μερικά δευτερόλεπτα για να εισέλθει ο ατμός στο εξάρτημα καθαρισμού. Η ηλεκτρική σκούπα ατμού θα γλιστρήσει τώρα εύκολα πάνω από την επιφάνεια που πρόκειται να απολυμανθεί/καθαριστεί.

- ◆ Σπρώχνετε και τραβάτε την ηλεκτρική σκούπα ατμού αργά στο πάτωμα για να καθαριστεί με ατμό καλά κάθε τμήμα.

Σημείωση: Κατά τη χρήση μπορείτε να απενεργοποιήσετε την αντλία ατμού επιστρέφοντας τη λαβή σε όρθια θέση, αυτό το πρακτικό χαρακτηριστικό θα σας επιτρέψει να τοποθετήσετε την ηλεκτρική σκούπα ατμού στο πατάκι απόθεσης για ένα μικρό χρονικό διάστημα, έτσι ώστε να μπορείτε να μετακινήσετε κάποια έπιπλα, και μετά να συνεχίσετε τον καθαρισμό χωρίς την ανάγκη να απενεργοποιήσετε τη συσκευή.

- ◆ Όταν έχετε ολοκληρώσει τη χρήση της ηλεκτρικής σκούπας ατμού, επαναφέρετε τη λαβή (4) σε όρθια θέση και θέστε την στη θέση 'OFF', τοποθετήστε την στο πατάκι απόθεσης (7) και περιμένετε μέχρι να κρυώσει η ηλεκτρική σκούπα. (περίπου πέντε λεπτά)

Προσοχή! Είναι σημαντικό να παρακολουθείται η στάθμη του νερού στη δεξαμενή νερού. Για να ξαναγεμίσετε τη δεξαμενή νερού και να συνεχίσετε την απολύμανση/καθαρισμό, επαναφέρετε τη λαβή (4) σε όρθια θέση και θέστε την ηλεκτρική σκούπα ατμού στη θέση 'OFF'. Αποσυνδέστε τη συσκευή από την πρίζα τοίχου και ξαναγεμίστε τη δεξαμενή νερού (3) χρησιμοποιώντας την παρεχόμενη κανάτα (9).

Προσοχή! Μην αφήνετε ποτέ την ηλεκτρική σκούπα ατμού στο ίδιο σημείο σε οποιαδήποτε επιφάνεια για οποιοδήποτε χρονικό διάστημα. Πάντοτε τοποθετείτε την ηλεκτρική σκούπα ατμού στο πατάκι απόθεσης (7) με τη λαβή (4) σε όρθια θέση όταν είναι σε στάση και βεβαιωθείτε ότι η ηλεκτρική σκούπα ατμού είναι απενεργοποιημένη όταν δε χρησιμοποιείται.

Φρεσκάρισμα χαλιών

- ◆ Τοποθετήστε ένα εξάρτημα καθαρισμού (6) στο δάπεδο με την πλευρά με το 'βέλκρο' να βλέπει προς τα επάνω.
- ◆ Ανασηκώστε την ηλεκτρική σκούπα ατμού από το πατάκι απόθεσης (7) και πιέστε την ελαφριά πάνω στο εξάρτημα καθαρισμού (6).
- ◆ Τοποθετήστε το εξάρτημα χαλιών (8) στο δάπεδο.
- ◆ Πιέστε ελαφρά την ηλεκτρική σκούπα ατμού επάνω στο εξάρτημα χαλιών (8) μέχρι να κουμπώσει στη θέση του.
- ◆ Τοποθετήστε την ηλεκτρική σκούπα ατμού στο πατάκι απόθεσης. (7)
- ◆ Συνδέστε την ηλεκτρική σκούπα ατμού στην πρίζα.
- ◆ Περιστρέψτε το χειριστήριο Autoselect™ (2) στη ρύθμιση Ξύλο/Laminate.
- ◆ Πιέστε το κουμπί ON/OFF (1). Χρειάζονται περίπου 15 δευτερόλεπτα για την ηλεκτρική σκούπα ατμού να ζεσταθεί.
- ◆ Τραβώντας τη λαβή (4) πίσω ενεργοποιείται η αντλία ατμού. Μετά από λίγα δευτερόλεπτα θα αρχίσει να βγαίνει ατμός από την κεφαλή ατμού.
- ◆ Σπρώχνετε και τραβάτε την ηλεκτρική σκούπα ατμού αργά στο χαλί για να φρεσκαριστεί με ατμό καλά κάθε τμήμα.

Σημείωση: Κατά τη χρήση μπορείτε να απενεργοποιήσετε την αντλία ατμού επιστρέφοντας τη λαβή (4) σε όρθια θέση, αυτό το πρακτικό χαρακτηριστικό θα σας επιτρέψει να τοποθετήσετε την ηλεκτρική σκούπα ατμού στο πατάκι απόθεσης (7) έτσι ώστε να μπορείτε να μετακινήσετε κάποια έπιπλα, και μετά να συνεχίσετε τον καθαρισμό χωρίς την ανάγκη να απενεργοποιήσετε τη συσκευή.

- ◆ Όταν έχετε ολοκληρώσει τη χρήση της ηλεκτρικής σκούπας ατμού, επαναφέρετε τη λαβή (4) σε όρθια θέση και θέστε την στη θέση 'OFF', τοποθετήστε την στο πατάκι απόθεσης (7) και περιμένετε μέχρι να κρυώσει η ηλεκτρική σκούπα. (περίπου πέντε λεπτά)

Προσοχή! Είναι σημαντικό να παρακολουθείται η στάθμη του νερού στη δεξαμενή νερού. Για να ξαναγεμίσετε τη δεξαμενή νερού και να συνεχίσετε την απολύμανση/καθαρισμό, επαναφέρετε τη λαβή (4) σε όρθια θέση και θέστε την ηλεκτρική σκούπα ατμού στη θέση 'OFF'. Αποσυνδέστε τη συσκευή από την πρίζα τοίχου και ξαναγεμίστε τη δεξαμενή νερού χρησιμοποιώντας την παρεχόμενη κανάτα.

Προσοχή! Μην αφήνετε ποτέ την ηλεκτρική σκούπα ατμού στο ίδιο σημείο σε οποιαδήποτε επιφάνεια για οποιοδήποτε χρονικό διάστημα. Πάντοτε τοποθετείτε την ηλεκτρική σκούπα ατμού στο πατάκι απόθεσης (7) με τη λαβή (4) σε όρθια θέση όταν είναι σε στάση και βεβαιωθείτε ότι η ηλεκτρική σκούπα ατμού είναι απενεργοποιημένη όταν δε χρησιμοποιείται.

Μετά τη χρήση (Εικ. K & L)

- ◆ Επαναφέρετε τη λαβή (4) σε όρθια θέση και θέστε την ηλεκτρική σκούπα ατμού στη θέση 'OFF'.
- ◆ Τοποθετήστε την ηλεκτρική σκούπα ατμού στο πατάκι απόθεσης (7) και περιμένετε μέχρι να κρυώσει η ηλεκτρική σκούπα ατμού. (περίπου πέντε λεπτά)
- ◆ Αποσυνδέστε την ηλεκτρική σκούπα ατμού από την πρίζα τοίχου.
- ◆ Αδειάστε τη δεξαμενή νερού (3).
- ◆ Αφαιρέστε το εξάρτημα καθαρισμού (6) και πλύνετε το για την επόμενη χρήση. (Προσέξτε να ακολουθήσετε τις οδηγίες φροντίδας πλύσης που αναγράφονται στο εξάρτημα καθαρισμού).
- ◆ Τυλίξτε το καλώδιο γύρω από τα άγκιστρα τακτοποίησης καλωδίου (18 & 19).

Σημείωση: Το επάνω άγκιστρο τακτοποίησης καλωδίου (19) περιστρέφεται για να απελευθερώσει εύκολα το καλώδιο για την επόμενη χρήση.

- ◆ Κουμπώστε το καλώδιο τροφοδοσίας στο κλιπ άγκιστρου τακτοποίησης καλωδίου (20) κοντά στο βύσμα.
- ◆ Τοποθετήστε την ηλεκτρική σκούπα ατμού στο πατάκι απόθεσης (7) για αποθήκευση.

Σημείωση: Με τη λαβή (4) σε όρθια θέση, το καλώδιο τυλιγμένο τακτικά γύρω από τα άγκιστρα τακτοποίησης καλωδίου (18 & 19) και ασφαλισμένο στο κλιπ άγκιστρου τακτοποίησης καλωδίου (20) η ηλεκτρική σκούπα ατμού θα σταθεί μόνη της για αποθήκευση. Εναλλακτικά, υπάρχει ένα στήριγμα ανάρτησης (21) ενσωματωμένο στη χειρολαβή (10) το οποίο θα σας επιτρέψει να κρεμάσετε την ηλεκτρική σκούπα ατμού σας από ένα κατάλληλο άγκιστρο στον τοίχο. Πάντα εξασφαλίζετε ότι το άγκιστρο στον τοίχο σας είναι σε θέση να υποστηρίξει το βάρος της ηλεκτρικής σκούπας ατμού με ασφάλεια.

Συντήρηση και καθαρισμός

Αυτή η συσκευή με καλώδιο της Black & Decker έχει σχεδιαστεί έτσι ώστε να λειτουργεί για μεγάλο χρονικό διάστημα με την ελάχιστη δυνατή συντήρηση. Η αδιάλειπτη και ικανοποιητική λειτουργία της συσκευής εξαρτάται από τη σωστή φροντίδα και τον τακτικό καθαρισμό της.

Προειδοποίηση! Πριν πραγματοποιήσετε οποιαδήποτε συντήρηση ή καθαρισμό πάνω στη συσκευή με καλώδιο απενεργοποιήστε τη συσκευή και βγάλτε την από την πρίζα.

- ◆ Σκουπίστε τη συσκευή σας χρησιμοποιώντας ένα μαλακό υγρό πανί.
- ◆ Για επίμονους λεκέδες μπορείτε να χρησιμοποιήσετε ένα διάλυμα ήπιου σαπουνιού σε νερό για να υγράνετε το πανί σας.

Φροντίδα των εξαρτημάτων καθαρισμού

Οδηγίες φροντίδας πλυσίματος - Όχι μαλακτικό - Αφήστε να στεγνώσει πλήρως πριν επαναχρησιμοποιήσετε ξανά.

Προσοχή! Ακολουθήστε τις οδηγίες καθαρισμού που αναγράφονται στην ετικέτα του εξαρτήματος καθαρισμού.

Αντικατάσταση του ρευματολήπτη (H.B. & Ιρλανδία μόνο)

Αν χρειαστεί να εγκαταστήσετε έναν καινούριο ρευματολήπτη (φίς):

- ◆ Απορρίψτε με ασφαλή τρόπο το παλιό φίς.
- ◆ Συνδέστε τον καφέ αγωγό στον ηλεκτροφόρο ακροδέκτη του νέου ρευματολήπτη.
- ◆ Συνδέστε τον μπλε αγωγό στον ουδέτερο ακροδέκτη.
- ◆ Συνδέστε τον πράσινο/ κίτρινο αγωγό στον ακροδέκτη γείωσης.

Προειδοποίηση! Ακολουθήστε τις οδηγίες τοποθέτησης που παρέχονται με τους καλής ποιότητας ρευματολήπτες (φίς). Προτεινόμενη ασφάλεια τήξης: 13A.

Προστασία του περιβάλλοντος



Ξεχωριστή περισυλλογή. Αυτό το προϊόν δεν πρέπει να απορρίπτεται μαζί με τα κοινά οικιακά απορρίμματα.

Εάν κάποια μέρα διαπιστώσετε ότι το προϊόν σας Black & Decker χρειάζεται αντικατάσταση ή ότι δεν το χρειάζεστε άλλο, μην το απορρίψετε μαζί με τα κοινά οικιακά απορρίμματα αλλά διαθέστε αυτό το προϊόν για ξεχωριστή περισυλλογή.



Η ξεχωριστή περισυλλογή των μεταχειρισμένων προϊόντων και των υλικών συσκευασίας επιτρέπει την ανακύκλωση και επαναχρησιμοποίηση των υλικών. Με την επαναχρησιμοποίηση των ανακυκλωμένων υλικών αποτρέπεται η μόλυνση του περιβάλλοντος και μειώνεται η ζήτηση πρώτων υλών.

Οι κανονισμοί που ισχύουν στην περιοχή σας ενδέχεται να προβλέπουν την ξεχωριστή περισυλλογή των ηλεκτρικών συσκευών που προέρχονται από νοικοκυριά σε δημόσιες εγκαταστάσεις ή από τον έμπορο όταν αγοράσετε ένα καινούριο προϊόν.

Η Black & Decker δίνει τη δυνατότητα ανακύκλωσης των προϊόντων της που έχουν συμπληρώσει τη διάρκεια ζωής τους. Για να χρησιμοποιήσετε αυτήν την υπηρεσία, επιστρέψτε το προϊόν σας σε οποιοδήποτε εξουσιοδοτημένο κέντρο επισκευών, όπου θα το παραλάβουν εκ μέρους μας.

Ενημερωθείτε για το πλησιέστερο εξουσιοδοτημένο κέντρο επισκευών της περιοχής σας, επικοινωνώντας με τα γραφεία της Black & Decker στη διεύθυνση που αναγράφεται στο εγχειρίδιο. Επίσης, μια λίστα με τα εξουσιοδοτημένα κέντρα επισκευών της Black & Decker και πλήρεις λεπτομέρειες για τις υπηρεσίες που παρέχονται μετά την πώληση καθώς και στοιχεία επικοινωνίας υπάρχουν στο Διαδίκτυο, στη διεύθυνση: www.2helpU.com

Τεχνικά χαρακτηριστικά

		FSM1600 FSM1600D (Τύπος 1)	FSM1500 (Τύπος 1)
Τάση	V_{ac}	230	230
Ισχύς	W	1600	1500
Χωρητικότητα δεξαμενής	l	0,5	0,5
Βάρος	kg	2,52	2,52

Εγγύηση

Η Black & Decker είναι σίγουρη για την ποιότητα των προϊόντων της και παρέχει μια εξαιρετική εγγύηση. Η παρούσα γραπτή εγγύηση αποτελεί πρόσθετο δικαίωμά σας και δεν ζημιώνει τα νόμιμα δικαιώματά σας. Η εγγύηση ισχύει εντός της επικράτειας των Κρατών Μελών της Ευρωπαϊκής Ένωσης και της Ευρωπαϊκής Ζώνης Ελευθέρων Συναλλαγών.

Σε περίπτωση που κάποιο προϊόν της Black & Decker παρουσιάσει βλάβη εξαιτίας ελαττωματικών υλικών, ποιότητας εργασίας ή έλλειψης συμφωνίας με τις προδιαγραφές εντός 24 μηνών από την ημερομηνία αγοράς, η Black & Decker εγγυάται την αντικατάσταση των ελαττωματικών τμημάτων, την επισκευή προϊόντων που έχουν υποστεί εύλογη φθορά λόγω χρήσης ή την αντικατάσταση των προϊόντων προκειμένου να εξασφαλίσει την ελάχιστη ενόχληση στους πελάτες της, εκτός εάν:

- ◆ Το προϊόν έχει χρησιμοποιηθεί σε εργασιακό, επαγγελματικό περιβάλλον ή έχει ενοικιαστεί.
- ◆ Έχει γίνει εσφαλμένη χρήση του προϊόντος ή έχει παραμεληθεί.
- ◆ Το προϊόν έχει υποστεί βλάβη από άλλα αντικείμενα, από ουσίες ή λόγω ατυχήματος.
- ◆ Έχει γίνει προσπάθεια επισκευής από μη εξουσιοδοτημένα κέντρα επισκευών ή από προσωπικό που δεν ανήκει στο προσωπικό της Black & Decker.

Για να ισχύσει η εγγύηση, πρέπει να υποβάλετε απόδειξη αγοράς στον πωλητή ή το εξουσιοδοτημένο κέντρο επισκευών. Ενημερωθείτε για το πλησιέστερο εξουσιοδοτημένο κέντρο επισκευών της περιοχής σας, επικοινωνώντας με τα γραφεία της Black & Decker στη διεύθυνση που αναγράφεται στο εγχειρίδιο. Επίσης, μια λίστα με τα εξουσιοδοτημένα κέντρα επισκευών της Black & Decker και πλήρεις λεπτομέρειες για τις υπηρεσίες που παρέχονται μετά την πώληση καθώς και στοιχεία επικοινωνίας υπάρχουν στο Διαδίκτυο, στη διεύθυνση: www.2helpU.com

Παρακαλούμε επισκεφθείτε την ιστοσελίδα μας www.blackanddecker.gr για να καταχωρήσετε το νέο σας προϊόν Black & Decker και για να ενημερώνεστε για τα νέα προϊόντα και τις ειδικές προσφορές. Περισσότερες πληροφορίες σχετικά με τη μάρκα Black & Decker και τη σειρά των προϊόντων μας θα βρείτε στη διεύθυνση www.blackanddecker.gr

Kullanım amacı

Black & Decker buharlı süpürge, sızdırmaz ahşap döşeme, sızdırmaz laminat parke, muşamba, marley, seramik fayans, taş ve mermer zeminleri temizlemek ve sterilize etmek ve halılarınızı temizlemek amacıyla tasarlanmıştır. Bu cihaz, yalnızca ev içinde kullanım amacıyla tasarlanmıştır.

Güvenlik talimatları



Uyarı! Tüm güvenlik uyarılarını ve tüm talimatları okuyun. Aşağıda listelenen uyarılara ve talimatlara uyulmaması, elektrik çarpması ve yangın gibi tehlikelerle ve/veya ciddi yaralanmalarla sonuçlanabilir.



Uyarı! Çıkışlı cihazları kullanırken, yangın tehlikesini, elektrik çarpması riskini, kişisel yaralanmaları ve maddi zararı azaltmak için aşağıdakilerin de yer aldığı temel güvenlik önlemlerine her zaman uyulmalıdır.

- ◆ Cihazı kullanmadan önce elinizdeki kullanım kılavuzunu baştan sona dikkatle okuyun.
- ◆ Cihazın kullanım amacı bu kılavuzda açıklanmıştır. Cihazın bu kılavuzda önerilenlerden başka aksesuar ve ek parçalarla kullanılması ya da başka amaçlarla çalıştırılması yaralanmalara yol açabilir.
- ◆ İleride bakmak üzere bu kılavuzu saklayın.

Cihazın kullanılması

- ◆ Buharı doğrudan insanlara, hayvanlara, elektrikli aletlere veya prizlere yöneltmeyin.
- ◆ Cihazı yağmura maruz bırakmayın.
- ◆ Cihazı suya batırmayın.
- ◆ Cihazı gözetimsiz bırakmayın.
- ◆ Kullanılmadığı zaman cihazı elektrik prizine takılı olarak bırakmayın.
- ◆ Cihazı prizden çekmek için asla elektrik kablosunu çekmeyin. Cihaz kablosunu ısıdan, yağdan ve keskin kenarlardan uzak tutun.
- ◆ Buharlı temizleyiciyi ıslak ellerle tutmayın.
- ◆ Cihazın kordonunu çekmeyin veya cihazı kordonundan taşımayın, kordonu cihazın sapı olarak kullanmayın, kordonun üzerinden kapı kapatmayın veya kordonu keskin kenarların etrafından veya köşelerden çekmeyin. Kordonu ısınmış yüzeylerden uzak tutun.
- ◆ Cihazı yağ bazlı tiner, bazı güve kovucu ilaçlardan çıkan buharla, kolay tutuşabilir toz veya diğer patlayıcı veya toksik buharla kaplı kapalı mekanlarda kullanmayın.
- ◆ Zemin tipini üreticiden öğrenebilirsiniz.
- ◆ Cihazı deri, pasta cilalı mobilya veya döşemeler, sentetik kumaşlar, kadife veya diğer hassas, buhara duyarlı materyaller üzerinde kullanmayın.



Uyarı! Cihazı arası açılmış ahşap veya laminat döşemeler üzerinde kullanmayın. Pasta cila yapılmış yüzeylerde ya da bazı cilasız zeminlerdeki parlaklık ısı ve buharın etkisiyle kaybolabilir. Temizleme işlemine devam etmeden önce yüzey üzerinde küçük bir alanda cihazın test edilmesi tavsiye edilir. Ayrıca zemin döşemesinin üreticisinden kullanım ve bakım bilgileri edinmenizi öneririz.

- ◆ Buharlı temizleyicinin içine kireç çözücü, aromalı madde, alkol ya da deterjan içeren ürünleri hiçbir zaman koymayın. Bunlar cihazınıza zarar verebilir.
- ◆ Buhar özelliği kullanılırken sigorta atarsa, ürünü kullanmayı hemen bırakın ve müşteri destek merkezine başvurun. (Elektrik çarpması riskine karşı dikkatli olun.)
- ◆ Kullanım alanını sterilize etmek için cihaz dışarıya çok sıcak buhar verir. Dolayısıyla buhar başlığı, temizleme pedleri ve halı aparatı kullanım esnasında çok ısınır.
- ◆ **Dikkat!** Buharlı süpürgeyi kullanırken ve buharlı süpürgezin aksesuarlarını değiştirirken her zaman uygun bir ayakkabı giyin. Terlik ya da burnu açık ayakkabı giymeyin.
- ◆ Kullanım sırasında kapak ısınabilir.
- ◆ Kullanım sırasında cihazdan dışarı buhar sızıntısı olabilir.
- ◆ Cihazı kullanırken dikkatli olunmalıdır. Kullanım sırasında ısınabilecek parçalara DOKUNMAYIN.
- ◆ Su haznesinin kapağını çıkarmadan önce cihazı kapatın ve sapını dik konuma getirin.
- ◆ Yalnızca zeminde kullanım için, üniteyi baş aşağı çevirmeyin. Bu cihaz yalnızca ev içi kullanım içindir.

Kullandıktan sonra

- ◆ Cihazın fişini çekin ve temizlemeden önce soğumasını bekleyin.
- ◆ Cihaz, kullanılmadığı zaman kuru bir yerde saklanmalıdır.
- ◆ Cihazlar çocukların ulaşamayacağı yerlere kaldırılmalıdır.

İnceleme ve onarımlar

- ◆ Cihazın fişini çekin ve herhangi bir bakım veya onarım işleminden önce soğumasını bekleyin.
- ◆ Kullanmadan önce cihazı kontrol ederek hasarlı ya da arızalı parça olup olmadığına bakın. Parçalarda kırılma, düğmelerde hasar ve cihazın çalışmasını etkileyebilecek başka durumlar olup olmadığını kontrol edin.
- ◆ Cihazın kablosunda hasar olup olmadığını düzenli olarak kontrol edin.
- ◆ Hasarlı veya arızalı parça varsa cihazı kullanmayın.
- ◆ Hasarlı ya da arızalı parçaların onarım veya değiştirme işlemlerini yetkili serviste yaptırın.
- ◆ Hiçbir parçayı yerinden çıkarmayı denemeyin ve bu kılavuzda belirtilenlerden başka parçalarla değiştirmeyin.

Başka kişilerin güvenliği

- ◆ Bu cihaz, güvenliklerinden sorumlu bir kişi tarafından gerekli denetim ve yönlendirme uygulanmadan, (çocuklar dahil) fiziksel, duyuşsal ve akli kapasitesi kısıtlı veya yeterli deneyim ve bilgiye sahip olmayan kişilerce kullanılmamalıdır.
- ◆ Cihazla oynamalarının sağlanması için çocuklar gözetim altında tutulmalıdır.

Diğer riskler.

Alet kullanılırken, aletle birlikte gönderilen güvenlik uyarılarında yer almayan farklı ek riskler ortaya çıkabilir. Bu riskler yanlış kullanım, uzun süreli kullanım, vb. nedenlerden kaynaklanabilir.

İlgili güvenlik düzenlemelerine ve güvenlik cihazları uygulamalarına uyulsa dahi diğer bazı riskler önlenemeyebilir. Bu riskler arasında şunlar yer alır:

- ◆ Hareket eden parçalara dokunulmasından kaynaklanan yaralanmalar.
- ◆ Isınan parçalara dokunulmasından kaynaklanan yaralanmalar.
- ◆ Parça veya aksesuar değiştirilirken ortaya çıkan yaralanmalar.
- ◆ Cihazın uzun süre kullanılmasıyla kaynaklanan yaralanmalar. Herhangi bir cihazı uzun süre kullanıyorsanız, düzenli olarak kullanıma ara vermeyi unutmayın.

Elektrik güvenliği



Uyarı! Bu ürünün topraklanması gerekir.
Güç kaynağının, anma değerleri plakasında belirtilen voltaja uygun olup olmadığını her zaman kontrol edin.

Elektrikli aletin fişleri prize uymalıdır. Fişi hiçbir şekilde değiştirmeyin. Değiştirilmemiş fişler ve uygun prizler elektrik çarpması riskini azaltır.

- ◆ **Elektik kablolu hasar görürse, tehlikeli bir durum oluşmasını önlemek için üretici veya yetkili bir Black & Decker Servis Merkezi tarafından değiştirilmesi gerekir.**

Uzatma kabloları ve Class 1 ürünleri

- ◆ **Cihazınızı topraklandığı ve Class 1 yapısında olduğu için 3 damarlı kablo kullanılmalıdır.**
- ◆ **Güç kaybı olmadan 30 metreye kadar olan kablo kullanılabilir.**

Cihaz üzerindeki etiketler

Aşağıdaki semboller aletin üzerinde gösterilir:



Uyarı! Yaralanma riskini azaltmak için kullanıcıların kullanma kılavuzunu okumaları gerekir.



Uyarı! Buhar yanığı tehlikesi.

Aksamalar

Bu cihazda aşağıdaki aksamaların bazıları veya tamamı bulunur.

1. Açma/kapatma (ON/OFF) düğmesi
2. Autoselect™ düğmesi
3. Su haznesi
4. Süpürge sapı
5. Buhar Başlığı
6. Temizleme pedi
7. Koruma altlığı
8. Halı başlığı (yalnızca FSM1600 & FSM1600D modelinde)
9. Su kabı (yalnızca FSM1600 & FSM1600D modelinde)

Cihazın Montajı

Uyarı! Aşağıdaki işlemlerden herhangi birini gerçekleştirmeye çalışmadan önce cihazın kapalı, fişinin çekilmiş ve soğumuş olduğundan ve içerisinde su bulunmadığından emin olun.

Süpürgenin sapının takılması (Şekil A ve B)

- ◆ Tutma kolunu (10) yerine oturana kadar süpürgenin sapının üst kısmında (4) kaydırın.
- ◆ Süpürgenin sapının alt kısmını (4) yerine oturana kadar buharlı süpürgenin gövdesinin üst kısmında (11) kaydırın.
- ◆ Daha kolay muhafaza etmek için süpürgenin sap borusundaki kilit açma düğmesine basarak (12) ve sapı süpürgenin gövdesinden dışarı doğru çekerek (4) sapı buharlı süpürgenin gövdesinden (11) çıkarabilirsiniz.

Buhar başlığının takılması (Şekil C)

- ◆ Buharlı süpürgenin gövdesinin alt kısmını (11) yerine oturana kadar buhar başlığı (5) üzerinde kaydırın.
- ◆ Daha kolay muhafaza etmek için süpürgenin buhar başlığındaki kilit açma düğmesine basarak (13) ve buharlı süpürgenin gövdesini (11) buhar başlığından çekerek (5) buhar başlığını buharlı süpürgenin gövdesinden çıkarabilirsiniz.

Temizleme pedinin takılması (Şekil D)

Yedek temizleme pedlerini Black & Decker yetkili satıcınızdan temin edebilirsiniz (kat. no. FSMP20-XJ):

- ◆ Temizleme pedini (6) cırt cırtlı tarafı yukarı gelecek şekilde yere koyun.
- ◆ Buharlı süpürgeyi temizleme pedinin üzerine hafifçe bastırın (6).

Dikkat! Buharlı süpürgeyi çalışmadığı zamanlarda her zaman koruma altlığı üzerinde (7) ve sapı dik konumda (4) tutun ve kullanılmadığı zamanlarda buharlı süpürgeziniz kapalı olduğundan emin olun.

Temizleme pedinin çıkarılması (Şekil E)

Dikkat! Buharlı süpürgeziniz temizleme pedini değiştirirken her zaman uygun bir ayakkabı giyin. Terlik ya da burnu açık ayakkabı giymeyin.

- ◆ Sapı (4) dik konuma getirin ve buharlı süpürgeyi 'OFF' (Kapalı) konumuna alarak kapatın.
- ◆ Buharlı süpürgeyi koruma altlığının üzerine yerleştirin ve soğuyuncaya kadar bekleyin. (yaklaşık beş dakika)
- ◆ Ayakkabınızın ön ucunu temizleme pedini çıkarma parçasının üzerine koyun (14) ve sıkıca bastırın.
- ◆ Buharlı süpürgeyi temizleme pedinden yukarı kaldırarak çıkarın.

Dikkat! Buharlı süpürgeyi çalışmadığı zamanlarda her zaman koruma altlığı üzerinde (7) ve sapı dik konumda (4) tutun ve kullanılmadığı zamanlarda buharlı süpürgeziniz kapalı olduğundan emin olun.

Halı başlığının takılması (Şekil F) (yalnızca FSM1600 & FSM1600D modelinde)

- ◆ Halı başlığını yere koyun.
- ◆ Buharlı süpürgeyi yerine oturana kadar halı başlığı (8) üzerinde aşağıya doğru hafifçe bastırın.

Dikkat! Buharlı süpürgeyi çalışmadığı zamanlarda her zaman koruma altlığı üzerinde (7) ve sapı dik konumda (4) tutun ve kullanılmadığı zamanlarda buharlı süpürgeziniz kapalı olduğundan emin olun.

Halı başlığının çıkarılması (Şekil G) (yalnızca FSM1600 & FSM1600D modelinde)

Dikkat! Buharlı süpürgeziniz halı başlığını değiştirirken her zaman uygun bir ayakkabı giyin. Terlik ya da burnu açık ayakkabı giymeyin.

- ◆ Sapı (4) dik konuma getirin ve buharlı süpürgeyi 'OFF' (Kapalı) konumuna alarak kapatın.
- ◆ Buharlı süpürgeyi koruma altlığının üzerine yerleştirin ve soğuyuncaya kadar bekleyin. (yaklaşık beş dakika)
- ◆ Ayakkabınızın ön ucunu halı başlığını çıkarma parçasının üzerine koyun(15) ve sıkıca bastırın.
- ◆ Buharlı süpürgeyi halı başlığından yukarı kaldırarak çıkarın.(8).

Dikkat! Buharlı süpürgeyi çalışmadığı zamanlarda her zaman koruma altlığı üzerinde (7) ve sapı dik konumda (4) tutun ve kullanılmadığı zamanlarda buharlı süpürgeziniz kapalı olduğundan emin olun.

Su haznesinin doldurulması (Şekil H, I ve J)

Bu buharlı süpürge, sistemin daha uzun süre kullanılmasına yardımcı olmak için kirece karşı koruma sistemi içerir.

Not: Su haznesine temiz musluk suyu doldurun.

Not: Suyu çok sert olan bölgelerde, iyonsuzlaştırılmış su kullanılması önerilir.

- ◆ Cihazın kapalı olduğundan ve elektrik kablosunun prizden çekili olduğundan emin olun.
- ◆ Buharlı süpürgeyi koruma altlığının üzerine (7) sapı (4) dik konumda olacak şekilde yerleştirin.
- ◆ Doldurma kapağını (16) saat yönünün tersine döndürerek çıkarın.
- ◆ Hazneye (3) su doldurun.

Uyarı! Haznenin su kapasitesi 0,5 litredir. Hazneyi Max doldurma işaretini aşmayacak şekilde doldurun.

- ◆ Doldurma kapağını (16) saat yönünde sıkıca döndürerek takın.

Not: Saklama açısından kolaylık sağlaması amacıyla kullanılmadığı zamanlarda su kabını süpürgezin sapına takabilirsiniz (Şekil J) (yalnızca FSM1600 & FSM1600D modelinde)

Not: Doldurma kapağının sıkıca yerleştirildiğinden emin olun. Aksi halde buharlı süpürge çalışmaya başlayamaz.

Kullanım

Açma ve kapatma

- ◆ Cihazı açmak için ON/OFF (açma/kapatma) düğmesine (1) basın. Buharlı süpürgezin ısınması yaklaşık 15 saniye sürer.

Not: Buharlı süpürge ilk açıldığında su haznesinde kırmızı ışık yanacaktır. Buharlı süpürge kullanıma hazır olduğunda su haznesinde mavi ışık yanacaktır.

- ◆ Cihazı kapatmak için ON/OFF (açma/kapatma) düğmesine (1) basın.


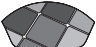

Dikkat! Buharlı süpürgeyi hiçbir zaman belli bir süre herhangi bir yüzeydeki tek bir nokta üzerinde bırakmayın. Buharlı süpürgeyi çalışmadığı zamanlarda her zaman koruma altlığı üzerinde (7) ve sapı dik konumda (4) tutun ve kullanılmadığı zamanlarda buharlı süpürgeziniz kapalı olduğundan emin olun.

Dikkat! Kullandıktan sonra buharlı süpürgezin içini her zaman boşaltın.

Autoselect™ Teknolojisi

Bu buharlı süpürge bulunan Autoselect™ düğmesi (2) ile çeşitli temizlik uygulamalarını seçebilirsiniz. Bu uygulamalar, temizleme işleminiz için doğru olan çalışma modunu seçmek için kullanılır.

Autoselect™ düğmesini (2) kullanarak aşağıdaki uygulamalardan birini seçin:

	Ahşap/Laminat
	Taş/Mermer
	Fayans/Marley

Buharlı süpürge, temizleme işleminiz için gereken doğru miktardaki buharı ayarlayacaktır.

En uygun kullanım için ipuçları

Genel

Dikkat! Önce bir temizleme pedi takmadan, buharlı süpürgeyi hiçbir zaman kullanmayın.

- ◆ Buharlı süpürgeyi kullanmadan önce zemini mutlaka elektrik süpürgesiyle veya süpürgeyle süpürün.
- ◆ Makineyi kullanmanın en kolay yolu, sapını 45°'lik bir açıya getirip, tek seferde küçük bir alanı kaplayacak şekilde yavaşça temizlemektir.
- ◆ Buharlı süpürgeyle kimyasal temizleyiciler kullanmayın. Marley ya da muşamba döşemelerdeki inatçı lekeleri temizlemek için buharlı süpürgeyi kullanmadan önce lekenin üstüne hafif deterjan ve biraz su dökerek ön temizlik yapın.

Buharla temizleme

- ◆ Temizleme pedini (6) cırt cırtlı tarafı yukarı gelecek şekilde yere koyun.
- ◆ Buharlı süpürgeyi koruma altlığından (7) kaldırın ve temizleme pedinin üstüne doğru hafifçe bastırın (6).
- ◆ Buharlı süpürgeyi koruma altlığının üzerine yerleştirin.
- ◆ Buharlı süpürgeyi prize takın.
- ◆ Autoselect™ düğmesini (2) gereken ayara getirin.
- ◆ ON/OFF (açma/kapatma) düğmesine basın (1). Buharlı süpürgeyi ısınması yaklaşık 15 saniye sürer.
- ◆ Sapı (4) geriye doğru çektiğinizde buhar pompası çalışacaktır. Birkaç saniye sonra buhar başlığından buhar gelmeye başlayacaktır.
- ◆ Buharın temizleme pedine gelmesi birkaç saniye sürer. Buharlı süpürge artık temizlenecek/sterilize edilecek yüzey üzerinde kolayca hareket edecektir.
- ◆ Her yeri buharla iyice temizlemek için buharlı süpürgeyi zemin üzerinde yavaşça ileri geri gezdirin.

Not: Kullanım esnasında süpürgeyi sapını dik konuma getirerek buhar pompasını kapatabilirsiniz, bu kolay özellik sayesinde kısa bir süre için buharlı süpürgeyi koruma altlığına yerleştirebilir, böylece mobilyalarınızın yerini değiştirmek için zaman kazanıp cihazı tamamen kapatmadan temizleme işlemine devam edebilirsiniz.

- ◆ Buharlı süpürgeyle işiniz bittiğinde sapı (4) yeniden dik konuma getirip, cihazı 'OFF' konumuna alarak kapatın ve koruma altlığına yerleştirin (7) ve cihaz soğuyuncaya kadar bekleyin. (yaklaşık beş dakika)

Dikkat! Su haznesindeki su seviyesini izlemek önemlidir.

Su haznesini tekrar doldurmak ve temizleme/sterilize etme işlemine devam etmek için süpürgeyi sapını(4) dik konuma getirin ve cihazı 'OFF' (kapalı) konumuna alarak kapatın. Fişi prizden çekin ve su haznesini (3) ürünle birlikte gönderilen su kabını(9) kullanarak yeniden doldurun.

Dikkat! Buharlı süpürgeyi hiçbir zaman belli bir süre herhangi bir yüzeydeki tek bir nokta üzerinde bırakmayın. Buharlı süpürgeyi çalışmadığı zamanlarda her zaman koruma altlığı üzerinde (7) ve sapı dik konumda (4) tutun ve kullanılmadığı zamanlarda buharlı süpürgeyi kapalı olduğundan emin olun.

Halıların temizlenmesi

- ◆ Bir temizleme pedini (6) cırt cırtlı tarafı yukarı gelecek şekilde yere koyun.
- ◆ Buharlı süpürgeyi koruma altlığından (7) kaldırın ve temizleme pedinin üstüne doğru hafifçe bastırın (6).
- ◆ Halı başlığını (8) yere koyun.
- ◆ Buharlı süpürgeyi yerine oturana kadar halı başlığı üzerinde aşağıya doğru (8) hafifçe bastırın.
- ◆ Buharlı süpürgeyi koruma altlığının üzerine yerleştirin. (7)
- ◆ Buharlı süpürgeyi prize takın.
- ◆ Autoselect™ düğmesini (2) Ahşap/Laminat ayarına getirin.
- ◆ ON/OFF (açma/kapatma) düğmesine basın (1). Buharlı süpürgeyi ısınması yaklaşık 15 saniye sürer.
- ◆ Sapı (4) geriye doğru çektiğinizde buhar pompası çalışacaktır. Birkaç saniye sonra buhar başlığından buhar gelmeye başlayacaktır.
- ◆ Her yeri buharla iyice temizlemek için buharlı süpürgeyi halının üzerinde yavaşça ileri geri gezdirin.

Not: Kullanım esnasında süpürgeyi sapını (4) dik konuma getirerek buhar pompasını kapatabilirsiniz, bu özellik sayesinde kısa bir süre için buharlı süpürgeyi koruma altlığına (7) yerleştirebilir, böylece mobilyalarınızın yerini değiştirmek için zaman kazanıp cihazı tamamen kapatmadan temizleme işlemine devam edebilirsiniz.

- ◆ Buharlı süpürgeyle işiniz bittiğinde sapı (4) yeniden dik konuma getirip, cihazı 'OFF' konumuna alarak kapatın ve koruma altlığına yerleştirin (7) ve cihaz soğuyuncaya kadar bekleyin. (yaklaşık beş dakika)

Dikkat! Su haznesindeki su seviyesini izlemek önemlidir. Su haznesini tekrar doldurmak ve temizleme/sterilize etme işlemine devam etmek için süpürgeğin sapını(4) dik konuma getirin ve cihazı 'OFF' (kapalı) konumuna alarak kapatın. Fiş prizden çekin ve su haznesini ürünle birlikte gönderilen su kabını kullanarak yeniden doldurun.

Dikkat! Buharlı süpürgeyi hiçbir zaman belli bir süre herhangi bir yüzeydeki tek bir nokta üzerinde bırakmayın. Buharlı süpürgeyi çalışmadığı zamanlarda her zaman koruma altlığı üzerinde (7) ve sapı dik konumda (4) tutun ve kullanılmadığı zamanlarda buharlı süpürgezinin kapalı olduğundan emin olun.

Kullandıktan sonra (Şekil K ve L)

- ◆ Sapı (4) dik konuma getirin ve buharlı süpürgeyi 'OFF' konumuna alarak kapatın.
- ◆ Buharlı süpürgeyi koruma altlığının (7) üzerine yerleştirin ve buharlı süpürge soğuyuncaya kadar bekleyin. (yaklaşık beş dakika)
- ◆ Buharlı süpürgeğin fişini prizden çekin.
- ◆ Su haznesini boşaltın (3).
- ◆ Temizleme pedini çıkarın (6) ve bir sonraki kullanımda hazır olması için pedi yıkayın. (Temizleme pedinin üzerinde yazan yıkama talimatlarına uymaya özen gösterin.
- ◆ Süpürgeğin kablосunu, kablo sarma askısının etrafına sarın (18 ve 19).

Not: Kablo sarma askısının üstü (19) sonraki kullanımda kabloyu kolayca çıkarmak için döner.

- ◆ Süpürgeğin elektrik kablосunu, kablo sarma aparatının içine (20) fişine yakın yerden sabitleyin.
- ◆ Buharlı süpürgeyi saklama için koruma altlığının (7) üzerine yerleştirin.

Not: Sapı (4) dik konumda, kablосu özenle kablo sarma askısına sarılı (18 ve 19) ve kablo sarma aparatına takılmış haldeki (20) buharlı süpürgezin muhafaza edilmek için uygun durumdadır. Sapın tutma yerinde (10) bulunan asma kolu (21) buharlı süpürgeyi duvardaki uygun bir askıya asmanızı sağlar. Duvar askınızın buharlı süpürgeğin ağırlığını güvenle taşıyabilecek kapasitede olduğundan emin olun.

Bakım ve Temizleme

Black & Decker kablolu cihazınız, asgari bakım yapıldığında uzun bir süre kullanılacak şekilde tasarlanmıştır. Cihazın sürekli tatmin edici şekilde çalışması, cihaza uygun şekilde özen gösterilmesine ve düzenli temizliğe bağlıdır.

Uyarı! Kablolu cihazlarda herhangi bir bakım ve temizleme işleminden önce cihazı kapatın ve cihazın fişini prizden çekin.

- ◆ Cihazınızı yumuşak ve nemli bir bezle silin.
- ◆ İnatçı lekeleri, bezinizi ıslatmak için kullanacağınız sabun ve su karışımıyla temizleyebilirsiniz.

Temizleme pedlerinin bakımı

Yıkama talimatları – Yumuşatıcı kullanmayın – Yeniden kullanılmadan önce tamamen kurumasını bekleyin.

Dikkat! Temizleme pedinin etiketi üzerinde yazan yıkama talimatlarına uymaya özen gösterin.

Priz değişikliği (yalnızca İngiltere ve İrlanda için)

Yeni bir priz takılması gerekirse:

- ◆ Eski prizi güvenli bir şekilde imha edin.
- ◆ Kahverengi ucu, yeni prizdeki canlı uca takın.
- ◆ Mavi ucu, nötr uca takın.
- ◆ Yeşil/sarı ucu, topraklı uca takın.

Uyarı! İyi kalitedeki prizlerle birlikte sağlanan, tesisatla ilgili talimatları izleyin. Önerilen sigorta: 13A.

Çevrenin korunması



Ayrı toplama. Bu ürün, normal evsel atıklarla birlikte atılmamalıdır.

Herhangi bir zamanda Black & Decker ürününüzün değiştirilmesi gerektiğine karar verdiğinizde veya artık ihtiyacınız kalmadığında, cihazı evsel atıklarla birlikte atmayın. Bu ürünü ayrı olarak toplanmak üzere ayırın.



Kullanılmış ürünlerin ve ambalajların ayrı olarak toplanması, malzemelerin geri kazanılmasına ve yeniden kullanılmasına olanak sağlar. Geri kazanılmış malzemelerin yeniden kullanılması, çevre kirliliğini önler ve ham maddelere duyulan gereksinimi azaltır.

Yerel yönetmelikler, elektrikli ürünlerin belediye atık toplama tesislerinde evsel atıklardan ayrılmasına veya yeni ürün satın aldığınızda yetkili satıcı tarafından alınmasına olanak sağlıyor olabilir.

Black & Decker, kullanım ömrünün sonuna ulaşan Black & Decker ürünlerinin toplanması ve geri kazanılması için bir olanak sağlamaktadır. Bu hizmetten yararlanmak için, lütfen ürününüzü sizin adınıza toplayacak herhangi bir yetkili servise iade edin.

Size en yakın yetkili servisin adresi için adresi bu kılavuzun sonunda belirtilmiş olan yer Black & Decker ofisinizle iletişim kurun. Alternatif olarak, yetkili Black & Decker onarım servislerinin listesini ve tüm satış sonrası hizmetlerimizin ve iletişim sorumlularımızın ayrıntılarını şu İnternet adresinde bulabilirsiniz: www.2helpU.com

Teknik veriler

		FSM1600 FSM1600D (Tip 1)	FSM1500 (Tip 1)
Voltaaj	V _{ac}	230	230
Güç	W	1600	1500
Hazne kapasitesi	l	0,5	0,5
Ağırlık	kg	2,52	2,52

Garanti

Black & Decker, ürünlerinin kalitesine güvenmektedir ve üstün bir garanti sunmaktadır. Bu garanti bildirim, yasal haklarınıza ektir ve hiçbir şekilde bu haklarınızı kısıtlamaz. Garanti, Avrupa Birliği Üye Ülkeleri ve Avrupa Serbest Ticaret Bölgesi içerisinde geçerlidir.

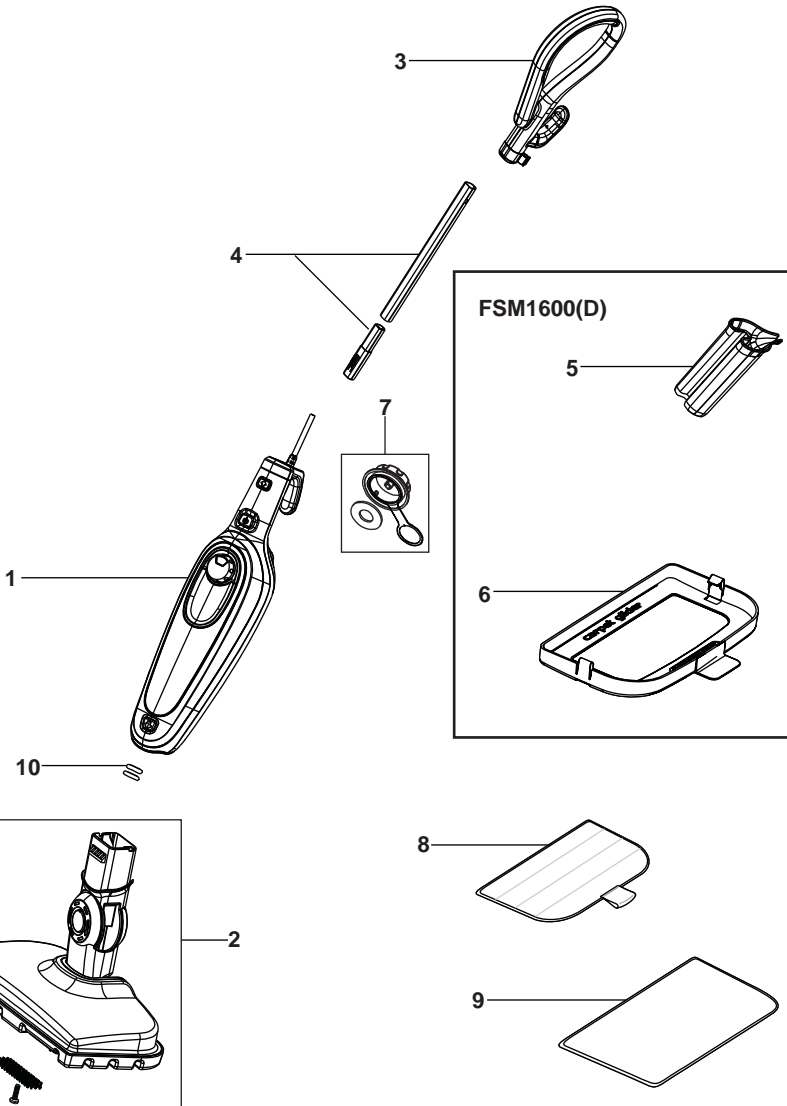
Black & Decker, müşterinin cihazı mümkün olan en sorunsuz şekilde kullanması için, bir Black & Decker ürününün kusurlu işçilik, malzemeler veya uyumsuzluk nedeniyle kusurlu hale gelmesi durumunda, satın alma tarihinden itibaren 24 ay içinde, aşağıdaki durumlar hariç olmak üzere kusurlu parçaları değiştirmeyi, olağan aşınmaya ve eskimeye uğramış ürünleri onarmayı veya söz konusu ürünleri değiştirmeyi garanti eder:

- ◆ Ürünün ticari, profesyonel veya kiralama amaçlarıyla kullanılması.
- ◆ Ürünün hatalı kullanıma veya ihmale maruz kalması;
- ◆ Ürünün yabancı maddeler, nesnelere veya kazalar nedeniyle hasar görmüş olması.
- ◆ Yetkili servisler veya Black & Decker servis personeli dışındaki kişilerin onarım girişiminde bulunması.

Garanti talebinde bulunmak için, yetkili satıcıya veya servise ürünün satın alma belgesini ibraz etmeniz gerekecektir. Size en yakın yetkili servisin adresi için adresi bu kılavuzun sonunda belirtilmiş olan yerel Black & Decker ofisinizle iletişim kurun. Alternatif olarak, yetkili Black & Decker onarım servislerinin listesini ve tüm satış sonrası hizmetlerimizin ve iletişim sorumlularımızın ayrıntılarını şu İnternet adresinde bulabilirsiniz: www.2helpU.com

Yeni Black & Decker ürününüzü kaydetmek ve yeni ürünlere ve hizmetlere ilişkin güncel haberleri takip etmek için lütfen web sitemizi ziyaret edin www.blackanddecker.com.tr. Black & Decker markasına ve ürünlerimize ilişkin ayrıntılı bilgi için www.blackanddecker.com.tr adresini ziyaret edin.

Partial support - Only parts shown available
 Nur die aufgeführten teile sind lieferbar
 Réparation partielle - Seules les pièces indiquées sont disponibles
 Supporto parziale - Sono disponibili soltanto le parti evidenziate
 Solo están disponibles las piezas listadas
 So se encontram disponíveis as peças listadas
 Gedeeltelijke ondersteuning - alleen de getoonde onderdelen zijn beschikbaar



ENGLISH

Do not forget to register your product!

www.blackanddecker.co.uk/productregistration

Register your product online at www.blackanddecker.co.uk/productregistration or send your name, surname and product code to Black & Decker in your country

DEUTSCH

Vergessen Sie nicht, Ihr Produkt registrieren zu lassen!

www.blackanddecker.de/productregistration

Lassen Sie Ihr Produkt unter www.blackanddecker.de/productregistration online registrieren oder schicken Sie Ihren Nachnamen, Vornamen und den Produktcode an Black & Decker in Ihrem Land.

FRANÇAIS

N'oubliez pas d'enregistrer votre produit !

www.blackanddecker.fr/productregistration

Enregistrez votre produit en ligne sur www.blackanddecker.fr/productregistration ou envoyez vos nom, prénom et code produit à Black & Decker dans votre pays.

ITALIANO

Non dimenticate di registrare il prodotto!

www.blackanddecker.it/productregistration

Registrate il prodotto online su www.blackanddecker.it/productregistration o inviate nome, cognome e codice del prodotto al centro Black & Decker del vostro paese.

NEDERLANDS

Vergeet niet uw product te registreren!

www.blackanddecker.nl/productregistration

U kunt uw product online registreren op www.blackanddecker.nl/productregistration of u kunt uw voornaam, achternaam en productcode opsturen naar Black & Decker in uw land.

ESPAÑOL

¡No olvide registrar su producto!

www.blackanddecker.es/productregistration

Registre su producto on-line en www.blackanddecker.es/productregistration o envíe su nombre, apellidos y código de producto a Black & Decker en su país.

PORTUGUÊS

Não se esqueça de registar o seu produto!

www.blackanddecker.pt/productregistration

Registe o seu produto online em www.blackanddecker.pt/productregistration ou envie o seu nome, apelido e código do produto para a Black & Decker no seu país.

SVENSKA

Glöm inte att registrera produkten!

www.blackanddecker.se/productregistration

Registrera produkten online på www.blackanddecker.se/productregistration eller skicka namn och produktkod till Black & Decker i landet du bor i.

NORSK

Ikke glem å registrere produktet ditt!

www.blackanddecker.no/productregistration

Registrer produktet ditt online på www.blackanddecker.no/productregistration, eller send ditt navn, etternavn og produktkode til Black & Decker i ditt eget land.

DANSK

Glem ikke at registrere dit produkt!

www.blackanddecker.dk/productregistration

Registrer dit produkt på internettet på: www.blackanddecker.dk/productregistration eller send dit navn, efternavn og produktkode til Black & Decker i dit eget land.

SUOMI

Muistathan rekisteröidä tuotteesi!

www.blackanddecker.fi/productregistration

Rekisteröi tuotteesi verkossa osoitteessa www.blackanddecker.fi/productregistration tai lähetä etunimesi, sukunimesi ja tuotekoodi oman maasi Black & Decker -edustajalle.

ΕΛΛΗΝΙΚΑ

Μην ξεχάσετε να καταχωρίσετε το προϊόν σας!

www.blackanddecker.gr/productregistration

Καταχωρίστε το προϊόν σας σε σύνδεση στη σελίδα www.blackanddecker.gr/productregistration ή στείλτε το όνομα, επίθετο σας και τον κωδικό πρινωτός στη Black & Decker στη χώρα σας.

TÜRKÇE

Ürününüzü kaydetmeyi unutmayın!

www.blackanddecker.co.uk/productregistration

Ürününüzü online olarak www.blackanddecker.co.uk/productregistration sitesine kaydedin veya adınızı, soyadınızı ve ürününüzün kodunu ülkenizdeki Black & Decker'a gönderin.

België/Belgique	Black & Decker (Belgium) N.V. Nieuwlandlaan 7 I.Z. Aarschot B156 3200 Aarschot	Tel. Fax Tel. Fax	+32 70 220 065 +32 70 225 585 +32 70 220 064 +32 70 222 441
Danmark	Black & Decker Sluseholmen 2-4, 2450 København SV Internet: www.blackanddecker.dk	Tel. Fax	70 20 15 10 70 22 49 10
Deutschland	Black & Decker GmbH Black & Decker Str. 40, D - 65510 Idstein	Tel. Fax	06126 21-0 06126 21-2980
Ελλάδα	Black & Decker (Ελλάς) Α.Ε. Στράβωνος 7 & Λεωφ. Βουλιαγμένης 159 166 74 Γλυφάδα - Αθήνα	Τηλ. Φαξ www.blackanddecker.com	210 8981-616 210 8983-570
España	Black & Decker Ibérica, S.C.A. Parc de Negocis "Mas Blau" Edificio Muntadas, c/Bergadá, 1, Of. A6 08820 El Prat de Llobregat (Barcelona)	Tel. Fax	934 797 400 934 797 419
France	Black & Decker (France) S.A.S. 5 allée des Hêtres B.P. 30084 69579 Limonest Cédex	Tel. Fax	04 72 20 39 20 04 72 20 39 00
Helvetia	ROFO AG Gewerbezone Seeblick 3213 Kleinbödingen	Tel. Fax	026-6749391 026-6749394
Italia	Black & Decker Italia Srl Viale Elvezia 2 20052 Monza (MI)	Tel. Fax Numero verde	039-23871 039-2387592 800-213935
Nederland	Black & Decker Benelux Joulehof 12, 4622 RG Bergen op Zoom	Tel. Fax	+31 164 283 065 +31 164 283 200
Norge	Black&Decker Postboks 4613, Nydalen 0405 Oslo	Tlf. Fax www.blackanddecker.no	45 25 13 00 45 25 08 00
Österreich	Black & Decker Vertriebsges.m.b.H Oberlaaerstraße 248, A-1230 Wien	Tel. Fax	01 66116-0 01 66116-614
Portugal	Black & Decker Centro de Escritórios de Sintra Avenida Almirante Gago Coutinho, 132/134, Edifício 142710-418 Sintra 2710-418 Lisboa	Tel. Fax	214667500 214667580
Suomi	Black & Decker Oy Tekniikantie 12, 02150 Espoo Almirante Gago Coutinho, 132/134, Edifício 142710-418 Sintra 2710-418 Lisboa	Puh. Faksi	010 400 430 0800 411 340
Sverige	Black & Decker AB Box 94, 431 22 Mölndal	Tel. Fax	031-68 60 60 031-68 60 80
Türkiye	KALE Hirdavat ve Makina A.Ş. Defterdar Mah. Savaklar Cad. No:15 Edirnekapı / Eyüp / İstanbul 34050	Tel. Fax	0212 533 52 55 0212 533 10 05
United Kingdom	Black & Decker 210 Bath Road Slough, Berkshire SL1 3YD	Tel. Fax	01753 511234 01753 551155
Middle East & Africa	Black & Decker P.O.Box - 17164 Jebel Ali (South Zone), Dubai, UAE	Tel. Fax	+971 4 8863030 +971 4 8863333

Free Manuals Download Website

<http://myh66.com>

<http://usermanuals.us>

<http://www.somanuals.com>

<http://www.4manuals.cc>

<http://www.manual-lib.com>

<http://www.404manual.com>

<http://www.luxmanual.com>

<http://aubethermostatmanual.com>

Golf course search by state

<http://golfingnear.com>

Email search by domain

<http://emailbydomain.com>

Auto manuals search

<http://auto.somanuals.com>

TV manuals search

<http://tv.somanuals.com>