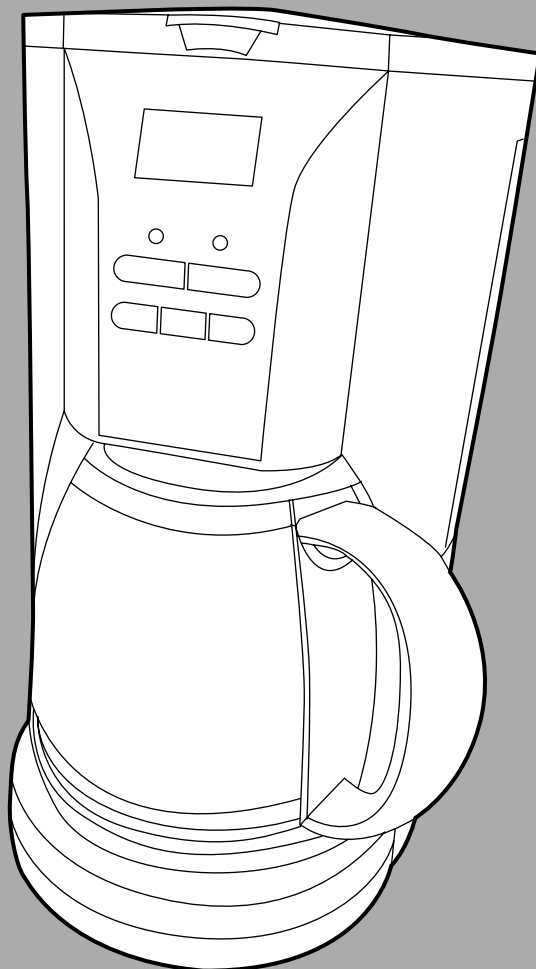




BLACK & DECKER®

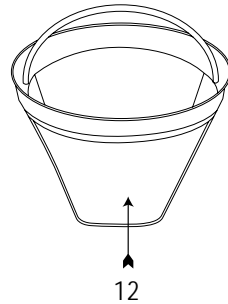
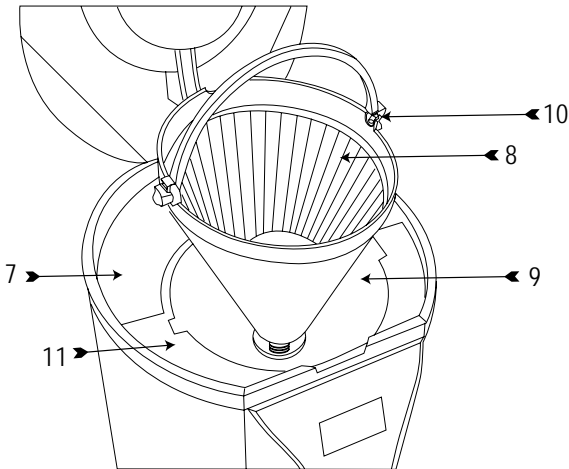
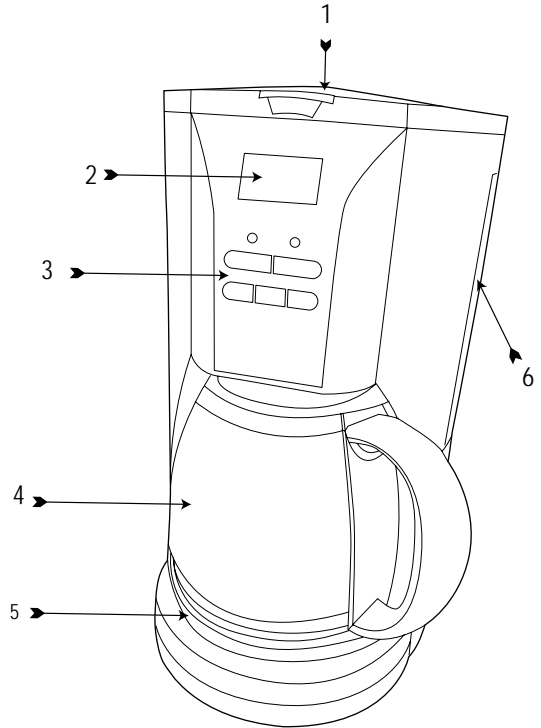


www.blackanddecker.ae

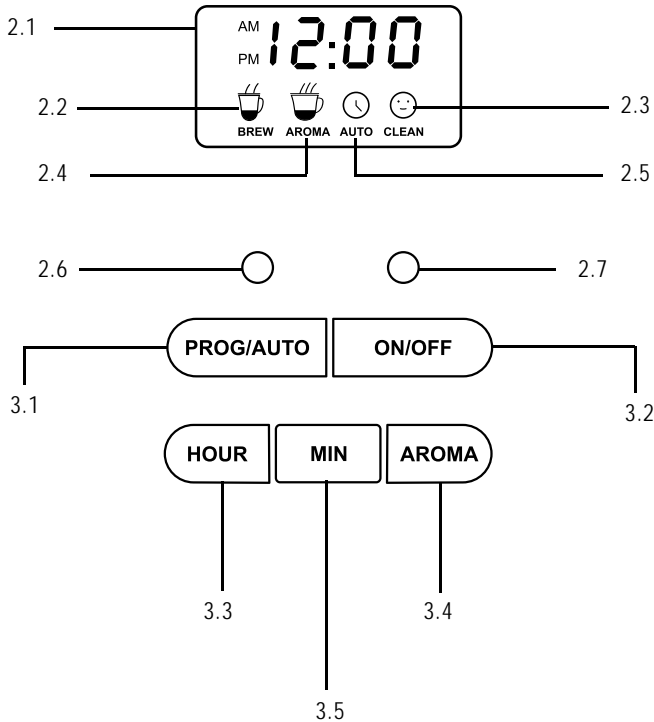
DCM90

Parts Identification

1. Water tank lid
2. Digital display
3. Control panel
4. Carafe
5. Hot plate
6. Water level window
7. Water tank
8. Filter holder
9. Filter holder compartment
10. Pins
11. Bayonet hole
12. Washable filter



Digital Display (2) & Control Panel (3)



Programming Functions

- | | | | |
|-----|------------------------------|-----|---------------------------|
| 2.1 | Display | 2.2 | Brew Icon |
| 2.3 | Clean Icon | 2.4 | Aroma Icon |
| 2.5 | Automatic Coffee Making Icon | 2.6 | Prog/Auto Indicator Light |
| 2.7 | On/Off Indicator Light | 3.1 | Program/Auto button |
| 3.2 | ON/OFF button | 3.3 | Hour button |
| 3.4 | Aroma button | 3.5 | Minute button |

Intended use

Your Black & Decker coffee maker has been designed for making coffee. This product is intended for household use only. Thank you for choosing Black & Decker. We hope that you will enjoy using this product for many years.



Read this entire manual carefully before using the appliance.

Safety instructions

- **Warning!** When using mains-powered appliances, basic safety precautions, including the following, should always be followed to reduce the risk of fire, electric shock and personal injury.
- The intended use is described in this manual. The use of any accessory or attachment or the performance of any operation with this appliance other than those recommended in this instruction manual may present a risk of personal injury.
- Retain this manual for future reference.

Using your appliance

- Always take care when using the appliance.
- Do not use the appliance outdoors.
- Do not operate the appliance if your hands are wet. Do not operate the appliance if you are barefoot.
- Guide the power supply cord neatly so it does not hang over the edge of a worktop and cannot be caught accidentally or tripped over.
- Never pull the power supply cord to disconnect the plug from the socket. Keep the power supply cord away from heat, oil and sharp edges.

- If the power supply cord is damaged during use, disconnect the appliance from the power supply immediately. Do not touch the power supply cord before disconnecting from the power supply.
- Disconnect the appliance from the power supply when not in use and before cleaning.

Safety of others

- This appliance is not intended for use by persons (including children) with reduced physical sensory or mental capabilities, or lack of experience and knowledge, unless they have been given supervision or instruction concerning use of the appliance by a person responsible for their safety.
- Children should be supervised to ensure that they do not play with the appliance.

After use

- Switch off, remove the plug from the socket and let the appliance cool down before leaving it unattended and before changing, cleaning or inspecting any parts of the appliance.
- When not in use, the appliance should be stored in a dry place. Children should not have access to stored appliances.

Inspection and repairs

- Switch off the appliance before cleaning, changing accessories or approaching parts which move in use
- Before use, check the appliance for damaged or defective parts. Check for breakage of parts, damage to switches and any other conditions that may affect its operation.

- Do not use the appliance if any part is damaged or defective.
- Have any damaged or defective parts repaired or replaced by an authorised repair agent.
- Before use, check the power supply cord for signs of damage, ageing and wear.
- Do not use the appliance if the power supply cord or mains plug is damaged or defective.
- If the power supply cord or mains plug is damaged or defective it must be repaired by an authorised repair agent in order to avoid a hazard. Do not cut the power supply cord and do not attempt to repair it yourself.
- Never attempt to remove or replace any parts other than those specified in this manual.
- If the supply cord is damaged, it must be replaced by the manufacturer or an authorised Black & Decker Service Centre in order to avoid a hazard.
- Additional safety instructions for coffee makers

Warning! The lid may become hot during use.

Warning! Steam may escape from the unit.

- Allow the appliance to cool before fitting or removing any parts and before cleaning.
- During use, the carafe and the hotplate can get very hot.
- Do not use the appliance if the carafe shows any sign of cracks.
- Do not immerse the appliance in liquid.

Use

Warning! Never use the appliance without water in the reservoir.

Before first use

- Unpack the coffee maker and remove all packaging, promotional materials and stickers. Remove all printed documents.
- Check that your mains supply is the same as the one indicated on the appliance.
- Position the appliance on a flat, stable work surface, away from the edge and other electrical appliances. Ensure that the coffee maker is not positioned under any cupboards or near any furnishings, wallpaper or similar that could be damaged by hot steam.
- Wash all removable parts of the appliance in warm, soapy water. Rinse and dry thoroughly with a soft cloth. Do not use harsh/abrasive cleaners or place any part of the appliance in the dishwasher.

Electrical safety

Before use, check that the mains voltage corresponds to the voltage on the rating plate.



This product must be earthed. Always check that the mains voltage corresponds to the voltage on the rating plate.

Appliance plugs must match the outlet. Never modify the plug in any way. Do not use any adapter plugs with earthed (Class 1) appliances. Unmodified plugs and matching outlets will reduce the risk of electric shock.

Extension cables & class 1 product

- A 3 core cable must be used as your tool is earthed and of class 1 construction.
- Up to 30m (100 ft) can be used without loss of power.

Warning! Never immerse the main body of the appliance, cord set or plug in water or any other liquid.

- We recommend that you first familiarise yourself with all parts of the appliance before using it for the first time. Do not fill with water or connect to the mains supply when doing this.
- To remove any remaining residue from the manufacturing process, we recommend operating the coffee maker as described in the 'Use' section. This will flush the appliance out. Use water only, do not add coffee.

Note! Ensure that the coffee maker mains cord does not overhang the edge of the worktop.

Note! When the coffee maker is plugged in and operated for the first time, there may be a small amount of smoke and/or odour as the heating elements warm up. This represents no danger or malfunction with the product and should clear after a couple of uses.

Setting the clock

The coffee maker can be started / stopped without setting the clock by pressing the ON/OFF button (3.2).

The clock has to be set for the automatic operation of the coffee maker

- Connect the coffee maker to the mains supply and switch the socket on. The backlight will illuminate blue and the display will start to flash.
- Press and hold the 'PROG/AUTO' button (3.1) for 3 seconds. The 'PROG/AUTO' indicator light will start to flash indicating you are in programming mode. The display will show the current time and automatic coffee making icon (☺_{AUTO})

Note! Programming mode will exit if no button is pressed within 10 seconds. The 'PROG/AUTO' indicator light will go out and no changes will be made.

- Press the 'PROG/AUTO' button (3.1) (twice) until the clock is displayed. The automatic coffee making icon will not be visible .
- Press the 'HOUR' button (3.3) until the correct hour is displayed. The time is set in 12 hour format. (AM is indicated in the upper left hand corner of the clock display and PM in the lower left hand corner).
- Press the 'MIN' button (3.5) until the correct minutes are displayed.
- Press the 'PROG/AUTO' button (3.1) to 'set' the clock. After a short period of time the backlight will automatically go out. The clock is now set.

Adding coffee

- Open the water tank lid (1) and place the filter (12) in the filter holder (8). Add the desired amount of coffee.
- Place the filter holder (8) in filter holder compartment (9). Make sure the pins (10) on the filter holder fit securely into the bayonet holes (11) in the bowl.
- Place the carafe (4) on the hot plate (5) under the filter holder compartment (9).

Adding water

- Using the glass carafe (4), fill the water tank (7) with the desired quantity of COLD water.

Note! Do not fill with less than 4 cups of water or above the MAX mark on the water tank gauge.

- Close the water tank lid (1) and place the empty carafe (4), with the lid closed,

Warning! DO NOT open the water tank lid (1) whilst the coffee maker is on. Hot water may be ejected.

Switching on and off

- To switch the appliance on, press the on/off button (3.2).
- To switch the appliance off, press the on/off button (3.2) again.

Note! Once the brewing process is complete the coffee maker will begin the Keep Warm Time. The 'BREW' icon (☕) will go out and the On/Off indicator light will remain on.

Pressing the 'ON/OFF' button (3.2), when the coffee maker is already on, will cancel the brewing process / keep warm time and will turn the coffee maker off.

Anti-drip function

The appliance is fitted with an anti-drip function, allowing you to remove the carafe at any time, even when coffee is still dripping from the filter bowl.

- Take the carafe (4) from the hotplate (5) and pour the desired amount of coffee.
- Replace the carafe (4) on the hotplate (5) and allow the remainder of the coffee to drip into the carafe (4).

Setting the timer

Warning! Make sure that you have put water in your coffee maker before setting the timer..

- Prepare your coffee by following the instructions for 'Adding coffee' and 'Adding water'.
- Press and hold the 'PROG/AUTO' button (3.1) for 3 seconds. The 'PROG/AUTO' indicator light will start to flash indicating you are in programming mode and the display will show the 'Automatic Coffee Making Icon' (☕_{AUTO})

Note! The last programmed time will be displayed.

- Press the 'Hour' (3.3) and 'Min' (3.5) buttons to select the time you want your coffee maker to automatically start. (AM is indicated in the upper left hand corner of the clock display and PM in the lower left hand corner).
- Press the 'PROG/AUTO' button (3.1) four times to set the timer and to exit programming mode. The pre-set time will be displayed briefly. The PROG/AUTO indicator light will illuminate and the display will show the 'Automatic Coffee Making Icon' (☕_{AUTO}). The coffee maker is now in automatic timer mode.
- When the programmed time is reached your coffee maker will start to brew the coffee.

Note! To turn the timer OFF or ON press the 'PROG/AUTO' button (3.1).

Note! The coffee maker will continue to keep warm until the programmed 'Keep Warm Time' time has elapsed, then the coffee maker will switch itself off.

Setting the keep warm time

- Press and hold the 'PROG/AUTO' button (3.1) for 3 seconds. The 'PROG/AUTO' indicator light will start to flash indicating you are in programming mode. The display will show the current time and automatic coffee making icon (☕_{AUTO})
- Press the 'PROG/AUTO' button (3.1) again.
- Repeatedly press the 'HOUR' button (3.3) until the desired 'Keep Warm Time' has been selected. (1 - 5 hours - default = 2 hours).
- Press the 'PROG/AUTO' button (3.1) twice to exit the programming mode.
- The display will then revert back to the clock.

Aroma Feature

This feature slows the brew cycle slightly to provide a richer flavour if so desired. The aroma feature can only be set when the coffee maker is on or the timer is programmed and set. Press the 'AROMA' button (3.4) to turn the feature on, press it again to turn it off. The display will show the aroma icon.

Clean

The clean icon will be displayed when the coffee maker requires descaling. Follow the instructions outlined in the 'Care and Cleaning' section. The clean icon will be displayed continuously until reset by unplugging the coffee maker from the mains supply. Replace the carafe on the hotplate and allow the remainder of the coffee to drip into the carafe.

LCD backlight setting function

The blue backlight display can be set to be continuously on by pressing the 'HOUR' and 'MIN' buttons together for approximately 5 seconds. To revert to display back to the default setting, press the 'HOUR' and 'MIN' buttons together again for approximately 5 seconds.

Cleaning and maintenance

Warning! Before cleaning and maintenance, switch the appliance off and remove the plug from the socket.

- Using the handles, remove the filter (12) and the filter holder (8) from the filter holder compartment (9). Remove the used coffee grounds from the filter.
- Wash the carafe (4), the filter holder and the filter in hot, soapy water. Dry all parts and refit them.

- Wipe the outside of the appliance with a damp cloth.

Descaling the appliance

If the appliance is used in an area with hard water, it is advised to descale the appliance when from time to time.

- Use a commercial descaling agent for coffee makers, or use water and vinegar as follows:
- Fill the water tank (7) and add 3 teaspoons of vinegar. Operate the appliance as for making coffee until the reservoir is empty.
- Discard the used water and repeat the procedure 2 or 3 times with fresh water.

Technical data

Voltage	220 – 240 Volts (50-60 Hz)
Power	1000W
Weight	2.2kg

Protecting the environment



Separate collection. This product must not be disposed of with normal household waste.

Should you find one day that your Black & Decker product needs replacement, or if it is of no further use to you, do not dispose of it with other household waste. Make this product available for separate collection.

- Black & Decker provides a facility for recycling Black & Decker products once they have reached the end of their working life. This service is provided free of charge. To take advantage of this service please return your product to any authorised repair agent who will collect them on our behalf.
- You can check the location of your nearest authorised repair agent by contacting your local Black & Decker office at the address indicated in this manual. Alternatively, a list of authorized Black & Decker repair agents and full details of our after-sales service and contact are available on the Internet at: www.2helpU.com.

Guarantee

Black & Decker is confident of the quality of its products and offers an outstanding guarantee.

This guarantee statement is in addition to and in no way prejudices your statutory rights.

The guarantee is valid within the territories of the Member States of the European Union and the European Free Trade Area.

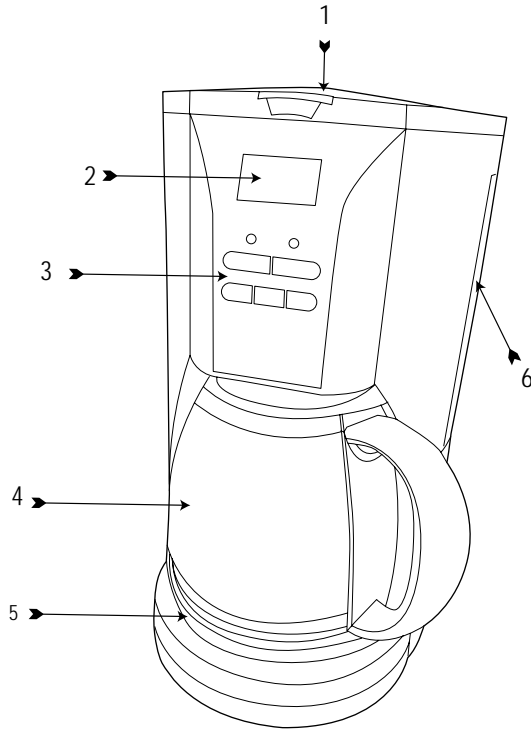
If a Black & Decker product becomes defective due to faulty materials, workmanship or lack of conformity, within 24 months from the date of purchase, Black & Decker guarantees to replace defective parts, repair products subjected to fair wear and tear or replace such products to ensure minimum inconvenience to the customer unless:

- The product has been used for trade, professional or hire purposes;
- The product has been subjected to misuse or neglect;
- The product has sustained damage through foreign objects, substances or accidents;
- Repairs have been attempted by persons other than authorised repair agents or Black & Decker service staff.

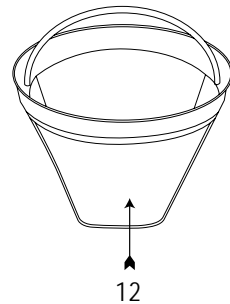
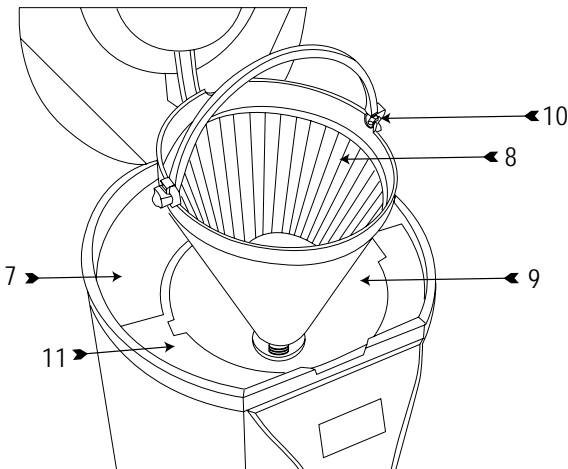
To claim on the guarantee, you will need to submit proof of purchase to the seller or an authorised repair agent. You can check the location of your nearest authorised repair agent by contacting your local Black & Decker office at the address indicated in this manual.

Alternatively, a list of authorised Black & Decker repair agents and full details of our after-sales service and contacts are available on the Internet at: www.2helpU.com.

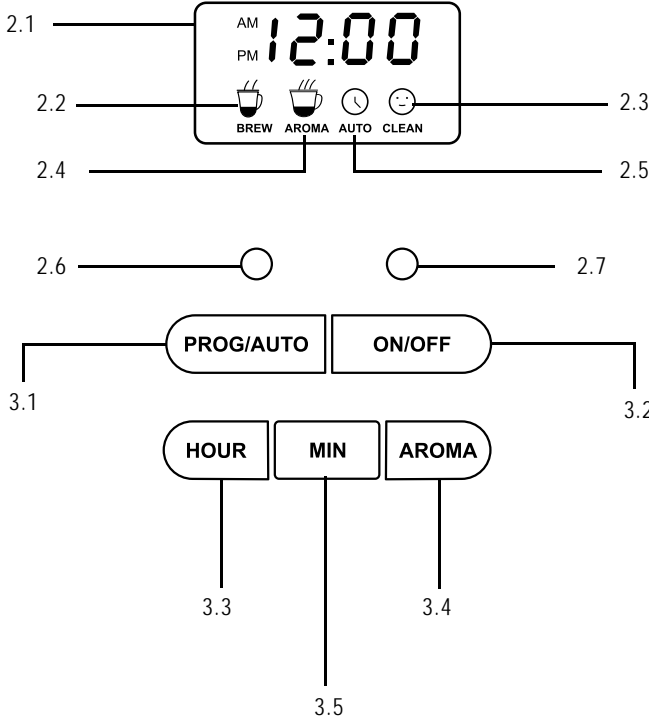
تعريف الأجزاء



1. غطاء خزان المياه
2. شاشة العرض الرقمية
3. لوحة التحكم
4. البإبريق
5. لوحة التسخين
6. نافذة منسوب المياه
7. خزان المياه
8. حامل الفلتر
9. وحدة حامل الفلتر
10. أسنان
11. فتحات مجوفة
12. فلتر قابل للغسل



شاشة العرض الرقمية (2) ولوحة التحكم (3)



وظائف البرمجة

أيقونة إعداد القهوة	2.2	شاشة العرض	2.1
أيقونة النكهة	2.4	أيقونة التنظيف	2.3
مصباح مؤشر البرمجة/التشغيل الآلي	2.6	أيقونة عمل القهوة آلياً	2.5
زر البرمجة/التشغيل الآلي	3.1	مصباح مؤشر التشغيل/إيقاف التشغيل	2.7
زر الساعات	3.3	زر التشغيل/إيقاف التشغيل	3.2
زر الدقائق	3.5	زر النكهة	3.4

غرض الاستخدام

- في حالة تلف سلك التيار الكهربائي أثناء الاستخدام، ينبغي القيام على الفور بفصل الجهاز عن مصدر التيار الكهربائي. وينبغي تجنب لمس سلك التيار الكهربائي قبل فصله عن مصدر التيار الكهربائي.
- افصل الجهاز عن مصدر التيار الكهربائي في حالة عدم الاستخدام وقبل التنظيف.

ماكينة القهوة بلاك آند ديكر مصممة لعمل القهوة. هذا المنتج مصمم للاستخدام المنزلي فقط. شكراً لاختيارك منتج بلاك آند ديكر ونتمنى لك أن تستمتع باستخدام هذا المنتج لسنوات عديدة.

ينبغي قراءة هذا الدليل بعناية قبل استخدام الماكينة.



سلامة الآخرين

- هذا الجهاز غير مصمم لكي يستخدمه أشخاص ذوو قدرات جسدية وذهنية وحسية وعقلية متدنية وخبرة ومعرفة قليلتين (بما في ذلك الأطفال) إلا في ظل الإشراف عليهم أو إعطائهم التعليمات المتعلقة باستخدام الجهاز من قبل الشخص المسؤول عن سلامتهم.
- يلزم الإشراف على الأطفال لضمان عدم عبثهم بالجهاز.

تعليمات السلامة

- تحذيراً عند استخدام الأجهزة الكهربائية، يتعين دائماً مراعاة احتياطات السلامة الأساسية بما في ذلك ما يلي؛ وذلك للحد من احتمالات نشوب حريق أو التعرض لصدمة كهربائية أو إصابة شخصية:
- الغرض من الاستخدام موضح في هذا الدليل. إن استخدام أية ملحقات أو وحدات مرفقة أو تنفيذ أية عملية باستخدام هذا الجهاز غير تلك الموصى بها في هذا الدليل قد ينطوي على خطورة التعرض لإصابة شخصية.
- يرجى الاحتفاظ بهذا الدليل للرجوع إليه مستقبلاً.

بعد الاستخدام

- قم بإيقاف تشغيل الجهاز وانزع القابس من مأخذ الكهرباء واترك الجهاز يبرد قبل تركه دون مراقبة وقبل تغيير أي من أجزاء الجهاز أو تنظيفها أو فحصها.
- في حالة عدم استخدام الجهاز، يجب تخزينه في مكان جاف. ويجب عدم تمكين الأطفال من الوصول إلى الأجهزة المخزنة.

استخدام الجهاز

- كن حذراً دائماً عند استخدام الجهاز.
- لا تستخدم الجهاز في الهواء الطلق.
- لا تشغل الجهاز عندما تكون يداك مبتلتين، ولا تشغله عندما تكون حافي القدمين.
- افرد سلك التيار الكهربائي بدقة بحيث لا يتعلق فوق حواف سطح العمل وبحيث لا يتم التعثر به دون قصد.
- لا تحاول مطلقاً شد سلك التيار الكهربائي لفصل القابس عن المقبس. وينبغي الحفاظ على سلك التيار الكهربائي بعيداً عن الحرارة والزيت والحواف الحادة.

- قم بإيقاف تشغيل الجهاز قبل التنظيف أو تغيير الملحقات أو الاقتراب من الأجزاء التي تتحرك أثناء الاستخدام.
- قبل الاستخدام، افحص الجهاز للتعرف على الأجزاء التالفة أو المعيبة. افحص الجهاز للتأكد من خلوه من الأجزاء المكسورة أو تلف المفاتيح أو أية أوضاع أخرى قد تؤثر على كفاءة تشغيله.

- ينبغي الاستعانة بوكيل صيانة معتمد لإصلاح أية أجزاء تالفة أو معيبة أو استبدالها.
- يتعين قبل الاستخدام فحص سلك التيار الكهربائي للتأكد من خلوه من علامات التلف أو القدم البالغ أو التآكل.
- يجب عدم استخدام الجهاز في حالة تلف سلك التيار الكهربائي أو القابس أو وجود عيب بأي منهما.
- في حالة تلف أو وجود عيب في سلك التيار الكهربائي أو القابس، يجب إصلاحه بواسطة وكيل صيانة معتمد لتجنب المخاطر. لا تقم بقطع سلك التيار الكهربائي ولا تحاول إصلاحه بنفسك.
- لا تحاول مطلقاً إزالة أو استبدال أية أجزاء غير تلك الموضحة في هذا الدليل.
- في حالة تلف سلك التيار الكهربائي أو القابس، يجب إصلاحه بواسطة وكيل صيانة معتمد لتجنب المخاطر. لا تقم بقطع سلك التيار الكهربائي ولا تحاول إصلاحه بنفسك.
- لا تحاول مطلقاً إزالة أو استبدال أية أجزاء غير تلك الموضحة في هذا الدليل.

السلامة الكهربائية

- ينبغي قبل الاستخدام التأكد من توافق جهد مصدر التيار الكهربائي مع الجهد الموضح على لوحة التقنين.



يجب تأريخ هذا المنتج. وينبغي التأكد دائماً من توافق جهد مصدر التيار الكهربائي مع الجهد الموضح على لوحة التقنين.

- قبل الاستخدام لأول مرة
 - قم بإخراج ماكينة القهوة من العبوة وقم بإزالة كافة مواد التغليف والترويج والملصقات. قم بإخراج كافة الوثائق المطبوعة.
 - افحص كبل التوصيل للتأكد من أنه مماثل لكبل التوصيل الموضح على الجهاز.
 - قم بوضع الجهاز على سطح عمل مستوي بعيداً عن الحافة والأجهزة الكهربائية الأخرى. تأكد من عدم وضع ماكينة القهوة تحت أية خزائن أو بالقرب من أية مفروشات أو ورق حائط أو أي أشياء من هذا القبيل يمكن أن تتلف بفعل البخار الساخن.
 - قم بغسل كافة الأجزاء القابلة للإزالة من الجهاز في ماء دافئ مع الصابون، ثم قم بشطفها وتجفيفها تماماً بواسطة قطعة قماش ناعمة. لا تستخدم منظفات كاشطة أو مذيبة ولا تضع أي جزء من الجهاز في غسالة الأطباق.
- يلزم توافق قابس التيار الكهربائي مع مصدر التيار الكهربائي. تجنب مطلقاً تعديل القابس بأية طريقة، ولا تستخدم أية قابس مهائى مع الأجهزة المأرضة (الفئة 1). سوف تؤدي القوابس غير المعدلة ومصادر التيار الكهربائي المتوافقة إلى تقليل خطر التعرض لصدمة كهربائية.
- **كبلات التمديد ومنتجات الفئة "1"**
 - يتعين استخدام كبل ثلاثي الأطراف؛ لأن هذا الجهاز من الأجهزة التي بها تأريخ ومن منتجات الفئة "1".
 - يمكن استخدام كبل تمديد يصل طوله إلى 30 متراً (100 قدم) دون حدوث أي فقدان للطاقة.

ملاحظة! سيتم الخروج من وضعية البرمجة في حالة عدم الضغط على أي زر خلال 10 ثواني. سينطفئ مصباح مؤشر البرمجة/التشغيل الآلي" ولن تحدث أي تغييرات.

- اضغط على زر "البرمجة/التشغيل الآلي" (3-1) (مرتين) حتى يتم عرض الساعة. سوف تختفي أيقونة عمل القهوة آلياً.
- اضغط على زر الساعات "3-3" (HOUR) حتى يتم عرض الساعة الصحيحة. الوقت مضبوط بنظام 12 ساعة. (كلمة "AM" [صباحاً] موضحة في الركن الأيسر العلوي من شاشة الساعة وكلمة "PM" [مساءً] موضحة في الركن الأيسر السفلي).
- اضغط على زر الدقائق "3-5" (MIN) حتى يتم عرض الدقائق الصحيحة.
- اضغط على زر "البرمجة/التشغيل الآلي" (3-1) "لضبط" الساعة. بعد مدة قصيرة من الوقت سينطفئ المصباح الخلفي آلياً. لقد تم الآن ضبط الساعة.

إضافة القهوة

- افتح غطاء خزان المياه (1) وضع الفلتر (12) في حامل الفلتر (8). أضف الكمية المطلوبة من القهوة.
- ضع حامل الفلتر (8) في وحدة حامل الفلتر (9). تأكد من إحكام تثبيت الأسنان (10) الموجودة على حامل الفلتر في الفتحات المجوفة (11) الموجودة في الإناء.
- ضع الإبريق (4) على لوحة التسخين (5) أسفل وحدة حامل الفلتر (9).

إضافة الماء

- باستخدام الإبريق الزجاجي (4)، قم بملء خزان المياه (7) بالكمية المطلوبة من الماء البارد.
- ملاحظة! لا تملأ خزان المياه بأقل من 4 أكواب من الماء أو أكثر من علامة الحد الأقصى "MAX" الموجودة على مقياس خزان المياه.
- أغلق غطاء خزان المياه (1) وقم بوضع الإبريق الفارغ (4)، مع إغلاق الغطاء.
- تحذير! لا تفتح غطاء خزان المياه (1) أثناء تشغيل ماكينة القهوة؛ حيث يُحتمل خروج الماء الساخن.

تحذير! لا تقم مطلقاً بغمس الهيكل الرئيسي من الجهاز أو سلك التيار الكهربائي أو القابس في الماء أو في أي سائل آخر.

- نوصي بالتعرف أولاً على كافة أجزاء الجهاز قبل استخدامه لأول مرة. لا تملأ الجهاز بالماء ولا تقم بتوصيله بمصدر التيار الكهربائي أثناء فعل ذلك.
- لإزالة أية فضلات متبقية من عملية صنع، ننصح بتشغيل ماكينة القهوة وفق الموضح في قسم "الاستخدام". سوف يعمل ذلك على غسل الجهاز والتخلص من الفضلات. قم باستخدام الماء فقط، ولا تصف القهوة.
- ملاحظة! تأكد من أن سلك ماكينة القهوة غير متدلي على حافة سطح العمل.

ملاحظة! عند توصيل ماكينة القهوة بالتيار الكهربائي وتشغيله للمرة الأولى، يُحتمل تصاعد كمية قليلة من الدخان و/ أو رائحة وذلك بسبب تسخين وحدات التسخين. لا يمثل ذلك أي خطر أو عيب تصنيع في المنتج، وسوف يختفي ذلك بعد مرتين من استخدام الجهاز.


ضبط الساعة

يمكن تشغيل/إيقاف ماكينة القهوة دون ضبط الساعة عن طريق الضغط على زر التشغيل/الإيقاف (2-3).

ينبغي ضبط الساعة لأجل التشغيل الآلي لماكينة القهوة.

- وصل ماكينة القهوة بمصدر التيار الكهربائي وشغل المقبس. سوف يضيء المصباح الخلفي إضاءة زرقاء، وستبدأ شاشة العرض في إصدار وميض.
- اضغط باستمرار على زر البرمجة/التشغيل الآلي "3-1" (PROG/AUTO) لمدة 3 ثوان. سيبدأ مصباح مؤشر "البرمجة/التشغيل الآلي" في إصدار وميض مشيراً إلى أنك في وضعية البرمجة. سوف تعرض شاشة العرض الوقت الحالي وأيقونة عمل القهوة آلياً (☺_{auto}).

التشغيل والإيقاف

- اضغط على زرّي "الساعات" (3-3) و"الدقائق" (3-5) لاختيار الوقت الذي تريد أن تبدأ فيه ماكينة القهوة العمل ألياً. (كلمة "AM" [صباحاً] موضحة في الركن الأيسر العلوي من شاشة الساعة وكلمة "PM" [مساءً] موضحة في الركن الأيسر السفلي).
- اضغط على زر "البرمجة/التشغيل الآلي" (3-1) أربعة مرات لضبط المؤقت وللخروج من وضعية البرمجة. سيتم عرض الوقت المضبوط مسبقاً خلال فترة وجيزة. سيضيء مصباح مؤشّر "البرمجة/التشغيل الآلي"  وسوف تعرض شاشة العرض أيقونة عمل القهوة ألياً. ماكينة القهوة هي الآن في وضعية المؤقت الآلي.
- عند الوصول إلى الوقت المبرمج ستبدأ الماكينة في إعداد القهوة.

ملاحظة! لإيقاف أو تشغيل المؤقت، اضغط على زر "البرمجة/التشغيل الآلي" (3-1).


ملاحظة! ستواصل ماكينة القهوة احتفاظها بالسخونة حتى انتهاء وقت "فترة الحفاظ على السخونة" المبرمج، وبعد ذلك ستوقف ماكينة القهوة ألياً.

ضبط فترة الحفاظ على السخونة

- اضغط مع الاستمرار على زر "البرمجة/التشغيل الآلي" (3-1) لمدة 3 ثواني. سيبدأ مصباح مؤشّر "البرمجة/التشغيل الآلي" في إصدار وميض يشير إلى أنك في وضعية البرمجة. سوف تعرض شاشة العرض الوقت الحالي وأيقونة عمل القهوة ألياً .
- اضغط على زر "البرمجة/التشغيل الآلي" (3-1) مرة أخرى.
- اضغط على زر "الساعات" (3-1) عدة مرات حتى يتم اختيار "فترة الحفاظ على السخونة" المطلوبة. (1 - 5 ساعات - الافتراضي = ساعتان).
- اضغط على زر "البرمجة/التشغيل الآلي" (3-1) مرتين للخروج من وضعية البرمجة.
- ستعود شاشة العرض بعد ذلك إلى عرض الساعة.

• لتشغيل الجهاز، اضغط على زر التشغيل/الإيقاف (3-2).

• لإيقاف تشغيل الجهاز، اضغط على زر التشغيل/الإيقاف (3-2) مرة أخرى.

ملاحظة! عند اكتمال عملية إعداد القهوة ستبدأ ماكينة القهوة فترة الحفاظ على السخونة. سوف تختفي أيقونة "إعداد القهوة"  ، وسيبقى مصباح مؤشّر التشغيل/الإيقاف مضاءً.


الضغط على زر التشغيل/الإيقاف (3-2) عندما تكون ماكينة القهوة قيد التشغيل بالفعل ستلغي عملية إعداد القهوة/فترة الحفاظ على السخونة، وسوف تؤدي إلى إيقاف ماكينة القهوة.

وظيفة منع التقطّر

الجهاز مزود بوظيفة منع التقطّر التي تسمح بإزالة الإبريق في أي وقت، حتى أثناء استمرار تقطّر القهوة وعاء الفلتر.

- اسحب الإبريق (4) عن لوحة التسخين (5) واسكب الكمية المطلوبة من القهوة.
- أعد الإبريق (4) إلى لوحة التسخين (5) واترك باقي القهوة يتقطّر في الإبريق (4).

ضبط المؤقت

- تحذيراً: تأكد من وضع المياه في ماكينة القهوة قبل ضبط المؤقت.
- قم بإعداد قهوتك باتباع التعليمات التي تخص "إضافة القهوة" و "إضافة الماء".
- اضغط مع الاستمرار على زر "البرمجة/التشغيل الآلي" (3-1) لمدة 3 ثواني. سيبدأ مصباح مؤشّر "البرمجة/التشغيل الآلي" في إصدار وميض يشير إلى أنك في وضعية البرمجة. سوف تعرض شاشة العرض وضعية البرمجة وأيقونة عمل القهوة ألياً .
- ستعود شاشة العرض آخر وقت مبرمج.

- اغسل الإبريق (4) وحامل الفلتر والفلتر في ماء دافئ مع الصابون. قم بتجفيف كافة الأجزاء وأعد تركيبها.
- امسح السطح الخارجي من الجهاز بقطعة قماش مبللة.

إزالة الترسبات من الجهاز

- في حالة استخدام الجهاز في منطقة بها ماء عسر، يُنصح بإزالة الترسبات من الجهاز من حين لآخر.
- استخدم مزيل ترسبات تجاري مخصص لأجهزة ماكينة القهوة، أو استخدم المياه والخل كما يلي:
- قم بتعبئة خزان المياه (7) وأضف ثلاث ملاعق صغيرة من الخل. قم بتشغيل الجهاز مثلما تقوم بتشغيله لعمل القهوة حتى يصبح الخزان فارغاً.
- قم بسكب المياه المستخدمة وكرر هذه العملية مرتين أو ثلاث مرات مستخدماً مياه نقية.

البيانات الفنية

الجهد	220-240 فولت (50-60 هرتز)
الطاقة الكهربائية	1000 وات
الوزن	2.2

خاصية النكهة

تؤدي هذه الخاصية إلى إبطاء دورة إعداد القهوة قليلاً لإعطاء نكهة أقوى إذا كان ذلك مرغوباً. لا يمكن ضبط خاصية النكهة إلا أثناء تشغيل ماكينة القهوة، أو إذا كان المؤقت مبرمجاً ومضبوطاً. اضغط على زر النكهة "AROMA" (3-4) لتشغيل هذه الخاصية، واضغط عليه مرة أخرى لإيقافها. سوف تعرض شاشة العرض أيقونة النكهة.

التنظيف

سيتم عرض أيقونة التنظيف عندما تتطلب ماكينة القهوة إزالة الترسبات منها. اتبع التعليمات الموضحة في قسم "العناية والتنظيف". سيتم عرض أيقونة التنظيف باستمرار حتى إعادة الضبط عن طريق فصل ماكينة القهوة عن مصدر التيار الكهربائي. قم بإعادة وضع الإبريق على لوحة التسخين واركب باقي القهوة تتقطر في الإبريق.

وظيفة ضبط الضوء الخلفي لشاشة LCD

يمكن ضبط الضوء الخلفي الأزرق لشاشة العرض ليتم تشغيله باستمرار وذلك عن طريق الضغط على زر "الساعات" و "الدقائق" معاً لمدة 5 ثواني تقريباً. وللعودة بشاشة العرض إلى الوضع الافتراضي، اضغط على زر "الساعات" و "الدقائق" معاً مرة أخرى لمدة 5 ثواني تقريباً.

التنظيف والصيانة

تحذيراً! قبل التنظيف والصيانة، قم بإيقاف تشغيل الجهاز وإزالة القابس من المقبس.

- باستخدام المقابض قم بإزالة الفلتر (12) وحامل الفلتر (8) من وحدة حامل الفلتر (9). قم بإزالة رواسب القهوة المستخدمة من الفلتر.

حماية البيئة



الجمع المنفصل. يلزم عدم التخلص من هذا المنتج مع القمامة المنزلية العادية.

إذا لزم في يوم من الأيام استبدال منتج بلاك أند ديكر الخاص بك، أو إذا لم تعد تستخدمه، فلا تتخلص منه مع القمامة المنزلية الأخرى، بل تأكد من إتاحة هذا المنتج للجمع المنفصل.

• توفر شركة بلاك أند ديكر مرفق لإعادة تدوير منتجات بلاك أند ديكر بمجرد وصولها إلى نهاية عمرها وعدم صلاحيتها للعمل. ويتم تقديم هذه الخدمة مجاناً. للاستفادة من هذه الخدمة، يرجى إعادة المنتج إلى أي وكيل صيانة معتمد والذي سوف يتولى بدوره جمع المنتجات نيابة عنا.

• يمكنك التعرف على موقع أقرب وكيل صيانة معتمد من خلال الاتصال على مكتب بلاك أند ديكر المحلي في العنوان الموضح في هذا الدليل. وبدلاً من ذلك، توجد قائمة بوكلاء الصيانة المعتمدين التابعين لشركة بلاك أند ديكر والتفاصيل الكاملة لخدمات ما بعد البيع ووسائل الاتصال الخاصة بنا على الإنترنت على الموقع الإلكتروني: www.2helpU.com.

لضمان

تثق بلاك أند ديكر في جودة منتجاتها وتعرض ضماناً طويلاً الأجل.

بيان الضمان هذا يكون بالإضافة إلى حقوقك التي يمنحها القانون ولا يخل بها بأي حال من الأحوال.

يسري الضمان في أقاليم الدول الأعضاء في الاتحاد الأوروبي ومنطقة التجارة الحرة الأوروبية.

في حالة وجود خلل في منتج بلاك أند ديكر بسبب عيب في المواد أو الصناعة أو عدم التوافق مع المعايير، خلال 24 شهراً من تاريخ الشراء، تضمن بلاك أند ديكر استبدال الأجزاء المعيبة وإصلاح المنتجات مع مراعاة التآكل والبلى الطبيعي أو استبدال هذه المنتجات لضمان أقل إزعاج للعميل ما لم:

◀ يتم استخدام المنتج في أغراض تجارية أو مهنية أو أغراض تأجير؛

◀ يتعرض المنتج لسوء الاستخدام أو الإهمال؛

◀ يتعرض المنتج للتلف نتيجة أشياء أو مواد غريبة أو حوادث؛

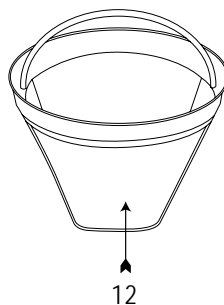
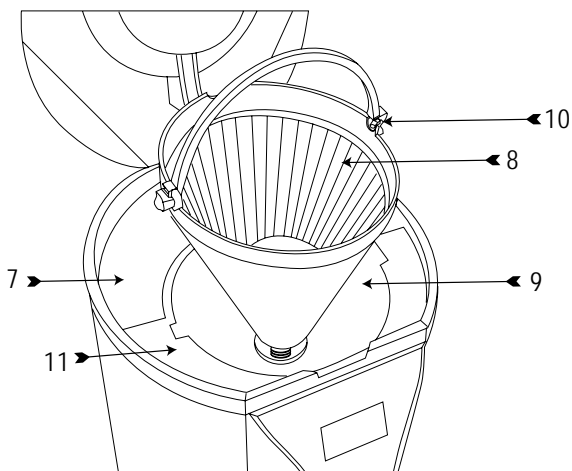
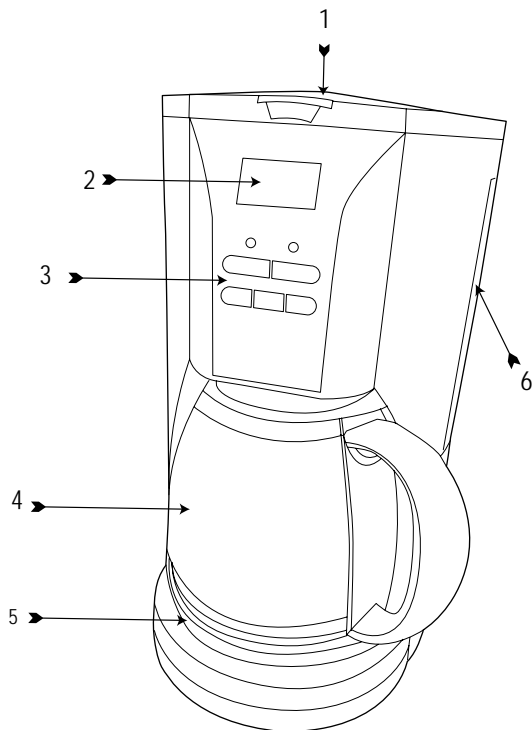
◀ يتم محاولة إصلاح المنتج بواسطة أشخاص غير وكلاء الصيانة المعتمدين أو فريق الصيانة التابع لشركة بلاك أند ديكر.

لتقديم مطالبة بموجب الضمان، سوف تحتاج إلى تقديم دليل الشراء للبائع أو وكيل الصيانة المعتمد. ويمكنك التعرف على موقع أقرب وكيل صيانة معتمد من خلال الاتصال على مكتب بلاك أند ديكر المحلي في العنوان الموضح في هذا الدليل.

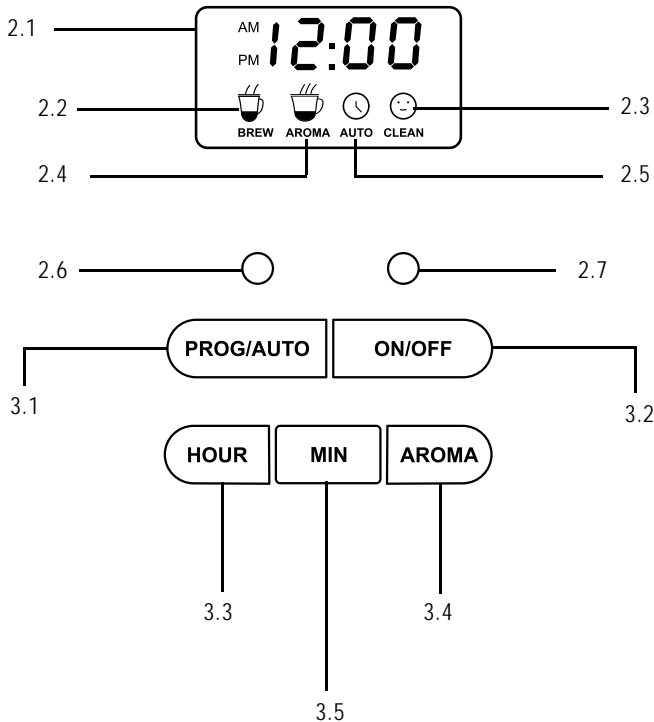
وبدلاً من ذلك، توجد قائمة بوكلاء الصيانة المعتمدين التابعين لشركة بلاك أند ديكر والتفاصيل الكاملة لخدمات ما بعد البيع ووسائل الاتصال الخاصة بنا على الإنترنت على الموقع الإلكتروني: www.2helpU.com.

Identification des pièces

1. couvercle du réservoir d'eau
2. Afficheur numérique
3. Tableau de commande
4. Carafe
5. Plaque chauffante
6. Fenêtre graduée du réservoir d'eau
7. Réservoir d'eau
8. Porte-filtre
9. Compartiment du porte-filtre
10. Broches
11. Trou à baïonnette
12. Filtre lavable



Afficheur numérique (2) & Tableau de commande (3)



Fonctions de programmation

- | | | | |
|-----|--------------------------------------|-----|--------------------------------------|
| 2.1 | Afficheur | 2.2 | Icône d'infusion |
| 2.3 | Icône de nettoyage | 2.4 | Icône d'arôme |
| 2.5 | Icône d'infusion automatique du café | 2.6 | Voyant Prog/Auto |
| 2.7 | Voyant On/Off | 3.1 | Bouton d'infusion automatique (Auto) |
| 3.2 | Bouton ON/OFF | 3.3 | Bouton de réglage des heures |
| 3.4 | Bouton arôme | 3.5 | Bouton de réglage des minutes |

Utilisation

Votre cafetière Black & Decker est conçue pour infuser du café. Cet appareil est exclusivement prévu pour une utilisation domestique. Nous tenons à vous remercier d'avoir choisi Black & Decker. Nous espérons que vous prendrez plaisir à utiliser cet appareil pendant de nombreuses années.



Lisez ce manuel attentivement avant d'utiliser l'appareil.

Consignes de sécurité

- Avertissement! Lorsqu'on utilise un appareil électrique, des précautions de base, y compris les suivantes, doivent toujours être suivies afin de réduire les risques d'incendie, de choc électrique ou de blessures corporelles.
- L'utilisation prévue est décrite dans ce manuel. L'utilisation d'un accessoire ou d'une pièce, ou l'exécution de toute opération avec cet appareil autres que celles recommandées dans ce manuel peut présenter un risque de blessures corporelles.
- Conservez ce mode d'emploi pour le consulter ultérieurement.

Utilisation de votre appareil

- Toujours prendre des précautions lors de l'utilisation de l'appareil.
- Ne pas utiliser l'appareil à l'extérieur.
- Ne pas faire fonctionner l'appareil si vos mains sont humides. Ne pas faire fonctionner l'appareil si vous êtes pieds nus.
- Placez soigneusement le cordon d'alimentation et veillez à ce qu'il ne pende pas du plan de travail pour éviter de le prendre ou de trébucher dessus par mégarde.

- Ne jamais tirer sur le cordon d'alimentation pour débrancher la fiche de la prise. Le cordon d'alimentation ne doit jamais être à proximité d'une source de chaleur, de graisse ou d'angles vifs.
- Si le cordon d'alimentation est endommagé lors de l'utilisation, débranchez l'appareil immédiatement. Ne touchez pas le cordon d'alimentation avant d'avoir débranché l'alimentation électrique.
- Débranchez l'appareil de l'alimentation électrique lorsqu'il n'est pas utilisé ou avant de le nettoyer.

Sécurité d'autrui

- Cet appareil n'est pas destiné à être utilisé par des personnes (y compris des enfants) ayant des capacités physiques, sensorielles ou mentales réduites, ou ayant un manque d'expérience et de connaissances, à moins qu'elles n'aient été formées et encadrées sur l'utilisation de l'appareil par une personne responsable de leur sécurité.
- Les enfants doivent être surveillés pour s'assurer qu'ils ne jouent pas avec l'appareil.

Après utilisation

- Eteindre, puis retirer la fiche de la prise et laissez l'appareil refroidir avant de le laisser sans surveillance et avant de changer, nettoyer ou inspecter une pièce de l'appareil.
- Lorsqu'il n'est pas utilisé, l'appareil doit être rangé dans un endroit sec. Les enfants ne doivent pas avoir accès aux appareils rangés.

Inspection et réparations

- Eteindre l'appareil avant de le nettoyer, de changer les accessoires ou d'approcher les pièces en mouvement lors de son fonctionnement.
- Avant d'utiliser l'appareil, vérifier qu'aucune pièce ne soit endommagée ou défectueuse. Vérifier la présence de pièces cassées, d'interrupteurs endommagés ou toute autre condition qui pourraient affecter son fonctionnement.

- Ne pas utiliser l'appareil si une pièce est endommagée ou défectueuse.
- Faites réparer ou remplacer les pièces endommagées ou défectueuses par un réparateur agréé.
- Avant utilisation, vérifier l'état du cordon d'alimentation et voir s'il présente des signes de dommages, de vieillissement ou d'usure.
- Ne pas utiliser l'appareil si le cordon d'alimentation ou la fiche secteur est endommagée ou défectueuse.
- Si le cordon d'alimentation ou la fiche secteur est endommagée ou défectueuse, il doit être réparé par un réparateur agréé afin d'éviter tout danger. Ne pas couper le cordon d'alimentation et ne pas tenter de le réparer vous-mêmes.
- N'essayez jamais de retirer ou de remplacer une pièce autre que celles spécifiées dans ce manuel.

Sécurité électrique

Avant utilisation, vérifiez que la tension électrique correspond à celle indiquée sur l'étiquette signalétique.



Cet appareil doit être mis à la terre. Toujours vérifier que la tension électrique correspond à la tension mentionnée sur la plaque signalétique.

La fiche de l'appareil doit correspondre à la prise. Ne jamais modifier la fiche de quelque façon que ce soit. Ne pas utiliser d'adaptateurs avec des appareils de type mis à la terre (Classe 1). Des fiches non modifiées et les prises correspondantes réduisent les risques de choc électrique.

Rallonges & appareils de classe 1

- Un cordon à 3 fils doit être utilisé car votre appareil est mis à la terre et de fabrication classe 1.
- Une longueur de 30 m (100 pieds) peut être utilisée sans perte de puissance.

- Si le cordon d'alimentation est endommagé, il doit être remplacé par le fabricant ou un distributeur agréé Black & Decker afin d'éviter tout danger.
- Instructions de sécurité supplémentaires pour cafetières.

Avertissement! Le couvercle peut devenir brûlant pendant le fonctionnement.

Avertissement! De la vapeur peut s'échapper de l'appareil.

- Laisser l'appareil refroidir avant de monter ou démonter des pièces et avant de le nettoyer.
- Pendant le fonctionnement, la carafe et la plaque chauffante peuvent devenir très chaudes.
- Ne pas utiliser l'appareil si le verre de la carafe est fêlé.
- Ne pas immerger l'appareil dans un liquide.

Utilisation

Avertissement! Ne jamais utiliser l'appareil sans eau dans le réservoir.

Avant la première utilisation

- Déballez la cafetière et retirez tous les matériaux d'emballages et promotionnels et les étiquettes. Retirez toute la documentation.
- Vérifiez que votre alimentation électrique est la même que celle indiquée sur l'appareil.
- Positionner l'appareil sur une surface de travail plate et stable, loin des bords et d'autres appareils électriques. Assurez-vous que la cafetière ne soit pas placée sous un placard ou près de tissu d'ameublement, de papier peint ou similaire qui pourraient être endommagés par de la vapeur chaude.
- Laver toutes les pièces amovibles de l'appareil à l'eau chaude savonneuse. Rincer et essuyer soigneusement avec un chiffon doux. Ne pas utiliser de produits nettoyants durs/abrasifs ou placer toute partie de l'appareil dans le lave-vaisselle.

Avertissement! Ne jamais immerger le corps principal de l'appareil, le cordon ou la fiche dans de l'eau ou tout autre liquide.

- Nous vous recommandons de vous familiariser avec toutes les parties de l'appareil avant de l'utiliser pour la première fois. A cette occasion, ne pas remplir d'eau ni mettre sous tension.
- Pour enlever tout résidu de fabrication, nous vous recommandons de faire fonctionner la cafetière comme décrit dans la section 'utilisation'. Ceci permettra de nettoyer l'appareil, Utiliser seulement de l'eau et pas de café.

Remarque! Assurez-vous que le cordon de la cafetière ne pende pas du plan de travail.

Remarque! Lorsque la cafetière est branchée et fonctionne pour la première fois, il peut y avoir une petite quantité de fumée et / ou une odeur pendant que les éléments de chauffe deviennent chauds. Cela ne représente aucun danger ou un mauvais fonctionnement de l'appareil, et cet effet s'arrêtera après une ou deux utilisations.

Réglage de l'horloge

La cafetière peut être mise en marche / arrêtée sans régler l'horloge, en pressant le bouton ON/OFF (3.2).

L'horloge doit être réglée pour le fonctionnement automatique de la cafetière.

- Branchez la cafetière à l'alimentation électrique et appuyez sur le commutateur de mise en marche. Le rétro-éclairage bleu s'allume et l'afficheur se met à clignoter.
- Pressez le bouton 'PROG/AUTO' (3.1) et le maintenir enfoncé pendant 3 secondes. Le voyant 'PROG/AUTO' se met à clignoter indiquant que vous êtes en mode de programmation. L'afficheur montre l'heure actuelle et l'icône d'infusion automatique du café (☉_{AUTO}).

Remarque! Le mode de programmation s'éteint si aucun bouton n'est pressé dans les 10 secondes. Le voyant 'PROG/AUTO' s'éteindra et aucune modification ne sera prise en compte.

- Pressez le bouton 'PROG/AUTO' (3.1) (deux fois) jusqu'à l'affichage de l'horloge. L'icône d'infusion automatique du café ne sera pas visible.
- Pressez le bouton 'HEURE' (3.3) jusqu'à l'affichage exact de l'heure. L'heure est réglée au format 12 heures. (AM est indiqué dans le coin supérieur gauche de l'affichage de l'horloge et PM dans le coin inférieur gauche).
- Pressez le bouton 'MIN' (3.5) jusqu'à l'affichage exact des minutes.
- Pressez le bouton 'PROG/AUTO' (3.1) pour 'régler' l'horloge. Après un court laps de temps, le rétro-éclairage s'éteindra automatiquement. L'horloge est maintenant réglée.

Ajout du café

- Ouvrez le couvercle du réservoir d'eau (1) et placez le filtre (12) dans le porte-filtre (8). Ajoutez la quantité de café voulue.
- Placez le porte-filtre (8) dans le compartiment du porte-filtre (9). Assurez-vous que les broches (10) du porte-filtre sont bien ajustées dans les trous à baïonnette (11) dans la cuve.
- Placez la carafe (4) sur la plaque chauffante (5) sous le compartiment du porte-filtre (9).

Ajout de l'eau

- A l'aide de la carafe en verre (4), remplir le réservoir d'eau (7) de la quantité voulue d'eau FROIDE.


Remarque! Ne pas remplir moins de 4 tasses d'eau ou au-dessus de la marque MAX de la jauge du réservoir d'eau.

- Fermer le couvercle du réservoir d'eau (1) et placer la carafe vide (4), avec le couvercle fermé.

Avertissement! NE PAS ouvrir le couvercle du réservoir d'eau (1) pendant que la cafetière est allumée. De l'eau chaude peut être projetée.

Allumer et éteindre

- Pour allumer l'appareil, appuyez sur le bouton marche/arrêt (on/off) (3.2).
- Pour éteindre l'appareil, appuyez de nouveau sur le bouton marche/arrêt (on/off) (3.2).

Remarque! Une fois l'infusion terminée, la cafetière va commencer le cycle de Garder au Chaud. L'icône 'BREW' (infusion)  s'éteint et le voyant On/Off reste allumé.

Le fait d'appuyer sur le bouton 'ON/OFF' (3.2), quand la cafetière est déjà allumée, annulera l'infusion en cours / le cycle de garder au chaud et éteindra la cafetière.


Fonction anti-goutte

L'appareil est équipé d'une fonction anti-goutte, vous permettant de retirer la carafe à tout moment, même lorsque le café est toujours en train de couler de la cuve du filtre.

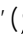
- Prendre la carafe (4) de la plaque chauffante (5) et verser la quantité voulue de café.
- Replacer la carafe (4) sur la plaque chauffante (5) et laisser le reste du café couler au goutte à goutte dans la carafe (4).

Réglage de la minuterie

Avertissement! Assurez-vous d'avoir mis de l'eau dans la cafetière avant de régler la minuterie.

- Préparez votre café en suivant les instructions pour 'Ajout de café' et 'Ajout de l'eau'.
- Appuyez sur le bouton 'PROG/AUTO' (3.1) et le maintenir enfoncé pendant 3 secondes. Le voyant 'PROG/AUTO' va se mettre à clignoter indiquant que vous êtes en mode de programmation et l'afficheur montre l'icône 'Infusion Automatique du café' ()


Remarque! L'heure du dernier programme sera affiché.

- Appuyez sur les boutons 'Heure' (3.3) et 'Min' (3.5) pour sélectionner l'heure à laquelle vous voulez que la cafetière se mette en route automatiquement. (AM est indiqué dans le coin supérieur gauche de l'affichage de l'horloge et PM dans le coin inférieur gauche).
- Appuyez sur le bouton 'PROG/AUTO' (3.1) à quatre reprises pour régler la minuterie et sortir du mode de programmation. L'heure préréglée s'affichera pendant un cours instant. Le voyant PROG/AUTO' s'allume et l'écran affiche l'icône 'd'Infusion automatique du café' (). La cafetière est maintenant en mode de minuterie automatique.
- Lorsque l'heure programmée est atteinte, votre cafetière commencera à infuser le café.

Remarque! Pour éteindre (OFF) ou allumer (ON) la minuterie appuyez sur le bouton 'PROG/AUTO' (3.1).

Remarque! La cafetière continue à garder au chaud jusqu'au moment où le temps de 'Garder au chaud' est écoulé, puis la cafetière s'éteint toute seule.

Réglage du temps de garder au chaud

- Appuyez sur le bouton 'PROG/AUTO' (3.1) et le maintenir enfoncé pendant 3 secondes. Le voyant 'PROG/AUTO' va se mettre à clignoter indiquant que vous êtes en mode de programmation. L'écran affiche l'heure actuelle et l'icône d'infusion automatique du café ()
- Appuyez de nouveau sur le bouton 'PROG/AUTO' (3.1).
- Appuyez plusieurs fois sur le bouton 'HEURE' (3.3) jusqu'à la sélection du 'Temps pour garder au chaud' voulue. (1 à 5 heures – par défaut = 2 heures).
- Appuyez sur le bouton 'PROG/AUTO' (3.1) à deux reprises pour quitter le mode de programmation.
- L'écran reviendra à l'affichage de l'horloge.

Fonction Arôme

Cette fonction ralenti légèrement le cycle d'infusion pour donner une saveur plus riche si on le désire. La fonction arôme peut être activée seulement lorsque la cafetière est allumée ou lorsque la minuterie est programmée et réglée. Appuyez sur le bouton 'AROMA' (3.4) pour activer la fonction, appuyez à nouveau pour l'éteindre. L'écran affiche l'icône d'arôme.

Nettoyage

L'icône de nettoyage sera affichée lorsque la cafetière nécessite un détartrage. Suivre les instructions décrites dans la section 'Nettoyage et entretien'. L'icône de nettoyage restera affichée en permanence jusqu'à la réinitialisation en débranchant la cafetière du secteur. Replacer la carafe sur la plaque chauffante et laisser le reste du café couler goutte à goutte dans la carafe.

Fonction de réglage du rétro-éclairage LCD

La lumière bleue du rétro-éclairage peut être réglée pour rester en permanence en appuyant simultanément sur les boutons 'HEURE' et 'MIN' pendant environ 5 secondes. Pour revenir à l'affichage de configuration par défaut, appuyez de nouveau simultanément sur les boutons 'HEURE' et 'MIN' pendant environ 5 secondes.

Nettoyage et entretien

Avertissement! Avant le nettoyage et l'entretien, éteindre l'appareil et retirer la fiche de la prise.

- A l'aide des poignées, enlever le filtre (12) et le porte-filtre (8) du compartiment porte-filtre (9). Retirer le marc du café du filtre.
- Laver la carafe (4), le porte-filtre et le filtre dans de l'eau chaude savonneuse. Sécher toutes les pièces et les remettre en place.
- Essuyer l'extérieur de l'appareil avec un chiffon humide.

Détartrage de l'appareil

Si l'appareil est utilisé dans une région où l'eau est dure, il est conseillé de détartrer l'appareil de temps à autre.

- Utiliser un détartrant pour cafetières du commerce, ou utiliser de l'eau et du vinaigre comme suit:
- Remplir le réservoir d'eau (7) et ajouter 3 cuillères à café de vinaigre. Faites fonctionner l'appareil comme pour infuser du café jusqu'à ce que le réservoir soit vide.
- Jeter l'eau utilisée et répéter l'opération 2 ou 3 fois avec de l'eau fraîche.

Caractéristiques techniques

Tension secteur	220 – 240 Volts (50-60 Hz)
Puissance nominale	1000W
Poids	2,2kg

Protection de l'environnement



Collecte séparée. Ce produit ne doit pas être jeté avec les déchets domestiques

normaux.

Si vous décidez de remplacer ce produit Black & Decker, ou si vous n'en avez plus l'utilité, ne le jetez pas avec vos déchets domestiques

Rendez-le disponible pour une collecte séparée.

- Black & Decker fournit un dispositif permettant de collecter et de recycler les produits Black & Decker lorsqu'ils ont atteint la fin de leur cycle de vie. Pour pouvoir profiter de ce service, veuillez retourner votre produit à un réparateur agréé qui se chargera de le collecter pour nous.
- Pour connaître l'adresse du réparateur agréé le plus proche de chez vous, contactez le bureau Black & Decker à l'adresse indiquée dans ce manuel. Vous pourrez aussi trouver une liste des réparateurs agréés de Black & Decker et de plus amples détails sur notre service après-vente sur le site Internet à l'adresse suivante : www.2helpU.com

Garantie

Black & Decker est confiant dans la qualité de ses produits et vous offre une garantie très étendue.

Ce certificat de garantie est un document supplémentaire et ne peut en aucun cas se substituer à vos droits légaux.

La garantie est valable sur tout le territoire des Etats Membres de l'Union Européenne et de la Zone de Libre Echange Européenne.

Si un produit Black & Decker s'avère défectueux en raison de matériaux en mauvaises conditions, d'une erreur humaine, ou d'un manque de conformité dans les 24 mois suivant la date d'achat, Black & Decker garantit le remplacement des pièces défectueuses, la réparation des produits usés ou cassés ou remplace ces produits à la convenance du client, sauf dans les circonstances suivantes :

- Le produit a été utilisé dans un but commercial, professionnel, ou a été loué.
- Le produit a été mal utilisé ou avec négligence.
- Le produit a subi des dommages à cause d'objets étrangers, de substances ou à cause d'accidents.
- Des réparations ont été tentées par des techniciens ne faisant pas partie du service technique de Black & Decker.

Pour avoir recours à la garantie, il est nécessaire de fournir une preuve d'achat au vendeur ou à un réparateur agréé. Pour connaître l'adresse du réparateur agréé le plus proche de chez vous, contactez le bureau Black & Decker à l'adresse indiquée dans ce manuel.

Vous pourrez aussi trouver une liste des réparateurs agréés de Black & Decker et de plus amples détails sur notre service après-vente sur le site Internet à l'adresse suivante : www.2helpU.com

Names & Addresses for Black & Decker Service Concessionaries

AFGANISTAN: United Ceramics & Building Materials Ltd. - Kolola Poshla, Kabul, Afghanistan, Tel: 0093-799-333128. **ALGERIA:** SARL Outillage Corporation, After Sale Service Center - 08, Rue Mohamed Boudiaf - Cheraga, Algiers, Algeria, Tel: 00213 21 375131, Fax: 00213 369667. **AZERBAIJAN:** Kontakt-NN LLC, Mehdiabad, Novkhani road14, Baku, Azerbaijan Az1000. Tel: +994 12 4086761, Fax: 0099-4125980378. **BAHRAIN:** Alfouz Services Co. WLL., P.O. Box 26562, Tubli, Manama, Tel: 00973-17783562/ 17879987, Fax: 00973-17783479. Kewalram & Sons Co. WLL - P.O. Box 84, Manama, Kingdom of Bahrain, Tel: 00973-17213110/ 17210617/ 17210619, Fax: 00973-17213211/ 17210627. **BANGLADESH:** Ultra Corporation, 8, Kushol Centre, Uttara, Dhaka 1230. Tel: +880-2-8922144, Fax: +880-2-8951339. **EGYPT:** Anasia Egypt for Trading S.A.E. (Mentrade), P.O. Box 2443, 9, Mostafa Refaat, St.sheraton, Heliopolis, Cairo, Tel: 00202 22684 159, Fax: 00202 22684 169. **ETHIOPIA:** Seif Tewfik Sherif - Arada Sub City, Kebele 01-02, Global Insurance Bldg., 2nd Flr. Room 43, P.O.Box 2525, Addis Ababa, Ethiopia, Tel: 00-251-11-1563968/ 1563969, Fax: 00-251-11-1558009. **INDIA:** Gryphon Impex Pvt. Ltd., D-6/4, Okhla Industrial Area, Phase-I, New Delhi-110020. Tel: +91-11-26372602-4, Fax:+91-11-26372601. **JORDAN:** Palestine Bldg. Mall.(Bashiti Hardware), 93 King Abdullah 2nd St., Opp ELBA House, PO Box 1564, Tel: 00962.6.5349098 ext.11, Fax: 00962.6.5330731. **KENYA:** Zyllog Enterprises Ltd. (T/A Leading Concepts), IPS Building, Kaunda Street, P.O. Box 40877-00100, Nairobi, Tel: 00254-20-6905000, Fax: 00254-20-6905111. **KUWAIT:** Al Omar Technical Co., P.O. Box 4062, Safat 13041, Kuwait, Tel: 00965-24848595/ 24840039, Fax: 00965-24845652. The Sultan Centre, P.O. Box 26567-13126 Safat, Kuwait, Tel: 00965-24343155 Etn. 432, Fax: 00965-24319071. **LEBANON:** Aces Service Centre (Est. F.A.Ketaneh SA), P.O. Box 90-102, Nahr El Mot, Seaside Highway, Pharaon Building, Beirut. Tel: 00961-1-898989, Fax: 00961-1-245880. **LIBYA:** Homeworld Co., Building No.5, Senidal St., Amr Ibn Elaas Road, Benghazi, Libya. Tel: 00218-61-9094183. Service Center 1 - Benghazi: 0614705021, Service Center 2 - Tripoli: 0214622531. **MAURITIUS:** J.M. Goupille & Co. Ltd., Rogers Industrial Park 1, Riche Terre, Mauritius, Tel: 00230-2069450, Fax: 00230-2483188. **MOROCCO:** UATS 26 Rue Ennarjisse, Hay Erraihan, Beausejour - Hay Hassani - Casablanca, Morocco. Tel: +212 522945114, Fax: +212 522942442. **NEPAL:** Universal Trading Centre, P.O.Box 1947, Tripureswor, Kathmandu. Tel: +977-1-4265191. **NIGERIA:** Dana Electronics Limited, No. 54 Marina, Lagos, Nigeria, Tel: 00234-7431818/ 00234-803776774. Dana Electronics Limited - 33, Akin Adesola, Vi, Lagos, Nigeria. Tel: +234 1 4610009, 4610027, +234 8057445477, +234 7028053630, Fax: +234 1 4610018. **OMAN:** Oman Marketing & Service Co. (Omasco), P.O. Box 2734, Behind Honda Showroom, Wattayah, Oman, Tel: 00968-24560232/ 24560255, Fax: 00968-24560993. Oman Marketing & Service Co. (Omasco), Al Ohi, Sohar, Oman, Tel: 00968-26846379, Fax: 00968-26846379. Oman Marketing & Service Co. (Omasco) - Sanaya, Salalah, Oman, Tel: 00968-23212290, Fax: 00968-23210936. **PAKISTAN:** Ammar Service & Spares - 60-Bank Arcade, Serai Road, Karachi, Pakistan, Tel: 0092-21-32426905, Fax: 0092-21-32427214. **PHILIPPINES:** 476 J. P. Rizal St., cor Kakarong St. Brgy Olympia, Makati City, Tel: +632 403-5698. **QATAR:** Al Mufthah Service Centre - Al Wakrah Road, P.O. Box 875, Doha, Qatar. Tel: 00974-4650880/ 4650110/ 4446868, Fax: 00974-4441415/ 4662599. **SAUDI ARABIA: (Al Khobar)** Al-Suwaiket Catering & Trading Co., P.O.Box 4228, King A.Aziz Street, Al Khobar, Tel: 00966-3-8591088, Fax: 00966-3-8595648. Fawaz Ebrahim Al Zayani Trading Est. P.O. Box 76026, Al Khobar # 31952, Tel: 00966-3-8140914, Fax: 00966-3-8140824. **(Jeddah)** Banaja Trading Co. Ltd, P.O. Box 366, Jeddah-21411, Tel: 00966-2-6511111, Fax: 00966-2-6503668. EAC (Al Yousef Contg. & Trdg. Est.), P.O. Box 30377, Jeddah -21477, Tel: 00966-2-6519912, Fax: 00966-2-6511153. **(Riyadh)** Banaja Trading Co. Ltd, P.O. Box 566, Riyadh-11421, Tel: 00966-1-4124444, Fax: 00966-1-4033378. **SOUTH AFRICA:** Trevco Power Tool Service 14 Steenbok Street, Koedoespoort, 0186, Pretoria, South Africa, Tel: 0027-86-1873826, Fax: 0027-86-5001771. **SRI LANKA:** Delmege Construction Products (Pvt) Ltd., No51 Stork Place, Colombo-10, Sri Lanka, Tel: +94-11-2688462-3, **TUNISIA:** Société Tunisienne De Chauffage - Rue de la Physique, Nouvelle Zone Industrielle de Ben Arous-2013 Tunisie, Tel: 00216-71-386102/ 380620, Fax: 00216-71380412 ext1216. **UGANDA:** Anisuma Investment and Services Ltd., J R complex, Ware House No.5, Plot No 101, 3rd Street Industrial Area, Jinja Road, Kampala, Tel: 0414-237106. **UAE: (Abu Dhabi)** Light House Electrical, P.O. Box 120, Abu Dhabi, Tel: 00971-2-6726131, Fax: 00971-2-6720667. **(Dubai)** Black & Decker (Overseas) GmbH, P.O. Box 5420, Dubai, Tel: 00971-4-8127400/ 8127406, Fax: 00971-4-2822765. **(Musaffah)** Light House Electrical, P.O. Box 120, Abu Dhabi, Tel: 00971-2-5548315, Fax: 00971-2-5540461. **(Sharjah)** Mc Coy Middle East LLC, P.O. Box 25793, Sharjah, Tel: 00971-6-5395931, Fax: 00971-6-5395932. **(Ras Al Khaimah)** Mc Coy Middle East LLC, P.O.Box 10584, Ras Al Khaimah, Tel: 00971-7-2277095, Fax: 00971-7-2277096. **YEMEN: (Aden)** Muala St., Tel: +967 2 222670, Fax : + 967 2 222670. **(Sana'a)** Middle East Trad. Co. Ltd., P.O. Box 12363, Hayel Street, Sana'a. Tel: +967-1-204201, Fax: +967-1-204204. **(Taiz)** Middle East Trading Co.(METCO), 5th Flr.Hayel Saeed Anam Bldg, Al-Mugamma St. Taiz, Yemen, Tel: 00967-4-213455, Fax: 00967-4-219869.



WARRANTY REGISTRATION CARD

YOUR NAME/ الإسم

YOUR ADDRESS العنوان

POSTCODE الرمز البريدي

DATE OF PURCHASE تاريخ الشراء

DEALER'S NAME & ADDRESS/ إسم وعنوان البائع

PRODUCT MODEL NO. DCM90



Free Manuals Download Website

<http://myh66.com>

<http://usermanuals.us>

<http://www.somanuals.com>

<http://www.4manuals.cc>

<http://www.manual-lib.com>

<http://www.404manual.com>

<http://www.luxmanual.com>

<http://aubethermostatmanual.com>

Golf course search by state

<http://golfingnear.com>

Email search by domain

<http://emailbydomain.com>

Auto manuals search

<http://auto.somanuals.com>

TV manuals search

<http://tv.somanuals.com>