

**BLACK&DECKER**® *Home*

**12-Cup Coffeemaker**  
**Cafetera de 12 tazas**  
**Cafetière de 12 tasses**



**IMPORTANT / IMPORTANTE /  
IMPORTANT**

**WASH CARAFE BEFORE FIRST USE!**

**¡LAVE LA JARRA ANTES DEL PRIMER USO!**

**LAVER LA CARAFE AVANT LA PREMIÈRE  
UTILISATION!**

Register your product online at  
[www.prodprotect.com/applica](http://www.prodprotect.com/applica), for  
a chance to WIN \$100,000!  
For US residents only



**USA/Canada**  
**Mexico**

**1-800-231-9786**  
**01-800-714-2503**

<http://www.prodprotect.com/applica>

**Accessories/Parts (USA/Canada)**  
**1-800-738-0245**

**Models**  
**Modelos**  
**Modèles**

- DLX850**
- DLX850B**

## IMPORTANT SAFEGUARDS

When using electrical appliances, basic safety precautions should always be followed to reduce the risk of fire, electric shock and/or injury to persons, including the following:

- Read all instructions.
- Do not touch hot surfaces. Use handle or knobs.
- To protect against electric shock, do not place cord, plug or appliance in water or other liquids.
- Close supervision is necessary when any appliance is used by or near children.
- Unplug from outlet when not in use and before cleaning. Allow to cool before putting on or taking off parts and before cleaning the appliance.
- Do not operate any appliance with a damaged cord or plug or after the appliance malfunctions, or has been damaged in any manner. Return the appliance to the nearest authorized service facility for examination, repair or adjustment. Or, call the appropriate toll-free number on the cover of this manual.
- The use of an accessory not evaluated for use with this appliance may cause injuries.
- Do not use outdoors.
- Do not let cord hang over the edge of table or counter, or touch hot surfaces.
- Do not place on or near a hot gas or electric burner or in a heated oven.
- To disconnect, turn any control to OFF, then remove plug from wall outlet.
- Do not use this appliance for other than intended use.
- Keep lid on the carafe when in use.
- Scalding may occur if the lid is removed during the brewing cycles.
- The carafe is designed for use with this appliance. It must never be used on a range top.
- Do not set a hot carafe on a wet or cold surface.

- Do not use a cracked carafe or a carafe having a loose or weakened handle.
- Do not clean carafe with cleansers, steel wool pads or other abrasive material.

## SAVE THESE INSTRUCTIONS.

**This product is for household use only.**

### **POLARIZED PLUG (120V Models Only)**

This appliance has a polarized plug (one blade is wider than the other). To reduce the risk of electric shock, this plug is intended to fit into a polarized outlet only one way. If the plug does not fit fully into the outlet, reverse the plug. If it still does not fit, contact a qualified electrician. Do not attempt to modify the plug in any way.

### **TAMPER-RESISTANT SCREW**

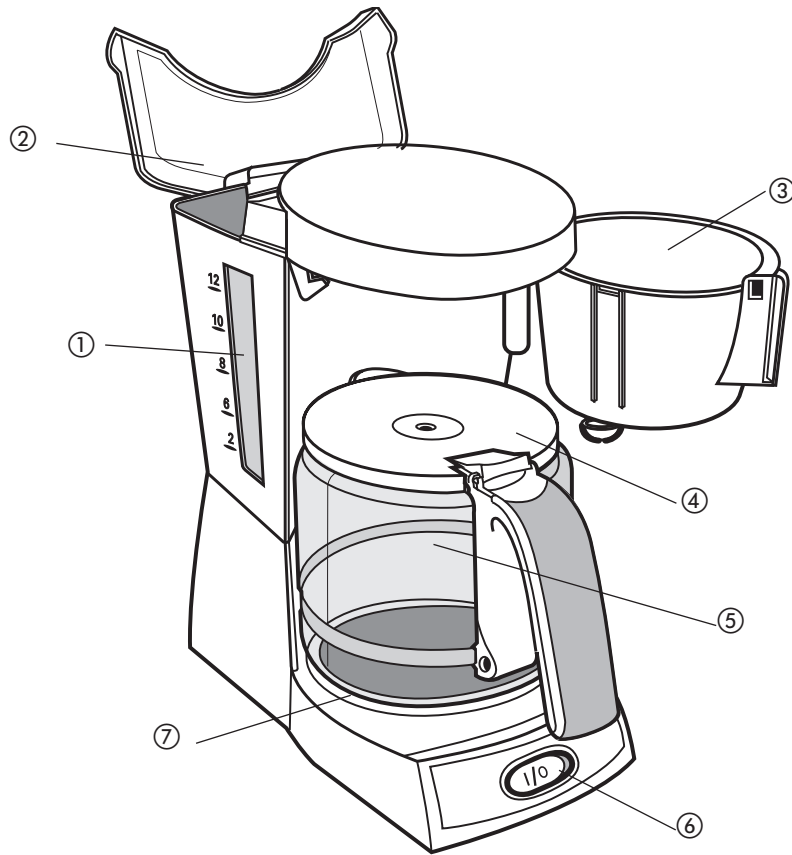
**Warning: This appliance is equipped with a tamper-resistant screw to prevent removal of the outer cover. To reduce the risk of fire or electric shock, do not attempt to remove the outer cover. There are no user-serviceable parts inside. Repair should be done only by authorized service personnel.**

### **ELECTRICAL CORD**

The cord of this appliance was selected to reduce the possibility of tangling in or tripping over a longer cord. If more length is needed, use an extension cord rated no less than 15 amperes. (For 220 volts rated products, use an extension cord rated no less than 6 amperes.) When using an extension cord, do not let it drape over the working area or dangle where someone could accidentally trip over it. Handle cord carefully for longer life; avoid jerking or straining it at outlet and appliance connections.

**Note:** If the power supply cord is damaged, it should be replaced by qualified personnel. In Latin America, by an authorized service center.

Product may vary slightly from what is illustrated.



1. Easy-view water window

2. Reservoir lid

† 3. Filter basket (Part# DLX850-01 (W), Part# DLX850B-01 (B))

† 4. Carafe lid (Part# DLX850-02 (W), Part# DLX850B-02 (B))

† 5. Duralife™ carafe 12 cups / 60 oz. / 1 800 ml  
(Part# GC850 (W), Part# GCB850 (B))

6. Lighted On/Off (I/O) switch

7. Nonstick "Keep Hot" carafe plate

**Note:** † indicates consumer replaceable/removable parts

## How to Use

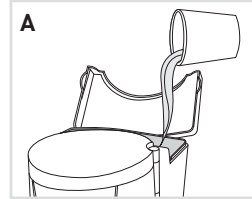
This product is for household use only.

### GETTING STARTED

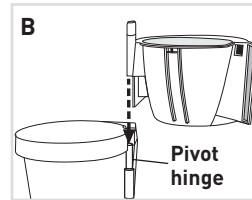
- Remove all stickers, packing material, and literature.
- Please go to [www.prodprotect.com/applica](http://www.prodprotect.com/applica) to register your warranty.
- Wash the carafe, carafe lid and brew basket in warm sudsy water—rinse thoroughly. These parts are also top rack, dishwasher safe.

### CLEANING BEFORE FIRST USE

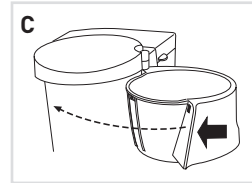
Cycle the unit once with water to help remove any dust or residue that may remain in the system during the manufacturing process..



1. Open reservoir lid and pour cold water into water reservoir up to the 12-cup mark on the water window (A). Do not overfill.
2. Close the reservoir lid.



3. Insert filter basket pivoting hinge into filter basket holder (B).
4. Place a basket-style paper filter into the filter basket (do not add coffee grounds).

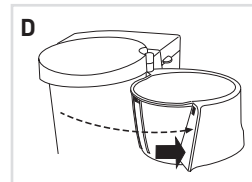


5. Grasp filter basket by small handle and use it to swing the filter basket closed (C).
6. Plug coffeemaker into a standard 120V electrical outlet.
7. Place the carafe with lid on the "Keep Hot" carafe plate and press the On/Off (I/O) switch ON (I).
8. When cycle is finished, turn the coffeemaker off (O) and discard used filter and the water from the carafe.

### BREWING COFFEE

1. Open water reservoir lid.

2. Fill carafe with desired amount of cold tap water using water markings on carafe; pour into water reservoir. Do not exceed the 12-cup maximum level.



3. Grasp filter basket by small handle and swing open (D). Insert a basket-style paper filter into the brew basket, add ground coffee into filter (we recommend one heaping tablespoon for every two cups).
4. Grasp small handle and swing the filter basket closed.
5. Place the carafe with lid on the "Keep Hot" plate.
6. Plug coffeemaker into a standard 120V electrical outlet.

7. Press the On/Off switch ON (I).

8. Replace the carafe on the "Keep Hot" carafe plate when not serving to keep coffee hot.

**Important:** Do not swing open brew filter basket while brewing.

9. Press ON/OFF switch OFF (O) when finished brewing.

**SNEAK-A-CUP® FEATURE**

The Sneak-A-Cup® feature allows you to pour a cup of coffee from the carafe while the coffee is brewing. When the carafe is removed, the brewing process is paused. Simply replace the carafe on the carafe plate within 30 seconds and brewing resumes.

**COFFEE BREWING TIPS**

- Stir coffee in carafe before serving to evenly distribute the flavor.
- Coffee that is poured during brewing cycle may vary in strength from the finished brew.
- Not sure how much coffee to use? Begin by using 1 level tablespoon of medium grind coffee for each cup of coffee to be brewed.
- For variety, add a 2-inch piece of lemon or orange peel to the coffee grounds before brewing.
- For a special occasion, whip some heavy cream with 1 or 2 tablespoons of hazel nut, chocolate or almond liqueur. Use to top off each cup of coffee.
- Add a 2-inch piece of vanilla bean to the sugar bowl. You'll be surprised at how good it tastes.
- Keep your coffeemaker scrupulously clean; you will be pleased with the flavor.

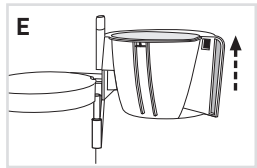
## Care and Cleaning

**CLEANING YOUR COFFEEMAKER**

This product contains no user serviceable parts. Refer service to qualified service personnel

**CLEANING**

1. Be sure the unit is unplugged and cooled.
2. Grasp the small handle on the filter basket and swing basket completely open.
3. Remove the filter basket by lifting the basket straight up and off of pivot hinge **(E)**
4. Discard the paper filter with the grounds.
5. Clean parts as follows:
  - Filter basket, carafe and lid are all top-rack dishwasher safe; or they may be hand washed in warm, sudsy water.
6. Insert filter basket onto pivot hinge and swing closed.

**CARING FOR YOUR CARAFE**

A damaged carafe may result in possible burns from a hot liquid. To avoid breaking:

- Do not allow all liquid to evaporate from the carafe while on the "Keep Hot" carafe plate or heat the carafe when empty.
- Discard the carafe if damaged in any manner. A chip or crack could result in breakage.
- Never use abrasive scouring pads or cleansers, they will scratch and weaken the glass.
- Do not place the carafe on or near a hot gas or electric burner, in a heated oven, or in a microwave oven.
- Avoid rough handling and sharp blows.

**MINERAL DEPOSITS AND CLOGGING**

Mineral deposits left by hard water can clog your coffeemaker. Excessive steaming or a prolonged brewing cycle are signs that a cleaning is needed. Cleaning is recommended once a month.

1. Pour white vinegar into the water reservoir up to the 6-cup level on the water window. Add fresh water up to the 10-cup line, and close the reservoir lid.
2. Grasp filter basket by small handle and swing open.
3. Put a new paper filter in the filter basket, swing the basket closed and be sure it latches. Set the empty carafe on the "Keep Hot" carafe plate.
4. Turn the coffeemaker on (I) and let half the cleaning solution brew into the carafe. Turn the coffeemaker off (O) and let it soak for at least 15 minutes to soften the deposits.
5. Turn the coffeemaker on (I) and brew the remaining cleaning solution into the carafe.
6. When the cleaning solution has finished brewing, discard the paper filter empty the carafe and rinse with clean water.
7. Refill the reservoir with cold water to the 10-cup line, replace the empty carafe, put a paper filter in the filter basket, then turn on the coffeemaker and run another brew cycle to flush out the remaining cleaning solution.
8. Wash the filter basket, carafe and carafe lid as instructed in CLEANING.

**WARNING**

**RISK OF FIRE OR ELECTRIC SHOCK. DO NOT OPEN.**

The lightning symbol refers to "dangerous voltage"; the exclamation symbol refers to maintenance instructions. See below.

**Warning: To reduce the risk of fire or electric shock, do not remove the cover of the coffeemaker. There are no user-serviceable parts inside. Repair should be done by authorized service personnel only.**

# TROUBLESHOOTING

PROBLEM	POSSIBLE CAUSE	SOLUTION
Coffeemaker does not turn on.	Coffeemaker is not plugged in.	Check to be sure appliance is plugged in to a working outlet and the On/Off (I/O) switch is powered ON (I).
Coffeemaker is leaking.	<ul style="list-style-type: none"> <li>Water reservoir may be overfilled.</li> <li>Carafe may not be correctly placed on "Keep Hot" carafe plate.</li> </ul>	<ul style="list-style-type: none"> <li>Make sure water reservoir has not been filled beyond MAX fill line.</li> <li>Make sure carafe is placed correctly on "Keep Hot" carafe plate and is centered under filter basket holder.</li> </ul>
Brewing takes too long.	Coffeemaker might need cleaning.	Follow procedure in CARE AND CLEANING.
Coffee is not brewing.	Water reservoir might be empty.	Make sure water reservoir has sufficient water to brew desired number of cups of coffee.
Coffeemaker brews clear water.	There may be no coffee grounds in removable filter basket.	Add sufficient amount of coffee grounds to paper filter in removable filter basket.
Filter basket overflows.	Carafe may be improperly placed on "Keep Hot" carafe plate.	Remove carafe and insert so that carafe rests comfortably within grooves on "Keep Hot" carafe plate.
Grounds in brewed coffee.	Filter and/or filter basket are not properly placed.	Insert paper filter into filter basket and insert basket properly into holder.

## NEED HELP?

For service, repair or any questions regarding your appliance, call the appropriate 800 number on cover of this book. Please **DO NOT** return the product to the place of purchase. Also, please **DO NOT** mail product back to manufacturer, nor bring it to a service center. You may also want to consult the website listed on the cover of this manual.

### Two Year Limited Warranty

(Applies only in the United States and Canada)

#### What does it cover?

- Any defect in material or workmanship provided; however, Applicia's liability will not exceed the purchase price of product.

#### For how long?

- Two years after date of purchase.

#### What will we do to help you?

- Provide you with a reasonably similar replacement product that is either new or factory refurbished.

#### How do you get service?

- Save your receipt as proof of date of sale.
- Visit the online service website at [www.prodprotect.com/applicia](http://www.prodprotect.com/applicia), or call toll-free 1-800-231-9786, for general warranty service.
- If you need parts or accessories, please call 1-800-738-0245.

#### What does your warranty not cover?

- Damage from commercial use
- Damage from misuse, abuse or neglect
- Products that have been modified in any way
- Products used or serviced outside the country of purchase
- Glass parts and other accessory items that are packed with the unit
- Shipping and handling costs associated with the replacement of the unit
- Consequential or incidental damages (Please note, however, that some states do not allow the exclusion or limitation of consequential or incidental damages, so this limitation may not apply to you.)

#### How does state law relate to this warranty?

- This warranty gives you specific legal rights. You may also have other rights that vary from state to state or province to province.

 **BLACK&DECKER** is a trademark of The Black & Decker Corporation, Towson, Maryland, USA

Made in People's Republic of China  
Printed in People's Republic of China

Por favor lea este instructivo antes de usar el producto.

## INSTRUCCIONES IMPORTANTES DE SEGURIDAD

Cuando se utilizan aparatos eléctricos, siempre se debe respetar ciertas medidas de seguridad a fin de reducir el riesgo de un incendio, un choque eléctrico y (o) lesiones a las personas, incluyendo las siguientes:

- Por favor lea todas las instrucciones.
- No toque las superficies calientes. Utilice las asas o las perillas.
- A fin de protegerse contra el riesgo de un choque eléctrico, no coloque el aparato de manera que el cable, el enchufe o el mismo aparato entre en contacto con agua o cualquier otro líquido.
- Todo aparato eléctrico utilizado en la presencia de menores de edad o por ellos mismos requiere la supervisión de un adulto.
- Desconecte el aparato del tomacorriente cuando no esté en funcionamiento y antes de limpiarlo. espere que el aparato se enfríe antes de instalar o retirar las piezas y antes de limpiarlo.
- No se debe utilizar ningún aparato eléctrico que tenga el cable o el enchufe averiado, que presente un problema de funcionamiento o que esté dañado. Devuelva el aparato al centro de servicio autorizado más cercano para que lo examinen, reparen o ajusten. También puede llamar gratis al número apropiado que aparece en la cubierta de este manual.
- El uso de un accesorio no evaluado para ser utilizado con este aparato podría ocasionar lesiones personales.
- Este aparato no se debe utilizar a la intemperie.
- No permita que el cable cuelgue del borde de la mesa o del mostrador ni que entre en contacto con las superficies calientes.
- No coloque el aparato sobre ni cerca de las hornillas de gas o eléctricas ni adentro de un horno caliente.
- Para desconectar el aparato, ajuste todo control a la posición de apagado (OFF) y luego, desconecte el aparato del tomacorriente.
- El aparato se debe de utilizar únicamente con el fin previsto.
- La jarra debe permanecer tapada cuando está en uso.

- Existe el riesgo de quemaduras si uno retira la tapa durante los ciclos de colado.
- La jarra está diseñada para ser utilizada con este aparato. Jamás se deberá utilizar sobre la estufa.
- Nunca coloque una jarra caliente sobre una superficie fría ni húmeda.
- No utilice la jarra si el vidrio se encuentra rajado o si el asa está débil.
- No limpie la jarra con limpiadores abrasivos, con almohadillas de fibra de metal ni demás limpiadores abrasivos.

## CONSERVE ESTAS INSTRUCCIONES.

**Este aparato eléctrico es para uso doméstico únicamente.**

### ENCHUFE POLARIZADO (Solamente para los modelos de 120V)

Este aparato cuenta con un enchufe polarizado (un contacto es más ancho que el otro). A fin de reducir el riesgo de un choque eléctrico, este enchufe encaja en un tomacorriente polarizado en un solo sentido. Si el enchufe no entra en el tomacorriente, inviértalo y si aun así no encaja, consulte con un electricista. Por favor no trate de alterar esta medida de seguridad

### TORNILLO DE SEGURIDAD

**Advertencia: Este aparato cuenta con un tornillo de seguridad para evitar la remoción de la cubierta exterior del mismo. A fin de reducir el riesgo de incendio o de choque eléctrico, por favor no trate de remover la cubierta exterior. Este producto no contiene piezas reparables por el consumidor. Toda reparación se debe llevar a cabo únicamente por personal de servicio autorizado**

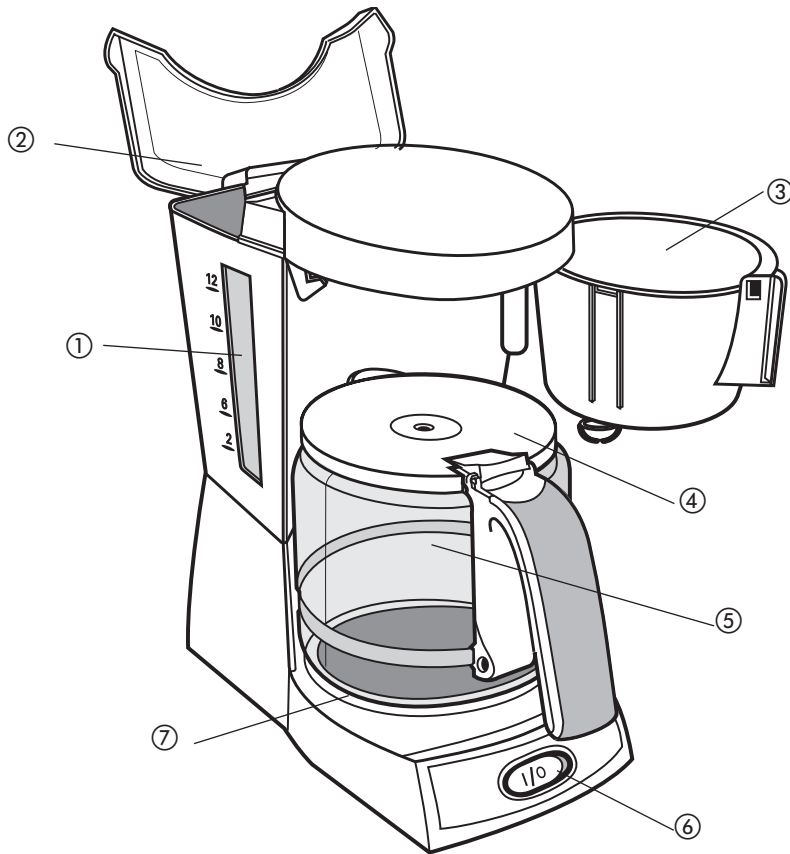
### CABLE ELÉCTRICO

El cable de este aparato fue escogido a fin de evitar el riesgo de enredarse o de tropezar con un cable de mayor longitud. Cualquier cable de extensión que se deba emplear, deberá estar calificado para nada menor de 15 amperios. (Para aquellos productos de 220 voltios, se deberá utilizar un cable de extensión no menor de 6 amperios). Cuando utilice un cable de extensión, asegúrese que no interfiera con la superficie de trabajo ni que cuelgue de manera que alguien se pueda tropezar. A fin de aumentar la vida útil del cable, no tire de él ni maltrate las uniones del cable con el enchufe ni con el aparato.

**Nota:** Si el cordón de alimentación esta dañado, en América Latina debe sustituirse por personal calificado o por el centro de servicio autorizado.



Este producto puede variar ligeramente del que aparece ilustrado



1. Ventana del tanque de agua fácil de ver
2. Tapa del tanque
3. Cesto removible para el filtro
4. Tapa de la jarra
5. Jarra Duralife™ 12 tazas / 60 oz. / 1800 ml
6. Interruptor de Enc/Apag (I/O)
7. Placa calefactora antiadherente

## Como usar

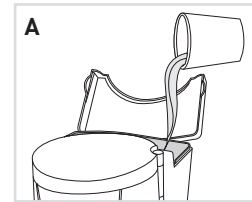
Este aparato es solamente para uso doméstico.

### PASOS PRELIMINARES

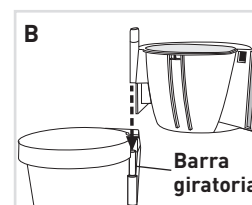
- Retire toda calcomanía, material de empaque y literatura.
- Por favor, visite [www.prodprotect.com/applica](http://www.prodprotect.com/applica) para registrar su garantía.
- Lave la jarra, la tapa de la jarra y el recipiente de colar con agua tibia jabonada. Enjuague bien. Estas piezas también se pueden lavar en la bandeja superior de la máquina lavaplatos.

### LIMPIEZA ANTES DEL PRIMER USO

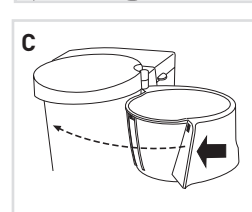
**Nota:** La cafetera debe de completar un ciclo de colado con agua solamente, para eliminar cualquier residuo de polvo que pudiera haber en el sistema debido al proceso de fabricación.



1. Abra la tapa del tanque y vierta agua fría hasta el nivel de llenado que indica 12 tazas (A). No sobrellenar.
2. Cierre la tapa del tanque.



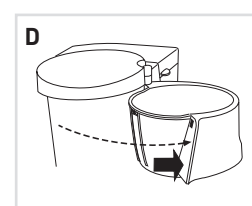
3. Inserte la barra giratoria del cesto removible para el filtro en el soporte del mismo (B).
4. Coloque un filtro papel en el cesto removible (sin agregar café molido).



5. Sujete el cesto desmontable por el mango pequeño para cerrar bien el recipiente (C).
6. Enchufe la cafetera a un tomacorriente normal.
7. Coloque la jarra con la tapa sobre la placa calefactora y presione el interruptor a la posición de encendido (I).
8. Al finalizar el ciclo de colado, apague la cafetera, deseché el filtro usado y vacíe el agua de la jarra.

### PREPARACIÓN DEL CAFÉ

1. Abra la tapa del tanque.
2. Llene la jarra con agua fría de la llave hasta el nivel deseado, usando las marcas indicadas en la jarra. Vierta el agua en el tanque, sin exceder el nivel máximo de llenado de 12 tazas.



3. Sujete el mango pequeño del cesto removible y abra bien el cesto (D). Instale un filtro corriente de papel adentro del cesto removible y agregue café molido al filtro (se recomienda dos cucharadas llenas para cada taza).
4. Sujete el mango pequeño y cierre bien el cesto removible (vea C).
5. Coloque la jarra en la cafetera.
6. Enchufe la cafetera a un tomacorriente normal.

7. Presione el interruptor a la posición de encendido (I) y observe que se enciende una luz.

- Después de servir el café, procure mantener la jarra sobre la placa calefactora a fin de conservar caliente el café.

**Importante:** El cesto removible no se debe de abrir a medio ciclo de funcionamiento.

- Cuando termine de servir el café, ajuste el interruptor a la posición de apagado (OFF).

#### DISPOSITIVO DE INTERRUPCIÓN DE COLADO SNEAK-A-CUP®

Gracias al dispositivo de interrupción de colado Sneak-A-Cup®, uno puede servirse una taza de café durante el ciclo de colado. Cuando uno retira la jarra, el ciclo de colado pausa. Simplemente coloque la jarra sobre la placa calefactora y el ciclo de colado continúa en cuestión de 30 segundos.



#### CONSEJOS PARA COLAR CAFÉ

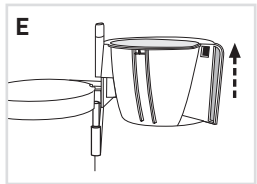
- Revuelva el café de la jarra antes de servirlo para distribuir bien el sabor.
- El café que uno sirve durante el ciclo de colado puede variar en intensidad.
- ¿Tiene duda de cuánto café usar? Comience por medir 1 cucharada rasada de café molido de textura media por cada taza de café a colar.
- Para variar, antes de colar, agregue al café molido un pedazo de 2 pulgadas de piel de limón o naranja.
- Para una ocasión especial, puede batir crema y agregar 1 o 2 cucharas de licor de avellana, chocolate o almendra para coronar cada taza de café.
- Agregue a la azucarera un pedazo de 2 pulgadas de grano de vainilla. Sorprendentemente, resulta muy sabrosa.
- Para un café de buen sabor, siempre conserve su cafetera sumamente limpia.

## Cuidado y limpieza

Este producto no contiene piezas reparables por el consumidor. Acuda a personal autorizado en caso de necesitar servicio.

#### LIMPIEZA

- Asegúrese de que el aparato esté desconectado y que se haya enfriado.
- Sujete el mango pequeño del recipiente de colar y abra bien el recipiente.



- Para quitar el cesto removible, alce para arriba y retire de la barra giratoria (E).
- Deseche el filtro de papel con el molido de café.
- Para limpiar las piezas, siga las siguientes instrucciones:
  - El cesto removible, la jarra y la tapa se pueden lavar en la bandeja superior de la máquina lavaplatos o uno las puede lavar a mano con agua tibia jabonada.

- Limpie el exterior del aparato y la placa calefactora con un paño suave humedecido. No utilice limpiadores abrasivos ni almohadillas de fregar. Jamás sumerja la cafetera en agua.

- Inserte el cesto removible en la barra giratoria y cierre bien.

#### CUIDADO DE LA JARRA

Una jarra dañada puede resultar en posibles quemaduras debido al líquido caliente.

A fin de evitar que la jarra se rompa:

- Cuando la jarra está sobre la placa calefactora, uno no debe de permitir la evaporación de toda el agua, como tampoco debe de calentar la jarra estando vacía.
- Deseche la jarra si está dañada. Una astilla o rajadura puede hacer que la jarra se rompa.

- Jamás utilice almohadillas de fibras abrasivas ni limpiadores fuertes que puedan rallar o debilitar el vidrio.
- No coloque la jarra sobre ni cerca de una hornilla de gas o eléctrica, adentro de un horno caliente, ni adentro de un horno de microondas.
- Evite el manejo brusco y los golpes.

#### DEPÓSITOS MINERALES Y OBSTRUCCIONES

Los depósitos minerales que provienen del agua dura pueden obstruir la cafetera. La emisión excesiva de vapor o los ciclos de colado prologados indican que la cafetera requiere una limpieza. Se recomienda realizar una limpieza una vez al mes.

- Vierta vinagre blanco adentro del tanque de agua hasta la marca del nivel de llenado que indica 6 tazas. Agregue agua limpia hasta alcanzar la marca de 10 tazas y cierre la tapa del tanque.
- Sujete el cesto removible por el mango pequeño y abra bien el recipiente.
- Instale un filtro nuevo de papel en el cesto. Cierre el cesto removible y asegúrese de que enganche. Coloque la jarra vacía sobre la placa calefactora.
- Encienda la cafetera y permita que se cuele mitad de la solución de limpieza adentro de la jarra. Apague la cafetera y deje reposar un mínimo de 15 minutos hasta que se ablanden los depósitos minerales.
- Encienda la cafetera nuevamente y permita que se cuele el resto de la solución adentro de la jarra.
- Una vez que se haya colado la solución de vinagre, deseche el filtro de papel, vacíe la jarra y enjuague con agua limpia.
- Llene el tanque con agua fría hasta el nivel que indica 10 tazas, coloque la jarra vacía sobre la placa calefactora, instale un filtro de papel en el cesto y repita otro ciclo de colado para enjuagar toda solución de vinagre sobrante.
- Lave el cesto removible, la jarra y la tapa de la jarra según las instrucciones e la sección de limpieza.



#### PRECAUCIÓN

**RIESGO DE INCENDIO O DE CHOQUE ELÉCTRICO. NO ABRA.**

El símbolo de un rayo indica voltaje peligroso. El signo de exclamación indica importantes instrucciones de mantenimiento. Consulte a continuación:

**Precaución: Para reducir el riesgo de incendio o de choque eléctrico, no retire la cubierta de la cafetera. No contiene por dentro partes reparables por el consumidor. Cualquier reparación deberá ser efectuada únicamente por personal autorizado.**



# RESOLUCIÓN DE PROBLEMAS O FALLAS

PROBLEMA	POSIBLE CAUSA	SOLUCIÓN
La cafetera no enciende.	La cafetera no está enchufada.	Asegúrese que el aparato esté conectado a un tomacorriente activo y de haber presionado el interruptor de Enc/Apag (I/O).
La cafetera gotea.	<ul style="list-style-type: none"> <li>El tanque de agua podría estar demasiado lleno.</li> <li>La jarra puede no estar colocada correctamente sobre la placa calefactora.</li> </ul>	<ul style="list-style-type: none"> <li>Asegúrese de no sobrepasar el nivel de llenado máximo.</li> <li>Asegúrese que la jarra esté bien colocada sobre la placa calefactora y centrada debajo del cesto removible.</li> </ul>
El ciclo de colado se demora demasiado.	La cafetera podría requerir una limpieza.	Siga las instrucciones de limpieza bajo CUIDADO Y LIMPIEZA.
El café no se cuele.	El tanque de agua podría estar vacío.	Asegúrese que el tanque tenga suficiente agua para colar el número de tazas de café deseadas.
La cafetera cuele agua clara solamente.	Podría no haber café molido en el cesto removible para el filtro.	Agregue suficiente café molido al filtro de papel, que encaja adentro del cesto removible.
El cesto de colar se desborda.	La jarra podría estar mal colocada sobre la placa calefactora.	Retire y coloque la jarra de manera que descansa cómodamente dentro de las ranuras de la placa calefactora.
Hay residuos de molido en el café colado.	El filtro y(o) el cesto removible no están bien instalados en su lugar.	Inserte el filtro de papel adentro del cesto removible y asegúrese de colocar el cesto correctamente en su lugar.

## ¿NECESITA AYUDA?

Para servicio, reparaciones o preguntas relacionadas al producto, por favor llame al número del centro de servicio en el país donde usted compró su producto. NO devuelva el producto al fabricante. Llame o lleve el producto a un centro de servicio autorizado.

## DOS AÑOS DE GARANTÍA LIMITADA

**(No aplica en México, Estados Unidos o Canadá)**

### ¿Qué cubre la garantía?

- La garantía cubre cualquier defecto de materiales o de mano de obra. Aplica no se responsabiliza por ningún costo que exceda el valor de compra del producto.

### ¿Por cuánto tiempo es válida la garantía?

- Por dos años a partir de la fecha original de compra.

### ¿Cómo se puede obtener servicio?

- Conserve el recibo original de compra.
- Por favor llame al número del centro de servicio autorizado.

### Esta garantía no cubre:

- Los productos que han sido utilizados en condiciones distintas a las normales
- Los daños ocasionados por el mal uso, el abuso o negligencia.
- Los productos que han sido alterados de alguna manera
- Los daños ocasionados por el uso comercial del producto
- Los productos utilizados o reparados fuera del país original de compra
- Las piezas de vidrio y demás accesorios empacados con el aparato
- Los gastos de tramitación y embarque asociados al reemplazo del producto
- Los daños y perjuicios indirectos o incidentales

## Póliza de Garantía

**(Válida sólo para México)**

### Duración

Aplica Manufacturing, S. de R. L. de C.V. garantiza este producto por 2 años a partir de la fecha original de compra.

### ¿Qué cubre esta garantía?

Esta Garantía cubre cualquier defecto que presenten las piezas, componentes y la mano de obra contenidas en este producto.

### Requisitos para hacer válida la garantía

Para reclamar su Garantía deberá presentar al Centro de Servicio Autorizado la póliza sellada por el establecimiento en donde adquirió el producto. Si no la tiene, podrá presentar el comprobante de compra original.

### ¿Donde hago válida la garantía?

Llame sin costo al teléfono 01 800 714 2503, para ubicar el Centro de Servicio Autorizado más cercano a su domicilio en donde usted podrá encontrar partes, componentes, consumibles y accesorios.

### Procedimiento para hacer válida la garantía

Acuda al Centro de Servicio Autorizado con el producto con la póliza de Garantía sellada o el comprobante de compra original, ahí se reemplazará cualquier pieza o componente defectuoso sin cargo alguno para el usuario final. Esta Garantía incluye los gastos de transportación que se deriven de su cumplimiento.

## Excepciones

Esta Garantía no será válida cuando el producto:

- A) Se hubiese utilizado en condiciones distintas a las normales.
- B) No hubiese sido operado de acuerdo con el instructivo de uso que le acompaña.
- C) Cuando el producto hubiese sido alterado o reparado por personas no autorizadas por Applica Manufacturing, S. de R. L. de C.V.

**Nota:** Usted podrá encontrar partes, componentes, consumibles y accesorios en los centros de servicios autorizados. Esta garantía incluyen los gastos de transportación que se deriven de sus cumplimiento dentro de sus red de servicio.

Por favor llame al número correspondiente que aparece en la lista a continuación para solicitar que se haga efectiva la garantía y donde Ud. puede solicitar servicio, reparaciones o partes en el país donde el producto fué comprado. También puede consultarnos en el e-mail. "servicio@applicamail.com.mx"

<b>Argentina</b> Servicio Técnico Central Attendance Atención al Cliente Ave. Monroe 3351 Buenos Aires, Argentina Tel.: 0810-999-8999	<b>El Salvador</b> Sedeblack Calle San Antonio Abad 2936 San Salvador, El Salvador Tel. (503) 2284-8374	<b>Perú</b> Servicio Técnico Central Fast Service Calle Jorge Muelle 121 San Borja Lima Perú Tel. ( 0511) 2257391-2230221
<b>Chile</b> Servicio Máquinas y Herramientas Ltda. Av. Apoquindo No. 4867 - Las Condes Santiago, Chile Tel.: (562) 263-2490	<b>Guatemala</b> MacPartes SA 3ª Calle 414 Zona 9 Frente a Tecun Tel. (502) 2331-5020 2332-2101	<b>Puerto Rico</b> Buckeye Service Jesús P. Piñero #1013 Puerto Nuevo, SJ PR 00920 Tel.: (787) 782-6175
<b>Colombia</b> PLINARES Avenida Quito # 88A-09 Bogotá, Colombia Tel. sin costo 01 800 7001870	<b>Honduras</b> ServiTotal Contigua a Telecentro Tegucigalpa, Honduras, Tel. (504) 235-6271	<b>Republica Dominicana</b> Plaza Lama, S.A. Av, Duarte #94 Santo Domingo, República Dominicana Tel.: (809) 687-9171
<b>Costa Rica</b> Aplicaciones Electromecanicas, S.A. Calle 26 Bis y Ave. 3 San Jose, Costa Rica Tel.: (506) 257-5716 223-0136	<b>México</b> Art. 123 No. 95 Col. Centro, C.P. 06050 Deleg. Cuauhtemoc Tel: 01 800 714-2503	<b>Trinidad and Tobago</b> A.S. Bryden & Sons (Trinidad) Limited 33 Independence Square, Port of Spain Trinidad, W.I. Tel.: (868) 623-4696
<b>Ecuador</b> Servicio Master Ecuador Av. 6 de Diciembre 9276 y Los Alamos Tel. ( 593 ) 2281-3882	<b>Nicaragua</b> ServiTotal De semáforo de portezuelo 500 metros al sur. Managua, Nicaragua, Tel. (505) 248-7001	<b>Venezuela</b> Inversiones BDR CA Av. Casanova C.C. City Market Nivel Plaza Local 153, Diagonal Hotel Melia. Caracas Tel. (582) 324 0969
	<b>Panamá</b> Servicios Técnicos CAPRI Tumbamuerto Boulevard El Dorado Panamá. Tel. (507) 2360 236 (507) 2360 159	

Sello del Distribuidor:

Fecha de compra:

Modelo:

**Comercializado por:**  
Applica Manufacturing, S. de R. L. de C.V.  
Presidente Mazarik No111, 1er Piso  
Col. Chapultepec Morales, Mexico D.F  
Deleg. Miguel Hidalgo  
CP 11570  
MEXICO

### Servicio y Reparación

Art. 123 No. 95  
Col. Centro, C.P. 06050  
Deleg. Cuauhtemoc

### Servicio al Consumidor,

Venta de Refacciones y Accesorios  
01 800 714 2503

## Código de fecha / Date Code

Registre su producto por Internet en [www.prodprotect.com/applica](http://www.prodprotect.com/applica) y tendrá la oportunidad de GANAR \$100,000!  
Solamente para residentes de EE.UU

Accesorios/Partes (EE.UU./Canadá)  
1-800-738-0245

850 W 120 V<sup>~</sup> 60 Hz

**BLACK&DECKER** es una marca registrada de The Black & Decker Corporation,  
Towson, Maryland, E.U.

Fabricado en la República Popular de China  
Impreso en la República Popular de China

### Importado por / Imported by:

#### APPLICA AMERICAS, INC.

Av. Juan B Justo 637 Piso 10  
(C1425FSA) Ciudad Autonoma de Buenos Aires  
Argentina

C.U.I.T No. 30-69729892-0

### Importado por / Imported by:

#### APPLICA MANUFACTURING, S. DE R. L. DE C. V.

Presidente Mazarik No111, 1er Piso  
Col. Chapultepec Morales, Mexico D.F  
Deleg. Miguel Hidalgo  
CP 11570  
MEXICO

Teléfono: (55) 5263-9900

**Del interior marque sin costo**  
01 (800) 714 2503

**Veillez lire et conserver ce guide d'entretien et d'utilisation.**

## IMPORTANTES MISES EN GARDE

Lorsqu'on utilise un appareil électrique, il faut toujours respecter certaines règles de sécurité fondamentales afin de minimiser les risques d'incendie, de secousses électriques ou de blessures, notamment les suivantes.

- Lire toutes les directives.
- Ne pas toucher aux surfaces chaudes; utiliser les poignées et les boutons.
- Afin d'éviter les risques de secousses électriques, ne pas immerger le cordon, la fiche ni l'appareil.
- Exercer une étroite surveillance lorsqu'on utilise l'appareil près d'un enfant ou que ce dernier s'en sert.
- Débrancher l'appareil avant de le nettoyer et lorsqu'on ne s'en sert pas. Laisser l'appareil refroidir avant d'enlever ou de remettre des accessoires, et avant de nettoyer l'appareil.
- Ne pas utiliser un appareil dont la fiche ou le cordon est abîmé, qui présente un problème de fonctionnement ou qui est endommagé. Confier l'examen, la réparation ou le réglage de l'appareil au centre de service autorisé de la région. Ou composer le numéro sans frais approprié indiqué sur la page couverture du présent guide.
- L'utilisation d'accessoires non évalués avec l'appareil présente des risques de blessures.
- Ne pas utiliser à l'extérieur.
- Ne pas laisser pendre le cordon d'une table ou d'un comptoir, ni le laisser entrer en contact avec une surface chaude.
- Ne pas placer sur ni près d'une cuisinière au gaz ou à l'électricité chaude, ni dans un four réchauffé.
- Pour débrancher l'appareil, placer toutes les commandes à la position d'arrêt (0) et retirer la fiche de la prise.
- Utiliser l'appareil uniquement aux fins pour lesquelles il a été conçu.
- Garder le couvercle sur la carafe lorsque l'appareil est utilisé.
- Des brûlures peuvent de produire si le couvercle de la carafe est retiré pendant les cycles d'infusion.

- La carafe est conçue pour servir avec l'appareil. Ne jamais s'en servir sur une cuisinière.
- Ne pas déposer la carafe chaude sur une surface froide ou mouillée.
- Ne pas se servir de la carafe si le verre en est fêlé ou si la poignée est lâche ou affaiblie.
- Ne pas nettoyer la carafe avec des produits nettoyants abrasifs, de la laine d'acier ni tout autre produit abrasif.

## CONSERVER CES MESURES.

**Cet appareil est conçu pour un usage domestique seulement.**

### FICHE POLARISÉE (Modèles de 120 V seulement)

L'appareil est muni d'une fiche polarisée (une lame plus large que l'autre). Afin de minimiser les risques de secousses électriques, ce genre de fiche n'entre que d'une façon dans une prise polarisée. Lorsqu'on ne peut insérer la fiche à fond dans la prise, il faut tenter de le faire après avoir inversé les lames de côté. Si la fiche n'entre toujours pas dans la prise, il faut communiquer avec un électricien certifié. Il ne faut pas tenter de modifier la fiche.

### VIS INDESSERRABLE

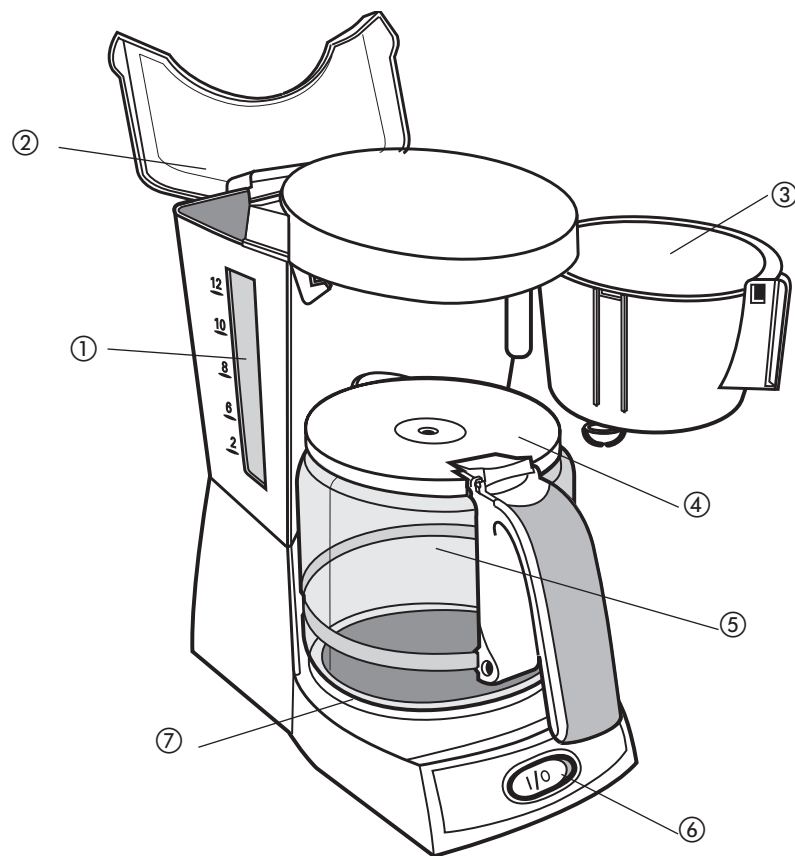
**Avertissement : L'appareil est doté d'une vis indesserrable empêchant l'enlèvement du couvercle extérieur. Pour réduire les risques d'incendie ou de secousses électriques, ne pas tenter de retirer le couvercle extérieur. L'utilisateur ne peut pas remplacer les pièces de l'appareil. En confier la réparation seulement au personnel des centres de service autorisés.**

### CORDON

La longueur du cordon de l'appareil a été choisie afin d'éviter les risques d'enchevêtrement et de trébuchement que présente un long cordon. Tout cordon de rallonge d'au moins 15 ampères (ou de 6 ampères, dans le cas des produits de 220 volts) peut servir au besoin. Lorsqu'on utilise un cordon de rallonge, s'assurer qu'il ne traverse pas la surface de travail ni qu'il pend de façon qu'on puisse trébucher dessus par inadvertance. Manipuler le cordon avec soin afin d'en prolonger la durée; éviter de tirer dessus et de le soumettre à des contraintes près des prises ou des connexions de l'appareil.

**Note :** Lorsque le cordon d'alimentation est endommagé, il faut le faire remplacer par du personnel qualifié ou, en Amérique latine, par le personnel d'un centre de service autorisé.

Le produit peut différer légèrement de celui illustré.



1. Réservoir d'eau avec marques de tasse

2. Réservoir à couvercle rabattable

† 3. Panier-filtre amovible (pièce n° DLX850-01 (blanc), pièce n° DLX850B-01 (noir))

† 4. Couvercle de la carafe (pièce n° DLX850-02 (blanc), pièce n° DLX850B-02 (noir))

† 5. Carafe Duralife™ 12 tasses / 60 oz / 1 800 ml (pièce n° GC850 (blanc), pièce n° GCB850 (noir))

6. Interrupteur de mise en marche/arrêt (ON/OFF)

7. Réchaud

Remarque : † indique que la pièce est remplaçable par l'utilisateur/amovible

## Utilisation

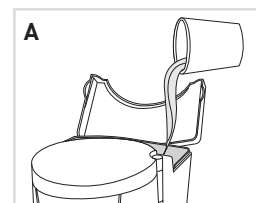
L'appareil est conçu pour une utilisation domestique seulement.

### PRÉPARATIFS

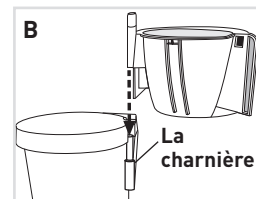
- Retirer tous les matériaux d'emballage, les étiquettes et la documentation.
- Veuillez aller à l'adresse [www.prodprotect.com/applica](http://www.prodprotect.com/applica) pour enregistrer votre garantie.
- Laver à la main dans de l'eau chaude savonneuse la carafe, le couvercle de la carafe et le panier. Bien rincer. Ces pièces peuvent également aller au lave-vaisselle, sur le plateau supérieur seulement.

### NETTOYAGE AVANT LA PREMIÈRE UTILISATION

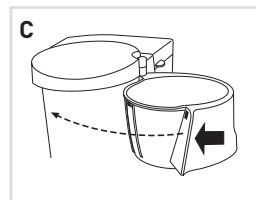
**Note :** Faire infuser de l'eau dans l'appareil pour enlever toute trace de les poussières et les résidus qui pourraient s'être accumulés dans l'appareil au moment de sa fabrication.



1. Ouvrir le couvercle et verser de l'eau froide dans le réservoir jusqu'à la marque de 12 tasses de l'indicateur de niveau (A). Éviter de trop remplir.
2. Refermer le couvercle.



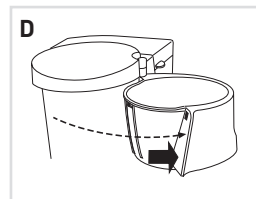
3. Insérer la charnière du panier-filtre dans le porte-panier (B).
4. Placer un filtre papier standard dans le panier-filtre (ne pas ajouter de mouture).



5. Saisir la petite poignée du panier-filtre et s'en servir pour fermer le panier (C).
6. Brancher la cafetière dans une prise de courant standard.
7. Placer la carafe avec son couvercle sur le réchaud et enfoncer l'interrupteur de mise en marche/arrêt à la position de mise en marche (I).
8. À la fin du cycle d'infusion, mettre la cafetière hors tension, jeter le filtre usé et l'eau de la carafe.

### INFUSION DU CAFÉ

1. Ouvrir le couvercle du réservoir.
2. Remplir la carafe avec de l'eau froide du robinet en utilisant les marques sur la carafe pour obtenir la quantité voulue; verser l'eau dans le réservoir à eau ne pas dépasser le niveau maximum de 12 tasses.



3. Saisir la petite poignée du panier-filtre et ouvrir ce dernier (D). Insérer un filtre papier standard dans le panier-filtre. Ajouter de la mouture dans le filtre (il est conseillé d'utiliser une cuillère à table comble de mouture pour chaque tasse de café).
4. Saisir la petite poignée du panier-filtre et fermer ce dernier (voir C).
5. Placer la carafe sur le réchaud.

6. Brancher la cafetière.
7. Pousser l'interrupteur à la position de mise en marche (I) et le témoin s'allume.  
Pour programmer l'infusion à une heure ultérieure, consulter la rubrique relative au réglage de l'heure et de la minuterie.
8. Remettre la carafe sur le réchaud lorsque le service est terminé afin de préserver la chaleur du café.

**Important : Ne pas ouvrir le panier-filtre pendant l'infusion.**

9. À la fin du service, remettre l'interrupteur à la position d'arrêt.

### FONCTION D'INTERRUPTION DE L'ÉCOULEMENT DU CAFÉ SNEAK A CUP<sup>MD</sup>

La fonction d'interruption de l'écoulement du café Sneak-A-Cup<sup>MD</sup> vous permet de vous servir une tasse de café de la carafe pendant l'infusion. Le processus d'infusion est interrompu lorsque la carafe est retirée de la cafetière. Il suffit de replacer la carafe sur le réchaud dans un délai de 30 secondes pour que l'infusion reprenne.



### CONSEILS RELATIFS À L'INFUSION DU CAFÉ

- Brasser le café dans la carafe avant de le servir pour mélanger les arômes de façon homogène.
- La concentration du café versé avant la fin du cycle d'infusion peut varier de celle du café obtenu une fois l'infusion terminée.
- Vous ne savez pas quelle quantité utiliser? Commencer par utiliser une mesure à café rase de café à mouture moyenne par tasse de café à infuser.
- Pour varier, ajouter un morceau de 5 cm (2 po) de zeste de citron ou d'orange au café moulu avant l'infusion.
- Pour les occasions spéciales, fouetter de la crème épaisse mélangée avec 1 ou 2 cuillerées à table de liqueur à la noisette, au chocolat ou à l'amande. Garnir chaque tasse de café de ce mélange.
- Ajouter une gousse de vanille d'environ 5 cm (2 po) dans le sucrier. Le goût obtenu est surprenant.
- Veiller à ce que la cafetière soit très propre. La saveur du café n'en sera que rehaussée.

## Entretien et nettoyage

L'appareil ne renferme aucune pièce qui peut être entretenue par l'utilisateur. En confier l'entretien à du personnel qualifié.

### NETTOYAGE

1. S'assurer que l'appareil est débranché et refroidi.
  2. Saisir la petite poignée du panier-filtre et ouvrir ce dernier.
- 
3. Pour retirer le panier-filtre, le soulever hors de la charnière (E).
  4. Jeter le filtre et la mouture.
  5. Faire ce qui suit pour nettoyer les pièces.
    - Le panier-filtre, la carafe et son couvercle vont sur le plateau supérieur du lave-vaisselle ou on peut les laver à la main dans de l'eau chaude savonneuse.
  6. Insérer le panier dans la charnière et le fermer.

### ENTRETIEN DE LA CAFETIÈRE

Une carafe endommagée présente des risques de brûlures. Faire ce qui suit pour en éviter le bris.

- Ne pas laisser tout le liquide s'évaporer de la carafe qui se trouve sur le réchaud et ne pas réchauffer la carafe vide.
- Jeter la carafe si elle est moindrement endommagée. Une fêlure présente des risques de bris.
- Ne jamais utiliser des produits nettoyants ni des tampons à récurer abrasifs car ceux-ci peuvent égratigner et affaiblir le verre.
- Ne pas déposer la carafe sur ou près d'une cuisinière au gaz ou à l'électricité chaude, d'un four réchauffé, ni d'un micro-ondes.
- Manipuler avec soin et éviter les coups brusques.

### DÉPÔTS DE MINÉRAUX ET BLOCAGE

Des dépôts de minéraux dus à la dureté de l'eau peuvent bloquer l'appareil. Il est temps de nettoyer l'appareil lorsque celui-ci génère une vapeur excessive ou lorsque l'infusion prend plus de temps. Il est recommandé de faire un nettoyage à chaque mois.

1. Verser dans le réservoir du vinaigre blanc jusqu'à la marque de 6 tasses. Ajouter de l'eau froide jusqu'à la marque de 10 tasses. Refermer le couvercle du réservoir.
2. Utiliser la petite poignée pour ouvrir le panier-filtre.
3. Insérer un filtre en papier dans le panier et fermer ce dernier. S'assurer que le panier-filtre s'enclenche. Déposer la carafe vide sur le réchaud.
4. Mettre l'appareil en marche et laisser la moitié de la solution infuser. Arrêter l'appareil et laisser tremper pendant au moins 15 minutes pour ramollir les dépôts de minéraux.
5. Remettre l'appareil en marche. Laisser infuser le reste de la solution.
6. À la fin de l'infusion de la solution vinaigrée, jeter le filtre, vider la carafe et la rincer à l'eau propre.
7. Remplir le réservoir de nouveau d'eau froide jusqu'à la marque de 10 tasses, remettre la carafe vide en place, déposer un filtre en papier dans le panier-filtre et commencer un nouveau cycle d'infusion pour rincer toute trace de la solution vinaigrée.
8. Laver le panier-filtre, la carafe et le couvercle selon les consignes de la rubrique relative au nettoyage.



### AVERTISSEMENT

**RISQUES D'INCENDIE OU DE SECOURS ÉLECTRIQUES.  
NE PAS OUVRIR.**

L'éclair représente une tension dangereuse. Le point d'exclamation indique qu'il s'agit d'importantes consignes d'entretien. Voir plus bas.

**Avertissement : Afin d'éviter les risques d'incendie ou de secousses électriques, ne pas retirer le couvercle de la cafetière. L'utilisateur ne peut réparer aucune des pièces internes. En confier les réparations uniquement au personnel d'un centre de service autorisé.**



# DÉPANNAGE

PROBLÈME	CAUSE POSSIBLE	SOLUTION
La cafetière ne s'allume pas.	La cafetière n'est pas branchée.	Vérifier si la cafetière est branchée dans une prise de courant fonctionnelle et si le bouton marche/arrêt (I/O) a été enfoncé.
La cafetière fuit.	<ul style="list-style-type: none"> <li>Le réservoir à eau est peut-être rempli au-delà de sa capacité.</li> <li>La carafe n'est peut-être pas bien placée sur le réchaud.</li> </ul>	<ul style="list-style-type: none"> <li>Vérifier si le réservoir à eau a été rempli au-delà de la ligne de remplissage maximal (12).</li> <li>Vérifier si la carafe est bien placée sur le réchaud et si elle est centrée sous le support du panier-filtre.</li> </ul>
L'infusion prend trop de temps.	La cafetière peut avoir besoin d'être nettoyée.	Suivre la procédure dans la section « ENTRETIEN ET NETTOYAGE ».
L'infusion du café ne commence pas.	Le réservoir à eau est peut-être vide.	Vérifier si le réservoir à eau est assez rempli pour produire le nombre de tasses de café désiré.
La cafetière ne donne que de l'eau claire.	Il n'y a peut-être pas de café moulu dans le panier d'infusion amovible.	Ajouter une quantité de café moulu suffisante dans le filtre en papier ou dans le filtre doré du panier d'infusion amovible.
Le panier d'infusion déborde.	La carafe est peut-être mal centrée sur le réchaud.	Retirer la carafe, puis la replacer sur le réchaud afin qu'elle repose à l'intérieur des sillons du réchaud.
Il y a du marc de café dans le café infusé.	Le filtre et/ou le panier d'infusion sont mal placés.	Insérer le filtre en papier ou le filtre doré dans le panier d'infusion, puis insérer correctement le panier d'infusion dans le porte-panier d'infusion.

## BESOIN D'AIDE?

Pour communiquer avec les services d'entretien ou de réparation, ou pour adresser toute question relative au produit, composer le numéro sans frais approprié indiqué sur la page couverture. Ne pas retourner le produit où il a été acheté. Ne pas poster le produit au fabricant ni le porter dans un centre de service. On peut également consulter le site web indiqué sur la page couverture.

### Garantie limitée de deux ans

(Valable seulement aux États-Unis et au Canada)

#### Quelle est la couverture?

- Tout défaut de main-d'oeuvre ou de matériau; toutefois, la responsabilité de la société applica se limite au prix d'achat du produit.

#### Quelle est la durée?

- Deux ans après l'achat original.

#### Quelle aide offrons nous?

- Remplacement par un produit raisonnablement semblable nouveau ou réusiné.

#### Comment se prévaut-on du service?

- Conserver son reçu de caisse comme preuve de la date d'achat.
- Visiter notre site web au [www.prodprotect.com/applica](http://www.prodprotect.com/applica), ou composer sans frais le 1 800 231-9786, pour obtenir des renseignements généraux relatifs à la garantie.
- On peut également communiquer avec le service des pièces et des accessoires au 1 800 738-0245.

#### Qu'est-ce que la garantie ne couvre pas?


- Des dommages dus à une utilisation commerciale.
- Des dommages causés par une mauvaise utilisation ou de la négligence.
- Des produits qui ont été modifiés.
- Des produits utilisés ou entretenus hors du pays où ils ont été achetés.
- Des pièces en verre et tout autre accessoire emballés avec le produit.
- Les frais de transport et de manutention reliés au remplacement du produit.
- Des dommages indirects (il faut toutefois prendre note que certains états ne permettent pas l'exclusion ni la limitation des dommages indirects).

#### Quelles lois régissent la garantie?

- Les modalités de la présente garantie donnent des droits légaux spécifiques. L'utilisateur peut également se prévaloir d'autres droits selon l'état ou la province qu'il habite.

Inscrivez votre produit en ligne à l'adresse [www.prodprotect.com/applica](http://www.prodprotect.com/applica)  
et courez la chance de GAGNER 100 000 \$!  
Aux résidents du É.-U seulement

Accessoires/Pièces (É.-U./Canada)  
1-800-738-0245

 **BLACK & DECKER** Marque de commerce déposée de la société The Black & Decker Corporation, Towson, Maryland, É.-U.

Fabriqués en République populaire de Chine  
Imprimés en République populaire de Chine





Copyright © 2009 Applica Consumer Products, Inc.

2009/2-17-37E/S/F



Printed on recycled paper.  
Impreso en papel reciclado.  
Imprimé sur du papier recyclé.

## Free Manuals Download Website

<http://myh66.com>

<http://usermanuals.us>

<http://www.somanuals.com>

<http://www.4manuals.cc>

<http://www.manual-lib.com>

<http://www.404manual.com>

<http://www.luxmanual.com>

<http://aubethermostatmanual.com>

Golf course search by state

<http://golfingnear.com>

Email search by domain

<http://emailbydomain.com>

Auto manuals search

<http://auto.somanuals.com>

TV manuals search

<http://tv.somanuals.com>