

Please Read and Save this Use and Care Book

Por favor lea este instructivo antes de usar el producto

Veillez lire et conserver ce guide d'entretien et d'utilisation

 **BLACK & DECKER**®

Toast-R-Oven™

Countertop Convection Oven

Horno de convección para el mostrador

Four à convection pour le comptoir



Register your product online at www.prodprotect.com/applica,
for a chance to WIN \$100,000!

Registre su producto en la Internet en el sitio
Web www.prodprotect.com/applica
y tendrá la oportunidad de GANAR \$100,000!

Inscrivez votre produit en ligne à l'adresse www.prodprotect.com/applica et
courez la chance de GAGNER 100 000 \$!



USA/Canada
Mexico

1-800-231-9786
01-800-714-2503

www.applicaconsumerproductsinc.com

Model
Modelo
Modèle

TRO4070

TRO4070B

Accessories/Parts (USA/Canada)
Accesorios/Partes (EE.UU./Canadá)
Accessoires/Pièces (É.-U./Canada)
1-800-738-0245

IMPORTANT SAFEGUARDS

When using electrical appliances, basic safety precautions should always be followed, including the following:

- Read all instructions.
- Do not touch hot surfaces. Use handles or knobs.
- To protect against risk of electrical shock, do not immerse cord, plug, or any non-removable parts of this oven in water or other liquid.
- Close supervision is necessary when any appliance is used by or near children.
- Unplug from outlet when not in use and before cleaning. Allow to cool before putting on or taking off parts.
- Do not operate any appliance with a damaged cord or plug or after the appliance malfunctions or is dropped or damaged in any manner. Return the appliance to the nearest authorized service facility for examination, repair, or electrical or mechanical adjustment. Or, call the appropriate toll-free number listed on the cover of this manual.
- The use of accessory attachments not recommended by the appliance manufacturer may cause injuries.
- Do not use outdoors.
- Do not let cord hang over edge of table or counter, or touch hot surfaces.
- Do not place on or near a hot gas or electrical burner, or in a heated oven.
- Extreme caution must be used when moving an appliance containing hot oil or other hot liquid.
- To disconnect, turn any control to "off", then remove plug from wall outlet.
- Do not use appliance for other than intended use.
- Oversize foods or metal utensils must not be inserted in this appliance, as they may create a fire or risk of electric shock.
- A fire may occur if the toaster oven is covered or touching flammable material including curtains, draperies, walls and the like, when in operation. Do not store any item on top of unit when in operation.
- Do not clean with metal scouring pads. Pieces can break off the pad and touch electrical parts resulting in a risk of electric shock.
- Extreme caution should be used when using containers constructed of other than metal or glass.
- Do not store any material, other than manufacturer's recommended accessories, in this oven when not in use.
- Do not place any of the following materials in the oven: paper, cardboard, plastic wrap, and the like.
- Do not cover crumb tray or any parts of the oven with metal foil. This will cause overheating of the oven.

- To stop toasting, broiling or baking turn the controls to OFF.
- Use extreme caution when removing tray or disposing of hot grease.

SAVE THESE INSTRUCTIONS.

GROUNDING PLUG

As a safety feature, this product is equipped with a grounded plug, which will only fit into a three-prong outlet. Do not attempt to defeat this safety feature. Improper connection of the grounding conductor may result in the risk of electric shock. Consult a qualified electrician if you are in doubt as to whether the outlet is properly grounded.

ELECTRICAL CORD

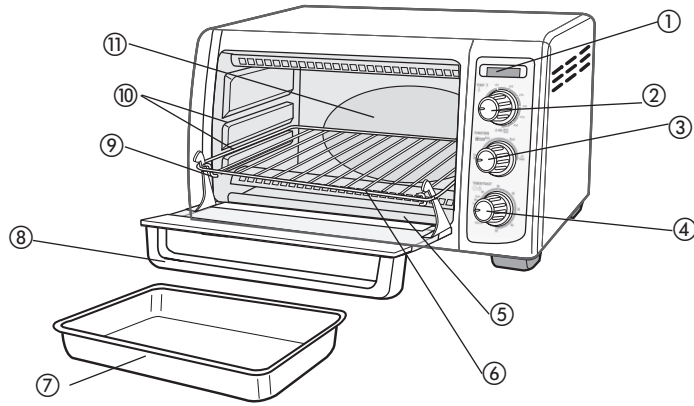
- a) A short power-supply cord is to be provided to reduce the risk resulting from becoming entangled in or tripping over a longer cord.
- b) Longer extension cords are available and may be used if care is exercised in their use.
- c) If an extension cord is used,
 - 1) The marked electrical rating of the cord set or extension cord should be at least as great as the electrical rating of the appliance, and
 - 2) The cord should be arranged so that it will not drape over the countertop or tabletop where it can be pulled on by children or tripped over unintentionally.If the appliance is of the grounded type, the extension cord should be a grounding-type 3-wire cord.

TAMPER-RESISTANT SCREW

Warning : This appliance is equipped with a tamper-resistant screw to prevent removal of the outer cover. To reduce the risk of fire or electric shock, **do not attempt to remove the outer cover.** There are no user-serviceable parts inside. Repair should be done only by authorized service personnel.

Note: If the power supply cord is damaged, it should be replaced by qualified personnel or in Latin America by an authorized service center.

Product may vary slightly from what is illustrated.

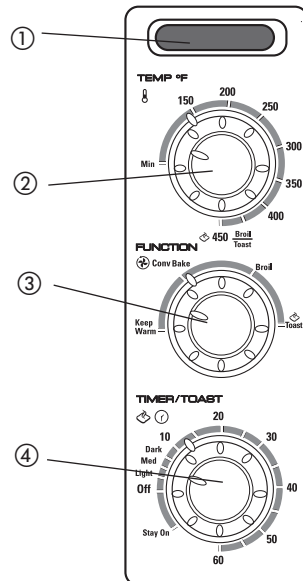


A

- | | |
|---|--|
| 1. Power indicator light | † 6. Slide rack/broil rack
(Part# TRO4050-02) |
| † 2. Temperature control
(Part# TRO4050-04) | † 7. Bake pan/drip tray
(Part# TRO4050-03) |
| † 3. Cooking FUNCTION selector
(Part# TRO4050-05) | 8. Door handle |
| † 4. 60-minute TIMER/TOAST
shade selector (Part# TRO4050-06) | 9. Slide rack support rails |
| † 5. Removable slide-out crumb tray
(Part# TRO4050-01) | 10. Rack slots |
| | 11. Extra-deep curved interior |
- †Consumer replaceable/removable parts

CONTROL PANEL

1. On indicator light
2. Temperature control
3. Cooking FUNCTION selector
4. 60-minute bake TIMER/TOAST shade selector



B

How to Use

This product is for household use only.

GETTING STARTED

- Remove packing materials and any stickers.
- Remove the slide rack and bake pan from oven.
- Wash in sudsy water, or in the dishwasher.
- Replace slide rack in oven.
- Select a location for the unit. Do not place unit under cabinets or too close to the wall to allow heat to flow without damaging counter space.

TOASTING

It is not necessary to preheat the oven for toasting.

1. Set temperature control to 450 Broil/Toast position.
2. Open oven door. Insert the slide rack into the **bottom slot**.
3. Place the toast directly on the slide rack and close the door.
4. Set the cooking FUNCTION selector to Toast.
5. Set the TIMER/TOAST shade selector as desired. For best results, select the medium setting for your first cycle, then adjust lighter or darker to suit your taste. The On indicator light comes on and stays on during the toasting cycle. When toasting is done, the signal bell sounds, the oven automatically shuts off and the On indicator light goes off.

Helpful Tip for Multiple Toasting Cycles

For best results, when making three or more consecutive batches of toast, allow a short cool down period between toasting cycles.

6. Open oven door and using oven mitt or pot holder, slide out rack to remove toast.

Important: Always use an oven mitt or pot holder to remove food from the oven as the door and the slide rack will be hot.

Useful Tips:

- You must turn Off the TIMER/TOAST shade selector if you want to discontinue toasting.
- When making more toast immediately after one toasting cycle, set the toast shade selector to a slightly lighter setting.

CONVECTION BAKING

Convection uses a fan to circulate heat evenly for consistently better cooking.

Note: This oven has been designed with preset temperatures to accommodate convection baking.

1. Consult the Convection Baking Guide (pages 5 and 6) for the type of food you want to cook.

Note: For best results, when baking or cooking, always preheat the oven at least 10 minutes at the desired temperature setting.

2. Open oven door. Insert the slide rack into the **bottom slot**.
3. Set the temperature control to the desired temperature setting.
4. Set the cooking FUNCTION selector to Conv. Bake.

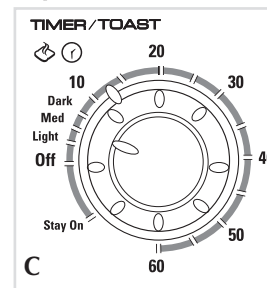
Important: You must set the timer or select Stay On for the oven to function.

5. Set the timer to desired number of minutes including preheat time or to Stay On.

Tip: To set the timer to the Stay On setting, if you want to control cooking time or need to cook your food longer than 60 minutes, turn the timer counterclockwise (C).

- The On indicator light comes on and stays on during cooking cycle.
- The heating elements cycle on and off to maintain the temperature.

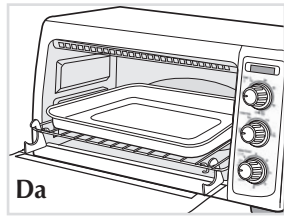
Note: Be sure the top edge of the food or container is at least 1" (2.54 cm) away from the upper heating elements.



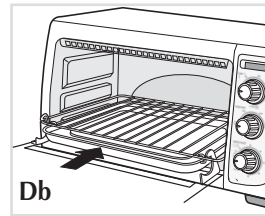
C

6. You can cook your food two ways:

- In the bake pan placed on the slide rack, OR
- Directly on the slide rack using the bake pan as a drip tray, inserted in the rack support rails underneath the slide rack (**Da & Db**).



OR



7. Close oven door.
8. Cook food according to recipe or package instructions and check at minimum time to see if it is done.
9. Once cooking cycle is finished:
 - If the timer was on, the signal bell sounds, the On indicator light goes off and the oven automatically turns off.
 - If the timer was not on, turn the TIMER/TOAST selector from the Stay On position to the Off position. The On indicator light goes off.
10. Open oven door and using oven mitt or pot holder, slide out rack to remove food.

Important: Always use an oven mitt or pot holder to remove food from the oven as the door and the slide rack will be hot.

CONVECTION BAKING GUIDE

NOTE: When baking foods, use the upper or lower rack position.

FOOD	AMOUNT	TEMPERATURE/TIME	PROCEDURE
Chicken pieces	to fit bake pan (1- 4 pieces)	375°F (191 °C) 45-55 minutes	Bake until chicken registers 180°F (82 °C) on meat thermometer.
Ham, lamb, pork chops, fish fillet or steak	to fit bake pan (1-4 chops or steaks)	325°F (163 °C) or follow favorite recipe	Bake until done as desired.
Cookies (recipe or refrigerated slice & bake, drop or pre-cut)	6-8 cookies	Follow package or recipe directions	Arrange in bake pan and place on top of slide rack. Bake until done and browned as desired.
Biscuits, dinner rolls (recipe or refrigerated)	to fit bake pan	Follow package or recipe directions	Arrange in bake pan and place on top of slide rack. Bake until done and browned as desired.

FOOD	AMOUNT	TEMPERATURE/TIME	PROCEDURE
White or sweet potatoes	1-6 medium potatoes	400°F (204 °C) 1 to 1-1/4 hours	Wash and pierce potatoes. Place directly on slide rack.
Frozen French fries, onion rings, other frozen (breaded and fried foods), frozen snacks	single layer to fit bake pan	Follow package directions	Arrange in bake pan and place on top of slide rack. Check frequently to prevent over browning.
Individual frozen pizza		Follow package directions	Place pizza directly on slide rack for a crisp crust, in bake pan for a softer crust.

BROILING

1. Use the Broiling Guide (page 7) for cooking times.
2. Set temperature control to 450 Broil/Toast position. The oven does not need to be preheated for broiling.
3. Insert slide rack into upper slot. Set the cooking FUNCTION selector to Broil.
4. Open oven door and use the bake pan as a drip tray. Insert it under the slide rack on the rack support rails (Db).

Important: You must set the timer or select Stay On for the oven to function.

5. Set the timer to desire number of minutes or to Stay On, if you want to control cooking time or need to cook your food longer than 60 minutes.
 6. Place food on the slide rack.
- Note:** Be sure the top edge of the food or container is at least 1" (2.54 cm) away from the upper heating elements.

Important: Food should not extend beyond the edges of the bake pan to avoid drippings from falling onto the heating elements.

7. The first time you broil an item in this oven, cook according to recipe or package instructions and check at minimum time to see if it is done.
8. When finished broiling.
 - If the timer was on, the signal bell sounds, the On indicator light goes off and the oven automatically turns off.
 - If the timer was not on, turn the TIMER/TOAST selector from the Stay On position to the Off position. The On indicator light goes off.
9. Using an oven mitt or pot holder, slide out broiling rack together with bake pan to remove food.

Important: Always use an oven mitt or pot holder to remove food from the oven as the door and the slide rack will be hot.

BROILING GUIDE

NOTE: When broiling foods, slide the bake pan/drip tray underneath the slide rack/broil rack using the rack support rails. Insert rack into upper slot. Broiling times are approximate. For best results do not undercook ground beef, fish or poultry.

FOOD	AMOUNT	TIME	PROCEDURE
Chicken pieces	1-4 pieces	30-40 minutes	Arrange pieces skin-side down; turn after 15-25 minutes. Continue broiling until 170°F (77 °C) on meat thermometer, or juices run clear.
Frankfurters	1-8 frankfurters	8-12 minutes	For uniform browning, turn frequently.
Hamburgers	1-4 (1/4 lb. (0,11 kg) each)	12-18 minutes	Turn after 8 minutes; continue broiling until 145°F (63 °C) on meat thermometer, or done as desired.
Beef steaks	1-2 (3/4" (19mm) thick)	18-25 minutes	Turn after 10 minutes; continue broiling until 145°F (63 °C) on meat thermometer, or done as desired.
Pork chops	1-4 (3/4" (19mm) thick)	20-30 minutes	Turn after 12 minutes; continue broiling until 160°F (71 °C) on meat thermometer.
Fish steaks	1-4 (1" (26mm) thick)	10-18 minutes	Broil until fish flakes easily with a fork or 145°F (63 °C) on meat thermometer.
Open-faced cheese sandwich	1-4 slices	7-10 minutes	For crispier sandwich, toast bread first. Top bread with tomato and sliced cheese, if desired. Broil until tomato is hot and cheese is melted.

KEEP WARM FUNCTION

1. Set temperature control to Min setting (minimum temperature).
2. Set cooking FUNCTION selector to Keep Warm position.
3. Set the timer to desired number of minutes or to Stay On position.

Care and Cleaning

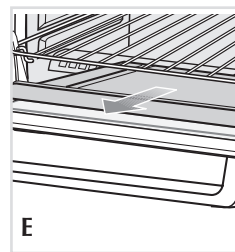
This product contains no user serviceable parts. Refer service to qualified service personnel.

CLEANING YOUR OVEN

IMPORTANT: Before cleaning any part, be sure the oven is off, unplugged, and cool. Always dry parts thoroughly before using oven after cleaning.

1. Clean the glass door with a sponge, soft cloth or nylon pad and sudsy water. Do not use a spray glass cleaner.
2. To remove the slide rack, open the door, pull the rack forward and out. Wash the slide rack in sudsy water or in a dishwasher. To remove stubborn spots, use a polyester or nylon pad.
3. Wash the bake pan in sudsy water or in dishwasher. To minimize scratching, use a polyester or nylon pad.

Crumb Tray



1. Open oven door and pull out crumb tray (E).
2. Dispose of crumbs and wipe the tray with a dampened cloth, or wash in sudsy water or in the dishwasher.
3. Be sure to dry thoroughly before inserting the tray back into the oven.

Exterior Surfaces

Important: The oven top surface gets hot, be sure the oven has cooled completely before cleaning.

Wipe the top and exterior walls with a damp cloth or sponge. Dry thoroughly.

Cooking Containers

Metal, ovenproof glass or ceramic bakeware without glass lids can be used in your oven. Follow manufacturer's instructions. Be sure the top edge of the container is at least 1" (2.54 cm) away from the upper heating elements.

INSTRUCCIONES IMPORTANTES DE SEGURIDAD

Cuando se utilizan aparatos eléctricos, se debe respetar ciertas reglas de seguridad, incluyendo las siguientes:

- Por favor lea todas las instrucciones.
- No toque las superficies calientes. Utilice las asas o las perillas.
- A fin de protegerse contra un choque eléctrico, no sumerja el cable, el enchufe ni ninguna pieza no removible del aparato.
- Se debe tomar mucha precaución cuando el producto se utilice por o en la presencia de menores de edad.
- Desconecte el aparato de la toma de corriente cuando no esté en uso y antes de limpiarlo. Espere que el aparato se enfríe antes de instalar o retirar los accesorios.
- No se debe utilizar ningún aparato eléctrico que tenga el cable o el enchufe averiado, que presente un problema de funcionamiento o que esté dañado. Devuelva el aparato al centro de servicio autorizado más cercano para que lo examinen, reparen o ajusten. También puede llamar gratis al número apropiado que aparece en la cubierta de este manual.
- El uso de accesorios no recomendados por el fabricante presenta el riesgo de lesiones personales.
- No utilice el aparato a la intemperie.
- No permita que el cable cuelgue del borde de la mesa o del mostrador ni que entre en contacto con superficies calientes.
- No coloque el tostador sobre ni cerca de una hornilla de gas o eléctrica, ni cerca de un horno caliente.
- Se debe ejercer mucha prudencia al transportar un aparato con aceite u otros líquidos calientes.
- Ajuste todos los controles a la posición de apagado (OFF) antes de enchufar o desconectar el aparato.
- Este aparato se debe utilizar solamente con el fin previsto.
- A fin de evitar el riesgo de incendio o choque eléctrico, jamás introduzca alimentos demasiado grandes ni utensilios de metal adentro del aparato.
- Existe el riesgo de incendio si el aparato permanece cubierto mientras se encuentra en funcionamiento o si éste llegase a entrar en contacto con cualquier material inflamable, incluyendo las cortinas y las paredes. Asegúrese de no colocar nada sobre el aparato mientras se encuentre en uso.
- No utilice almohadillas de fibras metálicas para limpiar el aparato. Las fibras metálicas podrían entrar en contacto con las piezas eléctricas del aparato, resultando en el riesgo de un choque eléctrico.

- Tenga mucho cuidado al utilizar recipientes que no sean de metal ni de vidrio.
- Cuando este aparato no se encuentre en funcionamiento no se debe almacenar nada aparte de los accesorios recomendados por el fabricante.
- No introduzca los siguientes materiales en el aparato: papel, cartón, envolturas plásticas ni materiales semejantes.
- A fin de evitar que el aparato se sobrecaliente, no cubra la bandeja para los residuos como ninguna otra superficie del aparato con papel de aluminio.
- Para interrumpir el tostado, asado u horneado de los alimentos, gire el control a la posición de apagado (OFF).
- Ejerza extrema precaución al mover la bandeja o al desechar la grasa caliente.

CONSERVE ESTAS INSTRUCCIONES.

ENCHUFE DE TIERRA

Como medida de seguridad, este producto cuenta con un enchufe de tierra que tiene tres contactos. No trate de alterar esta medida de seguridad. La conexión inapropiada del conductor de tierra puede resultar en un riesgo de choque eléctrico. Si tiene alguna duda, consulte con un electricista calificado para asegurarse de que la toma de corriente sea una de tierra.

CABLE ELÉCTRICO

- a) El producto debe proporcionarse con un cable corto para reducir el riesgo de enredarse o de tropezar con un cable largo.
- b) Se encuentran disponibles cables de extensión más largos, que es posible utilizar si se emplea el cuidado debido.
- c) Si se utiliza un cable de extensión,
 - 1) El voltaje eléctrico del cable o del cable de extensión debe ser, como mínimo, igual al del voltaje del aparato, y
 - 2) El cable debe acomodarse de modo que no cuelgue del mostrador o de la mesa, para evitar que un niño tire del mismo o que alguien se tropiece accidentalmente.

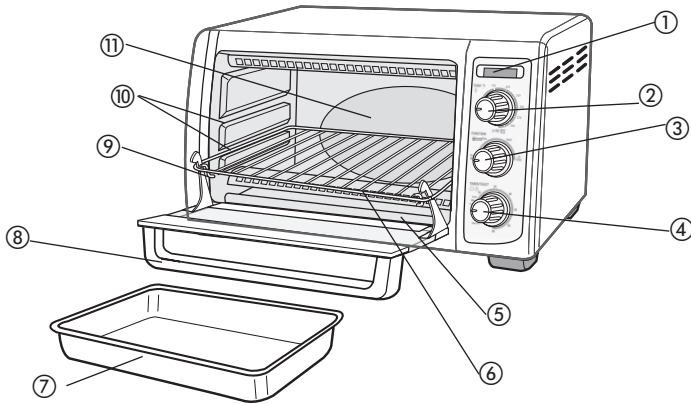
Si el aparato es del tipo que es conectado a tierra, el cable de extensión deberá ser un cable de tres alambres conectado a tierra.

TORNILLO DE SEGURIDAD

Advertencia: Este aparato cuenta con un tornillo de seguridad para evitar la remoción de la cubierta exterior del mismo. A fin de reducir el riesgo de incendio o de choque eléctrico, **por favor no trate de remover la cubierta exterior**. Este producto no contiene piezas reparables por el consumidor. Toda reparación se debe llevar a cabo únicamente por personal de servicio autorizado

Nota: Si el cordón de alimentación es dañado, en América Latina debe sustituirse por personal calificado o por el centro de servicio autorizado.

Este producto puede variar ligeramente del que aparece ilustrado.



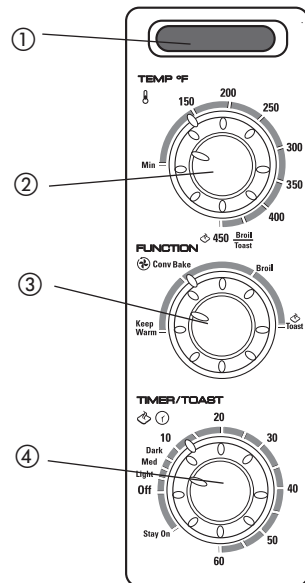
A

- | | |
|---|---|
| 1. Luz indicadora de funcionamiento | † 6. Parrilla corredera/parrilla de asar
(Pieza N° TRO4050-02) |
| † 2. Control de temperatura
(Pieza N° TRO4050-04) | † 7. Bandeja de hornear y de goteo
(Pieza N° TRO4050-03) |
| † 3. Control de las funciones de cocción
(Pieza N° TRO4050-05) | 8. Asa de la puerta |
| † 4. Cronómetro de 60 minutos y selector
del grado de tostado
(Pieza N° TRO4050-06) | 9. Carriles de descanso de la parrilla
corredera |
| † 5. Bandeja corredera para los residuos
(Pieza N° TRO4050-01) | 10. Ranuras de la parrilla |
| | 11. Interior curvo, extra profundo
† Reemplazable/removible por el
consumidor |

PANEL DE CONTROLES

1. Luz indicadora de funcionamiento
2. Control de temperatura
3. Control de las funciones de cocción
4. Cronómetro de 60 minutos y selector del grado de tostado

B



Como usar

Este producto es solamente para uso doméstico.

PREPARARSE PARA UTILIZAR

- Retire el material de empaque y toda calcomanía.
- Retire también la parrilla corredera/parrilla de asar y la bandeja de hornear.
- Lave con agua jabonada, o en la máquina de lavaplatos.
- Instale la parrilla corredera/parrilla de asar en el horno.
- Escoja el lugar apropiado para el aparato. No coloque el aparato debajo de los gabinetes ni demasiado cerca de la pared, a fin de asegurar que el flujo de calor no perjudique el mostrador.

PARA TOSTAR

No se requiere precalentar el horno para tostar.

1. Ajuste el control selector de temperatura a la posición de 450 asar/tostar (450 Broil/Toast).
2. Abra la puerta del aparato. Deslice la parrilla corredera de asar en las **ranuras inferiores**.
3. Coloque las rebanadas de pan directamente sobre la parrilla corredera y cierre la puerta.
4. Ajuste el control de funciones de cocción a la posición de tostar (Toast).
5. Ajuste el selector del grado de tostado al gusto. Para optimizar los resultados, se recomienda ajustar el selector a la posición media durante el primer ciclo de funcionamiento y luego, uno puede escoger entre claro y oscuro para los demás ciclos. La luz indicadora de funcionamiento se enciende y permanece así durante el ciclo de tostado. Al finalizar el ciclo de tostado, suena un timbre de aviso, el horno se apaga automáticamente y la luz indicadora de funcionamiento se apaga.

Consejo para los múltiples ciclos de tostado

Para mejor resultado, cuando repita tres o más ciclos de tostado, permita un período corto de enfriamiento entre cada ciclo.

6. Abra la puerta del horno y con la ayuda de un protector o guante de cocina, deslice la parrilla hacia afuera para retirar las tostadas.

Importante: La puerta de vidrio y la parrilla corredera se calientan. Utilice un protector o un guante de cocina para retirar los alimentos del horno.

Consejos prácticos

- Uno debe apagar el selector del grado de tostado para anular el ciclo de tostado.
- Para continuar tostando inmediatamente después de finalizar el primer ciclo de tostado, ajuste el selector a una posición un poco más clara.

COCCIÓN POR CONVECCIÓN

Al cocinar por convección, el horno utiliza un ventilador que circula el calor y lo distribuye con uniformidad para optimizar los resultados de cocción.

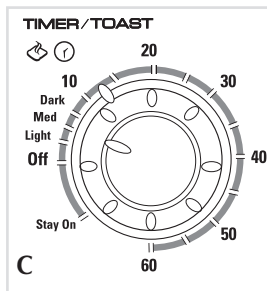
Nota: Este horno a sido diseñado con temperaturas preajustadas para cocción por convección.

1. Consulte la guía de cocción por convección (páginas 14 y 15) para el tipo de alimento que desea cocinar.

Nota: Para optimizar los resultados de cocción, se recomienda precalentar el horno durante 10 minutos a la temperatura deseada.

2. Abra la puerta del horno. Deslice la parrilla corredera.
3. Ajuste el control de temperatura a la temperatura deseada.
4. Ajuste el control de las funciones de cocción a la posición de cocción por convección (Conv. Bake).

Importante: Para activar el horno, se requiere ajustar el cronómetro a una temperatura determinada o seleccionar la posición de funcionamiento continuo (Stay On).



5. Ajuste el cronómetro al tiempo deseado, incluyendo el período de precalentamiento o seleccione la posición de funcionamiento continuo (Stay On) (C).

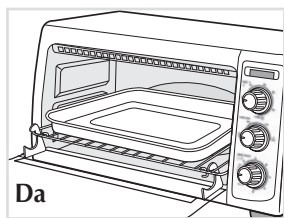
Consejo: Si usted desea controlar el tiempo de cocción o si los alimentos requieren más de 60 minutos de cocción, gire el cronómetro hacia la izquierda para seleccionar la posición de funcionamiento continuo (Stay On).

- La luz indicadora de funcionamiento se enciende y permanece así durante el ciclo de cocción.
- Los elementos calefactores funcionan de manera intermitente a fin de mantener la temperatura.

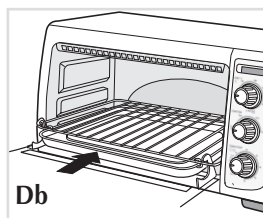
Nota: Asegúrese de que haya un espacio mínimo de 2,54 cm (1") entre los alimentos o el borde superior del recipiente y los elementos calefactores.

6. Usted puede cocinar los alimentos de dos maneras:

- En la bandeja de hornear colocada sobre la parrilla corrediza, O
- Directamente sobre la parrilla corrediza, utilizando la bandeja de hornear como bandeja de goteo, insertada en los carriles de descanso debajo de la parrilla corrediza (Da y Db).



O



7. Cierre la puerta del horno.
8. La primera vez que prepare algo en este horno, cocine según la receta o las instrucciones del paquete y supervise los alimentos al cumplirse el tiempo mínimo de cocción.
9. Al finalizar el ciclo de cocción:
 - Si usted programa el cronómetro, la señal suena y la luz indicadora de funcionamiento y el horno se apagan automáticamente.
 - Si usted no ha programado el cronómetro, gire el selector de tostar-cronómetro (TIMER/TOAST) a la posición de apagado (OFF). La luz indicadora de funcionamiento se apaga.
10. Abra la puerta del horno y con la ayuda de un protector o guante de cocina, deslice la parrilla hacia afuera para retirar los alimentos.

Importante: Siempre utilice un guante de cocina para retirar los alimentos del horno ya que la puerta de vidrio y la parrilla corrediza se calientan.

GUÍA COCCIÓN POR CONVECCIÓN

Nota: Para cocinar los alimentos, se puede utilizar las dos posiciones de la parrilla, la más alta o la más baja.

ALIMENTO	CANTIDAD	TEMPERATURA/ DURACIÓN	PROCEDIMIENTO
Porciones de pollo	Según la capacidad de la bandeja de hornear (de 1 a 4 piezas)	191 °C (375 °F) de 45 a 55 minutos	Hornear hasta que el termómetro de cocinar indique 82 °C (180 °F)
Jamón, cordero o chuletas de cerdo, filetes de pescado o bistec	Según la capacidad de la bandeja de hornear (de 1 a 4 chuletas o filetes)	Cocinar a 163 °C (325 °F) o preparar al gusto.	Hornear al gusto.
Galletas (de receta o de masa refrigerada para cortar y hornear, de cucharada o precortadas)	De 6 a 8 galletas	Según las direcciones del paquete o la receta	Acomodar en la bandeja de hornear y colocar encima de la parrilla corrediza. Hornear hasta quedar bien cocidas y dorar al gusto.
Bischochos, panes pequeños (de receta o de masa refrigerada)	Según la capacidad de la bandeja de hornear	Según las direcciones del paquete o la receta	Acomodar en la bandeja directamente sobre la parrilla corrediza. Hornear hasta quedar bien cocidos y dorar al gusto.
Papas o camotes	De 1 a 6 medianos	Cocinar a 204 °C (400 °F) de 1 a 1-1/4 hora.	Acomodar en la bandeja directamente sobre la parrilla corrediza. Lavar y pinchar las papas. Colocar las papas directamente sobre la parrilla corrediza, rieles orientado hacia arriba.

ALIMENTO	CANTIDAD	TEMPERATURA/ DURACIÓN	PROCEDIMIENTO
Papas fritas congeladas, aros de cebolla y otros alimentos congelados (rebozados y fritos, bocadillos congelados)	Una capa, según la capacidad de la bandeja de hornear	Según las direcciones del paquete o la receta	Acomodar en la bandeja directamente sobre la parrilla corrediza, carril orientado hacia arriba. Supervisar frecuentemente para no dorar en exceso.
Pizzas individuales congeladas		Según las direcciones del paquete	Colocar la pizza directamente sobre la parrilla corrediza para una corteza crujiente, en la bandeja de hornear para una corteza mas suave.

PARA ASAR

1. Consulte el tiempo de cocción recomendado en la guía de asar (página 16).
2. Gire el control selector de temperatura a la posición 450 asar/tostar (450 Broil/Toast). No se requiere precalentar el horno para asar.
3. Deslice la parrilla corrediza en la posición superior. Ajuste el control de las funciones de cocción a la posición de asar (Broil).
4. Abra la puerta del horno y utilice la bandeja de hornear como bandeja de goteo, instalándola debajo de la parrilla corrediza, sobre los carriles de descanso.

Importante: Para activar el horno, se requiere ajustar el cronómetro a una temperatura determinada o seleccionar la posición de funcionamiento continuo (Stay On).

5. Ajuste el cronómetro al tiempo deseado, o seleccione la posición de funcionamiento continuo (Stay On), si desea controlar el tiempo de cocción o si los alimentos requieren más de 60 minutos de cocción.
6. Coloque los alimentos sobre la parrilla corrediza/parrilla de asar.

Nota: Asegúrese de que haya un espacio mínimo de 2,54 cm (1") entre los alimentos o el borde superior del recipiente y los elementos calefactores.

Importante: Los alimentos no deben de sobrepasar los bordes de la bandeja de hornear, a fin de evitar exceso de goteo sobre los elementos calefactores.

7. La primera vez que prepare algo en este horno, cocine según la receta o las instrucciones del paquete y supervise los alimentos al cumplirse el tiempo mínimo de cocción.
8. Al finalizar el ciclo de cocción:
 - Si usted programa el cronómetro, la señal suena y la luz indicadora de funcionamiento y el horno se apagan automáticamente.
 - Si usted no ha programado el cronómetro, gire el selector de tostar-cronómetro (TIMER/TOAST) a la posición de apagado (OFF). La luz indicadora de funcionamiento se apaga.
9. Abra la puerta del horno y con la ayuda de un protector o guante de cocina, deslice la parrilla corrediza hacia afuera para retirar los alimentos.

Importante: Siempre utilice un guante de cocina para retirar los alimentos del horno ya que la puerta de vidrio y la parrilla corrediza se calientan.

GUÍA DE ASAR

NOTA: Para asar los alimentos, deslice la bandeja de hornear en los carriles de descanso, debajo de la parrilla corrediza. Coloque la parrilla en la posición superior. El tiempo de cocción recomendado es aproximado. Para optimizar los resultados de cocción, uno debe de asegurar que la carne de res, de cerdo, de aves y de pescado quede bien cocida.

ALIMENTO	CANTIDAD	DURACIÓN	PROCEDIMIENTO
Porciones de Pollo	1 a 4 piezas	30-40 minutos	Acomodar las piezas de pollo con la piel hacia abajo; voltear al cabo de 15 a 25 minutos, asando hasta que el termómetro para carne indique 77 °C (170 °F) o hasta que los jugos corran sin color.
Salchichas	1-8 salchichas	8-12 minutos	Voltear con frecuencia para un dorado uniforme.
Hamburguesas	1 a 4 de 0, 11 kg (1/4 lb)	12-18 minutos	Voltear al cabo de 8 minutos; cocinar hasta que el termómetro de carne indique 63 °C (145 °F) o cocine al gusto.
Bistec	1 a 2 con grosor de 19 mm (3/4")	18-25 minutos	Voltear al cabo de 10 minutos; cocinar hasta que el termómetro de carne indique 63 °C (145 °F) o cocine al gusto.
Chuletas de cerdo	1 a 4 con grosor de 19 mm (3/4")	20-30 minutos	Voltear al cabo de 12 minutos; cocinar hasta que el termómetro de carne indique 71 °C (160 °F)
Filetes de pescado	1 a 4 con grosor 26 mm (1")	10 -18 minutos	Cocinar hasta poder separar fácilmente con un tenedor o hasta que el termómetro de carne indique 145 °F.
Sándwich de queso, sin tapa	1 a 4 rebanadas	7-10 minutos	Para un sándwich más crujiente, se debe tostar primero el pan. Coronar el pan con rebanadas de tomate y queso, al gusto. Cocinar hasta que el tomate se caliente y el queso se haya derretido.

PARA MANTENER CALIENTE LOS ALIMENTOS

1. Ajuste el control de temperatura a la posición (MIN).
2. Ajuste el control de las funciones de cocción a la posición "KEEP WARM" (mantener caliente).
3. Ajuste el cronómetro según el tiempo que desea mantener calientes los alimentos. Escoja la posición "STAY ON" (permanecer encendido), si desea llevar el tiempo personalmente o si tiene que mantener calientes los alimentos por más de 60 minutos.

Cuidado y limpieza

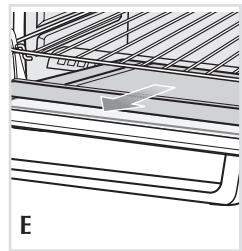
Este producto no contiene piezas reparables por el consumidor. Para servicio, acuda a personal calificado.

LIMPIEZA DEL HORNO

Importante: Apague el aparato, desconecte de la toma de corriente y permita que se enfríe antes de limpiar cualquier pieza. Después de lavadas, siempre seque bien todas las piezas antes de instalarlas para utilizar el horno nuevamente.

1. Limpie la puerta de vidrio con una esponja, una toalla suave, almohadilla de nailon y agua jabonada. No utilice rociadores de limpiar vidrios.
2. Lave la parrilla corrediza con agua caliente jabonada o en la máquina lavaplatos. Para remover las manchas persistentes, utilice una almohadilla de poliéster o de nailon.
3. Lave la bandeja de hornear con agua jabonada o en la máquina de lavaplatos. Utilice una almohadilla de poliéster o de nailon a fin de evitar los rayones.

Bandeja de residuos



1. Abra la puerta del horno y hale la bandeja para retirarla (E).
2. Deseche las migajas y limpie la bandeja con un paño humedecido o lave con agua jabonada o en la máquina de lavaplatos.
3. Asegúrese de secar bien la bandeja antes de instalarla en el horno nuevamente.

Superficies exteriores

Importante: La superficie superior del horno se calienta; asegúrese de que el horno se haya enfriado bien antes de limpiarlo.

Limpie la parte superior y demás superficies exteriores con un paño o con una esponja humedecida. Seque bien con un paño suave o con papel de toalla.

Recipientes de cocinar

Este aparato le permite utilizar recipientes de metal, de vidrio resistente al calor o de cerámica sin tapas de vidrio. Siga las indicaciones del fabricante. Asegúrese de que haya un espacio mínimo de 2,54 cm (1") entre el borde superior del recipiente y los elementos calefactores.

IMPORTANTES MISES EN GARDE

Lorsqu'on utilise un appareil électrique, il faut toujours respecter certaines règles de sécurité fondamentales, notamment les suivantes.

- Lire toutes les directives.
- Ne pas toucher aux surfaces chaudes. Utiliser les poignées et les boutons.
- Afin d'éviter les risques de secousses électriques, ne pas immerger le cordon, la fiche ni toute autre pièce non amovible de l'appareil.
- Exercer une étroite surveillance lorsqu'on utilise l'appareil près d'un enfant ou lorsque ce dernier s'en sert.
- Débrancher l'appareil lorsqu'on ne s'en sert pas et avant de le nettoyer. Le laisser refroidir avant d'y ajouter ou d'en retirer un accessoire.
- Ne pas utiliser un appareil dont la fiche ou le cordon est abîmé, qui présente un problème de fonctionnement, qui est tombé par terre ou qui est endommagé. Retourner le produit au centre de service de la région pour qu'il y soit examiné, réparé ou réglé électriquement ou mécaniquement. Ou composer le numéro sans frais approprié indiqué sur la page couverture du présent guide.
- L'utilisation d'accessoires non recommandés par le fabricant présente des risques de blessures.
- Ne pas utiliser l'appareil à l'extérieur.
- Ne pas laisser pendre le cordon d'une table ou d'un comptoir, ni le laisser entrer en contact avec une surface chaude.
- Ne pas placer près ou sur une cuisinière au gaz ou à l'électricité chaude, ni dans un four réchauffé.
- Déplacer avec une extrême prudence un appareil renfermant de l'huile chaude ou tout autre liquide chaud.
- Mettre toutes les commandes à la position d'arrêt (OFF) avant de brancher ou de débrancher l'appareil.
- Utiliser l'appareil seulement aux fins qu'il est prévu.
- Ne pas introduire dans l'appareil des aliments grandes dimensions ni des ustensiles en métal qui pourraient provoquer des risques d'incendies ou de secousses électriques.
- Il y a risque d'incendie lorsque le grille-pain est recouvert de matériaux inflammables comme des rideaux, des draperies ou des revêtements muraux, ou lorsqu'il entre en contact avec ceux-ci alors qu'il fonctionne. Ne rien ranger sur l'appareil en service.
- Ne pas nettoyer l'appareil avec des tampons métalliques abrasifs. Ces derniers peuvent s'effriter et entrer en contact avec les composants électriques de l'appareil, ce qui présente un risque de secousses électriques.

- ❑ Bien surveiller lorsqu'on utilise des plats qui ne sont pas en métal ni en verre.
- ❑ Ne rien ranger d'autre que les accessoires recommandés par le fabricant dans l'appareil lorsqu'il ne sert pas.
- ❑ Ne pas placer l'un des matériaux suivants dans le four : du papier, du carton, de la pellicule plastique et d'autres matériaux du genre.
- ❑ Éviter de recouvrir le plateau à miettes ou toute autre pièce de l'appareil de papier métallique car cela présente des risques de surchauffe.
- ❑ Pour arrêter le grillage, le rôtissage ou la cuisson, régler les commandes à la position d'arrêt (OFF).
- ❑ Faire preuve d'une extrême prudence lorsqu'on retire le plateau ou qu'on jette de la graisse chaude.

CONSERVER CES INSTRUCTIONS.

FICHE MISE À LA TERRE

Par mesure de sécurité, le produit comporte une fiche mise à la terre qui n'entre que dans une prise à trois trous. Il ne faut pas neutraliser ce dispositif de sécurité. La mauvaise connexion du conducteur de terre présente des risques de secousses électriques. Communiquer avec un électricien certifié lorsqu'on se demande si la prise est bien mise à la terre.

CORDON ÉLECTRIQUE

- a) Le cordon d'alimentation de l'appareil est court afin de minimiser les risques d'enchevêtrement ou de trébuchement.
- b) Il existe des cordons d'alimentation ou de rallonge plus longs et il faut s'en servir avec prudence.
- c) Lorsqu'on utilise un cordon de rallonge, il faut s'assurer que :
 - 1) la tension nominale du cordon d'alimentation ou de rallonge soit au moins égale à celle de l'appareil, et que;
 - 2) le cordon soit placé de sorte qu'il ne soit pas étalé sur le comptoir ou la table d'où des enfants pourraient le tirer, ni placé de manière à provoquer un trébuchement par inadvertance.

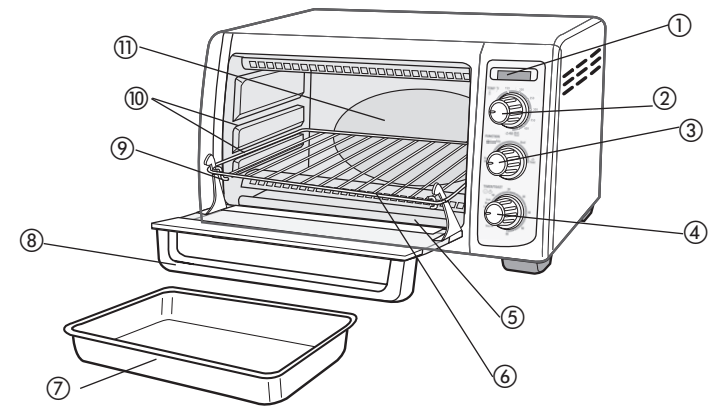
Lorsque l'appareil est de type mis à la terre, il faut utiliser un cordon de rallonge mis à la terre à trois broches.

VIS INDESSERRABLE

Avertissement : L'appareil est doté d'une vis indesserrable empêchant l'enlèvement du couvercle extérieur. Pour réduire les risques d'incendie ou de secousses électriques, **ne pas tenter de retirer le couvercle extérieur**. L'utilisateur ne peut pas remplacer les pièces de l'appareil. En confier la réparation seulement au personnel des centres de service autorisés.

Note : Lorsque le cordon d'alimentation est endommagé, il faut le faire remplacer par du personnel qualifié ou, en Amérique latine, par le personnel d'un centre de service autorisé.

Le produit peut différer légèrement de celui illustré.

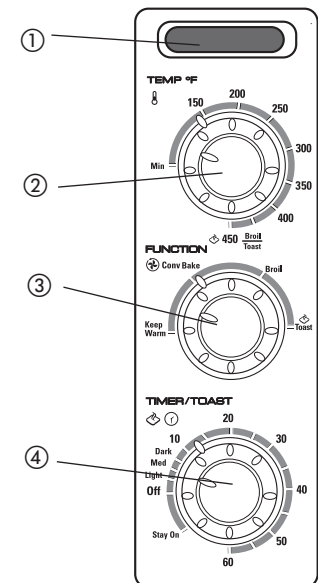


A

- | | |
|---|--|
| 1. Témoin de fonctionnement | + 6. Grille coulissante/de rôtissage (pièce n° TRO4050-02) |
| + 2. Sélecteur de température (pièce n° TRO4050-04) | + 7. Plat de cuisson/lèche-frite (pièce n° TRO4050-03) |
| + 3. Sélecteur de la fonction de cuisson (pièce n° TRO4050-05) | + 8. Porte en verre transparente |
| + 4. Minuterie de 60 minutes / Sélecteur du degré de grillage (pièce n° TRO4050-06) | + 9. Rails de soutien de la grille coulissante |
| + 5. Plateau à miettes coulissant (pièce n° TRO4050-01) | + 10. Fente pour la grille |
| | + 11. Intérieur courbé très profond |
| | + Remplaçable par le consommateur |

PANNEAU DE COMMANDE

1. Témoin de fonctionnement
2. Sélecteur de température
3. Sélecteur de la fonction de cuisson
4. Minuterie de 60 minutes / Sélecteur du degré de grillage



B

Utilisation

L'appareil est conçu pour une utilisation domestique seulement.

Important : Afin de pouvoir en vérifier la garantie, ne pas retirer l'étiquette du cordon d'alimentation.

PRÉPARATIFS

- Retirer tous les matériaux d'emballage et toute étiquette.
- Sortir la grille du four.
- Les laver dans de l'eau savonneuse, les rincer et les assécher à l'aide d'un chiffon ou d'un essuie-tout.
- Remettre la grille en place dans le four.
- Choisir un emplacement pour l'appareil. Celui-ci ne doit pas se trouver sous des armoires ni trop près d'un mur afin de laisser la chaleur circuler sans endommager l'espace de comptoir.

GRILLAGE

Il n'est pas nécessaire de réchauffer l'appareil pour le grillage.

1. Tourner le sélecteur de température à « 450 Rôtissage/Grillage » (450 Broil/Toast).
2. Ouvrir la porte du four. Insérer la grille coulissante/de rôtissage dans la **fente inférieure**.
3. Déposer la tranche de pain directement sur la grille coulissante et refermer la porte.
4. Tourner le sélecteur de la fonction de cuisson à « Grillage » (Toast).
5. Régler la minuterie pour le temps de réchaud désiré.. Afin d'optimiser les résultats, choisir le réglage moyen pour le premier cycle, puis le régler au goût. Le témoin de fonctionnement s'allume et il reste allumé pendant le cycle de grillage. À la fin du cycle de grillage, un timbre se fait entendre, le four s'éteint automatiquement et le témoin s'éteint.

Conseils pratiques pour optimiser le grillage en cas de cycles consécutifs

Pour obtenir les meilleurs résultats lorsque vous procédez à trois cycles d'utilisation.

6. Ouvrir la porte du four et, à l'aide d'une poignée ou de mitaines isolantes, faire glisser la grille hors du four afin de retirer l'aliment.

Important : Toujours utiliser une mitaine ou une poignée pour retirer un aliment du four car la porte et la grille coulissante sont brûlants.

Conseils utiles

- Pour arrêter le cycle de grillage, déplacer le sélecteur du degré de grillage position d'arrêt (OFF).
- Quand on fait d'autres rôties immédiatement après un cycle de grillage, baisser légèrement le sélecteur de degré de grillage.

CUISSON PAR CONVECTION

Le four à convection répartit la chaleur uniformément à l'aide d'un ventilateur, pour améliorer la cuisson à tout coup.

Note : Ce four comporte des commandes de température pré-réglées pour la cuisson par convection.

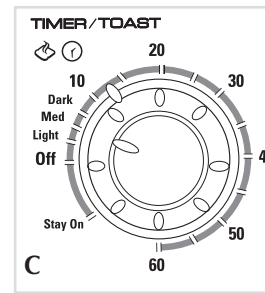
1. Consulter le guide plus bas pour l'aliment à cuire (page 23).

Note : Afin d'optimiser les résultats pour la cuisson, toujours réchauffer le four pendant 10 minutes à la température voulue.

2. Ouvrir la porte du four. Insérer la grille coulissante dans le four.
3. Régler le sélecteur à la température voulue.
4. Tourner le sélecteur de la fonction de cuisson à « Cuisson par Convection » (Conv. Bake).

Important : Il faut régler la minuterie ou choisir la position de fonctionnement continu (STAY ON) pour activer le four.

5. Régler la minuterie à la durée voulue (comprenant le temps de réchauffage) ou choisir la position de fonctionnement continu (STAY ON).



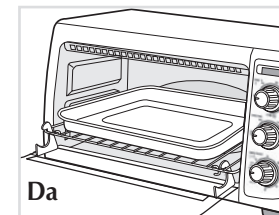
Conseil pratique : Pour choisir la position de fonctionnement continu (STAY ON), lorsqu'on veut décider du temps de cuisson ou lorsqu'il faut prolonger le temps de cuisson au-delà de 60 minutes, faire tourner la minuterie dans le sens antihoraire (C).

- Le témoin de fonctionnement s'allume et il reste allumé pendant le cycle de cuisson.
- Les éléments chauffants s'allument et s'éteignent pour maintenir la température.

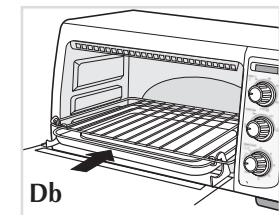
Note : S'assurer que le dessus de l'aliment se trouve à au moins 2,54 cm (1 po) des éléments supérieurs.

6. On peut cuire les aliments de deux façons :

- dans le plat de cuisson déposé directement sur la grille OU;
- directement sur la grille en se servant du plat de cuisson comme lèchefrite sous la grille coulissante en l'insérant dans les rails de soutien (Da et Db).



OU



7. Refermer la porte du four.
8. Lors de la première utilisation de l'appareil, faire cuire selon les directives de la recette ou de l'emballage de l'aliment et vérifier la cuisson au bout de la durée minimale.
9. À la fin du cycle de cuisson :
 - Si vous avez réglé la minuterie, la sonnerie se fait entendre, le témoin de fonctionnement s'éteint et le four s'éteint automatiquement.
 - Si vous n'avez pas réglé la minuterie, tourner la minuterie de 60 minutes/sélecteur du degré de rôtissage à la position « Arrêt ». Le témoin de fonctionnement s'éteint.
10. Ouvrir la porte du four et, à l'aide d'une poignée ou de mitaines isolantes, faire glisser la grille hors de l'appareil afin de retirer l'aliment.

Important : Toujours utiliser une mitaine ou une poignée pour retirer un aliment du four car la porte et la grille coulissante sont brûlants.

GUIDE PAR CONVECTION

NOTE : Lors de la cuisson, utiliser les positions inférieure et supérieure de la grille.

ALIMENT	QUANTITÉ	TEMPÉRATURE/ DURÉE	DIRECTIVES
Morceaux de poulet	Capacité du plat (de 1 à 4 morceaux)	191 °C (375 °F) De 45 à 55 min	Faire cuire jusqu'à ce que le température de le poulet atteigne 82 °C (180 °F) sur un thermomètre à viande
Jambon, côtelettes de porc ou d'agneau, darnes ou filets de poisson	Capacité du plat de cuisson (de 1 à 4 côtelettes ou darnes)	163 °C (325 °F)	Cuire jusqu'à la cuisson voulue.
Biscuits (recettes ou réfrigérés)	De 6 à 8 biscuits	suivre les instructions de la recette ou de l'emballage	Placer dans le plat de cuisson sur la grille. Cuire jusqu'à ce qu'ils soient cuits et dorés au goût.
Biscuits, petits pains mollets (recettes ou réfrigérés)	Capacité du plat de cuisson	suivre les instructions de la recette ou de l'emballage	Placer dans le plat de cuisson sur la grille. Cuire jusqu'à ce qu'ils soient cuits et dorés au goût.
Pommes de terre ou patates sucrées	De 1 à 6 pommes de terre moyennes	204 °C (400 °F) De 60 à 75 min	Laver, percer les pommes de terre et placer directement sur la grille.
Frites congelées, rondelles d'oignons et autres articles panés surgelés, collations surgelées	Capacité du plat de cuisson	suivre les instructions sur l'emballage	Placer dans le plat de cuisson sur la grille. Vérifier souvent pour empêcher de trop dorer.
Pizza surgelée		suivre les instructions sur l'emballage	Placer la pizza directement sur la grille pour obtenir une croûte croustillante ou dans le plat de cuisson pour obtenir un croûte moelleuse.

ROTÏSSAGE

1. Consulter le guide de rôtissage pour déterminer la durée de cuisson (page 25).
2. Régler le sélecteur de température au cycle de rôtissage (BROIL). Il n'est pas nécessaire de réchauffer l'appareil pour le rôtissage.
3. Utiliser la position supérieure de la grille. Tourner le sélecteur de la fonction de cuisson à « Rôtissage » (Broil).
4. Ouvrir la porte du four et se servir du plat comme lèchefrite en l'insérant sous la grille coulissante dans les rails de soutien de la grille (Db).

Important : Il faut régler la minuterie ou choisir la position de fonctionnement continu (STAY ON) pour activer le four.

5. Régler la minuterie à la durée voulue ou choisir la position de fonctionnement continu (STAY ON), lorsqu'on veut décider du temps de cuisson ou lorsqu'il faut prolonger le temps de cuisson au-delà de 60 minutes.

Note : S'assurer que le dessus de l'aliment se trouve à au moins 2,54 cm (1 po) des éléments supérieurs.

6. Déposer l'aliment sur la grille coulissante.

Important : L'aliment ne doit pas dépasser les rebords du plat de cuisson afin d'éviter que les jus de cuisson ne tombent sur les éléments.

7. Lors de la première utilisation de l'appareil, faire cuire selon les directives de la recette ou de l'emballage de l'aliment et vérifier la cuisson au bout de la durée minimale.
8. À la fin du cycle de rôtissage :
 - Si vous avez réglé la minuterie, la sonnerie se fait entendre, le témoin de fonctionnement s'éteint et le four s'éteint automatiquement.
 - Si vous n'avez pas réglé la minuterie, tourner la minuterie de 60 minutes/sélecteur du degré de rôtissage à la position « Arrêt ». Le témoin de fonctionnement s'éteint.
9. Utiliser une poignée ou des mitaines et retirer la grille coulissante avec le plat de cuisson, afin de retirer l'aliment.

Important : Toujours utiliser une mitaine ou une poignée pour retirer un aliment du four car la porte et la grille coulissante sont brûlants.

GUIDE DE RÔTISSAGE

NOTE : Lors du RÔTISSAGE, faire glisser le plat de cuisson sous la grille en se servant des rails de soutien. Ne pas réchauffer. Les durées de rôtissage indiquées sont approximatives. Afin d'optimiser les résultats, bien cuire le boeuf haché, le poisson et la volaille.

ALIMENT	QUANTITÉ	DURÉE	DIRECTIVES
Morceaux de poulet	De 1 à 4	De 30 à 40 minutes	Placer les morceaux avec peau dessous et tourner après 15 à 25 minutes. Continuer la cuisson jusqu'à 77 °C (170 °F) ou jusqu'à ce que les jus de cuisson soient translucents.
Saucisses fumées	De 1 à 8	De 8 à 12 minutes	Tourner souvent pour faire dorer de façon uniforme.
Hambourgeois	De 1 à 4 (0,11 kg/0,25 lb chacun)	De 12 à 18 minutes	Tourner après 8 minutes, continuer à faire cuire jusqu'à ce que le thermomètre à viande atteigne 63 °C (145 °F) ou que l'aliment soit cuit au goût.
Bifteck	De 1 à 2 (19 mm/0,75 po d'épaisseur)	De 18 à 25 minutes	Tourner après 10 minutes, continuer à faire cuire jusqu'à ce que le thermomètre à viande atteigne 63 °C (145 °F) ou que l'aliment soit cuit au goût.
Côtelettes de porc	De 1 à 4 (19mm) (3/4 po d'épaisseur)	De 20 à 30 minutes	Tourner après 12 minutes, continuer de faire cuire jusqu'à ce que le thermomètre à viande atteigne 71 °C (160 °F).
Darne de poisson	De 1 à 6 (26 mm/1 po d'épaisseur)	De 10 à 18 minutes	Faire cuire jusqu'à ce que le poisson se détache facilement à la fourchette ou jusqu'à ce que le thermomètre à viande atteigne 145 °F.
Croque-monsieur	De 1 à 4 tranches	De 7 à 10 minutes	Faire griller le pain d'abord pour obtenir un sandwich plus croustillant. Ajouter du pain et des au fromage tranches de tomate et de fromage au goût. Faire griller jusqu'à ce que la tomate soit chaude et que le fromage soit fondu.

MODE « GARDE-AU-CHAUD »

1. Tourner le sélecteur de température à la température minimum (Min).
2. Tourner le sélecteur de la fonction de cuisson à « Garde-au-chaud » (Keep Warm).
3. Régler la minuterie pour le temps de réchaud désiré. Sélectionner « Fonctionnement continu » (Stay On) si vous voulez contrôler vous-même le temps de cuisson ou si vous avez besoin de plus de 60 minutes pour faire cuire vos aliments.

Entretien et nettoyage

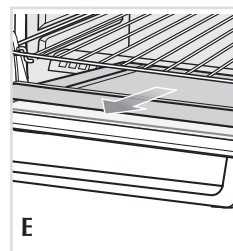
L'utilisateur ne peut entretenir aucune composante du produit. En confier l'entretien à du personnel qualifié.

Nettoyage du four

IMPORTANT:- Avant de procéder au nettoyage, s'assurer que le four est éteint, débranché et froid. Toujours bien essuyer les pièces avant d'utiliser l'appareil après nettoyage.

1. Nettoyer la porte en verre avec une éponge, un chiffon doux ou un tampon en nylon, et de l'eau savonneuse. Ne pas utiliser de nettoyant à vitres en vaporisateur.
2. Laver la grille dans de l'eau chaude savonneuse ou au lave-vaisselle. Pour enlever les taches tenaces, utiliser un tampon en nylon ou en polyester.
3. Laver le plat de cuisson dans de l'eau chaude savonneuse. Utiliser un tampon en nylon ou en polyester pour minimiser les égratignures.

Plateau à miettes



1. Ouvrir la porte du four et sortir le plateau (E).
2. Jeter les miettes et essuyer le plateau avec un chiffon humide.
3. Bien assécher le plateau avant de le remettre en place.

Surfaces extérieures

Important : Le dessus de l'appareil devient brûlant, s'assurer que le four est complètement refroidi avant de le nettoyer.

Essuyer le dessus et les parois extérieures de l'appareil avec un chiffon ou une éponge humide. Bien assécher.

Récipients pour la cuisson

Des plats de cuisson en métal, en verre ou en céramique résistant au four sans couvercles en verre peuvent servir dans le four. Respecter les consignes des fabricants. S'assurer que le dessus de l'aliment se trouve à au moins 2,54 cm (1 po) des éléments supérieurs.

NEED HELP?

For service, repair or any questions regarding your appliance, call the appropriate "800" number on the cover of this book. **Do not** return the product to the place of purchase. **Do not** mail the product back to the manufacturer nor bring it to a service center. You may also want to consult the website listed on the cover of this manual.

One-Year Limited Warranty (Applies only in the United States and Canada)

What does it cover?

- Any defect in material or workmanship; provided; however, Applica's liability will not exceed the purchase price of the product.

For how long?

- One year after the date of original purchase.

What will we do to help you?

- Provide you with a reasonably similar replacement product that is either new or factory refurbished.

How do you get service?

- Save your receipt as proof of the date of sale.
- Check our on-line service site at www.prodprotect.com/applica, or call our toll-free number, 1-800-231-9786, for general warranty service.
- If you need parts or accessories, please call 1-800-738-0245.

What does your warranty not cover?

- Damage from commercial use
- Damage from misuse, abuse or neglect
- Products that have been modified in any way
- Products used or serviced outside the country of purchase
- Glass parts and other accessory items that are packed with the unit
- Shipping and handling costs associated with the replacement of the unit
- Consequential or incidental damages (Please note, however, that some states do not allow the exclusion or limitation of consequential or incidental damages, so this limitation may not apply to you.)

How does state law relate to this warranty?

- This warranty gives you specific legal rights, and you may also have other rights that vary from state to state or province to province.

¿NECESITA AYUDA?

Para servicio, reparaciones o preguntas relacionadas al producto, por favor llame al número del centro de servicio en el país donde usted compró su producto. NO devuelva el producto al fabricante. Llame o lleve el producto a un centro de servicio autorizado.

DOS AÑOS DE GARANTÍA LIMITADA (No aplica en México, Estados Unidos o Canadá)

¿Qué cubre la garantía?

- La garantía cubre cualquier defecto de materiales o de mano de obra. Applica no se responsabiliza por ningún costo que exceda el valor de compra del producto.

¿Por cuánto tiempo es válida la garantía?

- Por dos años a partir de la fecha original de compra.

¿Cómo se puede obtener servicio?

- Conserve el recibo original de compra.
- Por favor llame al número del centro de servicio autorizado.

Esta garantía no cubre:

- Los productos que han sido utilizados en condiciones distintas a las normales
- Los daños ocasionados por el mal uso, el abuso o negligencia.
- Los productos que han sido alterados de alguna manera
- Los daños ocasionados por el uso comercial del producto
- Los productos utilizados o reparados fuera del país original de compra
- Las piezas de vidrio y demás accesorios empacados con el aparato
- Los gastos de tramitación y embarque asociados al reemplazo del producto
- Los daños y perjuicios indirectos o incidentales

BESOIN D'AIDE?

Pour communiquer avec les services d'entretien ou de réparation, ou pour adresser toute question relative au produit, composer le numéro sans frais approprié indiqué sur la page couverture. **Ne pas** retourner le produit où il a été acheté. **Ne pas** poster le produit au fabricant ni le porter dans un centre de service. On peut également consulter le site web indiqué sur la page couverture.

Garantie limitée de un an (Valable seulement aux États-Unis et au Canada)

Quelle est la couverture?

- Tout défaut de main-d'œuvre ou de matériau; toutefois, la responsabilité de la société Applica se limite au prix d'achat du produit.

Quelle est la durée?

- Un an après l'achat original.

Quelle aide offrons nous?

- Remplacement par un produit raisonnablement semblable nouveau ou réusiné.

Comment se prévaut-on du service?

- Conserver son reçu de caisse comme preuve de la date d'achat.
- Visiter notre site web au www.prodprotect.com/applica, ou composer sans frais le 1 800 231-9786, pour obtenir des renseignements généraux relatifs à la garantie.
- On peut également communiquer avec le service des pièces et des accessoires au 1 800 738-0245.

Qu'est-ce que la garantie ne couvre pas?

- Des dommages dus à une utilisation commerciale.
- Des dommages causés par une mauvaise utilisation ou de la négligence.
- Des produits qui ont été modifiés.
- Des produits utilisés ou entretenus hors du pays où ils ont été achetés.
- Des pièces en verre et tout autre accessoire emballés avec le produit.
- Les frais de transport et de manutention reliés au remplacement du produit.
- Des dommages indirects (il faut toutefois prendre note que certains états ne permettent pas l'exclusion ni la limitation des dommages indirects).

Quelles lois régissent la garantie?

- Les modalités de la présente garantie donnent des droits légaux spécifiques. L'utilisateur peut également se prévaloir d'autres droits selon l'état ou la province qu'il habite.

Póliza de Garantía
(Válida sólo para México)

Duración

Applica de México, S. de R. L. de C.V. garantiza este producto por 2 años a partir de la fecha original de compra.

¿Qué cubre esta garantía?

Esta Garantía cubre cualquier defecto que presenten las piezas, componentes y la mano de obra contenidas en este producto.

Requisitos para hacer válida la garantía

Para reclamar su Garantía deberá presentar al Centro de Servicio Autorizado la póliza sellada por el establecimiento en donde adquirió el producto. Si no la tiene, podrá presentar el comprobante de compra original.

¿Donde hago válida la garantía?

Llame sin costo al teléfono 01 800 714 2503, para ubicar el Centro de Servicio Autorizado más cercano a su domicilio en donde usted podrá encontrar partes, componentes, consumibles y accesorios.

Procedimiento para hacer válida la garantía

Acuda al Centro de Servicio Autorizado con el producto con la póliza de Garantía sellada o el comprobante de compra original, ahí se reemplazará cualquier pieza o componente defectuoso sin cargo alguno para el usuario final. Esta Garantía incluye los gastos de transportación que se deriven de su cumplimiento.

Excepciones

Esta Garantía no será válida cuando el producto:

- A) Se hubiese utilizado en condiciones distintas a las normales.
- B) No hubiese sido operado de acuerdo con el instructivo de uso que le acompaña.
- C) Cuando el producto hubiese sido alterado o reparado por personas no autorizadas por Applica de México, S. de R. L. de C.V.

Nota: Usted podrá encontrar partes, componentes, consumibles y accesorios en los centros de servicios autorizados. Esta garantía incluyen los gastos de transportación que se deriven de sus cumplimiento dentro de sus red de servicio.

Por favor llame al número correspondiente que aparece en la lista a continuación para solicitar que se haga efectiva la garantía y donde Ud. puede solicitar servicio, reparaciones o partes en el país donde el producto fué comprado. También puede consultarnos en el e-mail. "servicio@applicamail.com.mx"

Argentina

Servicio Técnico Central
Attendance
Atención al Cliente
Av. Monroe 3351
Buenos Aires, Argentina
Tel.: 0810-999-8999

Chile

Servicio Máquinas y
Herramientas Ltda.
Av. Apoquindo No. 4867 -
Las Condes
Santiago, Chile
Tel.: (562) 263-2490

Colombia

PLINARES
Avenida Quito # 88A-09
Bogotá, Colombia
Tel. sin costo 01 800
7001870

Costa Rica

Aplicaciones
Electromecánicas, S.A.
Calle 26 Bis y Ave. 3
San Jose, Costa Rica
Tel.: (506) 257-5716
223-0136

Ecuador

Servicio Master Ecuador
Av. 6 de Diciembre 9276 y
Los Alamos
Tel. (593) 2281-3882

El Salvador

Sedeblack
Calle San Antonio Abad
2936
San Salvador, El Salvador
Tel. (503) 2284-8374

Guatemala

MacPartes SA
3ª Calle 414 Zona 9
Frente a Tecun
Tel. (502) 2331-5020
2332-2101

Honduras

ServiTotal
Contigua a Telecentro
Tegucigalpa, Honduras,
Tel. (504) 235-6271

México

Art. 123 No. 95
Col. Centro, C.P. 06050
Deleg. Cuauhtemoc
Tel: 01 800 714-2503

Nicaragua

ServiTotal
De semáforo de portezuelo
500 metros al sur.
Managua, Nicaragua,
Tel. (505) 248-7001

Panamá

Servicios Técnicos CAPRI
Tumbamuerto Boulevard El
Dorado
Panamá.
Tel. (507) 2360 236
(507) 2360 159

Perú

Servicio Técnico Central
Fast Service
Calle Jorge Muelle 121 San
Borja
Lima Perú
Tel.(0511) 2257391-
2230221

Puerto Rico

Buckeye Service
Jesús P. Piñero #1013
Puerto Nuevo, SJ PR
00920
Tel.: (787) 782-6175

Republica Dominicana

Plaza Lama, S.A.
Av, Duarte #94
Santo Domingo,
República Dominicana
Tel.: (809) 687-9171

Trinidad and Tobago

A.S. Bryden & Sons
(Trinidad) Limited
33 Independence Square,
Port of Spain
Trinidad, W.I.
Tel.: (868) 623-4696

Venezuela

Inversiones BDR CA
Av. Casanova C.C. City
Market
Nivel Plaza Local 153,
Diagonal Hotel Melia.
Caracas
Tel. (582) 324 0969

Sello del Distribuidor:

Fecha de compra:

Modelo:

Comercializado por:

Applica de México, S. de R. L. de C.V.
Presidente Mazaryk No111, 1er Piso
Col. Chapultepec Morales, Mexico D.F
Deleg. Miguel Hidalgo
CP 11570
MEXICO

Servicio y Reparación

Art. 123 No. 95
Col. Centro, C.P. 06050
Deleg. Cuauhtemoc

Servicio al Consumidor,

Venta de Refacciones y Accesorios
01 800 714 2503

▣ **BLACK&DECKER** is a trademark of The Black & Decker Corporation, Towson, Maryland, USA

Marca registrada de The Black & Decker Corporation, Towson, Maryland, E.U.

Marque de commerce déposée de la société The Black & Decker Corporation, Towson, Maryland, É.-U.

1500 W 120 V ~ 60Hz

Copyright © 2007 Applica Consumer Products, Inc.

Made in People's Republic of China

Printed in People's Republic of China

Importado por:

APPLICA DE MEXICO, S. DE R. L. DE C. V.

Presidente Mazaryk No111, 1er Piso
Col. Chapultepec Morales, Mexico D.F
Deleg. Miguel Hidalgo
CP 11570
MEXICO

Teléfono: (55) 1106-1400

Del interior marque sin costo

01 (800) 714 2503

Fabricado en la República Popular de China

Impreso en la República Popular de China

Fabriqué en République populaire de Chine

Imprimé en République populaire de Chine



R22007/1-11-28E/S/F

Free Manuals Download Website

<http://myh66.com>

<http://usermanuals.us>

<http://www.somanuals.com>

<http://www.4manuals.cc>

<http://www.manual-lib.com>

<http://www.404manual.com>

<http://www.luxmanual.com>

<http://aubethermostatmanual.com>

Golf course search by state

<http://golfingnear.com>

Email search by domain

<http://emailbydomain.com>

Auto manuals search

<http://auto.somanuals.com>

TV manuals search

<http://tv.somanuals.com>