

INSTRUCTION MANUAL

Catalog No. BDG1200K

BEFORE RETURNING THIS PRODUCT FOR ANY REASON PLEASE CALL

1-800-54-HOW-TO (544-6986)

IF YOU SHOULD EXPERIENCE A PROBLEM WITH YOUR BLACK & DECKER PRODUCT, CALL 1-800-54-HOW-TO (544-6986)

BEFORE YOU CALL, HAVE THE FOLLOWING INFORMATION AVAILABLE, CATALOG No., TYPE No., AND DATE CODE (e.g. 20000130M). IN MOST CASES, A BLACK & DECKER REPRESENTATIVE CAN RESOLVE YOUR PROBLEM OVER THE PHONE. IF YOU HAVE A SUGGESTION OR COMMENT, GIVE US A CALL. YOUR FEEDBACK IS VITAL TO BLACK & DECKER.

KEY INFORMATION YOU SHOULD KNOW:

- Charge battery for 9 hours before first use. For more information see "CHARGING THE POWER PACK".

SAVE THIS MANUAL FOR FUTURE

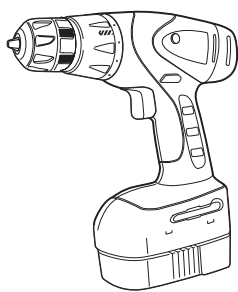
REFERENCE.
CONSERVEZ CE MODE D'EMPLOI POUR UN USAGE ULTÉRIEUR.
CONSERVE ESTE MANUAL PARA FUTURAS CONSULTAS.

GUIDE D'UTILISATION MANUAL DE INSTRUCCIONES

INSTRUCTIVO DE OPERACIÓN, CENTROS DE SERVICIO Y POLIZA DE GARANTÍA. ADVERTENCIA: LEASE ESTE INSTRUCTIVO ANTES DE USAR EL PRODUCTO.

Cat. NO. BDG1200K
Copyright © 2005 Black & Decker

Form # 5145557-04 (MAR. '05)
Printed in China



General Safety Rules

- ⚠ **WARNING:** Read and understand all instructions. Failure to follow all instructions listed below may result in electric shock, fire and/or serious personal injury.

SAVE THESE INSTRUCTIONS

Work Area

- **Keep your work area clean and well lit.** Cluttered benches and dark areas invite accidents.
- **Do not operate power tools in explosive atmospheres, such as in the presence of flammable liquids, gases, or dust.** Power tools create sparks which may ignite the dust or fumes. Use in well ventilated areas only.
- **Keep bystanders, children, and visitors away while operating a power tool.** Distractions can cause you to lose control.

Electrical Safety

- **Do not abuse the cord.** Never use the cord to carry the tools or pull the plug from an outlet. Keep cord away from heat, oil, sharp edges or moving parts. Replace damaged cords immediately. Damaged cords increase the risk of electric shock.
- **A battery operated tool with integral batteries or a separate battery pack must be recharged only with the specified charger for the battery.** A charger that may be suitable for one type of battery may create a risk of fire when used with another battery.
- **Use battery operated tool only with specifically designated battery pack.** Use of any other batteries may create a risk of fire.

Personal Safety

- **Stay alert, watch what you are doing and use common sense when operating a power tool. Do not use tool while tired or under the influence of drugs, alcohol, or medication.** A moment of inattention while operating power tools may result in serious personal injury.
- **Dress properly. Do not wear loose clothing or jewelry. Contain long hair. Keep your hair, clothing, and gloves away from moving parts.** Loose clothing, jewelry, or long hair can be caught in moving parts. Air vents cover moving parts and should be avoided.
- **Avoid accidental starting. Be sure switch is off before plugging in.** Carrying tools with your finger on the switch or plugging in tools that have the switch on invites accidents.
- **Remove adjusting keys or wrenches before turning the tool on.** A wrench or key that is left attached to a rotating part of the tool may result in personal injury.
- **Do not overreach. Keep proper footing and balance at all times.** Proper footing and balance enables better control of the tool in unexpected situations.
- **Use safety equipment. Always wear eye protection.** Dust mask, non-skid safety shoes, hard hat, or hearing protection must be used for appropriate conditions.

Tool Use and Care

- **Use clamps or other practical way to secure and support the workpiece to a stable platform.** Holding the work by hand or against your body is unstable and may lead to loss of control.
- **Do not force tool. Use the correct tool for your application.** The correct tool will do the job better and safer at the rate for which it is designed.
- **Do not use tool if switch does not turn it on or off.** Any tool that cannot be controlled with the switch is dangerous and must be repaired.
- **Disconnect the plug from the power source before making any adjustments, changing accessories, or storing the tool.** Such preventative safety measures reduce the risk of starting the tool accidentally.
- **Store idle tools out of reach of children and other untrained persons.** Tools are dangerous in the hands of untrained users.
- **Maintain tools with care. Keep cutting tools sharp and clean.** Properly maintained tools, with sharp cutting edges are less likely to bind and are easier to control.
- **Check for misalignment or binding of moving parts, breakage of parts, and any other condition that may affect the tools operation. If damaged, have the tool serviced before using.** Many accidents are caused by poorly maintained tools.
- **Use only accessories that are recommended by the manufacturer for your model.** Accessories that may be suitable for one tool, may become hazardous when used on another tool.

- **When battery pack is not in use, keep it away from other metal objects like: paper clips, coins, keys, nails, screws, or other small metal objects that can make a connection from one terminal to another.** Shorting the battery terminals together may cause sparks, burns, or a fire.

Service

- **Tool service must be performed only by qualified repair personnel.** Service or maintenance performed by unqualified personnel could result in a risk of injury.
- **When servicing a tool, use only identical replacement parts. Follow instructions in the Maintenance section of this manual.** Use of unauthorized parts or failure to follow Maintenance Instructions may create a risk of electric shock or injury.

Specific Safety Rules

- **Hold tool by insulated gripping surfaces when performing an operation where the cutting tool may contact hidden wiring or its own cord.** Contact with a "live" wire will make exposed metal parts of the tool "live" and shock the operator.
- **When working on a ladder or on scaffolding be sure to lay the tool down on its side when not in use.** Some tools with large battery packs will stand upright but may be easily knocked over.

⚠ **WARNING: Some dust created by power sanding, sawing, grinding, drilling, and other construction activities contains chemicals known to cause cancer, birth defects or other reproductive harm. Some examples of these chemicals are:**

- lead from lead-based paints,
- crystalline silica from bricks and cement and other masonry products, and
- arsenic and chromium from chemically-treated lumber. (CCA)

Your risk from these exposures varies, depending on how often you do this type of work. To reduce your exposure to these chemicals: work in a well ventilated area, and work with approved safety equipment, such as those dust masks that are specially designed to filter out microscopic particles.

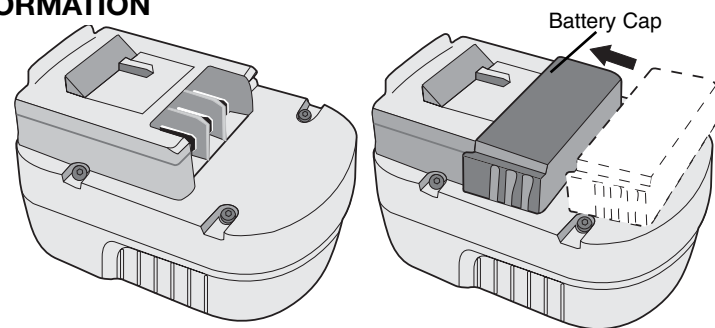
The label on your tool may include the following symbols.

V	volts	A	amperes
Hz	hertz	W	watts
min	minutes	~	alternating current
====	direct current	n ₀	no load speed
□	Class II Construction	⊕	earthing terminal
⚠	safety alert symbol	.../min	revolutions or reciprocations per minute

Before operating this tool, carefully read and understand all instructions in the "Important Safety Instructions" section.

BATTERY CAP INFORMATION

Battery storage and carrying caps are provided for use whenever the battery is out of the tool or charger. Remove cap before placing battery in charger or tool.



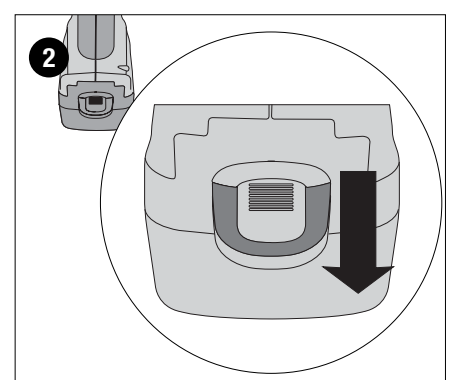
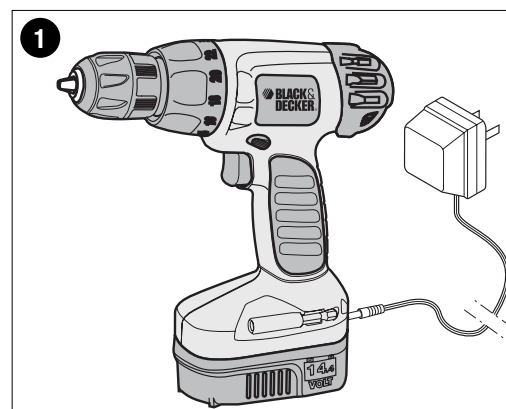
⚠ **WARNING:** Do not store or carry battery so that metal objects can contact exposed battery terminals. For example, do not place battery in aprons, pockets, tool boxes, product kit boxes, drawers, etc. with loose nails, screws, keys, etc. without battery cap. Transporting batteries can possibly cause fires if the battery terminals inadvertently come in contact with conductive materials such as keys, coins, hand tools and the like. The US Department of Transportation Hazardous Material Regulations (HMR) actually prohibit transporting batteries in commerce or on airplanes (i.e. packed in suitcases and carryon luggage) UNLESS they are properly protected from short circuits. So when transporting individual batteries, make sure that the battery terminals are protected and well insulated from materials that could contact them and cause a short circuit."

FIRST AID MEASURES FOR GEL COMPONENTS

If gel within the comfort grip becomes exposed and results in skin contact wash with soap and water;

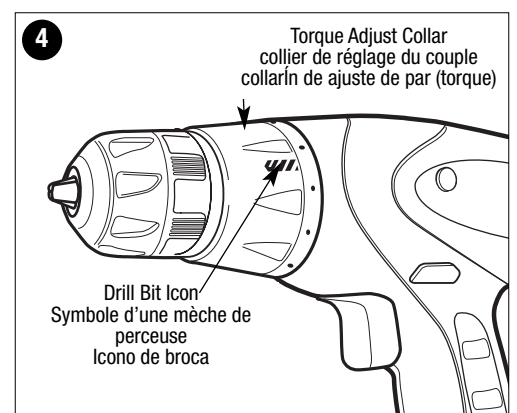
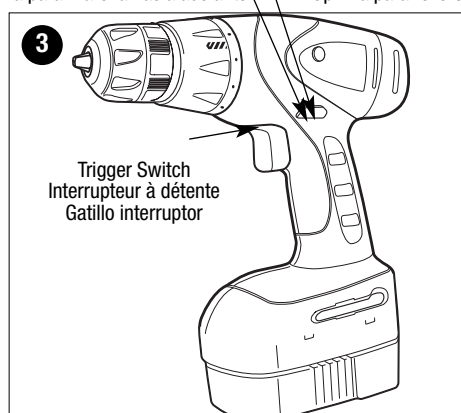
For eye contact, flush with flowing water. If swallowed, seek medical attention.

Material Safety Data Sheet (MSDS) available from **1-800-544-6986**



Depress for reverse (this side)
Enfoncer pour la marche arrière
Oprima para marcha hacia adelante

Depress for forward (other side)
Enfoncer pour la marche avant
Oprima para reversa



⚠ SAFETY WARNINGS AND INSTRUCTIONS: CHARGING

1. This manual contains important safety and operating instructions.
2. Before using battery charger, read all instructions and cautionary markings on (1) battery charger, (2) battery, and (3) product using battery.
3. ⚠ **CAUTION:** To reduce the risk of injury, charge only Black & Decker Power Packs. Other types of batteries may burst causing personal injury and damage.
4. Do not expose charger to rain or snow.
5. Use of an attachment not recommended or sold by Black & Decker may result in a risk of fire, electric shock, or injury to persons.
6. To reduce risk of damage to electric plug and cord, pull by plug rather than cord when disconnecting charger.
7. Make sure cord is located so that it will not be stepped on, tripped over, or otherwise subjected to damage or stress.
8. An extension cord should not be used unless absolutely necessary. Use of improper extension cord could result in a risk of fire, electric shock or electrocution.
 - a. Two-wire cords can be used with 2-wire or 3-wire extension cords. Only round jacketed extension cords should be used, and we recommend that they be listed by Underwriters Laboratories (U.L.). If the extension is to be used outside, the cord must be suitable for outdoor use. Any cord marked for outdoor use can also be used for indoor work. The letters "W" or "WA" on the cord jacket indicate that the cord is suitable for outdoor use.
 - b. An extension cord must have adequate wire size (AWG or American Wire Gauge) for safety, and to prevent loss of power and overheating. The smaller the gauge number of the wire, the greater the capacity of the cable; that is, 16 gauge has more capacity than 18 gauge. When using more than one extension to make up the total length, be sure each extension contains at least the minimum wire size.

CHART FOR MINIMUM WIRE SIZE (AWG) OF EXTENSION CORDS

NAMEPLATE RATING AMPS – 0 – 10.0

Total Extension Cord Length (ft)	25	50	75	100	125	150
Wire Gauge	18	18	16	16	14	14

9. Use only the supplied charger when charging. The use of any other charger could damage the battery or create a hazardous condition.
10. Use only one charger when charging.
11. Do not attempt to open the charger or the drill. There are no customer serviceable parts inside. Return to any authorized Black & Decker service center.
12. DO NOT incinerate the drill or battery even if they are severely damaged or completely worn out. The batteries can explode in a fire.
13. A small leakage of liquid from the battery cells may occur under extreme usage, charging or temperature conditions. This does not indicate a failure. However, if the outer seal is broken and this leakage gets on your skin:
 - a. Wash quickly with soap and water.
 - b. Neutralize with a mild acid such as lemon juice or vinegar.
 - c. If the battery liquid gets in your eyes, flush them with clean water for a minimum of 10 minutes and seek immediate medical attention. **MEDICAL NOTE:** The liquid is a 25-35% solution of potassium hydroxide.

CHARGING THE POWER PACK

THE BATTERIES IN YOUR POWER PACK ARE NOT FULLY CHARGED AT THE FACTORY. BEFORE ATTEMPTING TO CHARGE THEM, THOROUGHLY READ ALL OF THE SAFETY INSTRUCTIONS.

The charger is designed to use standard household 120 volt 60 Hz power.

1. Make sure the battery is fitted properly into the drill. Insert the charger plug into the connector as shown in Figure 1.
 2. Plug the charger into any standard 120 Volt 60 Hz electrical outlet and let the battery charge initially for **9 hours**. After the initial charge, under normal usage, your power pack should be fully charged in **3 to 6 hours**.
 3. Disconnect the charger from the outlet, then disconnect the charger from the tool.
- ⚠ **WARNING:** Do not use the tool while it is connected to the charger.
- NOTE:** To remove the battery from the drill, press down on the release button on the back of the battery (Figure 2) and slide out.

IMPORTANT CHARGING NOTES

1. After normal usage, your power pack should be fully charged in 3 to 6 hours. If the power pack is run-down completely, it may take up to 6 hours to become fully charged. Your power pack was sent from the factory in an uncharged condition. Before attempting to use it, it must be charged for at least 9 hours.
2. DO NOT charge the power pack in an air temperature below 40°F or above 105°F. This is important and will prevent serious damage to the power pack. Longest life and best performance can be obtained if power pack is charged when air temperature is about 75°F.
3. While charging, the charger may hum and become warm to touch. This is a normal condition and does not indicate a problem.
4. If the power pack does not charge properly—(1) Check current at receptacle by plugging in a lamp or other appliance. (2) Check to see if receptacle is connected to a light switch which turns power off when you turn out the lights. (3) Move charger and power pack to a surrounding air temperature of 40°F to 105°F. (4) If the receptacle and temperature are OK, and you do not get proper charging, take or send the power pack and charger to your local Black & Decker service center. See Tools Electric in yellow pages.
5. The power pack should be recharged when it fails to produce sufficient power on jobs which were easily done previously. DO NOT CONTINUE using product with its power pack in a depleted condition.
6. To prolong power pack life, avoid leaving the power pack on charge for extended periods of time (over 30 days without use). Although overcharging is not a safety concern, it can significantly reduce overall power pack life.
7. The power pack will reach optimum performance after being cycled 5 times during normal usage. There is no need to run the batteries down completely before recharging. Normal usage is the best method of discharging and recharging the batteries.

Operating Instructions

TRIGGER SWITCH & REVERSING BUTTON - FIGURE 3

The drill is turned ON and OFF by pulling and releasing the trigger switch shown in figure 3. The farther the trigger is depressed, the higher the speed of the drill. A forward/reverse control button determines the direction of the tool and also serves as a lock off button. To select forward rotation, release the trigger switch and depress the forward/reverse control button. To select reverse, depress the forward/reverse control button the opposite direction. The center position of the control button locks the tool in the off position. When changing the position of the control button, be sure the trigger is released.

TORQUE CONTROL - FIGURE 4

To set the tool's torque, rotate the adjustable torque collar as required. There are 6 clutch settings in all. For light duty work when using small screws, set the collar to a low number on the collar. Each click in a clockwise direction means an increase in the torque produced. The highest position is the drill mode and is indicated by a drill bit icon. In this position the clutch will not operate. This permits heavy duty drilling.

KEYLESS CHUCK

To insert a drill bit or other accessory:

1. Grasp the rear half of the chuck with one hand and use your other hand to rotate the front half in the counterclockwise direction, as viewed from the chuck end.
2. Insert the bit or other accessory fully into the chuck, and tighten securely by holding the rear half of the chuck and rotating the front portion in the clockwise direction as viewed from the chuck end.

⚠ **WARNING:** Do not attempt to tighten drill bits (or any other accessory) by gripping the front part of the chuck and turning the tool on. Damage to the chuck and personal injury may occur when changing accessories.

SCREW DRIVING

For driving fasteners, the reversing button should be pushed to the left. Use reverse (button pushed to the right) for removing fasteners. When moving from forward to reverse, or vice versa, always release the trigger switch first.

ON BOARD BIT STORAGE

A bit storage slot is built-in to the area just above the battery.

DRILLING

- Use sharp drill bits only.
- Support and secure work properly, as instructed in the Safety Instructions.
- Use appropriate and required safety equipment, as instructed in the Safety Instructions.
- Secure and maintain work area, as instructed in the Safety Instructions.
- Run the drill very slowly, using light pressure, until the hole is started enough to keep the drill bit from slipping out of it.
- Apply pressure in a straight line with the bit. Use enough pressure to keep the bit biting but not so much as to stall the motor or deflect the bit.
- **Hold the drill firmly with two hands to control its twisting action.**
- DO NOT CLICK THE TRIGGER OF A STALLED DRILL OFF AND ON IN AN ATTEMPT TO START IT. DAMAGE TO THE DRILL CAN RESULT.
- Minimize stalling on breakthrough by reducing pressure and slowly drilling through the last part of the hole.
- Keep the motor running while pulling the bit out of a drilled hole. This will help reduce jamming.
- Use a cutting lubricant when drilling metals. The exceptions are cast iron and brass which should be drilled dry. The lubricants that work best are sulphurised cutting oil or lard oil.
- When using twist drill bits to drill holes in wood, it will be necessary to pull the bits out frequently to clear chips from the flutes.
- **Make sure switch turns drill on and off.**

⚠ **WARNING:** It is important to support the work properly and to hold the drill firmly to prevent loss of control which could cause personal injury. If you have any questions on how to properly operate tool, call: **1-800-54-HOW-TO (544-6986)**.

DRILLING IN WOOD

Holes in wood can be made with the same twist drill bits used for metal or with spade bits. These bits should be sharp and should be pulled out frequently when drilling to clear chips from the flutes.

DRILLING IN METAL

Use a cutting lubricant when drilling metals. The exceptions are cast iron and brass which should be drilled dry. The cutting lubricants that work best are sulfurized cutting oil or lard oil.

DRILLING IN MASONRY

Use carbide tipped masonry bits. Refer to Drilling section. Keep even force on the drill but not so much that you crack the brittle material. A smooth, even flow of dust indicates the proper drilling rate.

Maintenance

Use only mild soap and damp cloth to clean the tool. Never let any liquid get inside the tool; never immerse any part of the tool into a liquid.

IMPORTANT: To assure product SAFETY and RELIABILITY, repairs, maintenance and adjustment (other than those listed in this manual) should be performed by authorized service centers or other qualified service organizations, always using identical replacement parts.

The RBRC™ Seal

The RBRC™ (Rechargeable Battery Recycling Corporation) Seal on the nickel-cadmium battery (or battery pack) indicates that the costs to recycle the battery (or battery pack) at the end of its useful life have already been paid by Black & Decker. In some areas, it is illegal to place spent nickel-cadmium batteries in the trash or municipal solid waste stream and the RBRC program provides an environmentally conscious alternative.

RBRC in cooperation with Black & Decker and other battery users, has established programs in the United States and Canada to facilitate the collection of spent nickel-cadmium batteries. Help protect our environment and conserve natural resources by returning the spent nickel-cadmium battery to an authorized Black & Decker service center or to your local retailer for recycling. You may also contact your local recycling center for information on where to drop off the spent battery, or call **1-800-8-BATTERY**.



Accessories

Recommended accessories for use with your tool are available from your local dealer or authorized service center. If you need assistance regarding accessories, please call:

1-800-54-HOW-TO (544-6986).

⚠ **WARNING:** The use of any accessory not recommended for use with this tool could be hazardous.

The following accessories should be used only in the sizes specified below:

BITS, METAL DRILLING – Up to 3/8" (9.5mm); BITS, MASONRY DRILLING – Up to 3/8" (9.5mm); WOOD DRILLING – Up to 1/2" (12.7mm).

Service Information

All Black & Decker Service Centers are staffed with trained personnel to provide customers with efficient and reliable power tool service. Whether you need technical advice, repair, or genuine factory replacement parts, contact the Black & Decker location nearest you. To find your local service location, refer to the yellow page directory under "Tools—Electric" or call: **1-800-54-HOW TO. (544-6986)**

Full Two-Year Home Use Warranty

Black & Decker (U.S.) Inc. warrants this product for two years against any defects in material or workmanship. The defective product will be replaced or repaired at no charge in either of two ways.

The first, which will result in exchanges only, is to return the product to the retailer from whom it was purchased (provided that the store is a participating retailer). Returns should be made within the time period of the retailer's policy for exchanges (usually 30 to 90 days after the sale). Proof of purchase may be required. Please check with the retailer for their specific return policy regarding returns that are beyond the time set for exchanges.

The second option is to take or send the product (prepaid) to a Black & Decker owned or authorized Service Center for repair or replacement at our option. Proof of purchase may be required. Black & Decker owned and authorized Service Centers are listed under "Tools-Electric" in the yellow pages of the phone directory.

This warranty does not apply to accessories. This warranty gives you specific legal rights and you may have other rights which vary from state to state. Should you have any questions, contact the manager of your nearest Black & Decker Service Center. This product is not intended for commercial use.

Free Warning Label Replacement: If your warning labels become illegible or are missing, call **1-800-544-6986** for a free replacement.

Imported by
Black & Decker (U.S.) Inc.,
701 E. Joppa Rd.
Towson, MD 21286 U.S.A.



See "Tools-Electric"
– Yellow Pages –
for Service & Sales



AVANT DE RETOURNER CE PRODUIT, POUR QUELQUE RAISON QUE CE SOIT, COMPOSEZ LE NUMÉRO SUIVANT :
1 (800) 54-HOW-TO (544-6986)

VOICI DES RENSEIGNEMENTS IMPORTANTS QU'IL VOUS FAUT CONNAÎTRE :

• Chargez la batterie pendant 9 heures avant la première utilisation. Pour plus de renseignements, voir "CHARGEMENT DU BLOC D'ALIMENTATION".

⚠ Règles de sécurité générales

⚠ **AVERTISSEMENT :** Assurez-vous de lire et de comprendre toutes les directives. Ne pas suivre les directives ci-dessous pourrait causer un choc électrique, un incendie et/ou de sérieuses blessures.

CONSERVEZ CES DIRECTIVES

Espace de travail

- **Assurez-vous que votre espace de travail soit propre et bien éclairé.** Les bancs encombrés et les endroits sombres sont souvent des causes d'accidents.
- **Ne faites pas fonctionner d'outils électriques dans une atmosphère inflammable, soit en présence de liquides inflammables, de gaz ou de poussière.** Les outils électriques produisent des étincelles qui peuvent enflammer la poussière ou les vapeurs. Ne les utilisez que dans les endroits bien aérés.
- **Éloignez les curieux, les enfants et les visiteurs lorsque vous utilisez un outil électrique.** Une distraction pourrait vous en faire perdre la maîtrise.

Sécurité en matière d'électricité

- **Ne pas utiliser le cordon de manière abusive, ni transporter l'outil en le tenant par le cordon. On doit tenir le cordon éloigné des sources de chaleur, de l'huile, des bords tranchants ou des pièces mobiles. Remplacer immédiatement les cordons endommagés,** car ces derniers augmentent les risques d'incendie.
- **Un outil à piles intégrées ou à bloc-pile externe doit être rechargé seulement au moyen du chargeur approprié,** car un chargeur destiné à une pile particulière pourrait entraîner un risque d'incendie lorsqu'il est utilisé avec une autre.
- **N'utiliser l'outil à piles qu'avec le bloc-pile désigné,** car l'utilisation d'un autre type de piles peut entraîner un risque d'incendie.

Sécurité personnelle

- **Soyez vigilant, faites attention à ce que vous faites et faites preuve de jugement lorsque vous utilisez un outil électrique. N'utilisez pas un outil lorsque vous êtes fatigué ou lorsque vous avez pris de la drogue, de l'alcool ou des médicaments.** Un moment d'inattention, lorsque vous utilisez un outil électrique, peut se solder par des blessures sérieuses.
- **Habillez-vous en conséquence. Ne portez pas de vêtements amples ni de bijoux qui pourraient s'enchevêtrer quelque part. Attachez les cheveux longs. Gardez les cheveux, les vêtements et les gants à l'écart des pièces mobiles.** Les vêtements amples, bijoux ou cheveux longs pourraient s'enchevêtrer dans les pièces mobiles. Tenez-vous à l'écart des fentes d'aération, car elles couvrent des pièces mobiles.
- **Attention de ne pas mettre l'outil en marche accidentellement. Assurez-vous que l'interrupteur soit en position d'arrêt avant de brancher l'outil.** Il est très dangereux de transporter un outil en gardant le doigt sur l'interrupteur ou de le brancher lorsque l'interrupteur est enclenché.
- **Retirez les clés de réglage ou les clés à molette avant de mettre l'outil en marche.** Une clé à molette ou une clé de réglage attachée à une partie pivotante peut causer des blessures.
- **Ne tendez pas trop les bras. Conservez votre équilibre en tout temps.** Un équilibre convenable vous permettra de maîtriser l'outil en situation inattendue.
- **Utilisez de l'équipement de sécurité. Portez toujours des verres protecteurs.** Selon les conditions, portez un masque anti-poussières, des souliers antidérapants, un casque de sécurité ou des protecteurs d'oreilles.

Utilisation et entretien de l'outil

- **Utilisez des attaches ou tout autre système permettant de soutenir et de retenir la pièce sur laquelle vous travaillez sur une plate-forme stable.** En retenant la pièce avec la main ou contre votre corps, vous risquez de perdre votre emprise.
- **Ne forcez pas l'outil. Utilisez le bon outil.** Le bon outil effectuera le travail de la bonne façon et en toute sécurité.
- **N'utilisez pas l'outil si l'interrupteur ne fonctionne pas.** Tout outil dont l'interrupteur ne fonctionne pas est dangereux et doit être réparé.
- **Débranchez la fiche du bloc d'alimentation avant de faire quelque ajustement que ce soit, de changer d'accessoire ou de ranger l'outil.** Une telle mesure de sécurité préventive réduit le risque de mettre l'outil en marche accidentellement.
- **Rangez les outils hors de la portée des enfants et des personnes sans expérience.** Les outils deviennent des appareils très dangereux dans des mains inexpérimentées.
- **Prenez soin de vos outils. Assurez-vous que vos outils coupants soient aiguisés et propres.** Lorsque vous les entretenez correctement, vos outils tranchants ne se tordent pas et sont plus faciles à maîtriser.
- **Vérifiez que les pièces mobiles ne soient pas désalignées, tordues, brisées ou dans un état qui pourrait affecter l'utilisation de l'outil. Si elles sont endommagées, faites réparer l'outil avant de l'utiliser.** Beaucoup d'accidents sont causés par des outils mal entretenus.
- **N'utilisez que les accessoires conseillés par le fabricant pour le modèle de votre outil.** Des accessoires qui conviennent à un outil peuvent devenir dangereux lorsqu'ils sont utilisés avec un autre outil.
- **Lorsqu'on n'utilise pas le bloc-pile, le ranger à l'écart des objets métalliques tels que les trombones, les pièces de monnaie, les clés, les clous, les vis ou autres petits objets susceptibles de conduire l'électricité entre les bornes et d'occasionner ainsi un court-circuit pouvant provoquer des étincelles, des brûlures ou un incendie.**

Réparation

- **La réparation d'outils doit être exécutée uniquement par un personnel de réparation formé.** Toute réparation ou tout entretien réalisé par un personnel non formé peut causer un risque de blessures.
- **Pour réparer un outil, n'utilisez que des pièces de rechange identiques. Suivez les directives figurant à la section « Entretien » du mode d'emploi.** L'utilisation de pièces non autorisées, ou le fait de ne pas suivre les directives d'entretien, peut entraîner un risque de choc électrique ou de blessure corporelle.

Règles de sécurité spécifiques

- **Tenez l'outil par sa surface de prise isolée dans une situation où l'outil de coupe peut entrer en contact avec un câblage caché ou avec son propre cordon d'alimentation.** Tout contact avec un fil « sous tension » mettra « sous tension » les pièces métalliques de l'outil et électrocutera l'opérateur de l'outil.
- **Lorsque vous travaillez sur une échelle ou sur un échafaudage, assurez-vous de déposer l'outil sur le côté lorsque vous ne l'utilisez pas.** Certains outils ont un gros bloc d'alimentation. En le plaçant à la verticale, vous risquez de le renverser.

⚠ **AVERTISSEMENT :** Certaines poussières produites par les activités de ponçage, sciage, meulage, perçage et autres activités de construction peuvent contenir des produits chimiques pouvant causer le cancer, des anomalies congénitales ou d'autres problèmes liés aux toxines reproductrices. Voici quelques exemples de ces produits chimiques :

- le plomb contenu dans les peintures à base de plomb;
- la silice cristalline de la brique, du ciment et d'autres produits de maçonnerie; et
- l'arsenic et le chrome provenant de bois traité chimiquement. (CCA)

Les risques reliés à l'exposition à ces poussières varient selon la fréquence à laquelle vous travaillez avec ce type de matériaux. Afin de réduire votre exposition à ces produits chimiques : travaillez dans un endroit bien ventilé et portez un équipement de sécurité approuvé comme un masque anti-poussières conçu spécialement pour filtrer les particules microscopiques.

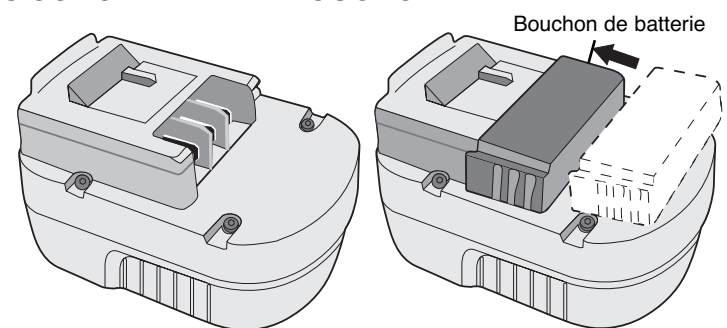
L'étiquette apposée sur votre outil peut comprendre les symboles suivants.

V	volts	A	ampères
Hz	hertz	W	watts
min	minutes	~	courant alternatif
====	pas de courant continu	no	pas de vitesse de rotation
☐	Construction classe II	⊕	borne de terre
⚠	symbole d'avertissement	.../min	révolutions ou alternance par minute

Avant d'utiliser cet outil, lisez attentivement les directives de la section « Importantes règles de sécurité ».

RENSEIGNEMENTS CONCERNANT LE BOUCHON DE LA BATTERIE

Le rangement de la batterie et les bouchons de transport sont fournis afin d'être utilisés lorsque la batterie n'est pas dans l'outil ou le chargeur. Enlevez le bouchon avant de mettre la batterie dans le chargeur ou l'outil.



⚠ **AVERTISSEMENT :** Ne rangez ni ne transportez la batterie de manière à ce que des objets métalliques puissent entrer en contact avec les bornes exposées de la batterie. Par exemple, ne mettez pas la batterie sans bouchon dans un tablier, une poche, une boîte à outils, une boîte de nécessaire de produit, un tiroir, etc. avec des clous, des vis, des clés, etc. Le transport de batteries peut causer un incendie si les bornes de batterie entrent en contact involontairement avec des matières conductives comme des clés, de la monnaie, des outils manuels et autres éléments semblables. La Hazardous Material Regulation du département américain des transports interdit en fait le transport des batteries pour le commerce et dans les avions (ex. : batteries emballées dans des valises et des bagages à main) À MOINS qu'elles soient bien protégées contre les courts-circuits. Si vous transportez des batteries individuelles, assurez-vous que les bornes soient protégées et bien isolées contre toute matière pouvant entrer en contact avec elles et causer un court-circuit.

MESURES DE PREMIERS SOINS POUR LES PARTIES EN GEL

Si le gel à l'intérieur de la poignée s'échappe et entre en contact avec la peau, lavez-la région touchée avec du savon et de l'eau. S'il entre en contact avec les yeux, rincez avec de l'eau. S'il est ingurgité, voyez tout de suite un médecin.

Vos pouvez obtenir une fiche toxicologique (MSDS) en composant le **1-800-544-6986**.

⚠ AVERTISSEMENTS DE SÉCURITÉ ET DIRECTIVES : CHARGEMENT

1. Ce mode d'emploi renferme d'importantes directives de sécurité et d'utilisation.
2. Avant d'utiliser le chargeur de batterie, lisez toutes les directives et les indications d'avertissement (1) sur le chargeur de batterie, (2) sur la batterie et (3) sur le produit utilisé avec la batterie.
3. ⚠ **MISE EN GARDE :** Pour réduire le risque de blessures, chargez seulement les blocs-pile Black & Decker. D'autres types de batteries peuvent exploser et causer des blessures corporelles et des dommages.
4. N'exposez pas le chargeur à la pluie ou à la neige.
5. L'utilisation d'un équipement non recommandé ou vendu par Black & Decker peut entraîner un incendie, un choc électrique ou des blessures corporelles.
6. Pour réduire le risque de dommages à la fiche et au cordon d'alimentation, tirez sur la fiche plutôt que sur le cordon.
7. Assurez-vous que le cordon est situé de manière à ce que personne ne marche dessus, trébuche ou à ce qu'il ne soit pas soumis à des dommages ou à une tension.
8. Il est préférable de ne pas utiliser une rallonge à moins que cela ne soit absolument nécessaire. L'utilisation d'une rallonge inadéquate peut entraîner un incendie, un choc électrique ou une électrocution.
 - a. Les cordons à deux fils peuvent être utilisés avec les rallonges à 2 ou 3 fils. Seules les rallonges rondes enveloppées doivent être utilisées, et nous recommandons qu'elles soient répertoriées par l'Underwriters Laboratories (U.L.). Si la rallonge est utilisée à l'extérieur, elle doit être prévue à cet effet. Tout cordon marqué pour un usage extérieur peut aussi être utilisé à l'intérieur. Les lettres « W » ou « WA » marquées sur l'enveloppe du cordon indiquent que le cordon convient à un usage extérieur.
 - b. Une rallonge doit présenter un calibre adéquat (AWG ou American Wire Gauge) pour assurer la sécurité et éviter toute perte d'alimentation et toute surchauffe. Plus le numéro de calibre de fil est petit et plus sa capacité est grande; par exemple un calibre 16 a plus de capacité qu'un calibre 18. Si vous utilisez plus d'une rallonge pour obtenir la longueur totale, assurez-vous que chaque rallonge présente au moins le calibre de fil minimum.

TABLEAU DES CALIBRES DE FILS MINIMUMS (AWG) POUR LES RALLONGES VALEUR NOMINALE DE LA PLAQUE SIGNALÉTIQUE A - 0 - 10,0

Longueur de rallonge totale (pi)	25	50	75	100	125	150
Épaisseur de fil	18	18	16	16	14	14

9. Utilisez seulement le chargeur fourni pour charger. L'utilisation de tout autre chargeur risque d'endommager la batterie ou de créer une condition dangereuse.
10. Utilisez un seul chargeur pour charger.
11. Ne tentez pas d'ouvrir le chargeur ou la perceuse. Aucune pièce à l'intérieur ne peut être réparée par le client. Retournez le produit à tout centre de réparation Black & Decker autorisé.
12. N'INCINÉREZ PAS la perceuse ou la batterie même si elles sont sérieusement endommagées ou complètement usées. Les batteries peuvent exploser dans un feu.
13. Une petite fuite de liquide peut se produire dans les cellules de batterie en cas d'utilisation extrême, de charge ou de conditions de température. Cela n'indique pas une défaillance. Toutefois, si le joint d'étanchéité extérieur est rompu et que la fuite de liquide entre en contact avec la peau :
 - a. Lavez rapidement la zone touchée au savon et à l'eau.
 - b. Neutralisez avec un acide doux comme du jus de citron ou du vinaigre.
 - c. Si le liquide de la batterie entre en contact avec les yeux, rincez-les abondamment à l'eau propre, pendant un minimum de 10 minutes, puis obtenez des soins médicaux.**NOTE AU MÉDECIN :** Le liquide est composé d'une solution de 25 % - 35% d'hydroxyde de potassium.

CHARGEMENT DU BLOC-PILE

LES PILES NE SONT PAS COMPLÈTEMENT CHARGÉES EN USINE. IL IMPORTE DONC DE LIRE ATTENTIVEMENT TOUTES LES CONSIGNES DE SÉCURITÉ AVANT DE LE CHARGER.

Le chargeur est conçu pour être branché dans une prise résidentielle standard de 120 volts et de 60 Hz.

1. S'assurer que la pile est bien enclenchée dans l'outil.. Insérer la fiche du chargeur dans le connecteur (fig.1).

- Brancher le chargeur dans une prise murale appropriée et charger les piles pendant 9 heures. Après la charge initiale et à la suite d'une utilisation normale, le bloc-pile devrait se charger complètement en 3 à 6 heures.

- Débrancher le chargeur de la prise murale, puis débrancher le chargeur de l'outil.

AVERTISSEMENT : Ne pas utiliser l'outil lorsqu'il est raccordé au chargeur.

REMARQUE : pour retirer le bloc-pile de l'outil, appuyer sur le bouton de dégagement situé à l'arrière du bloc-pile (figure 2) et tirer sur ce dernier pour le dégager.

CONSEILS IMPORTANTS CONCERNANT LE CHARGEMENT

- À la suite d'une utilisation normale, le bloc-pile devrait prendre de 3 à 6 heures pour se charger complètement, et jusqu'à 6 heures s'il est complètement déchargé. Le bloc-pile n'est pas chargé au moment de quitter l'usine; on doit donc le charger pendant au moins 9 heures avant de l'utiliser.
- Afin d'éviter d'endommager le bloc-pile, il est important de NE PAS le charger à des températures inférieures à 4,5 °C (40 °F) ou supérieures à 40,5 °C (105 °F). Pour augmenter la durée de vie du bloc-pile et optimiser son rendement, le charger à une température d'environ 24°C (75 °F).
- Le chargeur peut émettre un bourdonnement ou devenir chaud au toucher durant le chargement. Cela est normal et n'indique pas la présence d'un problème.
- Si le bloc-pile ne se charge pas normalement, il faut : (1) vérifier l'alimentation de la prise en y enfichant une lampe ou un appareil, (2) s'assurer que la prise n'est pas raccordée à un interrupteur qui coupe le courant lorsqu'on éteint les lumières, (3) placer le chargeur et le bloc-pile dans un endroit où la température ambiante est environ 4,5 °C (40 °F) à 40,5 °C (105 °F) ou, si le problème persiste, (4) retourner le bloc-pile et le chargeur au centre de service Black & Decker le plus près (les centres de service autorisés sont répertoriés dans les pages jaunes sous la rubrique «Outils - électriques»).
- Le bloc-pile doit être rechargé lorsqu'il ne produit pas suffisamment de courant pour permettre à l'utilisateur de travailler normalement. On doit CESSER d'utiliser la perceuse dans de telles conditions.
- On peut prolonger la durée de vie du bloc-pile en évitant de le laisser dans le chargeur pendant de longues périodes (plus de 30 jours lorsqu'on ne l'utilise pas). Bien que la surcharge du bloc-pile ne soit pas un problème au niveau de la sécurité, cette pratique peut réduire de façon appréciable sa durée de vie.
- Le bloc-pile atteindra son rendement optimal après avoir terminé cinq cycles de charge et de décharge au cours d'une utilisation normale. Il n'est pas nécessaire de décharger complètement le bloc-pile avant de le recharger. Le meilleur moyen de charger et de décharger le bloc-pile est de l'utiliser normalement.

Mode d'emploi INTERRUPTEUR DE DÉCLENCHEMENT ET BOUTON INVERSEUR - FIGURE 3

La perceuse est mise en positions de MARCHE et d'ARRÊT en tirant et en relâchant l'interrupteur de déclenchement de la figure 3.

Plus le déclencheur est abaissé, plus la vitesse de la perceuse augmente. Un bouton de commande marche avant/marche arrière détermine la direction de l'outil et sert aussi de bouton de verrouillage. Pour choisir une rotation en marche avant, relâcher l'interrupteur de déclenchement et abaissez le bouton de commande marche avant/marche arrière. Pour choisir la marche arrière, abaissez le bouton de commande marche avant/marche arrière en direction opposée. La position du centre du bouton de commande verrouille l'outil en position d'arrêt. Lorsque vous changez la position du bouton de commande, assurez-vous que le déclencheur soit relâché.

CORRECTEUR DE COUPLE - FIGURE 4

Pour régler le correcteur de couple, faites tourner le collet ajustable du correcteur jusqu'à la position désirée. Il y a 6 embrayages possibles. Pour du travail léger ou pour de petites vis, réglez le collet sur un petit chiffre. Chaque dé clic dans le sens des aiguilles d'une montre indique une augmentation du couple. Sa position la plus élevée est le mode perceuse. Il est indiqué par une icône représentant une perceuse. Dans cette position, l'embrayage ne fonctionnera pas. Ceci permet un perçage à grand rendement.

MANDRIN SANS CLÉ

Pour insérer une mèche ou autre accessoire :

- Saisissez la partie inférieure du mandrin avec une main et utilisez l'autre pour faire tourner la partie supérieure du mandrin dans le sens contraire des aiguilles d'une montre, si vous regardez la perceuse par derrière.
- Insérez complètement la mèche ou tout autre accessoire dans le mandrin et serrez fermement en retenant la partie inférieure du mandrin et en faisant tourner sa partie supérieure dans le sens des aiguilles d'une montre, si vous regardez la perceuse par derrière.

AVERTISSEMENT : N'essayez pas de resserrer les mèches (ou tout autre accessoire) en saisissant la partie supérieure du mandrin et en mettant l'outil en marche. Vous endommageriez le mandrin et vous pourriez vous blesser.

POUR VISSER

Pour visser des attaches, poussez le bouton de marche arrière vers la gauche. Utilisez la marche arrière (le bouton poussé à droite) pour retirer les attaches. Lorsque vous passez de la marche avant à la marche arrière, ou vice versa, assurez-vous de relâcher d'abord le déclencheur.

RANGEMENT DES EMBOUTS SUR L'OUTIL

Il y a une fente pour le rangement des embouts juste au-dessus de la batterie.

PERÇAGE

- N'utilisez que des embouts bien aiguisés.
- Assurez-vous que la surface de travail soit stable, tel qu'indiqué dans les directives de sécurité.
- Utilisez l'équipement de sécurité approprié, tel qu'indiqué dans les directives de sécurité.
- Assurez-vous que la surface de travail soit stable, tel qu'indiqué dans les directives de sécurité.
- Faites tourner la perceuse très lentement, utilisant peu de pression, jusqu'à ce que le trou soit suffisamment grand pour que l'embout ne glisse pas.
- Exercez une pression en ligne droite avec l'embout. Utilisez suffisamment de pression pour que l'embout continue de percer sans faire forcer le moteur ou dévier l'embout.
- Tenez fermement la perceuse avec les deux mains afin de contrôler sa torsion.**
- NE TENEZ PAS DE FAIRE DÉMARRER UNE PERCEUSE BLOQUÉE EN UTILISANT LE DÉCLENCHEUR. VOUS POURRIEZ L'ENDOMMAGER.**
- Évitez les blocages en réduisant la pression lorsque vous effectuez un perçage et percez lentement dans la partie inférieure du trou.
- N'arrêtez pas le moteur lorsque vous retirez l'embout du trou percé. Vous réduirez ainsi les blocages.
- Utilisez un lubrifiant de coupe lorsque vous percez du métal. Seuls la fonte et le laiton doivent être percés à sec. Les meilleurs lubrifiants sont l'huile de coupe sulfurisée et l'huile de lard.
- Lorsque vous utilisez des embouts hélicoïdaux pour percer des trous dans du bois, vous devez retirer fréquemment l'embout afin de retirer les copeaux des cannelures.
- Assurez-vous que l'interrupteur fonctionne.**

AVERTISSEMENT : Pour éviter toute blessure, il est important que la surface de travail soit stable et que vous teniez la perceuse fermement afin d'en conserver le contrôle. Pour toute question sur l'utilisation de cet outil, composez le : **1 (800) 54-HOW-TO (544-6986)**.

PERÇAGE DANS LE BOIS

Vous pouvez utiliser les embouts hélicoïdaux qui percent le métal ou les embouts à trois pointes. Ces embouts doivent être bien aiguisés et doivent être fréquemment retirés pour nettoyer les cannelures.

PERÇAGE DANS LE MÉTAL

Utilisez un lubrifiant de coupe lorsque vous percez du métal. Seuls la fonte et le laiton doivent être percés à sec. Les meilleurs lubrifiants sont l'huile de coupe sulfurisée et l'huile de lard.

PERÇAGE DANS DE LA MAÇONNERIE

Utilisez des embouts tranchants en carbure pour la maçonnerie. Reportez-vous à la section sur le perçage. Conservez une bonne pression sur la perceuse, mais faites attention de ne pas faire craquer ce matériel cassant. Une évacuation continue de poussière indique que votre vitesse de perçage est adéquate.

Entretien

N'utilisez qu'un détergent doux et un chiffon humide pour nettoyer l'outil. Ne laissez jamais de liquide pénétrer dans l'outil et n'immergez aucune partie de l'outil dans un liquide.

IMPORTANT : Pour garantir la SÉCURITÉ et la FIABILITÉ du produit, les réparations, l'entretien et le réglage (autre que ceux énumérés dans ce manuel) doivent être réalisés par un centre de réparation autorisé ou tout autre centre de réparation professionnel, et les des pièces de rechange identiques doivent être utilisées.

Le sceau RBRC™

Le sceau RBRC™ (Rechargeable Battery Recycling Corporation) sur la batterie au nickel cadmium (ou sur le bloc de batterie) indique que le coût de recyclage de cette batterie (ou de ce bloc de batterie) à la fin de sa vie utile sera payé par Black & Decker. Dans certaines régions, il est illégal de jeter les batteries au nickel cadmium dans les poubelles ou dans le système municipal d'évacuation des résidus solides. Le programme RBRC représente donc une alternative sensibilisée à l'environnement.

RBRC en collaboration avec Black & Decker et d'autres utilisateurs de batteries ont établi aux États-Unis et au Canada des programmes facilitant la cueillette des batteries au nickel cadmium épuisées. Aidez-nous à protéger l'environnement et à conserver nos ressources naturelles en retournant les batteries au nickel cadmium épuisées à un centre de service Black & Decker ou à votre vendeur local pour qu'elles soient recyclées. Vous pouvez aussi communiquer avec votre centre local de recyclage qui vous dira où aller porter vos batteries épuisées ou composer le numéro **1-800-8-BATTERY**.

Accessoires

Les accessoires recommandés pouvant être utilisés avec l'outil sont disponibles auprès de votre distributeur local ou centre de réparation autorisé. Pour tout renseignement concernant les accessoires, veuillez appeler au : **1 (800) 54-HOW-TO (544-6986)**.

AVERTISSEMENT : L'utilisation de tout accessoire non recommandé avec cet outil pourrait s'avérer dangereuse.

Les accessoires suivants ne devraient être utilisés que pour les grandeurs spécifiées ci-dessous :

EMBOUS POUR LE PERÇAGE DU MÉTAL - Jusqu'à 9,5 mm (3/8"); EMBOUTS POUR LE PERÇAGE DE MAÇONNERIE - Jusqu'à 9,5 mm (3/8"); EMBOUTS POUR LE PERÇAGE DE BOIS - Jusqu'à 12,7 mm (1/2").

Information sur les réparations

Tous les centres de service Black & Decker sont dotés de personnel qualifié en matière d'outillage électrique; ils sont donc en mesure d'offrir à leur clientèle un service efficace et fiable. Que vous ayez besoin d'un avis technique, d'une réparation ou de pièces de rechange authentiques installées en usine, communiquez avec l'établissement Black & Decker le plus près de chez vous. Pour trouver l'établissement de réparation de votre région, consulter le répertoire des pages jaunes à la rubrique « Outils électriques » ou composez le numéro suivant : **1 (800) 54-HOW-TO. (544-6986)**

Garantie complète de deux ans pour une utilisation domestique

Black & Decker (É.-U.) Inc. garantit ce produit pour une durée de deux ans contre tout défaut de matériau ou de fabrication. Tout produit défectueux sera remplacé ou réparé sans frais de l'une des deux façons suivantes :

La première façon consiste en un échange chez le détaillant où le produit a été acheté (à la condition que le magasin soit un détaillant participant). Tout retour doit se faire durant la période correspondant à la politique d'échange du détaillant (habituellement, entre 30 et 90 jours après l'achat). Une preuve d'achat peut être requise. Vérifiez auprès du détaillant pour connaître sa politique concernant les retours hors de la période définie pour les échanges.

La deuxième option est d'apporter ou d'envoyer le produit (transport payé d'avance) à un centre de réparation autorisé ou à un centre de service de Black & Decker pour faire réparer ou échanger le produit, à notre discrétion. Une preuve d'achat peut être requise. Les Centres de service de Black & Decker apparaissent sous "Outils électriques" dans les pages jaunes de l'annuaire téléphonique.

Cette garantie ne s'applique pas aux accessoires. Cette garantie vous accorde des droits légaux spécifiques et vous pourriez avoir d'autres droits qui varient d'un État ou d'une province à l'autre. Si vous avez des questions, communiquez avec le directeur du centre de réparation Black & Decker le plus près de chez vous.

Ce produit n'est pas destiné à un usage commercial.

Remplacement gratuit des étiquettes d'avertissement : Si vos étiquettes d'avertissement deviennent illisibles ou sont manquantes, composez le **1 (800) 544-6986** pour faire remplacer gratuitement vos étiquettes.

Imported by / Importé par
Black & Decker Canada Inc.
100 Central Ave.
Brockville (Ontario) K6V 5W6

Voir 'Outils électriques'
- Pages Jaunes -
pour Service et ventes



ANTES DE DEVOLVER ESTE PRODUCTO
POR CUALQUIER MOTIVO, LLAME AL

(55)5326-7100

INFORMACIÓN CLAVE QUE USTED DEBE CONOCER:

- Cargue la batería durante 9 horas antes de usarla por primera vez. Para obtener más información, consulte "CARGA DEL PAQUETE DE ENERGÍA".

AVERTISSEMENT : NORMAS GENERALES DE SEGURIDAD

AVERTENCIA: Lea y comprenda todas las instrucciones. El incumplimiento de todas y cada una de las instrucciones enumeradas debajo puede provocar una descarga eléctrica, un incendio o daños personales serios.

GUARDE ESTAS INSTRUCCIONES

Área de trabajo

- **Mantenga el área de trabajo limpia y bien iluminada.** Los bancos de trabajo abarrotados y las áreas oscuras propician accidentes.
- **No opere herramientas eléctricas en atmósferas explosivas, como ambientes donde se encienden líquidos, gases o polvo inflamables.** Las herramientas eléctricas originan chispas que pueden encender el polvo o despedir humo. Utilícelas sólo en lugares bien ventilados.
- **Mantenga a espectadores, niños y visitantes lejos de la herramienta eléctrica en funcionamiento.** Las distracciones pueden provocar la pérdida de control.

Seguridad eléctrica

- **No maltrate al cable. Nunca use el cable para transportar herramientas ni tire del enchufe para sacarlo del tomacorriente.** Mantenga el cable lejos del calor, aceite, bordes afilados o piezas móviles. Reemplace los cables dañados en forma inmediata. Los cables dañados aumentan el riesgo de descarga eléctrica.
- **Las herramientas operadas a batería que poseen baterías integradas o una unidad independiente de alimentación deben ser recargadas solamente con el cargador especificado para la batería.** Algunos cargadores pueden ser apropiados para un tipo de batería pero pueden crear riesgo de incendio cuando se utilizan con otra.
- **Sólo utilice la herramienta operada a batería con la unidad de alimentación específicamente designada para ella.** El uso de cualquier otra batería puede crear riesgo de incendio.

Seguridad personal

- **Permanezca alerta, controle lo que está haciendo y utilice el sentido común cuando emplee una herramienta eléctrica. No utilice herramientas si está cansado o bajo el efecto de drogas, alcohol o medicamentos.** Un momento de descuido mientras se opera una herramienta eléctrica podría provocar daños personales graves.
- **Vístase apropiadamente. No use ropas sueltas ni joyas. Sujete el cabello largo.** Mantenga el cabello, ropas y guantes alejados de las piezas móviles. Las ropas sueltas,

joyas o el cabello largo pueden ser atrapados en las piezas móviles. Se deben evitar los orificios de ventilación que cubren las piezas móviles.

- **Evite el encendido por accidente. Asegúrese de que el interruptor esté apagado antes de enchufar.** Si transporta herramientas con su dedo apoyado sobre el interruptor o conecta una herramienta con el interruptor en encendido, puede propiciar accidentes.
- **Retire las clavijas de ajuste o llave de tuercas antes de encender la herramienta.** Una llave de tuercas o clavija que se deja conectada a un pieza giratoria de la herramienta podría provocar daños personales.
- **No se estire. Conserve el equilibrio adecuado y manténgase bien parado en todo momento.** El equilibrio adecuado mientras se está de pie permite un mejor control de la herramienta en situaciones inesperadas.
- **Use equipo de seguridad. Siempre utilice protección para los ojos.** Se debe usar máscara para polvo, calzado de seguridad antideslizante, casco, o protección auditiva en las condiciones apropiadas.

Uso y cuidados de la herramienta

- **Utilice abrazaderas u otra forma práctica para asegurar y soportar la pieza de trabajo en una plataforma estable.** Sostener el trabajo con la mano o contra el cuerpo es inestable y puede conducir a la pérdida de control.
- **No fuerce la herramienta. Utilice la herramienta correcta para el trabajo que realizará.** La herramienta correcta hará el trabajo mejor y más seguro a la velocidad a la que fue diseñada.
- **No utilice la herramienta si el interruptor no la enciende ni la apaga.** Toda herramienta que no puede ser controlada mediante el interruptor es peligrosa y debe ser reparada.
- **Desconecte el enchufe de la fuente de energía antes de realizar ningún ajuste, cambiar accesorios o guardar la herramienta.** Estas medidas de seguridad preventivas reducen el riesgo de encender la herramienta en forma accidental.
- **Guarde las herramientas que no están en uso fuera del alcance de los niños y de personas no entrenadas.** Las herramientas son peligrosas en las manos de usuarios no entrenados.
- **Conserve las herramientas con cuidado. Mantenga las herramientas de corte afiladas y limpias.** Las herramientas con mantenimiento adecuado, con bordes de corte afilados son menos propensas a doblarse y son más fáciles de controlar.
- **Controle que no haya piezas móviles desalineadas o dobladas, rotura de piezas y toda otra situación que pueda afectar el funcionamiento de la herramienta. Si encuentra daños, envíe la herramienta a reparaciones antes de utilizarla.** Se producen muchos accidentes a causa de las herramientas que carecen de un mantenimiento adecuado.
- **Utilice sólo accesorios recomendados por el fabricante para el modelo que posee.** Los accesorios que pueden ser aptos para una herramienta, pueden convertirse en riesgosos cuando se los utiliza en otra herramienta.
- **Cuando la unidad de alimentación no esté en uso, manténgala alejada de otros objetos metálicos tales como: sujetapapeles, monedas, llaves, clavos u otros objetos metálicos pequeños que podrían generar una conexión entre sus terminales.** Provocar un cortocircuito entre los terminales de la batería puede causar chispas, quemaduras o incendios.

Mantenimiento

- **El mantenimiento de la herramienta debe ser realizado únicamente por personal de reparaciones calificado.** El mantenimiento realizado por personal no calificado puede provocar riesgo de daños personales.
- **Al reparar una herramienta, sólo utilice piezas de repuesto idénticas. Siga las instrucciones de la sección Mantenimiento de este manual.** El uso de piezas no autorizadas o el incumplimiento de las instrucciones de mantenimiento puede crear un riesgo de descarga eléctrica o daño personal.

Normas de seguridad específicas

- **Sostenga la herramienta por las superficies de agarre aisladas cuando realiza una operación donde la herramienta de corte puede tocar cables eléctricos escondidos o su propio cable.** El contacto con un cable con corriente eléctrica hará que las partes metálicas expuestas de la herramienta tengan corriente y el operador sufra una descarga eléctrica.
- **Cuando trabaje subido a una escalera o a un andamiaje, asegúrese de apoyar la herramienta de costado mientras no la use.** Algunas herramientas de paquetes de baterías grandes permanecerán en forma vertical, pero pueden ser fácilmente derribadas.
- **ADVERTENCIA: Algunas partículas originadas al lijar, serruchar, moler, taladrar y otras actividades de construcción contienen productos químicos reconocidos como causantes de cáncer, defectos de nacimiento u otros problemas reproductivos. Algunos ejemplos de estos productos químicos son:**
 - plomo de pinturas de base plomo,
 - sílice cristalino de ladrillos, cemento y otros productos de mampostería y
 - arsénico y cromo de la madera con tratamiento químico. (CCA)

El riesgo derivado de estas exposiciones varía, según la frecuencia en la que se realice este tipo de trabajo. Para reducir la exposición a estos productos químicos: se recomienda trabajar en áreas bien ventiladas y usar equipos de seguridad aprobados, como las máscaras para polvo que están diseñadas especialmente para filtrar las partículas microscópicas.

La etiqueta de su herramienta puede incluir los siguientes símbolos.

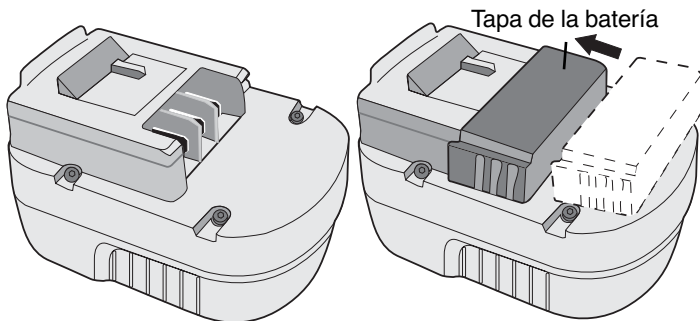
V	voltios	A.....	amperios
Hz	hertz	W	vatios
min	minutos	~	corriente alterna
====	corriente continua	no	sin velocidad de carga
☐	Construcción de clase II	⊕	terminal a tierra
⚠	símbolo de alerta seguridad	.../min	revoluciones o reciprocidad por minuto

Antes de hacer funcionar esta herramienta, lea cuidadosamente todas las instrucciones de la sección "Instrucciones de seguridad importantes".

INFORMACIÓN SOBRE LA TAPA DE LA BATERÍA

Se proveen tapas para almacenamiento y transporte de las baterías, para utilizar siempre cuando la batería esté fuera de la herramienta o del cargador.

Retire la tapa antes de colocar la batería en el cargador o en la herramienta.



• **ADVERTENCIA:** No guarde o transporte la batería de ninguna manera que permita que los terminales expuestos de la batería entren en contacto con objetos metálicos. Por ejemplo, no coloque la batería en delantales, bolsillos, cajas de herramientas, cajas de juegos de productos, cajones, etc. con clavos, llaves, tornillos sueltos, etc. sin la tapa de batería. Transportar baterías posiblemente puede provocar incendios si los terminales de la batería entran en contacto accidentalmente con materiales conductores como llaves, monedas, herramientas de mano o similares. Las Normas para Materiales Peligrosos del Departamento de Transporte de EE.UU. (HMR por su sigla en inglés) en realidad prohíben transportar baterías comercialmente o en aeroplanos (es decir, empacadas en valijas y equipaje de mano) A MENOS que estén protegidas correctamente de cortocircuitos. Así que cuando transporte baterías individuales, asegúrese de que los terminales de la batería están protegidos y bien aislados de materiales que puedan hacer contacto y causar un cortocircuito.

PRIMEROS AUXILIOS INDICADOS PARA COMPONENTES DE GEL

Si el gel que contiene la agarradera queda expuesto y toma contacto con la piel, lave con jabón y agua;

Si toma contacto con los ojos, enjuague con abundante agua. Si se traga, busque atención médica.

Si necesita la Hoja de datos de seguridad del material (MSDS), llame al (55)5326-7100

INSTRUCCIONES Y ADVERTENCIAS DE SEGURIDAD: CARGA

1. Este manual contiene instrucciones de operación y seguridad importantes.
2. Antes de usar el cargador de baterías, lea todas las instrucciones y todas las indicaciones de precaución en (1) el cargador de baterías, (2) la batería, y (3) el producto que utiliza la batería.
3. **PRECAUCIÓN:** Para reducir el riesgo de daños personales, cargue sólo unidades de alimentación de Black & Decker. Otros tipos de baterías pueden reventarse y provocar daños personales y materiales.
4. No exponga el cargador a la lluvia ni a la nieve.
5. El uso de un accesorio no recomendado o no vendido por Black & Decker puede provocar riesgos de incendio, descarga eléctrica o daños personales.
6. Para reducir el riesgo de avería en los enchufes y cable eléctricos, tire del enchufe y no del cable al desconectar el cargador.
7. Asegúrese de que el cable esté ubicado de manera que no se lo pise, se tropiece o esté sujeto a daños o tensiones de alguna otra manera
8. No se debería utilizar un cable prolongador a menos que sea absolutamente necesario. El uso de un cable prolongador incorrecto puede provocar riesgo de incendio, descarga eléctrica o electrocución.
 - a. Se pueden usar cables de dos conductores con cables prolongadores de dos o tres conductores. Sólo se deben utilizar cables prolongadores con cubierta redonda, y recomendamos que estén en la lista de Underwriters Laboratories (U.L.). Si la prolongación se va a utilizar en el exterior, el cable debe ser apropiado para usar en exteriores. Cualquier cable indicado para uso en exteriores también se puede utilizar en interiores. Las letras "W" o "WA" en la cubierta del cable indican que el cable es apropiado para uso en el exterior.
 - b. Un cable prolongador debe tener una medida de conductor adecuada (AWG o Medida de conductor estadounidense) por seguridad, y para evitar pérdida de energía y recalentamiento. A menor número de calibre del conductor, mayor será la capacidad del cable; es decir, un calibre 16 tiene más capacidad que un calibre 18. Cuando se utiliza más de una prolongación para lograr la longitud total, asegúrese de que cada prolongación tenga la medida mínima de conductor.

TABLA DE TAMAÑO MÍNIMO PARA CONDUCTORES (AWG) DE CABLES PROLONGADORES AMPS SEGÚN PLACA - 0 - 10.0

Longitud total del cable prolongador (en pies)	25	50	75	100	125	150
Calibre del conductor	18	18	16	16	14	14

9. Utilice sólo el cargador suministrado para cargar. El uso de cualquier otro cargador puede dañar la batería o provocar una condición de riesgo.
10. Utilice un solo cargador cuando carga.
11. No intente abrir el cargador o el taladro. No contiene elementos a los que el cliente pueda hacerles mantenimiento. Devuelva a cualquier centro de mantenimiento Black & Decker autorizado.
12. NO incinere el taladro o la batería aunque estén muy averiados o completamente gastados. Las baterías pueden explotar en el fuego.
13. Puede ocurrir una pequeña pérdida de líquido de las celdas de la batería bajo condiciones de uso, de carga o de temperaturas extremas. Esto no indica una falla. Sin embargo, si el sello externo está roto y esta pérdida toca su piel:
 - a. Lave rápidamente con agua y jabón.
 - b. Neutralice con un ácido suave como jugo de limón o vinagre.
 - c. Si el líquido de la batería entra en contacto con sus ojos, lávelos con agua limpia durante al menos 10 minutos y busque atención médica inmediatamente. **NOTA MÉDICA:** El líquido es una solución de hidróxido de potasio al 25-35%.

CÓMO CARGAR LA UNIDAD DE ALIMENTACIÓN

LAS BATERÍAS DE SU UNIDAD DE ALIMENTACIÓN NO VIENEN COMPLETAMENTE CARGADAS DE LA FÁBRICA. ANTES DE INTENTAR CARGARLAS, LEA CONCIENZUDAMENTE TODAS LAS INSTRUCCIONES DE SEGURIDAD.

El cargador está diseñado para utilizar la corriente doméstica estándar de 120 voltios 60 Hz.

1. Asegúrese que la batería esté bien conectada al taladro. Conecte el cargador al conector, como lo muestra la Figura 1.
2. Enchufe el cargador en cualquier toma de corriente estándar de 120 voltios 60 Hz y deje que la batería se cargue inicialmente por 9 horas. Luego de la carga inicial, su unidad de alimentación debería cargarse completamente en 3 a 6 horas, si tiene una frecuencia de uso normal.
3. Desconecte el cargador de la toma de corriente, luego desconecte el cargador de la herramienta.

• **ADVERTENCIA:** No use la herramienta mientras se encuentra conectada al cargador.

• **NOTA:** Para quitar la batería del taladro, presione el pulsador de liberación que se encuentra en la parte posterior de la batería (Figura 2) y deslícela hacia afuera.

NOTAS IMPORTANTES RESPECTO AL PROCESO DE CARGA

1. Luego de un uso normal, su unidad de alimentación debería quedar completamente cargada en 3 a 6 horas. Si la unidad de alimentación ha sido completamente agotada, puede tomar hasta 6 horas en cargarse por completo. Su unidad de alimentación no viene cargada de la fábrica. Antes de intentar usarla, debe ser cargada por al menos 9 horas.
2. NO cargue la unidad de alimentación cuando la temperatura del aire sea menor a 40°F (-4°C) o mayor a 105°F (~40°C). Esto es importante y prevendrá que la unidad de alimentación sea seriamente dañada. Se puede lograr una mayor duración y mejor rendimiento si la unidad de alimentación se carga cuando la temperatura del aire sea de aproximadamente 75°F (~24°C).
3. Mientras carga, el cargador puede emitir un zumbido y hacerse caliente al tacto. Esto es normal y no indica un problema.
4. Si la unidad de alimentación no se carga bien — (1) Revise que la toma de corriente funcione bien. Enchufe una lámpara u otro aparato en ella. (2) Revise si la toma de corriente está conectada a un interruptor que apaga la corriente cuando apaga la luz. (3) Lleve el cargador y la unidad de alimentación a un lugar cuya temperatura ambiental sea entre 40 y 105°F (~4 a 40°C). (4) Si el enchufe y la temperatura están bien y aún no consigue cargar la batería, traiga o envíe su unidad de alimentación y cargador a su centro local de servicio Black & Decker. Busque bajo 'Herramientas eléctricas' en las páginas amarillas.
5. La unidad de alimentación debería ser recargada cuando no sea capaz de producir suficiente potencia para trabajos que eran fácilmente realizados antes. NO SIGA usando el producto cuando su unidad de alimentación se encuentre agotada.
6. Para prolongar la duración de la unidad de alimentación, evite dejarla cargando durante períodos de tiempo muy largos (más de 30 días sin usar). A pesar que el sobrecargarla no es motivo de preocupación desde el punto de vista de seguridad, puede reducir significativamente la duración general de la unidad de alimentación.
7. La unidad de alimentación alcanzará su rendimiento óptimo una vez que haya sido recargada 5 veces durante uso normal. No es necesario agotar las baterías por completo antes de recargarlas. El uso normal es la mejor manera de descargar y recargar las baterías.

Instrucciones de operación

INTERRUPTOR DISPARADOR Y BOTÓN DE INVERSIÓN - FIGURA 3

El taladro se ENCIENDE y APAGA tirando y liberando el interruptor disparador que se muestra en la Figura 3. Cuanto más se oprima al disparador, mayor será la velocidad del taladro. El botón de control de avance y retroceso determina la dirección de la herramienta y también sirve como botón bloqueador. Para seleccionar la rotación de avance, libere el interruptor disparador y oprima el botón de control de avance y retroceso. Para seleccionar retroceso, oprima el botón de control avance y retroceso en la dirección opuesta. La posición del centro del botón de control bloquea la herramienta en la posición de apagado. Al cambiar la posición del botón de control, asegúrese de que el disparador esté liberado.

CONTROL DE TORSIÓN - FIGURA 4

Para fijar la torsión de la herramienta, gire el anillo de torsión ajustable como se necesite. Hay 6 configuraciones de embrague en total. Para trabajos livianos donde se utilizan tornillos pequeños, fije el anillo en un número bajo del anillo. Cada vez que haga clic en dirección de las agujas del reloj, implica un aumento en la torsión producida. La posición más alta es el modo taladro y se indica por un ícono de broca de taladro. El embrague no funciona en esta posición. Permite taladrar en trabajos pesados.

MANDRIL SIN LLAVE

Para insertar una broca de taladro u otro accesorio:

1. Tome la mitad posterior del mandril con una mano y use la otra mano para girar la mitad de frente en dirección contraria a las agujas del reloj, vista desde el extremo del mandril.
2. Inserte por completo la broca u otro accesorio en el mandril, y ajuste para asegurar sosteniendo la mitad posterior del mandril y girando la porción de frente en la dirección de las agujas del reloj, vista desde el extremo del mandril.

⚠ **ADVERTENCIA:** No intente ajustar las brocas de taladro (o cualquier otro accesorio) tomando la parte de frente del mandril y encendiendo la herramienta. Se pueden provocar daños al mandril y daños personal al cambiar los accesorios.

DESTORNILLADO

Para impulsar remaches, el botón de inversión debe estar empujado hacia la izquierda. Use la inversa (botón empujado hacia la derecha) para retirar remaches. Al cambiar de avance a retroceso, o viceversa, siempre libere el interruptor disparador primero.

GUARDADO DE LA BROCA EN LA HERRAMIENTA

Hay una ranura para guardar brocas en el área justo arriba de la batería.

TALADRADO

- Utilice solamente brocas de taladro afiladas.
- Soporte y asegure el trabajo adecuadamente, según se indica en las Instrucciones de seguridad.
- Utilice equipos adecuados necesarios para seguridad, como se indica en las Instrucciones de seguridad.
- Asegure y mantenga el área de trabajo, según se indica en las Instrucciones de seguridad.
- Haga funcionar el taladro muy lentamente, utilizando poca presión, hasta que el orificio producido sea tal que contenga la broca y evite que se deslice del mismo.
- Aplique presión en línea recta con la broca. Utilice presión suficiente para mantener la broca funcionando, pero no tanto como para no ahogar el motor o ladear la broca.
- Sostenga firmemente el taladro con las dos manos para controlar la torsión.
- **NO MUEVA EL DISPARADOR PARA ENCENDER O APAGAR EL TALADRO, SI ÉSTE SE PARÓ. SE PODRÍA DAÑAR EL TALADRO.**
- Minimice las paradas en la perforación, reduciendo la presión y taladrando lentamente hasta la última parte del orificio.
- Mantenga el motor en funcionamiento mientras retira la broca de un orificio taladrado. Esto ayudará a reducir atascamientos.
- Utilice un lubricante de corte cuando taladra metales. Son excepciones el hierro fundido y el bronce, los que se deben taladrar en seco. Los lubricantes que funcionan mejor son el aceite de corte sulfurizado o el aceite de grasa de cerdo.
- Cuando se utilizan brocas de taladro helicoidales para hacer orificios en madera, se deberá retirar las brocas frecuentemente para limpiar las virutas de las ranuras.
- **Asegúrese de que el interruptor encienda y apague el taladro.**

⚠ **ADVERTENCIA:** Es importante apoyar bien el trabajo y sostener el taladro firmemente para evitar la pérdida de control, la que podría provocar daños personales. Si tiene dudas acerca de cómo hacer funcionar adecuadamente la herramienta, llame al: **(55)5326-7100**

TALADRADO EN MADERA

Los orificios en madera se pueden realizar con las mismas brocas de taladro helicoidales que se usan para metales o con brocas de pala.

Estas brocas deben estar afiladas y se deben retirar con frecuencia mientras se taladra para limpiar las virutas de las ranuras.

TALADRADO EN METALES

Utilice un lubricante de corte cuando taladra metales. Son excepciones el hierro fundido y el bronce, los que se deben taladrar en seco. Los lubricantes de corte que funcionan mejor son el aceite de corte sulfurizado o el aceite de grasa de cerdo.

TALADRADO EN MAMPOSTERÍA

Utilice brocas para mampostería con puntas de carburo. Consulte la sección Taladrado. Mantenga una fuerza pareja sobre el taladro, pero que no sea tanta como para agrietar el material frágil. Un flujo parejo y suave de polvo indica una velocidad de taladrado adecuada.

Mantenimiento

Para limpiar la herramienta, sólo utilice jabón suave y un paño húmedo. Nunca permita que penetre líquido dentro de la herramienta y nunca sumerja ninguna parte de la herramienta en un líquido.

IMPORTANTE: Para asegurar la SEGURIDAD y la CONFIABILIDAD del producto, las reparaciones, el mantenimiento y los ajustes (otros que no estén enumerados en este manual) se deben realizar en los centros de mantenimiento autorizados o en otras organizaciones de mantenimiento calificadas, utilizando siempre piezas de repuesto idénticas.

El sello RBRC™

El sello RBRC™ (Reciclado de baterías) que se encuentra sobre la batería de níquel-cadmio (o paquete de baterías) indica que los costos para reciclar la batería (o el paquete de baterías) al final de su vida útil ya ha sido pagado por Black & Decker. En algunas zonas, es ilegal tirar las baterías usadas de níquel-cadmio en la basura o en el flujo de desechos sólidos del municipio. El programa RBRC proporciona una alternativa de conciencia sobre el cuidado del medio ambiente.

RBRC en cooperación con Black & Decker y otros usuarios de baterías, estableció programas en los Estados Unidos y Canadá para facilitar la recolección de baterías de níquel-cadmio ya usadas. Ayude a proteger nuestro medio ambiente y a conservar los recursos naturales devolviendo las baterías de níquel-cadmio ya usadas a un centro de mantenimiento autorizado Black & Decker o a un comerciante minorista para que sean recicladas. También puede comunicarse con el centro de reciclado para obtener información o dónde dejar las baterías, o llame al **(55)5326-7100**

Accesorios

Los accesorios que se recomiendan para la herramienta están disponibles en su distribuidor local o en el centro de mantenimiento autorizado. Si necesita ayuda con respecto a los accesorios, llame al: **(55)5326-7100**

⚠ **ADVERTENCIA:** El uso de accesorios no recomendados para utilizar con esta herramienta puede resultar peligroso.

Los siguientes accesorios deberían ser usados sólo en los tamaños especificados a continuación:

BROCAS, TALADRADO EN METAL - Hasta 3/8" (9,5 mm); BROCAS, TALADRADO DE MAMPOSTERÍA - hasta 3/8" (9,5 mm); TALADRADO EN MADERA - hasta 1/2" (12,7 mm)

Información de servicio

Todos los Centros de servicio Black & Decker cuentan con personal altamente capacitado dispuesto a brindar a todos los clientes un servicio eficiente y confiable en la reparación de herramientas eléctricas. Si necesita consejo técnicos, reparaciones o piezas de repuesto genuinas de fábrica, póngase en contacto con el centro de servicios de Black & Decker más cercano a su domicilio. Para ubicar a su servicio local, consulte "Herramientas eléctricas" en la sección amarilla, o llame al: **(55)5326-7100**

Garantía completa de dos años para uso en el hogar

Black & Decker (EE.UU.) Inc. ofrece una garantía de dos años por cualquier defecto del material o de fabricación de este producto. El producto defectuoso se reparará o reemplazará sin costo alguno en cualquiera de las dos maneras.

La primera opción, el reemplazo, es devolver el producto al negocio donde se lo adquirió (siempre y cuando se trate de un negocio participante). Las devoluciones deben realizarse conforme a la política de devolución del comercio (generalmente, entre 30 y 90 días posteriores a la venta). Puede solicitarse comprobante de compra. Consulte en el negocio acerca de la política especial sobre devoluciones una vez superado el plazo habitual.

La segunda opción es llevar o enviar el producto (flete pagado) a un Centro de servicio autorizado propio de Black & Decker para su reparación o reemplazo según nuestro criterio. Puede solicitarse comprobante de compra. Los Centros de servicio autorizados y de propiedad de Black & Decker se encuentran listados en "Herramientas eléctricas" en las páginas amarillas de la guía telefónica.

Esta garantía no se extiende a los accesorios. Esta garantía le concede derechos legales específicos; pueden variar según el estado. Ante cualquier inquietud, comuníquese con el Centro de servicio de Black & Decker más cercano.

Este producto no es para uso comercial.

Reemplazo gratuito de la etiqueta de Precauciones: Si sus etiquetas de precauciones se vuelven ilegibles o faltan, llame al **(55)5326-7100** para que se le reemplacen gratuitamente.

Para reparación y servicio de sus herramientas eléctricas, favor de dirigirse al Centro de Servicio más cercano:

CULIACAN, SIN

Av. Nicolás Bravo #1063 Sur
(667) 7 12 42 11
Col. Industrial Bravo

GUADALAJARA, JAL

Av. La Paz #1779
(33) 3825 6978
Col. Americana Sector Juarez

MEXICO, D.F.

Eje Central Lázaro Cardenas
No. 18
(55) 5588 9377
Local D, Col. Obrera

MERIDA, YUC

Calle 63 #459-A
(999) 928 5038
Col. Centro

MONTERREY, N.L.

Av. Francisco I. Madero
No.831
(81) 8375 2313
Col. Centro

PUEBLA, PUE

17 Norte #205
(222) 246 3714
Col. Centro

QUERETARO, QRO

Av. Madero 139 Pte.
(442) 214 1660
Col. Centro

SAN LUIS POTOSI, SLP

Av. Universidad 1525
(444) 814 2383
Col. San Luis

TORREON, COAH

Bldv. Independencia, 96 Pte.
(871) 716 5265
Col. Centro

VERACRUZ, VER

Prolongación Díaz Mirón #4280
(229)921 7016
Col. Remes

VILLAHERMOSA, TAB

Constitución 516-A
(993) 312 5111
Col. Centro

PARA OTRAS LOCALIDADES LLAME AL: (55) 5326 7100

Vea "Herramientas eléctricas"
- Páginas amarillas -
para Servicio y ventas



IMPORTADOR: BLACK & DECKER S.A. DE C.V.
BOSQUES DE CIDROS ACCESO RADIATAS NO. 42
BOSQUES DE LAS LOMAS, 05120 MEXICO, D.F.
(55) 5326-7100

ESPECIFICACIONES

Cargador:
INPUT: 120 V AC 60 HZ
0.7 AMPS (NOM 0,7 A)
OUTPUT: 0.8 AMPS DC
(NOM 0,8 A)



Free Manuals Download Website

<http://myh66.com>

<http://usermanuals.us>

<http://www.somanuals.com>

<http://www.4manuals.cc>

<http://www.manual-lib.com>

<http://www.404manual.com>

<http://www.luxmanual.com>

<http://aubethermostatmanual.com>

Golf course search by state

<http://golfingnear.com>

Email search by domain

<http://emailbydomain.com>

Auto manuals search

<http://auto.somanuals.com>

TV manuals search

<http://tv.somanuals.com>