



CORDLESS COMPACT DRILLS WITH LASERS

INSTRUCTION MANUAL

Catalog Numbers
BDGL1200, BDGL1440,
BDGL1800



THANK YOU FOR CHOOSING BLACK & DECKER!
GO TO WWW.BLACKANDDECKER.COM/NEWOWNER
TO REGISTER YOUR NEW PRODUCT.

**BEFORE RETURNING THIS PRODUCT
FOR ANY REASON PLEASE CALL
1-800-544-6986**

BEFORE YOU CALL, HAVE THE CATALOG No. AND DATE CODE AVAILABLE. IN MOST CASES, A
BLACK & DECKER REPRESENTATIVE CAN RESOLVE THE PROBLEM OVER THE PHONE. IF YOU HAVE
A SUGGESTION OR COMMENT, GIVE US A CALL. YOUR FEEDBACK IS VITAL TO BLACK & DECKER.

SAVE THIS MANUAL FOR FUTURE REFERENCE.

VEA EL ESPA OL EN LA CONTRAPORTADA.

INSTRUCTIVO DE OPERACIÓN, CENTROS DE SERVICIO Y PÓLIZA DE GARANTÍA.

ADVERTENCIA: LÉASE ESTE INSTRUCTIVO ANTES DE USAR EL PRODUCTO.

GENERAL SAFETY RULES

⚠ WARNING! Read and understand all instructions. Failure to follow all instructions listed below may result in electric shock, fire and/or serious injury. The term “power tool” in all of the warnings listed below refers to your mains-operated (corded) power tool or battery-operated (cordless) power tool.

SAVE THESE INSTRUCTIONS

1) Work area safety

- a) **Keep work area clean and well lit.** *Cluttered or dark areas invite accidents.*
- b) **Do not operate power tools in explosive atmospheres, such as in the presence of flammable liquids, gases or dust.** *Power tools create sparks which may ignite the dust or fumes.*
- c) **Keep children and bystanders away while operating a power tool.** *Distractions can cause you to lose control.*

2) Electrical safety

- a) **Power tool plugs must match the outlet. Never modify the plug in any way. Do not use any adapter plugs with earthed (grounded) power tools.** *Unmodified plugs and matching outlets will reduce risk of electric shock*
- b) **Avoid body contact with earthed or grounded surfaces such as pipes, radiators, ranges and refrigerators.** *There is an increased risk of electric shock if your body is earthed or grounded.*
- c) **Do not expose power tools to rain or wet conditions.** *Water entering a power tool will increase the risk of electric shock*
- d) **Do not abuse the cord. Never use the cord for carrying, pulling or unplugging the power tool. Keep cord away from heat, oil, sharp edges or moving parts.** *Damaged or entangled cords increase the risk of electric shock.*
- e) **When operating a power tool outdoors, use an extension cord suitable for outdoor use.** *Use of a cord suitable for outdoor use reduces the risk of electric shock.*

3) Personal safety

- a) **Stay alert, watch what you are doing and use common sense when operating a power tool. Do not use a power tool while you are tired or under the influence of drugs, alcohol or medication.** *A moment of inattention while operating power tool may result in serious personal injury.*
- b) **Use safety equipment. Always wear eye protection.** *Safety equipment such as dust mask, non-skid safety shoes, hard hat, or hearing protection used for appropriate conditions will reduce personal injuries.*
- c) **Avoid accidental starting. Ensure the switch is in the off-position before plugging in.** *Carrying power tools with your finger on the switch or plugging in power tools that have the switch on invites accidents.*
- d) **Remove any adjusting key or wrench before turning the power tool on.** *A wrench or a key left attached to a rotating part of the power tool may result in personal injury.*
- e) **Do not overreach. Keep proper footing and balance at all times.** *This enables better control of the power tool in unexpected situations.*
- f) **Dress properly. Do not wear loose clothing or jewelry. Keep your hair, clothing and gloves away from moving parts.** *Loose clothes, jewelry or long hair can be caught in moving parts. Air vents often cover moving parts and should also be avoided.*
- g) **If devices are provided for the connection of dust extraction and collection facilities, ensure these are connected and properly used.** *Use of these devices can reduce dust-related hazards.*

4) Power tool use and care

- a) **Do not force the power tool. Use the correct power tool for your application.**
The correct power tool will do the job better and safer at the rate for which it was designed.
- b) **Do not use the power tool if the switch does not turn it on and off.** *Any power tool that cannot be controlled with the switch is dangerous and must be repaired.*
- c) **Disconnect the plug from the power source and/or the battery pack from the power tool before making any adjustments, changing accessories, or storing power tools.** *Such preventive safety measures reduce the risk of starting the power tool accidentally.*
- d) **Store idle power tools out of the reach of children and do not allow persons unfamiliar with the power tool or these instructions to operate the power tool.** *Power tools are dangerous in the hands of untrained users.*
- e) **Maintain power tools. Check for misalignment or binding of moving parts, breakage of parts and any other condition that may affect the power tools operation. If damaged, have the power tool repaired before use.** *Many accidents are caused by poorly maintained power tools.*
- f) **Keep cutting tools sharp and clean.** *Properly maintained cutting tools with sharp cutting edges are less likely to bind and are easier to control.*
- g) **Use the power tool, accessories and tool bits etc., in accordance with these instructions and in the manner intended for the particular type of power tool, taking into account the working conditions and the work to be performed. Use of the power tool for operations different from those intended could result in a hazardous situation.**

5) Battery tool use and care

- a) **Ensure the switch is in the off position before inserting battery pack.** *Inserting the battery pack into power tools that have the switch on invites accidents.*
- b) **Recharge only with the charger specified by the manufacturer.** *A charger that is suitable for one type of battery pack may create a risk of fire when used with another battery pack.*
- c) **Use power tools only with specifically designated battery packs.** *Use of any other battery packs may create a risk of injury and fire.*
- d) **When battery pack is not in use, keep it away from other metal objects like paper clips, coins, keys, nails, screws, or other small metal objects that can make a connection from one terminal to another.** *Shorting the battery terminals together may cause burns or a fire.*
- e) **Under abusive conditions, liquid may be ejected from the battery, avoid contact. If contact accidentally occurs, flush with water. If liquid contacts eyes, additionally seek medical help.** *Liquid ejected from the battery may cause irritation or burns.*

6) Service

- a) **Have your power tool serviced by a qualified repair person using only identical replacement parts.** *This will ensure that the safety of the power tool is maintained.*
- b) **If the replacement of the supply cord is necessary, this has to be done by the manufacturer or his agent in order to avoid a safety hazard.**

Specific Safety Rules

- **Wear ear protectors with impact drills.** *Exposure to noise can cause hearing loss.*
- **Hold tool by insulated gripping surfaces when performing an operation where the cutting tool may contact hidden wiring or its own cord.** *Contact with a "live" wire will make exposed metal parts of the tool "live" and shock the operator.*
- **When working on a ladder or on scaffolding be sure to lay the tool down on its side when not in use.** *Some tools with large battery packs will stand upright but may be easily knocked over.*
- **Use clamps or another practical way to secure and support the work piece to a stable platform.** *Holding the work by hand or against your body leaves it unstable and may lead to loss of control.*

First Aid Measures for Gel Components

If gel within the comfort grip becomes exposed and results in skin contact wash with soap and water;

For eye contact, flush with flowing water. If swallowed, seek medical attention.

Material Safety Data Sheet (MSDS) available from **1-800-544-6986**

⚠ WARNING: Some dust created by power sanding, sawing, grinding, drilling, and other construction activities contains chemicals known to cause cancer, birth defects or other reproductive harm. Some examples of these chemicals are:

- lead from lead-based paints,
- crystalline silica from bricks and cement and other masonry products, and
- arsenic and chromium from chemically-treated lumber (CCA).

Your risk from these exposures varies, depending on how often you do this type of work. To reduce your exposure to these chemicals: work in a well ventilated area, and work with approved safety equipment, such as those dust masks that are specially designed to filter out microscopic particles.

• **Avoid prolonged contact with dust from power sanding, sawing, grinding, drilling, and other construction activities. Wear protective clothing and wash exposed areas with soap and water.** Allowing dust to get into your mouth, eyes, or lay on the skin may promote absorption of harmful chemicals.

⚠ WARNING: Use of this tool can generate and/or disperse dust, which may cause serious and permanent respiratory or other injury. Always use NIOSH/OSHA approved respiratory protection appropriate for the dust exposure. Direct particles away from face and body.

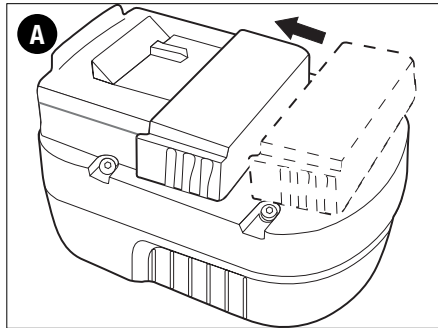
The label on your tool may include the following symbols.

V	volts	A.....	amperes
Hz	hertz	W	watts
min	minutes	~	alternating current
====	direct current	No	no load speed
☐	Class II Construction	⊖	earthing terminal
⚠	safety alert symbol	.../min	revolutions or reciprocations per minute

BATTERY CAP INFORMATION

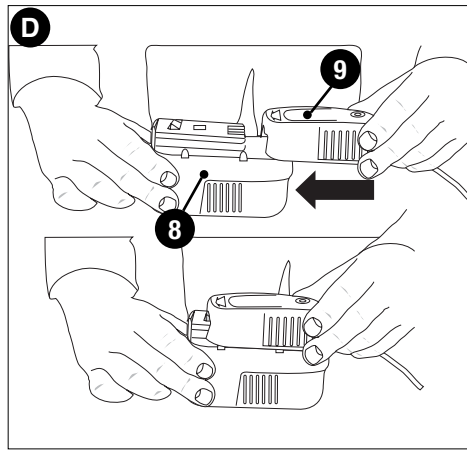
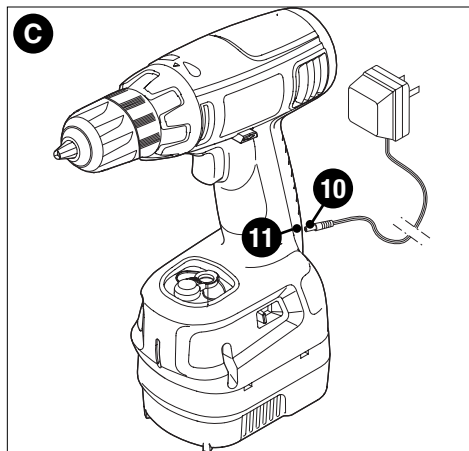
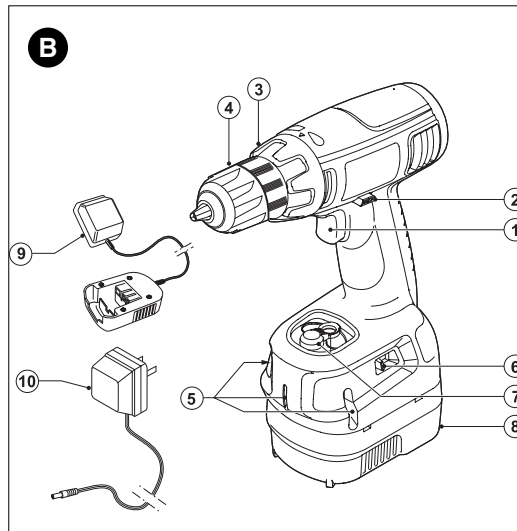
Battery storage and carrying caps are provided for use whenever the battery is out of the tool or charger. Remove cap before placing battery in charger or tool.

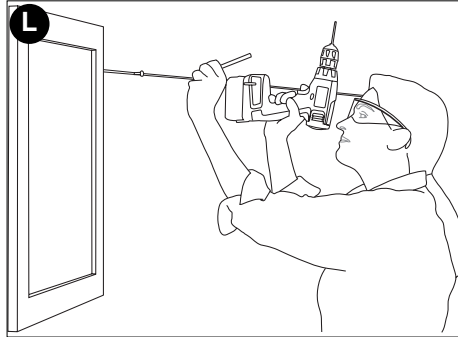
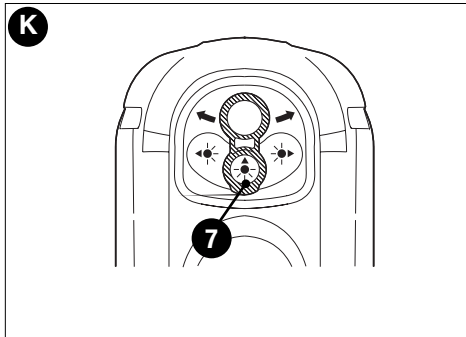
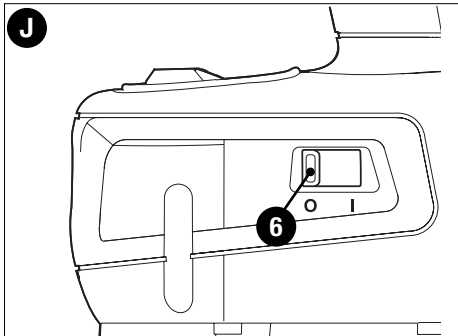
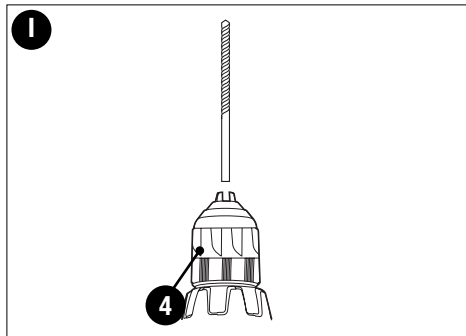
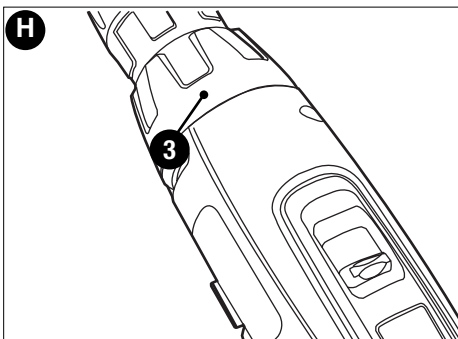
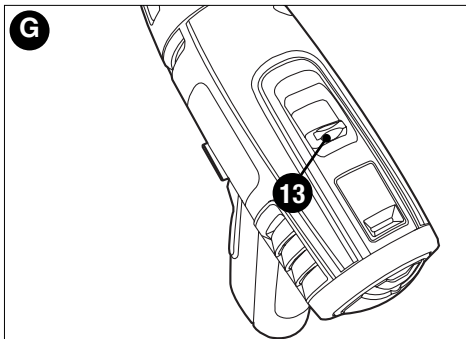
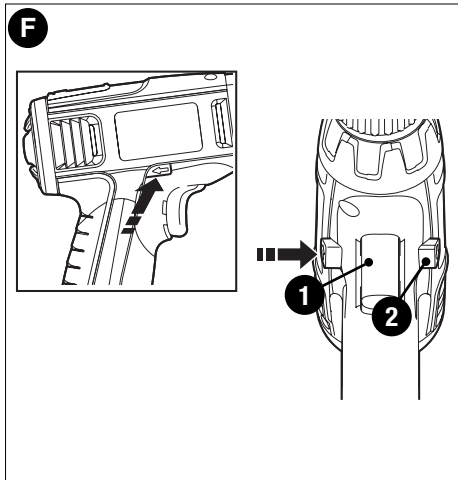
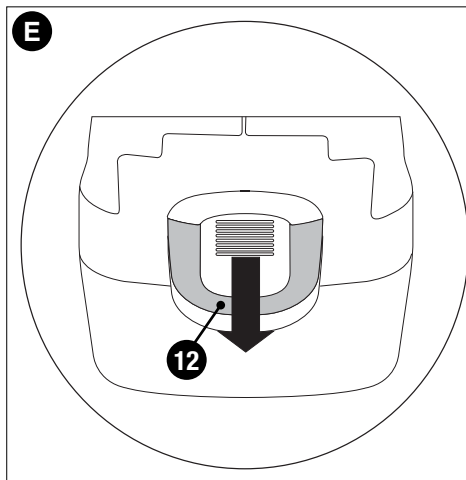
⚠ WARNING: Do not store or carry battery so that metal objects can contact exposed battery terminals. For example, do not place battery in aprons, pockets, tool boxes, product kit boxes, drawers, etc. with loose nails, screws, keys, etc. without battery cap. Transporting batteries can possibly cause fires if the battery terminals inadvertently come in contact with conductive materials such as keys, coins, hand tools and the like. The US Department of Transportation Hazardous Material Regulations (HMR) actually prohibit transporting batteries in commerce or on airplanes (i.e. packed in suitcases and carryon luggage) UNLESS they are properly protected from short circuits. So when transporting individual batteries, make sure that the battery terminals are protected and well insulated from materials that could contact them and cause a short circuit.

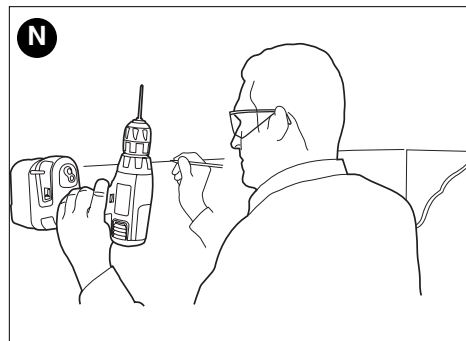
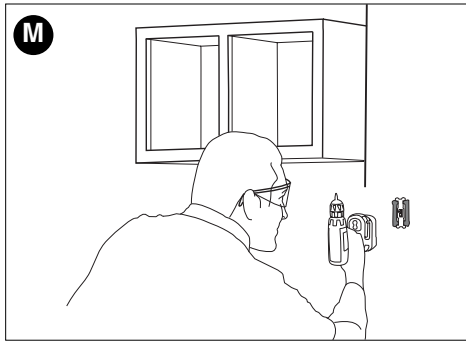


FUNCTIONAL DESCRIPTION

1. Variable speed switch
2. Forward/reverse slider
3. Torque adjustment collar
4. Chuck
5. Laser apertures
6. Laser on/off switch
7. Laser direction actuator
8. Battery
9. Cup charger
10. Jack plug charger (BDGL1200)







SAFETY INSTRUCTIONS - LASERS

⚠ CAUTION: Laser Radiation, avoid direct eye exposure, serious eye injury can result.

- Do not use optical tools such as a telescope or transit to view the laser beam.
- Position the laser so unintentional eye contact will be avoided.
- Do not operate the laser around children or allow children to operate the laser.
- Do not disassemble. Modifying the product in any way can increase the risk of laser radiation.

⚠ WARNING: Use of controls or adjustments or performance of procedures other than those specified in this manual may result in hazardous laser radiation exposure.

- Do not operate in explosive atmospheres, such as in the presence of flammable liquids, gases, or dust.
- Store idle product out of reach of children and other untrained persons. Lasers are dangerous in the hands of untrained users.
- Use only accessories that are recommended by the manufacturer for your model. Accessories that may be suitable for one laser, may create a risk of injury when used on another laser.
- Repairs and servicing **MUST** be performed by a qualified repair facility. Repairs performed by unqualified personnel could result in serious injury.
- Do not remove or deface warning labels. Removing labels increases the risk of exposure to radiation.
- For indoor use only.
- This product is intended for use in a temperature range of 41°F(5°C) - 104°F(40°C).

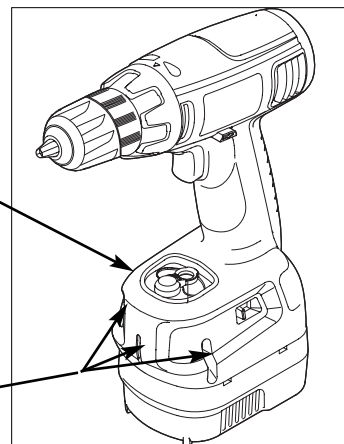
For your convenience and safety, the following labels are on the laser.



BDGL1200/
BDGL1440



BDGL1800



⚠ SAFETY WARNINGS AND INSTRUCTIONS: CHARGING

1. This manual contains important safety and operating instructions.
2. Before using battery charger, read all instructions and cautionary markings on battery charger, battery pack, and product using battery pack.
3. ⚠ **CAUTION:** To reduce the risk of injury, charge only Black & Decker Batteries. Other types of batteries may burst causing personal injury and damage.
4. Do not expose charger to rain or snow.
5. Use of an attachment not recommended or sold by Black & Decker may result in a risk of fire, electric shock, or injury to persons.
6. To reduce risk of damage to electric plug and cord, pull by plug rather than cord when disconnecting charger.
7. Make sure cord is located so that it will not be stepped on, tripped over, or otherwise subjected to damage or stress.
8. An extension cord should not be used unless absolutely necessary. Use of improper extension cord could result in a risk of fire, electric shock or electrocution.
 - a. Two-wire cords can be used with 2-wire or 3-wire extension cords. Only round jacketed extension cords should be used, and we recommend that they be listed by Underwriters Laboratories (U.L.). If the extension is to be used outside, the cord must be suitable for outdoor use. Any cord marked for outdoor use can also be used for indoor work. The letters "W" or "WA" on the cord jacket indicate that the cord is suitable for outdoor use.
 - b. An extension cord must have adequate wire size (AWG or American Wire Gauge) for safety, and to prevent loss of power and overheating. The smaller the gauge number of the wire, the greater the capacity of the cable; that is, 16 gauge has more capacity than 18 gauge. When using more than one extension to make up the total length, be sure each extension contains at least the minimum wire size.
9. Use only the supplied charger when charging the battery pack. The use of any other charger could damage the battery pack or create a hazardous condition.
10. Use only one charger when charging.
11. Do not attempt to open the charger. There are no customer serviceable parts inside. Return to any authorized Black & Decker service center.
12. DO NOT incinerate the battery pack even if it is severely damaged or completely worn out. The batteries can explode in a fire.
13. A small leakage of liquid from the battery pack cells may occur under extreme usage, charging or temperature conditions. This does not indicate a failure. However, if the outer seal is broken and this leakage gets on your skin:
 - a. Wash quickly with soap and water.
 - b. Neutralize with a mild acid such as lemon juice or vinegar.
 - c. If the battery liquid gets in your eyes, flush them with clean water for a minimum of 10 minutes and seek immediate medical attention. **MEDICAL NOTE:** The liquid is a 25-35% solution of potassium hydroxide.

CHARGING THE BATTERY PACK (BDGL1200) FIGURE C

THE BATTERY PACK IS NOT FULLY CHARGED AT THE FACTORY. BEFORE ATTEMPTING TO CHARGE THE BATTERY PACK, THOROUGHLY READ ALL OF THE SAFETY INSTRUCTIONS.

The charger is designed to use standard household 120 volt 60 Hz power.

1. Make sure the battery pack is fitted properly into the drill. Insert the charger plug (10) into the connector (11) as shown in **figure C**.
2. Plug the charger into any standard 120 Volt 60 Hz electrical outlet and let the battery pack charge initially for **9 hours**. After the initial charge, under normal usage, your battery pack should be fully charged in **3 to 9 hours**. **NOTE: Do not charge by means of an engine generator or DC power source. Use only 120V AC**
3. Disconnect the charger from the outlet, then disconnect the charger from the tool.

NOTE: Do not use the tool while it is connected to the charger.

NOTE: To remove the battery pack from the drill, press down on the release button (12) on the back of the battery pack (**figure E**) and slide out.

NOTE: Turn off laser before inserting / removing the battery pack. When installing battery pack, be certain that it is inserted fully into the tool cavity until it "clicks" into place.

CHARGING THE BATTERY PACK (BDGL1440, BDGL1800) FIGURE D

THE BATTERY PACK IS NOT FULLY CHARGED AT THE FACTORY. BEFORE ATTEMPTING TO CHARGE THE BATTERY PACK, THOROUGHLY READ ALL OF THE SAFETY INSTRUCTIONS.

The charger is designed to use standard household 120 volt 60 Hz power.

1. Plug the charger (9) into any standard 120 Volt 60 Hz electrical outlet. **NOTE: Do not charge by means of an engine generator or DC power source. Use only 120V AC.**
2. Slide the charger onto the battery pack (8) as shown in **figure D** and let the battery pack charge initially for **9 hours**. After the initial charge, under normal usage, your battery pack should be fully charged in **3 to 9 hours**.
3. Unplug charger, and remove the battery pack. **Place the battery pack in the tool and be certain that it is inserted fully into the tool cavity until it "clicks" into place.**

NOTE: To remove the battery pack from the drill, press down on the release button (12) on the back of the battery pack (**figure E**) and slide out.

IMPORTANT CHARGING NOTES

1. After normal usage, your battery pack should be fully charged in 3 to 9 hours. If the battery pack is run-down completely, it may take up to 9 hours to become fully charged. Your battery pack was sent from the factory in an uncharged condition. Before attempting to use it, it must be charged for at least 9 hours.
2. **DO NOT** charge the battery pack in an air temperature below 40°F (4,5 °C) or above 105°F.(40,5 °C) This is important and will prevent serious damage to the battery pack. Longest life and best performance can be obtained if battery pack is charged when air temperature is about 75°F.(24°C).
3. While charging, the charger may hum and become warm to touch. This is a normal condition and does not indicate a problem.
4. If the battery pack does not charge properly—(1) Check current at receptacle by plugging in a lamp or other appliance. (2) Check to see if receptacle is connected to a light switch which turns power off when you turn out the lights. (3) Move charger and battery pack to a surrounding air temperature of 40°F (4,5 °C) to 105°F.(40,5 °C) (4) If the receptacle and temperature are OK, and you do not get proper charging, take or send the battery pack and charger to your local Black & Decker service center. See Tools Electric in yellow pages.
5. The battery pack should be recharged when it fails to produce sufficient power on jobs which were easily done previously. **DO NOT CONTINUE** using product with its battery pack in a depleted condition.
6. To prolong battery life, avoid leaving the battery pack on charge for extended periods of time (over 30 days without use). Although overcharging is not a safety concern, it can significantly reduce overall battery life.
7. The battery pack will reach optimum performance after being cycled 5 times during normal usage. There is no need to run the batteries down completely before recharging. Normal usage is the best method of discharging and recharging the batteries.

SAFETY WARNINGS AND INSTRUCTIONS: DRILLS

1. Hold drill firmly with one hand on the grip and the other hand on the bottom of the battery pack.
2. When attaching accessories in the drill chuck, hand tighten the keyless chuck firmly.
 - △ **WARNING:** Drill may stall (if overloaded or improperly used) causing a twist. Always expect the stall. Grip the drill firmly with both hands to control the twisting action and prevent loss of control which could cause personal injury. If a stall does occur, release the trigger immediately and determine the reason for the stall before re-starting.

OPERATING INSTRUCTIONS**TRIGGER SWITCH & REVERSING BUTTON (FIGURE F)**

- The drill is turned ON and OFF by pulling and releasing the trigger switch (1). The farther the trigger is depressed, the higher the speed of the drill.
- A forward/reverse control button (2) determines the direction of the tool and also serves as a lock off button.

- To select forward rotation, release the trigger switch and depress the forward/reverse control button to the left.
 - To select reverse, depress the forward/reverse control button the opposite direction.
- NOTE: The center position of the control button locks the tool in the off position. When changing the position of the control button, be sure the trigger is released.


DUAL RANGE GEARING (FIGURE G) (BDGL1800 ONLY)

The dual range feature of the BDGL1800 allows you to shift gears for greater versatility.

- To select low speed, high torque setting (position 1), turn tool off and permit to stop. Slide gear shifter button (13) forward towards the chuck.
- To select the high speed, low torque setting (position 2), turn tool off and permit to stop. Slide gear shifter button (13) back (away from chuck). **NOTE:** Do not change gears when tool is running. If you are having trouble changing gears, make sure that the gear shifter button is either completely pushed forward or completely pushed back.

TORQUE CONTROL (FIGURE H)

This tool is fitted with a collar (3) to select the operating mode and to set the torque for tightening screws. Large screws and hard workpiece materials require a higher torque setting than small screws and soft workpiece materials.

- For drilling in wood, metal and plastics, set the collar to the drilling position symbol .
- For screwdriving, set the collar to the desired setting. If you do not yet know the appropriate setting, proceed as follows:
- Set the collar to the lowest torque setting.
- Tighten the first screw.
- If the clutch ratchets before the desired result is achieved, increase the collar setting and continue tightening the screw. Repeat until you reach the correct setting. Use this setting for the remaining screws.

KEYLESS CHUCK (FIGURE I)

To insert a drill bit or other accessory:

1. Grasp the rear half of the chuck (4) with one hand and use your other hand to rotate the front half in the counterclockwise direction, as viewed from the chuck end.
2. Insert the bit or other accessory fully into the chuck, and tighten securely by holding the rear half of the chuck and rotating the front portion in the clockwise direction as viewed from the chuck end.

⚠ WARNING: Do not attempt to tighten drill bits (or any other accessory) by gripping the front part of the chuck and turning the tool on. Damage to the chuck and personal injury may occur when changing accessories.

OPERATING THE LASER

Your drill is equipped with a laser which is turned on and off separately from the tool.

⚠ WARNING: NEVER aim the beam at a workpiece with a reflective surface. Bright shiny reflective sheet steel or similar reflective surfaces are not recommended for laser use. Reflective surfaces could direct the beam back toward the operator.

⚠ CAUTION: LASER RADIATION. AVOID DIRECT EYE EXPOSURE. Do not stare into the laser light source. Never aim light at another person or object other than the workpiece. Laser light can damage your eyes.

⚠ WARNING: DO NOT use tinted glasses to enhance the laser light. Tinted glasses will reduce overall vision for the application and interfere with the normal operation of the tool.

SWITCHING THE LASER ON AND OFF (FIGURE J)

- To turn the laser on, slide the laser on/off button (6) to the (I) position.
- To turn the laser off, slide the laser on/off button (6) to the (0) position.

SETTING THE DIRECTION OF THE BEAM (FIGURE K)

The laser beam can be set for both horizontal and vertical leveling applications.

- To change the laser line projection, move the laser direction actuator (7) in the direction that you want the laser line to project.

NOTE: Laser will not work if the drill is inverted.

USING THE LASER LEVEL FUNCTION (HORIZONTALLY LEFT - FIGURE L)

- Place the tool flat against the wall as shown.
- Slide the laser on/off switch (6) to position I to switch the laser ON.
- Move the laser direction actuator (7 in Figure K) to the left most position. Laser will project horizontally to the left from the laser aperture (5 in Figure B).
- Move the tool as necessary to position the laser line.
NOTE: The laser lines will only be level if the tool is kept within 5 degrees from vertical.
- Slide the laser on/off switch (6) to position 0 to switch the laser OFF.
NOTE: Laser will not work if the drill is inverted.

USING THE LASER LEVEL FUNCTION (VERTICALLY - FIGURE M)

- Place the tool flat against the wall as shown.
- Slide the laser on/off switch (6) to position I to switch the laser ON.
- Move the laser direction actuator (7 in Figure K) to the center position. Laser will project vertically from the laser aperture (5 in Figure B).
- Move the tool as necessary to position the laser line.
NOTE: The laser lines will only be level if the tool is kept within 5 degrees from vertical.
- Slide the laser on/off switch (6) to position 0 to switch the laser OFF.
NOTE: Laser will not work if the drill is inverted.

USING THE LASER LEVEL FUNCTION (HORIZONTALLY RIGHT - FIGURE N)

- Place the tool flat against the wall as shown.
- Slide the laser on/off switch (6) to position I to switch the laser ON.
- Move the laser direction actuator (7 in Figure K) to the right most position. Laser will project horizontally to the right from the laser aperture (5 in Figure B).
- Move the tool as necessary to position the laser line.
NOTE: The laser lines will only be level if the tool is kept within 5 degrees from vertical.
- Slide the laser on/off switch (6) to position 0 to switch the laser OFF.
NOTE: Laser will not work if the drill is inverted.

SCREW DRIVING

For driving fasteners, the reversing button should be pushed to the left. Use reverse (button pushed to the right) for removing fasteners. When moving from forward to reverse, or vice versa, always release the trigger switch first.

ON BOARD BIT STORAGE

A bit storage slot is built-in to the area just above the battery pack.

DRILLING

- Use sharp drill bits only.
- Support and secure work properly, as instructed in the Safety Instructions.
- Use appropriate and required safety equipment, as instructed in the Safety Instructions.
- Secure and maintain work area, as instructed in the Safety Instructions.
- Run the drill very slowly, using light pressure, until the hole is started enough to keep the drill bit from slipping out of it.
- Apply pressure in a straight line with the bit. Use enough pressure to keep the bit biting but not so much as to stall the motor or deflect the bit.
- **Hold the drill firmly with two hands to control its twisting action.**
- **DO NOT CLICK THE TRIGGER OF A STALLED DRILL OFF AND ON IN AN ATTEMPT TO START IT. DAMAGE TO THE DRILL CAN RESULT.**
- Minimize stalling on breakthrough by reducing pressure and slowly drilling through the last part of the hole.
- Keep the motor running while pulling the bit out of a drilled hole. This will help reduce jamming.
- **Make sure switch turns drill on and off.**

MAINTENANCE

Use only mild soap and damp cloth to clean the tool. Never let any liquid get inside the tool; never immerse any part of the tool into a liquid.

IMPORTANT: To assure product SAFETY and RELIABILITY, repairs, maintenance and adjustment (other than those listed in this manual) should be performed by authorized service centers or other qualified service personnel, always using identical replacement parts.

TROUBLESHOOTING

<u>Problem</u>	<u>Possible Cause</u>	<u>Possible Solution</u>
• Unit will not start.	• Battery pack not installed properly.	• Check battery pack installation.
	• Battery pack not charged.	• Check battery pack charging requirements.
• Battery pack will not charge.	• Battery pack not inserted into charger.	• Insert battery pack into charger until red LED appears.
	• Charger not plugged in.	• Plug charger into a working outlet. Refer to "Important Charging Notes" for more details.
	• Surrounding air temperature too hot or too cold.	• Move charger and battery pack to a surrounding air temperature of above 40 degrees F (4,5°C) or below 105 degrees F (+40,5°C).

For assistance with your product, visit our website www.blackanddecker.com for the location of the service center nearest you or call the BLACK & DECKER help line at **1-800-544-6986**.

ACCESSORIES

Recommended accessories for use with your tool are available from your local dealer or authorized service center. If you need assistance regarding accessories, please call:

1-800-544-6986.

⚠ WARNING: The use of any accessory not recommended for use with this tool could be hazardous.

The RBRC™ Seal

The RBRC™ (Rechargeable Battery Recycling Corporation) Seal on the nickel-cadmium battery (or battery pack) indicates that the costs to recycle the battery (or battery pack) at the end of its useful life have already been paid by Black & Decker. In some areas, it is illegal to place spent nickel-cadmium batteries in the trash or municipal solid waste stream and the RBRC program provides an environmentally conscious alternative.

RBRC in cooperation with Black & Decker and other battery users, has established programs in the United States and Canada to facilitate the collection of spent nickel-cadmium batteries. Help protect our environment and conserve natural resources by returning the spent nickel-cadmium battery to an authorized Black & Decker service center or to your local retailer for recycling. You may also contact your local recycling center for information on where to drop off the spent battery, or call **1-800-8-BATTERY**.



SERVICE INFORMATION

All Black & Decker Service Centers are staffed with trained personnel to provide customers with efficient and reliable power tool service. Whether you need technical advice, repair, or genuine factory replacement parts, contact the Black & Decker location nearest you. To find your local service location, refer to the yellow page directory under "Tools—Electric" or call: **1-800-544-6986** or visit **www.blackanddecker.com**

FULL TWO-YEAR HOME USE WARRANTY

Black & Decker (U.S.) Inc. warrants this product for two years against any defects in material or workmanship. The defective product will be replaced or repaired at no charge in either of two ways.

The first, which will result in exchanges only, is to return the product to the retailer from whom it was purchased (provided that the store is a participating retailer). Returns should be made within the time period of the retailer's policy for exchanges (usually 30 to 90 days after the sale). Proof of purchase may be required. Please check with the retailer for their specific return policy regarding returns that are beyond the time set for exchanges.

The second option is to take or send the product (prepaid) to a Black & Decker owned or authorized Service Center for repair or replacement at our option. Proof of purchase may be required. Black & Decker owned and authorized Service Centers are listed under "Tools-Electric" in the yellow pages of the phone directory and on our website www.blackanddecker.com.

This warranty does not apply to accessories. This warranty gives you specific legal rights and you may have other rights which vary from state to state or province to province. Should you have any questions, contact the manager of your nearest Black & Decker Service Center. This product is not intended for commercial use.

FREE WARNING LABEL REPLACEMENT: If your warning labels become illegible or are missing, call 1-800-544-6986 for a free replacement.

Imported by
Black & Decker (U.S.) Inc.,
701 E. Joppa Rd.
Towson, MD 21286 U.S.A.



See 'Tools-Electric'
– Yellow Pages –
for Service & Sales



TECHNICAL SPECIFICATIONS OF LASER:

Laser diode wavelength:	633-670nm (red color)
Laser Class:	Class II
Accuracy:	+/- 3.0mm (1/8") @ 3m (10')
Operating temperature:	50°F (10°C) - 104° F (40°C)



**PERCEUSES COMPACTES SANS FIL
AVEC LASERS**

MODE D EMPLOI

**N^o de catalogue
BDGL1200, BDGL1440,
BDGL1800**



**MERCI D'AVOIR CHOISI BLACK & DECKER !
VISITEZ WWW.BLACKANDDECKER.COM/NEWOWNER
POUR ENREGISTRER VOTRE NOUVEAU PRODUIT.**

**AVANT DE RETOURNER CE PRODUIT POUR QUELQUE
RAISON QUE CE SOIT, COMPOSER LE**

1-800-544-6986

AVANT D'APPELER, AYEZ EN MAIN LE N^o DE CATALOGUE ET LE CODE DE DATE. DANS LA PLUPART
DES CAS, UN REPRÉSENTANT DE BLACK & DECKER PEUT RÉSOUDRE LE PROBLÈME PAR
TÉLÉPHONE. SI VOUS AVEZ UNE SUGGESTION OU UN COMMENTAIRE, APPELÉZ-NOUS. VOS
IMPRESSIONS SONT CRUCIALES POUR BLACK & DECKER.

CONSERVER CE MANUEL POUR UN USAGE ULT RIEUR.

Règles de sécurité générales

⚠ AVERTISSEMENT! Lire toutes les directives. Tout manquement aux directives suivantes pose des risques de choc électrique, d'incendie et/ou de blessure grave. Le terme « outil électrique » dans tous les avertissements ci-après se rapporte à votre outil électrique à alimentation sur secteur (avec fil) ou par piles (sans fil).

CONSERVER CES DIRECTIVES

1) Sécurité du lieu de travail

- a) **Tenir la zone de travail propre et bien éclairée.** *Les endroits sombres sont souvent des causes d'accidents.*
- b) **Ne pas faire fonctionner d'outils électriques dans un milieu déflagrant, soit en présence de liquides inflammables, de gaz ou de poussière.** *Les outils électriques produisent des étincelles qui peuvent enflammer la poussière ou les vapeurs.*
- c) **Éloigner les enfants et les curieux au moment d'utiliser un outil électrique.** *Une distraction pourrait vous en faire perdre la maîtrise.*

2) Sécurité en matière d'électricité

- a) **Les fiches des outils électriques doivent correspondre à la prise. Ne jamais modifier la fiche en aucune façon.** *Ne jamais utiliser de fiche d'adaptation avec un outil électrique mis à la terre. Le risque de choc électrique sera réduit par l'utilisation de fiches non modifiées correspondant à la prise.*
- b) **Éviter tout contact physique avec des surfaces mises à la terre comme des tuyaux, des radiateurs, des cuisinières et des réfrigérateurs.** *Le risque de choc électrique est plus élevé si votre corps est mis à la terre.*
- c) **Ne pas exposer les outils électriques à la pluie ou à d'autres conditions où il pourrait être mouillé.** *La pénétration de l'eau dans un outil électrique augmente le risque de choc électrique.*
- d) **Ne pas utiliser abusivement le cordon d'alimentation. Ne jamais utiliser le cordon pour transporter, tirer ou débrancher un outil électrique. Tenir le cordon éloigné de la chaleur, de l'huile, des bords tranchants ou des pièces mobiles.** *Les cordons endommagés ou emmêlés augmentent les risques de choc électrique.*
- e) **Pour l'utilisation d'un outil électrique à l'extérieur, se servir d'une rallonge convenant à une telle utilisation.** *L'utilisation d'une rallonge conçue pour l'extérieur réduit les risques de choc électrique.*

3) Sécurité personnelle

- a) **Être vigilant, surveiller le travail effectué et faire preuve de jugement lorsqu'un outil électrique est utilisé. Ne pas utiliser d'outil électrique en cas de fatigue ou sous l'influence de drogues, d'alcool ou de médicaments.** *Un moment d'inattention, durant l'utilisation d'un outil électrique, peut se solder par des blessures graves.*
- b) **Utiliser un équipement de sécurité. Toujours porter une protection oculaire.** *L'utilisation d'un équipement de sécurité comme un masque anti-poussières, des chaussures antidérapantes, un casque de sécurité ou des protecteurs auditifs lorsque la situation le requiert réduira les risques de blessures corporelles.*
- c) **Attention de ne pas mettre en marche l'outil accidentellement. S'assurer que l'interrupteur est en position d'arrêt avant tout branchement.** *Transporter un outil électrique alors que le doigt est sur l'interrupteur ou brancher un outil électrique alors que l'interrupteur est en position de marche risque de causer un accident.*
- d) **Retirer toute clé de réglage ou clé standard avant de démarrer l'outil.** *Une clé standard ou une clé de réglage attachée à une partie pivotante peut causer des blessures.*
- e) **Ne pas trop tendre les bras. Conserver son équilibre en tout temps.** *Cela permet de mieux maîtriser l'outil électrique dans les situations imprévues.*

- f) **S'habiller de manière appropriée. Ne pas porter de vêtements amples ni de bijoux. Maintenir cheveux, vêtements et gants éloignés des pièces mobiles.** *Les vêtements amples, bijoux ou cheveux longs pourraient s'enchevêtrer dans les pièces mobiles.*
- g) **Si des composants sont fournis pour le raccordement de dispositifs de dépoussiérage et de ramassage, s'assurer que ceux-ci sont bien raccordés et utilisés.** *L'utilisation de ces dispositifs peut réduire les risques engendrés par les poussières.*
- 4) **Utilisation et entretien d'un outil électrique**
- a) **Ne pas forcer un outil électrique. Utiliser l'outil électrique approprié à l'application.** *L'outil électrique approprié effectuera un meilleur travail, de façon plus sûre et à la vitesse pour laquelle il a été conçu.*
- b) **Ne pas utiliser un outil électrique dont l'interrupteur est défectueux.** *Tout outil électrique dont l'interrupteur est défectueux est dangereux et doit être réparé.*
- c) **Débrancher la fiche du secteur ou le bloc-piles de l'outil électrique avant de faire tout réglage ou changement d'accessoire, ou avant de ranger l'outil électrique.** *Ces mesures préventives réduisent les risques de démarrage accidentel de l'outil électrique.*
- d) **Ranger les outils électriques hors de la portée des enfants, et ne permettre à aucune personne n'étant pas familière avec un outil électrique (ou son manuel d'instruction) d'utiliser ce dernier.** *Les outils électriques deviennent dangereux entre les mains d'utilisateurs inexpérimentés.*
- e) **Entretenir les outils électriques. Vérifier les pièces mobiles pour s'assurer qu'elles sont bien alignées et tournent librement, qu'elles sont en bon état et ne sont affectées par aucun trouble susceptible de nuire au bon fonctionnement de l'outil électrique. En cas de dommage, faire réparer l'outil électrique avant toute nouvelle utilisation.** *Beaucoup d'accidents sont causés par des outils électriques mal entretenus.*
- f) **S'assurer que les outils de coupe sont aiguisés et propres.** *Les outils de coupe bien entretenus et affûtés sont moins susceptibles de se coincer et sont plus faciles à contrôler.*
- g) **Utiliser l'outil électrique, les accessoires, les mèches, etc., conformément aux présentes directives et suivant la manière prévue pour ce type particulier d'outil électrique, en tenant compte des conditions de travail et du travail à effectuer.** *L'utilisation d'un outil électrique pour toute opération autre que celle pour laquelle il a été conçu est dangereuse.*
- 5) **Utilisation et entretien du bloc-piles**
- a) **S'assurer que l'interrupteur se trouve à la position d'arrêt avant d'insérer le bloc-piles. Insérer un bloc-piles dans un outil électrique dont l'interrupteur est à la position de marche risque de provoquer un accident.**
- b) **Ne recharger l'outil qu'au moyen du chargeur précisé par le fabricant.** *L'utilisation d'un chargeur qui convient à un type de bloc-piles risque de provoquer un incendie s'il est utilisé avec un autre type de bloc-piles.*
- c) **Utiliser les outils électriques uniquement avec les blocs-piles conçus à cet effet.** *L'utilisation de tout autre bloc-piles risque de causer des blessures ou un incendie.*
- d) **Lorsque le bloc-piles n'est pas utilisé, le tenir éloigné des objets métalliques, notamment des trombones, de la monnaie, des clés, des clous, des vis, etc., qui peuvent établir une connexion entre les deux bornes.** *Le court-circuit des bornes du bloc-piles risque de provoquer des étincelles, des brûlures ou un incendie.*
- e) **En cas d'utilisation abusive, le liquide peut gicler hors du bloc-piles, éviter tout contact. Si un contact accidentel se produit, laver à grande eau. Si le liquide entre en contact avec les yeux, obtenir des soins médicaux.** *Le liquide qui giclé hors du bloc-piles peut provoquer des irritations ou des brûlures.*

6) Réparation

- a) **Faire réparer l'outil électrique par un réparateur professionnel en n'utilisant que des pièces de rechange identiques.** Cela permettra de maintenir une utilisation sécuritaire de l'outil électrique.
- b) **S'il faut remplacer le cordon d'alimentation, en confier le remplacement au fabricant ou son agent pour éviter tout risque d'accident.**

RÈGLES DE SÉCURITÉ SPÉCIFIQUES

- **Porter des protecteurs auditifs si une perceuse percussion est utilisée.** Une exposition au bruit peut entraîner une perte auditive.
- **Saisir l'outil par ses surfaces de prises isolées lorsque l'outil peut entrer en contact avec des fils nus ou son cordon.** En cas de contact avec un fil sous tension, les pièces métalliques de l'outil seront sous tension et l'utilisateur subira des secousses électriques.
- **Lorsqu'on est installé sur une échelle ou un échafaudage pour travailler, on doit d'abord poser l'outil sur le côté lorsqu'on ne s'en sert plus.** Bien que certains outils munis d'un gros bloc-piles puissent être placés à la verticale, dans cette position, ils peuvent facilement être renversés.
- **Lors de travaux sur une échelle ou un échafaudage, s'assurer de déposer l'outil sur le côté lorsque inutilisé.** Certains outils ont un gros bloc d'alimentation. En le plaçant à la verticale, vous risquez de le renverser.

PREMIERS SOINS RELATIFS LA COMPOSITION DU GEL

Si le gel à l'intérieur de la poignée ergonomique venait à se répandre et entrer en contact avec la peau, laver cette dernière à l'eau savonneuse. En cas de contact avec les yeux, rincer abondamment à l'eau claire. En cas d'ingestion, voir un médecin. Pour obtenir la fiche toxicologique de ce produit (MSDS), téléphoner au **1-800-544-6986**.

⚠ AVERTISSEMENT : certains outils électriques, tels que les sableuses, les scies, les meules, les perceuses ou certains autres outils de construction, peuvent produire de la poussière contenant des produits chimiques susceptibles d'entraîner le cancer, des malformations congénitales ou pouvant être nocifs pour le système reproductif. Parmi ces produits chimiques, on retrouve :

- le plomb dans les peintures à base de plomb,
- la silice cristalline dans les briques et le ciment et autres produits de maçonnerie,
- l'arsenic et le chrome dans le bois de sciage ayant subi un traitement chimique (comme l'arséniate de cuivre et de chrome).

Le risque associé à de telles expositions varie selon la fréquence avec laquelle on effectue ces travaux. Pour réduire l'exposition à de tels produits, il faut travailler dans un endroit bien aéré et utiliser le matériel de sécurité approprié, tel un masque anti-poussières spécialement conçu pour filtrer les particules microscopiques.

- **Éviter tout contact prolongé avec la poussière soulevée par cet outil ou autres outils électriques. Porter des vêtements de protection et nettoyer les parties exposées du corps avec de l'eau savonneuse.** S'assurer de bien se protéger afin d'éviter d'absorber par la bouche, les yeux ou la peau des produits chimiques nocifs.

⚠ AVERTISSEMENT : Cet outil peut produire et répandre de la poussière susceptible de causer des dommages sérieux et permanents au système respiratoire. Toujours utiliser un appareil respiratoire anti-poussières approuvé par le NIOSH ou l'OSHA. Diriger les particules dans le sens opposé du visage et du corps.

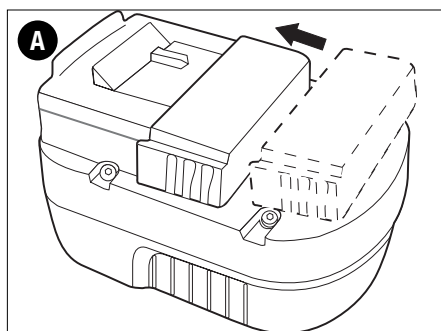
L'étiquette de l'outil peut comporter les symboles suivants.

V	volts	A	ampères
Hz	hertz	W	watts
min	minutes	~	courant alternatif
====	courant continu	No	sous vide
☐	construction de classe II	⊕	borne de terre
⚠	symbole d'avertissement	.../min	tours ou courses à la minute

INFORMATION CONCERNANT LE CAPUCHON DU BLOC-PILE

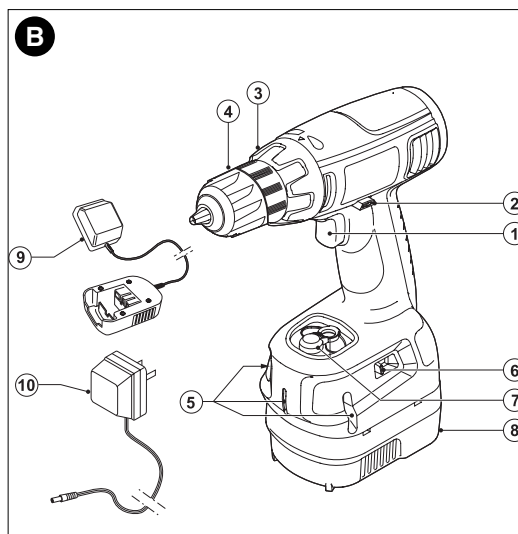
Un capuchon est fourni avec le bloc-pile en vue d'être utilisé chaque fois qu'on retire ce dernier de l'outil ou du chargeur en vue de le ranger ou de le transporter; enlever le capuchon avant de remettre le bloc-pile dans le chargeur ou dans l'outil.

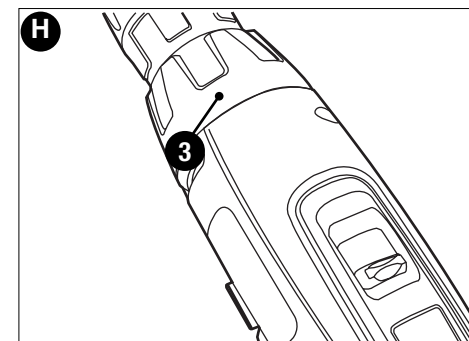
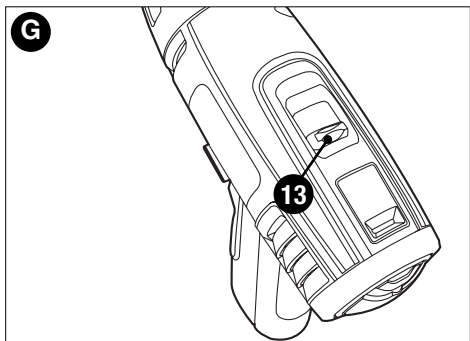
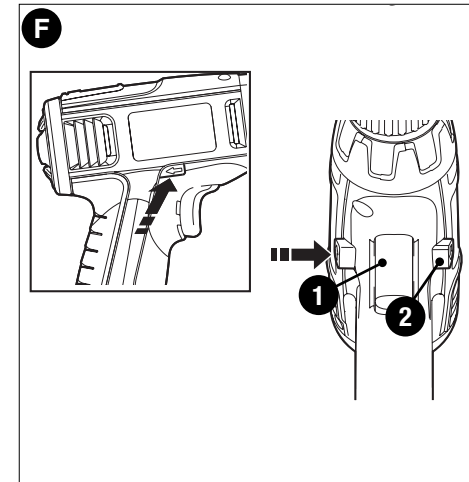
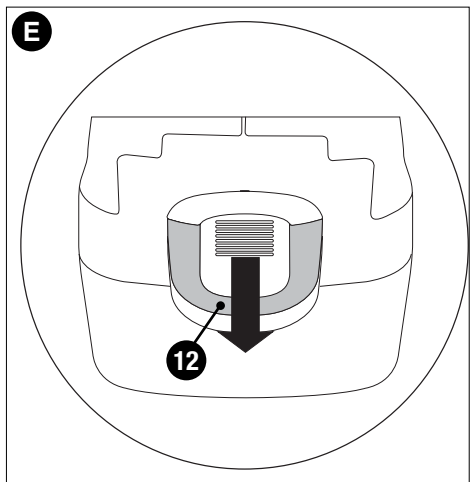
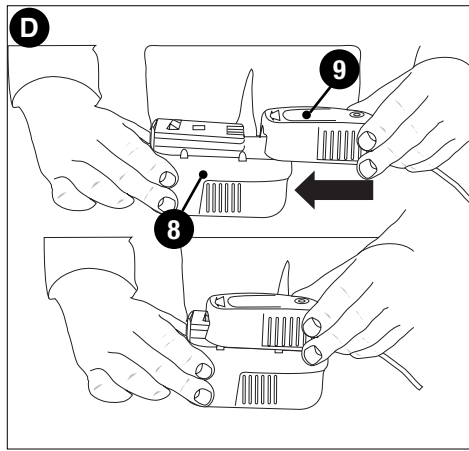
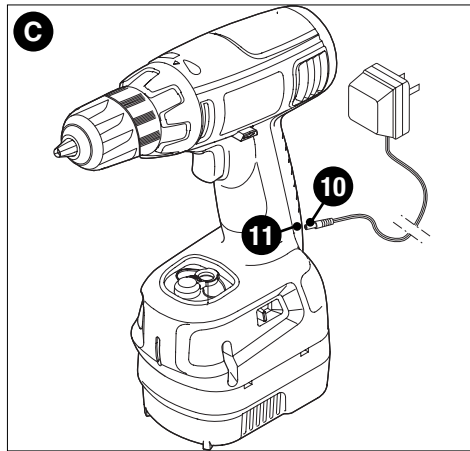
⚠ AVERTISSEMENT : S'assurer, au moment de ranger ou de transporter un bloc-pile ou une pile, qu'aucun objet métallique n'entre en contact avec leurs bornes à découvert de celui-ci. Par exemple, il faut éviter de placer un bloc-pile ou une pile sans capuchon dans un tablier, une poche, une boîte à outils ou un tiroir (etc.) contenant des objets tels que des clous, des vis ou des clés, car tout contact entre les bornes à découvert et un objet métallique comme une clé, une pièce de monnaie, un outil à main, etc. pourrait causer un incendie. En effet, les règlements américains Hazardous Material Regulations (HMR) du US Department of Transportation interdisent le transport d'un bloc-pile ou d'une pile dans tout moyen de transport commercial ou aéronef (que ce soit dans une valise ou le bagage de cabine) SAUF s'ils sont bien protégés contre les courts-circuits. On doit donc s'assurer, lorsqu'on transporte un bloc-pile ou une pile séparément, de bien protéger et isoler les bornes contre tout matériau qui risque d'entrer en contact avec eux et de causer un court-circuit.

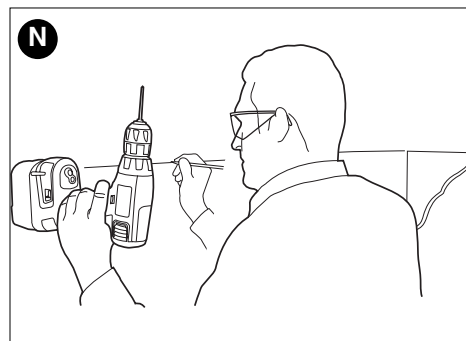
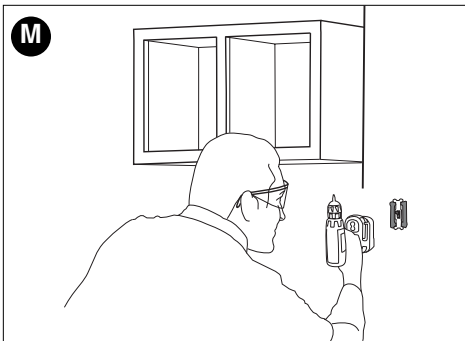
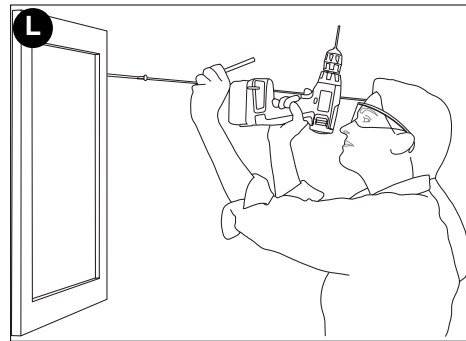
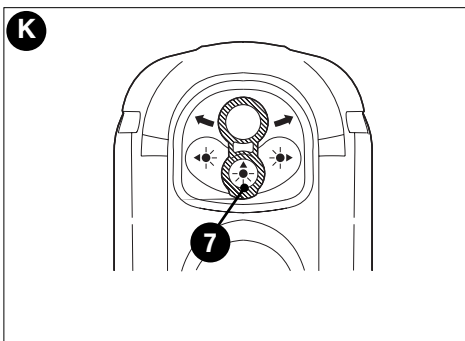
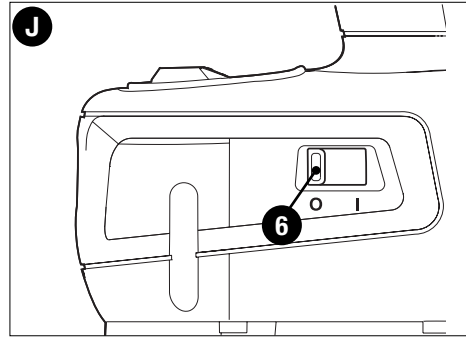
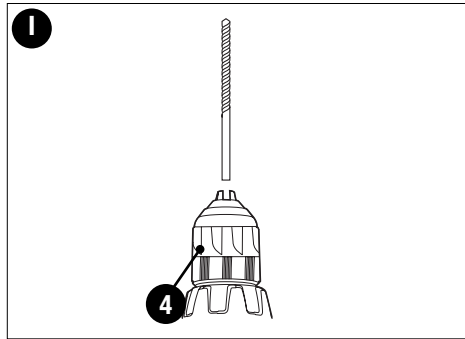


DESCRIPTION FONCTIONNELLE

1. Détente à vitesse variable
2. Dispositif de glissement avant/arrière
3. Bague de réglage du couple
4. Mandrin
5. Ouverture pour faisceau laser
6. Interrupteur marche/arrêt du laser
7. Actionneur de direction du laser
8. Bloc-piles
9. Chargeur cuvette
10. Chargeur à fiche (BDGL1200)







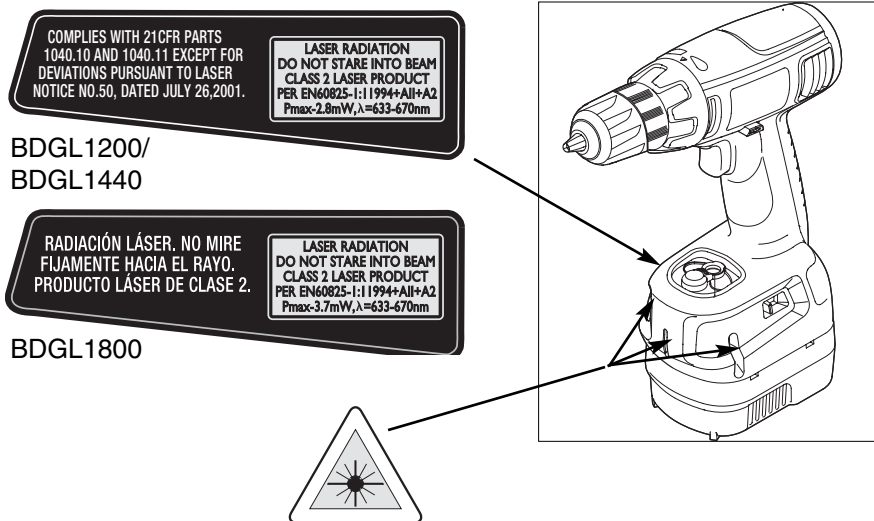
DIRECTIVES DE S CURIT POUR LASERS

⚠ ATTENTION : rayonnement laser; viter tout contact direct avec les yeux, des blessures graves aux yeux peuvent en r sulter.

- Ne pas utiliser d'instruments optiques comme un télescope ou un théodolite pour observer le faisceau laser.
- Positionner le laser de sorte à éviter tout contact accidentel avec les yeux.
- Ne pas utiliser le laser près des enfants et ne pas laisser les enfants utiliser le laser/outil électrique.
- Ne pas démonter l'appareil. Toute modification du produit peut accroître le risque de rayonnement laser.

⚠ AVERTISSEMENT : l'utilisation de commandes ou de réglages ou l'exécution de procédures autres que celles précisées dans la présente peut entraîner une exposition dangereuse au rayonnement laser.

- Ne pas faire fonctionner l'outil dans un environnement explosif, soit en présence de liquides, gaz ou poussière inflammables.
- Ranger le produit inutilisé hors de la portée des enfants et des personnes sans expérience. Les lasers deviennent dangereux entre les mains d'utilisateurs inexpérimentés.
- N'utiliser que les accessoires conseillés par le fabricant pour le modèle de votre outil. Les accessoires adaptés à un laser donné peuvent être dangereux lorsqu'ils sont utilisés avec un autre laser/outil électrique.
- Les réparations et l'entretien de l'outil DOIVENT uniquement être effectués par un établissement de réparation professionnel. Toute réparation réalisée par du personnel non qualifié pourrait entraîner des blessures graves.
- Ne pas enlever ni altérer les étiquettes de mise en garde. Enlever les étiquettes accroît le risque d'exposition au rayonnement.
- Pour un usage intérieur seulement.
- Ce produit est conçu pour une utilisation dans une plage de températures variant de 5 °C (41 °F) à 40 °C (104 °F).



DIRECTIVES ET CONSIGNES DE S CURIT CONCERNANT LE CHARGEMENT DE LA PERCEUSE

1. Le présent guide comprend d'importantes directives, dont un mode d'emploi et des consignes de sécurité.
 2. Avant d'utiliser le chargeur, lire toutes les directives et les étiquettes de mise en garde apposées sur le chargeur, la pile et le produit utilisant la pile.
 3. **⚠ MISE EN GARDE** : afin de réduire les risques de blessure, ne charger que des blocs-piles Black & Decker, car les autres peuvent éclater et entraîner des blessures ou des dommages matériels.
 4. Ne pas exposer le chargeur à la pluie ou à la neige.
 5. L'utilisation d'un accessoire n'étant ni recommandé ni vendu par Black & Decker peut entraîner des risques d'incendie, de choc électrique ou de blessure.
 6. Afin de réduire les risques de dommage à la fiche ou au cordon électrique, débrancher le chargeur en saisissant la fiche, non le cordon.
 7. S'assurer que le cordon est situé en lieu sûr de manière à ce que personne ne marche ni ne trébuche dessus ou à ce qu'il ne soit pas endommagé ni soumis à une tension.
 8. Il est préférable de ne pas utiliser une rallonge à moins que cela ne soit absolument nécessaire. L'utilisation d'une rallonge inadéquate risque d'entraîner un incendie, un choc électrique ou une électrocution.
 - a. Les cordons à deux fils peuvent être utilisés avec les rallonges à 2 ou 3 fils. Utiliser uniquement des rallonges rondes gainées. Nous recommandons également qu'elles soient homologuées par l'organisme Laboratoires des assureurs du Canada (LAC). Si la rallonge est utilisée à l'extérieur, elle doit être prévue à cet effet. Toute rallonge marquée pour un usage extérieur peut aussi être utilisée à l'intérieur. Les lettres « W » ou « WA » inscrites sur la gaine de la rallonge indiquent qu'elle convient à une utilisation extérieure.
 - b. Une rallonge doit présenter un calibre adéquat (AWG ou American Wire Gauge) pour assurer la sécurité et éviter toute perte de puissance et toute surchauffe. Plus le numéro de calibre de fil est petit et plus sa capacité est grande, par exemple un calibre 16 a plus de capacité qu'un calibre 18. Si plus d'une rallonge est utilisée pour obtenir la longueur totale, s'assurer que chaque rallonge présente au moins le calibre de fil minimum.
 9. Utiliser seulement le chargeur fourni pour charger votre bloc-piles. L'utilisation de tout autre chargeur risque d'endommager le bloc-piles ou de créer une condition dangereuse.
 10. Utiliser un seul chargeur pour charger.
 11. Ne pas tenter d'ouvrir le chargeur. Aucune pièce à l'intérieur ne peut être réparée par le client. Retourner le produit à tout centre de réparation Black & Decker autorisé.
 12. NE PAS incinérer le bloc-piles, même s'il est très endommagé ou complètement usé. Les blocs-piles peuvent exploser en présence de flammes.
 13. Une petite fuite de liquide peut se produire dans les cellules du bloc-piles en cas d'utilisation, de charge ou de conditions de température extrêmes, cela n'indique pas de défaillance. Toutefois, si le joint d'étanchéité extérieur est rompu et que le liquide entre en contact avec la peau :
 - a. laver rapidement la zone touchée au savon et à l'eau;
 - b. neutraliser l'effet au moyen d'un acide doux comme du jus de citron ou du vinaigre et;
 - c. si le liquide du bloc-piles entre en contact avec les yeux, les rincer abondamment à l'eau propre, pendant un minimum de 10 minutes, puis obtenir des soins médicaux.
- REMARQUE AUX FINS M DICALES** : le liquide est composé d'une solution de 25 % à 35 % d'hydroxyde de potassium.

CHARGEMENT DU BLOC-PILES (BDGL1200) FIGURE C

LE BLOC-PILES N'EST PAS COMPLÈTEMENT CHARGÉ À L'USINE. AVANT DE TENTER DE CHARGER LE BLOC-PILES, LIRE ATTENTIVEMENT TOUTES LES DIRECTIVES DE SÉCURITÉ.

Le chargeur est conçu pour utiliser une alimentation domestique standard de 120 V, 60 Hz.

1. Vérifier l'insertion correcte du bloc-piles dans la perceuse. Insérer la fiche du chargeur (10) dans le connecteur (11) comme indiqué à la **figure C**.
2. Brancher le chargeur dans toute prise électrique standard de 120 V de 60 Hz puis laisser le bloc-piles charger pendant **9 heures** la première fois. Après la première charge, dans le cas d'une utilisation normale, le bloc-piles devrait se charger entièrement en **3 à 9 heures**. **REMARQUE : ne pas charger le bloc-piles au moyen d'un alternateur ou d'une source d'alimentation c.c. Utiliser uniquement le c.a. 120 V.**
3. Débrancher d'abord le chargeur de la prise secteur puis dégager l'outil du chargeur. **REMARQUE : ne pas utiliser l'outil lorsqu'il est branché au chargeur.**
REMARQUE : pour retirer le bloc-piles de la perceuse, enfoncer le bouton de dégagement (12) au dos du bloc-piles (figure E) et le faire coulisser.
REMARQUE : Éteindre le laser avant d'insérer ou de retirer le bloc-piles. Lors de l'installation du bloc-piles, s'assurer qu'il est bien inséré dans la cavité de l'outil et qu'un déclic se fait entendre.

CHARGEMENT DU BLOC-PILES (BDGL1440, BDGL1800) FIGURE D

LE BLOC-PILES N'EST PAS COMPLÈTEMENT CHARGÉ À L'USINE. AVANT DE TENTER DE CHARGER LE BLOC-PILES, LIRE ATTENTIVEMENT TOUTES LES DIRECTIVES DE SÉCURITÉ.

Le chargeur est conçu pour utiliser une alimentation domestique standard de 120 V, 60 Hz.

1. Brancher le chargeur (9) dans toute prise électrique standard de 120 volts, 60 Hz. **REMARQUE : ne pas charger le bloc-piles au moyen d'un alternateur ou d'une source d'alimentation c.c. Utiliser uniquement le c.a. 120 V.**
2. Glisser le chargeur sur le bloc-piles (8) comme il est indiqué à la **figure D**, puis laisser le bloc-piles se charger pendant **9 heures** pour la première fois. Après la première charge, dans le cas d'une utilisation normale, le bloc-piles devrait se charger entièrement en **3 à 9 heures**.
3. Débrancher le chargeur, puis enlever le bloc-piles. **Insérer le bloc-piles dans l'outil et s'assurer qu'il est bien inséré dans la cavité de l'outil et qu'un déclic se fait entendre.**
REMARQUE : pour retirer le bloc-piles de la perceuse, enfoncer le bouton de dégagement (12) au dos du bloc-piles (figure E) et le faire coulisser.

REMARQUES IMPORTANTES DE CHARGEMENT

1. Après la première charge, dans le cas d'une utilisation normale, le bloc-piles devrait se charger entièrement en 3 à 9 heures. Si le bloc-piles est complètement déchargé, il peut falloir jusqu'à 9 heures pour le charger entièrement. Le bloc-piles est expédié de l'usine sans être totalement chargé. Avant d'utiliser le bloc-piles, il doit être chargé pendant au moins 9 heures.
2. NE PAS charger le bloc-piles si la température de l'air est inférieure à 4,5 °C (40 °F) ou supérieure à 40,5 °C (105 °F). Cela est important et évitera d'endommager gravement le bloc-piles. Une durée de vie et une performance accrues peuvent être obtenues si le bloc-piles est chargé à une température de l'air d'environ 24 °C (75 °F).
3. Durant la charge, le chargeur peut émettre un vrombissement et devenir chaud au toucher. Il s'agit d'un état normal qui n'indique pas de problème.
4. Si le bloc-piles ne se charge pas adéquatement—(1) Vérifier la prise de courant en branchant une lampe ou un autre appareil électrique. (2) Vérifier si la prise est reliée à un interrupteur qui coupe le courant au moment d'éteindre la lumière. (3) Déplacer le chargeur et le bloc-piles à un endroit où la température de l'air ambiant est de 4,5 °C (40 °F) à un endroit où il fait 40,5 °C (105 °F). (4) Si la prise et la température sont correctes et que la charge obtenue n'est pas appropriée, apporter ou envoyer le bloc-piles et le chargeur à un centre de réparation Black & Decker de votre région. Consulter la section « Outils électriques » des Pages jaunes.
5. Le bloc-piles doit être rechargé lorsqu'il n'arrive pas à produire suffisamment de puissance pour des travaux qui étaient facilement réalisés précédemment. NE PAS CONTINUER à utiliser la scie si son bloc-piles est épuisé.
6. Pour prolonger la durée de vie du bloc-piles, éviter de le laisser chargé pendant de longues périodes (plus de 30 jours sans utilisation). Bien que la surcharge ne pose pas de problème de sécurité, cela peut réduire de manière importante la durée de

vie générale de la pile.

- Le bloc-piles sera au meilleur de sa performance après avoir effectué 5 cycles durant un usage normal. Il n'est pas nécessaire d'attendre que les blocs-piles soient à plat pour les recharger. Une utilisation normale est la meilleure façon de décharger et de recharger les bloc-piles.

AVERTISSEMENTS DE S CURIT ET DIRECTIVES : PERCEUSES

- Tenir fermement la perceuse en saisissant la poignée d'une main et en plaçant l'autre main sur la partie inférieure du bloc-piles.
- Lorsqu'on utilise un mandrin sans clé, on doit le serrer fermement à la main.
 ⚠ **AVERTISSEMENT** : La perceuse peut caler (à la suite d'une surcharge ou d'un mauvais usage) et causer un mouvement de torsion; on doit toujours prévoir un tel incident. Saisir la perceuse fermement afin de maîtriser la torsion de cette dernière et d'éviter de perdre la maîtrise, ce qui pourrait entraîner des blessures. Si la perceuse cale, relâcher immédiatement la gâchette et en déterminer la cause avant de redémarrer l'outil.

FONCTIONNEMENT

D TENTE ET BOUTON INVERSEUR (FIGURE F)

- La perceuse est mise en positions de MARCHE et d'ARRÊT en tirant et en relâchant la détente (1). Plus on enfonce la détente, plus la vitesse de la perceuse augmente.
- Un bouton de commande marche avant/marche arrière (2) détermine le sens de l'outil et sert aussi de bouton de verrouillage.
- Pour choisir une rotation en marche avant, relâcher la détente et abaisser le bouton de commande marche avant/marche arrière.
- Pour choisir la marche arrière, abaisser le bouton de commande marche avant/marche arrière en direction opposée.

REMARQUE : la position du centre du bouton de commande verrouille l'outil en position d'arrêt. Toujours relâcher la détente avant de changer la position du bouton de commande.

ENGRENAGE , DEUX VITESSES (FIGURE G) (BDGL1800 SEULEMENT)

La fonction à deux vitesses du modèle BDGL1800 vous permet de changer de vitesse, pour une polyvalence accrue.

- Pour sélectionner la basse vitesse, réglage de couple élevé (position 1), éteindre l'outil et le laisser s'arrêter. Avancer le bouton de changement de rapport (13) vers le mandrin.
- Pour sélectionner la vitesse élevée, réglage de couple faible (position 2), éteindre l'outil et le laisser s'arrêter. Remettre en position le bouton de changement de rapport (13) (loin du mandrin). **REMARQUE** : ne pas changer de rapport lorsque l'outil fonctionne. En cas de difficulté à changer de rapport, s'assurer que le bouton de changement de rapport soit complètement avancé ou reculé.

COMMANDE DE COUPLE (FIGURE H)

L'outil est muni d'une bague (3) qui permet de sélectionner le mode de travail et de régler le couple de serrage pour le serrage des vis. Les grosses vis et les pièces en matière dure exigent un couple de serrage plus élevé que les petites vis et les pièces de matières plus souples.

- Pour le perçage du bois, du métal et des plastiques, aligner la bague sur le symbole de la perceuse.
- Pour le vissage, aligner la bague sur la configuration voulue. Si la configuration n'est pas connue, procéder comme suit :
- Régler la bague sur le couple le plus faible.
- Serrer la première vis.
- Si l'embrayage émet des « cliquetis » avant l'obtention du résultat voulu, augmenter le réglage de la bague et poursuivre le vissage. Répéter la procédure jusqu'à l'obtention du bon réglage. Utiliser la configuration obtenue pour les autres vis.

MANDRIN SANS CL (FIGURE I)

Pour insérer une mèche ou autre accessoire :

- Saisir la partie inférieure du mandrin (4) avec une main et utiliser l'autre pour faire

tourner la partie supérieure du mandrin en sens antihoraire, si vous regardez la perceuse par le mandrin.

2. Insérer complètement la mèche ou tout autre accessoire dans le mandrin et resserrer fermement en retenant la partie inférieure du mandrin et en faisant tourner sa partie supérieure en sens horaire, si vous regardez la perceuse, par le mandrin.

⚠AVERTISSEMENT : ne pas essayer de resserrer les mèches (ou tout autre accessoire) en saisissant la partie avant du mandrin et en mettant l'outil en marche. Lors du changement d'accessoires, il y a risque d'endommager le mandrin et d'entraîner des blessures corporelles.

UTILISATION DU LASER

La perceuse est dotée d'un laser qui s'allume et s'éteint indépendamment de l'outil.

⚠AVERTISSEMENT : ne jamais diriger le faisceau sur une personne ou sur une surface réfléchissante. Les feuilles d'acier brillant et réfléchissant et les autres surfaces réfléchissantes similaires ne sont pas recommandées pour une utilisation avec le laser. Les surfaces réfléchissantes peuvent rediriger le faisceau vers l'opérateur.

⚠ATTENTION : RAYONNEMENT LASER. VITER TOUT CONTACT DIRECT AVEC LES YEUX. Ne pas regarder vers la source lumineuse du laser. Ne jamais diriger le faisceau vers une autre personne ou vers tout autre objet autre que la pièce. Le faisceau du laser peut endommager les yeux.

⚠AVERTISSEMENT : NE PAS utiliser de verres teintés pour augmenter la luminosité du faisceau laser. Les verres teintés réduisent la vision globale de l'application et interfèrent avec le fonctionnement normal de l'outil.

MISE EN MARCHÉ ET HORS TENSION DU LASER (FIGURE J)

- Pour actionner le laser, coulisser le bouton de mise en marche/arrêt (6) à la position (I).
- Pour l'éteindre, le coulisser à la position (0).

RÈGLE DE LA DIRECTION DU FAISCEAU LASER (FIGURE K)

Le faisceau laser se règle autant pour des applications de mise à niveau horizontale que verticale.

- Pour modifier la direction de projection du faisceau laser, déplacer l'actionneur de direction du laser (7) dans la direction voulue.

REMARQUE : le laser ne fonctionnera pas si la perceuse est à l'envers.

UTILISATION DE LA FONCTION DE MISE À NIVEAU (HORIZONTAL GAUCHE - FIGURE L)

- Positionner l'outil à plat contre le mur comme indiqué.
- Pour mettre le laser sous tension, faire coulisser l'interrupteur de marche/arrêt (6) en position (I).
- Déplacer l'actionneur de direction du laser (7 à la figure K) complètement à gauche. À partir de l'ouverture, le faisceau laser sera projeté vers la gauche, à l'horizontale (5 à la figure B).
- Déplacer l'outil au besoin pour positionner le faisceau laser.

REMARQUE : les lignes laser ne seront à niveau que si l'outil est à plus ou moins 5 degrés de la verticale.

- Pour mettre le laser hors tension, coulisser l'interrupteur de marche/arrêt (6) en position (0).

REMARQUE : le laser ne fonctionnera pas si la perceuse est à l'envers.

UTILISATION DE LA FONCTION DE MISE À NIVEAU (VERTICALEMENT - FIGURE M)

- Positionner l'outil à plat contre le mur comme indiqué.
- Pour mettre le laser sous tension, faire coulisser l'interrupteur de marche/arrêt (6) en position (I).
- Déplacer l'actionneur de direction du laser (7 à la figure K) en position centrale. À partir de l'ouverture, le faisceau laser sera projeté verticalement (5 à la figure B).
- Déplacer l'outil au besoin pour positionner le faisceau laser.

REMARQUE : les lignes laser ne seront à niveau que si l'outil est à plus ou moins 5 degrés de la verticale.

- Pour mettre le laser hors tension, faire coulisser l'interrupteur de marche/arrêt (6) en position (0).

REMARQUE : le laser ne fonctionnera pas si la perceuse est à l'envers.

UTILISATION DE LA FONCTION DE MISE À NIVEAU (HORIZONTAL DROITE -

FIGURE N)

- Positionner l'outil à plat contre le mur comme indiqué.
- Pour mettre le laser sous tension, faire coulisser l'interrupteur de marche/arrêt (6) en position I.
- Déplacer l'actionneur de direction du laser (7 à la figure K) complètement à droite. À partir de l'ouverture, le faisceau laser sera projeté vers la droite, à l'horizontale (5 à la figure B).
- Déplacer l'outil au besoin pour positionner le faisceau laser.

REMARQUE : les lignes laser ne seront à niveau que si l'outil est à plus ou moins 5 degrés de la verticale.

- Pour mettre le laser hors tension, faire coulisser l'interrupteur de marche/arrêt (6) en position (0).

- **REMARQUE** : le laser ne fonctionnera pas si la perceuse est à l'envers.

VISSAGE

Pour visser des attaches, pousser le bouton de marche arrière vers la gauche. Utiliser la marche arrière (le bouton poussé à droite) pour retirer les attaches. Lors de la permutation entre la marche avant et la marche arrière, ou vice versa, s'assurer de relâcher d'abord la détente.

RANGEMENT INT GR DES MÛCHES

Il existe une rainure pour le rangement des mèches juste au-dessus du bloc-piles.

PER AGE

- N'utiliser que des mèches bien aiguisées.
- Soutenir correctement et fixer solidement la pièce, tel qu'indiqué dans les directives de sécurité.
- Utiliser l'équipement de sécurité approprié, tel qu'indiqué dans les directives de sécurité.
- Protéger et entretenir la zone de travail, tel qu'indiqué dans les directives de sécurité.
- Faire tourner la perceuse très lentement, en utilisant peu de pression, jusqu'à ce que le trou soit suffisamment grand pour que la mèche ne glisse pas.
- Exercer une pression en ligne droite avec la mèche. Exercer suffisamment de pression pour faire mordre la mèche mais ne pas appuyer à l'excès pour éviter de faire caler le moteur ou de faire dévier la mèche.
- **Tenir fermement la perceuse avec les deux mains afin de maîtriser sa torsion.**
- **NE PAS TENTER DE FAIRE DÉMARRER UNE PERCEUSE BLOQUÉE EN UTILISANT LA DÉTENTE. IL Y A RISQUE D'ENDOMMAGER LA PERCEUSE.**
- Éviter les blocages en réduisant la pression lors du perçage et percer lentement dans la dernière portion du trou.
- Faire tourner la perceuse pour retirer la mèche du trou percé. Cette pratique réduira ainsi les blocages.
- **S assurer que la détente fonctionne.**

ENTRETIEN

N'utiliser que du savon doux et un chiffon humide pour nettoyer l'outil; ne jamais laisser de liquide pénétrer à l'intérieur de ce dernier et ne jamais l'immerger dans un liquide quelconque.

IMPORTANT : pour assurer la SÉCURITÉ et la FIABILITÉ de ce produit, toutes les opérations de réparation, d'entretien et de réglage doivent être effectuées dans un centre de service autorisé ou par du personnel qualifié; on ne doit utiliser que des pièces de rechange identiques.

DÉPANNAGE

Problème	Cause possible	Solution possible
<ul style="list-style-type: none"> L'appareil refuse de démarrer. 	<ul style="list-style-type: none"> Mauvaise installation du bloc-piles. Bloc-piles non chargée. 	<ul style="list-style-type: none"> Vérifier l'installation du bloc-piles. Vérifier les exigences de charge pour le bloc-piles.
<ul style="list-style-type: none"> Le bloc-piles ne se charge pas. 	<ul style="list-style-type: none"> Bloc-piles non insérée dans le chargeur. Chargeur non branché. Température ambiante trop chaude ou froide. 	<ul style="list-style-type: none"> Insérer le bloc-piles dans le chargeur de sorte que le voyant DEL rouge apparaisse. Brancher le chargeur dans une prise qui fonctionne. Se reporter à la rubrique « Remarques importantes de chargement » pour plus de renseignements. Déplacer le chargeur et l'outil à une température ambiante de plus de 4,5 °C (40 °F) ou sous les 40,5 °C (105 °F) 105 degree F (+40,5°C).

Pour de l'aide avec l'outil, consulter notre site Web www.blackanddecker.com pour l'emplacement du centre de réparation le plus près ou communiquer avec l'assistance BLACK & DECKER au **1-800-544-6986**.

ACCESSOIRES

Les accessoires recommandés pour chaque outil sont vendus séparément chez les dépositaires locaux ou dans les centres de service autorisés. Pour obtenir plus d'information sur les accessoires, composer le **1 800 544-6986**.

⚠ AVERTISSEMENT : l'usage d'un accessoire non recommandé peut présenter un danger.

Le SCEAU SRPRC™

Le sceau SRPRC™ apposé sur le bloc-piles au nickel cadmium indique que son coût de recyclage à la fin de sa vie utile sera payé par Black & Decker. Il est illégal de jeter les piles au nickel cadmium épuisées dans les poubelles ou dans le système municipal d'élimination des résidus solides. Le programme RBRC représente donc une alternative sensibilisée à l'environnement. La SRPRC™, en collaboration avec Black & Decker, ont établi aux États-Unis et au Canada des programmes facilitant la cueillette des piles au nickel cadmium épuisés. Black & Decker encourage ses utilisateurs à participer à son programme de protection de l'environnement en retournant les piles usagées à un centre de réparation autorisé Black & Decker. On peut également communiquer avec le centre de recyclage de la région pour savoir où déposer les piles usées ou composer le **1-800-8-BATTERY**.



INFORMATION SUR LES SERVICES

Tous les centres de service Black & Decker sont dotés de personnel qualifié en matière d'outillage électrique; ils sont donc en mesure d'offrir à leur clientèle un service efficace et fiable. Pour obtenir un conseil technique ou une pièce d'origine ou pour faire réparer un outil, on peut communiquer avec le centre Black & Decker le plus près. Pour obtenir le numéro de téléphone, consulter les pages jaunes sous la rubrique «Outils - électriques», composer le **1 800 544-6986** ou encore, visiter notre site Web **www.blackanddecker.com**.

GARANTIE COMPLÈTE DE DEUX ANS POUR USAGE RESIDENTIEL

Black & Decker (U.S.) Inc. garantit ce produit pour une période de deux ans contre tout défaut de matériel ou de fabrication. Le produit défectueux sera remplacé ou réparé sans frais, suivant l'une des deux méthodes suivantes.

La première méthode consiste en un échange seulement. On doit retourner le produit au détaillant qui l'a vendu (pourvu qu'il s'agisse d'un détaillant participant), en respectant les délais stipulés dans sa politique relative aux échanges (normalement de 30 à 90 jours après la vente). Une preuve d'achat peut être requise. On doit vérifier la politique de retour du détaillant pour tout produit retourné après le délai prescrit pour les échanges.

La deuxième méthode consiste à apporter ou à envoyer le produit (prépayé) à un centre Black & Decker ou à un centre de service autorisé aux fins de réparation ou de remplacement, selon notre choix. Une preuve d'achat peut être requise. Les centres Black & Decker et les centres de service autorisés sont répertoriés dans les pages jaunes sous la rubrique «Outils - électriques» et sur notre site Web **www.blackanddecker.com**.

Cette garantie ne s'applique pas aux accessoires. Elle confère des droits légaux particuliers à l'acheteur, mais celui-ci pourrait aussi bénéficier d'autres droits variant d'un territoire à l'autre.

Toute question doit être adressée au gérant du centre Black & Decker le plus près. Ce produit n'est pas destiné à un usage commercial.

Remplacement gratuit des étiquettes d'avertissement : Si vos étiquettes d'avertissement deviennent illisibles ou sont manquantes, composez le **1 (800) 544-6986** pour faire remplacer gratuitement vos étiquettes.

Imported by / Importé par
Black & Decker Canada Inc.
100 Central Ave.
Brockville (Ontario) K6V 5W6

Voir la rubrique "Outils électriques"
des Pages Jaunes
pour le service et les ventes.



CARACTÉRISTIQUES TECHNIQUES DU LASER :

Longueur d'onde de la diode du laser :	633-670 nm (couleur rouge)
Classe du laser :	Classe II
Précision :	+/- 3,0 mm (1/8") à 3 m (10 pi)
Température de fonctionnement :	10 °C (50 °F) - 40 °C (104 °F)



MANUAL DE INSTRUCCIONES

**N MEROS DE
CAT LOGO
BDGL1200, BDGL1440,
BDGL1800**



**¡GRACIAS POR ELEGIR BLACK & DECKER!
VAYA A WWW.BLACKANDDECKER.COM/NEWOOWNER
PARA REGISTRAR SU NUEVO PRODUCTO.**

**ANTES DE DEVOLVER ESTE PRODUCTO POR
CUALQUIER MOTIVO, LLAME AL
(55)5326-7100**

ANTES DE LLAMAR, TENGA EL NÚMERO DE CATÁLOGO Y EL CÓDIGO DE FECHA PREPARADOS. EN LA MAYORÍA DE LOS CASOS, UN REPRESENTANTE DE BLACK & DECKER PUEDE RESOLVER EL PROBLEMA POR TELÉFONO. SI DESEA REALIZAR UNA SUGERENCIA O COMENTARIO, LLÁMENOS. SU OPINIÓN ES FUNDAMENTAL PARA BLACK & DECKER.

CONSERVE ESTE MANUAL PARA FUTURAS CONSULTAS.

Normas generales de seguridad

⚠️ ADVERTENCIA: Lea todas las instrucciones. El incumplimiento de las instrucciones enumeradas debajo puede provocar descarga eléctrica, incendio o lesiones graves. El término "herramienta eléctrica" incluido en todas las advertencias enumeradas a continuación hace referencia a su herramienta eléctrica operada con corriente (alámbrica) o a su herramienta eléctrica operada con baterías (inalámbrica).

CONSERVE ESTAS INSTRUCCIONES

1) Seguridad en el área de trabajo

- a) **Mantenga el área de trabajo limpia y bien iluminada.** *Las áreas abarrotadas y oscuras propician accidentes.*
- b) **No opere herramientas eléctricas en atmósferas explosivas, como ambientes donde se encuentran líquidos, gases o polvo inflamables.** *Las herramientas eléctricas originan chispas que pueden encender el polvo o los vapores.*
- c) **Mantenga a los niños y espectadores alejados de la herramienta eléctrica en funcionamiento.** *Las distracciones pueden provocar la pérdida de control.*

2) Seguridad eléctrica

- a) **Los enchufes de la herramienta eléctrica deben adaptarse al tomacorriente.** *Nunca modifique el enchufe de ninguna manera. No utilice ningún enchufe adaptador con herramientas eléctricas con conexión a tierra. Los enchufes no modificados y que se adaptan a los tomacorrientes reducirán el riesgo de descarga eléctrica.*
- b) **Evite el contacto corporal con superficies puestas a tierra, como por ejemplo tuberías, radiadores, rangos y refrigeradores.** *Existe mayor riesgo de descarga eléctrica si su cuerpo está puesto a tierra.*
- c) **No exponga las herramientas eléctricas a la lluvia o a condiciones de humedad.** *Si ingresa agua a una herramienta eléctrica, aumentará el riesgo de descarga eléctrica.*
- d) **No maltrate al cable. Nunca utilice el cable para transportar, tirar o desenchufar la herramienta eléctrica.** *Mantenga el cable lejos del calor, aceite, bordes afilados o piezas móviles. Los cables dañados o enredados aumentan el riesgo de descarga eléctrica.*
- e) **Al operar una herramienta eléctrica en el exterior, utilice un cable prolongador adecuado para tal uso.** *Utilice un cable adecuado para uso en exteriores a fin de reducir el riesgo de descarga eléctrica.*

3) Seguridad personal

- a) **Permanezca alerta, controle lo que está haciendo y utilice el sentido común cuando emplee una herramienta eléctrica.** *No utilice una herramienta eléctrica si está cansado o bajo el efecto de drogas, alcohol o medicamentos. Un momento de descuido mientras se opera una herramienta eléctrica podría provocar daños personales graves.*
- b) **Use equipo de seguridad. Siempre utilice protección para los ojos.** *El equipo de seguridad, como las máscaras para polvo, el calzado de seguridad antideslizante, los cascos o la protección auditiva utilizados para condiciones adecuadas reducirán las lesiones personales.*
- c) **Evite el encendido por accidente. Asegúrese de que el interruptor esté en la posición de apagado antes de enchufar la herramienta.** *Transportar herramientas eléctricas con su dedo apoyado sobre el interruptor o enchufar herramientas eléctricas con el interruptor en posición de encendido puede propiciar accidentes.*
- d) **Retire las clavijas de ajuste o llaves de tuercas antes de encender la herramienta eléctrica.** *Una llave de tuercas o una clavija de ajuste que se deje conectada a una pieza giratoria de la herramienta eléctrica pueden provocar lesiones personales.*
- e) **No se estire. Conserve el equilibrio adecuado y manténgase parado correctamente en todo momento.** *Esto permite un mejor control de la herramienta eléctrica en situaciones inesperadas.*
- f) **Vístase apropiadamente. No use ropas holgadas ni joyas. Mantenga el cabello, las ropas y los guantes alejados de las piezas móviles. Las ropas**

holgadas, las joyas o el cabello largo pueden quedar atrapados en las piezas móviles. *Los orificios de ventilación suelen cubrir piezas móviles, por lo que también se deben evitar.*

- g) Si se suministran dispositivos para la conexión de accesorios para la recolección y extracción de polvo, asegúrese de que estén conectados y se utilicen correctamente.** *El uso de estos dispositivos puede reducir los peligros relacionados con el polvo.*
- 4) Uso y mantenimiento de la herramienta eléctrica**
- a) No fuerce la herramienta eléctrica. Utilice la herramienta eléctrica correcta para el trabajo que realizará.** *La herramienta eléctrica correcta hará el trabajo mejor y más seguro a la velocidad para la que fue diseñada.*
- b) No utilice la herramienta eléctrica si no puede encenderla o apagarla con el interruptor.** *Toda herramienta eléctrica que no puede ser controlada mediante el interruptor es peligrosa y debe ser reparada.*
- c) Desconecte el enchufe de la fuente de energía y/o el paquete de baterías de la herramienta eléctrica antes de realizar ajustes, cambiar accesorios o almacenar herramientas eléctricas.** *Estas medidas de seguridad preventivas reducen el riesgo de encender la herramienta eléctrica en forma accidental.*
- d) Guarde las herramientas eléctricas que no están en uso fuera del alcance de los niños y no permite que otras personas no familiarizadas con ella o con estas instrucciones operen la herramienta.** *Las herramientas eléctricas son peligrosas en las manos de usuarios no entrenados.*
- e) Mantenimiento de las herramientas eléctricas. Controle que no haya piezas móviles mal alineadas o trabadas, piezas rotas y toda otra situación que pueda afectar el funcionamiento de las herramientas eléctricas. Si encuentra daños, haga reparar la herramienta eléctrica antes de utilizarla.** *Se producen muchos accidentes a causa de las herramientas eléctricas que carecen de un mantenimiento adecuado.*
- f) Mantenga las herramientas de corte afiladas y limpias.** *Las herramientas de corte con mantenimiento adecuado, con los bordes de corte afilados son menos propensas a trabarse y son más fáciles de controlar.*
- g) Utilice la herramienta eléctrica, los accesorios y las brocas de la herramienta, etc. de acuerdo con estas instrucciones y de la forma prevista para el tipo de herramienta eléctrica en particular, teniendo en cuenta las condiciones de trabajo y el trabajo que debe realizarse.** *El uso de la herramienta eléctrica para operaciones diferentes de aquéllas para las que fue diseñada puede provocar una situación peligrosa.*
- 5) Uso y mantenimiento de la herramienta con baterías**
- a) Asegúrese de que el interruptor esté en la posición de apagado antes de insertar el paquete de baterías.** *Insertar el paquete de baterías en las herramientas eléctricas con el interruptor encendido puede provocar accidentes.*
- b) Recargue solamente con el cargador especificado por el fabricante.** *Un cargador adecuado para un tipo de paquete de baterías puede originar riesgo de incendio si se utiliza con otro paquete de baterías.*
- c) Utilice herramientas eléctricas sólo con paquetes de baterías específicamente diseñados.** *El uso de cualquier otro paquete de baterías puede producir riesgo de incendio y lesiones.*
- d) Cuando no utilice el paquete de baterías, manténgalo lejos de otros objetos metálicos como sujetapapeles, monedas, llaves, clavos, tornillos u otros objetos metálicos pequeños que puedan realizar una conexión desde un terminal al otro.** *Los cortocircuitos en los terminales de la batería pueden provocar quemaduras o incendio.*
- e) En condiciones abusivas, el líquido puede ser expulsado de la batería. Evite su contacto. Si entra en contacto accidentalmente, enjuague con agua. Si el líquido entra en contacto con sus ojos, busque atención médica.** *El líquido expulsado de la batería puede provocar irritación o quemaduras.*

6) Mantenimiento

- a) Haga que una persona de reparaciones calificada realice el mantenimiento de su herramienta eléctrica y utilice piezas de repuesto idénticas solamente. *Esto garantizará la seguridad de la herramienta eléctrica.*
- b) En caso de que sea necesario reemplazar el cable de alimentación, deberá realizarlo el fabricante o su agente a fin de evitar un riesgo de seguridad.

NORMAS DE SEGURIDAD ESPECÍFICAS

- **Utilice protectores auditivos con los taladros de impacto.** La exposición al ruido puede ocasionar la pérdida de la audición.
- **Sujete la herramienta por las superficies aislantes cuando realice una operación en que la herramienta pueda hacer contacto con cableados ocultos.** Al hacer contacto con un cable "vivo", las partes metálicas de la herramienta se vuelven "vivas" y pueden originar un choque al operador.
- **Cuando trabaje subido a una escalera o a un andamiaje, asegúrese de apoyar la herramienta de costado mientras no la use.** Algunas herramientas con paquetes de baterías grandes permanecerán en forma vertical, pero pueden ser fácilmente derribadas.
- **Utilice prensas u otros medios prácticos para asegurar y apoyar la pieza de trabajo en una plataforma estable.** Sujetar las piezas con la mano o contra su cuerpo es inestable y puede originar la pérdida de control.

MEDIDAS DE PRIMEROS AUXILIOS PARA EXPOSICIÓN A LOS COMPONENTES DE GEL

Si el gel que se encuentra dentro de la empuñadura queda expuesta y entra en contacto con su piel, lávese con agua y jabón. Si entra en contacto con sus ojos, enjuáguelos con agua fresca. Si ingiere el gel, busque atención médica. Si llama al 55(5326-7100, podrá obtener una copia de la Ficha de Datos de Seguridad (MSDS) para este material.

⚠ ADVERTENCIA: El polvo creado al lijar, aserrar, pulir, taladrar o realizar otras actividades de la construcción, contiene sustancias químicas que se sabe producen cáncer, defectos de nacimiento u otros defectos del sistema reproductor. Algunos ejemplos de esos productos químicos son:

- El plomo de las pinturas a base de plomo,
- La sílice cristalina de los ladrillos, del cemento y de otros productos de albañilería, y
- El arsénico y el cromo de la madera tratada químicamente (CCA).

El riesgo que se corre a causa del contacto con esos productos varía según la frecuencia con que usted realice este tipo de trabajos. Con el fin de reducir su exposición a esas sustancias químicas, trabaje en un área bien ventilada y utilice un equipo de seguridad reglamentario, tal como una máscara contra el polvo especialmente diseñada para filtrar partículas microscópicas.

- **Evite el contacto prolongado con el polvo proveniente del lijado, aserrado, amolado y taladrado eléctrico y otras actividades de construcción. Use vestimenta protectora y lave todas las áreas expuestas con agua y jabón.** De entrar polvo en sus ojos, boca, o que este permanezca sobre su piel puede promover la absorción de químicos dañinos.

⚠ ADVERTENCIA: El uso de esta herramienta puede generar y/o dispersar el polvo, el cual puede ocasionar lesión respiratoria u otro tipo de lesión grave y permanente. Utilice siempre protección respiratoria NIOSH/OSHA apropiada para la exposición al polvo. Dirija las partículas lejos de su cara o su cuerpo.

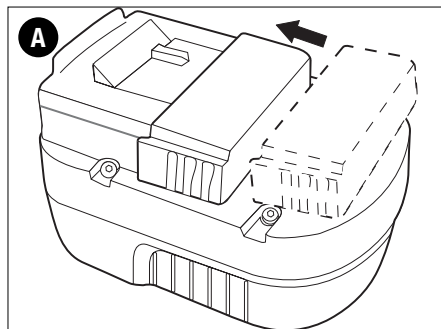
La etiqueta de su herramienta puede incluir los siguientes símbolos.

V	volts	A	amperes
Hz	hertz	W	watts
min	minutos	~	corriente alterna
⎓	corriente directa	n _o	velocidad sin carga
☐	construcción clase II	⊕	terminales de conexión a tierra
⚠	símbolo de alerta seguridad	.../min	revoluciones o reciprocaciones por minuto

INFORMACION ACERCA DEL PROTECTOR DE LA BATERÍA

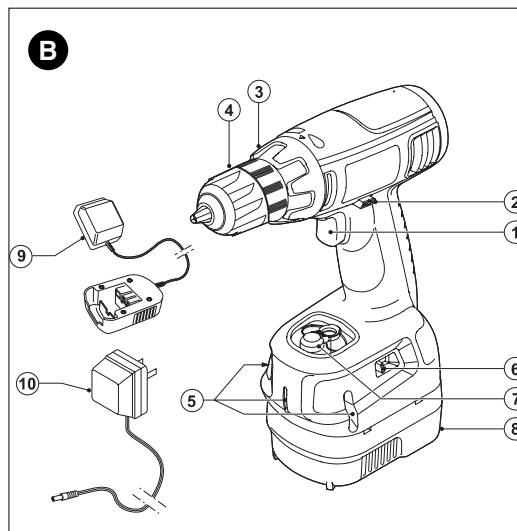
Se han incluido protectores para el almacenaje y transporte de la batería. Estos deben ser usados cuando la batería no esté conectada a la herramienta ni en el cargador. Recuerde quitar el protector antes de poner la batería en el cargador o conectarla a la herramienta.

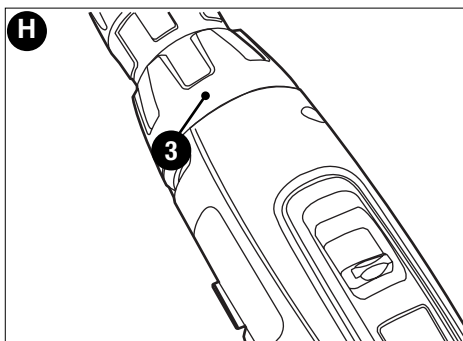
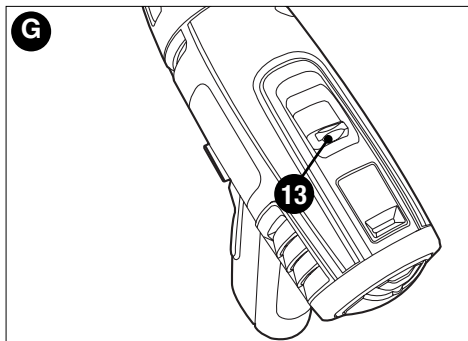
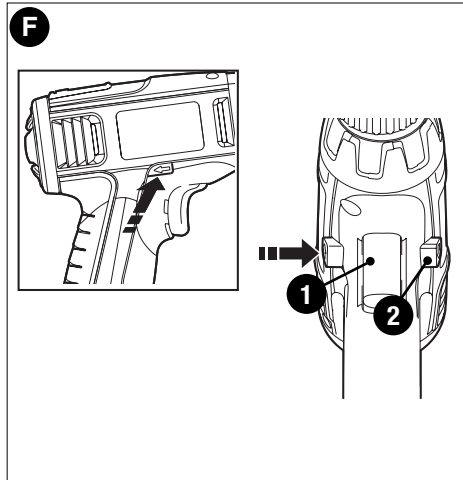
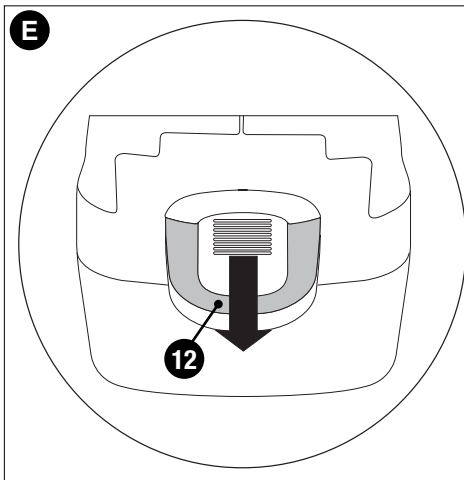
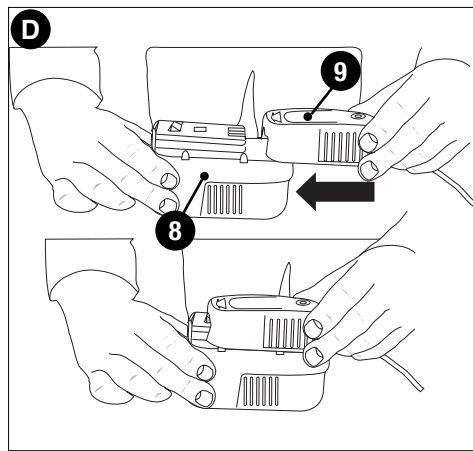
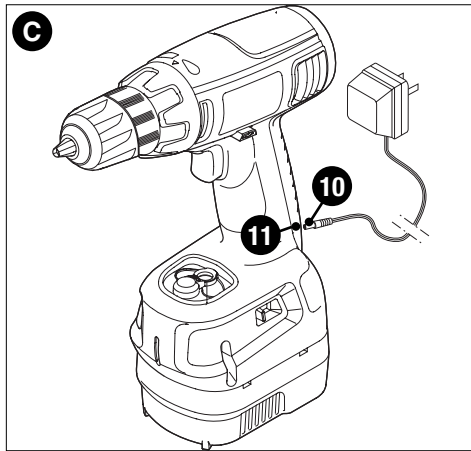
⚠ ADVERTENCIA: No guarde ni lleve baterías, unidades de alimentación o pilas en un lugar donde sus terminales pudieran entrar en contacto con algún objeto metálico. Por ejemplo, no ponga baterías, unidades de alimentación o pilas dentro de un delantal o bolsillo, una caja de herramientas o de almacenamiento del producto, un cajón, etc., junto con clavos sueltos, tornillos, llaves, etc. si no están debidamente protegidas. El transporte de baterías, unidades de alimentación o pilas puede causar un incendio si sus terminales entran en contacto sin querer con materiales conductores como llaves, monedas, herramientas de mano y otros por el estilo. De hecho, el reglamento sobre materiales peligrosos (HMR) del Ministerio de Transporte de los Estados Unidos prohíbe el transporte de baterías, unidades de alimentación o pilas en cualquier tipo de transporte terrestre o aéreo (es decir, embaladas en maletas y maletines de mano) A NO SER que estén debidamente protegidas de hacer cortocircuito. Por lo tanto, cuando transporte baterías, unidades de alimentación o pilas individuales, asegúrese que sus terminales estén protegidos y debidamente aislados de materiales que pudieran entrar en contacto con ellos y causar un cortocircuito.

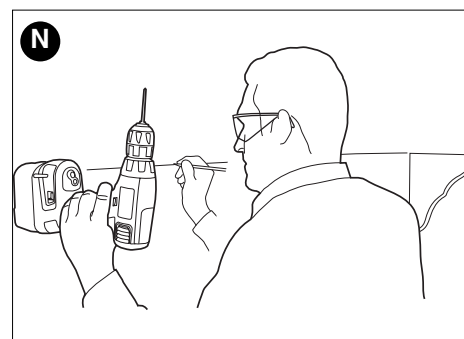
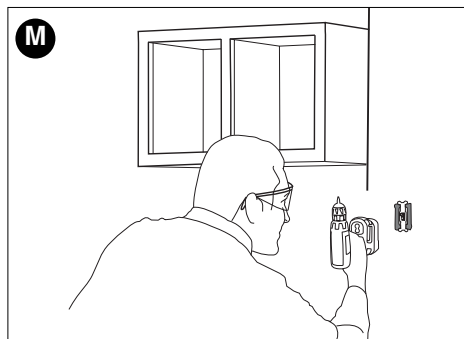
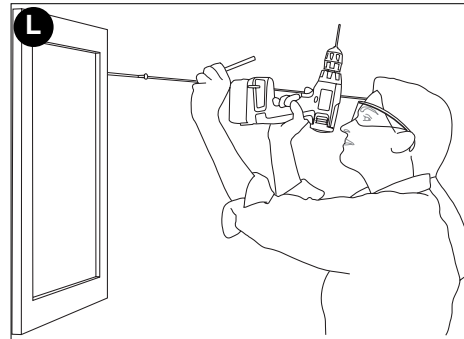
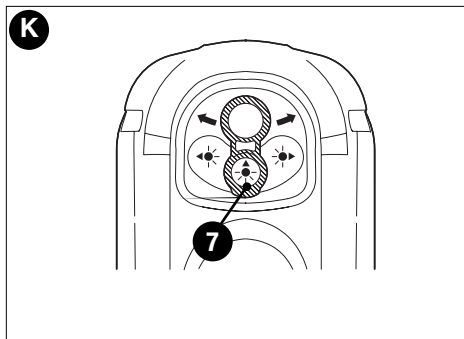
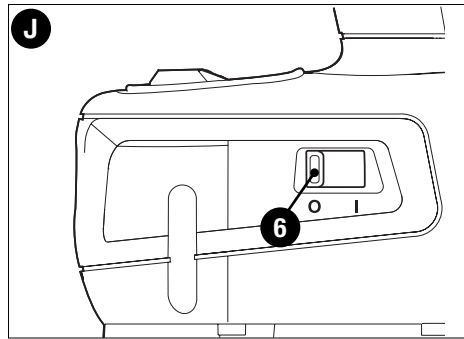
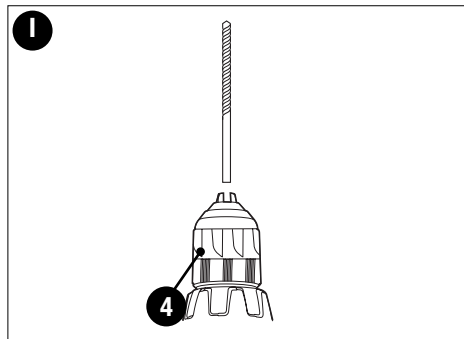


DESCRIPCIÓN DE LAS FUNCIONES

1. Interruptor de velocidad variable
2. Interruptor deslizable de avance y reversa
3. Anillo de torsión ajustable
4. Portabrocas
5. Aperturas del láser
6. Interruptor de encendido/apagado del láser
7. Actuador para la dirección del láser
8. Batería
9. Cargador con forma de copa
10. Cargador para enchufe hembra (BDGL1200)







INSTRUCCIONES DE SEGURIDAD PARA EL L SER

⚠PRECAUCIÓN: Radiación láser, evite la exposición directa de los ojos, pueden producirse lesiones oculares graves.

- No utilice herramientas ópticas, como por ejemplo un telescopio o un teodolito para ver el rayo láser.
- Coloque el láser de manera que se evite todo contacto accidental con los ojos.
- No opere el láser con niños alrededor ni permita que los niños operen el láser o la herramienta eléctrica.
- No desmontar. Cualquier modificación que se realice al producto aumenta el riesgo de radiación láser.

⚠ADVERTENCIA: La utilización de controles o ajustes o la realización de procedimientos diferentes a los especificados en este manual podrían provocar el riesgo de exposición a radiación láser.

- No opere la herramienta en atmósferas explosivas, como ambientes donde se encuentren líquidos, gases o polvo inflamables.
- Guarde el producto que no está en-uso fuera del alcance de los niños y de personas no entrenadas. Las láseres son peligrosas si son operadas por usuarios no capacitados.
- Utilice sólo accesorios recomendados por el fabricante para el modelo que posee. Los

accesorios correctos para un láser pueden provocar riesgo de lesiones si se utilizan con otro láser.

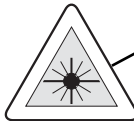
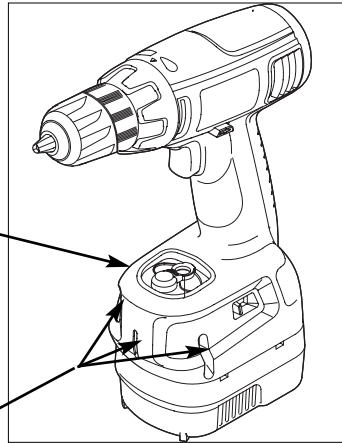
- Las reparaciones y el mantenimiento DEBEN ser realizados por un centro de reparaciones calificado. Las reparaciones realizadas por personal no calificado pueden provocar lesiones graves.
- No retire ni borre las etiquetas de advertencia. El retiro de las etiquetas aumenta el riesgo de exposición a radiación.
- Únicamente para uso en interiores.
- Este producto está diseñado para utilizarse con temperaturas entre 5 °C (41 °F) y 40 °C (104 °F).



BDGL1200/
BDGL1440



BDGL1800



⚠ ADVERTENCIAS E INSTRUCCIONES DE SEGURIDAD: CARGAR

1. Este manual contiene instrucciones de seguridad y operación importantes.
2. Antes de usar el cargador de batería, lea todas las instrucciones y marcas de advertencia en el cargador de la batería, la batería y el producto que utiliza la batería.
3. ⚠ **ATENCIÓN:** Para reducir el riesgo de lesión, sólo cargue unidades de alimentación Black & Decker. Otros tipos de baterías podrían reventarse y causar lesiones corporales y otros daños.
4. No exponga el cargador a lluvia o nieve.
5. El uso de un accesorio no recomendado o vendido por Black & Decker podría resultar en riesgo de incendio, descarga eléctrica o lesiones corporales.
6. Para reducir el riesgo de daño al enchufe y cable de alimentación, jale del enchufe y no del cable cuando desconecte el cargador.
7. Asegúrese de que el cable esté ubicado de manera que no lo pise o se tropiece con él y que no esté sujeto a daños o tensiones de alguna otra manera.
8. No se debe utilizar un cable prolongador a menos que sea absolutamente necesario. El uso de un cable prolongador incorrecto puede provocar riesgo de incendio, descarga eléctrica o electrocución.
 - a. Se pueden usar cables de dos conductores con cables prolongadores de dos o tres conductores. Sólo se deben utilizar cables prolongadores con cubierta redonda, y recomendamos que estén en la lista de Underwriters Laboratories (U.L.). Si la prolongación se va a utilizar en el exterior, el cable debe ser apropiado para usar en exteriores. Cualquier cable indicado para uso en exteriores también se puede utilizar en interiores. Las letras "W" o "WA" en la cubierta del cable indican que el cable es adecuado para uso en exteriores.
 - b. Un cable prolongador debe tener una medida de conductor adecuada (AWG o Medida de conductor estadounidense) por seguridad y para evitar pérdida de energía y recalentamiento. A menor número de calibre del conductor, mayor será la capacidad del cable; es decir, un calibre 16 tiene más capacidad que un calibre 18.

Cuando se utiliza más de una prolongación para lograr la longitud total, asegúrese de que cada prolongación tenga la medida mínima de conductor.

9. Utilice únicamente el cargador provisto cuando cargue el paquete de baterías. El uso de cualquier otro cargador puede dañar el paquete de baterías o provocar una condición de riesgo.
10. Utilice un solo cargador cuando carga.
11. No intente abrir el cargador. No contiene elementos que el cliente pueda reparar. Devuelva a cualquier centro de mantenimiento Black & Decker autorizado.
12. NO incinere el paquete de baterías aun si tiene daños importantes o está completamente desgastado. Las baterías pueden explotar en el fuego.
13. En condiciones de uso, de carga o de temperaturas extremas, podría producirse una pequeña pérdida de líquido en las celdas del paquete de baterías. Esto no indica una falla. Sin embargo, si el sello externo está roto y esta pérdida toca su piel:
 - a. Lave rápidamente con agua y jabón.
 - b. Neutralice con un ácido suave como jugo de limón o vinagre.
 - c. Si el líquido de la batería entra en contacto con sus ojos, lávelos con agua limpia durante al menos 10 minutos y busque atención médica inmediatamente.

NOTA MEDICA: El líquido es una solución de hidróxido de potasio al 25%-35%.

CARGA DEL PAQUETE DE BATERÍAS (BDGL1200) FIGURA C

EL PAQUETE DE BATERÍAS NO SALE DE FÁBRICA COMPLETAMENTE CARGADO. ANTES DE INTENTAR CARGAR EL PAQUETE DE BATERÍAS, LEA ATENTAMENTE TODAS LAS INSTRUCCIONES DE SEGURIDAD.

El cargador está diseñado para utilizar la energía eléctrica doméstica estándar, 120 voltios, 60 Hz.

1. Asegúrese de que el paquete de baterías esté correctamente instalado en el taladro. Introduzca el enchufe del cargador (10) en el conector (11), como se muestra en la **Figura C**.
2. Enchufe el cargador en cualquier tomacorriente eléctrico estándar de 120 voltios, 60 Hz y deje que se cargue la primera vez durante **9 horas**. Después de la carga inicial, en condiciones normales de uso, su paquete de baterías debería cargarse entre 3 y 9 horas. **NOTA: No cargue con un generador o un suministro de energía de corriente continua (CC). Utilice únicamente corriente alterna de 120 voltios.**
3. Primero desenchufe el cargador del tomacorriente y luego desenchufe el cargador de la herramienta.

NOTA: No utilice la herramienta mientras esté conectada al cargador.

NOTA: Para retirar el paquete de baterías del taladro, presione el botón de liberación (12) en la parte posterior del paquete (**Figura E**) y deslícelo.

NOTA: Apague el láser antes de insertar / retirar el paquete de baterías. Cuando instale el paquete de baterías, asegúrese de que esté completamente insertado en la cavidad de la herramienta hasta que produzca un sonido seco (clic).

CARGA DEL PAQUETE DE BATERÍAS (BDGL1440, BDGL1800) FIGURA D

EL PAQUETE DE BATERÍAS NO SALE DE FÁBRICA COMPLETAMENTE CARGADO. ANTES DE INTENTAR CARGAR EL PAQUETE DE BATERÍAS, LEA ATENTAMENTE TODAS LAS INSTRUCCIONES DE SEGURIDAD.

El cargador está diseñado para utilizar la energía eléctrica doméstica estándar, 120 voltios, 60 Hz.

1. Enchufe el cargador (9) en cualquier tomacorriente eléctrico estándar de 120 voltios, 60 Hz. **NOTA: No cargue con un generador o un suministro de energía de corriente continua (CC). Utilice únicamente corriente alterna de 120 voltios.**
2. Deslice el cargador sobre el paquete de baterías (8), como se muestra en la **Figura D**, y deje que la batería se cargue la primera vez durante **9 horas**. Después de la carga inicial, en condiciones normales de uso, su batería debería cargarse entre **3 y 9 horas**.
3. Desenchufe el cargador, y retire el paquete de baterías. **Coloque el paquete de baterías en la herramienta y asegúrese de que esté completamente insertado en la cavidad de la herramienta hasta que produzca un sonido seco (clic).**

NOTA: Para retirar el paquete de baterías del taladro, presione el botón de liberación (12) en la parte posterior del paquete (**Figura E**) y deslícelo.

NOTAS IMPORTANTES SOBRE LA CARGA

1. Después de un uso normal, el paquete de baterías debería quedar completamente cargado en 3 a 9 horas. Si el paquete de baterías está completamente agotado, puede tomar hasta 9 horas para quedar completamente cargado. Su paquete de baterías salió de fábrica sin estar completamente cargado. Antes de intentar utilizarlo, se debe cargar al menos durante 9 horas.
2. NO cargue el paquete de baterías si la temperatura es inferior a 4,5 °C (40 °F) o superior a 40,5 °C (105 °F). Esto es importante y evitará daños serios a la batería. Se pueden obtener la mayor duración y el mejor rendimiento si el paquete de baterías se carga cuando la temperatura está en unos 24 °C (75 °F).
3. Durante la carga, el cargador puede zumbir y ponerse caliente al tacto. Esta condición es normal y no indica un problema.
4. Si el paquete de baterías no se carga correctamente: (1) Controle la corriente del tomacorriente enchufando una lámpara u otro artefacto. (2) Verifique si el tomacorriente está conectado a un interruptor que corta la energía cuando usted apaga la luz. (3) Lleve el cargador y el paquete a un ambiente con una temperatura de 4,5° (40 °F) a 40,5 °C (105 °F). (4) Si el tomacorriente y la temperatura están bien, y usted no consigue una carga correcta, lleve o envíe el paquete de baterías y el cargador a su centro de mantenimiento Black & Decker local. Consulte "Herramientas eléctricas" en las páginas amarillas.
5. Se debe recargar el paquete de baterías cuando no produce energía suficiente para tareas que previamente realizaba con facilidad. NO CONTINUE utilizando el producto con el paquete de baterías agotado.
6. Para prolongar la vida de la batería, evite dejarla cargando durante períodos prolongados (más de 30 días sin uso). Aunque sobrecargarla no es una cuestión de seguridad, puede reducir significativamente la duración total de la batería.
7. El paquete de baterías alcanzará su rendimiento óptimo luego de pasar 5 ciclos durante un uso normal. No hay necesidad de agotar las baterías completamente antes de recargarlas. El uso normal es el mejor método de descargar y recargar las baterías.

INSTRUCCIONES Y ADVERTENCIAS DE SEGURIDAD: TALADROS

1. Sostenga el taladro con firmeza, con una mano en el agarre y la otra en la parte inferior del paquete de baterías.
2. Cuando acople accesorios en el portabrocas, ajuste manualmente y con firmeza el portabrocas sin llave.

⚠ ADVERTENCIA: El taladro se puede atascar (si se sobrecarga o se usa inadecuadamente) y provocar una torsión. Siempre espere el atascamiento. Sujete el taladro con firmeza con ambas manos para controlar la torsión y evitar la pérdida de control que podría ocasionar lesiones personales. En caso de atascamiento, suelte el gatillo inmediatamente y determine la causa antes de encender la herramienta nuevamente.

INSTRUCCIONES DE OPERACION

INTERRUPTOR DISPARADOR Y BOTÓN DE INVERSIÓN (FIGURA F)

- El taladro se ENCIENDE y APAGA tirando y liberando el interruptor disparador (1). Cuanto más se oprima al disparador, mayor será la velocidad del taladro.
- El botón de control de avance/reversa (2) determina la dirección de la herramienta y también sirve como botón de bloqueo.
- Para seleccionar la rotación de avance, libere el interruptor disparador y oprima el botón de control de avance y retroceso.
- Para seleccionar retroceso, oprima el botón de control avance y retroceso en la dirección opuesta.

NOTA: La posición del centro del botón de control bloquea la herramienta en la posición de apagado. Al cambiar la posición del botón de control, asegúrese de que el disparador esté liberado.

ENGRANAJE DE DOBLE ALCANCE (FIGURA G) (BDGL1800 SOLAMENTE)

La función de doble alcance del modelo BDGL1800 le permite cambiar los engranajes para mayor versatilidad.

- Para seleccionar la velocidad más baja, aumente la configuración de la torsión (posición 1), apague la herramienta y permita que se detenga. Deslice el botón cambiador de engranajes (13) hacia adelante, en dirección al portabrocas.
- Para seleccionar la velocidad más alta, disminuya la configuración de la torsión (posición 2), apague la herramienta y permita que se detenga. Deslice el botón cambiador de engranajes (13) hacia atrás (lejos del portabrocas). **NOTA:** No haga cambio de engranajes cuando la herramienta está funcionando. En caso de problemas al cambiar los engranajes, asegúrese de que el botón cambiador de engranajes esté completamente hacia adelante o completamente hacia atrás.

CONTROL DE TORSI N (FIGURA H)

Esta herramienta viene equipada con un anillo (3) para seleccionar el modo de operación y para ajustar la torsión de los tornillos tensores. Los tornillos grandes y las piezas de trabajo de material duro requieren un ajuste de torsión mayor que los tornillos pequeños y las piezas de trabajo de material blando.

- Para taladrar en madera, metal y plástico, ajuste el anillo en la posición del símbolo de taladrado.
- Para atornillar, ajuste el anillo en la configuración deseada. Si aún no conoce la configuración de ajuste adecuada, proceda como sigue:
- Ajuste el anillo en la configuración de torsión más baja.
- Ajuste el primer tornillo.
- Si el portabrocas aumenta por segmentos antes de lograr el resultado deseado, aumente la configuración del anillo y siga ajustando el tornillo. Repita el proceso hasta que logre la configuración deseada. Utilice esta configuración para los tornillos restantes.

PORTABROCAS SIN LLAVE (FIGURA I)

Para insertar una broca u otro accesorio:

1. Tome la mitad posterior del portabrocas (4) con una mano y use la otra mano para girar la mitad de frente en dirección contraria a las agujas del reloj, vista desde el extremo del portabrocas.
2. Inserte por completo la broca u otro accesorio en el portabrocas y ajuste para asegurar, sosteniendo la mitad posterior del portabrocas y girando la porción de frente en la dirección de las agujas del reloj, vista desde el extremo del portabrocas.

⚠ ADVERTENCIA: No tome la parte delantera del portabrocas y encienda la herramienta para ajustar las brocas (o cualquier otro accesorio). Cuando se cambian los accesorios, se pueden provocar daños al portabrocas y daños personales.

USO DEL L SER

Su taladro está equipado con un láser que se enciende y apaga independientemente de la herramienta.

⚠ ADVERTENCIA: Nunca apunte el rayo a una pieza de trabajo que tenga una superficie reflectante. Se recomienda no usar el láser con láminas de acero brillantes y reflectantes u otras superficies reflectantes similares. Las superficies reflectantes pueden dirigir el rayo hacia el operador.

⚠ PRECAUCIÓN : RADIACION L SER. EVITE LA EXPOSICION DIRECTA DE LOS OJOS. No mire hacia la fuente de luz láser. Nunca apunte la luz hacia otra persona u objeto que no sea el trabajo. La luz láser puede dañar los ojos.

⚠ ADVERTENCIA: NO utilice anteojos coloreados para aumentar la luz láser. Los anteojos coloreados reducen la visión total para el uso e interfieren con la operación normal de la herramienta.

ENCENDIDO Y APAGADO DEL L SER (FIGURA J)

- Para encender el láser, deslice el botón de encendido/apagado del láser (6) a la posición (1).
- Para apagar el láser, deslice el botón de encendido/apagado del láser (6) a la posición (0).

CONFIGURACION DE LA DIRECCION DEL RAYO (FIGURA K)

El rayo del láser se puede configurar para aplicaciones de nivelación vertical y horizontal.

- Para cambiar la proyección de la línea del láser, mueva el actuador para la dirección del láser (7) en la dirección de proyección deseada.

NOTA: El láser no funcionará si el taladro está invertido.

USO DE LA FUNCIÓN NIVELADORA DEL LÁSER (EN SENTIDO HORIZONTAL HACIA LA IZQUIERDA - FIGURA L)

- Coloque la herramienta en posición plana contra la pared como se muestra.
- Deslice el interruptor de encendido/apagado del láser (6) a la posición I para ENCENDER el láser.
- Mueva el actuador para la dirección del láser (7 en la Figura K) hasta el extremo final izquierdo. El láser se proyectará horizontalmente hacia la izquierda desde su abertura (5 en la Figura B).
- Mueva la herramienta según necesite para posicionar la línea del láser.

NOTA: Las líneas del láser sólo se alinearán si la herramienta se mantiene dentro de los 5 grados en relación al eje vertical.

- Deslice el interruptor de encendido/apagado del láser (6) a la posición 0 para APAGAR el láser.

NOTA: El láser no funcionará si el taladro está invertido.

USO DE LA FUNCIÓN NIVELADORA DEL LÁSER (EN SENTIDO VERTICAL - FIGURA M)

- Coloque la herramienta en posición plana contra la pared como se muestra.
- Deslice el interruptor de encendido/apagado del láser (6) a la posición I para ENCENDER el láser.
- Mueva el actuador para la dirección del láser (7 en la Figura K) a la posición central. El láser se proyectará verticalmente desde su abertura (5 en la Figura B).
- Mueva la herramienta según necesite para posicionar la línea del láser.

NOTA: Las líneas del láser sólo se alinearán si la herramienta se mantiene dentro de los 5 grados en relación al eje vertical.

- Deslice el interruptor de encendido/apagado del láser (6) a la posición 0 para APAGAR el láser.

NOTA: El láser no funcionará si el taladro está invertido.

USO DE LA FUNCIÓN NIVELADORA DEL LÁSER (EN SENTIDO HORIZONTAL HACIA LA DERECHA - FIGURA N)

- Coloque la herramienta en posición plana contra la pared como se muestra.
- Deslice el interruptor de encendido/apagado del láser (6) a la posición I para ENCENDER el láser.
- Mueva el actuador para la dirección del láser (7 en la Figura K) hasta el extremo final derecho. El láser se proyectará horizontalmente hacia la derecha desde su abertura (5 en la Figura B).
- Mueva la herramienta según necesite para posicionar la línea del láser.

NOTA: Las líneas del láser sólo se alinearán si la herramienta se mantiene dentro de los 5 grados en relación al eje vertical.

- Deslice el interruptor de encendido/apagado del láser (6) a la posición 0 para APAGAR el láser.

NOTA: El láser no funcionará si el taladro está invertido.

DESTORNILLADO

Para impulsar remaches, el botón de inversión debe estar empujado hacia la izquierda. Use la inversa (botón empujado hacia la derecha) para retirar remaches. Al cambiar de avance a retroceso, o viceversa, siempre libere el interruptor disparador primero.

ESPACIO EN LA HERRAMIENTA PARA GUARDAR BROCAS

Hay una ranura para guardar brocas en el área que está justo por encima del paquete de baterías.

TALADRADO

- Use solamente brocas para taladro afiladas.
- Sostenga y asegure el trabajo adecuadamente, según se indica en las instrucciones de seguridad.
- Utilice equipos de seguridad adecuados y necesarios, como se indica en las instrucciones de seguridad.
- Asegure y mantenga el área de trabajo, según se indica en las instrucciones de seguridad.
- Haga funcionar el taladro muy lentamente, con poca presión, hasta que el orificio producido sea tal que contenga la broca y evite que se deslice del mismo.
- Aplique presión en línea recta con la broca. Utilice presión suficiente para mantener la broca funcionando, pero no tanto como para ahogar el motor o ladear la broca.
- **Sostenga firmemente el taladro con las dos manos para controlar la torsión.**
- **SI EL TALADRO SE ATASCÓ, NO INSISTA EN MOVER EL DISPARADOR DE ENCENDIDO Y APAGADO DEL TALADRO. ESTO PODRÍA DAÑAR EL TALADRO.**
- Para minimizar las posibilidades de atascamiento durante una perforación, disminuya la presión y taladre lentamente hasta la última parte del orificio.
- Mantenga el motor en funcionamiento mientras retira la broca de un orificio taladrado. Esto ayudará a reducir atascamientos.
- **Asegúrese de que el interruptor encienda y apague el taladro.**

DETECCIÓN DE PROBLEMAS

Problema

Causa posible

Solución posible

- La unidad no enciende.

- El paquete de baterías no está bien instalado.
- El paquete de baterías no está cargado.

- Controle la instalación del paquete de baterías.
- Verifique los requisitos de carga del paquete de baterías.

- El paquete de baterías no carga.

- El paquete de baterías no está insertado en el cargador.

- Inserte el paquete de baterías en el cargador hasta que se encienda la luz roja (LED).

- El cargador no está enchufado.

- Enchufe el cargador en un tomacorriente que funcione. Consulte "Notas importantes sobre la carga" para conocer más detalles.

- La temperatura ambiental está demasiado caliente o demasiado fría.

- Traslade el cargador y el paquete de baterías a una temperatura ambiental que esté por encima de 4,5 °C (40 °F) o por debajo de 40,5 °C (105 °F).

Para conocer la ubicación del centro de mantenimiento más cercano a fin de recibir ayuda con su producto, visite nuestro sitio Web www.blackanddecker.com o llame a la línea de ayuda BLACK & DECKER al (55)5326-7100.

MANTENIMIENTO

Utilice únicamente jabón suave y un trapo húmedo para limpiar la herramienta. Nunca permita que se introduzcan líquidos en la herramienta; nunca sumerja ninguna parte de la herramienta en ningún líquido. **IMPORTANTE:** Para garantizar la SEGURIDAD y la CONFIABILIDAD del producto, la reparaciones, el mantenimiento y los ajustes deberán efectuarse en centros de servicio autorizado u otras organizaciones de servicio calificado, que utilicen siempre refacciones idénticas.

ACCESORIOS

Los accesorios recomendados para emplearse con su herramienta, están a su disposición con el distribuidor o centro de servicio autorizado de su localidad. Si necesita ayuda en relación con los accesorios, por favor llame: **(55)5326-7100**

⚠️ ADVERTENCIA: El uso de cualquier accesorio no recomendado para emplearse con esta herramienta puede ser peligroso.



EL SELLO RBRC™

El sello RBRC™ en las baterías de níquel-cadmio indica que Black & Decker participa voluntariamente en un programa industrial para recolectar y reciclar estas baterías al término de su vida útil, cuando se retiran de servicio dentro de los Estados Unidos. El programa RBRC™ proporciona una conveniente alternativa para el depósito en los lotes de basura municipales de las baterías de níquel-cadmio desgastadas, hecho que es ilegal en algunas regiones. Los pagos de Black & Decker a RBRC™ hacen más sencillo para usted deshacerse de sus baterías desgastadas con los distribuidores de baterías de níquel-cadmio de su localidad, o en los centros de servicio autorizado Black & Decker. También puede comunicarse al centro de reciclaje de su localidad para que le informen de los lugares a los que puede regresar las baterías desgastadas. La entrada de Black & Decker a este programa es parte de su compromiso para proteger nuestro medio ambiente y conservar los recursos naturales.

INFORMACIÓN DE MANTENIMIENTO

Todos los Centros de mantenimiento de Black & Decker cuentan con personal altamente capacitado dispuesto a brindar a todos los clientes un servicio eficiente y confiable en la reparación de herramientas eléctricas. Si necesita consejo técnico, reparaciones o piezas de repuesto originales de fábrica, póngase en contacto con el centro de mantenimiento de Black & Decker más cercano a su domicilio. Para ubicar su centro de servicio local, consulte la sección "Herramientas eléctricas" (Tools-Electric) de las páginas amarillas, llame al **(55)5326-7100** o visite nuestro sitio **www.blackanddecker.com**.

GARANTÍA COMPLETA DE DOS AÑOS PARA USO EN EL HOGAR

Black & Decker (Estados Unidos) Inc. ofrece una garantía de dos años por cualquier defecto del material o de fabricación de este producto. El producto defectuoso se reparará o reemplazará sin costo alguno de dos maneras.

La primera opción, el reemplazo, es devolver el producto al comercio donde se lo adquirió (siempre y cuando se trate de un comercio participante). Las devoluciones deben realizarse conforme a la política de devolución del comercio (generalmente, entre 30 y 90 días posteriores a la venta). Le pueden solicitar comprobante de compra. Consulte en el comercio acerca de la política especial sobre devoluciones una vez excedido el plazo establecido.

La segunda opción es llevar o enviar el producto (con flete pago) a un Centro de mantenimiento propio o autorizado de Black & Decker para su reparación o reemplazo según nuestro criterio. Le pueden solicitar el comprobante de compra. Los Centros de mantenimiento autorizados y de propiedad de Black & Decker se detallan en la sección "Herramientas eléctricas" (Tools-Electric) de las páginas amarillas de la guía telefónica. Esta garantía no se extiende a los accesorios. Esta garantía le concede derechos legales específicos; usted puede tener otros derechos que pueden variar según el estado o la provincia. Si tiene alguna pregunta, comuníquese con el gerente del Centro de mantenimiento de Black & Decker de su zona. Este producto no está diseñado para uso comercial.

REEMPLAZO GRATUITO DE LAS ETIQUETAS DE ADVERTENCIAS: si sus etiquetas de advertencia se tornan ilegibles o faltan, llame al **(55)5326-7100** para que se le reemplacen gratuitamente.

Para reparación y servicio de sus herramientas eléctricas, favor de dirigirse al Centro de Servicio más cercano:

CULIACAN, SIN

Av. Nicolás Bravo #1063 Sur
(667) 7 12 42 11
Col. Industrial Bravo

GUADALAJARA, JAL

Av. La Paz #1779
(33) 3825 6978
Col. Americana Sector Juarez

MEXICO, D.F.

Eje Central Lázaro Cardenas
No. 18
(55) 5588 9377
Local D, Col. Obrera

MERIDA, YUC

Calle 63 #459-A
(999) 928 5038
Col. Centro

MONTERREY, N.L.

Av. Francisco I. Madero
No.831
(81) 8375 2313
Col. Centro

PUEBLA, PUE

17 Norte #205
(222) 246 3714
Col. Centro

QUERETARO, QRO

Av. Madero 139 Pte.
(442) 214 1660
Col. Centro

SAN LUIS POTOSI, SLP

Av. Universidad 1525
(444) 814 2383
Col. San Luis

TORREON, COAH

Bvd. Independencia, 96 Pte.
(871) 716 5265
Col. Centro

VERACRUZ, VER

Prolongación Díaz Mirón #4280
(229)921 7016
Col. Remes

VILLAHERMOSA, TAB

Constitución 516-A
(993) 312 5111
Col. Centro

PARA OTRAS LOCALIDADES LLAME AL: (55) 5326 7100

Vea "Herramientas eléctricas (Tools-Electric)"
– Páginas amarillas –
para Servicio y ventas



BLACK & DECKER S.A. DE C.V.
BOSQUES DE CIDROS ACCESO RADIATAS NO. 42
COL. BOSQUES DE LAS LOMAS.
05120 MÉXICO, D.F.
TEL. 55-5326-7100

ESPECIFICACIONES TÉCNICAS DEL LÁSER:

Longitud de ondas de diodo del láser:

633 a 670 nm (color rojo)

Clase de láser:

Clase II

Precisión:

+/- 3,0 mm (1/8") a 3 m (10')

Temperatura de funcionamiento:

10 °C (50 °F) a 40 °C (104 °F)

ESPECIFICACIONES

Cargador: 120 V, 60Hz, Salida: 15,3 V DC 210mA

Cargador: 120 V, 60Hz, Salida: 17,4 V DC 210mA

Cargador: 120 V, 60Hz, Salida: 21,75 V DC 210mA

Free Manuals Download Website

<http://myh66.com>

<http://usermanuals.us>

<http://www.somanuals.com>

<http://www.4manuals.cc>

<http://www.manual-lib.com>

<http://www.404manual.com>

<http://www.luxmanual.com>

<http://aubethermostatmanual.com>

Golf course search by state

<http://golfingnear.com>

Email search by domain

<http://emailbydomain.com>

Auto manuals search

<http://auto.somanuals.com>

TV manuals search

<http://tv.somanuals.com>