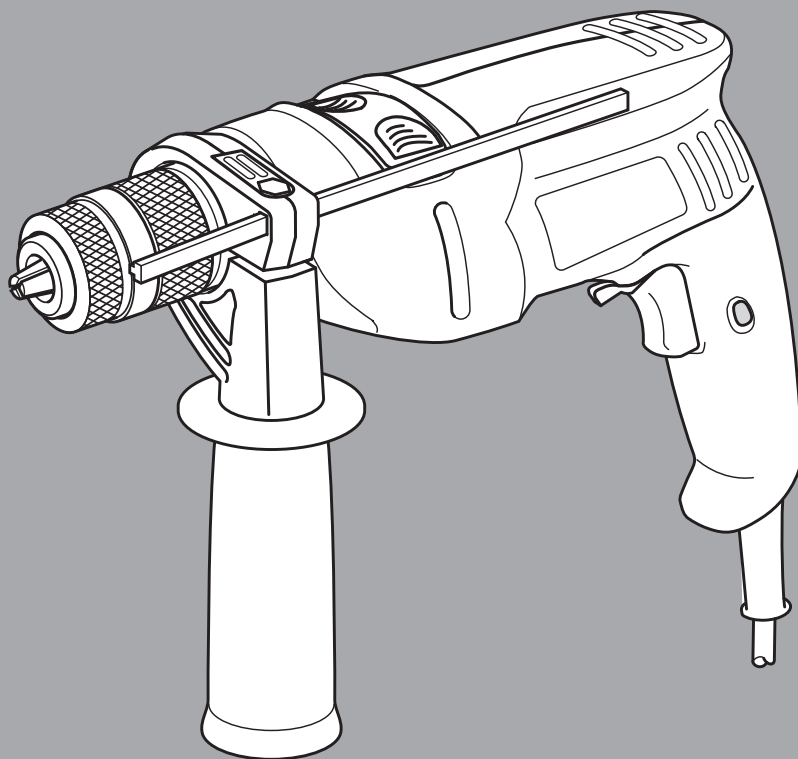
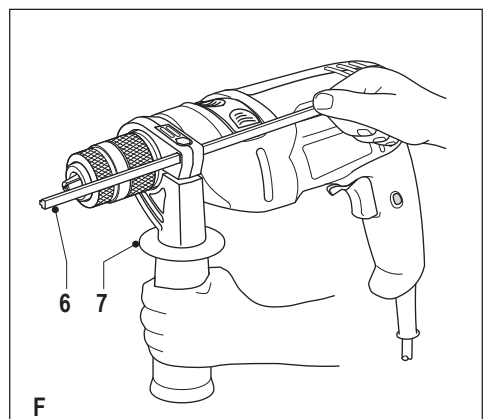
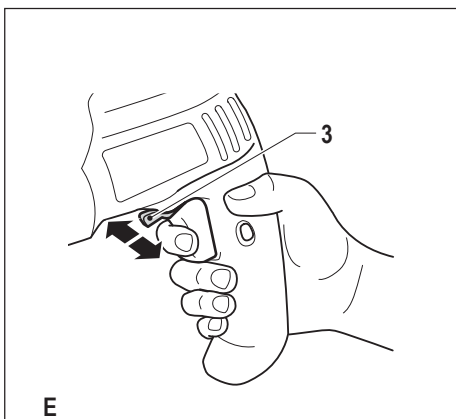
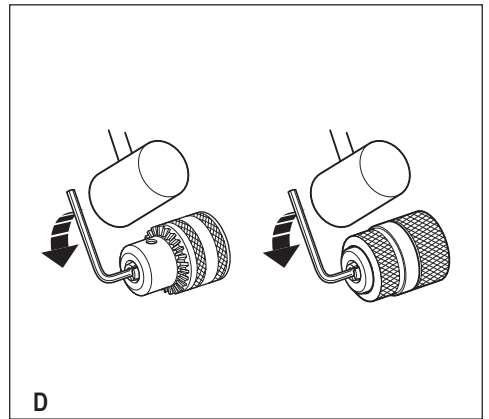
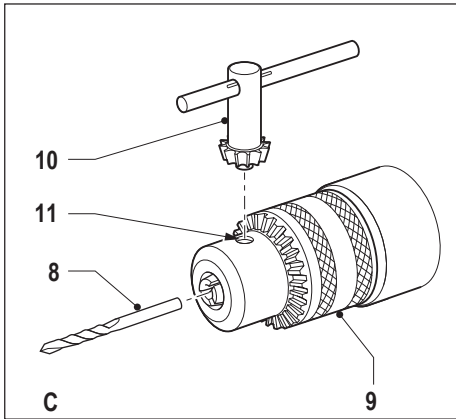
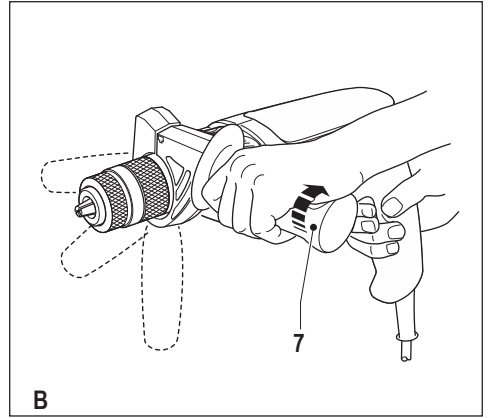
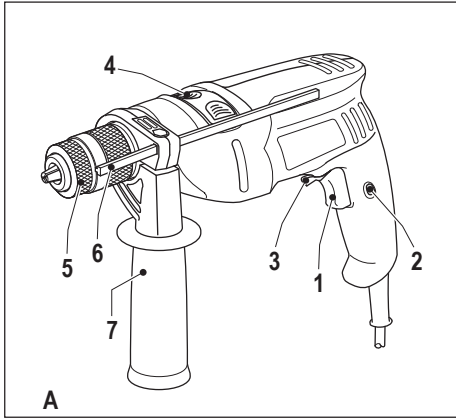


 **BLACK & DECKER®**



HD4810/HD5010
HD5010A5/HD5010KHA7/
HD5010VA5/ HD5513KA40/
HD5513KHA/HD5513V

www.blackanddecker.ae



The illustrations are for representative purposes only, they can differ from actual product.

Intended use

Your Black & Decker drill has been designed for drilling in wood, metal and plastics and masonry. This tool is intended for consumer use only.

Safety instructions

General power tool safety warnings.



Warning! Read all safety warnings and all instructions. Failure to follow the warnings and instructions listed below may result in electric shock, fire and/or serious injury.

Save all warnings and instructions for future reference.

The term "power tool" in all of the warnings listed below refers to your mains operated (corded) power tool or battery operated (cordless) power tool.

1. Work Area Safety

- a. Keep work area clean and well lit. Cluttered and dark areas invite accidents.
- b. Do not operate power tools in explosive atmospheres, such as in the presence of flammable liquids, gases or dust. Power tools create sparks which may ignite the dust or fumes.
- c. Keep children and bystanders away while operating a power tool. Distractions can cause you to lose control.

2. Electrical Safety

- a. Power tool plugs must match the outlet. Never modify the plug in any way. Do not use any adapter plugs with earthed (grounded) power tools. Unmodified plugs and matching outlets will reduce risk of electric shock.
- b. Avoid body contact with earthed or grounded surfaces such as pipes, radiators, ranges and refrigerators. There is an increased risk of electric shock if your body is earthed or grounded.
- c. Do not expose power tools to rain or wet conditions. Water entering a power tool will increase the risk of electric shock.
- d. Do not abuse the cord. Never use the cord for carrying, pulling or unplugging the power tool. Keep cord away from heat, oil, sharp edges or moving parts. Damaged or entangled cords increase the risk of electric shock.
- e. When operating a power tool outdoors, use an extension

cord suitable for outdoor use. Use of a cord suitable for outdoor use reduces the risk of electric shock.

- f. If operating a power tool in a damp location is unavoidable, use a residual current device (RCD) protected supply. Use of an RCD reduces the risk of electric shock.

3. Personal Safety

- a. Stay alert, watch what you are doing and use common sense when operating a power tool. Do not use a power tool while you are tired or under the influence of drugs, alcohol or medication. A moment of inattention while operating power tools may result in serious personal injury.
 - b. Use personal protective equipment. Always wear eye protection. Protective equipment such as dust mask, non-skid safety shoes, hard hat, or hearing protection used for appropriate conditions will reduce personal injuries.
 - c. Prevent unintentional starting. Ensure the switch is in the off-position before connecting to power source and/or battery pack, picking up or carrying the tool. Carrying power tools with your finger on the switch or energising power tools that have the switch on invites accidents.
 - d. Remove any adjusting key or wrench before turning the power tool on. A wrench or a key left attached to a rotating part of the power tool may result in personal injury.
 - e. Do not overreach. Keep proper footing and balance at all times. This enables better control of the power tool in unexpected situations.
 - f. Dress properly. Do not wear loose clothing or jewellery. Keep your hair, clothing and gloves away from moving parts. Loose clothes, jewellery or long hair can be caught in moving parts.
 - g. If devices are provided for the connection of dust extraction and collection facilities, ensure these are connected and properly used. Use of these devices can reduce dust related hazards.
- #### 4. Power Tool Use and Care
- a. Do not force the power tool. Use the correct power tool for your application. The correct power tool will do the job better and safer at the rate for which it was designed.
 - b. Do not use the power tool if the switch does not turn it on and off. Any power tool that cannot be controlled with the switch is dangerous and must be repaired.

- c. Disconnect the plug from the power source and/or the battery pack from the power tool before making any adjustments, changing accessories, or storing power tools. Such preventive safety measures reduce the risk of starting the power tool accidentally.
- d. Store idle power tools out of the reach of children and do not allow persons unfamiliar with the power tool or these instructions to operate the power tool. Power tools are dangerous in the hands of untrained users.
- e. Maintain power tools. Check for misalignment or binding of moving parts, breakage of parts and any other condition that may affect the power tools operation. If damaged, have the power tool repaired before use. Many accidents are caused by poorly maintained power tools.
- f. Keep cutting tools sharp and clean. Properly maintained cutting tools with sharp cutting edges are less likely to bind and are easier to control.

5. Service

- a. Have your power tool serviced by a qualified repair person using only identical replacement parts. This will ensure that the safety of the power tool is maintained.

Additional power tool safety warnings









- Wear ear protectors with impact drills. Exposure to noise can cause hearing loss.
- Use auxiliary handles supplied with the tool. Loss of control can cause personal injury.
- Hold power tool by insulated gripping surfaces when performing an operation where the cutting tool may contact hidden wiring or its own cord. Contact with a "live" wire will also make exposed metal parts of the power tool "live" and shock the operator.
- Use clamps or another practical way to secure and support the workpiece to a stable platform. Holding the work by hand or against your body leaves it unstable and may lead to loss of control.
- Before drilling into walls, floors or ceilings check for the location of wiring and pipes.
- Avoid touching the tip of a drill bit just after drilling, as it may be hot

Safety of others


- This tool is not intended for use by persons (including children) with reduced physical, sensory or mental capabilities, or lack of experience and knowledge, unless they have been given supervision or instruction concerning use of the appliance by a person responsible for their safety.
- Children should be supervised to ensure that they do not play with the appliance.

6. Labels on tool

The label on your tool may include the following symbols:

	Read Instructions Manual	Hz Hertz		Class II Construction
	Use Eye Protection	W Watts		Earthing Terminal
	Use Ear Protection	min minutes		Safety Alert Symbol
V Volts			.../min..	Revolutions or Reciprocation per minute
A Amperes				
		n_0 No-Load Speed		

Electrical safety

 This tool is double insulated; therefore no earth wire is required. Always check that the power supply corresponds to the voltage on the rating plate.

- If the supply cord is damaged, it must be replaced by the manufacturer or an authorised Black & Decker Service Centre in order to avoid a hazard.

Features (Fig. A)

1. Variable speed switch
(Only for HD5010VA5, HD5513V, HD5513KA40, HD5513KHA)
2. Lock-on button
3. Forward/ reverse slider, Depth stop & Side handle
(Only for HD5513V, HD5513KHA, KHA40V)

4. Drilling mode selector
5. Chuck

Assembly



Warning! Before assembly, make sure that the tool is switched off and unplugged.

Fitting the side handle and depth stop (fig. B) (Only for HD5513V, HD5513KA40, HD5513KHA)

- Turn the grip counterclockwise until you can slide the side handle (7) onto the front of the tool as shown.
- Rotate the side handle into the desired position.
- Insert the depth stop (6) into the mounting hole as shown.
- Set the drilling depth as described below.
- Tighten the side handle by turning the grip clockwise.

Fitting a drill bit or screwdriver bit Keyed chuck (fig. C)

- Open the chuck by turning the sleeve (9) counterclockwise.
- Insert the bit shaft (8) into the chuck.
- Insert the chuck key (10) into each hole (11) in the side of the chuck and turn clockwise until tight.

Removing and refitting the chuck (fig. D)

- Open the chuck as far as possible.
- Remove the chuck retaining screw, located in the chuck, by turning it clockwise using a screwdriver.
- Tighten an Allen key into the chuck and strike it with a hammer as shown.
- Remove the Allen key.
- Remove the chuck by turning it counterclockwise.
- To refit the chuck, screw it onto the spindle and secure it with the chuck retaining screw

Use



Warning! Let the tool work at its own pace. Do not overload.



Warning! Before drilling into walls, floors or ceilings, check for the location of wiring and pipes.

Selecting the direction of rotation (fig. E)

For drilling and for tightening screws, use forward (clockwise) rotation. For loosening screws or removing a jammed drill bit, use reverse (counterclockwise) rotation.

- To select forward rotation, push the forward/reverse slider (3) to the centre position.
- To select reverse rotation, push the forward/reverse slider to the left.

Warning! Never change the direction of rotation while the motor is running.

Selecting the drilling mode

- For drilling in masonry, set the drilling mode selector (3) to the **T** position.
- For drilling in other materials and for screwdriving, set the drilling mode selector to the **2** position.

Setting the drilling depth (fig. F) (Only for HD5513V, HD5513KA40, HD5513KHA)

- Slacken the side handle (7) by turning the grip counterclockwise.
- Set the depth stop (6) to the desired position. The maximum drilling depth is equal to the distance between the tip of the drill bit and the front end of the depth stop.
- Tighten the side handle by turning the grip clockwise.

Switching on and off

- To switch the tool on, press the speed switch (1). For tools with variable speed switch, the tool speed depends on how far you press the switch. As a general rule, use low speeds for large diameter drill bits and high speeds for smaller diameter drill bits. (HD5010VA5, HD5513V, HD5513KA40, HD5513KHA)

- For continuous operation, press the lock-on button (2) and release the speed switch. This option is available only at full speed. This option does not work in reverse rotation.
- To switch the tool off, release the speed switch. To switch the tool off when in continuous operation, press the speed switch once more and release it.

Accessories

The performance of your tool depends on the accessory used. Black & Decker accessories are engineered to high quality standards and designed to enhance the performance of your tool. By using these accessories you will get the very best from your tool.

Maintenance

Your tool has been designed to operate over a long period of time with a minimum of maintenance. Continuous satisfactory operation depends upon proper tool care and regular cleaning.



Warning! Before performing any maintenance, switch off and unplug the tool.

- Regularly clean the ventilation slots in your tool using a soft brush or dry cloth.
- Regularly clean the motor housing using a damp cloth. Do not use any abrasive or solvent-based cleaner.

Mains plug replacement

If a new mains plug needs to be fitted:

- Safely dispose of the old plug.
- Connect the brown lead to the live terminal in the new plug.
- Connect the blue lead to the neutral terminal.

Warning! No connection is to be made to the earth terminal. Follow the fitting instructions supplied with good quality plugs. Recommended fuse: 5 A.

Technical data

		HD4810	HD5010 / HD5010A5
Voltage	V_{DC}	220-240V ~ 50/60Hz	220-240V ~ 50/60Hz
Power input	W	480	500
No load speed	min^{-1}	3000	3000
Max drill capacity			
Steel/Concrete	mm	10	10
Wood	mm	20	20

		HD5010KHA7	HD5010VA5
Voltage	VDC	220-240V ~ 50/60Hz	220-240V ~ 50/60Hz
Power input	W	500	500
No load speed	min^{-1}	2800	0-2800
Max drill capacity			
Steel/Concrete	mm	10	10
Wood	mm	20	20

		HD5513V / HD5513KHA HD5513KA40	
Voltage	V_{DC}	220-240V ~ 50/60Hz	
Power input	W	550	
No load speed	min^{-1}	0-2800	
Max drill capacity			
Steel/Concrete	mm	10	
Wood	mm	20	

Protecting the environment



Separate collection. This product must not be disposed of with normal household waste.

Should you find one day that your Black & Decker product needs replacement, or if it is of no further use to you, do not dispose of it with household waste. Make this product available for separate collection.



Separate collection of used products and packaging allows materials to be recycled and used again. Reuse of recycled materials helps prevent environmental pollution and reduces the demand for raw materials.

Local regulations may provide for separate collection of electrical products from the household, at municipal waste sites or by the retailer when you purchase a new product.

Black & Decker provides a facility for the collection and recycling of Black & Decker products once they have reached the end of their working life. To take advantage of this service please return your product to any authorised repair agent who will collect them on our behalf.

You can check the location of your nearest authorised repair agent by contacting your local Black & Decker office at the address indicated in this manual. Alternatively, a list of authorised Black & Decker repair agents and full details of our after-sales service and contacts are available on the Internet at: www.2helpU.com.

Guarantee

Black & Decker is confident of the quality of its products and offers an outstanding guarantee. This guarantee statement is in addition to and in no way prejudices your statutory rights. The guarantee is valid within the territories of the Member States of the European Union and the European Free Trade Area.

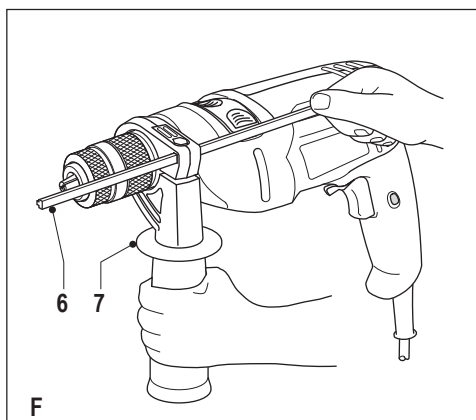
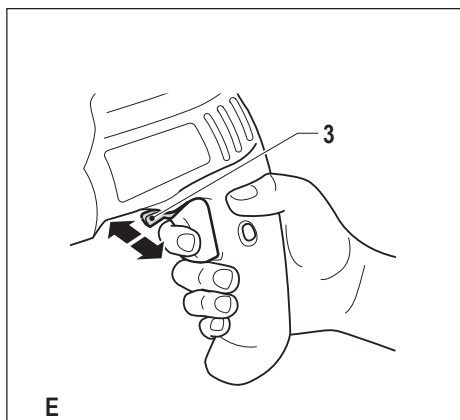
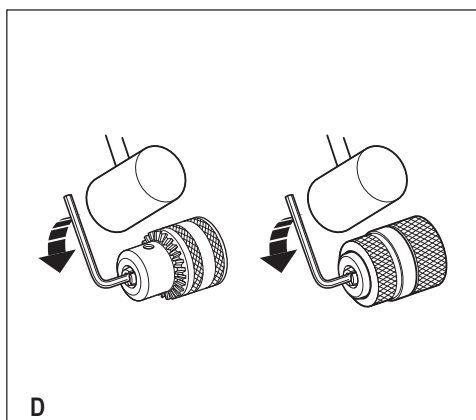
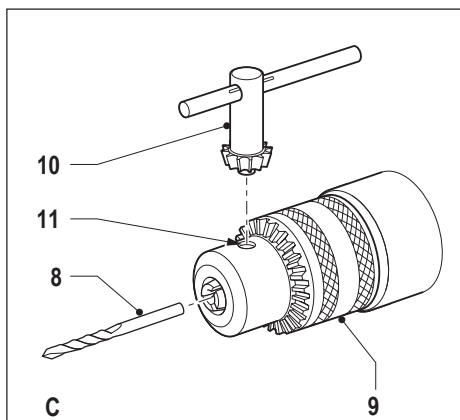
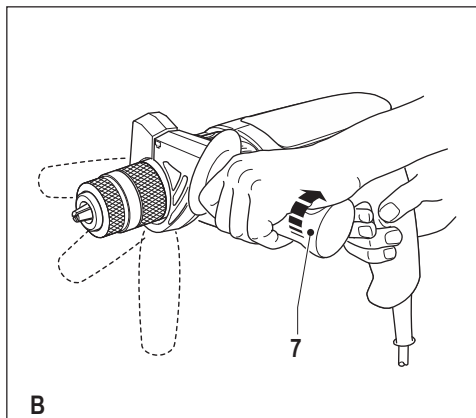
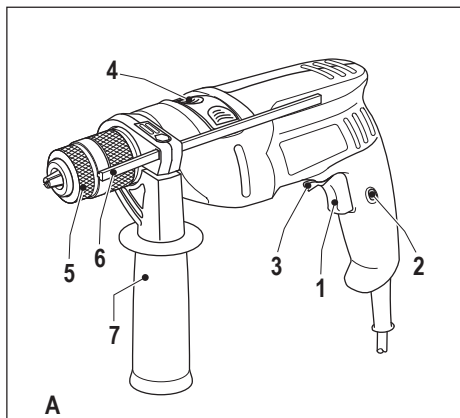
If a Black & Decker product becomes defective due to faulty materials, workmanship or lack of conformity, within 24 months from the date of purchase, Black & Decker guarantees to replace defective parts, repair products subjected to fair wear and tear or replace such products to make sure of the minimum inconvenience to the customer unless:

- The product has been used for trade, professional or hire purposes.
- The product has been subjected to misuse or neglect.
- The product has sustained damage through foreign objects, substances or accidents.
- Repairs have been attempted by persons other than authorised repair agents or Black & Decker service staff.

To claim on the guarantee, you will need to submit proof of purchase to the seller or an authorised repair agent. You can check the location of your nearest authorised repair agent by contacting your local Black & Decker office at the address indicated in this manual. Alternatively, a list of authorised Black & Decker repair agents and full details of our aftersales service and contacts are available on the Internet at:

www.2helpU.com

Please visit our website **www.blackanddecker.co.uk** to register your new Black & Decker product and to be kept up to date on new products and special offers. Further information on the Black & Decker brand and our range of products is available at **www.blackanddecker.co.uk**.



Les illustrations sont seulement données à titre indicatif et peuvent différer du produit réel.

Utilisation

Votre perceuse Black & Decker peut percer le bois, le métal, le plastique et la pierre. Cet outil a été conçu pour une utilisation exclusivement domestique.

Consignes de sécurité

Consignes de sécurité concernant les outils électroportatifs



Attention ! Lisez avec attention tous les avertissements et toutes les instructions. Le non-respect de cette consigne peut entraîner une électrocution, un incendie et/ou de graves blessures.

Conservez tous les avertissements et instructions pour référence ultérieure.

La notion d'« outil électroportatif » mentionnée par la suite se rapporte à des outils électriques raccordés au secteur (avec câble de raccordement) ou fonctionnant avec batterie (sans fil).

1. Sécurité de la zone de travail

- Maintenez la zone de travail propre et bien éclairée. Un lieu de travail en désordre ou mal éclairé augmente le risque d'accidents.
- N'utilisez pas les outils électroportatifs dans un environnement présentant des risques d'explosion, ni en présence de liquides, gaz ou poussières inflammables. Les outils électroportatifs génèrent des étincelles risquant d'enflammer les poussières ou les vapeurs.
- Pendant l'utilisation d'un outil électroportatif, les enfants et autres personnes doivent rester éloignés. En cas d'inattention, vous risquez de perdre le contrôle de l'outil.

2. Sécurité électrique

- La prise de l'outil électroportatif doit convenir à la prise de courant. Ne modifiez en aucun cas la prise. N'utilisez pas de prises d'adaptateur avec des outils ayant une prise de terre. Le respect de ces consignes réduit le risque de choc électrique.
- Évitez le contact physique avec des surfaces mises à la terre telles que tuyaux, radiateurs, fours et réfrigérateurs. Le risque de choc électrique augmente si votre corps est relié à la terre.
- N'exposez pas l'outil électroportatif à la pluie ni à l'humidité. La pénétration d'eau dans un outil électroportatif augmente le risque de choc électrique.
- Préservez le câble d'alimentation. N'utilisez pas le câble pour porter l'outil, pour accrocher ou encore pour le débrancher. Maintenez le câble éloigné des sources de chaleurs, des parties huilées, des bords tranchants ou des parties de l'outil en rotation. Le risque de choc électrique augmente si les câbles sont endommagés ou emmêlés.

- Si vous utilisez l'outil électroportatif à l'extérieur, utilisez une rallonge homologuée pour utilisation à l'air libre. L'utilisation d'une rallonge électrique homologuée pour les travaux à l'extérieur réduit le risque de choc électrique.
- Si l'outil doit être utilisé dans un endroit humide, prenez les précautions nécessaires en utilisant un dispositif à courant résiduel (RCD). L'utilisation d'un tel dispositif réduit les risques d'électrocution.

3. Sécurité personnelle

- Restez vigilant, surveillez ce que vous faites. Faites preuve de bon sens quand vous utilisez un outil électroportatif. N'utilisez pas l'outil lorsque vous êtes fatigué ou après avoir consommé de l'alcool ainsi que des médicaments. Un moment d'inattention lors de l'utilisation de l'outil peut entraîner de graves blessures.
- Portez un équipement de protection. Portez toujours des lunettes de protection. Selon le travail à effectuer, le port d'équipement de protection tels que masque anti-poussières, chaussures de sécurité antidérapantes, casque ou protection auditive, réduit le risque de blessures.
- Évitez un démarrage imprévu. L'outil doit être en position OFF (arrêt) avant d'effectuer le branchement à l'alimentation et/ou au bloc-batterie, de le ramasser ou de le porter. Ne laissez pas votre doigt sur le bouton de commande, ceci peut être à l'origine d'accidents.
- Retirez tout outil ou clé de réglage avant de mettre l'outil en marche. Une clé ou un outil se trouvant sur une partie en rotation peut causer des blessures.
- Adoptez une position confortable. Adoptez une position stable et gardez votre équilibre en permanence. Vous contrôlerez ainsi mieux l'outil dans des situations inattendues.
- Portez des vêtements appropriés. Ne pas porter de vêtements amples ou de bijoux. N'approchez pas les cheveux, vêtements ou gants des parties des pièces mobiles. Les vêtements amples, les bijoux ou les cheveux longs peuvent se prendre dans les pièces en mouvement.
- En cas d'utilisation d'appareils servant à aspirer ou à recueillir les poussières, assurez-vous qu'ils sont correctement raccordés et utilisés. L'utilisation de tels appareils permet de réduire les dangers liés aux poussières.

4. Utilisation des outils électroportatifs et précautions

- Respectez la capacité de l'outil. Utilisez l'outil électroportatif approprié pour le travail à effectuer. Avec un outil approprié, vous travaillerez mieux et en toute sécurité.
- N'utilisez pas un outil électroportatif dont le bouton marche/arrêt est défectueux. Un outil électroportatif qui ne peut plus être mis en marche ou arrêté est dangereux et doit être réparé.

- c. Retirez la prise de courant et/ou débranchez le bloc-batterie avant d'effectuer des réglages, de changer les accessoires ou de ranger l'outil. Cette mesure de précaution empêche de mettre l'outil en marche accidentellement.
- d. Rangez les outils électroportatifs hors de portée des enfants. Les personnes ne connaissant pas l'outil ou n'ayant pas lu ces instructions ne doivent en aucun cas l'utiliser. Les outils électroportatifs sont dangereux lorsqu'ils sont utilisés par des personnes non initiées.
- e. Prenez soin des outils électroportatifs. Vérifiez que les parties en mouvement fonctionnent correctement et qu'elles ne sont pas coincées. Vérifiez qu'il n'y a pas de pièces cassées ou endommagées susceptibles de nuire au bon fonctionnement de l'outil. S'il est endommagé, faites réparer l'outil avant de l'utiliser. De nombreux accidents sont la conséquence d'outils mal entretenus.
- f. Maintenez les outils de coupe aiguisés et propres. Des outils soigneusement entretenus avec des bords tranchants bien aiguisés se coincent moins souvent et peuvent être guidés plus facilement.

5. Réparations

- a. Faites réparer votre outil électroportatif uniquement par du personnel qualifié et seulement avec des pièces de rechange appropriées. La fiabilité de l'outil sera ainsi maintenue.

Consignes de sécurité supplémentaires concernant les outils électroportatifs








- Portez un serre-tête antibruit si vous utilisez une perceuse à percussion. L'exposition au bruit peut entraîner la perte de l'ouïe.
- Utilisez les poignées auxiliaires livrées avec l'outil. La perte de contrôle peut entraîner des blessures.
- Tenez l'outil au niveau des surfaces de prise isolées. Ceci permet d'éviter les accidents en cas de contact de l'accessoire de coupe avec des fils cachés ou son propre câble. En touchant un fil sous tension, la charge électrique passe dans les parties métalliques de l'outil électroportatif et il y a risque de choc électrique.
- Utilisez des pinces ou autres pour fixer et soutenir la pièce de manière stable. Si vous la tenez à la main ou contre votre corps, elle ne sera pas stable et vous pouvez en perdre le contrôle.
- Avant de percer les murs, les planchers ou les plafonds, vérifiez l'emplacement des câblages et des tuyaux.
- Évitez de toucher le bout d'un foret juste après avoir percé. Il peut être chaud.

Sécurité pour autrui


- Cet outil ne peut être utilisé par des personnes (y compris des enfants) ayant des capacités mentales, sensorielles ou physiques réduites, ou celles manquant d'expérience et de connaissances, à moins qu'elles ne soient encadrées ou qu'elles n'aient été formées à l'utilisation de l'outil par une personne responsable de leur sécurité.
- Ne laissez jamais les enfants sans surveillance pour éviter qu'ils ne jouent avec cet outil.

6. Etiquettes apposées sur les outils

L'étiquette apposée sur votre outil peut contenir les symboles suivants:

	Lire le manuel d'instructions	Hz Hertz		Construction de classe II
	Utiliser une protection oculaire	W Watts		Borne de terre
	Utiliser des protections auditives	min minutes		Symbole d'alerte de sécurité
V Volts			.../min..	Rotations par minute
A Ampères		====...		
		n_0 Vitesse à vide		

Sécurité électrique

 Cet outil est doublement isolé. Par conséquent, aucun câble de mise à la terre n'est nécessaire. Vérifiez si l'alimentation mentionnée sur la plaque signalétique de l'outil correspond bien à la tension présente sur le lieu.

- Si le câble d'alimentation est endommagé, il doit être remplacé par le fabricant ou par un centre de réparation agréé Black & Decker pour éviter tout risque.

Fonctionnalités (Fig. A)

1. Détente de vitesse variable (Uniquement sur les modèles HD5010VA5, HD5513V, HD5513KA40, HD5513KHA)
2. Bouton de verrouillage
3. Curseur marche avant/arrière, Butée de profondeur et Poignée latérale (Uniquement sur les modèles HD5513V, HD5513KHA, KHA40V)

4. Sélecteur de mode perçage

5. Mandrin

Montage



Attention! Avant le montage, assurez-vous que l'outil est éteint et débranché.

Montage de la poignée latérale et de la butée de profondeur (fig. B) (Uniquement sur les modèles HD5513V, HD5513KA40, HD5513KHA)

- Tourner la poignée dans le sens antihoraire jusqu'à pouvoir faire glisser la poignée latérale (7) vers l'avant de l'outil comme indiqué.
- Tourner la poignée latérale dans la position souhaitée.
- Insérer la butée de profondeur (6) dans le trou de montage comme indiqué.
- Régler la profondeur du perçage tel que décrit ci-dessous.
- Resserrer la poignée latérale en tournant la poignée dans le sens horaire.

Montage d'un foret/mèche de perçage ou d'un embout de vissage Mandrin à clé (fig. C)

- Ouvrir le mandrin en tournant le manchon (9) dans le sens antihoraire.
- Introduire l'arbre d'embout (8) dans le mandrin.
- Insérer la clé du mandrin (10) dans chaque trou (11) situé sur le côté du mandrin et tourner dans le sens horaire jusqu'à ce qu'il soit serré.

Démontage et remontage du mandrin (fig. D)

- Ouvrir le mandrin aussi loin que possible.
- Retirer la vis de fixation du mandrin, située dans le mandrin, en la tournant dans le sens horaire à l'aide d'un tournevis.
- Serrer une clé Allen dans le mandrin et frappez-le avec un marteau comme indiqué.
- Retirer la clé Allen.
- Retirer le mandrin en le tournant dans le sens antihoraire.
- Pour remettre le mandrin, vissez-le sur la broche et fixez-le avec sa vis de fixation.

Utilisation



Attention! Laisser l'outil fonctionner à son propre rythme. Ne pas surcharger.



Attention! Avant de percer un mur, un sol ou un plafond, vérifier l'emplacement des câbles et des tuyaux.

Sélection du sens de rotation (fig. E)

Pour percer ou pour visser, utiliser la marche avant (rotation dans le sens horaire). Pour dévisser ou enlever un foret coincé, utiliser la marche arrière (rotation dans le sens antihoraire).

- Pour sélectionner la marche avant, faites glisser le curseur de marche avant/arrière (3) vers la position centrale.
- Pour sélectionner la marche arrière, faites glisser le curseur de marche avant/arrière vers la gauche.

Attention! Ne changez jamais le sens de rotation lorsque le moteur est en marche.

Sélection du mode perçage

- Pour percer dans un ouvrage de maçonnerie, régler le sélecteur de mode perçage (3) sur la **T** position.
- Pour percer dans d'autres matériaux et pour visser, régler le sélecteur de mode perçage sur la **2** position.

Réglage de la profondeur de perçage (fig. F) (Uniquement sur les modèles HD5513V, HD5513KA40, HD5513KHA)

- Desserrer la poignée latérale (7) en tournant la poignée dans le sens antihoraire.
- Régler la butée de profondeur (6) sur la position souhaitée. La profondeur de perçage maximale est égale à la distance entre l'extrémité du foret et l'extrémité avant de la butée de profondeur.
- Resserrer la poignée latérale en tournant la poignée dans le sens horaire.

Mise en marche et arrêt

- Pour mettre l'outil en marche, appuyer sur la détente de vitesse (1). Pour les outils équipés d'une détente de vitesse variable, la vitesse de l'outil dépend du degré d'appui sur la détente. En règle générale, utiliser des vitesses lentes pour des forets à large diamètre et des vitesses plus rapides pour des forets de petits diamètres. (Uniquement pour les modèles HD5010VA5, HD5513V, HD5513KA40, HD5513KHA)

- Pour un fonctionnement continu, appuyer sur le bouton de verrouillage (2) et relâcher la détente de vitesse. Cette option n'est disponible que pour la pleine vitesse. Cette option ne fonctionne pas en mode de rotation arrière.
- Pour éteindre l'outil, relâcher la détente de vitesse. Pour éteindre l'outil lorsqu'il est en fonctionnement continu, appuyer une seconde fois sur la détente de vitesse et relâcher la.

Accessoires

La qualité du travail réalisé par votre outil dépend des accessoires utilisés. Les accessoires Black & Decker et Piranha correspondent aux normes de qualité supérieure et sont conçus pour donner le meilleur résultat possible. En utilisant ces accessoires, votre outil vous donnera entière satisfaction.

Entretien

Votre outil Black & Decker a été conçu pour fonctionner pendant longtemps avec un minimum d'entretien. Un fonctionnement continu satisfaisant dépend d'un nettoyage régulier et d'un entretien approprié de l'outil.



Attention ! Préalablement à toute opération d'entretien, éteignez et débranchez l'outil.

- Nettoyez régulièrement les orifices de ventilation de votre outil à l'aide d'une brosse souple ou d'un chiffon sec.
- Nettoyez régulièrement le compartiment du moteur à l'aide d'un chiffon humide. N'utilisez pas de produit abrasif ou à base de solvant.
- Ouvrez régulièrement le mandrin et retirez la poussière à l'intérieur en le tapant (si installé).

Remplacement des prises secteur

Si une nouvelle prise secteur doit être installée :

- Mettez au rebut la vieille prise.
- Branchez le fil brun dans la borne de la nouvelle prise.
- Branchez le fil bleu à la borne neutre.

Attention ! Aucune connexion ne doit être faite à la borne de terre. Suivez les instructions de montage fournies avec les prises de bonne qualité. Fusibles recommandés : 5 A.

Données techniques

	HD4810	HD5010 / HD5010A5	
Tension	VDC		
AR, B2C	220-240V ~ 50/60Hz	220-240V ~ 50/60Hz	
Puissance nominale	W	480	500
Vitesse à vide	min ⁻¹	3000	3000
Capacité max. de perçage			
Métal/Béton	mm	10	10
Bois	mm	20	20

	HD5010KHA7	HD5010VA5	
Tension	VDC		
AR, B2C	220-240V ~ 50/60Hz	220-240V ~ 50/60Hz	
Puissance nominale	W	500	500
Vitesse à vide	min ⁻¹	2800	0-2800
Capacité max. de perçage			
Métal/Béton	mm	10	10
Bois	mm	20	20

	HD5513V / HD5513KHA HD5513KA40		
Tension	V _{DC}		
AR, B2C	220-240V ~ 50/60Hz		
Puissance nominale	W	550	
Vitesse à vide	min ⁻¹	0-2800	
Capacité max. de perçage			
Métal/Béton	mm	10	
Bois	mm	20	

Protection de l'environnement



Recyclage. Cet appareil ne doit pas être jeté avec les déchets ménagers.

Si votre appareil Black & Decker doit être remplacé ou si vous n'en avez plus l'usage, ne le jetez pas avec les ordures ménagères. Songez à la protection de l'environnement et recyclez-les.



La collecte séparée des produits et des emballages usagés permet de recycler et de réutiliser des matériaux. La réutilisation de matériaux recyclés évite la pollution de l'environnement et réduit la demande de matières premières.

Des réglementations locales peuvent stipuler la collecte séparée des produits électriques et des produits ménagers, dans des déchetteries municipales ou par le revendeur lorsque vous achetez un nouveau produit.

Black & Decker offre une solution permettant de recycler les produits Black & Decker lorsqu'ils ont atteint la fin de leur cycle de vie. Pour pouvoir profiter de ce service, veuillez retourner votre produit à un réparateur agréé qui se chargera de le collecter pour nous.

Pour connaître l'adresse du réparateur agréé le plus proche de chez vous, contactez le bureau Black & Decker à l'adresse indiquée dans ce manuel. Vous pourrez aussi trouver une liste de réparateurs agréés de Black & Decker et de plus amples détails sur notre service après-vente sur le site Internet à l'adresse suivante : www.2helpU.com.

Garantie

Black & Decker is confident of the quality of its products and offers an outstanding guarantee. This guarantee statement is in addition to and in no way prejudices your statutory rights. The guarantee is valid within the territories of the Member States of the European Union and the European Free Trade Area.

If a Black & Decker product becomes defective due to faulty materials, workmanship or lack of conformity, within 24 months from the date of purchase, Black & Decker guarantees to replace defective parts, repair products subjected to fair wear and tear or replace such products to make sure of the minimum inconvenience to the customer unless:

- The product has been used for trade, professional or hire purposes.
- The product has been subjected to misuse or neglect.
- The product has sustained damage through foreign objects, substances or accidents.
- Repairs have been attempted by persons other than authorised repair agents or Black & Decker service staff.

To claim on the guarantee, you will need to submit proof of purchase to the seller or an authorised repair agent. You can check the location of your nearest authorised repair agent by contacting your local Black & Decker office at the address indicated in this manual. Alternatively, a list of authorised Black & Decker repair agents and full details of our aftersales service and contacts are available on the Internet at:

www.2helpU.com

Please visit our website **www.blackanddecker.co.uk** to register your new Black & Decker product and to be kept up to date on new products and special offers. Further information on the Black & Decker brand and our range of products is available at **www.blackanddecker.co.uk**.

الضمان

تثق بلاك أند ديكر بجودة منتجاتها وتقدم ضماناً مميزاً. ويكون بيان الضمان هذا بالإضافة ولا يخل بأي حال من الأحوال بالحقوق القانونية. ويسري هذا الضمان داخل إقليم الدول الأعضاء في الإتحاد الأوربي ومنطقة التجارة الحرة الأوروبية.


إذا أصبح منتج بلاك أند ديكر معيباً بسبب عيوب المواد والصناعة وعدم المطابقة، تضمن بلاك أند ديكر في غضون 24 شهراً من تاريخ الشراء استبدال الأجزاء المعيبة وإصلاح المنتجات مع مراعاة البلي بالاستخدام العادي أو استبدال هذه المنتجات للتأكد من رضا العملاء ما لم:

- تم استخدام المنتج لأغراض تجارية أو مهنية أو للتأجير.
- إهمال أو إساءة استخدام المنتج.
- تعرض المنتج لتلف بسبب مواد أو أغراض غريبة أو الحوادث.
- محاولة إجراء عمليات الإصلاح من قبل الأشخاص الآخرين بخلاف وكلاء الإصلاح المصرح بهم أو فريق الخدمة التابع لبلاك أند ديكر.


للمطالبة بالضمان، يجب تقديم إثبات الشراء للبائع أو وكيل البيع المعتمد. ويمكنك معرفة مكان أقرب وكيل إصلاح معتمد بمراجعة مكتب بلاك أند ديكر المحلي في العنوان المشار إليه في الدليل. كما تتوفر قائمة بوكلاء الإصلاح المعتمدين لدى بلاك أند ديكر وبيانات خدمات ما بعد البيع والاتصال على الموقع الإلكتروني: www.2helpU.com

يرجى مراجعة موقعنا الإلكتروني www.blackanddecker.co.uk لتسجيل منتجك الجديد من بلاك أند ديكر ولمعرفة أحدث المنتجات والعروض الخاصة. وللحصول على المزيد من المعلومات حول علامة بلاك أند ديكر ومنتجاتنا، يرجى زيارة www.blackanddecker.co.uk

حماية البيئة

تجميع منفصل. يجب عدم إلقاء هذا المنتج مع
المخلفات المنزلية. 

إذا تبين لك في أحد الأيام بأنه يجب تبديل جهاز بلاك أند ديكر الخاص بك أو لم تعد بحاجة لاستخدامه. لا تتخلص منه مع المخلفات المنزلية. وقم بتوفير هذا المنتج للتجميع المنفصل.

يمكن التجميع المنفصل للمنتجات والعبوات المستخدمة من إعادة تدوير المواد واستخدامها مرة أخرى، إذ يساعد إعادة استخدام المواد المعاد تدويرها على منع التلوث البيئي وخفض الطلب على المواد الخام 

قد تنص التشريعات المحلية على تجميع منفصل للمنتجات الكهربائية عن المخلفات المنزلية في مواقع مخلفات البلدية أو تاجر التجزئة عند شراء منتج جديد.

توفر بلاك أند ديكر منشأة لتجميع وإعادة تدوير منتجات بلاك أند ديكر عند وصول تلك المنتجات لنهاية عمرها النافع. وللاستفادة من هذه الخدمة، يرجى إعادة المنتج إلى أي وكيل إصلاح معتمد الذي سيقوم بتجميع المنتجات نيابة عنا.

يمكنك معرفة مكان أقرب وكيل إصلاح معتمد بمراجعة مكتب بلاك أند ديكر المحلي في العنوان المشار إليه في الدليل. كما تتوفر قائمة بوكلاء الإصلاح المعتمدين لدى بلاك أند ديكر وبيانات خدمات ما بعد البيع والاتصال على الموقع الإلكتروني: www.2helpU.com.

البيانات الفنية

HD5010 / HD5010A5		HD4810	
الجهد الكهربائي		فولط تيار مستمر	
أيه آر، بي ٢ سي		٢٢٠ - ٢٤٠ فولط - ٦٠/٥٠ هرتز ٢٢٠ - ٢٤٠ فولط - ٦٠/٥٠ هرتز	
شدة التيار الكهربائي الداخل		واط ٤٨٠	
السرعة بدون حمل		دقيقة ١-٣٠٠٠	
أقصى عمق للثقب			
الفولاذ / الخرسانة		ملم ١٠	
الخشب		ملم ٢٠	

HD5010KHA7		HD5010VA5	
الجهد الكهربائي		فولط تيار مستمر	
أيه آر، بي ٢ سي		٢٢٠ - ٢٤٠ فولط - ٦٠/٥٠ هرتز ٢٢٠ - ٢٤٠ فولط - ٦٠/٥٠ هرتز	
شدة التيار الكهربائي الداخل		واط ٥٠٠	
السرعة بدون حمل		دقيقة ١-٢٨٠٠	
أقصى عمق للثقب			
الفولاذ / الخرسانة		ملم ١٠	
الخشب		ملم ٢٠	

HD5513V / HD5513KHA		HD5513KA40	
الجهد الكهربائي		فولط تيار مستمر	
أيه آر، بي ٢ سي		٢٢٠ - ٢٤٠ فولط - ٦٠/٥٠ هرتز	
شدة التيار الكهربائي الداخل		واط ٥٥٠	
السرعة بدون حمل		دقيقة ١-٢٨٠٠	
أقصى عمق للثقب			
الفولاذ / الخرسانة		ملم ١٠	
الخشب		ملم ٢٠	

- أحكم ربط المقبض الجانبي بتدوير القبضة في اتجاه عقارب الساعة.

استبدال قابس التيار الرئيسي

عند الحاجة لتثبيت قابس تيار رئيسي جديد:

- تخلص من القابس الجديد بأمان.
- قم بتوصيل السلك البني مع الطرف الموصل بالتيار إلى القابس الجديد.
- قم بتوصيل السلك الأزرق مع الطرف المحايد.
- تحذيراً! لا يجب إجراء أي توصيل بالطرف الأرضي. اتبع تعليمات التركيب المقدمة مع القوابس عالية الجودة. الصهيرة الموصى بها: ٥ أمبير.


التشغيل وإيقاف التشغيل

- لتشغيل الأداة، اضغط على مفتاح تبديل السرعة (١). تعتمد سرعة الأداة على مدى ضغطك على المفتاح إذا كانت الأداة مزودة بمفتاح تبديل سرعة متغير. وكقاعدة عامة، استخدم سرعات منخفضة عند استخدام لقم الثقب ذات قطر كبير واستخدم سرعات عالية عند استخدام لقم الثقب ذات قطر أصغر. (فقط لطرز، و HD٥٠١٠VA و HD٥٥١٣V و HD٥٥١٣KA٤٠ و HD٥٥١٣KHA)
- للتشغيل المستمر، اضغط على زر تثبيت السرعة (٢) وحرر مفتاح تبديل السرعة. يتوفر هذا الخيار فقط عند التشغيل بسرعة كاملة. ولا يعمل هذا الخيار في نمط الدوران للخلف.
- لإيقاف تشغيل الأداة، حرر مفتاح تبديل السرعة. ولإيقاف تشغيل الأداة إذا كانت في وضع التشغيل المستمر، اضغط على مفتاح تبديل السرعة مرة أخرى وحرره.

الملحقات

يعتمد أداء الجهاز على نوع الملحقات المستخدمة. وقد تم هندسة ملحقات بلاك آند ديكر وبيراننا وفقاً لمعايير عالية الجودة وتصميمها لتحسين استخدامك للجهاز. وباستخدام هذه الملحقات، ستحقق أكبر استفادة ممكنة من الجهاز.

الصيانة

- جهاز بلاك آند ديكر مصمم ليديم لفترة طويلة بأقل قدر من الحاجة للصيانة. حيث يعتمد استمرار الجهاز في أداء عمله على النحو المرضي على العناية المناسبة والتنظيف المنتظم.
- تحذيراً! قبل إجراء أية صيانة للجهاز، قم بإيقاف تشغيله وفصله عن التيار الكهربائي 
- نظف منافذ التهوية الموجودة في الجهاز دورياً باستخدام فرشاة ناعمة أو قطعة قماش جافة.
- نظف مبيت المحرك دورياً باستخدام قطعة قماش مبللة، ولا تستخدم أي منظف قائم على المذيبات أو أية مادة كاشطة.
- افتح قابض اللقم دورياً وقم بإزالة أية أتربة موجودة بالداخل (عند التركيب).

- ٢. مفتاح تثبيت زر دوران أمامي / خلفي، ومحدد عمق ومقبض جانبي (فقط لطرز HD٥٥١٣V و HD٥٥١٣KHA و KHA٤٠V)
- ٣. زر دوران أمامي / خلفي، ومحدد عمق ومقبض جانبي (فقط لطرز HD٥٥١٣V و HD٥٥١٣KHA و KHA٤٠V)
- ٤. محدد وضع الثقب
- ٥. ظرف
- إعادة تركيب الظرف، اربطه ببرغي في عمود الدوران وقم بتثبيتته ببرغي تثبيت الظرف.

الاستخدام



تحذير! تأكد قبل التركيب من أن الجهاز في وضع الإيقاف وغير متصل بالتيار الكهربائي.

تحذير! قم بتشغيل الجهاز بالسرعة المحددة له ولا تفرط في التحميل عليه.



تحذير! تحقق من أماكن الأسلاك والأنابيب قبل ثقب الجدران أو الأرضيات أو السقف.



تحديد اتجاه الدوران (الشكل هـ)

للثقب وتثبيت البراغي، استخدم الدوران للأمام (اتجاه عقارب الساعة). ولفك البراغي أو إزالة مسامير الثقب العموق حركتها، استخدم الدوران للخلف (عكس اتجاه عقارب الساعة).

• لاختيار الدوران الأمامي، ادفع زر الدوران للأمام / للخلف (٣) ناحية المنتصف.

• لاختيار الدوران الخلفي، ادفع زر الدوران للأمام / للخلف ناحية اليسار.

تحذير! لا تبدل اتجاه الدوران أثناء تشغيل المحرك.

تحديد نمط الثقب

• للثقب في الخرسانة والحجارة، اضبط محدد نمط الثقب (٣) على الوضع T.

• للثقب في المواد الأخرى وتركيب البراغي، اضبط محدد نمط الثقب على الوضع 1.

تحديد عمق الثقب (الشكل " و ") (فقط لطرز HD٥٥١٣V و HD٥٥١٣KHA)

• قم بإرخاء المقبض الجانبي (٧) بتدوير القبضة عكس اتجاه عقارب الساعة.

• اضبط محدد العمق (٦) على الوضع المطلوب، مع العلم بأن أقصى عمق للثقب يعادل المسافة بين طرف لقمة الثقب والظرف الأمامي لمحدد العمق.

• قم بلف القبضة عكس اتجاه عقارب الساعة إلى أن يمكنك تثبيت المقبض الجانبي (٧) في مقدمة الأداة كما هو موضح.

• قم بلف المقبض الجانبي إلى الوضع المطلوب.

• قم بإدخال محدد العمق (٦) في فتحة التثبيت كما هو موضح.

• قم بضبط عمق الثقب كما هو موضح أدناه.

• اربط المقبض الجانبي من خلال لف القبضة في اتجاه عقارب الساعة.

تركيب لقمة ثقب أو ظرف بمفاتيح ثلاث لقمة مفك البراغي (الشكل ج)

• افتح الظرف من خلال لف الجلبة (٩) عكس اتجاه عقارب الساعة.

• أدخل عمود دوران اللقمة (٨) في الظرف.

• أدخل مفتاح الظرف (١٠) في كل فتحة (١١) في جانب الظرف وقم باللف في اتجاه عقارب الساعة إلى أن يتم إحكام الربط.

إزالة الظرف وإعادة تركيبه (الشكل د)

• افتح الظرف بأكبر درجة ممكنة.

• قم بإزالة برغي تثبيت الظرف، الموجود في الظرف، من خلال لفة في اتجاه عقارب الساعة باستخدام مفك براغي.

- ج سحب القياس من المقبس و/أو انزع البطارية قبل ضبط الجهاز أو استبدال الملحقات أو تخزين الأجهزة الكهربائية. وتمنع احتياطات السلامة الوقائية المذكورة من تشغيل العدة الكهربائية بشكل غير مقصود.
- د احتفظ بالأجهزة الكهربائية غير المستخدمة بعيداً عن متناول الأطفال. ولا تسمح بتشغيلها من قبل الأشخاص الذين لا يجيدون استخدامها أو الذين لم يطلعوا على تلك التعليمات، إذ أن الأجهزة الكهربائية قد تشكل خطورة كبيرة إذا تم تشغيلها من قبل أشخاص غير متدربين عليها.
- ه حافظ على صيانة الأجهزة الكهربائية وافحصها للتأكد من أن الأجزاء الدوارة تعمل بشكل جيد وبأنه لا يتم عرقلة حركتها وللتعرف على وجود أية كسور فيها أو أي حالة أخرى قد تؤثر على تشغيل الأجهزة. فإذا تبين تلفها، يجب إصلاحها قبل الاستخدام، إذ تقع العديد من الحوادث بسبب الصيانة الرديئة للأجهزة الكهربائية.
- و حافظ على إبقاء عدد القطع نظيفة وحادة، إذ تقل احتمالية عرقلة حركة أدوات القطع ذات حواف القطع الحادة والتي يتم صيانتها بالشكل المناسب كما يسهل السيطرة عليها.
- ز استخدم الجهاز الكهربائي والملحقات وُعد الشغل وما إلى ذلك وفقاً لهذه التعليمات، مع الأخذ في الحسبان ظروف وطبيعة العمل المقرر تنفيذه. وقد يؤدي استخدام الجهاز الكهربائي لتنفيذ أعمال لم يخصص لأجلها إلى التعرض لحالات خطيرة.

٥ إصلاح الجهاز الكهربائي

- أ لا تصلح جهازك الكهربائي إلا لدى وكيل الصيانة المؤهل باستخدام قطع الاستبدال المطابقة بما يضمن الحفاظ على سلامة الجهاز الكهربائي.

إرشادات وتحذيرات إضافية للسلامة

- إرتد واقية الأذنين عند تنفيذ أعمال الثقب الصدمي، إذ أن التعرض للضوضاء قد يتسبب في فقدان السمع.
- استخدم المقابض الإضافية المزودة مع الجهاز، إذ أن فقدان السيطرة على الجهاز قد يعرضك للإصابة.
- امسك الجهاز بواسطة أسطح معزولة فقط عند العمل بالجهاز حيثما أمكن أن يتلامس ملحق القطع مع الأسلاك المستورة أو الكابيل. واعلم بأن قطع الكابلات "التي يسرى بها التيار" قد يوصل التيار إلى الأجزاء المعدنية المكشوفة مما قد يعرضك إلى مخاطر الإصابة بالصددمات الكهربائية.

- استخدم مشابك أو أي طريقة عملية أخرى لإحكام تثبيت قطع العمل على منصة ثابتة، إذ أن قطعة العمل تكون غير ثابتة عندما تكون محمولة باليد أو مستندة إلى الجسم مما يؤدي إلى فقدان السيطرة عليها.







- تحقق من أماكن الأسلاك والأنابيب قبل ثقب الجدران أو الأرضيات أو السقف.
- لا تلمس طرف لقمة الثقب مباشرة بعد عملية الثقب إذ أنها قد تكون ساخنة.

سلامة الآخرين

- هذه الآلة غير مصممة ليستخدمها الأشخاص أصحاب القدرات الجسدية الحسية أو العقلية المحدودة أو الخبرة والمعرفة القليلة (بمن فيهم الأطفال)، إلا في ظل الإشراف عليهم أو إعطائهم التعليمات المتعلقة باستخدامها من قبل الشخص المسؤول عن سلامتهم.
- يلزم الإشراف على الأطفال لضمان عدم عبثهم بالجهاز.

٦ العلامات على الأداة

قد تتضمن العلامات الموجودة على الأداة الرموز التالية:

عزل مزدوج من الفئة ٢		هرتز Hz		اقرأ دليل التعليمات
طرف أرضي		واط W		استخدم واقي العين
رمز تنبيه الأمان		دقيقة تيار متردد		استخدم واقي الأذن
عدد الدورات أو الترددات في الدقيقة	.../min..	تيار مستمر	min	V فولت
				A مبير
				N ₀ السرعة بدون حمل

السلامة الكهربائية

تم تزويد الشاحن بطبقة عزل مزدوجة؛ ولذا لا يتطلب وجود سلك أرضي لتشغيله. تأكد دائماً من أن جهد منفذ الكهرباء الرئيسي متوافق مع الجهد المبين بلوحة التصنيف.

- في حالة تلف سلك توصيل الكهرباء، يجب استبداله من قبل جهة التصنيع أو أي مركز خدمة معتمد من بلاك أند بيكر لتجنب المخاطر.

الخصائص (الشكل أ)

1. مفتاح سرعة متغير (فقط لطرز HD٥٠١٠VA و HD٥٠١٣V و HD٥٠١٣KHA و HD٥٠١٣KA٤٠)

غرض الاستخدام

٥ لا تستخدم سوى كابلات التمديد المناسبة عند الاستخدام الخارجي للجهاز، إذ أن استخدام كابلات التمديد المناسبة يخفف من مخاطر التعرض للصدمة الكهربائية.

تم تصميم هذا المثقاب من بلاك آند ديكر لثقب الأخشاب والمعادن والبلاستيك وحجارة البناء، وهو مخصص لاستخدام المستهلك فقط.

إرشادات السلامة

تحذيرات السلامة العامة عند استخدام الأجهزة الكهربائية



تحذير! يجب قراءة كافة تحذيرات وإرشادات السلامة، إذ قد يؤدي عدم الالتزام بالإرشادات والتعليمات المبينة أدناه إلى خطر التعرض لصدمة كهربائية و/أو إصابات خطيرة.

احتفظ بجميع تحذيرات وإرشادات السلامة للرجوع إليها مستقبلاً.

يشير مصطلح "جهاز كهربائي" حينما ورد في الإرشادات المبينة أدناه إلى جميع الأجهزة الكهربائية التي تعمل بالكهرباء (السلوكية) أو بالبطارية (اللاسلكية).

١ سلامة منطقة العمل

أ يجب أن تكون منطقة العمل نظيفة ومضاءة جيداً، إذ تزيد مخاطر التعرض للحوادث في المناطق المظلمة أو غير المنظمة.

ب لا تشغل الأجهزة الكهربائية في الأجواء القابلة للانفجار كما في محيط الغبار أو السوائل أو الغازات القابلة للاشتعال، إذ ينجم عن استخدام الجهاز الكهربائي شظايا قد تتطاير ثم تشعل الغبار أو الأدخنة.

ج يجب إبعاد الأطفال والمارة عن منطقة العمل أثناء تشغيل الجهاز الكهربائي، وانتبه فقد تؤدي عوامل صرف الانتباه إلى فقدان التحكم بتلك الأجهزة.

٢ السلامة الكهربائية

أ يجب أن يتوافق قابس الجهاز الكهربائي مع المقبس. ويحظر تغيير القابس بأي حال من الأحوال أو استخدام أي قابس مهايئ مع الأجهزة الكهربائية التي لها طرف مؤرض (أرضي). ويخفف استخدام القابس غير المعدل والمقابس المتجانسة من خطورة التعرض للصدمة الكهربائية.

ب تجنب ملامسة الجسم للسطوح المؤرضة أو الأرضية كالأنابيب وراديترات التدفئة والمدافئ والفلاجات، إذ تزداد خطورة التعرض للصدمة الكهربائية عندما يكون جسمك ملامساً للأرض.

ج لا تعرض الأجهزة الكهربائية للمطر أو الرطوبة، علماً بأن تسرب المياه إلى داخل الجهاز الكهربائي يزيد من خطورة التعرض للصدمة الكهربائية.

د لا تقم بإساءة استخدام السلك، فلا تستخدمه أبداً لحمل الجهاز الكهربائي أو لجذبه أو لفصل القابس عن المقبس. واحتفظ بالسلك بعيداً عن مصادر الحرارة أو الزيت أو الأطراف الحادة أو الأجزاء المتحركة. ويزيد تشابك الأسلاك أو تلفها من خطورة التعرض للصدمة

الكهربائية.

و إذا تعذر تجنب تشغيل الجهاز الكهربائي في الأجواء الرطبة، استخدم مفتاح للوقاية من التيار المتخلف، إذ إن استخدام ذلك المفتاح يقلل من خطر التعرض للصدمة الكهربائية.

٣ السلامة الشخصية

أ كن يقظاً وانتبه لما تفعله، وكن حذراً عند تشغيل الجهاز الكهربائي. ولا تستخدم الجهاز الكهربائي عند شعورك بالتعب أو عندما تكون تحت تأثير المخدرات أو الكحول أو الأدوية. إذ قد يؤدي عدم الانتباه للحظة واحدة عند استخدام الجهاز الكهربائي إلى التعرض لإصابة خطيرة.

ب ارتد دائماً نظارات الوقاية ومعدات الحماية الشخصية مثل قناع الوقاية من الغبار وأحذية الأمان الواقية من الانزلاق والخوذ أو واقية الأذنين، إذ أن ارتداء المعدات المناسبة يقلل من خطر التعرض للإصابات.

ج احذر التشغيل المفاجئ للجهاز الكهربائي وذلك بالتأكد من غلق الجهاز قبل توصيله بالتيار الكهربائي و/أو حزمة البطارية، وقيل رفعه أو حمله. يؤدي وضع إصبعك على مفتاح التشغيل أثناء حمل الجهاز الكهربائي أو توصيل الجهاز بالشبكة الكهربائية عندما يكون قيد التشغيل إلى وقوع الحوادث.

د انزع عدة الضبط أو مفتاح الربط قبل تشغيل الجهاز الكهربائي، إذ قد تؤدي العدة أو المفتاح المتواجد في جزء دوار من الجهاز إلى الإصابة بجروح.

ه تجنب أوضاع الجسد غير الطبيعية. قف بأمان وحافظ على توازنك في جميع الأوقات مما يمكنك من السيطرة على الجهاز بشكل أفضل في المواقف غير المتوقعة.

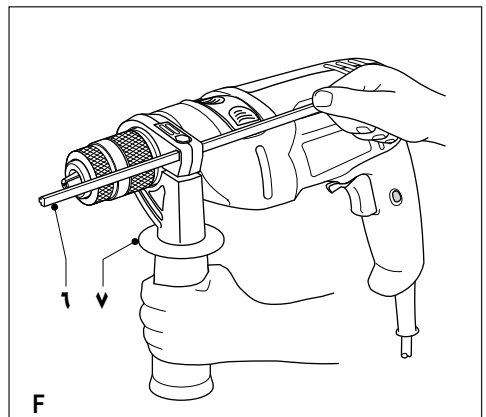
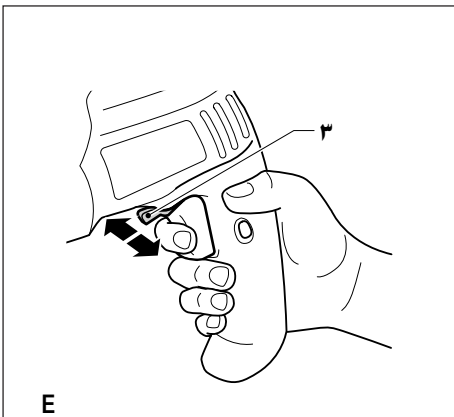
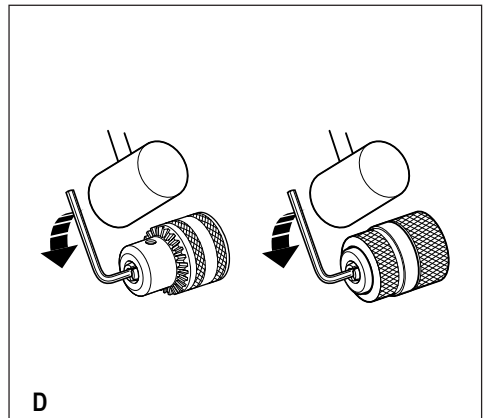
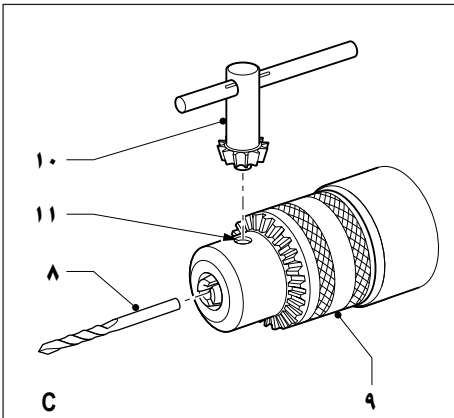
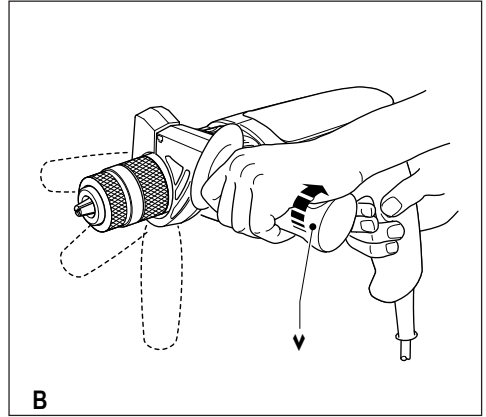
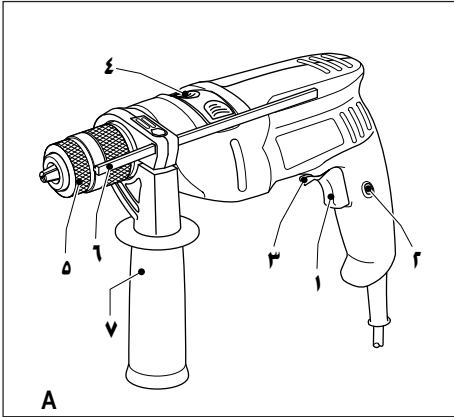
و ارتد ثياباً مناسبة، ولا ترتد الثياب الفضفاضة أو الحلي. حافظ على إبعاد الشعر والثياب الفضفاضة والقفازات عن الأجزاء المتحركة، إذ أنها قد تتشابك بالأجزاء المتحركة.

ز إذا تم تجهيز الجهاز بملحقات لسشط وتجميع الغبار، تأكد من أنها متصلة بالجهاز وبأنه يتم استخدامها بالشكل السليم، إذ أن استخدام هذه الملحقات قد يخفف من المخاطر الناتجة عن الغبار.

٤ استخدام الجهاز الكهربائي والعناية به

أ لا تفرط في تحميل الجهاز. استخدم لتنفيذ أشغالك الجهاز المخصص لتنفيذ العمل بشكل أفضل وأكثر أماناً وفقاً لمعدل الأداء المحدد للاستخدام.

ب لا تستخدم الجهاز الكهربائي إذا كان مفتاح تشغيله تالفاً، إذ يمثل الجهاز الكهربائي الذي لا يمكن التحكم به بواسطة مفتاح التشغيل خطورة كبيرة ويجب تصليحه.



الأشكال التوضيحية لأغراض الأمثلة فقط. حيث يمكن أن تختلف عن المنتج الفعلي.

Names & Addresses for Black & Decker Service Concessionaries

ALGERIA: Sarl Outillage Corporation, 08 Rue Med Boudiaf - Cheraga - Algiers, Algeria. Tel: (213-21) 375130, Fax: (213-21) 369667. **ANGOLA:** Angoferraria, Lda., Rua Robert Shields, No. 61, Luanda, Angola. Tel: 00244-222-395837 / 222-395034, Fax: 00244-222-395970. **AZERBAIJAN:** Royalton Holdings Ltd. 41 Khagani St. Apt. 47 AZ 1001, Baku. Tel: (994-12) 4935544, Fax: (994-12) 5980378. **BAHRAIN:** Kavalani & Sons W.L.L., P.O. Box 71, Sitra, Manama, Tel: (973) 17732888, Fax: (973) 17737379. Alfouz Services Co. W.L.L., P.O. Box 26562, Tubli, Manama. Tel: (973) 17783562, Fax: (973) 17783479. **EGYPT:** El Farab S.A.E., 15-Nabil El Wakkad Street, Dokki, Giza, Egypt. Tel: 00202-37603946 / 002-010-2582544, Fax: 00202-33352796. **ETHIOPIA:** Seif Tewfik Sherif, Arada Sub-City, Kebele 01/02, Global Insurance Building, 2nd Floor, Room 43, P.O. Box 2525, Addis Ababa, Ethiopia. Tel: (251-11) 1563968/ 1563969, Fax: (251-11) 1558009. **IRAQ:** Financial Links, Kazzaz Building Ararat Al-Hindia Block No: 629 Street: 31 Building No: 1 Baghdad - Iraq. Tel: 00964 (0)780 195 2223/ 00964 (0)781 3763044. Al Sard Co. for General Trading Ltd. Jbara Bldg. 3Flr, Al Rasheed St. Bagdad. Tel: (964) 18184102. Sakhar Group, Arrasat al-hindya Al Masbah, Baghdad. (964) 7400144446. **JORDAN:** Palestine Bldg. (Bashiti Hardware), 93 King Abdullah 2nd Street. Opp. ELBA House, P.O. Box 3005, Amman 11953, Tel: (962-6) 5349098, Fax: (962-6) 5330731. **KENYA:** Dextron Tools Ltd., P.O. Box 20121-00200, Shariff House, Kimathi Street, Nairobi. Tel: (254-20) 6905000/ 2358021, Fax: (254-20) 6905111/ 6905112. **KUWAIT:** Al Omar Technical Co., P.O. Box 4062, 13041 Safat, Kuwait. Tel: (965) 24848595/ 24840039, Fax: (965) 24845652. Fawaz Al Zayani Establishment, P.O. Box 42426, Shop No. 18, Al Humaizi Commercial Complex, Khalifa Al Jassim, Shuwaikh, Kuwait. Tel: (965) 24828710, Fax: (965) 24828716. Fawaz Al Zayani Establishment, Fahaheel Industrial Area, Main St., Sanaya, Kuwait. Tel: (965) 23925830, Fax: (965) 24828716. **LEBANON:** Est. Shaya & Azar S.A.R.L., Boulevard Jdeideh - Mar Takla - Bouchrieh P.O. Box 90545 Jdeideh, Beirut - Lebanon. Tel: 00961 1 872305 / 306 , Fax: 00961 1 872303. **LIBYA:** North Africa Trading (El Ghoul Brothers), AlHilal Service Center Tawergha St. Misurata. Tel: 00218-091-3221408. **(Benghazi)** Sniydal st., Amr Ibn El-Aas Rd. Tel: (+218) 92 5771120. **(Tripoli)** Al Barniq Service Center, Mokhazin elskur st., ElFallah. Tel: (+218) 21 4808019. **(Misrata)** Al Hilal Service Center, Tawergha st. Tel: (+218) 51 2626743. **MAURITIUS:** Robert Le Marie Limited, Old Moka Road, Bell Village, P.O. Box 161, Port Louis, Tel: 00230-212 1865/ 212 2847, Fax: 00230-2080843. **MOROCCO:** Ets Louis Guillaud & Cie, 149, Quartier Industriel, Moulay Rachid, Casablanca, Postal Code 20450, Morocco. Tel: 00212-522729233, Fax: 00212-522729096. **NIGERIA:** Meridian Power Tools Ltd., Gr.Floor, #1 Alhaji Masha Rd, Next to Teslim Balogun Stadium, Near National Stadium Surulere, Lagos, Nigeria. Tel: 00234-1-774031 / 7740410, Fax: 00234-1-7913798. **OMAN:** Al Jizzi Company LLC, P.O. Box 1704, PC 112 Ruwi, Oman. Tel: (968) 24832618/ 24835153, Fax: (968) 24831334/24836460. Al Hassan Technical & Construction Supplies Co. LLC, P.O. Box 1948, P.C. 112, Ruwi, Tel: (968) 24810575 / 24837054, Fax: (968) 24810287/ 24833080. Oman Hardware Co. LLC, P.O. Box 635, Ruwi Postal Code 112, Tel: (968) 24815131, Fax: (968) 24816491. Khimji Ramdas, P.O. Box 19, Post Code 100, Ghalia, Muscat, Oman. Tel: (968) 24595906/ 907, Fax: (968) 24852752. Oman Marketing & Service Co. (Omasco), P.O. Box 2734, Behind Honda Showroom, Wattayah, Oman. Tel: (968) 24560232/ 24560255, Fax: (968) 24560993. Oman Marketing & Service Co. (Omasco), Al Ohi, Sohar, Oman. Tel: (968) 26846379, Fax: (968) 26846379. Oman Marketing & Service Co. (Omasco), Sanaya, Salalah, Oman. Tel: (968) 23212290, Fax: (968) 23210936. **PAKISTAN:** ZIT Co - Nasir & Bros., 2nd Floor, Qadri Center, Chokwal Dargan Railway Road, Lahore, Pakistan. Tel: 0092 42 37670839, Fax: 0092 42 37652989. Ammar Service & Spares, 60-Bank Arcade, Serai Road, Karachi, Pakistan. Tel: (92-21) 32426905, Fax: (92-21) 32427214. **QATAR:** Teyseer Industrial Supplies & Services Co. W.L.L, 55, Al Wakalat St. (Between St. 18 & 19) Salwa Industrial Area, P.O. Box 40523 Doha, Qatar. Tel: (974) 44581536, Fax: (974) 44682024. Shaheen Electrical Works & Trading Co. W.L.L, Gate 34, St. 44 Industrial Area P.O. Box 9756, Doha, Qatar. Tel: (974) 44600230 / 44600525, Fax: (974) 44601338. Al Mufah Service Centre, Al Wakrah Road, P.O. Box 875, Doha, Qatar. Tel: (974) 44650880/ 44650110/ 44446868, Fax: (974) 44441415 / 44662599. **SAUDI ARABIA: (Al Bahr)** Mohamed Ahmed Bin Afif Est., P.O. Box 530, Yanbu, Al Bahr. Tel: (966-4) 3222626/ 3228867, Fax: (966-4) 3222210. **(Al Khobar)** Fawaz Ebrahim Al Zayani Trading Est., P.O. Box 76026, Al Khobar # 31952, Tel: (966-3) 8140914, Fax: (966-3) 8140824. MSS (Al-Mojil Supply & Services) P.O. Box 450, Jubail 31951, Opp. Gulf Bridge Library & Riyadh House. Tel: (966-3) 3612850/ 3624487/ 3621729, Fax: (966-3) 3623589/ 3620783. **(Dammam)** MSS (Al-Mojil Supply & Services), P.O. Box 450, Jubail 31951, Opp. Gulf Bridge Library & Riyadh House. Tel: (966-3) 3612850 / 3624487 / 3621729, Fax: (966-3) 3623589 / 3620783. **(Al Bawardi Tools & Hardware)**, P.O. Box 112, Dammam, Tel: (966-3) 8330780 Ext.24 / 8348585 Ext. 24 / +966-3-8335555, Fax: (966-3) 8336303. **(Al Hassa)** Mutawa Trading & Gen. Services, Maliki road Hafuf city, Al Hassa, KSA. Tel: (966) 50286675 **(Jeddah)** Al Bawardi Tools & Hardware, P.O. Box 16905, Jeddah 21474, Tel: (966-2) 6444547 / 6439035 / 6456095, Fax: (966-2) 6439024. EAC (Al Yousef Contg. & Trdg. Est.), P.O. Box 30377, Jeddah -21477, Tel: (966-2) 6519912, Fax: (966-2) 6511153. **(Madina)** Garziz Trading for Bldg Mat & Decoration, P.O. Box 3364, Madina. Tel: (966-4) 826 14 90 / 8227636, Fax: (966-4) 8265741. **(Riyadh)** Industrial Material Organization (IMO), P.O. Box 623, Rld Street ,Riyadh, Tel: (966-1) 4028010 Ext 26 / 8001245757, Fax: (966-1) 4037970. Sultan Garment Factory (RSC), P.O. Box 29912, Riyadh 11467, KSA, Tel: (966-1) 4055148 / 4042889, Fax: (966-1) 4055148. Al Bawardi Tools & Hardware, P.O. Box 68, Riyadh 11411, Tel: (966-1) 4484999, Fax: (966-1) 4487877. **(Yanbu)** Fawaz Ebrahim Al Zayani, Opposite to Al Fouzan, Jeddah highway or King Abdul Aziz road, Yanbu. Tel: (966-4) 3960980, Fax: (966-4) 3961980. Mohamed Ahmed Bin Afif Est., P.O. Box 530, Yanbu, Al Bahr, Tel: (966-4) 3222626/ 3228867, Fax: (966-4) 3222210. **SOUTH AFRICA:** Stanley Black & Decker - RSA, 199 Winetree Drive Stormill Exit 9 Rooodepoort. Tel: (2711) 472 0454, Fax: (2711) 472 0482. Trevco Power Tool Service 14 Steenbok Street, Koedoespoort, 0186, Pretoria, South Africa. Tel: (27-86) 1873826, Fax: (27-86) 5001771. **TANZANIA:** General Motors investment Ltd., P.O. Box 16541, 14 Nyerere Road, Vingunguti, Dar-es-Salaam. Tel: (255 22) 2862661/ 2865022, Fax: (255 22) 2862667. **TUNISIA:** Societe Tunisienne De Maintenance (STM), Rue de la Physique. Nouvelle Zone Industrielle Ben Arous., 2013 Ben Arous, Tunisia. Tel: (+216) 79 389687, Fax: (+216) 71 385154. **UAE: (Abu Dhabi)** Light House Electrical, P.O. Box 120, Abu Dhabi. Tel: (971-2) 6726131, Fax: (971-2) 6720667. Galaxy Equipment Trading, Madinat Zayed (Baada Zaid), Abu Dhabi P.C. 58910, Tel: (971-2) 8844279, Fax: (971-2) 8844297 **(Ajman)** Al Suukon Gen. Trdg. Co. LLC, P.O. Box 2975, Ajman. Tel: (971-6) 7435725/ 7438317, Fax: (971-6) 7437350. Al Suukon Gen. Trdg. Co. LLC, P.O. Box 2975, Ajman, Tel: (971-6) 7435725 / 7438317, Fax: (971-6) 7437350 **(Al Ain)** Zillion Equipment and Spare Parts Trading LLC, P.O. Box 19740, Opp. Bin Sada/ Trimix Redymy Sanaiya, Al Ain. Tel: (971-3) 7216690, Fax: (971-3) 7216103. **(Dubai)** Black & Decker (Overseas) GmbH, P.O. Box 5420, Dubai. Tel: (971-4) 8127400/ 8127406, Fax: (971-4) 81272765. Ideal Star Workshop Eqp't.Trading LLC, P.O. Box 37116, Al Quoz, Dubai. Tel: (971-4) 3474160, Fax: (971-4) 3474157, Fine Tools, P.O.Box 30139, Al Quoz, Dubai, Tel: (971-4) 3385240, Fax: (971-4) 3385239, Albreah Engineering Service, P.O. Box 78954, Al Qusais, Dubai. Tel: (971-4) 2850044, Fax: (971-4) 2844802. **(Musaffah)** Light House Electrical, P.O. Box 120, Abu Dhabi. Tel: (971-2) 5548315, Fax: (971-2) 5540461. **(Sharjah)** Mc Coy Middle East LLC, P.O. Box 25793, Sharjah. Tel: (971-6) 5395931, Fax: (971-6) 5395932. Burj Al Madeena, Industrial Area No.1, Opp. Pakistani Masjid, P.O. Box 37635, Sharjah. Tel: (971-6) 5337747, Fax: (971-6) 5337719. Burj Al Madeena , Industrial Area No 1, opp Pakistani Masjid P.O. Box 37635, Sharjah. Tel: (971-6) 5337747, Fax: (971-6) 5337719 **(Ras Al Khaimah)** Mc Coy Middle East LLC, P.O. Box 10584, Ras Al Khaimah. Tel: (971-7) 2277095, Fax: (971-7) 2277096. **UGANDA:** The Building Center (U) Ltd., 52 Station Road, Kitgum House, P.O. Box 7436, Kampala, Uganda. Tel: (256-41) 4234567/ 4259754, Fax: (256-41) 4236413. **YEMEN: (Aden)** Middle East Trad. Co. Ltd. (METCO), Mualla Dakka, Aden, Yemen. Tel: (967-2) 222670, Fax: (967-2) 222670. **(Sana'a)** Middle East Trad. Co. Ltd. (METCO), Hayel St., Sana'a, Yemen. Tel: (967-1) 204201, Fax: (967-1) 204204. **(Taiz)** Middle East Trading Co. (METCO), P.O. Box 12363, 5th Flr, Hayel Saeed Anam Bldg, Al-Mugamma St. Taiz, Yemen. Tel: (967-4) 213455, Fax: (967-4) 219869.



WARRANTY REGISTRATION CARD

YOUR NAME/ الإسم

.....

YOUR ADDRESS العنوان

.....

.....

.....

POSTCODE الرمز البريدي

DATE OF PURCHASE تاريخ الشراء

DEALER'S NAME & ADDRESS/ إسم وعنوان البائع

.....

.....

PRODUCT MODEL NO. HD4810/HD5010/ HD5010A5/HD5010KHA7/ HD5010VA5/
HD5513KA40/ HD5513KHA/HD5513V



Free Manuals Download Website

<http://myh66.com>

<http://usermanuals.us>

<http://www.somanuals.com>

<http://www.4manuals.cc>

<http://www.manual-lib.com>

<http://www.404manual.com>

<http://www.luxmanual.com>

<http://aubethermostatmanual.com>

Golf course search by state

<http://golfingnear.com>

Email search by domain

<http://emailbydomain.com>

Auto manuals search

<http://auto.somanuals.com>

TV manuals search

<http://tv.somanuals.com>