



# 3" x 21" (75 x 533mm) BELT SANDER

## INSTRUCTION MANUAL

Catalog Number DS321

THANK YOU FOR CHOOSING BLACK & DECKER!  
GO TO [WWW.BLACKANDDECKER.COM/NEWOWNER](http://WWW.BLACKANDDECKER.COM/NEWOWNER)  
TO REGISTER YOUR NEW PRODUCT.

**BEFORE RETURNING THIS PRODUCT  
FOR ANY REASON PLEASE CALL  
1-800-544-6986**

BEFORE YOU CALL, HAVE THE FOLLOWING INFORMATION AVAILABLE, CATALOG No., TYPE No., AND DATE CODE. IN MOST CASES, A BLACK & DECKER REPRESENTATIVE CAN RESOLVE THE PROBLEM OVER THE PHONE. IF YOU HAVE A SUGGESTION OR COMMENT, GIVE US A CALL. YOUR FEEDBACK IS VITAL TO BLACK & DECKER.

### KEY INFORMATION YOU SHOULD KNOW:

- Always start your belt sander before it is in contact with the workpiece and do not switch it off until after it has been lifted from the workpiece.
- Always hold your belt sander with two hands.

### SAVE THIS MANUAL FOR FUTURE REFERENCE.

VEA EL ESPAÑOL EN LA CONTRAPORTADA.  
INSTRUCTIVO DE OPERACIÓN, CENTROS DE SERVICIO  
Y POLIZA DE GARANTÍA. ADVERTENCIA: LEASE ESTE  
INSTRUCTIVO ANTES DE USAR EL PRODUCTO.

Catalog No. DS321

Form No. 90519293

(APR. '07)

Copyright © 2007 Black & Decker

Printed in China

- **Maintain tools with care. Keep cutting tools sharp and clean.** Properly maintained tools, with sharp cutting edges are less likely to bind and are easier to control.
- **Check for misalignment or binding of moving parts, breakage of parts, and any other condition that may affect the tools operation. If damaged, have the tool serviced before using.** Many accidents are caused by poorly maintained tools.
- **Use only accessories that are recommended by the manufacturer for your model.** Accessories that may be suitable for one tool, may become hazardous when used on another tool.

### Service

- **Tool service must be performed only by qualified repair personnel.** Service or maintenance performed by unqualified personnel could result in a risk of injury.
- **When servicing a tool, use only identical replacement parts. Follow instructions in the Maintenance section of this manual.** Use of unauthorized parts or failure to follow Maintenance Instructions may create a risk of electric shock or injury.

### Specific Safety Rules

- **Hold tool by insulated gripping surfaces when performing an operation where the cutting tool may contact hidden wiring or its own cord.** Contact with a "live" wire will make exposed metal parts of the tool "live" and shock the operator.
- **Use clamps or another practical way to secure and support the work piece to a stable platform.** Holding the work by hand or against your body leaves it unstable and may lead to loss of control.

**⚠WARNING:** Some dust created by power sanding, sawing, grinding, drilling, and other construction activities contains chemicals known to cause cancer, birth defects or other reproductive harm. Some examples of these chemicals are:

- lead from lead-based paints,
- crystalline silica from bricks and cement and other masonry products, and
- arsenic and chromium from chemically-treated lumber. (CCA)

Your risk from these exposures varies, depending on how often you do this type of work. To reduce your exposure to these chemicals: work in a well ventilated area, and work with approved safety equipment, such as those dust masks that are specially designed to filter out microscopic particles.

- **Avoid prolonged contact with dust from power sanding, sawing, grinding, drilling, and other construction activities. Wear protective clothing and wash exposed areas with soap and water.** Allowing dust to get into your mouth, eyes, or lay on the skin may promote absorption of harmful chemicals.

**⚠WARNING:** Use of this tool can generate and/or disburse dust, which may cause serious and permanent respiratory or other injury. Always use NIOSH/OSHA approved respiratory protection appropriate for the dust exposure. Direct particles away from face and body.

**⚠CAUTION:** Wear appropriate hearing protection during use. Under some conditions and duration of use, noise from this product may contribute to hearing loss.

### SAFETY GUIDELINES - DEFINITIONS

It is important for you to read and understand this manual.

The information it contains relates to protecting YOUR SAFETY and PREVENTING PROBLEMS. The symbols below are used to help you recognize this information.

**⚠ DANGER:** Indicates an imminently hazardous situation which, if not avoided, will result in death or serious injury.

**⚠ WARNING:** Indicates a potentially hazardous situation which, if not avoided, could result in death or serious injury.

**⚠ CAUTION:** Indicates a potentially hazardous situation which, if not avoided, may result in minor or moderate injury.

**CAUTION:** Used without the safety alert symbol indicates a potentially hazardous situation which, if not avoided, may result in property damage.

### ⚠ General Safety Rules

**⚠ WARNING:** Read and understand all instructions. Failure to follow all instructions listed below may result in electric shock, fire and/or serious personal injury.

#### SAVE THESE INSTRUCTIONS

#### Work Area

- **Keep your work area clean and well lit.** Cluttered benches and dark areas invite accidents.
- **Do not operate power tools in explosive atmospheres, such as in the presence of flammable liquids, gases, or dust.** Power tools create sparks which may ignite the dust or fumes. Use in well ventilated areas only.
- **Keep bystanders, children, and visitors away while operating a power tool.** Distractions can cause you to lose control.

#### Electrical Safety

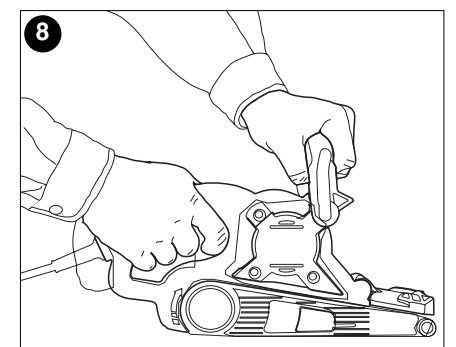
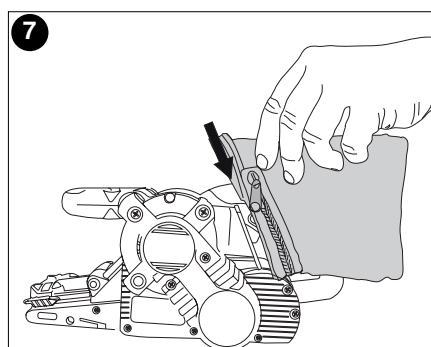
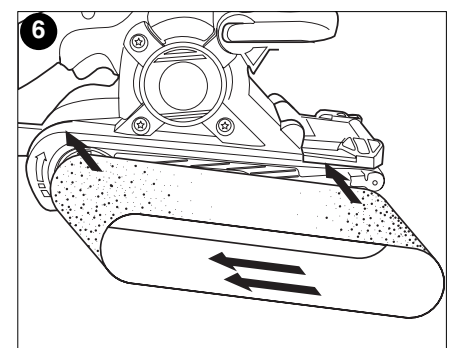
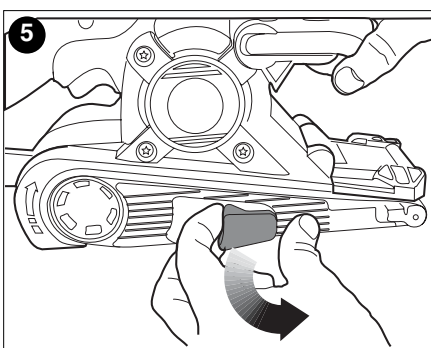
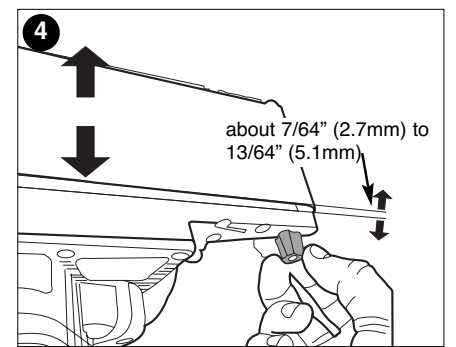
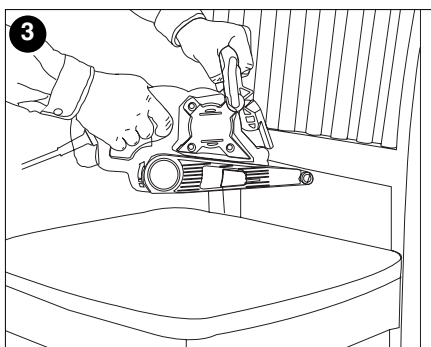
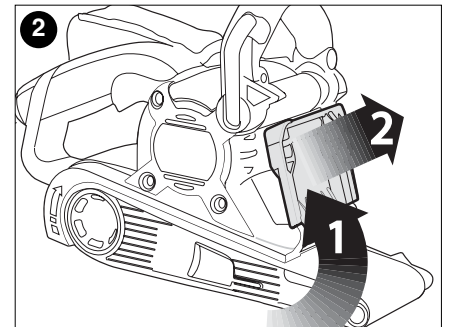
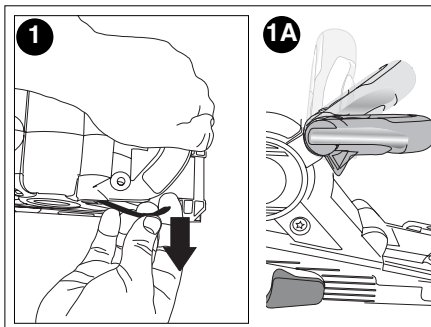
- **Double insulated tools are equipped with a polarized plug (one blade is wider than the other.) This plug will fit in a polarized outlet only one way. If the plug does not fit fully in the outlet, reverse the plug. If it still does not fit, contact a qualified electrician to install a polarized outlet. Do not change the plug in any way.** Double insulation  eliminates the need for the three wire grounded power cord and grounded power supply system.
- **Avoid body contact with grounded surfaces such as pipes, radiators, ranges and refrigerators.** There is an increased risk of electric shock if your body is grounded.
- **Don't expose power tools to rain or wet conditions.** Water entering a power tool will increase the risk of electric shock.
- **Do not abuse the cord. Never use the cord to carry the tools or pull the plug from an outlet. Keep cord away from heat, oil, sharp edges or moving parts. Replace damaged cords immediately.** Damaged cords increase the risk of electric shock.
- **When operating a power tool outside, use an outdoor extension cord marked "W-A" or "W."** These cords are rated for outdoor use and reduce the risk of electric shock.

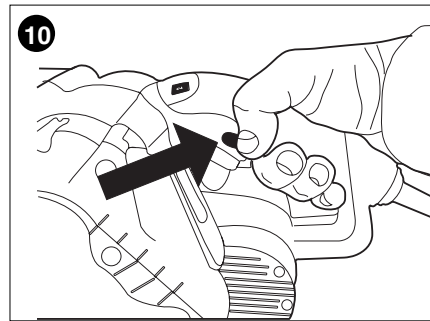
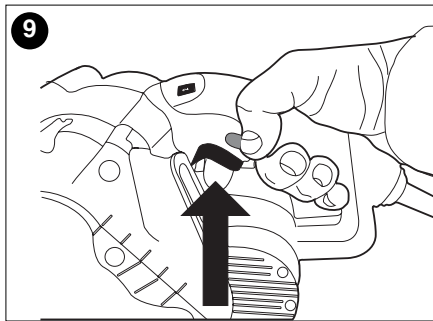
#### Personal Safety

- **Stay alert, watch what you are doing and use common sense when operating a power tool. Do not use tool while tired or under the influence of drugs, alcohol, or medication.** A moment of inattention while operating power tools may result in serious personal injury.
- **Dress properly. Do not wear loose clothing or jewelry. Contain long hair. Keep your hair, clothing, and gloves away from moving parts.** Loose clothing, jewelry, or long hair can be caught in moving parts. Air vents cover moving parts and should be avoided.
- **Avoid accidental starting. Be sure switch is off before plugging in.** Carrying tools with your finger on the switch or plugging in tools that have the switch on invites accidents.
- **Remove adjusting keys or wrenches before turning the tool on.** A wrench or key that is left attached to a rotating part of the tool may result in personal injury.
- **Do not overreach. Keep proper footing and balance at all times.** Proper footing and balance enables better control of the tool in unexpected situations.
- **Use safety equipment. Always wear eye protection.** Dust mask, non-skid safety shoes, hard hat, or hearing protection must be used for appropriate conditions.

#### Tool Use and Care

- **Use clamps or other practical way to secure and support the workpiece to a stable platform.** Holding the work by hand or against your body is unstable and may lead to loss of control.
- **Do not force tool. Use the correct tool for your application.** The correct tool will do the job better and safer at the rate for which it is designed.
- **Do not use tool if switch does not turn it on or off.** Any tool that cannot be controlled with the switch is dangerous and must be repaired.
- **Disconnect the plug from the power source before making any adjustments, changing accessories, or storing the tool.** Such preventative safety measures reduce the risk of starting the tool accidentally.
- **Store idle tools out of reach of children and other untrained persons.** Tools are dangerous in the hands of untrained users.





The label on your tool may include the following symbols.

- |                             |  |
|-----------------------------|--|
| V.....volts                 | A.....amperes  |
| Hz.....hertz                | W.....watts  |
| min.....minutes             | ~ alternating current                                |
| ==== direct current         | n <sub>o</sub> .....no load speed                    |
| □.....Class II Construction | ⊕.....earthing terminal                              |
| ⚠.....safety alert symbol   | .../min.....revolutions or reciprocations per minute |

### ⚠ Safety Warnings and Instructions: Sanders

- ALWAYS WEAR EYE AND RESPIRATORY PROTECTION.
- Clean your tool out periodically.

### ⚠ Other Important Safety Warnings and Instructions

#### Sanding

##### Lead Base Paint

Sanding of lead based paint is NOT RECOMMENDED due to the difficulty of controlling the contaminated dust. The greatest danger of lead poisoning is to children and pregnant women. Since it is difficult to identify whether or not a paint contains lead without a chemical analysis, we recommend the following precautions when sanding any paint:

##### Personal Safety

- No children or pregnant women should enter the work area where the paint sanding is being done until all clean up is completed.
- A dust mask or respirator should be worn by all persons entering the work area. The filter should be replaced daily or whenever the wearer has difficulty breathing.  
**NOTE:** Only those dust masks suitable for working with lead paint dust and fumes should be used. Ordinary painting masks do not offer this protection. See your local hardware dealer for the proper (NIOSH approved) mask.
- NO EATING, DRINKING or SMOKING should be done in the work area to prevent ingesting contaminated paint particles. Workers should wash and clean up BEFORE eating, drinking or smoking. Articles of food, drink, or smoking should not be left in the work area where dust would settle on them.

##### Environmental Safety

- Paint should be removed in such a manner as to minimize the amount of dust generated.
- Areas where paint removal is occurring should be sealed with plastic sheeting of 4 mils thickness.
- Sanding should be done in a manner to reduce tracking of paint dust outside the work area.

##### Cleaning And Disposal

- All surfaces in the work area should be vacuumed and thoroughly cleaned daily for the duration of the sanding project. Vacuum filter bags should be changed frequently.
- Plastic drop cloths should be gathered up and disposed of along with any dust chips or other removal debris. They should be placed in sealed refuse receptacles and disposed of through regular trash pick-up procedures. During clean up, children and pregnant women should be kept away from the immediate work area.
- All toys, washable furniture and utensils used by children should be washed thoroughly before being used again.

##### Motor

Be sure your power supply agrees with nameplate marking. 120 Volts AC only means your tool will operate on standard 60 Hz household power. Do not operate AC tools on DC. A rating of 120 volts AC/DC means that your tool will operate on standard 60 Hz AC or DC power. This information is printed on the nameplate. Lower voltage will cause loss of power and can result in over-heating. All Black & Decker tools are factory-tested; if this tool does not operate, check the power supply.

##### Use of Extension Cords

Make sure the extension cord is in good condition before using. Always use the proper size extension cords with the tool – that is, proper wire size for various lengths of cord and heavy enough to carry the current the tool will draw. Use of an undersized cord will cause a drop in line voltage resulting in loss of power and overheating. For proper size cords see chart below.

Volts	Minimum Gage for Cord Sets			
	Total Length of Cord in Feet			
120V	0-25	26-50	51-100	101-150
	(0-7,6m)	(7,6-15,2m)	(15,2-30,4m)	(30,4-45,7m)
240V	0-50	51-100	101-200	201-300
	(0-15,2m)	(15,2-30,4m)	(30,4-60,9m)	(60,9-91,4m)
Ampere Rating		American Wire Gage		
More Than	Not more Than			
0 - 6	18	16	16	14
6 - 10	18	16	14	12
10 - 12	16	16	14	12
12 - 16	14	12	Not Recommended	

SAVE THESE INSTRUCTIONS

### Adjustments

⚠ **WARNING:** To prevent accidental operation, turn off and unplug sander before performing the following operations. Failure to do this could result in serious personal injury.

#### 3 Position Handle - Figure 1 & 1A

A locking mechanism on the side of the handle can be loosened to allow the handle to move. To adjust the handle, pull out on the locking arm (Figure 1) and move the handle to the desired position (Figure 1A). Once the handle is in position, push the locking arm in to lock the handle into position.

#### 2 Position Belt Cover - Figure 2 & 3

The belt sander has an aluminum sanding belt cover at the front. When the handle is positioned in the uppermost position, this cover can be raised as shown in Figure 2 (Arrow 1) and locked in this position to:

- Improve accessibility to narrow areas.
- Allow the use of the smaller diameter front roller to sand with (normally the aluminum cover prevents this when in the "down" position).
- Expose the top part of the belt for more versatile sanding (Figure 3).

To lower the belt cover, grasp the flange on the side and move it slightly in the direction shown in Figure 2 (Arrow 2) and return it to its closed position.

**Note:** The sanding belt cover cannot be locked in its raised position unless the bail handle is in the uppermost position.

⚠ **WARNING:** The sanding belt is exposed when the belt cover is raised. Use extra caution when operating in this mode.

#### Adjusting The Sanding Belt Tracking - Figure 4

Turn the machine upside down (Figure 4), hold it firmly with one hand, start motor and release switch immediately after observing tracking of sanding belt. If abrasive belt runs outward, turn tracking adjustment knob clockwise and counterclockwise if belt runs inward. Belt life will be greatly increased by keeping the tracking adjustment set properly. To prevent the sanding belt from rubbing against the sander housing, keep the edge of the belt about 7/64" (2.7mm) to 13/64" (5.1mm) from the housing as shown in figure 4.

#### Changing The Sanding Belt - Figure 5 & 6

⚠ **WARNING:** To prevent accidental operation, turn off and unplug sander before changing the sanding belt.

Pull the lever shown in Figure 5 to release the tension on the sanding belt. Pull the sanding belt from the two rollers. Put the new 3" x 21" (75 x 533mm) sanding belt in position on the front and rear rollers (Figure 6). Ensure that the arrows on the sanding belt and on your belt sander are pointing in the same direction. Push the lever to the rear to tension the sanding belt. ⚠ **WARNING:** To reduce the risk of injury, make sure belt is installed with arrows in proper direction of rotation. Failure to do this could result in the belt unraveling creating a hazardous condition.

#### Dust Collection - Figure 7

⚠ **WARNING:** To prevent accidental operation, turn off and unplug sander before installing the dust bag.

When using your belt sander, dust and grit are produced. It is important to use a dust bag. Connect the dust bag by sliding the plastic opening of the bag down over the dust exhaust port of the sander as shown in Figure 7. To empty the dust bag, remove it from the sander and unzip the bag over a trash container.

**Note:** A vacuum cleaner attachment is available as a service part at extra cost. To find your nearest Black & Decker Service Center location, refer to the yellow pages directory under "Tools—Electric" or call: 1-800-54-HOW-TO (544-6986).

⚠ **WARNING:** Fire hazard. Collected sanding dust from sanding surface coatings (polyurethane, linseed oil, etc.) can self-ignite in sander dust bag or elsewhere and cause fire. To reduce risk, empty bag frequently and strictly follow sander manual and coating manufacturer's instructions.

⚠ **WARNING:** Fire hazard. When sanding wood that could contain nails or when sanding metal surfaces, do not use the dust bag or a vacuum cleaner because sparks are generated. Wear safety glasses and a dust mask. Due to the danger of fire, do not use your belt sander to sand magnesium surfaces. Do not use for wet sanding.

### Operation

#### Using Your Belt Sander - Figure 8

Always hold belt sander firmly with both hands while sanding as shown in Figure 8. Note that sander bail handle can be adjusted to three different positions as previously discussed. **Inversion Stand** - An inversion stand is available for this belt sander from your nearest Black & Decker service center as service part number 478700-00. The inversion stand allows the belt sander to be used like a small stationary sander for horizontal sanding.

**Sanding Frame** - A sanding frame as service part number 478705-00. A sanding frame allows for smooth even sanding without gouging.

If you need assistance in locating either of the above service parts, please call 1-800-54-HOW-TO (544-6986).

#### Inversion Stand Warnings:

⚠ **WARNING:** Severe abrasion hazard.

- Avoid contacting the rotating belt on the inversion stand with fingers or hands.
- Never use the belt sander in an inverted position without the inversion stand specifically designed for this product.
- Be sure the belt sander is turned off and not attached to a power source while attaching to inversion stand. Before re-connecting the tool, depress and release the trigger switch to ensure that the tool is off.
- When sanding with the belt sander in the inversion stand, hold wood or material being sanded firmly during operation. The belt may pull the material away from you resulting in injury.

#### Switch - Figure 9 & 10

To start your belt sander, depress the on/off switch as shown in Figure 9. To stop your belt sander release the on/off switch. For continuous operation, depress the on/off switch then depress the lock-on button (Figure 10) and release the on/off switch. To stop your belt sander, depress the on/off switch to release the lock-on button. Release the on/off switch.

#### Handy Hints

- Always start your belt sander before it is in contact with the workpiece and do not switch it off until after it has been lifted from the workpiece.
- Always hold your belt sander with two hands.
- Where possible, clamp the workpiece to a work bench or similar sturdy surface.
- Use the correct grit sanding belt for your application. The following is a suggested list of belt grits to use with different materials.

MATERIAL	BELT GRIT
Solid Wood	80
Veneer	150
Chipboard	60/80
Plastics	100
Steel	80 (remove dust bag)
Paint Removal	40/60
Balsa Wood	100
Acrylic	100

#### Tool Care And Maintenance

Never apply excessive force when you use your belt sander. Too much force can result in an overload and cause damage to the motor or the workpiece. If your belt sander becomes too hot, operate it without load for 2 minutes. Always keep the air cooling vents clear. To clean your belt sander, proceed as follows:

⚠ **WARNING:** To prevent accidental operation, turn off and unplug sander before performing the following operations. Failure to do this could result in serious personal injury.

- Use a clean dry paint brush to clear vents and ducts.
  - Clean the housings using a clean damp cloth (do not use solvents, gas or turpentine.)
- IMPORTANT:** To assure product SAFETY and RELIABILITY, repairs, maintenance and adjustment should be performed by authorized service centers or other qualified service personnel, always using identical replacement parts.

#### TROUBLESHOOTING

Problem	Possible Cause	Possible Solution
• Unit will not start.	• Cord not plugged in.	• Plug tool into a working outlet.
	• Circuit fuse is blown.	• Replace circuit fuse. (If the product repeatedly causes the circuit fuse to blow, discontinue use immediately and have it serviced at a Black & Decker service center or authorized servicer.)
	• Circuit breaker is tripped.	• Reset circuit breaker. (If the product repeatedly causes the circuit breaker to trip, discontinue use immediately and have it serviced at a Black & Decker service center or authorized servicer.)
	• Cord or switch is damaged.	• Have cord or switch replaced at Black & Decker Service Center or Authorized Servicer.

For assistance with your product, visit our website [www.blackanddecker.com](http://www.blackanddecker.com) for the location of the service center nearest you or call the BLACK & DECKER help line at 1-800-544-6986.

#### Accessories

Use only 3" x 21" (75 x 533mm) sanding belts. Recommended accessories for use with your tool are available at extra cost from your local dealer or authorized service center. If you need assistance in locating any accessory for your tool, please call 1-800-54-HOW-TO (544-6986).

⚠ **CAUTION:** The use of any other accessory not recommended for use with this tool could be hazardous.

## Service Information

Black & Decker offers a full network of company-owned and authorized service locations throughout North America. All Black & Decker Service Centers are staffed with trained personnel to provide customers with efficient and reliable power tool service.

Whether you need technical advice, repair, or genuine factory replacement parts, contact the Black & Decker location nearest you. To find your local service location, refer to the yellow pages directory under "Tools—Electric" or call: **1-800-54-HOW-TO (544-6986)**.

## Full Two-Year Home Use Warranty

Black & Decker (U.S.) Inc. warrants this product for two years against any defects in material or workmanship. The defective product will be replaced or repaired at no charge in either of two ways.

The first, which will result in exchanges only, is to return the product to the retailer from whom it was purchased (provided that the store is a participating retailer). Returns should be made within the time period of the retailer's policy for exchanges (usually 30 to 90 days after the sale). Proof of purchase may be required. Please check with the retailer for their specific return policy regarding returns that are beyond the time set for exchanges.

The second option is to take or send the product (prepaid) to a Black & Decker owned or authorized Service Center for repair or replacement at our option. Proof of purchase may be required. Black & Decker owned and authorized Service Centers are listed under "Tools-Electric" in the yellow pages of the phone directory.

This warranty does not apply to accessories. This warranty gives you specific legal rights and you may have other rights which vary from state to state. Should you have any questions, contact the manager of your nearest Black & Decker Service Center. This product is not intended for commercial use.

**FREE WARNING LABEL REPLACEMENT:** If your warning labels become illegible or are missing, call 1-800-544-6986 for a free replacement.

Black & Decker (U.S.) Inc.,  
701 E. Joppa Rd.  
Towson, MD 21286 U.S.A.



BlackandDecker.com  
1-800-544-6986

See 'Tools-Electric'  
- Yellow Pages -  
for Service & Sales



# MODE D'EMPLOI

## PONCEUSE À COURROIE DE 75 MM SUR 533 MM (3 PO SUR 21 PO)

N° de catalogue DS321

MERCI D'AVOIR CHOISI BLACK & DECKER !  
VISITEZ [WWW.BLACKANDECKER.COM/NEUOWNER](http://WWW.BLACKANDECKER.COM/NEUOWNER)  
POUR ENREGISTRER VOTRE NOUVEAU PRODUIT.

AVANT DE RETOURNER CE PRODUIT POUR QUELQUE  
RAISON QUE CE SOIT, COMPOSER LE  
**1-800-544-6986**

AVANT D'APPELER, AYEZ EN MAIN LE N° DE CATALOGUE ET LE CODE DE DATE. DANS LA PLUPART DES

CAS, UN REPRÉSENTANT DE BLACK & DECKER PEUT RÉSOUDRE LE PROBLÈME PAR

TÉLÉPHONE. SI VOUS AVEZ UNE SUGGESTION OU UN COMMENTAIRE, APPELEZ-NOUS. VOS

IMPRESSIONS SONT CRUCIALES POUR BLACK & DECKER.

## IMPORTANT RENSEIGNEMENTS :

- Toujours soulever la ponceuse de la surface à poncer avant de la mettre en marche et de l'arrêter.
- Toujours tenir la ponceuse avec les deux mains.

## CONSERVER CE MANUEL POUR UN USAGE ULTÉRIEUR.

### ⚠ RÈGLES DE SÉCURITÉ CONCERNANT LES OUTILS À PILE – GÉNÉRALITÉS

⚠ **AVERTISSEMENT :** Lire, comprendre et suivre toutes les directives précisées ci-dessous, y compris les consignes de sécurité, afin d'éviter les risques de choc électrique, d'incendie ou de blessure grave.

### CONSERVER LE PRÉSENT GUIDE À TITRE DE RÉFÉRENCE

#### Aire de travail

- L'aire de travail doit être propre et bien éclairée. Les établis encombrés et les endroits sombres peuvent entraîner des accidents.
- Ne pas faire fonctionner des outils électriques dans des atmosphères explosives, comme en présence de liquides, de gaz et de poussières inflammables. Les outils électriques produisent des étincelles qui peuvent enflammer la poussière ou les vapeurs.
- Tenir les enfants, les visiteurs ou toute autre personne à l'écart lorsqu'on utilise un outil électrique; les distractions peuvent faire perdre la maîtrise de ce dernier.

#### Mesures de sécurité – Électricité

- Les outils à double isolation comportent une fiche polarisée (une lame plus large que l'autre). La fiche n'entre que d'une façon dans une prise polarisée. Lorsque la fiche n'entre pas à fond dans la prise, essayer de nouveau après avoir inversé les broches de la fiche. Si la fiche n'entre toujours pas dans la prise, communiquer avec un électricien certifié afin de faire installer une prise polarisée. Ne modifier en aucune façon la fiche. La double isolation élimine le besoin d'un cordon trifilaire mis à la terre et d'un système d'alimentation mis à la terre.
- Éviter de toucher à des surfaces mises à la terre comme des tuyaux, des radiateurs, des cuisinières et des réfrigérateurs. Les risques de secousses électriques sont plus élevés si le corps de l'utilisateur est mis à la terre.
- Protéger les outils électriques de la pluie ou des conditions mouillées. Une infiltration d'eau dans l'outil augmente les risques de secousses électriques.
- Manipuler le cordon avec soin. Ne jamais se servir du cordon afin de transporter l'outil ni tirer sur le cordon pour débrancher l'outil. Éloigner le cordon des sources de chaleur, des flaques d'huile, des arêtes tranchantes et des pièces mobiles. Remplacer immédiatement les cordons endommagés. Les cordons endommagés augmentent les risques de secousses électriques.
- Lorsqu'on utilise un outil électrique à l'extérieur, se servir d'un cordon de rallonge prévu pour l'extérieur, portant la mention "W-A" ou "W". Ces cordons sont conçus pour servir à l'extérieur et minimisent les risques de secousses électriques.

#### Sécurité personnelle

- Rester vigilant en tout temps et faire preuve de jugement lorsqu'on utilise un outil électrique; ne pas utiliser l'outil lorsqu'on est fatigué ou sous l'influence de drogues, d'alcool ou de médicaments, car un moment d'inattention pourrait entraîner des blessures graves.
- Porter des vêtements appropriés. Ne pas porter des vêtements amples ou des bijoux. Couvrir ou attacher les cheveux longs. Garder les cheveux, les vêtements, les bijoux et les gants éloignés des pièces mobiles, car ceux-ci peuvent s'y coincer. Se tenir éloigné des événements puisque ces derniers pourraient camoufler des pièces mobiles.
- Éviter les démarrages accidentels; s'assurer que l'interrupteur est en position d'arrêt avant de brancher l'outil. Ne pas transporter l'outil en laissant le doigt sur l'interrupteur ni le brancher lorsque l'interrupteur est en position de marche, car cela pourrait causer un accident.

- Retirer les clés de réglage avant de démarrer l'outil. Une clé laissée sur une pièce rotative pourrait entraîner des blessures.
- Ne pas trop étendre les bras; les pieds doivent rester ancrés fermement au sol afin de maintenir son équilibre en tout temps et de mieux maîtriser l'outil dans des situations imprévues.
- Utiliser le matériel de sécurité approprié; toujours porter des lunettes de protection. Porter un masque anti-poussières, des chaussures antidérapantes, un casque de sécurité ou des protecteurs auditifs lorsque la situation le requiert.

#### Utilisation et entretien de l'outil

- Fixer et soutenir la pièce sur une plate-forme stable au moyen d'une bride de serrage ou de tout autre dispositif semblable. La pièce est instable lorsqu'on la retient manuellement ou qu'on l'appuie contre le corps, ce qui pourrait faire perdre la maîtrise de l'outil.
- Ne pas forcer l'outil ni l'utiliser pour des travaux autres que ceux pour lesquels il a été conçu. Pour obtenir de meilleurs résultats et prévenir les risques de blessure, laisser l'outil couper à la vitesse pour laquelle il a été conçu.
- Ne pas utiliser l'outil lorsque l'interrupteur marche-arrêt ne fonctionne pas. Tout outil qui ne peut être commandé au moyen de l'interrupteur est dangereux et doit être réparé.
- Déconnecter le bloc-piles de l'outil ou placer l'interrupteur en position d'arrêt ou de verrouillage avant d'effectuer tout réglage, changement d'accessoires, ou de ranger l'outil. Ces mesures de sécurité préventives réduisent les risques de démarrage accidentel.
- Lorsqu'on n'utilise pas l'outil, le ranger hors de la portée des enfants ou des personnes non qualifiées. Les outils sont dangereux entre les mains de personnes inexpérimentées.
- Lorsqu'on n'utilise pas le bloc-piles, le ranger à l'écart des objets métalliques tels que les trombones, les pièces de monnaie, les clés, les clous, les vis ou autres petits objets susceptibles de conduire l'électricité entre les bornes et d'occasionner ainsi un court-circuit pouvant provoquer des étincelles, des brûlures ou un incendie.
- Bien entretenir l'outil; s'assurer qu'il est toujours bien propre et aiguisé. Les outils bien entretenus et dont les bords sont bien tranchants sont moins susceptibles de rester coincés et sont plus faciles à maîtriser.
- Vérifier les pièces mobiles afin de s'assurer qu'elles sont bien alignées et qu'elles ne restent pas coincées. Vérifier également les pièces afin de s'assurer qu'il n'y a aucun bris ni aucune autre condition susceptible de nuire au bon fonctionnement de l'outil. Faire réparer l'outil si ce dernier est endommagé avant de s'en servir à nouveau, car les accidents sont souvent causés par des outils mal entretenus.
- N'utiliser que les accessoires recommandés par le fabricant pour le modèle concerné. Un accessoire destiné à un outil particulier peut devenir dangereux lorsqu'il est utilisé avec un autre.

#### Entretien

- L'outil doit être entretenu par le personnel qualifié seulement; toute maintenance effectuée par une personne non qualifiée pourrait entraîner des risques de blessure.
- Lors de l'entretien, n'utiliser que des pièces de rechange identiques et suivre les directives précisées à la section « Entretien » du présent guide afin de prévenir les risques de choc électrique ou de blessure.

#### Consignes de sécurité particulières

- Tenir l'outil par les surfaces isolées prévues à cette fin lorsqu'il risque d'entrer en contact avec des fils cachés ou le cordon, car de tels contacts peuvent mettre les pièces métalliques de l'outil sous tension, engendrant des risques de choc électrique.
- Utiliser des brides de fixation ou un autre dispositif de fixation permettant de fixer solidement et de soutenir la pièce sur une plateforme stable. Tenir la pièce avec la main ou contre son corps la rend instable et risque de provoquer une perte de maîtrise de l'outil.
- ⚠ **AVERTISSEMENT :** Certains outils électriques, tels que les sableuses, les scies, les meules, les perceuses ou certains autres outils de construction, peuvent produire de la poussière contenant des produits chimiques susceptibles d'entraîner le cancer, des malformations congénitales ou pouvant être nocifs pour le système reproductif. Parmi ces produits chimiques, on retrouve :
  - le plomb dans les peintures à base de plomb,
  - la silice cristalline dans les briques et le ciment et autres produits de maçonnerie,
  - l'arsenic et le chrome dans le bois de sciage ayant subi un traitement chimique (comme l'arséniate de cuivre et de chrome).

Le risque associé à de telles expositions varie selon la fréquence avec laquelle on effectue ces travaux. Pour réduire l'exposition à de tels produits, il faut travailler dans un endroit bien aéré et utiliser le matériel de sécurité approprié, tel un masque anti-poussières spécialement conçu pour filtrer les particules microscopiques.

- Éviter tout contact prolongé avec la poussière soulevée par cet outil ou autres outils électriques. Porter des vêtements de protection et nettoyer les parties exposées du corps à l'eau savonneuse. S'assurer de bien se protéger afin d'éviter d'absorber par la bouche, les yeux ou la peau des produits chimiques nocifs.

⚠ **AVERTISSEMENT :** Cet outil peut produire et répandre de la poussière susceptible de causer des dommages sérieux et permanents au système respiratoire. Toujours utiliser un appareil respiratoire anti-poussières approprié approuvé par le NIOSH ou l'OSHA. Diriger les particules dans le sens opposé du visage et du corps.

⚠ **MISE EN GARDE :** Porter un appareil de protection personnel anti-bruit approprié durant l'utilisation. Sous certaines conditions et pendant toute la durée de l'utilisation, le bruit émanant de ce produit pourrait contribuer à la perte d'audition.

#### LIGNES DIRECTRICES EN MATIÈRE DE SÉCURITÉ - DÉFINITIONS

Il est important que vous lisiez et compreniez ce mode d'emploi. Les informations qu'il contient concernent VOTRE SÉCURITÉ et visent à ÉVITER TOUT PROBLÈME. Les symboles ci-dessous servent à vous aider à reconnaître cette information.

⚠ **DANGER :** Indique une situation dangereuse imminente qui, si elle n'est pas évitée, causera la mort ou des graves blessures.

⚠ **AVERTISSEMENT :** Indique une situation potentiellement dangereuse qui, si elle n'est pas évitée, pourrait causer la mort ou de graves blessures.

⚠ **MISE EN GARDE :** Indique une situation potentiellement dangereuse qui, si elle n'est pas évitée, pourrait causer des blessures mineures ou modérées.

**MISE EN GARDE :** Utilisé sans le symbole d'alerte à la sécurité, indique une situation potentiellement dangereuse qui, si elle n'est pas évitée, peut résulter en des dommages à la propriété.

L'étiquette apposée sur l'outil peut afficher les symboles suivants.

V .....	volts	A .....	ampères
Hz .....	hertz	W .....	watts
min .....	minutes	~ .....	courant alternatif
==== .....	courant continu	no .....	aucune option à vide
.....	construction de classe II	.....	borne de terre
.....	symbole d'avertissement	/min .....	tours ou mouvements alternatifs par minute

#### ⚠ Mesures de sécurité : Ponceuses

- TOUJOURS PORTER DES LUNETTES DE PROTECTION ET UN APPAREIL RESPIRATOIRE ANTIPOUSSIÈRE PENDANT LE PONÇAGE.
- Nettoyer l'outil régulièrement.

#### ⚠ Autres mesures de sécurité importantes Ponçage Peinture à base de plomb

IL N'EST PAS RECOMMANDÉ de poncer de la peinture à base de plomb puisqu'il est difficile d'en maîtriser la poussière contaminée. Ce genre de ponçage présente de sérieux risques d'empoisonnement au plomb pour les femmes enceintes et les enfants. Puisqu'il est difficile de déterminer si la peinture renferme du plomb sans en faire une analyse chimique, il est conseillé de se conformer aux mesures suivantes lors du ponçage de tout type de peinture.

#### Sécurité personnelle

- Ne laisser aucun enfant ni aucune femme enceinte entrer dans la pièce où il y a ponçage de peinture jusqu'à ce que la pièce soit nettoyée.
- Toute personne qui entre dans l'aire de travail doit porter un masque anti-poussière ou un appareil respiratoire; le filtre doit être remplacé chaque jour ou lorsque la respiration devient difficile
- REMARQUE :** seuls les masques qui protègent contre les poussières et les émanations de plomb doivent être utilisés, car les masques ordinaires n'offrent pas la protection voulue. Consulter le quincaillier local pour obtenir un masque approuvé par le NIOSH (National Institute of Occupational Health and Safety).

• **IL EST DÉCONSEILLÉ DE MANGER, DE BOIRE ET DE FUMER** dans la pièce de travail afin de ne pas ingérer de particules contaminées. L'utilisateur doit se laver et se nettoyer AVANT de manger, de boire ou de fumer. Il ne faut pas laisser dans la pièce de travail de la nourriture, des boissons ou des cigarettes car de la poussière pourrait se déposer sur ces articles.

#### Protection de l'environnement

- Il faut enlever la peinture de manière à produire un minimum de poussière.
- Il faut sceller la zone de travail à l'aide de feuilles de plastique d'une épaisseur minimale de 4 mils.
- Il faut poncer de façon à réduire la propagation de la poussière hors de la pièce de travail.

#### Nettoyage et déchets

- Il faut bien aspirer toutes les surfaces de la pièce de travail et les nettoyer à fond chaque jour pendant la durée des travaux. Il faut remplacer fréquemment le filtre de l'aspirateur.
- Ramasser les feuilles de plastique et les jeter avec la poussière et les autres débris dans des contenants étanches à placer avec les ordures ménagères pour l'enlèvement. Tenir les enfants et les femmes enceintes à l'écart de la zone de travail pendant les travaux de nettoyage.
- Il faut nettoyer à fond les jouets, les meubles et les ustensiles des enfants avant de les utiliser de nouveau.

#### Moteur

S'assurer que l'intensité nominale du cordon d'alimentation correspond à celle indiquée sur la plaque signalétique; sur cette dernière, la mention « 120 V c.a. » signifie que l'outil ne doit être branché que dans une prise résidentielle standard de courant alternatif de 60 Hz et non pas dans une prise de courant continu, alors que « 120 V c.a. / c.c. » signifie que l'outil peut fonctionner sur une prise standard de 60 Hz de courant alternatif ou continu. Ces renseignements sont indiqués sur la plaque signalétique. Une tension inférieure à celle indiquée pourrait entraîner une perte de puissance et une surchauffe. Tous les outils Black & Decker sont soumis à des essais en usine; si cet outil ne fonctionne pas, on doit d'abord vérifier l'intensité nominale du cordon d'alimentation.

#### Cordons de rallonge

S'assurer que le cordon de rallonge est en bon état avant de s'en servir. Toujours utiliser un cordon de calibre approprié à l'outil; à savoir, le calibre approprié selon différentes longueurs de rallonge et fournissant la tension nécessaire à l'outil. L'utilisation d'un cordon de calibre inférieur entraîne une baisse de tension et la surchauffe de l'outil. Consulter le tableau plus bas pour connaître le calibre approprié des rallonges.

Calibre minimal des cordons de rallonge					
Tension	Longueur totale du cordon en pieds				
120V	0-25	26-50	51-100	101-150	
	(0-7,6m)	(7,6-15,2m)	(15,2-30,4m)	(30,4-45,7m)	
240V	0-50	51-100	101-200	201-300	
	(0-15,2m)	(15,2-30,4m)	(30,4-60,9m)	(60,9-91,4m)	
Intensité (A)					
Au moins	Au plus	Calibre moyen des fils (AWG)			
0	- 6	18	16	16	14
6	- 10	18	16	14	12
10	- 12	16	16	14	12
12	- 16	14	12	Non recommandé	

### CONSERVER CES DIRECTIVES

#### Réglages

⚠ **AVERTISSEMENT** : Afin d'éviter une fausse manoeuvre, arrêter et débrancher la ponceuse avant d'effectuer les opérations suivantes. Le non-respect de cette consigne pourrait entraîner des risques de blessure.

#### Poignée à trois positions - Figures 1 et 1A

Un mécanisme de verrouillage installé sur le côté de la poignée peut être desserré afin de permettre le déplacement de la poignée. Pour ajuster celle-ci, tirer et sortir le bras de calage (**figure 1**) et déplacer la poignée jusqu'à la position voulue (figure 1A). Une fois la poignée en place, pousser et rentrer le bras de calage afin de verrouiller la poignée dans cette position.

#### Couvercle de courroie à deux positions - Figures 2 et 3

La ponceuse est munie d'un couvercle de courroie en aluminium, situé sur le devant de l'outil. On peut soulever le couvercle en plaçant la poignée dans la position la plus élevée, tel qu'illustré à la **figure 2 (flèche 1)**. On peut aussi le verrouiller dans cette position afin :

- de rendre les endroits serrés plus accessibles;
- de permettre d'effectuer le ponçage avec un galet avant de plus petit diamètre (normalement, cette opération est impossible à effectuer lorsque le couvercle en aluminium est orienté vers le bas);
- d'exposer la partie supérieure de la courroie afin de rendre le ponçage plus polyvalent (figure 3).

**Pour abaisser le couvercle de courroie, saisir la bride d'un côté et la déplacer légèrement dans le sens indiqué à la figure 2 (flèche 2), puis la remettre en position fermée.**

**Remarque** : Le couvercle ne peut pas être verrouillé lorsqu'il est soulevé, sauf lorsque la poignée de manoeuvre est placée dans la position la plus élevée.

⚠ **AVERTISSEMENT** : La courroie est exposée lorsque le couvercle est soulevé. Il faut donc être particulièrement attentif lorsqu'on utilise l'outil en ce mode.

#### Réglage du dispositif d'alignement de la courroie de ponçage - Figure 4

Tourner l'outil à l'envers (**figure 4**), en le tenant fermement d'une main, démarrer le moteur, puis relâcher immédiatement l'interrupteur après avoir vérifié l'alignement de la courroie. Le cas échéant, tourner le bouton de réglage vers la droite si la courroie semble tourner vers l'extérieur, et vers la gauche si elle semble se diriger vers l'intérieur.

On peut augmenter considérablement la durée de vie de la courroie en effectuant ce réglage avant chaque utilisation. Pour éviter que la courroie ponceuse frotte contre le boîtier de la ponceuse, maintenir les bords de la courroie entre 2,7mm (7/64 po) et 5,1 mm (13/64 po) du boîtier comme illustré en **figure 4**.

#### Remplacement de la courroie - Figures 5 et 6

⚠ **AVERTISSEMENT** : Afin d'éviter un démarrage intempestif, mettre la ponceuse hors circuit et la débrancher avant de remplacer la bande abrasive.

Tirer sur le levier illustré à la **figure 5** afin de détendre la courroie et la dégager des deux galets. Placer la courroie neuve sur les galets avant et arrière (**figure 6**) en s'assurant que la flèche de la courroie et celle de la ponceuse pointent dans la même direction. Pousser le levier vers l'arrière pour tendre la courroie. ⚠ **AVERTISSEMENT** : **Pour réduire le risque de blessure**, s'assurer que la courroie est insérée dans le bon sens de rotation suivant les flèches. Le non-respect de cette consigne pourrait se solder par un effilochage de la courroie, ce qui s'avérerait dangereux.

#### Dépoussiérage - Figure 7

⚠ **AVERTISSEMENT** : Afin d'éviter une fausse manoeuvre, arrêter et débrancher la ponceuse avant d'installer le sac à poussière.

La ponceuse produit de la poussière et des particules abrasives durant son fonctionnement; il est donc important d'y installer un sac à poussière. Pour ce faire, raccorder le sac en faisant glisser l'ouverture en plastique de ce dernier par-dessus l'orifice d'éjection de la ponceuse, tel qu'illustré à la figure 7. Pour vider le sac à poussière, le retirer de la ponceuse et l'ouvrir par-dessus une poubelle.

**Remarque** : Les accessoires de l'aspirateur sont vendus séparément. Pour trouver le centre de service Black & Decker le plus proche, consulter les pages jaunes sous la rubrique « Outils - Électriques» ou composer le **1 800 544-6986 (1-800-54-HOW-TO)**.

⚠ **AVERTISSEMENT** : **Risque d'incendie. La poussière accumulée par le ponçage des enduits de certaines surfaces (polyuréthane, huile de lin, etc.) peuvent prendre feu dans le sac à poussière de la ponceuse ou ailleurs et provoquer un incendie.** Pour réduire ce risque, vider fréquemment le sac et se conformer strictement aux directives du présent manuel et à celles du fabricant de l'enduit.

⚠ **AVERTISSEMENT** : **Risque d'incendie. Lors du ponçage de pièces de bois qui pourraient contenir des clous ou du ponçage de surfaces métalliques, ne pas utiliser un sac à poussière ou un aspirateur, car des étincelles seraient alors produites. Porter des lunettes de sécurité et un masque anti-poussières.** En raison du risque d'incendie, ne pas utiliser la ponceuse à courroie pour poncer des surfaces de magnésium. Ne pas utiliser pour poncer une surface mouillée.

#### Fonctionnement

##### Utilisation de la ponceuse à courroie - Figure 8

Toujours tenir fermement la ponceuse avec les deux mains lors du ponçage, tel qu'illustré à la **figure 8**. Il est à noter que la poignée de manoeuvre peut être réglée à trois positions différentes (voir ci-dessous).

**Support d'inversion**- Un support d'inversion est offert pour cette ponceuse à courroie au centre de réparation Black & Decker le plus près de chez vous. Demander la pièce no 478700-00. Grâce au support d'inversion, la ponceuse à courroie peut être utilisée comme

s'il s'agissait d'une petite ponceuse d'établi pour les travaux de ponçage à l'horizontal.
**Bâti de ponçage** - Un bâti de ponçage est offert, demander la pièce no 478705-00. Le bâti de ponçage permet un ponçage régulier et uniforme, sans formation de stries. En cas de difficulté à localiser l'une des pièces mentionnées ci-dessus, composer le **1 800-544-6986** pour de l'assistance.

#### Avertissements concernant le support d'inversion :

- ⚠ **AVERTISSEMENT** : **Danger d'éraflures graves.**
- Éviter de toucher, avec les doigts ou la main, la courroie en rotation du support d'inversion.
- Ne jamais utiliser la ponceuse à courroie en position inversée sans l'utilisation du support d'inversion spécifiquement conçu pour ce produit.
- S'assurer que la ponceuse à courroie est mise hors circuit et qu'elle n'est pas branchée à une source d'alimentation lors de l'installation du support d'inversion. Avant de rebrancher l'outil, enfoncer et relâcher la gâchette pour s'assurer que l'outil est hors circuit.
- Lors de l'utilisation de la ponceuse à courroie installée dans un support d'inversion, maintenir fermement le bois ou le matériau durant le travail de ponçage. La courroie pourrait arracher le matériau de vos mains et vous blesser par la même occasion.

#### Interrupteur - Figures 9 et 10

Pour mettre la ponceuse en marche, enfoncer l'interrupteur de marche-arrêt, tel qu'illustré à la **figure 9**; relâcher l'interrupteur pour l'arrêter. Pour un fonctionnement continu, appuyer sur l'interrupteur, puis enfoncer le bouton de verrouillage en position de marche (**figure 10**) et relâcher l'interrupteur. Pour arrêter la ponceuse, enfoncer l'interrupteur de marche-arrêt de manière à dégager le bouton de verrouillage en position de marche, et relâcher l'interrupteur.

#### Conseils pratiques

- Toujours soulever la ponceuse de la surface à poncer avant de la mettre en marche et de l'arrêter.
- Toujours tenir la ponceuse avec les deux mains.
- Dans la mesure du possible, fixer solidement la pièce à un établi ou sur une surface aussi solide.
- Choisir une courroie dont le grain convient aux travaux à effectuer. La liste suivante suggère quels numéros de grains utiliser selon le matériau à poncer :

MATÉRIAU	NO DE GRAIN
Bois massif	80
Placage	150
Aggloméré	60 / 80
Plastique	100
Acier	80 (retirer le sac à poussière)
Décapage de peinture	40 / 60
Balsa	100
Acrylique	100

#### Maintenance de l'outil

On ne doit jamais appliquer trop de force lorsqu'on utilise la ponceuse à courroie, car cela pourrait entraîner une surcharge et endommager le moteur ou la pièce. Si la ponceuse devient trop chaude, la faire fonctionner à vide pendant deux minutes. Toujours garder les événements de refroidissement dégagés. Nettoyer la ponceuse comme suit :

⚠ **AVERTISSEMENT** : **Afin d'éviter une fausse manoeuvre, arrêter et débrancher la ponceuse avant d'effectuer les opérations suivantes.** Le non-respect de cette consigne pourrait entraîner des risques de blessure.

- Dégager les événements et les conduits au moyen d'un pinceau sec et propre.
- Nettoyer l'extérieur au moyen d'un linge humide et propre (ne pas utiliser de solvant, d'essence ou de térébenthine).

**IMPORTANT** : Pour assurer la SÉCURITÉ et la FIABILITÉ de ce produit, toutes les opérations de réparation, d'entretien et de réglage doivent être effectuées dans un centre de service autorisé ou par du personnel qualifié; on ne doit utiliser que des pièces de rechange identiques.

### DÉPANNAGE

#### Problème

• L'appareil refuse de démarrer.

#### Cause possible

- Cordon d'alimentation non branché.
- Le fusible du circuit est grillé.

#### Solution possible

- Brancher l'outil dans une prise qui fonctionne.
- Remplacer le fusible du circuit. (Si le produit fait griller de façon répétée le fusible du circuit, arrêter immédiatement d'utiliser le produit et le faire réparer dans un centre de réparation Black & Decker ou un centre de réparation autorisé.)
- Remettre le disjoncteur à zéro . (Si le produit fait déclencher de façon répétée le disjoncteur, arrêter immédiatement d'utiliser le produit et le faire réparer dans un centre de réparation Black & Decker ou un centre de réparation autorisé.)
- Faire remplacer le cordon ou l'interrupteur au centre de réparation Black & Decker ou à un centre de réparation autorisé.

- Le disjoncteur est déclenché.

- Le cordon d'alimentation ou la prise de courant est endommagé(e).

Pour obtenir de l'aide avec l'outil, consulter notre site Web **www.blackanddecker.com** pour l'emplacement du centre de réparation le plus près ou communiquer avec l'assistance **BLACK & DECKER** au **1-800-544-6986**.

#### Accessoires

N'utiliser que des courroies de 75 x 533 mm (3 x 21 po). Les accessoires recommandés pour cet outil sont vendus séparément chez les dépositaires locaux ou les centres de service autorisés. Pour obtenir plus d'information sur les accessoires, composer le **1-800-544-6986**.

⚠ **AVERTISSEMENT** : l'usage d'un accessoire non recommandé peut présenter un danger.

#### Information sur les services

Black & Decker dispose d'un réseau complet composé de centres de service et de centres autorisés situés partout en Amérique du Nord. Tous les centres de service Black & Decker sont dotés de personnel qualifié en matière d'outillage électrique; ils sont donc en mesure d'offrir à leur clientèle un service efficace et fiable. Pour obtenir un conseil technique ou une pièce d'origine ou pour faire réparer un outil, on peut communiquer avec le centre Black & Decker le plus près. Pour obtenir le numéro de téléphone, consulter les pages jaunes sous la rubrique "Outils - électriques" ou composer le **1 800 544-6986 (1-800-54-HOW-TO)**.

##### Garantie complète de deux ans pour usage résidentiel

Black & Decker (U.S.) Inc. garantit ce produit pour une période de deux ans contre tout défaut de matériel ou de fabrication. Le produit défectueux sera remplacé ou réparé sans frais, suivant l'une des deux méthodes suivantes.

La première méthode consiste en un échange seulement. On doit retourner le produit au détaillant qui l'a vendu (pourvu qu'il s'agisse d'un détaillant participant), en respectant les délais stipulés dans sa politique relative aux échanges (normalement de 30 à 90 jours après la vente). Une preuve d'achat peut être requise. On doit vérifier la politique de retour du détaillant pour tout produit retourné après le délai prescrit pour les échanges.

La deuxième méthode consiste à apporter ou à envoyer le produit (prépayé) à un centre Black & Decker ou à un centre de service autorisé aux fins de réparation ou de remplacement, selon notre choix. Une preuve d'achat peut être requise. Les centres Black & Decker et les centres de service autorisés sont répertoriés dans les pages jaunes sous la rubrique «Outils - électriques».

Cette garantie ne s'applique pas aux accessoires. Elle confère des droits légaux particuliers à l'acheteur, mais celui-ci pourrait aussi bénéficier d'autres droits variant d'un territoire à l'autre. Toute question doit être adressée au gérant du centre Black & Decker le plus près.

Ce produit n'est pas destiné à un usage commercial.

**REPLACEMENT GRATUIT DE L'ÉTIQUETTE D'AVERTISSEMENT** : En cas de perte ou d'endommagement des étiquettes d'avertissement, composer le **1 800 544-6986** afin d'en obtenir de nouvelles sans frais.

Imported by / Importé par  
Black & Decker Canada Inc.  
100 Central Ave.  
Brockville (Ontario) K6V 5W6

Voir la rubrique "Outils électriques"  
des Pages Jaunes  
pour le service et les ventes.



# LIJADORA DE BANDA DE 75 X 533 MM (3 X 21 PULG.)

## MANUAL DE INSTRUCCIONES

Catálogo N° DS321

¡GRACIAS POR ELEGIR BLACK & DECKER!

VAYA A [WWW.BLACKANDDECKER.COM/NEWOWNER](http://WWW.BLACKANDDECKER.COM/NEWOWNER)

PARA REGISTRAR SU NUEVO PRODUCTO.

ANTES DE DEVOLVER ESTE PRODUCTO POR  
CUALQUIER MOTIVO, LLAME AL

**(55)5326-7100**

ANTES DE LLAMAR, TENGA EL NÚMERO DE CATÁLOGO Y EL CÓDIGO DE FECHA PREPARADOS. EN LA MAYORÍA DE LOS CASOS, UN REPRESENTANTE DE BLACK & DECKER PUEDE RESOLVER EL PROBLEMA POR TELÉFONO. SI DESEA REALIZAR UNA SUGERENCIA O COMENTARIO, LLÁMENOS. SU OPINIÓN ES FUNDAMENTAL PARA BLACK & DECKER.

### INFORMACIÓN CLAVE QUE DEBE CONOCER:

- Siempre arranque la lijadora de banda antes de que entre en contacto con la pieza de trabajo y no la apague hasta que la haya levantado de la pieza de trabajo.
- Siempre sostenga su lijadora de banda con ambas manos.

### CONSERVE ESTE MANUAL PARA FUTURAS CONSULTAS.

#### ⚠ Instrucciones de seguridad generales

⚠ **ADVERTENCIA:** Lea todas las instrucciones hasta comprenderlas. No ajustarse a las instrucciones siguientes puede ser causa de choque eléctrico, incendio o lesiones graves.

#### GUARDE ESTE MANUAL PARA FUTURAS CONSULTAS

#### Área de trabajo

- Mantenga el área de trabajo limpia y bien iluminada. Las bancadas desordenadas y las zonas oscuras propician los accidentes.
- No opere herramientas eléctricas en atmósferas explosivas, como en presencia de líquidos, gases o polvos inflamables. Las herramientas eléctricas producen chispas que pueden originar la ignición del polvo o los vapores.
- Mientras opere una herramienta eléctrica, mantenga lejos a los observadores, niños y visitantes. Las distracciones pueden ocasionar que pierda el control.

#### Seguridad eléctrica

- Las herramientas con doble aislamiento están equipadas con una clavija polarizada (con una pata más ancha que la otra.) Esta clavija se acoplará únicamente en una toma de corriente polarizada de una manera. Si la clavija no se acopla al contacto, inviértala. Si aún así no se ajusta, comuníquese con un electricista calificado para que le instalen una toma de corriente polarizada apropiada. El doble aislamiento  elimina la necesidad de cables con tres hilos y sistemas de alimentación con conexión a tierra.
- Evite el contacto corporal con superficies aterrizadas tales como tuberías, radiadores, hornos y refrigeradores. Hay un gran riesgo de choque eléctrico si su cuerpo hace tierra.
- No exponga las herramientas eléctricas a la lluvia o a condiciones de mucha humedad. El agua que se introduce en las herramientas aumenta el riesgo de descargas eléctricas.
- No maltrate el cable. Nunca tome el cable para transportar una herramienta ni para desconectarla de la toma de corriente. Consérvelo alejado de calor, aceite, bordes afilados o piezas móviles. Cambie inmediatamente los cables dañados. Los cables dañados aumentan el riesgo de choque eléctrico.
- Cuando opere una herramienta eléctrica a la intemperie, utilice una extensión marcada "W-A" o "W". Estas extensiones están clasificadas para uso a la intemperie y para reducir el riesgo de choques eléctricos.

#### Seguridad personal

- Al utilizar una herramienta eléctrica, esté atento, concéntrese en lo que hace y aplique el sentido común. No utilice la herramienta si se encuentra fatigado o bajo la influencia de drogas, alcohol o fármacos. Mientras se utilizan herramientas eléctricas, basta un instante de distracción para sufrir lesiones graves.
- Lleve ropa adecuada. No utilice ropa suelta ni joyas. Recójase el cabello largo. Mantenga el cabello, la ropa y los guantes apartados de las piezas en movimiento. Las partes móviles pueden atrapar las prendas de vestir sueltas, las joyas y el cabello. Los orificios de ventilación suelen cubrir piezas en movimiento, por lo que también se deben evitar.
- Evite puestas en marcha accidentales. Asegúrese de que el interruptor esté apagado antes de enchufar la máquina. Transportar las herramientas con el dedo sobre el interruptor o enchufarlas con el interruptor encendido favorece los accidentes.
- Antes de poner en marcha la herramienta, retire las llaves de ajuste. Una llave que se deje en una pieza giratoria de la herramienta puede provocar lesiones.
- No ponga en peligro su estabilidad. Manténgase siempre bien apoyado y equilibrado. Un buen apoyo y equilibrio permiten controlar mejor la herramienta si se produce algún imprevisto.
- Utilice el equipo de seguridad. Lleve siempre lentes protectores. Cuando sea adecuado, también se debe usar mascarilla antipolvo, zapatos de suela antideslizante, casco o protectores auditivos.

#### Uso y cuidados de la herramienta

- Utilice abrazaderas u otro elemento adecuado para sujetar y apoyar la pieza de trabajo en una plataforma estable. Sujetar la pieza con la mano o contra el cuerpo es inestable y facilita la pérdida de control.
- No fuerce la herramienta. Emplee la herramienta correcta para cada aplicación. La herramienta correcta hace el trabajo mejor y más seguro dentro del rango para el que ha sido diseñada.
- No utilice la herramienta si el interruptor no la enciende y apaga. Cualquier herramienta que no pueda controlarse con el interruptor es peligrosa y se debe reparar.
- Desconecte la unidad de alimentación de la herramienta o ponga el conmutador en posición de bloqueo o de apagado antes de realizar cualquier ajuste, cambiar accesorios o guardar la herramienta. Estas medidas de seguridad preventiva reducen el riesgo de poner en marcha la herramienta accidentalmente.
- Cuando no las utilice, guarde las herramientas fuera del alcance de los niños o de cualquier persona no capacitada. Las herramientas son peligrosas en manos de usuarios no capacitados.
- Cuando la unidad de alimentación no esté en uso, manténgala alejada de otros objetos metálicos tales como: sujetapapeles, monedas, llaves, clavos, tornillos u otros objetos metálicos pequeños que podrían generar una conexión entre sus terminales. Provocar un cortocircuito entre los terminales de la batería puede causar chispas, quemaduras o incendios.
- Cuides las herramientas. Conserve las herramientas de corte afiladas y limpias. Unas herramientas adecuadamente cuidadas y con los bordes de corte afilados se atascan menos y son más fáciles de controlar.
- Compruebe si las piezas móviles se desalinean o atascan, si hay alguna pieza rota o cualquier otra circunstancia que pueda afectar la operación de la herramienta. Si la herramienta está dañada, hágala reparar antes de usarla. Muchos accidentes los provocan unas herramientas mal cuidadas.

- Utilice únicamente los accesorios recomendados por el fabricante para su modelo. Un mismo accesorio puede ser adecuado para una herramienta, pero peligroso si se usa en otra.

#### Servicio

- El servicio a la herramienta sólo debe ser realizado por personal de reparación calificado. Si el servicio o mantenimiento es realizado por personal no calificado, podría resultar en riesgo de lesión.
- Cuando se repare una herramienta, sólo se deben usar repuestos originales. Siga las instrucciones en la sección de mantenimiento de este manual. El uso de repuestos no autorizados o el incumplimiento de las instrucciones de mantenimiento pueden crear un riesgo de descarga eléctrica o lesión.

#### Normas específicas de seguridad

- Sostenga la herramienta por sus superficies de empuñadura aisladas cuando realice una operación en la cual la herramienta para cortar pudiera entrar en contacto con instalaciones eléctricas ocultas o con su propio cable. El contacto con un cable cargado, cargará a su vez las partes metálicas expuestas de la herramienta y dará un golpe de corriente al operador.

- Utilice abrazaderas u otra forma práctica para asegurar y sostener la pieza de trabajo sobre una plataforma estable. Sostener el trabajo con la mano o contra el cuerpo no brinda la estabilidad requerida y puede llevar a la pérdida del control.

⚠ **ADVERTENCIA:** Parte del polvo generado al lijar, serrar, esmerilar y taladrar, así como al realizar otras actividades del sector de la construcción, contienen productos químicos que pueden producir cáncer, defectos congénitos u otras afecciones reproductivas. Ejemplos de esas sustancias químicas son:

- plomo procedente de pinturas a base de plomo,
- óxido de silicio cristalino procedente de ladrillos, cemento y otros productos de mampostería, y
- arsénico y cromo procedentes de madera tratada químicamente (CCA).

El peligro derivado de estas exposiciones que usted enfrente varía en función de la frecuencia con que se realice este tipo de trabajo. Para reducir la exposición a esas sustancias químicas: trabaje en una zona bien ventilada y llevando equipos de seguridad aprobados, como mascarillas antipolvo especialmente diseñadas para filtrar partículas microscópicas.

- Evite el contacto prolongado con el polvo procedente del lijado, serrado, esmerilado y taladrado eléctricos, así como de otras actividades del sector de la construcción. Lleve ropa protectora y lave con agua y jabón las zonas expuestas. Si permite que el polvo se introduzca en la boca u ojos o quede sobre la piel, puede favorecer la absorción de productos químicos peligrosos.

⚠ **ADVERTENCIA:** El uso de esta herramienta puede generar o dispersar polvo lo cual puede causar lesiones respiratorias serias y permanentes y otros tipos de lesión. Siempre use protección respiratoria aprobada por NIOSH/OSHA para la exposición al polvo. Dirija las partículas en dirección opuesta a su cara y cuerpo.

⚠ **PRECAUCIÓN:** Utilice una protección auditiva apropiada durante el uso. En determinadas condiciones y con utilizaciones prolongadas, el ruido generado por este producto puede favorecer la pérdida de audición.

#### PAUTAS DE SEGURIDAD/DEFINICIONES

Es importante que lea y comprenda este manual. La información que contiene se relaciona con la protección de SU SEGURIDAD y la PREVENCIÓN DE PROBLEMAS. Los símbolos que siguen se utilizan para ayudarlo a reconocer esta información.

⚠ **PELIGRO:** indica una situación de peligro inminente que, si no se evita, provocará la muerte o lesiones graves.

⚠ **ADVERTENCIA:** indica una situación de peligro potencial que, si no se evita, provocará la muerte o lesiones graves.

⚠ **PRECAUCIÓN:** indica una situación de peligro potencial que, si no se evita, provocará lesiones leves o moderadas.

**PRECAUCIÓN:** utilizado sin el símbolo de alerta de seguridad indica una situación de peligro potencial que, si no se evita, puede provocar daños en la propiedad.

La etiqueta de su herramienta puede incluir los siguientes símbolos.

V .....	voltios	A .....	amperes
Hz .....	hertz	W .....	watts
min .....	minutos	~ .....	corriente alterna
=== .....	corriente directa	n <sub>o</sub> .....	velocidadsin carga
<input type="checkbox"/> .....	construcción clase II	⊖ .....	terminales de conexión a tierra
⚠ .....	símbolo de alerta seguridad	.../min .....	revoluciones o reciprocaciones por minuto

#### ⚠ Advertencias e instrucciones de seguridad: Lijadoras

- SIEMPRE UTILICE PROTECCIÓN PARA LOS OJOS Y VÍAS RESPIRATORIAS.

- Limpie su herramienta periódicamente.

#### ⚠ Otras advertencias e instrucciones de seguridad importantes

#### Lijado

##### Pinturas con base de plomo

El lijado de pinturas con base de plomo NO SE RECOMIENDA debido a la dificultad de control del polvo contaminado. El envenenamiento por plomo es más peligroso para niños y mujeres embarazadas.

Ya que es difícil identificar si una pintura contiene plomo o no, sin antes hacer un análisis químico, le recomendamos que se tomen las siguientes precauciones cuando lije cualquier pintura:

#### Seguridad personal

- No permita que entren al área de trabajo niños ni mujeres embarazadas cuando lije pintura hasta que haya terminado de asear el lugar.
- Se recomienda el uso de máscaras o respiradores para todas las personas que entren al área de trabajo. El filtro se debe reemplazar diariamente o cuando el usuario tenga dificultad para respirar.
- **NOTA:** Sólo deben utilizarse mascararas adecuadas para trabajo con polvo y vapores de pintura. Las mascararas ordinarias para pintura no ofrecen esta protección. Vea a su distribuidor de herramienta local para conseguir la máscara adecuada.
- NO COMA, BEBA O FUME en la zona de trabajo para evitar ingerir partículas de pintura contaminadas. Los usuarios deberán lavarse y limpiarse ANTES de comer, beber o fumar. No deben dejarse artículos para comer beber o fumar en el área de trabajo donde el polvo se asentaría en ellos.

#### Seguridad ambiental

- La pintura debe removerse de tal manera que se minimice la cantidad generada de polvo.
- Se deben sellar las áreas en que se remueve pintura con láminas de plástico de 4 mils. de espesor.
- El lijado debe hacerse en tal forma que se reduzca el desalojo de pintura fuera de la zona de trabajo.

#### Limpieza y desecho

- Todas las superficies en el área de trabajo deben ser aspiradas y limpiadas a conciencia diariamente el tiempo que dure el proyecto de lijado. Las bolsas filtro de las aspiradoras deben cambiarse frecuentemente.
- Las láminas de plástico deben recogerse y desecharse con cualquier resto de pintura. Deben depositarse en recipientes sellados y deben desecharse a través de los procedimientos de recolección de basura normales. Durante la limpieza, niños y mujeres embarazadas deben permanecer alejados de la zona de trabajo inmediata.
- Todo tipo de juguetes, mobiliario lavable y utensilios usados por niños deben lavarse a conciencia antes de volver a utilizarse.

#### Motor

Asegúrese de que su alimentación eléctrica sea la requerida en la placa nominal. 120 voltios de corriente alterna sólo significa que su herramienta operará con la potencia doméstica estándar de 60 Hz. No opere herramientas de corriente alterna en corriente directa. Una especificación de 120 voltios AC/DC significa que su herramienta operará en 60 Hz estándar de potencia en corriente alterna o corriente directa. Esta información está impresa en la placa nominal. Un voltaje menor causará pérdida de potencia y puede resultar en sobrecalentamiento. Todas las herramientas Black & Decker han sido probadas en la fábrica; si esta herramienta no funciona, revise la alimentación eléctrica.

## Uso de cables de extensión

Asegúrese que el cable de extensión esté en buenas condiciones antes de usarlo. Utilice siempre extensiones con el calibre adecuado con su herramienta – esto es, el calibre apropiado para diferentes longitudes del cable, con la capacidad suficiente para soportar la corriente que su herramienta necesita. El uso de un cable con calibre insuficiente causará una caída en el voltaje de la línea resultando en pérdida de potencia y sobrecalentamiento. Consulte la tabla que sigue para conocer los calibres del cable.

Calibre mínimo para cables de extensión					
Volts	Longitud total del cable en pies				
120V	0-25	26-50	51-100	101-150	
	(0-7,6m)	(7,6-15,2m)	(15,2-30,4m)	(30,4-45,7m)	
240V	0-50	51-100	101-200	201-300	
	(0-15,2m)	(15,2-30,4m)	(30,4-60,9m)	(60,9-91,4m)	
Amperaje					
Más de	No más de	American Wire Gage			
0	- 6	18	16	16	14
6	- 10	18	16	14	12
10	- 12	16	16	14	12
12	- 16	14	12	No se recomienda	

## CONSERVE ESTAS INSTRUCCIONES

### Ajustes

⚠ **ADVERTENCIA:** Apague y desenchufe la lijadora antes de realizar las siguientes operaciones, para evitar que arranque accidentalmente. El incumplimiento con la anterior podría causar lesiones corporales graves.

#### Mango de 3 posiciones - Figuras 1 y 1A

Para mover el mando, afloje el mecanismo de seguro que se encuentra en el lado del mango. Para ajustar el mango, tire del brazo de seguro (**Figura 1**) y mueva el mango a la posición deseada (**Figura 1A**). Una vez que el mango esté en posición, empuje el brazo de seguro hacia adentro para fijar el mango en posición.

#### Cubierta de 2 posiciones para la banda - Figuras 2 y 3

La lijadora de banda tiene una cubierta de aluminio para la banda lijadora en su parte delantera. Cuando el mango está en la posición de más arriba, esta cubierta se puede elevar, como lo muestra la **Figura 2 (Flecha 1)**, y fijar en esta posición para:

- Mejorar el acceso a zonas estrechas.
- Permitir el uso de un rodillo delantero de menor diámetro para lijar (generalmente la cubierta de aluminio previene esto cuando está abajo).
- Exponer la parte superior de la banda para un lijado más versátil (**Figura 3**).

Para bajar la cubierta de la banda, sostenga la pestaña de un lado y muévela ligeramente en la dirección ilustrada en la **Figura 2 (Flecha 2)**. Vuelva a cerrarla.

**Nota:** La cubierta de la banda de lijado no puede fijarse en la posición elevada a no ser que el mango esté en la posición de más arriba.

⚠ **ADVERTENCIA:** La banda de lijado queda expuesta cuando la cubierta de la banda se eleva. Tenga mucho cuidado cuando opere la herramienta de esta forma.

#### Ajuste de la posición de la banda de lijado Figura 4

Invierta la máquina (**Figura 4**), sosténgala firmemente con una mano, arranque el motor y suelte el conmutador inmediatamente apenas vea la posición de la banda de lijado. Si la banda abrasiva se empieza a ir hacia afuera, gire el botón de ajuste de posición en la dirección de las manillas del reloj y en dirección contraria a las manillas del reloj su la banda se va hacia adentro.

La banda durará mucho más si se mantiene bien ajustada su posición. Para prevenir que la banda de lijado se sobe contra la caja protectora de la lijadora, mantenga el borde de la banda a entre 2,7 mm (7/64 pulg.) y 5,1 mm (13/64 pulg.) de la caja protectora, como lo muestra la **figura 4**.

#### Cambio de la banda de lijado - Figuras 5 y 6

⚠ **ADVERTENCIA:** Para evitar el funcionamiento accidental, apague y desenchufe la lijadora antes de cambiar la banda de lijado.

Tire de la palanca ilustrada en la **Figura 5** para soltar la tensión de la banda de lijado. Tire de la banda para desengancharla de los dos rodillos. Coloque la nueva banda de lijado en su lugar, entre los rodillos delantero y trasero (**Figura 6**). Verifique que las flechas de la banda de lijado y de su lijadora de banda estén apuntando en la misma dirección. Empuje la palanca hacia atrás para tensar la banda de lijado. ⚠ **ADVERTENCIA:** Para reducir el riesgo de lesiones, asegúrese de que la banda esté instalada con las flechas en la dirección de rotación correcta. Si la banda está mal instalada, desenredarla puede provocar una condición de riesgo.

#### Recolección de polvo - Figura 7

⚠ **ADVERTENCIA:** Apague y desenchufe la lijadora antes de instalar el saco de polvo, para evitar que arranque accidentalmente.

Cuando use su lijadora de banda, generará polvo y tierra. Es importante utilizar un saco de recolección de polvo. Conecte el saco de polvo deslizando la apertura plástica del saco hacia abajo, sobre el puerto de salida de polvo de la lijadora, como se muestra en la **Figura 7**. Para vacías el saco de polvo, retírelo de la lijadora y ábralo sobre un basurero.

**Nota:** Puede comprar un accesorio para la aspiradora como repuesto. Para encontrar el Centro de Servicio Black & Decker más cercano, busque en las páginas amarillas bajo "Herramientas eléctricas" o llame al: **(55) 5326-7100**

⚠ **ADVERTENCIA:** Peligro de incendio. El polvo acumulado del lijado de superficies revestidas (poliuretano, aceite de linaza, etc.) puede auto-inflamarse en la bolsa para polvo de la lijadora u otro lado y causar incendios. Para reducir este riesgo, vacíe la bolsa frecuentemente y siga estrictamente las instrucciones del manual de la lijadora y del fabricante del revestimiento lijado.

⚠ **ADVERTENCIA:** Riesgo de incendio. No utilice la bolsa recolectora de polvo ni la aspiradora al lijar superficies metálicas o maderas con clavos, ya que se pueden generar chispas. Utilice gafas de seguridad y una máscara para polvo. Debido al riesgo de incendio, no utilice la lijadora de banda para lijar superficies de magnesio. No utilice la herramienta para lijar superficies húmedas.

## Funcionamiento

### Uso de la lijadora de banda - Figura 8

Siempre sostenga la lijadora de banda firmemente con ambas manos mientras la use, como aparece en la **Figura 8**. Observe que el mango de la lijadora se puede ajustar a tres posiciones diferentes, lo cual se discute más abajo.

**Base de inversión-** Puede conseguir una base de inversión para esta lijadora en el centro de mantenimiento Black & Decker más cercano con el número de pieza 478700-00. La base de inversión permite utilizar la lijadora de banda como una pequeña lijadora estacionaria para lijar horizontalmente.

**Marco de lijado** - Solicite un marco de lijado con el número de pieza 478705-00. Un marco de lijado permite lijar en forma pareja sin daños.

Si necesita ayuda para localizar cualquiera de las piezas de mantenimiento mencionadas, llame al **(55) 5326-7100**.

### Advertencias de la base de inversión:

⚠ **ADVERTENCIA:** Peligro de abrasión severa.

- Evite tocar la banda giratoria de la base de inversión con los dedos o las manos.
- Nunca utilice la lijadora de banda en posición invertida sin la base de inversión específicamente diseñada para este producto.
- Asegúrese de que la lijadora de banda esté apagada y no esté conectada a ninguna fuente de alimentación mientras conecta la base de inversión. Antes de volver a conectar la herramienta, oprima y libere el interruptor disparador para asegurarse de que la herramienta esté apagada.
- Cuando lije con la lijadora de banda en la base de inversión, sostenga firmemente la madera o el material que está lijando. La banda puede alejar el material de usted, lo que podría ocasionar daños.

### Conmutador - Figura 9 y 10

Para arrancar su lijadora de banda, presione el conmutador como lo muestra la **Figura 9**. Para detener la lijadora de banda, suelte el conmutador. Para dejarla encendida en forma continua, presione el conmutador y luego el botón del seguro (**Figura 10**) y suelte el conmutador. Para detener la lijadora de banda, presione el conmutador para desactivar el seguro. Suelte el conmutador.

### Consejos útiles

- Siempre arranque la lijadora de banda antes de que entre en contacto con la pieza de trabajo y no la apague hasta que la haya levantado de la pieza de trabajo.
- Siempre sostenga su lijadora de banda con ambas manos.
- Si es posible, sujete la pieza de trabajo con prensas a una mesa de trabajo o superficie firme similar.

- Use una banda con el grano apropiado a la aplicación. Los siguientes son los granos de banda sugeridos para los diferentes materiales.

MATERIAL	GRANO DE BANDA
Madera sólida	80
Enchapado	150
Madera prensada	60/80
Plásticos	100
Acero	80 (sin saco de polvo)
Para quitar pintura	40/60
Madera de balsa	100
Acrílico	100

### Cuidado y mantenimiento de la herramienta

Nunca aplique demasiada fuerza cuando use su lijadora de banda. Demasiada fuerza puede sobrecargar y dañar el motor o la pieza de trabajo. Si su lijadora de banda se calienta demasiado, hágala operar sin carga por dos minutos. Mantenga siempre despejados los orificios de ventilación. Para limpiar su lijadora de banda, haga lo siguiente:

⚠ **ADVERTENCIA:** Apague y desenchufe la lijadora antes de realizar las siguientes operaciones, para evitar que arranque accidentalmente. El incumplimiento con la anterior podría causar lesiones corporales graves.

- Use una brocha para pintar seca y limpia para limpiar los ductos y orificios de ventilación.
- Limpie las cajas protectoras con un paño limpio y húmedo (no use solventes, gasolina ni trementina.)

**IMPORTANTE:** Para garantizar la SEGURIDAD y la FIABILIDAD del producto, toda reparación, todo mantenimiento y ajuste, deberán ser realizados por centros autorizados de servicio u otro personal de servicio calificado, utilizando siempre para ello repuestos originales.

## DETECCIÓN DE PROBLEMAS

### Problema

• La unidad no enciende.

### Causa posible

• Cable desenchufado.

• Fusible quemado.

• El interruptor automático está activado.

• Interruptor o cable dañado.

### Solución posible

- Enchufe el cargador en un tomacorriente que funcione.
- Reemplace el fusible quemado. (Si repetidamente el producto hace que el fusible del circuito se queme, deje de utilizarlo inmediatamente y haga que le realicen mantenimiento en un centro de mantenimiento Black & Decker o en un centro de servicio autorizado.)
- Reinicie el interruptor automático. (Si repetidamente el producto hace que el fusible del circuito se queme, deje de utilizarlo inmediatamente y haga que le realicen mantenimiento en un centro de mantenimiento Black & Decker o en un centro de servicio autorizado.)
- Haga reparar el cable o el interruptor en un centro de mantenimiento Black & Decker o en un centro de mantenimiento autorizado.

Para conocer la ubicación del centro de mantenimiento más cercano a fin de recibir ayuda con su producto, visite nuestro sitio Web [www.blackanddecker.com](http://www.blackanddecker.com) o llame a la línea de ayuda BLACK & DECKER al **55-5326-7100**

## Accesorios

Use sólo correas lijadoras de 75 x 533mm (3" x 21"). Los accesorios que se recomiendan usar con su herramienta, se pueden obtener a un costo extra donde su proveedor o centro autorizado de servicio. Si usted necesita ayuda para localizar algún accesorio para su herramienta, favor llamar al **(55)5326-7100**.

⚠ **ATENCIÓN:** El usar esta herramienta con cualquier otro accesorio no recomendado, puede ser peligroso.

## Información de servicio

Black & Decker ofrece una red completa de centros de servicio y centros autorizados en toda Norteamérica. Todos los centros de servicio Black & Decker disponen de personal entrenado para dar un servicio eficiente y confiable a las herramientas eléctricas de sus clientes. De necesitar orientación técnica, reparación o repuestos originales de fábrica, diríjase al centro Black & Decker local. Para hallar la ubicación del centro de servicio más cercano, busque en las páginas amarillas de la guía telefónica bajo "Herramientas—Eléctricas" o llame a: **(55)5326-7100**.

## Garantía completa de dos años para uso doméstico

Black & Decker (U.S.) Inc. garantiza este producto por dos años contra cualquier defecto en su material o fabricación. Existen dos opciones para reemplazar o reparar el producto defectuoso, sin costo.

La primera, la cual resultará sólo en un cambio, es devolver el producto al vendedor del cual fue comprado (siempre que sea un local participante). Las devoluciones deberán realizarse durante el plazo especificado en la política de devoluciones del vendedor (generalmente entre 30 y 90 días después de la fecha de compra). Puede que sea necesario presentar prueba de compra. Por favor averigüe cuál es la política del vendedor para devoluciones efectuadas más allá del plazo para cambios.

La segunda opción es llevar o enviar el producto (con franqueo pagado) a un Centro de Servicio autorizado o al Centro de Servicio Black & Decker para su reparación o reemplazo, a decisión nuestra. Puede que sea necesario presentar prueba de compra. Los Centros de Servicio autorizados y Centros de Servicio Black & Decker se encuentran en las páginas amarillas bajo "Herramientas eléctricas".

Esta garantía no aplica a los accesorios. Esta garantía le da derechos legales específicos además de los cuales puede tener otros, los cuales varían entre estados. Si tuviese alguna pregunta, contacte al gerente de su Centro de Servicio Black & Decker más cercano. Este producto no es para uso comercial.

**SUSTITUCIÓN GRATUITA DE LAS ETIQUETAS DE ADVERTENCIA:** Si sus etiquetas de advertencia se vuelven ilegibles o se pierden, llame al **(55)5326-7100** para conseguir repuestos gratuitos.

## Para reparación y servicio de sus herramientas eléctricas, favor de dirigirse al Centro de Servicio más cercano:

<b>CULIACAN, SIN</b> Av. Nicolás Bravo #1063 Sur (667) 7 12 42 11 Col. Industrial Bravo	<b>MONTERREY, N.L.</b> Av. Francisco I. Madero No.831 (81) 8375 2313 Col. Centro	<b>TORREON, COAH</b> Blvd. Independencia, 96 Pte. (871) 716 5265 Col. Centro
<b>GUADALAJARA, JAL</b> Av. La Paz #1779 (33) 3825 6978 Col. Americana Sector Juarez	<b>PUEBLA, PUE</b> 17 Norte #205 (222) 246 3714 Col. Centro	<b>VERACRUZ, VER</b> Prolongación Díaz Mirón #4280 (229)921 7016 Col. Remes
<b>MEXICO, D.F.</b> Eje Central Lázaro Cardenas No. 18 (55) 5588 9377 Local D, Col. Obrera	<b>QUERETARO, QRO</b> Av. Madero 139 Pte. (442) 214 1660 Col. Centro	<b>VILLAHERMOSA, TAB</b> Constitución 516-A (993) 312 5111 Col. Centro
<b>MERIDA, YUC</b> Calle 63 #459-A (999) 928 5038 Col. Centro	<b>SAN LUIS POTOSI, SLP</b> Av. Universidad 1525 (444) 814 2383 Col. San Luis	

## PARA OTRAS LOCALIDADES LLAME AL: (55) 5326 7100

Para servicio y ventas consulte "HERRAMIENTAS ELECTRICAS" en la sección amarilla.



IMPORTADOR: BLACK & DECKER S.A. DE C.V.  
BOSQUES DE CIDROS ACCESO RADIATAS NO. 42  
BOSQUES DE LAS LOMAS, 05120 MEXICO, D.F.  
(55) 5326-7100

### Especificaciones

#### DS321

Tensión de alimentación:	120V
Potencia nominal:	781W
Consumo de corriente:	7,0A
Frecuencia de operación:	60Hz

## Free Manuals Download Website

<http://myh66.com>

<http://usermanuals.us>

<http://www.somanuals.com>

<http://www.4manuals.cc>

<http://www.manual-lib.com>

<http://www.404manual.com>

<http://www.luxmanual.com>

<http://aubethermostatmanual.com>

Golf course search by state

<http://golfingnear.com>

Email search by domain

<http://emailbydomain.com>

Auto manuals search

<http://auto.somanuals.com>

TV manuals search

<http://tv.somanuals.com>