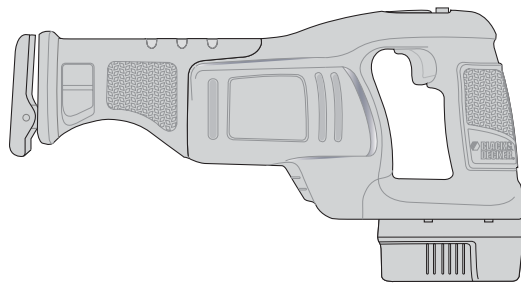


## 18 Volt Cordless Reciprocating Saw

# INSTRUCTION MANUAL



CATALOG NUMBER  
FS1800RS

THANK YOU FOR CHOOSING FIRESTORM! GO TO  
[WWW.FIRESTORMTOOLS.COM/PRODUCTREGISTRATION](http://WWW.FIRESTORMTOOLS.COM/PRODUCTREGISTRATION)  
TO REGISTER YOUR NEW PRODUCT.

**BEFORE RETURNING THIS PRODUCT  
FOR ANY REASON PLEASE CALL  
1-800-544-6986**

BEFORE YOU CALL, HAVE THE CATALOG No. AND DATE CODE AVAILABLE. IN MOST CASES, A  
BLACK & DECKER REPRESENTATIVE CAN RESOLVE THE PROBLEM OVER THE PHONE. IF  
YOU HAVE A SUGGESTION OR COMMENT, GIVE US A CALL. YOUR FEEDBACK IS VITAL TO  
BLACK & DECKER.

## KEY INFORMATION YOU SHOULD KNOW:

- Keep shoe firmly against work surface.
- Charge battery for 9 hours before first use. For more information see "CHARGING THE POWER PACK".

SAVE THIS MANUAL FOR FUTURE REFERENCE.

VEA EL ESPAÑOL EN LA CONTRAPORTADA.

INSTRUCTIVO DE OPERACIÓN, CENTROS DE SERVICIO Y  
PÓLIZA DE GARANTÍA. ADVERTENCIA: LÉASE ESTE  
INSTRUCTIVO ANTES DE USAR EL PRODUCTO.

CAT. NO. FS1800RS FORM NO. 90503808 REV. 1 PRINTED IN CHINA Copyright©2006 Black & Decker (JUN.-06)

### ⚠ GENERAL SAFETY RULES - FOR ALL BATTERY OPERATED TOOLS

#### ⚠ WARNING! READ AND UNDERSTAND ALL INSTRUCTIONS.

Failure to follow all instructions listed below, may result in electric shock, fire and/or serious personal injury.

#### SAVE THESE INSTRUCTIONS

##### Work Area

- **Keep your work area clean and well lit.** Cluttered benches and dark areas invite accidents.
- **Do not operate power tools in explosive atmospheres, such as in the presence of flammable liquids, gases, or dust.** Power tools create sparks which may ignite the dust or fumes.
- **Keep bystanders, children, and visitors away while operating a power tool.** Distractions can cause you to lose control.

##### Electrical Safety

- **Do not abuse the cord. Never use the cord to carry the tool. Keep cord away from heat, oil, sharp edges or moving parts. Replace damaged cords immediately.** Damaged cords may create a fire.
- **A battery operated tool with integral batteries or a separate battery pack must be recharged only with the specified charger for the battery.** A charger that may be suitable for one type of battery may create a risk of fire when used with another battery.
- **Use battery operated tool only with specifically designated battery pack.** Use of any other batteries may create a risk of fire.

##### Personal Safety

- **Stay alert, watch what you are doing and use common sense when operating a power tool. Do not use tool while tired or under the influence of drugs, alcohol, or medication.** A moment of inattention while operating power tools may result in serious personal injury.
- **Dress properly. Do not wear loose clothing or jewelry. Contain long hair. Keep your hair, clothing, and gloves away from moving parts.** Loose clothes, jewelry, or long hair can be caught in moving parts.
- **Avoid accidental starting. Be sure switch is in the locked or off position before inserting battery pack.** Carrying tools with your finger on the switch or inserting the battery pack into a tool with the switch on invites accidents.
- **Remove adjusting keys or wrenches before turning the tool on.** A wrench or a key that is left attached to a rotating part of the tool may result in personal injury.
- **Do not overreach. Keep proper footing and balance at all times.** Proper footing and balance enable better control of the tool in unexpected situations.
- **Use safety equipment. Always wear eye protection.** Dust mask, non-skid safety shoes, hard hat, or hearing protection must be used for appropriate conditions.

##### Tool Use and Care

- **Use clamps or other practical way to secure and support the workpiece to a stable platform.** Holding the work by hand or against your body is unstable and may lead to loss of control.
- **Do not force tool. Use the correct tool for your application.** The correct tool will do the job better and safer at the rate for which it is designed.
- **Do not use tool if switch does not turn it on or off.** A tool that cannot be controlled with the switch is dangerous and must be repaired.
- **Disconnect battery pack from tool or place the switch in the locked or off position before making any adjustments, changing accessories, or storing the tool.** Such preventive safety measures reduce the risk of starting the tool accidentally.
- **Store idle tools out of reach of children and other untrained persons.** Tools are dangerous in the hands of untrained users.
- **When battery pack is not in use, keep it away from other metal objects like: paper clips, coins, keys, nails, screws or other small metal objects that can make a connection from one terminal to another.** Shorting the battery terminals together may cause sparks, burns, or a fire.
- **Maintain tools with care. Keep cutting tools sharp and clean.** Properly maintained tools, with sharp cutting edge are less likely to bind and are easier to control.

- **Check for misalignment or binding of moving parts, breakage of parts, and any other condition that may affect the tool's operation. If damaged, have the tool serviced before using.** Many accidents are caused by poorly maintained tools.
- **Use only accessories that are recommended by the manufacturer for your model.** Accessories that may be suitable for one tool may create a risk of injury when used on another tool.

##### Service

- **Tool service must be performed only by qualified repair personnel.** Service or maintenance performed by unqualified personnel may result in a risk of injury.
- **When servicing a tool, use only identical replacement parts. Follow instructions in the Maintenance section of this manual.** Use of unauthorized parts or failure to follow Maintenance Instructions may create a risk of shock or injury.

### SPECIFIC SAFETY RULES

- **Hold tool by insulated gripping surfaces when performing an operation where the cutting tool may contact hidden wiring or its own cord.** Contact with a "live" wire will make exposed metal parts of the tool "live" and shock the operator.
- **Use extra caution when cutting overhead and pay particular attention to overhead wires which may be hidden from view. Anticipate the path of falling branches and debris ahead of time.**
- **KEEP HANDS AWAY** from cutting area. Never reach underneath the material for any reason. Hold front of saw by grasping the contoured gripping area. Do not insert fingers or thumb into the vicinity of the reciprocating blade and blade clamp. Do not stabilize the saw by gripping the shoe.
- **KEEP BLADES SHARP.** Dull blades may cause the saw to swerve or stall under pressure.
- ⚠ **WARNING: Some dust created by power sanding, sawing, grinding, drilling, and other construction activities contains chemicals known to cause cancer, birth defects or other reproductive harm.** Some examples of these chemicals are:
  - lead from lead-based paints,
  - crystalline silica from bricks and cement and other masonry products, and
  - arsenic and chromium from chemically-treated lumber (CCA).

Your risk from these exposures varies, depending on how often you do this type of work. To reduce your exposure to these chemicals: work in a well ventilated area, and work with approved safety equipment, such as those dust masks that are specially designed to filter out microscopic particles.

- **Avoid prolonged contact with dust from power sanding, sawing, grinding, drilling, and other construction activities. Wear protective clothing and wash exposed areas with soap and water.** Allowing dust to get into your mouth, eyes, or lay on the skin may promote absorption of harmful chemicals.

⚠ **WARNING: Use of this tool can generate and/or disperse dust, which may cause serious and permanent respiratory or other injury.** Always use NIOSH/OSHA approved respiratory protection appropriate for the dust exposure. Direct particles away from face and body.

⚠ **CAUTION: Wear appropriate hearing protection during use.** Under some conditions and duration of use, noise from this product may contribute to hearing loss.

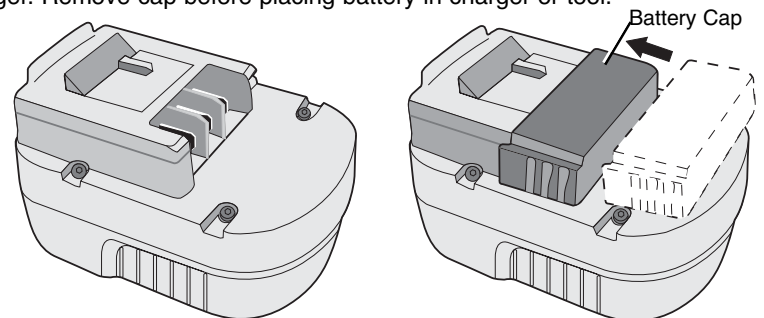
⚠ **WARNING: Do not operate this tool for long periods of time.** Vibration caused by the operating action of this tool may cause permanent injury to fingers, hands, and arms. Use gloves to provide extra cushion, take frequent rest periods, and limit daily time of use.

The label on your tool may include the following symbols.

V .....	volts	A .....	amperes
Hz .....	hertz	W .....	watts
min .....	minutes	~ .....	alternating current
==== .....	direct current	n <sub>o</sub> .....	no load speed
☐ .....	Class II Construction	⊕ .....	earthing terminal
⚠ .....	safety alert symbol	.../min .....	revolutions or reciprocations per minute
🔒 .....	lock-on symbol	🔓 .....	lock-off symbol
🔑 .....	Quick Release lock-on symbol		

### BATTERY CAP INFORMATION

Battery storage and carrying caps are provided for use whenever the battery is out of the tool or charger. Remove cap before placing battery in charger or tool.



⚠ **WARNING: Do not store or carry battery so that metal objects can contact exposed battery terminals.** For example, do not place battery in aprons, pockets, tool boxes, product kit boxes, drawers, etc. with loose nails, screws, keys, etc. without battery cap. Transporting batteries can possibly cause fires if the battery terminals inadvertently come in contact with conductive materials such as keys, coins, hand tools and the like. The US Department of Transportation Hazardous Material Regulations (HMR) actually prohibit transporting batteries in commerce or on airplanes (i.e. packed in suitcases and carryon luggage) UNLESS they are properly protected from short circuits. So when transporting individual batteries, make sure that the battery terminals are protected and well insulated from materials that could contact them and cause a short circuit.

### ⚠ SAFETY WARNINGS AND INSTRUCTIONS: CHARGING THE SAW

1. This manual contains important safety and operating instructions.
2. Before using battery charger, read all instructions and cautionary markings on (1) battery charger, (2) battery, and (3) product using battery.
3. ⚠ **CAUTION: To reduce the risk of injury, charge only Black & Decker Power Packs.** Other types of batteries may burst causing personal injury and damage.
4. Do not expose charger to rain or snow.
5. Use of an attachment not recommended or sold by Black & Decker may result in a risk of fire, electric shock, or injury to persons.
6. To reduce risk of damage to electric plug and cord, pull by plug rather than cord when disconnecting charger.
7. Make sure cord is located so that it will not be stepped on, tripped over, or otherwise subjected to damage or stress.
8. An extension cord should not be used unless absolutely necessary. Use of improper extension cord could result in a risk of fire, electric shock or electrocution.
  - a. Two-wire cords can be used with 2-wire or 3-wire extension cords. Only round jacketed extension cords should be used, and we recommend that they be listed by Underwriters Laboratories (U.L.). If the extension is to be used outside, the cord must be suitable for outdoor use. Any cord marked for outdoor use can also be used for indoor work. The letters "W" or "WA" on the cord jacket indicate that the cord is suitable for outdoor use.
  - b. An extension cord must have adequate wire size (AWG or American Wire Gauge) for safety, and to prevent loss of power and overheating. The smaller the gauge number of the wire, the greater the capacity of the cable; that is, 16 gauge has more capacity than 18 gauge. When using more than one extension to make up the total length, be sure each extension contains at least the minimum wire size.

#### CHART FOR MINIMUM WIRE SIZE (AWG) OF EXTENSION CORDS NAMEPLATE RATING AMPS – 0 – 10.0

Total Extension Cord Length (ft)	25	50	75	100	125	150
Wire Gauge	18	18	16	16	14	14

9. Use only the supplied charger when charging your saw. The use of any other charger

could damage the battery or create a hazardous condition.

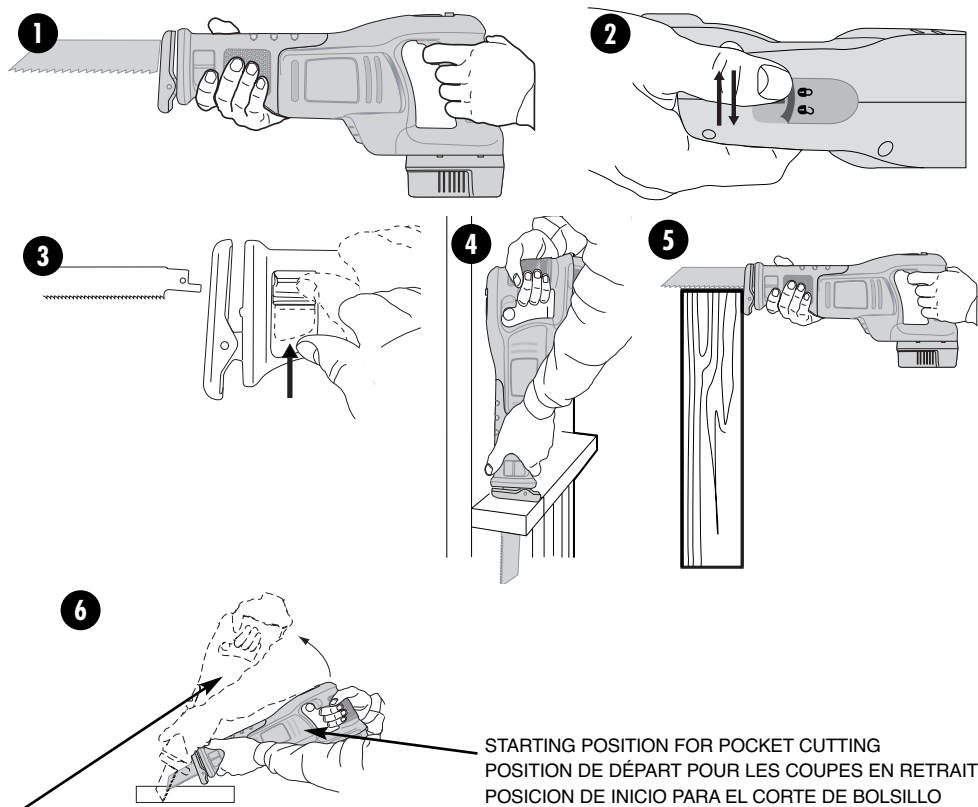
10. Use only one charger when charging.
11. Do not attempt to open the charger or the saw. There are no customer serviceable parts inside. Return to any authorized Black & Decker service center.
12. DO NOT incinerate the saw or battery packs even if they are severely damaged or completely worn out. The batteries can explode in a fire.
13. A small leakage of liquid from the battery cells may occur under extreme usage, charging or temperature conditions. This does not indicate a failure. However, if the outer seal is broken and this leakage gets on your skin:
  - a. Wash quickly with soap and water.
  - b. Neutralize with a mild acid such as lemon juice or vinegar.
  - c. If the battery liquid gets in your eyes, flush them with clean water for a minimum of 10 minutes and seek immediate medical attention. MEDICAL NOTE: The liquid is a 25-35% solution of potassium hydroxide.

FS1800RS tool can accept any of the following 18V slide pack batteries and 18V slide pack chargers seen in the chart below. Please see the individual charger manuals for all safety and operating instructions.

18V Slide Pack Batteries		18V Slide Pack Chargers	
Cat. #	Description	Cat. #	Description
FSB18	18V Firestorm Battery	FS18C	18V Cup Charger
FS180BX	18V FSXtreme Battery	FS180DC	18V Dual Port Charger
FS18BX	18V FSXtreme Battery - 3 terminal	FS18RC	18V Radio Charger
FS18SBX	18V FSXtreme Battery - Silver Series	5104211-00	18V Three Port Charger
HPB18	18V Black & Decker Battery	FSMVC	9.6V-18V Fast Charger
		FS240FC	9.6V-24V One Hour Charger
		FS2400DC	9.6V-24V Dual Port One Hour Charger

#### IMPORTANT CHARGING NOTES

1. After normal usage, your power pack should be fully charged in 3 to 9 hours. If the power pack is run-down completely, it may take up to 9 hours to become fully charged. Your power pack was sent from the factory in an uncharged condition. Before attempting to use it, it must be charged for at least 9 hours.
2. DO NOT charge the power pack in an air temperature below 40°F or above 105°F. This is important and will prevent serious damage to the power pack. Longest life and best performance can be obtained if power pack is charged when air temperature is about 75°F.
3. While charging, the charger may hum and become warm to touch. This is a normal condition and does not indicate a problem.
4. If the power pack does not charge properly—(1) Check current at receptacle by plugging in a lamp or other appliance. (2) Check to see if receptacle is connected to a light switch which turns power off when you turn out the lights. (3) Move charger and power pack to a surrounding air temperature of 40°F to 105°F. (4) If the receptacle and temperature are OK, and you do not get proper charging, take or send the power pack and charger to your local Black & Decker service center. See Tools Electric in yellow pages.
5. The power pack should be recharged when it fails to produce sufficient power on jobs which were easily done previously. DO NOT CONTINUE using saw with its power pack in a depleted condition.
6. To prolong power pack life, avoid leaving the power pack on charge for extended periods of time (over 30 days without use). Although overcharging is not a safety concern, it can significantly reduce overall power pack life.
7. When the battery is inserted into the charger, the red "Charging Indicator" light will come on indicating that there is contact between the battery and charger. The light will stay on as long as the battery is in the charger and the charger is plugged into a working outlet. It **WILL NOT** flash, go out or change to a different color when the charging cycle is complete.
8. The power pack will reach optimum performance after being cycled 5 times during normal usage. There is no need to run the batteries down completely before recharging. Normal usage is the best method of discharging and recharging the batteries.



#### OPERATION

- CAUTION:** Always wear eye protection while operating this power tool.
- NOTE:** Before cutting any type of material, be sure it is firmly anchored or clamped to prevent slipping.
- Place blade and shoe lightly against work to be cut.
  - Switch on saw motor and allow it to obtain maximum speed before applying pressure.
  - Always hold saw firmly with both hands while cutting as shown in Figure 1. Whenever possible, the saw shoe must be held firmly against the material being cut. This will prevent the saw from jumping or vibrating and minimize blade breakage.

#### TRIGGER SWITCH (FIGURE 2)

Release lock-off by switching to the unlocked position shown in Fig. 2 from either side of the saw. Pull the trigger switch to turn the motor ON. Releasing the trigger turns the motor OFF. **NOTE:** This tool has no provision to lock the switch in the ON position, and should never be locked in the ON position by any other means.

#### BLADE CLAMP RELEASE LEVER (FIGURE 3)

**CAUTION: TURN OFF AND REMOVE BATTERY FROM TOOL.**

To install blade into saw:

1. Open blade clamp release lever to its full open position as shown in Figure 3.
2. Insert blade shank from the front.

3. Close blade clamp release lever.

To remove blade from saw:

1. Open blade clamp release lever to its full open position.
2. Remove blade.

#### FLUSH CUTTING (FIGURE 4)

- The compact design of the reciprocating saw motor housing and pivoting shoe permit close cutting to floors, corners and other difficult areas.
- To maximize flush cutting capabilities, insert the blade shaft into the blade clamp with the teeth of the blade facing up.
- Turn the saw upside down so you are as close to the work surface as possible.

#### WOOD CUTTING (FIGURE 5)

- Before cutting any type of wood, be sure the work piece is firmly anchored or clamped to prevent slipping.
- Place blade and shoe lightly against work to be cut.
- Switch on saw motor before applying pressure.
- Always hold saw firmly with both hands while cutting. Whenever possible, the shoe must be held firmly against the material being cut. This will prevent the saw from jumping or vibrating and minimize blade breakage.

#### METAL CUTTING

- Use a finer blade for ferrous metals and a coarse blade for non-ferrous materials.
  - In thin gauge sheet metals it is best to clamp wood to both sides of sheet. This will ensure a clean cut without excess vibration or tearing of metal.
  - Avoid forcing cutting blade as this reduces blade life and causes costly blade breakage.
- NOTE:** You should spread a thin film of oil or other coolant along the line ahead of the saw cut for easier operation and longer blade life. For cutting aluminum, kerosene is preferred.

#### POCKET CUTTING - WOOD ONLY (FIGURE 6)

- Measure the surface area to be cut and mark clearly with a pencil, chalk or scribe.
- Insert pocket cutting blade in blade clamp and tighten blade clamp securely.
- Tip the saw backward until the back edge of the shoe is resting on the work surface.
- Switch motor on, permitting blade to attain maximum speed.
- Grip handle steadily and begin a slow, deliberate upward swing with the handle of the saw.
- The blade will begin to feed into material. Always be sure blade is completely through material before continuing with pocket cut.

**NOTE:** In areas where blade visibility is limited, use the edge of the shoe as a guide.

#### PROJECT TIPS

- Cut only with sharp blades; they cut cleaner, faster and put less strain on the motor while cutting.
- When cutting, always ensure that the shoe is resting against the workpiece. This will improve operator control and minimize vibration.
- For longer blade life, use bi-metal blades. These utilize a carbon steel back welded to high speed steel teeth making the blade more flexible and less prone to breaking.

#### TROUBLESHOOTING

Problem	Possible Cause	Possible Solution
• Unit will not start.	• Battery not installed properly. • Battery not charged.	• Check battery installation. • Check battery charging requirements.
• Battery will not charge.	• Battery not inserted into charger. • Charger not plugged in.  • Surrounding air temperature too hot or too cold.	• Insert battery into charger until red LED appears. • Plug charger into a working outlet. Refer to "Important Charging Notes" for more details. • Move charger and tool to a surrounding air temperature of above 40 degree F (4,5°C) or below 105 degree F (+40,5°C).

For assistance with your product, visit our website [www.blackanddecker.com](http://www.blackanddecker.com) for the location of the service center nearest you or call the BLACK & DECKER help line at 1-800-544-6986.

#### MAINTENANCE

**REMOVE BATTERY FROM SAW WHEN PERFORMING ANY CLEANING OR OTHER MAINTENANCE. WHEN SERVICING USE ONLY IDENTICAL REPLACEMENT PARTS.**

- Avoid using solvents when cleaning plastic parts. Most plastics are susceptible to various types of commercial solvents and may be damaged by their use. Use clean cloths to remove dirt, carbon dust etc.
- When electric tools are used on fiberglass boats, sports cars, drywall etc., they are subject to accelerated wear and possible premature failure, as the fiberglass chips and grindings and drywall dust are highly abrasive to bearings, brushes, commutator, etc. During any use on fiberglass or drywall it is extremely important that the tool be cleaned frequently by blowing with an air jet.

#### LUBRICATION

Your tool was properly lubricated before leaving the factory. Once every year take or send your tool to a Black & Decker service center, or authorized service station, for a complete cleaning, inspection and lubrication. Tools "out of service" for long periods should be relubricated before being put back to work.

**IMPORTANT:** To assure product SAFETY and RELIABILITY, repairs, maintenance and adjustment should be performed by authorized service centers or other qualified service organizations, always using identical replacement parts

#### ACCESSORIES

The FS1800RS FIRESTORM™ reciprocating saw will accept up to a 12 inch long blade. Always use the shortest blade suitable for your project. Longer blades are more likely to be bent or damaged during use. During operation some longer blades may vibrate or shake if the saw is not kept in contact with the workpiece. Recommended accessories for use with your tool are available from your local dealer or authorized service center. If you need assistance regarding accessories, please call: **1-800-54-HOW-TO. (800-544-6986)**

**WARNING:** The use of any accessory not recommended for use with this tool could be hazardous.

#### THE RBRC™ SEAL

The RBRC™ (Rechargeable Battery Recycling Corporation) Seal on the nickel-cadmium battery (or battery pack) indicates that the costs to recycle the battery (or battery pack) at the end of its useful life have already been paid by Black & Decker. In some areas, it is illegal to place spent nickel-cadmium batteries in the trash or municipal solid waste stream and the RBRC program provides an environmentally conscious alternative.

RBRC in cooperation with Black & Decker and other battery users, has established programs in the United States and Canada to facilitate the collection of spent nickel-cadmium batteries. Help protect our environment and conserve natural resources by returning the spent nickel-cadmium battery to an authorized Black & Decker service center or to your local retailer for recycling. You may also contact your local recycling center for information on where to drop off the spent battery, or call **1-800-8-BATTERY**.

#### SERVICE INFORMATION

Black & Decker offers a full network of company-owned and authorized service locations throughout North America. All Black & Decker Service Centers are staffed with trained personnel to provide customers with efficient and reliable power tool service. Whether you need technical advice, repair, or genuine factory replacement parts, contact the Black & Decker location nearest you. To find your local service location, refer to the yellow page directory under "Tools—Electric" or call: **1-800-54-HOW TO (544-6986)**.

#### FULL TWO-YEAR HOME USE WARRANTY

Black & Decker (U.S.) Inc. warrants this product for two years against any defects in material or workmanship. The defective product will be replaced or repaired at no charge in either of two ways.

The first, which will result in exchanges only, is to return the product to the retailer from whom it was purchased (provided that the store is a participating retailer). Returns should be made within the time period of the retailer's policy for exchanges (usually 30 to 90 days after



the sale). Proof of purchase may be required. Please check with the retailer for their specific return policy regarding returns that are beyond the time set for exchanges.

The second option is to take or send the product (prepaid) to a Black & Decker owned or authorized Service Center for repair or replacement at our option. Proof of purchase may be required. Black & Decker owned and authorized Service Centers are listed under "Tools-Electric" in the yellow pages of the phone directory.

This warranty does not apply to accessories. This warranty gives you specific legal rights and you may have other rights which vary from state to state. Should you have any questions, contact the manager of your nearest Black & Decker Service Center.

#### SPECIAL WARRANTY NOTE TO CONTRACTORS:

FIRESTORM™ branded products are offered as high end consumer home use tools and carry a **HOME USE WARRANTY**. These tools are designed, manufactured and tested to meet or exceed the needs of the do-it-yourselfer in the execution of projects and repairs in and around the home. With proper use they will provide the home owner with step up power and performance well beyond their two year warranty. However, if you use tools for a living and use FIRESTORM™ branded products or any of Black & Decker's other Consumer Home Use tools **ON THE JOBSITE** you should know that they **CANNOT BE COVERED UNDER OUR WARRANTY**.

Imported by  
Black & Decker (U.S.) Inc.,  
701 E. Joppa Rd.  
Towson, MD 21286 U.S.A.



BlackandDecker.com  
1-800-544-6986

See 'Tools-Electric'  
- Yellow Pages -  
for Service & Sales



# FIRESTORM

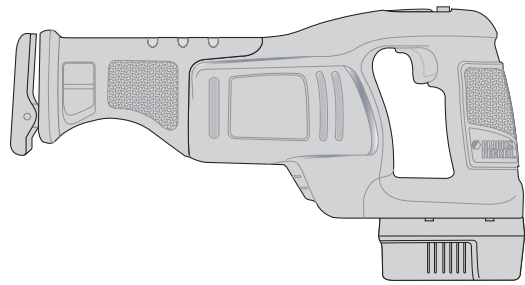
HIGH PERFORMANCE TOOLS

OUTILS À HAUT RENDEMENT  
HERRAMIENTAS DE ALTO RENDIMIENTO

BY BLACK & DECKER

## Scie alternative sans fil de 18 volts

# GUIDE D'UTILISATION



Numéro de catalogue  
**FS1800RS**

MERCI D'AVOIR CHOISI FIRESTORM ! VISITEZ  
[WWW.FIRESTORMTOOLS.COM/PRODUCTREGISTRATION](http://WWW.FIRESTORMTOOLS.COM/PRODUCTREGISTRATION)  
POUR ENREGISTRER VOTRE NOUVEAU PRODUIT.

**AVANT DE RETOURNER CE PRODUIT POUR QUELQUE  
RAISON QUE CE SOIT, COMPOSER LE  
1-800-544-6986**

AVANT D'APPELER, AYEZ EN MAIN LE N° DE CATALOGUE ET LE CODE DE DATE. DANS LA PLUPART  
DES CAS, UN REPRÉSENTANT DE BLACK & DECKER PEUT RÉSOUDRE LE PROBLÈME PAR  
TÉLÉPHONE. SI VOUS AVEZ UNE SUGGESTION OU UN COMMENTAIRE, APPELEZ-NOUS. VOS  
IMPRESSIONS SONT CRUCIALES POUR BLACK & DECKER.

### CONSERVER CE MANUEL POUR UN USAGE ULTÉRIEUR.

## IMPORTANT RENSEIGNEMENTS :

- Garder le patin fermement contre la surface de travail.
- Charger la pile pendant 9 heures avant d'utiliser l'outil pour la première fois. Pour obtenir plus d'information, visitez la section « CHARGEMENT DU BLOC-PILE ».

## ⚠ RÈGLES DE SÉCURITÉ GÉNÉRALES CONCERNANT LES OUTILS À PILES

⚠ **AVERTISSEMENT : LIRE, COMPRENDRE ET SUIVRE TOUTES LES DIRECTIVES** précisées ci-dessous afin d'éviter les risques de choc électrique, d'incendie ou de blessure grave.

### ZONE DE TRAVAIL

- **S'assurer que la zone de travail est propre et bien éclairée.** Des établis encombrés et des endroits sombres présentent des risques d'accidents.
- **Ne pas utiliser des outils électriques en présence de vapeurs explosives (comme celles dégagées par des liquides, des gaz ou des poussières inflammables).** Les étincelles générées par le moteur des outils électriques peuvent enflammer les poussières ou les vapeurs.
- **Éloigner les curieux, les enfants et les visiteurs de la zone de travail lorsqu'on utilise un outil électrique.** Une distraction peut entraîner la perte de maîtrise de l'outil.

### MESURES DE SÉCURITÉ RELATIVES À L'ÉLECTRICITÉ

- Les outils à double isolation comportent une fiche polarisée (une lame plus large que l'autre). La fiche n'entre que d'une façon dans une prise polarisée. Lorsque la fiche n'entre pas à fond dans la prise, essayer de nouveau après avoir inversé les broches de la fiche. Si la fiche n'entre toujours pas dans la prise, communiquer avec un électricien certifié afin de faire installer une prise polarisée. Ne modifier en aucune façon la fiche. La double isolation élimine le besoin d'un cordon trifilaire mis à la terre et d'un système d'alimentation mis à la terre.
- **Éviter de toucher à des surfaces mises à la terre comme des tuyaux, des radiateurs, des cuisinières et des réfrigérateurs.** Les risques sont alors plus élevés si le corps de l'utilisateur est mis à la terre.
- **Protéger les outils électriques de la pluie ou des conditions mouillées.** Une infiltration d'eau dans l'outil augmente les risques de secousses électriques.
- **Manipuler le cordon avec soin.** Ne jamais se servir du cordon afin de transporter l'outil ni tirer sur le cordon pour débrancher l'outil. Éloigner le cordon des sources de chaleur, des flaques d'huile, des arêtes tranchantes et des pièces mobiles. Remplacer immédiatement

les cordons endommagés. Les cordons endommagés augmentent les risques de secousses électriques.

• **Lorsqu'on utilise un outil électrique à l'extérieur, se servir d'un cordon de rallonge prévu pour l'extérieur, portant la mention "W-A" ou "W".** Ces cordons sont conçus pour servir à l'extérieur et minimisent les risques de secousses électriques.

### SÉCURITÉ PERSONNELLE

- **Demeurer vigilant, prendre soin et faire preuve de jugement lorsqu'on utilise un outil électrique.** Ne pas s'en servir lorsqu'on est fatigué ou affaibli par des drogues, de l'alcool ou des médicaments. De graves blessures peuvent résulter d'un moment d'inattention lors de l'utilisation d'un outil électrique.
- **Porter des vêtements appropriés. Éviter de porter des vêtements amples ou des bijoux. Recouvrir la chevelure si elle est longue.** Éloigner les cheveux, les vêtements et les gants des pièces en mouvement qui peuvent les happer.
- **Éviter les démarrages accidentels. S'assurer que l'interrupteur est en position hors tension avant de brancher l'outil.** Afin d'éviter les risques de blessures, ne pas transporter l'outil avec le doigt sur l'interrupteur ni brancher un outil dont l'interrupteur est en position sous tension.
- **Enlever les clés de réglage avant de mettre l'outil sous tension.** Une clé qui est laissée sur une pièce rotative de l'outil présente des risques de blessures.
- **Ne pas dépasser sa portée. Garder son équilibre en tout temps.** On s'assure d'une meilleure maîtrise de l'outil dans des situations imprévues grâce à une position stable et un bon équilibre.
- **Porter de l'équipement de sécurité. Toujours porter des lunettes de sécurité.** Dans certaines conditions, il faut porter des masques respiratoires, des chaussures antidérapantes, un casque de sécurité ou des protège-tympans.

### UTILISATION ET ENTRETIEN DE L'OUTIL

- **Utiliser des pinces de serrage ou de tout autre moyen pratique afin de fixer et de soutenir la pièce à ouvrir sur une plate-forme stable.** La pièce est instable lorsqu'elle est retenue par la main ou le corps de l'utilisateur. Cela présente des risques de perte de maîtrise de l'outil.
- **Ne pas forcer l'outil. Utiliser l'outil approprié à la tâche.** L'outil approprié fonctionne mieux et sûrement lorsqu'on s'en sert à son rendement nominal.
- **Ne pas se servir de l'outil lorsque l'interrupteur est défectueux.** Le cas échéant, l'outil est dangereux et il faut le réparer.
- **Débrancher l'outil de la source d'alimentation avant de le régler, d'en remplacer les accessoires ou de le ranger.** On minimise de la sorte le risque de démarrage accidentel de l'outil.
- **Ranger l'outil hors de portée des enfants et de toute autre personne qui n'en connaît pas le fonctionnement.** L'outil est dangereux entre les mains de ces personnes.
- **Prendre soin des outils. S'assurer que les outils de coupe sont tranchants et propres.** Des outils bien entretenus à arêtes tranchantes ont moins tendance à se coincer et ils se maîtrisent mieux.
- **Vérifier l'alignement et les attaches des pièces mobiles, le degré d'usure des pièces ainsi que tout autre facteur susceptible de nuire au bon fonctionnement de l'outil.** Faire réparer un outil endommagé avant de s'en servir. Des outils mal entretenus sont la cause de nombreux accidents.
- **Utiliser seulement les accessoires recommandés par le fabricant.** Des accessoires qui conviennent à un outil peuvent présenter des risques avec un autre outil.

### ENTRETIEN

- **Confier l'entretien de l'outil seulement à du personnel qualifié.** Le non-respect de la présente directive présente des risques de blessures.
- **Lors de l'entretien de l'outil, utiliser seulement des pièces de rechange identiques.** Respecter les consignes relatives à l'entretien du présent guide d'utilisation. Il y a risque de secousses électriques ou de blessures lorsqu'on utilise des pièces non autorisées ou lorsqu'on ne respecte pas les consignes relatives à l'entretien.

### CONSIGNES DE SÉCURITÉ PARTICULIÈRES

- **Tenir l'outil par les surfaces isolées prévues à cette fin lorsqu'il risque d'entrer en contact avec des fils cachés ou son propre cordon,** car de tels contacts peuvent mettre les pièces métalliques de l'outil sous tension, engendrant des risques de choc électrique.
- **Faire preuve d'une grande prudence en réalisant des coupes à bout de bras afin d'éviter les fils électriques aériens cachés. Anticiper la direction dans laquelle les branches coupées et les débris se détacheront et tomberont au sol.**
- **Garder les mains éloignées des zones de coupe.** Ne pas mettre les mains sous la pièce pour quelque raison que ce soit. Saisir la section profilée à l'avant de l'outil. Ne pas mettre les doigts ou le pouce près de la lame à va-et-vient ni de sa bride de serrage. Ne pas stabiliser la scie en saisissant le patin.
- **Maintenir les lames bien aiguisées en tout temps;** les lames usées peuvent faire dévier la scie ou faire caler le moteur lorsqu'on exerce une pression sur l'outil.
- **Saisir les surfaces isolées de l'outil lorsqu'on s'en sert là où il pourrait y avoir des fils sous tension et lorsqu'il pourrait entrer en contact avec son propre fil.** En cas de contact avec un fil sous tension, les composantes métalliques à découvert de l'outil deviendraient sous tension et l'utilisateur subirait des secousses électriques.
- **⚠ AVERTISSEMENT : Certains outils électriques, tels que les sableuses, les scies, les meules, les perceuses ou certains autres outils de construction, peuvent produire de la poussière contenant des produits chimiques susceptibles d'entraîner le cancer, des malformations congénitales ou pouvant être nocifs pour le système reproductif.** Parmi ces produits chimiques, on retrouve :
  - le plomb dans les peintures à base de plomb,
  - la silice cristalline dans les briques et le ciment et autres produits de maçonnerie,
  - l'arsenic et le chrome dans le bois de sciage ayant subi un traitement chimique (comme l'arséniate de cuivre et de chrome).

Le risque associé à de telles expositions varie selon la fréquence avec laquelle on effectue ces travaux. Pour réduire l'exposition à de tels produits, il faut travailler dans un endroit bien aéré et utiliser le matériel de sécurité approprié, tel un masque anti-poussières spécialement conçu pour filtrer les particules microscopiques.

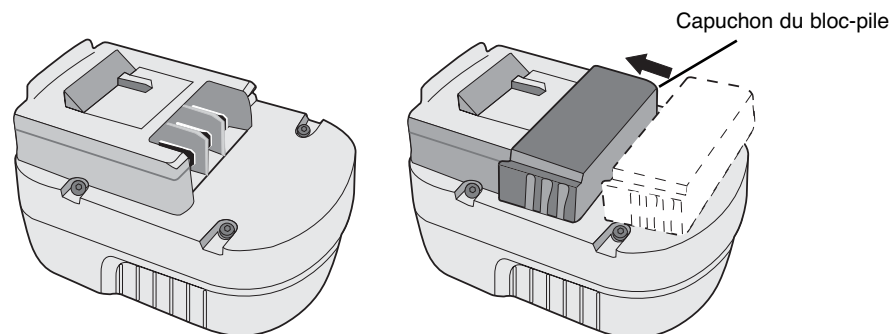
- **Éviter tout contact prolongé avec la poussière soulevée par cet outil ou autres outils électriques. Porter des vêtements de protection et nettoyer les parties exposées du corps à l'eau savonneuse.** S'assurer de bien se protéger afin d'éviter d'absorber par la bouche, les yeux ou la peau des produits chimiques nocifs.
- **⚠ AVERTISSEMENT : Cet outil peut produire et répandre de la poussière susceptible de causer des dommages sérieux et permanents au système respiratoire.** Toujours utiliser un appareil respiratoire anti-poussières approprié approuvé par le NIOSH ou l'OSHA. Diriger les particules dans le sens opposé du visage et du corps.
- **⚠ MISE EN GARDE : porter un dispositif de protection personnel anti-bruit approprié durant l'utilisation.** Sous certaines conditions et pendant toute la durée de l'utilisation, le bruit émanant de ce produit pourrait contribuer à la perte d'audition.
- **⚠ AVERTISSEMENT : Ne pas utiliser cet outil pendant des périodes prolongées.** Les vibrations causées par l'action de fonctionnement de l'outil peuvent blesser en permanence les doigts, les mains et les bras. Porter des gants pour amortir les vibrations, faire des pauses fréquentes et limiter le temps d'utilisation quotidien de l'outil.

L'étiquette de l'outil peut comporter les symboles suivants.

V .....	volts	A .....	ampères
Hz .....	hertz	W .....	watts
min .....	minutes	~ .....	courant alternatif
==== .....	courant continu	No .....	sous vide
☐ .....	Construction de classe II	⊕ .....	borne de mise à la minute
⚠ .....	symbole d'avertissement	.../min .....	tours ou courses à la minute
🔒 .....	Symbole de verrouillage en position d'arrêt		
🔓 .....	Symbole de verrouillage en position de marche		
🔓 .....	Symbole de déverrouillage rapide de la position de marche		

### INFORMATION CONCERNANT LE CAPUCHON DU BLOC-PILE

Un capuchon est fourni avec le bloc-pile en vue d'être utilisé chaque fois qu'on retire ce dernier de l'outil ou du chargeur en vue de le ranger ou de le transporter; enlever le capuchon avant de remettre le bloc-pile dans le chargeur ou dans l'outil.



**AVERTISSEMENT** : S'assurer, au moment de ranger ou de transporter un bloc-pile ou une pile, qu'aucun objet métallique n'entre en contact avec leurs bornes à découvert de celui-ci. Par exemple, il faut éviter de placer un bloc-pile ou une pile sans capuchon dans un tablier, une poche, une boîte à outils ou un tiroir (etc.) contenant des objets tels que des clous, des vis ou des clés, car tout contact entre les bornes à découvert et un objet métallique comme une clé, une pièce de monnaie, un outil à main, etc. pourrait causer un incendie. En effet, les règlements américains Hazardous Material Regulations (HMR) du US Department of Transportation interdisent le transport d'un bloc-pile ou d'une pile dans tout moyen de transport commercial ou aéronautique (que ce soit dans une valise ou le bagage de cabine) SAUF s'ils sont bien protégés contre les courts-circuits. On doit donc s'assurer, lorsqu'on transporte un bloc-pile ou une pile séparément, de bien protéger et isoler les bornes contre tout matériau qui risque d'entrer en contact avec eux et de causer un court-circuit.

## MESURES DE SÉCURITÉ : CHARGEMENT

- Le présent guide renferme d'importantes directives relatives à la sécurité et au fonctionnement.
- Avant d'utiliser le chargeur de piles, bien lire toutes les directives et les mises en garde qui se trouvent sur (1) le chargeur de piles, (2) l'ensemble de piles et (3) le produit utilisant l'ensemble de piles.
- MISE EN GARDE** : Afin de minimiser les risques de blessures, charger seulement des ensembles de piles Black & Decker. D'autres types de piles pourraient exploser et causer des blessures et des dommages.
- Protéger le chargeur de la pluie et de la neige.
- L'utilisation d'accessoires non recommandés ni vendus par Black & Decker présente des risques d'incendie, de secousses électriques ou de blessures.
- Il vaut mieux tirer sur la fiche que sur le cordon pour débrancher le chargeur afin de minimiser les risques de dommages à la fiche et au cordon.
- S'assurer que le cordon est situé de sorte qu'on ne puisse marcher dessus, y trébucher, l'endommager ou le soumettre à toute autre contrainte.
- Utiliser un cordon de rallonge seulement en cas d'absolue nécessité. L'utilisation d'un cordon de rallonge inapproprié présente des risques d'incendie ou de secousses électriques.
  - Les cordons bifilaires peuvent être utilisés avec un cordon de rallonge muni de 2 ou de 3 fils. Il faut seulement utiliser des cordons de rallonge à gaine ronde homologués par l'organisme américain Underwriters Laboratories (U.L.). Lorsque le cordon de rallonge est utilisé à l'extérieur, il doit être prévu à cet effet. Tout cordon extérieur peut servir à l'intérieur. Les lettres «W» ou «WA» sur la gaine du cordon indiquent que celui-ci convient pour une utilisation à l'extérieur.
  - Les cordons de rallonge doivent être faits de conducteurs de calibre approprié (AWG ou jauge américaine des fils) par mesure de sécurité et afin de prévenir les pertes de puissance et les surchauffes. Le numéro de calibre du fil est inversement proportionnel à la capacité du cordon. Ainsi, un cordon de calibre 16 a une capacité supérieure à un cordon de calibre 18. Lorsqu'il est nécessaire d'utiliser plus d'un cordon de rallonge, veiller à ce que chaque cordon ait au moins le calibre minimal.

L'outil FS1800RS utilise n'importe quels blocs-piles 18 V et chargeurs de blocs-piles 18 V indiqués dans le tableau ci-dessous. Veuillez consulter les modes d'emploi spécifiques à chaque chargeur pour les mesures en matière de sécurité et les directives de fonctionnement.

Bloc-piles coulissants de 18 V		Chargeurs pour bloc-piles coulissants de 18 V	
No. de cat.	Description	No. de cat.	Description
FSB18	Pile Firestorm de 18 v	FS18C	Chargeur-cuvette de 18 v
FS180BX	Pile FSXtreme de 18 v	FS180DC	Chargeur à double sorties de 18 v
FS18BX	Pile FSXtreme 18 V - 3 bornes	FS18RC	Chargeur-radio de 18 v
FS18SBX	Pile FSXtreme série Silver de 18 v	5104211-00	Chargeur à triple sorties de 18 v
HPB18	Pile Black & Decker de 18 v	FSMVC	Chargeur rapide de 9,6 v à 18 v
		FS240FC	Chargeur une heure de 9,6 v à 24 v
		FS2400DC	Chargeur une heure à double sorties de 9,6 v à 24 v

## Notes importantes relatives au chargement

### CONSEILS IMPORTANTS CONCERNANT LE CHARGEMENT

- À la suite d'une utilisation normale, le bloc-pile devrait prendre de 3 à 9 heures pour se charger complètement, et jusqu'à 9 heures s'il est complètement déchargé. Le bloc-pile n'est pas chargé au moment de quitter l'usine; on doit donc le charger pendant au moins 9 heures avant de l'utiliser.
- Afin d'éviter d'endommager le bloc-pile, il est important de NE PAS le charger à des températures inférieures à +4,5 °C (+40 °F) ou supérieures à +40,5 °C (+105 °F). Pour augmenter la durée de vie du bloc-pile et optimiser son rendement, le charger à une température d'environ 24°C (75 °F).
- Le chargeur peut émettre un bourdonnement ou devenir chaud au toucher durant le chargement. Cela est normal et n'indique pas la présence d'un problème.
- Si le bloc-pile ne se charge pas normalement, il faut : (1) vérifier l'alimentation de la prise en y enfichant une lampe ou un appareil, (2) s'assurer que la prise n'est pas raccordée à un interrupteur qui coupe le courant lorsqu'on éteint les lumières, (3) placer le chargeur et le bloc-pile dans un endroit où la température ambiante est environ +4,5 °C (+40 °F) à +40,5 °C (+105 °F) ou, si le problème persiste, (4) retourner le bloc-pile et le chargeur au centre de service Black & Decker le plus près (les centres de service autorisés sont répertoriés dans les pages jaunes sous la rubrique «Outils - électriques»).
- Le bloc-pile doit être rechargé lorsqu'il ne produit pas suffisamment de courant pour permettre à l'utilisateur de travailler normalement. On doit CESSER d'utiliser la scie dans de telles conditions.

- On peut prolonger la durée de vie du bloc-pile en évitant de le laisser dans le chargeur pendant de longues périodes (plus de 30 jours lorsqu'on ne l'utilise pas). Bien que la surcharge du bloc-pile ne soit pas un problème au niveau de la sécurité, cette pratique peut réduire de façon appréciable sa durée de vie.
- Lorsqu'on insère le bloc-pile dans le chargeur, le témoin rouge s'allume pour indiquer que le contact entre le bloc-pile et le chargeur s'est établi; celui-ci reste allumé tant que le bloc-pile est dans le chargeur et que ce dernier est enfiché dans une prise sous tension. Le témoin **NE CLIGNOTERA PAS**, ne s'éteindra pas et ne changera pas de couleur une fois la période de charge terminée.
- Le bloc-pile atteindra son rendement optimal après avoir terminé cinq cycles de charge et de décharge au cours d'une utilisation normale. Il n'est pas nécessaire de décharger complètement le bloc-pile avant de le recharger. Le meilleur moyen de charger et de décharger le bloc-pile est de l'utiliser normalement.

## FONCTIONNEMENT

**MISE EN GARDE** : toujours porter des lunettes de protection lorsqu'on utilise l'outil.

**REMARQUE** : avant de procéder à la coupe, s'assurer que l'ouvrage soit fermement ancré ou fixé afin de l'empêcher de glisser.

- Déposer doucement la lame et le protège-lame sur le matériau à couper.
- Mettre le moteur en marche et le laisser atteindre sa vitesse maximale avant d'exercer de la pression sur la scie.
- Toujours saisir fermement la scie avec les deux mains durant la coupe (tel qu'illustré à la figure 1) et, dans la mesure du possible, tenir fermement le protège-lame contre l'ouvrage afin d'empêcher la scie de sauter ou de vibrer et d'éviter de la briser.

## INTERRUPTEUR À GÂCHETTE (FIGURE 2)

Déverrouiller la scie en appuyant sur le bouton illustré à la figure 2, d'un côté ou de l'autre de la scie. Enfoncer l'interrupteur à gâchette pour mettre le moteur en MARCHÉ, et le relâcher pour l'ARRÊTER; en relâchant l'interrupteur à gâchette, on provoque l'enclenchement automatique du bouton de verrouillage. **REMARQUE** : cette scie ne peut pas être verrouillée en position «marche»; on ne doit donc jamais tenter de bloquer l'interrupteur en cette position par d'autres moyens.

## LEVIER DE DÉGAGEMENT DE LA BRIDE DE SERRAGE (FIGURE 3)

**MISE EN GARDE** : ARRÊTER L'OUTIL ET RETIRER LA PILE.

*Installation de la lame :*

- Ouvrir complètement le levier de dégagement de la bride de serrage, tel qu'illustré à la figure 3.
- Insérer la tige de la lame dans la partie avant de la scie.
- Fermer le levier de dégagement.

*Retrait de la lame :*

- Ouvrir complètement le levier de dégagement de la bride de serrage.
- Retirer la lame.

## COUPE AU RAS (FIGURE 4)

- La forme compacte du carter du moteur et du protège-lame de la scie alternative permet d'effectuer des coupes près d'un plancher ou d'un coin, ou à tout autre endroit difficile à atteindre.
- Pour profiter au maximum de ces capacités, insérer l'arbre de la lame dans la bride de serrage de cette dernière, en s'assurant de diriger les dents de la lame vers le haut.
- Tourner la scie à l'envers de manière à ce qu'elle soit aussi près que possible de la surface de travail.

## COUPE DU BOIS (FIGURE 5)

- Avant de procéder, s'assurer que l'ouvrage soit fermement ancré ou fixé afin de l'empêcher de glisser.
- Déposer doucement la lame et le protège-lame sur le matériau à couper.
- Mettre le moteur en marche avant d'exercer de la pression sur la scie.
- Toujours saisir fermement la scie avec les deux mains durant la coupe et, dans la mesure du possible, tenir fermement le protège-lame contre l'ouvrage afin d'empêcher la scie de sauter ou de vibrer et d'éviter de la briser.

## COUPE DU MÉTAL

- Utiliser une lame à dents fines pour les métaux ferreux et une lame à grosses dents pour les métaux non ferreux.
- Lorsqu'on coupe de la tôle mince, il est préférable d'y fixer un morceau de bois de chaque côté afin d'assurer une coupe précise sans vibrations excessives et d'éviter de déchirer la tôle.
- Éviter de forcer la lame afin de prolonger sa durée de vie et de ne pas briser ce coûteux accessoire.

**REMARQUE** : appliquer une mince couche d'huile ou d'autre liquide de refroidissement le long de la ligne de coupe devant la scie pour faciliter le travail et prolonger la durée de vie de la lame; en présence d'aluminium, on recommande d'utiliser du kérosène.

## COUPE EFFECTUÉE À PARTIR DE L'INTÉRIEUR DU MATÉRIAU - BOIS SEULEMENT (FIGURE 6)

- Mesurer la surface de coupe et marquer celle-ci clairement au moyen d'un crayon à mine, d'une craie ou d'une pointe à tracer.
- Insérer la lame prévue pour cette coupe dans la bride de serrage et serrer fermement cette dernière.
- Pencher la scie vers l'arrière jusqu'à ce que le dos du protège-lame repose sur la surface de travail.
- Mettre l'outil en marche et laisser la lame atteindre sa vitesse maximale.
- Saisir fermement la poignée et remonter lentement mais sûrement la scie jusqu'à ce que la lame coupe le matériau. Avant de faire avancer la scie le long de la ligne de coupe, s'assurer que la lame ait complètement pénétré le matériau.

**REMARQUE** : lorsqu'il est difficile de voir la lame, se guider au moyen du bord du protège-lame.

## CONSEILS

- Utiliser seulement des lames aiguisées pour obtenir des coupes plus rapides et précises en évitant de forcer le moteur.
- Lorsqu'on effectue la coupe, toujours s'assurer que le patin repose contre l'ouvrage afin de mieux maîtriser ce dernier et de réduire autant que possible les vibrations.
- On peut se procurer des lames droites ou légèrement angulaires. Lorsqu'on utilise la première pour couper du bois, incliner légèrement la scie par rapport au plan de coupe pour obtenir une coupe supérieure.
- Pour prolonger la durée de vie de la scie, utiliser des lames bi-métalliques dotées d'un support en acier au carbone soudé aux dents en acier à haute vitesse, car elles sont plus souples et ont moins tendance à se briser.

## DÉPANNAGE

Problème	Cause possible	Solution possible
L'appareil refuse de démarrer.	Mauvaise installation de la batterie. Pile non chargée.	Vérifier l'installation de la batterie. Vérifier les exigences de charge pour la pile.

- La pile ne se charge pas.
  - Pile non insérée dans le chargeur.
  - Insérer la pile dans le chargeur de sorte que le voyant DEL rouge apparaisse.
  - Brancher le chargeur dans une prise qui fonctionne. Se reporter à la rubrique «Remarques importantes de chargement» pour plus de renseignements.
  - Déplacer le chargeur et l'outil à une température ambiante de plus de 4,5 °C (40 °F) ou sous les 40,5 °C (105 °F) 105 degree F (+40,5°C).
- Chargeur non branché.
- Température ambiante trop chaude ou froide.

Pour de l'aide avec l'outil, consulter notre site Web [www.blackanddecker.com](http://www.blackanddecker.com) pour l'emplacement du centre de réparation le plus près ou communiquer avec l'assistance BLACK & DECKER au **1-800-544-6986**.

## ENTRETIEN

**RETIRER LA PILE AVANT D'EFFECTUER LE NETTOYAGE OU L'ENTRETIEN. N'UTILISER QUE DES PIÈCES DE RECHANGE IDENTIQUES.**

- Éviter de nettoyer les pièces en plastique au moyen de solvants, lesquels peuvent endommager la plupart d'entre elles. Enlever la saleté, les poussières de charbon, etc. au moyen d'un linge propre.
- Les outils électriques utilisés sur les bateaux, voitures ou autres articles en fibre de verre ont tendance à s'user plus rapidement et peuvent faire l'objet d'une défaillance prématurée, car les éclats et la poudre de fibre de verre sont très abrasifs pour les coussinets, les brosses, les commutateurs, etc. Lorsqu'on utilise l'outil pour couper la fibre de verre, il est extrêmement important de le nettoyer fréquemment au moyen d'un jet d'air sous pression.

## LUBRIFICATION

**RETIRER LA PILE AVANT D'EFFECTUER LE NETTOYAGE OU L'ENTRETIEN.**

L'outil a été lubrifié en usine et doit être retourné à un centre de service Black & Decker ou à un centre autorisé une fois l'an, pour un nettoyage, une inspection et une lubrification complets. Les outils qui ne sont pas utilisés pendant de longues périodes de temps doivent être lubrifiés avant leur utilisation.

**IMPORTANT :** pour assurer la SÉCURITÉ et la FIABILITÉ de cet outil, toutes les opérations de réparation, d'entretien et de réglage doivent être effectuées par un centre de service autorisé ou qualifié; seules des pièces de rechange identiques doivent être utilisées.

## ACCESSOIRES

La scie alternative FIRESTORM<sup>MC</sup> FS1800RS accepte les lames d'une longueur pouvant atteindre 30,4 cm (12 po).

Toujours utiliser la lame la plus courte possible pour la tâche à effectuer, car les lames plus longues ont tendance à se plier ou à s'endommager en cours d'utilisation, et certaines peuvent en outre vibrer ou osciller lorsque la scie n'est plus en contact avec l'ouvrage.

Les accessoires recommandés pour chaque outil sont vendus chez les dépositaires locaux ou les centres de service autorisés. Pour obtenir plus d'information sur les accessoires, composer le **1 800 544-6986**.

⚠ **AVERTISSEMENT :** l'usage d'un accessoire non recommandé peut présenter un danger.

## LE SCEAU RBRC<sup>mc</sup>\*

Le sceau RBRC<sup>mc</sup> de la pile au nickel-cadmium indique que Black & Decker défraie le coût du recyclage de la pile à la fin de sa durée utile. Le programme RBRC<sup>mc</sup> offre une solution de rechange pratique à la mise au rebut des piles au nickel-cadmium usées, que ce soit à la poubelle ou dans le système municipal car cette mise au rebut est illégale à certains endroits.

L'organisme RBRC en collaboration avec Black & Decker et d'autres utilisateurs de piles a mis sur pied des programmes aux États-Unis afin de faciliter la collecte des piles au nickel-cadmium usées. Pour aider à préserver l'environnement et à conserver les ressources naturelles, il suffit de retourner les piles au nickel-cadmium usées à un centre de service Black & Decker ou chez le détaillant de la région pour qu'elles soient recyclées. On peut également communiquer avec le centre de recyclage de la région afin de savoir où déposer les piles usées, ou composer le **1 (800) 822-8837**.

\*RBRC<sup>mc</sup> est une marque de commerce de l'organisme américain Rechargeable Battery Recycling Corporation.



## Renseignements relatifs au service

Black & Decker exploite un réseau complet de centres de service et d'ateliers d'entretien autorisés par toute l'Amérique du Nord. Le personnel de tous les centres de service Black & Decker a reçu la formation voulue pour assurer l'entretien efficace et fiable des outils électriques.

Pour obtenir des renseignements d'ordre technique, des conseils relatifs aux réparations ou des pièces de rechange d'origine, communiquer avec le centre de service Black & Decker de la région. On peut trouver l'adresse du centre de service de la région dans l'annuaire des Pages Jaunes à la rubrique «Outils électriques» ou en composant le numéro suivant : **1 (800) 544-6986**.

## Garantie complète de deux ans pour utilisation domestique

Black & Decker garantit le produit pour une période de deux ans contre les vices de matière ou de fabrication. Le produit défectueux sera réparé ou remplacé sans frais conformément à l'une des conditions suivantes.

Pour échanger l'outil, il suffit de le retourner au détaillant (si le détaillant participe au programme d'échange rapide Black & Decker). Le retour doit être effectué dans les délais impartis par la politique de retour du détaillant (habituellement entre 30 et 90 jours suivant la date d'achat). Le détaillant peut exiger une preuve d'achat. Prière de vérifier la politique de retour du détaillant au-delà des délais impartis.

On peut également retourner l'outil (port payé) à un centre de service Black & Decker ou à tout autre atelier d'entretien accrédité pour y être remplacé ou réparé, à notre gré. On peut exiger une preuve d'achat. Les adresses des centres de service Black & Decker se trouvent à la rubrique «Outils électriques» des Pages Jaunes.

La présente garantie ne vaut pas pour les accessoires. Les modalités de la présente garantie donnent des droits légaux spécifiques. L'utilisateur peut également se prévaloir d'autres droits selon l'état ou la province qu'il habite. Pour obtenir de plus amples renseignements, communiquer avec le directeur du centre de service Black & Decker de la région. Le produit n'est pas conçu pour un usage commercial.

## REMARQUE À L'INTENTION DES ENTREPRENEURS CONCERNANT LA GARANTIE SPÉCIALE

Les produits de marque FIRESTORM<sup>MD</sup> sont des outils haut de gamme destinés aux consommateurs et comportent une garantie pour usage résidentiel seulement. Ces outils sont conçus, fabriqués et mis à l'essai en vue de répondre aux besoins du bricoleur, ou de les dépasser, lorsque ce dernier réalise des projets ou effectue des réparations à l'intérieur ou à l'extérieur de sa résidence. Utilisés correctement, ces outils procurent à l'utilisateur un rendement et une puissance supérieurs qui excèdent de loin la période de garantie de deux ans. Par contre, tout outil utilisé à des fins commerciales ou tout produit de marque FIRESTORM<sup>MD</sup> ou tout autre produit Black & Decker réservé à un usage résidentiel, utilisé dans le cadre d'une activité reliée au travail, n'est pas couvert par la présente garantie.

Imported by / Importé par  
Black & Decker Canada Inc.  
100 Central Ave.  
Brockville (Ontario) K6V 5W6

Voir la rubrique "Outils électriques"  
des Pages Jaunes  
pour le service et les ventes.



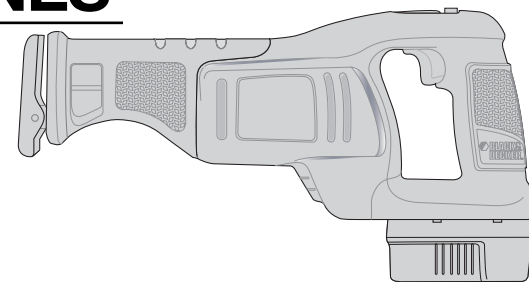
**FIRESTORM**<sup>®</sup>  
HIGH PERFORMANCE TOOLS

OUTILS À HAUT RENDEMENT  
HERRAMIENTAS DE ALTO RENDIMIENTO

BY **BLACK & DECKER**

## Sierra caladora inalámbrica de 18 Voltios

# MANUAL DE INSTRUCCIONES



Número de catálogo  
**FS1800RS**

¡GRACIAS POR ELEGIR FIRESTORM! VAYA A  
[WWW.FIRESTORMTOOLS.COM/PRODUCTREGISTRATION](http://WWW.FIRESTORMTOOLS.COM/PRODUCTREGISTRATION)  
PARA REGISTRAR SU NUEVO PRODUCTO.

**ANTES DE DEVOLVER ESTE PRODUCTO POR CUALQUIER MOTIVO, LLAME AL (55)5326-7100**

ANTES DE LLAMAR, TENGA EL NÚMERO DE CATÁLOGO Y EL CÓDIGO DE FECHA PREPARADOS. EN

LA MAYORÍA DE LOS CASOS, UN REPRESENTANTE DE BLACK & DECKER PUEDE RESOLVER EL PROBLEMA POR TELÉFONO. SI DESEA REALIZAR UNA SUGERENCIA O COMENTARIO, LLÁMENOS.

SU OPINIÓN ES FUNDAMENTAL PARA BLACK & DECKER.

## INFORMACIÓN CLAVE QUE DEBE CONOCER:

- Conserve la zapata apoyada firmemente contra la superficie de trabajo.
- Cargue la batería por 9 horas antes de utilizar la herramienta por primera vez. Para mayor información vea "CÓMO CARGAR LA UNIDAD DE ALIMENTACIÓN".

## CONSERVE ESTE MANUAL PARA FUTURAS CONSULTAS.

### ⚠ **NORMAS GENERALES DE SEGURIDAD – PARA TODAS LAS HERRAMIENTAS QUE FUNCIONAN CON BATERÍA**

⚠ **ADVERTENCIA! LEA TODAS LAS INSTRUCCIONES HASTA COMPRENDERLAS.** No ajustarse a las instrucciones siguientes puede ser causa de choque eléctrico, incendio o lesiones graves.

### CONSERVE ESTAS INSTRUCCIONES

#### AREA DE TRABAJO

- **Conserve su área de trabajo limpia y bien iluminada.** Los bancos con objetos acumulados y las áreas oscuras propician los accidentes.
- **No opere herramientas eléctricas en atmósferas explosivas, como en presencia de líquidos inflamables, gases o polvos.** Las herramientas eléctricas crean chispas que pueden originar la ignición de los polvos o vapores.
- **Conserve alejados a espectadores, niños y visitantes mientras opera la herramienta.** Las distracciones pueden ocasionar que pierda el control.

#### SEGURIDAD ELECTRICA

- **Las herramientas con doble aislamiento están equipadas con una clavija polarizada (con una pata más ancha que la otra.) Esta clavija se acoplará únicamente en una toma de corriente polarizada de una manera. Si la clavija no se acopla al contacto, invírtala. Si aún así no se ajusta, comuníquese con un electricista calificado para que le instalen una toma de corriente polarizada apropiada. No cambie la clavija por ningún motivo.** El doble aislamiento  elimina la necesidad de cables con tres hilos y sistemas de alimentación con conexión a tierra.
- **Evite el contacto corporal con superficies aterrizadas tales como tuberías, radiadores, hornos y refrigeradores.** Hay un gran riesgo de choque eléctrico si su cuerpo hace tierra.
- **NO exponga las herramientas eléctricas a la lluvia o a condiciones de mucha humedad.** El agua que se introduce en las herramientas aumenta el riesgo de descargas eléctricas.
- **NO maltrate el cable.** Nunca tome el cable para transportar una herramienta ni para desconectarla de la toma de corriente. Consérvelo alejado de calor, aceite, bordes afilados o piezas móviles. Cambie inmediatamente los cables dañados. Los cables dañados aumentan el riesgo de choque eléctrico.
- **Cuando opere una herramienta eléctrica a la intemperie, utilice una extensión marcada "W-A" o "W".** Estas extensiones están clasificadas para uso a la intemperie y para reducir el riesgo de choques eléctricos.

#### SEGURIDAD PERSONAL

- **Esté alerta, concéntrese en lo que haga y utilice el sentido común al operar una herramienta eléctrica. No utilice la herramienta si se encuentra cansado o bajo la influencia de drogas, alcohol o medicamentos.** Un momento de distracción al operar herramientas eléctricas puede originar una lesión de gravedad.
- **Vístase de manera adecuada. No utilice ropas sueltas ni piezas de joyería. Cubra su cabello si lo tiene largo. Conserve cabello, ropas y guantes alejados de las piezas móviles.** Las ropas sueltas, las joyas y el cabello largo pueden quedar atrapados en las piezas móviles.
- **Evite el encendido accidental. Asegúrese que el interruptor esté en posición de apagado antes de conectar.** Sostener una herramienta con el dedo en el interruptor o conectarla sin fijarse si el interruptor está en posición de encendido propicia los accidentes.
- **Retire las llaves de ajuste antes de encender la herramienta.** Una llave colocada en una parte móvil de la herramienta puede ocasionar una lesión personal.
- **No se sobreextienda. Conserve siempre bien apoyados los pies, lo mismo que el equilibrio.** El apoyo correcto permite mayor control de la herramienta en situaciones inesperadas.
- **Utilice equipo de seguridad. Protéjase siempre los ojos.** Deben emplearse máscaras contra polvo, calzado antiderrapante, cascos y protección auditiva como medidas básicas de seguridad.

#### USO Y CUIDADOS DE LA HERRAMIENTA

- **Utilice prensas u otros medios prácticos para asegurar y apoyar las piezas de trabajo a una plataforma estable.** Sujetar las piezas con la mano o contra su cuerpo es inestable y puede llevar a la pérdida del control.

- **No fuerce la herramienta. Emplee la herramienta apropiada para su aplicación.** La herramienta correcta hará mejor el trabajo y de manera más segura bajo las especificaciones para las que se diseñó.
- **No emplee la herramienta si el interruptor no funciona.** Cualquier herramienta que no pueda controlarse con el interruptor es peligrosa y debe ser reparada.
- **Desconecte la clavija de la alimentación de corriente antes de hacer cualquier ajuste, cambio de accesorios o antes de guardarla.** Estas medidas preventivas reducen el riesgo de encender la herramienta accidentalmente.
- **Guarde fuera del alcance de los niños o de otras personas no calificadas las herramientas que no emplee.** Las herramientas son peligrosas en manos inexpertas.
- **Cuide sus herramientas. Conserve las herramientas de corte limpias y afiladas.** Las herramientas cuyas piezas de corte han recibido mantenimiento y están bien afiladas son menos propensas a atascarse y son más controlables.
- **Verifique la alineación de las piezas móviles, rupturas y cualesquiera otras condiciones que puedan afectar la operación de la herramienta. Si su herramienta está dañada, hágale servicio antes de usarla de nuevo.** Se originan muchos accidentes debido a herramientas con poco mantenimiento.
- **Utilice únicamente los accesorios recomendados por el fabricante para su modelo de herramienta.** Los accesorios adecuados para una herramienta pueden volverse peligrosos en otra.

#### SERVICIO

- **El servicio a las herramientas lo debe efectuar únicamente personal calificado.** El servicio o mantenimiento realizado por personal no calificado puede originar riesgos de lesiones.
- **Cuando efectúe servicio a una herramienta, utilice únicamente refacciones idénticas. Siga las instrucciones señaladas en la sección de mantenimiento de este manual.** El uso de partes no especificadas o las fallas al seguir las instrucciones de mantenimiento pueden originar riesgos de choque eléctrico o lesiones personales.

#### NORMAS ESPECÍFICAS DE SEGURIDAD

- **Sujete la herramienta por sus empuñaduras aisladas si lleva a cabo una operación en que la herramienta pueda tocar cables eléctricos ocultos o su propio cable.** El contacto con un cable activo provocará que las piezas metálicas de la herramienta se carguen y que el operador reciba una descarga eléctrica.
- **Sea en extremo cuidadoso al realizar cortes por encima de su cabeza y ponga especial atención a cables aéreos que pueden estar ocultos. Anticipe el trayecto de caída de las ramas y residuos por adelantado.**
- **Mantenga sus manos fuera del área de corte.** Nunca se incline por debajo del material por ningún motivo. Sujete la parte frontal de la sierra asíéndola por el área contorneada de agarre. No inserte los dedos o el pulgar cerca de la hoja de vaivén o el sujetador de la hoja. No establezca la sierra asíéndola por la platina.
- **Mantenga las hojas afiladas.** Las hojas sin filo pueden hacer que la sierra se desvíe o se atasque al estar bajo presión.
- **ADVERTENCIA: Parte del polvo generado al lijar, serrar, esmerilar y taladrar, así como al realizar otras actividades del sector de la construcción, contienen productos químicos que pueden producir cáncer, defectos congénitos u otras afecciones reproductivas.** Ejemplos de esas substancias químicas son:
  - plomo procedente de pinturas a base de plomo
  - óxido de silicio cristalino procedente de ladrillos, cemento y otros productos de mampostería, y
  - arsénico y cromo procedentes de madera tratada químicamente (CCA)

El peligro derivado de estas exposiciones que usted enfrente varía en función de la frecuencia con que se realice este tipo de trabajo. Para reducir la exposición a esas sustancias químicas: trabaje en una zona bien ventilada y llevando equipos de seguridad aprobados, como mascarillas antipolvo especialmente diseñadas para filtrar partículas microscópicas.

- **Evite el contacto prolongado con el polvo procedente del lijado, serrado, esmerilado y taladrado eléctricos, así como de otras actividades del sector de la construcción. Lleve ropa protectora y lave con agua y jabón las zonas expuestas. Si permite que el polvo se introduzca en la boca u ojos o quede sobre la piel, puede favorecer la absorción de productos químicos peligrosos.**
- **ADVERTENCIA: El uso de esta herramienta puede generar o dispersar polvo lo cual puede causar lesiones respiratorias serias y permanentes y otros tipos de lesión.** Siempre use protección respiratoria aprobada por NIOSH/OSHA para la exposición al polvo. Dirija las partículas en dirección opuesta a su cara y cuerpo.
- **PRECAUCIÓN: Utilice la protección auditiva apropiada durante el uso.** Bajo ciertas condiciones y según el período de uso, el ruido de este producto puede contribuir a la pérdida de audición.
- **ADVERTENCIA: No opere esta herramienta durante períodos largos de tiempo.** La vibración causada por la acción de operación de esta herramienta puede causar lesiones permanentes a los dedos, las manos y los brazos. Utilice guantes para una mayor amortiguación, tome descansos frecuentes y limite el tiempo de uso diario.

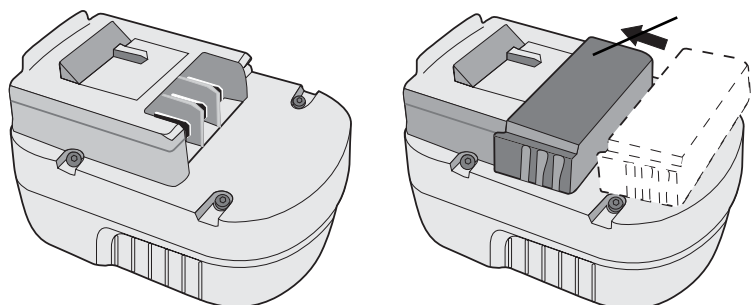
La etiqueta de su herramienta puede incluir los siguientes símbolos.

V .....	volts	A .....	amperes
Hz .....	hertz	W .....	watts
min .....	minutos	~ .....	corriente alterna
==== .....	corriente directa	n <sub>o</sub> .....	velocidad sin carga
☐ .....	construcción clase II	⊕ .....	terminales de conexión a tierra
⚠ .....	símbolo de alerta seguridad	...../min .....	revoluciones o reciprocaciones por minuto
🔒 .....	Símbolo de seguro activado		
🔓 .....	Símbolo de seguro desactivado		
⚡ .....	Símbolo de desaseguramiento rápido		

#### INFORMACIÓN RESPECTO A LA TAPA PARA LA BATERÍA

Se proveen tapas para batería para uso cuando ésta se encuentre fuera de la herramienta o el cargador. Quite la tapa antes de colocar la batería en el cargador o la herramienta.

Protector de la batería



- **ADVERTENCIA:** No guarde ni lleve baterías, unidades de alimentación o pilas en un lugar donde sus terminales pudieran entrar en contacto con algún objeto metálico. Por ejemplo, no ponga baterías, unidades de alimentación o pilas dentro de un delantal o bolsillo, una caja de herramientas o de almacenamiento del producto, un cajón, etc., junto con clavos sueltos, tornillos, llaves, etc. si no están debidamente protegidas. El transporte de baterías, unidades de alimentación o pilas puede causar un incendio si sus terminales entran en contacto sin querer con materiales conductores como llaves, monedas, herramientas de mano y otros por el estilo. De hecho, el reglamento sobre materiales peligrosos (HMR) del Ministerio de Transporte de los Estados Unidos prohíbe el transporte de baterías, unidades de alimentación o pilas en cualquier tipo de transporte terrestre o aéreo (es decir, embaladas en maletas y maletines de mano) A NO SER que estén debidamente protegidas de hacer cortocircuito. Por lo tanto, cuando transporte baterías, unidades de alimentación o pilas individuales, asegúrese que sus terminales estén protegidos y debidamente aislados de materiales que pudieran entrar en contacto con ellos y causar un cortocircuito.

#### ADVERTENCIAS E INSTRUCCIONES DE SEGURIDAD: CARGA

1. Este manual contiene instrucciones de seguridad y de operación importantes.
2. Antes de utilizar el cargador de baterías, lea todas las instrucciones y las marcas precautorias en (1) el cargador de baterías, (2) la batería y (3) el producto que emplea la batería.

3. **PRECAUCIÓN:** A fin de reducir el riesgo de lesiones, solamente recargue baterías Black & Decker. Otros tipos de baterías pueden estallar ocasionando lesiones personales y daños.
4. No exponga el cargador a lluvia o nieve.
5. El uso de dispositivos no recomendados o vendidos por Black & Decker puede originar riesgos de incendios, descargas eléctricas o lesiones a personas.
6. Para reducir el riesgo de daños a la clavija o al cable, tire de la clavija en vez de tirar del cable cuando desconecte el cargador.
7. Asegúrese que el cable se ubique de manera que no se pise, se enrolle, o se sujete a otro tipo de tensiones o daños.
8. No deben emplearse cables de extensión a menos que sea absolutamente indispensable. El empleo de una extensión incorrecta puede resultar en riesgos de incendio, choque eléctrico o electrocución.
  - a. Los cables de 2 hilos se pueden emplear con extensiones de 2 o de 3 hilos. Solamente deberán emplearse extensiones con cubierta cilíndrica, y le recomendamos que estén aprobados por la Norma Oficial Mexicana (NOM). Si se piensa utilizar la extensión a la intemperie, ésta deberá ser adecuada para dicho uso. Cualquier extensión marcada para utilizarse a la intemperie se puede emplear bajo techo. las siglas "W" o "WA" en la cubierta de la extensión indican que es adecuada para utilizarse a la intemperie.
  - b. Una extensión debe tener el calibre de cable adecuado (AWG o American Wire Gauge) por seguridad, y a fin de evitar pérdida de potencia y sobrecalentamiento. Mientras más pequeño sea el número del calibre del alambre, mayor será su capacidad; esto significa que un cable de calibre 16 tiene mayor capacidad que otro de calibre 18. Cuando emplee más de una extensión para alcanzar la longitud total, asegúrese que cada extensión tenga por lo menos el calibre mínimo requerido.

#### TABLA PARA EL CALIBRE MINIMO DEL ALAMBRE (AWG) EN CABLES DE EXTENSION

##### AMPERAJE EN LA PLACA DE IDENTIFICACION - 0 - 10,0

Longitud total del cable de extensión (m)	7,6	15,2	22,8	30,4	38,1	45,7
Calibre del alambre	18	18	16	16	14	14

9. Solamente utilice el cargador suministrado para recargar su taladro. El empleo de cualquier otro cargador puede dañar el taladro o crear condiciones peligrosas.
10. Solamente utilice un cargador cuando cargue.
11. Nunca intente abrir el cargador ni el taladro. No contienen partes susceptibles de ser reparadas por el usuario en su interior. Envíelos a cualquier centro de servicio Black & Decker.
12. NO incinere el taladro o la batería aún cuando estén muy dañados o la batería esté completamente desgastada. Pueden explotar con el fuego. Puede ocurrir una pequeña fuga de líquido de las celdas de la batería bajo condiciones extremas de uso, carga o temperatura. Esto no indica fallas, sin embargo, si el sello externo está roto y el líquido hace contacto con su piel:
  - a. Lave inmediatamente con agua y jabón.
  - b. Neutralice con un ácido débil como jugo de limón o vinagre.
  - c. Si el líquido de la batería toca sus ojos, enjuáguelos con agua limpia por un mínimo de 10 minutos y busque inmediatamente atención médica. **NOTA MEDICA:** el líquido es una solución de potasa cáustica en concentración de 25 a 35%.

La herramienta FS1800RS es compatible con cualquiera de las Baterías en paquete deslizante de 18 V y Cargadores para baterías en paquete deslizante de 18 V que figuran en el siguiente cuadro. Consulte los manuales de cada cargador para ver todas las instrucciones de seguridad y funcionamiento.

##### Baterías en paquete deslizante de 18 V

Nº de catálogo	Descripción
FSB18	Batería de 18V Firestorm
FS180BX	Batería de 18V FSXtreme
FS18BX	Batería FSXtreme de 18 voltios con 3 bornes
FS18SBX	Batería de 18V FSXtreme - Serie Silver
HPB18	Batería de 18V Black & Decker

##### Cargadores en paquete deslizante de 18 V

Nº de catálogo	Descripción
FS18C	Cargador de base de 18V
FS180DC	Cargador de dos puertos de 18V
FS18RC	Cargador de radio de 18V
5104211-00	Cargador de tres puertos de 18V
FSMVC	Cargador rápido de 9,6V a 18V
FS240FC	Cargador de una hora de 9,6V a 24V
FS2400DC	Cargador de una hora de dos puertos de 9,6V a 24V

#### Notas importantes sobre la carga

1. Luego de uso normal su batería debería recargarse totalmente en un plazo de 3 a 9 horas. En el caso de que se encuentre totalmente descargado puede demorar hasta 9 horas en recargarse. Su batería fue enviada desde la fabrica sin estar cargada. Antes de intentar usarlo debe cargarse durante 9 horas.
2. NO CARGUE la batería a una temperatura inferior a 40°F ni mayor a 105°F. Esto es muy importante y asistirá en prevenir daños serios a la batería. Una vida útil duradera y el máximo rendimiento pueden obtenerse a una temperatura de 75°F.
3. Mientras este cargando la batería, el cargador puede en algunos casos emitir un zumbido y su temperatura puede aumentar ligeramente. Esta es una condición normal que no implica ningún problema.
4. En caso de que el cargador no cargue adecuadamente - (1) Verifique la corriente en el receptáculo enchufando una lámpara o accesorio similar a la toma de corriente. (2) Verifique si el receptáculo esta conectado a una toma de luz que apaga la corriente al apagar las luces. (3) Mueva la batería y el cargador a una temperatura ambiente de 40°F a 105°F. (4) Si el receptáculo esta en buen estado y la temperatura es la correcta y no logra cargar la batería, lleve o envíe su batería y cargador a un centro Black & Decker cercano a su domicilio. Ver bajo Herramientas Eléctricas en las paginas amarillas de su Anuario telefónico.
5. El cargador debe recargarse cuando ya no produce suficiente energía para labores que se realizaban fácilmente con anterioridad. NO CONTINUE A UTILIZAR SU SIERRRA con la batería si éstas se encuentran sin energía.
6. Para prolongar la vida útil de la batería, evite que esté cargándose durante periodos de tiempo largos (Mas de 30 días sin uso). Aun cuando una sobrecarga no es un factor de seguridad, puede afectar considerablemente su vida útil.
7. Cuando la batería se encuentra insertado en el cargador, el "Indicador de Carga" rojo se encenderá indicando que existe contacto entre la batería y el cargador. La luz permanecerá encendida mientras la batería se encuentre en el cargador y el mismo se encuentra enchufado a la toma de corriente. En caso de que **NO SE ENCIENDA**, retire o cambie a un color diferente cuando el ciclo este completo.
8. El cargador alcanzara su rendimiento óptimo luego de haber completado 5 ciclos bajo uso normal. No hay necesidad de dejar que se descarguen totalmente las baterías antes de recargarlas. El uso normal es el mejor método para descargar y recargar las baterías.

#### OPERACIÓN

• **ATENCIÓN:** Use siempre protección ocular mientras utiliza esta herramienta eléctrica. **NOTA:** Antes de cortar cualquier material, asegúrese de que el material está firmemente anclado o prensado para impedir que se deslice.

- Coloque la hoja y la calza suavemente contra la pieza a cortar.
- Prenda el motor de la sierra y espere hasta que tenga velocidad máxima antes de aplicar presión.
- Siempre sujete la sierra firmemente con ambas manos mientras corta, según se ilustra en la Figura 1. Siempre que sea posible, se debe mantener la calza firmemente contra el material a cortar. Esto impedirá que la sierra salte o vibre y minimiza las roturas en la hoja.

#### INTERRUPTOR DE DISPARO (FIGURA 2)

Libere el dispositivo de cierre y cámbielo a la posición no-cerrada de cualquiera de los lados de la sierra, como lo ilustra la Fig. 2. Apriete el interruptor de disparo para PRENDER el motor (ON). Soltar el interruptor para APAGAR el motor (OFF). **NOTA:** Esta herramienta no tiene dispositivo para inmovilizar el interruptor en la posición PRENDIDA (ON), y nunca se debe inmovilizar en esta posición mediante algún otro medio.

#### PALANCA PARA LIBERAR LA HOJA DE SIERRA (FIGURA 3)

##### ATENCIÓN: APAGUE LA HERRAMIENTA YQuite LAS BATERÍAS.

##### Para instalar la hoja en la sierra:

1. Abrir la palanca de liberación del sujetador de la hoja de sierra a su máxima posición abierta como se ilustra en la Figura 3.

- Insertar la espiga de la hoja por la parte delantera.
- Cerrar la palanca de liberación del sujetador de la hoja.

#### Para quitar la hoja de la sierra:

- Abrir la palanca de liberación del sujetador de la hoja a su máxima posición de abertura.
- Quitar la hoja.

#### CORTE ENRASANTE (FIGURA 4)

- El diseño compacto de la cubierta del motor de la sierra alternativa y la calza pivotante permiten cortar prácticamente al ras de los pisos, esquinas y otras áreas difíciles.
- Para maximizar el corte enrasante, insertar la espiga de la hoja en el sujetador con los dientes de la hoja hacia arriba.
- Invertir la sierra para estar lo más cerca posible de la superficie que se va a trabajar.

#### CORTE EN MADERA (FIGURA 5)

- Antes de cortar cualquier tipo de madera, asegúrese de que la pieza esté firmemente anclada para impedir que se deslice.
- Coloque la hoja y la calza suavemente contra la pieza a cortar.
- Prenda el motor de la sierra antes de aplicar presión.
- Siempre sujete la sierra firmemente con ambas manos mientras corta. Siempre que sea posible, se debe mantener la calza firmemente contra el material a cortar. Esto impedirá que la sierra salte o vibre y minimiza las roturas en la hoja.

#### CORTE EN METAL

- Use una hoja más fina para metales ferrosos y una más gruesa para materiales no ferrosos.
- Para láminas de calibre delgado es mejor prensarlas con madera a ambos lados de la lámina. Esto asegurará un corte limpio, sin vibración excesiva o desgarre del metal.
- Evite forzar la hoja de corte ya que esto reduce la vida de la misma y ocasiona roturas costosas.

**NOTA:** Es conveniente extender una película delgada de aceite u otro fluido refrigerante a lo largo de la línea de corte para una operación más fácil, además de alargar la vida de la hoja. Para cortar aluminio, es preferible utilizar kerosene.

#### CORTES TIPO BOLSILLO – MADERA SOLAMENTE (FIGURA 6)

- Mida el área de la superficie a cortar y marque claramente con un lápiz, tiza o punta trazadora.
- Inserte la hoja para estos cortes en el sujetador y atornille bien.
- Incline la sierra hacia atrás hasta que el borde posterior de la calza descansa sobre la superficie a trabajar.
- Prenda el motor, y espere a que la hoja tenga la velocidad máxima.
- Agarre el mango con firmeza y comience un movimiento hacia arriba con el mango de la sierra, de manera deliberada y lenta.
- La hoja comenzará a penetrar el material. Asegúrese de que la hoja haya atravesado el material completamente antes de continuar con el corte tipo bolsillo.

**NOTA:** En áreas donde la visibilidad de la sierra es limitada, use el borde de la calza como guía.

#### CONSEJOS

- Corte solo con hojas afiladas; cortan más limpio, más rápido y significa menos tensión para el motor a la hora de cortar.
- Al cortar, asegúrese siempre de que la calza descansa contra la pieza a trabajar. Esto mejora el control del operador y minimiza la vibración.
- Para que las hojas de sierra duren más, use hojas bimetálicas. El dorso de la hoja en acero al carbono viene soldado a los dientes de acero de alta velocidad, lo cual la hace más flexible y menos propensa a romperse.

DETECCIÓN DE PROBLEMAS		
Problema	Causa posible	Solución posible
• La unidad no enciende.	• La batería no está bien instalada.  • La batería no carga.	• Verifique la instalación de la batería. • Verifique los requisitos de carga de la batería.
• La batería no carga.	• La batería no está insertada en el cargador.  • El cargador no está enchufado.  • Temperatura ambiental demasiado caliente o demasiado fría.	• Inserte la batería en el cargador hasta que se encienda la luz roja (LED). • Enchufe el cargador en un tomacorriente que funcione. Para conocer más detalles, consulte "Notas importantes sobre la carga". • Mueva el cargador y la herramienta a un ambiente con una temperatura superior a 4,5 °C (40 °F) o inferior a 40,5 °C (105 °F).

Para conocer la ubicación del centro de mantenimiento más cercano a fin de recibir ayuda con su producto, visite nuestro sitio Web [www.blackanddecker.com](http://www.blackanddecker.com) o llame a la línea de ayuda BLACK & DECKER al (55)5326-7100.

#### MANTENIMIENTO

##### QUITE LAS BATERÍAS DE LA SIERRA AL EFECTUAR LIMPIEZA U OTRO TIPO DE MANTENIMIENTO. PARA SERVICIO USE ÚNICAMENTE REPUESTOS ORIGINALES.

- Evite usar solventes cuando limpia las partes en plástico. La mayoría de los plásticos son susceptibles a varios tipos de solventes comerciales y pueden dañarse si se usan. Use paños limpios para quitar el sucio, polvo de carbono, etc.
- Cuando se usan herramientas eléctricas en fibra de vidrio, como barcos, carros de carreras, o en mampostería en seco "drywall", etc., las mismas están sujetas a desgaste acelerado y posiblemente falla prematura, ya que las astillas y las amoladuras de la fibra de vidrio y el polvo del "drywall" actúan en forma altamente abrasiva en los cojinetes, escobillas, barras colectoras, etc. Cuando se usa la herramienta en fibra de vidrio o mampostería seca, es extremadamente importante limpiar la herramienta frecuentemente mediante un dispositivo de chorro de aire.

#### LUBRICACIÓN

##### QUITE LAS BATERÍAS DE LA SIERRA AL EFECTUAR LIMPIEZA U OTRO TIPO DE MANTENIMIENTO

La herramienta viene perfectamente lubricada desde fábrica. Lleve su herramienta a un centro de servicio Black & Decker o un centro de servicio autorizado para una limpieza y lubricación completa una vez por año. Las herramientas "fuera de servicio" por mucho tiempo, deberán relubrificarse antes de volverlas a utilizar.

**IMPORTANTE:** Para garantizar la SEGURIDAD y FIABILIDAD del producto, toda reparación, mantenimiento y ajuste debe efectuarse en los centros de servicio autorizados u otras organizaciones de servicio calificados, utilizando siempre para ello repuestos originales.

#### ACCESORIOS

La sierra alternativa FS1800RS FIRESTORM™ acepta hojas de hasta 12 pulgadas de largo. Use siempre la hoja más corta indicada para su proyecto. Las hojas más largas son más susceptibles a doblarse o dañarse durante la operación. Algunas de las hojas más largas podrían vibrar o temblar si la sierra no se mantiene en contacto con la pieza que se está trabajando.

Los accesorios que se recomiendan usar con su herramienta están disponibles en su centro de servicio local o centro de servicio autorizado. Si necesita ayuda para obtener un accesorio, favor llamar al: (55) 5326-7100.

⚠ **ADVERTENCIA:** Puede ser peligroso usar cualquier accesorio no recomendado.

#### EL SELLO RBRC™

El sello RBRC™ en las baterías de níquel-cadmio indica que Black & Decker participa voluntariamente en un programa industrial para recolectar y reciclar estas baterías al término de su vida útil, cuando se retiran de servicio dentro de los Estados Unidos. El programa RBRC™ proporciona una conveniente alternativa para el depósito en los lotes de basura municipales de las baterías de níquel-cadmio desgastadas, hecho que es ilegal en algunas regiones.

Los pagos de Black & Decker a RBRC™ hacen más sencillo para usted deshacerse de sus baterías desgastadas con los distribuidores de baterías de níquel-cadmio de su localidad, o en los centros de servicio autorizado Black & Decker. También puede comunicarse al centro

de reciclaje de su localidad para que le informen de los lugares a los que puede regresar las baterías desgastadas. La entrada de Black & Decker a este programa es parte de su compromiso para proteger nuestro medio ambiente y conservar los recursos naturales.

#### INFORMACIÓN DE SERVICIO

Black & Decker ofrece una red completa de centros de servicio propiedad de la compañía y franquiciados a través de toda Norteamérica. Todos los centros de servicio Black & Decker cuentan con personal capacitado para proporcionar el servicio a herramientas más eficiente y confiable.

Siempre que necesite consejo técnico, reparaciones o partes de repuesto genuinas, comuníquese con el centro Black & Decker más cercano a usted.

Para encontrar su centro de servicio local, consulte la sección amarilla bajo "Herramientas eléctricas", o llame al: (55) 5326-7100.

#### GARANTÍA PARA USO DOMÉSTICO POR DOS AÑOS COMPLETOS

Black & Decker (U.S.) garantiza este producto por dos años completos contra cualquier falla originada por materiales o mano de obra defectuosos. El producto defectuoso será reemplazado o reparado sin cargo alguno en cualquiera de las siguientes dos maneras:

La primera, que resulta únicamente en cambios, es regresar el producto al vendedor al que se compró (en la suposición que es un distribuidor participante). Las devoluciones deberán hacerse dentro del tiempo estipulado por la política de cambios del distribuidor (usualmente de 30 a 90 días después de la venta). Se puede requerir prueba de compra. Por favor verifique con el vendedor las políticas específicas de devolución relacionadas a las devoluciones en tiempo posterior al estipulado para cambios.

La segunda opción es llevar o enviar el producto (con porte pagado) a los centros de servicio Black & Decker propios o autorizados, para que la reparemos o reemplacemos a nuestra opción. Se puede requerir prueba de compra. Los centros de servicio Black & Decker propios y autorizados están enlistados bajo "Herramientas eléctricas" en la sección amarilla del directorio telefónico.

Esta garantía no se aplica a los accesorios. Esta garantía le otorga derechos legales específicos, y usted puede tener otros que varíen de estado a estado. Si tiene usted cualquier pregunta, comuníquese con el gerente del centro de servicio Black & Decker más cercano. Este producto no está destinado a uso comercial.

#### Nota especial de GARANTÍA para Contratistas:

Los productos de marca FIRESTORM™ se ofrecen como herramientas de calidad superior para uso doméstico y llevan una GARANTÍA PARA USO DOMÉSTICO. Estas herramientas son diseñadas, fabricadas y probadas para satisfacer o sobrepasar las necesidades del bricolero en la ejecución de proyectos y reparaciones en su casa y sus alrededores. El uso apropiado de esta herramienta le dará al dueño de casa una potencia y un desempeño superiores que durarán mucho más que la garantía de dos años. Sin embargo, si utiliza herramientas para su trabajo y usa productos de marca FIRESTORM™ o cualquiera de las herramientas para uso doméstico Black & Decker EN SU LUGAR DE TRABAJO, debería saber que NO PODRÁ SER CUBIERTO BAJO NUESTRA GARANTÍA.

#### ESPECIFICACIONES

Cargador: 120 Vac, 60Hz,9W Salida: 21,75 Vdc @ 210mA

#### Para reparación y servicio de sus herramientas eléctricas, favor de dirigirse al Centro de Servicio más cercano:

##### CULIACAN, SIN

Av. Nicolás Bravo #1063 Sur  
(667) 7 12 42 11  
Col. Industrial Bravo

##### GUADALAJARA, JAL

Av. La Paz #1779  
(33) 3825 6978  
Col. Americana Sector Juárez

##### MEXICO, D.F.

Eje Central Lázaro Cardenas  
No. 18  
(55) 5588 9377  
Local D, Col. Obrera

##### MERIDA, YUC

Calle 63 #459-A  
(999) 928 5038  
Col. Centro

##### MONTERREY, N.L.

Av. Francisco I. Madero  
No.831  
(81) 8375 2313  
Col. Centro

##### PUEBLA, PUE

17 Norte #205  
(222) 246 3714  
Col. Centro

##### QUERETARO, QRO

Av. Madero 139 Pte.  
(442) 214 1660  
Col. Centro

##### SAN LUIS POTOSI, SLP

Av. Universidad 1525  
(444) 814 2383  
Col. San Luis

##### TORREON, COAH

Blvd. Independencia, 96 Pte.  
(871) 716 5265  
Col. Centro

##### VERACRUZ, VER

Prolongación Díaz Mirón #4280  
(229)921 7016  
Col. Remes

##### VILLAHERMOSA, TAB

Constitución 516-A  
(993) 312 5111  
Col. Centro

**PARA OTRAS LOCALIDADES LLAME AL: (55) 5326 7100**

Vea "Herramientas eléctricas (Tools-Electric)" – Páginas amarillas – para Servicio y ventas



BLACK & DECKER S.A. DE C.V.  
BOSQUES DE CIDROS ACCESO RADIATAS NO. 42  
COL. BOSQUES DE LAS LOMAS.  
05120 MÉXICO, D.F.  
TEL. 55-5326-7100



## Free Manuals Download Website

<http://myh66.com>

<http://usermanuals.us>

<http://www.somanuals.com>

<http://www.4manuals.cc>

<http://www.manual-lib.com>

<http://www.404manual.com>

<http://www.luxmanual.com>

<http://aubethermostatmanual.com>

Golf course search by state

<http://golfingnear.com>

Email search by domain

<http://emailbydomain.com>

Auto manuals search

<http://auto.somanuals.com>

TV manuals search

<http://tv.somanuals.com>