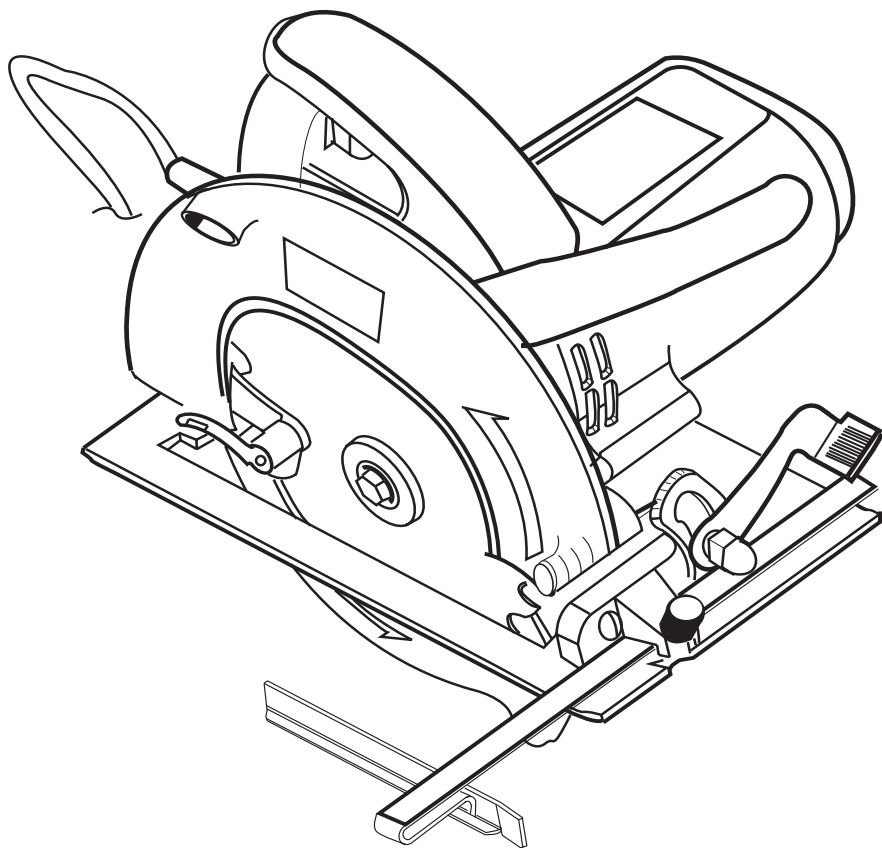


# **BLACK & DECKER®**

# Circular Saw

## Instruction Manual



764272-00

Consistent with our continuing product development, improvements may have been made which render the contents of this instruction manual slightly different to the product received.

# CS718-AE

# Congratulations!

## On the purchase of your Black & Decker circular saw.

To ensure the best results from your circular saw please read these safety and usage instructions carefully.

If you have any questions or queries after reading this user manual please do not hesitate to call our Service Centre.

### **Service Department:**

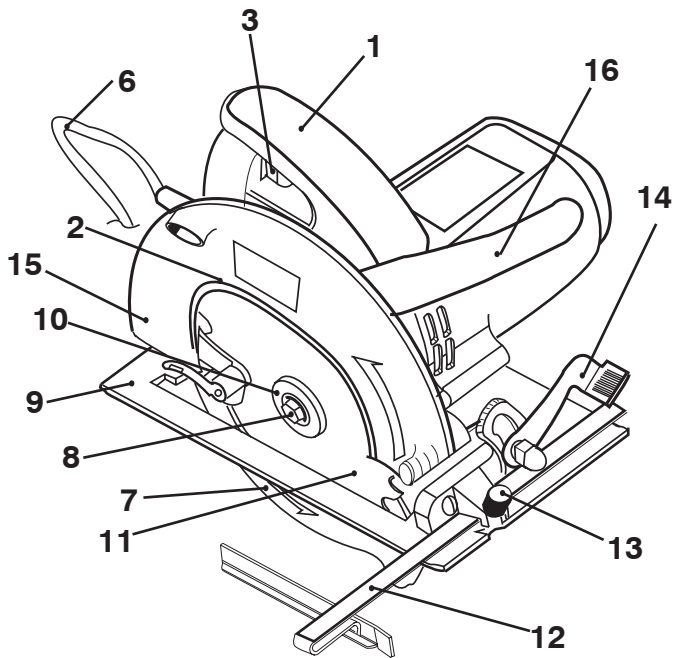
**U.A.E**

PO.Box 5420

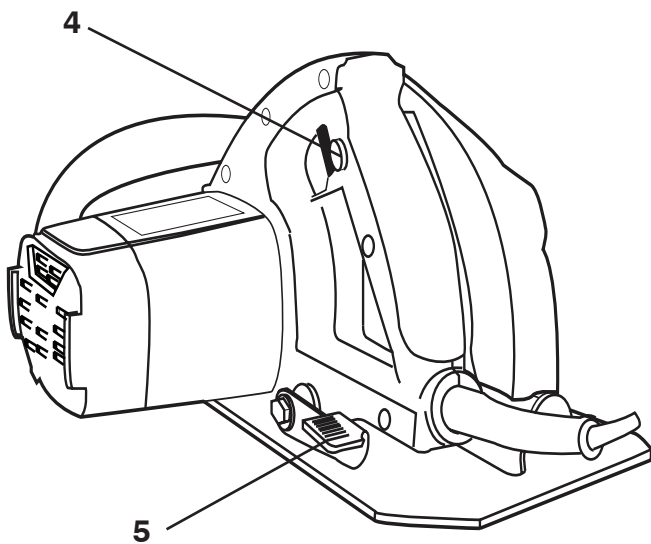
Dubai

Tel: 971-4-7028234

Fax: 971-4-2822765



1. Handle
2. Namplate
3. On/Off Switch
4. Lock-Off button
5. Depth of cut adjusting lever
6. Cordset
7. Lower guard
8. Hex head bolt
9. Shoe/base plate
10. Outer flange
11. Blade
12. Fence
13. Fence locking screw
14. Bevel adjustment lever
15. Upper guard
16. Front handle



# General Safety Rules

**⚠Warning!** Read all instructions. *Failure to follow all instructions listed below may result in electric shock, fire and/or serious injury. The term “power tool” in all of the warnings listed below refers to your mains operated (corded) power tool or battery operated (cordless) power tool.*

## SAVE THESE INSTRUCTIONS.

### 1) Work area

a) **Keep work area clean and well lit.** *Cluttered and dark areas invite accidents.*

b) **Do not operate power tools in explosive atmospheres, such as in the presence of flammable liquids, gases or dust.** *Power tools create sparks which may ignite the dust perfumes.*

c) **Keep children and bystanders away while operating a power tool.** *Distractions can cause you to lose control.*

### 2) Electrical safety

a) **Power tool plugs must match the outlet. Never modify the plug in any way. Do not use any adapter plugs with earthed (grounded) power tools.** *Unmodified plugs and matching outlets will reduce risk of electric shock.*

b) **Avoid body contact with earthed or grounded surfaces such as pipes, radiators, ranges and refrigerators.** *There is an increased risk of electric shock if your body is earthed or grounded.*

c) **Do not expose power tools to rain or wet conditions.** *Water entering a power tool will increase the risk of*

*electric shock.*

d) **Do not abuse the cord. Never use the cord for carrying, pulling or unplugging the power tool. Keep cord away from heat, oil, sharp edges or moving parts.** *Damaged or entangled cords increase the risk of electric shock.*

d) **When operating a power tool outdoors, use an extension cord suitable for outdoor use.** *Use of a cord suitable for outdoor use reduces the risk of electric shock.*

### 3) Personal safety

a) **Stay alert, watch what you are doing and use common sense when operating a power tool. Do not use a power tool while you are tired or under the influence of drugs, alcohol or medication.** *A moment of inattention while operating power tools may result in serious personal injury.*

b) **Use safety equipment. Always wear eye protection.** *Safety equipment such as dust mask, non-skid safety shoes, hard hat, or hearing protection used for appropriate conditions will reduce personal injuries.*

c) **Avoid accidental starting. Ensure the switch is in the off position before plugging in.** *Carrying power tools with your finger on the switch or plugging in power tools that have the switch on invites accidents.*

d) **Remove any adjusting key or wrench before turning the power tool on.** *A wrench or a key left attached to a rotating part of the power tool may result in personal injury.*

e) **Do not overreach. Keep proper footing and balance at all times.** *This enables better control of the power tool in unexpected situations.*

f) **Press properly. Do not wear loose clothing or jewellery.**

**Keep your hair, clothing and gloves away from moving parts.** *Loose clothes, jewellery or long hair can be caught in moving parts.*

g) **If devices are provided for the connection of dust extraction and collection facilities, ensure these are connected and properly used.** *Use of these devices can reduce dust related hazards.*

#### 4) **Power tool use and care**

a) **Do not force the power tool.**

**Use the correct power tool for your application.** *The correct power tool will do the job better and safer at the rate for which it was designed.*

b) **Do not use the power tool if the switch does not turn it on and off.**

*Any power tool that cannot be controlled with the switch is dangerous and must be repaired.*

c) **Disconnect the plug from the power source before making any adjustments, changing accessories, or storing power tools.** *Such preventive safety measures reduce the risk of starting the power tool accidentally.*

d) **Store idle power tools out of the reach of children and do not allow persons unfamiliar with the power tool or these instructions to operate the power tool.** *Power tools are dangerous in the hands of untrained users.*

e) **Maintain power tools. Check**

**for misalignment or binding of moving parts, breakage of parts and any other condition that may affect the power tools operation. If damaged, have the power tool repaired before use.** *Many accidents are caused by poorly maintained power tools.*

f) **Keep cutting tools sharp and clean.** *Properly maintained cutting tools with sharp cutting edges are less likely to bind and are easier to control.*

g) **Use the power tool, accessories and tool bits etc., in accordance with these instructions and in the manner intended for the particular type.**

#### 5) **Service**

a) **Have your power tool serviced by a qualified repair person using only identical replacement parts.** *This will ensure that the safety of the power tool is maintained.*

#### **Additional Safety Instructions**

a) **Young children and the infirm.**

*This appliance is not intended for use by young children or infirm persons without supervision. Young children should be supervised to ensure that they do not play with this appliance.*

b) **Replacement of the supply cord.**

*If the supply cord is damaged, it must be replaced by the manufacturer or an authorised Black & Decker Service Centre in order to avoid a hazard.*

## Additional Safety Instructions For Circular Saw

**⚠Warning!** The use of any accessory or attachment, other than recommended in this instruction manual, may present a risk of personal injury.

**⚠Warning!** Your saw is designed for use with wood cutting blades with a max operating speed above 4800 RPM.

**⚠Warning!** Do Not use blades with a Max operating speed below this speed.

Do not use saw blades which are deformed or cracked.

Do not use saw blades made from High Speed Steel.

Do not use saw blades which do not comply with the characteristics specified within this manual.

Do not stop the saw with lateral pressure on the blade.

Do not lock the moveable guard in the open position.

Ensure the moveable guard operates freely without jamming.

Always ensure the retraction mechanism of the guard operates correctly prior to using the saw each time.

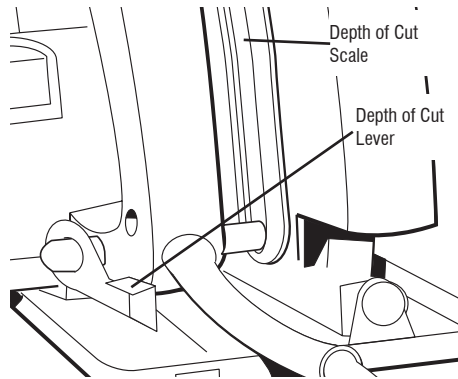
Always remove the plug of the saw from the mains supply before making any adjustments or maintenance to the saw.

## Preparing Your Saw Setting the Depth of Cut.

Remove the plug of the saw from the electricity supply.

Unlock the depth of cut lock adjustment by lifting the depth of cut locking lever.

The depth of cut can now be adjusted by lifting the rear section of the saw body.



A scale referring to the depth of cut is provided as a guide. It is located between the top guard and the rear handle.

Note, the scale is a guide only and where an accurate depth of cut is required, the actual depth of cut should be measured with a rule.

After the desired setting is achieved, lock the depth of cut adjustment by pushing the depth of cut locking lever downwards.

Where the saw blade is required to cut fully through the work piece, the blade should be set to a depth of cut 3 - 5 mm greater than the work piece.

## Fitting and Adjusting the Parallel Fence

Your CS718 Circular Saw includes a parallel fence. This assists in the sawing of a straight line, parallel to the edge of the work piece.

To fit and adjust the parallel fence proceed as follows:

Remove the plug of the saw from the electricity supply.

Loosen the parallel locking screw at the front of the saw shoe.

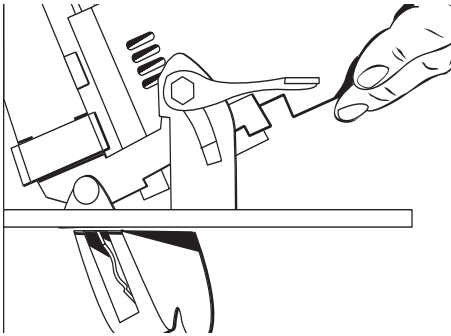
Slide the parallel fence into the slot under the locking screw.

Slide the parallel fence towards the cutting blade until the desired measurement is

obtained between the tooth of the cutting blade and the inner edge of the parallel fence.

To ensure the correct setting, always make a test cut on a scrap piece of timber to ensure the parallel fence has been correctly set to the measurement you require.

## Setting the Bevel Adjustment



Your circular saw can cut angles up to 45 Deg.

To adjust the angle of your circular saw proceed as follows:

Remove the plug of the saw from the electricity supply.

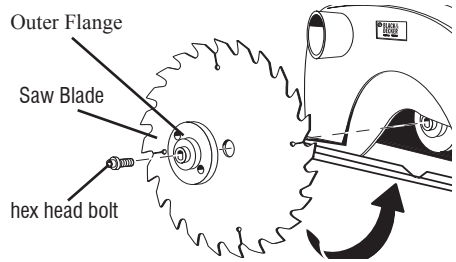
Unlock the bevel adjustment by turning the lock lever clockwise. Move the saw around the bevel scale until the desired angle is indicated. Tighten the bevel lock by rotating anti-clockwise. To ensure the correct setting, always make a test cut on a scrap piece of timber. Make any fine adjustments to the angle if necessary.

## Changing the Blade

Before fitting any blade to the circular saw ensure the max safe working speed of the blade is above 4800RPM.

Remove the plug of the saw from the electricity supply. Never attempt to change the blade while the circular saw is plugged into the electricity supply.

## To Remove the Blade



Adjust the depth of cut of the saw to maximum.

Fully retract the lower guard.

With the lower guard fully open, depress the spindle lock button and rotate the blade until the spindle lock engages the spindle.

With the spindle lock button firmly depressed, rotate the locking screw with the hex spanner in an anti-clockwise direction.

Fully remove the screw and small washer.

Fully remove the outer flange and the saw blade.

## To Fit the Blade

Ensure the inner flange of the saw and is free of any sawdust/ dirt etc.

With the lower guard fully retracted fit the blade ensuring the arrow on the blade is in the same direction as the arrow on the saw cover.

Ensure the blade is sitting flat on the inner flange.

Fit the outer flange ensuring the flange is clean.

Fit the blade locking screw and washer and engage the spindle lock. Tighten the locking screw by rotating with the hex spanner in a clockwise direction.

## Replacement Blades

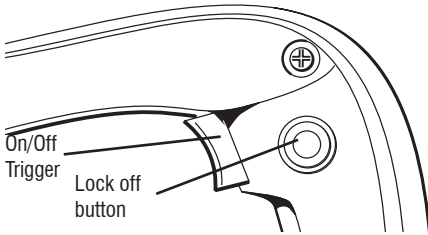
The CS718 Circular Saw is designed to fit the following blade.

Blade	184mm (7 <sup>1</sup> / <sub>4</sub> " )
Bore diameter	20mm
No load speed (min)	4800 RPM

**Important:** The No Load Speed of the saw is 4800 RPM. The saw blade to be fitted must be rated higher than 4800 RPM.

Replacement blades are available from Black & Decker.

## Operating the Circular Saw

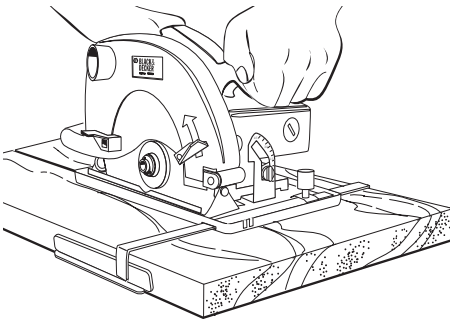


To operate the circular saw, ensure the plug is connected to a standard electrical outlet with the switch turned on.

To turn the saw “On”, depress the small lock off button on the side of the handle and then squeeze the On/Off trigger .

To stop the saw, release the trigger switch.

## Holding the Circular Saw

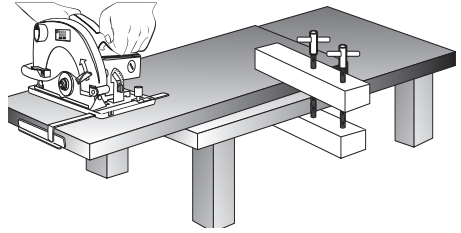


It is important when operating the circular saw that the operator is always in complete control.

The saw is fitted with two handles, one at the rear and one at the front. It is always recommended to use both handles when using the saw.

The front handle is positioned to guide the saw along the path to be cut.

## Workpiece Support

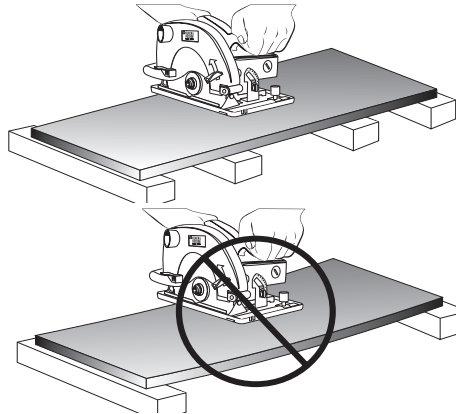


The above diagram shows proper sawing position. Note that the hands are kept away from the cutting area.

**⚠Warning!** It is important to support the work properly and to hold the saw firmly to prevent loss of control which could cause personal injury.

Place the work with the good side, the one on which appearance is most important – down. The saw cuts upward, so any splintering will be on the work face that is up when you saw it.

## Improper Support



- Sagging or improper lifting of the cut off piece will cause pinching of the blade.
- Cutting through material supported at the outer ends only. As the material weakens it sags, closing the kerf and pinching the blade.



- C. Cutting off a cantilevered overhanging piece of material from the bottom in a vertical direction. The falling cut-off piece can pinch the blade.
- D. Cutting off long narrow strips (as in ripping). The cut off strip can sag or twist closing the kerf and pinching the blade.
- E. Snagging the lower guard on a surface below the material being cut can momentarily reduce operator control. The saw can lift partially out of the cut increasing the chance of blade twist.

### **Improper Depth of Cut Setting on the Saw**

Using the saw with an excessive depth of cut setting increases loading on the unit and susceptibility to twisting of the blade in the kerf. It also increases the surface area of the blade available for pinching under conditions of kerf close down.

### **Blade Twisting**

#### **(Misalignment in Cut)**

- A. Pushing harder to cut through a knot, a nail or a hard grain area can cause the blade to twist.
- B. Trying to turn the saw in the cut (trying to get back on the marked line) can cause blade twist.
- C. Extended reach or operating saw with poor control (operator off balance), can result in twisting the blade.
- D. Changing hand grip or body position while cutting can result in blade twist.
- E. Backing unit up to clear blade can lead to twist if not done carefully.

### **Materials that Require Extra Attention**

- A. Wet timber.
- B. Green timber (material freshly cut or not kiln dried).

- C. Pressure treated timber (material treated with preservatives or anti-rot chemicals).

### **Use of Dull or Dirty Blades**

Dull blades cause increased loading of the saw. To compensate, an operator will usually push harder which further loads the unit and promotes the twisting of the blade in the kerf. Worn blades may also have insufficient body clearance which increases the chance of binding and increased loading.

### **To minimise the splintering:**

Do not force the saw.

Cut from the opposite side if possible.

Clamp a thin piece of scrap over the top of the material to be cut. Cut through both the scrap and the original work piece.

Do not overload the saw. Allow the saw to run at close to full speed during operation. Do not force the saw into the work piece. The tool will cut better when the saw is running at close to full speed.

In the event where the saw has been used in a heavy application, or if the saw appears to be hot, run the saw for two minutes unloaded to allow the motor to cool. Always ensure the air intake vents are clear.

### **Kick Back**

When the blade is pinched or bound tightly by the kerf closing down, the blade stalls and the motor reaction drives the unit rapidly backwards towards the operator.

If the blade becomes twisted or misaligned in the cut, the teeth at the back edge of the blade can dig into the top surface of the wood causing the blade to climb out of the kerf and jump backwards towards the operator.

Using dull blades or improperly supported work will increase the tendency for kickback.

Wet timber, green timber or pressure treated

timber require special attention during cutting operation to prevent kickback.

## Line Guide

The right side of the notch in the front of the shoe is the guide for straight 90 degree cuts. The left side of the notch is for 45 degree bevel cuts. The cutting guide notch gives an approximate line of cut since different blade types and thickness alter the line cut. Always make sample cuts in scrap timber to obtain the actual line cut. To minimize splintering, cut the good side down.

## General Cuts

When starting a cut always hold the saw handle with one and the front handle with the other. Never force the saw but maintain a light and continuous pressure.

After completing the cut, allow the saw to come to a complete stop. When cutting is interrupted, resume cutting by allowing the blade to reach full speed and then re-entering the cut slowly.

When cutting across the grain, the fibres of the wood have a tendency to lift and tear. Moving the saw slowly minimises this effect.

## Pocket Cuts

Disconnect the plug from the power supply before making any adjustments. Set the depth adjustment based on the thickness of the material to be cut. Tilt the saw forward with the cutting guide notch on the line drawn for the cut. Raise the lower guard by using the lift lever. With the blade barely above the material to be cut, start the saw and allow the blade to come to full speed. Gradually lower the blade into the material being cut using the front end of the shoe as a pivot point. When the blade starts cutting, release the lower guard. When the shoe is resting flat on the surface being

cut, proceed cutting in a forward direction to the end of the cut. Allow the blade to come to a full stop before removing it from the cut. Never pull the saw backward since the blade will climb out of the cut and kick back will occur. Turn the saw around and finish the cut in a normal manner, sawing forward. Use a jigsaw or a handsaw to finish the cut in the corners, if required.

## Maintenance

1. All bearings are sealed. They are lubricated for life and need no further maintenance.
2. The brushes are designed to give you several years of use. If they ever need replacement return the tool to the nearest service centre for repair.

## Important

To assure product SAFETY and RELIABILITY, repairs, maintenance and adjustment (including brush inspection and replacement) should be performed by authorised service centres or other qualified service organisations, always using identical replacement parts.

## Service Information

Black & Decker offers a full network of company owned and authorized service locations throughout the country. All Black & Decker Service Centers are staffed with trained personnel to provide customers with efficient and reliable power tool service. Whether you need technical advice, repair, or genuine factory replacement parts, contact the Black & Decker location nearest you. To find your local service location, refer to the yellow page directory under "Tools—Electric" or call:

**U.A.E** on 971-4-7028234

## Accessories

**⚠CAUTION:** The use of any non-recommended accessory such as dado sets, molding cutters or abrasive wheels may be hazardous.

## Technical Data

Model:	CS718-AE
Watts	1500 W
No load speed	4800 RPM
Volts AC/Frequency	230V 50Hz
Max depth of cut 90°	63 mm
Max depth of cut 45°	43 mm
Blade diameter	185 mm
Blade bore	20 mm

## Free Manuals Download Website

<http://myh66.com>

<http://usermanuals.us>

<http://www.somanuals.com>

<http://www.4manuals.cc>

<http://www.manual-lib.com>

<http://www.404manual.com>

<http://www.luxmanual.com>

<http://aubethermostatmanual.com>

Golf course search by state

<http://golfingnear.com>

Email search by domain

<http://emailbydomain.com>

Auto manuals search

<http://auto.somanuals.com>

TV manuals search

<http://tv.somanuals.com>