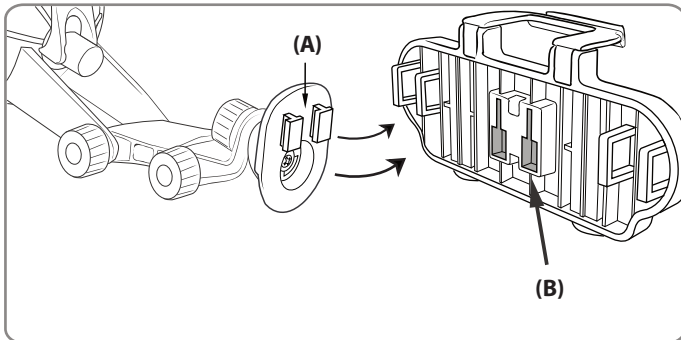


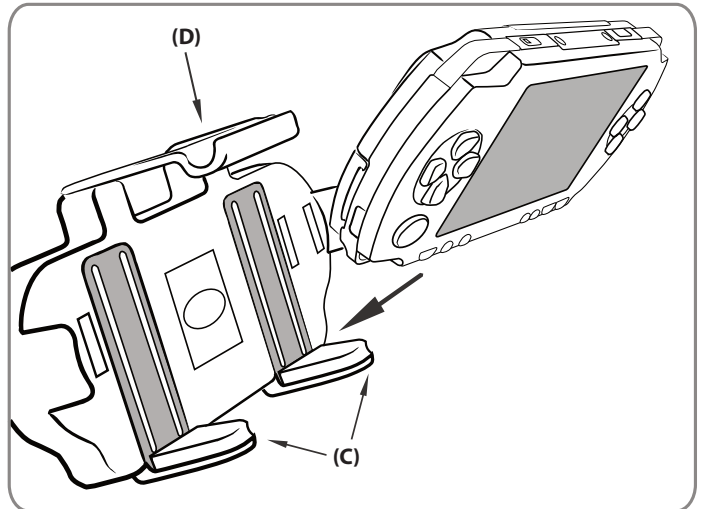


VG085



Cradle Attachment

Step 1. Attach the PSP cradle to the dual-T tab head (A) by inserting the T-tabs into the T-slots (B).



Sony PSP Cradle Instructions

Step 1. Insert PSP into the cradle at a slant so that the base of the PSP comes to rest on the spring loaded support legs (C).

Step 2. While firmly holding the cradle, push downward on the PSP so that the spring loaded support legs slide down. This allows enough clearance for the top of the PSP to slide under the top support clip (D).

Step 3. To remove PSP from cradle follow step 2



Safety Precautions

Do not install Arkon products over an air bag cover or within the air bag deployment zone. Arkon Resources, Inc. assumes no responsibility of liability for injury or death as a result of car crashes and/or air bag deployment.

Arkon Resources, Inc. is not responsible for any damages caused to your car, your device, or yourself due to the installation or use of the pedestal mount.

ARKON
RESOURCES INC.

The Mobile Mounting Specialists™

Consumer Hotline:
(USA) (800) 841-0884
(INT'L) (626) 254-9005
Mon-Fri. 9am-5pm, PST

www.arkon.com
Arcadia, CA 91006 USA
Made in Taiwan

© Copyright 2007 Arkon Resources, Inc.

PSP is a trademark of Sony Computer Entertainment Inc.
Arkon Resources, Inc. is not affiliated with Sony Computer Entertainment Inc.

Free Manuals Download Website

<http://myh66.com>

<http://usermanuals.us>

<http://www.somanuals.com>

<http://www.4manuals.cc>

<http://www.manual-lib.com>

<http://www.404manual.com>

<http://www.luxmanual.com>

<http://aubethermostatmanual.com>

Golf course search by state

<http://golfingnear.com>

Email search by domain

<http://emailbydomain.com>

Auto manuals search

<http://auto.somanuals.com>

TV manuals search

<http://tv.somanuals.com>