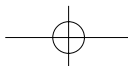


DEWALT Industrial Tool Co., 701 East Joppa Road, Baltimore, MD 21286  
DW223, DW223G, DW223-220, DW235, DW235G, DW235, DW239, DW249

Printed in U.S.A. (JUL02-CD-1) Form No. 385932-02  
Copyright © 2002

The following are trademarks for one or more DEWALT power tools: the yellow and black color scheme; the "D" shaped air intake grill; the array of pyramids on the handgrip; the kit box configuration; and the array of lozenge-shaped humps on the surface of the tool.



**INSTRUCTION MANUAL  
GUIDE D'UTILISATION  
MANUAL DE INSTRUCCIONES**

INSTRUCTIVO DE OPERACIÓN, CENTROS DE SERVICIO Y PÓLIZA  
DE GARANTÍA. **ADVERTENCIA:** LÉASE ESTE INSTRUCTIVO ANTES  
DE USAR EL PRODUCTO.

**DEWALT**®

**DW217/DW221/DW222/DW223/DW223G/DW223-220/DW226/DW231/DW235G  
DW235-220/DW236/DW238/DW239/DW245/DW246/DW248/DW249**

**Drills  
Perceuses  
Taladros**

English

IF YOU HAVE ANY QUESTIONS OR COMMENTS ABOUT THIS OR ANY DeWALT TOOL, CALL US TOLL FREE AT:

**1-800-4-DeWALT (1-800-433-9258)**

**General Safety Rules**

**⚠ WARNING! Read and understand all instructions.** Failure to follow all instructions listed below may result in electric shock, fire and/or serious personal injury.

**SAVE THESE INSTRUCTIONS**

**WORK AREA**

- **Keep your work area clean and well lit.** Cluttered benches and dark areas invite accidents.
- **Do not operate power tools in explosive atmospheres, such as in the presence of flammable liquids, gases, or dust.** Power tools create sparks which may ignite the dust or fumes.
- **Keep bystanders, children, and visitors away while operating a power tool.** Distractions can cause you to lose control.

**ELECTRICAL SAFETY**

- **Grounded tools must be plugged into an outlet properly installed and grounded in accordance with all codes and ordinances.** Never remove the grounding prong or modify the plug in any way. Do not use any adaptor plugs. Check with a qualified electrician if you are in doubt as to whether the outlet is properly grounded. If the tools should electrically malfunction or break down, grounding provides a low resistance path to carry electricity away from the user. The DW223G and the DW235G units are grounded. Applicable only to Class I (grounded) tools.
- **Double insulated tools are equipped with a polarized plug (one blade is wider than the other.)** This plug will fit in a polarized outlet only one way. If the plug does not fit fully in the outlet, reverse the plug. If it still does not fit, contact a qualified electrician to install a polarized outlet. Do not change the plug in any way. Double insulation  eliminates the need for the three wire grounded power cord and grounded power supply system.

*Applicable only to Class II (double insulated) tools. The DW217, DW221, DW222, DW223, DW226, DW231, DW235, DW236, DW245 and DW246 units have a polarized plug. The DW217, DW221, DW222, DW223, DW223-220, DW226, DW231, DW235, DW235-220, DW236, DW238, DW239, DW245, DW246, DW248 and DW249 units are double insulated. The DW223-220, and DW235-220 units are rated at 230 volts and they are fitted with the 220 volt style plug which is not polarized..*

- **Avoid body contact with grounded surfaces such as pipes, radiators, ranges and refrigerators.** There is an increased risk of electric shock if your body is grounded.
- **Don't expose power tools to rain or wet conditions.** Water entering a power tool will increase the risk of electric shock.
- **Do not abuse the cord.** Never use the cord to carry the tools or pull the plug from an outlet. Keep cord away from heat, oil, sharp edges or moving parts. Replace damaged cords immediately. Damaged cords increase the risk of electric shock.
- **When operating a power tool outside, use an outdoor extension cord marked "W-A" or "W."** These cords are rated for outdoor use and reduce the risk of electric shock. When using an extension cord, be sure to use one heavy enough to carry the current your product will draw. An undersized cord will cause a drop in line voltage resulting in loss of power and overheating. The following table shows the correct size to use depending on cord length and nameplate ampere rating. If in doubt, use the next heavier gage. The smaller the gage number, the heavier the cord.

Volts	Minimum Gage for Cord Sets			
	Total Length of Cord in Feet			
120V	0-25	26-50	51-100	101-150
240V	0-50	51-100	101-200	201-300
Ampere Rating		AWG		
More Than	Not more Than			
0	6	18	16	16 14
6	10	18	16	14 12
10	12	16	16	14 12
12	16	14	12	Not Recommended

**PERSONAL SAFETY**

- **Stay alert, watch what you are doing and use common sense when operating a power tool.** Do not use tool while tired or under the influence of drugs, alcohol, or medication. A moment of inattention while operating power tools may result in serious personal injury.
- **Dress properly. Do not wear loose clothing or jewelry.** Contain long hair. Keep your hair, clothing, and gloves away from moving parts. Loose clothing, jewelry, or long hair can be caught in moving parts. Air vents often cover moving parts and should also be avoided.
- **Avoid accidental starting.** Be sure switch is off before plugging in. Carrying tools with your finger on the switch or plugging in tools that have the switch on invites accidents.
- **Remove adjusting keys or switches before turning the tool on.** A wrench or key that is left attached to a rotating part of the tool may result in personal injury.
- **Do not overreach.** Keep proper footing and balance at all times. Proper footing and balance enables better control of the tool in unexpected situations.
- **Use safety equipment.** Always wear eye protection. Dust mask, non-skid safety shoes, hard hat, or hearing protection must be used for appropriate conditions.

**TOOL USE AND CARE**

- **Use clamps or other practical way to secure and support the workpiece to a stable platform.** Holding the work by hand or against your body is unstable and may lead to loss of control.
- **Do not force tool.** Use the correct tool for your application. The correct tool will do the job better and safer at the rate for which it is designed.
- **Do not use tool if switch does not turn it on or off.** Any tool that cannot be controlled with the switch is dangerous and must be repaired.
- **Disconnect the plug from the power source before making any adjustments, changing accessories, or storing the tool.**

Such preventative safety measures reduce the risk of starting the tool accidentally.

- **Store idle tools out of reach of children and other untrained persons.** Tools are dangerous in the hands of untrained users.
- **Maintain tools with care.** Keep cutting tools sharp and clean. Properly maintained tools, with sharp cutting edges are less likely to bind and are easier to control.
- **Check for misalignment or binding of moving parts, breakage of parts, and any other condition that may affect the tools operation.** If damaged, have the tool serviced before using. Many accidents are caused by poorly maintained tools.
- **Use only accessories that are recommended by the manufacturer for your model.** Accessories that may be suitable for one tool, may become hazardous when used on another tool.

**SERVICE**

- **Tool service must be performed only by qualified repair personnel.** Service or maintenance performed by unqualified personnel could result in a risk of injury.
- **When servicing a tool, use only identical replacement parts.** Follow instructions in the Maintenance section of this manual. Use of unauthorized parts or failure to follow Maintenance Instructions may create a risk of electric shock or injury.

**Additional Safety Rules**

- **Hold tool by insulated gripping surfaces** when performing an operation where the cutting tools may contact hidden wiring or its own cord. Contact with a "live" wire will make exposed metal parts of the tool "live" and shock the operator.
- **Keep handles dry, clean, free from oil and grease.** It is recommended to use rubber gloves. This will enable better control
- **DO NOT TOUCH ANY METAL PARTS OF THE TOOL when drilling or driving into walls, floors or wherever live electrical wires may be encountered.** Hold the tool only by insulated grasping surfaces to prevent electric shock if you drill or drive into a live wire.

**English**

**⚠ CAUTION: Wear appropriate hearing protection during use.** Under some conditions and duration of use, noise from this product may contribute to hearing loss.

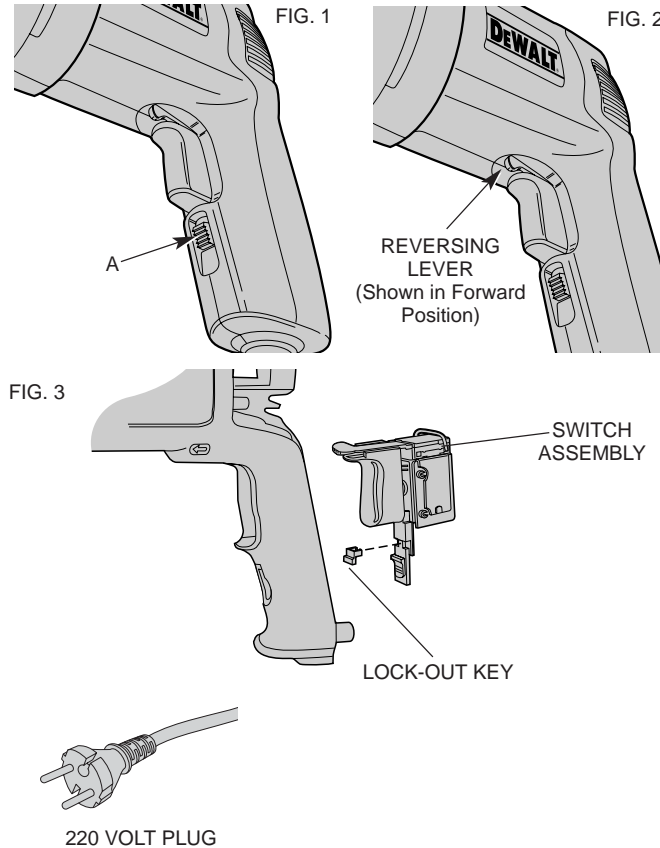
**⚠ WARNING: Some dust created by power sanding, sawing, grinding, drilling, and other construction activities contains chemicals known to cause cancer, birth defects or other reproductive harm. Some examples of these chemicals are:**

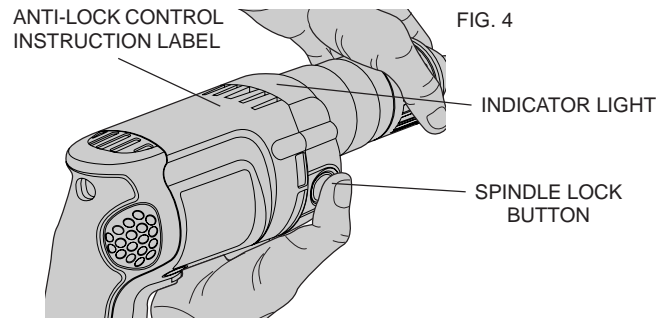
- lead from lead-based paints,
- crystalline silica from bricks and cement and other masonry products, and
- arsenic and chromium from chemically-treated lumber (CCA).

Your risk from these exposures varies, depending on how often you do this type of work. To reduce your exposure to these chemicals: work in a well ventilated area, and work with approved safety equipment, such as those dust masks that are specially designed to filter out microscopic particles.

- **Avoid prolonged contact with dust from power sanding, sawing, grinding, drilling, and other construction activities. Wear protective clothing and wash exposed areas with soap and water.** Allowing dust to get into your mouth, eyes, or lay on the skin may promote absorption of harmful chemicals.

- The label on your tool may include the following symbols.
  - V .....volts
  - A .....amperes
  - Hz ..... hertz
  - W..... watts
  - min..... minutes
  - ~ ..... alternating current
  - == ..... direct current
  - n<sub>o</sub> ..... no load speed
  - ☐ ..... Class II Construction
  - .../min ..... revolutions or reciprocation per minute
  - ⊕ ..... earthing terminals
  - ⚠ ..... safety alert symbol





### Anti-Lock Control (DW239, DW249)

Your DEWALT drill may come with an electronic feature called Anti-Lock Control. It is designed to help you control the drill during a stall and keep it from pulling out of your hands. This may be encountered when drilling in steel or using large bits in wood.

As a stall situation presents itself, the motor cycles on and off for a set period of time. This takes up the reaction of the stall and allows you to keep the drill under control. The speed control senses your release of the trigger and resets the motor to run again.

Figure 4 shows the instruction label mounted behind it. There are three alert signals.

- 1.) **Check Level:** One flash each time the trigger is depressed. Everything is functioning satisfactorily. If there is no flash, the tool should be returned to a DEWALT authorized service center for repair.
- 2.) **Engaged Level:** Should a stall condition still exist, the electronics will shut down the tool and the light will be steady on. When the unit is running in normal mode, there will be no light.
- 3.) **Alert Mode:** A series of continual flashes as the trigger is pulled indicates that the electronics are no longer functioning. The tool

may still be able to function without the benefit of AntiLock Control but should be serviced as soon as possible.

### Motor Brushes

DEWALT uses an advanced brush system which automatically stops the drill when the brushes wear out. This prevents serious damage to the motor.

### Switch

To start drill, depress trigger switch; to stop the drill, release trigger. To lock trigger in the on position for continuous operation, depress trigger and push up locking button "A" shown in figure 1, then gently release the trigger. To release the locking mechanism, depress the trigger fully, then release it. Before using the tool each time, be sure that the locking button release mechanism is working freely.

Do not lock the switch on when drilling by hand so that you can instantly release the trigger switch if the bit binds in the hole.

The locking button is for use only when the drill is mounted in a drill press stand or otherwise held stationary.

Be sure to release the locking button before disconnecting the plug from the power supply. Failure to do so will cause the tool to start immediately the next time it is plugged in. Damage or injury could result.

### THE VARIABLE SPEED TRIGGER SWITCH

This switch permits speed control: the farther the trigger is depressed, the higher the speed of the drill.

**NOTE:** Use lower speeds for starting holes without a center punch, drilling in metal or plastics, driving screws or drilling ceramics. Higher speeds are better for drilling wood and composition boards, and for using abrasive and polishing accessories.

### THE REVERSING LEVER

The reversing lever changes the direction of rotation of the drill and is used when backing out screws and jammed drill bits. To operate the tool in reverse, release the trigger switch and push the lever to the left (when viewed from the chuck end) as shown in Figure 2. To

operate the drill in forward for drilling holes or driving screws (as well as when using other accessories) release the trigger switch and push the lever to the right (when viewed from the chuck end).

Return the reversing lever to the forward position after all operations in reverse are completed.

### SWITCH LOCK-ON

Your drill is equipped with a switch lock-on feature. If you wish to disable this feature, take your tool to any authorized service center. The service center can provide a lock-out key to prevent the unit from being locked in the on position (Figure 3).

## Operation

### DRILLING

1. Always unplug the drill when attaching or changing bits or accessories.
2. Use sharp drill bits only. For WOOD, use twist drill bits, spade bits, power auger bits, or hole saws. For METAL, use high speed steel twist drill bits or hole saws. For MASONRY, such as brick, cement, cinder block, etc., use carbide-tipped bits.
3. Be sure the material to be drilled is anchored or clamped firmly. If drilling thin material, use a wood "back-up" block to prevent damage to the material.
4. Always apply pressure in a straight line with the bit. Use enough pressure to keep the drill biting, but do not push hard enough to stall the motor or deflect the bit.
5. Hold the tool firmly to control the twisting action of the drill.
6. **IF THE DRILL STALLS**, it is usually because it is being overloaded or improperly used. **RELEASE THE TRIGGER IMMEDIATELY**, remove the drill bit from work, and determine cause of stalling. **DO NOT CLICK TRIGGER OFF AND ON IN AN ATTEMPT TO START A STALLED DRILL — THIS CAN DAMAGE THE DRILL.**
7. To minimize stalling or breaking through the material, reduce pressure on drill and ease the bit through the last fractional part of the hole.

8. Keep the motor running when pulling the bit out of a drilled hole. This will help prevent jamming.

9. With Variable Speed Drills there is no need to center punch the point to be drilled. Use a slow speed to start the hole and accelerate by squeezing the trigger harder when the hole is deep enough to drill without the bit skipping out.

### Keyed Chucks

Open chuck jaws by turning collar with fingers and insert shank of bit about 3/4" into chuck. Tighten chuck collar by hand. Place chuck key in each of the three holes, and tighten in CLOCKWISE direction. It's important to tighten chuck with all three holes to prevent slippage. To release bit, turn chuck key COUNTERCLOCKWISE in just one hole, then loosen the chuck by hand. Any authorized DEWALT service center can install a keyless chuck in place of a keyed chuck.

### Keyless Chucks

Open chuck jaws by turning plastic collar with fingers and insert shank of bit about 3/4" into chuck. Tighten plastic collar CLOCKWISE while depressing spindle lock button on the right side of the tool housing (Fig. 4). To release bit, turn plastic collar COUNTERCLOCKWISE while depressing the spindle lock button (Fig. 4). **NOTE: DO NOT DEPRESS LOCK BUTTON WHILE OPERATING DRILL or while the chuck is moving.**

### Drilling in Metal

Use a cutting lubricant when drilling metals. The exceptions are cast iron and brass which should be drilled dry. The cutting lubricants that work best are sulfurized cutting oil or lard oil; bacon-grease will also serve the purpose.

### Drilling in Wood

Holes in wood can be made with the same twist drills used for metal. These bits may overheat unless pulled out frequently to clear chips from the flutes. For larger holes, use power drill wood bits. Work that is apt to splinter should be backed up with a block of wood.





### **Drilling in Masonry**

Use carbide tipped masonry bits at low speeds. Keep an even force on the drill but not so much that you crack the brittle materials. A smooth, even flow of dust indicates the proper drilling rate.

### **Side Handle**

A side handle may be supplied with your drill. Side handles are included with these drills: DW231, DW235G, DW235-220, DW236, DW238, DW239, DW245, DW246, DW248, DW249. The side handle clamps to the front of the gear case and can be rotated 360 degrees to permit right or left hand use.

**⚠ CAUTION:** *If a side handle is included with your drill, always use it and hold the drill with both hands.*

### **Maintenance**

Use only mild soap and damp cloth to clean the tool. Never let any liquid get inside the tool; never immerse any part of the tool into a liquid.

Self-lubricating bearings are used in the tool and periodic relubrication is not required. In the unlikely event that service is ever needed, take your tool to an authorized service location.

### **Accessories**

Recommended accessories for use with your tool are available at extra cost from your distributor or local service center.

ACCESSORY MUST BE RATED FOR USE AT SPEED EQUAL TO OR HIGHER THAN NAMEPLATE R.P.M. OF TOOL WITH WHICH IT IS BEING USED.

If you need assistance in locating any accessory, please contact DEWALT Industrial Tool Co., 701 East Joppa Road, Baltimore, MD 21286 or call 1-800-4-DEWALT (1-800-732-4441).

**⚠ CAUTION:** *The use of any non-recommended accessory may be hazardous.*

### **Repairs**

To assure product SAFETY and RELIABILITY, repairs, maintenance and adjustment (including brush inspection and replacement) should be performed by authorized service centers or other qualified service organizations, always using identical replacement parts.

### **Full Warranty**

DEWALT heavy duty industrial tools are warranted for one year from date of purchase. We will repair, without charge, any defects due to faulty materials or workmanship. For warranty repair information, call 1-800-4-DEWALT. This warranty does not apply to accessories or damage caused where repairs have been made or attempted by others. This warranty gives you specific legal rights and you may have other rights which vary in certain states or provinces.

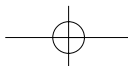
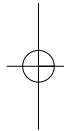
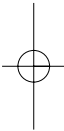
In addition to the warranty, DEWALT tools are covered by our:

#### **30 DAY NO RISK SATISFACTION GUARANTEE**

If you are not completely satisfied with the performance of your DEWALT heavy duty industrial tool, simply return it to the participating seller within 30 days for a full refund. Please return the complete unit, transportation prepaid. Proof of purchase may be required.

**FREE WARNING LABEL REPLACEMENT:** If your warning labels become illegible or are missing, call 1-800-4-DEWALT for a free replacement.

English





POUR TOUT RENSEIGNEMENT SUPPLÉMENTAIRE SUR CET OUTIL OU TOUT AUTRE OUTIL DEWALT, COMPOSER SANS FRAIS LE NUMÉRO:

**1 800 4-DEWALT (1 800 433-9258)**

### **RÈGLES DE SÉCURITÉ GÉNÉRALES**

⚠ **AVERTISSEMENT!** Vous devez lire et comprendre toutes les instructions. Le non-respect, même partiel, des instructions ci-après entraîne un risque de choc électrique, d'incendie et/ou de blessures graves.

### **CONSERVEZ CES INSTRUCTIONS.**

#### **AIRE DE TRAVAIL**

- **Veillez à ce que l'aire de travail soit propre et bien éclairée.** Le désordre et le manque de lumière favorisent les accidents.
- **N'utilisez pas d'outils électriques dans une atmosphère explosive, par exemple en présence de liquides, de gaz ou de poussières inflammables.** Les outils électriques créent des étincelles qui pourraient enflammer les poussières ou les vapeurs.
- **Tenez à distance les curieux, les enfants et les visiteurs pendant que vous travaillez avec un outil électrique.** Ils pourraient vous distraire et vous faire faire une fausse manoeuvre.

#### **SÉCURITÉ ÉLECTRIQUE**

- Les outils mis à la terre doivent être branchés dans une prise de courant correctement installée et mise à la terre conformément à tous les codes et règlements pertinents. **Ne modifiez jamais la fiche de quelque façon que ce soit, par exemple en enlevant la broche de mise à la terre. N'utilisez pas d'adaptateur de fiche. Si vous n'êtes pas certain que la prise de courant est correctement mise à la terre, adressez-vous à un électricien qualifié. En cas de défaillance ou de défectuosité électrique de l'outil, une mise à la terre offre un trajet de faible résistance à l'électricité qui autrement risquerait de traverser l'utilisateur. Les modèles DW223G et DW235G sont mis à la terre.**

- Les outils à double isolation sont équipés d'une fiche polarisée (une des lames est plus large que l'autre), *qui ne peut se brancher que d'une seule façon dans une prise polarisée. Ne modifiez pas la fiche de l'outil. Les modèles DW217, DW221, DW222, DW223, DW226, DW231, DW235, DW236, DW245, et DW246 sont équipés d'une fiche polarisée. La double isolation élimine le besoin d'un cordon d'alimentation à trois fils avec mise à la terre ainsi que d'une prise de courant mise à la terre. Les modèles DW217, DW221, DW222, DW223, DW223-220, DW226, DW231, DW235-220, DW236, DW238, DW239, DW245, DW246, DW248, et DW249 comportent une double isolation. Les modèles DW223-220 et DW235-220 sont faits pour être utilisés 230 volts et*
- **Évitez tout contact corporel avec des surfaces mises à la terre (tuyauterie, radiateurs, cuisinières, réfrigérateurs, etc.).** Le risque de choc électrique est plus grand si votre corps est en contact avec la terre.
- **N'exposez pas les outils électriques à la pluie ou à l'eau.** La présence d'eau dans un outil électrique augmente le risque de choc électrique.
- **Ne maltraitez pas le cordon.** Ne transportez pas l'outil par son cordon et ne débranchez pas la fiche en tirant sur le cordon. N'exposez pas le cordon à la chaleur, à des huiles, à des arêtes vives ou à des pièces en mouvement. Remplacez immédiatement un cordon endommagé. Un cordon endommagé augmente le risque de choc électrique.
- **Lorsque vous utilisez un outil électrique à l'extérieur, employez un prolongateur pour l'extérieur marqué «W-A» ou «W».** Ces cordons sont faits pour être utilisés à l'extérieur et réduisent le risque de choc électrique. S'assurer que le cordon de rallonge est en bon état. Lorsqu'on se sert d'un cordon de rallonge, s'assurer qu'il est de calibre approprié pour la tension nécessaire au fonctionnement de l'outil. L'utilisation d'un cordon de calibre inférieur occasionne une baisse de tension entraînant une perte de puissance et la surchauffe. Le tableau suivant indique le calibre approprié selon la longueur du cordon et les mentions de la plaque

signalétique de l'outil. En cas de doute, utiliser un cordon de calibre supérieur. Le chiffre indiquant le calibre est inversement proportionnel au calibre du cordon.

#### Calibre minimal des cordons de rallonge

Tension	Longueur totale du cordon en pieds			
120 V	0-25	26-50	51-100	101-150
240 V	0-50	51-100	101-200	201-300
Intensité (A)	Calibre moyen de fil (AWG)			
Au moins	Au plus			
0	6	18	16	14
6	10	18	16	12
10	12	16	14	12
12	16	14	12	Non recommandé

#### SÉCURITÉ DES PERSONNES

- **Restez alerte, concentrez-vous sur votre travail et faites preuve de jugement.** N'utilisez pas un outil électrique si vous êtes fatigué ou sous l'influence de drogues, d'alcool ou de médicaments. Un instant d'inattention suffit pour entraîner des blessures graves.
- **Habillez-vous convenablement. Ne portez ni vêtements flottants ni bijoux.** Confinez les cheveux longs. N'approchez jamais les cheveux, les vêtements ou les gants des pièces en mouvement. Des vêtements flottants, des bijoux ou des cheveux longs risquent d'être happés par des pièces en mouvement. Se tenir éloigné des événements puisque ces derniers pourraient camoufler des pièces mobiles.
- **Méfiez-vous d'un démarrage accidentel.** Avant de brancher l'outil, assurez-vous que son interrupteur est sur ARRÊT. Le fait de transporter un outil avec le doigt sur la détente ou de brancher un outil dont l'interrupteur est en position MARCHE peut mener tout droit à un accident.
- **Enlevez les clés de réglage ou de serrage avant de démarrer l'outil.** Une clé laissée dans un pièce tournante de l'outil peut provoquer des blessures.

- **Ne vous penchez pas trop en avant.** Maintenez un bon appui et restez en équilibre en tout temps. Une bonne stabilité vous permet de mieux réagir à une situation inattendue.
- **Utilisez des accessoires de sécurité.** Portez toujours des lunettes ou une visière. Selon les conditions, portez aussi un masque antipoussière, des bottes de sécurité antidérapantes, un casque protecteur et/ou un appareil antibruit.

#### UTILISATION ET ENTRETIEN DES OUTILS

- **Immobilisez le matériau sur une surface stable au moyen de brides ou de toute autre façon adéquate.** Le fait de tenir la pièce avec la main ou contre votre corps offre une stabilité insuffisante et peut amener un dérapage de l'outil.
- **Ne forcez pas l'outil.** Utilisez l'outil approprié à la tâche. L'outil correct fonctionne mieux et de façon plus sécuritaire. Respectez aussi la vitesse de travail qui lui est propre.
- **N'utilisez pas un outil si son interrupteur est bloqué.** Un outil que vous ne pouvez pas commander par son interrupteur est dangereux et doit être réparé.
- **Débranchez la fiche de l'outil avant d'effectuer un réglage, de changer d'accessoire ou de ranger l'outil.** De telles mesures préventives de sécurité réduisent le risque de démarrage accidentel de l'outil.
- **Rangez les outils hors de la portée des enfants et d'autres personnes inexpérimentées.** Les outils sont dangereux dans les mains d'utilisateurs novices.
- **Prenez soin de bien entretenir les outils.** Les outils de coupe doivent être toujours bien affûtés et propres. Des outils bien entretenus, dont les arêtes sont bien tranchantes, sont moins susceptibles de coincer et plus faciles à diriger.
- **Soyez attentif à tout désalignement ou coincement des pièces en mouvement, à tout bris ou à toute autre condition préjudiciable au bon fonctionnement de l'outil.** Si vous constatez qu'un outil est endommagé, faites-le réparer avant de vous en servir. De nombreux accidents sont causés par des outils en mauvais état.

- **N'utilisez que des accessoires que le fabricant recommande pour votre modèle d'outil.** Certains accessoires peuvent convenir à un outil, mais être dangereux avec autre.

#### RÉPARATION

- **La réparation des outils électriques doit être confiée à un réparateur qualifié.** L'entretien ou la réparation d'un outil électrique par un amateur peut avoir des conséquences graves.
- **Pour la réparation d'un outil, n'employez que des pièces de rechange d'origine.** Suivez les directives données à la section «Réparation» de ce manuel. L'emploi de pièces non autorisées ou le non-respect des instructions d'entretien peut créer un risque de choc électrique ou de blessures.
- **Tenez l'outil par ses surfaces de prise isolées pendant toute opération où l'outil de coupe pourrait venir en contact avec un câblage dissimulé ou avec son propre cordon.** En cas de contact avec un conducteur sous tension, les pièces métalliques à découvert de l'outil transmettraient un choc électrique à l'utilisateur.

#### Mesures de sécurité additionnelles

- **Saisir les surfaces isolées de l'outil lorsqu'on s'en sert là où il pourrait y avoir des fils sous tension et lorsqu'il pourrait entrer en contact avec son propre fil.** En cas de contact avec un fil sous tension, les composantes métalliques à découvert de l'outil deviendraient sous tension et l'utilisateur subirait des secousses électriques.
- **S'assurer que les poignées sont propres, libres de toute tache d'huile et de graisse.** Il est conseillé de porter des gants en caoutchouc afin d'optimiser la maîtrise de l'outil.
- **Lorsqu'on perce ou on visse dans les murs, les planchers ou tout autre endroit où peuvent se trouver des fils sous tension, NE PAS TOUCHER À TOUT COMPOSANT MÉTALLIQUE DE L'OUTIL.** Ne le saisir que par ses surfaces de prise en plastique afin de se protéger des secousses électriques que provoqueraient le contact du foret ou de la lame avec un fil sous tension.

⚠ **MISE EN GARDE** : porter un dispositif de protection personnel anti-bruit approprié durant l'utilisation. Sous certaines conditions et pendant toute la durée de l'utilisation, le bruit émanant de ce produit pourrait contribuer à la perte d'audition.

⚠ **AVERTISSEMENT** : Certains outils, tels que les sableuses électriques, les scies, les meules, les perceuses ou certains autres outils de construction, peuvent soulever de la poussière contenant des produits chimiques susceptibles d'entraîner le cancer, des malformations congénitales ou pouvant être nocifs pour le système reproductif. Parmi ces produits chimiques, on retrouve :

- le plomb dans les peintures à base de plomb;
- la silice cristalline dans les briques et le ciment et autres produits de maçonnerie;
- l'arsenic et le chrome dans le bois de sciage ayant subi un traitement chimique (CCA).

Le risque associé à de telles expositions peut varier selon la fréquence avec laquelle on effectue ces travaux. Pour réduire l'exposition à de tels produits, il faut travailler dans un endroit bien ventilé et utiliser l'équipement de sécurité approprié tel un masque anti-poussières spécialement conçu pour filtrer les particules microscopiques.

- **Éviter tout contact prolongé avec la poussière soulevée par cet outil ou autres outils électriques. Porter des vêtements de protection et nettoyer les parties exposées du corps avec de l'eau savonneuse.** S'assurer de bien se protéger afin d'éviter d'absorber par la bouche, les yeux ou la peau des produits chimiques nocifs.
- L'étiquette de l'outil peut comporter les symboles suivants.

V	.....volts
A	.....ampères
Hz	.....hertz
W	.....watts
min	.....minutes

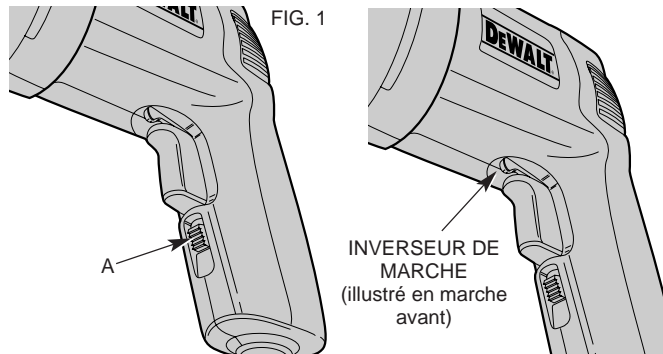
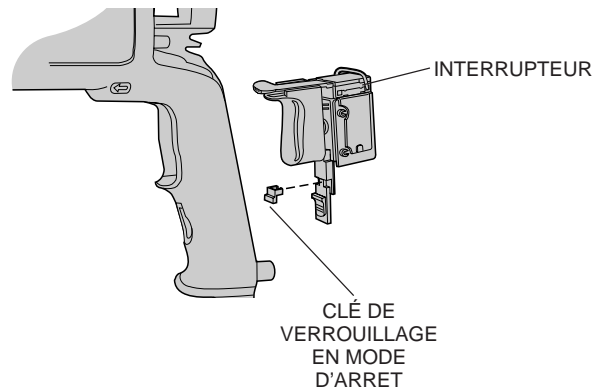


FIG. 3



~	.....courant alternatif
===	.....courant continu
$n_0$	..... sous vide
□	..... construction de classe II
/min	..... tours ou courses à la minute
⊕	..... borne de mise à la terre
⚠	.....symbole d'avertissement

### La commande non blocable (DW239, DW249)

Votre foret de DEWALT peut venir avec un dispositif électronique appelé Anti-Lock Control. Elle est conçue pour vous aider à contrôler le foret pendant une stalle et à le garder de retirer de vos mains. Ceci peut être produit en forant en acier ou en utilisant de grands bits en bois. Car une situation de stalle se présente, le moteur fait un cycle en marche et en arrêt pendant une période de positionnement. Ceci prend la réaction de la stalle et vous permet de garder le foret sous la commande. La commande de vitesse sent votre version du déclenchement et remet à l'état initial le moteur au passage encore. Le schéma 4 montre l'étiquette d'instruction montée derrière lui. Il y a trois signaux alertes.

- 1.) **Contrôle De niveau** : Un flash chaque fois que le déclenchement est diminué. Tout fonctionne d'une manière satisfaisante. S'il n'y a aucun flash, l'outil devrait être retourné à un centre commercial autorisé par DeWalt pour la réparation.
- 2.) **Engagé De niveau** : Si un état de stalle distillateur existe, l'électronique arrêtera l'outil et la lumière sera allumée régulière. Quand l'unité fonctionne en "copie normale", il n'y aura aucune lumière.
- 3.) **Mode Alerte** : Une série de flashes continuel comme déclenchement est tirée indique que l'électronique ne fonctionnent plus. L'outil peut encore pouvoir fonctionner esprit

### Balais du moteur

Les outils DeWALT sont dotés d'un système perfectionné de vérification des balais qui arrête automatiquement l'outil lorsque les balais sont usés afin d'empêcher d'endommager le moteur.

### Interrupteur

Pour mettre la perceuse en marche, enfoncer l'interrupteur à détente; pour la mettre hors circuit, relâcher l'interrupteur à détente. Lorsqu'on veut verrouiller l'interrupteur en mode de fonctionnement continu, il suffit d'enfoncer l'interrupteur à détente et de pousser le bouton de verrouillage (A) vers le haut, illustrés à la figure 1, puis de relâcher lentement l'interrupteur. Pour libérer le mécanisme de verrouillage, appuyer à fond sur l'interrupteur à détente et le relâcher. Toujours s'assurer que le bouton de verrouillage fonctionne bien avant d'utiliser l'outil (chaque fois).

Ne pas verrouiller l'interrupteur en mode de fonctionnement continu lorsqu'on perce à la main de façon à pouvoir relâcher immédiatement la détente si le foret se coince dans le trou.

Utiliser le bouton de verrouillage seulement lorsque la perceuse est immobilisée dans une presse ou autrement.

Veiller à ce que le bouton de verrouillage soit dégagé avant de débrancher l'outil, sinon l'outil se remettra immédiatement en marche la prochaine qu'on s'en servira et cela présente des risques de dommages et de blessures.

### INTERRUPTEUR DE VARIATION DE VITESSE

L'interrupteur de variation de vitesse permet de choisir la vitesse de fonctionnement; plus on l'enfonce, plus la vitesse est élevée.

**NOTE :** Se servir de la basse vitesse pour amorcer des trous sans poinçon ainsi que pour percer les métaux, les plastiques ou la céramique, ainsi que pour enfoncer des vis. La vitesse élevée convient mieux au perçage du bois et des panneaux d'agglomérés, ainsi qu'à l'utilisation d'accessoires pour le ponçage et le polissage.

ÉTIQUETTE D'INSTRUCTION  
NON BLOCABLE DE  
COMMANDE

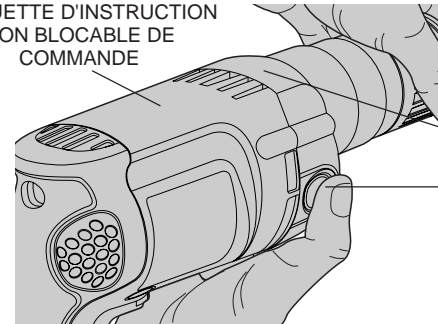


FIG. 4

### LEVIER DE COMMANDE DE MARCHÉ ARRIÈRE

Ce levier commande le sens de rotation de la perceuse et sert à retirer une vis ou une mèche coincée. Pour actionner la marche arrière, il faut relâcher l'interrupteur à détente, puis faire glisser l'inverseur de marche vers la gauche (lorsqu'on regarde le mandrin), comme le montre la figure 2. Pour actionner la marche avant afin de percer des trous ou d'enfoncer des vis (ou tout autre accessoire), il faut relâcher l'interrupteur à détente, puis faire glisser l'inverseur de marche vers la droite (lorsqu'on regarde le mandrin).

Après les travaux en marche arrière, toujours remettre l'inverseur à la marche avant.

### DISPOSITIF DE VERROUILLAGE DE L'INTERRUPTEUR EN MODE DE FONCTIONNEMENT

La perceuse comporte un dispositif de verrouillage de l'interrupteur en mode de fonctionnement. Pour neutraliser ce dispositif, il faut confier l'outil au personnel d'un centre de service autorisé. On peut également s'y procurer une clé de verrouillage en mode d'arrêt afin d'empêcher le verrouillage de l'outil en mode de fonctionnement (fig. 3).

## FUNCTIONNEMENT

### Perçage

1. Toujours débrancher l'outil lorsqu'on en change les forets ou les accessoires.
2. N'utiliser que des forets bien affûtés. Pour le BOIS : forets hélicoïdaux, à langue d'aspic, de tarière ou des emporte-pièce; pour le MÉTAL : forets hélicoïdaux en acier de coupe rapide ou des emporte-pièce; pour la MAÇONNERIE (brique, ciment et béton, etc.) : forets au carbure.
3. Veiller à ce que la pièce à percer soit solidement retenue ou fixée en place. Afin d'éviter les avaries aux matériaux minces, les adosser à un bloc de bois épais.
4. Toujours exercer la pression en ligne directe avec le foret. N'user que de la force qu'il faut pour que le foret continue de percer; éviter de trop forcer, ce qui pourrait faire caler le moteur ou dévier le foret.
5. Saisir fermement la perceuse afin de contrer l'effet de torsion de l'outil en marche.
6. **LA PERCEUSE S'ÉTOUFFE** habituellement lorsqu'elle est surchargée ou utilisée de façon inappropriée. **RELÂCHER IMMÉDIATEMENT L'INTERRUPTEUR À DÉTENTE**, retirer le foret du matériau et déterminer la cause du blocage. **ÉVITER DE METTRE EN MARCHÉ ET HORS CIRCUIT L'OUTIL À L'AIDE DE L'INTERRUPTEUR À DÉTENTE DANS LE BUT DE FAIRE DÉMARRER LA PERCEUSE BLOQUÉE, CELA POURRAIT L'ENDOMMAGER.**
7. Afin de minimiser l'étouffement du moteur ou le défoncement de la pièce, réduire la pression et faire avancer plus doucement le foret vers la fin de sa course.
8. Laisser le moteur en marche lorsqu'on retire le foret d'un trou afin d'éviter qu'il se coince.
9. Il n'est pas nécessaire de pratiquer un creux de guidage avec les perceuses à régulateur de vitesse. Utiliser plutôt la basse vitesse pour commencer le trou, puis accélérer en enfonçant plus

profondément l'interrupteur à détente lorsque le foret est suffisamment inséré dans la pièce.

### Mandrins à clé

Ouvrir les mâchoires du mandrin en tournant la bague à la main et y insérer environ 3/4 po de l'arbre du foret. Resserrer la bague du mandrin à la main. Placer la clé du mandrin dans chacun des trois trous et serrer dans le sens HORAIRE. Il est essentiel de bien serrer les trois trous du mandrin. Pour dégager le foret, il suffit de faire tourner la clé du mandrin dans le sens ANTIHORAIRE dans l'un des trous, puis de desserrer le mandrin à la main. Le personnel d'un centre de service autorisé peut remplacer un mandrin à clé par un mandrin sans clé.

### Mandrins sans clé

Ouvrir les mâchoires du mandrin en tournant la bague de plastique à la main et y insérer environ 3/4 po de l'arbre du foret. Resserrer la bague de plastique dans le sens HORAIRE tout en enfonçant le bouton de verrouillage de l'arbre qui se trouve du côté droit de l'outil (fig. 4). Pour dégager le foret, faire tourner la bague de plastique dans le sens ANTIHORAIRE tout en enfonçant le bouton de verrouillage de l'arbre (fig. 4). **NOTE : NE PAS ENFONCER LE BOUTON DE VERROUILLAGE LORSQUE L'OUTIL FONCTIONNE ni lorsque le mandrin est en mouvement.**

### Perçage dans le métal

Utiliser de l'huile de coupe pour percer dans les métaux, sauf la fonte et le laiton qui se percent à sec. L'huile de coupe la plus efficace est l'huile sulfurisée ou l'huile de lard; la graisse de bacon est parfois suffisante.

### Perçage dans le bois

Les forets hélicoïdaux à métal peuvent servir à percer le bois, mais il faut les retirer souvent du trou pour chasser les copeaux et rognures des goujures afin d'éviter qu'ils ne surchauffent. Pour percer de gros trous, utiliser les forets à bois d'une perceuse électrique. Adosser les matériaux friables à un bloc de bois quelconque.



### **Perçage dans la maçonnerie**

Utiliser des forets à maçonnerie à basse vitesse. Exercer une pression constante, sans forcer afin d'éviter de casser les matériaux friables. Une production uniforme de poussière à débit moyen indique un perçage convenable.

### **Poignée latérale**

Certains modèles sont dotés d'une poignée latérale. Les modèles munis d'une telle poignée sont les suivants : DW231, DW235G, DW235-220, DW236, DW238, DW239, DW245, DW246, DW248, DW249. La poignée est fixée sur la partie antérieure du carter d'engrenages; on peut la tourner complètement dans un sens ou dans l'autre afin de l'utiliser à gauche ou à droite, selon le cas.

**⚠ MISE EN GARDE :** toujours utiliser la poignée latérale lorsqu'elle est fournie et tenir la perceuse avec les deux mains.

### **Entretien**

Utiliser seulement du savon doux et un chiffon humide pour nettoyer l'outil. Ne jamais laisser du liquide s'infiltrer dans l'outil, ni ne jamais l'immerger. L'outil comporte des roulements autolubrifiés qui ne nécessitent aucune lubrification périodique. Dans l'éventualité peu probable où il faudrait réparer l'outil, le confier au personnel d'un centre de service autorisé.

### **Accessoires**

On peut se procurer séparément les accessoires recommandés pour l'outil chez les détaillants ou au centre de service de la région.

**LA VITESSE NOMINALE DES ACCESSOIRES DOIT ÊTRE ÉGALE OU SUPÉRIEURE AU RÉGIME DE L'OUTIL (INDIQUÉ SUR LA PLAQUE SIGNALÉTIQUE DE CE DERNIER) AVEC LEQUEL ILS SONT UTILISÉS.**

Pour trouver un accessoire, prière de communiquer avec DeWALT Industrial Tool Co., 701 East Joppa Road, Baltimore, MD 21286, É.-U., ou composer sans frais le 1 (800) 4-DeWALT.

**⚠ MISE EN GARDE :** L'utilisation de tout accessoire non recommandé peut être dangereuse.

### **Réparation**

Pour assurer la SÉCURITÉ D'EMPLOI et la FIABILITÉ de l'outil, n'en confier la réparation, l'entretien et les rajustements (y compris l'inspection des balais) qu'à un centre de service ou à un atelier d'entretien autorisé n'utilisant que des pièces de rechange identiques.

### **Garantie complète**

Les outils industriels de service intensif DeWALT sont garantis pendant un an à partir de la date d'achat. Toute pièce d'un outil DeWALT qui s'avérerait défectueuse en raison d'un vice de matière ou de fabrication sera réparée sans frais. Pour obtenir de plus amples renseignements sur les réparations couvertes par la garantie, composer le 1 (800) 4-DeWALT. Il suffit de retourner l'outil complet à un centre de service DeWALT. La présente garantie ne couvre pas les accessoires ni les avaries dues aux réparations tentées ou effectuées par des tiers. Les modalités de la présente garantie donnent des droits légaux spécifiques. L'utilisateur peut également se prévaloir d'autres droits selon l'état ou la province qu'il habite.

En outre, la garantie suivante couvre les outils DeWALT.

#### **GARANTIE DE SATISFACTION DE 30 JOURS OU ARGENT REMIS**

Si, pour quelque raison que ce soit, l'outil ne donne pas entière satisfaction, il suffit de le retourner où il a été acheté dans les 30 jours suivant la date d'achat afin d'obtenir un remboursement intégral. Prière de retourner l'outil complet port payé. Une preuve d'achat peut être requise.

#### **REMPLACEMENT GRATUIT DE L'ÉTIQUETTE**

Si vos étiquettes d'avertissement deviennent illisibles ou sont manquantes, composez le 1-800-4-DeWALT pour obtenir une étiquette de remplacement gratuite.



## Reglas generales de seguridad

⚠ **¡ADVERTENCIA!** Lea y comprenda todas las instrucciones. No hacerlo puede originar riesgos de choque eléctrico, incendio y lesiones personales de gravedad.

### CONSERVE ESTAS INSTRUCCIONES

#### AREA DE TRABAJO

- **Conserve su área de trabajo limpia y bien iluminada.** Las bancas amontonadas y las zonas oscuras propician los accidentes.
- **No opere herramientas eléctricas en atmósferas explosivas, como en presencia de líquidos, gases o polvos inflamables.** Las herramientas eléctricas producen chispas que pueden originar la ignición de los polvos o los vapores.
- **Conserve a observadores, niños y visitantes alejados mientras opera una herramienta eléctrica.** Las distracciones pueden ocasionar que pierda el control.

#### SEGURIDAD ELECTRICA

- **Las herramientas aterrizadas deben conectarse a una toma de corriente correctamente instalada y aterrizada de conformidad con todos los códigos y reglamentos.** Nunca elimine la pata de conexión a tierra ni modifique la clavija en ninguna manera. No utilice adaptadores. Verifique con un electricista calificado si tiene dudas acerca de la conexión a tierra de su toma. Si las herramientas tienen algún mal funcionamiento eléctrico, la tierra proporciona una vía para alejar del operador la electricidad. Las unidades DW223G y DW235G se aterrizan.
- **Las herramientas con doble aislamiento están equipadas con una clavija polarizada (con una pata más ancha que la otra.)** Esta clavija se acoplará únicamente en una toma de corriente polarizada de una manera. Si la clavija no se acopla al contacto, inviértala. Si aún así no se ajusta, comuníquese con un electricista calificado para que le instalen una toma de corriente polarizada apropiada. ☐ El doble aislamiento elimina la necesidad de cables

con tres hilos y sistemas de alimentación con conexión a tierra. Las unidades DW223-220,y DW235-220 cuentan con doble aislamiento.

- **Evite el contacto corporal con superficies aterrizadas tales como tuberías, radiadores, hornos y refrigeradores.** Hay un gran riesgo de choque eléctrico si su cuerpo hace tierra.
- **No exponga las herramientas eléctricas a la lluvia o a condiciones de mucha humedad.** El agua que se introduce en las herramientas aumenta el riesgo de descargas eléctricas.
- **No maltrate el cable.** Nunca tome el cable para transportar una herramienta ni para desconectarla de la toma de corriente. Consérvelo alejado de calor aceite, bordes afilados o piezas móviles. Cambie inmediatamente los cables dañados. Los cables dañados aumentan el riesgo de choque eléctrico.
- **Cuando opere una herramienta eléctrica a la intemperie, utilice una extensión marcada "W-A" o "W".** Estas extensiones están clasificadas para uso a la intemperie y para reducir el riesgo de choques eléctricos. Cuando utilice una extensión, asegúrese de emplear una con el calibre suficiente para soportar la corriente necesaria para su herramienta. Una extensión con calibre inadecuado causará una caída en el voltaje de la línea resultando en pérdida de potencia y sobrecalentamiento. La tabla siguiente muestra el calibre correcto para usarse, relativo a la longitud de la extensión y el amperaje mencionado en la placa de identificación. Si tiene dudas, utilice el calibre siguiente. Mientras más pequeño sea el número del calibre, mayor será su capacidad.

Volts	Calibre mínimo para cordones de extensión				
	Longitud total del cordón en metros				
120V	0-7,6	7,6-15,2	15,2-30,4	30,4-45,7	
240V	0-15,2	15,2-30,4	30,4-60,9	60,9-91,4	
AMPERAJE					
Más de	No más de	Calibre	del	cordón	AWG
0	-	6	18	16	14
6	-	10	18	16	12
10	-	12	16	14	12
12	-	16	14	12	Norecomendado

Español

**SEGURIDAD PERSONAL**

- **Esté alerta concéntrese en lo que está haciendo.** Recorra al sentido común cuando opere una herramienta eléctrica. No opere ninguna herramienta si se encuentra fatigado o bajo la influencia de drogas, alcohol o medicamentos. Un momento de desatención mientras se operan herramientas eléctricas puede ocasionar lesiones graves.
- **Vístase de manera adecuada. No tenga puestas ropas o artículos de joyería flojos.** Cubra su cabello si lo tiene largo. Conserve su cabello, sus ropas y guantes alejados de las piezas móviles. Las piezas de vestir flojas, las joyas y el cabello largo pueden resultar atrapados por las piezas móviles. Las rejillas de ventilación cubren partes móviles y también deben evitarse.
- **Evite el encendido accidental.** Asegúrese que el interruptor esté en posición de apagado antes de conectar. Sostener una herramienta con el dedo en el interruptor o conectarla sin fijarse si el interruptor está en posición de encendido propicia los accidentes.
- **Retire las llaves de ajuste antes de encender la herramienta.** Una llave que se deja en una pieza giratoria puede ocasionar lesiones personales.
- **No se sobreextienda.** Conserve siempre los pies bien apoyados, al igual que el equilibrio. La posición correcta de los pies y el equilibrio permiten controlar mejor la herramienta en situaciones inesperadas.
- **Utilice equipo de seguridad.** Siempre utilice protección en los ojos. Se deben utilizar mascarillas contra polvo, zapatos antiderrapantes, casco o protectores para los oídos para tener las condiciones apropiadas.

**USO Y CUIDADOS DE LA HERRAMIENTA**

- **Utilice prensas u otros medios prácticos para asegurar y apoyar la pieza de trabajo en una plataforma estable.** Sujetar las piezas con la mano o contra su cuerpo es inestable y puede originar la pérdida de control.
- **No fuerce la herramienta.** Emplee la herramienta correcta para

su aplicación. La herramienta correcta hará el trabajo mejor y de manera más segura y bajo las especificaciones para las que fue diseñada.

- **No utilice la herramienta si el interruptor no enciende y apaga.** Cualquier herramienta que no pueda controlarse por medio del interruptores peligrosa y debe reemplazarse.
- **Desconecte la clavija de la toma de corriente antes de hacer cualquier ajuste, cambio de accesorios o de guardar la herramienta.** Tales medidas de seguridad preventivas reducirán el riesgo de que la herramienta se encienda accidentalmente.
- **Guarde las herramientas fuera del alcance de los niños y de otras personas no capacitadas.** Las herramientas son peligrosas en manos de personas no capacitadas.
- **Cuide sus herramientas.** Conserve las herramientas de corte afiladas y limpias. Las herramientas que reciben un mantenimiento adecuado, con piezas de corte afiladas, difícilmente se atascan y son más fáciles de controlar.
- **Verifique la alineación de las piezas móviles, busque fracturas en las piezas y cualesquiera otras condiciones que puedan afectar la operación de las herramientas.** Si está dañada, lleve su herramienta a servicio antes de usarla de nuevo. Muchos accidentes se deben a herramientas con mantenimiento pobre.
- **Solamente use accesorios que el fabricante recomiende para su modelo de herramienta.** Los accesorios que estén diseñados para una herramienta, pueden volverse peligrosos cuando se emplean con otra.

**SERVICIO**

- **El servicio a las herramientas lo debe efectuar únicamente personal calificado.** El servicio o mantenimiento realizado por personal no calificado puede originar riesgos de lesiones.
- Cuando efectúe servicio a una herramienta, utilice únicamente refacciones idénticas. Siga las instrucciones de la sección de Mantenimiento de este manual. El empleo de piezas no autorizadas o no seguir las instrucciones de mantenimiento puede originar riegos de choque eléctrico o lesiones.

## Reglas adicionales de seguridad

- **Tome la herramienta por las superficies aislantes de sujeción cuando realice una operación en que la herramienta de corte pueda hacer contacto con cables ocultos o con su propia extensión.** El contacto con un cable "vivo" hará que las partes metálicas de la herramienta queden "vivas" y descarguen hacia el operador.
- **Conserve los mangos secos, limpios, libres de aceite y grasa.** Se recomienda el uso de guantes de goma. Esto le permitirá controlar mejor la herramienta.
- **NO TOQUE NINGUNA PARTE METÁLICA DE LA HERRAMIENTA cuando perfore o atornille en muros, pisos o dondequiera que pueda encontrar cables eléctricos vivos.** Tome la herramienta solamente por las superficies de sujeción aislantes para evitar el choque eléctrico en caso que perfore o atornille un cable eléctrico vivo.

⚠ **PRECAUCION:** utilice la protección auditiva apropiada durante el uso. Bajo ciertas condiciones de duración de uso, el ruido producido por este producto puede contribuir a la pérdida auditiva.

⚠ **ADVERTENCIA :** Parte del polvo creado al lijar, aserruchar, moler o perforar con máquina, así como al realizar otras actividades de la construcción, contiene substancias químicas que se sabe producen cáncer, defectos congénitos u otras afecciones reproductivas. Algunos ejemplos de esas substancias químicas son:

- plomo de pinturas a base de plomo,
- sílice cristalizado de ladrillos y cemento y otros productos de albañilería, y
- arsénico y cromo de la madera químicamente tratada (CCA).

El riesgo al contacto con estas substancias varía, según la frecuencia en que se haga este tipo de trabajo. Para reducir la exposición a esas substancias químicas: trabaje en un área bien ventilada, y trabaje con equipos de seguridad aprobados, tales como máscaras contra el polvo especialmente diseñadas para filtrar las partículas microscópicas.

- **Evite el contacto prolongado con polvos originados por lijar, aserrar, esmerilar, taladrar y otras actividades constructivas. Vista ropas protectoras y lave las áreas expuestas con agua y jabón.** Permitir que el polvo se introduzca en su boca, ojos, o dejarlo sobre la piel promueve la absorción de químicos dañinos.
- La etiqueta de su herramienta puede incluir los siguientes símbolos.

V.....	volts
A.....	amperes
Hz.....	hertz
W .....	watts
min .....	minutos
~ .....	corriente alterna
==== .....	corriente directa
n <sub>o</sub> .....	velocidad sin carga
☐ .....	construcción Clase II
/min.....	revoluciones o reciprocaciones por minuto
⊕ .....	terminales de conexión a tierra
⚠ .....	symbole d'avertissement

## El control anticerrojos (DW239, DW249)

Su taladro de DEWALT puede venir con una característica electrónica llamada Anti-Lock Control. Se diseña para ayudarle a controlar el taladro durante una parada y a guardarlo de sacarse de sus manos. Esto puede ser encontrada al perforar en acero o con dígito binarios grandes en madera. Pues una situación de la parada se presenta, el motor completa un ciclo por intervalos por un período del conjunto del tiempo. Esto toma la reacción de la parada y permite que usted guarde el taladro bajo control. El control de la velocidad detecta su desbloquear del disparador y reajusta el motor al funcionamiento otra vez. El cuadro 4 muestra la escritura de la etiqueta de instrucción montada detrás de él. Hay tres señales alertas.

- 1.) **Cheque Llano:** Un flash cada vez que se presiona el disparador. Todo está funcionando satisfactoriamente. Si no hay flash, la

herramienta se debe volver a un centro de servicio autorizado DeWalt para la reparación.

- 2.) **Enganchado Llano:** Si existe una condición de la parada alambique, la electrónica cerrará la herramienta y la luz será constante encendido. Cuando la unidad se está ejecutando en modo normal, no habrá luz.
- 3.) **Modo Alerta:** Una serie de flashes continuos como el disparador se tira indica que la electrónica es un funcionamiento no más largo. La herramienta puede todavía poder funcionar ingenio

### **Carbones del motor**

DEWALT utiliza un avanzado sistema de carbones que detiene automáticamente el motor del taladro cuando se desgastan estas piezas. Esto impide que el motor se dañe seriamente.

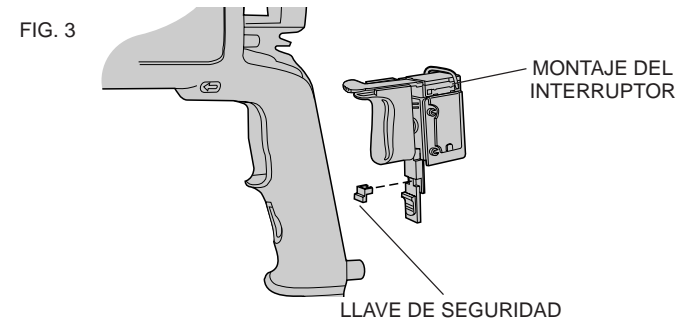
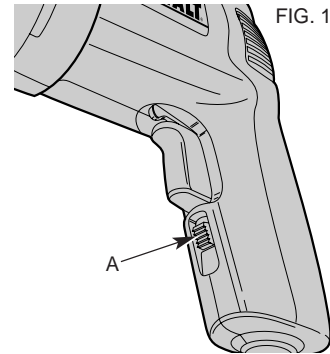
### **Interruptores**

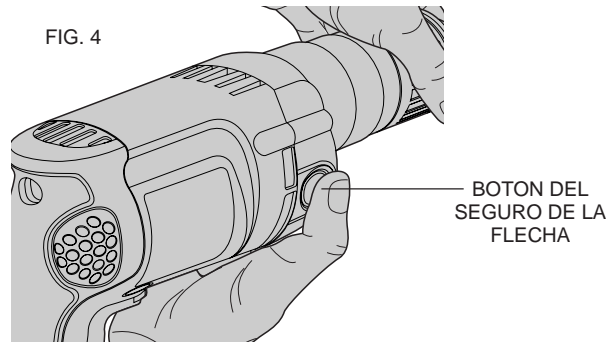
Oprima el interruptor de gatillo para accionar el taladro; suéltelo para detenerlo. Para dejar fijo el interruptor en la posición de ENCENDIDO a fin de que opere de manera continua, oprímalo y presione el botón de encendido permanente "A" (fig. 1), y suelte a continuación el gatillo interruptor con suavidad. Para liberar el mecanismo de trabado, oprima el gatillo hasta el fondo y suéltelo. Antes de utilizar la herramienta (cada vez) asegúrese que el mecanismo del seguro funciona libremente.

No asegure el interruptor en la posición de encendido permanente cuando taladre a mano, de manera que pueda soltarlo si la broca se atasca en el barreno.

El botón de encendido permanente se debe utilizar solamente cuando el taladro se encuentra montado en una prensa o en un banco.

Asegúrese de liberar el botón de encendido permanente antes de desconectar la clavija de la toma de corriente. No hacerlo propiciará que el taladro se encienda en el momento de volver a conectarlo, con el peligro consecuente de daños o lesiones.





#### INTERRUPTOR DE GATILLO DE VELOCIDAD VARIABLE

Este interruptor permite controlar la velocidad: entre más se presiona el gatillo, mayor la velocidad del taladro.

**NOTA:** Utilice velocidades bajas para perforar sin haber marcado el "punto" de centro, taladrar en metal o plásticos, atornillar y perforar cerámica. Las altas velocidades son mejores para barrenar madera y aglomerados de ésta, y cuando se van a utilizar los accesorios abrasivos y de pulido.

#### PALANCA DE CAMBIO DE MARCHA

Esta palanca cambia la marcha de rotación del taladro y se utiliza para destornillar y para destrabar brocas de taladrar. Para activar el motor en reversa, suelte el gatillo y, a continuación, mueva la palanca hacia la izquierda (vista desde el extremo del portabrocas) como se muestra en la figura 2. Para operar el taladro en marcha hacia adelante para perforar o atornillar (así como para utilizar otros accesorios) libere el gatillo interruptor y empuje la palanca hacia la derecha (vista desde el extremo del portabrocas).

Después de haber efectuado una operación en reversa, devuelva la palanca hacia la posición de marcha hacia adelante.

#### BOTON DE ENCENDIDO PERMANENTE

Su taladro está equipado con un dispositivo de encendido permanente. Si desea desactivar esta característica, lleve su herramienta a cualquier centro de servicio autorizado. El centro de servicio le puede proporcionar una llave de seguridad para evitar que la unidad se asegure en el modo de encendido permanente (figura 3).

#### Operación

##### PARA TALADRAR

1. Desconecte siempre el taladro antes de poner o cambiar brocas o accesorios.
2. Utilice exclusivamente brocas afiladas. Para taladrar MADERA emplee brocas helicoidales, brocas de horquilla o brocas sierra. Para taladrar METAL use brocas helicoidales de alta velocidad o brocas sierra. Para taladrar MAMPOSTERIA, ladrillo, cemento, etc., utilice brocas con punta de carburo de tungsteno.
3. Asegúrese de que el material que va a taladrar este firmemente anclado o afianzado. Si perfora material delgado, aplique al mismo un respaldo de madera para evitar dañarlo.
4. Aplique presión a la broca siempre en línea recta. Haga suficiente presión para que la broca siga perforando, pero no tanta para que el motor se atasque o la broca se desvíe.
5. Sujete la herramienta firmemente para controlar la acción de torsión de la broca.
6. **SI EL TALADRO SE TRABA**, esto se deberá posiblemente a que está sobrecargado o que se está utilizando en forma indebida. **SUELTE EL GATILLO DE INMEDIATO**, retire la broca del barreno y determine la causa del atascamiento. **NO APRIETE EL GATILLO PARA HACER PRUEBAS DE ENCENDIDO Y APAGADO, PUES PODRIA DAÑARLO.**
7. Para reducir el peligro de que se atasque el taladro, reduzca la presión y deje ir suavemente la broca hacia el final del barreno.

8. Conserve el motor trabajando al retirar la broca del interior del barreno. De esta manera evitará que se atasque.
9. Con los taladros de velocidad variable no hay necesidad de poner un "punto" de centrado para iniciar los barrenos. Utilice velocidad baja para iniciar la perforación, y acelere oprimiendo el gatillo cuando el barreno tenga suficiente profundidad.

### **Portabrocas con llave**

Abra las mordazas del portabrocas girando el collarín con los dedos e inserte el vástago de la broca aproximadamente 19 mm (3/4") dentro del portabrocas. Apriete el collarín del portabrocas a mano. Coloque la llave del portabrocas en cada uno de los tres orificios, y apriete EN EL SENTIDO DE LAS MANECILLAS DEL RELOJ. Es muy importante apretar el portabrocas desde los tres orificios. Para sacar una broca, gire el portabrocas en sentido contrario a las manecillas del reloj, desde uno de los orificios, y después continúe a mano. Cualquier centro de servicio autorizado DeWALT puede instalarle a su taladro un portabrocas sin llave en lugar del que tiene.

### **Portabrocas sin llave**

Abra las mordazas del portabrocas girando el collarín de plástico con los dedos e inserte el vástago de la broca aproximadamente 19 mm (3/4") en el portabrocas. Apriete el collarín de plástico EN EL SENTIDO DE LAS MANECILLAS DEL RELOJ al mismo tiempo que oprime el botón del seguro de la flecha que se encuentra del lado derecho de la carcasa de la herramienta (fig. 4). Para sacar la broca, gire el collarín de plástico EN SENTIDO CONTRARIO A LAS MANECILLAS DEL RELOJ mientras oprime el botón del seguro de la flecha (fig. 4). **NOTA:** NO OPRIMA EL BOTON DEL SEGURO DE LA FLECHA MIENTRAS OPERA EL TALADRO o mientras el portabrocas esté en movimiento.

### **Taladrado en metal**

Utilice un lubricante para corte cuando perfore metales, excepto en los casos de hierro colado o latón en los que se deberá taladrar en seco. Los lubricantes más adecuados para corte son los de aceite sulfúrico y la manteca de cerdo.

### **Taladrado en madera**

Los barrenos en madera pueden hacerse con las mismas brocas que se utilizan para metal. Para evitar que las brocas se sobrecalienten, deben sacarse frecuentemente del barreno para quitar las virutas acumuladas en las estrías. Para hacer perforaciones más grandes, emplee brocas de poder para madera. El material que podría astillarse debe protegerse con un respaldo de madera.

### **Taladrado en mampostería**

Utilice brocas con punta de carburo de tungsteno a bajas velocidades. Conserve uniforme la presión sobre el taladro, pero no al grado que se despostillen los materiales. La salida continua de volutas de polvo indica que se está aplicando la velocidad apropiada.

### **Mango lateral**

Su taladro podría incluir un mango lateral. Los siguientes modelos incluyen mangos laterales: DW231, DW235G, DW235-220, DW236, DW238, DW239, DW245, DW246, DW248, DW249. El mango lateral se instala en la parte delantera de la caja de engranajes y se puede rotar 360 grados para uso ambidiestro.

**⚠ ADVERTENCIA:** Si su taladro incluye un mango lateral, utilícelo siempre y sujete el taladro con ambas manos.

### **Mantenimiento**

Utilice únicamente un jabón suave y un trapo húmedo para limpiar la herramienta. Nunca permita que se introduzca ningún líquido en la herramienta, ni sumerja ninguna parte de ésta en ningún líquido.

Se han empleado baleros auto lubricantes en la fabricación de esta herramienta y no se requiere de lubricación periódica. En el improbable caso que su herramienta llegase a requerir servicio, llévela a un centro de servicio autorizado.

### **Accesorios**

Dispone usted de los accesorios para su herramienta por un cargo adicional con su distribuidor local autorizado.



EL ACCESORIO DEBE ESTAR CLASIFICADO PARA UTILIZARSE A UNA VELOCIDAD IGUAL O MAYOR QUE LAS R.P.M. SEÑALADAS EN LA PLACA DE IDENTIFICACION DE LA HERRAMIENTA QUE SE ESTE EMPLEANDO.

Si necesita ayuda para encontrar cualquier accesorio, por favor comuníquese al 326-7100.

⚠ **PRECAUCION:** El empleo de cualquier otro accesorio no recomendado para utilizarse con esta herramienta puede ser peligroso.

### Reparaciones

Para garantizar la SEGURIDAD y la CONFIABILIDAD, deberán hacerse reparaciones, mantenimiento y ajustes de esta herramienta (inclusive inspección y cambio de carbones) en los centros autorizados de servicio u otras organizaciones autorizadas que empleen siempre refacciones legítimas.

#### PARA REPARACION Y SERVICIO DE SUS HERRAMIENTAS ELECTRICAS FAVOR DE DIRIGIRSE AL CENTRO DE SERVICIO MAS CERCANO

CULIACAN Av. Nicolas Bravo #1063 Sur	(91 671) 242 10
GAUDALAJARA Av. La Paz #1779	(91 3) 826 69 78.
MEXICO Eje Lázaro Cárdenas No. 18 Local D, Col. Obrera	588-9377
MERIDA Calle 63 #459-A	(91 99) 23 54 90
MONTERREY Av. Francisco I. Madero Pte. 1820-A	(91 83) 72 11 25
PUEBLA 17 Norte #205	(91 22) 46 37 14
QUERETARO Av. Madero 139 Pte.	(91 42) 14 16 60

SAN LOUIS POTOSI Pedro Moreno #100 Centro	(91 48) 14 25 67
TORREON Blvd. Independencia, 96 pte.	(91 17) 16 52 65
VERACRUZ Prolongación Diaz Miron #4280	(91 29) 21 70 16
VILLAHERMOSA Constitucion 516-A	(91 93) 12 53 17

**PARA OTRAS LOCALIDADES LLAME AL: 326 7100**

### Póliza de Garantía

IDENTIFICACIÓN DEL PRODUCTO:

Sello o firma del Distribuidor.

Nombre del producto: \_\_\_\_\_ Mod./Cat.: \_\_\_\_\_

Marca: \_\_\_\_\_ Núm. de serie: \_\_\_\_\_

(Datos para ser llenados por el distribuidor)

Fecha de compra y/o entrega del producto: \_\_\_\_\_

Nombre y domicilio del distribuidor donde se adquirió el producto: \_\_\_\_\_

Este producto está garantizado por un año a partir de la fecha de entrega, contra cualquier defecto en su funcionamiento, así como en materiales y mano de obra empleados para su fabricación. Nuestra garantía incluye la reparación o reposición del producto y/o componentes sin cargo alguno para el cliente, incluyendo mano de obra, así como los gastos de transportación razonablemente erogados derivados del cumplimiento de este certificado.

Para hacer efectiva esta garantía deberá presentar su herramienta y esta póliza sellada por el establecimiento comercial donde se adquirió el producto, de no contar con ésta, bastará la factura de compra.

**Español**



**EXCEPCIONES.**

Esta garantía no será válida en los siguientes casos:

- Cuando el producto se hubiese utilizado en condiciones distintas a las normales;
- Cuando el producto no hubiese sido operado de acuerdo con el instructivo de uso que se acompaña;
- Cuando el producto hubiese sido alterado o reparado por personas distintas a las enlistadas al final de este certificado.

Anexo encontrará una relación de sucursales de servicio de fábrica, centros de servicio autorizados y franquiciados en la República Mexicana, donde podrá hacer efectiva su garantía y adquirir partes, refacciones y accesorios originales.

**Garantía Completa**

Las herramientas industriales DeWALT están garantizadas durante un año a partir de la fecha de compra. Repararemos, sin cargos, cualquier falla debida a material o mano de obra defectuosos. Por favor regrese la unidad completa, con el transporte pagado, a cualquier Centro de Servicio para Herramientas Industriales de DeWALT o a las estaciones de servicio autorizado enlistadas bajo "Herramientas Eléctricas" en la Sección Amarilla. Esta garantía no se aplica a los accesorios ni a daños causados por reparaciones efectuadas por terceras personas. Esta garantía le otorga derechos legales específicos, y usted puede tener otros derechos que pueden variar de estado a estado.

En adición a la garantía, las herramientas DeWALT están amparadas por nuestra:

**GARANTÍA DE SATISFACCIÓN SIN RIESGO POR 30 DÍAS**

Si usted no se encuentra completamente satisfecho con el desempeño de su herramienta industrial DeWALT, sencillamente devuélvala a los vendedores participantes durante los primeros 30 días después de la fecha de compra para que le efectúen un reembolso completo. Por favor regrese la unidad completa, con el transporte pagado. Se puede requerir prueba de compra.

**REEMPLAZO DE LAS ETIQUETAS DE ADVERTENCIA**

**GRATUITO:** Si sus etiquetas de advertencia se tornan ilegibles o se pierden, llame al 1-800-4-DeWALT para que se las reemplacen sin cost.

**Especificaciones****(DW217, DW222)**

Tensión de alimentación 120 V CA/CD

Consumo de corriente: 6,7 A

Frecuencia de operación: 60 Hz

**(DW221, DW223G, DW226, DW231)**

Tensión de alimentación 120 V CA~

Consumo de corriente: 7 A

Frecuencia de operación: 50/60 Hz

**(DW223-220)**

Tensión de alimentación 230 V CA~

Consumo de corriente: 3,3 A

Frecuencia de operación: 50/60 Hz

**(DW235G, DW236, DW239, DW245, DW246, DW249)**

Tensión de alimentación 120 V CA~

Consumo de corriente: 7,8 A

Frecuencia de operación: 50/60 Hz

**(DW235-220)**

Tensión de alimentación 230 V CA~

Consumo de corriente: 3,5 A

Frecuencia de operación: 50/60 Hz

IMPORTADO: DeWALT S.A. DE C.V.  
BOSQUES DE CIDROS ACCESO RADIATAS NO. 42  
COL. BOSQUES DE LAS LOMAS.  
05120 MÉXICO, D.F.  
TEL. 326-7100

Para servicio y ventas consulte  
"HERRAMIENTAS ELECTRICAS"  
en la sección amarilla.



## Free Manuals Download Website

<http://myh66.com>

<http://usermanuals.us>

<http://www.somanuals.com>

<http://www.4manuals.cc>

<http://www.manual-lib.com>

<http://www.404manual.com>

<http://www.luxmanual.com>

<http://aubethermostatmanual.com>

Golf course search by state

<http://golfingnear.com>

Email search by domain

<http://emailbydomain.com>

Auto manuals search

<http://auto.somanuals.com>

TV manuals search

<http://tv.somanuals.com>