

BLACK & DECKER®



INSTRUCTION MANUAL

Catalog No. LE750
TYPE 4

THANK YOU FOR CHOOSING BLACK & DECKER!
GO TO WWW.BLACKANDDECKER.COM/NEWOWNER
TO REGISTER YOUR NEW PRODUCT.

**BEFORE RETURNING THIS PRODUCT
FOR ANY REASON PLEASE CALL
1-800-544-6986**

BEFORE YOU CALL, HAVE THE CATALOG No. AND DATE CODE AVAILABLE. IN MOST CASES, A BLACK & DECKER REPRESENTATIVE CAN RESOLVE THE PROBLEM OVER THE PHONE. IF YOU HAVE A SUGGESTION OR COMMENT, GIVE US A CALL. YOUR FEEDBACK IS VITAL TO BLACK & DECKER.

KEY INFORMATION YOU SHOULD KNOW:

- Your edger is designed to eject clippings and other debris forward, away from the operator.
- Inspect and thoroughly clean your edger at the start of each edging season.
- The blade on this tool is not intended to be sharp. Do not sharpen it in any way.
- Make sure edging area (100 ft.) is clear of other persons or pets prior to starting operation.

SAVE THIS MANUAL FOR FUTURE REFERENCE. VEA EL ESPAÑOL EN LA CONTRAPORTADA.

INSTRUCTIVO DE OPERACIÓN, CENTROS DE SERVICIO Y
POLIZA DE GARANTÍA. **ADVERTENCIA:** LEÁSE ESTE
INSTRUCTIVO ANTES DE USAR EL PRODUCTO.

CAT. NO. LE750 TYPE 4
Copyright © 2007 Black & Decker

FORM NO. 90517808

OCT. '07
PRINTED IN CHINA

⚠️ WARNING: IMPORTANT SAFETY WARNINGS AND INSTRUCTIONS

⚠️ **WARNING:** When using electric gardening appliances, basic safety precautions should always be followed to reduce risk of fire, electric shock, and personal injury, including the following.

⚠️ **WARNING:** Some dust created by this product contains chemicals known to the State of California to cause cancer, birth defects or other reproductive harm. Some examples of these chemicals are:

- compounds in fertilizers
- compounds in insecticides, herbicides and pesticides
- arsenic and chromium from chemically treated lumber

To reduce your exposure to these chemicals, wear approved safety equipment such as dust masks that are specially designed to filter out microscopic particles.

⚠️ **WARNING:** This product contains chemicals, including lead, known to the State of California to cause cancer, and birth defects or other reproductive harm. Wash hands after handling.

⚠️ **CAUTION:** Wear appropriate personal hearing protection during use. Under some conditions and duration of use, noise from this product may contribute to hearing loss.

READ ALL INSTRUCTIONS

TO REDUCE RISK OF INJURY:

- Before any use, be sure everyone using this tool reads and understands all safety instructions and other information contained in this manual.
- Save these instructions and review frequently prior to use and in instructing others.

SAFETY GUIDELINES - DEFINITIONS

It is important for you to read and understand this manual. The information it contains relates to protecting YOUR SAFETY and PREVENTING PROBLEMS. The symbols below are used to help you recognize this information.

⚠️ **DANGER:** Indicates an imminently hazardous situation which, if not avoided, will result in death or serious injury.

⚠️ **WARNING:** Indicates a potentially hazardous situation which, if not avoided, could result in death or serious injury.

⚠️ **CAUTION:** Indicates a potentially hazardous situation which, if not avoided, may result in minor or moderate injury.

CAUTION: Used without the safety alert symbol indicates a potentially hazardous situation which, if not avoided, may result in property damage.

READ ALL INSTRUCTIONS

⚠️ GENERAL SAFETY WARNINGS AND INSTRUCTIONS FOR ALL TOOLS

⚠️ SAFETY WARNINGS AND INSTRUCTIONS: DOUBLE INSULATION

REPLACEMENT PARTS: When servicing use only identical Black & Decker replacement parts.

⚠️ IMPORTANT SAFETY INSTRUCTIONS: POLARIZED PLUGS

To reduce the risk of electric shock, this equipment has a polarized plug (one blade is wider than the other). This equipment must be used with a suitable polarized 2 wire or 3 wire extension cord. Polarized connections will fit together only one way. Make sure that the receptacle end of the extension cord has large and small blade slot widths. If the plug does not fit fully into the extension cord, reverse the plug. If it still does not fit, obtain a suitable extension cord. If the extension cord does not fit fully into the outlet, contact a qualified electrician to install the proper outlet. Do not modify the appliance plug or extension cord in any way.

THIS TOOL CAN BE DANGEROUS. Follow all warnings and Safety Instructions in this manual. The operator is responsible for following warnings and instructions in this manual and on unit. Restrict use of this power tool to persons who read, understand and follow warnings and instructions in this manual and on unit.

- AVOID DANGEROUS ENVIRONMENT.** Don't use appliances in damp or wet locations. Don't use appliances in the rain.
- KEEP CHILDREN AWAY.** All other persons and pets should be kept at a safe distance from work area.
- STORE IDLE APPLIANCES INDOORS.** Appliances should be stored indoors in dry, secured area – out of reach of children.

- DON'T FORCE APPLIANCE.** It will do the job better and with less likelihood of a risk of injury at the rate for which it was designed.
- USE RIGHT APPLIANCE.** Do not use the appliance for any job except that for which it is intended.
- DRESS PROPERLY.** Do not wear loose clothing or jewelry. They can be caught in moving parts. Rubber gloves, long pants and substantial, non-skid footwear are recommended when working outdoors. Do not go barefoot or wear sandals. Wear protective hair covering to contain long hair.
- USE SAFETY GLASSES AND OTHER SAFETY EQUIPMENT.** Use safety goggles or safety glasses with side shields, complying with applicable safety standards and, when needed, a face shield. Also use face or dust mask if operation is dusty. This applies to all persons in the work area. Also use a hard hat, hearing protection, gloves, safety shoes and dust collection systems when specified or required. Safety glasses or the like are available at extra cost at your local dealer or Black & Decker Service Center.
- DON'T ABUSE CORD.** Never carry appliance by cord or yank it to disconnect from receptacle. Keep cord from heat, oil, and sharp edges.
- DON'T OVERREACH.** Keep proper footing and balance at all times.
- MAINTAIN APPLIANCE WITH CARE.** Keep cutting edge clean for best performance and to reduce the risk of injury. Follow instructions for lubricating and changing accessories. Inspect appliance cord periodically and if damaged, have it repaired by authorized service facility. Inspect extension cords periodically and replace if damaged. Keep handles dry, clean, and free from oil and grease.
- DISCONNECT APPLIANCES.** Disconnect the appliance from the power supply when not in use, before servicing, and when changing accessories such as blades and the like.
- AVOID UNINTENTIONAL STARTING.** Don't carry plugged-in appliance with finger on switch. Be sure switch is off when plugging in.
- EXTENSION CORDS.** Make sure your extension cord is in good condition. Cord insulation must be intact with no cracks or deterioration. Plug connectors must be undamaged. When using an extension cord, be sure to use one heavy enough to carry the current your product will draw. An undersized extension cord will cause a drop in line voltage resulting in loss of power and overheating, which can shorten the life of the motor. The table shows the correct size to use depending on cord length and nameplate ampere rating. If in doubt, use the next heavier gage. The smaller the gage number, the heavier the cord.

Volts	Minimum Gage for Cord Sets Total Length of Cord in Feet			
	0-25 (0-7,6m)	26-50 (7,6-15,2m)	51-100 (15,2-30,4m)	101-150 (30,4-45,7m)
120V				
240V	0-50 (0-15,2m)	51-100 (15,2-30,4m)	101-200 (30,4-60,9m)	201-300 (60,9-91,4m)
Ampere Rating		American Wire Gage		
More Than	Not more Than			
0 - 6	18	16	16	14
6 - 10	18	16	14	12
10 - 12	16	16	14	12
12 - 16	14	12	Not Recommended	

- indicates the Edger is "DOUBLE INSULATED"
- OUTDOOR USE EXTENSION CORDS** ⚠️ **WARNING:** To reduce the risk of electric shock, use only with an extension cord intended for outdoor use, such as an extension cord of type SW-A, SOW-A, STW-A, STOW-A, SJW-A, SJOW-A, SJTW-A, or SJTOW-A.
- GROUND FAULT CIRCUIT INTERRUPTER (GFCI)** protection should be provided on the circuits or outlets to be used for the gardening appliance. Receptacles are available having built in GFCI protection and may be used for this measure of safety.
- STAY ALERT.** Watch what you are doing. Use common sense. Do not operate appliance when you are tired, ill or under the influence of any drugs or alcohol.
- CHECK DAMAGED PARTS.** Before further use of the appliance, a guard or other part that is damaged should be carefully checked to determine that it will operate properly and perform its intended function. Check for alignment of moving parts, binding of moving parts, breakage of parts, mounting, and any other conditions that may affect its operation. A guard or other part that is damaged should be properly repaired or replaced by an authorized service center unless otherwise indicated elsewhere in this manual.
- REPAIRS AND SERVICE.** Repairs, maintenance and any adjustments not specified in this manual should be performed by Black & Decker authorized service centers or other qualified service organizations, always using identical replacement parts.
- USE OF ACCESSORIES AND ATTACHMENTS.** The use of any accessory or attachment not recommended for use with this appliance could be hazardous. Note: Refer to the accessory section of this manual for further details.

⚠️ ADDITIONAL WARNINGS FOR EDGERS

- Keep guard in place.
- Keep blade area clean.

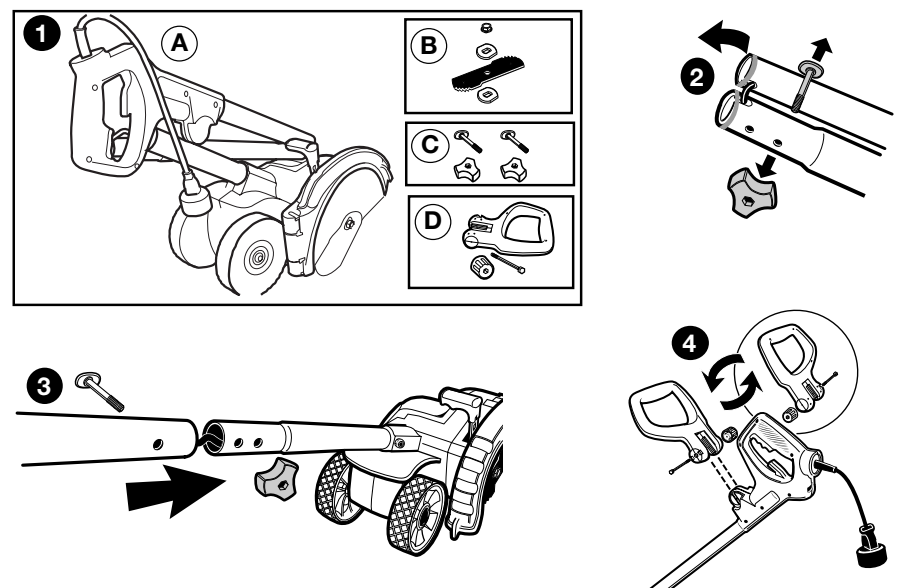
⚠️ **DANGER:** Risk of injury. Keep hands and feet away from blade and cutting area.

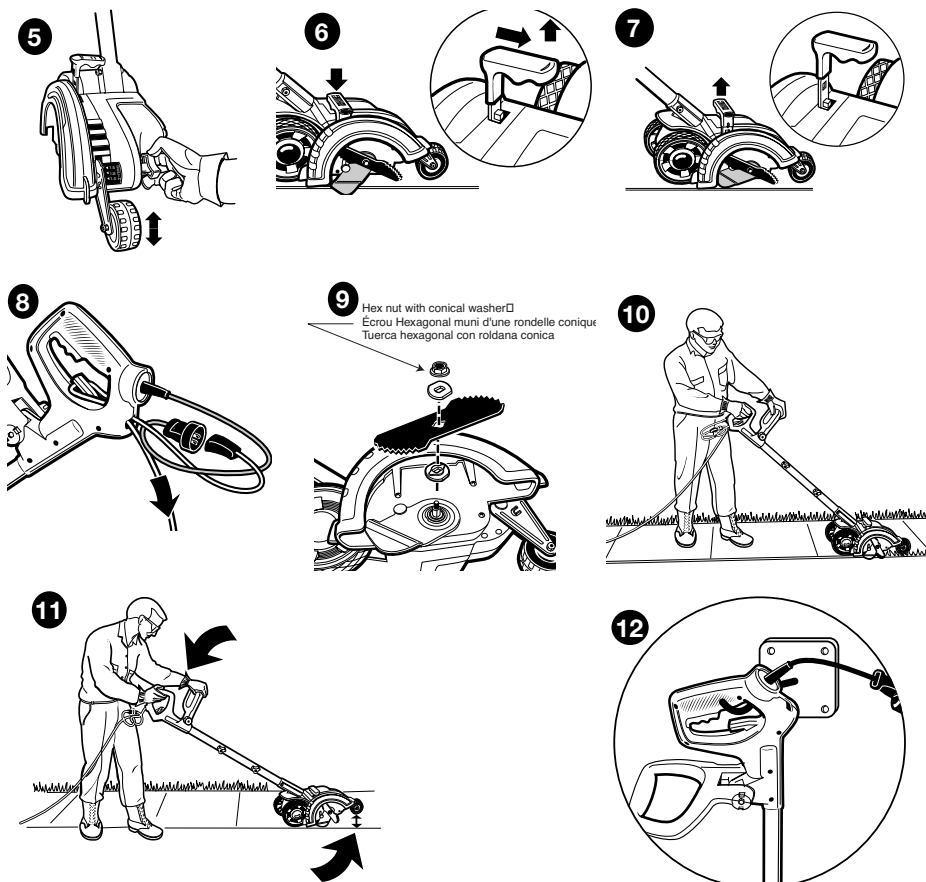
⚠️ WARNING:

When using the edger, stones, pieces of metal and other objects can be thrown out at high speed by the blade. The tool and guard are designed to reduce the danger. However, the following special precautions should be taken:

- Wear safety glasses or other eye protection, gloves, long pants and substantial footwear.
- Make sure that other persons and pets are at least 100 feet away.
- Always stand to left side of main handle.
- Before Landscaping or Trenching, check for buried electrical cables.
- To reduce the risk of rebound (ricochet) injury, work going away from any nearby solid object such as a wall, steps, large stone, tree, etc. Use great care when working close to solid objects or into the wind, and, where necessary, do edging or trimming by hand.

SAVE THESE INSTRUCTIONS





ASSEMBLY INSTRUCTIONS

BEFORE ASSEMBLING YOUR EDGER, CHECK THAT YOU HAVE RECEIVED THE FOLLOWING IN THE SHIPPING CARTON.

SEE FIGURE 1.

- LE750 Landscape/Edger
- Edge Hog blade with nut, conical washer and spacer system (assembled to unit)
- Handle tube bolts and knobs (assembled to handle tubes)
- Auxiliary handle, with bolt and knob.

ASSEMBLING THE HANDLE

Assemble Handle Tubes (Figure 2 and 3)

- Remove knobs and curved head bolts from handle tube mounting holes.
- Remove tape which secures internal jacketed cable to tubes.
- Slide middle tube into upper tube and fasten handle tubes together with the knob and curved head bolt. Note that when you first insert the bolt it may be necessary to wiggle it carefully to get it past the jacketed cable inside the tube. There are two positions available for adjustment to your preferred height setting. See Figure 11 for upper handle orientation. Ensure the cable moves smoothly into the handle tubes while assembling.
- Push jacketed cable down into lower tube to remove the slack. Slide the middle tube into the lower by locating the groove and the bump. Fasten handle tubes together with the remaining knob and curved head bolt. Note that when you first insert the bolt it may be necessary to wiggle it carefully to get it past the jacketed wire inside the tube.

CAUTION: NEVER use a sharp object to move jacketed wires out of the way.

POSITION AUXILIARY HANDLE (FIGURE 2)

- Undo the knob from the bolt in the auxiliary handle and push/pull the bolt out of the handle.
- Slide the auxiliary handle onto the main handle. The auxiliary handle can be positioned for either left or right-hand operation whichever is more comfortable. The auxiliary handle is NOT adjustable forward/back.
- Insert the bolt back into the auxiliary handle hole on the side with the hex recess, attach the knob and fully tighten.

CUT DEPTH ADJUSTMENT (FIGURE 5)

DANGER: UNPLUG TOOL! WAIT FOR BLADE TO COME TO COMPLETE STOP!

The front wheel can be adjusted to allow a deeper or shallower cut, and to increase the life of the blade. Change the cut depth from the shipping position to your desired depth by:

- Wait for blade to come to complete stop!
- UNPLUG TOOL!
- Loosen the Cut Depth Knob.
- Adjust wheel depth, using the depth indicator on the wheel bracket and the marking on the front housing.

Note: Recommend 1 in. depth for edging.

- Tighten Knob firmly.

Tip: Thick overgrowth may drag on the guard. Reduce cut depth to minimum to help reduce this effect.

PULL-UP EDGE GUIDE (FIGURE 6, 7)

The edge guide is useful for cutting a straight path along sidewalks. For landscaping or trenching in the yard the edge guide can interfere with moving the edger through hard soil or sod. The edge guide can be adjusted so that the tool will also perform TRENCHING and LANDSCAPING operations.

TO CHANGE POSITION OF THE EDGE GUIDE

DANGER: UNPLUG TOOL! WAIT FOR BLADE TO COME TO COMPLETE STOP!

- Wait for blade to come to complete stop!
- UNPLUG TOOL!
- Pull Edge Guide Knob sideways to unlock from the guard tab, see Figure 6 detail, in direction of small arrow. Lift the knob up until the lower square notch in the lever lines up with the tab on the guard. In this position the edge guide is lifted up (Figure 7) so the tool can easily cut along the edges of flower and shrubbery beds, and around trees in preparation for trenching or sod removal.
- To return edge guide to lower position, pull lever sideways and push down until guard tab fits into upper lever hole.

Tip: You may need to tilt edger back to allow edge guide to be moved into down position.

ATTACHING EXTENSION CORD TO EDGER (FIGURE 8)

IMPORTANT SAFETY INSTRUCTIONS: POLARIZED PLUGS

To reduce the risk of electric shock, this equipment has a polarized plug (one blade is wider than the other). Do not modify the appliance plug or extension cord in any way. **Read IMPORTANT SAFETY INSTRUCTIONS at beginning of manual. Note: Check the extension cord safety instructions provided earlier.**

- To prevent disconnection of edger cord, secure extension cord by tying the power plug as shown.
- Insert plug into cord socket.
- An extension cord retainer is built into the switch handle to reduce strain on the power cord. To use this feature, simply double the extension cord as shown, about a foot from the end, and insert it into the end of the handle. Hook the loop formed by doubling the cord over

the tab. Gently tug on the cord to ensure that it is firmly retained in the handle.

- Keep extension cord clear of operator, unit, and any obstacles at all times. Do not expose the cord to heat, oil, water, or sharp edges.

BLADE (FIGURE 9)

DANGER: UNPLUG TOOL! WAIT FOR BLADE TO COME TO COMPLETE STOP!

The blade, two spacers and hex head nut with conical washer should be attached to your edger in the order shown. Please check that the blade has been properly mounted before using your edger. The Edge Hog blade has two wear indicators that show when blade needs to be replaced. When the blade wears to the small hole at each end of the blade it will give only 1/4 in. depth of cut and should be replaced.

Tip: To increase blade life, keep initial cutting depth at minimum and increase depth setting as blade wears.

TO REMOVE THE BLADE FOR REPLACEMENT:

DANGER: UNPLUG TOOL! WAIT FOR BLADE TO COME TO COMPLETE STOP!

DANGER: Blade rotates momentarily after the switch is released.

- Loosen the hex head nut (9/16 in.). Use a 1 in. wrench on the outer spacer, or a 2 in. x 4 in. wood block between the blade and guard if necessary to hold the blade from turning.

TO ATTACH NEW BLADE:

- Ensure inner spacer is on shaft—"flats" in spacer hole must engage with "flats" on shaft.
- Holding the spacer in place, put the blade on the shaft, as shown (Figure 9).
- Hold the blade against the spacer and install the outer spacer, again aligning the flats in the spacer with the flats on the shaft.
- Install the hex head nut and conical washer, then tighten with a wrench (140 in.pounds).

Note: Replace hex head nut and conical washer only with identical replacement part, see Service Information.

SWITCH

To turn tool ON, squeeze the trigger switch. The trigger has been designed so that it is very easy to hold in the ON position. To turn tool OFF, release the trigger.

OPERATING INSTRUCTIONS

NOTE: The edger is a major appliance and should not be operated simultaneously with other major appliances on the same household circuit.

WARNING: Make sure that other persons and pets are at least 100 feet away.

- Set cut depth at 1 in. and set edge guide to the down position, refer to Assembly Instructions.
 - Before starting the edger, line up the tool so the edge guide rests against the edge of the paved surface (Figure 10). Both rear wheels should be on the paved surface when edging.
- Tip: When there is heavy overgrowth of grass over the paved surface it may drag on the guard. An initial cut may be required with the edger on the grass side. This will require lifting up the edge guide and may require reducing the depth of cut (see Edge Guide and Depth Adjustment instructions).**
- To avoid kickback of edger, tilt the handle down so the blade is above the ground (Figure 11).
 - Turn switch ON and allow blade to spin without moving tool.
 - Slowly lift the handle to lower the blade, finding the edge of the paved surface and start edging. Then move tool forward slowly along edge of paved surface, keeping the edge guide pressed lightly against the pavement edge.

For the first edging each season, it is best to move forward slowly because grass is thickest then. Subsequent edging will be completed more rapidly. If the tool slows down, back it up an inch or two until the blade comes up to normal speed. During edging some sparks may be generated from hitting stones. This is normal. Do not attempt to edge when the grass or soil is wet or moist—for electrical safety and to prevent clogging of the blade chamber. If you must edge under conditions that cause the blade chamber to become clogged, release trigger, wait for blade to come to complete stop! UNPLUG TOOL! open door and remove clogged material with a stick. To continue to operate the tool in a clogged condition will seriously overload the motor.

CAUTION: Do not attempt to unclog the blade chamber by dropping or tapping the tool on the ground. This can damage the unit. Keep hands clear of edge guide and blade when cleaning as these wear to a very sharp point during edging.

LANDSCAPING/TRENCHING

WARNING: Before Landscaping or Trenching, inspect and ensure there are no exposed or buried cables, pipes or other objects that may create a hazard or interfere with operating the edger. Set depth to only that required for the job. Do not overload. If tool slows, pull back slightly and wait until blade comes up to normal speed.

STORAGE

WARNING: Be sure the tool is unplugged.

Remove and clean any debris from the outside of the edger and inside of guard before storage. See MAINTENANCE section. If necessary, the edger may be stored by hanging on a hook by its handle. See Figure 12.

CAUTION: DO NOT HANG EDGER ON THE SWITCH TRIGGER OR POWER CORD!

Note: Do not store the tool on or adjacent to fertilizers or chemicals. Such storage can cause rapid corrosion.

PREVENTING CORROSION

Fertilizers and other garden chemicals contain agents that greatly accelerate the corrosion of metals. If you use the tool in areas where fertilizers or chemicals have been used, the tool should be cleaned immediately afterwards.

Wipe all exposed parts with a damp cloth. You may lubricate only metal parts with a light petroleum based oil.

When cleaning, DO NOT immerse tool in water or squirt it with a hose.

MAINTENANCE

Use only mild soap and damp cloth to clean the tool. Never let any liquid get inside the tool; never immerse any part of the tool into a liquid.

IMPORTANT: To assure product SAFETY and RELIABILITY, repairs, maintenance and adjustment should be performed by authorized service centers or other qualified service organizations. Use only identical replacement parts.

Inspect and thoroughly clean your edger at the beginning of each edging season for longer life and better performance.

ACCESSORIES

Recommended accessories for use with your tool are available from your local dealer or authorized service center. If you need assistance regarding accessories, please call: **1-800-544-6986.**

WARNING: The use of any accessory not recommended for use with this tool could be hazardous.

TROUBLESHOOTING

Problem

- Unit will not start.

Possible Cause

- Cord not plugged in.
- Circuit fuse is blown.

- Circuit breaker is tripped.

- Cord or switch is damaged.

Possible Solution

- Plug tool into a working outlet.
- Replace circuit fuse.
(If the product repeatedly causes the circuit fuse to blow, discontinue use immediately and have it serviced at a Black & Decker service center or authorized servicer.)
- Reset circuit breaker.
(If the product repeatedly causes the circuit breaker to trip, discontinue use immediately and have it serviced at a Black & Decker service center or authorized servicer.)
- Have cord or switch replaced at Black & Decker Service Center or Authorized Servicer

For assistance with your product, visit our website www.blackanddecker.com for the location of the service center nearest you or call the BLACK & DECKER help line at **1-800-544-6986**.

SERVICE INFORMATION

All Black & Decker Service Centers are staffed with trained personnel to provide customers with efficient and reliable power tool service. Whether you need technical advice, repair, or genuine factory replacement parts, contact the Black & Decker location nearest you. To find your local service location, refer to the yellow page directory under "Tools—Electric" or call: **1-800-544-6986** or visit www.blackanddecker.com

FULL TWO-YEAR HOME USE WARRANTY

Black & Decker (U.S.) Inc. warrants this product for two years against any defects in material or workmanship. The defective product will be replaced or repaired at no charge in either of two ways.

The first, which will result in exchanges only, is to return the product to the retailer from whom it was purchased (provided that the store is a participating retailer). Returns should be made within the time period of the retailer's policy for exchanges (usually 30 to 90 days after the sale). Proof of purchase may be required. Please check with the retailer for their specific return policy regarding returns that are beyond the time set for exchanges.

The second option is to take or send the product (prepaid) to a Black & Decker owned or authorized Service Center for repair or replacement at our option. Proof of purchase may be required. Black & Decker owned and authorized Service Centers are listed under "Tools-Electric" in the yellow pages of the phone directory.

This warranty does not apply to accessories. This warranty gives you specific legal rights and you may have other rights which vary from state to state or province to province. Should you have any questions, contact the manager of your nearest Black & Decker Service Center. This product is not intended for commercial use.

FREE WARNING LABEL REPLACEMENT: If your warning labels become illegible or are missing, call **1-800-544-6986** for a free replacement.

Imported by
Black & Decker (U.S.) Inc.,
701 E. Joppa Rd.
Towson, MD 21286 U.S.A.



BlackandDecker.com
1-800-544-6986

See 'Tools-Electric'
- Yellow Pages -
for Service & Sales



Coupe-bordure « 2 dans 1 » pour l'aménagement paysager

GUIDE D'UTILISATION

**AVANT DE RETOURNER CE PRODUIT POUR QUELQUE
RAISON QUI SOIT, VEUILLEZ APPELER AU
1-800-54-HOW-TO (544-6986)**

RENSEIGNEMENTS IMPORTANTS

- Le coupe-bordure est conçu pour éjecter les brins d'herbe et autres débris vers l'avant, loin de l'utilisateur.
- Inspecter et bien nettoyer le coupe-bordure au début de chaque saison de coupe.
- La lame du produit ne doit pas être tranchante. Ne l'affûter en aucun cas.
- S'assurer qu'il n'y a ni personnes ni animaux dans la zone de coupe (30 m (100 pi)) avant le début des travaux.

CONSERVER LE PRÉSENT GUIDE À TITRE DE RÉFÉRENCE.

AVERTISSEMENT : IMPORTANTES MESURES DE SÉCURITÉ

AVERTISSEMENT : Afin de réduire les risques d'incendie, de secousses électriques ou de blessures lorsqu'on utilise des outils de jardinage électriques, il faut toujours respecter les mesures de sécurité suivantes.

AVERTISSEMENT : Le produit génère de la poussière qui peut renfermer des produits chimiques. Selon l'état de la Californie, ces produits chimiques peuvent causer le cancer ainsi que des malformations congénitales, et ils présentent d'autres dangers au système reproductif humain. Voici des exemples de tels produits chimiques :

- les composés d'engrais;
- les composés d'insecticides, d'herbicides et de pesticides;
- l'arsenic et le chrome provenant de bois traité.

Afin de minimiser les risques, porter de l'équipement de sécurité approuvé comme des masques antipoussières spécialement conçu pour filtrer les particules microscopiques.

AVERTISSEMENT : Le produit renferme des produits chimiques, dont du plomb. Selon l'état de la Californie, ce produit chimique peut causer le cancer ainsi que des malformations congénitales, et il présente d'autres dangers au système reproductif humain. Se laver les mains après l'utilisation.

MISE EN GARDE : Porter un dispositif approprié de protection de l'ouïe lors de l'utilisation du produit. Dans certaines conditions et durées d'utilisation, le produit peut émettre un niveau de bruit provoquant la perte de l'ouïe.

LIRE TOUTES LES DIRECTIVES.

AFIN DE RÉDUIRE LES RISQUES DE BLESSURES :

- Avant toute utilisation, s'assurer que tous ceux qui se servent de l'outil lisent et comprennent toutes les mesures de sécurité et tout autre renseignement contenu dans le présent guide.
- Conserver ces mesures et les relire fréquemment avant d'utiliser l'outil et d'en expliquer le fonctionnement à d'autres personnes.

LIGNES DIRECTRICES EN MATIÈRE DE SÉCURITÉ - DÉFINITIONS

Il est important que vous lisiez et compreniez ce mode d'emploi. Les informations qu'il contient concernent VOTRE SÉCURITÉ et visent à ÉVITER TOUT PROBLÈME. Les symboles ci-dessous servent à vous aider à reconnaître cette information.

DANGER : Indique une situation dangereuse imminente qui, si elle n'est pas évitée, causera la mort ou des graves blessures.

AVERTISSEMENT : Indique une situation potentiellement dangereuse qui, si elle n'est pas évitée, pourrait causer la mort ou de graves blessures.

MISE EN GARDE : Indique une situation potentiellement dangereuse qui, si elle n'est pas évitée, pourrait causer des blessures mineures ou modérées.

MISE EN GARDE : Utilisé sans le symbole d'alerte à la sécurité, indique une situation potentiellement dangereuse qui, si elle n'est pas évitée, peut résulter en des dommages à la propriété.

AVERTISSEMENT : Le produit renferme des produits chimiques, dont du plomb. Selon l'état de la Californie, ce produit chimique peut causer le cancer ainsi que des malformations congénitales, et il présente d'autres dangers au système reproductif humain. Se laver les mains après l'utilisation.

MISE EN GARDE : Porter un dispositif approprié de protection de l'ouïe lors de l'utilisation du produit. Dans certaines conditions et durées d'utilisation, le produit peut émettre un niveau de bruit provoquant la perte de l'ouïe.

AVERTISSEMENT : Afin de réduire les risques d'incendie, de secousses électriques ou de blessures lorsqu'on utilise des outils électriques, il faut toujours respecter les mesures de sécurité suivantes.

LIRE TOUTES LES DIRECTIVES.

MESURES DE SÉCURITÉ POUR TOUS LES OUTILS

MESURES DE SÉCURITÉ : DOUBLE ISOLATION

PIÈCES DE RECHANGE : Lors des travaux d'entretien, utiliser seulement des pièces de rechange Black & Decker identiques.

MESURES DE SÉCURITÉ : FICHE POLARISÉE

Le produit est muni d'une fiche polarisée (une lame plus large que l'autre) afin de minimiser les risques de secousses électriques. Le produit doit alors être utilisé avec un cordon de rallonge bifilaire ou trifilaire approprié. Ce genre de fiche n'entre que d'une façon dans une prise polarisée. S'assurer que la douille de la rallonge possède une fente plus large que l'autre. Lorsqu'on ne peut insérer la fiche à fond dans la rallonge, il faut tenter de le faire après

avoir inversé les lames de côté. Si la fiche n'entre toujours pas dans la rallonge, il faut se procurer une rallonge appropriée. Lorsqu'on ne peut insérer la fiche de la rallonge à fond dans la prise, il faut communiquer avec un électricien certifié pour qu'il installe une prise appropriée. Il ne faut pas modifier la fiche de l'outil ni la rallonge.

L'OUTIL PRÉSENTE DES RISQUES. Respecter tous les avertissements et mesures de sécurité du présent guide et ceux indiqués sur l'outil; l'utilisateur a la responsabilité de s'y conformer. Seules les personnes qui ont lu et compris ces avertissements et mesures de sécurité, et qui ont l'intention de s'y conformer peuvent se servir de l'outil de jardinage électrique.

- **TENIR COMPTE DU MILIEU DE TRAVAIL.** Ne pas utiliser l'outil dans un endroit mouillé ou humide. Ne pas se servir l'outil sous la pluie.
- **ÉLOIGNER LES ENFANTS.** Tous les visiteurs et les animaux domestiques doivent être tenus à l'écart de l'aire de travail.
- **RANGER LES OUTILS INUTILISÉS À L'INTÉRIEUR.** Il faut ranger les outils dans un endroit sec et sûr, hors de la portée des enfants.
- **NE JAMAIS FORCER L'OUTIL.** Afin d'obtenir un rendement efficace et avec moins de risques de blessures, utiliser l'outil à son rendement nominal.
- **UTILISER L'OUTIL APPROPRIÉ.** Se servir de l'outil selon l'usage prévu.
- **PORTER DES VÊTEMENTS APPROPRIÉS.** Éviter de porter des vêtements amples et des bijoux qui peuvent être happés par les pièces en mouvement. Porter des gants de caoutchouc, des pantalons et des chaussures robustes à semelle antidérapante pour travailler à l'extérieur. Ne pas se servir de l'outil pieds nus ou en sandales. Protéger la chevelure si elle est longue.
- **PORTER DES LUNETTES DE SÉCURITÉ ET AUTRE ÉQUIPEMENT DE SÉCURITÉ.** Porter des lunettes de protection ou de sécurité à écrans latéraux, conformément aux normes de sécurité appropriées, et, au besoin, un écran facial. Porter également un masque respiratoire si le travail de coupe produit de la poussière. La présente mesure vaut pour toute personne dans la zone de travail. Il faut également porter un casque, des protège-tympans, des gants et des chaussures de sécurité ainsi qu'utiliser des systèmes de dé poussierage lorsque spécifié ou exigé. Les lunettes de sécurité et autre matériel semblable sont vendus séparément chez les détaillants et dans les centres de service Black & Decker.
- **NE PAS MANIPULER LE CORDON DE FAÇON ABUSIVE.** Ne pas transporter l'outil par le cordon ni tirer sur ce dernier pour le débrancher de la prise. Éloigner le cordon des sources de chaleur, des flammes d'huile et des arêtes tranchantes.
- **NE PAS DÉPASSER SA PORTÉE.** Toujours demeurer dans une position stable et garder son équilibre.
- **PRENDRE SOIN DES OUTILS.** S'assurer que le rebord tranchant est propre afin d'optimiser le rendement de l'outil et de minimiser les risques de blessures. Suivre les directives concernant la lubrification et le remplacement des accessoires. Inspecter régulièrement le cordon de l'outil et le faire réparer au besoin à un atelier d'entretien autorisé. Inspecter régulièrement les cordons de rallonge et les remplacer lorsqu'ils sont endommagés. S'assurer que les poignées sont toujours propres, sèches et libres de toute tache d'huile ou de graisse.
- **DÉBRANCHER LES OUTILS NON UTILISÉS.** Respecter cette mesure lorsqu'on ne se sert pas de l'outil, ou qu'on doit le réparer ou en changer un accessoire.
- **ÉVITER LES DÉMARRAGES ACCIDENTELS.** Ne pas laisser le doigt sur l'interrupteur lorsqu'on transporte l'outil. S'assurer que l'interrupteur est à la position hors circuit lorsqu'on branche l'outil.
- **CORDONS DE RALLONGE.** S'assurer que le cordon de rallonge est en bon état. L'isolation du cordon doit être intacte, sans fissures ni usure. Les connecteurs de la fiche ne doivent pas être endommagés. Lorsqu'on se sert d'un cordon de rallonge, s'assurer qu'il est de calibre approprié pour la tension nécessaire au fonctionnement de l'outil. L'utilisation d'un cordon de calibre inférieur occasionne une baisse de tension entraînant une perte de puissance et la surchauffe; ce qui peut réduire la durée du moteur. Le tableau suivant indique le calibre approprié selon la longueur du cordon et les mentions de la plaque signalétique de l'outil. En cas de doute, utiliser un cordon de calibre supérieur. Le chiffre indiquant le calibre est inversement proportionnel au calibre du cordon.

Calibre minimal des cordons de rallonge					
Tension	Longueur totale du cordon en pieds				
120V	0-25	26-50	51-100	101-150	
	(0-7,6m)	(7,6-15,2m)	(15,2-30,4m)	(30,4-45,7m)	
240V	0-50	51-100	101-200	201-300	
	(0-15,2m)	(15,2-30,4m)	(30,4-60,9m)	(60,9-91,4m)	
Intensité (A)					
Au moins	Au plus	Calibre moyen des fils (AWG)			
0	- 6	18	16	16	14
6	- 10	18	16	14	12
10	- 12	16	16	14	12
12	- 16	14	12	Non recommandé	

- Le symbole indique que l'outil comporte une double isolation.

AVERTISSEMENT RELATIF À L'UTILISATION DE RALLONGES À L'EXTÉRIEUR : Afin de réduire les risques de secousses électriques, utiliser seulement un cordon de rallonge conçu pour l'extérieur et portant une des mentions suivantes : SW-A, SOW-A, STW-A, STOW-A, SJW-A, SJOW-A, SJTW-A ou SJTOW-A.

- **UN DISJONCTEUR DIFFÉRENTIEL** devrait être installé sur les prises ou les circuits utilisés pour alimenter les outils de jardinage. Il existe des prises pourvues de disjoncteurs différentiels intégrés qui peuvent servir à cet effet.
- **DEMEURER VIGILANT.** Travailler avec vigilance et faire preuve de bon sens. Ne pas se servir de l'outil lorsqu'on est fatigué ou après avoir ingéré des drogues ou de l'alcool.
- **VÉRIFIER LES PIÈCES ENDOMMAGÉES.** Avant d'utiliser de nouveau l'outil, bien vérifier un protecteur endommagé ou toute autre pièce défectueuse afin de déterminer si elle fonctionnera de façon appropriée et si elle remplira la fonction prévue. Vérifier l'alignement et les attaches des pièces mobiles, le degré d'usure des pièces et leur montage, ainsi que tout autre facteur susceptible de nuire au bon fonctionnement de l'outil. Faire réparer ou remplacer tout protecteur ou toute autre pièce endommagée dans un centre de service autorisé, sauf si le présent guide fait mention d'un avis contraire.
- **RÉPARATION ET ENTRETIEN.** Les réparations, l'entretien et les réglages non décrits dans le présent guide devraient être confiés au personnel d'un centre de service Black & Decker ou d'un atelier d'entretien autorisé n'utilisant que des pièces de rechange identiques.
- **ACCESSOIRES.** L'utilisation de tout accessoire non recommandé pour le produit peut être dangereuse.

Note : Pour obtenir de plus amples renseignements, consulter la rubrique «Accessoires» du présent guide.

MESURES DE SÉCURITÉ ADDITIONNELLES RELATIVES AUX COUPE-BORDURES

1. Laisser les protecteurs en place.
2. S'assurer que la zone autour de la lame est propre.

DANGER : Risque de blessures. Éloigner les mains et les pieds de la lame et de la zone de coupe.

AVERTISSEMENT IMPORTANT

La lame du coupe-bordure en service peut éjecter avec force des pierres, des pièces de métal ou d'autres objets. C'est pourquoi l'outil et le protecteur sont conçus de manière à limiter les risques de blessures. Il convient toutefois de prendre les précautions suivantes.

1. Porter des lunettes de sécurité, des gants, des pantalons et des chaussures robustes.
2. S'assurer qu'il n'y a pas d'animaux domestiques ni personne dans un rayon d'au moins 30 mètres (100 pieds).
3. Toujours se tenir à gauche de la poignée principale.
4. Avant de couper une bordure ou une rigole, vérifier s'il y a des fils électriques sous terre.
5. Afin de réduire les risques de blessures occasionnées par un rebond de l'outil, toujours travailler en s'éloignant des objets solides tels que murs, marches d'escalier, grosses roches et arbres. Faire preuve de vigilance lorsqu'on travaille à proximité de ces objets ou face au vent, au besoin, effectuer le travail à la main.

CONSERVER CES MESURES.

INSTRUCTIONS RELATIVES AU MONTAGE

AVANT D'ASSEMBLER LE COUPE-BORDURE, S'ASSURER QUE L'EMBALLAGE RENFERME TOUTES LES PIÈCES SUIVANTES.

VOIR LA FIGURE 1.

- A. Un coupe-bordure pour l'aménagement paysager, modèle LE750.
- B. Une lame Edge Hog avec un écrou, une rondelle conique et un jeu de cales (assemblés à l'outil).
- C. Un Boulons et boutons pour tube de poignée (assemblés aux tubes du châssis).
- D. Une poignée auxiliaire avec un boulon et un bouton.

ASSEMBLAGE DE LA POIGNÉE

ASSEMBLAGE DES TUBES DE LA POIGNÉE (FIG. 2 ET 3)

1. Retirer les boutons et les boulons à tête bombée des trous de montage du tube de la poignée.
2. Retirer le ruban qui fixe solidement le câble gainé interne aux tubes.
3. Coulisser le tube intermédiaire dans le tube supérieur et fixer ensemble les tubes de la poignée à l'aide du bouton et de la tête de boulon courbée. Il est possible que vous ayez à jouer délicatement avec le boulon pour le faire passer au-delà du câble gainé à l'intérieur du tube lors de la première insertion. Deux positions de réglage en hauteur sont offertes. Consulter la fig. 11 pour l'orientation de la poignée supérieure. Lors de l'assemblage des tubes, s'assurer que le câble se déplace librement à l'intérieur.
4. Pour enlever le jeu présent, tirer le câble gainé vers le bas, dans le tube inférieur. Faites glisser le tube du milieu dans le tube inférieur en alignant la rainure et la saillie. Fixer les tubes de la poignée ensemble avec l'autre bouton et la tête de boulon courbée. Il est possible que vous ayez à jouer délicatement avec le boulon pour le faire passer au-delà du fil gainé à l'intérieur du tube lors de la première insertion.

MISE EN GARDE : NE JAMAIS utiliser un objet pointu pour déplacer les fils.

INSTALLATION DE LA POIGNÉE AUXILIAIRE (FIG. 4)

1. Détacher le bouton du boulon de la poignée auxiliaire et faire jouer le boulon pour le sortir de la poignée.
2. Faire glisser la poignée auxiliaire sur la poignée principale. La poignée auxiliaire peut être installée à droite ou à gauche afin de rendre l'utilisation des plus confortables. La poignée auxiliaire NE peut PAS se régler vers l'avant ou l'arrière.
3. Insérer le boulon de nouveau dans le trou avec un creux hexagonal qui se trouve sur le côté de la poignée auxiliaire, fixer le bouton et bien serrer.

RÉGLAGE DE LA PROFONDEUR DE COUPE (FIG. 5)

La roue avant se règle afin de modifier la profondeur de coupe et de prolonger la durée de la lame. Faire ce qui suit pour modifier le réglage de la profondeur de coupe lorsqu'on retire l'outil de l'emballage.

1. Attendre l'immobilisation complète de la lame!
2. DÉBRANCHER L'OUTIL!
3. Desserrer le bouton de réglage de la profondeur.
4. Régler la hauteur de la roue en utilisant l'indicateur de profondeur qui se trouve sur le support de la roue et les mentions sur le boîtier avant.
Note : Une profondeur de 2,5 cm (1 po) est recommandée pour couper une bordure.
5. Bien resserrer le bouton.

Conseil : Lorsque l'herbe est haute, cela peut offrir une résistance au protecteur.

Réduire la profondeur de coupe au minimum afin de contrer cet effet.

GUIDE DE REBORD (FIG. 6 ET 7)

Le guide de rebord est pratique pour couper une ligne droite le long des trottoirs. Lorsqu'on veut effectuer des travaux d'aménagement paysager ou couper des rigoles dans la cour, le guide de rebord peut nuire lors de travaux dans de la terre battue ou des mottes de gazon. On peut régler le guide afin de pouvoir faire des RIGOLE ou des travaux d'AMÉNAGEMENT PAYSAGER.

DANGER : DÉBRANCHER L'OUTIL! Attendre l'immobilisation complète de la lame!

POUR MODIFIER LA POSITION DU GUIDE DE REBORD, FAIRE CE QUI SUIT.

1. Attendre l'immobilisation complète de la lame!
2. DÉBRANCHER L'OUTIL!
3. Tirer le bouton du guide de rebord de façon latérale (dans le sens de la petite flèche) afin de le dégager de la patte du protecteur (détail, fig. 6). Soulever le bouton jusqu'à ce que l'encoche carrée inférieure du levier s'aligne sur la patte du protecteur. Dans cette position, le guide est soulevé (fig. 7) de façon à pouvoir couper aisément le long de plates-bandes, d'arbustes ou d'arbres pour faire des rigoles ou couper des mottes de gazon.
4. Pour abaisser le guide, tirer le levier de façon latérale et l'abaisser jusqu'à ce que la patte du protecteur s'insère dans le trou supérieur du levier.

Conseil : Il peut être nécessaire d'incliner le coupe-bordure vers l'arrière afin d'abaisser le guide.

FIXATION DE LA RALLONGE AU COUPE-BORDURE (FIG. 8)

IMPORTANTES MESURES DE SÉCURITÉ : FICHE POLARISÉE

Afin de minimiser les risques de secousses électriques, le produit est muni d'une fiche polarisée (une lame plus large que l'autre). Ne pas modifier la fiche de l'outil ni le cordon de rallonge. **Lire les IMPORTANTES MESURES DE SÉCURITÉ au début du présent guide. Note** : Consulter les mesures de sécurité relatives au cordon de rallonge précitées.

1. Afin de prévenir le débranchement du cordon, fixer celui-ci de la manière illustrée.
2. Insérer la fiche dans la douille du cordon.
3. La poignée de l'interrupteur comporte un dispositif de retenue du cordon intégré minimisant les contraintes sur la rallonge. Pour s'en servir, il suffit de plier la rallonge de la façon illustrée, à environ 30 cm (1 pi) de son extrémité, et d'insérer la boucle au bout de la poignée. Fixer la boucle ainsi formée par la rallonge sur l'ergot. Tirer doucement sur la rallonge afin de s'assurer qu'elle est bien fixée dans la poignée du coupe-bordure.
4. Éloigner la rallonge de l'utilisateur, de l'outil et de tout autre obstacle en tout temps. Éloigner le cordon des sources de chaleur, des flaques d'huile, de l'eau ou d'arêtes tranchantes.

PROTECTEUR (FIG. 9 & 9A)

DANGER : DÉBRANCHER L'OUTIL! Attendre l'immobilisation complète de la lame!

Le protecteur s'ouvre en basculant pour nettoyer le logement de la lame ou pour permettre le remplacement de la lame. Pour l'ouvrir, faire tourner le bouton de dégagement du protecteur dans le sens horaire (en regardant le côté du protecteur) jusqu'à ce qu'il s'arrête (environ 90°) (fig. 9 détail). Tirer sur le bouton pour ouvrir la porte (fig. 9A). Lorsqu'on ferme le protecteur, faire tourner le bouton dans le sens horaire sur 90° (fig. 9 détail) et refermer complètement la porte en la poussant. Le bouton verrouille automatiquement la

porte. Lorsque le bouton ne retourne pas à la position verrouillée, pousser sur la porte jusqu'à ce que le bouton s'enclenche. **S'ASSURER QUE LE PROTECTEUR EST BIEN FERMÉ ET VERROUILLÉ AVANT D'UTILISER L'OUTIL.**

LAME (FIG. 10)

DANGER : DÉBRANCHER L'OUTIL! Attendre l'immobilisation complète de la lame!

Fixer la lame, les deux cales, l'écrou à tête hexagonale et la rondelle conique dans l'ordre illustré. Prière de vérifier l'installation de la lame avant d'utiliser l'outil. La lame du coupe-bordure comporte deux indicateurs d'usure afin de savoir quand remplacer la lame. Lorsque la lame est usée jusqu'au petit trou à chaque extrémité de celle-ci, elle procure une coupe d'une profondeur de 6 mm (1/4 po) et il faut la remplacer.

Conseil : Afin de prolonger la durée de la lame, régler la profondeur de coupe au minimum pour la première coupe et augmenter le réglage de la profondeur à mesure que la lame s'use.

FAIRE CE QUI SUIT POUR REMPLACER LA LAME.

DANGER : DÉBRANCHER L'OUTIL! Attendre l'immobilisation complète de la lame!

MISE EN GARDE : La lame continue de tourner pendant quelques instants après avoir relâché l'interrupteur.

1. Faire tourner le bouton et ouvrir la porte.
2. Desserrer l'écrou à tête hexagonale (9/16 po). Se servir d'une clé de 1 po contre la rondelle extérieure ou d'une pièce de bois de 2 po sur 4 po, au besoin, entre le protecteur et la lame pour empêcher cette dernière de bouger.

INSTALLATION DE LA NOUVELLE LAME

3. Installer la cale interne sur l'arbre; les « plats » du trou de la cale doivent s'insérer sur ceux de l'arbre.
4. Tout en retenant la cale en place, placer la lame sur l'arbre de la façon illustrée (fig. 10).
5. Retenir la lame contre la cale et installer la cale extérieure, toujours en alignant les « plats » de la cale sur ceux de l'arbre.
6. Installer l'écrou à tête hexagonale et la rondelle conique, puis les serrer à l'aide d'une clé (couple de 140 lb-po).
Note : Remplacer l'écrou à tête hexagonale et la rondelle conique seulement par des pièces de rechange identiques, voir la rubrique relative à l'entretien.
7. Fermer la porte; le bouton doit se trouver en position verrouillée.

INTERRUPTEUR

METTRE L'OUTIL EN MARCHÉ en appuyant sur l'interrupteur à détente. Celui-ci est conçu pour être tenu sans peine en position de marche. **POUR ARRÊTER L'OUTIL**, il suffit de relâcher l'interrupteur.

FONCTIONNEMENT

NOTE : Le coupe-bordure est un appareil électrique énergivore et il ne doit pas être utilisé simultanément avec d'autres appareils électriques énergivores sur le même circuit.

AVERTISSEMENT : S'assurer que les observateurs et les animaux domestiques se trouvent à au moins 30 m (100 pi) de l'outil.

1. Régler la profondeur de coupe à 2,5 cm (1 po) et abaisser le guide (consulter les instructions relative au montage).
2. Avant de mettre l'outil en marche, le placer de sorte que le guide de rebord repose contre le bord de la surface pavée (fig. 11). Les deux roues arrière doivent se trouver sur la surface pavée lorsqu'on coupe la bordure.
Conseil : Lorsque de l'herbe a poussé sur la surface pavée, cela peut offrir une résistance au protecteur. Il peut être nécessaire de couper une première fois avec le coupe-bordure sur la pelouse. Il faut alors soulever le guide de rebord et réduire la profondeur de coupe (consulter les rubriques relatives au guide de rebord et à la profondeur de coupe).
3. Afin d'éviter les risques de rebond, abaisser la poignée de sorte que la lame se trouve au-dessus du sol (fig. 12).
4. Mettre l'outil en marche et laisser la lame tourner sans bouger l'outil.
5. Soulever doucement la poignée afin d'abaisser la lame, de trouver le rebord de la surface pavée et de commencer la coupe. On peut ensuite déplacer l'outil lentement vers l'avant le long de la surface pavée en laissant le guide reposer légèrement contre le rebord du pavé.

Lors de la première coupe au début de la saison, il est préférable d'avancer lentement car c'est le moment où le gazon est le plus long. Par la suite, on pourra effectuer le travail plus rapidement. Lorsque le moteur ralentit, reculer de un pouce ou deux afin de permettre à la lame de reprendre sa vitesse normale. Lors de la coupe, il peut y avoir formation d'étincelles lorsque l'outil frappe des roches; il s'agit d'une situation normale. Ne pas utiliser l'outil lorsque le sol est humide ou mouillé afin d'éviter les risques de secousses électriques ainsi que l'obstruction du logement de la lame. Dans ce dernier cas, attendre l'immobilisation complète de la lame! DÉBRANCHER L'OUTIL! Ouvrir la porte et dégager l'obstruction à l'aide d'un bâton. Lorsqu'on continue de se servir d'un outil bloqué, on surcharge le moteur.

MISE EN GARDE : Ne pas tenter de nettoyer le logement de la lame en frappant l'outil contre le sol au risque de l'endommager. Éloigner les mains du guide et de la lame pendant les travaux de nettoyage car ces composantes deviennent tranchantes à l'usage.

AMÉNAGEMENT PAYSAGER/RIGOLES

AVERTISSEMENT : Avant d'effectuer des travaux d'aménagement paysager ou de couper des rigoles, s'assurer qu'il n'y a pas de fils, de tuyaux ou tout autre objet à découvert ni sous terre qui pourraient présenter des risques ou nuire au fonctionnement de l'outil. Régler à la profondeur de coupe nécessaire uniquement. Ne pas surcharger l'outil. Lorsque celui-ci ralentit, reculer légèrement et attendre que la lame tourne à son régime normal.

RANGEMENT

AVERTISSEMENT : S'assurer que l'outil est débranché.

Enlever tout débris du dessous du coupe-bordure et de l'intérieur du protecteur, puis nettoyer ces parties avant de ranger l'outil. Consulter la rubrique relative à l'entretien. Le cas échéant, le coupe-bordure peut être rangé en le suspendant par sa poignée (fig.13).

MISE EN GARDE : NE PAS SUSPENDRE L'OUTIL SUR L'INTERRUPTEUR À DÉTENTE NI SUR LE CORDON!

Note : Ne pas ranger l'outil sur des fertilisants ou des produits chimiques, ni près de ceux-ci au risque de causer la corrosion rapide de l'outil.

PRÉVENTION DE LA CORROSION

Des fertilisants et autres produits chimiques de jardinage renferment des agents qui peuvent grandement accélérer la corrosion des métaux. Lorsqu'on taille la bordure là où on a utilisé des fertilisants ou d'autres produits chimiques, il faut nettoyer l'outil comme suit immédiatement après s'en être servi. Nettoyer toutes les pièces à découvert à l'aide d'un chiffon humide. On peut lubrifier les pièces métalliques seulement à l'aide d'huile de pétrole léger. Lors du nettoyage, NE PAS immerger l'outil ni l'arroser à l'aide d'un boyau.

ENTRETIEN

Utiliser seulement du savon doux et un chiffon humide pour nettoyer l'outil. Ne laisser aucun liquide s'infiltrer dans l'outil et ne jamais immerger ce dernier.

IMPORTANT : Pour assurer la SÉCURITÉ D'EMPLOI et la FIABILITÉ de l'outil, n'en confier la réparation, les ajustements et la mise au point qu'à un centre de service ou à un atelier d'entretien autorisé n'utilisant que des pièces de rechange identiques. Inspecter et bien nettoyer l'outil au début de chaque saison de coupe afin d'en prolonger la durée et d'en optimiser le rendement.

DÉPANNAGE

Problème

- L'appareil refuse de démarrer.

Cause possible

- Cordon d'alimentation non branché.
- Le fusible du circuit est grillé.

Solution possible

- Brancher l'outil dans une prise qui fonctionne.
- Remplacer le fusible du circuit. (Si le produit fait griller de façon répétée le fusible du circuit, arrêter immédiatement d'utiliser le produit et le faire réparer dans un centre de réparation Black & Decker ou un centre de réparation autorisé.)
- Remettre le disjoncteur à zéro. (Si le produit fait déclencher de façon répétée le disjoncteur, arrêter immédiatement d'utiliser le produit et le faire réparer dans un centre de réparation Black & Decker ou un centre de réparation autorisé.)
- Faire remplacer le cordon ou l'interrupteur au centre de réparation Black & Decker ou à un centre de réparation autorisé.

- Le disjoncteur est déclenché.

- Le cordon d'alimentation ou la prise de courant est endommagé(e).

Pour obtenir de l'aide avec l'outil, consulter notre site Web www.blackanddecker.com pour l'emplacement du centre de réparation le plus près ou communiquer avec l'assistance **BLACK & DECKER** au **1-800-544-6986**.

ACCESSOIRES

On peut se procurer les accessoires recommandés pour l'outil chez les détaillants ou au centre de service de la région. Pour trouver un accessoire, composer le numéro suivant : **1 (800) 544-6986**.

RENSEIGNEMENTS RELATIFS AU SERVICE

Black & Decker exploite un réseau complet de centres de service et d'ateliers d'entretien autorisés par toute l'Amérique du Nord. Le personnel de tous les centres de service Black & Decker a reçu la formation voulue pour assurer l'entretien efficace et fiable des outils électriques.

Pour obtenir des renseignements d'ordre technique, des conseils relatifs aux réparations ou des pièces de rechange d'origine, communiquer avec le centre de service Black & Decker de la région.

On peut trouver l'adresse du centre de service de la région dans l'annuaire des Pages Jaunes à la rubrique «Outils électriques» ou en composant le numéro suivant : **1 (800) 544-6986**.

GARANTIE COMPLÈTE DE DEUX ANS POUR UTILISATION DOMESTIQUE

Black & Decker garantit le produit pour une période de deux ans contre tout vice de matière ou de fabrication. Le produit défectueux sera réparé ou remplacé sans frais en vertu de l'alternative suivante.

Le premier choix ne donne droit qu'à un échange; il s'agit de retourner le produit chez le détaillant d'où il provient (si celui-ci participe au programme d'échange). Il faut alors retourner le produit dans le délai imparti par le détaillant (habituellement, entre 30 et 90 jours de la date d'achat). Le détaillant peut exiger une preuve d'achat. Prière de vérifier avec le détaillant quant à sa politique relative aux retours au-delà des délais accordés pour l'échange.

Le second choix consiste à retourner le produit (port payé) à un centre de service Black & Decker où il sera réparé ou remplacé, à notre gré. Une preuve d'achat peut être exigée. Les coordonnées des centres de service Black & Decker se trouvent à la rubrique «Outils électriques» des Pages jaunes.

La présente garantie ne couvre pas les accessoires. Les modalités de la présente garantie donnent des droits légaux spécifiques. L'utilisateur peut se prévaloir d'autres droits selon l'état ou la province qu'il habite. Pour obtenir de plus amples renseignements, communiquer avec le directeur du centre de service Black & Decker de la région.

Le produit n'est pas conçu pour une utilisation commerciale.

REMPLACEMENT GRATUIT DES ÉTIQUETTES D'AVERTISSEMENT : si les étiquettes d'avertissement deviennent illisibles ou sont manquantes, composer le **1-800-544-6986** pour en obtenir le remplacement gratuit.

Importé par
Black & Decker Canada Inc.
100 Central Ave.
Brockville (Ontario) K6V 5W6

Voir la rubrique "Outils électriques"
des Pages jaunes
pour le service et les ventes.



MANUAL DE INSTRUCCIONES

ORILLADORA ZANJADORA 2 EN 1

ANTES DE DEVOLVER ESTE PRODUCTO POR
CUALQUIER RAZÓN, POR FAVOR LLAME AL
(55)5326-7100

INFORMACION CLAVE QUE DEBE SABER

- Su orilladora está diseñada para expulsar recortes y desperdicios hacia adelante, lejos del operador.
- Revise y limpie su orilladora a conciencia al comienzo de cada temporada de orillado.

- La cuchilla de esta herramienta no está diseñada para tener filo. No afile de ninguna manera.

- Asegúrese de que el área de orillado (30 m) esté libre de otras personas y de mascotas antes de iniciar la operación.

CONSERVE ESTE MANUAL PARA REFERENCIAS FUTURAS

⚠ ADVERTENCIA: ADVERTENCIAS E INSTRUCCIONES IMPORTANTES DE SEGURIDAD

⚠ ADVERTENCIA: Cuando utilice aparatos eléctricos de jardinería, debe seguir ciertas precauciones básicas de seguridad para evitar riesgos de incendio, choque eléctrico y lesiones personales, entre las que se encuentran las siguientes.

⚠ ADVERTENCIA: Parte del polvo originado por este producto contiene químicos que en el Estado de California se consideran como causantes de cáncer, defectos congénitos u otros daños reproductivos. Algunos ejemplos de estos químicos son:

- compuestos en fertilizantes
- compuestos en insecticidas, herbicidas y pesticidas
- arsénico y cromo de madera tratada químicamente

Para reducir su exposición a estos químicos, utilice equipo de seguridad aprobado como máscaras contra polvo diseñadas específicamente para filtrar partículas microscópicas.

⚠ ADVERTENCIA: Este producto contiene químicos, incluyendo plomo, que en el Estado de California se consideran como causantes de cáncer y defectos congénitos u otros daños reproductivos. Lave sus manos después de manejarlo.

⚠ PRECAUCION: Emplee la protección personal y auditiva adecuada durante el uso de este producto. Bajo ciertas condiciones y duración de uso, el ruido producido por este producto puede contribuir a la pérdida auditiva.

LEA TODAS LAS INSTRUCCIONES

PARA REDUCIR EL RIESGO DE LESIONES:

- Antes de cada uso, asegúrese de que toda persona que utilice esta herramienta lea y comprenda todas las instrucciones de seguridad y demás información contenida en este manual.
- Conserve estas instrucciones y repáselas con frecuencia antes de usar la herramienta y de instruir a terceros.

PAUTAS DE SEGURIDAD/DEFINICIONES

Es importante que lea y comprenda este manual. La información que contiene se relaciona con la protección de SU SEGURIDAD y la PREVENCIÓN DE PROBLEMAS. Los símbolos que siguen se utilizan para ayudarlo a reconocer esta información.

⚠ PELIGRO: indica una situación de peligro inminente que, si no se evita, provocará la muerte o lesiones graves.

⚠ ADVERTENCIA: indica una situación de peligro potencial que, si no se evita, provocará la muerte o lesiones graves.

⚠ PRECAUCIÓN: indica una situación de peligro potencial que, si no se evita, provocará lesiones leves o moderadas.

PRECAUCIÓN: utilizado sin el símbolo de alerta de seguridad indica una situación de peligro potencial que, si no se evita, puede provocar daños en la propiedad.

⚠ ADVERTENCIA: Este producto contiene químicos, incluyendo plomo, que en el Estado de California se consideran como causantes de cáncer y defectos congénitos u otros daños reproductivos. Lave sus manos después de manejarlo.

⚠ PRECAUCIÓN: Emplee la protección personal y auditiva adecuada durante el uso de este producto. Bajo ciertas condiciones y duración de uso, el ruido producido por este producto puede contribuir a la pérdida auditiva.

⚠ ADVERTENCIA: Siempre que utilice herramientas eléctricas de jardina debe seguir ciertas precauciones básicas de seguridad, a fin de reducir los riesgos de incendio, choque eléctrico y lesiones personales, entre las que se encuentran las siguientes.

LEA TODAS LAS INSTRUCCIONES

PARA REDUCIR EL RIESGO DE LESIONES:

- Antes de cada uso, asegúrese de que toda persona que utilice esta herramienta lea y comprenda todas las instrucciones de seguridad y demás información contenida en este manual.
- Conserve estas instrucciones y repáselas con frecuencia antes de usar la herramienta y de instruir a terceros.

⚠ ADVERTENCIAS E INSTRUCCIONES DE SEGURIDAD PARA TODAS LAS HERRAMIENTAS

⚠ ADVERTENCIAS E INSTRUCCIONES DE SEGURIDAD: DOBLE AISLAMIENTO

PARTES DE REPUESTO: Cuando efectúe servicio utilice únicamente refacciones Black & Decker idénticas.

⚠ ADVERTENCIAS E INSTRUCCIONES DE SEGURIDAD: CLAVIJAS POLARIZADAS

Este equipo cuenta con una clavija polarizada (con una pata más ancha que la otra) para reducir el riesgo de choque eléctrico. Este equipo debe usarse con una extensión polarizada adecuada de 2 o 3 conductores. Las conexiones polarizadas se acoplarán de una sola manera. Asegúrese de que el lado del receptáculo de la extensión tenga una ranura pequeña y otra grande. Si la clavija no se ajusta completamente a la extensión, inviértala. Si aún así no

ajusta, consiga una extensión adecuada. Si la extensión no se acopla perfectamente a la toma de corriente, comuníquese con un electricista calificado para que le instale la toma de corriente adecuada. Por ningún motivo modifique la clavija del aparato o de la extensión en ninguna manera.

- ESTA HERRAMIENTA PUEDE SER PELIGROSA.** Siga todas las advertencias e instrucciones de seguridad de este manual. El operador es responsable de seguir las advertencias e instrucciones de este manual y de la unidad. Restrinja el uso de esta herramienta a personas que lean, comprendan y sigan las advertencias e instrucciones contenidas en este manual y en la unidad.
- EVITE AMBIENTES PELIGROSOS.** No utilice aparatos eléctricos en lugares inundados o mojados. No utilice aparatos eléctricos bajo la lluvia.
- MANTENGA A LOS NIÑOS ALEJADOS.** Todas las demás personas y las mascotas deberán permanecer a distancia de la zona de trabajo.
- GUARDE BAJO TECHO LOS APARATOS QUE NO EMPLEE.** Los aparatos eléctricos deben guardarse bajo techo, en un lugar seco y seguro, fuera del alcance de los niños.
- NO FUERCE EL APARATO.** Este hará su trabajo mejor y de manera más segura bajo las especificaciones para las que se diseñó.
- UTILICE EL APARATO CORRECTO.** No utilice el aparato para ningún trabajo que no sea para el que se diseñó.
- VISTASE DE MANERA ADECUADA.** No vista prendas flojas ni artículos de joyería. Pueden quedar atrapados en las piezas móviles. Se recomienda el uso guantes de goma, pantalones largos y calzado grueso, antiderrapante para trabajar a la intemperie. No utilice sandalias ni ande descalzo. Cúbrase el cabello si lo tiene largo.
- UTILICE ANTEOJOS Y DEMAS EQUIPO DE SEGURIDAD.** Utilice gafas o anteojos de seguridad con cubiertas laterales, que cumplan con los estándares de seguridad aplicables y, en caso necesario, un protector facial. También utilice mascarilla si la operación que efectúa produce polvo. Esto se aplica a todas las personas en el área de trabajo. Utilice también casco, protección auditiva, guantes, calzado de seguridad y sistemas de recolección de polvo cuando así se especifique o requiera. Las gafas de seguridad y similares se venden con en el centro de servicio Black & Decker de su localidad.
- NO MALTRATE EL CABLE.** Nunca acarree un aparato tomándolo por el cable, ni tire de éste para desconectarlo de la toma de corriente. Conserve el cable alejado de calor, aceite y bordes afilados.
- NO SE SOBREEXTIENDA.** Conserve bien apoyados los pies para no perder el equilibrio.
- CUIDE SU APARATO.** Conserve limpio el borde cortante para obtener mejor rendimiento y reducir el riesgo de lesiones. Siga las instrucciones de lubricación y cambio de accesorios. Revise el cable del aparato periódicamente y, si está dañado, hágalo reparar inmediatamente en un centro de servicio autorizado. Revise las extensiones periódicamente y cámbielas cuando se dañen. Conserve los mangos secos, limpios y libres de aceite y grasa.
- DESCONECTE LOS APARATOS.** Desconecte el aparato de la toma de corriente cuando no lo use, antes de darle servicio, y cuando cambie accesorios como cuchillas y elementos similares.
- EVITE EL ENCENDIDO ACCIDENTAL.** No transporte un aparato conectado con el dedo en el interruptor. Asegúrese de que el interruptor esté en posición de apagado antes de conectar el aparato.
- CABLES DE EXTENSION.** Asegúrese de que su extensión esté en buenas condiciones. El aislamiento del cable deberá estar intacto sin cuarteaduras o muestras de deterioro. Las clavijas no deben tener daños. Cuando utilice una extensión, asegúrese de utilizar una con el calibre necesario para soportar la corriente necesaria para su producto. Una extensión con calibre menor al necesario causará una caída en el voltaje de la línea que resultará en pérdida de potencia y sobrecalentamiento.

La tabla muestra el calibre correcto para usarse de acuerdo con la longitud del cable y el amperaje señalado en la placa de identificación del producto. Si tiene dudas, utilice el calibre siguiente. Mientras menor sea el número del calibre, mayor será su capacidad.

Volts	Calibre mínimo para cables de extensión				
	Longitud total del cable en pies				
120V	0-25	26-50	51-100	101-150	
	(0-7,6m)	(7,6-15,2m)	(15,2-30,4m)	(30,4-45,7m)	
240V	0-50	51-100	101-200	201-300	
	(0-15,2m)	(15,2-30,4m)	(30,4-60,9m)	(60,9-91,4m)	
Amperaje		American Wire Gage			
Más de	No más de				
0	- 6	18	16	16	14
6	- 10	18	16	14	12
10	- 12	16	16	14	12
12	- 16	14	12	No se recomienda	

- indica que la orilladora cuenta con “**DOBLE AISLAMIENTO**”.

- **PARA USO DE CABLES DE EXTENSION PARA LA INTEMPERIE ⚠ ADVERTENCIA:** Para reducir el riesgo de choque eléctrico, utilice únicamente extensiones para uso a la intemperie, como las del tipo SW-A, SOW-A, STW-A, STOW-A, SJW-A, SJOW-A, SJTW-A, o SJTOW-A.
- **INTERRUPTOR DE CIRCUITO PARA FALLAS EN TIERRA (GFCI).** Los circuitos y las tomas de corriente que se utilicen con el aparato de jardinería deben contar con un dispositivo de este tipo. Existen tomas de corriente con protección GFCI integrada y se pueden utilizar para cumplir con esta medida de protección.
- **ESTE ALERTA.** Concéntrese en lo que hace. Use el sentido común. No opere aparatos cuando esté cansado, enfermo o bajo la influencia de drogas o alcohol.
- **REVISE LAS PARTES DAÑADAS.** Antes de seguir utilizando el aparato, una guarda u otra parte que estén dañadas deben revisarse cuidadosamente para determinar si funcionarán apropiadamente y cumplirán con su función. Revise la alineación de las piezas móviles, sus montajes, ruptura de las partes y cualesquiera otras condiciones que pudiesen afectar su operación. Una guarda o cualquier otra parte que esté dañada debe repararse de manera apropiada o reemplazada en un centro de servicio autorizado a menos que se indique lo contrario en este manual.
- **REPARACIONES Y SERVICIO.** Las reparaciones, el mantenimiento y cualquier otro ajuste no especificado en este manual deberán efectuarse en los centros de servicio autorizado Black & Decker u otras organizaciones de servicio calificado, que utilicen siempre refacciones idénticas.
- **USO DE ACCESORIOS Y DISPOSITIVOS.** El uso de cualquier accesorio o dispositivo no recomendado para emplearse con este aparato puede ser peligroso. Nota: consulte la sección de accesorios de este manual para obtener más detalles.

⚠ ADVERTENCIAS ADICIONALES PARA ORILLADORAS

1. Conserve las guardas en su sitio.
2. Conserve limpia el área de la cuchilla.

PELIGRO: Riesgo de lesión. Conserve manos y pies lejos de la cuchilla y del área de corte.

ADVERTENCIA IMPORTANTE

Cuando emplee la orilladora, pueden salir despedidos piedras, trozos de metal y otros objetos a gran velocidad por la cuchilla. La herramienta y la guarda están diseñadas para reducir el peligro. Sin embargo, debe tomar en cuenta las siguientes precauciones:

1. Utilice gafas de seguridad u otra protección en los ojos, guantes, pantalones largos y calzado protector.
2. Asegúrese de que otras personas y mascotas estén alejadas por lo menos 30 metros.
3. Párese siempre del lado izquierdo del mango principal.
4. Antes de zanjar o recortar, revise en busca de cables eléctricos enterrados.
5. Para reducir el riesgo de lesiones por proyectiles, trabaje lejos de cualquier objeto sólido como muros, escalones, rocas grandes, árboles, etc. Tenga mucho cuidado cuando trabaje cerca de objetos sólidos o contra el viento y, en caso necesario, recorte a mano.

CONSERVE ESTAS INSTRUCCIONES

INSTRUCCIONES DE ENSAMBLAJE

ANTES DE ENSAMBLAR SU ORILLADORA, VERIFIQUE HABER RECIBIDO EL SIGUIENTE MATERIAL EN LA CAJA. OBSERVE LA FIGURA 1.

- A. Orilladora LE750
- B. Cuchilla Edge Hog con sistema de tuerca y roldana cónica y separador (ensamblado a la unidad).
- C. Tubo conectando tornillos y perillas (ensamblado a los tubos)
- D. Mango auxiliar, con tornillo y perilla

ENSAMBLAJE DEL MANGO

ENSAMBLAJE DE LOS TUBOS DEL MANGO (FIGURAS 2 Y 3)

1. Retire las perillas y los tornillos de cabeza curva de los orificios de montaje del tubo del mango.
2. Quite la cinta que sujeta el cable interno con cubierta a los tubos.
3. Deslice el tubo medio dentro del tubo superior y sujete los dos tubos del mango juntos con la perilla y el perno de cabeza curva. Tenga en cuenta que la primera vez que introduzca el perno deberá moverlo gradual y cuidadosamente hasta que pase el cable con cubierta dentro del tubo. Existen dos posiciones de ajuste de altura disponibles, de modo que pueda elegir el que desea. Vea la figura 11 para conocer la orientación del mango superior. Asegúrese de que el cable se introduzca suavemente dentro de los tubos del mango mientras realiza el montaje.
4. Para retirar el exceso de cable, empújelo hacia abajo de manera que ingrese en el tubo inferior. Deslice el tubo medio dentro del tubo inferior por la ranura hasta el tope. Con la perilla y el perno de cabeza curva restantes, sujete los tubos del mango juntos. Tenga en cuenta que la primera vez que introduzca el perno deberá moverlo gradual y cuidadosamente hasta que pase el cable con cubierta dentro del tubo.

⚠ **PRECAUCION:** NUNCA utilice un objeto afilado para mover los cables recubiertos.

POSICIÓN DEL MANGO AUXILIAR (FIGURA 4)

1. Retire la perilla del tornillo del mango auxiliar y empuje/tire del tornillo hacia fuera del mango.
2. Deslice el mango auxiliar dentro del mango principal. El mango auxiliar puede colocarse para usarlo a izquierda o derecha, lo que sea más cómodo. El mango auxiliar NO puede ajustarse hacia adelante o hacia atrás.
3. Inserte el tornillo de nuevo en el orificio del mango auxiliar por el lado de la cavidad hexagonal. Coloque la perilla y apriete con firmeza.

AJUSTE DE PROFUNDIDAD DE CORTE (FIGURA 5)

La rueda delantera puede ajustarse para permitir un corte más o menos profundo, para aumentar la duración de la cuchilla. Cambie la profundidad de corte de la posición en que viene a la altura que desee:

1. ¡Espere a que la cuchilla se detenga por completo!
2. ¡DESCONECTE LA HERRAMIENTA!
3. Afloje la perilla de profundidad de corte.
4. Ajuste la profundidad de la rueda, utilizando el indicador de profundidad del soporte de la rueda y la marca de la carcasa frontal.

NOTA: Se recomienda una profundidad de 25 mm (1") para orillar.

5. Apriete la perilla con firmeza.

Recomendación: Las hierbas gruesas pueden atascarse en la guarda. Reduzca la profundidad de corte al mínimo para ayudarse a reducir este efecto.

GUÍA PARA BORDES PLEGABLE (FIGURAS 6 Y 7)

La guía para bordes es útil para cortar en línea recta a lo largo de las aceras. Para zanjar, la guía puede interferir con el movimiento de la orilladora en suelo duro o tierra herbosa. La guía para bordes puede ajustarse de manera que la herramienta desempeñe funciones de ZANJADO.

⚠ **PELIGRO: ¡DESCONECTE LA HERRAMIENTA! ¡Espere a que la cuchilla se detenga por completo!**

PARA CAMBIAR LA POSICIÓN DE LA GUÍA PARA BORDES:

1. ¡Espere a que la cuchilla se detenga por completo!
2. ¡DESCONECTE LA HERRAMIENTA!
3. Tire de la perilla de la guía para bordes hacia los lados para desasegurarla de la lengüeta de la guarda, observe el detalle de la figura 6, en dirección de la flecha. Levante la perilla hasta que la muesca cuadrada inferior de la palanca quede alineada con la lengüeta de la guarda. En esta posición la guía para bordes queda levantada (figura 7) de manera que la herramienta pueda cortar con facilidad a lo largo de las orillas de camas de flores y plantas, y alrededor de árboles en preparación para hacer una zanja o retirar el suelo herboso.
4. Para devolver la guía para bordes a la posición baja, tire de la palanca hacia los lados y empuje hacia abajo hasta que la lengüeta de la guarda quede en el orificio de la palanca superior.

Recomendación: Puede requerirse inclinar la orilladora hacia atrás para permitir bajar la guía para bordes.

INSTALACIÓN DE LA EXTENSIÓN EN LA ORILLADORA (FIGURA 8)

INSTRUCCIONES IMPORTANTES DE SEGURIDAD: CLAVIJAS POLARIZADAS

Este equipo cuenta con una clavija polarizada (con una pata más ancha que la otra) para reducir el riesgo de choque eléctrico. Por ningún motivo modifique la clavija del aparato o de la extensión en ninguna manera. Lea las **INSTRUCCIONES IMPORTANTES DE SEGURIDAD al principio del manual. Nota: Revise las instrucciones de seguridad para el cable de extensión proporcionadas anteriormente.**

1. Para evitar la desconexión del cable de la orilladora, asegure la extensión atando la clavija como se muestra.
2. Inserte la clavija en la toma.
3. El mango del interruptor cuenta con un retén para el cable de extensión integrado para reducir la tensión en el cable de alimentación. Para utilizar este dispositivo, simplemente doble el cable de extensión como se muestra, aproximadamente 30 cm del extremo, e insértelo en el extremo del mango. Enganche el rizo formado al doblar el cable en la lengüeta. Tire suavemente del cable para asegurarse de que esté retenido con firmeza en el mango.
4. Conserve siempre el cable de extensión alejado del operador, la unidad y cualquier obstáculo. No exponga el cable a calor, agua o bordes afilados.

GUARDA DE LA CUCHILLA (FIGURAS 9 Y 9A)

⚠ **PELIGRO: ¡DESCONECTE LA HERRAMIENTA! ¡Espere a que la cuchilla se detenga por completo!**

La guarda se levanta para limpiar el interior de la carcasa de la cuchilla o para cambiar de cuchillas. Para abrir la guarda gire la perilla de liberación en el sentido de las manecillas del reloj (viendo la herramienta por el lado de la guarda) hasta que se detenga (aproximadamente 90 grados) detalle Fig. 9; tire de la perilla para abrir la puerta. (Fig. 9A) Cuando cierre la guarda gire la perilla en el sentido de las manecillas del reloj y empuje la puerta para que cierre completamente. La perilla deberá cerrar la puerta automáticamente. Si la perilla no se regresa a la posición de cierre presione la puerta hasta que la perilla se enganche. ASEGURESE DE QUE LA GUARDA ESTE CORRECTAMENTE CERRADA Y LA PERILLA ESTE ASEGURANDOLA ANTES DE OPERAR LA ORILLADORA.

CUCHILLA (FIGURA 10)

⚠ **PELIGRO: ¡DESCONECTE LA HERRAMIENTA! ¡Espere a que la cuchilla se detenga por completo!**

La cuchilla, dos separadores y una tuerca con roldana cónica deben instalarse en su orilladora en el orden que se muestra.

Por favor revise que la cuchilla se monte apropiadamente antes de usar su orilladora. La cuchilla Edge Hog viene con dos indicadores de desgaste para ayudarlo a saber cuando reemplazarla. Cuando la cuchilla se desgaste hasta el pequeño orificio que se encuentra en cada extremo, le proporcionará una profundidad de corte de 1/4" (6 mm) y deberá reemplazarla.

Recomendación: Para aumentar la duración de la cuchilla, conserve la profundidad de corte inicial al mínimo y aumentela al desgastarse la cuchilla.

PARA RETIRAR LA CUCHILLA PARA CAMBIARLA:

⚠ **PELIGRO: ¡DESCONECTE LA HERRAMIENTA! ¡Espere a que la cuchilla se detenga por completo!**

⚠ **PRECAUCION:** La cuchilla gira momentáneamente después de liberar el interruptor.

1. Gire la perilla y abra la puerta.
2. Afloje la tuerca hexagonal de 9/16" (14.3 mm). Utilice una llave de 1" (25mm) en el separador exterior o un bloque de madera de 5 x 10 cm entre la cuchilla y la guarda en caso necesario para evitar que gire.

PARA INSTALAR UNA CUCHILLA NUEVA:

3. Coloque el separador interior en la flecha— los “planos” del orificio del separador deben empataarse con los “planos” de la flecha.
 4. Sujete el separador en su sitio, coloque la cuchilla en la flecha, como se ilustra. (Fig. 10)
 5. Sujete la cuchilla contra el separador e instale el separador externo, de nuevo alineando los planos del separador con los de la flecha.
 6. Instale la tuerca y la roldana cónica y apriete con una llave (140 libras-pulgadas)
- Nota:** Reemplace la tuerca hexagonal y la roldana cónica únicamente con repuestos idénticos, consulte la información de servicio.
7. Cierre la puerta; la perilla debe estar en posición de cierre.

INTERRUPTOR

Para ENCENDER la herramienta oprima el gatillo interruptor. El gatillo está diseñado para que sea muy fácil sujetarlo en posición de encendido. Para APAGAR la herramienta, suelte el gatillo.

INSTRUCCIONES DE OPERACION

NOTA: Su orilladora es un aparato mayor y no debe operarse simultáneamente con otros aparatos mayores en el mismo circuito doméstico.

⚠ **ADVERTENCIA:** Asegúrese de que otras personas y mascotas estén alejadas por lo menos a 30 metros.

1. Fije la profundidad de corte a 25 mm (1") y ajuste la guía de orillado en la posición baja, consulte las instrucciones de ensamblaje.
2. Antes de encender la orilladora, coloque la herramienta de manera que la guía para bordes descansa contra la orilla de la superficie pavimentada (figura 11). Ambas ruedas traseras deben quedar sobre la superficie pavimentada al orillar.

Recomendación: Las hierbas gruesas pueden atascarse en la guarda. Reduzca la profundidad de corte al mínimo para ayudar a reducir este efecto. Puede requerirse un corte inicial con la orilladora por el lado del pasto. Esto requerirá que levante la guía para bordes y puede que también requiera reducir la profundidad de corte (consulte las instrucciones de la guía para bordes y de ajuste de profundidad).

3. Para evitar un contragolpe por parte de la orilladora, incline el mango hacia abajo de manera que la cuchilla quede sobre la tierra (figura 12).
4. ENCIENDA el interruptor y permita que la cuchilla gire sin mover la herramienta.
5. Levante lentamente el mango para bajar la cuchilla, encontrando la orilla de la superficie pavimentada y comience a orillar. Mueva a continuación la herramienta lentamente hacia adelante a lo largo de la superficie pavimentada, conservando la guía para bordes presionando ligeramente contra la orilla del pavimento.

Para el primer orillado de cada temporada, es mejor moverse hacia adelante lentamente debido a que el pasto es más grueso entonces. Los orillados subsecuentes se completarán más rápidamente. Si la herramienta funciona más lento, regrese una o dos pulgadas hasta que la cuchilla alcance la velocidad normal.

Durante el orillado se pueden generar algunas chispas cuando la cuchilla golpea algunas piedras. Esto es normal. No intente orillar cuando el pasto o el suelo estén húmedos o mojados—por seguridad eléctrica y para evitar que la cámara de la cuchilla se bloquee. Si debe trabajar en condiciones que ocasionen que la cámara de la cuchilla se bloquee, DESCONECTE la herramienta y retire el material atascado con una vara. Continuar operando la herramienta con la cámara bloqueada sobrecargará seriamente el motor.

⚠ **PRECAUCION:** No intente destapar la cámara de la cuchilla dejando caer o golpeando la herramienta en el suelo. Esto puede dañar la unidad. Conserve sus manos fuera de la zona de la guía de bordes y la cuchilla cuando limpie, ya que estas partes se desgastan a un punto muy afilado con el orillado.

RECORTE/ZANJADO

⚠ **ADVERTENCIA:** Antes de recortar o zanjar, inspeccione y asegúrese de que no haya cables expuestos o enterrados, tuberías u otros objetos que puedan crear peligro o interfieran con la operación de la orilladora. Ajuste la profundidad para lo que requiera el trabajo. No seobrecarque el aparato. Si baja la velocidad, tire de éste hacia atrás ligerametne y espere a que la cuchilla alcance la velocidad normal.

GUARDADO

⚠ **ADVERTENCIA:** Asegúrese de que la herramienta esté desconectada.

Retire y limpie cualquier desecho del exterior de la orilladora y del interior de la guarda antes de guardarla. Consulte la sección de MANTENIMIENTO. En caso necesario, la orilladora debe guardarse colgando el mango de una gancho. Observe la figura 13.

⚠ **PRECAUCION: ¡NO CUELQUE LA ORILLADORA DEL INTERRUPTOR NI DEL CABLE DE ALIMENTACION!**

Nota: No guarde la herramienta cerca de fertilizantes y otros productos químicos, ya que hacerlo ocasionará una rápida corrosión.

EVITE LA CORROSIÓN

Los fertilizantes y otros productos químicos de jardinería contienen agentes que aceleran la corrosión de los metales. Si usted utiliza la herramienta en áreas en donde se han usado fertilizantes o productos químicos, la herramienta deberá limpiarse inmediatamente después. Limpie todas las partes expuestas con un trapo húmedo.

Cuando limpie, NO sumerja la herramienta en agua ni la rocíe con una manguera.

MANTENIMIENTO

Utilice únicamente jabón suave y un trapo húmedo para limpiar la herramienta. No permita nunca que lleguen líquidos al interior de la herramienta, ni sumerja ninguna parte en ningún líquido.

IMPORTANTE: Para garantizar la SEGURIDAD y la CONFIABILIDAD del producto, las reparaciones, el mantenimiento y los ajustes deben ser realizados por centros de servicio autorizados u otras organizaciones de servicio calificadas, que siempre utilicen partes de repuesto idénticas. Inspecciones y limpie a conciencia su orilladora al principio de cada temporada de orillado para obtener mayor durabilidad y mejor rendimiento.

Problema	DETECCIÓN DE PROBLEMAS	Solución posible
• La unidad no enciende.	Causa posible <ul style="list-style-type: none">• Cable desenchufado.• Fusible quemado.• El interruptor automático está activado.• Interruptor o cable dañado.	Solución posible <ul style="list-style-type: none">• Enchufe el cargador en un tomacorriente que funcione.• Reemplace el fusible quemado. (Si repetidamente el producto hace que el fusible del circuito se quemé, deje de utilizarlo inmediatamente y haga que le realicen mantenimiento en un centro de mantenimiento Black & Decker o en un centro de servicio autorizado.)• Reinicie el interruptor automático. (Si repetidamente el producto hace que el fusible del circuito se quemé, deje de utilizarlo inmediatamente y haga que le realicen mantenimiento en un centro de mantenimiento Black & Decker o en un centro de servicio autorizado.)• Haga reparar el cable o el interruptor en un centro de mantenimiento Black & Decker o en un centro de mantenimiento autorizado.

Para conocer la ubicación del centro de mantenimiento más cercano a fin de recibir ayuda con su producto, visite nuestro sitio Web www.blackanddecker.com o llame a la línea de ayuda BLACK & DECKER al **55-5326-7100**

ACCESORIOS:

Los accesorios recomendados para emplearse con su herramienta están a su disposición con el distribuidor o centro de servicio de su localidad. Si necesita ayuda en relación con los accesorios, llame por favor: **(55) 5326-7100**.

⚠ ADVERTENCIA: El uso de cualquier accesorio no recomendado para emplearse con esta herramienta puede ser peligroso.

INFORMACIÓN DE SERVICIO

Black & Decker ofrece una red completa de centros de servicio propiedad de la compañía y franquiciados a través de toda Norteamérica. Todos los centros de servicio Black & Decker cuentan con personal capacitado para proporcionar el servicio a herramientas más eficiente y confiable.

Siempre que necesite consejo técnico, reparaciones o partes de repuesto genuinas, comuníquese con el centro Black & Decker más cercano a usted.

Para encontrar su centro de servicio local, consulte la sección amarilla bajo "Herramientas eléctricas", o llame al: **(55) 5326-7100**.

GARANTÍA COMPLETA POR DOS AÑOS PARA USO DOMÉSTICO

Black & Decker (U.S.) Inc. garantiza que este producto estará libre de defectos de materiales y mano de obra durante un período de dos años. En caso de defectos, el producto defectuoso será reemplazado o reparado sin cargo alguno, de una de las dos maneras siguientes.

La primera opción, que únicamente puede utilizarse para cambios, es devolver el producto al vendedor (siempre y cuando la tienda sea un vendedor participante). Las devoluciones deben efectuarse durante el período de cambios estipulado por el vendedor (por lo general, 30 a 90 días a partir de la fecha de venta). Tal vez sea necesario que presente un comprobante de compra. Consulte con el vendedor para conocer los detalles de sus políticas de devolución para aquellos casos en que la devolución se lleva a cabo después del período establecido para cambios.

La segunda opción es llevar o enviar el producto (con gastos de transporte pagados por adelantado) a un centro de servicio Black & Decker (ya sea de la empresa o autorizado). Tal vez sea necesario que presente un comprobante de compra. Los centros de servicio Black & Decker, tanto de la empresa como autorizados, se indican en la sección "Herramientas, eléctricas" de la sección amarilla del directorio telefónico.

Esta garantía no se aplica a accesorios. Esta garantía le concede derechos legales específicos y usted puede tener otros derechos, que varían según el estado o la provincia. Si tiene preguntas relacionadas con la garantía, comuníquese con el gerente de un centro de servicio Black & Decker.

Este producto no ha sido diseñado para uso comercial.

REEMPLAZO GRATUITO DE LAS ETIQUETAS DE ADVERTENCIAS: si sus etiquetas de advertencia se tornan ilegibles o faltan, llame al **(55)5326-7100** para que se le reemplacen gratuitamente.

Para reparación y servicio de sus herramientas eléctricas, favor de dirigirse al Centro de Servicio más cercano:

CULIACAN, SIN

Av. Nicolás Bravo #1063 Sur
(667) 7 12 42 11
Col. Industrial Bravo

GUADALAJARA, JAL

Av. La Paz #1779
(33) 3825 6978
Col. Americana Sector Juarez

MEXICO, D.F.

Eje Central Lázaro Cardenas
No. 18
(55) 5588 9377
Local D, Col. Obrera

MERIDA, YUC

Calle 63 #459-A
(999) 928 5038
Col. Centro

MONTERREY, N.L.

Av. Francisco I. Madero
No.831
(81) 8375 2313
Col. Centro

PUEBLA, PUE

17 Norte #205
(222) 246 3714
Col. Centro

QUERETARO, QRO

Av. Madero 139 Pte.
(442) 214 1660
Col. Centro

SAN LUIS POTOSI, SLP

Av. Universidad 1525
(444) 814 2383
Col. San Luis

TORREON, COAH

Blvd. Independencia, 96 Pte.
(871) 716 5265
Col. Centro

VERACRUZ, VER

Prolongación Díaz Mirón #4280
(229)921 7016
Col. Remes

VILLAHERMOSA, TAB

Constitución 516-A
(993) 312 5111
Col. Centro

PARA OTRAS LOCALIDADES LLAME AL: (55) 5326 7100

Vea "Herramientas eléctricas (Tools-Electric)" - Páginas amarillas - para Servicio y ventas



BLACK & DECKER S.A. DE C.V.
BOSQUES DE CIDROS ACCESO RADIATAS NO. 42
COL. BOSQUES DE LAS LOMAS.
05120 MÉXICO, D.F.
TEL. 55-5326-7100

Free Manuals Download Website

<http://myh66.com>

<http://usermanuals.us>

<http://www.somanuals.com>

<http://www.4manuals.cc>

<http://www.manual-lib.com>

<http://www.404manual.com>

<http://www.luxmanual.com>

<http://aubethermostatmanual.com>

Golf course search by state

<http://golfingnear.com>

Email search by domain

<http://emailbydomain.com>

Auto manuals search

<http://auto.somanuals.com>

TV manuals search

<http://tv.somanuals.com>