



BLACK & DECKER®

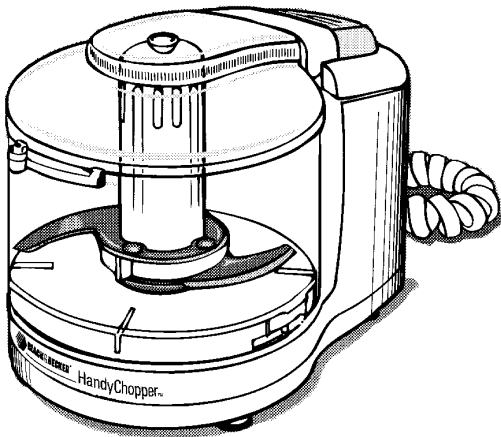
SAVE THIS USE AND CARE BOOK

LEASE ESTE INSTRUCTIVO ANTES DE USAR EL PRODUCTO

CONSERVER CE GUIDE D'ENTRETIEN ET D'UTILISATION

HandyChopper™

Mincer/Chopper
Mincer/Chopper
Mincer/Chopper



U.S.A.	1-800-231-9786	QUESTIONS?
Mexico	9-1-800-70128	PREGUNTAS?
Canada	1-800-465-6070	DES QUESTIONS ?

MODELS HC2000

IMPORTANT SAFEGUARDS

When using electrical appliances, in order to reduce the risk of fire, electric shock, and/or injury, basic safety precautions should always be followed, including the following:

- Read all instructions.
- To protect against risk of electrical shock, do not immerse Base, Motor Block, cord, or plug in water or other liquid. To clean, wipe exterior with a damp cloth.
- Close supervision is necessary when any appliance is used by or near children.
- Unplug from outlet when not in use, before putting on or taking off parts, and before cleaning. To unplug, grasp plug and pull straight out from outlet.
- Never pull cord.
- Avoid contacting moving parts.
- Do not operate any appliance with a damaged cord or plug or after the appliance malfunctions or is dropped or damaged in any manner. Return appliance to the nearest authorized service facility for examination, repair, or adjustment.
- The use of attachments not recommended or sold by the appliance manufacturer may cause fire, electric shock, or injury.
- Do not use outdoors.
- Do not let cord hang over edge of table or counter, or touch hot surfaces.
- The Blade is sharp. Handle carefully. Store out of reach of children.
- To avoid injury, never place Knife Blade on Base without first putting Bowl properly in place. Make sure Motor and Knife Blade have stopped completely before removing Cover.
- Do not attempt to force the Cover interlock mechanism.
- This appliance is intended for processing small quantities of food for immediate consumption. This appliance is not intended to prepare large quantities of food at one time.
- This product has a "pulse action" feature. Avoid running the motor continuously in this mode for periods over 1 minute.
- Do not operate the appliance when empty.

- Be certain Cover is locked securely in place before operating appliance.
- Check Bowl for presence of foreign objects before operating.
- This appliance is intended for household use only, not for commercial or industrial use.

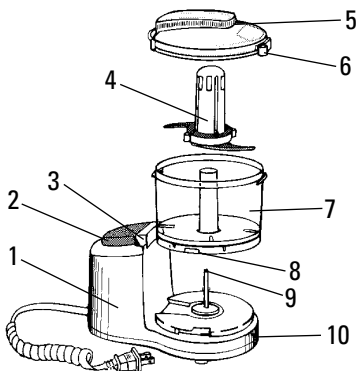
SAVE THESE INSTRUCTIONS

POLARIZED PLUG This appliance has a polarized plug—one blade is wider than the other. To reduce the risk of electric shock, this plug will fit into a polarized outlet only one way. If the plug does not fit fully into the outlet, reverse it. If it still does not fit, contact a qualified electrician. Do not attempt to defeat this safety feature by modifying the plug in any way.

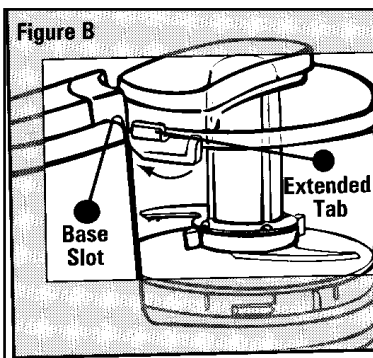
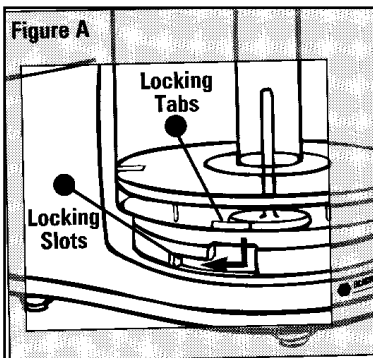
How To Use & Clean

Before using for the first time, wash Bowl, Cover, and Knife Blade in warm, sudsy water and dry thoroughly. All of these parts are dishwasher-safe. Wipe off the Base/Motor Block with a damp cloth; do not immerse Base in water.

1. Base
2. Pulse/On Switch
3. Base Slot
4. Blade Hub/Knife Blade
5. Cover Handle
6. Extended Tab
7. Bowl
8. Bowl Locking Tabs
9. Shaft
10. Base Locking Slot



ASSEMBLING THE UNIT



1. To assemble, place the unit on a counter or other flat work surface. Place the Bowl onto the Base, lining up the Bowl Locking Tabs to the Locking Slots.

2. Turn clockwise until the Bowl locks. (Figure A)

3. Slide the Knife Blade down over the shaft. Be careful not to touch the Blade as it is extremely sharp.

4. Place the Cover on the Bowl, with the Extended Tab on the same side as the Base Slot. Turn the Cover clockwise into the Base Slot as far as it will go. The Cover Handle will line up with the Pulse/On Switch. (Figure B)

NOTE: For your protection, this unit has a Cover Interlock System. The unit will not operate unless the Extended Tab is correctly located inside the Base Slot. Do not attempt to operate the unit without the Cover being correctly placed.

CHOPPING / MINCING

1. To use, remove the Cover and place up to 1 cup of dry food in the bowl. (See "Guide To Use.")

2. Place the Cover on the Bowl and turn to lock into place.

3. Depress and hold the Pulse/On Button to process.

NOTE: The longer the continuous pulse, the finer the texture. For coarsely chopped foods, use short pulses.

4. If the Chopper does not operate, be sure the Bowl Locking Tabs are properly positioned, and the Cover properly aligned. The parts are designed to "lock" into position.

5. Be sure the Blade stops turning completely before removing the Cover. Unplug the unit. remove the cover and grasp the plastic blade hub. Carefully pull the Knife Blade straight up. Remove the Bowl and empty the processed food. Do not use Bowl for storing food.

Guide To Use

FOOD	PREPARATION HINTS
Bread	Up to 2 slices, break each slice into 8 pieces.
Carrots/Celery/ Peppers	Cut into 1/2" pieces. Use up to 1 cup.
Chocolate Chips	Up to 1/2 cup chips. Process 30-50 seconds.
Eggs-Hard-Cooked	Peel; cut crosswise into quarters. Use up to 3 eggs.
Garlic	Peel. Use 1 or more large cloves.
Mushrooms	Quarter for best results. Use up to 3/4 cup. Pulse to desired texture.
Nuts-Soft (pecans, walnuts)	Add up to 1-1/2 cups at a time; less for a more coarse texture.
Onions-white, red, yellow	Peel up to 2 medium (2" diameter) onions or 3 small (1-1/2" diameter). Cut each into 6 pieces. Pulse.
Parsley (leaves only)	Add 1/2 to 3/4 cup; process about 60 seconds.

Need Help?

SERVICE OR REPAIR

Service, if necessary, must be performed by a Black & Decker (U.S.) Inc., Household Appliance Company-Owned or Authorized Service Center. The Service Center nearest you can be found in the yellow pages of your phone book under "Appliances-Small-Repairing," or you may call the toll-free "800" number on the cover of this manual.

If mailing or shipping your unit, pack it carefully in its original carton or any sturdy carton with enough packing material to prevent damage. Include a note describing the problem and be sure to give your return address. We suggest that you insure the package for your protection.

Consumer replaceable parts and accessories are also available at Black & Decker (U.S.) Inc., Household Appliance Company-Owned or Authorized Service Centers.

**FULL
TWO-YEAR
WARRANTY**

Black & Decker (U.S.) Inc. warrants this product against any defects that are due to faulty material or workmanship for a two-year period after the original date of consumer purchase or receipt as a gift. This warranty does not include damage to the product resulting from accident or misuse.

If the product should become defective within the warranty period, we will repair it or elect to replace it free of charge. We will return your product, transportation charges prepaid, provided it is delivered prepaid to any Black & Decker (U.S.) Inc., Household Appliance Company-Owned or Authorized Service Center. This warranty gives you specific legal rights, and you may also have other rights which vary from state to state.

Answers to any questions regarding warranty or service locations may be obtained by calling toll-free 1-800-231-9786 or by writing:

Consumer Assistance and Information
Black & Decker (U.S.) Inc.
626 Hanover Pike
Hampstead, MD 21074-0618



Listed by Underwriters Laboratories, Inc.
Copyright © 1992-1995 Black & Decker
Pub. No. 168633-14-RV01
Printed in Hong Kong

Free Manuals Download Website

<http://myh66.com>

<http://usermanuals.us>

<http://www.somanuals.com>

<http://www.4manuals.cc>

<http://www.manual-lib.com>

<http://www.404manual.com>

<http://www.luxmanual.com>

<http://aubethermostatmanual.com>

Golf course search by state

<http://golfingnear.com>

Email search by domain

<http://emailbydomain.com>

Auto manuals search

<http://auto.somanuals.com>

TV manuals search

<http://tv.somanuals.com>