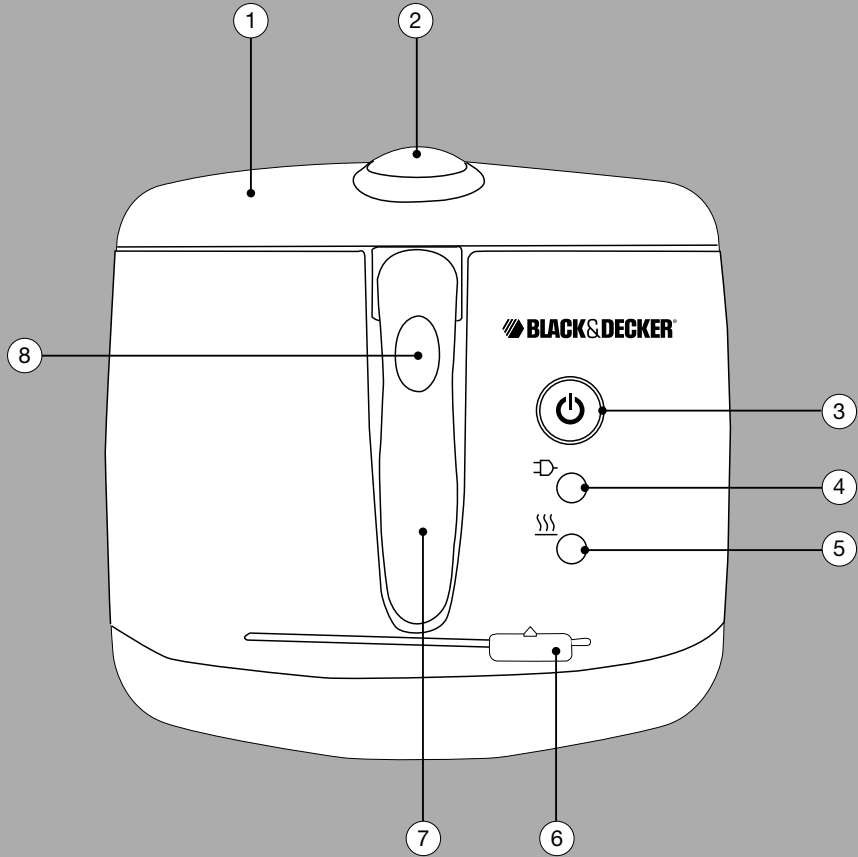


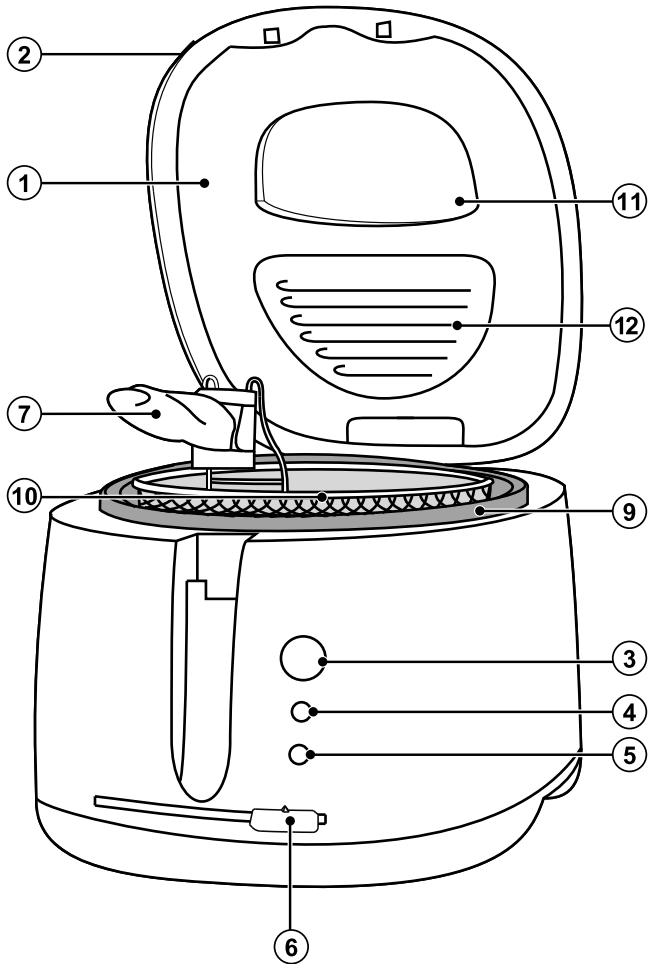


# BLACK & DECKER®



[www.blackanddecker.ae](http://www.blackanddecker.ae)

EF2500



- |    |                            |     |                       |
|----|----------------------------|-----|-----------------------|
| 1. | Lid                        | 7.  | Basket handle         |
| 2. | Lid release button         | 8.  | Handle release button |
| 3. | On/Off button              | 9.  | Cooking bowl          |
| 4. | On/Off indicator lamp      | 10. | Basket                |
| 5. | Temperature indicator lamp | 11. | Viewing window        |
| 6. | Temperature control        | 12. | Filter cover          |

## Intended use

Your Black & Decker Deep Fryer has been designed for cooking ingredients as listed in the Frying Guide in this manual. This product is intended for household use only.



Read this entire manual carefully before using the appliance.

## Safety instructions

- **Warning!** When using mains-powered appliances, basic safety precautions, including the following, should always be followed to reduce the risk of fire, electric shock, personal injury and material damage.
- The intended use is described in this manual. The use of any accessory or attachment or the performance of any operation with this appliance other than those recommended in this instruction manual may present a risk of personal injury.
- Retain this manual for future reference.
- Always route the cord carefully to avoid a tripping hazard.
- Never operate an appliance directly below the socket-outlet it is connected to.
- When using an extension cord with your appliance, make sure the extension cord is correctly wire & rated for its use.
- Do not allow the cord set to hang over bench tops.
- This appliance is not intended for use by persons (including children) with reduced physical, sensory or mental capabilities, or lack of experience and knowledge, unless they have been given supervision or instruction concerning use of the appliance by a person responsible for their safety.
- Do not allow children or any person unfamiliar with these instructions to use the appliance.
- Do not allow children or animals to come near the work area or to touch the appliance or power supply cord. Close supervision is necessary when the appliance is used near children.
- Never leave the appliance unattended when in use.

## Using your appliance

- Make sure that the appliance is switched off before connecting to or disconnecting from the power supply.
- Always take care when using the appliance.
- Never pull the power supply cord to disconnect the plug from the socket.
- Keep the power supply cord away from heat, oil and sharp edges.
- Surfaces may be hot during use and during the cool down period.
- Do not operate or place any part of this appliance on or near any hot surface, such as gas or electric burner or in a heated oven.
- Switch off and remove the plug from the socket before leaving the appliance unattended and before changing, cleaning or inspecting any parts of the appliance.
- When not in use, the appliance should be stored in a dry place. Children should not have access to stored appliances.

## After use

## Inspection and repairs

- Before use, check the appliance for damaged or defective parts. Check for breakage of parts, damage to switches and any other conditions that may affect its operation.
- Do not use the appliance if any part is damaged or defective.

- Have any damaged or defective parts repaired or replaced by an authorised repair agent.
- Before use, check the power supply cord for signs of damage, ageing and wear.
- Do not use the appliance if the power supply cord or mains plug is damaged or defective.
- If the power supply cord or mains plug is damaged or defective it must be repaired by an authorised repair agent in order to avoid a hazard. Do not cut the power supply cord and do not attempt to repair it yourself.
- Never attempt to remove or replace any parts other than those specified in this manual.
- Do not attempt to repair the appliance. Take it to your nearest Black & Decker-owned or authorised Service Centre for repair.

## Electrical safety

- This product must be earthed. Always check that the power supply corresponds to the voltage on the rating plate.
- Power plugs must match the outlet. Never modify the plug in any way. Do not use any adapter plugs with earthed (Class 1) appliances. Unmodified plugs and matching outlets will reduce the risk of electric shock.

## Extension cables & Class 1 product

- A 3-core cable must be used as your appliance is earthed and of Class 1 construction.
- Up to 30m (100ft) can be used without loss of power.
- If the supply cord is damaged, it must be replaced by the manufacturer or an authorized Black & Decker Service Center in order to avoid a hazard.

## Additional safety instructions for deep fryers

- Do not immerse the appliance, cord set or plug in liquids
- Never add water or ice to oil
- Do not use solid fats
- Extra care is required when cooking frozen food
- Only use good quality cooking oil in this fryer
- Always close the lid before lowering the basket into the hot oil
- Care should be taken when opening the fryer as hot steam may escape on opening.
- Hot steam may escape from the filter cover vents during use
- Take care when opening the Fryer lid as hot steam may escape
- Do not touch hot surfaces such as the bowl, lid and main body during use or the cool-down period. Always use the handles or knobs provided.
- Allow Fryer & oil to cool before carrying or emptying.
- Surfaces may be hot during use and during the cool down period.
- Always leave sufficient space around the fryer for ventilation.

**Note :** The appliance is not intended to be operated by means of an external timer or a separate remote-control system.

## Assembly

This appliance is supplied fully assembled & only requires parts to be cleaned & oil adding to the cooking bowl before use.

### Lid

- To open the lid (1), press the lid release button (2).

- Once open, the lid can be removed by releasing the clips and then lifting it vertically from the appliance.
- To re-fit the lid, insert the 2 posts into the slot in the appliance. Close the lid, ensuring it locks in place.

### Basket

- Raise the basket handle (7) until it locks in the horizontal position.
- Press the lid release button (2) & allow the lid (1) to open.
- Lift the basket (10) from the Fryer.
- To re-fit the basket, insert the rib on the basket into the slot in the appliance and lower into position.
- Close the lid, & press the handle release button (8). Slowly lower the handle to the vertical position.

### Cooking bowl

- Press the lid release button (2) & allow the lid (1) to open.
- Lift the basket (10) from the Fryer.
- Grip the bowl (9) at either side & lift it from the cavity.
- To re-fit, place it back in the cavity, ensuring the mark on the bowl is matching with mark on the unit and it is correctly seated. Re-fit the basket, lower it & close the lid.

## Use

### Adding oil

- Raise the basket handle (7) until it locks in the horizontal position.
- Press the lid release button (2) & allow the lid to open.
- Lift the basket (10) from the Fryer.
- Remove the cooking bowl (9).
- Check the element for signs of damage or debris to prolong the life of the appliance & improve efficiency.

**Note:** The bowl should only be removed while the product is cool.

- Place the cooking bowl back in the appliance making sure it is seated correctly.

**Note:** If the cooking bowl is not seated correctly the fryer will not function.

- Pour good quality cooking oil into the cooking bowl. Always make sure the oil level is between the maximum & minimum marks on the cooking bowl. (Approx 1.65 liters)

**Note:** Cook only in the bowl supplied.

- Fit the basket into the appliance. Close the lid & press handle release button to lower the handle to the vertical position.

### Cooking

- Connect the appliance to a suitable electrical supply. Slide the temperature control (6) to the required setting.
- Press the on/off button (3). The on/of indicator lamp (4) and the temperature indicator lamp (5) will light up to indicate the appliance is on and the oil is being heated.
- The temperature indicator lamp (5) will go out the oil is at the selected temperature.
- Preheating the empty basket in this way will help prevent food sticking to it.
- Raise the handle (7) to the carrying position.
- Press the lid release button (2) & allow the lid to open.
- Remove the basket & close the lid. Place the basket on a worktop, using clean cloth or paper towels to prevent marking the work surface.
- Place the prepared ingredients in the basket (10), then open the Fryer lid & fit the basket to the appliance, slowly lowering into the oil.

**Note:** Excess moisture should be removed from ingredients with a clean cloth or paper towels before frying.

**Note:** Do not over fill the basket.

- Carefully close the lid, making sure it latches in position.
- While holding the handle, press the handle button (8). Slowly lower the handle to the vertical position.

**Note:** The temperature indicator lamp (5) will cycle on and off during cooking. Keep lid (1) closed during cooking.

- Use the Frying Guide as a guide to determine food quantities, temperature settings and cooking times.
- The cooking progress can be checked by looking through the window (2).

**Note:** Hot steam may escape from the filter vents and lid during cooking.

- When cooking is completed, press the on/off button (3), the on/off indicator lamp (6) will go out. Disconnect the appliance from the electrical supply.
- Raise the basket handle (10) until it locks in the horizontal position. Press the lid release button (2) to open the Fryer & remove the basket, shaking it so any excess oil falls back into the cooking bowl.

**Note:** The basket can be positioned onto the side of the cooking bowl to drain excess oil from the food.

## Frying guide

This frying time given in this chart is only a guide and should be adjusted according to the quantity fried.

Food	Oil Temp (°C)	Max. Weight (Grams)	Approx. Frying Time (Minutes)
Shrimp	130	250	6 – 7
Onion Rings	140	150	5 – 6
Mushrooms	140	300	6 – 8
Fish Fillet	150	250	6 – 8
Fish Fillet in Batter	150	400	6 – 8
Fish Cakes or Balls	150	400	7 – 10
Sliced Meat	170	400	7 – 10
Steak	170	400	7 – 10
Chicken Strips	180	400	12 – 15
French Fries	190	500	12 – 15

## Practical advice

### Oils and fats

- Always use oil that can withstand high temperature.
- Do not mix different types of oil or fat.
- Change the oil or fat when it becomes brown after cooking.

### Preparing the food

- Whatever the recipe used, the food must be perfectly dry. this will avoid overflowing and make the oil or fat last longer.
- When preparing potato-based food (chips, crisps, etc.), cut them up and then wash them in cold water to remove the starch. Dry them carefully. This will stop them sticking together.

## Cooking

- Do not overfill the basket. This will cause the oil temperature dropping and make the food greasy.
- Do not keep the oil at high temperature for long periods. This will make it lose its properties.
- Set the temperature controller to the lowest temperature while waiting between two batches.
- Do not leave the cooked food in the basket in the draining position too long. The vapors could cause the food to lose its crispness and go soft.
- Frozen food can be cooked in the basket without being defrosted.

## After cooking

- Change the fat or oil regularly, after approximately 20 batches.

## Maintenance

Your Black & Decker tool has been designed to operate over a long period of time with a minimum of maintenance. Continuous satisfactory operation depends upon proper care and regular cleaning.

**Warning!** Before performing any maintenance or cleaning of the Fryer, disconnect the appliance from the power supply.

### Emptying the Fryer

When the Fryer is cool, pour the old oil from the coking bowl (9) into a suitable container. Always follow local regulations concerning the disposal of used cooking oil.

### Replacing the Filter

The filter is fitted to reduce frying odours and should always be in place when using the Fryer.

Over time, the filters will become less effective & will need to be replaced.

To replace the filters, remove the filter cover (12) from the lid. The filter material can now be removed. Fit the new filter material, making sure the white filter is down, and the wire mesh is on top.

B&D recommend replacing the filter after every 50 - 60 uses.

## Mains Plug Replacement

If a new mains plug needs to be fitted:

- Safely dispose of the old plug.
- Connect the brown lead to the live terminal of the new plug.
- Connect the blue lead to the neutral terminal.
- If the product is class I (earthed), connect the green / yellow lead to the earth terminal.
- **Warning!** If your product is class II double insulated (only 2 wires in the cord set), no connection is to be made to the earth terminal.

**Note:** Follow the fitting instructions supplied with good quality plugs.

**Note:** Any replacement fuse must be of the same rating as the original fuse supplied with the product.

## Cleaning

The main housing should be cleaned with a clean damp cloth only.

### Lid & Basket:

Remove the lid & basket from the appliance.

Remove the filter from the lid. Wash the lid & basket in warm soapy water. Rinse with clean water and dry thoroughly with a dry soft cloth.

## Cleaning the bowl

Unplug the Fryer & allow the oil to cool to room temperature. Remove the lid (1), basket (10) and the cooking bowl (9) from the unit. Pour out the cool oil and filter it in to a suitable container using a sieve to filter out food particles from the oil.

Wipe the oil off with an absorbing paper. Wash the lid & basket in warm soapy water. Rinse with clean water and dry thoroughly with a dry soft cloth.

**Note:** Do not use abrasives or chemical cleaners on any part of this appliance.

Do not allow the filters to get wet.

Do not wash any part of this appliance in a dishwasher.

Always follow local regulations concerning the disposal of used cooking oil. Ventilation slot should be cleaned occasionally with a clean, dry paint brush.

## Technical Data

Voltage	220 – 240 Volts
Supply	50 Hz
Power input	1600 W
Cable length	0.77 m
Container size	2.5 litre
Weight	2.8 kg

## Protecting the environment



Separate collection. This product must not be disposed of with normal household waste.

Should you find one day that your Black & Decker product needs replacement, or if it is of no further use to you, do not dispose of it with other household waste. Make this product available for separate collection.

- Black & Decker provides a facility for recycling Black & Decker products once they have reached the end of their working life. This service is provided free of charge. To take advantage of this service please return your product to any authorised repair agent who will collect them on our behalf.
- You can check the location of your nearest authorised repair agent by contacting your local Black & Decker office at the address indicated in this manual. Alternatively, a list of authorised Black & Decker repair agents and full details of our after-sales service and contact are available on the Internet at: [www.2helpU.com](http://www.2helpU.com)



## Guarantee

Black & Decker is confident of the quality of its products and offers an outstanding guarantee.

This guarantee statement is in addition to and in no way prejudices your statutory rights.

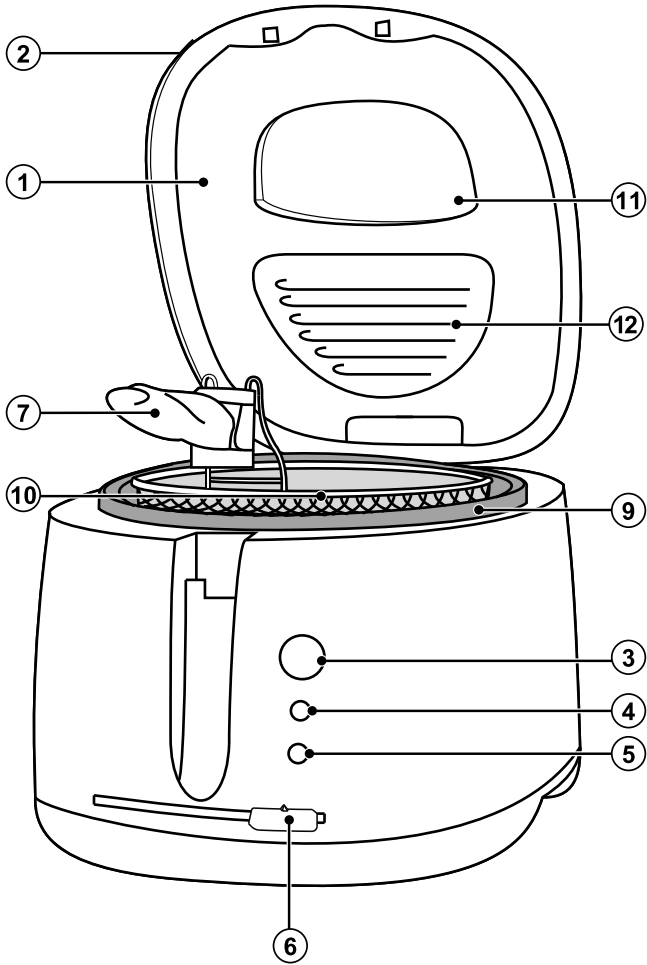
The guarantee is valid within the territories of the Member States of the European Union and the European Free Trade Area.

If a Black & Decker product becomes defective due to faulty materials, workmanship or lack of conformity, within 24 months from the date of purchase, Black & Decker guarantees to replace defective parts, repair products subjected to fair wear and tear or replace such products to ensure minimum inconvenience to the customer unless:

- The product has been used for trade, professional or hire purposes;
- The product has been subjected to misuse or neglect;
- The product has sustained damage through foreign objects, substances or accidents;
- Repairs have been attempted by persons other than authorised repair agents or Black & Decker service staff.

To claim on the guarantee, you will need to submit proof of purchase to the seller or an authorised repair agent. You can check the location of your nearest authorised repair agent by contacting your local Black & Decker office at the address indicated in this manual.

Alternatively, a list of authorised Black & Decker repair agents and full details of our after-sales service and contacts are available on the Internet at [www.2helpU.com](http://www.2helpU.com).



مقبض السلة	7	الغطاء	1
زر تحرير المقبض	8	زر تحرير الغطاء	2
سلطانية الطهي	9	زر التشغيل/إيقاف التشغيل	3
السلة	10	مصباح مؤشر التشغيل/إيقاف التشغيل	4
نافذة المشاهدة	11	مصباح مؤشر درجة الحرارة	5
غطاء المرشح	12	مفتاح التحكم في درجة الحرارة	6

## غرض الاستخدام

- في حالة استخدام سلك تمديد مع الجهاز، تأكد من أن السلك مناسب ومقنن بشكل يتوافق مع الغرض من استخدامه.

مقلاة القلي العميقة بلاك أند ديكر مصممة لطهي المكونات على النحو الموضح في دليل القلي في هذا الدليل. هذا المنتج مصمم للاستخدام المنزلي فقط.

ينبغي قراءة هذا الدليل بعناية قبل استخدام الجهاز.



## تعليمات السلامة

- لا تترك السلك يتدلى من فوق سطح المنضدة.
- هذا الجهاز غير مصمم ليستخدمه الأشخاص ذوو القدرات الجسدية والذهنية والحسية والعقلية المتدنية والخبرة والمعرفة القليلتين (بما في ذلك الأطفال) إلا في ظل الإشراف عليهم أو إعطائهم التعليمات المتعلقة باستخدام الجهاز من قبل شخص مسؤول عن سلامتهم.
- لا تسمح للأطفال، أو أي شخص غير مطلع على هذه الإرشادات، باستخدام هذا الجهاز.
- لا تسمح للأطفال أو الحيوانات بالاقتراب من منطقة العمل أو لمس الجهاز أو سلك التيار الكهربائي. يلزم توخي الحذر والمتابعة الدقيقة عند استخدام الجهاز بالقرب من الأطفال.
- يلزم عدم ترك الجهاز دون متابعة أثناء استخدامه.

تحذير! عند استخدام الأجهزة الكهربائية، يتعين دائماً مراعاة احتياطات السلامة الأساسية؛ للحد من احتمالات نشوب حريق أو تعرض الأشخاص لصدمة كهربائية أو إصابة شخصية أو تلف مادي، بما في ذلك ما يلي:

- الغرض من الاستخدام موضح في هذا الدليل. وإن استخدام أية ملحقات أو وحدات مرفقة أو تنفيذ أية عملية باستخدام هذا الجهاز غير تلك الموصى بها في هذا الدليل قد ينطوي على خطورة التعرض لإصابة شخصية.
- يرجى الاحتفاظ بهذا الدليل للرجوع إليه مستقبلاً.
- احرص دائماً على فرد سلك التيار الكهربائي بدقة لتجنب مخاطر التعثر به.
- لا تقم بتشغيل أي جهاز أسفل المقبس الموصل به مباشرة.

## بعد الاستخدام

## استخدام الجهاز

- قم بإيقاف تشغيل الجهاز وانزع القابس من مأخذ الكهرباء عند عدم استخدام الجهاز أو قبل تغيير أي من أجزائه أو تنظيفها أو صيانتها.
- في حالة عدم استخدام الجهاز، يجب تخزينه في مكان جاف. ويجب عدم تمكين الأطفال من الوصول إلى الأجهزة المخزنة.

- تأكد من إيقاف تشغيل الجهاز قبل توصيله بمصدر التيار الكهربائي أو فصله عنه.
- ينبغي دائماً توخي الحذر والحرص عند استخدام الجهاز.
- لا تحاول مطلقاً شد سلك التيار الكهربائي لفصل القابس عن المقبس.

## الفحص والإصلاح

- قبل الاستخدام، افحص الجهاز للتعرف على الأجزاء التالفة أو المعيبة. افحص الجهاز للتأكد من خلوه من الأجزاء المكسورة وتلف المفاتيح وأية أوضاع أخرى قد تؤثر على كفاءة تشغيله.
- لا تستخدم الجهاز في حالة تلف أي جزء أو وجود عيب به.

- ضع سلك التيار الكهربائي بعيداً عن الحرارة والزيت والحواف الحادة.
- الأسطح يمكن أن تكون ساخنة أثناء الاستخدام وأثناء فترة التبريد.
- لا تشغل هذا الجهاز أو تضع أي جزء منه فوق أو بالقرب من أي سطح ساخن، مثل موقد الغاز أو موقد الكهرباء أو في فرن ساخنة.

## تعليمات سلامة إضافية للمقلاة العميقة

- لا تغمس الجهاز أو السلك أو القابض في السوائل.
- احظر تمامًا إضافة الماء أو الثلج على الزيت.
- ينبغي توخي مزيد من الحذر عند طهي الأطعمة المجمدة.
- ينبغي مع هذه المقلاة الاقتصاد فقط على استخدام زيت طهي عالي الجودة.
- قم دائمًا بإغلاق الغطاء قبل خفض السلة في الزيت الساخن.
- ينبغي توخي الحذر عند فتح المقلاة؛ حيث قد يتسرب بخار ساخن عند الفتح.
- قد يتسرب البخار الساخن من فتحات غطاء المرشح أثناء الاستخدام.
- ينبغي توخي الحذر عند فتح غطاء المقلاة؛ حيث قد يتسرب بخار ساخن عند الفتح.
- لا تلمس الأسطح الساخنة، مثل السلطانية والغطاء والهيكल الرئيسي، أثناء الاستخدام أو فترة التبريد. احرص دائمًا على استخدام المقابض.
- اترك المقلاة والزيت حتى يبردان قبل الحمل أو التفريغ.
- يمكن أن تكون الأسطح ساخنة أثناء الاستخدام وأثناء فترة التبريد.
- اترك دائمًا فراغًا كافيًا حول المقلاة للتهوية.
- ملاحظة: الجهاز غير مصمم للاستخدام عن طريق مؤقت خارجي أو نظام تحكم عن بعد مستقل.

## التركيب

هذا الجهاز يتم توفيره مركب بالكامل ويتطلب فقط تنظيف الأجزاء وإضافة الزيت في سلطانية الطهي قبل الاستخدام.

## الغطاء

- لفتح الغطاء (1)، اضغط على زر تحرير الغطاء (2).
- بمجرد الفتح، يمكن إزالة الغطاء عن طريق تحرير المشابك ثم رفعه رأسياً من الجهاز.

- ينبغي الاستعانة بوكيل الصيانة المعتمد لإصلاح أجزاء تالفة أو معيبة أو استبدالها.
- قبل الاستخدام، يلزم فحص سلك التيار الكهربائي للتأكد من خلوه من علامات التلف أو القدم البالغ أو التآكل.
- يجب عدم استخدام الجهاز في حالة تلف سلك التيار الكهربائي أو القابض أو وجود عيب بأي منهما.
- في حالة تلف سلك التيار الكهربائي أو القابض، أو وجود عيب بأي منهما، يجب إصلاحهما بواسطة وكيل صيانة معتمد لتجنب المخاطر. لا تقطع سلك التيار الكهربائي ولا تحاول إصلاحه بنفسك.
- لا تحاول مطلقاً إزالة أو استبدال أية أجزاء غير تلك الموضحة في هذا الدليل.
- لا تحاول إصلاح الجهاز بنفسك، ولكن اذهب به إلى أقرب مركز صيانة تابع لشركة بلاك أند ديكر أو معتمد منها لإصلاح الجهاز.

## السلامة الكهربائية

- يلزم تأريخ هذا المنتج. وينبغي التأكد دائماً من توافق مصدر التيار الكهربائي مع الجهد الموضح على لوحة التقنين.
- يلزم توافق قوابس التيار الكهربائي مع مصدر التيار الكهربائي. تجنب مطلقاً تعديل القابض بأية طريقة، ولا تستخدم أية قوابس مهائى مع الأجهزة المأرضة (الفئة 1). سوف تؤدي القوابس غير المعدلة ومصادر التيار الكهربائي المتوافقة إلى تقليل خطر التعرض لصدمة كهربائية.

## كبلات التوصيل الإضافي ومنتج الفئة "1"

- يتعين استخدام كبل ثلاثي الأطراف؛ لأن هذا الجهاز من الأجهزة التي بها تأريخ ومن منتجات الفئة "1".
- يمكن استخدام كبل توصيل إضافي يصل طوله إلى 30 متراً (100 قدم) دون حدوث أي فقدان للطاقة.
- في حالة تلف سلك التيار الكهربائي، يلزم استبداله بواسطة الشركة المصنعة أو مركز صيانة معتمد من بلاك أند ديكر من أجل تجنب المخاطر.

- ملاحظة: ينبغي إزالة السلطانية فقط عندما يبرد المنتج.
- قم بإعادة سلطانية الطهي إلى موضعها في الجهاز وتأكد من استقرارها في موضعها بشكل صحيح.
- ملاحظة: في حالة عدم استقرار سلطانية الطهي في موضعها بشكل صحيح، لن تعمل المقلاة.
- اسكب زيت طهي عالي الجودة في سلطانية الطهي. تأكد دائماً من أن مستوى الزيت بين علامتي الحد الأقصى والأدنى الموجودتين على سلطانية الطهي. (تقريباً 1.65 لتر)
- ملاحظة: ينبغي الطهي فقط في السلطانية الموفرة مع الجهاز.
- قم بتركيب السلة في الجهاز وأغلق الغطاء واضغط على زر تحرير المقبض لخفض المقبض إلى الوضع الرأسي.
- الطهو
- وصل الجهاز بمصدر تيار كهربائي مناسب. وقم بتحريك مفتاح التحكم في درجة الحرارة (6) إلى الإعداد المطلوب.
- اضغط على زر التشغيل/إيقاف التشغيل (3). سوف يضيء مصباح مؤشر التشغيل/إيقاف التشغيل (4) ومصباح مؤشر درجة الحرارة (5) لتوضيح أن الجهاز يعمل وأن الزيت يتم تسخينه.
- سوف ينطفئ مصباح مؤشر درجة الحرارة (5) عند وصول الزيت إلى درجة الحرارة المحددة.
- التسخين المسبق للسلة الفارغة بهذه الطريقة سوف يساعد في منع الطعام من الالتصاق بها.
- ارفع المقبض (7) إلى وضع الحمل.
- اضغط على زر تحرير الغطاء (2) واترك الغطاء ينفتح.
- قم بإزالة السلة وأغلق الغطاء. ضع السلة على سطح عمل، مستخدماً قطعة قماش نظيفة أو مناشف ورقية لمنع اتساخ سطح العمل.
- ضع المكونات المعدة في السلة (10)، ثم افتح غطاء المقلاة وقم بتركيب السلة في الجهاز، واخفض ببطء في الزيت.
- لإعادة تركيب الغطاء، أدخل اللسانين في فتحة الجهاز. أغلق الغطاء وتأكد من استقراره في موضعه.
- السلة
- ارفع مقبض السلة (7) حتى يستقر في الوضع الأفقي.
- اضغط على زر تحرير الغطاء (2) واترك الغطاء (1) ينفتح.
- قم بإزالة السلة (10) من المقلاة.
- لإعادة تركيب السلة، أدخل اللسان الموجود بالسلة في الفتحة الموجودة بالجهاز واخفض إلى أسفل.
- أغلق الغطاء واضغط على زر تحرير المقبض (8). قم بخفض المقبض ببطء إلى الوضع الرأسي.
- سلطانية الطهي
- اضغط على زر تحرير الغطاء (2) واترك الغطاء (1) ينفتح.
- قم بإزالة السلة (10) من المقلاة.
- امسك بالسلطانية (9) من أي جانب وقم بإزالتها من التجويف.
- لإعادة تركيب السلطانية، قم بوضعها مرة أخرى في التجويف وتأكد من توافق العلامة الموجودة على السلطانية مع العلامة الموجودة على الوحدة وتأكد من استقرارها في موضعها الصحيح. قم بإعادة تركيب السلة واخفضها وأغلق الغطاء.
- الاستخدام
- إضافة الزيت
- ارفع مقبض السلة (7) حتى يستقر في الوضع الأفقي.
- اضغط على زر تحرير الغطاء (2) واترك الغطاء (1) ينفتح.
- قم بإزالة السلة (10) من المقلاة.
- قم بإزالة سلطانية الطهي (9).
- افحص الوحدة للتأكد من خلوها علامات التلف أو الحطام لإطالة عمر الجهاز وتحسين الكفاءة.

## جدول القلي

وقت القلي الموضح في هذا الجدول لغرض الإرشاد فقط وينبغي الضبط وفق الكمية المقلية.

وقت القلي التقريبي (دقائق)	أقصى وزن (جرام)	درجة حرارة الزيت (درجة مئوية)	الطعام
6 - 7	250	130	روبيان
5 - 6	150	140	حلقات البصل
6 - 8	300	140	فطر (مشروم)
6 - 8	250	150	شرائح سمك مخلي
6 - 8	400	150	في مخيض اللبن والبيض
7 - 10	400	150	كرات أو كعك سمك
7 - 10	400	170	رقائق لحم
7 - 10	400	170	شرائح لحم
12 - 15	400	180	لحم دجاج مخلي
12 - 15	500	190	مقالي فرنسية

## نصائح عملية

## الزيوت والسمن

- استخدم دائماً الزيت الذي يمكن أن يقاوم درجة الحرارة المرتفعة.
- لا تخلط أنواع مختلفة من الزيت أو السمن.
- قم بتغيير الزيت أو السمن عندما يصبح لونه بني بعد الطهي.

## إعداد الطعام

- بغض النظر عن صيغة الطهي المستخدمة، يلزم تجفيف الطعام تماماً، سوف يؤدي ذلك إلى تجنب الطفح ويطيل عمر الزيت أو السمن.
- عند إعداد طعام من البطاطس (رقائق وشرائح البطاطس المجعدة وما إلى ذلك)، قم بتقطيع البطاطس واغسلها في الماء البارد لإزالة النشا وجففها جيداً. سوف يؤدي ذلك إلى منع التصاقها مع بعضها البعض.

ملاحظة: ينبغي التخلص من الرطوبة المفرطة من المكونات باستخدام قطعة قماش نظيفة أو مناشف ورقية قبل القلي.

ملاحظة: ينبغي عدم الإفراط في ملء السلة.

- أغلق الغطاء بحرص، وتأكد من استقراره في موضعه الصحيح.

- أثناء مسك المقبض، اضغط على زر المقبض (8).  
اخفض المقبض ببطء إلى الوضع الرأسي.

ملاحظة: سوف ينطفئ مصباح مؤشر درجة الحرارة (5) ويضيء أثناء الطهي. اترك الغطاء (1) مغلقاً أثناء الطهي.

- استخدم دليل القلي كدليل لتحديد كميات الطعام وإعدادات درجة الحرارة وأوقات الطهي.

- يمكن فحص تقدم الطهي بواسطة النظر من خلال النافذة (11).

ملاحظة: يمكن أن يتسرب البخار الساخن من فتحات المرشح والغطاء أثناء الطهي.

- عند اكتمال الطهي، اضغط على زر التشغيل/إيقاف التشغيل، سوف ينطفئ مصباح مؤشر التشغيل/إيقاف التشغيل (6). أفضل الجهاز عن مصدر التيار الكهربائي.

- ارفع مقبض السلة (10) حتى يستقر في الوضع الأفقي. اضغط على زر تحرير الغطاء (2) لفتح المقلاة وقم بإزالة السلة، وقم برج السلة لكي يتساقط أي زيت زائد في سلطانية الطهي.

ملاحظة: يمكن وضع السلة على جانب سلطانية الطهي لتصفية الزيت الزائد من الطعام.

## الطهو

لاستبدال المرشحات، قم بإزالة غطاء المرشح (12) من الغطاء. وعندئذ يمكن إزالة مواد المرشح. قم بتركيب مواد المرشح الجديد، وتأكد من وجود المرشح الأبيض من أسفل وشبكة الأسلاك من أعلى.

توصي بلاك أند ديكر باستبدال المرشح بعد كل 50-60 مرة استخدام.

## استبدال القابس

في حالة الحاجة إلى تركيب قابس جديد:

- قم بإزالة القابس القديم بأمان.
- قم بتوصيل سلك التوصيل البني بالطرف الحي في القابس الجديد.
- قم بتوصيل سلك التوصيل الأزرق بالطرف المحايد.
- إذا كان المنتج من الفئة 1 (مأرض)، وصل سلك التوصيل الأخضر/الأصفر بالطرف الأرضي.
- تحذيراً! إذا كان المنتج من الفئة 2 مزدوجة العزل (سلكان فقط في مجموعة السلك)، لا يتم التوصيل بالطرف الأرضي.

ملاحظة: اتبع تعليمات التركيب المرفقة مع المقابس عالية الجودة.

ملاحظة: أي استبدال للصمامة الكهربائية، يلزم أن يكون من نفس تقنين الصمامة الكهربائية الأصلية المرفقة مع المنتج.

## التنظيف

ينبغي تنظيف وحدة الإيواء الرئيسية باستخدام قطعة قماش مبللة فقط.

## الغطاء والسلة

قم بإزالة الغطاء والسلة من الجهاز.

قم بإزالة المرشح من الغطاء. اغسل الغطاء والسلة في ماء دافئٍ يحتوي على الصابون، ثم قم بالشطف بماء نظيف والتجفيف الجيد باستخدام قطعة قماش ناعمة جافة.

• لا تفرط في ملء السلة. سوف يتسبب ذلك في انخفاض درجة حرارة الزيت وجعل الطعام كثير الزيت.

• لا تترك الزيت في درجة حرارة عالية لفترات طويلة. سوف يؤدي ذلك إلى فقدانه خواصه.

• اضبط مفتاح التحكم في درجة الحرارة على أقل درجة حرارة أثناء الانتظار بين كل كميتي طعام.

• لا تترك الطعام المطهي في السلة في وضع التصفية لفترة طويلة. يمكن أن يتسبب البخار في فقدان الطعام لتجمده ويصبح طري القوام.

• يمكن طهي الطعام المجمد في السلة دون إذابة تجميده.

## بعد الطهي

• قم بتغيير السمن أو الزيت بانتظام، بعد كل 20 كمية قلي تقريباً.

## الصيانة

تم تصميم أداة بلاك أند ديكر للتشغيل لفترة طويلة من الوقت وبأقل صيانة. يتوقف التشغيل المرضي المستمر على الاستخدام الملائم والتنظيف الدوري.

تحذيراً! قبل تنظيف المقلاة أو إجراء أية صيانة، افصل الجهاز عن مصدر التيار الكهربائي.

## تفريغ المقلاة

عندما تبرد المقلاة، اسكب الزيت القديم من سلطانية الطهي (9) في وعاء مناسب. اتبع دائماً اللوائح المحلية الخاصة بالتخلص من زيت الطهي المستخدم.

## استبدال المرشح

المرشح مركب لتقليل روائح القلي وينبغي وضعه دائماً في مكانه عند استخدام المقلاة.

مع مرور الوقت، تصبح المرشحات أقل كفاءة وسوف تحتاج إلى استبدالها.

## تنظيف سلطانية الطهي

- توفر شركة بلاك أند ديكر مرفق لإعادة تدوير منتجات بلاك أند ديكر بمجرد وصولها إلى نهاية عمرها وعدم صلاحيتها للعمل. ويتم تقديم هذه الخدمة مجاناً. للاستفادة من هذه الخدمة، يرجى إعادة المنتج إلى أي وكيل صيانة معتمد والذي سوف يتولى بدوره جمع المنتجات نيابة عنا.

افصل المقلاة عن مصدر التيار الكهربائي واترك الزيت حتى يبرد لمستوى درجة حرارة الغرفة. قم بإزالة الغطاء (1) والسلة (10) وسلطانية الطهي (9) من الوحدة. قم بتفريغ الزيت البارد وتصفيته في وعاء مناسب باستخدام منخل لتصفية بقايا الأطعمة من الزيت.

- يمكنك التعرف على موقع أقرب وكيل صيانة معتمد من خلال الاتصال على مكتب بلاك أند ديكر المحلي في العنوان الموضح في هذا الدليل. وبدلاً من ذلك، توجد قائمة بوكلاء الصيانة المعتمدين التابعين لشركة بلاك أند ديكر والتفاصيل الكاملة لخدمات ما بعد البيع ووسائل الاتصال الخاصة بنا على الإنترنت على الموقع الإلكتروني: [www.2helpU.com](http://www.2helpU.com).

امسح الزيت باستخدام ورق ماص. اغسل الغطاء والسلة في ماء دافئٍ يحتوي على الصابون، ثم قم بالشطف بماء نظيف والتجفيف الجيد باستخدام قطعة قماش ناعمة جافة.

ملاحظة: لا تستخدم المواد الكاشطة أو المنظفات الكيماوية مع أي جزء في هذا الجهاز.

لا تترك المرشحات يصيبها البلل.

لا تغسل أي جزء من هذا الجهاز في غسالة أطباق.

اتبع دائماً اللوائح المحلية الخاصة بالتخلص من زيت الطهي المستخدم. ينبغي تنظيف فتحات التهوية بانتظام باستخدام فرشاة جافة نظيفة.

## البيانات الفنية

الجهد	240-220 فولت
مصدر الكهرباء	50 هرتز
دخل الطاقة	1600 وات
طول الكبل	0.77 متر
حجم الوعاء	2.5 لتر
الوزن	2.8 كجم

## حماية البيئة

الجمع المنفصل. يلزم عدم التخلص من هذا المنتج مع القمامة المنزلية العادية.



إذا لزم في يوم من الأيام استبدال منتج بلاك أند ديكر الخاص بك، أو إذا لم تعد تستخدمه، فلا تتخلص منه مع القمامة المنزلية الأخرى، بل تأكد من إتاحة هذا المنتج للجمع المنفصل.



## ضمان

تثق بلاك أند ديكر في جودة منتجاتها وتعرض ضماناً طويلاً الأجل.

بيان الضمان هذا يكون بالإضافة إلى حقوقك التي يمنحها القانون ولا يخل بها بأي حال من الأحوال.

يسري الضمان في أقاليم الدول الأعضاء في الاتحاد الأوروبي ومنطقة التجارة الحرة الأوروبية.

في حالة وجود خلل في منتج بلاك أند ديكر بسبب عيب في المواد أو الصناعة أو عدم التوافق مع المعايير، خلال 24 شهراً من تاريخ الشراء، تضمن بلاك أند ديكر استبدال الأجزاء المعيبة وإصلاح المنتجات مع مراعاة التأكل والبلى الطبيعي أو استبدال هذه المنتجات لضمان أقل إزعاج للعميل ما لم:

- ◀ يتم استخدام المنتج في أغراض تجارية أو مهنية أو أغراض تأجير؛
- ◀ يتعرض المنتج لسوء الاستخدام أو الإهمال؛
- ◀ يتعرض المنتج للتلف نتيجة أشياء أو مواد غريبة أو حوادث؛
- ◀ يتم محاولة إصلاح المنتج بواسطة أشخاص غير وكلاء الصيانة المعتمدين أو فريق الصيانة التابع لشركة بلاك أند ديكر.

لتقديم مطالبة بموجب الضمان، سوف تحتاج إلى تقديم دليل الشراء للبيانات أو وكيل الصيانة المعتمد. ويمكنك التعرف على موقع أقرب وكيل صيانة معتمد من خلال الاتصال على مكتب بلاك أند ديكر المحلي في العنوان الموضح في هذا الدليل.

وبدلاً من ذلك، توجد قائمة بوكلاء الصيانة المعتمدين التابعين لشركة بلاك أند ديكر والتفاصيل الكاملة لخدمات ما بعد البيع ووسائل الاتصال الخاصة بنا على الإنترنت على الموقع الإلكتروني: [www.2helpU.com](http://www.2helpU.com).

## Names & Addresses for Black & Decker Service Concessionaries

**AFGHANISTAN:** United (Shekeeb Gulf FZE), Shahr-e-Naw, Charahi Haji Yaqoub, Kabul, Tel.: 075 2000760, Fax: +971-4-8817634.

**ALGERIA:** Sarl Outillage Corporation. 08 Rue Med Boudiaf ex TELLA Achen Cheraga, Alger, Algeria, Tel: 00213-0-21375130, Fax: 00213-0-21369667. **AZERBAIJAN:** Royalton Holdings Ltd. 28 May Street, No. 4, Suite 5, Baku - AZ1001, Tel.: 00994-124935544, Fax: 00994-125980378. **BAHRAIN:** Fawaz Al Zayani, P.O. Box 26563, Adliya, Manama. Tel.: +973-17-715252/712756, Fax: +973-17-713789. **BANGLADESH:** Ultra Corporation, 8, Kushol Centre, Uttara, Dhaka 1230. Tel.: +880-2-8919272/9756 Ext.28, Fax: +880-2-9887167. **EGYPT:** Anasia Egypt for Trading S.A.E., P.O. Box 2443, 110 Mostafa Refaat Street, Sheraton Heliopolis 11361, Cairo. Tel.: +20-2-2684159, Fax: +20-2-2684169. **ETHIOPIA:** Tewfik Sherif & Co. Ltd., P.O. Box 5583, Debre Zeit Road, Addis Ababa. Tel.: +251-1-651700/601, Fax: +251-1-650570. **INDIA:** Gryphon Impex Pvt. Ltd., D-6/4, Okhla Industrial Area, Phase-I, New Delhi-110020. Tel.: +91-11-26372602-4, Fax: +91-11-26372601. **JORDAN:** Bashiti Hardware (Palestine Bldg. Matl.) King Abdulla 2nd street, Opp ELBA House, P.O. Box 1564, Tel.: 00962.6.5349098 ext.11, Fax: 00962.6.5330731. **KENYA:** Zylog Enterprises T/A Leading Concepts. IPS Building, Kaunda Street, PO Box 40877-00100, Nairobi. Tel.: 00254-20-6905000 Fax: 00254-20-6905111. **KUWAIT:** Al Omar Technical Co., P.O.Box 4062, 13041 Safat, Kuwait. Tel.: +965-4848595/0039, Fax: +965-4845652. **LEBANON:** Aces Service Centre (Est. F.A.Ketaneh SA) P.O. Box 90-102, Nahr El Mot, Seaside Highway, Pharaon Building, Beirut. Tel.: 00961 1 898989, Fax: 00961 1 245880. **LIBYA:** North Africa Trading ( El Ghoul Brothers) P.O. Box 348, 7 October Street 11, Benghazi, Tel.: 00218-3388706 Fax: 00218-909 41 23. **MALTA:** John G. Cassar Ltd., 36 Victory Str, Qormi QRM 06, Malta. Tel.: +356-21-493251, Fax: +356-21-483231. **MAURITIUS:** J.M. Goupille & Co. Ltd. Rogers Industrial Park 1. Riche Terre. Mauritius, Tel.: 00230-2069450, Fax: 00230-2483188. **NEPAL:** Universal Trading Centre, P.O.Box 1947, Tripureswor, Kathmandu. Tel.: +977-1-262192/260587/785, Fax: 261154. **NIGERIA:** Dana Electronics Ltd. 116/120, Isolo, Lagos, Nigeria. Tel.: +234-1-7431818. **OMAN:** Oman Marketing & Service Co.(Omasco), P.O. Box 2734, Behind Honda Showroom, Wattayah, Oman. Tel.: 24560232/24560255, Fax: 24560993; Oman Marketing & Service Co. (Omasco) Al Ohi, Sohar, Oman. Tel.: 26846379, Fax: 26846379; Oman Marketing & Service Co. (Omasco) Sanaya, Salalah, Oman. Tel.: 23212290, Fax: 23210936. **PAKISTAN:** Ammar Service & Spares, 60, Bank Arcade, Serai Road, Karachi. Tel.: +92-21-2426905, Fax: 2427214/5243; **Lahore:** Nafees Electronics H.No 2,5/a, Ferozpur Road, Opp. Tamseel Hall, mozang. Lahore. Tel.: 0245092220, Cell: 03004607350. **PHILIPPINES:** Modern House International Enterprises, 213 Rizal Ave. Extension, between 2nd and 3rd Ave. Kalookan City. Tel.: +632 366-4487, Fax: +632-366-4489. **QATAR:** Al Muftah Service Centre P.O.Box 875, Doha, Qatar. Tel.: 4650880, Fax: 4441415. **SAUDI ARABIA:** **Dammam:** Fawaz Ebrahim Al Zayani Trading Est. P.O. Box 76026, Al Raka Dammam, KSA. Tel.: 8140914, Fax: 8140824; **Jeddah:** Banaja Trading Co. Ltd., P.O. Box 366, Jeddah-21411, Tel.: 6511111, Fax: 6503668; **Riyadh:** Banaja Trading Co. Ltd., P.O. Box 566, Riyadh-11421, Tel.: 4124444, Fax: 4033378. **YANBU:** Bin Afif, P.O. Box 530 Yanbu, Al Bahr. Tel.: +966-4-3222626/8867, Fax: +966-4-3222210. **SRI LANKA:** Delmege Gen. Equip. Pvt. Ltd., No. 428/1AT. B., Jaya Mawatha (Darley Road), Colombo-10. Tel.: +94-11-2665914, Fax: +94-11-2665915. **TANZANIA:** General Motors Investment, P.O. Box 16541, 14 Vingunguti Nyerere Road, Dar Es Salaam. Tel.: +255-22-2862661/5022, Fax: +255-22-2862667/5412/3. **TUNISIA:** Société Tunisienne De C Rue de la Physique, Nouvelle Zone Industrielle de Ben Arous-2013 Tunisie. Tel.: 00216-71-386102/ 380620. **UAE:** **Abu-Dhabi:** Light House Electrical P.O. Box 120, Abu Dhabi, Tel.: 6726131, Fax: 6720667; **Dubai:** BLACK & DECKER (OVERSEAS) A.G. P.O. Box 5420, Dubai, Tel.: 8127400/8127406, Fax: 8127069; **Sharjah:** Mc Coy Middle East LLC P.O. Box 25793, Sharjah, Tel.: 5395931, Fax: 5395932; **Ras Al Khaimah:** Mc Coy Middle East LLC P.O. Box 10584, Ras Al Khaimah, Tel.: 2277095, Fax: 2277096. **YEMEN:** Middle East Trading Co. (METCO) 5th Flr Hayel Saeed Anaam Bldg. Al Mogamma St. Taiz, Yemen, Tel.: 00967-4-213455, Fax: 00967-4-219869. **SANA'A:** Middle East Trad. Co. Ltd., P.O. Box 12363, Hayel Street, Sana'a. Tel.: +967-1-204201, Fax: +967-1-204204. **TAIZ:** Middle East Trad. Co. Ltd., Campa area near Al-Kair Mosque, Taiz. Tel.: +967-4-231610/232033, Fax: +967-4-219869.





**WARRANTY REGISTRATION CARD**

YOUR NAME/ الإسم .....

.....

YOUR ADDRESS العنوان .....

.....

.....

POSTCODE الرمز البريدي .....

DATE OF PURCHASE تاريخ الشراء .....

DEALER'S NAME & ADDRESS/ إسم و عنوان البائع .....

.....

.....

PRODUCT MODEL NO. EF2500



## Free Manuals Download Website

<http://myh66.com>

<http://usermanuals.us>

<http://www.somanuals.com>

<http://www.4manuals.cc>

<http://www.manual-lib.com>

<http://www.404manual.com>

<http://www.luxmanual.com>

<http://aubethermostatmanual.com>

Golf course search by state

<http://golfingnear.com>

Email search by domain

<http://emailbydomain.com>

Auto manuals search

<http://auto.somanuals.com>

TV manuals search

<http://tv.somanuals.com>