

DEEP DUTCH™ ELECTRIC SKILLET
POÊLE À FRIRE ÉLECTRIQUE
DEEP DUTCH™

Customer Care Line:

USA/Canada
1-800-231-9786

Accessories/Parts
(USA / Canada)

Accessoires/Pièces
(É.U. / Canada)

1-800-738-0245

For **online customer service**
and to **register** your product, go to
www.prodprotect.com/applica



MODEL/MODÈLE

○ SKG110C

IMPORTANT SAFEGUARDS

When using electrical appliances, basic safety precautions should always be followed, including the following:

- Read all instructions.
- Do not touch hot surfaces. Use handles or knobs.
- To protect against electric shock do not immerse cord, plugs or appliance in water or other liquid.
- Close supervision is necessary when any appliance is used by or near children.
- Unplug from outlet when not in use and before cleaning. Allow to cool before putting on or taking off parts, and before cleaning the appliance.
- Do not operate any appliance with a damaged cord or plug, or after the appliance malfunctions or has been damaged in any manner. Return appliance to the nearest authorized service facility for examination, repair or adjustment. Or, call the appropriate toll-free number on the cover of this manual.
- The use of accessory attachments not recommended by the appliance manufacturer may cause injuries.
- Do not use outdoors.
- Do not let cord hang over edge of table or counter, or touch hot surfaces.
- Do not place on or near a hot gas or electric burner, or in a heated oven.
- Extreme caution must be used when moving an appliance containing hot oil or other hot liquids.
- Always attach plug to appliance first, then plug cord in the wall outlet. To disconnect, turn any control to OFF, then remove plug from wall outlet.
- Do not use appliance for other than intended use.

SAVE THESE INSTRUCTIONS.

This product is for household use only.

GROUNDING PLUG

As a safety feature, this product is equipped with a grounded plug, which will only fit into a three-prong outlet. Do not attempt to defeat this safety feature. Improper connection of the grounding conductor may result in the risk of electric shock. Consult a qualified electrician if you are in doubt as to whether the outlet is properly grounded.

TAMPER-RESISTANT SCREW

Warning: This appliance is equipped with a tamper-resistant screw to prevent removal of the outer cover. To reduce the risk of fire or electric shock, do not attempt to remove the outer cover. There are no user-serviceable parts inside. Repair should be done only by authorized service personnel.

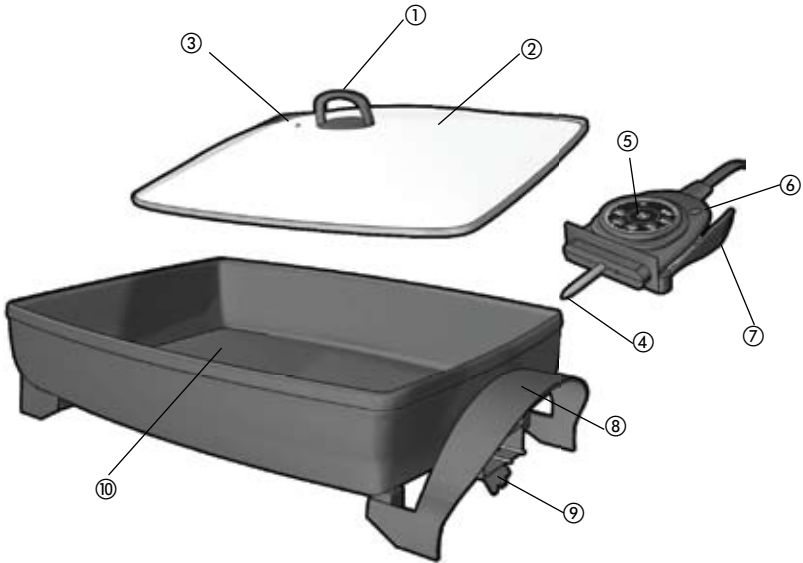
ELECTRICAL CORD

- a) A short power-supply cord is to be provided to reduce the risk resulting from becoming entangled in or tripping over a longer cord.
- b) Longer extension cords are available and may be used if care is exercised in their use.
- c) If an extension cord is used,
 - 1) The marked electrical rating of the cord set or extension cord should be at least as great as the electrical rating of the appliance, and
 - 2) The cord should be arranged so that it will not drape over the countertop or tabletop where it can be pulled on by children or tripped over unintentionally.

If the appliance is of the grounded type, the extension cord should be a grounding-type 3-wire cord.

Note: If the power supply cord is damaged, it should be replaced by qualified personnel or in Latin America by an authorized service center.

Product may vary slightly from what is illustrated.



- 1. Lid handle
- † 2. Tempered glass lid (Part # SKG110-01)
- 3. Steam vent
- 4. Probe
- † 5. Variable temperature control (Part # SKG110-02)
- 6. On indicator light
- 7. Quick-release lever
- 8. Cool-touch handles
- 9. Pan-tilt leg
- 10. Extra deep, nonstick interior

Note: † indicates consumer replaceable/removable parts

How To Use

This appliance is for household use only.

GETTING STARTED

- Remove all packing material and stickers from the product.
- Please go to www.prodprotect.com/applica to register your warranty.
- Remove and save literature.
- Wash and dry all parts as instructed in **CARE AND CLEANING** section of this manual.

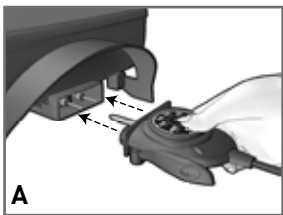
Note: Unplug the cord and remove variable temperature control before cleaning.

- Place appliance on a flat, stable surface.

Note: Use only the temperature control provided with this skillet.

- The cooking capacity of this appliance is 20 cups (5 quarts/4.7 liters).

READY TO COOK



1. Make sure the variable temperature control is set to "Min". Insert the probe firmly into the socket found at the side of the appliance **(A)**.
Be sure the control is securely inserted.

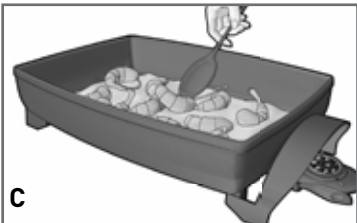
Note: Always attach the control to the pan before plugging into an outlet.



2. Uncoil cord and plug into standard electrical outlet. Turn the variable temperature control to the desired setting. Three things should align on the probe **(B)**:

- The indicator light
- The arrow below the dial
- The selected temperature setting on the dial

3. When the selected temperature is reached, the light goes off. The light will cycle on and off during cooking, indicating the selected cooking temperature is being maintained.



4. To simmer foods, bring the mixture to a boil; then reduce heat to 250°F.
5. Use wooden, nylon or plastic utensils that are suitable for use on hot surfaces **(C)**.

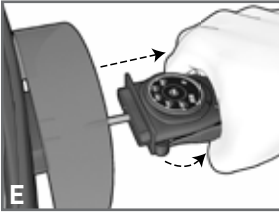
Note: Do not use metal utensils. Do not cut foods in the skillet; it will damage the nonstick surface.

6. Always use hot pads or oven mitts when handling hot skillet. Remember skillet takes several minutes to cool down after use.



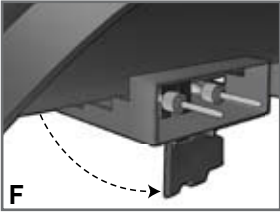
7. When removing lid from skillet, always tilt the lid away when lifting **(D)**.

8. When food is fully cooked, set temperature to WARM setting to keep food at serving temperature.



9. To use skillet for table service, unplug appliance. To remove the variable temperature control probe, hold the cool-touch handle on to the side of the skillet. Press the quick-release lever and pull out the control **(E)**.

USING THE ADJUSTABLE PAN-TILT LEG



This skillet is designed for:

- healthy cooking
- easy cleanup

To set the pan-tilt leg in position, tilt the skillet before preheating by putting the leg straight down under the cool-touch handle **(F)**. The drippings and oil will flow to the tilted side of the skillet and away from the food.



Whenever the pan is hot be sure to protect hands by using a hot pad or glove when aligning or releasing the lift **(G)**.

GETTING THE MOST FROM YOUR SKILLET

A few guidelines to give great cooking results and prolong the life of your skillet:

- It is not necessary to use high heat when browning or frying foods. The heat distribution is so efficient medium heat is sufficient.
- Use only wood, plastic or nylon utensils that are suitable for hot surfaces. Do not use metal utensils.
- Do not use aerosol nonstick cooking spray on the cooking surface of the skillet.
- Use olive oil or butter, if desired. Neither is necessary; the foods will cook on the nonstick surface without sticking.
- Do not cut foods in the skillet; it will damage the nonstick surface.
- Allow pan to return to room temperature before cleaning.
- When storing the skillet, line the cooking surface with paper towels to preserve the nonstick finish.

SUGGESTED COOKING CHART

FOOD	TEMPERATURE	APPROXIMATE COOKING TIME
Eggs (fried)	300°F	3 to 5 minutes
Eggs (scrambled)	325°F	3 to 5 minutes
Pancakes	375°F	2 to 3 minutes per side
French Toast	325°F	2 to 4 minutes per side
Grilled cheese sandwiches	325°F	7 to 9 minutes
Hamburgers (5 to 6 oz.)	375°F	4 to 8 minutes for rare 9 to 11 minutes for medium
Sausage	350°F	12 to 14 minutes
Cubed steak	375°F	3 to 5 minutes
Pork chops	350°F	15 to 20 minutes
Potatoes (country fried)	325°F	12 to 15 minutes
Fish fillets (breaded and shallow fried)	350°F	5 to 7 minutes

Care and Cleaning

This product contains no user serviceable parts. Refer service to qualified service personnel.

To Clean:

1. Unplug the cord, remove the variable temperature control by pulling it straight out. Wait for appliance to cool completely before cleaning.

Caution: Be careful when removing the variable temperature control; it may be hot after use.

2. Wash the pan and lid with hot sudsy water. The lid can be washed on both the upper and lower racks of the dishwasher.
3. If washing by hand, use a sponge or nylon scouring pad with liquid detergent. Do not use any abrasive cleaners or metal pads as they can damage the nonstick coating.
4. Rinse and dry.

To Store:

1. Store the unit in a dry place and wind electric cord into a coil securing it with a twist fastener.
2. To preserve the nonstick finish on the skillet, line the cooking surface with paper towels before placing any other item in the skillet.

RECIPES

SAUTÉED TILAPIA WITH GINGERED PINEAPPLE SAUCE

- 1 cup thinly sliced purple onion
- 2 tbsp. butter or margarine
- 1½ cup pineapple juice
- 2 tbsp. lime juice
- 1/2 cup halved seedless green grapes
- 1 orange, peeled, cut in half and sliced
- 1 cup cubed mango
- 2 tbsp. slivered orange peel
- 1 tbsp. grated fresh ginger
- 1/2 tsp. salt
- 1/4 tsp. pepper
- 6 tilapia fillets (about 1½ lbs.)
- 1 tbsp. cornstarch
- Hot cooked rice

Heat Black & Decker® electric skillet to 350°F. Cook onion in 1 tbsp. butter for 3 minutes, stirring occasionally. Add 1¼ cups pineapple juice and lime juice. Stir in grapes, orange pieces, mango, orange peel, ginger salt and pepper.

Cook 3 minutes longer, stirring occasionally.

Blend remaining 1/4 cup pineapple juice with cornstarch. Stir into pineapple juice mixture and cook, stirring, until thickened and smooth. Remove to bowl and keep warm.

Raise temperature to 375°F. Add remaining tablespoon butter to skillet and cook fish until golden on both sides and fully cooked.

Return sauce to skillet and heat through.

Serve over rice and garnish with sliced toasted almonds, if desired.

Makes 6 servings.

SAUTÉED SHRIMP WITH PESTO

2½ lbs. shrimp
1 large Vidalia onion, halved and thinly sliced
2 tbsp. butter or margarine
1 large red pepper, seeded and cut into 2-inch strips
3 large cloves garlic, minced
1 bottle (8 oz.) clam juice
1/2 cup fresh lemon juice
2 tbsp. jarred traditional basil pesto
2 tbsp. grated lemon peel
1 bay leaf
1 tsp. salt
1/2 tsp. coarse ground pepper
Hot cooked rice
Chopped parsley

Shell shrimp, leaving tail on and devein. Refrigerate until ready to use.

Heat Black & Decker® electric skillet to 350°F. Cook onion in butter for 3 minutes, stirring occasionally. Add red pepper and garlic. Cook 3 minutes longer, stirring occasionally. Add next 7 ingredients. Stir in shrimp. Bring to a boil. Reduce heat to 250°F. Cover and let simmer for 5 minutes or until shrimp are fully cooked; stir occasionally.

Serve over rice and garnish with parsley, if desired.

Makes about 8 servings.

PORK 'N SALSA STEW

2½ lbs. boneless pork loin, cut in ¾-inch cubes

2½ cups chicken broth

1 cup salsa

2 tbsp. tomato paste

2 large cloves garlic, minced

½ tsp. ground cumin

½ tsp coarse ground pepper

1 bag (16 oz.) frozen shelled edamame

1 bunch green onions, cut in ½-inch pieces

2 tbsp. cornstarch

Hot cooked rice

Coarsely chopped cashews

Heat Black & Decker® electric skillet to 350°F. Add pork and brown well on all sides. Stir in 2 cups chicken broth and next 5 ingredients. Bring to a boil. Reduce heat to 250°F. Cover and let simmer for 45 minutes; stir occasionally. Add edamame and green onions and cook 10 minutes longer or until meat and vegetables are tender.

Blend remaining ½ cup chicken broth with cornstarch. Increase heat in skillet to 350°F. Stir cornstarch mixture into skillet and cook, stirring until thickened and smooth.

To serve, spoon over rice and garnish with cashews.

Makes 6 to 8 servings.

NEED HELP?

For service, repair or any questions regarding your appliance, call the appropriate 800 number on cover of this book. Please **DO NOT** return the product to the place of purchase. Also, please **DO NOT** mail product back to manufacturer, nor bring it to a service center. You may also want to consult the website listed on the cover of this manual.

Two-Year Limited Warranty

(Applies only in the United States and Canada)

What does it cover?

- Any defect in material or workmanship provided; however, Applica's liability will not exceed the purchase price of product.

For how long?

- Two years after date of purchase.

What will we do to help you?

- Provide you with a reasonably similar replacement product that is either new or factory refurbished.

How do you get service?


- Save your receipt as proof of date of sale.
- Visit the online service website at www.prodprotect.com/applica, or call toll-free 1-800-231-9786, for general warranty service.
- If you need parts or accessories, please call 1-800-738-0245.

What does your warranty not cover?

- Damage from commercial use
- Damage from misuse, abuse or neglect
- Products that have been modified in any way
- Products used or serviced outside the country of purchase
- Glass parts and other accessory items that are packed with the unit
- Shipping and handling costs associated with the replacement of the unit
- Consequential or incidental damages (Please note, however, that some states do not allow the exclusion or limitation of consequential or incidental damages, so this limitation may not apply to you.)

How does state law relate to this warranty?

- This warranty gives you specific legal rights. You may also have other rights that vary from state to state or province to province.

 **BLACK & DECKER** is a trademark of The Black & Decker Corporation, Towson, Maryland, USA

Made in People's Republic of China
Printed in People's Republic of China

Veillez lire et conserver ce guide d'entretien et d'utilisation.

IMPORTANTES CONSIGNES DE SECURITE

Lorsqu'on utilise des appareils électriques, il faut toujours respecter certaines règles de sécurité fondamentales, notamment les suivantes :

- Lire toutes les directives.
- Ne pas toucher aux surfaces chaudes; utiliser les poignées et les boutons.
- Afin d'éviter les risques de choc électrique, ne pas immerger le cordon, la fiche ou l'appareil dans l'eau ou tout autre liquide.
- Exercer une étroite surveillance lorsque l'appareil est utilisé par un enfant ou près d'un enfant.
- Débrancher l'appareil lorsqu'il ne sert pas ou avant de le nettoyer. Laisser l'appareil refroidir avant d'y placer ou d'en retirer des composantes, et de le nettoyer.
- Ne pas utiliser un appareil dont la fiche ou le cordon est abîmé, qui fonctionne mal ou qui a été endommagé de quelque façon que ce soit. Pour un examen, une réparation ou un réglage, rapporter l'appareil à un centre de service autorisé. Ou composer le numéro sans frais inscrit sur la page couverture du présent guide.
- L'utilisation d'accessoires non recommandés par le fabricant de l'appareil peut occasionner des blessures.
- Ne pas utiliser l'appareil à l'extérieur.
- Ne pas laisser pendre le cordon sur le bord d'une table ou d'un comptoir ni le laisser entrer en contact avec une surface chaude.
- Ne pas placer l'appareil sur le dessus ou près d'un élément chauffant électrique ou à gaz ni dans un four chaud.
- Faire preuve de grande prudence pour déplacer un appareil contenant de l'huile brûlante ou autre liquide chaud.
- Toujours brancher la fiche de l'appareil d'abord, puis brancher le cordon dans la prise murale. Pour débrancher l'appareil, placer toutes les commandes à la position « off » (arrêt) et retirer la fiche de la prise.
- Utiliser l'appareil uniquement aux fins pour lesquelles il a été conçu.

CONSERVER CES INSTRUCTIONS.

L'appareil est conçu pour une utilisation domestique seulement.

FICHE MISE À LA TERRE

Par mesure de sécurité, le produit comporte une fiche mise à la terre qui n'entre que dans une prise à trois trous. Il ne faut pas neutraliser ce dispositif de sécurité. La mauvaise connexion du conducteur de terre présente des risques de secousses électriques. Communiquer avec un électricien certifié lorsqu'on se demande si la prise est bien mise à la terre.

VIS INDESSERRABLE

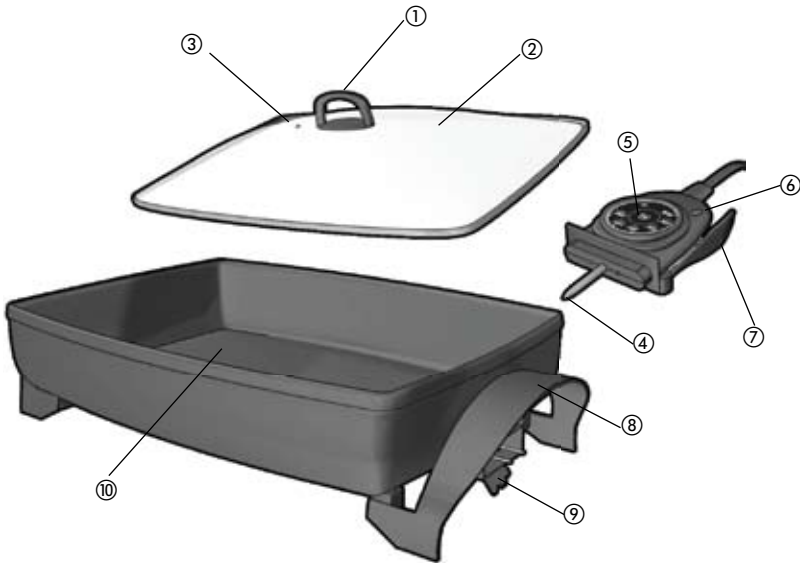
Avertissement : L'appareil est doté d'une vis indesserrable empêchant l'enlèvement du couvercle extérieur. Pour réduire les risques d'incendie ou de secousses électriques, ne pas tenter de retirer le couvercle extérieur. L'utilisateur ne peut pas remplacer les pièces de l'appareil. En confier la réparation seulement au personnel des centres de service autorisés

CORDON ÉLECTRIQUE

- a) Le cordon d'alimentation de l'appareil est court (ou amovible) afin de minimiser les risques d'enchevêtrement ou de trébuchement.
- b) Il existe des cordons d'alimentation amovibles ou de rallonge plus longs et il faut s'en servir avec prudence.
- c) Lorsqu'on utilise un cordon d'alimentation amovible ou de rallonge plus long, il faut s'assurer que :
 - 1) La tension nominale du cordon d'alimentation amovible ou de rallonge soit au moins égale à celle de l'appareil, et que;
 - 2) Lorsque l'appareil est de type mis à la terre, il faut utiliser un cordon de rallonge mis à la terre à trois broches, et;
 - 3) Le cordon plus long soit placé de sorte qu'il ne soit pas étalé sur le comptoir ou la table d'où des enfants pourraient le tirer, ni placé de manière à provoquer un trébuchement.

Note : Lorsque le cordon d'alimentation est endommagé, il faut le faire remplacer par du personnel qualifié ou, en Amérique latine, par le personnel d'un centre de service autorisé.

Le produit peut différer légèrement de celui illustré.



- 1. Poignée du couvercle
 - † 2. Couvercle en verre trempé (no de pièce SKG110-01)
 - 3. Évén
 - 4. Sonde
 - † 5. Commande de température réglable (no de pièce SKG110-02)
 - 6. Témoin lumineux de fonctionnement
 - 7. Levier à dégagement rapide
 - 8. Poignées froides au toucher
 - 9. Patte d'inclinaison de la poêle
 - 10. Intérieur antiadhésif très profond
- Remarque : † indique que la pièce est remplaçable par l'utilisateur/amovible

Utilisation

L'appareil est conçu pour une utilisation domestique uniquement.

POUR COMMENCER

- Retirer le matériau d'emballage et les autocollants posés sur l'appareil.
- Veuillez aller à l'adresse www.prodprotect.com/applica pour enregistrer votre garantie.
- Retirer et mettre de côté les instructions.
- Laver toutes les pièces amovibles en suivant les recommandations de la section **Entretien et nettoyage** du présent guide.

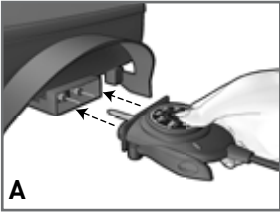
Remarque : Débrancher le cordon d'alimentation, retirer la commande de température réglable avant de le nettoyer.

- Déposer le récipient sur une surface plane et stable.

Remarque : Utiliser seulement la commande de température fournie avec cette poêle.

- La capacité de cuisson de cet appareil est de 24 tasses, 6 pintes ou 5,7 litres.

PRÉPARATION À LA CUISSON



1. S'assurer que la commande de température réglable est réglée à réglage MIN. Insérer solidement la sonde dans la douille sur le côté de l'appareil **(A)**. **S'assurer que la sonde est bien insérée.**

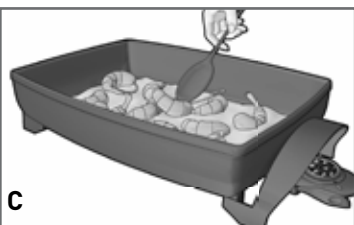
Remarque : Toujours fixer la commande de température à la poêle avant de brancher l'appareil dans une prise.



2. Dérouler le cordon d'alimentation et brancher la fiche dans une prise de courant standard. Régler la commande de température à la température voulue. Les trois composants suivants devraient être alignés avec la sonde **(B)** :

- le témoin lumineux;
- la flèche sous le cadran;
- la température sélectionnée sur le cadran.

3. Lorsque la température sélectionnée est atteinte, le témoin lumineux s'éteint. Le témoin lumineux s'allumera et s'éteindra au cours de la cuisson, indiquant ainsi que la température de cuisson sélectionnée est maintenue.
4. Pour faire mijoter les aliments, porter à ébullition et réduire la température à 121 °C(250° F).



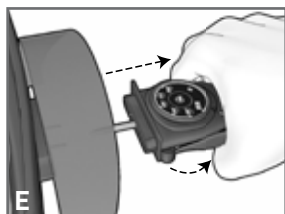
5. Utiliser des ustensiles de bois, de nylon ou de plastique qui résistent à la chaleur **(C)**.

Remarque : Ne pas utiliser des ustensiles de métal. Ne pas couper les aliments dans la poêle, car cela endommagera le revêtement antiadhésif de la poêle.

6. Toujours utiliser des poignées ou des mitaines isolantes lors de la manipulation de la poêle chaude. Après avoir servi, la poêle prendra quelques minutes à refroidir.



7. Lorsqu'on soulève le couvercle de la poêle, il faut toujours l'incliner vers l'extérieur **(D)**.
8. Lorsque les aliments sont cuits, on peut régler la température à réchaud (WARM) pour conserver la chaleur des aliments.

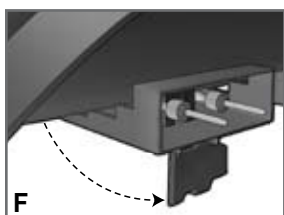


9. Débrancher l'appareil pour faire le service à la table. Pour retirer la sonde de commande de la température, tenir la poignée froide au toucher sur le côté de la poêle. Appuyer sur le levier à dégagement rapide et retirer la commande **(E)**.

UTILISER LA PATTE D'INCLINAISON AMOVIBLE

Cette poêle est conçue pour :

- une cuisson santé;
- un nettoyage facile.



Pour mettre en place la patte d'inclinaison de la poêle, relever la patte à la verticale située sous la poignée froide au toucher, avant de préchauffer la poêle **(F)**.

Les graisses et l'huile se retrouveront du côté incliné de la poêle, donc à l'écart des aliments.



Quand la poêle est chaude, utiliser des poignées ou des mitaines isolantes pour se protéger les mains lors du réglage ou du dégagement de la patte d'inclinaison **(G)**.

OBTENIR LE RENDEMENT OPTIMAL DE LA POÊLE

Quelques conseils pour obtenir de bons résultats de cuisson et pour prolonger la durée de vie de la poêle :

- Il n'est pas nécessaire d'utiliser une température très élevée pour dorer ou frire les aliments. La distribution de la chaleur est assez efficace; une température moyenne sera donc suffisante.
- Utiliser seulement des ustensiles de bois, de plastique ou de nylon résistants à la chaleur. Ne pas utiliser d'ustensiles en métal.
- Ne pas utiliser d'antiadhésif en vaporisateur sur la surface de cuisson de la poêle.
- Utiliser de l'huile d'olive ou du beurre au goût. Ni l'un ni l'autre n'est nécessaire, car les aliments cuiront sans coller à la surface.
- Ne pas couper les aliments dans la poêle, car cela endommagera le revêtement antiadhésif.
- Laisser la poêle refroidir jusqu'à la température de la pièce avant de la nettoyer.
- Ranger la poêle avec un papier essuie-tout sur la surface de cuisson pour protéger son revêtement antiadhésif.

TABLEAU DE CUISSON SUGGÉRÉ

ALIMENT	TEMPÉRATURE	TEMPS APPROXIMATIF DE CUISSON
Œufs (poêlés)	149° C (300° F)	3 à 5 minutes
Œufs (brouillés)	163° C (325° F)	3 à 5 minutes
Crêpes	190° C (375° F)	2 à 3 minutes per side
Pains dorés	163° C (325° F)	2 à 4 minutes per side
Sandwich au fromage grillé	163° C (325° F)	7 à 9 minutes
Hamburgers (142 g à 170 g [5 à 6 oz])	190° C (375° F)	4 à 8 minutes per rare 9 à 11 minutes per medium
Saucisses	177° C (350° F)	12 à 14 minutes
Cubes de steak	190° C (375° F)	3 à 5 minutes
Côtelettes de porc	177° C (350° F)	15 à 20 minutes
Pommes de terre (rissolées)	163° C (325° F)	12 à 15 minutes
Filets de poisson (panés et frits)	177° C (350° F)	5 à 7 minutes

Entretien et nettoyage

L'utilisateur ne peut effectuer lui-même l'entretien d'aucune pièce de cet appareil. Confier l'entretien à un technicien qualifié.

Pour nettoyer :

1. Débrancher le cordon d'alimentation, retirer la commande de température réglable en tirant. Attendre que l'appareil refroidisse complètement avant de le nettoyer.

Mise en garde : Porter une attention particulière à la commande de température réglable, car elle peut encore être chaude.

2. Laver la poêle et le couvercle avec de l'eau chaude savonneuse. Le couvercle peut être lavé au lave-vaisselle soit dans le panier du haut, soit dans celui du bas.
3. Si l'appareil est lavé à la main, utiliser une éponge ou un tampon à récurer en nylon avec du détergent liquide. N'utiliser aucun produit nettoyant abrasif ou tampon à récurer en métal, car ils pourraient endommager le revêtement antiadhésif.
4. Rincer et sécher.

Pour ranger :

1. Ranger l'appareil dans un endroit sec. Enrouler le cordon d'alimentation et l'attacher avec une attache en spirale.
2. Pour conserver le revêtement antiadhésif de la poêle, ranger la poêle avec un papier essuie-tout sur la surface de cuisson avant d'y mettre d'autres objets.

RECETTES

TILAPIA SAUTÉ À LA SAUCE À L'ANANAS ET AU GINGEMBRE

- 250 ml (1 tasse) d'oignon rouge tranché finement
- 30 ml (2 c. à table) de beurre ou de margarine
- 375 ml (1½ tasse) de jus d'ananas
- 30 ml (2 c. à table) de jus de lime
- 125 ml (1/2 tasse) de raisins verts sans pépins coupés en deux
- 1 orange pelée, coupée en deux et tranchée
- 250 ml (1 tasse) de mangue en cubes
- 30 ml (2 c. à table) de zeste d'orange
- 15 ml (1 c. à table) de gingembre frais râpé
- 2,5 ml (1/2 c. à thé) de sel
- 1,25 ml (1/4 c. à thé) de poivre
- 6 filets de tilapia (environ 700 g [1½ lb])
- 15 ml (1 c. à table) d'amidon de maïs
- Riz cuit chaud

Chauffer la poêle électrique Black & Decker^{MD} à 175° C (350° F). Faire revenir l'oignon dans 15 ml (1 c. à table) de beurre pendant 3 minutes en remuant de temps à autre. Ajouter 325 ml (1¼ tasse) de jus d'ananas et le jus de lime. Ajouter les raisins, les morceaux d'orange, la mangue, le zeste d'orange, le gingembre, le sel et le poivre. Cuire 3 minutes de plus en remuant de temps à autre.

Mélanger les 60 ml (1/4 tasse) de jus d'ananas restant avec l'amidon de maïs. Incorporer au mélange de jus d'ananas puis cuire en remuant jusqu'à l'obtention d'une consistance lisse et épaisse. Verser dans un bol et garder au chaud. Augmenter la température à 190° C (375° F). Ajouter les 15 ml (1 c. à table) de beurre restant dans la poêle et cuire les filets de poisson jusqu'à ce qu'ils soient dorés des deux côtés et bien cuits.

Chauffer la sauce dans la poêle.

Servir sur un lit de riz et garnir de tranches d'amandes rôties si désiré.

Donne 6 portions.

CREVETTES SAUTÉES AU PESTO

1,1 kg (2½ lb) de crevettes

1 gros oignon Vidalia coupé en deux et tranché finement

30 ml (2 c. à table) de beurre ou de margarine

1 gros poivron rouge épépiné et coupé en lanières de 5 cm (2 po)

3 grosses gousses d'ail émincées

1 bouteille de 250 ml (8 oz) de jus de palourdes

125 ml (1/2 tasse) de jus de citron frais

30 ml (2 c. à table) de pesto traditionnel au basilic en pot

30 ml (2 c. à table) de zeste de citron râpé

1 feuille de laurier

5 ml (1 c. à thé) de sel

2,5 ml (1/2 c. à thé) de poivre grossièrement moulu

Riz cuit chaud

Persil haché

Décortiquer les crevettes en laissant la queue et les déveiner. Réfrigérer jusqu'à l'utilisation.

Chauffer la poêle à frire électrique Black & Decker^{MD} à 175° C (350° F).

Faire cuire l'oignon dans le beurre pendant 3 minutes en remuant de temps à autre. Ajouter le poivron rouge et l'ail. Cuire 3 minutes de plus en remuant de temps à autre. Ajouter les 7 ingrédients suivants. Ajouter les crevettes. Porter à ébullition, puis réduire le feu à 120° C (250° F). Couvrir et laisser mijoter pendant 5 minutes ou jusqu'à ce que les crevettes soient bien cuites. Remuer de temps à autre.

Servir sur un lit de riz et garnir de persil si désiré.

Donne environ 8 portions.

RAGOÛT DE PORC À LA SALSA

1,1 kg (2½ lb) de longe de porc désossée en cubes de 2 cm (¾ po)

625 ml (2½ tasses) de bouillon de poulet

250 ml (1 tasse) de salsa

30 ml (2 c. à table) de pâte de tomate

2 grosses gousses d'ail émincées

2,5 ml (½ c. à thé) de cumin moulu

2,5 ml (½ c. à thé) de poivre grossièrement moulu

1 sac de 450 g (16 oz) de fèves de soya edamame congelées et décortiquées

1 botte (environ 250 ml [1 tasse]) d'oignon vert tranché en morceaux de 4 cm (1½ po)

30 ml (2 c. à table) d'amidon de maïs

Riz cuit chaud

Noix de cajou grossièrement hachées

Chauffer la poêle à frire électrique Black & Decker^{MD} à 175° C (350° F).

Ajouter le porc et bien dorer sur tous les côtés. Ajouter 500 ml (2 tasses)

de bouillon de poulet et les 5 ingrédients suivants. Porter à ébullition,

puis réduire le feu à 120° C (250° F). Couvrir et laisser mijoter pendant 45

minutes en remuant de temps à autre. Ajouter les fèves de soya edamame et les oignons verts et cuire 10 minutes de plus ou jusqu'à ce que la viande et les légumes soient tendres.

Mélanger les 125 ml (½ tasse) de bouillon de poulet restant avec l'amidon

de maïs. Augmenter la température de la poêle à 175° C (350° F). Verser

le mélange dans la poêle et cuire en remuant jusqu'à consistance lisse et épaisse.

Servir sur un lit de riz et garnir de noix de cajou.

Donne de 6 à 8 portions.

BESOIN D'AIDE?

Pour communiquer avec les services d'entretien ou de réparation, ou pour adresser toute question relative au produit, composer le numéro sans frais approprié indiqué sur la page couverture. Ne pas retourner le produit où il a été acheté. Ne pas poster le produit au fabricant ni le porter dans un centre de service. On peut également consulter le site web indiqué sur la page couverture.

Garantie limitée de deux ans

(Valable seulement aux États-Unis et au Canada)

Quelle est la couverture?

- Tout défaut de main-d'oeuvre ou de matériau; toutefois, la responsabilité de la société Applica se limite au prix d'achat du produit.

Quelle est la durée?

- Deux ans après l'achat original.

Quelle aide offrons nous?

- Remplacement par un produit raisonnablement semblable nouveau ou réusiné.

Comment se prévaut-on du service?


- Conserver son reçu de caisse comme preuve de la date d'achat.
- Visiter notre site web au www.prodprotect.com/applica, ou composer sans frais le 1 800 231-9786, pour obtenir des renseignements généraux relatifs à la garantie.
- On peut également communiquer avec le service des pièces et des accessoires au 1 800 738-0245.

Qu'est-ce que la garantie ne couvre pas?

- Des dommages dus à une utilisation commerciale.
- Des dommages causés par une mauvaise utilisation ou de la négligence.
- Des produits qui ont été modifiés.
- Des produits utilisés ou entretenus hors du pays où ils ont été achetés.
- Des pièces en verre et tout autre accessoire emballés avec le produit.
- Les frais de transport et de manutention reliés au remplacement du produit.
- Des dommages indirects (il faut toutefois prendre note que certains états ne permettent pas l'exclusion ni la limitation des dommages indirects).

Quelles lois régissent la garantie?

- Les modalités de la présente garantie donnent des droits légaux spécifiques. L'utilisateur peut également se prévaloir d'autres droits selon l'état ou la province qu'il habite.

 **BLACK & DECKER**, Marque de commerce déposée de la société The Black & Decker Corporation, Towson, Maryland, É.-U.

Fabriqué en République populaire de Chine

Imprimé en République populaire de Chine

Download from Www.Somanuals.com. All Manuals Search And Download.



Copyright © 2009 Applica Consumer Products, Inc.

2009/8-19-38E/F



Printed on recycled paper.
Imprimé sur du papier recyclé.

Free Manuals Download Website

<http://myh66.com>

<http://usermanuals.us>

<http://www.somanuals.com>

<http://www.4manuals.cc>

<http://www.manual-lib.com>

<http://www.404manual.com>

<http://www.luxmanual.com>

<http://aubethermostatmanual.com>

Golf course search by state

<http://golfingnear.com>

Email search by domain

<http://emailbydomain.com>

Auto manuals search

<http://auto.somanuals.com>

TV manuals search

<http://tv.somanuals.com>