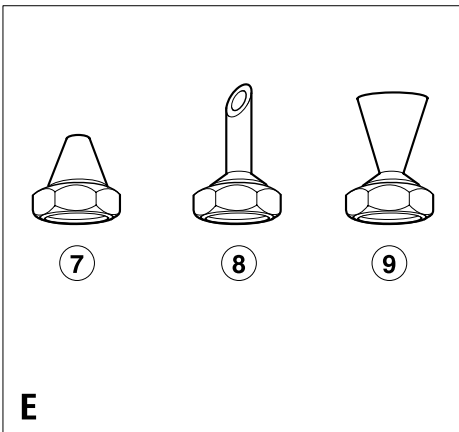
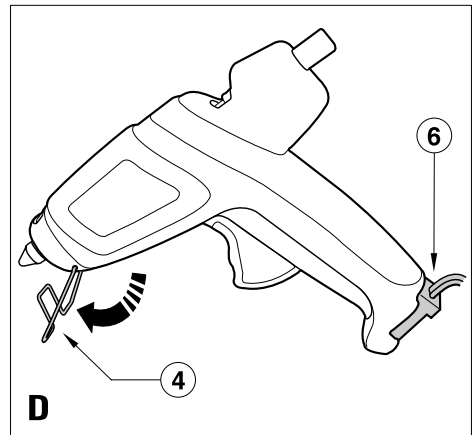
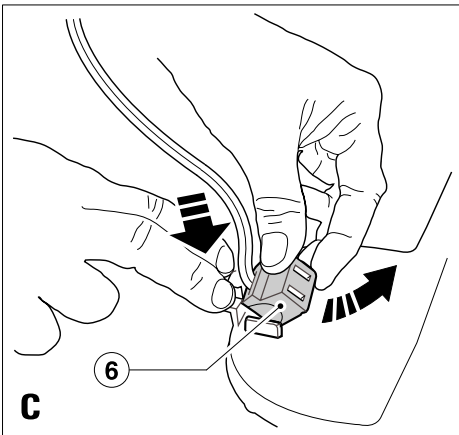
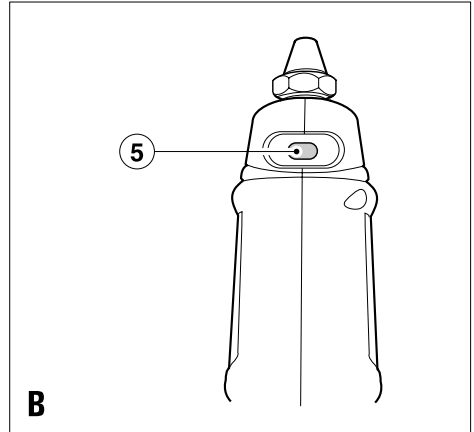
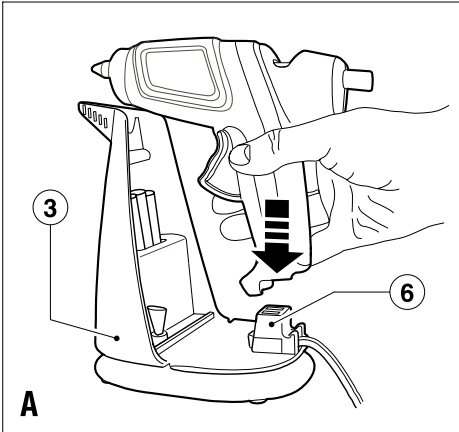


UK

Ireland

Australia

New Zealand



Intended use

Your Black & Decker Glue Gun has been designed for leisure and DIY activities in the home to join materials together including paper, card and material.

This tool is intended for consumer use only.

Safety instructions

Warning! When using mains-powered appliances, basic safety precautions, including the following, should always be followed to reduce the risk of fire, electric shock, personal injury and material damage.

- ◆ Read all of this manual carefully before using the appliance.
- ◆ The intended use is described in this manual. The use of any accessory or attachment or the performance of any operation with this appliance other than those recommended in this instruction manual may present a risk of personal injury.
- ◆ Retain this manual for future reference.

Using your appliance

- ◆ Keep work area clean and well lit. Cluttered and dark areas invite accidents.
- ◆ Do not expose the appliance to rain or wet conditions. Water entering the appliance will increase the risk of electric shock.
- ◆ Stay alert, watch what you are doing and use common sense when operating the appliance. Do not use a power tool while you are tired or under the influence of drugs, alcohol or medication. A moment of inattention while operating power tools may result in serious personal injury.
- ◆ Never pull the power supply cord to disconnect the plug from the socket. Keep the power supply cord away from heat, oil and sharp edges.
- ◆ If the power supply cord is damaged during use, disconnect the appliance from the power supply immediately. Do not touch the power supply cord before disconnecting from the power supply.
- ◆ Disconnect the appliance from the power supply when not in use, before fitting or removing parts and before cleaning.

Safety of others

- ◆ Do not allow children or any person unfamiliar with these instructions to use the appliance.
- ◆ Do not allow children or animals to come near the work area or to touch the appliance or power supply cord. Close supervision is necessary when the appliance is used near children.

After use

- ◆ Switch off and remove the plug from the socket before leaving the appliance unattended and before changing, cleaning or inspecting any parts of the appliance.
- ◆ When not in use, the appliance should be stored in a dry place. Children should not have access to stored appliances.

Inspection and repairs

- ◆ Before use, check the appliance for damaged or defective parts. Check for breakage of parts, damage to switches and any other conditions that may affect its operation.
- ◆ Do not use the appliance if any part is damaged or defective.
- ◆ Have any damaged or defective parts repaired or replaced by an authorised repair agent.
- ◆ Before use, check the power supply cord for signs of damage, ageing and wear.
- ◆ Do not use the appliance if the power supply cord or mains plug is damaged or defective.
- ◆ If the power supply cord or mains plug is damaged or defective it must be repaired by an authorised repair agent in order to avoid a hazard. Do not cut the power supply cord and do not attempt to repair it yourself.
- ◆ Never attempt to remove or replace any parts other than those specified in this manual.

Specific safety instructions for glue guns

Warning! This appliance must be placed on the stand when not in use.

DO NOT TOUCH THE HEATED nozzle of the Glue Gun.

The operating temperature of this appliance is approximately 199°C.

Keep hands away from the heated attachment and work area. Heat may be conducted through the work piece. Use clamps or pliers to hold the work piece.

The heating element will begin to heat up as soon as the appliance is plugged in. To avoid injury or damage to property always assume that the appliance is hot and return it to the stand.

Protect the work surface and materials from heat damage. Heat may be conducted through the work piece. Use a heat resistant material to protect the work surface.

Glue sticks are not intended for ingestion and should not come in contact with food, etc. If swallowed, seek medical attention. Keep out of the reach of children.

Before cleaning, adjustment or changing the attachments. Unplug the appliance and allow the attachment to cool.

Never attempt to force cool the appliance after use by immersing any part of it in water or any other liquid. Allow the appliance to air cool only.

Keep the appliance away from all flammable material.

Be aware that this product may ignite material. Where this is a concern, test a piece of scrap material.

Never leave the appliance plugged in and unattended.

After use, unplug the appliance, allow the attachment to cool and store in a safe place out of the reach of children.

Fumes resulting from heating materials for craft activities may be hazardous. Always work in a well ventilated area. Seek advice on the materials being used.

Never attempt to insert any material other than recommended glue sticks, sealer, or caulk sticks in the glue gun. For example: Do not attempt to melt crayons or candles.

DO NOT use hot melt glue to take the place of structural fasteners.

The glue sticks used with this glue gun will begin to soften at about 60°C. Don't use the glue on objects or materials that are subjected to heat.

Avoid accidental glue discharge. Forcing glue sticks into an unheated appliance may damage the appliance or cause hot glue to be unexpectedly expelled from nozzle when the operating temperature is achieved. Glue may discharge from a heated appliance without pressure applied to the trigger (1). Return the appliance to the stand and use a heat resistant material to protect the work surface.

This appliance is not a toy. Keep out of the reach of children.

Safety symbols marked on appliance



Hot surface do not touch.



Appliance only to be used with the stand supplied.

Electrical safety



This appliance is double insulated; therefore no earth wire is required. Always check that the power supply corresponds to the voltage on the rating plate.

This appliance is not intended for use by young or infirm persons without supervision. Children must be supervised to ensure they do not play with the appliance.

If the supply cord is damaged, it must be replaced by the manufacturer or an authorised Black & Decker Service Centre in order to avoid a hazard.

Features

1. Trigger
2. Handle
3. Stand
4. Wire stand
5. Ready for use indicator

Assembly

Warning! Before cleaning, adjustment or changing the attachments. Unplug the appliance and allow the attachment to cool.

Power connection (fig. A & B)

The appliance can be used either in cordless or corded mode. In cordless mode the power supply is taken from the stand (3) to heat the element. This is suitable for small tasks where a small amount of glue is required.

The heating element will start to cool as soon as the appliance is removed from the stand (3). When the ready for use indicator (5) changes to grey, or when the glue is no longer flowing freely, return the appliance to the stand (3).

In corded mode the connector (6) can be removed from the stand (3) and inserted directly into the appliance. This is suitable for heavy duty tasks.

Changing from cordless to corded operating mode (fig. C & D)

- ◆ Remove the plug from the socket.
- ◆ Push down on the two tabs in front of the connector (6) as shown.
- ◆ Rotate the connector (6) toward the inside of the stand (3) and lift the receptacle and cord out of the holder.
- ◆ Rotate the wire stand (4) forward (fig. D).
- ◆ Insert the connector (6) into the handle (2) of the appliance (cord facing the back of the unit).

Changing from corded to cordless operating mode

- ◆ Remove the plug from the power supply socket.
- ◆ Remove the connector (6) from the handle (2) of the appliance.
- ◆ With the cable facing the rear of the stand (3) and the connections upwards insert the front of the connector (6) into the stand (3) location.
- ◆ Push the rear of the connector (6) down to lock it in position.

Fitting and removal of a glue tip attachment (fig. E)

There are three different attachments:

- ◆ Standard (7)
- ◆ Extended angle (8)
- ◆ Wide (9)
- ◆ A wrench is included to change the attachment; it is stored in the stand (3).

- ◆ Use the wrench to rotate the glue tip attachment anti clockwise.

Removing and changing attachments

- ◆ Install the attachment and rotate it clockwise to tighten.

Fitting a glue stick

Replacement glue sticks are available from your Black & Decker dealer (cat. no. X72020-QZ)

- ◆ Insert a stick of hot melt glue into the inlet tube located at the rear of the appliance.
- ◆ Gently squeeze the trigger (1) to locate the glue stick firmly in position. Place the appliance into the stand (3) (Fig. A).
- ◆ On first use, the glue stick may be completely inserted into the appliance. A second glue stick may be required.

Warning! Do not attempt to remove an unused portion of a glue stick from the appliance.

Use

Warning! Be aware that this product may ignite material. Where this is a concern, test a piece of scrap material.

This appliance will become quite warm during use. This is normal and does not indicate a problem. Avoid contact with the tip housing and attachment.

Turning the appliance on

Do not turn the appliance on without a glue stick fitted.

- ◆ To turn the appliance on, insert the plug into an appropriate socket. The heating element will begin to heat up as soon as the appliance is plugged in.
- ◆ Wait until the ready for use indicator (5) turns from grey to red (Fig B).
- ◆ Apply glue by squeezing the trigger (1). When the gun stops feeding glue, release the trigger (1) and squeeze again for additional flow. When the glue stick is pressed to the level of the inlet tube lip, insert another stick.

Hints for Optimum Use

The basic instructions given below are provided as a guide to craft and DIY applications. The operator should practise the various applications on scrap materials to obtain the required effect and prevent damage to the work piece.

Tips on using your glue gun

- ◆ Choose the right glue stick for the right application. Only use high or multi-temperature round glue sticks suitable for this appliance.
- ◆ Make sure that the surfaces are clean and free from dirt or oily films before gluing.
- ◆ Assemble the parts to confirm that they can be joined together in the required position before applying glue.
- ◆ Make arrangements to hold the parts in position while the glue hardens. The heat from the glue may be conducted to

the material. Clamps or pliers should be used to protect the operator from the heat.

- ◆ Working in a cold environment will reduce the time required for the glue to harden. Warm environments will increase the time for the glue to set.
- ◆ The amount of glue applied will affect the hardening time. Large heavy pools of glue will take up to fifty percent longer to dry than small drops. Very thin beads will dry in as few as 10 seconds. Some experimentation with your glue gun on scrap material will help to determine the best method to use for your particular project.
- ◆ Some paints and stains containing petroleum distillates can weaken the adhesive. Test before using. You may need to paint or stain before gluing.
- ◆ Excess glue is not easily removed from materials when it has hardened. Removal of excess glue may be attempted by scraping, peeling, or softening the glue by applying heat e.g. with the hot tip of the appliance. Adhesive may be removed from fabric by dry cleaning.

Maintenance

Your Black & Decker appliance has been designed to operate over a long period of time with a minimum of maintenance. Continuous satisfactory operation depends upon proper care and regular cleaning.

- ◆ Regularly clean the appliance using a damp cloth. Do not use any abrasive or solvent-based cleaner. Never let any liquid get inside the appliance and never immerse any part of the appliance into liquid.

Mains plug replacement (U.K. & Ireland only)

If a new mains plug needs to be fitted:

- ◆ Safely dispose of the old plug.
- ◆ Connect the brown lead to the live terminal in the new plug.
- ◆ Connect the blue lead to the neutral terminal.
- ◆ Connect the green/yellow lead to the earth terminal.

Warning! Follow the fitting instructions supplied with good quality plugs. Recommended fuse: 3 A.

Protecting the environment



Should you find one day that your appliance needs replacement, or if it is of no further use to you, think of the protection of the environment. Black & Decker repair agents will accept old Black & Decker tools and ensure that they are disposed of in an environmentally safe way.



Separate collection of used products and packaging allows materials to be recycled and used again. Re-use of recycled materials helps prevent environmental pollution and reduces the demand for raw materials.

Local regulations may provide for separate collection of electrical products from the household, at municipal waste sites or by the retailer when you purchase a new product.

Black & Decker provides a facility for the collection and recycling of Black & Decker products once they have reached the end of their working life. To take advantage of this service please return your product to any authorised repair agent who will collect them on our behalf.

You can check the location of your nearest authorised repair agent by contacting your local Black & Decker office at the address indicated in this manual. Alternatively, a list of authorised Black & Decker repair agents and full details of our after-sales service and contacts are available on the Internet at: www.2helpU.com.

Technical data

		GG500
Voltage	Vac	230-240
Frequency	Hz	50
Rated Input	W	25
Operating temperature	°C	199
Glue stick diameter	mm	12
Weight	kg	0.3

EC declaration of conformity

GG500

Black & Decker declares that these products conform to:
Standards & Legislation.

89/336/EEC, 73/23/EC, EN60335, EN55014, EN50336



Kevin Hewitt
Director of Consumer Engineering
Spennymoor, County Durham
DL16 6JG,
United Kingdom
31-09-2006

Guarantee

Black & Decker is confident of the quality of its products and offers an outstanding guarantee. This guarantee statement is in addition to and in no way prejudices your statutory rights. The guarantee is valid within the territories of the Member States of the European Union and the European Free Trade Area.

If a Black & Decker product becomes defective due to faulty materials, workmanship or lack of conformity, within 24 months from the date of purchase, Black & Decker guarantees to replace defective parts, repair products subjected to fair wear and tear or replace such products to

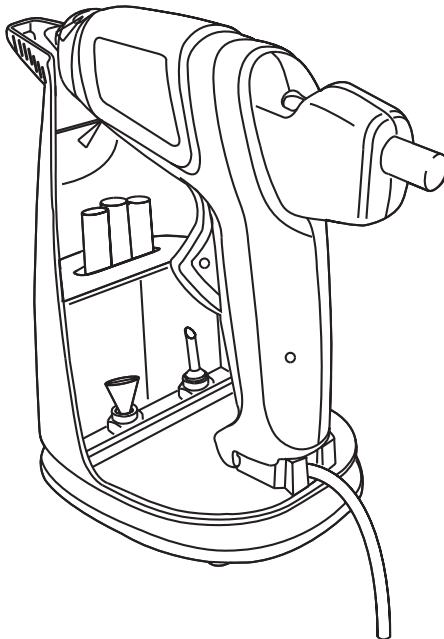
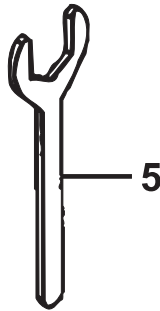
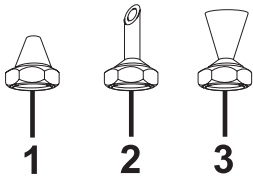
make sure of the minimum inconvenience to the customer unless:

- ◆ The product has been used for trade, professional or hire purposes.
- ◆ The product has been subjected to misuse or neglect.
- ◆ The product has sustained damage through foreign objects, substances or accidents.
- ◆ Repairs have been attempted by persons other than authorised repair agents or Black & Decker service staff.

To claim on the guarantee, you will need to submit proof of purchase to the seller or an authorised repair agent. You can check the location of your nearest authorised repair agent by contacting your local Black & Decker office at the address indicated in this manual. Alternatively, a list of authorised Black & Decker repair agents and full details of our after-sales service and contacts are available on the Internet at:

www.2helpU.com

Please visit our website www.blackanddecker.co.uk to register your new Black & Decker product and to be kept up to date on new products and special offers. Further information on the Black & Decker brand and our range of products is available at www.blackanddecker.co.uk.



Australia

Black & Decker (Australia) Pty. Ltd. Tel. 03-8720 5100
20 Fletcher Road, Mooroolbark, Fax 03-9727 5940
Victoria, 3138

New Zealand

Black & Decker Tel. 09 579 7600
81 Hugo Johnston Drive Fax 09 579 8200
Penrose, Auckland, New Zealand

United Kingdom

Black & Decker Tel. 01753 511234
210 Bath Road Fax 01753 551155
Slough, Berkshire SL1 3YD Helpline 01753 574277

Free Manuals Download Website

<http://myh66.com>

<http://usermanuals.us>

<http://www.somanuals.com>

<http://www.4manuals.cc>

<http://www.manual-lib.com>

<http://www.404manual.com>

<http://www.luxmanual.com>

<http://aubethermostatmanual.com>

Golf course search by state

<http://golfingnear.com>

Email search by domain

<http://emailbydomain.com>

Auto manuals search

<http://auto.somanuals.com>

TV manuals search

<http://tv.somanuals.com>