

INSTRUCTION MANUAL



4-1/2" (115mm) Angle Grinder

TV800

KEY INFORMATION YOU SHOULD KNOW

- Wait until grinding wheel reaches full speed before applying to work.
- Hold grinder at proper angle, as shown in figure 4.

*If you have any questions, call
1-800-544-6986.*

SAVE THIS MANUAL FOR FUTURE REFERENCE.

**VEA EL ESPAÑOL EN LA CONTRAPORTADA.
POUR LE FRANÇAIS, VOIR LA COUVERTURE ARRIÈRE.**

INSTRUCTIVO DE OPERACIÓN, CENTROS DE SERVICIO Y PÓLIZA DE GARANTÍA. **ADVERTENCIA:** LÉASE ESTE INSTRUCTIVO ANTES DE USAR EL PRODUCTO.

Master Mechanic

⚠ WARNING: IMPORTANT SAFETY WARNINGS AND INSTRUCTIONS

ENGLISH

TO REDUCE RISK OF INJURY:

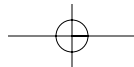
- Before any use, be sure everyone using this tool reads and understands all safety instructions and other information contained in this manual.
- Save these instructions and review frequently prior to use and in instructing others.

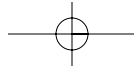
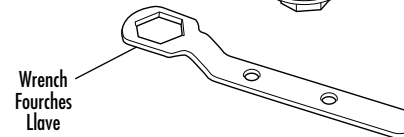
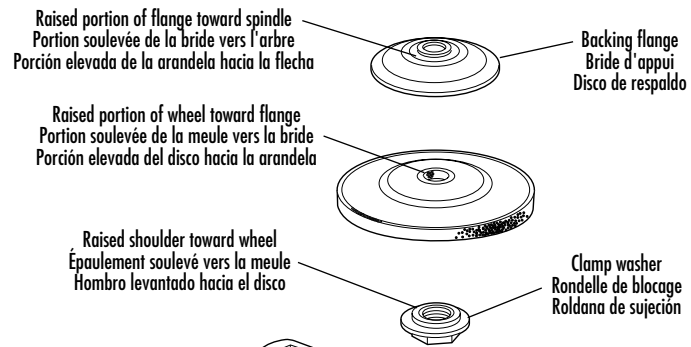
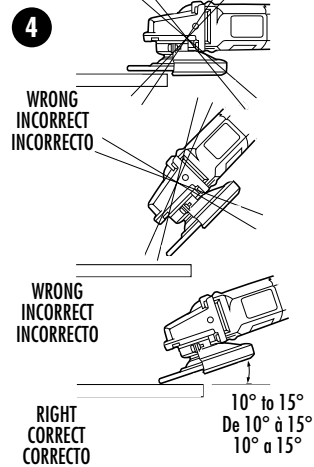
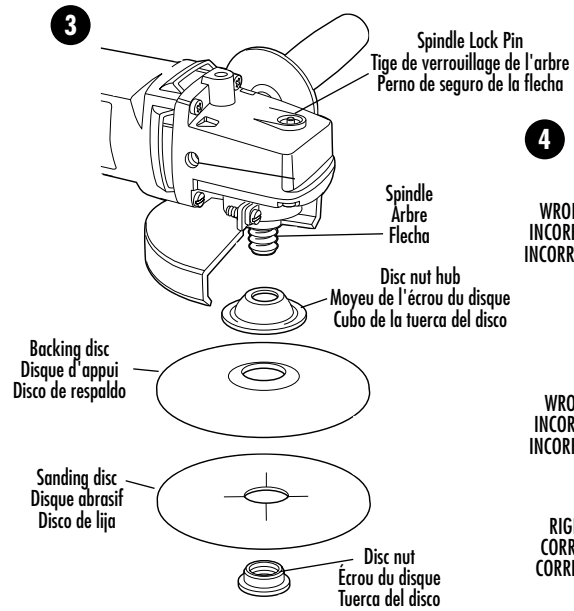
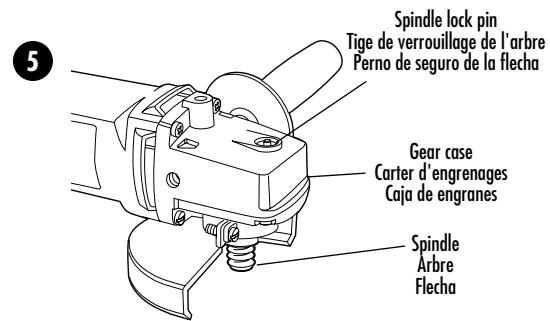
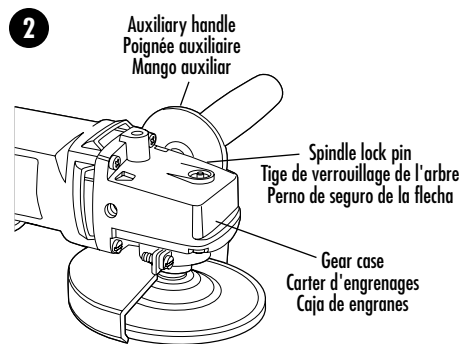
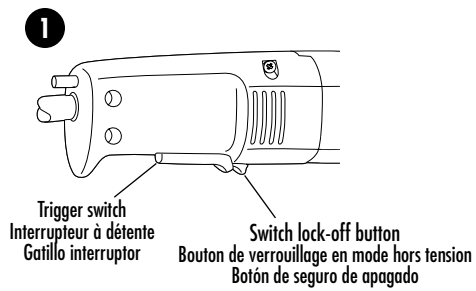
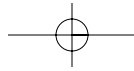
⚠ WARNING: When using electric tools, basic safety precautions should always be followed to reduce risk of fire, electric shock, and personal injury, including the following

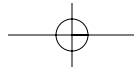
READ ALL INSTRUCTIONS

⚠ GENERAL SAFETY WARNINGS AND INSTRUCTIONS FOR ALL TOOLS

- **KEEP WORK AREA CLEAN.** Cluttered areas and benches invite injuries.
- **CONSIDER WORK AREA ENVIRONMENT.** Don't expose power tools to rain. Don't use power tools in damp or wet locations. Keep work area well lit. Do not use in presence of flammable liquids or gases. Motors in these tools normally spark, and the sparks may ignite the fumes.
- **GUARD AGAINST ELECTRIC SHOCK.** Prevent body contact with grounded surfaces. For example; pipes, radiators, ranges, refrigerator enclosures. Use extreme caution when drilling, driving, or cutting into walls, floors, ceilings or other areas or wherever live electrical wires may be contacted, do not touch any metal parts of the tool. Hold the tools only by the plastic handle to prevent electric shock.
- **KEEP CHILDREN AWAY.** Do not let children and visitors contact tool or extension cord. All children and visitors should be kept away from work area.
- **STORE IDLE TOOLS.** When not in use, tools should be stored in dry, and high or locked-up place—out of reach of children.
- **DON'T FORCE TOOL.** It will do the job better and safer at the rate for which it was intended.







- **USE RIGHT TOOL.** Don't force small tool or attachment to do the job of a heavy-duty tool. Don't use tool for purposes not intended.
- **DRESS PROPERLY.** Do not wear loose clothing or jewelry. They can be caught in moving parts. Rubber gloves and non-skid footwear are recommended when working outdoors. Wear protective hair covering to contain long hair.
- **USE SAFETY GLASSES AND OTHER SAFETY EQUIPMENT.** Use safety goggles or safety glasses with side shields, complying with applicable safety standards and, when needed, a face shield. Also use face or dust mask if cutting operation is dusty. This applies to all persons in the work area. Also use a hard hat, hearing protection, gloves, safety shoes and dust collection systems when specified or required.
- **DON'T ABUSE CORD.** Never carry tool by cord or yank it to disconnect from receptacle. Keep cord from heat, oil, and sharp edges.
- **SECURE WORK.** Use clamps or a vise to hold work. It's safer than using your hand and it frees both hands to operate tool.
- **DON'T OVERREACH.** Keep proper footing and balance at all times.
- **MAINTAIN TOOLS WITH CARE.** Keep tools sharp and clean for better and safer performance. Follow instructions for lubricating and changing accessories. Inspect tool cords periodically and if damaged, have repaired by authorized service facility. Inspect extension cords periodically and replace if damaged. Keep handles dry, clean, and free from oil and grease.
- **DISCONNECT TOOLS.** Unplug the tool when not in use, when moving tool from place to place, before servicing, and when changing accessories (such as blades, bits, cutters) or making adjustments.
- **REMOVE ADJUSTING KEYS AND WRENCHES.** Form habit of checking to see that keys and adjusting wrenches are removed from tool before turning it on.
- **AVOID UNINTENTIONAL STARTING.** Don't carry tool with finger on switch. Be sure switch is off when plugging in.
- **EXTENSION CORDS.** Make sure your extension cord is in good condition. When using an extension cord, be sure to use one heavy enough to carry the current your product will draw. An undersized cord will cause a drop in line voltage resulting in loss of power and overheating. The following table shows the correct size to use depending on cord length and nameplate ampere rating. If in doubt, use the next heavier gage. The smaller the gage number, the heavier the cord.

Volts	Minimum Gage for Cord Sets			
	Total Length of Cord in Feet			
120V	0-25	26-50	51-100	101-150
240V	0-50	51-100	101-200	201-300
Ampere Rating		American Wire Gage		
More Than	Not more Than			
0	- 6	18	16	14
6	- 10	18	16	12
10	- 12	16	14	12
12	- 16	14	12	Not Recommended

ENGLISH

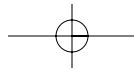
- **OUTDOOR USE EXTENSION CORDS.** When tool is used outdoors, use only extension cords intended for use outdoors and so marked.
- **STAY ALERT.** Watch what you are doing. Use common sense. Do not operate tool when you are tired or otherwise impaired.
- **CHECK DAMAGED PARTS.** Before further use of the tool, a guard or other part that is damaged should be carefully checked to determine that it will operate properly and perform its intended function. Check for alignment of moving parts, binding of moving parts, breakage of parts, mounting, and any other conditions that may affect its operation. A guard or other part that is damaged should be properly repaired or replaced by an authorized service center unless otherwise indicated elsewhere in this instruction manual. Have defective switches replaced by authorized service center. Do not use tool if switch does not turn it on and off.

ADDITIONAL SAFETY INSTRUCTIONS FOR GRINDERS

ALWAYS WEAR EYE PROTECTION.

KEEP GUARDS IN PLACE.

- Use only grinding wheels having a maximum operating speed at least high as "No Load RPM" marked on the tool's nameplate.
- Before using, inspect recommended accessory for cracks or flaws. If such a crack or flaw is evident, discard the accessory. The accessory should also be inspected whenever you think the tool may have been dropped.
- When starting the tool (with a new or replacement wheel installed) hold the tool in a well protected area and let it run for one minute. If the wheel has an



undetected crack or flaw, it should burst in less than one minute. Never start the tool with a person in line with the wheel. This includes the operator.

- In operation, avoid bouncing the wheel or giving it rough treatment. If this occurs, stop the tool and inspect the wheel.
- Always use guards with depressed center wheels or flaring cup grinding wheels.
- Clean your tool out periodically.
- **CAUTION:** Some wood contains preservatives such as copper chromium arsenate (CCA) which can be toxic. When sanding these materials extra care should be taken to avoid inhalation and minimize skin contact.

SAVE THESE INSTRUCTIONS

Motor Brushes

Master Mechanic uses an advanced brush system which automatically stops the tool when the brushes wear out. This prevents serious damage to the motor.

Spindle Lock Pin Operation (Fig. 2)

Depress spindle lock pin and rotate the spindle until the lock pin engages to lock the spindle.

NOTE: Never depress the spindle lock pin when the tool is running or coasting. Damage to the gear and lock pin will result.

Auxiliary Handle (Fig. 2)

An auxiliary handle is furnished with your grinder and can be screwed into either side or the top of the gear case. This handle **SHOULD BE USED AT ALL TIMES** to maintain complete control of the tool.

Sanding With Abrasive Discs (Fig. 3)

Sanding accessories shown are available at extra cost.

TO INSTALL SANDING DISCS:

Be sure that the tool is turned off and unplugged. Push the hub of the disc nut through the center of the sanding disc, as far as it will go, and also through the backing disc.

Put the assembled discs on the tool spindle and engage the disc nut into the disc nut hub. Thread the assembly clockwise, completely down on the spindle.

Engage the lock pin to lock the spindle in place. When using an abrasive disc, hold the tool so that an angle of 10° to 15° exists between the disc and the work, as shown in Figure 4. If only the outer edge of the sanding disc is pressed flat against the work, the sanding action will be irregular and bumpy, and the tool will be difficult to control.

⚠ PRECAUTIONS TO TAKE WHEN SANDING PAINT

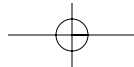
1. Sanding of lead based paint is **NOT RECOMMENDED** due to the difficulty of controlling the contaminated dust. The greatest danger of lead poisoning is to children and pregnant women.
2. Since it is difficult to identify whether or not a paint contains lead without a chemical analysis, we recommend the following precautions when sanding any paint:

⚠ PERSONAL SAFETY

- a. No children or pregnant women should enter the work area where the paint sanding is being done until all clean-up is completed.
- b. A dust mask or respirator should be worn by all persons entering the work area. The filter should be replaced daily or whenever the wearer has difficulty breathing.
NOTE: Only those dust masks suitable for working with lead paint dust and fumes should be used. Ordinary painting masks do not offer this protection. See your local hardware dealer for the N.I.O.S.H. approved proper mask.
- c. **NO EATING, DRINKING or SMOKING** should be done in the work area to prevent ingesting contaminated paint particles. Workers should wash and clean up **BEFORE** eating, drinking or smoking. Articles of food, drink, or smoking should not be left in the work area where dust can settle on them.

⚠ ENVIRONMENTAL SAFETY

- a. Paint should be removed in such a manner as to minimize the amount of dust generated.
- b. Areas where paint removal is occurring should be sealed with plastic sheeting of 4 mils thickness.



- c. Sanding should be done in a manner to reduce tracking of paint dust outside the work area.

CLEANING AND DISPOSAL

- a. All surfaces in the work area should be vacuumed and thoroughly cleaned daily for the duration of the sanding project. Vacuum filter bags should be changed frequently.
- b. Plastic drop cloths should be gathered up and disposed of along with any dust chips or other removal debris. They should be placed in sealed refuse receptacles and disposed of through regular trash pick-up procedures. During clean-up, children and pregnant women should be kept away from the immediate work area.
- c. All toys, washable furniture and utensils used by children should be washed thoroughly before being used again.

Removing Disc

TURN OFF AND UNPLUG TOOL.

Using a cloth or glove to protect your hand, turn the disc assembly counter-clockwise to remove it from the tool spindle. Hold the spindle in place by engaging the lock pin.

Grinding With Depressed Center Wheels (5/8"—11 Spindle)

Depressed center wheels may be used for moderate metal removal on flat or contoured surfaces.

CAUTION: Never use depressed center wheels without the proper guard.

To install depressed center wheels:

1. Be sure tool is disconnected from power supply and switch is in "OFF" position.
2. Be sure the guard assembly is securely attached to the gear case.
3. Put the backing flange onto the tool spindle as shown in Figure 5.
4. Check rated speed on depressed center wheel. Never use wheel with rated speed lower than the speed on the nameplate of the tool.
5. Place the depressed center wheel on the tool spindle as shown.

6. Thread the clamp washer on tool spindle as shown. Hold the tool spindle by engaging the spindle lock pin, and tighten clamp washer with wrench.
When using a depressed center wheel, hold the tool so that an angle of approximately 30° exists between the wheel and the work.

Wire Cup and Knotted Wire Wheel Brushes.

1. Disconnect tool from power source and make sure switch is "OFF". Rest grinder on its back with spindle facing up.
2. Ensure that the rated speed of the wire brush is equal to or higher than the rated speed of the grinder found on the nameplate.
3. Thread brush onto spindle and tighten.

Common applications for knotted wire cup brushes include cleaning welds, angles, corners and removing paint.

Usage of the knotted wire wheel brush is the same as the wire cup brush. They can also be used to finish irregular surfaces and corners.

MAINTENANCE

Use only mild soap and a damp cloth to clean the tool. Never let any liquid get inside the tool; never immerse any part of the tool into a liquid.

IMPORTANT: To assure product SAFETY and RELIABILITY, repairs, maintenance and adjustment should be performed by authorized service centers or other qualified service organizations, always using identical replacement parts.

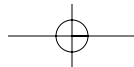
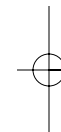
Lubrication

MASTER MECHANIC tools are properly lubricated at the factory and are ready for use.

Cleaning

Blowing dust and grit out of the motor housing using compressed air is a necessary regular maintenance procedure. Dust and grit containing particles from metal grinding often accumulate on interior surfaces and could create an electrical shock hazard if not frequently cleaned out.

CAUTION: Never use solvents or other harsh chemicals for cleaning the non-metallic parts of the tool. Use clean, dry rag only.



Accessories

A full array of accessories for use with your tool are available from your local dealer or authorized service center.

CAUTION: The use of any accessory or attachment other than those recommended in this manual may be hazardous.

ACCESSORY TYPE	NOTES	USAGE
DEPRESSED CENTER WHEEL	Use Guard Supplied with Tool	Use for moderate metal & masonry removal on flat or contoured surfaces
SANDING DISCS		Use for smoothing welds, and sharp edges, and automotive body parts
WIRE BRUSHES	Max. 4" (100mm) Knotted Wheel Max. 3" (76mm) Cup Wheel	Use for rust removal and surface preparation before painting

* Depressed center grinding wheels must fit within the confines of the guard and must be rated higher than the recommended speed as marked on the nameplate.

WARNING — To reduce the risk of injury, always use proper guards when grinding and wear eye protection.

Two Year Quality Guarantee

This product is warranted for two years against any defects in material and workmanship. If defective, the product will be repaired or replaced free of charge. Simply provide proof of purchase and return the tool to your place of purchase. Normal wear or damage due to abuse, mishandling or unauthorized repair is not covered. This warranty does not apply to accessories. This warranty gives you specific legal rights and you may have other rights which vary from state to state.

30 Day Satisfaction Guarantee

If, for any reason, you are not completely satisfied with the performance or results of this product, within thirty days of original purchase, it will be repaired or replaced free of charge. Simply provide proof of purchase and return the tool to your place of purchase.

If your tool requires out of warranty repairs, you may send or take your tool to a Black & Decker owned Service Center. Black & Decker Service Centers are listed under "Tools-Electric" in the yellow pages of the phone directory or you may call **1-800-544-6986** for information on your nearest Service Center.

TruServ
8600 W. Bryn Mawr Ave.
Chicago, IL 60631-3505

GUIDE D'UTILISATION

Rectifieuse coudée de
115 mm (4 1/2 po)

Modèle TV800

1 800 544-6986

RENSEIGNEMENTS IMPORTANTS

- Attendre le plein régime de la meule avant de déposer la rectifieuse sur la pièce à ouvrir.
- Saisir la rectifieuse à l'angle approprié, comme le montre la figure 4.

**CONSERVER LE PRÉSENT
GUIDE À TITRE DE
RÉFÉRENCE.**

Master Mechanic

Pour obtenir de plus amples
renseignements, composer le
1 800 544-6986.

⚠ AVERTISSEMENT : IMPORTANTES MESURES DE SÉCURITÉ

AFIN DE RÉDUIRE LES RISQUES DE BLESSURES :

- Avant toute utilisation, s'assurer que tous ceux qui se servent de l'outil lisent et comprennent toutes les mesures de sécurité et tout autre renseignement contenu dans le présent guide.
- Conserver ces mesures et les relire fréquemment avant d'utiliser l'outil et d'en expliquer le fonctionnement à d'autres personnes.

⚠ **AVERTISSEMENT :** Afin de réduire les risques d'incendie, de secousses électriques ou de blessures lorsqu'on utilise des outils électriques, il faut toujours respecter les mesures de sécurité suivantes.

LIRE TOUTES LES DIRECTIVES.

⚠ MESURES DE SÉCURITÉ POUR TOUS LES OUTILS

- **BIEN DÉGAGER LA SURFACE DE TRAVAIL.** Des surfaces et des établis encombrés peuvent être la cause de blessures.
- **TENIR COMPTE DU MILIEU DE TRAVAIL.** Protéger les outils électriques de la pluie. Ne pas s'en servir dans des endroits humides ou mouillés. Bien éclairer la surface de travail. Ne pas se servir de l'outil en présence de liquides ou de vapeurs inflammables. En effet, le moteur de tels outils génère habituellement des étincelles et celles-ci peuvent enflammer les vapeurs.
- **SE PROTÉGER CONTRE LES SECOURS ÉLECTRIQUES.** Éviter tout contact avec des objets mis à la terre, comme des tuyaux, radiateurs, cuisinières, réfrigérateurs et autres objets du genre. Prendre soin lorsqu'on perce, visse ou coupe des murs, planchers, plafonds ou autres endroits qui pourraient cacher des fils électriques sous tension. Ne pas toucher aux composants métalliques de l'outil. Saisir celui-ci seulement par sa poignée en plastique afin d'éviter les secousses électriques.
- **ÉLOIGNER LES ENFANTS.** Tous les visiteurs doivent être tenus à l'écart de l'aire de travail et il faut les empêcher de toucher à l'outil ou au cordon de rallonge.
- **RANGER LES OUTILS INUTILISÉS.** Il faut ranger les outils dans un endroit sec, situé en hauteur ou fermé à clé, hors de la portée des enfants.

FRANÇAIS

- **NE JAMAIS FORCER L'OUTIL.** Afin d'obtenir un rendement sûr et efficace, utiliser l'outil à son rendement nominal.
- **UTILISER L'OUTIL APPROPRIÉ.** Ne jamais exiger d'un petit outil ou d'un accessoire le rendement d'un outil de fabrication plus robuste. Se servir de l'outil selon l'usage prévu.
- **PORTER DES VÊTEMENTS APPROPRIÉS.** Éviter de porter des vêtements amples et des bijoux qui peuvent être happés par les pièces en mouvement. Porter des gants de caoutchouc et des chaussures à semelle antidérapante pour travailler à l'extérieur. Protéger la chevelure si elle longue.
- **PORTER DES LUNETTES DE SÉCURITÉ ET AUTRE ÉQUIPEMENT DE SÉCURITÉ.** Porter des lunettes de protection ou de sécurité à écrans latéraux, conformément aux normes de sécurité appropriées, et, au besoin, un écran facial. Porter également un masque respiratoire si le travail de coupe produit de la poussière. La présente mesure vaut pour toute personne dans la zone de travail. Il faut également porter un casque, des protège-tympons, des gants et des chaussures de sécurité ainsi qu'utiliser des systèmes de dépoussiérage lorsque spécifié ou exigé.
- **NE PAS MANIPULER LE CORDON DE FAÇON ABUSIVE.** Ne pas transporter l'outil par le cordon ni tirer sur ce dernier pour le débrancher de la prise. Éloigner le cordon des sources de chaleur, des flaques d'huile et des arêtes tranchantes.
- **ASSUJETIR LA PIÈCE.** Immobiliser la pièce à l'aide de brides ou d'un étau. On peut alors se servir des deux mains pour faire fonctionner l'outil, ce qui est plus sûr.
- **NE PAS DÉPASSER SA PORTÉE.** Toujours demeurer dans une position stable et garder son équilibre.
- **PRENDRE SOIN DES OUTILS.** Conserver les outils propres et affûtés pour qu'ils donnent un rendement supérieur et sûr. Suivre les directives concernant la lubrification et le remplacement des accessoires. Inspecter régulièrement le cordon de l'outil et le faire réparer au besoin à un atelier d'entretien autorisé. Inspecter régulièrement les cordons de rallonge et les remplacer lorsqu'ils sont endommagés. S'assurer que les poignées sont toujours propres, sèches et libres de toute tache d'huile ou de graisse.
- **DÉBRANCHER LES OUTILS.** Débrancher l'outil lorsqu'on ne s'en sert pas, qu'on doit le déplacer d'un endroit à un autre et qu'on doit le réparer, en changer un accessoire (comme une lame, un foret ou un couteau) ou le régler.

- **ENLEVER LES CLÉS DE RÉGLAGE.** Prendre l'habitude de vérifier si les clés de réglage ont été retirées avant de faire démarrer l'outil.
- **ÉVITER LES DÉMARRAGES ACCIDENTELS.** Ne pas laisser le doigt sur l'interrupteur lorsqu'on transporte l'outil. S'assurer que l'interrupteur est à la position hors circuit lorsqu'on branche l'outil.
- **CORDONS DE RALLONGE.** S'assurer que le cordon de rallonge est en bon état. Lorsqu'on se sert d'un cordon de rallonge, s'assurer qu'il est de calibre approprié pour la tension nécessaire au fonctionnement de l'outil. L'utilisation d'un cordon de calibre inférieur occasionne une baisse de tension entraînant une perte de puissance et la surchauffe. Le tableau suivant indique le calibre approprié selon la longueur du cordon et les mentions de la plaque signalétique de l'outil. En cas de doute, utiliser un cordon de calibre supérieur. Le chiffre indiquant le calibre est inversement proportionnel au calibre du cordon.

Tension	Calibre minimal des cordons de rallonge				
	Longueur totale du cordon en pieds				
120 V	De 0 à 25	De 26 à 50	De 51 à 100	De 101 à 150	
240 V	De 0 à 50	De 51 à 100	De 101 à 200	De 201 à 300	
Intensité (A)		Calibre moyen de fil			
Au moins	Au plus				
0	6	18	16	16	14
6	10	18	16	14	12
10	12	16	16	14	12
12	16	14	12	Non recommandé	

- **CORDONS DE RALLONGE PRÉVUS POUR L'EXTÉRIEUR.** Lorsque l'outil est utilisé à l'extérieur, ne se servir que d'un cordon de rallonge conçu pour l'extérieur et portant la mention appropriée.
- **DEMEURER VIGILANT.** Travailler avec vigilance et faire preuve de bon sens. Ne pas se servir de l'outil lorsqu'on est fatigué ou autrement affaibli.
- **VÉRIFIER LES PIÈCES ENDOMMAGÉES.** Avant de continuer à utiliser l'outil, il faut vérifier si le protecteur ou toute autre pièce endommagée remplit bien la fonction pour laquelle il a été prévu. Vérifier l'alignement et les attaches des pièces mobiles, le degré d'usure des pièces et leur montage, ainsi que tout autre facteur susceptible de nuire au bon fonctionnement de l'outil. Faire réparer ou remplacer tout protecteur ou toute autre pièce endommagée dans un centre de service autorisé. Ne jamais se servir d'un outil dont l'interrupteur est défectueux.

⚠ MESURES DE SÉCURITÉ ADDITIONNELLES : RECTIFIEUSES

TOUJOURS PORTER DES LUNETTES DE SÉCURITÉ.

S'ASSURER QUE LES PROTECTEURS SONT EN PLACE.

- Utiliser seulement des meules dont le régime maximal équivaut au moins au régime à vide indiqué sur la plaque signalétique de l'outil.
- Avant de s'en servir, vérifier si les accessoires recommandés ne renferment aucune fêlure ni défaut. Le cas échéant, jet l'accessoire. Il faut également inspecter l'accessoire lorsque l'outil est tombé.
- Au moment du démarrage (après avoir installé une nouvelle meule), saisir l'outil dans un endroit bien protégé et le laisser fonctionner pendant une minute. Si la meule renferme une fêlure ou un défaut non décelé, elle éclatera en moins de une minute. Ne jamais mettre l'outil en marche lorsqu'une personne se trouve dans la trajectoire de la lame. Cette mesure vaut également pour l'utilisateur.
- Pendant les travaux, éviter de faire sauter la meule ou de la maltraiter. Le cas échéant, arrêter l'outil et inspecter la meule.
- Toujours utiliser des protecteurs avec des meules à moyeu creux ou des meules boisseau coniques.
- Nettoyer l'outil régulièrement.
- **MISE EN GARDE** : Certaines essences de bois renferment des agents de conservation (comme de l'arséniate de cuivre et de chrome) qui peuvent être toxiques. Lorsqu'on doit poncer de tels matériaux, prendre des mesures supplémentaires afin d'éviter d'inhaler les vapeurs toxiques et de minimiser les contacts avec la peau.

CONSERVER CES MESURES.

Balais du moteur

Les outils Master Mechanic comportent un système de pointe de vérification des balais qui arrête automatiquement l'outil lorsque les balais sont usés. On prévient de la sorte de graves dommages au moteur.

Tige de verrouillage de l'arbre (Fig. 2)

Enfoncer la tige de verrouillage de l'arbre et faire tourner l'arbre jusqu'à ce que la tige de verrouillage s'enclenche dans l'arbre.

NOTE : Ne jamais enfoncer la tige de verrouillage de l'arbre lorsque l'outil fonctionne au risque d'endommager les engrenages et la tige de verrouillage.

Poignée auxiliaire (Fig. 2)

La rectifieuse comporte une poignée auxiliaire qui peut être vissée d'un côté ou de l'autre de l'outil ou sur le dessus du carter d'engrenages. La poignée **DOIT ÊTRE UTILISÉE EN TOUT TEMPS** afin de bien maîtriser l'outil.

Ponçage à l'aide de disques abrasifs (Fig. 3)

Les accessoires de ponçage illustrés sont vendus séparément.

INSTALLATION DES DISQUES ABRASIFS

S'assurer que l'outil est hors tension et débranché. Enfoncer le moyeu de l'écrou du disque à fond au centre du disque abrasif et du disque d'appui.

Placer les disques ainsi assemblés sur l'arbre de l'outil et insérer l'écrou du disque sur le moyeu de l'écrou du disque. Serrer l'assemblage dans le sens horaire jusqu'au bout de l'arbre. Enfoncer la tige de verrouillage de l'arbre. Lorsqu'on utilise un disque abrasif, saisir l'outil de manière à laisser un angle de 10 à 15° entre le disque et la pièce à ouvrir (fig. 4). Lorsque le rebord extérieur du disque abrasif est appuyé à plat contre la pièce, le mouvement abrasif sera irrégulier et inégal. En outre, l'outil sera difficile à maîtriser.

⚠ MESURES À PRENDRE LORS DU PONÇAGE DE PEINTURE

1. IL N'EST PAS RECOMMANDÉ de poncer de la peinture à base de plomb puisqu'il est difficile d'en maîtriser la poussière contaminée. Ce genre de ponçage présente de sérieux risques d'empoisonnement au plomb pour les femmes enceintes et les enfants.
2. Puisqu'il est difficile de déterminer si la peinture renferme du plomb sans en faire une analyse chimique, il est conseillé de se conformer aux mesures suivantes lors du ponçage de tout type de peinture.

⚠ SÉCURITÉ PERSONNELLE

- a. Ne laisser aucun enfant ni aucune femme enceinte entrer dans la pièce où il y a ponçage de peinture jusqu'à ce que la pièce soit nettoyée.

- b. Toute personne entrant dans la pièce de travail devrait porter un masque ou un appareil respiratoire. L'utilisateur devrait remplacer le filtre chaque jour ou dès qu'il éprouve de la difficulté à respirer. **NOTE** : Il faut seulement utiliser des masques conçus pour le travail en présence de poussières ou de vapeurs de plomb. Les masques ordinaires ne sont pas conçus à cet effet. Consulter le quincaillier pour choisir le masque approprié.
- c. IL EST INTERDIT DE MANGER, DE BOIRE ET DE FUMER dans la pièce de travail afin de ne pas ingérer des particules contaminées. L'utilisateur doit se laver et se nettoyer **AVANT** de manger, de boire ou de fumer. Il ne faut pas laisser dans la pièce de travail de la nourriture, des boissons ou des cigarettes car de la poussière pourrait se déposer sur ces articles.

PROTECTION DE L'ENVIRONNEMENT

- a. Il faut enlever la peinture de manière à produire un minimum de poussière.
- b. Il faut sceller la zone de travail à l'aide de feuilles de plastique d'une épaisseur minimale de 4 mils.
- c. Il faut poncer de façon à réduire la propagation de la poussière hors de la pièce de travail.

NETTOYAGE ET DÉCHETS

- a. Il faut bien aspirer toutes les surfaces de la pièce de travail et les nettoyer à fond chaque jour pendant la durée des travaux. Il faut remplacer fréquemment le filtre de l'aspirateur.
- b. Ramasser les feuilles de plastique et les jeter avec la poussière et les autres débris dans des contenants étanches à placer avec les ordures ménagères pour l'enlèvement. Tenir les enfants et les femmes enceintes à l'écart de la zone de travail pendant les travaux de nettoyage.
- c. Il faut nettoyer à fond les jouets, les meubles et les ustensiles des enfants avant de les utiliser de nouveau.

Retrait du disque

METTRE L'OUTIL HORS TENSION ET LE DÉBRANCHER.

Se protéger la main à l'aide d'un chiffon ou d'un gant et faire tourner le disque

dans le sens antihoraire afin de l'enlever de l'arbre de l'outil. Bloquer l'arbre en place en actionnant la tige de verrouillage.

Ponçage à l'aide de meules à moyeu creux (arbre de 5/8 po — 11)

On peut se servir de meules à moyeu creux pour poncer modérément des surfaces métalliques planes ou recourbées.

MISE EN GARDE : Ne jamais se servir de meules à moyeu creux sans le protecteur approprié en place.

Faire ce qui suit pour installer les meules à moyeu creux.

1. S'assurer que l'outil est débranché et hors tension.
2. S'assurer que le protecteur est bien fixé au carter d'engrenages.
3. Placer la bride d'appui sur l'arbre de l'outil (fig. 5).
4. Vérifier le régime nominal des meules à moyeu creux. Ne jamais se servir d'une meule dont le régime nominal est inférieur à celui indiqué sur la plaque signalétique de l'outil.
5. Placer la meule à moyeu creux sur l'arbre de l'outil de la façon illustrée.
6. Visser la rondelle de blocage sur l'arbre de la façon illustrée. Bloquer l'arbre en actionnant la tige de verrouillage et serrer la rondelle de blocage à l'aide d'une fourches.

Lorsqu'on se sert d'une meule à moyeu creux, saisir l'outil de sorte qu'il y ait un angle d'environ 30° entre la meule et la pièce à ouvrir.

Meules boisseau à fils d'acier et meules à fils d'acier torsadés

1. S'assurer que l'outil est débranché et hors tension. Déposer la rectifieuse à l'envers (l'arbre vers le haut).
2. S'assurer que le régime nominal de la meule à fils d'acier est égal ou supérieur à celui de l'outil (voir la plaque signalétique de l'outil).
3. Visser la meule sur l'arbre et serrer.

On se sert habituellement des meules boisseau à fils d'acier pour nettoyer des soudures, des angles, des coins et pour enlever de la peinture.

La meule à fils d'acier torsadés sert aux mêmes utilisations que la meule boisseau à fils d'acier. On peut également s'en servir pour finir des surfaces et des coins irréguliers.

ENTRETIEN

Nettoyer l'outil seulement à l'aide d'un savon doux et d'un linge humide. Ne laisser aucun liquide s'infiltrer dans l'outil et ne jamais immerger l'outil.

IMPORTANT : Pour assurer la SÉCURITÉ D'EMPLOI et la FIABILITÉ de l'outil, n'en confier la réparation, l'entretien et les rajustements qu'à un centre de service ou à un atelier d'entretien autorisé qui n'utilise que des pièces de rechange identiques.

Lubrification

Les outils MASTER MECHANIC sont lubrifiés en usine et prêts à être utilisés.

Accessoires

On peut se procurer une gamme complète d'accessoires pour l'outil chez le détaillant ou au centre de service de la région.

MISE EN GARDE : L'utilisation de tout autre accessoire non recommandé pour l'outil peut être dangereuse.

TYPE D'ACCESSOIRE	NOTES	UTILISATION
MEULE À MOYEU CREUX	Se servir du protecteur compris avec l'outil	Pour enlever modérément du métal et de la maçonnerie sur des surfaces planes et recourbées.
DISQUES ABRASIFS		Pour égaliser des soudures et des rebords tranchants ainsi que pour la carrosserie
MEULES À FILS D'ACIER	100 mm (4 po) max. Fils torsadés 76 mm (3 po) max. Boisseau	Pour enlever de la rouille et préparer les surfaces avant de peindre

* Les meules à moyeu creux doivent s'insérer sous le protecteur et elles doivent avoir un régime nominal supérieur à celui indiqué sur la plaque signalétique de l'outil.

AVERTISSEMENT — Afin de minimiser les risques de blessures, toujours s'assurer que les protecteurs appropriés sont en place et toujours porter des lunettes de sécurité.

Garantie de qualité de deux ans

Une garantie de deux ans couvre le produit contre les vices de matière et de fabrication. Si le produit est défectueux, il sera réparé ou remplacé sans frais. Il suffit de fournir une preuve d'achat et de retourner le produit à l'endroit où il a été acheté. La présente garantie ne s'applique pas aux avaries dues à une usure normale, à une manœuvre négligente, au mauvais usage ni à une réparation non autorisée. Elle ne vaut également pas pour les accessoires. Les modalités de la présente garantie donnent des droits légaux spécifiques. L'utilisateur peut se prévaloir d'autres droits selon l'état ou la province qu'il habite.

Garantie de satisfaction de 30 jours

Si, pour quelque raison que ce soit, l'utilisateur n'est pas complètement satisfait du rendement du produit ou des résultats obtenus dans les trente jours suivant l'achat du produit, il sera réparé ou remplacé sans frais. Il suffit de fournir une preuve d'achat et de retourner le produit à l'endroit où il a été acheté. Lorsque l'outil nécessite des réparations non garanties, on peut confier l'outil au personnel d'un centre de service Black & Decker. Les centres de service Black & Decker sont inscrits à la rubrique «Outils électriques» des Pages Jaunes ou composer le 1 (800) 544-6986 pour obtenir des plus amples renseignements sur le centre de service de la région.

FRANÇAIS

TruServ
8600 W. Bryn Mawr Ave.
Chicago, IL 60631-3505

MANUAL DE INSTRUCCIONES

Esmeriladora angular de 115 mm (4-1/2")

TV800

INFORMACION CLAVE QUE DEBE SABER

- Espere hasta que el disco de esmeril alcance la velocidad máxima antes de aplicarlo al trabajo.
- Sujete la esmeriladora a un ángulo apropiado, como se observa en la figura 4.

CONSERVE ESTE MANUAL PARA REFERENCIAS FUTURAS

⚠️ ADVERTENCIA: ADVERTENCIAS E INSTRUCCIONES IMPORTANTES DE SEGURIDAD

PARA REDUCIR EL RIESGO DE LESIONES:

- Antes de cualquier uso, asegúrese que cualquier persona que vaya a utilizar esta herramienta lea y comprenda todas las instrucciones de seguridad y la información contenida en este manual.
- Conserve estas instrucciones y repáselas con frecuencia antes de usar la herramienta e instruir a otras personas.

⚠️ **ADVERTENCIA:** Siempre que utilice herramientas eléctricas debe seguir ciertas precauciones básicas de seguridad, a fin de reducir los riesgos de incendio, choque eléctrico y lesiones personales, entre las que se encuentran las siguientes.

ESPAÑOL

Master Mechanic

LEA TODAS LAS INSTRUCCIONES

⚠️ ADVERTENCIAS E INSTRUCCIONES GENERALES DE SEGURIDAD PARA TODAS LAS HERRAMIENTAS.

- **CONSERVE LIMPIA EL AREA DE TRABAJO.** Las áreas y los bancos con objetos acumulados en desorden propician los accidentes.
- **OTORGUE PRIORIDAD AL AMBIENTE DE TRABAJO.** No exponga las herramientas eléctricas a la lluvia ni las utilice en lugares húmedos o inundados. Ilumine bien la zona de trabajo. No utilice las herramientas eléctricas en presencia de líquidos o gases inflamables. Los motores de estas herramientas producen chispas, que pueden encender los vapores.
- **PROTEJASE CONTRA EL CHOQUE ELECTRICO.** Evite el contacto corporal con superficies aterrizadas, por ejemplo; tuberías, radiadores, hornos, gabinetes de refrigeración, etc. Tenga precaución extrema cuando taladre, atornille o corte en muros, pisos, techos u otras áreas en donde pueda encontrar cables eléctricos vivos, no toque ninguna parte metálica de la herramienta. Sujete las herramientas solamente por las empuñaduras de plástico para evitar descargas eléctricas.
- **CONSERVE APARTADOS A LOS NIÑOS.** No permita que niños ni otros visitantes toquen la herramienta ni los cables de extensión. Todos los niños y otros visitantes deben apartarse del área de trabajo.
- **GUARDE LAS HERRAMIENTAS QUE NO EMPLEE.** Siempre que no use las herramientas, debe guardarlas en un lugar seco y elevado o bajo llave, fuera del alcance de los niños.
- **NO FUERCE LA HERRAMIENTA.** Esta hará el trabajo mejor y de manera más segura bajo las condiciones para las que se diseñó.
- **EMPLEE LA HERRAMIENTA ADECUADA.** No fuerce a una herramienta pequeña o a sus dispositivos de montaje en una tarea destinada a una herramienta de alto rendimiento. No utilice la herramienta para tareas para las que no ha sido diseñada.
- **VISTASE DE MANERA ADECUADA.** No utilice ropas sueltas ni joyas, pueden quedar atrapadas en las partes móviles. Se recomienda el uso de guantes y calzado antiderrapante cuando trabaje a la intemperie. Cúbrase el cabello si lo tiene largo.
- **UTILICE GAFAS Y OTRO EQUIPO DE SEGURIDAD.** Utilice anteojos de seguridad

con cubiertas protectoras laterales, que cumplan con los estándares de seguridad aplicables y, cuando se requiera, una máscara. También utilice una mascarilla contra polvo si la operación de corte lo produce. Esto se aplica a todas las personas en el área de trabajo. Utilice también un casco, protección para los oídos, guantes, calzado de seguridad y sistemas recolectores de polvo cuando se especifiquen o se requieran.

- **NO MALTRATE EL CORDON ELECTRICO.** Nunca cargue la herramienta por el cable ni tire de éste para desconectarlo de la toma de corriente. Aléjelo de calor, aceite y bordes afilados.
- **ASEGURE LAS PIEZAS DE TRABAJO.** Utilice prensas para sujetar su pieza de trabajo; es más seguro que usar su mano y le deja ambas manos libres para operar la herramienta.
- **NO SE SOBREEXTIENDA.** Apoye bien los pies y conserve el equilibrio siempre.
- **CUIDE SUS HERRAMIENTAS.** Conserve sus herramientas limpias y afiladas para un rendimiento mejor y más seguro. Siga las instrucciones de lubricación y cambio de accesorios. Revise la herramienta periódicamente y si está dañada, hágala reparar por una estación de servicio autorizada. Revise los cables de extensión periódicamente y reemplácelos si están dañados. Conserve las empuñaduras secas, limpias y libres de aceite y grasa.
- **DESCONECTE LAS HERRAMIENTAS.** Desconecte la herramienta cuando no la utilice, cuando la cambie de lugar, antes de darle servicio y cuando le cambie accesorios (como brocas, puntas, cortadores) o le haga ajustes.
- **QUITTE LAS LLAVES DE AJUSTE Y LAS HERRAMIENTAS DE MANO.** Acostúmbrase a verificar que se hayan retirado todas las llaves antes de encender la unidad.
- **EVITE EL ENCENDIDO ACCIDENTAL.** No acarree la herramienta con el dedo en el interruptor. Asegúrese que el interruptor esté en posición de apagado antes de conectar la unidad.
- **CORDONES DE EXTENSION.** Asegúrese que su extensión esté en buenas condiciones. Cuando utilice una extensión, asegúrese que tenga el calibre suficiente para conducir la corriente que su herramienta necesita. Una extensión con calibre menor al necesario causará una caída en el voltaje de la línea, resultando en pérdida de potencia y sobrecalentamiento. La tabla siguiente muestra el calibre correcto para usarse, de acuerdo con la longitud de la extensión y el amperaje en la placa de identificación. Si tiene dudas, utilice el

calibre siguiente. Mientras menor sea el número del calibre, mayor será la capacidad del cable.

Volts	Calibre mínimo para cordones de extensión			
	Longitud total del cordón en metros			
120V	0-7.62	7.63-15.24	15.25-30.48	30.49-45.72
240V	0-15.24	15.25-30.48	30.49-60.96	60.97-91.44
AMPERAJE				
Más de	No más de	Calibre del cordón		
0	6	18	16	16
6	10	18	16	14
10	12	16	16	14
12	16	14	12	No Recomendado

- **CORDONES DE EXTENSION PARA INTEMPERIE.** Cuando utilice la herramienta a la intemperie, utilice únicamente extensiones destinadas para este uso y marcadas así.
- **ESTE ALERTA.** Concéntrese en lo que hace. Utilice el sentido común. No opere la herramienta si está cansado o discapacitado de alguna manera.
- **REVISE LAS PARTES DAÑADAS.** Antes de seguir usando la herramienta, debe revisar las guardas y otras partes para determinar realizarán su función adecuadamente. Revise la alineación de las partes móviles, la manera en que están sujetas, que no haya piezas o soportes rotos, y cualesquiera otras condiciones que puedan afectar la operación. Una guarda u otra pieza que esté dañada debe ser reparada o reemplazada en un centro de servicio autorizado. No use la herramienta si el interruptor no enciende y apaga.

⚠ INSTRUCCIONES DE SEGURIDAD ADICIONALES PARA ESMERILADORAS

LLEVE PUESTOS SIEMPRE ANTEOJOS DE SEGURIDAD.

CONSERVE LAS GUARDAS EN SU SITIO.

- Utilice exclusivamente ruedas de esmeril que tengan indicada en la etiqueta una velocidad máxima de operación de por lo menos las "RPM" (revoluciones

ESPAÑOL

por minuto: NO LOAD RPM) indicadas en la placa de identificación de la unidad.

- Antes de usar la herramienta, revise siempre todos los accesorios en busca de cuarteaduras o defectos. ¡Descarte de inmediato la pieza si tiene un desperfecto de esta clase! Deberá revisar, del mismo modo, la rueda cuando sospeche que la unidad ha caído o se ha golpeado.
- Al accionar la herramienta (con una rueda nueva o de reemplazo instalada), sujétela bien dentro de una zona protegida adecuadamente y déjela funcionar durante un minuto. Si la rueda tiene una cuarteadura o una hendidura inadvertidas, deberá romperse en pedazos en menos de un minuto. Nunca accione una herramienta cuando haya una persona alineada con la rueda: esto incluye al propio operador.
- Evite que la rueda opere a saltos o se maltrate mientras funciona. Si sucediera así, apague y desconecte la herramienta y revise la rueda.
- Emplee siempre guardas cuando utilice discos con centro hendido o piedras de esmerilado de copa.
- **PRECAUCION:** Algunos tipos de maderas contienen conservadores como el arsenato cúprico de cromo (CCA) que pueden ser tóxicos. Cuando lije estos materiales tenga cuidado extremo para evitar la inhalación y minimizar el contacto con la piel.

CONSERVE ESTAS INSTRUCCIONES

Carbones del motor

Master Mechanic utiliza un avanzado sistema de carbones que detiene automáticamente el motor del taladro cuando se desgastan estas piezas. Esto impide que el motor se dañe seriamente.

Operación del seguro de la flecha (fig. 2)

Oprima el seguro de la flecha y gire ésta última hasta que el perno se enganche para asegurar la flecha.

NOTA: Nunca oprima el perno de seguridad cuando la herramienta esté en funcionamiento o el disco continúe girando.

Mango auxiliar (fig. 2)

Su esmeril incluye un mango auxiliar que se puede instalar a cualquier lado de

la parte frontal del mismo. Debe usted **EMPLEAR ESTE MANGO SIEMPRE** para conservar el control total de la herramienta.

Lijado con discos abrasivos (fig. 3)

Se encuentran a su disposición accesorios de lijado con cargo extra.

INSTALACION DE DISCOS DE LIJA:

Asegúrese que la herramienta esté apagada y desconectada. Empuje el cubo de la tuerca del disco a través del centro del mismo, y también a través del disco de respaldo, hasta que asiente bien.

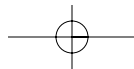
Coloque los discos ensamblados en la flecha de la herramienta e inserte la tuerca del disco al cubo. Atornille el montaje en el sentido de las manecillas del reloj hasta llegar al tope. Trabe el pasador de seguridad. Cuando utilice un disco abrasivo sujete la herramienta de modo que se produzca un ángulo de 10 a 15 grados entre el disco y el material sobre el que está trabajando, como se ilustra en la figura 4. Si sólo se emplea el borde exterior del disco de lijado, el resultado será una superficie áspera. Si se hace presión con el disco totalmente aplanado contra el objeto de trabajo, la acción de lijado resultará irregular y a saltos, y será difícil controlar la unidad.

⚠ PRECAUCIONES A TOMAR CUANDO LIJE PINTURA

1. **NO SE RECOMIENDA** el lijado de pintura con base de plomo, por la dificultad para controlar el polvo contaminado. Los niños y las mujeres embarazadas son las personas con mayor peligro de sufrir envenenamiento por plomo.
2. Ya que es difícil identificar si una pintura contiene plomo sin un análisis químico, recomendamos seguir las precauciones que siguen cuando se lije cualquier tipo de pintura.

⚠ SEGURIDAD PERSONAL

- a. No deben tener acceso al área de trabajo niños ni mujeres embarazadas hasta que ésta se encuentre perfectamente limpia.
- b. Todas las personas que ingresen en el área de trabajo deberán utilizar máscara contra polvo o un respirador. El filtro deberá reemplazarse diariamente o en el momento en que el usuario perciba dificultad para



respirar a través del dispositivo. **NOTA:** Sólo deben emplearse máscaras contra polvo adecuadas para vapores y polvos originados en pintura que contiene plomo. Las máscaras ordinarias para pintar no ofrecen ésta protección. Consulte a su distribuidor local de ferretería para que le recomiende el equipo adecuado.

- c. NO se deberá COMER, BEBER NI FUMAR en el área de trabajo, para evitar la ingestión de partículas de pintura contaminadas. El operador deberá lavarse y limpiarse ANTES de comer, beber o fumar. No se deben dejar artículos de estas clases en un área de trabajo en la que se puede asentar polvo.

SEGURIDAD AMBIENTAL

- La pintura debe removerse de manera que se minimice la cantidad generada de polvo.
- Se deben sellar los accesos a las áreas en donde se está removiendo pintura con hojas de plástico cuyo espesor mínimo sea de 0.1 mm.
- El lijado se debe realizar de manera que se reduzca la salida de polvo de pintura fuera del área de trabajo.

LIMPIEZA Y DESECHO

- Todas las superficies en el área de trabajo deben aspirarse y limpiarse diariamente mientras dure el lijado. Se deben cambiar con frecuencia los filtros de bolsa de la aspiradora.
- Las telas plásticas de recolección se deben recoger y desechar con todos los restos de polvo y de pintura. Se colocarán en recipientes desechables sellados, y se desecharán por medio del servicio de recolección regular de basura. Debe procurarse que, durante la limpieza, no haya niños ni mujeres embarazadas en las proximidades del área de trabajo.
- Todos los juguetes, mobiliario y utensilios usados por niños deben lavarse a conciencia antes de que se vuelvan a utilizar.

Remoción del disco

APAGUE Y DESCONECTE LA HERRAMIENTA

Utilice un trapo o un guante para protegerse la mano, y gire el montaje del

disco en sentido contrario a las manecillas del reloj para desmontarlo de la flecha de la unidad. Sujete la flecha con el perno de seguridad.

Esmerilado con ruedas de centro hendido (flecha 5/8"—11)

Se pueden emplear ruedas de esmerilar con centro realzado para la remoción moderada de metal en superficies planas o contorneadas.

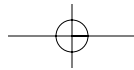
PRECAUCION: Nunca utilice ruedas de esmerilar de centro hendido sin la guarda apropiada.

Para instalar las ruedas de esmerilar de centro hendido:

- Asegúrese que la herramienta se encuentra desconectada de la toma de corriente, y que el interruptor esté en la posición "apagado".
- Verifique que el montaje de la guarda se encuentre bien sujeto sobre a la caja de engranes.
- Coloque la arandela de respaldo sobre el eje de la herramienta, como se ilustra en la figura 5.
- Verifique los límites velocidad indicados en la rueda de esmerilar de centro realzado. Nunca utilice una rueda de menor velocidad que la señalada en la placa de identificación de la herramienta.
- Coloque la rueda de esmerilar en la flecha de la herramienta como se muestra.
- Atornille la roldana de seguridad en la flecha como se muestra. Sujete éste valiéndose del perno de seguridad, y apriete la tuerca roldana con la llave. Cuando emplee usted una rueda de esmerilar de centro hendido, sujete la herramienta de modo que haga un ángulo aproximado de 30° entre la rueda y la superficie de trabajo.

Cepillos cónicos de alambre y cepillos circulares de alambre trenzado.

- Desconecte la unidad de la corriente eléctrica y verifique que el interruptor esté en posición de apagado. Deje descansar la esmeriladora sobre el dorso, con la flecha orientada hacia arriba.
- Asegúrese de que la velocidad de trabajo del cepillo de alambre sea igual o superior a la velocidad indicada para la esmeriladora en la placa de identificación.



3. Atornille el cepillo en la flecha y apriétela.

Las aplicaciones más frecuentes de los cepillos cónicos de alambre son limpieza de soldadura, ángulos y aristas, y remoción de pintura. Los cepillos circulares de alambre trenzado tienen las mismas aplicaciones, pero también se pueden utilizar para el acabado de superficies y aristas irregulares.

CEPILLOS DE ALAMBRE	Máx. 100 mm (4") Cepillo de alambre Máx. 76 mm (3") Cepillo cónico	Para remover óxido y preparación de superficies antes de pintar
---------------------	---	---

MANTENIMIENTO

Solamente utilice jabón suave y un trapo húmedo para limpiar la herramienta. Nunca permita que ningún líquido se introduzca en la herramienta; nunca sumerja ninguna parte de la herramienta en ningún líquido.

IMPORTANTE: Para garantizar la SEGURIDAD y la CONFIABILIDAD del producto, las reparaciones, el mantenimiento y los ajustes deben ser realizados por centros de servicio autorizados u otras organizaciones de servicio calificadas, que siempre utilicen partes de repuesto idénticas.

Lubricación

Las herramientas MASTER MECHANIC se lubrican apropiadamente en la fábrica y están listas para usarse.

Accesorios

El distribuidor o centro de servicio de su localidad cuentan con una gran variedad de accesorios para emplearse con su herramienta.

PRECAUCION: El empleo de cualquier accesorio o dispositivo no recomendado puede ser peligroso.

* Los discos de esmeril de centro hendido deben ajustarse dentro de los confines de la guarda y deben estar clasificados para una velocidad mayor a la indicada en la placa de identificación.

ADVERTENCIA — A fin de reducir el riesgo de lesiones, utilice siempre las guardas apropiadas cuando esmerile, y también utilice protección para los ojos.

Garantía de calidad por dos años

Este producto está garantizado por dos años contra cualquier defecto en materiales y mano de obra. Si resultara defectuoso, el producto será reparado o reemplazado sin cargo alguno. Simplemente proporcione la prueba de compra y devuelva la herramienta al lugar en que la adquirió. El desgaste normal y los daños producidos por abuso, maltrato o reparaciones por personal no autorizado no están cubiertos por esta garantía. Esta garantía no se aplica a los accesorios. Esta garantía le otorga derechos legales específicos y usted puede tener otros que pudieran variar de estado a estado.

Garantía de satisfacción sin riesgo por 30 días

Si, por cualquier motivo, usted no estuviera completamente satisfecho con el desempeño o con los resultados de este producto, dentro de los treinta días siguientes a la fecha original de compra, éste será reparado o reemplazado sin cargo alguno. Simplemente proporcione prueba de compra y devuelva la herramienta al lugar en que la adquirió.

TruServ
8600 W. Bryn Mawr Ave.
Chicago, IL 60631-3505

TIPO DE ACCESORIO	NOTAS	USO
DISCO DE CENTRO HENDIDO	Use la guarda suministrada con la herramienta	Para remoción moderada de metal y mampostería en superficies planas o contorneadas
DISCOS DE LJA		Para rebajar soldaduras, afilar bordes y piezas de carrocerías automotrices

ESPAÑOL

Free Manuals Download Website

<http://myh66.com>

<http://usermanuals.us>

<http://www.somanuals.com>

<http://www.4manuals.cc>

<http://www.manual-lib.com>

<http://www.404manual.com>

<http://www.luxmanual.com>

<http://aubethermostatmanual.com>

Golf course search by state

<http://golfingnear.com>

Email search by domain

<http://emailbydomain.com>

Auto manuals search

<http://auto.somanuals.com>

TV manuals search

<http://tv.somanuals.com>