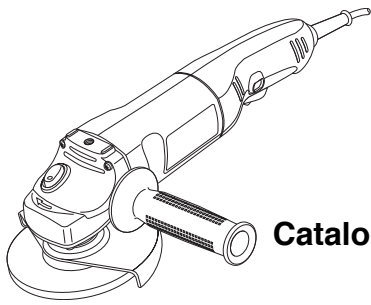


## 4-1/2" ANGLE GRINDER

# INSTRUCTION MANUAL



Catalog # G950

**BEFORE RETURNING THIS PRODUCT FOR ANY REASON PLEASE CALL 1-800-544-6986**

**IF YOU SHOULD HAVE A QUESTION OR EXPERIENCE A PROBLEM WITH YOUR BLACK & DECKER PRODUCT, CALL 1-800-544-6986**

BEFORE YOU CALL, HAVE THE FOLLOWING INFORMATION AVAILABLE, CATALOG No., TYPE No., AND DATE CODE (e.g. 0130M). IN MOST CASES, A BLACK & DECKER REPRESENTATIVE CAN RESOLVE YOUR PROBLEM OVER THE PHONE. IF YOU HAVE A SUGGESTION OR COMMENT, GIVE US A CALL. YOUR FEEDBACK IS VITAL TO BLACK & DECKER.

### INFORMATION YOU SHOULD KNOW

- Wait until grinding wheel reaches full speed before applying work.
- Hold grinder at proper angle, as shown in Figure 11 and 12.

### SAVE THIS MANUAL FOR FUTURE REFERENCE.

#### VEA EL ESPAÑOL EN LA CONTRAPORTADA.

INSTRUCTIVO DE OPERACIÓN, CENTROS DE SERVICIO Y PÓLIZA DE GARANTÍA. **ADVERTENCIA:** LEASE ESTE INSTRUCTIVO ANTES DE USAR EL PRODUCTO.

CAT. NO. G950 FORM NO. 587915-00 Copyright © 2004 Black & Decker (JUNE-04) Printed in China

### General Safety Rules


**⚠ WARNING!** Read and understand all instructions. Failure to follow all instructions listed below may result in electric shock, fire and/or serious personal injury.

#### SAVE THESE INSTRUCTIONS

### Work Area

- **Keep your work area clean and well lit.** Cluttered benches and dark areas invite accidents.
- **Do not operate power tools in explosive atmospheres, such as in the presence of flammable liquids, gases, or dust.** Power tools create sparks which may ignite the dust or fumes.
- **Keep bystanders, children, and visitors away while operating a power tool.** Distractions can cause you to lose control.

### Electrical Safety

- **Double insulated tools are equipped with a polarized plug (one blade is wider than the other.) This plug will fit in a polarized outlet only one way. If the plug does not fit fully in the outlet, reverse the plug. If it still does not fit, contact a qualified electrician to install a polarized outlet. Do not change the plug in any way.** Double insulation  eliminates the need for the three wire grounded power cord and grounded power supply system.
- **Avoid body contact with grounded surfaces such as pipes, radiators, ranges and refrigerators.** There is an increased risk of electric shock if your body is grounded.
- **Don't expose power tools to rain or wet conditions.** Water entering a power tool will increase the risk of electric shock.
- **Do not abuse the cord. Never use the cord to carry the tools or pull the plug from an outlet. Keep cord away from heat, oil, sharp edges or moving parts. Replace damaged cords immediately.** Damaged cords increase the risk of electric shock.
- **When operating a power tool outside, use an outdoor extension cord marked "W-A" or "W."** These cords are rated for outdoor use and reduce the risk of electric shock.

### Personal Safety

- **Stay alert, watch what you are doing and use common sense when operating a power tool. Do not use tool while tired or under the influence of drugs, alcohol, or medication.** A moment of inattention while operating power tools may result in serious personal injury.
- **Dress properly. Do not wear loose clothing or jewelry. Contain long hair. Keep your hair and clothing away from moving parts.** Loose clothing, jewelry, or long hair can be caught in moving parts.
- **Avoid accidental starting. Be sure switch is off before plugging in.** Carrying tools with your finger on the switch or plugging in tools that have the switch on invites accidents.
- **Remove adjusting keys or wrenches before turning the tool on.** A wrench or key that is left attached to a rotating part of the tool may result in personal injury.
- **Do not overreach. Keep proper footing and balance at all times.** Proper footing and balance enables better control of the tool in unexpected situations.
- **Use safety equipment. Always wear eye protection.** Dust mask, non-skid safety shoes, hard hat, or hearing protection must be used for appropriate conditions.

### Tool Use and Care

- **Use clamps or other practical way to secure and support the workpiece to a stable platform.** Holding the work by hand or against your body is unstable and may lead to a loss of control.
- **Do not force tool. Use the correct tool for your application.** The correct tool will do the job better and safer at the rate for which it is designed.
- **Do not use tool if switch does not turn it on or off.** Any tool that cannot be controlled with the switch is dangerous and must be repaired.
- **Disconnect the plug from the power source before making any adjustments, changing accessories, or storing the tool.** Such preventative safety measures reduce the risk of starting the tool accidentally.
- **Store idle tools out of reach of children and other untrained persons.** Tools are dangerous in the hands of untrained users.
- **Maintain tools with care. Keep cutting tools sharp and clean.** Properly maintained tools, with sharp cutting edges are less likely to bind and are easier to control.

- **Check for misalignment or binding of moving parts, breakage of parts, and any other condition that may affect the tools operation. If damaged, have the tool serviced before using.** Many accidents are caused by poorly maintained tools.
- **Use only accessories that are recommended by the manufacturer for your model.** Accessories that may be suitable for one tool, may become hazardous when used on another tool.

### Service

- **Tool service must be performed only by qualified repair personnel.** Service or maintenance performed by unqualified personnel could result in a risk of injury.
- **When servicing a tool, use only identical replacement parts. Follow instructions in the Maintenance section of this manual.** Use of unauthorized parts or failure to follow Maintenance Instructions may create a risk of electric shock or injury.

#### SAVE THESE INSTRUCTIONS

### Specific Safety Rules

- **Always use proper guard with grinding wheel.** A guard protects operator from broken wheel fragments. Always position the guard so that as much of the exposed disc as possible is pointing away from you.
- **Accessories must be rated for at least the speed recommended on the tool warning label.** Wheels and other accessories running over rated speed can fly apart and cause injury.
- **Hold tool by insulated gripping surfaces when performing an operation where the cutting tool may contact hidden wiring or its own cord.** Contact with a "live" wire will make exposed metal parts of the tool "live" and shock the operator.

### Additional Safety Rules

- **ALWAYS WEAR EYE PROTECTION.**
- **WEAR EAR PROTECTION. NOISE LEVEL MAY BE AMPLIFIED WHEN GRINDING IN ENCLOSED SPACES.**
- **KEEP GUARDS IN PLACE.**
- Use only accessories having a maximum operating speed at least as high as the speed specified in the warning on the tool's label.
- Before using, inspect recommended accessory for cracks or flaws. If such a crack or flaw is evident, discard the accessory. The accessory should also be inspected whenever you think the tool may have been dropped.
- When starting the tool (with a new or replacement wheel or brush installed) hold the tool in a well protected area and let it run for one minute. If the wheel or brush has an undetected crack or flaw, it should burst or separate in less than one minute. Never start the tool with a person in line with the accessory. This includes the operator.
- In operation, avoid bouncing the wheel or giving it rough treatment. If this occurs, stop the tool and inspect the wheel.
- **ALWAYS USE GUARDS** with grinding wheels and wire brushes. Always position the guard so that as much of the exposed wheel or wire brush as possible is pointing away from you.
- Clean your tool out periodically.
- Do not use Type 1 flat cut-off abrasive or diamond wheels without proper guard. (Guard not included with unit.)

**⚠ WARNING:** Some dust created by power sanding, sawing, grinding, drilling, and other construction activities contains chemicals known to cause cancer, birth defects or other reproductive harm. Some examples of these chemicals are:

- lead from lead-based paints,
- crystalline silica from bricks and cement and other masonry products, and
- arsenic and chromium from chemically-treated lumber (CCA).

Your risk from these exposures varies, depending on how often you do this type of work. To reduce your exposure to these chemicals: work in a well ventilated area, and work with approved safety equipment, such as those dust masks that are specially designed to filter out microscopic particles.

- **Avoid prolonged contact with dust from power sanding, sawing, grinding, drilling, and other construction activities.** Wear protective clothing and wash exposed areas with soap and water. Allowing dust to get into your mouth, eyes, or lay on the skin may promote absorption of harmful chemicals.

**⚠ WARNING:** Use of this tool can generate and/or disperse dust, which may cause serious and permanent respiratory or other injury. Always use NIOSH/OSHA approved respiratory protection appropriate for the dust exposure. Direct particles away from face and body.

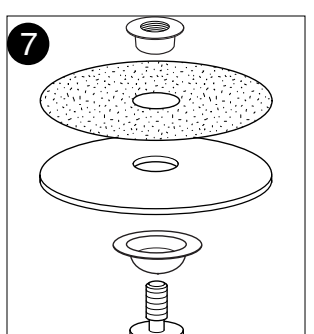
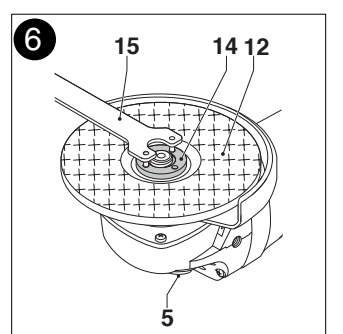
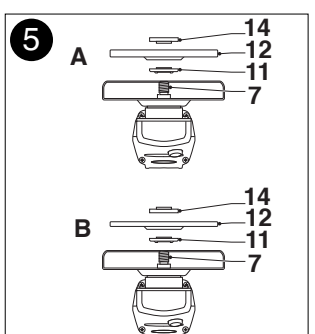
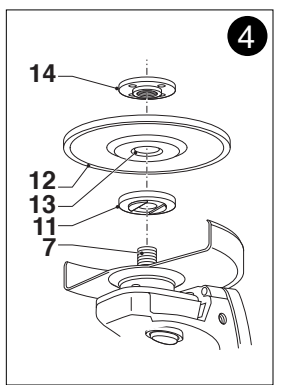
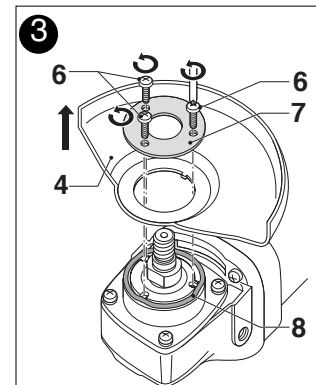
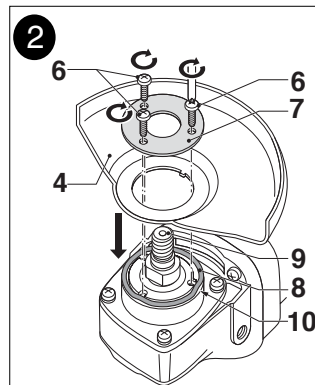
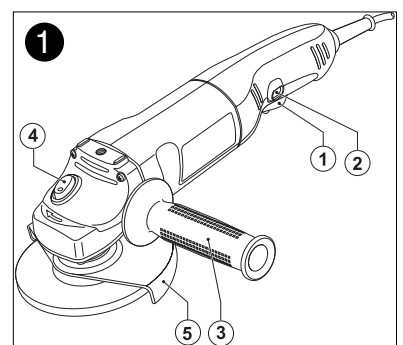
**⚠ CAUTION:** Wear appropriate hearing protection during use. Under some conditions and duration of use, noise from this product may contribute to hearing loss.

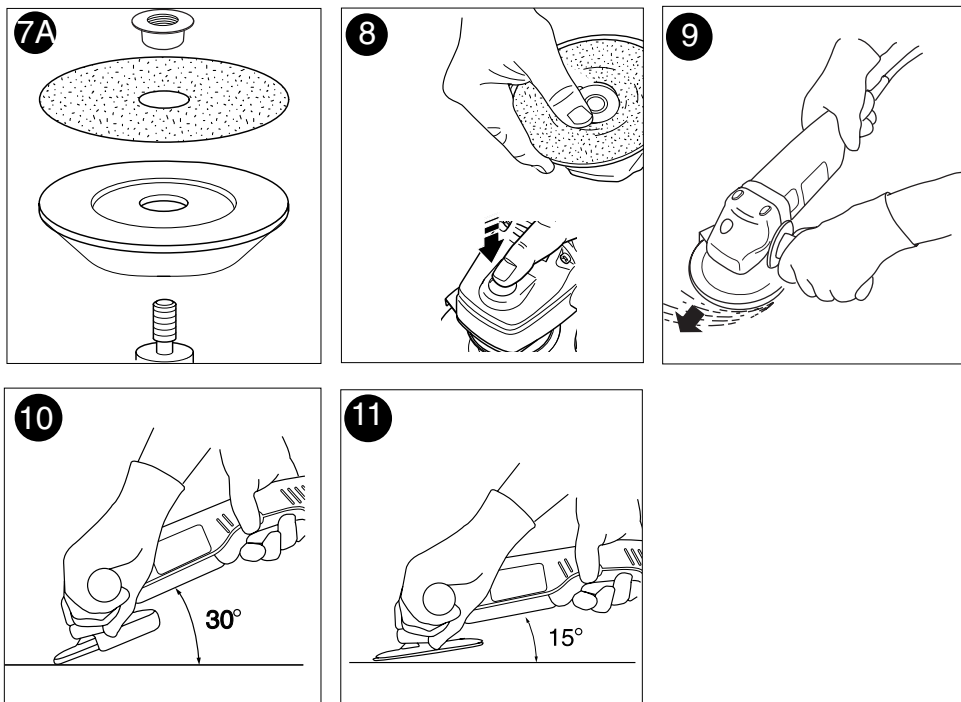
- **Do not operate this tool for long periods of time.** Vibration caused by the operating action of this tool may cause permanent injury to fingers, hands, and arms. Use gloves to provide extra cushion, take frequent rest periods, and limit daily time of use.

The label on your tool may include the following symbols.

V .....	volts	A .....	amperes
Hz .....	hertz	W .....	watts
min .....	minutes	~ .....	alternating current
— — — .....	direct current	n <sub>o</sub> .....	no load speed
☐ .....	Class II Construction	⊕ .....	earthing terminal
⚠ .....	safety alert symbol		
SPM .....	strokes per minute		
.../min .....	revolutions or reciprocations per minute		

1. On/off switch  
Interrupteur Marche/Arrêt  
Conmutador de encendido y apagado
2. Lock-on button  
Bouton de verrouillage en position de marche  
Botón de bloqueo en encendido
3. Side handle  
Poignée latérale  
Mango lateral
4. Spindle lock  
Bouton de verrouillage de la broche  
Seguro del eje
5. Guard  
Dispositif de protection  
Protector





### Extension Cord

When using an extension cord, be sure to use one heavy enough to carry the current your product will draw. An undersized cord will cause a drop in line voltage resulting in loss of power and overheating. The table below shows the correct size to use depending on cord length and nameplate ampere rating. If in doubt, use the next heavier gage. The smaller the gage number, the heavier the cord.

Volts	Minimum Gage for Cord Sets			
	Total Length of Cord in Feet			
120V	0-25	26-50	51-100	101-150
240V	0-50	51-100	101-200	201-300
Ampere Rating		American Wire Gage		
More Than	Not more Than			
0	6	18	16	14
6	10	18	16	12
10	12	16	16	12
12	16	14	12	Not Recommended

### Motor

Your tool is powered by a Black & Decker specified motor. Be sure your power supply agrees with the nameplate marking. A marking of 120 volts, 50/60 Hz or 120 volts, AC only means that the tool is designed to operate on normal 120 volt house current. Voltage decrease of more than 10% will cause loss of power and overheating. All Black & Decker tools are factory tested. If this tool does not run, check the power supply.

## ASSEMBLY

**⚠ WARNING:** To prevent accidental operation, turn off and unplug tool before performing the following operations. Failure to do this could result in serious personal injury.

### Attaching the Wheel Guard - Fig. 2

- ⚠ **WARNING:** NEVER GRIND OR BRUSH WITHOUT GUARD IN PLACE.
- Place the tool on a table, with the spindle (9) facing up.
- Place the spring washer (8) over the spindle and locate it on the shoulder (10).
- Place the guard (4) onto the tool as shown.
- Place the flange (7) over the spindle with the protruding pips towards the guard. Make sure that the holes in the flange align with the screw holes.
- Secure the flange with the screws (6). Make sure that the screws are fully tight and that the guard can be rotated.

### Removing the Wheel Guard (For Sanding Only) - Fig. 3

⚠ **CAUTION:** To prevent loss of control, do not set tool down until accessory has completely stopped turning.

This tool is fitted with a guard. For sanding only, you can remove the guard as follows:

- Remove the outer flange, disc and inner flange if they have been attached.
- Use a screwdriver to remove the screws (6).
- Remove the flange (7), guard (4) and spring washer (8). Store these parts carefully.

### Adjusting the Guard

- The guard can be rotated 90°.
- Rotate the guard as required.

### Fitting the Side Handle

- A three position auxiliary handle (4) is furnished with your grinder and can be screwed into either side of the grinder housing as well as into the top.
- ⚠ **WARNING:** This handle SHOULD BE USED AT ALL TIMES to maintain complete control of the tool. Always make sure the handle is tight.

### Fitting and Removing Depressed Center Wheels - Fig. 4 - 6

⚠ **CAUTION:** Never use any depressed-center wheels without the proper guard.

#### Fitting - Figure 4,5

- Fit the guard as described above.
- Place the inner flange (11) onto the spindle (7) as shown (fig. 4). Make sure that the flange is correctly located on the flat sides of the spindle.
- Place the disc (12) onto the spindle (7) as shown (fig. 4). If the disc has a raised center (13), make sure that the raised center faces the inner flange.
- Make sure that the disc locates correctly on the inner flange.
- Place the outer flange (14) onto the spindle. When fitting a grinding disc, the raised center on the outer flange must face towards the disc (A in fig. 5). When fitting a cutting disc, the raised center on the outer flange must face away from the disc (B in fig. 5).
- Keep the spindle lock (5) depressed and tighten the outer flange using the two-pin spanner (15) (fig. 6).
- When using a depressed-center wheel, hold the tool so that an angle of approximately 30° exists between the wheel and the work.
- When using ready-mount or hubbed wheels, flanges are not required.

⚠ **WARNING:** Check rated speed on depressed-center wheel. Never use a wheel with rated speed lower than the speed on the nameplate of the tool.

#### EDGE GRINDING

Edge grinding may be done with Type 27 depressed center wheels specifically designed for this purpose. These wheels are available locally. They must not be subject to side pressure.

⚠ **CAUTION:** Wheels used for edge grinding may break if they bend or twist while being used for cut-off work or deep grinding. To reduce the risk of serious injury, limit the use of these wheels to shallow cutting and notching (less than 1/2" in depth). The open side of the guard must be positioned away from the operator.

### Removing - Figure 6

- Keep the spindle lock (5) depressed and loosen the outer flange (14) using the two-pin spanner (15) (fig. 6).
- Remove the outer flange (14) and the disc (12).

### Fitting Wire Cup Brushes & Stringer Bead/Cable Twist Brushes

Wire brushes screw directly on the spindle of the machine without the use of flanges. When using wire brushes, thread firmly on spindle by hand.

### Fitting Abrasive Discs

- Use an abrasive disc with a backing pad for sanding with your angle grinder.
- Remove the guard.

- Place the flange, (backing pad and abrasive disc sold separately) and outer flange on the spindle as shown in Figure 7. Figure 7A shows how to attach an abrasive disc with a rubber backing pad.
- Tighten the abrasive disc as shown in Figure 8 by depressing the spindle lock button and turning the abrasive disc by hand.

## OPERATION

⚠ **WARNING:** Let the tool work at its own pace. Do not overload.

### Switching On and Off

- To switch the tool on, press the on/off switch (1).
- For continuous operation, press the lock-on button (2) and release the on/off switch.
- To switch the tool off, release the on/off switch. To switch the tool off in continuous operation, press the on/off switch once more and release it.

⚠ **WARNING:** Do not switch the tool off while under load.

### Overload

Overloading will cause damage to the motor of your angle grinder. This can happen if your angle grinder is subjected to heavy use for prolonged periods of time. Do not in any circumstances, attempt to exert too much pressure on your angle grinder to speed up your work. The abrasive discs operate more efficiently when light pressure is exerted, thus avoiding a drop in the speed of your angle grinder.

## SANDING

### Precautions to Take When Sanding Paint

- Sanding of lead based paint is NOT RECOMMENDED due to the difficulty of controlling the contaminated dust. The greatest danger of lead poisoning is to children and pregnant women.
- Since it is difficult to identify whether or not a paint contains lead without a chemical analysis, we recommend the following precautions when sanding any paint:

### Personal Safety

- No children or pregnant women should enter the work area where the paint sanding is being done until all cleanup is completed.
- A dustmask or respirator should be worn by all persons entering the work area. The filter should be replaced daily or whenever the wearer has difficulty breathing.

**NOTE:** Only those dustmasks suitable for working with lead paint dust and fumes should be used. Ordinary painting masks do not offer this protection. See your local hardware dealer for the NIOSH approved proper mask.

### Environmental Safety

- Paint should be removed in such a manner as to minimize the amount of dust generated.
- Areas where paint removal is occurring should be sealed with plastic sheeting of 4 mils thickness.
- Sanding should be done in a manner to reduce tracking of paint dust outside the work area.

## GENERAL INFORMATION

### Helpful Hints

- Hold your angle grinder with one hand on the body and the other hand firmly around the side handle as shown in Figure 9.
- Always position the guard so that as much of the exposed disc as possible is pointing away from you.
- Be prepared for a stream of sparks when the disc touches the metal.
- Maintain an angle between the disc and work surface (Fig. 10) of approximately 30° when grinding and 10°-15° when sanding ( Fig. 11) for best tool control, material removal, and minimal loading.
- ⚠ **CAUTION:** Use extra care when grinding into a corner as a sudden, sharp movement of the grinder may be experienced when the wheel contacts a secondary surface.
- ⚠ **WARNING:** Always wear eye protection while operating this power tool.

### Maintenance

#### Cleaning

Blowing dust and grit out of the motor housing using compressed air is a necessary maintenance procedure.

⚠ **CAUTION:** Dust and grit from metal grinding often accumulate on interior surfaces and could create an electrical shock hazard if not cleaned out.

Use only mild soap and a damp cloth to clean the tool. Never let any liquid get inside the tool; never immerse any part of the tool into a liquid.

**IMPORTANT:** To assure product SAFETY and RELIABILITY, repairs, maintenance and adjustment should be performed by authorized service centers or other qualified service personnel, always using identical replacement parts.

#### Lubrication

Black & Decker tools are properly lubricated at the factory and are ready for use. Tools should be lubricated regularly every year depending on usage. (Tools used on heavy duty jobs and tools exposed to heat may require more frequent lubrication.) This lubrication should be attempted only by trained power tool repairperson's such as those at Black & Decker service centers or in other qualified service personnel.

#### Accessories

Recommended accessories for use with your tool are available from your local dealer or authorized service center. If you need assistance regarding accessories, please call:

**1-800-54-HOW-TO (544-6986).**

⚠ **WARNING:** The use of any accessory not recommended for use with this tool could be hazardous.

#### Service Information

Black & Decker offers a full network of company-owned and authorized service locations throughout North America. All Black & Decker Service Centers are staffed with trained personnel to provide customers with efficient and reliable power tool service.

Whether you need technical advice, repair, or genuine factory replacement parts, contact the Black & Decker location nearest you. To find your local service location, refer to the yellow page directory under "Tools—Electric" or call: 1-800-54-HOW TO.

#### Full Two-Year Home Use Warranty

Black & Decker (U.S.) Inc. warrants this product for two years against any defects in material or workmanship. The defective product will be replaced or repaired at no charge in either of two ways.

The first, which will result in exchanges only, is to return the product to the retailer from whom it was purchased (provided that the store is a participating retailer). Returns should be made within the time period of the retailer's policy for exchanges (usually 30 to 90 days after the sale). Proof of purchase may be required. Please check with the retailer for their specific return policy regarding returns that are beyond the time set for exchanges.

The second option is to take or send the product (prepaid) to a Black & Decker owned or authorized Service Center for repair or replacement at our option. Proof of purchase may be required. Black & Decker owned and authorized Service Centers are listed under "Tools-Electric" in the yellow pages of the phone directory.

This warranty does not apply to accessories. This warranty gives you specific legal rights and you may have other rights which vary from province to province. Should you have any questions, contact the manager of your nearest Black & Decker Service Center. This product is not intended for commercial use.

**FREE WARNING LABEL REPLACEMENT:** If your warning labels become illegible or are missing, call 1-800-544-6986 for a free replacement.

Imported by  
Black & Decker (U.S.) Inc.,  
701 E. Joppa Rd.  
Towson, MD 21286 U.S.A.



See 'Tools-Electric'  
- Yellow Pages -  
for Service & Sales



# GUIDE D'UTILISATION

## RENSEIGNEMENTS À RETENIR

- Attendre que la meule atteigne sa vitesse maximale avant de la poser sur l'ouvrage.
- Tenir la meuleuse à l'angle approprié, tel qu'illustré à la fig.11, fig. 12.

## Règles de sécurité - Généralités

**⚠AVERTISSEMENT!** Lire et comprendre toutes les directives. Le non-respect de toutes les directives suivantes présente des risques de secousses électriques, d'incendie ou de blessures graves.

### CONSERVER CES DIRECTIVES

#### Zone de travail

- **S'assurer que la zone de travail est propre et bien éclairée.** Des établis encombrés et des endroits sombres présentent des risques d'accidents.
- **Ne pas utiliser des outils électriques en présence de vapeurs explosives (comme celles dégagées par des liquides, des gaz ou des poussières inflammables).** Les étincelles générées par le moteur des outils électriques peuvent enflammer les poussières ou les vapeurs.
- **Éloigner les curieux, les enfants et les visiteurs de la zone de travail lorsqu'on utilise un outil électrique.** Une distraction peut entraîner la perte de maîtrise de l'outil.

#### Mesures de sécurité – Électricité

- **Les outils à double isolation comportent une fiche polarisée (une lame plus large que l'autre). La fiche n'entre que d'une façon dans une prise polarisée. Lorsque la fiche n'entre pas à fond dans la prise, essayer de nouveau après avoir inversé les broches de la fiche. Si la fiche n'entre toujours pas dans la prise, communiquer avec un électricien certifié afin de faire installer une prise polarisée. Ne modifier en aucune façon la fiche.** La double isolation ▣ élimine le besoin d'un cordon trifilaire mis à la terre et d'un système d'alimentation mis à la terre.
- **Éviter de toucher à des surfaces mises à la terre comme des tuyaux, des radiateurs, des cuisinières et des réfrigérateurs.** Les risques de secousses électriques sont plus élevés si le corps de l'utilisateur est mis à la terre.
- **Protéger les outils électriques de la pluie ou des conditions mouillées.** Une infiltration d'eau dans l'outil augmente les risques de secousses électriques.
- **Manipuler le cordon avec soin. Ne jamais se servir du cordon afin de transporter l'outil ni tirer sur le cordon pour débrancher l'outil. Éloigner le cordon des sources de chaleur, des flaques d'huile, des arêtes tranchantes et des pièces mobiles. Remplacer immédiatement les cordons endommagés.** Les cordons endommagés augmentent les risques de secousses électriques.
- **Lorsqu'on utilise un outil électrique à l'extérieur, se servir d'un cordon de rallonge prévu pour l'extérieur, portant la mention "W-A" ou "W".** Ces cordons sont conçus pour servir à l'extérieur et minimisent les risques de secousses électriques.

#### Sécurité personnelle

- **Demeurer vigilant, prendre soin et faire preuve de jugement lorsqu'on utilise un outil électrique. Ne pas s'en servir lorsqu'on est fatigué ou affaibli par des drogues, de l'alcool ou des médicaments.** De graves blessures peuvent résulter d'un moment d'inattention lors de l'utilisation d'un outil électrique.
- **Porter des vêtements appropriés. Éviter de porter des vêtements amples ou des bijoux. Recouvrir la chevelure si elle est longue.** Éloigner les cheveux, les vêtements et les gants des pièces en mouvement qui peuvent les happer.
- **Éviter les démarrages accidentels. S'assurer que l'interrupteur est en position hors tension avant de brancher l'outil.** Afin d'éviter les risques de blessures, ne pas transporter l'outil avec le doigt sur l'interrupteur ni brancher un outil dont l'interrupteur est en position sous tension.
- **Enlever les clés de réglage avant de mettre l'outil sous tension.** Une clé qui est laissée sur une pièce rotative de l'outil présente des risques de blessures.
- **Ne pas dépasser sa portée. Garder son équilibre en tout temps.** On s'assure d'une meilleure maîtrise de l'outil dans des situations imprévues grâce à une position stable et un bon équilibre.
- **Porter de l'équipement de sécurité. Toujours porter des lunettes de sécurité.** Dans certaines conditions, il faut porter des masques respiratoires, des chaussures antidérapantes, un casque de sécurité ou des protège-tympans.

#### Utilisation et entretien de l'outil

- **Utiliser des pinces de serrage ou de tout autre moyen pratique afin de fixer et de soutenir la pièce à ouvrir sur une plate-forme stable.** La pièce est instable lorsqu'elle est retenue par la main ou le corps de l'utilisateur. Cela présente des risques de perte de maîtrise de l'outil.
- **Ne pas forcer l'outil. Utiliser l'outil approprié à la tâche.** L'outil approprié fonctionne mieux et sûrement lorsqu'on s'en sert à son rendement nominal.
- **Ne pas se servir de l'outil lorsque l'interrupteur est défectueux.** Le cas échéant, l'outil est dangereux et il faut le réparer.
- **Débrancher l'outil de la source d'alimentation avant de le régler, d'en remplacer les accessoires ou de le ranger.** On minimise de la sorte le risque de démarrage accidentel de l'outil.
- **Ranger l'outil hors de portée des enfants et de toute autre personne qui n'en connaît pas le fonctionnement.** L'outil est dangereux entre les mains de ces personnes.
- **Prendre soin des outils. S'assurer que les outils de coupe sont tranchants et propres.** Des outils bien entretenus à arêtes tranchantes ont moins tendance à se coincer et ils se maîtrisent mieux.
- **Vérifier l'alignement et les attaches des pièces mobiles, le degré d'usure des pièces ainsi que tout autre facteur susceptible de nuire au bon fonctionnement de l'outil. Faire réparer un outil endommagé avant de s'en servir.** Des outils mal entretenus sont la cause de nombreux accidents.
- **Utiliser seulement les accessoires recommandés par le fabricant.** Des accessoires qui conviennent à un outil peuvent présenter des risques avec un autre outil.

#### Entretien

- **Confier l'entretien de l'outil seulement à du personnel qualifié.** Le non-respect de la présente directive présente des risques de blessures.
- **Lors de l'entretien de l'outil, utiliser seulement des pièces de rechange identiques. Respecter les consignes relatives à l'entretien du présent guide d'utilisation.** Il y a un risque de secousses électriques ou de blessures lorsqu'on utilise des pièces non autorisées ou lorsqu'on ne respecte pas les consignes relatives à l'entretien

### CONSERVER CES DIRECTIVES

#### Règles de sécurité particulières

- **Toujours utiliser le dispositif de protection** qui convient à la meule afin de protéger l'opérateur des fragments pouvant être projetés par une meule brisée.
- **La vitesse des accessoires doit correspondre à la vitesse minimale recommandée indiquée sur l'étiquette d'avertissement de l'outil,** car les meules et les accessoires qui sont réglées à une vitesse trop élevée peuvent se briser et occasionner des blessures lorsque des fragments de métal sont projetés en l'air.
- **Tenir l'outil par les surfaces isolées prévues à cette fin lorsqu'il risque d'entrer en contact avec des fils cachés ou son propre cordon,** car de tels contacts peuvent mettre les pièces métalliques de l'outil sous tension, engendrant des risques de choc électrique.

#### Règles de sécurité Additionnelles

- **TOUJOURS PORTER DES LUNETTES DE PROTECTION.**
- **PORTER UN DISPOSITIF DE PROTECTION POUR LES OREILLES. LE NIVEAU DE BRUIT PEUT ÊTRE AMPLIFIÉ LORS DU MEULAGE EN ESPACE CLOS.**
- **TOUJOURS LAISSER LE DISPOSITIF DE PROTECTION EN PLACE.**
- N'utiliser que des meules ayant une vitesse de fonctionnement maximale équivalant au moins à la vitesse de rotation à vide (No Load RPM) marquée sur la plaque signalétique de l'outil.
- Avant d'utiliser un accessoire recommandé, le vérifier afin de s'assurer qu'il n'y ait ni bris ni fissure. Si on y trouve de tels défauts, mettre l'accessoire au rebut. Inspecter également l'accessoire chaque fois qu'il subit une chute.
- Lorsqu'on démarre l'outil (après y avoir installé une meule neuve ou de rechange), se tenir dans un endroit bien protégé et le faire fonctionner pendant une minute, car si l'outil est fissuré ou brisé, il devrait éclater en moins d'une minute. Ne jamais démarrer un outil lorsque quelqu'un, y compris l'opérateur, se tient directement devant lui.
- Éviter de faire rebondir la meule durant son fonctionnement ou de l'utiliser de manière abusive. Si la meule subit de tels traitements, arrêter l'outil et inspecter cette dernière.

Download from [Www.Somanuals.com](http://www.Somanuals.com). All Manuals Search And Download.

- **TOUJOURS UTILISER UN DISPOSITIF DE PROTECTION** lorsqu'on se sert de meules à moyeu déporté ou de meules boisseaux coniques.
- Nettoyer l'outil périodiquement.
- Ne jamais utiliser de meules abrasives ou de meules diamant à tronçonner par trait bas de Type 1 sans avoir d'abord installé un dispositif de protection adéquat. (Le dispositif de protection n'est pas fourni avec l'outil.)

**⚠AVERTISSEMENT : Certains outils électriques, tels que les sableuses, les scies, les meules, les perceuses ou certains autres outils de construction, peuvent produire de la poussière contenant des produits chimiques susceptibles d'entraîner le cancer, des malformations congénitales ou pouvant être nocifs pour le système reproductif. Parmi ces produits chimiques, on retrouve :**

- le plomb dans les peintures à base de plomb,
  - la silice cristalline dans les briques et le ciment et autres produits de maçonnerie,
  - l'arsenic et le chrome dans le bois de sciage ayant subi un traitement chimique (comme l'arséniate de cuivre et de chrome).
- Le risque associé à de telles expositions varie selon la fréquence avec laquelle on effectue ces travaux. Pour réduire l'exposition à de tels produits, il faut travailler dans un endroit bien aéré et utiliser le matériel de sécurité approprié, tel un masque anti-poussières spécialement conçu pour filtrer les particules microscopiques.
- **Éviter tout contact prolongé avec la poussière soulevée par cet outil ou autres outils électriques. Porter des vêtements de protection et nettoyer les parties exposées du corps à l'eau savonneuse.** S'assurer de bien se protéger afin d'éviter d'absorber par la bouche, les yeux ou la peau des produits chimiques nocifs.

**⚠AVERTISSEMENT : Cet outil peut produire et répandre de la poussière susceptible de causer des dommages sérieux et permanents au système respiratoire.** Toujours utiliser un appareil respiratoire anti-poussières approprié approuvé par le NIOSH ou l'OSHA. Diriger les particules dans le sens opposé du visage et du corps.

**⚠ MISE EN GARDE : Porter un dispositif approprié de protection de l'ouïe lors de l'utilisation du produit.** Dans certaines conditions et durées d'utilisation, le produit peut émettre un niveau de bruit provoquant la perte de l'ouïe.

- **Ne pas utiliser cet outil pendant des périodes prolongées.** Les vibrations causées par l'action de fonctionnement de l'outil peuvent blesser en permanence les doigts, les mains et les bras. Porter des gants pour amortir les vibrations, faire des pauses fréquentes et limiter le temps d'utilisation quotidien de l'outil.

*L'étiquette de l'outil peut comporter les symboles suivants.*

<i>V</i> .....	<i>volts</i>	<i>A</i> .....	<i>ampères</i>
<i>Hz</i> .....	<i>hertz</i>	<i>W</i> .....	<i>watts</i>
<i>min</i> .....	<i>minutes</i>	<i>~</i> .....	<i>courant alternatif</i>
<i>----</i> .....	<i>courant continu</i>	<i>n<sub>o</sub></i> .....	<i>sous vide</i>
<span>▣</span> .....	<i>Construction de classe II</i>	<span>⊕</span> .....	<i>borne de mise à la minute</i>
<span>⚠</span> .....	<i>symbole d'avertissement</i>	<i>.../min</i> .....	<i>tours ou courses à la minute</i>
		<i>SPM</i> .....	<i>courses/min</i>

#### Rallonges

Lorsqu'on doit se servir d'une rallonge, il faut s'assurer qu'elle puisse transporter le courant requis; si la rallonge est trop petite, la tension de ligne diminuera, provoquant une perte de puissance et la surchauffe de l'outil. Le tableau ci-dessous indique le calibre à utiliser selon la longueur du cordon et l'intensité nominale apparaissant sur la plaque signalétique. En cas de doute, utiliser le calibre supérieur (il est à noter que plus le chiffre est petit, plus le calibre du cordon est grand).

Calibre minimal des cordons de rallonge					
Tension	Longueur totale du cordon en pieds				
120 V	De 0 à 25	De 26 à 50	De 51 à 100	De 101 à 150	
240 V	De 0 à 50	De 51 à 100	De 101 à 200	De 201 à 300	
Intensité (A)		Calibre moyen de fil			
Au moins	Au plus				
0	- 6	18	16	16	14
6	- 10	18	16	14	12
10	- 12	16	16	14	12
12	- 16	14	12	Non recommandé	

#### Moteur

Le moteur de cet outil a été conçu par Black & Decker. On doit s'assurer que l'alimentation corresponde aux valeurs nominales de la plaque signalétique. La marque «120 volts, 50/60 Hz» ou «120 volts, AC only» (120 volts c.a. seulement) signifie que l'outil peut être alimenté par un courant résidentiel standard. Les baisses de tension de plus de 10 % engendrent des pertes de puissance et une surchauffe de l'outil. Tous les outils Black & Decker sont testés en usine; si celui-ci ne fonctionne pas, on doit d'abord vérifier l'alimentation.

## ASSEMBLAGE

**⚠ AVERTISSEMENT : Pour prévenir tout accident, arrêter et débrancher l'outil avant d'effectuer les opérations suivantes.** Tout manquement à cette règle pose des risques de blessure grave.

#### Fixation du dispositif de protection de la meuleuse (Fig. 2)

- **⚠ AVERTISSEMENT : NE JAMAIS MEULER OU BROSSER SANS LE DISPOSITIF DE PROTECTION EN PLACE.**
- Disposer l'outil sur une table, avec le coté broche (9) sur le dessus.
- Installer le disque à ressort (8) sur la broche puis le poser sur le support (10).
- Installer le dispositif de protection (4) sur l'outil comme illustré.
- Installer la bride (7) sur la broche avec les pointes en relief contre le dispositif de protection. S'assurer que les trous sur la bride s'alignent avec les trous de vis.
- Fixer solidement la bride à l'aide des vis (6). S'assurer que les vis sont serrées à fond et que le dispositif de protection peut tourner.

#### Retrait du dispositif de protection de la meuleuse (Ponçage seulement) (Fig. 3)

**⚠ MISE EN GARDE : Afin de ne pas perdre la maîtrise de l'outil, attendre que l'accessoire se soit immobilisé complètement avant de déposer l'outil.**

C'est outil est équipé d'un dispositif de protection. Pour le ponçage seulement, il est possible de retirer ce dispositif de protection comme suit :

- Retirer la bride externe, le disque et la bride interne s'ils ont été fixés.
- Utiliser un tournevis pour retirer les vis (6).
- Retirer la bride (7), le dispositif de protection (4) et le disque à ressort (8). Mettre ces pièces soigneusement de côté.

#### Réglage du dispositif de protection.

- Le dispositif de protection peut faire une rotation de 90°.
- Faire tourner le dispositif de protection comme nécessaire.

#### Installation de la poignée latérale

- Une poignée auxiliaire à trois positions (4) est fournie avec l'outil; on peut l'installer d'un côté ou de l'autre du logement, ainsi que sur le dessus de l'outil.

**⚠ AVERTISSEMENT : IL FAUT UTILISER cette poignée EN TOUT TEMPS** afin de bien maîtriser l'outil. Toujours s'assurer qu'elle est fixée solidement.

#### Installation et retrait d'une meule à moyeu déporté (fig. 4 - 6)

**⚠ MISE EN GARDE : Ne jamais utiliser de meules à moyeu déporté sans le dispositif de protection adéquate.**

#### Installation (Fig 4, 5)

- Installer le dispositif de protection comme décrit ci-dessus.
- Installer la bride interne (11) sur la broche (7) comme illustré en **figure 4**. S'assurer que la bride est correctement posée sur les côtés plats de la broche.
- Installer le disque (12) sur la broche (7) comme illustré en **figure 4**. Si le disque possède un centre en relief (13), s'assurer que ce centre en relief est contre la bride interne.
- S'assurer que le disque est correctement placé sur la bride interne.
- Mettre la bride externe (14) sur la broche. Lors de l'installation d'un disque à meuler, le

centre en relief sur la bride externe doit se trouver contre le disque (**A en fig. 5**). Lors de l'installation d'un disque à découper, le centre en relief sur la bride externe doit se trouver à l'opposé du disque (**B en fig. 5**).

- Maintenir le bouton de verrouillage de la broche (5) enfoncé et serrer la bride externe à l'aide de la clé à deux ergots (15) (**Fig. 6**).
- Lors de l'utilisation d'une meule à moyeu déporté, tenir l'outil de façon à maintenir un angle de 30° entre la meule et le travail en cours.
- Des brides ne sont pas requises lorsqu'on utilise une meule prête à installer ou une meule à moyeu.

**⚠ AVERTISSEMENT** : Vérifier la vitesse nominale de la meule à moyeu déporté. Ne jamais utiliser l'outil lorsque la vitesse est inférieure à celle indiquée sur la plaque signalétique de l'outil.

### Meulage de bords

On peut meuler des bords au moyen de meules no 27 et de meules à moyeu spécialement conçues pour ce type de travaux particuliers; ces meules sont disponibles localement. On doit éviter de les soumettre à une pression latérale.

**⚠ MISE EN GARDE** : Ces meules peuvent se briser si elles sont pliées ou tordues lorsqu'on effectue des travaux de tronçonnage ou de meulage profond. Afin de réduire les risques de blessure grave, on ne doit l'utiliser que pour effectuer des coupes ou des entailles de faible profondeur (soit de moins de 13 mm ou 1/2 po de profondeur). Orienter l'ouverture du dispositif de protection dans le sens opposé de l'opérateur.

### Retrait (Fig 6)

- Maintenir le bouton de verrouillage de la broche (5) enfoncé et desserrer la bride externe (14) à l'aide de la clé à deux ergots (15) (**fig. 6**).
- Retirer la bride externe (14) et le disque (12).

### Installation de brosses métalliques en forme de coupelles, de brosses à billes métalliques et de brosses à torsion de câblage

On peut visser une brosse métallique directement sur la broche de la machine sans avoir à utiliser de brides. Lorsqu'on utilise une brosse métallique, on doit la visser fermement sur la broche à la main.

### Installation de disques abrasifs

Utiliser un disque abrasif avec un tampon de soutien pour poncer avec une meuleuse angulaire.

- Retirer le dispositif de protection.
- Installer la bride interne et la bride externe sur la broche comme illustré en **figure 7** (les tampons de soutien et disques abrasifs sont vendus séparément). La **figure 7A** illustre comment rattacher un disque abrasif avec un tampon de soutien en caoutchouc.
- Serrer le disque abrasif comme illustré en **figure 8** en enfonçant le bouton de verrouillage de la broche et en faisant tourner le disque abrasif à la main.

## FONCTIONNEMENT

**⚠ AVERTISSEMENT** : Laisser l'outil fonctionner à son propre rythme. Ne pas le forcer.

### Mise en marche et arrêt de l'outil

- Pour mettre l'outil en marche, appuyer sur le bouton on/off (marche/arrêt) (1).
- Pour un travail continu, enfoncer le bouton de verrouillage (2) puis relâcher l'interrupteur marche/arrêt.
- Pour arrêter l'outil, relâcher le bouton marche/arrêt. Pour arrêter l'outil en mode continu, appuyer sur le bouton marche/arrêt encore une fois puis relâcher.

**⚠ AVERTISSEMENT** : Ne pas arrêter l'outil lorsqu'il est en contact avec une surface quelconque.

### Surcharges

Les surcharges peuvent endommager le moteur des meuleuses d'angle. Elles se produisent généralement quand l'outil est utilisé à plein rendement pendant de longues périodes de temps. On ne doit jamais, sous aucun prétexte, exercer trop de pression sur l'outil dans le but d'accélérer le travail. Les disques abrasifs sont plus efficaces quand on n'appuie que légèrement sur la meuleuse, ce qui permet d'éviter de ralentir l'outil.

## PONÇAGE

### Mesures de précaution - ponçage de la peinture

- Le ponçage de peinture à base de plomb n'est PAS RECOMMANDÉ car il est trop difficile de maîtriser la poussière contaminée. Les enfants et les femmes enceintes courent le plus grand risque d'intoxication par le plomb.
- Puisqu'il est difficile de savoir, sans une analyse chimique, si une peinture contient du plomb, on recommande de suivre les mesures de précaution décrites ci-après.

### Sécurité personnelle

- S'assurer qu'aucun enfant ni femme enceinte n'entre dans la zone de travail avant qu'elle ait été nettoyée à fond.
- Toute personne qui entre dans la zone de travail doit porter un masque antipoussière ou un appareil respiratoire; le filtre doit être remplacé chaque jour ou lorsque la respiration devient difficile.

**REMARQUE : SEULS LES MASQUES QUI PROTÈGENT CONTRE LES POUSSIÈRES ET LES ÉMANATIONS DE PLOMB DOIVENT ÊTRE UTILISÉS, CAR LES MASQUES ORDINAIRES N'OFFRENT PAS LA PROTECTION VOULUE. CONSULTEZ LE QUINCAILLIER POUR OBTENIR UN MASQUE APPROUVÉ PAR LE NIOSH.**

### Sécurité environnementale

- Enlever la peinture de manière à réduire au minimum la quantité de poussière produite.
- Sceller les zones où on enlève la peinture au moyen de grandes feuilles de plastique d'une épaisseur de 4 mm.
- Poncer ponçage de manière à éviter autant que possible de traîner de la poussière à l'extérieur de la zone de travail.

## RENSEIGNEMENTS GÉNÉRAUX

### Conseils pratiques

- Tenir la meuleuse en saisissant le boîtier d'une main et en agrippant fermement la poignée auxiliaire de l'autre, tel qu'illustré à la **Fig. 9**.
- Toujours placer le dispositif de protection de manière à ce que la partie visible du disque soit le moins possible orientée vers l'utilisateur.
- S'attendre à voir surgir une gerbe d'étincelles quand le disque entre en contact avec une surface métallique.
- Maintenir entre le disque et la surface de travail **Fig. 10** un angle d'environ 30° pour le meulage et de 10 à 15° pour le ponçage **Fig. 11**, ce qui assurera une meilleure maîtrise de l'outil et un retrait optimal de matériau, tout en réduisant au minimum les risques de surcharge.

**⚠ MISE EN GARDE** : Faire preuve d'une grande prudence lorsqu'on meule dans un coin, car la meuleuse pourrait rebondir soudainement si la meule entre en contact avec une autre surface.

**⚠ MISE EN GARDE** : On doit toujours porter des lunettes de protection quand on utilise cet outil.

### Entretien

#### Nettoyage

L'entretien périodique doit comprendre le nettoyage à l'air comprimé du carter du moteur pour éliminer la poussière et les particules métalliques ou abrasives logées à l'intérieur de celui-ci.

**⚠ MISE EN GARDE** : Ces dernières tendent en effet à s'accumuler sur les surfaces internes et peuvent engendrer des risques de choc électrique si elles ne sont pas souvent nettoyées.

Nettoyer l'outil seulement au moyen d'un linge humide et d'un savon doux. Ne jamais laisser de liquide s'infiltrer à l'intérieur de l'outil; ne jamais immerger ce dernier dans quelque liquide que ce soit.

**IMPORTANT** : Pour garantir la SÉCURITÉ et la FIABILITÉ de ce produit, l'outil doit être réparé, entretenu et réglé par un centre de service Black & Decker autorisé ou qualifié; seules des pièces de rechange identiques doivent être utilisées.

### Lubrification

Les outils Black & Decker sont adéquatement lubrifiés en usine et sont donc prêts à utiliser, mais ils doivent être lubrifiés tous les ans, selon l'usage qu'on en fait (les outils utilisés pour des gros travaux ou qui sont exposés à la chaleur doivent être lubrifiés plus souvent). La lubrification devrait être confiée à des techniciens qualifiés, comme ceux des centres de service Black & Decker autorisés.

### Accessoires

Les accessoires recommandés pour l'outil sont vendus chez les dépositaires locaux ou les centres de service autorisés. Pour obtenir de l'aide concernant l'achat d'un accessoire, composer le 1 800-544-6986.

**⚠ AVERTISSEMENT** : L'usage d'un accessoire non recommandé peut présenter un danger.

### Renseignements relatifs au service

Black & Decker offre un réseau complet de centres de service autorisés ou lui appartenant d'un bout à l'autre de l'Amérique du Nord. Tous les centres de service Black & Decker emploient du personnel formé pour assurer un service fiable et efficace aux utilisateurs d'outils électriques. Qu'on ait besoin de conseils techniques, de réparations ou de pièces de rechange sorties tout droit de l'usine, il suffit de communiquer avec le centre Black & Decker le plus proche. Pour le trouver, consulter les pages jaunes sous la rubrique « Outils » ou composer le **1-800-544-6986**.

### Garantie complète de deux ans pour usage résidentiel

Black & Decker (U.S.) Inc. garantit ce produit pour une période de deux ans contre tout défaut de matériel ou de fabrication. Le produit défectueux sera réparé sans frais, suivant l'un des deux modes suivants.

Le premier mode consiste en un échange seulement. On doit retourner le produit au détaillant qui l'a vendu (pourvu qu'il s'agisse d'un détaillant participant), en respectant les délais stipulés dans sa politique d'échange (normalement de 30 à 90 jours après la vente). Une preuve d'achat peut être requise. On doit vérifier la politique de retour du détaillant pour tout produit retourné après le délai prescrit pour les échanges.

Le deuxième mode consiste à emporter ou à envoyer le produit (prépayé) à un centre Black & Decker ou à un centre de service autorisé, pour réparation ou remplacement, selon notre choix. Une preuve d'achat peut être requise. Les centres Black & Decker et les centres de service autorisés figurent dans les pages jaunes sous la rubrique « Outils ».

Cette garantie ne s'applique pas aux accessoires. Elle confère des droits légaux particuliers à l'acheteur, en sus des autres droits provinciaux dont il pourrait bénéficier. Pour tout renseignement, s'adresser au gérant du centre Black & Decker le plus proche. Ce produit n'est pas destiné à un usage commercial.

**REMPLACEMENT GRATUIT DE L'ÉTIQUETTE D'AVERTISSEMENT** : En cas de perte ou d'endommagement des étiquettes d'avertissement, composer le **1 800 544-6986** afin d'en obtenir de nouvelles sans frais.

Voir la rubrique "Outils électriques" des Pages Jaunes pour le service et les ventes.



Imported by / Importé par Black & Decker Canada Inc.  
100 Central Ave. Brockville (Ontario) K6V 5W6

# MANUAL DE INSTRUCCIONES

## INFORMACION QUE DEBE SABER

- Espere hasta que la piedra de esmeril alcance su velocidad completa antes de aplicarla a la pieza de trabajo.
- Sujete la esmeriladora en el ángulo apropiado, como se muestra en la Fig. 11, 12.

**⚠ ADVERTENCIA:** Lea y comprenda todas las instrucciones. No hacerlo puede originar riesgos de choque eléctrico, incendio y lesiones personales de gravedad.

## CONSERVE ESTAS INSTRUCCIONES

### Área de trabajo

- **Conserve su área de trabajo limpia y bien iluminada.** Las bancas amontonadas y las zonas oscuras propician los accidentes.
- **No opere herramientas eléctricas en atmósferas explosivas, como en presencia de líquidos, gases o polvos inflamables.** Las herramientas eléctricas producen chispas que pueden originar la ignición de los polvos o los vapores.
- **Conserve a observadores, niños y visitantes alejados mientras opera una herramienta eléctrica.** Las distracciones pueden ocasionar que pierda el control.

### Seguridad eléctrica

- **Las herramientas con doble aislamiento están equipadas con una clavija polarizada (con una pata más ancha que la otra.) Esta clavija se acoplará únicamente en una toma de corriente polarizada de una manera. Si la clavija no se acopla al contacto, invírtala. Si aún así no se ajusta, comuníquese con un electricista calificado para que le instalen una toma de corriente polarizada apropiada.** El doble aislamiento  elimina la necesidad de cables con tres hilos y sistemas de alimentación con conexión a tierra.
- **Evite el contacto corporal con superficies aterrizadas tales como tuberías, radiadores, hornos y refrigeradores.** Hay un gran riesgo de choque eléctrico si su cuerpo hace tierra.
- **No exponga las herramientas eléctricas a la lluvia o a condiciones de mucha humedad.** El agua que se introduce en las herramientas aumenta el riesgo de descargas eléctricas.
- **No maltrate el cable. Nunca tome el cable para transportar una herramienta ni para desconectarla de la toma de corriente. Consérvelo alejado de calor aceite, bordes afilados o piezas móviles. Cambie inmediatamente los cables dañados.** Los cables dañados aumentan el riesgo de choque eléctrico.
- **Cuando opere una herramienta eléctrica a la intemperie, utilice una extensión marcada "W-A" o "W".** Estas extensiones están clasificadas para uso a la intemperie y para reducir el riesgo de choques eléctricos. .

### Seguridad personal

- **Esté alerta concéntrese en lo que está haciendo. Recurra al sentido común cuando opere una herramienta eléctrica. No opere ninguna herramienta si se encuentra fatigado o bajo la influencia de drogas, alcohol o medicamentos.** Un momento de desatención mientras se operan herramientas eléctricas puede ocasionar lesiones graves.
- **Vístase de manera adecuada. No tenga puestas ropas o artículos de joyería flojos. Cubra su cabello si lo tiene largo. Conserve su cabello, sus ropas y guantes alejados de las piezas móviles.** Las piezas de vestir flojas, las joyas y el cabello largo pueden resultar atrapados por las piezas móviles.
- **Evite el encendido accidental. Asegúrese que el interruptor esté en posición de apagado antes de conectar.** Sostener una herramienta con el dedo en el interruptor o conectarla sin fijarse si el interruptor está en posición de encendido propicia los accidentes.
- **Retire las llaves de ajuste antes de encender la herramienta.** Una llave que se deja en una pieza giratoria puede ocasionar lesiones personales.
- **No se sobreextienda. Conserve siempre los pies bien apoyados, al igual que el equilibrio.** La posición correcta de los pies y el equilibrio permiten controlar mejor la herramienta en situaciones inesperadas.
- **Utilice equipo de seguridad. Siempre utilice protección en los ojos.** Se deben utilizar mascarillas contra polvo, zapatos antiderrapantes, casco o protectores para los oídos para tener las condiciones apropiadas.

### Uso y cuidados de la herramienta

- **Conserve los mangos secos, limpios y libres de aceite y grasa.** Es recomendable utilizar guantes de goma, esto le permitirá controlar mejor la herramienta.
- **Utilice prensas u otros medios prácticos para asegurar y apoyar la pieza de trabajo en una plataforma estable.** Sujetar las piezas con la mano o contra su cuerpo es inestable y puede originar la pérdida de control.
- **No utilice la herramienta si el interruptor no enciende y apaga.** Cualquier herramienta que no pueda controlarse por medio del interruptores peligrosa y debe reemplazarse.
- **Desconecte la clavija de la toma de corriente antes de hacer cualquier ajuste, cambio de accesorios o de guardar la herramienta.** Tales medidas de seguridad preventivas reducirán el riesgo de que la herramienta se encienda accidentalmente.
- **Guarde las herramientas fuera del alcance de los niños y de otras personas no capacitadas.** Las herramientas son peligrosas en manos de personas no capacitadas.

## ENSAMBLAJE

- **Cuide sus herramientas. Conserve las herramientas de corte afiladas y limpias.** Las herramientas que reciben un mantenimiento adecuado, con piezas de corte afiladas, difícilmente se atascan y son más fáciles de controlar.
- **Verifique la alineación de las piezas móviles, busque fracturas en las piezas y cualesquiera otras condiciones que puedan afectar la operación de las herramientas. Si está dañada, lleve su herramienta a servicio antes de usarla de nuevo.** Muchos accidentes se deben a herramientas con mantenimiento pobre.
- Solamente use accesorios que el fabricante recomiende para su modelo de herramienta. Los accesorios que estén diseñados para una herramienta, pueden volverse peligrosos cuando se emplean con otra.

### CONSERVE ESTAS INSTRUCCIONES

#### Servicio

- **El servicio a las herramientas lo debe efectuar únicamente personal calificado.** El servicio o mantenimiento realizado por personal no calificado puede originar riesgos de lesiones.
- **Cuando efectúe servicio a una herramienta, utilice únicamente refacciones idénticas. Siga las instrucciones de la sección de Mantenimiento de este manual.** El empleo de piezas no autorizadas o no seguir las instrucciones de mantenimiento puede originar riegos de choque eléctrico o lesiones.

#### Reglas de seguridad específicas

- Siempre utilice la guarda apropiada con una piedra de esmeril. La guarda protege al operador de fragmentos de la piedra.
- **Los accesorios deben estar clasificados para al menos la velocidad recomendada en la etiqueta de advertencia de la herramienta.** Las piedras y otros accesorios que funcionan a una velocidad mayor a la de su clasificación pueden salir despedidos y ocasionar lesiones.
- **Sujete la herramienta por las superficies de agarre aislantes cuando efectúe una operación en la que la herramienta de corte pudiese hacer contacto con cableado oculto o con su propio cable.** El contacto con un cable “vivo” hará que las partes metálicas de la herramienta que estén expuestas “vivan” y descarguen al operador.

#### Reglas de seguridad adicionales

- **UTILICE SIEMPRE PROTECCION PARA LOS OJOS.**
- **USE PROTECCIÓN AUDITIVA. PUEDE QUE EL NIVEL DE RUIDO SE AMPLIFIQUE AL USAR LA ESMERILADORA EN ESPACIOS CERRADOS.**
- **CONSERVE LAS GUARDAS EN SU SITIO.**
- Utilice exclusivamente ruedas de esmeril que tengan indicada en la etiqueta una velocidad máxima de operación de por lo menos las “RPM sin carga” (no load RPM) indicadas en la placa de identificación de la herramienta.
- Antes de usar la herramienta, revise siempre todos los accesorios en busca de cuarteaduras o defectos. ¡Descarte de inmediato la pieza si tiene un desperfecto de esta clase! Deberá revisar, del mismo modo, la rueda cuando sospeche que la unidad ha caído o se ha golpeado.
- Al accionar la herramienta (con una rueda nueva o de reemplazo instalada), sujétela bien dentro de una zona protegida adecuadamente y déjela funcionar durante un minuto. Si la rueda tiene una cuarteadura o una hendidura inadvertidas, deberá romperse en pedazos en menos de un minuto. Nunca accione una herramienta cuando haya una persona alineada con la rueda: esto incluye al propio operador.
- Evite que la rueda opere a saltos o se maltrate mientras funciona. Si sucediera así, apague y desconecte la herramienta y revise la rueda.
- **EMPLEE SIEMPRE GUARDAS** cuando utilice discos con centro hendido o piedras de copa.
- Limpie la herramienta periódicamente.
- No use discos planos de corte tipo 1 abrasivos o de diamante sin el protector adecuado. (El protector no viene incluido con la unidad.)

**⚠ ADVERTENCIA:** Parte del polvo generado al lijar, serrar, esmerilar y taladrar, así como al realizar otras actividades del sector de la construcción, contienen

**productos químicos que pueden producir cáncer, defectos congénitos u otras afecciones reproductivas. Ejemplos de esas substancias químicas son:**

- plomo procedente de pinturas a base de plomo,
- óxido de silicio cristalino procedente de ladrillos, cemento y otros productos de mampostería, y
- arsénico y cromo procedentes de madera tratada químicamente (CCA).

El peligro derivado de estas exposiciones que usted enfrente varía en función de la frecuencia con que se realice este tipo de trabajo. Para reducir la exposición a esas sustancias químicas: trabaje en una zona bien ventilada y llevando equipos de seguridad aprobados, como mascarillas antipolvo especialmente diseñadas para filtrar partículas microscópicas.

- **Evite el contacto prolongado con el polvo procedente del lijado, serrado, esmerilado y taladrado eléctricos, así como de otras actividades del sector de la construcción. Lleve ropa protectora y lave con agua y jabón las zonas expuestas.** Si permite que el polvo se introduzca en la boca u ojos o quede sobre la piel, puede favorecer la absorción de productos químicos peligrosos.

**⚠ ADVERTENCIA:** El uso de esta herramienta puede generar o dispersar polvo lo cual puede causar lesiones respiratorias serias y permanentes y otros tipos de lesión. Siempre use protección respiratoria aprobada por NIOSH/OSHA para la exposición al polvo. Dirija las partículas en dirección opuesta a su cara y cuerpo.

**⚠ PRECAUCIÓN:** Emplee la protección personal y auditiva adecuada durante el uso de este producto. Bajo ciertas condiciones y duración de uso, el ruido producido por este producto puede contribuir a la pérdida auditiva.

- **No opere esta herramienta durante períodos largos de tiempo.** La vibración causada por la acción de operación de esta herramienta puede causar lesiones permanentes a los dedos, las manos y los brazos. Utilice guantes para una mayor amortiguación, tome descansos frecuentes y limite el tiempo de uso diario.

La etiqueta de su herramienta puede incluir los siguientes símbolos.

V .....	volts	SPM .....	Golpes por minuto
A .....	amperes	Hz .....	hertz
W .....	watts	min .....	minutos
~ .....	corriente alterna	==== .....	corriente directa
n <sub>o</sub> .....	velocidad sin carga	☐ .....	construcción clase II
⊕ .....	terminales de conexión a tierra		
⚠ .....	símbolo de alerta seguridad	.../min .....	revoluciones o reciprocaciones por minuto

#### Cable de extensión

Cuando utilice un cordón de extensión, asegúrese de emplear uno con el calibre suficiente para soportar la corriente necesaria para su producto. Una extensión con calibre menor al necesario causará una caída en el voltaje de la línea, resultando en pérdida de potencia y sobrecalentamiento. El cuadro siguiente muestra los calibres correctos para usarse de acuerdo con la longitud de la extensión y el amperaje especificado. Si tiene dudas, utilice el calibre siguiente, más pesado. Cuanto más pequeño el número de calibre del alambre, mayor la capacidad del cable.

Calibre mínimo para cordones de extensión					
Volts	Longitud total del cordón en metros				
120V	0-7.62	7.63-15.24	15.25-30.48	30.49-45.72	
240V	0-15.24	15.25-30.48	30.49-60.96	60.97-91.44	
AMPERAJE					
Más de	No más de	Calbre del cordón			
0	- 6	18	16	16	14
6	- 10	18	16	14	12
10	- 12	16	16	14	12
12	- 16	14	12	No Recomendado	

#### Motor

Su herramienta funciona con un motor Black & Decker específico. Asegure que su alimentación de corriente corresponda a la indicada en la placa de identificación. Una indicación de 120 voltios, 50/60 Hz o 120 voltios, sólo corriente alterna (AC only), significa que la herramienta está diseñada para operar con corriente doméstica normal de 120 voltios. Si el voltaje sufre disminuciones de más de 10%, se producirá una pérdida de poder y el sobrecalentamiento de la herramienta. Todas las herramientas Black & Decker se prueban en fábrica. Si su herramienta no funciona, verifique la alimentación de corriente.

**⚠ ADVERTENCIA:** Para evitar que se encienda accidentalmente, apague y desenchufe la herramienta antes de realizar las siguientes operaciones. El incumplimiento con lo anterior podría resultar en graves lesiones corporales.

#### INSTALACIÓN DEL PROTECTOR DEL DISCO - Fig. 2

**⚠ ADVERTENCIA:**NUNCA ESMERILE O ESCOBILLE SI EL PROTECTOR NO ESTÁ EN SU SITIO.

- Coloque la herramienta sobre una mesa, con el eje (9) hacia arriba.
- Coloque la arandela de resorte (8) sobre el eje y ubíquela sobre el soporte saliente (10).
- Coloque el protector (4) en la herramienta, como aparece ilustrado.
- Coloque la pestaña (7) sobre el eje con las protuberancias hacia el protector. Asegúrese que los orificios de la pestaña estén alineados con los orificios para los tornillos.
- Fije la pestaña con los tornillos (6). Asegúrese que los tornillos estén bien ajustados y que el protector pueda ser girado.

#### Retiro del protector del disco (sólo para lijado) - Fig. 3

- **⚠ PRECAUCIÓN:** Para evitar perder el control, no deje la herramienta a un lado hasta que el accesorio no haya dejado de girar totalmente. Esta herramienta viene con un protector. El protector se puede retirar, sólo para lijado, de la siguiente manera:
  - Retire la pestaña externa, el disco y la pestaña interna si acaso ya han sido puestos.
  - Use un atornillador para quitar los tornillos (6).
  - Quite la pestaña (7), el protector (4) y la arandela de resorte (8). Guarde estas piezas con mucho cuidado.

#### Ajuste del protector

- El protector puede ser girado en 90°.
- Gire el protector cuando sea necesario.

#### Instalación del mango lateral

- Su esmeriladora viene equipada con un mango auxiliar de tres posiciones (4) el cual puede ser atornillado en cualquiera de los dos lados de la caja protectora de la esmeriladora o en su parte superior.

**⚠ ADVERTENCIA:** Este mango DEBERÍA SER UTILIZADO EN TODO MOMENTO para mantener el control total de la herramienta. Asegúrese siempre que el mango esté bien ajustado.

#### Instalación y retiro de discos de centro hundido - Fig. 4 - 6

**⚠ PRECAUCIÓN:** Nunca utilice un disco de centro hundido sin el protector adecuado.

#### Instalación - Figura 4, 5

- Instale el protector como se describe arriba.
- Ponga la pestaña interna (11) sobre el eje (7), como aparece ilustrado (**fig. 4**). Asegúrese que la pestaña quede ubicada correctamente, en los lados planos del eje.
- Coloque el disco (12) en el eje (7), como aparece ilustrado (**fig. 4**). Si el disco tiene un centro elevado (13), asegúrese que el centro elevado quede hacia la pestaña interna.
- Asegúrese que el disco quede bien ubicado sobre la pestaña interna.
- Coloque la pestaña externa (14) en el eje. Cuando instale un disco de esmerilado, el centro elevado de la pestaña externa debe quedar hacia el disco (A en la fig. 5). Cuando instale un disco de corte, el centro elevado de la pestaña externa debe quedar en dirección opuesta al disco (**B en la fig. 5**).
- Mantenga el seguro del eje (5) presionado y ajuste la pestaña externa con el separador de dos clavijas (15) (**fig. 6**).
- Cuando use un disco con centro hundido, sostenga la herramienta de modo que exista un ángulo de aproximadamente 30° entre el disco y el material de trabajo.
- Cuando use discos de montaje rápido o con cubos incorporados, no se requiere el uso de pestañas.

**⚠ ADVERTENCIA:** Revise la velocidad nominal del disco de centro hundido. Nunca use un disco que tenga una velocidad nominal menor que la de la placa nominal de la herramienta.

#### Esmerilado de bordes

El esmerilado de bordes se puede hacer con discos tipo 27 con centros hundidos que han sido específicamente diseñados con este propósito. Estos discos pueden ser comprados localmente. No deben ser sujetos a presión lateral.

**⚠ PRECAUCIÓN:** Los discos que son utilizados para el esmerilado de bordes pueden romperse si se doblan o tuercen mientras son usados para trabajos de corte o esmerilado profundo. Para reducir el riesgo de lesiones graves, restrinja el uso de estos discos a cortes superficiales y corte de muescas (menos de 13 mm (1/2 pulg.) de profundidad). El lado abierto del protector debe estar en dirección opuesta al operador.

#### Retiro del disco - Figura 6

- Mantenga el seguro del eje (5) presionado y afloje la pestaña externa (14) con el separador de dos clavijas (15) (fig. 6).
- Retire la pestaña externa (14) y el disco (12).

#### Montaje de escobillas metálicas encopadas y de alambre retorcido

Las escobillas metálicas se atornillan directamente en el eje de la máquina sin necesidad de utilizar pestañas. Cuando use escobillas metálicas, insértelas en el eje firmemente con la mano.

#### Instalación de discos abrasivos

Use un disco abrasivo con una almohadilla de respaldo cuando lije con su esmeriladora angular.

- Quite el protector.
- Coloque la pestaña (la almohadilla de respaldo y el disco abrasivo se venden por separado) y la pestaña externa en el eje, como lo muestra la Figura 7. La Figura 7A muestra cómo instalar un disco abrasivo con una almohadilla de respaldo de goma.
- Ajuste el disco abrasivo como lo muestra la Figura 8, presionando el botón de bloqueo del eje y girando el disco abrasivo a mano.

## OPERACIÓN

**⚠ ADVERTENCIA:** Deje que la herramienta funcione a su propia velocidad. No la sobrecargue.

#### Encendido y apagado

- Para encender la herramienta, presione el conmutador de encendido y apagado (1).
- Para un funcionamiento continuo, presione el botón de bloqueo en encendido (2) y suelte el conmutador de encendido y apagado.
- Para apagar la herramienta, suelte el conmutador de encendido y apagado. Para apagar la herramienta mientras esta está en funcionamiento continuo, presione el conmutador de encendido y apagado otra vez y suéltelo.
- **⚠ ADVERTENCIA:** No apague la herramienta en medio de una operación.

#### Sobrecarga

Las sobrecargas dañan el motor de su esmeriladora angular. Esto puede ocurrir si la esmeriladora angular se somete a usos pesados durante periodos prolongados. No ejerza nunca presión excesiva sobre su esmeriladora para acelerar su tarea. Los discos abrasivos operan de manera más eficiente con presión ligera, lo cual evita que la esmeriladora angular pierda velocidad.

## ESMERILADO

#### Precauciones durante el lijado de pintura

- **NO ES RECOMENDABLE** lijar pinturas con base de plomo debido a la dificultad para controlar el polvo contaminado. El envenenamiento por plomo es sobre todo peligroso para los niños y las mujeres embarazadas.
- Ya que es difícil determinar si una pintura contiene plomo sin efectuar un análisis químico, recomendamos tomar las siguientes precauciones al lijar cualquier tipo de pintura:

## Seguridad personal

- Los niños y las mujeres embarazadas no deben entrar al área de trabajo antes de que esta última se encuentre perfectamente limpia.
- Todas las personas que ingresen al área de trabajo deben utilizar una mascarilla contra polvo o un respirador. El filtro debe ser reemplazado a diario o siempre que el usuario tenga dificultad para respirar a través del dispositivo.

**NOTA: SÓLO DEBEN UTILIZARSE MASCARILLAS ESPECÍFICAMENTE DISEÑADAS PARA PARTICULAS Y EMANACIONES ORIGINADAS POR PINTURAS QUE CONTIENEN PLOMO. LAS MASCARILLAS CONTRA EL POLVO DE PINTURAS CORRIENTES NO PROPORCIONAN ESE TIPO DE PROTECCIÓN. CONSULTE AL DISTRIBUIDOR DE SU LOCALIDAD PARA OBTENER UNA MÁSCARA ADECUADA.**

## Seguridad ambiental

- Quitar la pintura tratando de generar la menor cantidad de polvo posible.
- Sellar con hojas de plástico gruesas (mínimo 0,1 mm) los accesos a las áreas donde se esté quitando la pintura.
- Lijar tratando de reducir la salida de polvo de pintura fuera del área de trabajo.

## INFORMACIÓN GENERAL

### Consejos prácticos

- Sujete su esmeriladora angular con una mano en el cuerpo y la otra mano alrededor del mango lateral con firmeza como se muestra en la **Figura 9**.
- Coloque siempre la guarda de manera que la mayor parte expuesta del disco apunte hacia el lado opuesto a usted.
- Prepárese para las chispas que saltarán cuando el disco haga contacto con el metal.
- Para trabajos de esmerilado, mantenga un ángulo aproximado (**Fig. 10**) de 30° entre el disco y la superficie de trabajo, y entre 10° y 15° para lijar (**Fig. 11**) para mejor control de la herramienta, eliminación de materiales y mínima sobrecarga.

⚠ **PRECAUCIÓN:** Tenga mucho cuidado cuando esmerile en una esquina ya que la esmeriladora puede moverse repentina o bruscamente cuando el disco entre en contacto con una superficie secundaria.

⚠ **ADVERTENCIA:** Utilice siempre protección para los ojos cuando opere esta herramienta.

## Mantenimiento

### Limpieza

Como procedimiento de mantenimiento necesario, limpie el polvo y la arenilla acumulada en la caja protectora del motor con aire comprimido.

⚠ **PRECAUCIÓN:** El polvo y la arenilla provenientes del esmerilado de metal generalmente se acumulan en las superficies interiores y pueden crear peligro de choque eléctrico si no se limpian. Use sólo un jabón suave y paño húmedo para limpiar la herramienta. Jamás permita que le entre líquido a la herramienta; nunca sumerja ninguna parte de la herramienta.

**IMPORTANTE:** Para garantizar la SEGURIDAD y la FIABILIDAD del producto, las reparaciones, mantenimiento y calibraciones deben efectuarse en centros de servicio autorizado Black & Decker u otro servicio autorizado que utilice repuestos originales Black & Decker.

## Lubricación

Las herramientas Black & Decker vienen lubricadas de fábrica y están listas para emplearse. Deben lubricarse cada año, según la frecuencia con que se utilicen (las unidades utilizadas en trabajos pesados y expuestas al calor pueden requerir una lubricación más frecuente). Dicha lubricación debe ser realizada por el personal especializado de los centros de servicio Black & Decker u otro servicio autorizado.

## Accesorios

Los accesorios recomendados para su herramienta están disponibles en el distribuidor o centro de servicio autorizados de su localidad. Para consultas sobre accesorios, favor de llamar al **(55) 5326-7100**.

⚠ **ADVERTENCIA:** la utilización de accesorios no recomendados por el fabricante para esta herramienta puede ser peligrosa.

## Servicio

Black & Decker le ofrece una red propia y completa de centros de servicio autorizados en toda Norteamérica. Todos los centros de servicio Black & Decker cuentan con personal capacitado para proporcionarle eficaces y fiables servicios de reparación y mantenimiento de herramientas.

Para consultas técnicas, reparaciones o repuestos originales, comuníquese con el centro Black & Decker más cercano. Para identificar al centro de servicio de su localidad, consulte la sección amarilla bajo "Herramientas eléctricas", o llame al **(55) 5326-7100**.

## Dos años de garantía total para uso domestico

Black & Decker (U.S.) Inc. garantiza este producto por dos años contra cualquier falla originada por materiales o mano de obra defectuosos. El producto defectuoso será reemplazado o reparado sin cargo alguno en cualquiera de las dos maneras siguientes:

La primera opción (únicamente para cambios), es devolver el producto al vendedor del cual compró la herramienta (siempre que sea un distribuidor participante). Las devoluciones deberán hacerse dentro del plazo estipulado por la política de cambios del distribuidor (usualmente entre 30 y 90 días después de la compra). Es posible que se le pida el comprobante de pago o factura. Sírvase verificar con el vendedor las políticas específicas para devoluciones posteriores al plazo límite estipulado para cambios de mercancía.

La segunda opción es llevar o enviar el producto (con porte de retorno pagado) a un centro de servicio Black & Decker u otro autorizado para que la herramienta sea reparada o reemplazada por otra (según decida el centro de servicio). Es posible que se le pida el comprobante de pago o factura. Los centros de servicio Black & Decker y agentes autorizados aparecen indicados bajo "Herramientas eléctricas" en la sección amarilla del directorio telefónico.

Esta garantía no incluye los accesorios. Esta garantía le otorga derechos legales específicos y es posible que tenga otros derechos según la legislación de su localidad. Para cualquier consulta, sírvase comunicarse con el gerente del centro de servicio Black & Decker más cercano. Este producto no está destinado para uso comercial.

**SUSTITUCIÓN GRATUITA DE LAS ETIQUETAS DE ADVERTENCIA:** Si sus etiquetas de advertencia se vuelven ilegibles o se pierden, llame al **1-800-544-6986** para conseguir repuestos gratuitos.

## ESPECIFICACIONES

### G950

Tensión de alimentación: 120 V~ Potencia nominal: 949 W  
Frecuencia de operación: 60 Hz Consumo de corriente: 8,5

**Para reparación y servicio de sus herramientas eléctricas, favor de dirigirse al Centro de Servicio más cercano:**

### CULIACAN, SIN

Av. Nicolás Bravo #1063 Sur  
(667) 7 12 42 11  
Col. Industrial Bravo

### GUADALAJARA, JAL

Av. La Paz #1779  
(33) 3825 6978  
Col. Americana Sector Juarez

### MEXICO, D.F.

Eje Central Lázaro Cardenas  
No. 18  
(55) 5588 9377  
Local D, Col. Obrera

### MERIDA, YUC

Calle 63 #459-A  
(999) 928 5038  
Col. Centro

### MONTERREY, N.L.

Av. Francisco I. Madero  
No.831  
(81) 8375 2313  
Col. Centro

### PUEBLA, PUE

17 Norte #205  
(222) 246 3714  
Col. Centro

### QUERETARO, QRO

Av. Madero 139 Pte.  
(442) 214 1660  
Col. Centro

### SAN LUIS POTOSI, SLP

Av. Universidad 1525  
(444) 814 2383  
Col. San Luis

### TORREON, COAH

Blvd. Independencia, 96 Pte.  
(871) 716 5265  
Col. Centro

### VERACRUZ, VER

Prolongación Díaz Mirón #4280  
(229)921 7016  
Col. Remes

### VILLAHERMOSA, TAB

Constitución 516-A  
(993) 312 5111  
Col. Centro

**PARA OTRAS LOCALIDADES LLAME AL: (55) 5326 7100**

IMPORTADOR: BLACK & DECKER S.A. DE C.V.  
BOSQUES DE RADIATAS NO. 42  
BOSQUES DE LAS LOMAS, 05120 MEXICO,  
D.F.  
TEL (55)5326-7100

Para servicio y ventas consulte  
"HERRAMIENTAS ELECTRICAS"  
en la sección amarilla.



## Free Manuals Download Website

<http://myh66.com>

<http://usermanuals.us>

<http://www.somanuals.com>

<http://www.4manuals.cc>

<http://www.manual-lib.com>

<http://www.404manual.com>

<http://www.luxmanual.com>

<http://aubethermostatmanual.com>

Golf course search by state

<http://golfingnear.com>

Email search by domain

<http://emailbydomain.com>

Auto manuals search

<http://auto.somanuals.com>

TV manuals search

<http://tv.somanuals.com>