



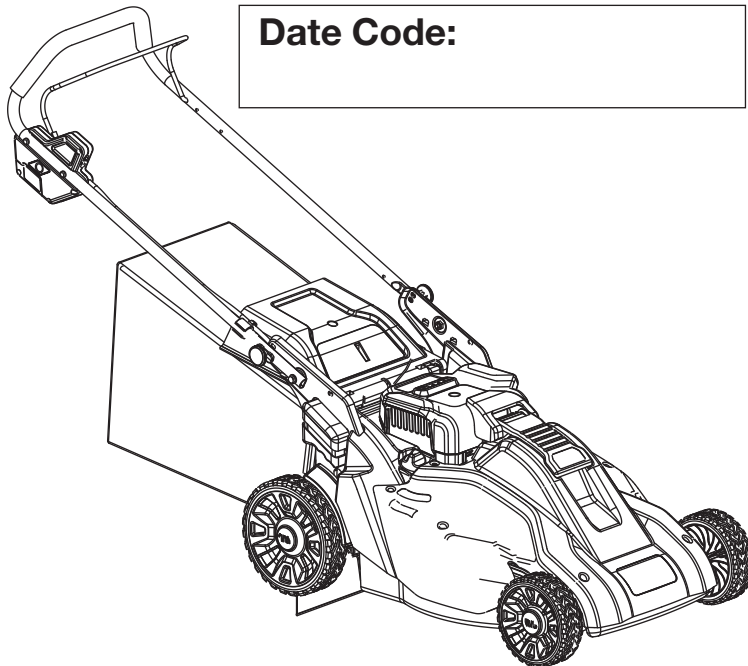
BLACK & DECKER®

19 Inch (483mm) Cordless Mulching Rear Bag Mower

INSTRUCTION MANUAL

Catalog Number CM1936ZF2

Date Code:



Thank you for choosing Black & Decker!
Go to www.BlackandDecker.com/NewOwner to register your new product.

PLEASE READ BEFORE RETURNING THIS PRODUCT FOR ANY REASON:

If you have a question or experience a problem with your Black & Decker purchase, go to [HTTP://WWW.BLACKANDDECKER.COM/INSTANTANSWERS](http://WWW.BLACKANDDECKER.COM/INSTANTANSWERS) for instant answers 24 hours a day.

If you can't find the answer or do not have access to the internet, call 1-800-544-6986 from 8 a.m. to 5 p.m. EST Mon. -- Fri. to speak with an agent. Please have the catalog number available when you call.

KEY INFORMATION YOU SHOULD KNOW:

- Do not operate mower unless handle is locked into position.
- For best cutting results, keep blade sharpened and balanced.
- Inspect and thoroughly clean your mower after each use (a deck with caked grass will degrade performance).
- Make sure mowing area is clear of other persons or pets prior to starting and during operation.
- Fully charge your mower before using it for the first time for optimal performance. Fully charge your battery after every use.

SAVE THIS INSTRUCTION MANUAL FOR FUTURE REFERENCE.

VEA EL ESPAÑOL EN LA CONTRAPORTADA.

INSTRUCTIVO DE OPERACIÓN, CENTROS DE SERVICIO Y PÓLIZA DE GARANTÍA.

ADVERTENCIA: LÉASE ESTE INSTRUCTIVO ANTES DE USAR EL PRODUCTO.

Download from [Www.Somanuals.com](http://www.Somanuals.com). All Manuals Search And Download.

SAFETY GUIDELINES - DEFINITIONS

It is important for you to read and understand this manual. The information it contains relates to protecting YOUR SAFETY and PREVENTING PROBLEMS. The symbols below are used to help you recognize this information.

⚠ DANGER: Indicates an imminently hazardous situation which, if not avoided, will result in death or serious injury.

⚠ WARNING: Indicates a potentially hazardous situation which, if not avoided, could result in death or serious injury.

⚠ CAUTION: Indicates a potentially hazardous situation which, if not avoided, may result in minor or moderate injury.

NOTICE: Used without the safety alert symbol indicates a potentially hazardous situation which, if not avoided, may result in property damage.

The following are explanations of important safety hazard pictorials on the mower.



1. User must read and understand the instruction manual.



2. To avoid the risk of serious injury do not mow up and down slopes. Always mow across slopes.



3. To avoid the risk of injury to bystanders keep all persons and pets at a safe distance from the mower while operating.



4. Rotating blades can cause serious injury. Keep hands and feet clear of mower deck and discharge opening at all times. Always be sure blade has stopped (wait for the blade to stop rotating (approximately 3 seconds) after releasing bail handle and removing the safety key) before removing and replacing grass catcher, cleaning, servicing, transporting or lifting the mower.



5. Objects struck by mower blade can cause serious injury. Stay behind the handle when the motor is running. Always ensure persons and pets are clear of the discharge from the mower while operating. Always inspect mowing area before mowing and remove objects that could be thrown by blade. Release bail handle to turn mower off and wait for the blade to stop rotating (approximately 3 seconds) before crossing walk, roads, patio and gravel drives.

⚠ WARNING: IMPORTANT SAFETY WARNINGS AND INSTRUCTIONS

⚠ WARNING: When using electric lawn mowers, basic safety precautions should always be followed to reduce risk of fire, electric shock, and personal injury, including the following.

READ ALL INSTRUCTIONS

TO REDUCE RISK OF INJURY:

- Before any use, be sure everyone using this lawn mower reads and understands all safety instructions and other information contained in this manual.
- Save these instructions and review frequently prior to use and in instructing others.

⚠ DANGER: IMPORTANT SAFE PRACTICES FOR WALK-BEHIND MOWERS

This mower is capable of amputating hands and feet and throwing objects. Failure to observe the following safety instructions could result in serious injury or death.

GENERAL OPERATION

1. Read, understand, and follow all instructions on the mower and in the instruction manual before starting.
2. Do not put hands or feet near or under the mower. Keep clear of the discharge opening at all times.
3. Only allow responsible adults, who are familiar with the instructions, to operate this mower.
4. Clear the area where the mower is to be used of objects such as rocks, sticks, wire, toys, bones, etc., which could be thrown by the blade. Objects struck by the blade can cause severe injury to persons. Stay behind the handle when the motor is running.
5. Be sure the area surrounding the mower is clear of bystanders before operating. All bystanders and pets should be kept at a safe distance. Stop the mower if anyone enters the area surrounding the mower.
6. Do not operate mower barefooted or while wearing sandals. Always wear substantial footwear.
7. Do not pull mower backward unless absolutely necessary. Always look down and behind before and while moving backward.
8. Never direct discharged material toward anyone. Avoid discharging material against a wall or obstruction. Material may ricochet back toward the operator. Release bail handle to turn mower off and stop the blade when crossing gravel surfaces.
9. Do not operate mower without the entire grass catcher, discharge guard, rear guard, or other safety protective devices in place and working. Periodically check all guards and safety protective devices to ensure they are in good working order and will operate properly and perform their intended function. Replace a damaged latch, guard or other safety device before further use.
10. Never leave a running mower unattended.
11. Always release the bail handle to stop the motor and wait until the blade comes to a complete stop and remove the safety key before cleaning the mower, removing the grass catcher, un-clogging the discharge guard, when leaving the mower, or before making any adjustments, repairs or inspections.
12. Operate mower only in daylight or good artificial light when objects in the path of the blade are clearly visible from the operating area of the mower.
13. Do not operate mower while under the influence of alcohol or drugs, or when you are tired or ill. Always stay alert, watch what you are doing, and use common sense.
14. Avoid dangerous environments. Never operate mower in damp or wet grass, never use mower in the rain. Always be sure of your footing; walk; never run.
15. Disengage the drive system, if so equipped, before starting the motor.
16. If the mower should start to vibrate abnormally, release the bail handle, wait for the blade to stop and remove the safety key and battery pack, then check for the cause immediately. Vibration is generally a warning of trouble.
17. Always wear proper eye and respiratory protection when operating the mower.
18. The use of any accessory or attachment not recommended for use with this mower could be hazardous. Only use accessories approved by Black & Decker.
19. Never overreach while operating the mower. Always be sure to keep proper footing and balance at all times while operating the mower.

SLOPE OPERATION

Slopes are a major factor related to slip and fall accidents, which can result in severe injury. Operation on all slopes requires extra caution. If you feel uneasy on a slope, do not mow it.

1. Mow across the face of slopes; never up and down. Exercise extreme caution when changing direction on slopes.
2. Watch for holes, ruts, bumps, rocks, or other hidden objects. Uneven terrain could cause a slip and fall accident. Tall grass can hide obstacles.
3. Do not mow on wet grass or excessively steep slopes. Poor footing could cause a slip and fall accident.
4. Do not mow near drop-offs, ditches, or embankments. You could lose your footing or balance.

CHILDREN

Tragic accidents can occur if the operator is not alert to the presence of children. Children are often attracted to the mower and the mowing activity. Never assume that children will remain where you last saw them.

1. Keep children out of the mowing area and under the watchful care of a responsible adult other than the operator.
2. Be alert and turn mower off if a child enters the area.
3. Never allow children to operate the mower.
4. Use extra care when approaching blind corners, shrubs, trees, or other objects that may block your view of a child.

GENERAL SERVICE

1. Never operate mower in a closed area.
2. Keep all nuts and bolts tight to be sure the equipment is in safe working condition.
3. Never tamper with safety devices. Check their proper operation regularly.
4. Keep mower free of grass, leaves, or other debris build-up. Allow mower to cool before storing.
5. If you strike a foreign object, release bail handle to turn mower off, wait for the blade to stop and remove the safety key and battery pack, then inspect the mower. Repair, any damage, before starting and operating the mower.
6. Never make any adjustments or repairs with the motor running or while the safety key is in the mower.
7. Always remove safety key and battery pack before adjusting, cleaning, repairing, inspecting, transporting, storing or leaving the mower.
8. Check grass catcher components and the discharge guard frequently and when necessary replace with Black & Decker recommended parts only.
9. Mower blades are sharp. Wrap the blade or wear gloves, and use extra caution when servicing them.
10. Maintain or replace safety and instruction labels, as necessary.

This device complies with part 15 of the FCC rules. Operation is subject to the following two conditions: (1) This device may not cause harmful interference, and (2) this device must accept any interference received, including interference that may cause undesired operation.

NOTE: This equipment has been tested and found to comply with the limits for a Class B digital device, pursuant to Part 15 of the FCC Rules. These limits are designed to provide reasonable protection against harmful interference in a residential installation. This equipment generates, uses and can radiate radio frequency energy and, if not installed and used in accordance with the instructions, may cause harmful interference to radio communications. However, there is no guarantee that interference will not occur in a particular installation.

If this equipment does cause harmful interference to radio or television reception, which can be determined by turning the equipment off and on, the user is encouraged to try to correct the interference by one or more of the following measures:

- Reorient or relocate the receiving antenna.
- Increase the separation between the equipment and receiver.
- Connect the equipment into an outlet on a circuit different from that to which the receiver is connected.
- Consult the dealer or an experienced radio/TV technician for help.

Changes or modifications to this unit not expressly approved by the party responsible for compliance could void the user's authority to operate the equipment. This Class B digital apparatus complies with Canadian ICES-003.

SAVE THESE INSTRUCTIONS

⚠ WARNING: GENERAL SAFETY WARNINGS AND INSTRUCTIONS FOR ALL LAWN MOWERS

- **STORE IDLE LAWN MOWER INDOORS.** Always store with safety key removed. Lawn mowers should be stored indoors in dry, secured area – out of reach of children.
- **DON'T FORCE MOWER.** It will do the job better and with less likelihood of a risk of injury at the rate for which it was designed.
- **USE RIGHT APPLIANCE.** Do not use the mower for any job except that for which it is intended.
- **DRESS PROPERLY.** Do not wear loose clothing or jewelry. They can be caught in moving parts. Rubber gloves, long pants and substantial, non-skid footwear are recommended when working outdoors.
- **USE SAFETY GLASSES AND OTHER SAFETY EQUIPMENT.** Use safety goggles or safety glasses with side shields, complying with applicable safety standards and, when needed, a face shield. Also use face or dust mask if operation is dusty. This applies to all persons in the work area. Also use a hard hat, hearing protection, gloves, safety shoes and dust collection systems when specified or required. Safety glasses or the like are available at extra cost at your local dealer or Black & Decker Service Center.
- **DON'T ABUSE CORD.** Never carry charger by cord or yank it to disconnect from receptacle. Keep cord away from heat, oil, and sharp edges.
- **MAINTAIN MOWER WITH CARE.** Keep cutting edge clean and sharp for best performance and to reduce the risk of injury. Follow instructions for lubricating and changing accessories. Inspect mower cord periodically and if damaged, have it repaired by authorized service facility. Keep handles dry, clean, and free from oil and grease.
- **AVOID UNINTENTIONAL STARTING.** Don't carry mower with safety key inserted in switch housing. Be sure bail handle is not engaged while inserting safety key.
- **BEFORE USING,** always visually inspect to see that the blade, blade fasteners and cutter assembly are not worn or damaged. Replace worn or damaged blades and fasteners in sets to preserve balance. Inspect the mower cord - ensure it is in good condition. Cord insulation must be intact with no cracks or deterioration.
- **USE OF EXTENSION CORDS**

Make sure the extension cord is in good condition before using. Always use the proper size extension cords with the lawn mower – that is, proper wire size for various lengths of cord and heavy enough to carry the current the lawn mower will draw. Use of an undersized cord will cause a drop in line voltage resulting in loss of power and overheating. For proper size cords see chart below.

Volts	Minimum Gauge for Cord Sets			
	Total Length of Cord in Feet			
120V	0-25	26-50	51-100	101-150
	(0-7,6m)	(7,6-15,2m)	(15,2-30,4m)	(30,4-45,7m)
240V	0-50	51-100	101-200	201-300
	(0-15,2m)	(15,2-30,4m)	(30,4-60,9m)	(60,9-91,4m)
Ampere Rating		American Wire Gauge		
More Than	Not more Than			
0 -	6	18	16	14
6 -	10	18	16	12
10 -	12	16	14	12
12 -	16	14	12	Not Recommended

- **CHECK FOR DAMAGED PARTS.** Before further use of the mower, a guard or other part that is damaged should be carefully checked to determine that it will operate properly and perform its intended function. Check for alignment of moving parts, binding of moving parts, breakage of parts, mounting, and any other conditions that may affect their operation. A guard or other part that is damaged should be properly repaired or replaced by an authorized service center unless otherwise indicated elsewhere in this manual.
- **REPAIRS AND SERVICE.** Repairs, maintenance and any adjustments not specified in this manual should be performed by Black & Decker authorized service centers or other qualified service organizations, always using identical replacement parts.

⚠ DANGER: ADDITIONAL WARNINGS FOR MOWERS

- **ALWAYS** firmly grip handle with both hands when operating mower.
- **NEVER** wear radio or music headphones while operating mower.
- **CONTAIN** long hair.
- **NEVER** attempt to make a wheel height adjustment while the motor is running or while the safety key is in the switch housing.
- **IF MOWER** stalls, release bail handle to turn mower off, wait for blade to stop and remove the safety key and battery pack, before attempting to unclog the chute or remove anything from under the deck.
- **KEEP HANDS** and feet away from cutting area.
- **KEEP BLADES** sharp. Always use protective gloves when handling the mower blade.
- **IF YOU** are using a grass catcher, check it frequently for wear and deterioration. If excessively worn, replace with new bag for your safety.
- **USE EXTREME CAUTION** when reversing or pulling mower toward you.

⚠ WARNING: Some dust created by this product contains chemicals known to the State of California to cause cancer, birth defects or other reproductive harm. Some examples of these chemicals are:

- compounds in fertilizers
- compounds in insecticides, herbicides and pesticides
- arsenic and chromium from chemically treated lumber

To reduce your exposure to these chemicals, wear approved safety equipment such as dust masks that are specially designed to filter out microscopic particles.

FUNCTIONAL DESCRIPTION

CM1936ZF2

1.) Safety key/charging port

2.) Bail Handle (Switch lever)

3.) Handle attachment bolts

4.) Handle quick adjust knobs

5.) Grass bag

6.) Cut height adjustment release

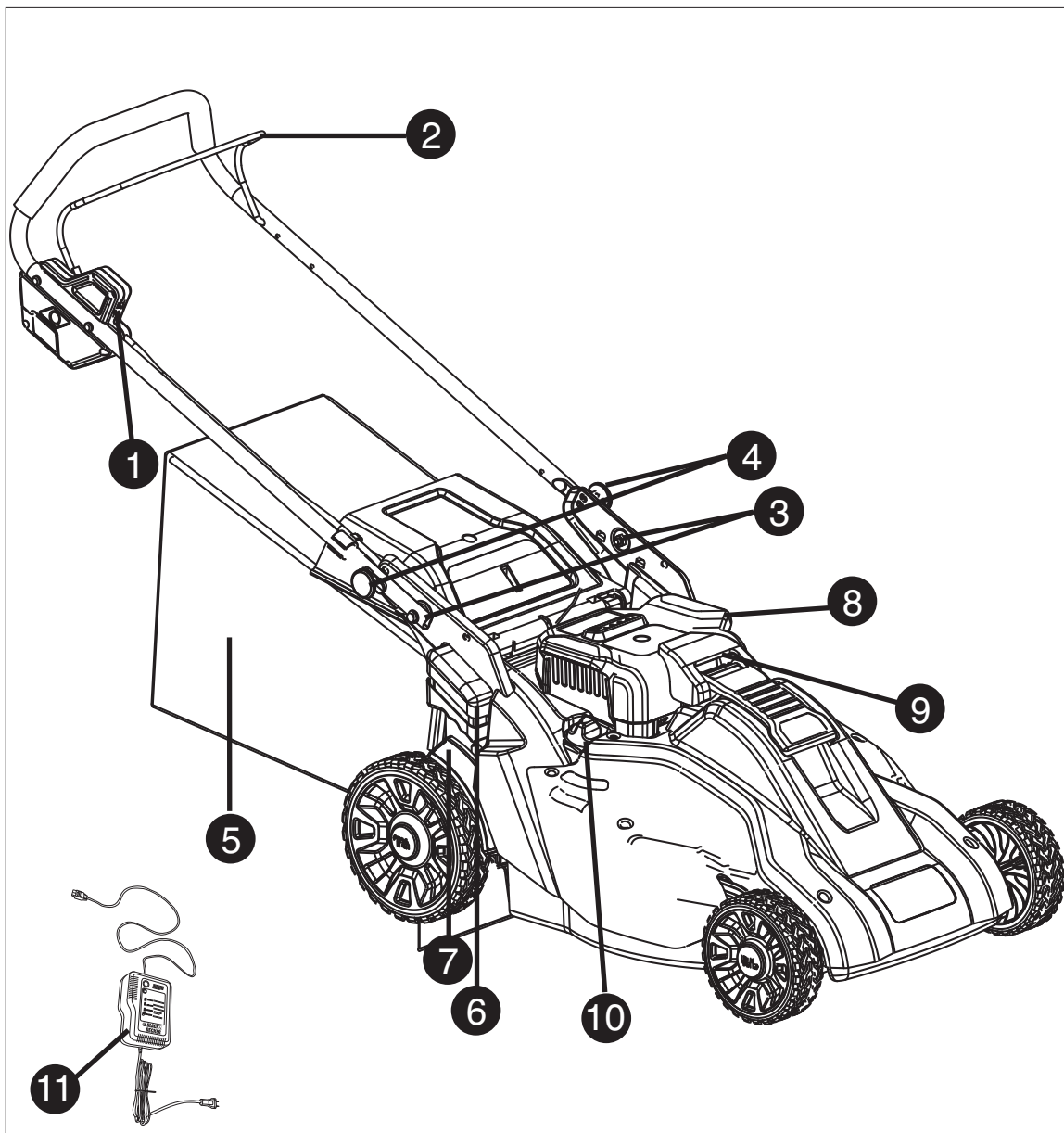
7.) Cut height indicator

8.) Removable battery

9.) Battery latch

10.) On Demand knob

11.) Charger



PREPARATION

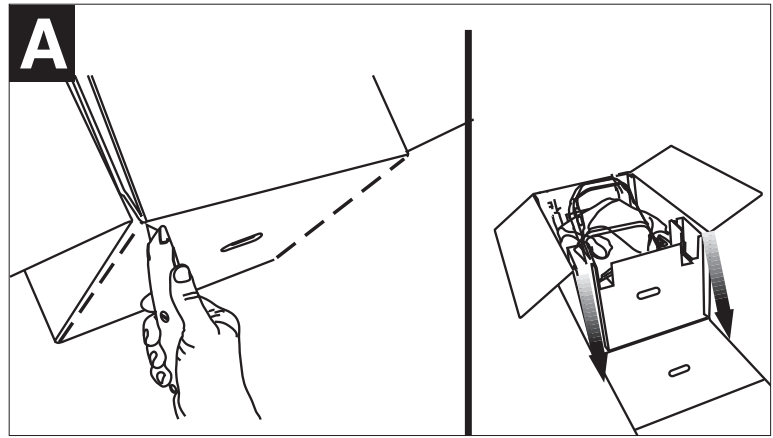
PLEASE REFER TO DIAGRAMS (A, B, C...) AND ITEM NUMBERS (1, 2, 3...) AS NOTED THROUGHOUT MANUAL. FOR EXAMPLE, A-1 REFERS TO ITEM 1 IN FIGURE A.

UNPACKING - (FIGURES A, B)

CAUTION: Pinch point. To avoid being pinched, keep fingers away from area between handle and plates.

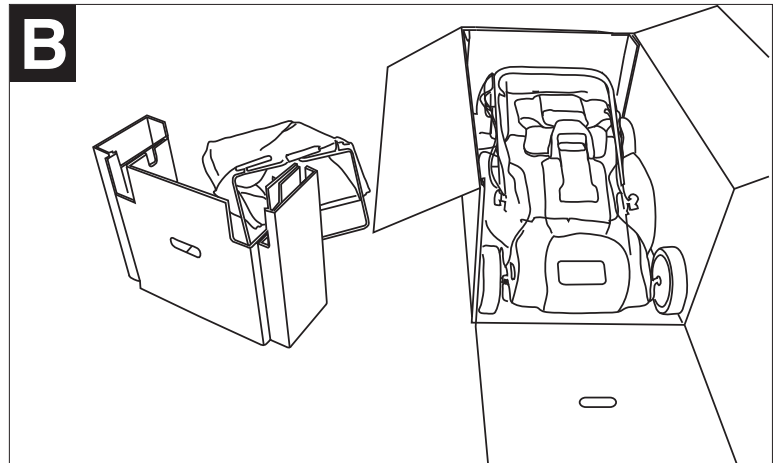
STEP 1:

Carefully cut down the sides of the box on the opposite end of the handle and fold the flap down as shown. **WARNING:** Sharp blade. Keep body parts away from blade.



STEP 2:

With the carton end cut open, remove the cardboard filler, charger, accessory bag and grass bag and push the mower out of the opened carton.



ASSEMBLY

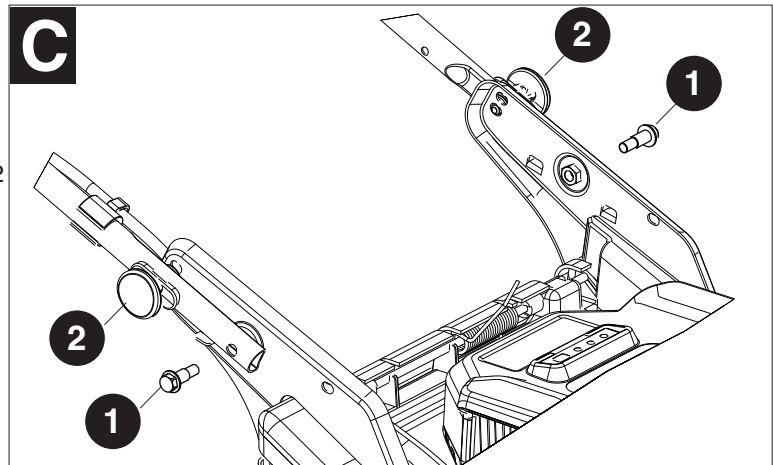
Tools required for assembly, not supplied:
Adjustable or 1/2 inch (13mm) wrench.

HANDLE ASSEMBLY (FIGURE C)

1. Position the handle so that the handle holes line up with the deck side plate holes. The **handle quick adjust knobs C-2** will line up with the deck side plate top holes.
2. Place **handle attachment bolts C-1** through the handle holes and thread into the deck side plate. Before tightening repeat for other side.
3. Tighten **handle attachment bolts C-1** securely using adjustable or 1/2 inch (13mm) wrench. Ensure that each bolt is tightened until their shoulder bottoms out on the plate.
4. To set desired handle height refer to handle adjustment. Do not push or use mower unless handle is properly fastened and secured to mower.

The **handle quick adjust knobs C-2** will appear as shown in **figure C** when they are fully engaged into the plates.

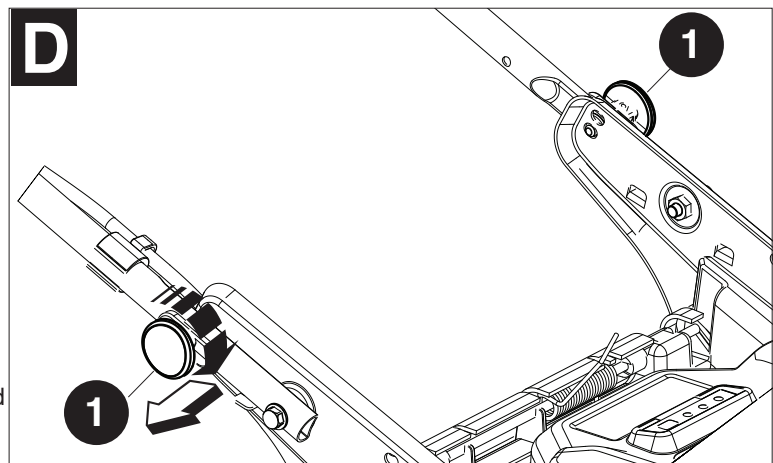
CAUTION: Pinch point. To avoid being pinched, keep fingers away from area between handle and plates when raising or adjusting.



HANDLE ADJUSTMENT (FIGURE D)

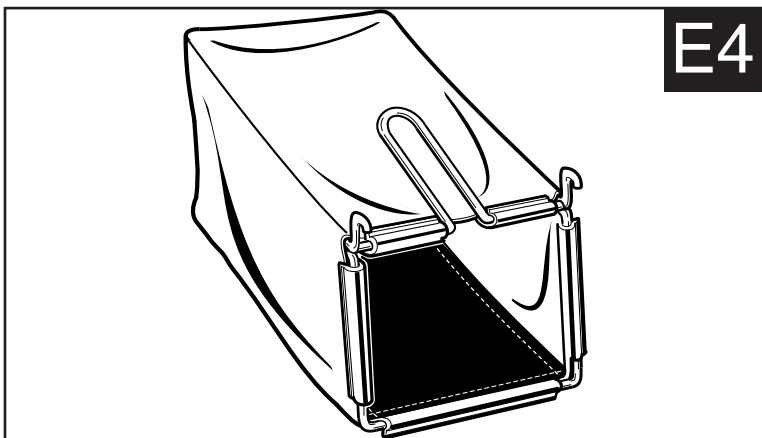
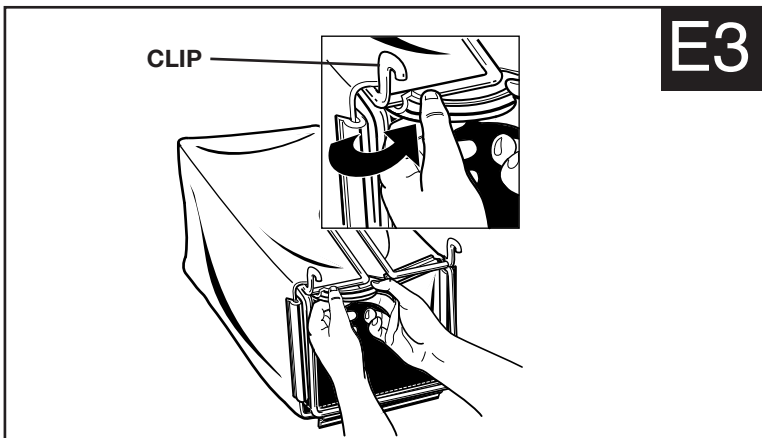
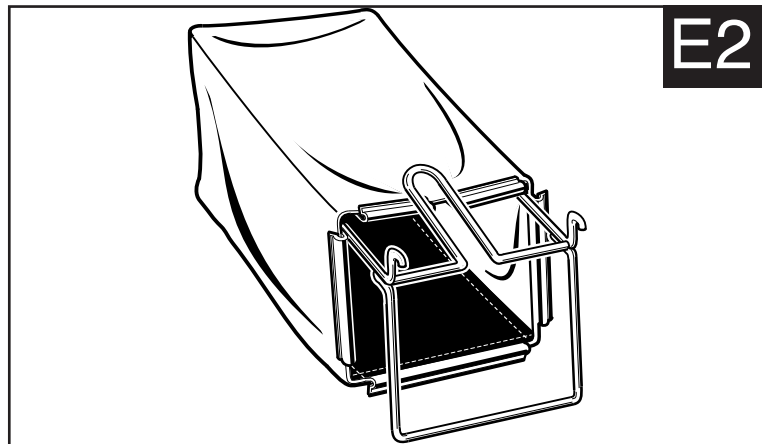
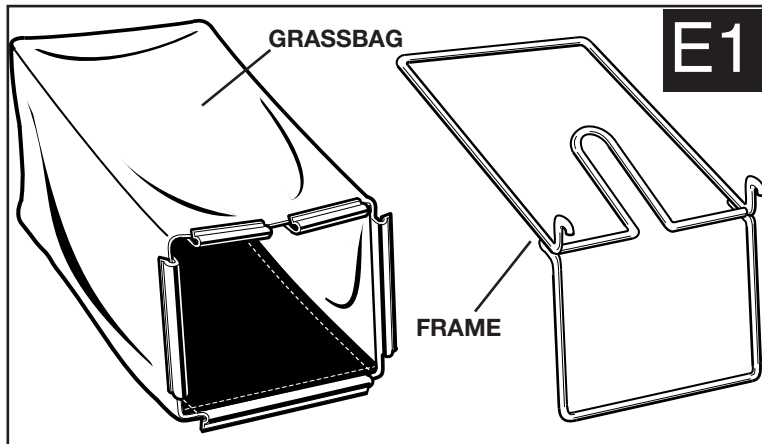
1. Remove safety key.
2. Hold handle with one hand, pull out and rotate one **handle quick adjust knob D-1** on mower handle a quarter-turn to release the pin from the metal plate hole. **Handle quick adjust knob D-1** will remain in this retracted position. Repeat for the opposite side knob. Now the handle is free to move into another handle height position.
3. Move the handle to desired height position. Taller users will prefer using the top hole position, while shorter users may prefer the bottom hole position. While holding handle with one hand, pull out and rotate one **handle quick adjust knob D-1** a quarter-turn to re-engage pin into metal plate hole. Repeat for the other knob.
4. Shake handle slightly to ensure handle pins are fully engaged prior to using mower. Do not push or use the mower unless handle is properly fastened and secured to mower. The **handle quick adjust knobs D-1** will appear as shown in **figure D** when the knob pins are fully engaged into the plates.

CAUTION: Pinch point. To avoid being pinched, keep fingers away from area between handle and plates when raising or adjusting.



ASSEMBLING THE GRASS CATCHER (FIGURES E1, E2, E3, E4)

1. Before starting to assemble the grass bag to the frame, check that the grass bag and frame are similar to **figure E1**.
2. Slide the grass bag onto the frame as shown in **figure E2**.
3. Assemble the top clips to the frame as shown in **figure E3**, then assemble the two side clips and the bottom clip last.
4. Completely assembled grass catcher is shown in **figure E4**.



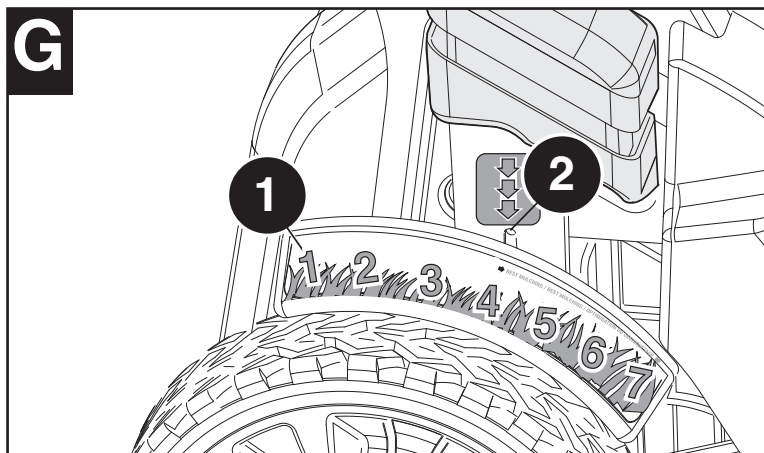
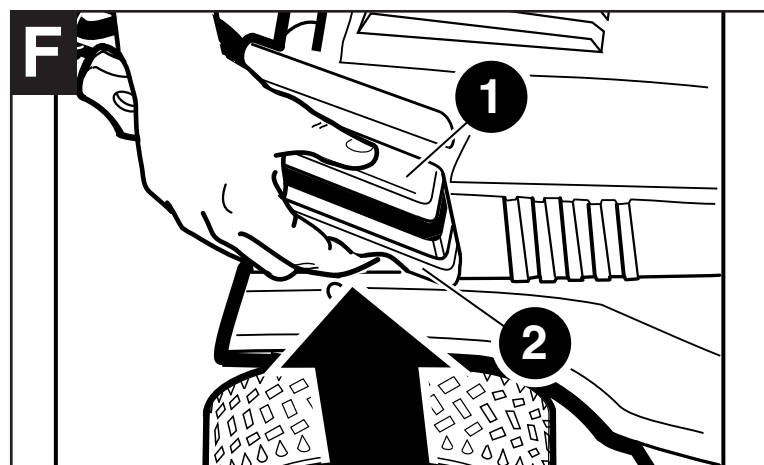
WHEEL HEIGHT ADJUSTMENT (1-1/2 IN. (38mm) TO 3-1/2 IN. (89mm) FIGURES F, G

NOTE: Certain types of grass or grass conditions may require varying the height of the mower deck. Grasses of mature lawns often are seriously injured when mowed shorter than 1-1/2 inches (38mm), and a height of 1-1/2 to 2 inches (38mm) to (51mm) is preferred on large lawns.

1. Before making any adjustments, release bail handle to turn mower off, wait for blade to stop, and remove safety key.
2. Your mower features the Black & Decker one touch wheel height adjustment system. This system will adjust all four wheels at the same time.
3. To raise or lower the cutting height, place the palm of your hand on the **palm rest F-1** and with your fingers, squeeze upward on the **finger grip F-2** and hold.
4. While holding the finger grip up you can raise or lower the cutting height. The mower has seven blade height adjustment positions. Refer to the **scale G-1** and **pointer G-2** at the rear of the mower. The pointer will indicate the height setting for cutting your lawn. This setting can be a reference for the next time you want to cut your lawn at the same height.

When you have the mower at the height you would like, hold it in place with your left hand on the lower right handle bar and release the finger grip with your right hand to lock the height adjust.

Note: To ensure that the deck is securely locked in one of the seven positions, press down on the palm rest after releasing the finger grip.



BATTERY

⚠ CAUTION: USE ONLY BLACK & DECKER APPROVED REPLACEMENT BATTERIES - CONTACT YOUR LOCAL SERVICE CENTER OR 1-800-544-6986.

The battery is a 36-volt sealed lead acid system. There is no liquid contained within the battery and the mower/battery can therefore be stored in any position without fear of leakage.

IT IS RECOMMENDED THAT THE BATTERY BE RECHARGED AFTER USE TO PROLONG THE BATTERY LIFE. FREQUENT CHARGING WILL NOT HARM YOUR BATTERY, AND WILL ENSURE THAT THE BATTERY IS FULLY CHARGED AND READY FOR ITS NEXT USE. STORING BATTERY NOT FULLY CHARGED WILL SHORTEN BATTERY LIFE. REFER TO OFF-SEASON STORAGE SECTION.

- For optimal performance the battery should be kept on constant charge when not in use.
- The battery should be charged in its proper orientation.
- The battery prefers to be charged in a cool, dry place.
- The battery does not need to be fully discharged before recharging.
- 2 to 3 initial charging cycles may be required after purchase to achieve maximum run time capacity.
- A fully charged battery can be safely stored down to -40°C (-40°F).
- The battery is maintenance free.
- The CM1936ZF2 can use either the RB-3610, RB-3612 or RB-3675 battery. The battery should not be used for any other purpose.

REMOVING BATTERY FROM MOWER - FIGURE H

The battery can be removed from the mower for storage/charging or left in the mower for charging.

Prior to removing battery, place mower on level ground.

Release bail handle to turn mower off, wait for blade to stop, and remove safety key.

To remove the battery, lift the **lever H-1**, and then rotate back away from battery pack to unlatch **clasp H-2**. Lift battery pack out.

Prior to the installation of the battery pack, ensure that the mower is clear of debris and the charger plug is disconnected from the battery pack.

CHARGER SAFETY RULES

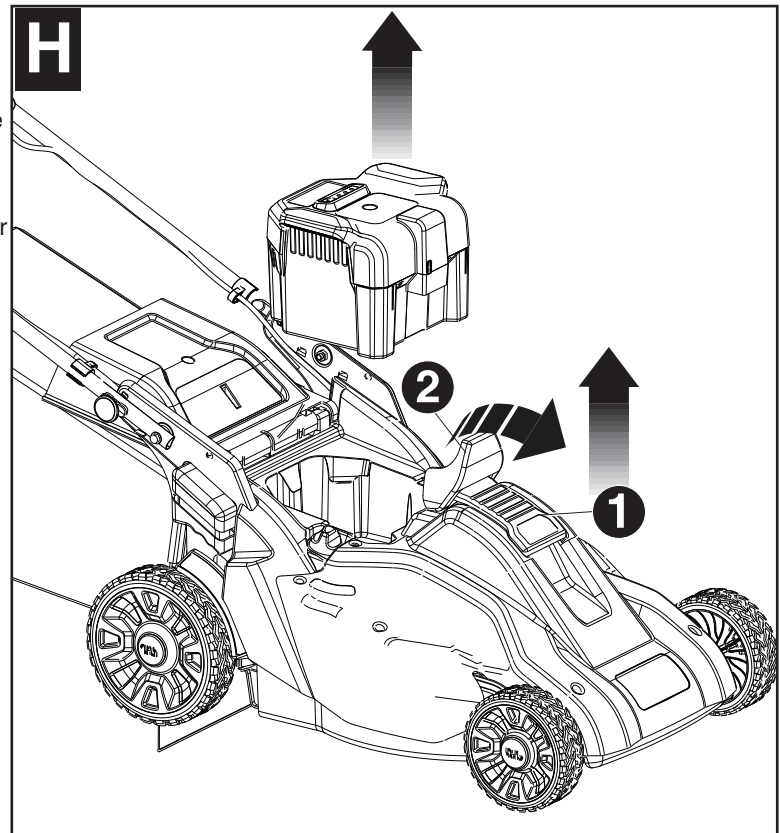
IMPORTANT SAFETY INSTRUCTIONS

1. **SAVE THESE INSTRUCTIONS** – This manual contains important safety and operating instructions for battery charger Model FC3600.
2. Before using battery charger, read all instructions and cautionary markings on battery charger, battery, and product using battery.
3. **⚠ CAUTION:** To reduce risk of injury, charge only Black & Decker 36 volt sealed lead acid type rechargeable batteries for mowers. Other types of batteries may burst causing personal injury and damage.
4. Plug charger directly into an electrical outlet. **DO NOT ABUSE THE CORD.** Never carry charger by cord. Do not disconnect the charger from the outlet, mower or battery by pulling it by the cord.
5. Place the charger on a solid surface and ensure that the vents are not blocked.
6. **⚠ WARNING:** To reduce the risk of fire, electrical shock, or personal injury do not attempt to use this charger with any other product. Likewise, do not attempt to charge the battery with any other charger.
7. Do not service mower with charger, safety key or battery pack installed.
8. Do not operate a damaged charger. Replace damaged cords or charger immediately at an authorized Black & Decker service center.
9. Always charge the mower in a dry area protected from the weather. Do not expose the mower, battery or charger to rain. Do not charge in wet locations. Do not charge battery when temperature is above 104°F (40°C) or below 41°F (5°C). Remove battery and charge indoors if above or below these temperatures. Charge the battery in a well ventilated location.
10. Keep the mower, battery and charger away from water, heat sources, (such as radiators, heaters, stoves, etc.) flames, or chemicals. Be careful not to damage the charger cord, by keeping cord away from sharp edges.
11. Prior to reinstalling the battery into the mower, disconnect charger plug from battery, or damage may occur.

⚠ WARNING: FIRE HAZARD

ALWAYS DISCONNECT THE CHARGER FROM THE POWER SUPPLY (WALL OUTLET) BEFORE REMOVING THE CHARGER CONNECTOR. UNDER CERTAIN CONDITIONS, WITH THE CHARGER PLUGGED IN TO THE POWER SUPPLY, THE EXPOSED CONNECTOR CAN BE SHORTED BY FOREIGN MATERIAL AND MAY CAUSE A FIRE.

FOREIGN MATERIALS OF A CONDUCTIVE NATURE, SUCH AS, BUT NOT LIMITED TO, STEEL WOOL, ALUMINUM FOIL, OR ANY BUILD-UP OF METALLIC PARTICLES, SHOULD BE KEPT FROM THE CONNECTOR. ALWAYS UNPLUG CHARGER BEFORE ATTEMPTING TO CLEAN.



CHARGING PROCEDURE- FIGURES I, J

1. To charge your mower remove the battery from the mower first.
2. Align the **charger plug I-1** with the arrow on top and insert the charger plug into the **receptacle I-2** on the battery pack (blue terminal to blue terminal, white terminal to white terminal). The charger connector can only be plugged into the battery one way.
3. There are two charging rates to choose from when charging the battery. The charger will default to the "normal" or regular charging rate.

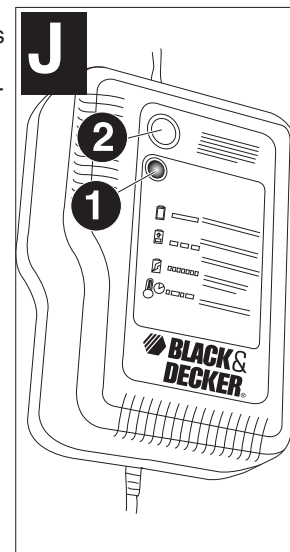
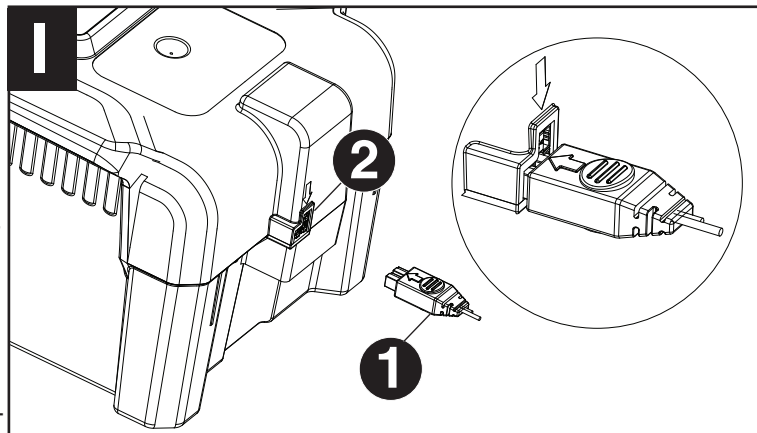
NORMAL CHARGING RATE - When in this mode, the **red light J-1** on the charger should come on indicating you have power and the battery is being charged. Check the charger for the red light, if it is not on check the charger connector for proper alignment (step 2). The red light should extinguish and the **green light J-1** will come on when charging is complete (takes approximately 12 hours to charge a fully discharged mower).

FAST CHARGING RATE - NOTE: Fast Charge mode is only on if the **fast charge button J-2** is depressed. Use this mode only when necessary to improve task completion.

When in this mode, the **red light J-1**, will be **flashing** on and off indicating that the battery is being charged at a faster rate. After about 30 minutes the initial fast charge cycle is complete, and approximately 80% of full charge is available. The light will change to a flashing green light.

After approximately 3 hours of fast charging the battery will be fully charged, and the light will change to a continuous green light indicating a maintenance mode.

4. It is recommended to leave the battery on constant charge (between mowing uses) for optimum performance during the mowing season.



OPERATION

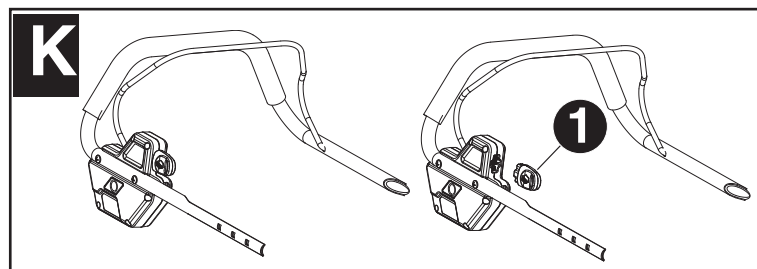
KNOW YOUR MOWER

READ THIS INSTRUCTION MANUAL AND SAFETY RULES BEFORE OPERATING YOUR MOWER. See "Functional Description" to familiarize yourself with the location of various controls and adjustments. Save this manual for future reference.

SAFETY KEY

⚠ DANGER : SHARP MOVING BLADE.

In order to prevent accidental start-up or unauthorized use of your Cordless Mower, a removable **safety key K-1** has been incorporated into the design of your mower. The mower will be completely disabled when the Safety Key has been removed from the mower.



NOTE: THE SAFETY KEY HAS A HOLE IN THE CENTER TO ALLOW FOR STORAGE ON A NAIL, OUT OF THE REACH OF CHILDREN. DO NOT TETHER SAFETY KEY TO MOWER.

⚠ DANGER: ROTATING BLADES CAN CAUSE SERIOUS INJURY. TO PREVENT SERIOUS INJURY, REMOVE SAFETY KEY WHEN UNATTENDED, OR WHEN CHARGING, CLEANING, SERVICING, TRANSPORTING, LIFTING, OR STORING MOWER.

TO TURN MOWER ON

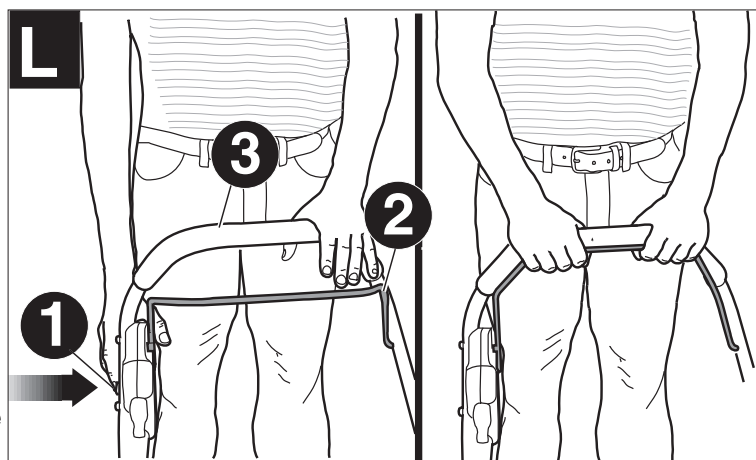
Insert **safety key L-1** into the switch housing, until it is fully seated inside housing. The mower is now operational.

⚠ DANGER: SHARP MOVING BLADE. NEVER ATTEMPT TO OVERRIDE THE OPERATION OF THIS SWITCH AND SAFETY KEY SYSTEM AS SERIOUS INJURY COULD RESULT.

ON-OFF SWITCH (BAIL HANDLE) - FIGURE L

Your mower is equipped with a special on-off switch system. To operate the system, first push **button L-1** on side of switch housing, then pull the **bail handle (switch lever) L-2** to the **handlebar L-3**. To turn the mower off, just release the bail handle.

Once the bail handle has returned to the original position it will activate the "Automatic Braking Mechanism". The motor is electrically braked and the mower blade will stop rotating in 3 seconds or less.



MOWER OVERLOAD

To prevent damage due to overload conditions, do not try to remove too much grass at one time. Slow down your cutting pace, or raise the cut height.

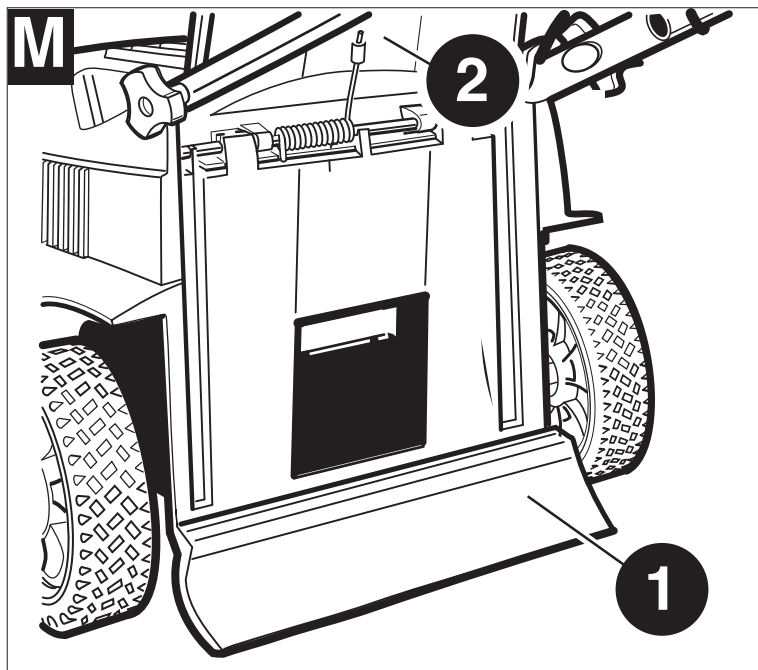
MEETS CPSC SAFETY REQUIREMENTS

Black and Decker Mowers conform to the safety standards of the American National Standards Institute, and the U.S. Consumer Product Safety Commission. The blade turns when the blade motor is running.

SAFETY SHIELD AND REAR DOOR - FIGURE M

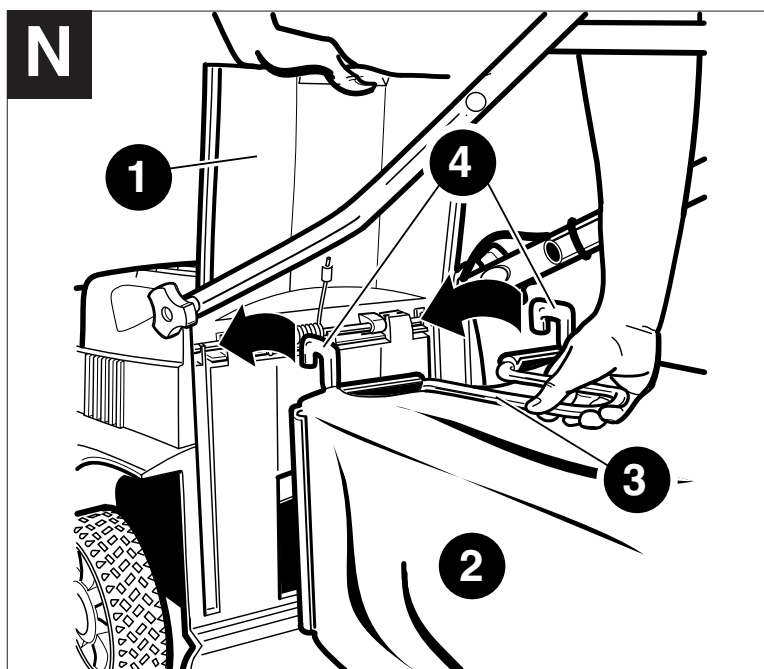
The **safety shield M-1** is designed to minimize the throwing of stones or other objects by the mower blade backward from under the mower deck. The shield, along with the **rear door M-2**, minimizes the possibility of accidental foot contact with the blade. **DO NOT** operate mower without the safety shield and rear door in place.

⚠ DANGER: Sharp moving blade. Do not operate the mower if the rear door is not closed under spring tension as serious injury could result. Take your mower to the nearest service center for repair.



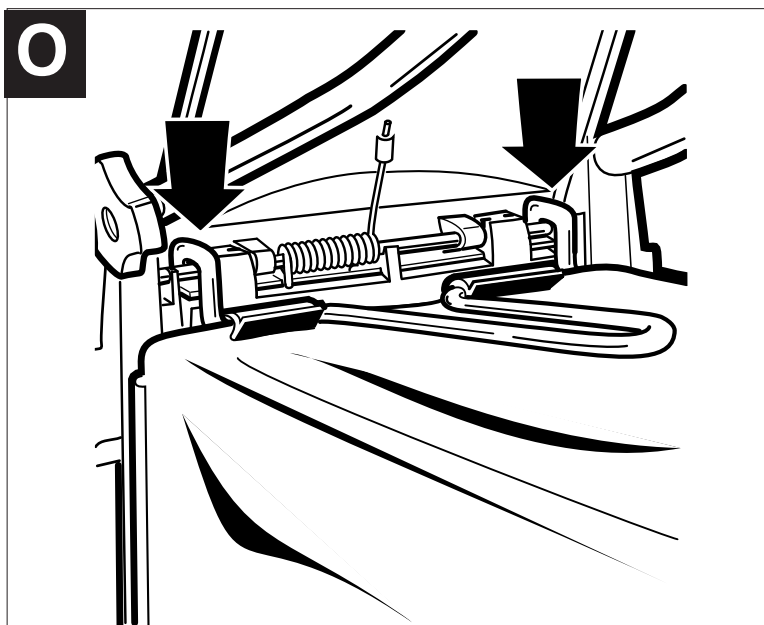
INSTALLING GRASS CATCHER - FIGURE N, O

1. Release bail handle to turn mower off, wait until the blade stops and remove safety key.
2. Reaching down between the mower handles, raise the **rear discharge door N-1** to a vertical position and hold the door up. Ensure that the **mulch insert N-3** has been removed.
3. Pick up the **grass catcher N-2** by the **handle O-3** and place the grass catcher between the mower handles as shown.



4. Position the grass catcher **hanger hooks N-4** on the mower as shown in **figure O**. Release the rear discharge door.

⚠ DANGER: Sharp moving blade. Never operate the mower unless the hanger hooks on the grass catcher are seated properly on the mower and the rear discharge door rests firmly against the top of the grass catcher as serious injury could result.



"ON-DEMAND"

Your mower is equipped with the On-Demand feature that allows the conversion of mulching to bagging or discharging with the turn of a knob. Release bail handle to turn mower off, wait for the blade to come to a complete stop. Then remove safety key.

Discharge Mode:

1. Remove grass catcher.
2. Ensure the rear discharge door rests firmly against the deck.
3. Press and turn On-Demand knob so that it is in-line with the word "DISCHARGE" P-1 (see figure P).

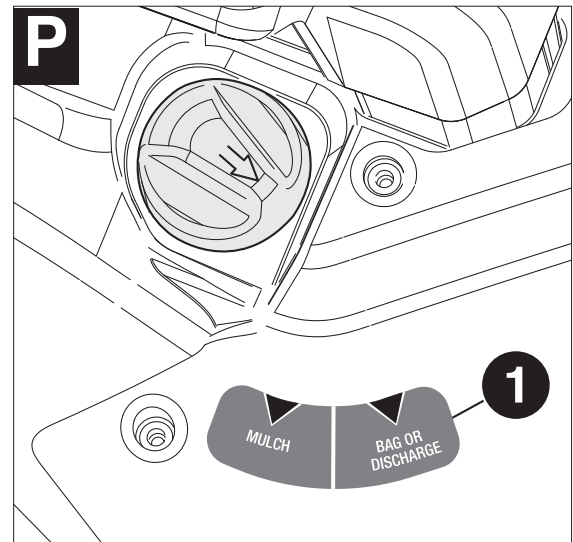
Your mower is now in rear discharge mode. The cut grass will be deposited below the closed door exit onto the lawn.

Bagging Mode:

1. Install grass catcher.
2. Ensure rear discharge door rests firmly against the top of the grass catcher.
3. Press and turn On-Demand knob so that it is in-line with the word "BAG" P-1 (see figure P).

Your mower is now in Bagging mode.

Note: To change to rear discharge mode at this point, just remove the grass catcher.

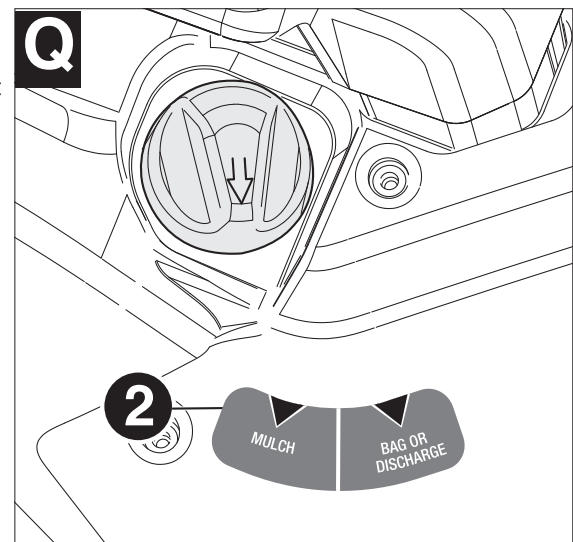


Mulching Mode:

1. To convert to mulch mode press and turn the On-Demand knob so that it is in-line with the word "MULCH" Q-2 (see figure Q). **Your mower is now in mulch mode.**

Note: If it becomes difficult to rotate the On-Demand knob, it may be necessary to clean out the deck chute.

1. Release bail handle to turn mower off and wait for the blade to come to a complete stop. Then remove safety key and battery pack.
2. Hold rear discharge door open, and clean out any debris that may be in the deck chute. Also clean out deck bottom as necessary.



MOWING TIPS

NOTE: ALWAYS INSPECT Q-2 AREA WHERE MOWER IS TO BE USED AND REMOVE ALL STONES, STICKS, WIRE, BONES AND OTHER DEBRIS WHICH MIGHT BE THROWN BY THE ROTATING BLADE.

1. Mow across the face of slopes, never up-and-down. Exercise extreme caution when changing direction on slopes. Do not mow excessively steep slopes. Always maintain good footing.
2. Release bail handle to turn mower "OFF" when crossing any gravel area (stones can be thrown by the blade).
3. Set mower at highest cutting height when mowing in rough ground or in tall weeds. Removing too much grass at one time can cause the motor to be overloaded and to stop. Refer to troubleshooting guide.
4. If a grass catcher is used during the fast growing season, the grass may tend to clog up at the discharge opening. Release bail handle to turn mower off and remove the safety key. Remove the catcher and shake the grass down to the back end of the bag. Also clean out any grass or debris which may be packed around the discharge opening. Replace the grass catcher.
5. If mower should start to vibrate abnormally, release bail handle to turn mower off and remove safety key. Check immediately for cause. Vibration is a warning of trouble. Do not operate mower until a service check has been made. Refer to troubleshooting guide in manual.
6. **ALWAYS RELEASE BAIL HANDLE TO TURN MOWER OFF AND REMOVE SAFETY KEY WHEN LEAVING IT UNATTENDED EVEN FOR A SHORT PERIOD OF TIME.**

THE FOLLOWING SUGGESTIONS WILL HELP YOU TO OBTAIN OPTIMUM RUN TIME FROM YOUR CORDLESS MOWER:

1. Slow down in areas where the grass is especially long or thick.
2. When mulching, avoid cutting more than 1-1/2 inches (38mm) off the length at any one time.
3. Avoid mowing when the grass is wet from rain or dew-soaked.
4. Cut your lawn frequently, especially during high growth periods.

NOTE: IT IS RECOMMENDED THAT YOUR MOWER BE RECHARGED AFTER USE TO PROLONG THE BATTERY LIFE. FREQUENT CHARGING WILL NOT HARM YOUR BATTERY, AND WILL ENSURE THAT THE BATTERY IS FULLY CHARGED AND READY FOR ITS NEXT USE. STORING BATTERY NOT FULLY CHARGED WILL SHORTEN BATTERY LIFE.

MULCHING MOWING TIPS

Your mower was shipped from Black & Decker with the mulch insert installed if not equipped with On-Demand. While mulching, your new mower is designed to cut the grass clippings into small pieces and distribute them back into the lawn. Under normal conditions, the mulched grass will biodegrade quickly to provide nutrients to the lawn.

Please review the following recommendations for optimum mulching performance.

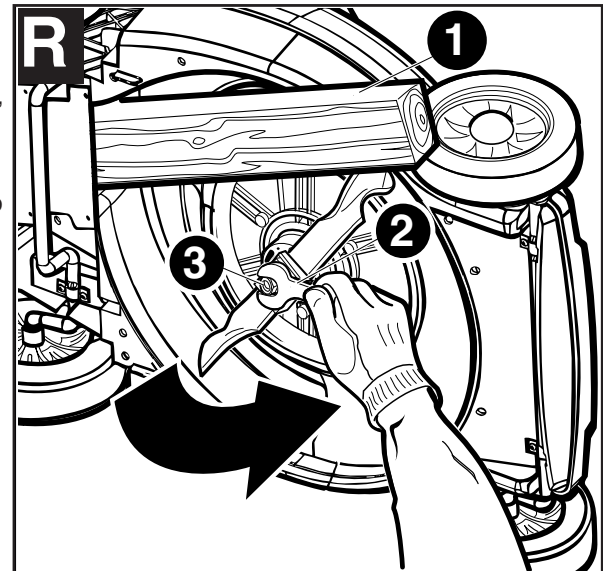
1. Avoid mowing when the grass is wet from rain or dew. Wet grass may form clumps which interfere with the mulching action and reduce run-time. The best time to mow grass is in the late afternoon when the grass is dry and the newly cut area will not be exposed to direct sunlight.
2. For best mulching performance, set the cutting height to remove about one third of the grass blade length, ideally no more than 1-1/2 in. at one time. If the lawn is overgrown, it may be necessary to increase the cut height to reduce the pushing effort and prevent overloading the motor. Slow your cutting pace in tall or thick grass conditions. For extremely heavy mulching, it is advisable to first cut at a high cut height setting, and then re-cut to the final cut height. **ALWAYS MAKE SURE BLADE IS SHARP.**
3. For best performance, keep the mower housing free of built-up grass. From time to time release bail handle to turn mower off and wait for the blade to come to a complete stop. Then remove the safety key and battery pack and turn mower on its side. Using an object such as a stick, wipe out any accumulation of grass in the blade area. Be careful of the sharp edges of the blade. Clean often in wet, spring grass, and always after every use.
4. Certain types of grass or grass conditions may require that an area be mulched a second time to fully disperse the grass throughout the lawn. If cutting a second time, it is advisable to cut perpendicular (across) the first cut pattern. **DO NOT CHANGE CUT PATTERN IN ANY WAY THAT WOULD CAUSE MOWING DOWN A HILL.**
5. Change your cutting pattern from week to week. This will help prevent matting of the lawn.

MAINTENANCE

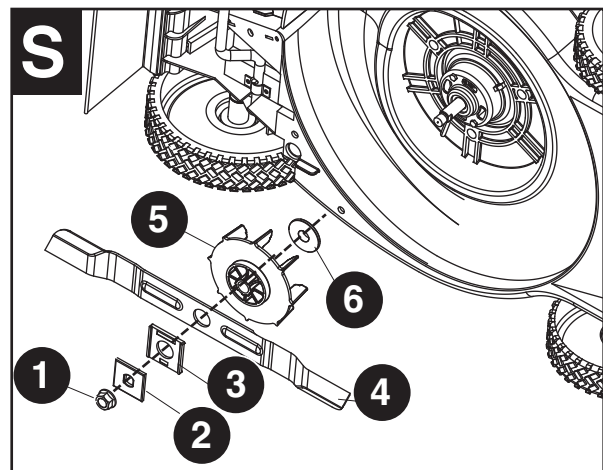
IMPORTANT: To assure product SAFETY and RELIABILITY, repairs, maintenance and adjustment (including brush inspection and replacement) should be performed by BLACK & DECKER Service Centers or other qualified service organizations, always using Black & Decker replacement parts. When servicing use ONLY IDENTICAL REPLACEMENT PARTS.

REMOVING AND INSTALLING BLADE - FIGURE R

1. RELEASE BAIL HANDLE TO TURN MOWER OFF, WAIT FOR THE BLADE TO STOP, AND REMOVE SAFETY KEY AND BATTERY PACK.
2. Cut a piece of **2x4 wood R-1** (about 2 feet long) (610 mm) to keep blade from turning while removing flange nut.
3. Turn the mower on its side. Wear gloves and proper eye protection. Be careful of sharp edges of blade. Position **wood R-1** and remove **flange nut R-3** with **3/4 in. (19mm) wrench R-2** as shown in **figure R**.



4. Remove square **metal blade spacer S-2**, square **plastic blade insulator S-3** and **blade S-4** as shown in **figure S**. Examine blade insulator for damage and replace if necessary.
5. When replacing sharpened or new blade on shoulder of **fan S-5**, make sure the "GRASS SIDE" on the blade will be facing the ground when the mower is returned to its normal upright position. After installing **blade S-4**, place **plastic blade insulator S-3** on blade such that the raised lips on one side engage the edges of the blade. Then install the **blade spacer S-2** so that it sits inside the raised lips on the other side of the blade insulator. Be sure to align the flats in the hole of the blade spacer with the flats of the shaft, rotating the blade and blade insulator together as necessary.



- Position piece of **wood T-1** to keep blade from turning as shown in **figure T**. Install flange nut with the flange against the blade spacer and securely tighten.

BLADE SHARPENING

KEEP BLADE SHARP FOR BEST MOWER PERFORMANCE. A DULL BLADE DOES NOT CUT GRASS CLEANLY OR MULCH PROPERLY.

USE PROPER EYE PROTECTION WHILE REMOVING, SHARPENING, AND INSTALLING BLADE. ENSURE THAT SAFETY KEY AND BATTERY PACK IS REMOVED.

Sharpening the blade twice during a mowing season is usually sufficient under normal circumstances. Sand causes the blade to dull quickly. If your lawn has sandy soil, more frequent sharpening may be required.

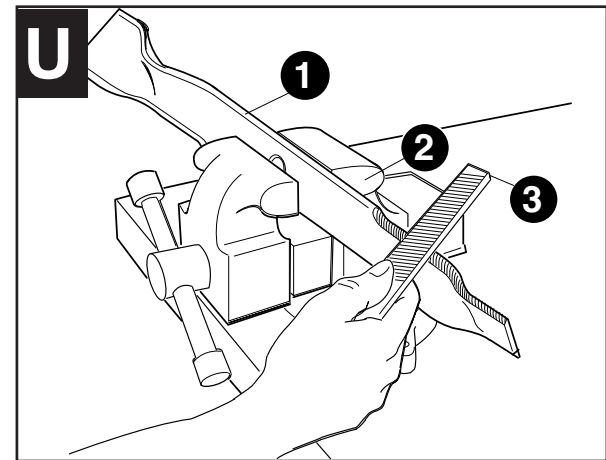
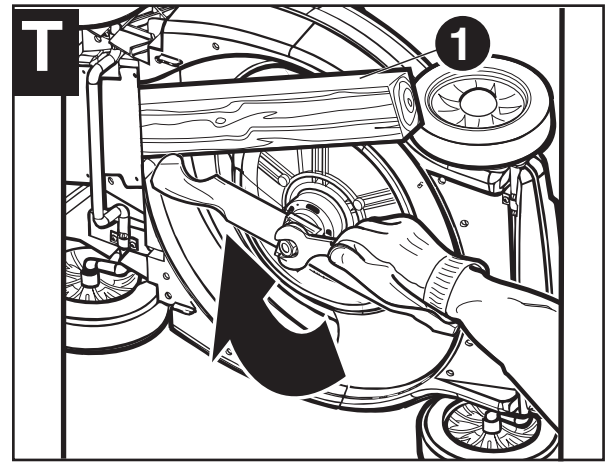
REPLACE BENT OR DAMAGED BLADE IMMEDIATELY.

WHEN SHARPENING THE BLADE:

- Make sure blade remains balanced.
- Sharpen blade at the original cutting angle.
- Sharpen cutting edges on both ends of blade, removing equal amounts of material from both ends.

TO SHARPEN BLADE IN A VISE:

- Be sure the bail handle is released, the blade has stopped and safety key and battery pack removed before removing the blade.
- Remove blade from mower. See instructions for removing and installing blade.
- Secure **blade U-1** in a **vise U-2**.
- Wear proper eye protection and gloves and be careful not to cut yourself.
- Carefully file the cutting edges of the blade with a **fine tooth file U-3** or sharpening stone, maintaining the original cutting edge.
- Check balance of blade. See instructions for blade balancing.
- Replace blade on mower and tighten securely.



BLADE BALANCING

Check balance of blade by placing center hole in **blade V-1** over a nail or round shank **screwdriver V-2**, clamped horizontally in a **vise V-3**. If either end of the blade rotates downward, file that end. Blade is properly balanced when neither end drops.

LUBRICATION

No lubrication is necessary. Do not oil the wheels. They have plastic bearing surfaces which require no lubrication.

CLEANING

Release bail handle to turn mower off, let the blade come to a stop and then remove safety key and battery pack. Use only mild soap and a damp cloth to clean the mower. Clean out any clippings which may have accumulated on the underside of the deck and in discharge chute. After several uses, check all exposed fasteners for tightness. Ensure that the mower battery compartment and terminals are kept clear of debris.

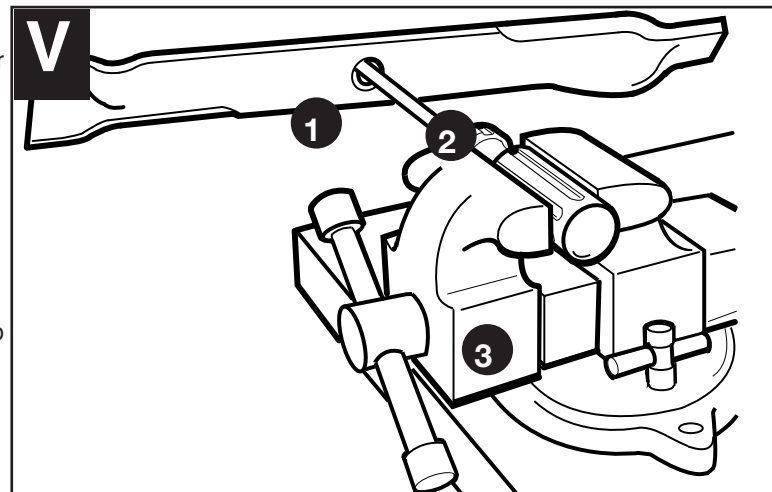
PREVENTING CORROSION

Fertilizers and other garden chemicals contain agents which greatly accelerate the corrosion of metals. If you mow in areas where fertilizers or chemicals have been used, the mower should be cleaned immediately afterward as follows: (1) Release bail handle to turn mower off and remove safety key and battery pack. (2) Wipe all exposed parts with a damp cloth. **CAUTION:** DO NOT POUR OR SPRAY WATER ON THE MOWER IN AN ATTEMPT TO CLEAN IT. Do not store the lawn mower on or adjacent to fertilizers or chemicals. Such storage can cause rapid corrosion.

TRANSPORTING AND STORAGE

DANGER: Rotating blade can cause serious injury. Release bail handle to turn mower off and remove the safety key before lifting, transporting or storing the mower. Store in a dry place. Note: The mower will not be as heavy to lift if the battery pack is removed first. Do not use the latch as a lift point for the mower. Do not lift the mower by the battery handles.

WARNING: Mower should not be lifted by the handle when in storage position. Use the metal side plates and deck as grab points.



STORAGE POSITION

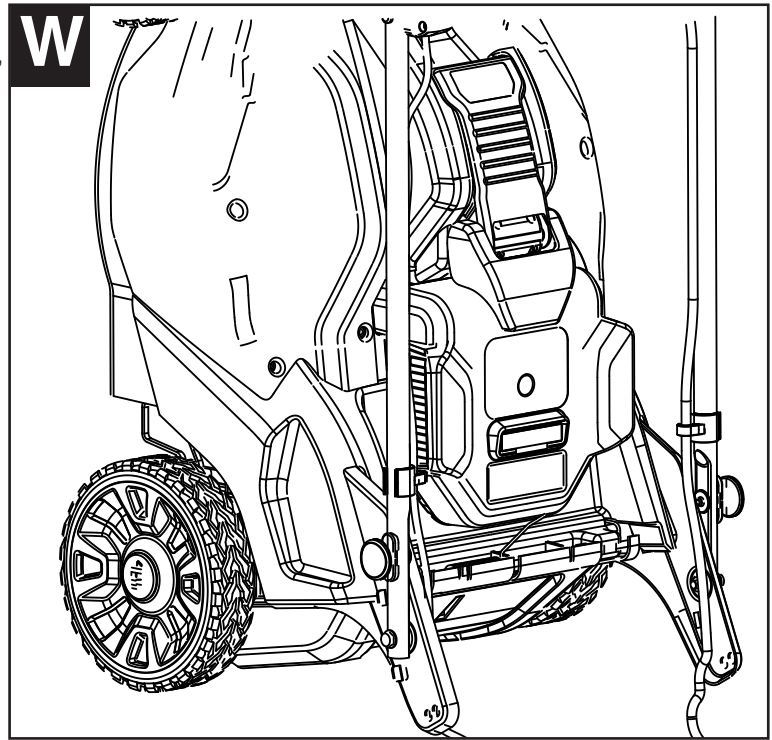
For more compact storing the mower can be stored in an upright position, with the handle folded over as shown in **figure W**. The mower can also be charged in this upright position.

To place the mower in a convenient storage position:

1. Remove safety key.
2. Hold handle with one hand, pull and rotate one **handle quick adjust knob** on mower handle a quarter-turn to release the pin from the metal plate hole. **Handle quick adjust knob** will remain in this retracted position. Repeat for the opposite side **handle quick adjust knob**. Now the handle is free to move into another handle height position.
3. Swing the handle forward over the front of the mower.
4. Pull and rotate **handle quick adjust knobs** a quarter-turn to re-engage pins into metal plate holes. Shake handle slightly to ensure handle pins are fully engaged in the metal plates.
5. Now the mower can be rotated back onto its rear wheels as shown in **figure W**.
6. Be careful not to pinch power cord when folding and unfolding handle.

CAUTION: If handle is not in locked position in upright storage position, the handle may fall back and cause injury or damage. Place blade side against vertical wall.

CAUTION: Pinch point. To avoid being pinched, keep fingers away from area between handles when lowering.



OFF-SEASON STORAGE

1. In warmer climates to ensure optimal performance, it is recommended that the battery be maintained on constant charge.
2. The mower may be stored with the charger disconnected if all of the following conditions are met.
 - the battery is fully charged before storing. (Failure to store fully charged will shorten battery life).
 - the average temperature of the storage location is below 50°F (10°C).
 - storage duration is less than 6 months.

BATTERY SERVICE AND INSTALLATION

When service or repair is required, it is recommended that you take your mower to an authorized Black & Decker Service Center.

When servicing or replacing batteries, please note:

- Use only the same type and size of battery as originally supplied.
- Do not dispose of the batteries in a fire. The cell may explode. See Battery Recycling information below.
- Do not open or mutilate the batteries. Released electrolyte is corrosive and may cause damage to the eyes or skin. It may be toxic if swallowed.
- Exercise care in handling batteries in order not to short the battery with conducting materials such as rings, bracelets, and keys. The battery or conductor may overheat and cause burns.

THE RBRC™ SEAL (BATTERY RECYCLING)

The RBRC™ (Rechargeable Battery Recycling Corporation) Seal on the lead acid battery (or battery pack) indicates that the costs to recycle the battery (or battery pack) at the end of its useful life have already been paid by Black & Decker. In some areas, it is illegal to place spent lead acid batteries in the trash or municipal solid waste stream and the RBRC program provides an environmentally conscious alternative.

RBRC in cooperation with Black & Decker and other battery users, has established programs in the United States and Canada to facilitate the collection of spent lead acid batteries. Help protect our environment and conserve natural resources by returning the lead acid battery to an authorized Black & Decker service center or to your local retailer for recycling. You may also contact your local recycling center for information on where to drop off the spent battery, or call **1-800-544-6986**.



Accessories

Recommended accessories for use with your mower are available from your local dealer or authorized service center. If you need assistance regarding accessories, please call: **1-800-544-6986**

WARNING: The use of any accessory not recommended for use with this lawn mower could be hazardous.

p/n 242501-05 REPLACEMENT GRASS BAG

MB-1200 REPLACEMENT BLADE

RB-3610, RB-3612 or RB-3675 BATTERY PACK

FC3600 FAST CHARGER

HERE ARE SOME HELPFUL HINTS TO GET THE MOST FROM YOUR BLACK & DECKER CORDLESS MOWER...AND KEEP YOUR LAWN LOOKING BEAUTIFUL

1. Lawns should first be mowed in the spring when the grass is about 2-1/2 to 3 inches (63mm) to (76mm) high. Mowing too early restricts the grass root systems which renew themselves every spring. New grass should be mowed when it is about 2-1/2 inches (63mm) high.
2. Do not remove too much grass blade surface at one time...never more than 1/3 of the leaf height during each cutting. Cutting too close "shocks" sensitive grass blades, resulting in a shallow root system and thus making it more difficult for your lawn to reach water in the soil.
3. Lawn care experts say that excessively close cutting is responsible for much of the difficulty experienced on many lawns. The depth and strength of the roots of grass are almost exactly proportional to its growth. Grasses of mature lawns often are seriously injured when mowed shorter than 1-1/2 inches (38mm), and a height of 1-1/2 to 2 inches (38mm) to (51mm) is preferred on large lawns.
4. Mow your lawn when it is dry to avoid clumping of wet grass. If you have a choice, late afternoon is the ideal time for mowing, not only

- because the grass is dry, but also because the sensitive new cut area of the grass will not be exposed to intense sunlight.
5. Keep the mowing blade sharp for a nice clean cut. This improves the mower's performance and enhances the look of your lawn. A dull blade shatters and bruises the tips of the grass. This impairs the healthy growth of your lawn and increases susceptibility to turf diseases. If the grass tips are bruised it causes a brownish color and gives your lawn an unhealthy appearance. A dull blade may also pull up young seedlings.
 6. Try to mow your lawn at the same (consistent) cutting height. While there are times when you should vary the cutting height with the changing seasons, a consistent cutting height produces a healthier, lovelier lawn with generally fewer weeds. Mow more frequently during periods of fast growth. Frequent cutting ensures that the lower, less attractive portion of the grass will not show.
 7. If your lawn has grown too long, (a vacation, for example, may interrupt your cutting schedule) mow at a cutting height one or two positions higher than normal. A second pass at "normal" cutting height a few days later will put your lawn back on schedule. Changing the cutting height is a simple matter with Black & Decker's One Touch Wheel Height Adjustment, which simultaneously adjusts all four wheels at once.
 8. During the spring and fall, (or after an interruption to the cutting schedule) the grass will be longer and thicker. If the motor continually slows down while cutting, try setting the wheels for a higher cutting height. Excessive motor loading can result in uneven cutting and quicker discharge of the battery.
 9. Three good ideas to enhance your lawn's appearance: Vary the mowing direction frequently; mow horizontally on hillsides; (this is also a good safety practice) and do not forget to overlap the mowing path on each pass.
 10. Always mow grass so that clippings are discharged onto cut lawn. This will keep your lawn looking fresh by avoiding "Cut Grass" build-up which will eventually brown and appear ugly. This method also preserves your battery charge, ensuring you get the most from your Black & Decker Cordless Power Mower.
 11. During the spring and fall seasons when the grass is longer and thicker, you can use your mower without its battery being fully recharged. (i.e. green charge indication light is on). This will enable you to perform short cutting tasks, but we don't recommend this be done frequently. The battery and mower perform much better if charged fully.

TROUBLESHOOTING GUIDE

PROBLEM

SOLUTION

1. Mower doesn't run when bail handle is activated.	A. Check to make sure safety key has been installed and is fully seated and that button on switch housing is being completely depressed. B. Release bail handle to turn mower off. Remove safety key and battery pack, turn mower over and check that blade is free to turn. C. Check that the battery cavity is free of debris and is connected properly. D. Has battery been fully charged? Plug in charger and wait for green light to come on.
2. Motor stops while mowing.	A. Release bail handle to turn mower off. Remove safety key and battery pack. Turn mower over and check that blade is free to turn. B. Raise cutting height of wheels to highest position and start mower. C. Check that the battery cavity is free of debris and is connected properly. D. Has battery been fully charged? Plug in charger and wait for green light to come on. E. Avoid overloading the mower. Slow down the cutting pace, or raise the cut height.
3. Mower runs but cutting performance is unsatisfactory, or does not cut entire lawn.	A. Has battery been fully charged? Plug in charger and wait for green light to come on." B. Release bail handle to turn mower off. Remove safety key and battery pack. Turn mower over and check: Blade for sharpness - Keep blade sharp. Deck and discharge chute for clogging. C. Wheel height adjustment may be set too low for grass condition. Raise cutting height.
4. Mower is too hard to push.	A. Raise cutting height to reduce deck drag on grass. Check each wheel for free rotation.
5. Mower is abnormally noisy and vibrates.	A. Release bail handle to turn mower off. Remove safety key and battery pack. Turn mower on side and check blade to ensure it has not been bent or damaged. If blade is damaged, replace with a Black & Decker replacement blade. If the underside of the deck is damaged return mower to a Black & Decker Authorized service center. B. If there is no visible damage to the blade and the mower still vibrates the blade may need to be balanced. See manual for Blade Balancing. If mower still vibrates after blade is balanced, release bail handle to turn mower off, remove safety key and battery pack and remove blade. Rotate blade 180 degrees and retighten. If mower still vibrates, return the mower to an authorized Black & Decker service center.
6. Battery charger LED's not on.	A. Check plug connection. Unplug charger, wait a few seconds. Plug charger in again to see if LED's come on. B. The battery pack charge port is accessible only when removed from the mower. Check charge port to see if charger LED's come on. C. Replace charger.
7. Battery charger LED does not flip to green.	A. A. Unplug charger and wait a few seconds. Plug in again and leave on charge for minimum 8 hours at Normal rate, or one hour in Fast Charge rate (flashing green light). B. If charger LED is not green, battery may need to be diagnosed. Take to authorized service center.

PROBLEM

SOLUTION

8. Mower not picking up clippings with bag.	A. Chute clogged. Release bail handle to turn mower off. Remove safety key and battery pack. Clear chute of grass clippings. B. Too much cut grass. Raise cutting height of wheels to shorten length of the cut. C. Bag full. Empty bag more often.
9. When mulching there are clippings visible.	A. Too much cut grass. Raise cutting height of wheels to shorten length of the cut. Do not cut off more than 1/3 of total length. B. Check blade for sharpness. Always keep blade sharp.
10. On mower equipped with On Demand - Knob is difficult to adjust into position.	A. Deck chute may be too clogged. Release bail handle to turn mower off. Remove safety key and battery pack. Clear chute of grass clippings.

NOTE

Should the red light remain on after charging the battery for 24 hours on initial charge, the mower can still be used. The battery may need to be "conditioned" requiring a few battery charge and discharge cycles before the green indicator light comes on.

THIS IS ONLY A GUIDE INTENDED TO ENABLE YOU TO PERFORM VISUAL CHECKS AND SIMPLE TESTS. SHOULD NONE OF THE SOLUTIONS PROVIDE SATISFACTION OR IMPROVE PERFORMANCE CALL 1-800-544-6986 (1-800-54-HOW-TO) TO SPEAK TO A CONSUMER SERVICE REPRESENTATIVE OR TAKE THIS MOWER TO THE CLOSEST AUTHORIZED BLACK & DECKER SERVICE CENTER FOR SERVICING.

Service Information

All Black & Decker Service Centers are staffed with trained personnel to provide customers with efficient and reliable power tool service. Whether you need technical advice, repair, or genuine factory replacement parts, contact the Black & Decker location nearest you. To find your local service location, refer to the yellow page directory under "Tools—Electric" or call: **1-800-544-6986** or visit **www.blackanddecker.com**

WARRANTIES

Full Two-Year Home Use Warranty

Black & Decker (U.S.) Inc. warrants this product for two years against any defects in material or workmanship. The defective product will be replaced or repaired at no charge in either of two ways.

The first, which will result in exchanges only, is to return the product to the retailer from whom it was purchased (provided that the store is a participating retailer). Returns should be made within the time period of the retailer's policy for exchanges (usually 30 to 90 days after the sale). Proof of purchase may be required. Please check with the retailer for their specific return policy regarding returns that are beyond the time set for exchanges.

The second option is to take or send the product (prepaid) to a Black & Decker owned or authorized Service Center for repair or replacement at our option. Proof of purchase may be required. Black & Decker owned and authorized Service Centers are listed under "Tools-Electric" in the yellow pages of the phone directory.

This warranty does not apply to accessories. This warranty gives you specific legal rights and you may have other rights which vary from state to state or province to province. Should you have any questions, contact the manager of your nearest Black & Decker Service Center. This product is not intended for commercial use.

FREE WARNING LABEL REPLACEMENT: If your warning labels become illegible or are missing, call **1-800-544-6986** for a free replacement.

LATIN AMERICA: This warranty does not apply to products sold in Latin America. For products sold in Latin America, check country specific warranty information contained in the packaging, call the local company or see the website for warranty information.

Deck Warranty

Lifetime Warranty for DECK only against any defects in material or workmanship.

Imported by
Black & Decker (U.S.) Inc.,
701 E. Joppa Rd.
Towson, MD 21286 U.S.A.



See 'Tools-
Electric'
- Yellow Pages -
for Service &
Sales

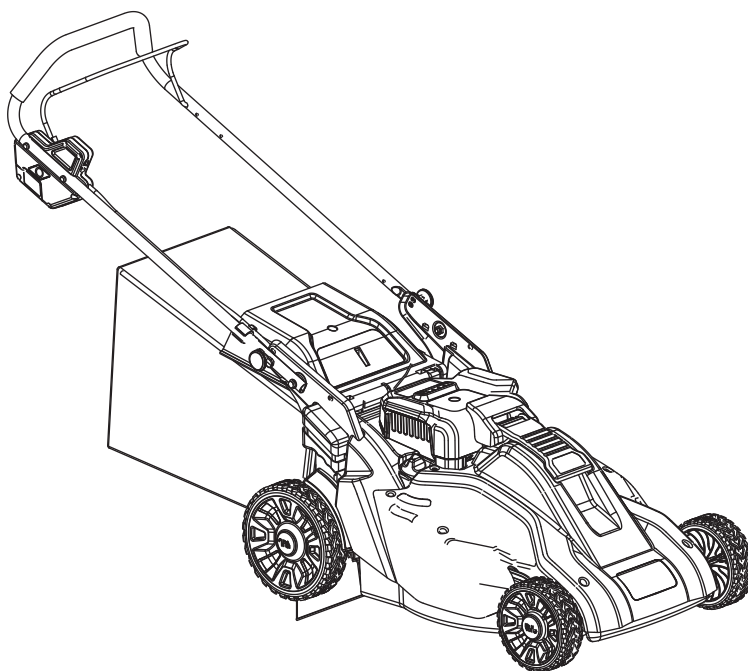




Tondeuses déchiqueteuses avec sac arrière sans fil de 483 mm (19 po)

GUIDE D'UTILISATION

Numéro de catalogue CM1936ZF2



**Merci d'avoir choisi Black & Decker! Consulter le site Web
www.BlackandDecker.com/NewOwner pour enregistrer votre nouveau produit.**

À LIRE AVANT DE RETOURNER CE PRODUIT POUR QUELQUE RAISON QUE CE SOIT :

Si des questions ou des problèmes surgissent après l'achat d'un produit Black & Decker, consulter le site Web

[HTTP://WWW.BLACKANDDECKER.COM/INSTANTANSWERS](http://www.blackanddecker.com/instantanswers)

pour obtenir des réponses instantanément 24 heures par jour.

Si la réponse est introuvable ou en l'absence d'accès à l'Internet, composer le 1 800 544-6986 de 8 h à 17 h HNE, du lundi au vendredi, pour parler avec un agent. Prière d'avoir le numéro de catalogue sous la main lors de l'appel.


VOICI DES RENSEIGNEMENTS IMPORTANTS QU'IL VOUS FAUT CONNAÎTRE :

- Ne pas utiliser la tondeuse si la poignée n'est pas bloquée en position.
- Pour une meilleure coupe, maintenir la lame aiguisée et équilibrée.
- Examiner et nettoyer soigneusement la tondeuse après chaque utilisation (du gazon adhérent au châssis peut réduire le rendement).
- S'assurer que la surface à tondre est à l'écart de toute personne ou animal de compagnie avant de démarrer la tondeuse et en cours d'utilisation.
- Charger complètement la tondeuse avant la première utilisation pour obtenir un rendement optimal. Remettre le bloc-piles à pleine charge après chaque utilisation.


CONSERVER CE MANUEL POUR UN USAGE ULTÉRIEUR.

LIGNES DIRECTRICES EN MATIÈRE DE SÉCURITÉ - DÉFINITIONS

Il est important de lire et de comprendre ce mode d'emploi. Les informations qu'il contient concernent VOTRE SÉCURITÉ et visent à ÉVITER TOUT PROBLÈME. Les symboles ci-dessous servent à aider à reconnaître cette information.

 **DANGER** : Indique une situation dangereuse imminente qui, si elle n'est pas évitée, causera la mort ou des graves blessures.

 **AVERTISSEMENT** : Indique une situation potentiellement dangereuse qui, si elle n'est pas évitée, pourrait causer la mort ou de graves blessures.

 **MISE EN GARDE** : Indique une situation potentiellement dangereuse qui, si elle n'est pas évitée, pourrait causer des blessures mineures ou modérées.

AVIS : Utilisé sans le symbole d'alerte à la sécurité, indique une situation potentiellement dangereuse qui, si elle n'est pas évitée, peut résulter en des dommages à la propriété.

Voici une explication des symboles de danger importants sur la tondeuse.



1. L'utilisateur doit lire et comprendre le mode d'emploi.



2. Pour réduire le risque de blessures graves, ne pas tondre les pentes de haut en bas ou de bas en haut. Toujours tondre les pentes en diagonale.



3. Pour éviter des blessures aux personnes et aux animaux à proximité, les garder à bonne distance de la tondeuse en cours de fonctionnement.




4. Des lames en mouvement (rotation) risquent de provoquer de graves blessures. Tenir les mains et les pieds éloignés du châssis et de l'ouverture de décharge de la tondeuse. Toujours s'assurer que la lame s'est arrêtée (attendre la fin de la rotation de la lame, soit environ 3 secondes après avoir relâché l'anse et retiré la clé de sûreté) avant de retirer et de replacer le collecteur d'herbe, de nettoyer, d'entretenir, de transporter ou de soulever la tondeuse.



5. Les objets percutés par la lame de la tondeuse peuvent provoquer de graves blessures. Se tenir derrière la poignée lorsque le moteur tourne. Toujours s'assurer que les personnes et les animaux de compagnie sont loin de la décharge de la tondeuse lors de son fonctionnement. Toujours inspecter la surface à tondre avant de commencer et retirer tout objet qui pourrait être projeté par la lame. Relâcher l'anse pour éteindre la tondeuse et attendre que la lame s'immobilise (environ 3 secondes) avant de traverser des allées, des routes, des patios et des allées gravelées.

AVERTISSEMENT : AVERTISSEMENTS DE SÉCURITÉ ET DIRECTIVES DE PREMIÈRE IMPORTANCE

 **AVERTISSEMENT** : si des outils électriques de jardinage sont utilisés, des précautions de base en matière de sécurité doivent être suivies afin de réduire le risque d'incendie, de décharge électrique et de blessure corporelle, notamment les suivantes.

LIRE TOUTES CES DIRECTIVES

RÉDUCTION DES RISQUES ET DES BLESSURES :

- Avant tout usage, veiller à ce que tout utilisateur de cet outil lise et comprenne toutes les directives de sécurité ainsi que l'information comprise dans le présent manuel.
- Conserver ces directives et les examiner fréquemment avant d'utiliser l'appareil ou de donner des directives aux autres.

DANGER : MESURES DE SÉCURITÉ IMPORTANTES POUR TONDEUSE À CONDUCTEUR ACCOMPAGNANT

Cette tondeuse peut amputer les bras et les jambes et projeter des objets. Le non-respect des directives de sécurité ci-dessous peut provoquer de sérieuses blessures ou un décès.

UTILISATION GÉNÉRALE

1. Lire, comprendre et respecter les directives figurant sur la tondeuse et dans le mode d'emploi avant de commencer.
2. Ne pas approcher les mains ou les pieds de la tondeuse ou de sa partie inférieure. Toujours se tenir à l'écart de l'ouverture d'éjection.
3. Ne permettre qu'à des adultes responsables, familiers de ces directives, d'utiliser cette tondeuse.
4. Débarrasser la zone à tondre des objets tels les pierres, les tiges, les fils, les jouets, les os, etc., qui pourraient être projetés par la lame. Les objets percutés par la lame peuvent provoquer de graves blessures corporelles. Se tenir derrière la poignée lorsque le moteur tourne.
5. S'assurer qu'il n'y a personne à proximité de la tondeuse avant l'utilisation. Tenir les curieux et les animaux à une distance sûre. Arrêter la tondeuse si quelqu'un pénètre dans la zone de tonte.
6. Ne pas utiliser l'appareil avec les pieds nus ou des sandales. Toujours mettre des chaussures épaisses.
7. Ne pas tirer la tondeuse vers l'arrière sauf en cas d'absolue nécessité. Regarder vers le bas et derrière soi avant et pendant tout déplacement en marche arrière.
8. Ne jamais diriger l'éjection en direction d'une personne. Éviter d'éjecter les substances contre un mur ou un obstacle. Les substances pourraient ricocher vers l'opérateur. Dégager l'anse pour éteindre la tondeuse et arrêter la lame avant de traverser une surface gravelée.
9. Ne pas utiliser la tondeuse sans installer le collecteur d'herbe, la protection de l'éjecteur, la protection arrière ou toute autre protection de sécurité en place et qui fonctionne. Vérifier régulièrement toutes les protections et tous les dispositifs de sûreté pour s'assurer qu'ils sont en bon état de fonctionnement afin d'assurer un fonctionnement adéquat selon sa fonction prévue. Remplacer tout verrou, protection ou autre dispositif de sûreté endommagé avant l'utilisation.
10. Ne jamais laisser une tondeuse en marche sans surveillance.
11. Toujours dégager l'anse pour couper le moteur, attendre que la lame s'immobilise complètement et retirer la clé de sûreté avant de nettoyer la tondeuse, d'enlever le collecteur d'herbe ou de déboucher la protection de l'éjecteur, avant de laisser la tondeuse ou avant tout réglage, dépannage ou vérification.
12. N'utiliser la tondeuse qu'à la lumière du jour ou avec un bon éclairage artificiel lorsque les objets situés dans le champ de la lame sont clairement visibles à partir du point d'opération de la tondeuse.
13. Ne pas utiliser la tondeuse sous l'emprise de l'alcool ou de drogues ou en cas de fatigue ou de maladie. Demeurer vigilant, surveiller le travail effectué, et faire preuve de jugement.
14. Éviter les conditions environnementales dangereuses. Ne jamais utiliser la tondeuse dans des endroits humides ou mouillés et ne jamais l'utiliser sous la pluie. Toujours s'assurer d'avoir le pied sûr; marcher; ne jamais courir.

15. Désengager le système d'entraînement, le cas échéant, avant de démarrer le moteur.
16. Si la tondeuse se met à vibrer de façon anormale, relâcher l'anse, attendre que la lame s'immobilise et retirer la clé de sûreté et le bloc-piles, puis en rechercher immédiatement la raison. Une vibration signale généralement un problème.
17. Toujours mettre une protection respiratoire et pour les yeux durant l'utilisation de la tondeuse.
18. L'utilisation de tout accessoire ou pièce non recommandés avec cette tondeuse s'avère dangereuse. N'utiliser que les accessoires approuvés par Black & Decker.
19. Ne jamais trop tendre les bras en utilisant la tondeuse. Toujours s'assurer de conserver son équilibre à tout moment au cours de l'utilisation de la tondeuse.

UTILISATION SUR UNE PENTE

Les pentes sont un facteur majeur de glissades et de chutes, qui peuvent entraîner de graves blessures. L'utilisation sur toutes les pentes demande une attention particulière. Ne pas tondre une pente sur laquelle on ne se sent pas à l'aise.

1. Tondre les pentes en diagonale, jamais de haut en bas. Être extrêmement prudent lors des virages sur les pentes.
2. Faire attention aux trous, ornières, rebonds, pierres ou autres objets cachés. Une surface inégale peut provoquer une glissade ou une chute. Une herbe haute peut cacher des obstacles.
3. Ne pas tondre une herbe mouillée ou des pentes excessivement escarpées. Un équilibre instable peut provoquer une glissade ou une chute.
4. Ne pas tondre près des falaises, des fossés ou des talus. Il y a un risque de perdre sa stabilité ou son équilibre.

ENFANTS

Des incidents tragiques peuvent survenir si l'opérateur n'est pas vigilant en présence d'enfants. Les enfants sont parfois attirés par la tondeuse et l'opération de tonte. Ne jamais supposer qu'un enfant est resté au dernier endroit où il a été vu.

1. Tenir les enfants à l'écart de la zone de tonte et sous la surveillance attentive d'un adulte responsable autre que l'opérateur.
2. Rester vigilant et arrêter la tondeuse si un enfant pénètre dans la zone.
3. Ne jamais laisser un enfant utiliser la tondeuse.
4. Être très prudent aux environs des virages, arbustes, arbres ou autres objets qui peuvent vous empêcher de voir un enfant.

RÉVISION GÉNÉRALE

1. Ne jamais utiliser la tondeuse dans un endroit clos.
2. Maintenir tous les écrous et les boulons serrés pour s'assurer que le matériel est en bon état de fonctionnement.
3. Ne jamais altérer le dispositif de sécurité. S'assurer régulièrement de son fonctionnement adéquat.
4. Éviter l'accumulation d'herbe, de feuilles et d'autres débris sur la tondeuse. Laisser la tondeuse refroidir avant de la stocker.
5. En cas de choc contre un obstacle, dégager l'anse pour éteindre la tondeuse, attendre que la lame s'immobilise puis retirer la clé de sûreté et le bloc-piles et examiner la tondeuse. Réparer tout dommage avant de démarrer et d'utiliser la tondeuse.
6. Ne jamais effectuer de réglages ou de réparations lorsque le moteur est en marche ni lorsque la tondeuse est branchée.
7. Toujours retirer la clé de sûreté et le bloc-piles avant les réglages, le nettoyage, le dépannage, l'inspection, le transport ou le stockage ou avant de laisser la tondeuse.
8. Vérifier fréquemment les composants du collecteur d'herbe et la protection de l'éjecteur et, au besoin, remplacer par les pièces recommandées par Black & Decker seulement.
9. Les lames de tondeuses sont tranchantes. Recouvrir la lame ou mettre des gants, et être très prudent lors de l'entretien.
10. Prendre soin ou remplacer les étiquettes et les directives de sécurité, au besoin.

Cet appareil est conforme aux dispositions du paragraphe 15 des règlements de la FCC. Son fonctionnement est régi par les deux conditions suivantes : (1) Cet appareil ne peut pas causer d'interférence nuisible et (2) cet appareil doit accepter toutes les interférences reçues, y compris celles qui risquent d'en gêner le fonctionnement.

REMARQUE : ce matériel a été testé et a été déclaré conforme aux limites en vigueur concernant les dispositifs numériques de classe B, en vertu de la partie 15 de la réglementation FCC. Ces limites visent à assurer une protection raisonnable contre tout brouillage nuisible dans une installation résidentielle. Ce matériel produit, consomme et peut émettre une énergie de radiofréquence et, s'il n'est pas installé et utilisé conformément aux directives qui l'accompagnent, il peut entraîner un brouillage nuisible des communications radio. Cependant, nous ne garantissons pas l'absence de brouillage dans tous les types d'environnement. Si, après avoir effectué une vérification en mettant l'appareil hors tension puis sous tension, l'utilisateur s'aperçoit que ce matériel provoque un brouillage nuisible à la réception des signaux de radio ou de télévision, il lui faudra essayer de corriger ce brouillage en prenant une ou plusieurs des mesures ci-dessous :

- Réorienter ou repositionner l'antenne de réception.
- Éloigner le plus possible le matériel du récepteur.
- Brancher le matériel dans une prise électrique située sur un circuit différent de celui du récepteur.
- Consulter le distributeur ou un technicien radio/télévision expérimenté pour obtenir de l'aide.

Tout changement ou toute modification à cet appareil qui n'est pas expressément approuvé par l'institution responsable de la conformité peut faire annuler le droit de l'utilisateur d'utiliser ce matériel. Cet appareil numérique de la classe B est conforme à la norme NMB-003 du Canada.

CONSERVER CES MESURES.

⚠ AVERTISSEMENT : AVERTISSEMENTS ET DIRECTIVES DE SÉCURITÉ GÉNÉRALES POUR TOUS LES OUTILS

- **CET OUTIL PEUT ÊTRE DANGEREUX.** Respecter tous les avertissements et directives de sécurité contenues dans ce manuel. L'opérateur est responsable du respect des avertissements et directives de sécurité contenus dans ce manuel et indiqués sur la machine. Restreindre l'usage de cette tondeuse à des personnes capables de lire, de comprendre et de respecter les avertissements et directives de sécurité contenus dans ce manuel et indiqués sur la machine.
- **RANGER LA TONDEUSE INUTILISÉE À L'INTÉRIEUR.** Toujours ranger la tondeuse sans la clé de sûreté. Lorsqu'elles ne sont pas utilisées, les tondeuses doivent être rangées à l'intérieur dans un local sec et verrouillé - hors de la portée des enfants.
- **NE PAS FORCER LA TONDEUSE.** Il fera un meilleur travail à la vitesse pour laquelle il a été conçu, et ce, sans risque de blessure.
- **UTILISER L'APPAREIL ÉLECTRIQUE APPROPRIÉ.** Ne pas utiliser la tondeuse pour une autre application que celle pour laquelle elle a été prévue.
- **S'HABILLER DE MANIÈRE APPROPRIÉE.** Ne pas porter de vêtements amples ni de bijoux. Ils peuvent s'enchevêtrer dans les pièces mobiles. Des gants de caoutchouc, des pantalons longs et des chaussures antidérapantes robustes sont recommandés pour les travaux à l'extérieur.
- **UTILISER DES LUNETTES DE SÉCURITÉ ET TOUT AUTRE ÉQUIPEMENT DE SÉCURITÉ.** Utiliser des lunettes de sécurité ou des lunettes à coques conformes aux normes en matière de sécurité et, le cas échéant, un protecteur facial. Utiliser également un masque facial ou antipoussières si l'opération génère de la poussière. Ces directives s'appliquent à toutes les personnes dans la zone de travail. Utiliser aussi un casque de sécurité, des protecteurs auditifs, des gants, des chaussures de sécurité et des systèmes de dépoussiérage lorsque leur utilisation est prévue ou exigée. Des lunettes de sécurité ou des accessoires similaires sont vendus séparément par le détaillant local ou le centre de réparation Black & Decker.
- **NE PAS UTILISER LE CORDON D'ALIMENTATION DE FAÇON ABUSIVE.** Ne jamais transporter la tondeuse par son cordon ou tirer sur ce dernier pour le débrancher du réceptacle. Tenir le cordon éloigné de la chaleur, de l'huile et des bords tranchants.
- **PRENDRE SOIN DE LA TONDEUSE.** Maintenir les arêtes de coupe tranchantes et propres afin d'assurer la meilleure performance et pour réduire le risque de blessures. Suivre les consignes de graissage et de changement d'accessoires. Inspecter régulièrement le cordon de la tondeuse, en cas de dommage, en confier la réparation à un centre de réparation autorisé. Maintenez les poignées sèches, propres et exemptes d'huile et de graisse.

- **ÉVITER LES RISQUES DE DÉMARRAGE ACCIDENTEL.** Ne pas transporter la tondeuse avec la clé de sûreté engagée dans le contact. S'assurer que l'anse n'est pas engagée lors de l'insertion de la clé de sûreté.
- **AVANT UTILISATION,** toujours effectuer un examen visuel pour s'assurer que la lame, les attaches de la lame et le module de coupe ne sont pas usés ou endommagés. Réparer ou remplacer les lames et les attaches endommagées en même temps, pour maintenir l'équilibre. Examiner le cordon de la tondeuse - s'assurer qu'elle est en bon état. L'isolation du cordon doit être intacte, sans fissures ni brèches.
- **UTILISATION DE RALLONGES**
S'assurer que la rallonge est en bon état avant de l'utiliser. Toujours utiliser une rallonge de calibre approprié avec l'outil, c'est-à-dire un calibre de fil approprié pour des cordons de diverses longueurs et dont l'intensité est suffisante pour transporter le courant débité par l'outil. L'utilisation d'un cordon de calibre inférieur causera une chute de tension de ligne et donc une perte de puissance et une surchauffe. Pour connaître les cordons de bon calibre à utiliser, consulter le tableau suivant.

Tension	Calibre minimal des cordons de rallonge			
	Longueur totale du cordon en pieds			
120V	0-25	26-50	51-100	101-150
	(0-7,6m)	(7,6-15,2m)	(15,2-30,4m)	(30,4-45,7m)
240V	0-50	51-100	101-200	201-300
	(0-15,2m)	(15,2-30,4m)	(30,4-60,9m)	(60,9-91,4m)
Intensité (A)				
Au moins		Au plus		Calibre moyen des fils (AWG)
0	-	6	18	16 14
6	-	10	18	16 14 12
10	-	12	16	16 14 12
12	-	16	14	12 Non recommandé

- **VÉRIFIER QUE LES PIÈCES NE SONT PAS ENDOMMAGÉES.** Si un dispositif de protection, ou toute autre pièce, est endommagé, il faut faire examiner soigneusement l'outil, avant toute utilisation ultérieure, afin d'assurer un fonctionnement adéquat selon sa fonction prévue. Vérifier l'alignement des pièces mobiles, la présence de grippage des pièces mobiles et de rupture de pièces, l'assemblage et tout autre problème pouvant nuire au fonctionnement de l'outil. Un dispositif de protection endommagé, ou toute autre pièce endommagée, doit être réparé ou remplacé adéquatement par un centre de réparation autorisé à moins d'un avis contraire indiqué dans le présent mode d'emploi.
- **RÉPARATIONS ET ENTRETIEN.** Les réparations, l'entretien et tout réglage non précisés dans ce mode d'emploi devraient être effectués à un centre de réparation autorisé Black & Decker ou à tout autre centre de réparation professionnel. Utiliser toujours des pièces de rechange identiques.

⚠ DANGER : AVERTISSEMENTS SUPPLÉMENTAIRES POUR TONDEUSES

- **TOUJOURS** tenir fermement la poignée à deux mains durant l'utilisation de la tondeuse.
- **NE JAMAIS** mettre d'écouteur de radio ou de musique pendant l'utilisation de la tondeuse.
- **ATTACHER** les cheveux longs.
- Ne **JAMAIS** essayer d'ajuster la hauteur des roues avec le moteur en marche ou lorsque la clé de sûreté est engagée dans le contact.
- **SI LA TONDEUSE** se bloque, relâcher l'anse pour éteindre la tondeuse, attendre l'immobilisation de la lame et retirer la clé de sûreté et le bloc-piles avant de désencrasser la goulotte ou d'enlever ce qui se trouve sous le châssis.
- **TENIR LES MAINS** et les pieds éloignés de la zone de coupe.
- **MAINTENIR LES LAMES** affûtées. Toujours mettre des gants de protection en manipulant la lame de la tondeuse.
- **EN CAS** d'utilisation d'un collecteur d'herbe, le vérifier régulièrement pour détecter l'usure et les dommages. En cas d'usure excessive, remplacer avec un nouveau sac pour votre sécurité.
- **FAIRE TRÈS ATTENTION** au cours d'une marche arrière ou en tirant la tondeuse vers vous.

⚠ **AVERTISSEMENT :** certaines poussières produites par ce produit contiennent des produits chimiques reconnus par l'État de la Californie comme pouvant causer le cancer, les anomalies congénitales et d'autres dangers pour la reproduction. Voici quelques exemples de ces produits chimiques :

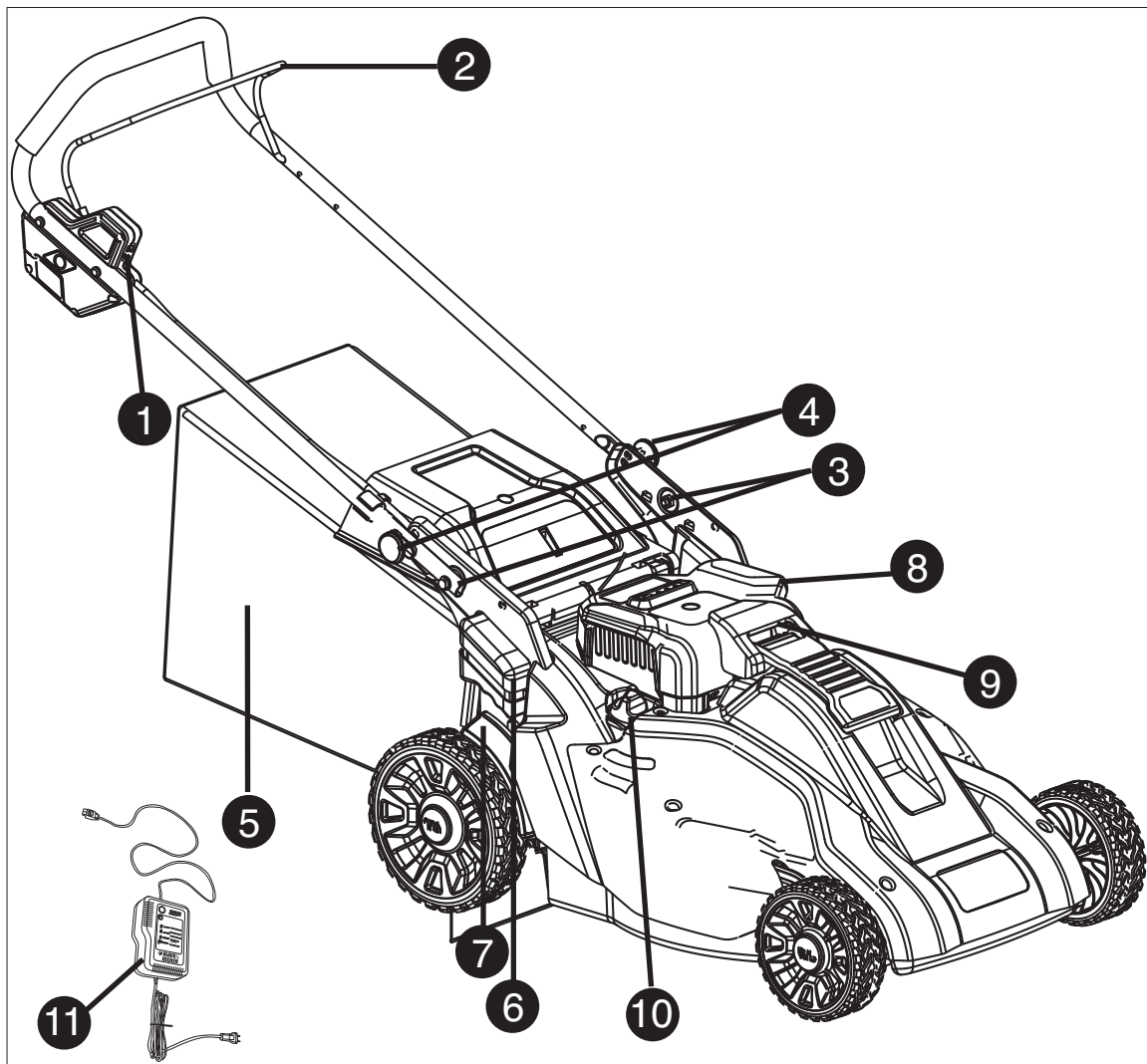
- composés présents dans les engrais
- composés présents dans les insecticides, herbicides et pesticides
- arsenic et chrome provenant de bois traité chimiquement

Pour réduire votre exposition à ces produits chimiques, porter un équipement de sécurité approuvé comme un masque antipoussières conçu spécialement pour filtrer les particules microscopiques.

DESCRIPTION FONCTIONNELLE

CM1936ZF2

- 1.) Clé de sûreté/port de charge
- 2.) Anse (manette du manocontacteur)
- 3.) Boulons de réglage de la poignée
- 4.) Boutons de rangement de la poignée
- 5.) Collecteur d'herbe
- 6.) Dispositif de dégagement du réglage de la hauteur de coupe
- 7.) Indicateur de la hauteur de coupe
- 8.) Pile amovible
- 9.) Verrou de la pile
- 10.) Bouton de sélection de mode
- 11.) Chargeur



PRÉPARATION

SE REPORTER AUX SCHÉMAS (A, B, C...) ET AUX NUMÉROS D'ARTICLE (1, 2, 3...) TELS QU'INDIQUÉS DANS CE MODE D'EMPLOI. PAR EXEMPLE, A-1 IDENTIFIE L'ARTICLE 1 DE L'ILLUSTRATION A.

DÉBALLAGE (ILLUSTRATIONS A, B)

⚠ **MISE EN GARDE : Zone de pincement.** Pour éviter de se pincer, garder les doigts hors de la zone entre la poignée et les plaques.

ÉTAPE 1 :

Couper prudemment les coins de la boîte du côté opposé à la poignée, puis rabattre comme dans l'illustration.

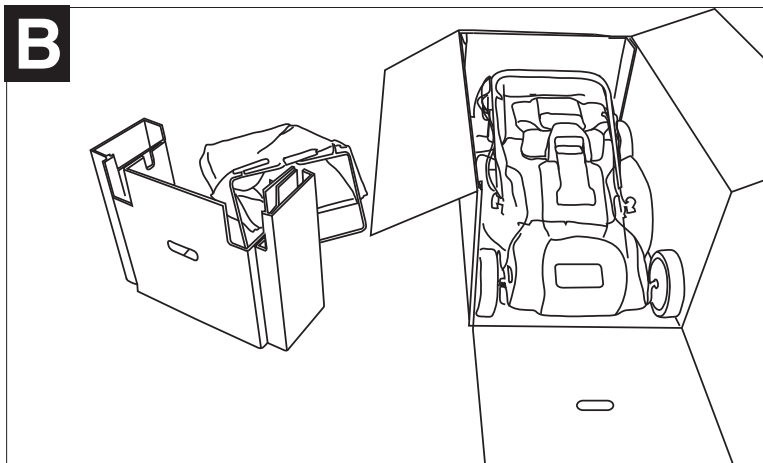
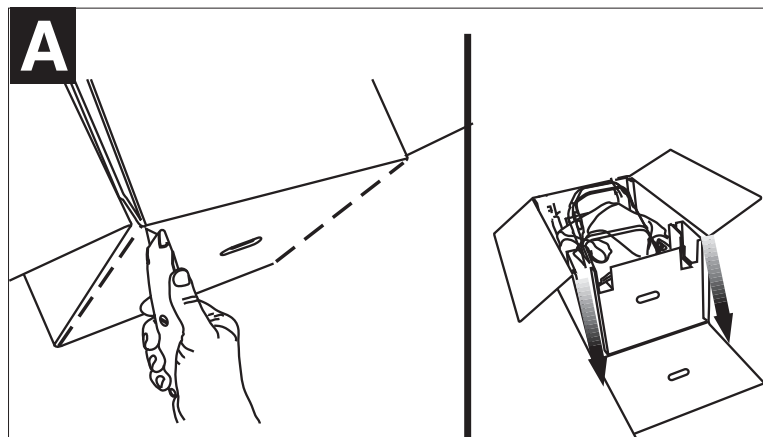
⚠ **AVERTISSEMENT : Lame tranchante.** Éloigner les parties du corps de la lame.

ÉTAPE 2 :

Une fois la boîte coupée et ouverte à son extrémité, retirer le matériau de bourrage, le chargeur, le sac d'accessoires et le sac à gazon, puis sortir la tondeuse en la poussant.

ASSEMBLAGE

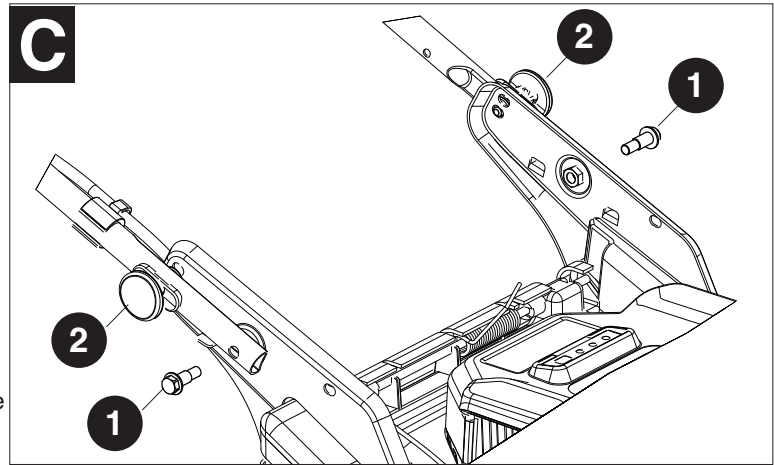
Outils requis pour l'assemblage, non fournis :
Clé à ouverture variable ou de 13 mm (1/2 po).



ENSEMBLE DE POIGNÉE (FIGURE C)

1. Placer la poignée de façon à ce que ses trous s'alignent sur les trous dans la plaque latérale du châssis. Les boutons à réglage rapide de la poignée **C-2** s'alignent sur les trous supérieurs dans la plaque latérale du châssis.
2. Insérer les boulons de fixation de la poignée **C-1** dans les trous de la poignée, puis les visser dans la plaque latérale du châssis. Avant de serrer, répéter l'opération de l'autre côté.
3. Bien serrer les boulons de fixation de la poignée **C-1** à l'aide d'une clé à ouverture variable ou de 13 mm (1/2 po). S'assurer de serrer chaque boulon de manière à bien enfoncer son épaulement contre la plaque.
4. Pour mettre la poignée à la hauteur désirée, se reporter à la section sur le réglage de la poignée. Ne pas pousser ou utiliser la tondeuse sans que la poignée n'y soit solidement fixée.

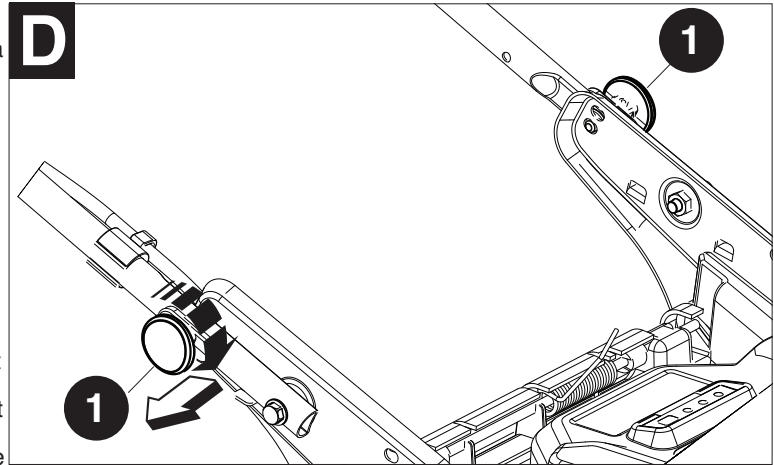
Les boutons à réglage rapide de la poignée **C-2** se présentent comme dans la **figure C** lorsqu'ils sont engagés au complet dans les plaques.
MISE EN GARDE : Zone de pincement. Pour éviter de se pincer lors de l'élévation ou du réglage, garder les doigts hors de la zone entre la poignée et les plaques.



RÉGLAGE DE LA POIGNÉE (FIGURE D)

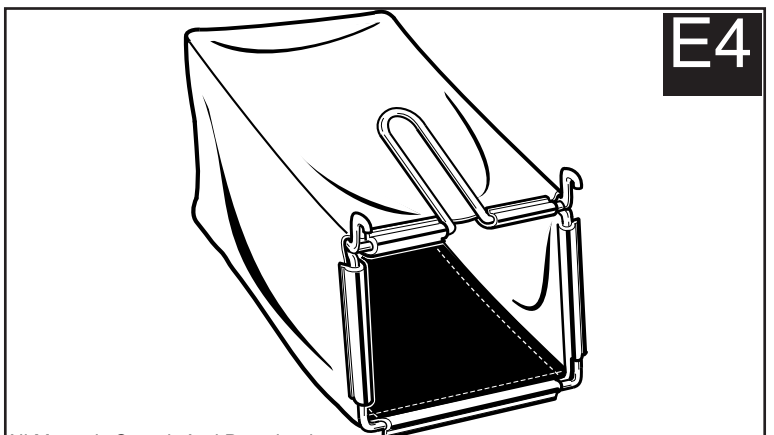
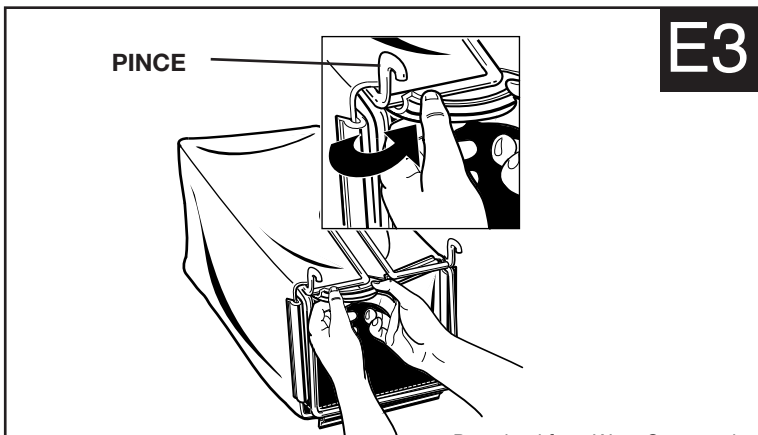
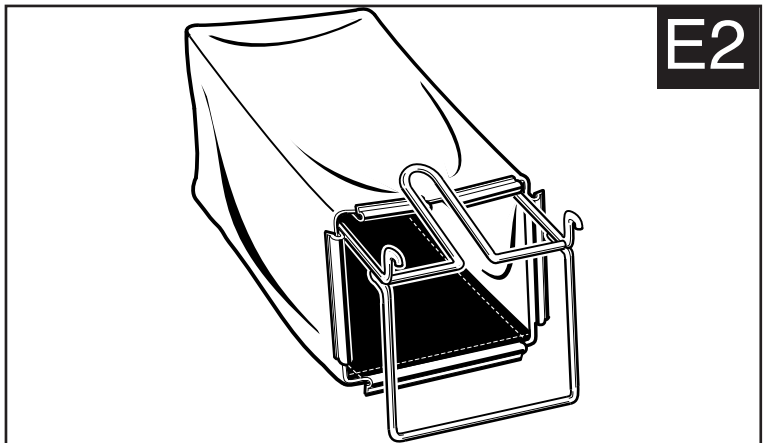
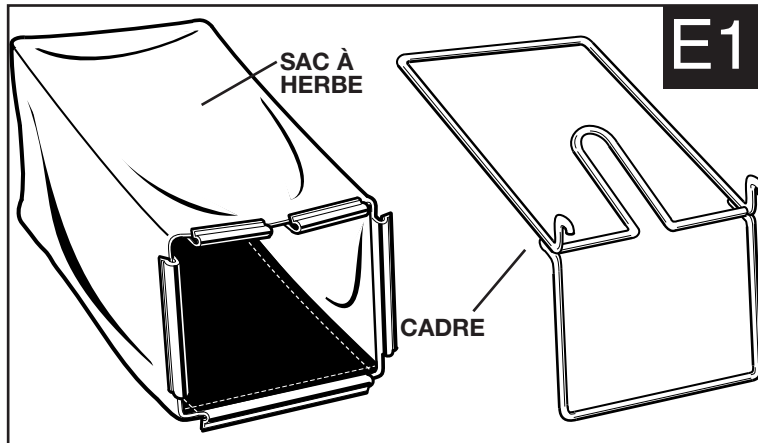
1. Retirer la clé de sûreté.
2. Tenir la poignée d'une main, tirer un bouton à réglage rapide **D-1** sur la poignée de la tondeuse et le tourner d'un quart de tour pour dégager l'ergot du trou de la plaque métallique. Le bouton à réglage rapide de la poignée **D-1** reste en retrait. Répéter avec le bouton du côté opposé. La poignée se déplace maintenant librement en hauteur.
3. Mettre la poignée à la hauteur désirée. Les grands utilisateurs préfèrent utiliser les trous du haut, tandis que les utilisateurs de petite taille préfèrent les trous du bas. En tenant la poignée d'une main, tirer un bouton à réglage rapide de la poignée **D-1** et le tourner d'un quart de tour pour engager de nouveau l'ergot dans le trou de la plaque métallique. Répéter l'opération avec l'autre bouton.
4. Secouer légèrement la poignée pour vérifier que les ergots de la poignée sont tout à fait engagés avant d'utiliser la tondeuse. Ne pas pousser ou utiliser la tondeuse sans que la poignée n'y soit solidement fixée. Les boutons à réglage rapide de la poignée **D-1** se présentent comme dans la **figure D** lorsque leurs ergots sont engagés au complet dans les plaques.

MISE EN GARDE : Zone de pincement. Pour éviter de se pincer lors de l'élévation ou du réglage, garder les doigts hors de la zone entre la poignée et les plaques.



MONTAGE DU COLLECTEUR D'HERBE (ILLUSTRATIONS E1, E2, E3 ET E4)

1. Avant d'assembler le collecteur d'herbe au cadre, vérifier que le collecteur d'herbe et le cadre sont semblables à ceux de l'illustration **E1**.
2. Enfiler le collecteur d'herbe sur le cadre comme indiqué à l'illustration **E2**.
3. Insérer les pinces supérieures sur le cadre comme indiqué à l'illustration **E3**, puis les deux pinces latérales et terminer avec la pince inférieure.
4. Le collecteur d'herbe entièrement assemblé est illustré à l'illustration **E4**.



RÉGLAGE DE LA HAUTEUR DES ROUES (38 MM À 89 MM (1 1/2 PO À 3 1/2 PO)) ILLUSTRATIONS F, G

REMARQUE : certains types de pelouses ou états de la pelouse peuvent demander le réglage de la hauteur du châssis de la tondeuse. L'herbe de pelouses bien établies est souvent endommagée lorsque coupée plus courte que 38 mm (1 1/2 po). Une hauteur de 38 mm à 51 mm (1 1/2 po à 2 po) est préférable pour les pelouses de grande superficie.

1. Avant tout réglage, relâcher l'anse pour éteindre la tondeuse, attendre l'immobilisation de la lame et retirer la clé de sûreté.
2. La tondeuse Black & Decker est dotée d'un système de réglage en un mouvement de la hauteur des roues. Ce système règle les quatre roues en même temps.
3. Pour relever ou abaisser la hauteur de coupe, placer la paume de la main sur l'**appui-paume F-1** et, avec les doigts, presser et maintenir la **prise à doigt F-2** vers le haut.
4. Tout en maintenant la prise à doigt, il est possible de relever ou d'abaisser la hauteur de coupe. La tondeuse dispose de sept réglages de hauteur de lame. Se reporter à l'**échelle G-1** et au **pointeur G-2** situés à l'avant de la tondeuse. Le pointeur indiquera la position de la hauteur pour la coupe de la pelouse. La hauteur indiquée peut alors servir de référence pour la prochaine coupe à la même hauteur. Lorsque la tondeuse est à la hauteur souhaitée, la tenir en place avec la main gauche sur la barre inférieure droite et relâcher la prise à doigt, tenue par la main droite, pour bloquer le réglage de hauteur. Remarque : pour s'assurer que le châssis est correctement bloqué à l'une des sept positions, appuyer sur l'appui-paume d'un mouvement descendant après avoir relâché la prise à doigt.

PILE

⚠ MISE EN GARDE : UTILISER UNIQUEMENT DES PILES DE RECHANGE APPROUVÉES PAR BLACK & DECKER. COMMUNIQUER AVEC LE CENTRE DE RÉPARATION DE VOTRE RÉGION OU COMPOSER LE 1-800-544-6986.

La pile est une pile au plomb étanche de 36 volts. Il n'y a pas de liquide à l'intérieur de la pile. Il est ainsi possible de ranger la tondeuse/la pile dans n'importe quelle position sans risque de fuites.

NOUS RECOMMANDONS DE RECHARGER LA PILE APRÈS USAGE POUR EN PROLONGER LA DURÉE DE VIE. DES CHARGES FRÉQUENTES N'ENDOMMAGERONT PAS VOTRE PILE ET GARANTIRONT UNE PILE À PLEINE CHARGE ET PRÊTE À UTILISER À LA PROCHAINE OCCASION. LA DURÉE DE VIE DES PILES EST ÉCOURTÉE SI ELLES NE SONT PAS RANGÉES À PLEINE CHARGE. SE REPORTER À LA SECTION SUR LE RANGEMENT HORS SAISON.

- Pour optimiser le rendement, maintenir la pile chargée en permanence lorsqu'elle n'est pas utilisée.
- Il convient de charger la pile dans la bonne orientation.
- Il est préférable de charger la pile dans un endroit frais et sec.
- Il n'est pas nécessaire de complètement décharger la pile avant de la recharger.
- Pour obtenir un temps de marche maximal, 2 à 3 cycles de charge initiale seront peut-être nécessaires.
- Une pile à pleine charge se range en toute sécurité jusqu'à la température de -40 °C (-40 °F).
- La pile est sans entretien.
- La CM1936ZF2 peut utiliser le bloc-piles RB3610 ou RB3612 OU RB-3675. Le bloc-piles ne doit servir à rien d'autre.

RETRAIT DE LA PILE DE LA TONDEUSE - ILLUSTRATION H

La pile peut être retirée de la tondeuse en vue du rangement/de la charge ou laissée en place pendant la charge.

Avant de retirer la pile, placer la tondeuse sur un sol nivelé.

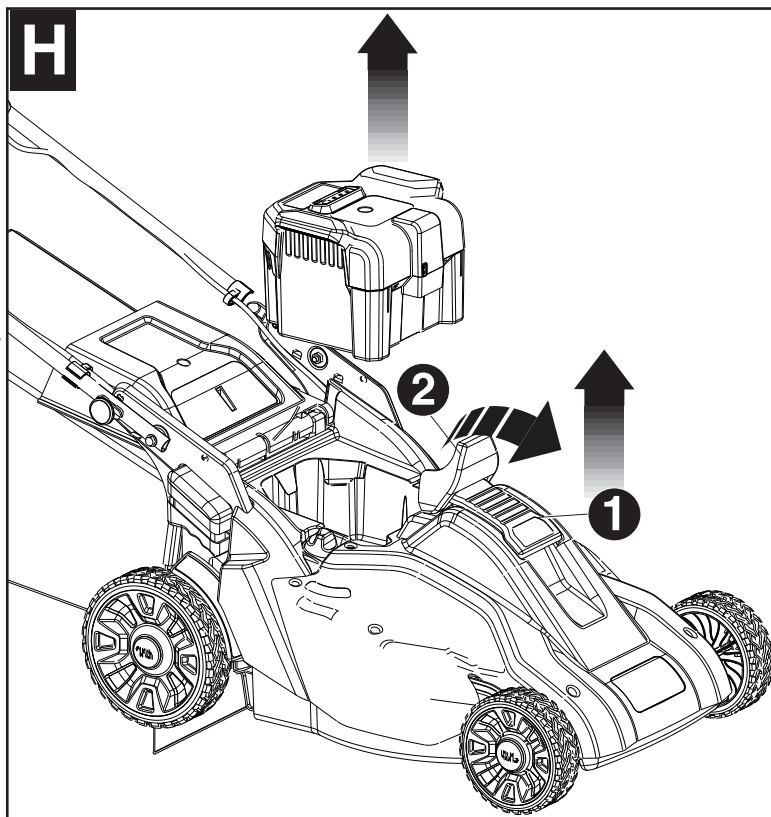
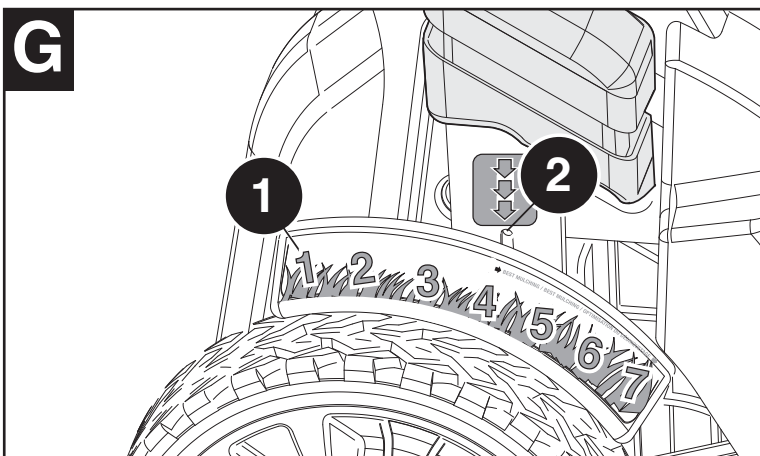
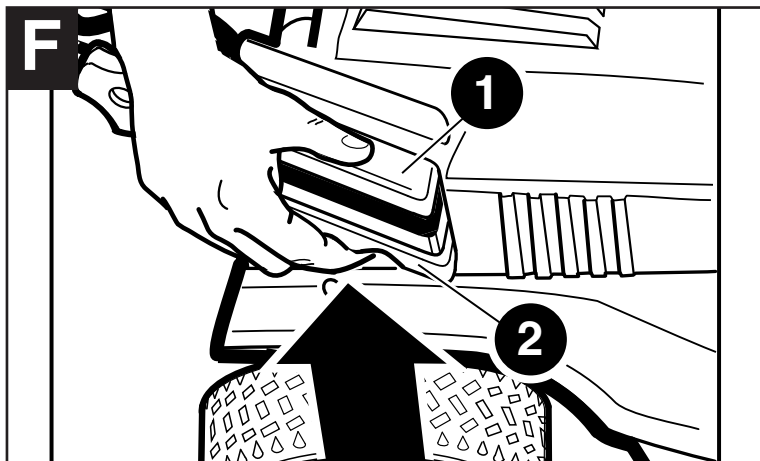
Relâcher l'anse pour éteindre la tondeuse, attendre l'immobilisation de la lame et retirer la clé de sûreté.

Pour retirer la pile, soulever la **manette H-1**, puis la faire tourner en l'écartant du bloc-piles afin de désengager le **loquet H-2**. Soulever le bloc-piles pour l'extraire.

Avant d'installer le bloc-piles, vérifier que la tondeuse est exempte de débris et que la fiche du chargeur est débranchée du bloc-piles.

RÈGLES DE SÉCURITÉ POUR LE CHARGEUR CONSIGNES DE SÉCURITÉ IMPORTANTES

1. **CONSERVER CES DIRECTIVES** : Ce mode d'emploi comprend d'importantes directives de sécurité et d'utilisation pour le modèle de chargeur FC3600.
2. Avant d'utiliser le chargeur, lire toutes les directives et les indications d'avertissement apposées sur le chargeur, le bloc-piles et le produit à pile utilisé.
3. **⚠ MISE EN GARDE** : Pour réduire le risque de blessures, charger seulement les blocs-piles au plomb scellés Black & Decker de 36 V, rechargeables pour les tondeuses. D'autres types de



blocs-piles peuvent exploser, provoquant ainsi des blessures corporelles et des dommages.

4. Brancher le chargeur directement dans une prise électrique. **NE PAS UTILISER LE CORDON D'ALIMENTATION DE FAÇON ABUSIVE.** Ne jamais transporter le chargeur par le cordon. Ne pas tirer sur le cordon pour débrancher le chargeur de la prise, de la tondeuse ou de la pile.
5. Mettre le chargeur sur une surface solide et s'assurer que les événements ne sont pas obstrués.
6. **⚠ AVERTISSEMENT :** pour réduire les risques d'incendie, d'électrocution ou de blessures corporelles, ne pas essayer d'utiliser le chargeur avec tout autre produit. De même, ne pas essayer de charger la pile avec un autre chargeur.
7. Ne pas effectuer de réparations sur la tondeuse avec le chargeur, la clé de sûreté ou le bloc-piles en place.
8. Ne pas faire fonctionner un chargeur endommagé. Remplacer immédiatement tout cordon ou chargeur endommagé dans un centre de réparations Black & Decker autorisé.
9. Toujours recharger la tondeuse dans un endroit sec protégé des intempéries. Protéger la tondeuse, le bloc-piles ou le chargeur de la pluie. Ne pas les recharger dans des endroits humides. Ne pas recharger la pile lorsque la température est supérieure à 40 °C (104 °F) ou inférieure à 5 °C (41 °F). Retirer la pile et charger à l'intérieur s'il fait trop chaud ou trop froid. Charger la pile dans une zone bien aérée.
10. Tenir la tondeuse, la pile et le chargeur à l'écart de sources d'eau, de chaleur (comme les radiateurs, appareils de chauffage, cuisinières, etc.), des flammes ou de produits chimiques. Tenir le cordon du chargeur à l'écart de bords tranchants pour ne pas l'endommager.
11. Avant de réinstaller la pile dans la tondeuse, débrancher la fiche du chargeur de la pile pour éviter tout dommage.

⚠ AVERTISSEMENT : RISQUE D'INCENDIE

DÉBRANCHER SYSTÉMATIQUEMENT LE CHARGEUR DE LA SOURCE D'ALIMENTATION (PRISE MURALE) AVANT DE RETIRER LE CONNECTEUR DU CHARGEUR. SOUS CERTAINES CONDITIONS, AVEC LE CHARGEUR BRANCHÉ À LA SOURCE D'ALIMENTATION, LE CONNECTEUR EXPOSÉ PEUT ÊTRE COURT-CIRCUITÉ PAR UN CORPS ÉTRANGER ET PEUT PROVOQUER UN INCENDIE. TOUT CORPS ÉTRANGER CONDUCTEUR, TEL QUE, MAIS SANS EN EXCLURE D'AUTRES, LA LAINE D'ACIER, LE PAPIER D'ALUMINIUM OU TOUTE ACCUMULATION DE PARTICULES MÉTALLIQUES, DOIT ÊTRE MAINTENU À DISTANCE DU CONNECTEUR. TOUJOURS DÉBRANCHER LE CHARGEUR AVANT TOUTE TENTATIVE DE NETTOYAGE.

PROCÉDURE DE CHARGE - ILLUSTRATIONS I, J

1. Pour charger la tondeuse, retirer d'abord le bloc-piles de la tondeuse.
2. Aligner la **fiche I-1** du chargeur sur la flèche au sommet, puis insérer la fiche dans la **prise I-2** du bloc-piles (borne bleue reliée à la borne bleue et borne blanche reliée à la borne blanche). Le connecteur du chargeur ne se branche dans le bloc-piles que dans un sens.

3. On peut choisir entre 2 taux de charge au moment de charger le bloc-piles. Par défaut, le chargeur sera réglé au taux de charge « normal » ou ordinaire.

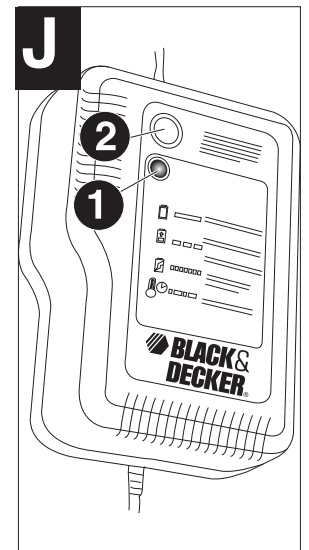
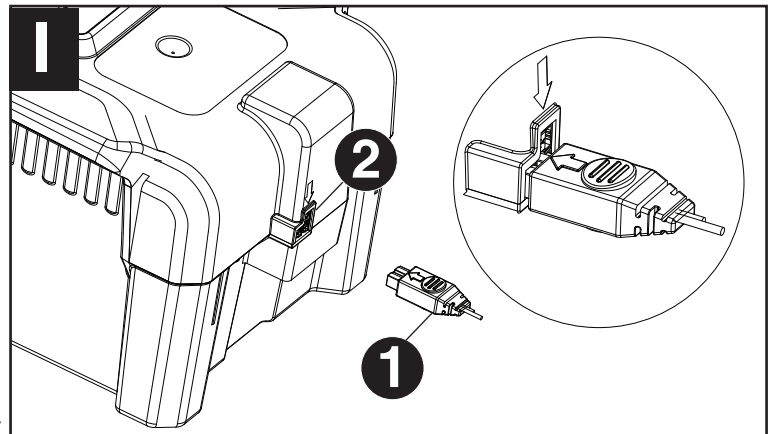
TAUX DE CHARGE NORMAL – Dans ce mode, le **voyant rouge J-1** du chargeur devrait s'allumer pour indiquer la présence de puissance et la mise sous charge du bloc-piles. Examiner le voyant rouge du chargeur; s'il n'est pas allumé, s'assurer que le connecteur du chargeur est bien aligné (étape 2). Le voyant rouge devrait s'éteindre et le **voyant vert J-1** s'allumer une fois la charge complète (il faut environ 12 heures pour charger une tondeuse dont le bloc-piles est complètement à plat).

TAUX DE CHARGE RAPIDE - REMARQUE : Le mode de charge rapide est activé uniquement si le **bouton J-2** de charge rapide est enfoncé. Utiliser ce mode uniquement lorsque c'est nécessaire pour mieux accomplir le travail.

Lorsque ce mode est activé, le **voyant rouge J-1** clignote, indiquant ainsi que le bloc-piles est chargé à un taux plus rapide. Après une période de 30 minutes, le cycle initial de charge rapide est terminé et environ 80 % de la charge complète est disponible. Le voyant passera au vert et clignotera.

Après environ 3 heures de charge rapide, le bloc-piles sera pleinement chargé; le voyant passera au vert et demeurera dans cet état, indiquant ainsi un mode d'entretien.

4. En saison de tonte fréquente des pelouses, on recommande de laisser la pile en charge permanente (entre les utilisations de la tondeuse) pour optimiser le rendement.



FONCTIONNEMENT

CONNAÎTRE SA TONDEUSE

LIRE LE MODE D'EMPLOI ET LES RÈGLES DE SÉCURITÉ AVANT DE FAIRE FONCTIONNER LA TONDEUSE. Consulter la « Description fonctionnelle » pour se familiariser avec l'emplacement des divers réglages et commandes. Conserver ce mode d'emploi pour un usage ultérieur.

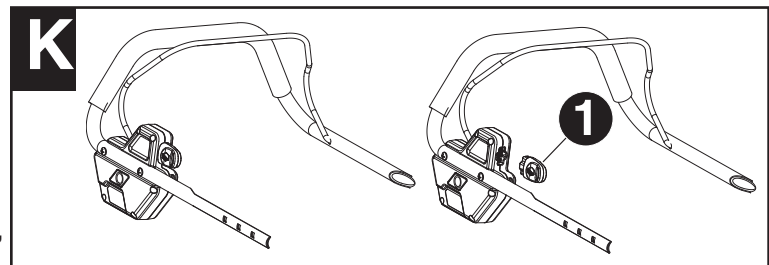
CLÉ DE SÛRETÉ

⚠ DANGER : LAME TRANCHANTE EN MOUVEMENT.

Pour prévenir tout démarrage intempestif ou une utilisation non autorisée de la tondeuse sans fil, une **clé de sûreté K-1** a été intégrée dans la conception de la tondeuse. La tondeuse sera complètement désactivée dès le retrait de la clé de sûreté.

REMARQUE : LA CLÉ DE SÛRETÉ COMPORTE UN TROU AU CENTRE POUR PERMETTRE SON RANGEMENT SUR UN CLOU, HORS DE LA PORTÉE DES ENFANTS. NE PAS ATTACHER LA CLÉ DE SÛRETÉ À LA TONDEUSE.

⚠ DANGER : DES LAMES EN MOUVEMENT (ROTATION) RISQUENT DE PROVOQUER DE GRAVES BLESSURES. POUR PRÉVENIR DE GRAVES BLESSURES, RETIRER LA CLÉ DE SÛRETÉ LORSQUE LA TONDEUSE EST SANS SURVEILLANCE OU LORS DE LA CHARGE, DU NETTOYAGE, DES RÉPARATIONS, DU TRANSPORT, DU SOULÈVEMENT OU DU RANGEMENT.



DÉMARRAGE DE LA TONDEUSE

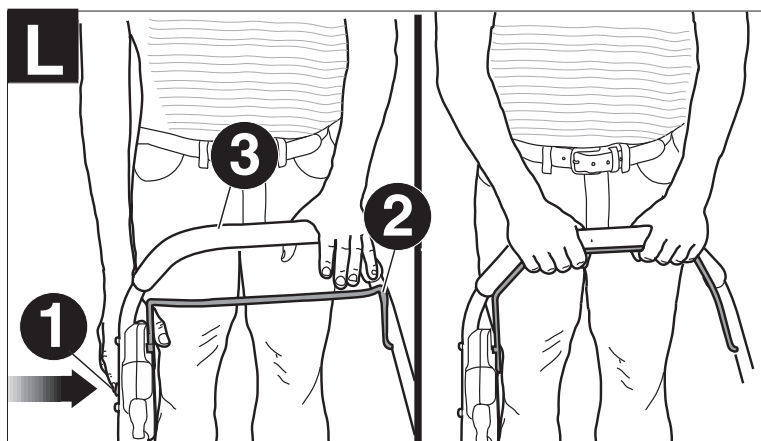
Insérer la **clé de sûreté L-1** dans le contact, l'enfoncer jusqu'à ce qu'elle soit complètement rentrée dans celui-ci. La tondeuse est maintenant opérationnelle. La faire démarrer en actionnant la **manette du manocontacteur L-2**.

⚠ DANGER : LAME TRCHANANTE EN MOUVEMENT. NE JAMAIS ESSAYER DE NEUTRALISER LE FONCTIONNEMENT DU SYSTÈME DE CONTACT ET DE CLÉ DE SÛRETÉ. EN EFFET, UNE TELLE PRATIQUE POURRAIT SE SOLDER PAR DE GRAVES BLESSURES.

INTERRUPTEUR DE MARCHE/ARRÊT (ANSE) - ILLUSTRATION L

La tondeuse est dotée d'un système spécial d'interrupteur de marche/arrêt. Pour actionner le système, appuyer d'abord sur le **bouton L-1** sur le côté du contact, puis tirer l'anse (**manette du manocontacteur L-2**) vers le **guidon L-3**. Pour arrêter la tondeuse, relâcher simplement l'anse.

Une fois l'anse en position de départ, elle actionne le « mécanisme de freinage automatique ». Le moteur est alors freiné électriquement et la lame de la tondeuse s'immobilisera en trois (3) secondes ou moins.



SURCHARGE DE LA TONDEUSE

Pour éviter les dommages attribuables à une surcharge, ne pas essayer de couper trop d'herbe à la fois. Ralentir la tonte ou augmenter la hauteur de coupe.

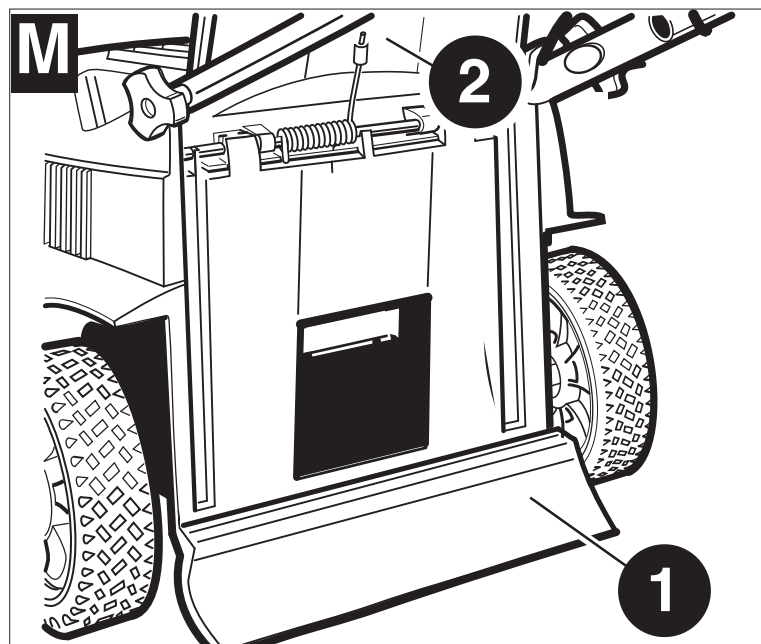
CONFORME AUX NORMES DE SÉCURITÉ DE LA CPSC

Les tondeuses Black & Decker sont conformes aux normes de sécurité de l'American National Standards Institute et de la Consumer Product Safety Commission (Commission de surveillance des produits de consommation) des États-Unis. La lame se déplace lorsque le moteur fonctionne.

ÉCRAN PROTECTEUR ET PANNEAU ARRIÈRE - ILLUSTRATION M

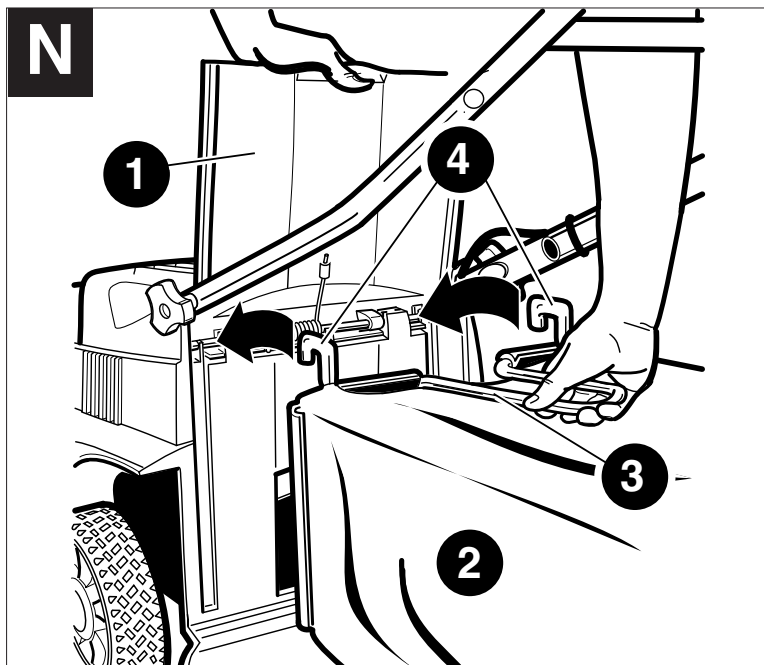
L'**écran protecteur M-1** est conçu pour minimiser la projection arrière par la lame de la tondeuse, de pierres ou autres objets provenant de sous le châssis. L'écran protecteur de même que le **panneau arrière M-2** réduisent la possibilité d'un contact accidentel d'un pied avec la lame. **NE PAS** utiliser la tondeuse sans l'écran protecteur et le panneau arrière en position.

⚠ DANGER: Lame mobile tranchante. Ne pas utiliser la tondeuse si le panneau arrière ne se referme pas sous la tension du ressort. Une telle pratique pourrait entraîner de graves blessures. Confier la réparation de la tondeuse au centre de réparations le plus proche.



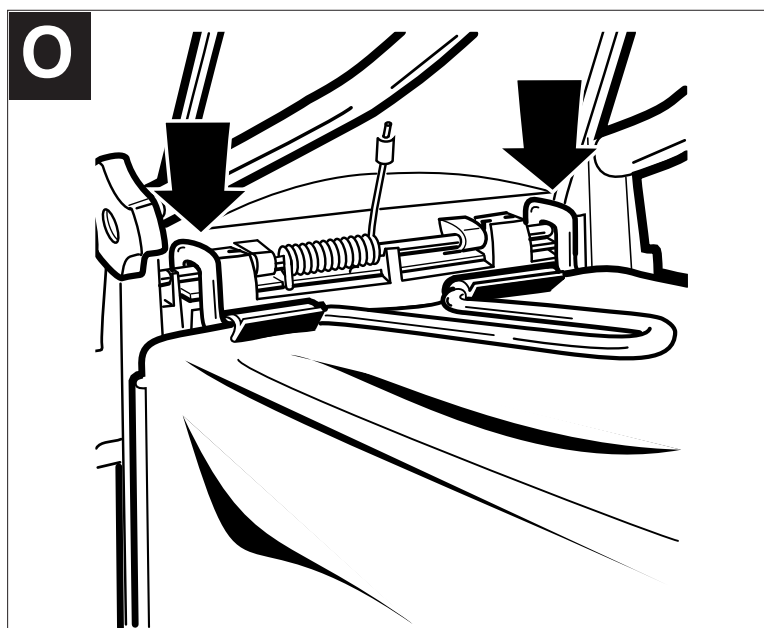
INSTALLATION DU COLLECTEUR D'HERBE - FIGURES N, O

1. Relâcher l'anse pour éteindre la tondeuse, attendre que la lame s'immobilise, puis retirer la clé de sûreté.
2. Se pencher entre les poignées de la tondeuse, relever le **panneau d'éjection arrière N-1** en position verticale et le tenir en position haute. S'assurer que la **pièce de déchiquetage N-3** a bien été retirée.
3. Saisir le **collecteur d'herbe N-2** par la **poignée N-3** et le placer entre les poignées de la tondeuse comme dans l'illustration.



4. Insérer les **crochets de suspension N-4** du collecteur d'herbe sur la tondeuse comme l'indique la **figure O**. Relâcher le panneau d'éjection arrière.

⚠ DANGER : Lame mobile tranchante. Ne jamais utiliser la tondeuse à moins que les crochets de suspension du collecteur d'herbe ne soient solidement fixés à la tondeuse et que le panneau d'éjection arrière ne repose fermement contre la partie supérieure du collecteur d'herbe pour éviter toute blessure grave.



« SÉLECTION DE MODE »

Certaines tondeuses offrent la fonction de sélection de mode, qui permet de commuter entre le déchiquetage, l'ensachage ou l'éjection en tournant un bouton.

Relâcher l'anse pour éteindre la tondeuse et attendre l'immobilisation complète de la lame.
Retirer ensuite la clé de sûreté.

Mode d'éjection :

1. Retirer le collecteur d'herbe.
2. S'assurer que le panneau d'éjection arrière repose fermement sur le châssis.
3. Appuyer sur le bouton de sélection de mode et le tourner pour l'aligner avec le mot « **DISCHARGE** » P-1 (voir la figure P).

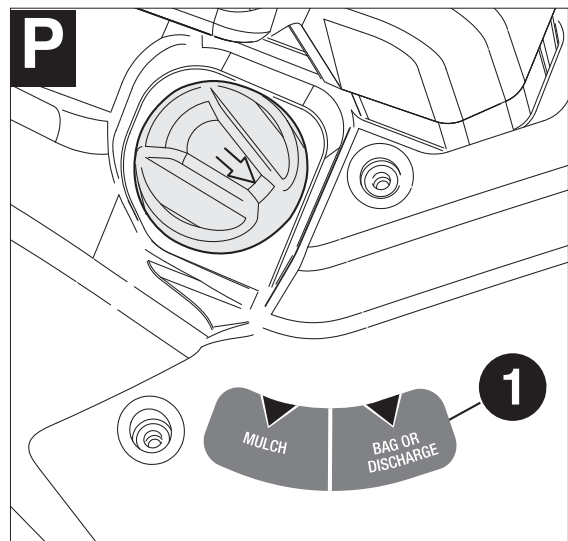
La tondeuse est maintenant en mode d'éjection arrière. L'herbe coupée sera déposée sous la bouche de sortie fermée, sur la pelouse.

Mode d'ensachage :

1. Installer le collecteur d'herbe.
2. S'assurer que le panneau d'éjection arrière repose fermement contre la partie supérieure du collecteur d'herbe.
3. Appuyer sur le bouton de sélection de mode et le tourner pour l'aligner avec le mot « **BAG** » P-1 (voir la figure P).

La tondeuse est maintenant en mode d'ensachage.

Remarque : Pour passer au mode d'éjection arrière, il suffit alors de retirer le collecteur d'herbe.

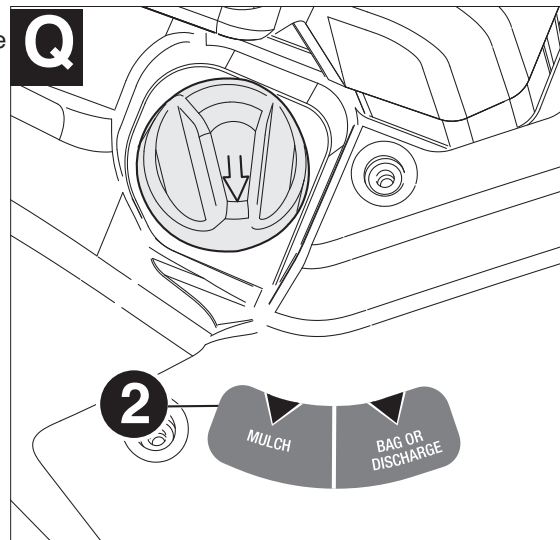


Mode de déchetage :

1. Pour passer au mode de déchetage, appuyer sur le bouton de sélection de mode et le tourner pour l'aligner avec le mot « **MULCH** » **Q-2** (voir la figure Q). **La tondeuse est maintenant en mode de déchetage.**

Remarque : S'il devient difficile de tourner le bouton de sélection de mode, la goulotte du châssis a peut-être besoin d'être nettoyée.

1. Relâcher l'anse pour éteindre la tondeuse et attendre l'immobilisation complète de la lame. Retirer ensuite la clé de sûreté et le bloc-piles.
2. Tenir le panneau d'éjection arrière ouvert et nettoyer tous débris éventuels dans la goulotte du châssis. Nettoyer aussi le dessous du châssis au besoin.



CONSEILS POUR TONDRE LA PELOUSE

REMARQUE : TOUJOURS INSPECTER LA SURFACE À TONDRE ET RETIRER TOUTE PIERRE, BÂTON, FIL, OS ET AUTRES DÉBRIS QUI POURRAIENT ÊTRE PROJETÉS PAR LA LAME EN ROTATION.

1. Tondre les pentes en diagonale, jamais de haut en bas. Être extrêmement prudent lors des virages sur les pentes. Ne pas tondre les pentes excessivement inclinées. Toujours maintenir un bon équilibre.
2. Relâcher l'anse pour éteindre la tondeuse avant de traverser toute surface gravelée (des pierres risquent d'être projetées par la lame).
3. Régler la tondeuse à la hauteur maximale de coupe lorsque la tondeuse est utilisée sur un sol inégal ou sur de grandes broussailles. La coupe d'une trop grande quantité d'herbe en un passage peut surcharger le moteur et l'arrêter. Se reporter au guide de dépannage.
4. Lors de l'utilisation du collecteur d'herbe en haute saison, l'herbe tend à encrasser l'ouverture de la décharge. Relâcher l'anse pour éteindre la tondeuse, puis retirer la clé de sûreté. Retirer le collecteur d'herbe et secouer l'herbe vers l'autre extrémité du bac. Nettoyer également l'herbe ou les débris qui pourraient s'accumuler autour de l'ouverture de la décharge. Remettre le collecteur d'herbe en place.
5. Si la tondeuse commence à vibrer de façon anormale, relâcher l'anse pour éteindre la tondeuse et retirer la clé de sûreté. Rechercher immédiatement la cause de cette vibration. Une vibration signale un problème. Ne pas utiliser la tondeuse sans avoir préalablement fait inspecter la tondeuse. Se reporter au guide de dépannage du mode d'emploi.
6. **TOUJOURS RELÂCHER L'ANSE POUR ÉTEINDRE LA TONDEUSE ET RETIRER LA CLÉ DE SÛRETÉ LORSQU'ELLE EST LAISSÉE SANS SURVEILLANCE MÊME POUR UNE COURTE DURÉE.**

POUR MAXIMISER LE TEMPS DE MARCHÉ DE LA TONDEUSE SANS FIL, PROCÉDER COMME SUIT :

1. Ralentir dans les zones où l'herbe est particulièrement haute ou dense.
2. Lors du déchetage, éviter à tout moment de couper de l'herbe dont la hauteur dépasse 38 mm (1 1/2 po).
3. Éviter de tondre la pelouse lorsque l'herbe est mouillée par la pluie ou la rosée.
4. Tondre la pelouse fréquemment, particulièrement dans les périodes de forte pousse.

REMARQUE : NOUS RECOMMANDONS DE RECHARGER LA TONDEUSE APRÈS USAGE POUR PROLONGER LA DURÉE DE VIE DE LA PILE. DES CHARGES FRÉQUENTES N'ENDOMMAGERONT PAS VOTRE PILE ET GARANTIRONT UNE PILE À PLEINE CHARGE ET PRÊTE À UTILISER À LA PROCHAINE OCCASION. LA DURÉE DE VIE DES PILES EST ÉCOURTÉE SI ELLES NE SONT PAS RANGÉES À PLEINE CHARGE.

CONSEILS POUR LE DÉCHQUETAGE

La tondeuse Black & Decker est expédiée de l'usine avec la pièce de déchetage en place si elle n'est pas munie de la sélection de mode. Lors du déchetage, la nouvelle tondeuse est conçue pour couper l'herbe en la coupant en petits morceaux et en la redistribuant sur la pelouse. Dans des conditions normales, l'herbe déchetée se désintègre rapidement pour fournir des éléments nutritifs à la pelouse. Étudier les recommandations suivantes pour optimiser le rendement du déchetage.

1. Éviter de tondre la pelouse lorsque l'herbe est mouillée par la pluie ou la rosée. L'herbe mouillée pourrait former des mottes qui interfèrent avec le déchetage et réduisent la durée d'exécution. Le meilleur moment pour tondre la pelouse est la fin de l'après-midi lorsque l'herbe est sèche et que la surface fraîchement coupée n'est pas exposée directement au soleil.
2. Pour optimiser le rendement du déchetage, régler la hauteur pour couper environ un tiers de la longueur de la lame; idéalement, pas plus de 38 mm (1 1/2 po) lors d'un seul passage. Si votre herbe est très haute, il vous faudra peut-être augmenter la hauteur de coupe pour réduire l'effet de poussée et éviter la surcharge du moteur. Tondre lentement l'herbe haute ou épaisse. Pour un déchetage très intensif, il est recommandé de couper d'abord à un réglage élevé puis de couper une seconde fois à la hauteur de coupe finale. Si non, couper des rangées plus étroites et lentement. **TOUJOURS S'ASSURER QUE LA LAME EST AFFÛTÉE.**
3. Pour un meilleur rendement, éliminer toute accumulation d'herbe dans le châssis. De temps en temps, relâcher l'anse pour éteindre la tondeuse et attendre l'immobilisation complète de la lame. Retirer ensuite la clé de sûreté et le bloc-piles et placer la tondeuse sur son côté. À l'aide d'un objet tel qu'un bâton, dégager toute accumulation d'herbe aux alentours de la lame. Faire attention aux arêtes tranchantes de la lame. Nettoyer souvent la lame dans des conditions d'herbe mouillée ou de coupe printanière. Toujours la nettoyer après chaque utilisation.

4. Certains types de pelouse ou de conditions pourraient exiger qu'une surface soit déchiquetée une seconde fois pour bien disperser l'herbe sur la pelouse. Lors d'un second passage, il est recommandé de couper perpendiculairement (en travers) au sens de coupe du premier passage. **NE CHANGER EN AUCUN CAS LE SENS DE LA COUPE SI CELUI-CI DEVRAIT SUIVRE LA PENTE DESCENDANTE.**

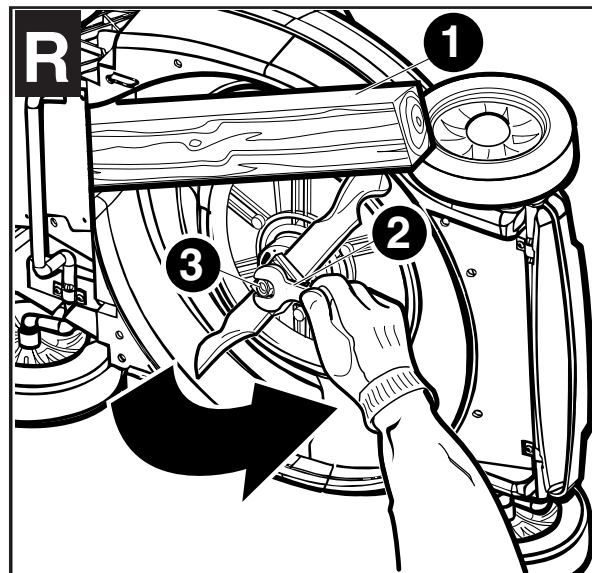
5. Changer le sens de coupe chaque semaine. Ceci permettra d'éviter le lignage de la pelouse.

ENTRETIEN

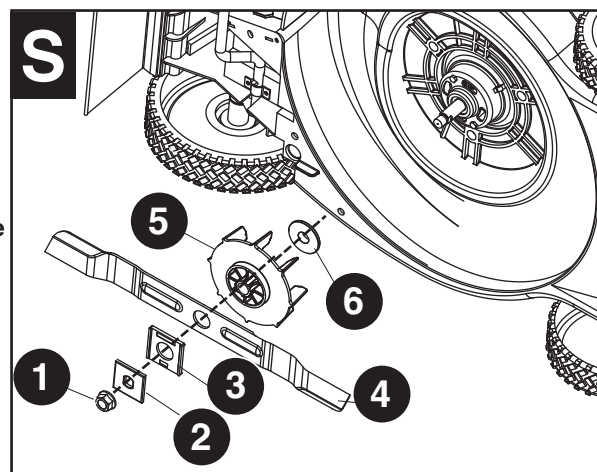
IMPORTANT : pour garantir la **SÉCURITÉ** et la **FIABILITÉ** du produit, les réparations, l'entretien et le réglage (y compris l'inspection et le remplacement du balai) doivent être réalisés par un centre de réparation **BLACK & DECKER** ou tout autre centre de réparation professionnel, et des pièces de rechange Black & Decker doivent toujours être utilisées. En cas de réparation, utiliser **UNIQUEMENT DES PIÈCES DE RECHANGE IDENTIQUES.**

RETRAIT ET INSTALLATION DE LA LAME - ILLUSTRATION R

1. RELÂCHER L'ANSE POUR ÉTEINDRE LA TONDEUSE, ATTENDRE QUE LA LAME S'IMMOBILISE ET RETIRER LA CLÉ DE SÛRETÉ ET LE BLOC-PILES.
2. Utiliser un morceau de bois de **2x4 R-1** (environ 2 pieds de longueur) (610 mm) pour empêcher la lame de tourner lors du retrait de l'écrou à embase.
3. Placer la tondeuse sur son côté. Porter des gants et des lunettes de protection appropriées. Faire attention aux arêtes tranchantes de la lame. Placer le morceau de bois **R-1** et enlever l'écrou à embase **R-3** avec une clé **R-2** de 19 mm (3/4 po) comme dans l'illustration **R**.



4. Enlever la cale métallique carrée de la lame **S-2**, l'isolant en plastique carré de la lame **S-3** et la lame **S-4** comme dans l'illustration **S**. Examiner les défauts de l'isolant de la lame et le remplacer si nécessaire.
5. Lors du remplacement d'une lame aiguisée ou neuve sur l'épaule du ventilateur **S-5**, s'assurer que le « CÔTÉ GAZON » de la lame se trouve face au sol lorsque la tondeuse retrouve sa position verticale normale. Après l'installation de la lame **S-4**, placer l'isolant en plastique de la lame **S-3** sur la lame de sorte que les bordures élevées sur un côté s'emboîtent dans les bords de la lame. Installer ensuite la cale de la lame **S-2** afin qu'elle demeure à l'intérieur des bordures élevées de l'autre côté de l'isolant de la lame. S'assurer de bien aligner les méplats dans le trou de la cale de la lame avec les méplats de l'arbre, en tournant ensemble la lame et l'isolant de la lame comme indiqué.



6. Positionner un morceau de bois **T-1** pour empêcher la lame de tourner comme l'indique l'illustration **T**. Poser les écrous à embase avec la bride contre la cale de la lame et visser fermement.

AFFÛTAGE DE LA LAME

MAINTENIR LA LAME AIGUISÉE POUR OPTIMISER LE RENDEMENT DE LA TONDEUSE. UNE LAME ÉMOUSSÉE NE COUPE PAS NETTEMENT ET NE DÉCHIQUE PAS CORRECTEMENT.

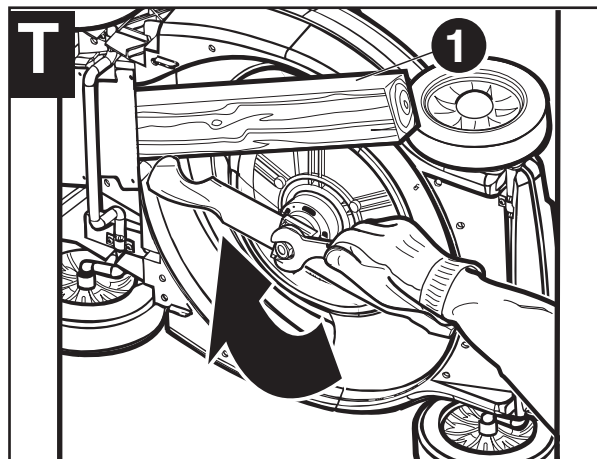
UTILISER UNE PROTECTION OCULAIRE ADÉQUATE LORS DU RETRAIT, DE L'AFFÛTAGE ET DE L'INSTALLATION DE LA LAME. S'ASSURER QUE LA CLÉ DE SÛRETÉ ET LE BLOC-PILES SONT RETIRÉS.

Deux affûtages par saison sont normalement suffisants dans des conditions normales. Le sable émousse rapidement la lame. Si la pelouse pousse sur un sol sablonneux, des affûtages plus fréquents seront nécessaires.

REEMPLACER IMMÉDIATEMENT UNE LAME TORDUE OU ENDOMMAGÉE.

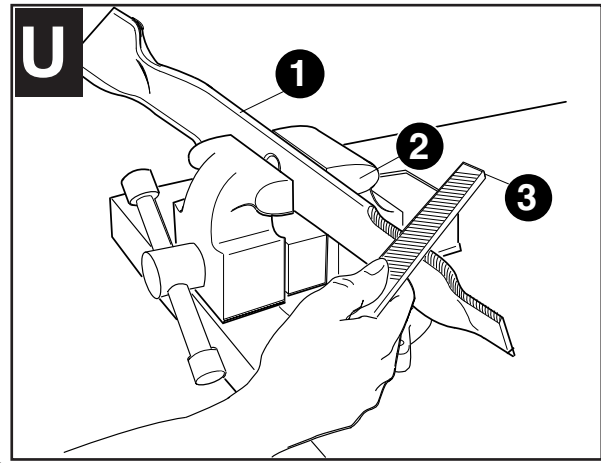
LORS DE L'AFFÛTAGE DE LA LAME :

1. S'assurer que la lame reste équilibrée.
2. Affûter la lame suivant l'angle de coupe d'origine.
3. Affûter les arêtes coupantes des deux extrémités de la lame, retirer la même quantité de matière aux deux extrémités.



AFFÛTAGE DE LA LAME DANS UN ÉTAU :

1. S'assurer que l'anse est dégagée et la lame complètement immobile. Retirer la clé de sûreté et le bloc-piles avant de retirer la lame.
2. Retirer la lame de la tondeuse. Consulter les instructions pour retirer et installer la lame.
3. Fixer solidement la **lame U-1** dans un **étau U-2**.
4. Porter des lunettes de protection et des gants appropriés et faire attention de ne pas vous couper.
5. Limer soigneusement les arêtes coupantes de la lame avec une lime à **dents fines U-3** ou une pierre à affûter en conservant l'angle original de l'arête.
6. Vérifier l'équilibre de la lame. Consulter les directives pour équilibrer la lame.
7. Remettre la lame de la tondeuse et serrer solidement.



ÉQUILIBRAGE DE LA LAME

Vérifier l'équilibre de la lame en enfilant le trou central de la **lame V-1** sur un clou ou un tournevis à **tige ronde V-2**, fixé horizontalement dans un **étau V-3**. Si l'une des extrémités de la lame pivote vers le bas, la limer. La lame est correctement en équilibre quand aucune extrémité ne penche vers le bas.

LUBRICATION

Aucun graissage n'est nécessaire. Ne pas huiler les roues. Elles comportent des surfaces d'appui en plastique qui n'exige aucun graissage.

NETTOYAGE

Relâcher l'anse pour éteindre la tondeuse, attendre que la lame s'immobilise puis retirer la clé de sûreté et le bloc-piles. Utiliser seulement un détergent doux et un chiffon humide pour nettoyer la tondeuse. Nettoyer toute trace d'herbe coupée qui se serait accumulée sous le châssis et dans la goulotte d'éjection. Après plusieurs utilisations, inspecter toute la quincaillerie exposée et serrer au besoin. Bien garder le logement et les bornes du bloc-piles de la tondeuse exempts de débris.

PRÉVENTION DE LA CORROSION

Les engrais et autres produits chimiques de jardin renferment des agents qui accélèrent la corrosion du métal. Si l'aire à tondre a reçu un épandage d'engrais ou de produits chimiques, nettoyer immédiatement la tondeuse après son utilisation comme suit : (1) relâcher l'anse pour éteindre la tondeuse et retirer la clé de sûreté et le bloc-piles. (2) Essuyer toutes les pièces exposées avec un chiffon humide.

⚠ MISE EN GARDE : NE PAS VERSER NI PULVÉRISER D'EAU SUR LA TONDEUSE POUR LA NETTOYER.

Ne pas ranger l'outil sur des engrais ou des produits chimiques ou à proximité de ceux-ci. Un tel rangement risque de provoquer une corrosion rapide.

TRANSPORT ET RANGEMENT

⚠ DANGER : des lames en mouvement (rotation) risquent de provoquer de graves blessures. Relâcher l'anse pour éteindre la tondeuse et retirer la clé de sûreté avant de soulever, de transporter ou de ranger la tondeuse. La ranger dans un endroit sec. Remarque : la tondeuse n'est pas aussi lourde une fois le bloc-piles enlevé. Ne pas soulever la tondeuse par le verrou. Ne pas soulever la tondeuse par les poignées du bloc-piles.

⚠ AVERTISSEMENT : Ne pas soulever la tondeuse par la poignée lors du rangement. Il faut la saisir par les plaques latérales en métal et le châssis.

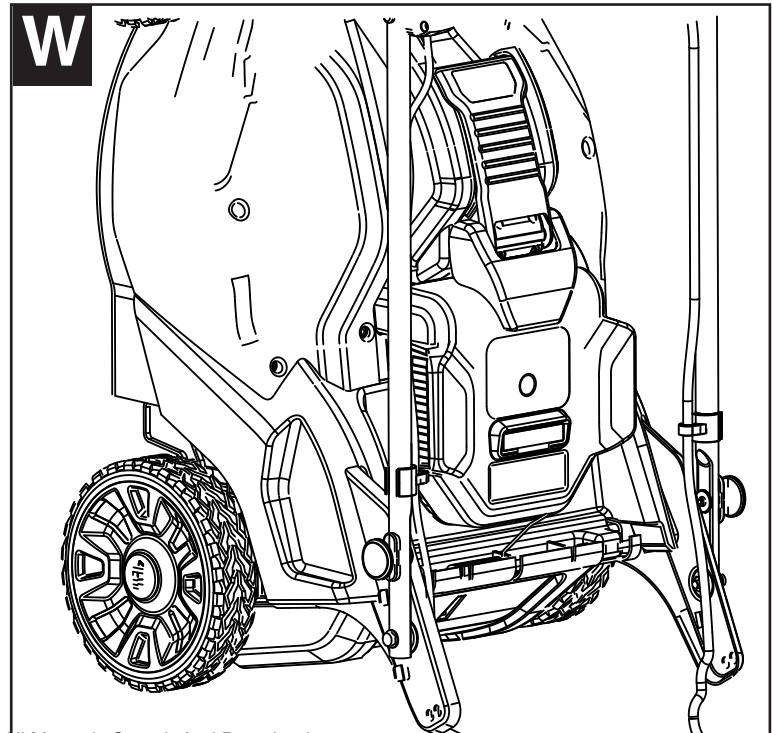
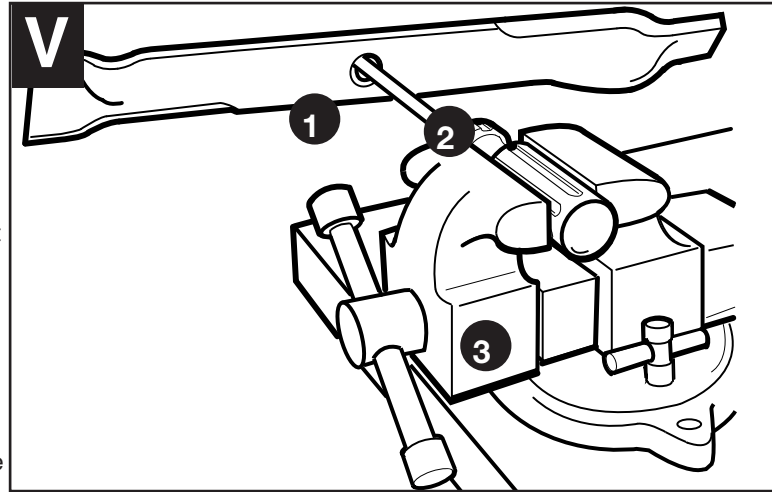
POSITION DE RANGEMENT

Pour économiser de l'espace, la tondeuse se range en position verticale, la poignée étant repliée comme le montre la **figure W**. La tondeuse peut aussi être chargée en position verticale.

Pour mettre la tondeuse dans une position de rangement pratique :

1. Retirer la clé de sûreté.
2. Tenir la poignée d'une main, tirer un bouton à réglage rapide sur la poignée de la tondeuse et le tourner d'un quart de tour pour dégager l'ergot du trou de la plaque métallique. Le bouton à réglage rapide de la poignée reste en retrait. Répéter avec le bouton à réglage rapide de la poignée du côté opposé. La poignée se déplace maintenant librement en hauteur.
3. Faire pivoter la poignée vers l'avant, sur le devant de la tondeuse.
4. Tirer les boutons à réglage rapide de la poignée et les tourner d'un quart de tour pour engager de nouveau les ergots dans les trous des plaques métalliques. Secouer légèrement la poignée pour vérifier que les ergots de la poignée sont tout à fait engagés dans les plaques métalliques.
5. La tondeuse peut maintenant être retournée sur ses roues arrière comme l'illustre la **figure W**.
6. Prendre soin de ne pas pincer le cordon d'alimentation en pliant ou en dépliant la poignée.

MISE EN GARDE : Si la poignée n'est pas verrouillée lors d'un rangement en position verticale, elle risque de tomber et de causer des blessures ou des dommages. Placer le côté de la lame contre un mur vertical.



MISE EN GARDE : point de pincement. Pour éviter de se pincer en abaissant les poignées, garder les doigts hors de la zone entre elles.

RANGEMENT HORS SAISON

1. Pour optimiser le rendement dans les climats chauds, il est recommandé de conserver la pile chargée en permanence.
2. Il est possible de ranger la tondeuse avec le chargeur débranché si toutes les conditions suivantes sont réunies;
 - la pile est à pleine charge avant le rangement. (La durée de vie des piles est écourtée si elles ne sont pas rangées à pleine charge.)
 - la température moyenne du local de rangement est inférieure à 10 °C (50 °F).
 - la durée du rangement est de moins de six (6) mois.

ENTRETIEN ET INSTALLATION DE LA PILE

Il est recommandé de confier tout entretien ou toute réparation à un centre de réparation Black & Decker autorisé.

Lors de la réparation ou du remplacement des piles, prendre note des faits suivants :

- N'utiliser que le type et la grosseur de pile d'origine.
- Ne pas jeter les piles dans les flammes. La cellule peut exploser. Voir les renseignements ci-dessous sur le recyclage des piles rechargeables.
- Ne pas ouvrir ni altérer le bloc-piles. L'électrolyte libéré est corrosif et peut endommager les yeux et la peau. Il peut être toxique si avalé.
- Prendre garde en manipulant les piles afin de ne pas provoquer le court-circuit entre les piles et des objets conducteurs, comme des bagues, des bracelets et des clés. La pile ou le conducteur peut surchauffer et causer des brûlures.

LE SCEAU SRPRC^{MC} (RECYCLAGE DES PILES RECHARGEABLES)

Le sceau SRPRC^{MC} (Société de recyclage des piles rechargeables au Canada) sur la pile au plomb (ou sur le bloc-piles) indique que le coût de recyclage de cette pile (ou de ce bloc-piles) à la fin de sa vie utile a été payé par Black & Decker. Dans certaines régions, il est illégal de jeter les piles au plomb déchargées dans les poubelles ou dans le système municipal de cueillette des résidus solides. Le programme de la SRPRC représente donc une solution de rechange écologique.

La SRPRC en collaboration avec Black & Decker et d'autres utilisateurs de piles ont établi aux États-Unis et au Canada des programmes facilitant la cueillette des piles au plomb déchargées. Black & Decker encourage ses clients à protéger l'environnement et à conserver les ressources naturelles, et ce, en retournant les piles au plomb à un centre de réparation Black & Decker autorisé ou à un détaillant local pour qu'elles soient recyclées. On peut aussi communiquer avec le centre local de recyclage pour savoir où déposer les piles déchargées ou composer le numéro **1 800 544-6986**.



Accessoires

Les accessoires recommandés pouvant être utilisés avec la tondeuse sont disponibles auprès de votre distributeur ou centre de réparation local autorisé. Pour tout renseignement concernant les accessoires, composer le : **1-800-544-6986**

AVERTISSEMENT : l'utilisation de tout accessoire non recommandé avec cet outil pourrait s'avérer dangereuse.

p/n 242501-05 COLLECTEUR D'HERBE DE RECHANGE

MB-1200 LAME DE RECHANGE

BLOC-PILES RB-3610 OU RB-3612 OU RB-3675

CHARGEUR RAPIDE FC3600

VOICI QUELQUES CONSEILS PRATIQUES POUR OPTIMISER L'UTILISATION DE VOTRE TONDEUSE SANS FIL BLACK & DECKER... ET

OBTENIR UNE PELOUSE DE RÊVE

1. Tondre la pelouse la première fois au printemps lorsque l'herbe atteint une hauteur de 63 mm à 76 mm (2 1/2 po à 3 po). Tondre la pelouse trop tôt limitera le développement des racines de la pelouse qui se renouvellent chaque printemps. Couper la nouvelle herbe lorsqu'elle atteint une hauteur d'environ 63 mm (2 1/2 po).
2. Ne pas couper une trop grande proportion de la hauteur d'herbe en un seul passage. Jamais plus de 1/3 de la hauteur de la feuille à chaque passage. Des tontes trop rapprochées dans le temps perturbent les tiges d'herbe sensibles, ce qui produit un système superficiel de racines et la pelouse éprouve de la difficulté par la suite à atteindre l'eau dans le sol.
3. Des spécialistes en soins de la pelouse déclarent qu'une bonne partie des problèmes constatés en matière de pelouse provient de coupes trop rapprochées. La profondeur et la résistance des racines de l'herbe sont presque exactement proportionnelles à sa croissance. L'herbe de pelouses bien établies est souvent endommagée lorsque coupée plus courte que 38 mm (1 1/2 po). Une hauteur de 38 mm à 51 mm (1 1/2 po à 2 po) est préférable pour les pelouses de grande superficie.
4. Tondre la pelouse lorsqu'elle est sèche pour éviter la formation de mottes d'herbe mouillée. S'il est possible, la fin de l'après-midi est la période idéale pour tondre la pelouse non seulement parce que l'herbe est sèche, mais également parce que l'aire nouvellement coupée sera protégée des rayons forts du soleil.
5. Maintenir la lame affûtée pour une coupe bien nette. Cette pratique améliore le rendement de la tondeuse et l'apparence de la pelouse. Une lame émoussée casse et écrase les pointes de l'herbe. Ceci nuit à la saine croissance de la pelouse et accroît la susceptibilité aux maladies qui l'attaquent. Si les pointes de l'herbe sont écrasées, elles brunissent et la pelouse a l'air en mauvaise santé. Une lame émoussée peut également arracher les nouvelles pousses.
6. Essayer de tondre la pelouse toujours à la même (constante) hauteur de coupe. Il est parfois nécessaire de varier la hauteur de coupe en fonction de la saison. Toutefois, une coupe à hauteur constante produit une belle pelouse plus saine avec, en règle générale, moins de mauvaises herbes. Tondre la pelouse plus fréquemment en période de croissance rapide. Une coupe fréquente permet de cacher la section plus basse, moins attrayante de l'herbe.
7. Si la pelouse devient trop longue (des vacances, par exemple, pourraient interrompre la tonte de la pelouse), couper la pelouse à une ou deux hauteur(s) plus élevée(s) que normalement. Quelques jours plus tard, un deuxième passage à une hauteur normale de coupe redonnera à la pelouse son air d'antan. La modification de la hauteur de coupe est simple avec le réglage en un mouvement de la hauteur des roues de Black & Decker, qui ajuste simultanément les quatre roues de la tondeuse.
8. Au printemps et à l'automne (ou après toute interruption du rythme de coupe), l'herbe sera plus longue et plus épaisse. Si le moteur ralentit à tout moment en cours de tonte, régler les roues à une hauteur de coupe plus élevée. Une surcharge du moteur peut résulter dans une coupe inégale et une décharge rapide de la batterie.

9. Trois bonnes idées pour améliorer l'apparence de la pelouse : varier fréquemment le sens de coupe, couper horizontalement sur les pentes (ceci est également une bonne mesure de sécurité) et ne pas oublier de superposer le champ de coupe à chaque passage.
10. Couper toujours la pelouse de sorte que l'herbe coupée soit redistribuée sur la pelouse tondu. Cette technique donne à la pelouse une apparence fraîche en évitant une accumulation d'herbes coupées brunies et laides. Cette technique aide également à préserver la charge de la pile de la tondeuse électrique sans fil Black & Decker.
11. Au printemps et à l'automne, lorsque l'herbe est longue et épaisse, il est possible d'utiliser la tondeuse sans que la pile soit complètement chargée (c.-à-d. lorsque le voyant vert est allumé). Une telle pratique permet d'accomplir des coupes courtes et rapides, mais il n'est pas recommandé de le faire souvent. La pile ainsi que la tondeuse fonctionnent beaucoup mieux à pleine charge.

GUIDE DE DÉPANNAGE

PROBLÈME

SOLUTION

<p>1. La tondeuse ne fonctionne pas quand l'anse est activée.</p>	<p>A. Vérifier que la clé de sûreté est correctement insérée et enfoncée complètement et que le bouton sur le contact est bien enfoncé.</p> <p>B. Relâcher l'anse pour éteindre la tondeuse. Retirer la clé de sûreté et le bloc-piles, retourner la tondeuse et vérifier que la lame tourne librement.</p> <p>C. Vérifier que le logement de la pile est exempt de débris et connecté correctement.</p> <p>D. Est-ce que la pile est à pleine charge? Brancher le chargeur et attendre que le voyant vert s'allume.</p>
<p>2. Le moteur s'arrête en cours de coupe.</p>	<p>A. Relâcher l'anse pour éteindre la tondeuse. Retirer la clé de sûreté et le bloc-piles. Retourner la tondeuse et vérifier que la lame tourne librement.</p> <p>B. Relever la hauteur de coupe des roues à la position la plus élevée et commencer la tonte.</p> <p>C. Vérifier que le logement de la pile est exempt de débris et connecté correctement.</p> <p>D. Est-ce que la pile est à pleine charge? Brancher le chargeur et attendre que le voyant vert s'allume.</p> <p>E. Éviter de surcharger la tondeuse. Ralentir la tonte ou augmenter la hauteur de coupe.</p>
<p>3. La tondeuse fonctionne, mais le rendement est insatisfaisant ou la tondeuse ne coupe pas toute la pelouse.</p>	<p>A. Est-ce que la pile est à pleine charge? Brancher le chargeur et attendre que le voyant vert s'allume.</p> <p>B. Relâcher l'anse pour éteindre la tondeuse. Retirer la clé de sûreté et le bloc-piles. Retourner la tondeuse et vérifier : Le tranchant de la lame. Maintenir la lame affûtée. La présence éventuelle d'un bourrage de la goulotte de vidange ou du châssis.</p> <p>C. Le réglage de la hauteur des roues pourrait être trop bas pour l'état de la pelouse. Augmenter la hauteur de coupe.</p>
<p>4. Il est trop difficile de pousser la tondeuse.</p>	<p>A. Augmenter la hauteur de coupe pour réduire le frottement du châssis sur l'herbe. Vérifier que chaque roue tourne librement.</p>
<p>5. La tondeuse produit des sons anormaux et vibre.</p>	<p>A. Relâcher l'anse pour éteindre la tondeuse. Retirer la clé de sûreté et le bloc-piles. Placer la tondeuse sur le côté et vérifier que la lame n'est pas tordue ou endommagée. Si la lame est endommagée, la remplacer avec une lame de rechange Black & Decker. Si la face inférieure du châssis est endommagée, confier la réparation à un centre de réparations Black & Decker autorisé.</p> <p>B. Si aucun dommage visible à la lame n'est identifié et que la tondeuse vibre toujours, la lame a peut-être besoin d'être équilibrée. Consulter le manuel pour équilibrer la lame. Si la tondeuse vibre toujours après l'équilibrage de la lame, relâcher l'anse pour éteindre la tondeuse, retirer la clé de sûreté et le bloc-piles et retirer la lame. Tourner la lame sur 180 degrés et la resserrer. Si la tondeuse vibre toujours, confier la réparation à un centre de réparations Black & Decker autorisé.</p>
<p>6. Le voyant du chargeur de piles est éteint.</p>	<p>A. Vérifier le branchement de la fiche. Débrancher le chargeur et attendre quelques secondes. Rebrancher le chargeur pour voir si les voyants DEL s'allument.</p> <p>B. Le port de charge du bloc-piles est uniquement accessible lorsqu'il est retiré de la tondeuse. Vérifier le port de charge pour voir si la DEL du chargeur s'allume.</p> <p>C. Remplacer le chargeur.</p>
<p>7. Le voyant du chargeur de piles ne passe pas au vert.</p>	<p>A. Débrancher le chargeur et attendre quelques secondes. Le rebrancher et le laisser chargé pendant au moins 8 heures à un taux normal ou pendant une heure à un taux de charge rapide (voyant vert clignotant).</p> <p>B. Si le voyant DEL du chargeur n'est pas vert, il se peut que le bloc-piles doive être diagnostiqué. Le faire vérifier dans un centre de réparations autorisé.</p>

PROBLÈME

SOLUTION

8. La tondeuse ne ramasse pas l'herbe coupée dans le sac.	A. La goulotte est encrassée. Relâcher l'anse pour éteindre la tondeuse. Retirer la clé de sûreté et le bloc-piles. Vider la goulotte de l'herbe coupée. B. Trop d'herbe coupée. Relever la hauteur de coupe des roues pour en couper moins. C. Le sac est plein. Vider le sac plus souvent.
9. Au déchiquetage, l'herbe coupée est visible.	A. Trop d'herbe coupée. Relever la hauteur de coupe des roues pour en couper moins. Ne pas couper plus du tiers de la longueur totale. B. Vérifier le tranchant de la lame. Toujours maintenir la lame affûtée.
10. Sur une tondeuse offrant la sélection de mode : le bouton est difficile à régler.	A. La goulotte du châssis est peut-être bouchée à l'excès. Relâcher l'anse pour éteindre la tondeuse. Retirez la clé de sûreté et le bloc-piles. Vider la goulotte de l'herbe coupée.

REMARQUE

Même si le voyant rouge demeure allumé après une charge initiale de 24 heures de la pile, il est possible d'utiliser la tondeuse. La pile a besoin de « rodage » et exigera quelques cycles de charge et de décharge avant que le voyant vert ne s'allume.

CETTE SECTION N'EST QU'UN GUIDE POUR VOUS AIDER À RÉALISER DES INSPECTIONS VISUELLES ET DE SIMPLS ESSAIS. SI AUCUNE DES SOLUTIONS PROPOSÉES N'EST SATISFAISANTE OU N'AMÉLIORE LE RENDEMENT DE LA TONDEUSE, COMPOSER LE 1-800-544-6986 (1-800-54-HOW-TO) POUR PARLER À UN REPRÉSENTANT DU SERVICE À LA CLIENTÈLE OU POUR CONFIER LA RÉPARATION DE LA TONDEUSE À UN CENTRE DE RÉPARATION BLACK & DECKER AUTORISÉ.

Information sur les réparations

Tous les centres de réparation Black & Decker sont dotés de personnel qualifié en matière d'outillage électrique; ils sont donc en mesure d'offrir à leur clientèle un service efficace et fiable. Que ce soit pour un avis technique, une réparation ou des pièces de rechange authentiques installées en usine, communiquer avec l'établissement Black & Decker le plus près de chez vous. Pour trouver l'établissement de réparation de votre région, consulter le répertoire des Pages jaunes à la rubrique « Outils électriques » ou composer le numéro suivant : **1-800-544-6986** ou consulter le site www.blackanddecker.com

GARANTIES

Garantie complète de deux ans pour une utilisation domestique

Black & Decker (É.-U.) Inc. garantit ce produit pour une durée de deux ans contre tout défaut de matériau ou de fabrication. Le produit défectueux sera remplacé ou réparé sans frais de l'une des deux façons suivantes :

La première façon consiste en un simple échange chez le détaillant qui l'a vendu (pourvu qu'il s'agisse d'un détaillant participant). Tout retour doit se faire durant la période correspondant à la politique d'échange du détaillant (habituellement, de 30 à 90 jours après l'achat). Une preuve d'achat peut être requise. Vérifier auprès du détaillant pour connaître sa politique concernant les retours hors de la période définie pour les échanges.

La deuxième option est d'apporter ou d'envoyer le produit (transport payé d'avance) à un centre de réparation autorisé ou à un centre de réparation de Black & Decker pour faire réparer ou échanger le produit, à notre discrétion. Une preuve d'achat peut être requise. Les centres Black & Decker et les centres de service autorisés sont répertoriés dans les pages jaunes, sous la rubrique « Outils électriques ».

Cette garantie ne s'applique pas aux accessoires. Cette garantie vous accorde des droits légaux spécifiques et vous pourriez avoir d'autres droits qui varient d'un État ou d'une province à l'autre. Pour toute question, communiquer avec le directeur du centre de réparation Black & Decker le plus près de chez vous. Ce produit n'est pas destiné à un usage commercial.

REMPACEMENT GRATUIT DES ÉTIQUETTES D'AVERTISSEMENT : si les étiquettes d'avertissement deviennent illisibles ou sont manquantes, composer le **1-800-544-6986** pour en obtenir le remplacement gratuit.

Garantie du châssis

Le châssis est garanti à vie seulement contre les vices de matière ou de fabrication.

Importé par
Black & Decker Canada Inc.
100 Central Ave.
Brockville (Ontario) K6V 5W6

Voir la rubrique "Outils
électriques"
des Pages jaunes
pour le service et les ventes.

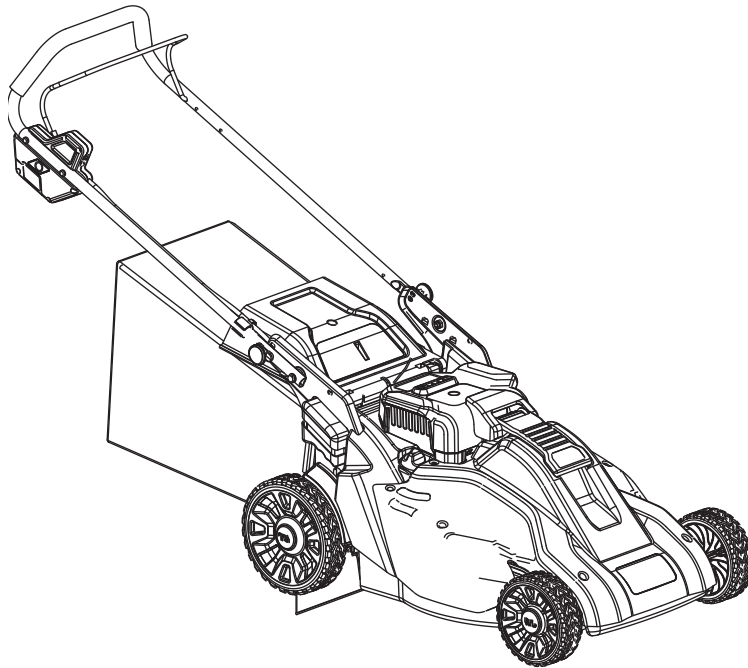




Podadoras inalámbricas de 483 mm (19 pulgadas) para formación de mantillo con bolsa trasera

MANUAL DE INSTRUCCIONES

Catálogo N° CM1936ZF2



Gracias por elegir Black & Decker!

Visite www.BlackandDecker.com/NewOwner para registrar su nuevo producto.

LEA EL MANUAL ANTES DE DEVOLVER ESTE PRODUCTO POR CUALQUIER MOTIVO:

Si tiene una consulta o algún inconveniente con su producto Black & Decker, visite [HTTP://WWW.BLACKANDDECKER.COM/INSTANTANSWERS](http://www.blackanddecker.com/instantanswers) para obtener respuestas instantáneas las 24 horas del día.

Si no encuentra la respuesta o no tiene acceso a Internet, llame al 1-800-544-6986 de lunes a viernes de 8 a.m. a 5 p.m. hora del Este para hablar con un agente. Cuando llame, tenga a mano el número de catálogo.

INFORMACIÓN CLAVE QUE DEBE CONOCER:

- No ponga en funcionamiento la podadora sin verificar que el mango esté trabado en su posición.
- Para obtener mejores resultados en el corte, mantenga las hojas afiladas y balanceadas.
- Examine y limpie minuciosamente la podadora después de utilizarla (una plataforma cubierta de bloques de césped afectará el rendimiento de la máquina).
- Antes de comenzar la tarea, asegúrese de despejar el área de trabajo y no permita el ingreso de personas o mascotas.
- Para obtener un rendimiento óptimo, cargue completamente la podadora antes de utilizarla por primera vez. Cargue completamente la batería después de cada uso.

CONSERVE ESTE MANUAL PARA FUTURAS CONSULTAS.

PAUTAS DE SEGURIDAD/DEFINICIONES

Es importante que lea y comprenda este manual. La información que contiene se relaciona con la protección de SU SEGURIDAD y la PREVENCIÓN DE PROBLEMAS. Los símbolos que siguen se utilizan para ayudarlo a reconocer esta información.

⚠ PELIGRO: indica una situación de peligro inminente que, si no se evita, provocará la muerte o lesiones graves.

⚠ ADVERTENCIA: indica una situación de peligro potencial que, si no se evita, provocará la muerte o lesiones graves.

⚠ PRECAUCIÓN: indica una situación de peligro potencial que, si no se evita, provocará lesiones leves o moderadas.

AVISO: utilizado sin el símbolo de alerta de seguridad indica una situación de peligro potencial que, si no se evita, puede provocar daños en la propiedad.

A continuación se presentan explicaciones de las ilustraciones de importantes riesgos de seguridad correspondientes a la podadora.



1. El usuario debe leer y comprender el manual de instrucciones.



2. Para evitar el riesgo de lesiones graves no corte el césped subiendo y bajando pendientes. En pendientes, siempre corte el césped transversalmente.



3. Para evitar el riesgo de lesiones hacia las personas de alrededor, mantenga a todas las personas y las mascotas a una distancia segura de la podadora mientras esté en funcionamiento.



4. Las hojas giratorias pueden provocar lesiones graves. Mantenga las manos y los pies lejos de la plataforma y la abertura de descarga de la podadora en todo momento. Antes de retirar y volver a colocar el recolector de césped, limpiar, transportar, levantar o realizar el mantenimiento de la podadora, siempre asegúrese de que la hoja se haya detenido (espere hasta que la hoja deje de girar, aproximadamente 3 segundos, después de soltar la palanca del interruptor y retirar la llave de seguridad).



5. Los objetos golpeados por la hoja de la podadora pueden provocar lesiones graves. Manténgase detrás del mango cuando el motor esté en funcionamiento. Siempre asegúrese de que las personas y las mascotas estén lejos de la descarga de la podadora mientras esté en funcionamiento. Siempre inspeccione el área de trabajo antes de cortar el césped y retire los objetos que podrían ser lanzados por la hoja. Antes de cruzar aceras, calles, patios y senderos de grava, suelte la palanca del interruptor para apagar la podadora y espere hasta que la hoja deje de girar (aproximadamente 3 segundos).

⚠ ADVERTENCIA: INSTRUCCIONES Y ADVERTENCIAS DE SEGURIDAD IMPORTANTES

⚠ ADVERTENCIA: Al utilizar herramientas eléctricas para el jardín, siempre se deben tomar precauciones básicas de seguridad para reducir el riesgo de incendios, descargas eléctricas y lesiones personales, incluidas las siguientes.

LEA TODAS LAS INSTRUCCIONES

PARA REDUCIR EL RIESGO DE LESIONES:

- Antes de cada uso, asegúrese de que todos los que utilizan esta herramienta lean y comprendan todas las instrucciones de seguridad y el resto de la información incluida en este manual.
- Conserve estas instrucciones y revíselas con frecuencia antes del uso y al instruir a otras personas.

⚠ PELIGRO: PRÁCTICAS DE SEGURIDAD IMPORTANTES PARA PODADORAS DE EMPUJAR

Esta podadora puede amputar manos y pies, y lanzar objetos. El incumplimiento de las siguientes instrucciones de seguridad puede producir lesiones graves o la muerte.

OPERACIÓN GENERAL

1. Antes de hacerla arrancar, lea, comprenda y siga todas las instrucciones en la podadora y en el manual de instrucciones.
2. No ponga las manos ni los pies cerca o debajo de la podadora. Manténgase alejado de la abertura de descarga en todo momento.
3. Sólo permita que adultos responsables, familiarizados con las instrucciones, operen esta podadora.
4. Despeje el área donde se utilizará la podadora de objetos como piedras, palos, alambre, juguetes, huesos, etc., que la hoja podría lanzar. Los objetos golpeados por la hoja pueden causar graves lesiones a las personas. Manténgase detrás del mango cuando el motor esté en funcionamiento.
5. Asegúrese de que no haya personas en el área que rodea a la podadora antes de utilizarla. Todas las personas y mascotas en los alrededores deben mantenerse a una distancia segura. Detenga la podadora si alguien entra en el área que la rodea.
6. No opere la podadora descalzo o con sandalias. Siempre use calzado resistente.
7. No tire de la podadora hacia atrás a menos que sea absolutamente necesario. Siempre mire hacia abajo y hacia atrás antes y durante movimientos de retroceso.
8. Nunca descargue material en forma directa en la dirección donde hay personas. No descargue material contra una pared o contra algo que provoque una obstrucción. El material puede rebotar y golpear al operador. Al cruzar superficies de grava, suelte la palanca del interruptor para apagar la podadora y detener la hoja.
9. No opere la podadora si el recolector de césped completo, el protector de la descarga, el protector posterior u otros dispositivos de seguridad no están en su lugar y funcionando. Verifique periódicamente todos los protectores y dispositivos de seguridad para asegurarse de que estén en buenas condiciones, que funcionen correctamente y que cumplan con su función correspondiente. Reemplace un seguro, protector u otro dispositivo de seguridad dañado antes de un uso posterior.
10. Nunca deje funcionando una podadora sin supervisión.
11. Antes de limpiar la podadora, retirar el recolector de césped, desatascar el protector de la descarga, alejarse de la podadora o antes de realizar cualquier ajuste, reparación o inspección, siempre suelte la palanca del interruptor para detener el motor y espere hasta que la hoja se detenga por completo para retirar la llave de seguridad.
12. Opere la podadora sólo con luz diurna o buena iluminación artificial para que los objetos en el trayecto de la hoja sean visibles claramente desde el área de funcionamiento de la podadora.
13. No opere la podadora bajo la influencia del alcohol o las drogas, ni cuando esté cansado o enfermo. Siempre manténgase alerta, ponga atención a lo que hace y use el sentido común.

14. Evite los entornos peligrosos. Nunca opere la podadora sobre césped húmedo o mojado; nunca use la podadora bajo la lluvia. Siempre asegúrese de tener los pies bien apoyados; camine, nunca corra.
15. Desconecte el sistema de accionamiento, de haberlo, antes de arrancar el motor.
16. Si la podadora comienza a vibrar de manera anormal, suelte la palanca del interruptor, espere hasta que la hoja se detenga, retire la llave de seguridad y el paquete de baterías, y luego busque la causa de inmediato. La vibración por lo general es una advertencia acerca de la existencia de un problema.
17. Siempre use protección adecuada para los ojos y las vías respiratorias cuando opere la podadora.
18. El uso de accesorios o dispositivos no recomendados para utilizar con esta podadora puede ser peligroso. Sólo utilice accesorios aprobados por Black & Decker.
19. Nunca se estire demasiado mientras opera la podadora. Siempre asegúrese de tener los pies bien apoyados y de conservar el equilibrio en todo momento mientras opera la podadora.

OPERACIÓN EN PENDIENTES

Las pendientes son un factor importante en los accidentes de resbalamiento y caída, que pueden provocar lesiones graves. La operación en todas las pendientes requiere de cuidado adicional. Si se siente incómodo en una pendiente, no corte el césped en ella.

1. En las pendientes corte el césped transversalmente a la superficie; nunca subiéndolas y bajándolas. Sea extremadamente cuidadoso cuando cambie de dirección sobre pendientes.
2. Tenga cuidado con agujeros, surcos, bultos, piedras u otros objetos ocultos. Un terreno irregular puede provocar un accidente de resbalamiento y caída. El césped alto puede ocultar los obstáculos.
3. No corte el césped si éste está mojado o en pendientes demasiado pronunciadas. No tener los pies bien apoyados puede provocar un accidente de resbalamiento y caída.
4. No corte el césped cerca de barrancos, zanjas o terraplenes. Puede perder el apoyo de los pies o el equilibrio.

NIÑOS

Pueden producirse accidentes trágicos si el operador no está atento a la presencia de niños. Con frecuencia los niños se sienten atraídos por la podadora y la actividad de cortar el césped. Nunca dé por sentado que los niños permanecerán donde los vio por última vez.

1. Mantenga a los niños fuera del área de trabajo y bajo el cuidado atento de un adulto responsable que no sea el operador.
2. Esté atento y apague la podadora si un niño entra al área.
3. Nunca permita que los niños operen la podadora.
4. Tenga especial cuidado al acercarse a esquinas ciegas, arbustos, árboles u otros objetos que puedan bloquear su vista de un niño.

MANTENIMIENTO GENERAL

1. Nunca opere la podadora en un área cerrada.
2. Mantenga ajustados todos los pernos y tuercas para asegurarse de que el equipo esté en condiciones de trabajo seguras.
3. Nunca haga cambios indebidos en los dispositivos de seguridad. Verifique regularmente que funcionen correctamente.
4. Mantenga la podadora libre de césped, hojas u otras acumulaciones de residuos. Espere a que la podadora se enfríe antes de guardarla.
5. Si golpea un objeto extraño, suelte la palanca del interruptor para apagar la podadora, espere hasta que la hoja se detenga, retire la llave de seguridad y el paquete de baterías y luego inspeccione la podadora. Antes de arrancar y operar la podadora, repare todo daño.
6. Nunca realice ajustes o reparaciones con el motor en funcionamiento o con la llave de seguridad en la podadora.
7. Siempre retire la llave de seguridad y el paquete de baterías antes de ajustar, limpiar, reparar, inspeccionar, transportar, guardar o alejarse de la podadora.
8. Verifique frecuentemente los componentes del recolector de césped y el protector de la descarga, y cuando sea necesario reemplácelos sólo con piezas recomendadas por Black & Decker.
9. Las hojas de la podadora son filosas. Envuelva la hoja o use guantes, y tenga especial cuidado al realizar mantenimiento en ellas.
10. Cuide o reemplace las etiquetas de seguridad y de instrucciones, según sea necesario.

Este mecanismo cumple con la parte 15 de las normas de la Comisión Federal de Comunicaciones de Estados Unidos (FCC). La operación está sujeta a las dos condiciones siguientes: (1) Este mecanismo posiblemente no cause interferencia perjudicial; y (2) este mecanismo puede aceptar cualquier interferencia recibida, incluso interferencia que podría provocar una operación no deseada.

NOTA: Este equipo ha sido probado y se encontró que cumple con los límites para dispositivo digital Clase B, según la parte 15 de las normas de la FCC. Estos límites están diseñados para brindar protección razonable contra interferencia perjudicial en una instalación residencial. Este equipo genera, usa y puede irradiar energía en frecuencia de radio y, si no se instala y se usa de acuerdo con las instrucciones, puede provocar interferencia perjudicial en las comunicaciones de radio. Sin embargo, no hay garantía de que la interferencia no ocurra en una instalación en particular. Si este equipo provoca interferencia perjudicial en la recepción de radio o televisión, lo que se puede determinar al apagar y encender el equipo, el usuario debe tratar de corregir la interferencia mediante una o más de las siguientes medidas:

- Cambiar la orientación o la ubicación de la antena de recepción.
- Aumentar la separación entre el equipo y el receptor.
- Conectar el equipo a un tomacorriente sobre un circuito diferente de aquel al que está conectado el receptor.
- Consultar al vendedor o pedir la ayuda de un técnico en radio y televisión con experiencia.

Los cambios o las modificaciones que se le realicen a esta unidad sin aprobación expresa del tercero responsable del cumplimiento pueden anular la autorización del usuario para operar el equipo. Este aparato digital de la clase B se conforma con ICES-003 canadiense.

CONSERVE ESTAS INSTRUCCIONES

⚠ ADVERTENCIA: INSTRUCCIONES Y ADVERTENCIAS GENERALES DE SEGURIDAD PARA TODAS LAS HERRAMIENTAS

- **ESTA HERRAMIENTA PUEDE SER PELIGROSA.** Respete todas las advertencias y las instrucciones de seguridad de este manual. El operador es responsable de respetar las advertencias e instrucciones de este manual y las que están en la unidad. Restrinja el uso de esta podadora a las personas que lean, comprendan y respeten las advertencias e instrucciones de este manual y las que están en la unidad.
- **CUANDO NO USE LA PODADORA GUÁRDELA BAJO TECHO.** Siempre guárdela después de retirar la llave de seguridad. Las podadoras deben guardarse bajo techo en un área protegida y seca, lejos del alcance de los niños.
- **NO FUERCE LA PODADORA.** Funcionará mejor y con una menor probabilidad de posibles lesiones si se opera a la velocidad para la que se diseñó.
- **UTILICE EL APARATO CORRECTO.** No utilice la podadora para otra tarea que no sea aquella para la que fue creada.
- **USE LA VESTIMENTA ADECUADA.** No use ropa holgada ni joyas. Pueden quedar atrapadas en las piezas móviles. Al trabajar al aire libre, se recomienda usar guantes de goma, pantalones largos y calzado resistente antideslizante.
- **USE GAFAS DE SEGURIDAD Y OTRO EQUIPO DE SEGURIDAD.** Use gafas de seguridad o anteojos de seguridad con protecciones laterales que cumplan con las normas de seguridad correspondientes y, cuando sea necesario, un protector facial. Use también una máscara facial o contra

el polvo si la operación es polvorienta. Esto se aplica a todas las personas que se encuentren en el área de trabajo. Use también un casco, protección auditiva, guantes, calzado de seguridad y sistemas de recolección de polvo cuando así se especifique o requiera. Las gafas de seguridad y similares están disponibles a un costo adicional en su distribuidor o centro de mantenimiento local de Black & Decker.

- **NO MALTRATE EL CABLE.** Nunca transporte el cargador sosteniéndolo por el cable ni tire de éste para desconectarlo del receptáculo. Mantenga el cable lejos del calor, del aceite y de bordes afilados.
- **REALICE EL MANTENIMIENTO DE LA PODADORA CON CUIDADO.** Para obtener el mejor rendimiento y para reducir el riesgo de lesiones, mantenga el borde de corte limpio y afilado. Siga las instrucciones para lubricar y cambiar los accesorios. Inspeccione el cable de la podadora periódicamente y, en caso de detectar daños, llévelo a un centro de mantenimiento autorizado para que lo reparen. Mantenga los mangos secos, limpios y sin restos de aceite ni grasa.
- **EVITE EL ENCENDIDO POR ACCIDENTE.** No transporte la podadora con la llave de seguridad insertada en el alojamiento del interruptor. Al insertar la llave de seguridad, asegúrese de que la palanca del interruptor no esté en posición de encendido.
- **ANTES DEL USO,** siempre haga una inspección visual para asegurar que la hoja, los elementos de fijación y el ensamblaje de corte de la hoja no estén gastados ni dañados. Reemplace en conjunto las hojas y los elementos de fijación gastados o dañados para mantener uniformidad. Inspeccione el cable de la podadora y asegúrese de que esté en buenas condiciones. El aislamiento del cable debe estar intacto sin grietas ni deterioro.
- **USO DE CABLES PROLONGADORES**
Antes de utilizar un cable prolongador, asegúrese de que esté en buenas condiciones. Siempre utilice cables prolongadores del tamaño adecuado para la herramienta; es decir, un tamaño de conductor adecuado para las diversas longitudes de cable y con la suficiente capacidad para conducir la corriente que utilizará la herramienta. El uso de un cable de menor capacidad provocará una caída del voltaje de línea que resultará en pérdida de potencia y sobrecalentamiento. Consulte la tabla a continuación para conocer las capacidades adecuadas de los cables.

Volts	Calibre mínimo para cables de extensión			
	Longitud total del cable en pies			
120V	0-25	26-50	51-100	101-150
	(0-7,6m)	(7,6-15,2m)	(15,2-30,4m)	(30,4-45,7m)
240V	0-50	51-100	101-200	201-300
	(0-15,2m)	(15,2-30,4m)	(30,4-60,9m)	(60,9-91,4m)
Amperaje		American Wire Gage		
	Más de	No más de		
0	- 6	18	16	14
6	- 10	18	16	12
10	- 12	16	16	12
12	- 16	14	12	No se recomienda

- **VERIFIQUE QUE NO HAYA PIEZAS DAÑADAS.** Antes de volver a usar la podadora, se debe controlar cualquier protección u otra pieza que esté averiada para determinar si funcionará correctamente y realizará la función para la que fue diseñada. Verifique la alineación de las piezas móviles o si éstas se traban, la rotura de piezas, el montaje y cualquier otra condición que pueda afectar su operación. Cualquier protección u otra pieza que esté dañada debe ser reparada correctamente o reemplazada por un centro de mantenimiento autorizado, a menos que este manual indique otra cosa.
- **MANTENIMIENTO Y REPARACIONES.** Las reparaciones, el mantenimiento y los ajustes que no estén especificados en este manual deben ser realizados por los centros de mantenimiento autorizados de Black & Decker o por otras organizaciones de mantenimiento calificadas, y siempre deben usarse piezas de repuesto idénticas.

⚠ PELIGRO: ADVERTENCIAS ADICIONALES PARA PODADORAS

- **SIEMPRE** agarre firmemente el mango con ambas manos cuando opere la podadora.
- **NUNCA** use audífonos de radio o música mientras opere la podadora.
- **SUJETE** el cabello largo.
- **NUNCA** intente realizar un ajuste de la altura de las ruedas con el motor en funcionamiento o con la llave de seguridad colocada en su alojamiento.
- **SI LA PODADORA** se para, suelte la palanca del interruptor para apagar la unidad, espere hasta que la hoja se detenga y retire la llave de seguridad y el paquete de baterías antes de tratar de desobstruir el conducto o retirar algún elemento bajo la plataforma.
- **MANTENGA LAS MANOS** y los pies lejos del área de corte.
- **MANTENGA LAS HOJAS** afiladas. Siempre use guantes de protección cuando manipule la hoja de la podadora.
- **SI UTILIZA** un recolector de césped, verifique frecuentemente si presenta desgaste o deterioro. Si está excesivamente gastado, reemplácelo con una nueva bolsa para su seguridad.
- **SEA EXTREMADAMENTE CUIDADOSO** al retroceder o tirar de la podadora hacia usted.

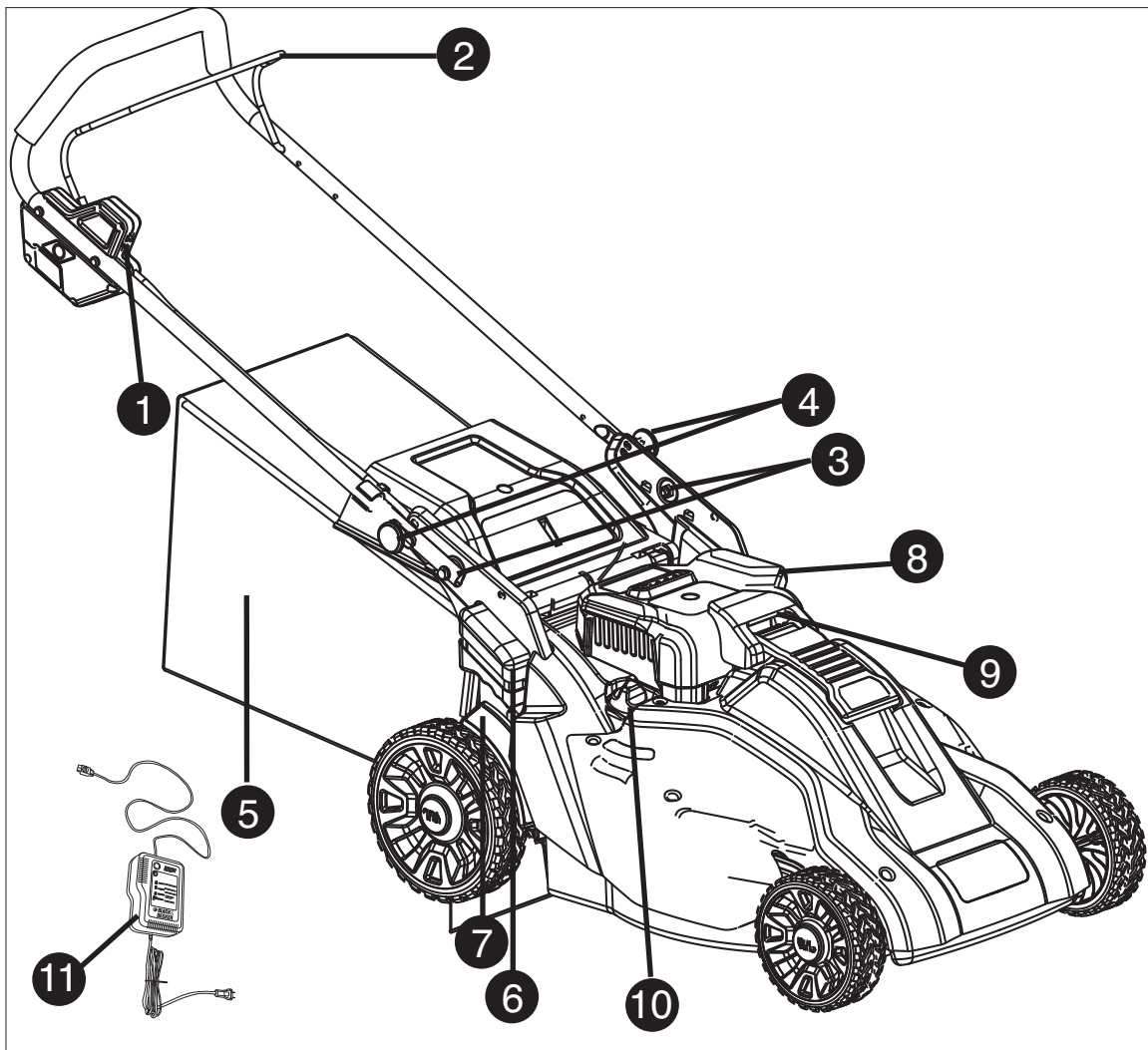
⚠ ADVERTENCIA: Parte del polvo generado por este producto contiene productos químicos reconocidos por el Estado de California como causantes de cáncer, defectos de nacimiento u otros problemas reproductivos. Algunos ejemplos de estos productos químicos son:

- compuestos en fertilizantes
- compuestos en insecticidas, herbicidas y pesticidas
- arsénico y cromo de madera con tratamiento químico

Para reducir su exposición a estos productos químicos, use equipo de seguridad aprobado, como máscaras para polvo que están diseñadas especialmente para filtrar las partículas microscópicas.

DESCRIPCIÓN DE LAS FUNCIONES - CM1936ZF2

- 1.) Llave de seguridad/puerto de carga
- 2.) Asidero de seguridad (palanca del interruptor)
- 3.) Pernos de ajuste del mango
- 4.) Perillas de almacenamiento en el mango
- 5.) Bolsa recolectora de césped
- 6.) Liberador de ajuste de altura de corte
- 7.) Indicador de altura de corte
- 8.) Batería desmontable
- 9.) Seguro de la batería
- 10.) Perilla de operación según requerimiento
- 11.) Cargador



PREPARACIÓN

CONSULTE LOS DIAGRAMAS (A, B, C...) Y LOS NÚMEROS DE LOS ÍTEMS (1, 2, 3...) SEGÚN LA INDICACIÓN INCLUIDA EN EL MANUAL. POR EJEMPLO, POR EJEMPLO, LA INDICACIÓN A-1 SER REFIERE AL ÍTEM 1 DE LA FIGURA A.

DESEMBALAJE: (FIGURAS A, A1, A2)

⚠ **PRECAUCIÓN: Punto de pellizco.** Para evitar sufrir pellizcos, mantenga los dedos alejados del área entre el mango y las placas.

PASO 1:

Corte cuidadosamente los lados de la caja en el extremo opuesto al mango y doble la aleta hacia abajo como se muestra.

⚠ **ADVERTENCIA: Hoja filosa.** Mantenga las partes del cuerpo alejadas de la hoja.

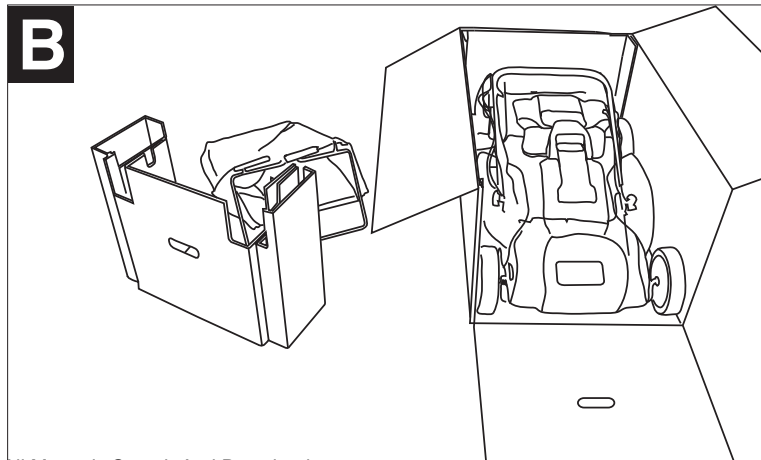
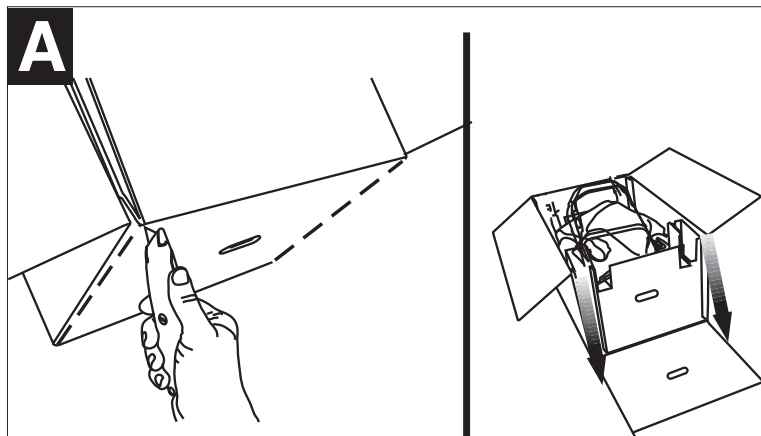
PASO 2:

Cuando el extremo cortado de la caja esté abierto, retire el elemento de relleno de cartón, el cargador, la bolsa para accesorios y la bolsa para césped, y empuje la podadora fuera de la caja abierta.

ENSAMBLAJE

Herramientas que se requieren para el ensamblaje que no están provistos:

Llave ajustable o de 13 mm (1/2 pulgada).

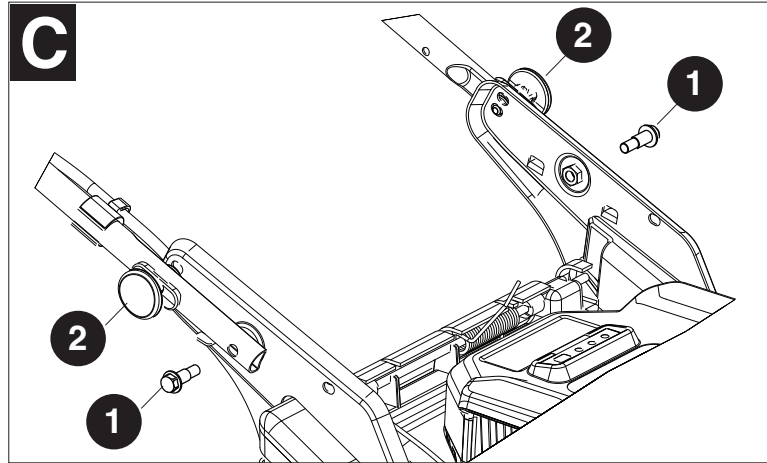


ENSAMBLAJE DEL MANGO (FIGURA C)

1. Ubique el mango de manera que los orificios de éste queden alineados con los orificios de la placa lateral de la plataforma. Las perillas de **ajuste rápido del mango C-2** quedarán alineadas con los orificios superiores de la placa lateral de la plataforma.
2. Inserte los pernos de **fijación del mango C-1** a través de los orificios del mismo y enrósquelos en la placa lateral de la plataforma. Antes de ajustarlos, repita el procedimiento para el lado opuesto.
3. Ajuste firmemente los pernos de **fijación del mango C-1** utilizando la llave ajustable o de 13 mm (1/2 pulgada). Asegúrese de que cada perno se ajuste hasta que su reborde toque fondo en la placa.
4. Para establecer la altura deseada del mango consulte el ajuste del mango. No empuje ni utilice la podadora a menos que el mango esté debidamente sujeto y asegurado a ésta.

Las perillas de ajuste **rápido del mango C-2** tendrán el aspecto que se muestra en la **Figura C** cuando estén completamente insertas en las placas.

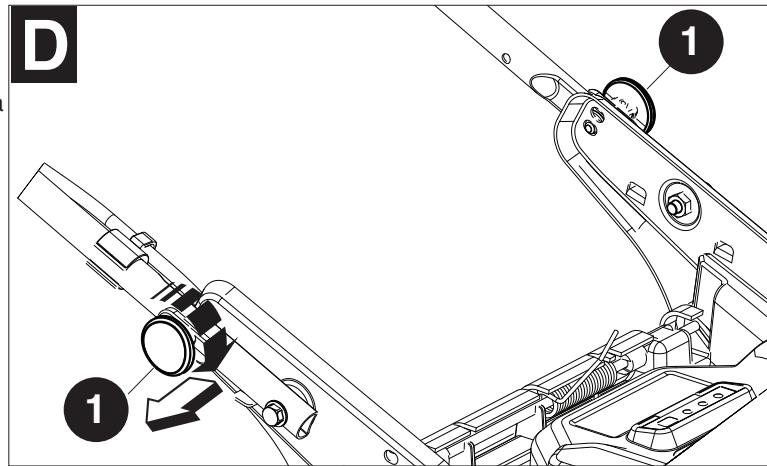
⚠ **PRECAUCIÓN: Punto de pellizco.** Para evitar sufrir pellizcos, mantenga los dedos alejados del área entre el mango y las placas al levantarlo o ajustarlo.



AJUSTE DEL MANGO (FIGURA D)

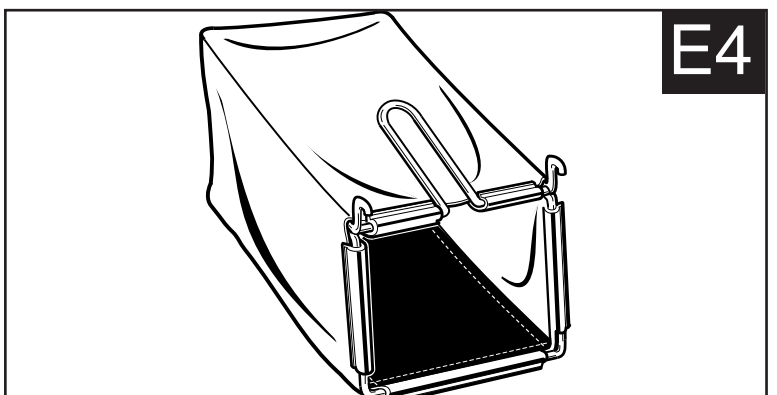
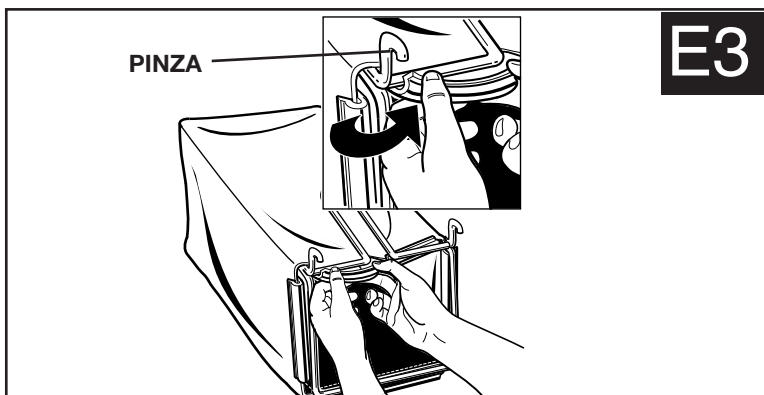
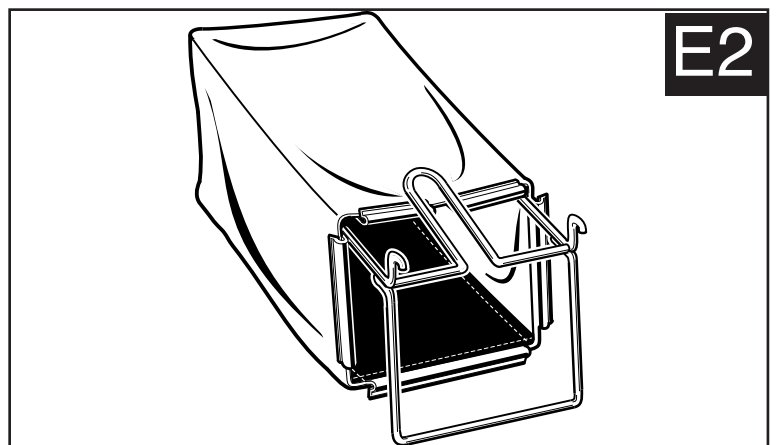
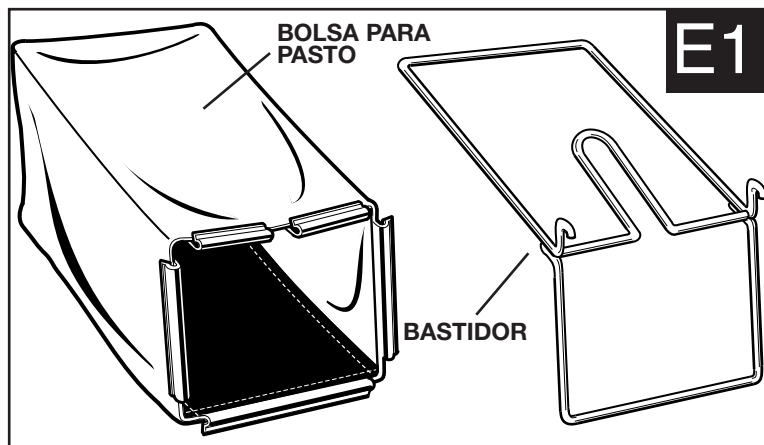
1. Retire la llave de seguridad.
2. Mientras sostiene el mango con una mano, tire hacia afuera una de las perillas de ajuste rápido del mango de la podadora **D-1** y gírela un cuarto de vuelta para soltar la clavija del orificio de la placa metálica. La perilla de **ajuste rápido del mango D-1** permanecerá retraída en esta posición. Repita el procedimiento para la perilla del lado opuesto. En este momento el mango puede moverse libremente a otra altura.
3. Mueva el mango a la altura deseada. Los usuarios de mayor estatura preferirán utilizar la posición del orificio superior, en tanto que los usuarios de menor estatura tal vez prefieran la posición del orificio inferior. Mientras sostiene el mango con una mano, tire hacia afuera una de las perillas de **ajuste rápido del mango D-1** y gírela un cuarto de vuelta para volver a insertar la clavija en el orificio de la placa metálica. Repita el procedimiento para la otra perilla.
4. Sacuda suavemente el mango para asegurar que las clavijas del mango estén completamente insertas antes de utilizar la podadora. No empuje ni utilice la podadora a menos que el mango esté debidamente sujeto y asegurado a ésta. Las perillas de **ajuste rápido del mango D-1** tendrán el aspecto que se muestra en la **Figura D** cuando las clavijas de las perillas estén completamente insertas en las placas.

⚠ **PRECAUCIÓN: Punto de pellizco.** Para evitar sufrir pellizcos, mantenga los dedos alejados del área entre el mango y las placas al levantarlo o ajustarlo.



ENSAMBLADO DEL RECOLECTOR DE CÉSPED (FIGURAS E1, E2, E3, E4)

1. Antes de comenzar a ensamblar la bolsa recolectora de césped en el marco, verifique que ambos sean similares a la **Figura E1**.
2. Deslice la bolsa recolectora de césped sobre el marco como se muestra en la **Figura E2**.
3. Ensamble los sujetadores superiores en el marco como se muestra en la **Figura E3**, luego los dos sujetadores laterales y por último el sujetador inferior.
4. En la **Figura E4**, se muestra el recolector de césped totalmente armado.



AJUSTE DE ALTURA DE LAS RUEDAS DE 38 MM (1-1/2 PULGADAS) A 89 MM (3-1/2 PULGADAS)

FIGURAS F, G

NOTA: Es posible que ciertos tipos de césped o estados de césped requieran variar la altura de la plataforma de la podadora. Los céspedes maduros con frecuencia sufren daños graves cuando se los corta a menos de 38 mm (1-1/2 pulgadas) y es preferible una altura de 38 mm (1-1/2 pulgadas) a 50 mm (2 pulgadas) en jardines grandes.

1. Antes de realizar cualquier ajuste, suelte la palanca del interruptor para apagar la podadora, espere hasta que la hoja se detenga y retire la llave de seguridad.
2. La podadora Black & Decker posee el sistema de ajuste de altura mediante un simple toque. Este sistema ajustará las cuatro ruedas al mismo tiempo.
3. Para elevar o reducir la altura de corte, coloque la palma de la **mano sobre el apoyamanos F-1**, con los dedos, comprima hacia **arriba la empuñadura F-2** y manténgala así.
4. Mientras mantiene la empuñadura levantada, puede elevar o reducir la altura de corte. La podadora posee siete posiciones de ajuste de altura de la hoja. Consulte la **escala G-1** y el **indicador G-2** ubicados en la parte delantera de la podadora. El indicador señalará el ajuste de la altura para el corte de césped. Este valor puede servir como referencia para la próxima vez que desee cortar el césped a la misma altura.

Una vez que establezca la altura que desee en la podadora, sostenga la posición colocando la mano izquierda sobre el mango derecho inferior y con la mano derecha suelte la empuñadura para trabar la posición de ajuste de altura elegida. **Nota:** Para asegurarse de que la plataforma esté bloqueada firmemente en una de las siete posiciones, presione hacia abajo el apoyamanos después de soltar la empuñadura.

BATERÍA

⚠ ATENCIÓN: UTILICE ÚNICAMENTE BATERÍAS DE REPUESTO BLACK & DECKER APROBADAS, COMUNÍQUESE CON SU CENTRO DE MANTENIMIENTO LOCAL O LLAME AL 1-800-544-6986.

La batería tiene un sistema de plomo-ácido sellado de 36 voltios. No hay líquido en el interior de la batería y por ello la podadora/batería se puede guardar en cualquier posición sin riesgo de fugas.

SE RECOMIENDA RECARGAR LA BATERÍA DESPUÉS DEL USO PARA PROLONGAR SU VIDA ÚTIL. LA CARGA FRECUENTE NO DAÑA LA BATERÍA Y, DE ESTA MANERA, USTED SE ASEGURA QUE ESTÉ TOTALMENTE CARGADA PARA LA PRÓXIMA VEZ QUE DESEE UTILIZAR LA PODADORA. SI GUARDA LA BATERÍA SIN CARGARLA COMPLETAMENTE SE ACORTARÁ SU VIDA ÚTIL. CONSULTE LA SECCIÓN DE ALMACENAMIENTO FUERA DE TEMPORADA.

- Cuando la batería no se utiliza, se debe guardar en el modo de carga constante para obtener un rendimiento óptimo.
- La batería debe cargarse en la orientación adecuada.
- Es preferible cargar la batería en un lugar frío y seco.
- No es necesario descargar por completo la batería antes de recargarla.
- Es probable que para una batería nueva recientemente adquirida, se necesiten 2 a 3 ciclos de carga inicial para alcanzar la capacidad máxima de tiempo de funcionamiento.
- Una batería completamente cargada se puede guardar en forma segura hasta a -40 °C (-40 °F).
- La batería no necesita mantenimiento.
- La batería debe utilizarse sólo en la podadora CM1936ZF2 y no debe utilizarse para ningún otro propósito.
- La CM1936ZFC puede utilizar la batería RB3610 o la RB3612 ou RB-3675. La batería no debe utilizarse para ningún otro fin.

RETIRO DE LA BATERÍA DE LA PODADORA: FIGURA H

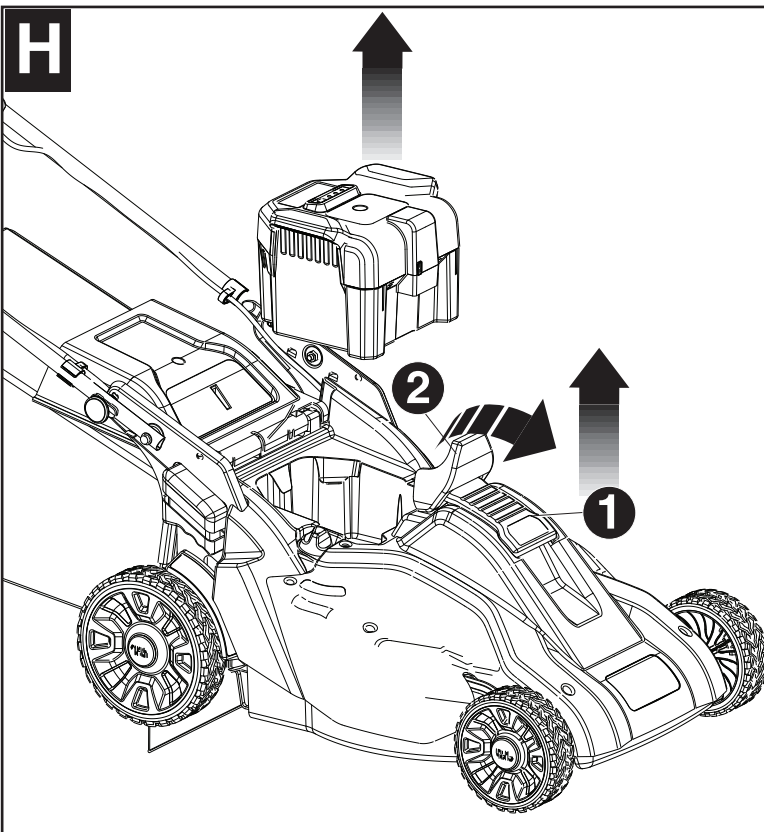
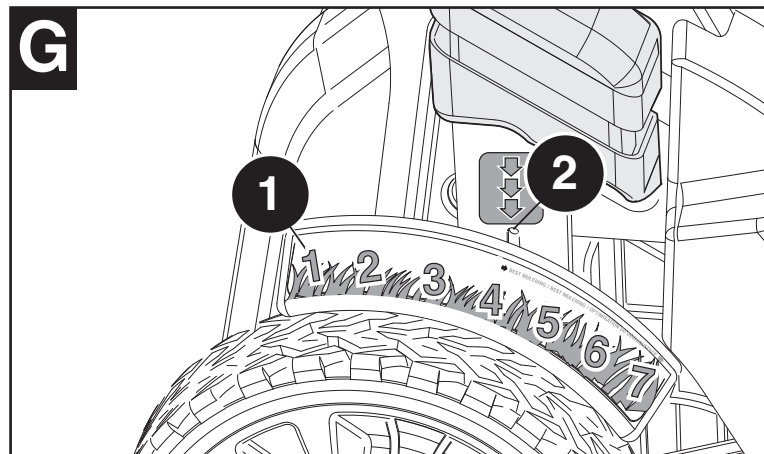
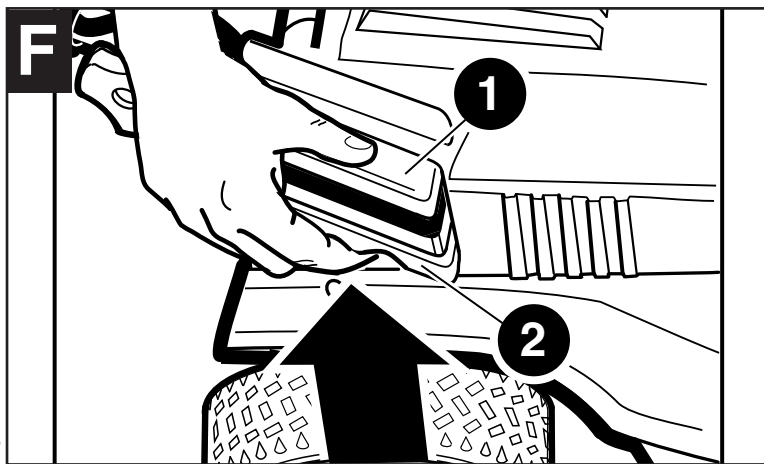
La batería se puede retirar de la podadora para almacenamiento/carga o dejarse en la podadora para cargarla.

Antes de retirar la batería, coloque la podadora sobre suelo plano.

Suelte la palanca del interruptor para apagar la podadora, espere que se detenga la hoja y retire la llave de seguridad.

Para retirar la batería, **levante la palanca H-1** y luego gírela hacia atrás alejándola del paquete de baterías para **soltar el seguro H-2**. Levante y retire el paquete de baterías.

Antes de la instalación del paquete de baterías, asegúrese de que la podadora esté libre de residuos y de que el enchufe del cargador esté desconectado del paquete de baterías.



NORMAS DE SEGURIDAD DEL CARGADOR

INSTRUCCIONES DE SEGURIDAD IMPORTANTES

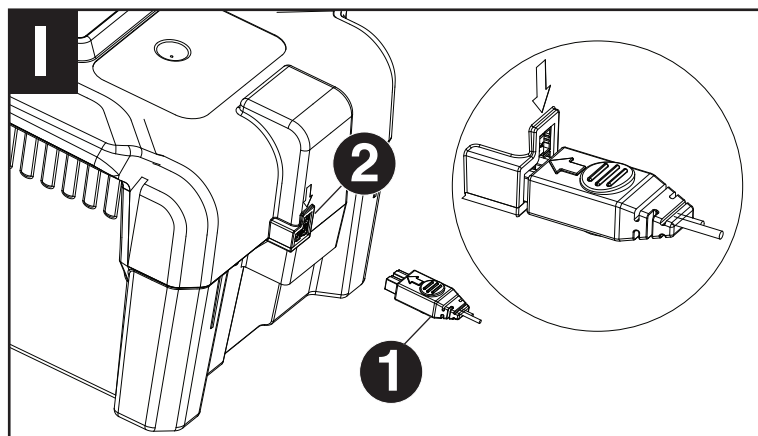
1. CONSERVE ESTAS INSTRUCCIONES: Este manual contiene instrucciones de seguridad y operación importantes para el cargador de baterías modelo FC3600.
2. Antes de utilizar el cargador de baterías, lea todas las instrucciones y marcas preventivas en el cargador de baterías, en la batería y en el producto que utiliza la batería.
3. **⚠ PRECAUCIÓN:** Para reducir el riesgo de lesiones, cargue únicamente baterías Black & Decker recargables del tipo de plomo-ácido sellado de 36 voltios para podadoras. Es posible que otros tipos de baterías estallen y provoquen lesiones personales y daños.
4. Enchufe el cargador directamente en un tomacorriente. **NO MALTRATE EL CABLE.** Nunca transporte el cargador sosteniéndolo por el cable. No tire del cable del cargador para desconectarlo del tomacorriente, de la podadora o de la batería.
5. Ponga el cargador sobre una superficie sólida y asegúrese de que los orificios de ventilación no estén bloqueados.
6. **⚠ ADVERTENCIA:** Para reducir el riesgo de incendios, descargas eléctricas o lesiones personales no intente utilizar este cargador con ningún otro producto. De la misma manera, no intente cargar la batería con ningún otro cargador.
7. No realice el mantenimiento de la podadora si está instalado el cargador, la llave de seguridad o el paquete de baterías.
8. No haga funcionar un cargador dañado. Reemplace de inmediato los cables dañados o el cargador en un centro de mantenimiento Black & Decker autorizado.
9. Siempre realice la carga de la podadora en un área seca a resguardo del clima. No exponga la podadora, la batería o el cargador a la lluvia. No realice la carga en lugares húmedos. No cargue la batería cuando la temperatura sea superior a 40 °C (104 °F) o inferior a 5 °C (41 °F). Retire la batería y cárguela bajo techo si se encuentra por encima o por debajo de estas temperaturas. Cargue la batería en una ubicación bien ventilada.
10. Mantenga la podadora, la batería y el cargador lejos del agua, fuentes de calor (como radiadores, calefactores, estufas, etc.), llamas o productos químicos. Preste atención para no dañar el cable del cargador, manténgalo lejos de bordes filosos.
11. Antes de reinstalar la batería en la podadora, desconecte el enchufe del cargador de la batería, de lo contrario pueden producirse daños.

⚠ ADVERTENCIA: RIESGO DE INCENDIO

SIEMPRE DESCONECTE EL CARGADOR DE LA FUENTE DE ENERGÍA (TOMACORRIENTE DE PARED) ANTES DE RETIRAR EL CONECTOR DEL CARGADOR. EN DETERMINADAS CONDICIONES, CUANDO EL CARGADOR ESTÁ CONECTADO A LA FUENTE DE ENERGÍA, EL CONECTOR AL DESCUBIERTO PUEDE SUFRIR UN CORTOCIRCUITO ANTE LA PRESENCIA DE UN MATERIAL EXTRAÑO Y PROVOCAR UN INCENDIO. SE DEBEN MANTENER LEJOS DEL CONECTOR LOS MATERIALES EXTRAÑOS DE NATURALEZA CONDUCTORA, COMO LA LANA DE ACERO, EL PAPEL DE ALUMINIO O CUALQUIER ACUMULACIÓN DE PARTÍCULAS METÁLICAS. SIEMPRE DESENCHUFE EL CARGADOR ANTES DE INTENTAR LIMPIARLO.

PROCEDIMIENTO DE CARGA: FIGURA I, J, K

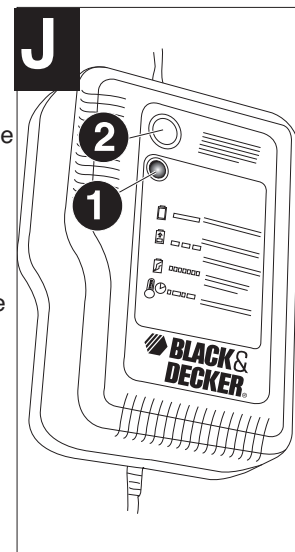
1. Para cargar la podadora, primero quítele la batería.
2. Alinee el enchufe del **cargador I-1** con la flecha en la parte superior e insértelo en el **receptáculo I-2** del paquete de baterías (de terminal azul a terminal azul, de terminal blanco a terminal blanco). El conector del cargador puede enchufarse en la batería únicamente de una forma.
3. Existen dos opciones de velocidad de carga para cargar la batería. El cargador cambiará a la predeterminada velocidad de carga "normal" o regular.



VELOCIDAD DE CARGA NORMAL: Cuando está en este modo, la **luz roja J-1** del cargador debe encenderse para indicar que hay energía y que la batería se está cargando. Verifique la luz roja en el cargador, si no está encendida verifique que la alineación del conector del cargador sea la adecuada (paso 2). Cuando se haya completado la carga, la luz roja debe apagarse y la **luz verde J-1** se encenderá (la carga de una podadora completamente descargada demora aproximadamente 12 horas).

VELOCIDAD DE CARGA RÁPIDA: NOTA: El modo de carga rápida se enciende únicamente si se oprime el botón de **carga rápida J-2**. Utilice este modo únicamente cuando sea necesario para mejorar la finalización de la tarea. Cuando está en este modo, la luz roja J-1 se encenderá y apagará intermitentemente para indicar que la batería se está cargando a una velocidad más rápida. Después de aproximadamente 30 minutos, el ciclo inicial de carga rápida se finaliza y alrededor del 80% de la carga completa está disponible. La luz cambiará a verde intermitente. Después de aproximadamente 3 horas de carga rápida, la batería estará completamente cargada y la luz cambiará a verde constante para indicar un modo de mantenimiento.

4. Se recomienda dejar la batería en carga constante (entre usos) para un rendimiento óptimo durante la temporada de corte del césped.
5. El cargador suministrado con este producto debe enchufarse de manera que quede correctamente orientado en posición de montaje vertical o en el piso.



OPERACIÓN

CONOZCA LA PODADORA

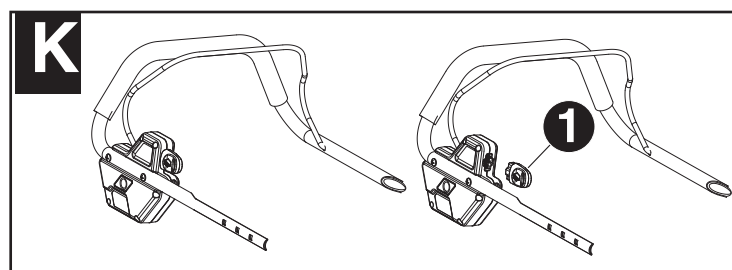
ANTES DE OPERAR LA PODADORA, LEA ESTE MANUAL DE INSTRUCCIONES Y LAS NORMAS DE SEGURIDAD. Consulte "Descripción de las funciones" para familiarizarse con la ubicación de los diversos controles y ajustes. Conserve este manual para futuras consultas.

LLAVE DE SEGURIDAD

⚠ PELIGRO: HOJA MÓVIL FILOSA.

En el diseño de la podadora, se ha incorporado una **llave de seguridad K-1** extraíble para evitar arranques accidentales e impedir el uso no autorizado de la podadora inalámbrica. La podadora queda desactivada por completo cuando se quita la llave de seguridad.

NOTA: LA LLAVE DE SEGURIDAD TIENE UN ORIFICIO EN EL CENTRO PARA COLGARLA DE UN CLAVO, LEJOS DEL ALCANCE DE LOS NIÑOS. NO AMARRE LA LLAVE DE SEGURIDAD A LA PODADORA.



⚠ PELIGRO: LAS HOJAS GIRATORIAS PUEDEN PROVOCAR LESIONES GRAVES. PARA EVITAR LESIONES GRAVES, RETIRE LA LLAVE DE SEGURIDAD CUANDO DEJE LA PODADORA SIN SUPERVISIÓN O CUANDO LA CARGUE, LIMPIE, MANTÉNGA, TRANSPORTE, LEVANTE O GUARDE.

PARA ENCENDER LA PODADORA

Inserte la **llave de seguridad I-1** en el alojamiento del interruptor, hasta que se asiente por completo en el interior del alojamiento. La podadora ahora está lista para usar y se puede arrancar accionando la **palanca del interruptor L-2**.

⚠ PELIGRO: HOJA MÓVIL FILOSA. NUNCA INTENTE ANULAR LA OPERACIÓN DE ESTE INTERRUPTOR Y DEL SISTEMA DE LA LLAVE DE SEGURIDAD YA QUE PUEDEN PRODUCIRSE LESIONES GRAVES.

INTERRUPTOR DE ENCENDIDO/APAGADO (PALANCA DEL INTERRUPTOR): FIGURA L

La podadora tiene un sistema especial de interruptor de encendido/apagado. Para operar el sistema, primero presione el **botón L-1** en el costado del alojamiento del interruptor, luego tire de la **palanca del interruptor (palanca del interruptor) L-2** hasta la **barra del mango L-3**. Para apagar la podadora, simplemente suelte la palanca del interruptor.

Una vez que la palanca del interruptor haya vuelto a su posición original, se activará el "mecanismo de freno automático". El motor se frena eléctricamente y la hoja de la podadora deja de girar en 3 segundos o menos.

SOBRECARGA DE LA PODADORA

Para evitar daños debido a condiciones de sobrecarga, no intente eliminar demasiado césped de una vez. Reduzca el ritmo de corte o eleve la altura del mismo.

CUMPLE CON LOS REQUISITOS DE SEGURIDAD DE LA CPSC.

Las podadoras Black & Decker cumplen con las normas de seguridad del Instituto Nacional de Normalización Estadounidense (American National Standards Institute, ANSI) y de la Comisión de Seguridad de Productos de Consumo (Consumer Product Safety Commission, CPSC) de EE. UU. La hoja gira cuando el motor está en funcionamiento.

PROTECTOR DE SEGURIDAD Y PUERTA TRASERA: FIGURA M

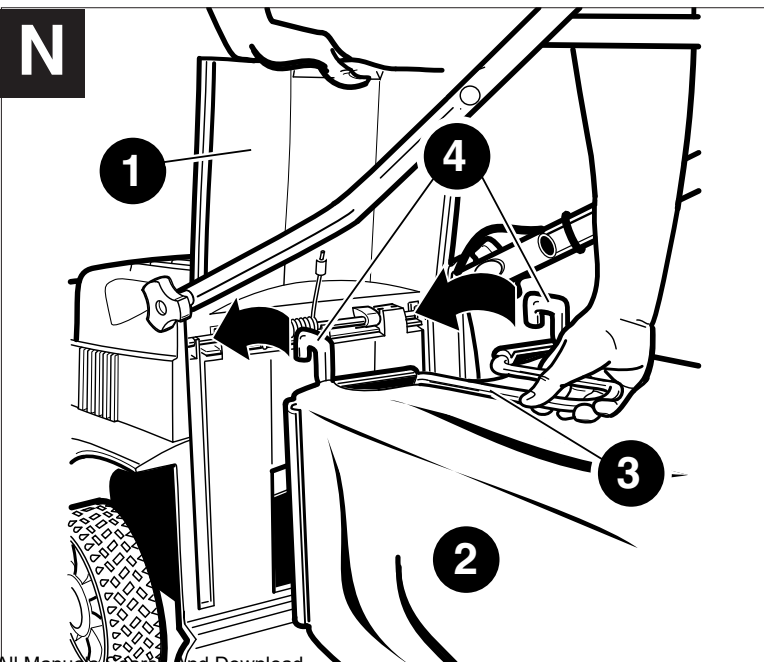
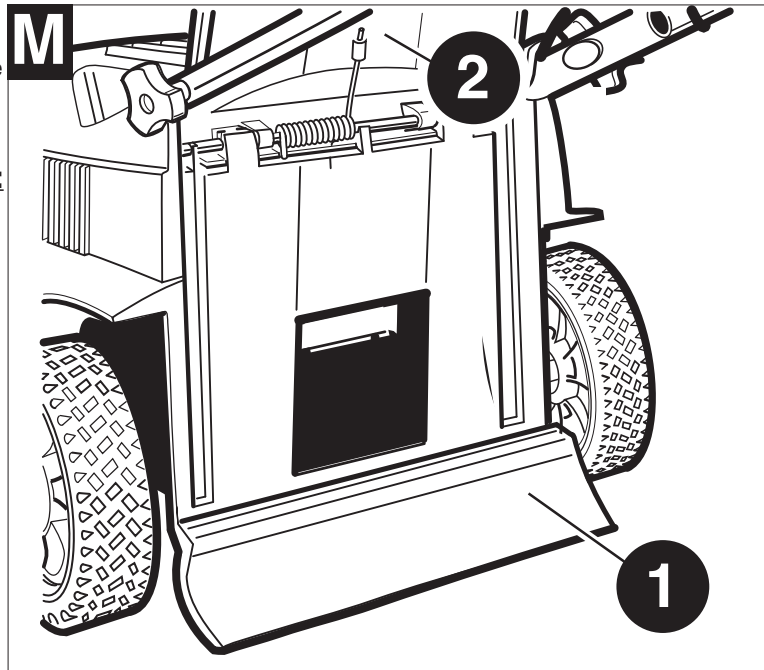
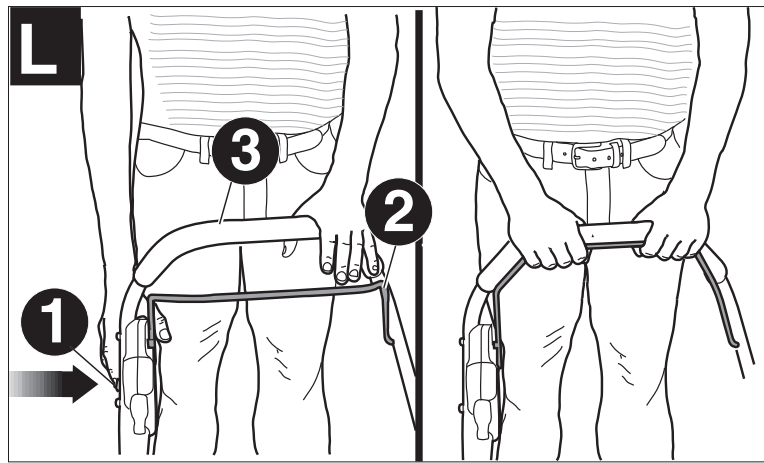
Este **protector de seguridad M-1** está diseñado para minimizar el riesgo de que la hoja de la podadora lance piedras u otros objetos hacia atrás desde debajo de la plataforma. El protector, junto con la **puerta trasera M-2**, minimizan la posibilidad de contacto accidental de los pies con la hoja. NO opere la podadora sin el protector de seguridad y la puerta trasera en su lugar.

⚠ PELIGRO: Hoja móvil filosa. No opere la podadora si la puerta trasera no está cerrada bajo tensión de resorte, ya que podrían producirse lesiones graves. Lleve la podadora al centro de mantenimiento más cercano para reparación.

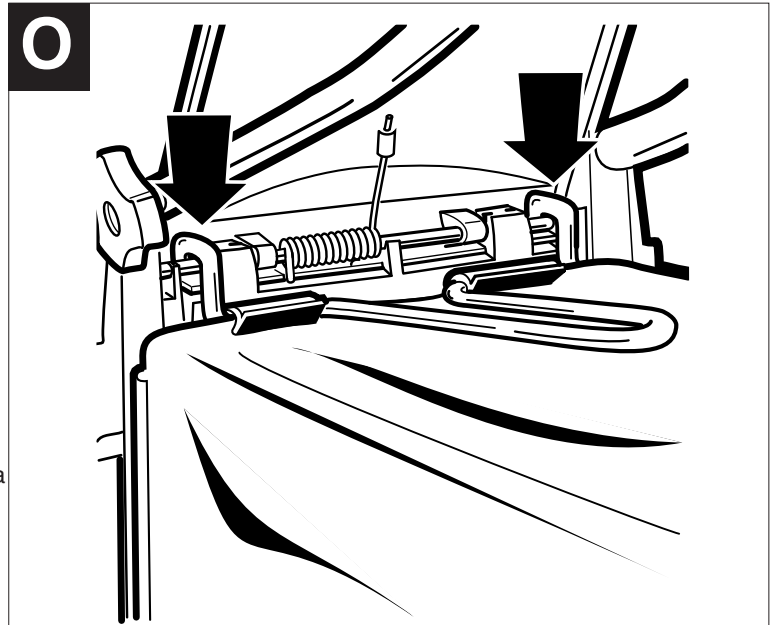
INSTALACIÓN DEL RECOLECTOR DE CÉSPED (FIGURAS N Y O)

1. Suelte el mango de suspensión para apagar la podadora, espere hasta que la hoja se detenga y retire la llave de seguridad.
2. Extendiendo el brazo entre los mangos de la podadora, levante la puerta de **descarga trasera N-1** a la posición vertical y sosténgala así. Asegúrese de haber retirado la pieza para **mantillo N-3**.
3. Tome el **recolector de césped N-2** por el **mango N-3** y ubíquelo entre los mangos de la podadora como se muestra.

4. Coloque los ganchos para colgar el **recolector de césped N-4** sobre la podadora como se muestra en la **Figura O**. Suelte la puerta de descarga trasera.



⚠ PELIGRO: Hoja móvil filosa. Nunca haga funcionar la podadora a menos que los ganchos para colgar del recolector de césped estén debidamente asentados en la podadora y que la puerta de descarga trasera se apoye firmemente contra la parte superior del recolector de césped o podrían producirse graves lesiones.



"OPERACIÓN SEGÚN REQUERIMIENTO"

La podadora puede estar equipada con la característica de operación según requerimiento que permite la conversión de formación de mantillo a recolección en bolsa o descarga con sólo girar una perilla.

Suelte el mango de suspensión para apagar la podadora y espere hasta que la hoja se detenga por completo.

Luego, retire la llave de seguridad.

Modo de descarga:

1. Retire el recolector de césped.
2. Asegúrese de que la puerta de descarga trasera se apoye firmemente contra la plataforma.
3. Oprima y haga girar la perilla de operación según requerimiento de manera que esté alineada con la palabra "DISCHARGE" (Descarga) **P-1** (consulte la Figura P).

En este momento, la podadora está en modo de descarga trasera. El césped cortado se depositará por debajo de la salida de la puerta cerrada sobre el césped.

Modo de recolección en bolsa:

1. Instale el recolector de césped.
2. Asegúrese de que la puerta de descarga trasera se apoye firmemente contra la parte superior del recolector de césped.
3. Oprima y haga girar la perilla de operación según requerimiento de manera que esté alineada con la palabra "BAG" (Bolsa) **P-1** (consulte la Figura P).

En este momento, la podadora está en modo de recolección en bolsa.

Nota: Para cambiar al modo de descarga trasera en este punto, simplemente retire el recolector de césped.

Modo de formación de mantillo:

1. Para convertir al modo de formación de mantillo, oprima y haga girar la perilla de operación según requerimiento de manera que esté alineada con la palabra "MULCH" (Formación de mantillo) **Q-2** (consulte la Figura Q). En este momento, la podadora está en modo de formación de mantillo.

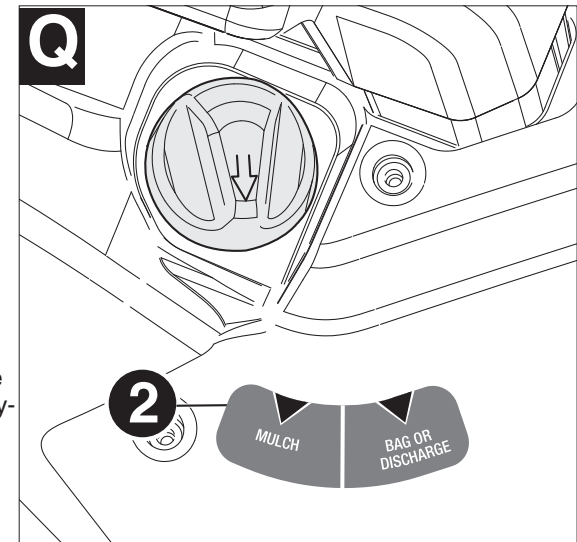
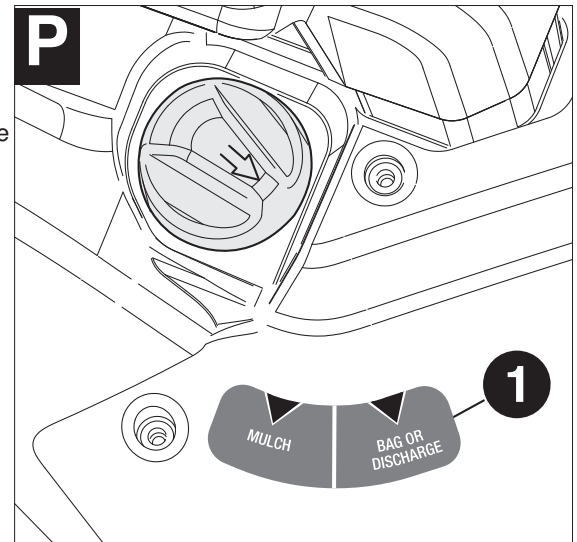
Nota: Si se vuelve difícil hacer girar la perilla de operación según requerimiento, es posible que sea necesario despejar el conducto de la plataforma.

1. Suelte el mango de suspensión para apagar la podadora y espere hasta que la hoja se detenga por completo. Luego, retire la llave de seguridad y el paquete de baterías.
2. Mantenga abierta la puerta de descarga trasera y despeje todo residuo que pueda encontrarse en el conducto de la plataforma. Despeje además la parte inferior de la plataforma según se requiera.

CONSEJOS PARA EL CORTE DE CÉSPED

NOTA: SIEMPRE INSPECCIONE EL ÁREA DONDE VA A UTILIZAR LA PODADORA Y RETIRE TODAS LAS PIEDRAS, PALOS, ALAMBRES, HUESOS Y OTROS RESIDUOS QUE PODRÍAN SER LANZADOS POR LA HOJA EN ROTACIÓN.

1. En las pendientes corte el césped transversalmente, nunca subiéndolas y bajándolas. Sea extremadamente cuidadoso cuando cambie de dirección sobre pendientes. No corte el césped en pendientes demasiado pronunciadas. Siempre mantenga los pies bien apoyados.
2. Suelte la palanca del interruptor para apagar la podadora al cruzar cualquier área con grava (la hoja podría lanzar piedras).
3. Para cortar el césped en terreno escabrosos o con malezas altas, seleccione la máxima altura de corte. Si intenta cortar demasiada cantidad de césped de una vez, puede causar que se sobrecargue el motor y que se detenga. Consulte la guía de solución de problemas.
4. Si se utiliza un recolector de césped durante la estación de crecimiento rápido, es posible que el césped tienda a obstruirse en la abertura de descarga. Suelte la palanca del interruptor para apagar la podadora y retire la llave de seguridad. Retire el recolector y sacúdalo para que el césped caiga hacia el extremo posterior de la bolsa. Además, limpie el césped o los residuos que se hayan compactado alrededor de la abertura de descarga. Vuelva a colocar el recolector de césped.
5. Si la podadora comienza a vibrar en forma anormal, suelte la palanca del interruptor para apagarla y retire la llave de seguridad. Verifique de inmediato para encontrar la causa. La vibración indica un problema. No opere la podadora hasta que no se haya realizado una verificación de mantenimiento. Consulte la guía de solución de problemas en el manual.
6. **SIEMPRE SUELTE LA PALANCA DEL INTERRUPTOR PARA APAGAR LA PODADORA Y RETIRE LA LLAVE DE SEGURIDAD CUANDO LA DEJE SIN SUPERVISIÓN AUNQUE SEA DURANTE UN PERÍODO BREVE.**



LAS SIGUIENTES SUGERENCIAS LE AYUDARÁN A OBTENER UN TIEMPO DE FUNCIONAMIENTO ÓPTIMO DE LA PODADORA INALÁMBRICA:

1. Reduzca la velocidad en las áreas donde el césped esté demasiado alto o sea demasiado tupido.
2. Cuando utilice la pieza para hacer mantillo, no realice cortes de más de 38 mm (1-1/2 pulg.) de altura por vez.
3. Evite cortar el césped cuando está mojado porque ha llovido o ha caído rocío.
4. Corte el césped a menudo, especialmente durante los períodos de crecimiento rápido.

NOTA: SE RECOMIENDA QUE LA PODADORA SE RECARGUE DESPUÉS DEL USO PARA PROLONGAR LA VIDA ÚTIL DE LA BATERÍA. LA CARGA FRECUENTE NO DAÑA LA BATERÍA Y, DE ESTA MANERA, USTED SE ASEGURA QUE ESTÉ TOTALMENTE CARGADA PARA LA PRÓXIMA VEZ QUE DESEE UTILIZAR LA PODADORA. SI GUARDA LA BATERÍA SIN CARGARLA COMPLETAMENTE SE ACORTARÁ SU VIDA ÚTIL.

CONSEJOS PARA EL CORTE DE CÉSPED PARA FORMAR MANTILLO

Black & Decker le envía la podadora con la pieza para mantillo instalada, si no está equipada con la operación según requerimiento. Durante la formación de mantillo, su nueva podadora está diseñada para reducir los recortes de césped a pedazos pequeños y distribuirlos de vuelta sobre el césped. En condiciones normales, el césped aplicado como mantillo se biodegradará con rapidez y proporcionará nutrientes al césped. Revise las siguientes recomendaciones para obtener un óptimo rendimiento de formación de mantillo.

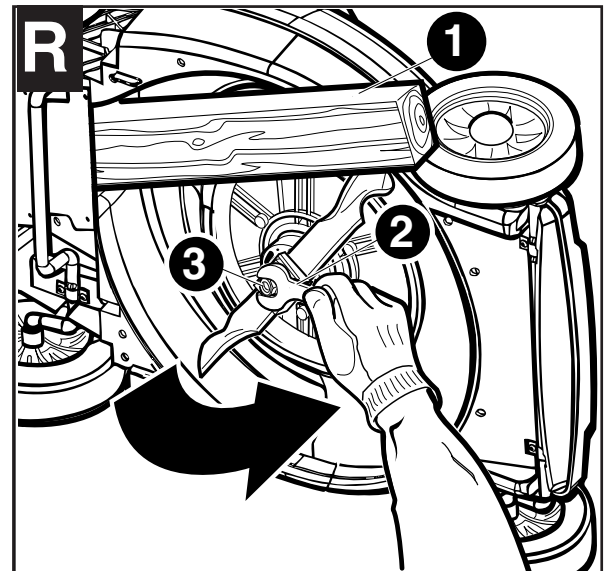
1. Evite cortar el césped cuando está mojado porque ha llovido o ha caído rocío. El césped mojado puede formar aglomeraciones que interferirán con la acción del mantillo y reducirán el tiempo de funcionamiento. La mejor hora para cortar el césped es al final de la tarde porque está seco y el área recién cortada no quedará expuesta a la luz solar directa.
2. Para lograr el mejor rendimiento de la formación de mantillo, ajuste la altura de corte para eliminar alrededor de un tercio de la longitud de la brizna de césped, en forma ideal no más de 38,1 mm (1-1/2 pulgadas) a la vez. Si el césped está muy crecido, es posible que sea necesario aumentar la altura de corte para reducir el esfuerzo de empuje y evitar la sobrecarga del motor. Ralentice el ritmo de corte en condiciones de césped alto o grueso. Para una formación de mantillo extremadamente abundante, es recomendable hacer un primer corte utilizando un ajuste alto de la altura de corte y luego volver a cortar utilizando la altura de corte final. Otra opción es realizar cortes más angostos y llevarlos a cabo lentamente. **SIEMPRE ASEGÚRESE DE QUE LA HOJA ESTÉ AFILADA.**
3. Para obtener el mejor rendimiento, mantenga el alojamiento de la podadora libre de césped acumulado. Cada cierto tiempo, suelte la palanca del interruptor para apagar la podadora y espere hasta que se detenga la hoja por completo. Luego, retire la llave de seguridad y el paquete de baterías y voltee la podadora sobre su costado. Utilizando un objeto como un palo, limpie toda acumulación de césped en la zona de la hoja. Tenga cuidado con los bordes filosos de la hoja. Límpiela frecuentemente cuando corte césped primaveral húmedo y siempre después de cada uso.
4. Es posible que ciertos tipos de césped o estados del mismo requieran que se realice el mantillo por segunda vez para dispersar completamente el césped por el jardín. Si se corta por segunda vez, es recomendable cortar perpendicularmente (transversalmente) al primer patrón de corte. **NO CAMBIE EL PATRÓN DE CORTE DE NINGUNA MANERA QUE LE OBLIGUE A CORTAR EL CÉSPED BAJANDO UNA PENDIENTE.**
5. Cambie su patrón de corte de una semana a otra. Esto ayudará a evitar el apelmazamiento del césped.

MANTENIMIENTO

IMPORTANTE: Para asegurar la SEGURIDAD y CONFIABILIDAD del producto, las reparaciones, el mantenimiento y el ajuste (incluida la inspección y reemplazo de los cepillos) deben realizarlos los centros de mantenimiento de BLACK & DECKER u otras organizaciones de mantenimiento calificadas, siempre utilizando piezas de repuesto de Black & Decker. Al realizar el mantenimiento utilice SÓLO PIEZAS DE REPUESTO IDÉNTICAS.

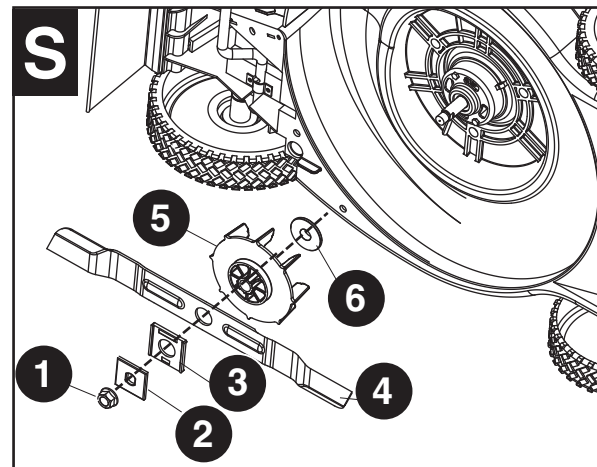
RETIRO E INSTALACIÓN DE LA HOJA: FIGURA R

1. SUELTE LA PALANCA DEL INTERRUPTOR PARA APAGAR LA PODADORA, ESPERE HASTA QUE LA HOJA SE DETENGA Y RETIRE LA LLAVE DE SEGURIDAD Y EL PAQUETE DE BATERÍAS.
2. Corte un trozo de madera **R-1 de 2 x 4** (aproximadamente 610 mm [2 pies] de largo) para evitar que la hoja gire al retirar la tuerca de brida.
3. Voltee la podadora sobre su costado. Use guantes y protección adecuada para los ojos. Tenga cuidado con los bordes filosos de la hoja. Coloque la **madera R-1** y retire la **tuerca de brida R-3** con una llave de **19 mm (3/4 pulgada) R-2** como se muestra en la **Figura R**.



4. Retire el espaciador **metálico cuadrado de la hoja S-2**, el aislador **plástico cuadrado de la hoja S-3** y la **hoja S-4** como se muestra en la **Figura S**. Examine si el aislador de la hoja presenta daños y reemplácelo si es necesario.

5. Cuando vuelva a colocar una hoja afilada o nueva sobre el resalto del **ventilador S-5**, asegúrese de que el lado "GRASS SIDE" (lado del césped) de la hoja quede mirando hacia el suelo cuando la podadora se devuelva a su posición vertical normal. Después de instalar la **hoja S-4**, coloque el aislador plástico de la **hoja S-3** sobre la hoja de modo que los rebordes elevados de un lado enganchen con los bordes de la hoja. Luego, instale el espaciador de la **hoja S-2** de modo que se asiente dentro de los rebordes elevados sobre el otro lado del aislador de la hoja. Asegúrese de alinear las partes planas del agujero del espaciador de la hoja con las partes planas del eje, girando en conjunto la hoja y el aislador de la hoja, según sea necesario.



6. Coloque la pieza de **madera T-1** para evitar que la hoja gire como se muestra en la **Figura T**. Instale la tuerca de brida con la brida contra el espaciador de la hoja y ajústela firmemente.

AFILADO DE LA HOJA

MANTENGA LA HOJA AFILADA PARA OBTENER EL MEJOR RENDIMIENTO DE LA PODADORA. UNA HOJA DESAFILADA NO PRODUCE UN CORTE LIMPIO DEL CÉSPED NI CORTES ADECUADOS PARA MANTILLO.

UTILICE PROTECCIÓN ADECUADA PARA LOS OJOS MIENTRAS RETIRA, AFILA E INSTALA LA HOJA. VERIFIQUE QUE SE HAYA RETIRADO LA LLAVE DE SEGURIDAD Y EL PAQUETE DE BATERÍAS.

En circunstancias normales, generalmente es suficiente afilar la hoja dos veces durante una temporada de corte del césped. La arena hace que la hoja se desafilé rápidamente. Si su césped tiene un suelo arenoso, es probable que se requiera un afilado más frecuente.

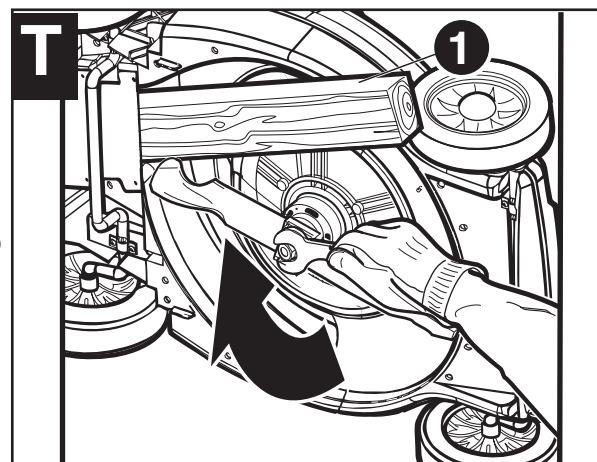
REEMPLACE DE INMEDIATO UNA HOJA DOBLADA O DAÑADA.

AL AFILAR LA HOJA:

1. Asegúrese de que la hoja se mantenga simétrica.
2. Afile la hoja según el ángulo de corte original.
3. Afile los bordes de corte en ambos extremos de la hoja, retirando la misma cantidad de material en ambos extremos.

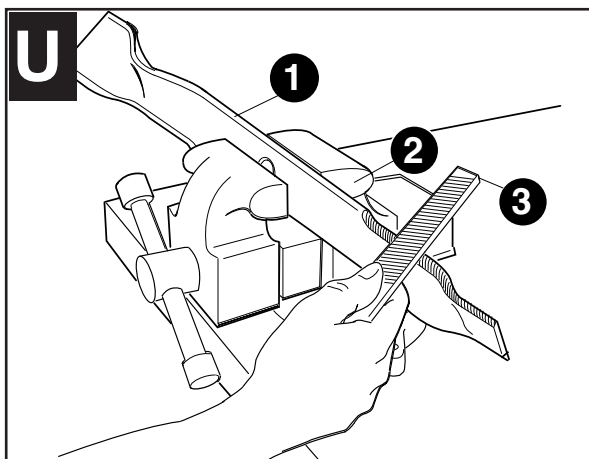
PARA AFILAR LA HOJA EN UNA PRENSA:

1. Asegúrese de soltar la palanca del interruptor, que la hoja se haya detenido y que la llave de seguridad y el paquete de baterías se hayan retirado antes de quitar la hoja.
2. Retire la hoja de la podadora. Consulte las instrucciones para retirar e instalar la hoja.
3. Asegure la **hoja U-1** en una **prensa U-2**.
4. Use guantes y protección adecuada para los ojos, y tenga cuidado de no cortarse.
5. Lime cuidadosamente los bordes de corte de la hoja con una lima de **dientes finos U-3** o una piedra de afilar, manteniendo el borde de corte original.
6. Verifique la simetría de la hoja. Consulte las instrucciones para simetría de la hoja.
7. Vuelva a colocar la hoja en la podadora y ajústela firmemente.



SIMETRÍA DE LA HOJA

Verifique la simetría de la hoja colocando el agujero central de la **hoja V-1** sobre un clavo o un destornillador de **vástago redondo V-2**, sujeto horizontalmente en una **prensa V-3**. Si alguno de los extremos de la hoja gira hacia abajo, lime ese extremo. La hoja tiene una simetría



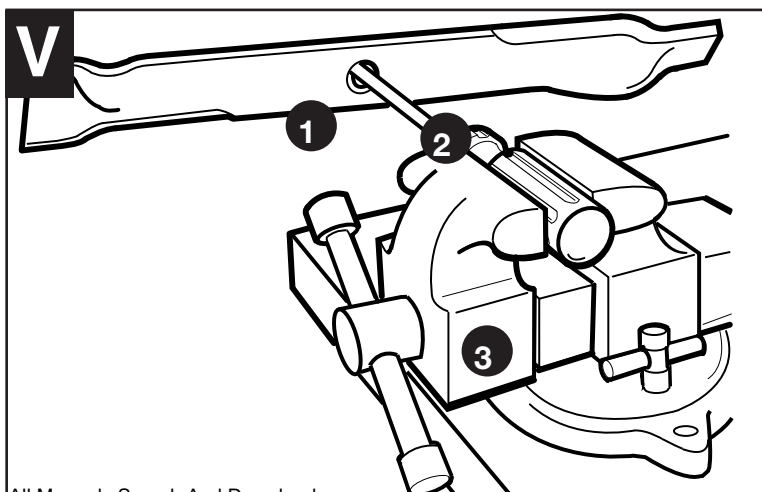
LUBRICACIÓN

No se necesita ningún tipo de lubricación. No aceite las ruedas. Tienen superficies plásticas en los rodamientos que no requieren lubricación alguna.

LIMPIEZA

Suelte el mango de suspensión para apagar la podadora, espere hasta que la hoja se detenga y luego retire la llave de seguridad y el paquete de baterías. Para limpiar la podadora, utilice únicamente jabón suave y un paño húmedo. Despeje todo recorte que pueda haberse acumulado por debajo de la plataforma y en el conducto de descarga. Después de varios usos, verifique el ajuste de todos los elementos de fijación expuestos. Asegúrese de que los terminales y el compartimiento de baterías de la podadora estén libres de residuos.

PREVENCIÓN DE LA CORROSIÓN



Los fertilizantes y otros productos químicos para el jardín contienen agentes que aceleran considerablemente la corrosión de los metales. Si corta el césped en áreas donde se han utilizado fertilizantes o productos químicos, se debe limpiar la podadora inmediatamente después del modo siguiente: (1) suelte la palanca del interruptor para apagar la podadora y retire la llave de seguridad y el paquete de baterías, (2) limpie todas las piezas expuestas con un paño húmedo. **⚠ PRECAUCIÓN:** NO VIERTA NI ROCÍE AGUA SOBRE LA PODADORA PARA LIMPIARLA. No guarde la herramienta sobre o junto a fertilizantes o productos químicos. Dicho almacenamiento puede provocar una rápida corrosión.

TRANSPORTE Y ALMACENAMIENTO

⚠ PELIGRO: Una hoja que gira puede provocar lesiones graves. Suelte la palanca del interruptor para apagar la podadora y retire la llave de seguridad antes de levantarla, transportarla o almacenarla. Guarde la unidad en un lugar seco. Nota: La podadora no será tan pesada si primero se retira el paquete de baterías. No utilice el seguro como un punto para levantar la podadora. No levante la podadora sujetándola por las asas de la batería.

⚠ ADVERTENCIA: La podadora no debe levantarse por el mango cuando esté en la posición de almacenamiento. Utilice las placas laterales metálicas y la plataforma como puntos de agarre.

POSICIÓN DE ALMACENAMIENTO

Para un almacenamiento más compacto, la podadora puede guardarse en posición vertical, con el mango plegado como se muestra en la **Figura W**. La podadora también se puede cargar en esta posición vertical.

Ponga la podadora en una posición de almacenamiento cómoda:

1. Retire la llave de seguridad.
2. Mientras sostiene el mango con una mano, tire hacia afuera una de las perillas de ajuste rápido del mango de la podadora y gírela un cuarto de vuelta para soltar la clavija del orificio de la placa metálica. La perilla de ajuste rápido del mango permanecerá retraída en esta posición. Repita el procedimiento para la perilla de ajuste rápido del mango del lado opuesto. En este momento el mango puede moverse libremente a otra altura.
3. Mueva el mango hacia adelante sobre la parte delantera de la podadora.
4. Tire hacia afuera una de las perillas de ajuste rápido del mango y gírela un cuarto de vuelta para volver a insertar las clavijas en los orificios de las placas metálicas. Sacuda suavemente el mango para asegurar que las clavijas del mango estén completamente insertas en las placas metálicas.
5. En este momento, la podadora puede hacerse girar de vuelta sobre sus ruedas traseras como se muestra en la **Figura W**.
6. Tenga cuidado de no pellizcar el cable de alimentación al plegar y desplegar el mango.

PRECAUCIÓN: Si el mango no está en la posición bloqueada en la posición de almacenamiento vertical, el mango puede caer hacia atrás y provocar lesiones o daños. Apoye el lado de la hoja contra una pared vertical.

⚠ PRECAUCIÓN: Punto de pellizco. Para evitar sufrir pellizcos, mantenga los dedos alejados de la zona entre los mangos al bajar.

ALMACENAMIENTO FUERA DE TEMPORADA

1. Para asegurar un rendimiento óptimo en climas más cálidos, se recomienda mantener la batería en carga constante.
2. La podadora se puede guardar con el cargador desconectado si se cumplen todas las condiciones siguientes:
 - la batería está completamente cargada antes de guardarla. (Si no se guarda completamente cargada se acortará la vida útil de la batería).
 - la temperatura promedio del lugar de almacenamiento es inferior a 10 °C (50 °F).
 - el tiempo en almacenamiento es inferior a 6 meses.

MANTENIMIENTO E INSTALACIÓN DE LA BATERÍA

Cuando se requiere mantenimiento o reparación, se recomienda llevar la podadora a un centro de mantenimiento autorizado de Black & Decker. Cada vez que realice el mantenimiento o el reemplazo de las baterías, tenga en cuenta lo siguiente:

- Utilice sólo el mismo tipo y tamaño de batería provistos originalmente.
- No arroje las baterías al fuego. La celda puede explotar. Consulte la información de reciclado de baterías a continuación.
- No abra ni dañe las baterías. El electrolito liberado es corrosivo y puede provocar lesiones en los ojos o la piel. Puede ser tóxico si se ingiere.
- Tenga cuidado al manipular las baterías para no producir un cortocircuito de éstas con materiales conductores como anillos, pulseras y llaves. La batería o el conductor pueden sobrecalentarse y provocar quemaduras.

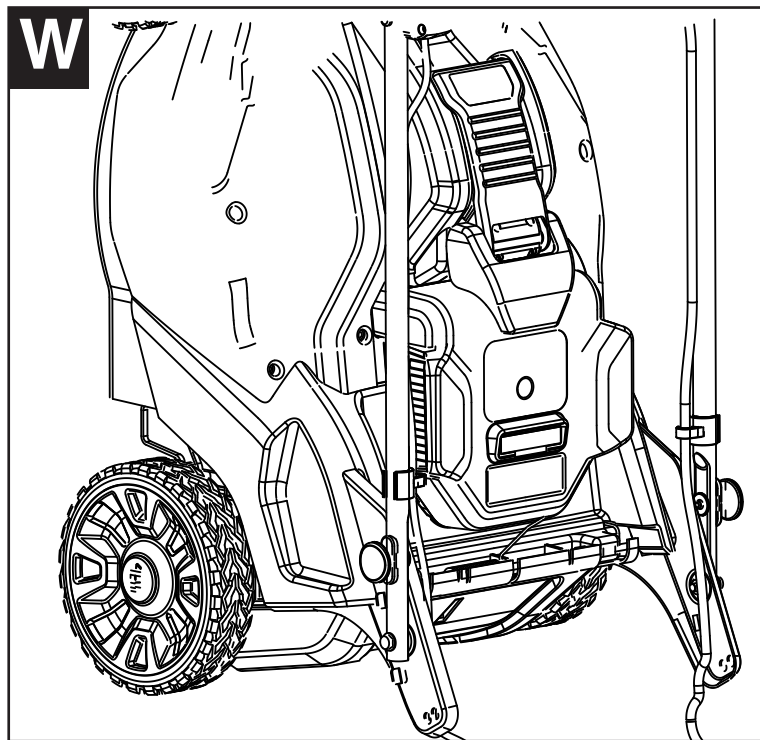
EL SELLO RBRC™ (RECICLADO DE BATERÍAS)

El sello RBRC™ (Corporación de reciclado de baterías recargables) que se encuentra sobre la batería (o paquete de baterías) de plomo-ácido indica que Black & Decker ya ha pagado los costos para reciclar la batería (o paquete de baterías) al final de su vida útil. En algunas zonas, es ilegal arrojar las baterías usadas de plomo-ácido en la basura o en el flujo municipal de desechos sólidos. El programa RBRC proporciona una alternativa de conciencia sobre el cuidado del medio ambiente.

La RBRC en cooperación con Black & Decker y otros usuarios de baterías, ha establecido programas en los Estados Unidos y Canadá para facilitar la recolección de baterías usadas de plomo-ácido. Ayude a proteger nuestro medio ambiente y a conservar los recursos naturales devolviendo la batería de plomo-ácido a un centro de mantenimiento autorizado de Black & Decker o al comerciante minorista local para que sean recicladas. También puede comunicarse con el centro de reciclado local para obtener información sobre dónde dejar las baterías usadas o llame al **1-800-544-6986**.

Accesorios

Los accesorios recomendados para uso con la podadora están disponibles en su distribuidor local o centro de mantenimiento autorizado. Si necesita



⚠ ADVERTENCIA: El uso de cualquier accesorio no recomendado para uso con esta herramienta puede resultar peligroso.

Nº de pieza 242501-05 BOLSA RECOLECTORA DE CÉSPED DE REPUESTO

MB-1200 HOJA DE REPUESTO

PAQUETE DE BATERÍAS RB-3610 O RB-3612 O RB-3675

CARGADOR RÁPIDO FC3600

A CONTINUACIÓN, LE BRINDAMOS ALGUNOS CONSEJOS ÚTILES PARA APROVECHAR AL MÁXIMO SU PODADORA INALÁMBRICA BLACK & DECKER... Y PARA QUE SU CÉSPED LUZCA HERMOSO

1. El primer corte debe realizarse en la primavera cuando el césped tiene alrededor de 63 a 76 mm (2-1/2 a 3 pulgadas) de alto. De lo contrario, si se corta el césped demasiado temprano, se limitan los sistemas radicales que se autorenuevan en cada primavera. El césped nuevo debe cortarse cuando alcance alrededor de 63 mm (2-1/2 pulgadas) de alto.
2. No corte el césped de una altura excesiva de una sola vez... la pauta a seguir es no cortar nunca más de 1/3 de la altura de la hoja durante cada sesión de corte. El corte de césped demasiado corto afecta a las hojas demasiado sensibles, produciendo un sistema radicular poco profundo, lo que hace más difícil que el césped alcance el agua en el suelo.
3. Los especialistas en césped indican que el corte excesivamente corto es la causa de muchas de las dificultades que se observan en el crecimiento de céspedes. La profundidad y la fortaleza de las raíces tienen una relación directamente proporcional al crecimiento. Los céspedes maduros con frecuencia sufren daños graves cuando se los corta a menos de 38 mm (1-1/2 pulgadas) y es preferible una altura de 38 mm (1-1/2 pulgadas) a 50 mm (2 pulgadas) en jardines grandes.
4. Corte el césped cuando está seco para evitar la compactación del césped húmedo. Si puede elegir, la última hora de la tarde es la hora ideal para cortar el césped, no sólo porque el pasto está seco sino porque además el área recientemente cortada no queda expuesta a la intensa luz solar.
5. Para lograr un corte limpio, mantenga la hoja de corte afilada. Esto optimiza el rendimiento de la podadora y realza el aspecto de su césped. Una hoja sin filo destroza y lastima las puntas del césped. Esto perjudica el crecimiento saludable del césped e incrementa la sensibilidad a enfermedades del mismo. Si se lastiman las puntas esto provoca un color pardusco que da al césped un aspecto poco saludable. Una hoja sin filo también puede arrancar los nuevos brotes.
6. Trate de cortar el césped siempre a la misma altura de corte (corte uniforme). Si bien hay momentos en que debe variar la altura de corte debido al cambio de estaciones, también, respetar una altura de corte uniforme, produce un césped más sano, de mejor aspecto y con menor cantidad de malezas. Corte el césped más frecuentemente durante los períodos de crecimiento rápido. El corte frecuente garantiza que la porción inferior, menos atractiva del césped no sea visible.
7. Si su césped ha crecido a una altura excesiva (por ejemplo, las vacaciones pueden ocasionar la interrupción de su programa de cortes), realice el corte con una altura una o dos posiciones más altas que la posición habitual. Una segunda pasada con una altura de corte "normal" unos días más tarde será suficiente para volver al programa de corte habitual. El cambio de la altura de corte es sumamente sencillo gracias al sistema Black & Decker de ajuste de altura de ruedas de un solo toque, este sistema permite ajustar las cuatro ruedas de una sola vez.
8. Durante la primavera y el otoño, (o después de una interrupción del programa de cortes), el césped estará más largo y más tupido. Si percibe que el motor reduce su velocidad continuamente durante la sesión de corte, intente ajustar las ruedas a una altura mayor de corte. Sobrecargar el motor de manera excesiva, puede resultar en cortes dispares y una descarga más rápida de la batería.
9. Tres buenas ideas para realzar el aspecto del césped: Varíe la dirección de corte con frecuencia, corte en dirección horizontal en las laderas (esto es también una buena práctica de seguridad) y no se olvide de solapar el recorrido de corte en cada pasada.
10. Siempre corte el césped para que los recortes se descarguen sobre el terreno cortado. Esto hará que el césped mantenga un aspecto fresco al evitarse la acumulación de "césped cortado" que con el tiempo se volverá marrón y dará un aspecto desagradable. Este método también conserva la carga de la batería y le permite obtener el máximo de su podadora eléctrica inalámbrica Black & Decker.
11. Durante las estaciones de primavera y otoño, cuando el césped está más alto y más tupido, puede utilizar la podadora sin necesidad de recargar completamente la batería (es decir, cuando la luz verde indicadora de carga está encendida). Esto le permitirá realizar tareas breves de corte, pero no recomendamos que lo haga con frecuencia. La batería y la podadora tienen mejor rendimiento con carga completa.

Información de mantenimiento

Todos los Centros de mantenimiento de Black & Decker cuentan con personal altamente capacitado dispuesto a brindar a todos los clientes un servicio eficiente y confiable en la reparación de herramientas eléctricas. Si necesita consejo técnico, reparaciones o piezas de repuesto originales de fábrica, póngase en contacto con el centro de mantenimiento de Black & Decker más cercano a su domicilio. Para ubicar su centro de servicio local, consulte la sección "Herramientas eléctricas" (Tools-Electric) de las páginas amarillas, llame al **1-800-544-6986** o visite nuestro sitio www.blackanddecker.com.

GARANTÍAS

Garantía completa de dos años para uso en el hogar

Black & Decker (Estados Unidos) Inc. ofrece una garantía de dos años por cualquier defecto del material o de fabricación de este producto. El

GUÍA DE SOLUCIÓN DE PROBLEMAS

PROBLEMA	SOLUCIÓN
1. La podadora no funciona al activar la palanca de seguridad.	<p>A. Verifique para asegurarse de que la llave de seguridad ha sido instalada y está completamente asentada, y que el botón del alojamiento del interruptor esté completamente oprimido.</p> <p>B. Suelte la palanca del interruptor para apagar la podadora. Retire la llave de seguridad y el paquete de baterías, voltee la podadora y verifique que la hoja pueda girar libremente.</p> <p>C. Verifique que la cavidad de la batería esté libre de residuos y correctamente conectada.</p> <p>D. ¿Se ha cargado la batería por completo? Enchufe el cargador y espere hasta que se encienda la luz verde.</p>
2. El motor se detiene mientras está cortando el césped.	<p>A. Suelte la palanca del interruptor para apagar la podadora. Retire la llave de seguridad y el paquete de baterías. Voltee la podadora y verifique que la hoja pueda girar libremente.</p> <p>B. Eleve la altura de corte de las ruedas a la posición más alta y encienda la podadora.</p> <p>C. Verifique que la cavidad de la batería esté libre de residuos y correctamente conectada.</p> <p>D. ¿Se ha cargado la batería por completo? Enchufe el cargador y espere hasta que se prenda la luz verde.</p> <p>E. Evite sobrecargar la podadora. Reduzca el ritmo de corte o eleve la altura de corte</p>
3. La podadora funciona, pero el rendimiento de corte no es satisfactorio o no corta el césped en su totalidad.	<p>A. ¿Se ha cargado la batería por completo? Enchufe el cargador y espere hasta que se prenda la luz verde.</p> <p>B. Suelte la palanca del interruptor para apagar la podadora. Retire la llave de seguridad y el paquete de baterías. Voltee la podadora y verifique que: El filo de la hoja. Mantenga la hoja afilada. No haya obstrucciones en la plataforma o en el conducto de descarga</p> <p>C. Es posible que el ajuste de altura de las ruedas se haya fijado demasiado bajo para el estado del césped. Eleve la altura de corte.</p>
4. Cuesta mucho empujar la podadora.	<p>A. Eleve la altura de corte para reducir el rozamiento de la plataforma contra el césped. Verifique que cada rueda gire libremente.</p>
5. La podadora produce vibraciones y ruidos anormales.	<p>A. Suelte la palanca del interruptor para apagar la podadora. Retire la llave de seguridad y el paquete de baterías. Voltee la podadora sobre el costado y verifique la hoja para asegurarse de que no esté doblada o dañada. Si la hoja está dañada, reemplácela por una hoja de repuesto Black & Decker. Si la parte inferior de la plataforma está dañada, envíe la podadora a un centro de mantenimiento autorizado de Black & Decker.</p> <p>B. Si no hay daños visibles en la hoja y la podadora aún vibra, es posible que la hoja necesite balancearse. Consulte el manual para el balanceo de la hoja. Si la podadora aún vibra después de balancear la hoja, suelte el mango de suspensión para apagar la unidad, retire la llave de seguridad y el paquete de baterías, y retire la hoja. Haga girar la hoja 180 grados y vuelva a ajustarla. Si la podadora aún vibra, envíela a un centro de mantenimiento autorizado de Black & Decker.</p>
6. El LED del cargador de la batería no se enciende.	<p>A. Verifique la conexión del enchufe. Desenchufe el cargador y espere unos cuantos segundos. Enchufe nuevamente el cargador para ver si se enciende la luz LED.</p> <p>B. El puerto de carga del paquete de baterías es accesible únicamente cuando éste se ha quitado de la podadora. Compruebe el puerto de carga para ver si se enciende el LED del cargador.</p> <p>C. Reemplace el cargador.</p>
7. El LED del cargador de la batería no cambia a verde.	<p>A. Desenchufe el cargador y espere unos cuantos segundos. Vuelva a enchufarlo y déjelo cargando durante un mínimo de 8 horas a velocidad normal o una hora en velocidad de carga rápida (luz verde intermitente).</p> <p>B. Si la luz LED del cargador no es verde, es posible que la batería necesite someterse a un diagnóstico. Llévela a un centro de mantenimiento autorizado.</p>

PROBLEMA

8. La podadora no recoge los recortes de césped con la bolsa.

SOLUCIÓN

- A. El conducto está obstruido. Suelte la palanca del interruptor para apagar la podadora. Retire la llave de seguridad y el paquete de baterías. Elimine los recortes de césped del conducto.
- B. Demasiado césped cortado. Eleve la altura de corte de las ruedas para acortar la longitud del corte.
- C. La bolsa está llena. Vacíe la bolsa con mayor frecuencia.

9. Al realizar el mantillo los recortes quedan a la vista.

- A. Demasiado césped cortado. Eleve la altura de corte de las ruedas para acortar la longitud del corte. No corte más de 1/3 de la longitud total.
- B. Verifique el filo de la hoja. Siempre mantenga la hoja afilada.

10. En podadoras equipadas con operación según requerimiento: Es difícil ajustar la perilla en posición.

- A. Es posible que el conducto de la plataforma esté muy obstruido. Suelte el mango de suspensión para apagar la podadora. Retire la llave de seguridad y el paquete de baterías. Despeje los recortes de césped del conducto.

NOTA

En caso de que la luz roja permanezca encendida después de cargar la batería durante 24 horas en la carga inicial, la podadora puede utilizarse de todos modos. Es probable que la batería necesite "acondicionarse" a través de algunos ciclos de carga y descarga antes de que se encienda la luz verde.

ESTA GUÍA SÓLO TIENE POR OBJETO PODER REALIZAR CONTROLES VISUALES Y PRUEBAS SENCILLAS. EN CASO DE QUE NINGUNA DE LAS SOLUCIONES SEA SATISFACTORIA O MEJORE EL RENDIMIENTO LLAME AL 1-800-544-6986 (1-800-54-HOW-TO) PARA HABLAR CON UN REPRESENTANTE DE ATENCIÓN AL CONSUMIDOR O LLEVE ESTA PODADORA AL CENTRO DE MANTENIMIENTO AUTORIZADO BLACK & DECKER MÁS CERCANO PARA REALIZAR EL MANTENIMIENTO.

producto defectuoso se reparará o reemplazará sin costo alguno de dos maneras.

La primera opción, el reemplazo, es devolver el producto al comercio donde se lo adquirió (siempre y cuando se trate de un comercio participante). Las devoluciones deben realizarse conforme a la política de devolución del comercio (generalmente, entre 30 y 90 días posteriores a la venta). Le pueden solicitar comprobante de compra. Consulte en el comercio acerca de la política especial sobre devoluciones una vez excedido el plazo establecido.

La segunda opción es llevar o enviar el producto (con flete pago) a un Centro de mantenimiento propio o autorizado de Black & Decker para su reparación o reemplazo según nuestro criterio. Le pueden solicitar el comprobante de compra. Los Centros de mantenimiento autorizados y de propiedad de Black & Decker se detallan en la sección

"Herramientas eléctricas" (Tools-Electric) de las páginas amarillas de la guía telefónica.

Esta garantía no se extiende a los accesorios. Esta garantía le concede derechos legales específicos; usted puede tener otros derechos que pueden variar según el estado o la provincia. Si tiene alguna pregunta, comuníquese con el gerente del Centro de mantenimiento de Black & Decker de su zona. Este producto no está diseñado para uso comercial.

AMÉRICA LATINA: esta garantía no se aplica a los productos que se venden en América Latina. Para los productos que se venden en América Latina, debe consultar la información de la garantía específica del país que viene en el empaque, llamar a la compañía local o visitar el sitio Web a fin de obtener esa información.

Garantía en la cubierta

Garantía de por vida para la CUBIERTA únicamente contra cualquier defecto en el material o mano de obra.

2 AÑOS DE GARANTIA

Este producto cuenta con dos años de garantía a partir de la fecha de compra contra cualquier defecto de su funcionamiento, así como cualquier falla debido a materiales empleados para su fabricación ó mano de obra defectuosa.

Nuestra garantía incluye la reparación o reposición del producto y/o componentes sin cargo alguno para el cliente incluyendo la mano de obra, esta incluye los gastos de trasportación erogados para lograr cumplimiento de esta garantía en los domicilios diversos señalados. Para hacer efectiva esta garantía deberá presentar su herramienta y esta póliza sellada por el establecimiento comercial donde se adquirió el producto.

Nos comprometemos a entregar el producto en un lapso no mayor a 30 días hábiles contados a partir de la fecha de recepción del mismo en nuestros talleres de servicio autorizados.

ESTA GARANTIA NO APLICA CUANDO:

El producto se hubiese utilizado en condiciones distintas a las normales.

El producto no hubiese sido operado de acuerdo con el instructivo de uso que se acompaña.

El producto hubiese sido alterado o reparado por personas no autorizadas por nosotros.

Importador: Black & Decker S.A. de .C.V
Bosque de Cidros Acceso Radiatas No.42
3ra.Seccion de Bosques de las lomas
C.P.05120, Mexico, D.F. Tel: (01 55) 5326 7100

· **GARANTÍA BLACK & DECKER · BLACK & DECKER WARRANTY**
· **SOLAMENTE PARA PROPOSITOS DE MEXICO**

Distributor Name · *Sello firma del distribuidor*

Date of purchase · *Fecha de compra*

Invoice No. · No. de factura

PRODUCT INFORMATION · IDENTIFICACIÓN DEL PRODUCTO

Cat. No. · *Catalogo ó Modelo*

Serial Number · No. de serie

Name · *Nombre*

Last Name · Apellido

Address · *Dirección*

City · *Ciudad*

State · Estado

Postal Code · *Código Postal*

Country · País

Telephone · *No. Teléfono*

SOLAMENTE PARA PROPOSITOS DE MEXICO

**Grupo Realsa en herramientas,
S.A. de C.V.**
Súper Manzana 69 MZ.01 Lote 30
(Av. Torcasita)
Col. Puerto Juárez
Cancún, Quintana Roo
Tel. 01 998 884 72 27

Ferre Pat de Puebla, S.A. de C.V.
16 de Septiembre No. 6149
Col. El Cerrito
Puebla, Puebla
Tel. 01 222 264 12 12

Ferre Pat de Puebla, S.A. de C.V.
Ejército Mexicano No. 15
Col. Ejido 1ro. de Mayo
Boca del Río, Veracruz
Tel. 01 229 167 89 89

**Servicio de Fabrica Black & Decker,
S.A. de C.V.**
Lázaro Cardenas No. 18
Col. Obrera
Distrito Federal
Tel. 55 88 95 02

**Representaciones Industriales Robles,
S.A. de C.V.**
Tezozomoc No. 89
Col. La Preciosa
Distrito Federal
Tel. 55 61 86 82

**Gpo. Comercial de Htas. y Refacciones
de Occidente, S.A. de C.V.**
Av. La Paz No. 1779
Col. Americana, S. Juaréz
Guadalajara, Jalisco
Tel. 01 33 38 25 69 78

PARA OTRAS LOCALIDADES LLAME AL 01 800 847 2309 o 01 800 847 2312.

**Vea "Herramientas
eléctricas (Tools-Electric)"
- Páginas amarillas -
para Servicio y ventas**



Herramientas y Equipos Profesionales
Av. Colón 2915 Ote.
Col. Francisco I. Madero
Monterrey, Nvo. León
Tel. 01 81 83 54 60 06

**Htas. Portátiles de Chihuahua,
S.A. de C.V.**
Av. Universidad No. 2903
Col. Fracc. Universidad
Chihuahua, Chihuahua
Tel. 01 614 413 64 04

Fernando González Armenta
Bolivia No. 605
Col. Felipe Carrillo Puerto
Cd. Madero, Tampico
Tel. 01 833 221 34 50

Perfiles y Herramientas de Morelia
Gertrudis Bocanegra No. 898
Col. Ventura Puente
Morelia, Michoacán
Tel. 01 443 313 85 50

Enrique Robles
Av. de la Solidaridad No. 12713
Col. La Pradera
Irapuato, Guanajuato
Tel. 01 462 626 67 39

Hernández Martínez Jeanette
Prolongación Corregidora Nte. No. 1104
Col. Arboledas
Querétaro, Qro.
Tel. 01 442 245 25 80

BLACK & DECKER S.A. DE C.V.
BOSQUES DE CIDROS ACCESO RADIATAS NO. 42
COL. BOSQUES DE LAS LOMAS.
05120 MÉXICO, D.F.
TEL. (01 55) 5326 7100
01 800 847 2309/01 800 847 2312

Free Manuals Download Website

<http://myh66.com>

<http://usermanuals.us>

<http://www.somanuals.com>

<http://www.4manuals.cc>

<http://www.manual-lib.com>

<http://www.404manual.com>

<http://www.luxmanual.com>

<http://aubethermostatmanual.com>

Golf course search by state

<http://golfingnear.com>

Email search by domain

<http://emailbydomain.com>

Auto manuals search

<http://auto.somanuals.com>

TV manuals search

<http://tv.somanuals.com>