



---

English

---



# Rotary Lawnmower GR380/GR385


## User manual

### Congratulations!

On your purchase of your Black & Decker rotary lawnmower.

This user manual provides important operating and maintenance instructions for all of the rotary mowers in the Black & Decker GR380 and GR385 ranges.

### Know your mower

 Read all of this manual carefully, observing all the recommended safety instructions before, during and after using your mower, and maintain your mower in good working order.

Familiarise yourself with the controls on your mower before attempting to operate it, but above all, be sure you know how to stop your mower in an emergency.

Retain this user manual and all other literature supplied with your mower for future reference.

### Safety instructions

#### Training

- Never allow children or persons who are unfamiliar with this type of mower to use it, nor anyone who has not read this user manual.



Do not allow children, animals or other persons near your mower when in use - always keep them at least 6m (20ft) away from the cutting area.

- Remember that the operator is responsible for accidents or hazards occurring to other people or their property.
- Your mower is designed for use on AC (mains) electrical supplies only - do not attempt to use it on any other supply.
- Plug your mower into a power point - never a lighting socket.



- Never carry your mower by the cable or jerk the cable to separate the connectors. Keep the cable away from heat sources, oils or sharp edges. Check the condition of your cable before use and do not use if damaged.

### Preparation

- To protect your feet, always wear stout shoes or boots - freshly cut grass is damp and slippery.
- Rubber or man-made footwear will enhance your safety.
- Do not operate your mower barefoot or in open sandals.
- Use protective equipment. Wear safety spectacles or goggles whilst operating your mower. Use ear protection if the sound level seems uncomfortable when using your mower.
- Use a face mask if dusty.
- Wear long trousers to protect your legs - any debris left on the lawn or cutting path may be picked up and ejected by the blades.
- The power supply cable should be regularly inspected for signs of damage or ageing, and only used if in good condition.
- Always keep the power supply cable away from the blades - be aware of its position at all times.
- Always be sure your mower is in a safe operating condition.
- Before using your mower, disconnect it from the electrical supply and visually check that the blade, blade bolt and cutter assembly are not worn or damaged. A damaged blade or worn blade bolt is a major hazard and must be replaced. Also check that the blade bolt is securely fastened.
- Always check that your lawn or cutting path is clear of all sticks, stones, wire and other debris. Contact with such debris may be dangerous or may damage your mower and could be thrown by the blade.



### Operation

- When tilting the handle downwards (or to the side) to start your mower, do not tilt it more than is absolutely necessary. Always ensure that both hands are in the operating position and feet are well away from the blades before returning your mower to the ground.



## ENGLISH



Your mower will continue to run for a short time after releasing the switch lever. Always allow your mower to stop on its own.

- Release the switch lever to turn your mower off and remove the plug from the mains:
  - Whenever you leave your mower unattended.
  - Before checking, cleaning, adjusting or working on your mower.
  - Before clearing a blockage.
  - If your mower starts to vibrate abnormally (check immediately).
  - After striking a foreign object, inspect your mower for damage and make repairs as necessary.
- Never run your mower whilst lying on its side or attempt to stop the blade - always allow it to stop on its own.
- Do not put hands or feet near or under rotating parts.
- Keep clear of discharge openings at all times.
- Start your mower carefully according to the instructions and with your feet well away from the blade.
- Do not use your mower in the rain and do not allow it to get wet. Avoid using your mower in wet grass, if possible.
- Use your mower only in daylight or good artificial light.
- Do not pull your mower towards you or walk backwards when in operation.
- Do not cross gravel paths or roads whilst the blade is rotating.
- Always be sure of your footing, particularly on slopes.
- Always cut across the face of slopes, never up and down. Exercise extreme caution when changing direction on slopes.
- Do not cut excessively steep slopes and always wear non-slip footwear.
- Check the grassbag (if supplied) for wear or damage and replace if necessary.
- Walk, never run. Do not force your mower.
- Never pick up or carry your mower while the motor is running.
- Ensure the blade has stopped rotating and take extreme care before lifting your mower for and during transportation.
- Never operate your mower with defective guards or shields.



### Maintenance and storage

- Store your mower in a dry place when not in use, out of the reach of children.
- Do not use solvents or cleaning fluids to clean your mower - use a blunt scraper to remove grass and dirt.
- Always disconnect from the electrical supply before cleaning.
- Replace worn or damaged parts for safety. Do not operate your mower if any parts are defective; discard all defective parts and fit new parts before use.
- Keep all nuts, bolts and screws tight to be sure your mower is in a safe working condition.
- Use only Black & Decker recommended replacement parts and accessories.

Black & Decker's policy is one of continuous improvement to our products and, as such, we reserve the right to change product specifications without prior notice.

### Double insulation



Your mower is double insulated.

This means that all external metal parts are electrically isolated from the power supply. This is achieved by placing an extra insulation barrier between the electrical and mechanical parts. Double insulation means greater electrical safety and obviates the necessity of having your mower earthed.

### Electrical safety (UK only)



Your mower should always be switched off at the mains before disconnecting any plug and socket connector or extension cables.

#### Fuse replacement

If your mower is supplied with cable fitted with a non-re-wireable plug:

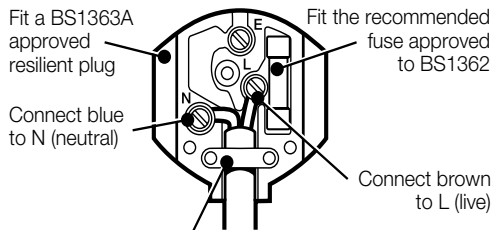
- The plug is fitted with a 13 amp fuse which is the recommended fuse for your mower.
- Only use replacement fuses which are approved to BS1362.
- When changing the fuse in your plug, always ensure the fuse cover is refitted. If the fuse cover is missing or damaged do not use the plug.



**Note:** Fuses do not give personal protection against electric shock.

#### Plug replacement

- Disconnect the plug from the supply.
- Cut off the plug and dispose of immediately. Insertion of a detached plug into a 13 amp socket outlet may result in electric shock.
- Only fit BS1363A approved plugs fitted with the correctly rated fuse.
- The cable wire colours, or a letter, will be marked at the connection points of most good quality plugs. Attach the wires to their respective points in the plug (see below). Brown is for "Live" (L) and blue is for "Neutral" (N).
- Before replacing the top cover of the mains plug ensure that the cable clamp is holding the outer sheath on the cable firmly and that the two leads are correctly fixed at the terminal screws.



Make sure that the outer sheath of the cable is held firmly by the clamp



230 volts AC only  
Never use a light socket



**Warning!** Never connect live or neutral wires to the earth pin marked "E" or .

**Note:** Do not wire an extension cable directly into your mower yourself. Instead, take your mower to your nearest Black & Decker service agent.

Increased safety can be obtained by having a qualified electrician install a high sensitivity (30mA) circuit breaker in the house wiring. If you do not have such a circuit breaker installed, or you do not wish to have one installed, then we strongly recommend that the electrical power to your mower be supplied through a high sensitivity (30mA) residual current device (RCD). The RCD is designed to provide a high degree of personal protection against harmful electric current should fault conditions occur.



**Warning!** The use of an RCD or other circuit breaker unit does not release the operator of your mower from the safety instructions and safe working practices given in this manual.

#### Features (Fig. A)

A

Your purchase of a Black & Decker GR380/GR385 range lawnmower gives you a product combining quality with modern design and the following features to provide safe, efficient and easy mowing.

- Lock-off safety switch to prevent accidental starting of your mower.
- A blade brake (AUTOSTOP) for added safety. Stops the blade rotating within 3 seconds once the switchbox lever is released.
- Large handle nuts for easy assembly and storage.
- The wheels are in line with the outside of your mower body which allows cutting right up to the edge of the lawn.
- Conversion to a mulching lawnmower by simply removing the grassbox.
- Three height of cut positions.
- Tough, durable plastic deck which will not rust and contributes to low noise and low vibration.
- Powerful and efficient induction motor which gives effective cutting and bagging in all reasonable conditions and a low noise level as well as low maintenance.
- Ergonomically designed upswept handle for comfortable use and ease of pushing.
- Easy grassbox removal.
- Cable restraint helps keep the cable out of the way and prevents the cable socket being accidentally pulled and disconnected.

#### Carton contents

##### Mower carton containing:

- Mower body.
- 12m of cable (UK only).
- Grassbox.

##### Loose parts pack containing:

- 1 spanner.
- User manual including guarantee card.
- Service sheet.
- 2 screws.

#### Handle assembly (Fig. B)

Remove all the parts from the carton and familiarise yourself with the individual parts of your mower.

The main parts of your mower are your mower body (1) which comprises a motor cover (2), wheels (3) and grass flap (4).





## ENGLISH

The handle comprises the upper handle (5), cross bar (20), lower handle (6), switch box (7), switch lever (8), safety lock-off (9), electric cable (10), cable clips (11), wing nut and cup (12) and cable clip (21).

- B1**
- Insert cross member (20) through cable clip (21). Assemble left lower leg (6L) and right lower leg (6R) onto cross member (20). Clip upper handle (5) over cross member ends, and fasten into place with nuts (12).

To assemble the lower handle (6) into the correct locations on your mower body (1), proceed as follows:

- B2**
- Insert the lower handles into the two holes in your mower body (1) and press down until secure. Secure in position using the screws supplied (19).

### Height of cut adjustment (Fig. C)

Before wheel assembly adjustment ensure your mower is disconnected from the mains.

Each of the two axle wheels has its own means of height adjustment which gives 3 cutting height positions.

- C**
- To select a height of cut, move the wheels (3) into the slot required using the spring system (13).
  - Fit the other three wheels in the same way.

To ensure an even cut, please make sure that all four wheels are placed in the same position.

### Grassbox assembly (Fig. D)

Read the safety instructions at the beginning of this manual before using this accessory.

- The grassbox is a two piece (14 & 15) plastic construction which needs to be assembled before attaching it to your mower.

To assemble the grassbox, proceed as follows:

- D1**
- Align both parts together.
- D2**
- Clip in place.

- D3**
- Fitting the grassbox to your mower:**
- The spring loaded grass flap is lifted and the two arms on the front edge of the grassbox are located behind the two lugs rising up from the rear edge of the cutter deck (Fig. D3).
  - The grass flap can now be released to lock the grassbox into position.

### Removing the grassbox from your mower:

The full grassbox may be removed by raising the grassflap and then either lifting the grassbox up and through the lower handle(s) or by freeing the grassbox from its mounting and then resting it on the lawn, while the grassflap is gently lowered, leaving both hands free to gently lift the full grassbox.

### How to use your mower (Fig. E & G)



**Observe all of the relevant warnings when using your mower.**



We recommend the directional method of operation to obtain the maximum cutting performance from your mower and to reduce the risk of the trailing extension lead from entering the cutting path.

- Place the bulk of the supply cable on the lawn close to the starting point (Fig. G, position 1).
- Hold the handle assembly with both hands.

Your switch box incorporates a cable restraint. To fix the cable to the restraint, proceed as follows:

- Bring the socket end of the extension cable from behind and connect it to your mower plug.
- Form a loop on your extension cable close to the switch box.
- E1** • Push the loop through the slot from the opposite side of the restraint hook (Fig. E1), position the loop over the hook and pull the cable back through the slot. Your cable will now be restrained.
- The extension cable should now fall away from your mower and behind the operator, ready for use.



**Warning!** Do not attempt to operate your mower with one hand - you must guide it with both hands.



- Tilt the handle downwards to slightly raise the front of your mower and to reduce the risk of lawn damage whilst starting, depress the safety lock-off button (18) on the switchbox (7) and whilst still depressed pull the switch lever (8) towards you. Your mower will start and you can now allow the lock-off button to be released and lower your



mower to its proper cutting position and commence cutting.

- Proceed down the cutting area as shown in Fig. G (a), working from position 1 towards position 2 and, on reaching position 2, turn to the right and proceed towards position 3. Continue to the end of the cutting area, turn to the left and proceed towards position 4. Continue in the same manner as shown in Fig. G, always working away from the cable. Do not adopt the method as shown in Fig. G (b), working towards the cable, as this is dangerous practice.

Your mower will continue to operate whilst you are depressing the switch lever. To stop your mower release the switch lever.

When you have finished using your mower we recommend that you clean all debris from it before putting it away. Refer to the 'Care and maintenance' section.

**Note:** To obtain the best results cut your lawn or grass area regularly and do not cut when the grass is wet.

If, when grasscutting, loose grass is seen to be scattering from beneath your mower, the grassbox is probably full and should be emptied.

## F

- Turn your mower over on its side so that the underside of the cutter deck is exposed.
- Using a cloth placed over the blade or heavy duty gloves to protect your hands, grip the blade and, using the spanner provided, loosen and remove the nut (16) from the motor spindle. Turn the nut in an anti-clockwise direction to loosen it.
- The blade can now be replaced and the washer and nut reassembled.

**Note:** Do not remove the impeller (17) for any reason.

**Note:** Some mowers are fitted with a clutch washer, between the blade nut and the blade, which must be reassembled at all times.

## Handy hints

- On long grass, above 10cm (4 inches), use two cuts to get a close finish. We recommend that the first cut should be taken with the blade set at maximum height of cut and the second taken with it set at medium or close. This will prove to be easier and give a better overall finish to your lawn.

## Blade maintenance

The steel blade is designed to give a fine finish in long or tough grass. The blade will continue to cut even when it has become blunt or burred. There is no need for it to be razor sharp.

If, however, because of damage or wear the cutting performance deteriorates, then your mower may require a new blade, or at least the existing blade to be sharpened.

We recommend that the steel blade is sharpened or a new blade fitted at the beginning of each season.

Replacement blades are available from Black & Decker service agents.



**Warning!** When fitting a new blade use only the Black & Decker replacement part specified for your mower - do not attempt to fit any other blade.

## Fitting a new blade (Fig. F)



**Observe all the relevant warnings before changing the blade.**

**Warning!** Disconnect your mower from the electrical supply before changing the blade.

## Care and maintenance

The advice given in this section covers the general care and maintenance of the main body of your mower. Advice relating to the blades is given in "Maintenance of blades".



**Warning!** Do not use a cable which shows signs of damage. Fit a new cable completely - do not make any permanent or temporary repairs.

- Always keep your mower clean and free from grass cuttings, especially the underside of the cutter deck and the air vents.
- Check all electrical cables at regular intervals, looking for signs of wear, abrasion or other damage.
- At the end of each cutting session we recommend that the build up of grass on the underside of the cutter cover is removed using a blunt scraper.
- Clean all plastic components with a damp cloth.

**Caution:** Do not use solvents or cleaning fluids as these may damage the plastic components of your mower.



## Fault finding

If your mower does not operate correctly, use the table below to locate the problem.



**Warning!** Always disconnect your mower from the electrical supply before carrying out any inspection.

Symptoms	Possible cause	Remedy
Motor buzzes but blade does not move.	Blade jammed.	Disconnect from the electrical supply.  Remove obstruction from the blade.
No noise and blade does not move.	Faulty electrical connection.	Disconnect from the electrical supply.  Plug your mower into an alternative compatible electrical supply.  Fit a new fuse.  Re-tighten and check all electrical connections in extension cables.  Re-set RCD in accordance with instructions.

## What to do if your mower needs repair

For after sales service please refer to the section 'Lawnmowers & Garden' within your local Yellow Pages.

## Unwanted products and the environment



Should you find one day that your mower needs replacement, or is of no further use to you, think of the protection of the environment. Black & Decker service agents will accept your old mower and will dispose of it in an environmentally safe way.

## Black & Decker lawn and garden guarantee

**This guarantee provides 36 months parts cover and 12 months labour (UK), 24 months parts cover and labour (Australia and New Zealand).** In all cases proof of purchase will be required.

If your Black & Decker mower becomes defective, within the guarantee period, due to faulty materials or

## ENGLISH

workmanship, we guarantee to either replace all defective parts, or at our discretion, replace your mower free of charge, provided that:

- Your mower is returned to one of our authorised repair agents with evidence of purchase.
- Your mower has been used within the parameters of its consumer classification.
- Your mower has not been used for hire purposes.
- Repairs have not been attempted by anyone other than our authorised repair agents.
- The failure represents normal wear and tear.

This guarantee is offered as an extra benefit and is additional to your statutory rights.

## Our guarantee policy

Failure due to the following are not covered:

- Replacing worn or damaged blades, nylon line and chains, or cables damaged during storage or use. These are regarded as replacement items which wear during normal usage.
- Failure as a result of sudden impact or obvious abuse.
- Failure due to usage not in accordance with instructions and recommendations contained in this manual.

The use of other than genuine Black & Decker accessories and parts may damage or reduce the performance of your Black & Decker mower and may render the guarantee void.

## Black & Decker after sales service (UK, Australia and New Zealand only)

Black & Decker offers a nationwide network of authorised service agents. The use of other than genuine Black & Decker accessories and parts may damage or reduce the performance of your Black & Decker product and may also endanger the user. The terms and conditions of the warranty may also be effected.

It is our aim that all Black & Decker customers should be totally satisfied with their Black & Decker product and after sales service, if help or advice is needed please contact a local Black & Decker authorised repair agent who will be happy to help. Full details of our after sales service can be obtained from any of our Black & Decker authorised repair agents.



## ENGLISH

### Other Black & Decker products (UK only)

Black & Decker has a full range of outdoor power tools that make life easy in the garden. If you would like further information on other products, please contact the Black & Decker Service Information Centre at the address towards the back of this manual, or contact your Black & Decker stockist.

Lawnmowers	String trimmers
Chainsaws	Lawnrakers
Compost shredders	Leafbusters
Blade trimmers	Cordless brooms
Cordless trimmers	Cordless shrubbers
Cordless shears	Hedgetrimmers

#### EC Declaration of Conformity

We declare that units:

**GR380, GR385**

conform to 98/37/EC,  
89/336/EEC, 73/23/EEC

A weighted sound pressure @ 4m 73dB (A)

A weighted sound power 93dB (A)

Hand/arm weighted vibration <2.5m/s<sup>2</sup>

Brian Cooke

Director of Engineering  
Spennymoor, County Durham DL16 6JG  
United Kingdom







---

<b>Australia</b>	Black & Decker (A'asia) Pty Ltd 286-288 Maroondah Highway, North Croydon, Victoria 3136	Tel: 03 9213 8200 Fax: 03 9726 7150
<b>New Zealand</b>	Black & Decker 483 Great South Road, Penrose, Auckland	Tel: 09 579 7600 Fax: 09 579 8200
<b>South Africa</b>	Black & Decker South Africa (Pty) Ltd Suite no 107, PostNet X65, Halfway House 1685	Tel: 011 314 4431 Fax: 011 314 4435
<b>United Kingdom</b>	Black & Decker 210 Bath Road, Slough Berkshire SL1 3YD	Tel: 01753 574277 Tlx: 848317 BAND MH Fax: 01753 551155

---



10/97.1



Date of your purchase:

Address of the dealer where your lawnmower was purchased:

	Yes	No
<input type="checkbox"/>	<input type="checkbox"/>	<input type="checkbox"/>
<input type="checkbox"/>	<input type="checkbox"/>	<input type="checkbox"/>
<input type="checkbox"/>	<input type="checkbox"/>	<input type="checkbox"/>

Was your lawnmower a gift? \_\_\_\_\_

Was your lawnmower your first purchase? \_\_\_\_\_

Was your lawnmower bought as a replacement? \_\_\_\_\_

What was the price of your lawnmower? \_\_\_\_\_

Address of the dealer where your lawnmower was purchased:

\_\_\_\_\_

\_\_\_\_\_

\_\_\_\_\_

Name: \_\_\_\_\_

House number or name and street: \_\_\_\_\_

Town: \_\_\_\_\_

County or state: \_\_\_\_\_

Postcode: \_\_\_\_\_

Country: \_\_\_\_\_

Product catalogue number: GR38\_/\_/\_/\_/\_

**Data protection act:** Tick this box if you prefer **not** to receive information from Black & Decker or other companies.





## GUARANTEE CARD

**South Africa:** Black & Decker South Africa (Pty) Ltd, Suite no 107, PostNet X65, Halfway House 1685

**United Kingdom & Ireland:** PO Box 821, Slough, Berkshire, SL1 3AR

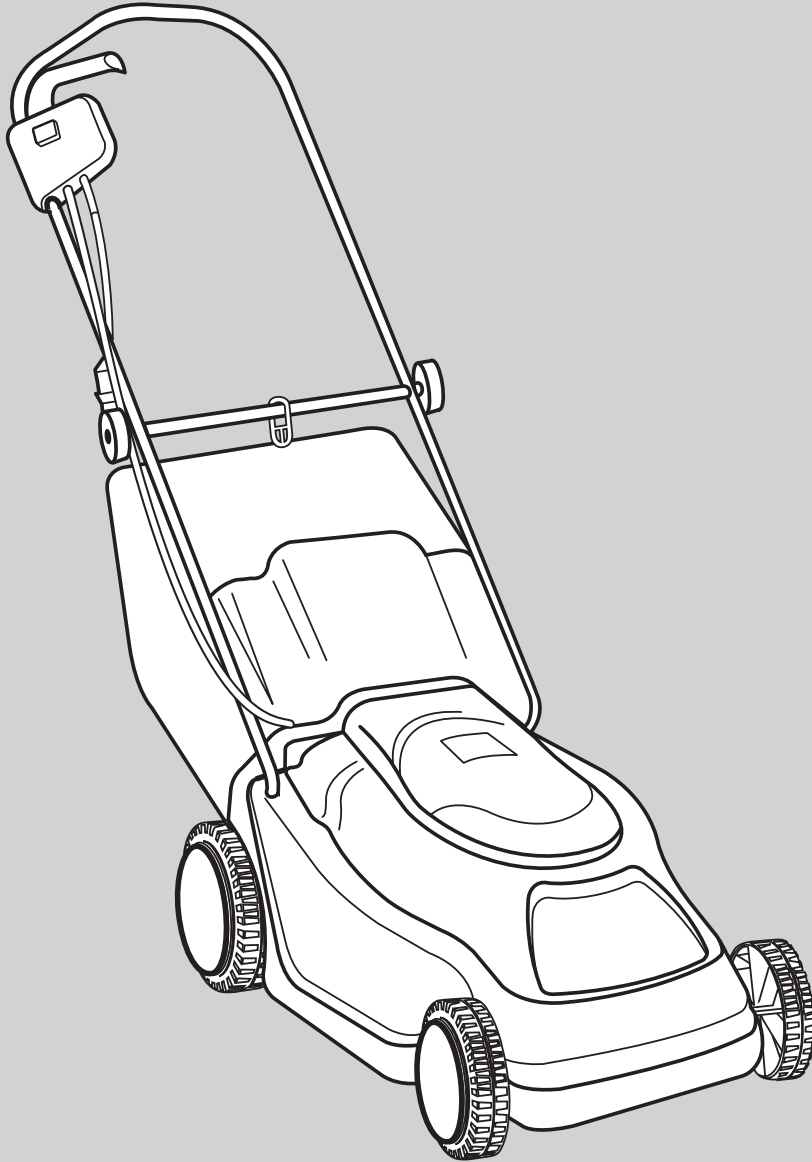


Please complete this section immediately after the purchase of your lawnmower and post it to the Black & Decker address in your country (above).

If you live in Australia or New Zealand, please register your purchase by using the alternative guarantee card.



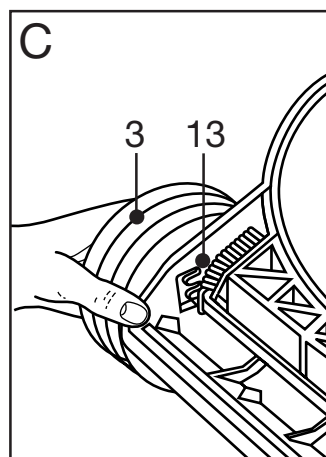
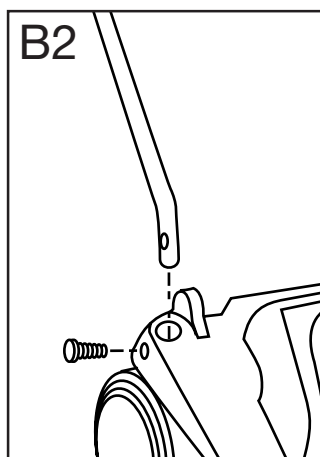
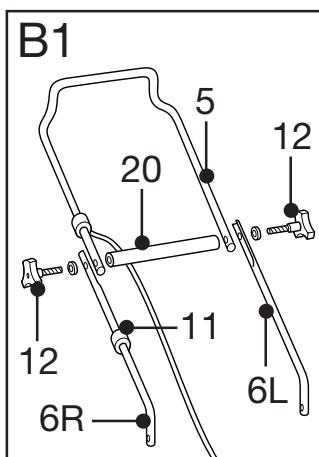
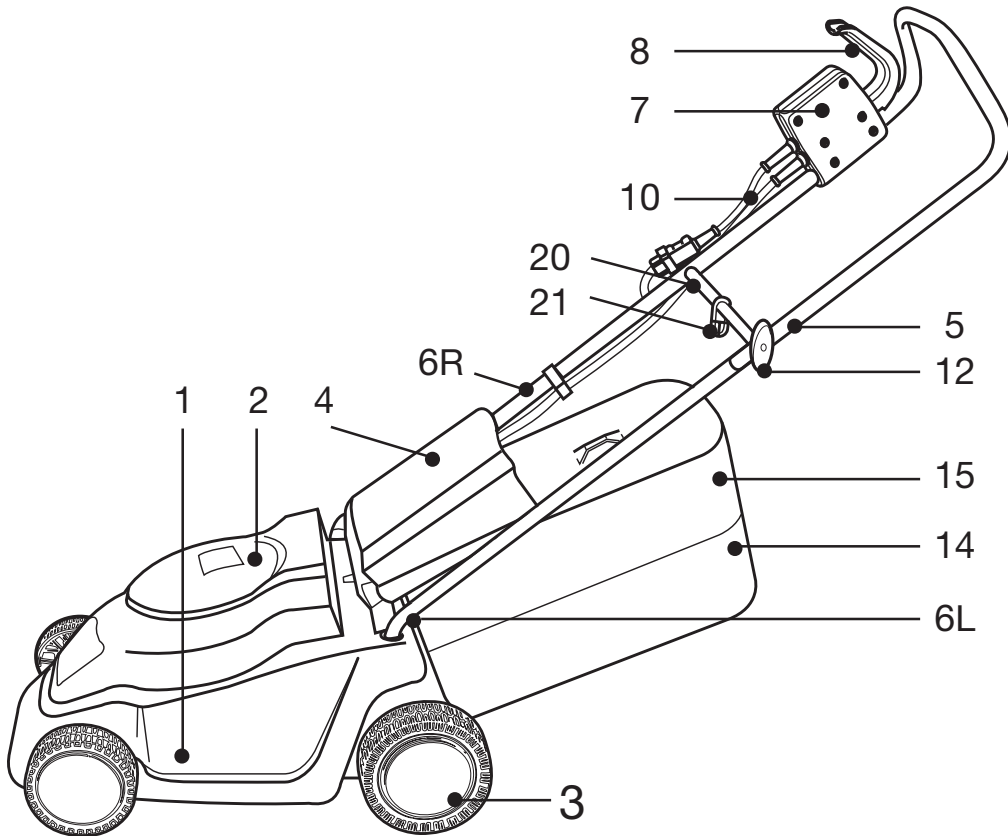
 **BLACK &  
DECKER®**

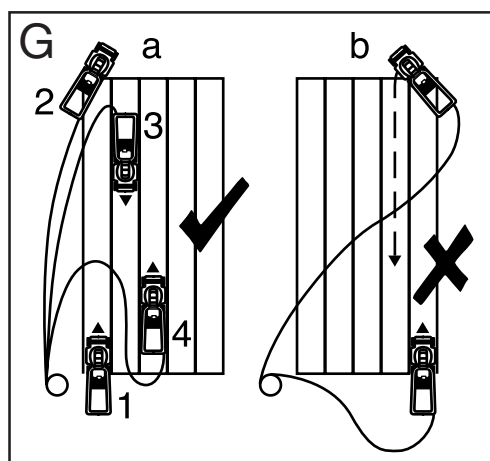
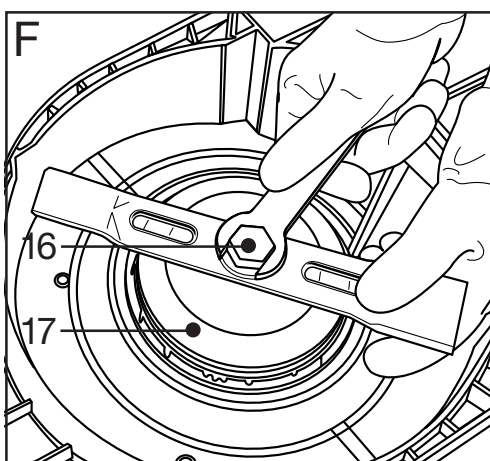
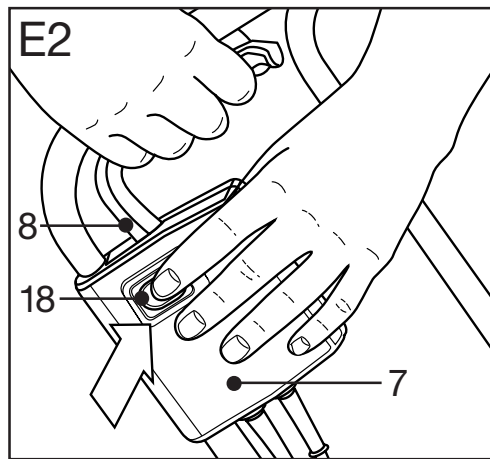
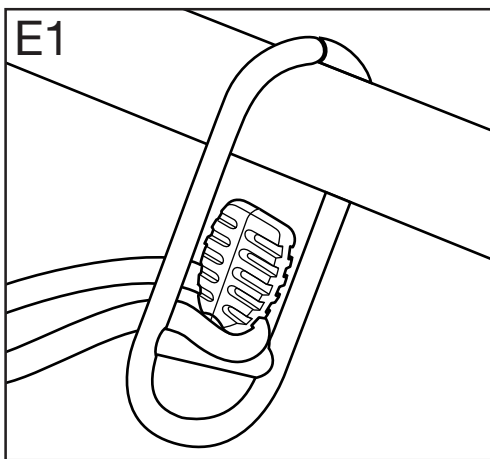
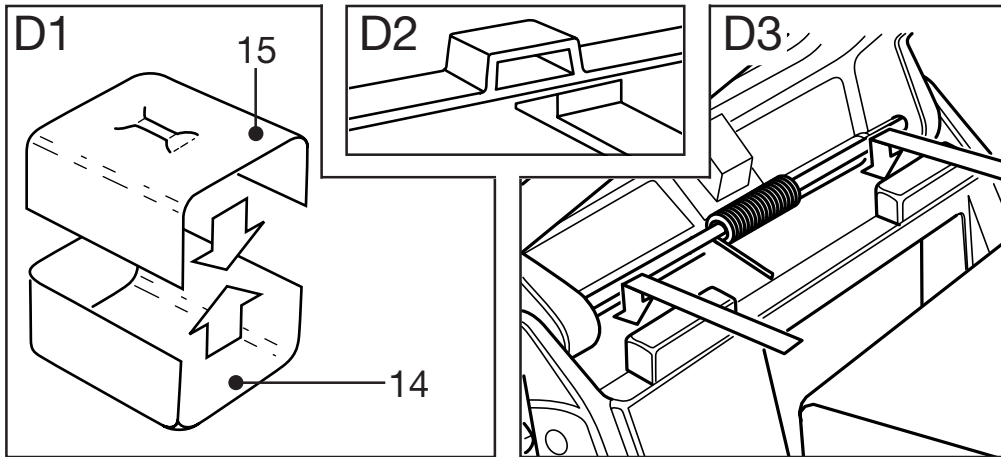


**GR380  
GR385**



A





## Free Manuals Download Website

<http://myh66.com>

<http://usermanuals.us>

<http://www.somanuals.com>

<http://www.4manuals.cc>

<http://www.manual-lib.com>

<http://www.404manual.com>

<http://www.luxmanual.com>

<http://aubethermostatmanual.com>

Golf course search by state

<http://golfingnear.com>

Email search by domain

<http://emailbydomain.com>

Auto manuals search

<http://auto.somanuals.com>

TV manuals search

<http://tv.somanuals.com>