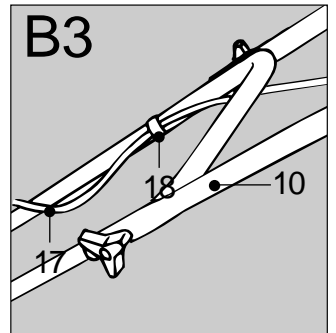
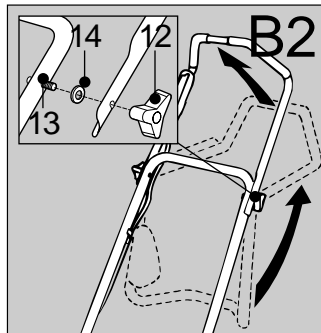
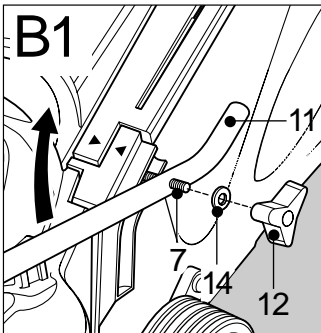
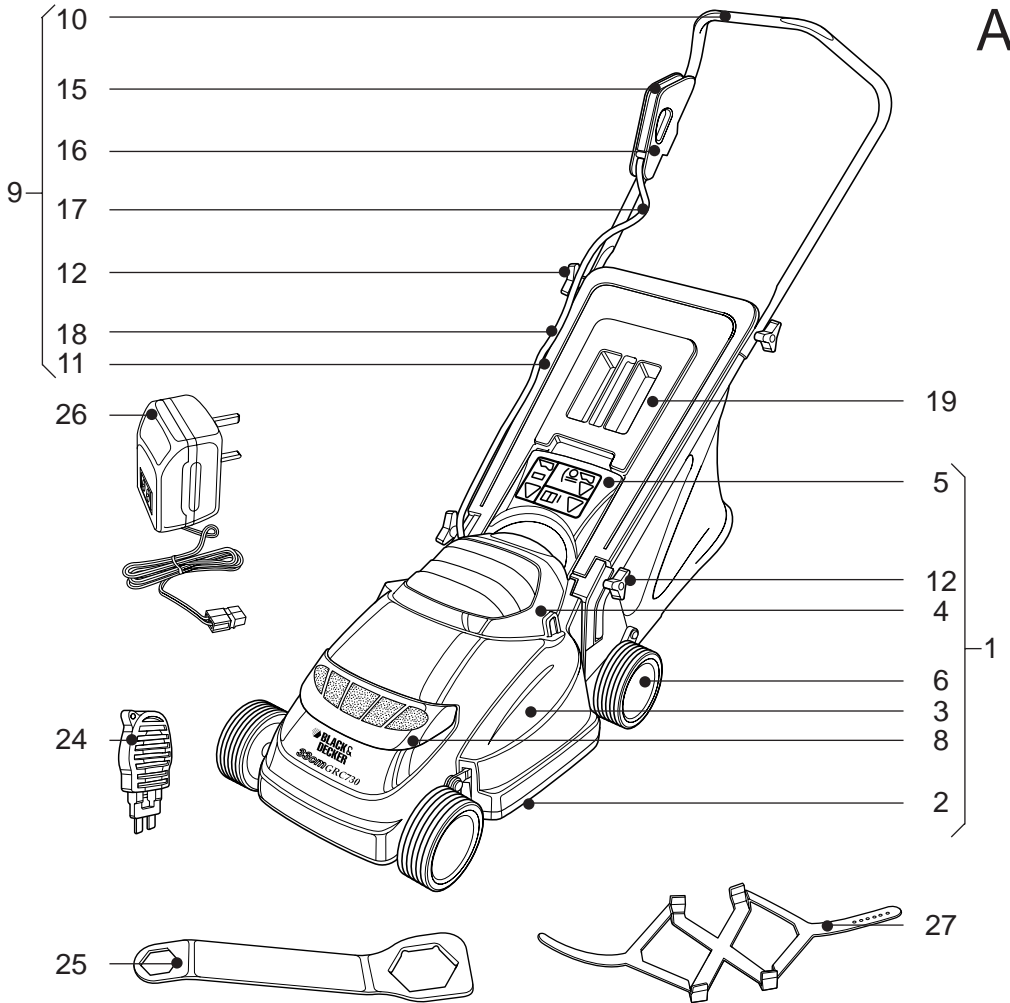
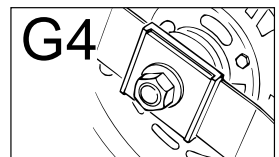
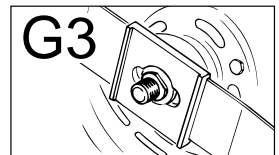
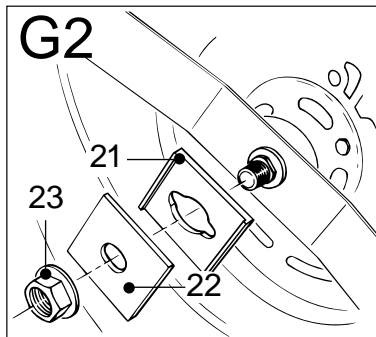
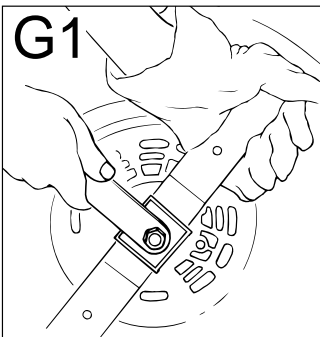
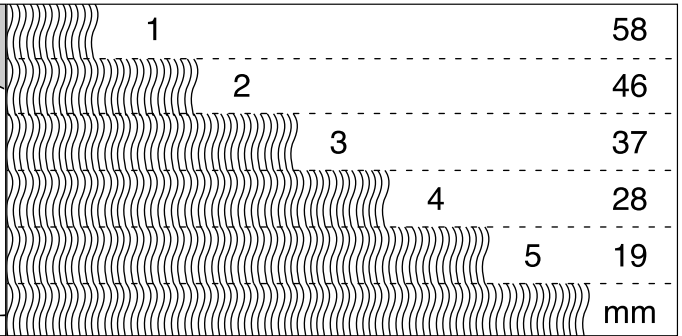
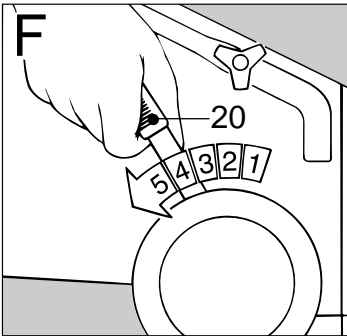
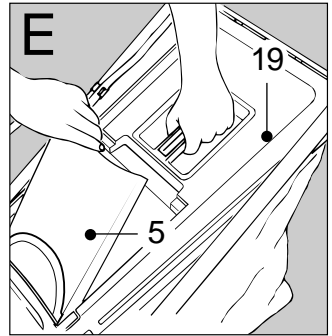
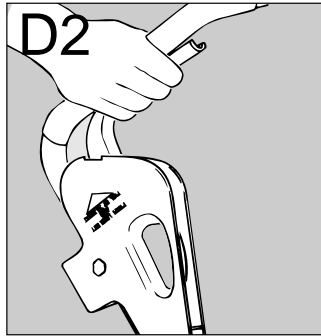
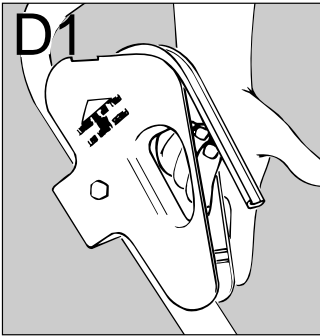
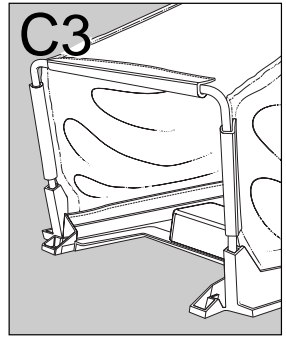
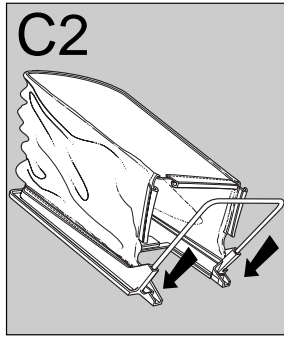
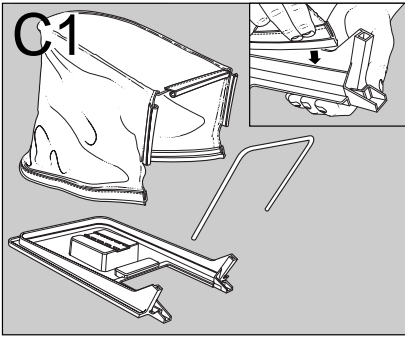


GRC730

A





Lawnmower

GRC730

Instruction Manual

This manual provides operating and maintenance instructions for the Black & Decker GRC730 cordless lawnmower.

Know your machine



Read this manual carefully. Observe all the recommended safety instructions before, during and after using your machine, and maintain your machine in good working order.

Familiarise yourself with the controls on your machine before attempting to operate it, but above all, be sure you know how to stop your machine in an emergency.

Retain this manual and all other literature supplied with your machine for future reference.

Safety instructions

Training

- Never allow children or persons who are unfamiliar with this type of machine to use it, nor anyone who has not read this leaflet.



Do not allow children, animals or other persons near your machine when in use - always keep them at least 6m (20ft) away from the cutting area.

- Remember that the operator/user is responsible for accidents or hazards occurring to other people or their property.

Preparation

- To protect your feet, always wear stout shoes or boots - freshly cut grass is damp and slippery.
- Use protective equipment. Wear safety spectacles or goggles whilst mowing. Use a face mask if dusty.
- Do not operate in gaseous explosive atmospheres.
- Do not mow barefoot or in open sandals.
- Wear long trousers to protect your legs - any debris left on the lawn or cutting path may be picked up and ejected by the blades.
- Always be sure your machine is in a safe operating condition.



- Before using your machine, remove safety key and visually check that the blade, blade nut and cutter assembly are not worn or damaged. Damaged blades and worn blade nuts must be replaced. Also check that the blade nut is securely fastened.
- Always check that your lawn or cutting path is clear of all sticks, stones, wire and other debris. Contact with such debris may damage your machine.

Operation

- When tilting the handle downwards for starting, do not tilt it more than is absolutely necessary. Always ensure that both hands are in the operating position and feet are well away from the blades before returning the mower to the ground.
- Avoid accidental starting. Ensure switch is off when inserting safety key.
- Release switch lever to turn mower off and remove the safety key:
 - Whenever you leave your machine unattended.
 - Before checking, cleaning or working on the mower.
 - Before clearing a blockage.
 - If the mower starts to vibrate abnormally (check immediately).
 - After striking a foreign object. Inspect the mower for damage and make repairs as necessary.
- Never run the unit whilst on its' side or attempt to stop the blade - always allow it to stop on its own.
- Do not put hands or feet near or under rotating parts.
- Keep clear of discharge openings at all times.
- Start your machine carefully according to the instructions and with your feet well away from the blades.
- Avoid using the machine during rain and avoid wet grass if possible.
- Mow only in daylight or good artificial light.
- Do not pull your machine towards you or walk backwards when mowing.
- Do not cross gravel paths or roads whilst the blade is rotating.

- Always be sure of your footing, particularly on slopes.
- Always mow across the face of slopes, never up and down. Exercise extreme caution when changing direction on slopes.
- Do not cut excessively steep slopes and always wear non-slip footwear.
- Check the grassbag frequently for wear or damage, and replace if necessary.
- Walk, never run. Do not force the mower.
- Never pick up or carry your mower while the motor is running. Ensure the blades have stopped rotating when tilting for transporting the mower to and from the area to be mowed.
- When transporting your unit, always remove the safety key, adjust the cut height setting to a mid position and take extreme care when lifting.
- Never operate the mower with defective guards or shields.

Maintenance and storage

- Store your machine in a dry place when not in use, remove the safety key and place out of the reach of children.
- Do not use solvents or cleaning fluids to clean your machine - use a blunt scraper to remove grass and dirt. Always remove the safety key before cleaning.
- Do not charge or store the unit outdoors.
- Do not operate your machine if any parts are defective; discard all defective parts and fit new parts before use.
- Replace worn or damaged parts for safety.
- Keep all nuts, bolts and screws tight to be sure your mower is in a safe working condition.
- Use only Black & Decker recommended replacement parts and accessories.

Features (Fig. A)

A

Your purchase of the Black & Decker GRC730 lawnmower gives you a product combining quality with modern design and the following features, to provide safe, efficient and easy mowing.

- Cordless - there is no need for extension cables while mowing.
- Gasless - there is no need for petrol and oil to buy, mix, store or transport.
- Clean - there are no emissions, the mower is environmentally friendly.

- Rechargeable 12V battery - provides reliable power that will cut approx. 300m².
- Easy to start - starts first time every time.
- Specially designed switch box (16) and safety key (24) to prevent accidental starting of the mower.
- Ergonomically designed upswept handle for comfortable use and ease of pushing (10).
- A blade brake (autostop) for added safety - stops the blade from rotating within 3 seconds once the switchbox lever is released.
- Large handle wing nuts for easy assembly and storage.
- Single lever height of cut adjustment for quick and easy operation (20).
- Five height of cut positions which provides the flexibility to deal with most grass conditions.
- The in line wheels allowing cutting right up to the edge of the lawn.
- Large capacity grass bag (30 litres) for longer cutting periods (19).
- Easy grassbag removal.
- Smooth bottom deck design giving you a better cut performance and an improved quality of cut.
- Tough, durable plastic deck which will not rust and contributes to low noise and low vibration.
- Rear roller (UK only) which produces the traditional, striped effect on the lowest height of cut.
- Powerful and efficient 12V permanent magnet motor which gives effective cutting and bagging in all reasonable conditions and a low noise level.
- The GRC730 will have a run time under average cutting conditions of approximately 300m². This run time will vary upwards and downwards dependant upon grass conditions, cut height used and push speed.

Black & Decker policy is one of continuous improvement to their product and as such they reserve the right to change product specification without prior notice.

Unpacking and assembly

Your mower carton contains:

- The mower and handle assembly.
 - One hardware bag containing:
 - Two safety keys (24).
 - Instruction literature.
 - Blade nut spanner (25).
 - Charger (26).
 - Battery strap (27).
 - One grassbag assembly (19) - see below for assembly instructions.
-

Handle assembly (Fig. A & B)

A Remove the contents of the carton and familiarise yourself with the individual parts of the mower.

The main parts of the mower shown in Fig. A are as follows:

- Machine body (1):
 - Cutter deck (2)
 - Motor cover (3)
 - Battery cover (4)
 - Grass flap (5)
 - Wheel assembly (6)
 - Pivot pin (7)
 - Grill (8)
- Handle (9):
 - Upper handle (10)
 - Lower handle (11)
 - Handle knob (12)
 - Switch lever (15)
 - Switch box (16)
 - Electric cable (17)
 - Retaining clips (18)
- The lower handle (11) comes ready assembled to the mower body.

B1 • All that is required is to unfold the handle by lifting it until the handle ends snap into their locations on the sides of the mower. Once this is complete the knobs (12) can be tightened.

B2 • The upper handle (10) is assembled by fitting the bolts (13) through the holes in the lower handle, aligning the upper handle over these and securing with a washer (14) and then the knob (12).

- Tighten each one with hand pressure only. Do not use a spanner.

B3 • When both handles are assembled, fit one cable clip (18) onto the upper handle and one onto the lower handle. Clip the cable into these ensuring the grassbox can be removed and positioned freely.

Grassbag assembly (Fig. C)

Note: Ensure the battery is disconnected.

Read the safety instructions at the beginning of this manual before using this accessory.

C1 • Before starting to assemble the grassbag, check that the parts are similar to those shown in Fig. C1.

- Secure the grassbag by inserting the bag rim into the channel and pushing down firmly until the clip feature locks onto the bag rim (inset).

C2 • Push the support frame firmly into place.

C3 • Assemble the two side clips to the support frame, then assemble the bottom clip.

Battery information

- The battery in your cordless lawnmower is a 12 volt sealed lead acid system. The battery employs an absorbed electrolyte and, can therefore, be stored in any position without fear of leakage.
- **The battery has been charged at the factory, however, it will be necessary to recharge the battery to ensure full charge before initial use.**
- For optimal performance the battery should be recharged after each use.
- For winter storage ensure:
 - The mower is fully charged before storing.
 - The temperature of the storage location is below 25°C.
 - Storage duration is less than 6 months.
- Always store your mower in a dry and cool location.
- Keep the mower and battery away from water, heat sources (such as radiators, heaters, stoves etc.), flames or chemicals.

Battery strap

- Locate the battery and its carrying strap.
- Fold the sides of the strap up and put the battery in place.
- Click the straps together ensuring you locate every hole.
- The strap should be kept on the battery at all times.

Charging instructions



- Always charge your mower indoors in a well ventilated area, where it is dry and protected from the weather.
- Charge mower in a location where the temperature is more than 5°C (41°F) and below 40°C (104°F).



Warning! Do not attempt to charge non-rechargeable batteries.

To charge

- The battery on your mower can be charged on the mower or can be removed and charged away from the mower if a mains socket is not at hand.

To charge the battery ON the mower

- Remove the safety key (24) and store in a safe place away from children.
- Open the battery cover (4) by pressing in the lock symbols at each side of the cover and hinge upwards.
- Disconnect the battery lead (red and black) by pulling it from the socket at the side of the battery recess.
- The red and black socket of the charger is then connected to the red and black socket of the battery.

Note: The charger socket will fit one way only.

- Connect the charger to the mains socket and switch on.
- The red indicator on the charger will turn on. This indicates that the battery is being charged.
- When the battery becomes charged, normal time 24 to 30 hours, the red light will go out and the green light will turn on.
- It is safe to leave your battery on charge until ready to use.
- Disconnect the charger from the battery and connect the battery to the socket on the mower.
- Your mower is now ready for use.

To charge the battery OFF the mower

- Remove the safety key and open battery cover as described above and disconnect the battery.
- Lift out battery out of the mower using the carry handle.
- Charge as described above.
- After charging, replace in mower and connect to the mower socket.

ENGLISH

Important!

Recharge mower to a full charge immediately after use.

In order to get maximum performance from your mower with maximum battery life, it is important that you recharge the battery immediately after each use. Battery failure will occur if the mower is stored without having a full charge.

Recharge mower to a full charge for winter storage.

When preparing your mower for winter storage, it is important that it is recharged. Battery failure will occur if the mower is stored without having a full charge.

Battery disposal

When the mower's battery requires replacing discharge the energy from the battery by running the mower until the motor stops. Remove the battery from the mower .



Warning: The battery may still have some residual charge even after the motor stops. It is therefore necessary to protect against accidental short circuit of the battery terminals with uninsulated tools or materials of a conductive nature, such as, but not limited to steel wool or aluminium foil.

Batteries must be disposed of in a responsible manner.



This symbol indicates the lead acid battery contained within this unit must be disposed of properly and not discarded in everyday household waste which may be disposed of in an incinerator or landfill site.



Lead acid batteries can be harmful to the environment and can explode when exposed to fire. **Do not incinerate.**

The battery should be taken to a Black & Decker service centre, your local dealer or your local recycling station. If necessary, contact your local authority for disposal information.

If the cutting performance begins to deteriorate, please refer to the "Fault finding" guide.



Warning! Do not cross battery leads when installing a new battery as this will cause the blade to run in reverse until battery is discharged. When you attempt to recharge the battery, the charger circuit will be destroyed as soon as you connect the charger plug.

How to use your machine (Fig. D & E)

Important! Always observe all the relevant warnings when using your machine.



Warning! Never attempt to operate your machine with one hand. You must guide your machine with both hands.



Safety key

- In order to prevent accidental start-up or unauthorised use of your cordless mower, a removable safety key has been incorporated into the design of your mower. The mower will be completely disabled when this safety key has been removed from the mower.

Note: The safety key has a hole in the centre to allow for storage on a hook, out of the reach of children.



Warning! Always remove the safety key from mower when leaving it unattended, even for a short period of time.

- Your safety key will be found in the parts pack (plus one spare).

Starting

- Remove tie wrap from switch lever prior to first use.
- Insert the safety key into position and push fully home.
- Tilt the handle downwards to slightly raise the front of the mower to reduce the risk of lawn damage whilst starting.
- Your mower is equipped with a special on/off switch lever. The switch lever is recessed within the switch housing to prevent turning the mower on accidentally.

D1

To operate the switch, insert your finger into the opening and push the lever out so that you can pull it with your other hand.

D2

- Pull the lever back against the mower handle and hold in this position to keep the mower running.
- To turn the mower off, just release the lever. The spring-loaded "snap-action" lever will relocate itself back into its original position inside the switch housing.

When you have finished using your machine we recommend that you clean all debris from it before putting it away. It is important to remove the safety key before cleaning. Please refer to the "Care and maintenance" section.

Note: To obtain the best results cut your lawn or grassed area regularly and do not cut when the grass is wet.

If, when grasscutting, loose grass is seen to be scattered from beneath the mower, the grassbag is probably full and should be emptied.

E

Fitting the grassbag to the unit

- Hold the grassbag top (19) by its handle.
- Lift the grassflap (5), then guide the grassbag through the lower handle tube and fix to the rear of the unit by lining up the arrows marked ↓ on the cutter deck and grassbag top.
- Finally, when this is complete, gently release the grassflap (5) and it will return to sit onto the location area of the grassbag top (19).

Removing the grassbag

The full grassbag may be removed by raising the grassflap (5) and then lifting the grassbag up and through the lower handle.

Height of cut adjustment (Fig. F)



Warning! Remove safety key before making any adjustments and give the blade time to stop rotating; cutting blades are sharp.

F

- By moving the height of cut adjuster (20) at the rear of your machine outwards from the mower body and then up or down as required, the height of cut can be varied to give 5 positions.

Note: The 5 position height of cut adjuster is under tension when in the engaged position. It has to be sprung outwards to move it from one height setting to another and will spring back automatically into position when released.

- Settings 1, 2 and 3 are suitable for course or overgrown grass. Settings 4 and 5 should be used for maintaining cultivated lawns. Setting 5 should only be used if a very short cut is desired.

UK only

- To produce a stripe effect on your lawn, simply adjust the height of cut to its lowest position, setting 5, which will bring the roller into contact with the grass. The roller may be removed for cleaning by levering out one end to release the axle from its clip.

Maintenance of blades

The steel blade is designed to give a fine finish in long or tough grass.

If, however, because of damage or wear the cutting performance deteriorates, then the mower may require a new blade, or at least the existing blade to be sharpened.

We recommend that the steel blade is sharpened or a new blade fitted at the beginning of the season.

Replacement blades **A6157** are available from Black & Decker dealers and service centres.



Warning! When fitting a new blade use only the Black & Decker replacement part specified for your machine - do not attempt to fit any other blade.

Fitting new blade (Fig. G)



Observe all the relevant warnings before changing the blade.



Warning! Remove safety key before changing the blade.

- G1**
- Turn your machine over on its side so that the underside of the cutter deck is exposed.
 - Wear gloves to protect hands.
 - Using a cloth placed over the blade or heavy duty gloves to protect your hands, grip the blade and, using the spanner provided, loosen and remove the nut from the motor spindle. Turn the nut in an anti-clockwise direction to loosen it.
- G2**
- Remove nut (23), square washer (22), clutch plate (21) and blade.
 - To replace blade ensure the cutting edges of the blade are closest to the ground and place blade onto the combined mount.
- G3**
- Place the clutch plate over the shoulder of the combined mount protruding through the blade. Ensure to align the inside edges with the outside edges of the blade.
- G4**
- Place the square steel blade spacer on the motor shaft aligning the inside flats with the shaft and engaging the outside edges with the plastic clutch plate. Engage nut on shaft and turn it clockwise to tighten.
 - Ensure that removed parts are replaced correctly before use, incorrect assembly may result in damage to your mower and reduced cutting performance.

Note: This unit is fitted with a clutch plate (24), between the blade nut and the blade, which must be assembled correctly at all times. Damaged blade assembly parts must be replaced before use.

Overload protection

Your machine is fitted with overload protection.

If you work too quickly in long grass, or in heavy cutting conditions, you may overload the motor. This will be indicated by a significant drop in speed, and eventually, the overload protection will operate. This is not a fault but a safety device to protect your machine.

When this occurs, remove the safety key and wait for 1 to 2 minutes to allow to cool, clear any blockage ensuring the blade is free to rotate. To restart, replace the safety key and operate the switch lever.

If the cut-out operates again within 10 minutes, you should increase the height of cut (see "Height of cut adjustment").

Severe overloading may result in a longer delay on restarting. In such cases, after resetting, you should allow the motor to cool.

To obtain the best results:

- Cut the grass regularly.
- Do not cut wet grass.
- When the grass is longer than 10cm (4 inches), it is advisable to go over the lawn on a high cut setting and then finish using a lower setting.

Care and maintenance

The advice given in this section covers the general care and maintenance of the main body of your mower. Advice relating to the blades is given in "Maintenance of blades". Advice relating to the maintenance and storage of the battery is given in "Battery information".

- Always keep your machine clean and free from grass cuttings, especially the underside of the cutter deck and the air vents.
- At the end of each cutting session we recommend that the build up of grass on the underside of the cutter cover is removed using a blunt scraper, the spanner included with this mower may be used for this purpose.
- Clean all plastic components with a damp cloth.
- **Caution!** Do not use solvents or cleaning fluids as these may damage the plastic components of your mower.

Fault finding

If your mower does not operate correctly, use the following table to locate the problem.

Problem	Solution
Mower does not run when switch lever is activated	(a) Check to make sure safety key has been inserted correctly. (b) Remove the safety key, turn mower over and check that the blade is free to turn. (c) Has battery been fully charged? Plug in charger and wait for green light to come on.
Mower stops when mowing	(a) Remove safety key. Turn mower over and check that blade is free to turn. (b) Raise cutting height of wheels and start mower. (c) Has battery been fully charged. Plug in charger and wait for green light to come on. (d) Check that safety key has not fused. Replace if necessary.
Mower runs but cutting performance is unsatisfactory	(a) Has battery been fully charged? Plug in charger and wait for green light to come on. (b) Battery may need replacing. Refer to 'Battery disposal' section.
Mower is too hard to push	(a) Raise cutting height to reduce drag on grass. Check each wheel for ease of rotation.
Mower is abnormally noisy and vibrates	(a) Remove safety key. Turn unit on its side and check blade for damage. If damaged replace with Black & Decker replacement blade. (b) If there is no visible damage to the blade or underside of the mower return to your local service centre or authorised dealer.



Warning! Always remove safety key before carrying out any inspection.

Black & Decker lawn and garden guarantee

This guarantee provides 36 months parts cover and 12 months labour. Proof of purchase will be required.

If your Black & Decker product becomes defective, within the guarantee period, due to faulty materials and workmanship, we guarantee to either replace all defective parts, or at our discretion, replace the unit free of charge, provided that:

- The product is returned to us or our authorised repairers with evidence of purchase.

- The product has been used within the parameters of its consumer classification.
- The product has not been used for hire purposes.
- Repairs have not been attempted by anyone other than authorised repairer agents.
- The failure represents normal wear and tear.

This guarantee is offered as an extra benefit and is additional to your statutory rights.

What to do if your Black & Decker product needs repair

If your Black & Decker product should need repair the quickest and simplest way is to take or send it back to a Black & Decker authorised repair agent, providing proof of purchase if a guarantee repair is required.

If you have any difficulty, please contact our service and information centre (tel: 0345 230230) who will give you every assistance.

Our guarantee policy

Failures due to the following are not covered:

- Replacing worn or damaged blades, nylon line and chains, or cables damaged during storage or use. These are regarded as replacement items which wear during normal usage.
- Failures as a result of sudden impact or obvious abuse.
- Failures due to usage not in accordance with instructions and recommendations contained in the instruction manual.

The use of other than genuine Black & Decker accessories and parts may damage or reduce the performance of you Black & Decker product and may render the guarantee void.

Black & Decker after sales service

If you need any help or advice please contact your local Black & Decker authorised repair agent. A full directory is printed on the reverse of the parts drawing included with your mower.

Other Black & Decker products

Black & Decker has a full range of outdoor power tools that make life easy in the garden. If you would like further information on the following products, please contact Black & Decker service information centre at the address on the back cover, or contact your Black & Decker stockist.

Lawnmowers	Hedgetrimmers
Grass trimmers	Chainsaws
Lawnrakers	Compost shredder
Leafbuster	

EC Declaration of Conformity

We declare that unit: **GRC730**
conforms to 89/392/EEC, EN55104,
89/336/EEC, 73/23/EEC, EN60335, EN55014

A weighted sound pressure @ 4m 80dB (A)

A weighted sound power 91dB (A)

Hand/arm weighted vibration $<2.5\text{m/s}^2$



Brian Cooke

Director of Engineering
Spennymoor, County Durham DL16 6JG, United Kingdom

Australia	Black & Decker (A'asia) Pty Ltd 286-288 Maroondah Highway North Croydon, Victoria 3136	Tel: 03 9213 8200 Fax: 03 9726 7150
New Zealand	Black & Decker 483 Great South Road, Penrose, Auckland	Tel: 09 579 7600 Fax: 09 579 8200
South Africa	Powerdek Tool Distributors 22 Inglestone Road, Village Deep Johannesburg, South Africa	Tel: 011 493 4000 Fax: 011 493 6391
United Kingdom	Black & Decker 210 Bath Road Slough Berkshire SL1 3YD	Tel: 0345 230230 Tel: 01753 511234 Tlx: 848317 BAND MH Fax: 01753 551155

Address of the dealer where your lawnmower was purchased:

Date of your purchase:

Name: _____

House number or name and street: _____

Town: _____

County or state: _____

Postcode: _____

Country: _____

Product catalogue number: **GRC730**

Data protection act: Tick this box if you prefer **not** to receive information from Black & Decker or other companies.

Yes

Was your lawnmower a gift?

Was your lawnmower your first purchase?

Was your lawnmower bought as a replacement?

No

What was the price of your lawnmower? _____

Address of the dealer where your lawnmower was purchased:

GUARANTEE CARD

Australia: Call 1900 937766 (the maximum call charge is \$2.00 excluding tax)

New Zealand: Call 0900 97766 (the maximum call charge is \$2.00 excluding tax)

South Africa: After sales service, PO Box 5303, Johannesburg 2000

United Kingdom & Ireland: PO Box 821, Slough, Berkshire, SL1 3AR

Please cut out this section, put into a stamped addressed envelope and post immediately after the purchase of your lawnmower to the Black & Decker address in your country (above).

If you live in Australia or New Zealand, please register your purchase by phone.



Free Manuals Download Website

<http://myh66.com>

<http://usermanuals.us>

<http://www.somanuals.com>

<http://www.4manuals.cc>

<http://www.manual-lib.com>

<http://www.404manual.com>

<http://www.luxmanual.com>

<http://aubethermostatmanual.com>

Golf course search by state

<http://golfingnear.com>

Email search by domain

<http://emailbydomain.com>

Auto manuals search

<http://auto.somanuals.com>

TV manuals search

<http://tv.somanuals.com>