



## MY23PG Microwave Oven



### First Use Safety Recommendation

Please read through this booklet for safe and efficient use of the appliance. We urge you to read all the sections and also follow all detailed instructions even if you are familiar with a similar appliance.

Keep this guide handy for future reference.

**MY23PG**

## IMPORTANT SAFEGUARDS

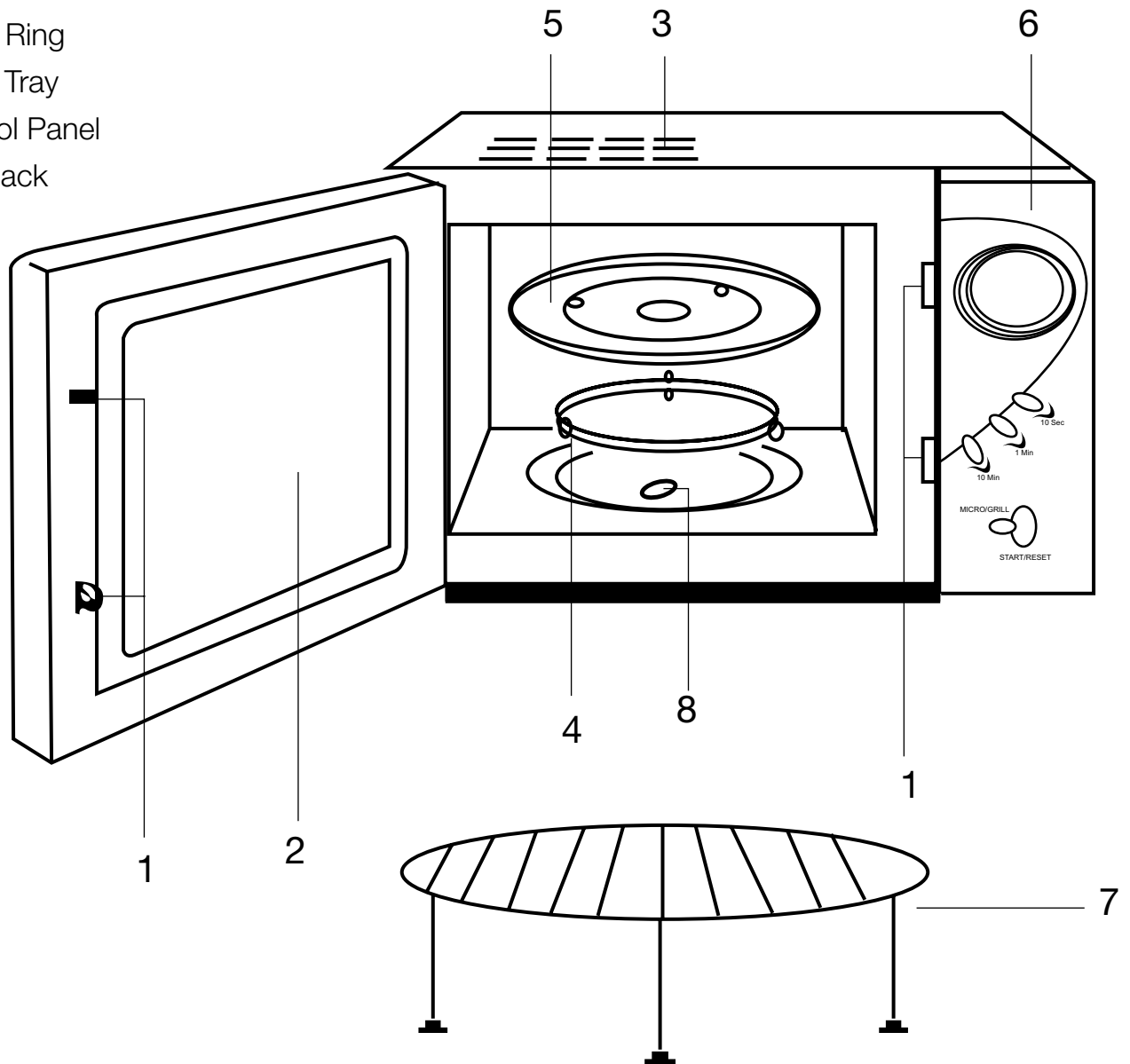
While using electrical appliances, in order to reduce the risk of fire, electric shock, and / or injury to persons, basic safety precautions should be followed, including the following:

- Read all instructions carefully, even if you are familiar with the appliance.
- To protect against the risk of electric shock, **DO NOT IMMERGE** the appliance, cord set or plug in water or other liquids.
- To clean, wipe the exterior with a damp cloth.
- Close supervision is necessary when any appliance is used by or near children. Never leave an appliance unattended when in use.
- Switch off and remove the plug from the power outlet when not in use, before assembling or disassembling parts, cleaning or carrying out any maintenance of the appliance. Never pull the cord while unplugging out from power outlet.
- Do not operate any appliance with a damaged cord or plug, or after the appliance malfunctions, or is dropped or damaged in any manner. Return the complete appliance to your nearest authorised service facility for examination, electrical repair, mechanical repair or adjustment to avoid any hazard.
- The use of attachments or accessories not recommended or sold by this appliance manufacturer may result in fire, electric shock or personal injury.
- Do not let the cord hang over the edge of a table, counter, or touch hot surfaces.
- Avoid touching hot surfaces, use handles and knobs.
- Do not operate or place any part of this appliance on or near any hot surfaces (such as gas or electric burner or in a heated oven).
- Do not abuse the cord. Never carry the appliance by the cord or yank it to disconnect it from the outlet; instead, grasp the plug and pull to disconnect.
- When using an extension cord with your appliance, make sure the extension cord is correctly wired, and rated for its use.
- This product is intended for household use only.
- Do not attempt to repair the appliance yourself; instead, take it to your Black & Decker-owned or Authorised Service Centre for repair.
- Keep children and animals away from the unit and cord set.

**SAVE THESE INSTRUCTIONS**

## Parts Identification

1. Door Safety Lock System
2. Oven Window
3. Oven Air Vent
4. Roller Ring
5. Glass Tray
6. Control Panel
7. Grill Rack
8. Shaft



## Your 23 Litre Microwave Oven Features

- **23 Litre capacity** ideal for a large family
- **Quick Minute Buttons** facilitates easy setting of time and power.
- **Programming buttons** to set cooking programs for either microwave or grill functions
- **Combination buttons** allows you to set a combination cooking session.
- **Weight defrost function** allows you to set the defrosting cycle depending upon the weight of food.
- **Cancel function** overrides all previous settings
- **Start button** begins the cooking program
- **Metal rack** for grilling of foods
- **Options** for selecting the desired power level for cooking
- **Child safety lock** for safety of kids

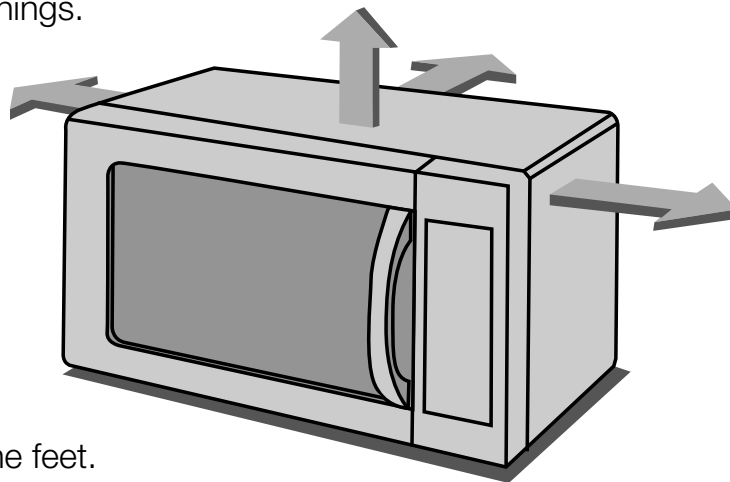
## How to install your Microwave Oven:-

Make sure that the packaging material is removed from the inside of the door.

**WARNING:** Check the microwave oven for any damage, such as misaligned or bent door, damaged door seals and sealing surface, broken or loose door hinges and latches and dents inside the cavity or on the door. The door should fit squarely, securely and close smoothly. The door seals must be free from food and have no burn marks. If there is any damage, please do not operate the microwave oven and contact a qualified service person.

### Practical Hints:-

- The microwave oven should be placed on a flat stable surface which can hold the weight of the microwave oven and the heaviest of food likely to be cooked inside.
- Do not place the microwave oven where heat, moisture, or high humidity are generated or near combustible materials.
- For correct operation, the microwave oven must have sufficient airflow. This requires a gap of 30 cms above, 10 cms at the back and 15 cms on both the sides. Do not cover or block any openings.



- Do not remove the feet.
- Do not place anything on top of the oven.
- Do not operate the microwave oven without the glass tray, roller support & the shaft in their proper positions.
- Make sure that the power supply cord is undamaged and does not run under the microwave oven or over any hot or sharp surfaces.
- Ensure that the socket is readily accessible so that it can be easily unplugged in case of emergency.
- Do not use the microwave oven outdoors.
- The appliance must be grounded. The oven is equipped with a cord having a grounding wire with a grounding plug. It must be plugged into a wall socket that is properly installed and grounded as it reduces the risk of electric shock in case of short circuit. Using a high voltage is dangerous and may result in a fire or other accidents causing the oven damage.

**NOTE:** Improper use of the grounding plug can result in a risk of electric shock. The microwave oven should be operated on a separate circuit from other appliances. Failure to do so may cause the power board fuse to blow, and or food to cook slower.

## How to use your Microwave Oven :-

The appliance is intended to heat, cook or dry food for indoor household use only.

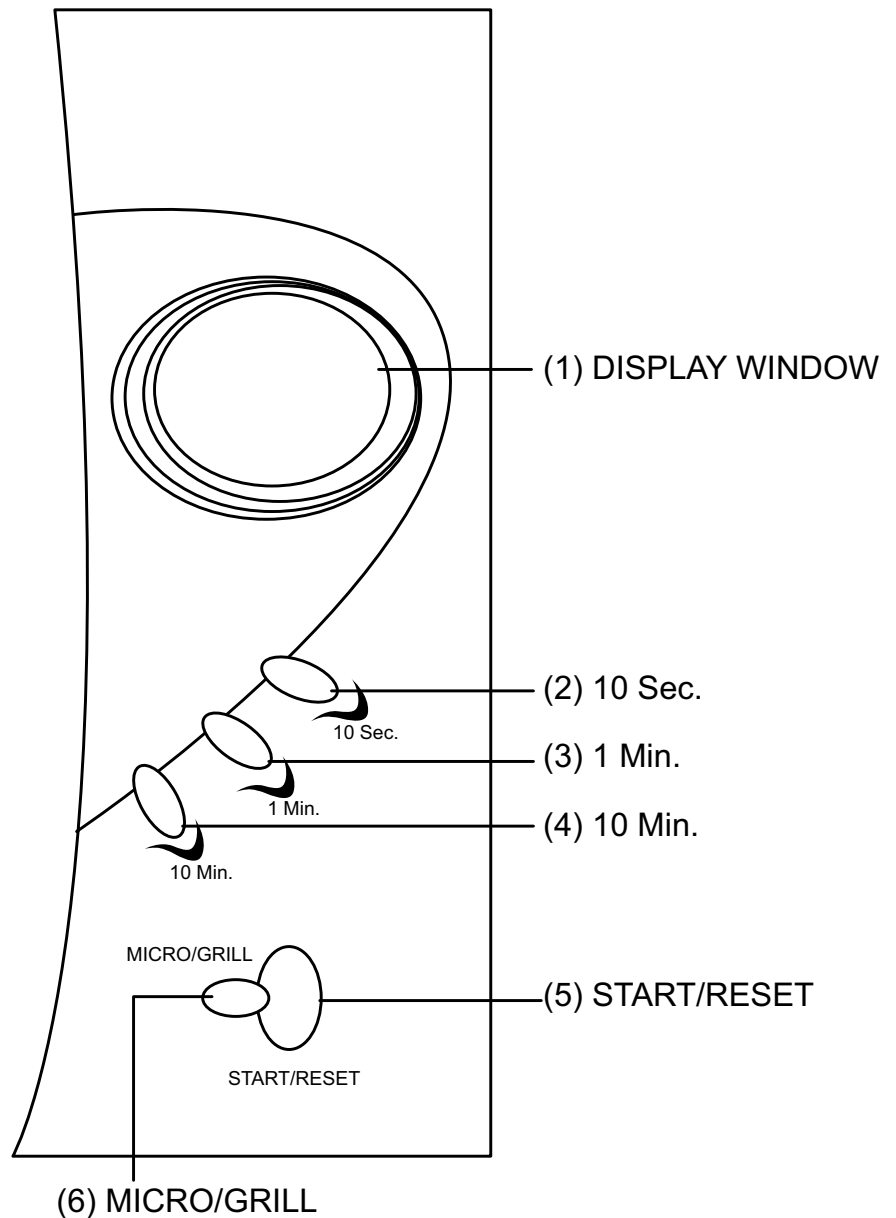
- Arrange the food carefully. Place the thickest area towards the outside of the dish.
- Watch the cooking time. Cook for the shortest amount of time and add more as required. Food severely overcooked can smoke or ignite thereby causing damage.
- Ensure that you cover your food while cooking. Covers prevent splattering and the food cooks evenly.
- Turn the food over once during the cycle to speed cooking of foods such as chicken and burgers. Large items like roasts must be turned over at least once.
- Rearrange foods such as meat balls halfway through the cooking cycle both from top to bottom and center of the dish to the outside.

### CONTROL PANEL:-

#### Simple Cooking:

To start cooking press Start/Reset button to start cooking for 1 min. with 100% microwave power. With each press of the button the time increases by another minute, the maximum time being 30 minutes.

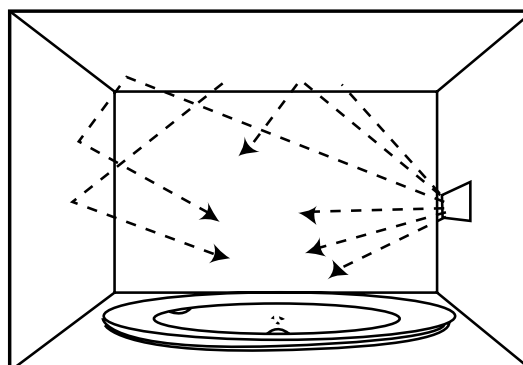
After cooking is complete for the specified time then the oven will sound 5 beeps as a reminder.



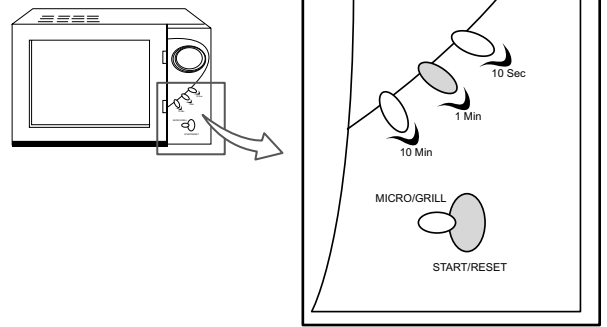
### Microwave Cooking

#### 1. Fast Cooking Method:-

( eg : Select 100% power to cook foods for 5 minutes)



- a. Set the time to "5:00" by pressing the 1 min. button five times.
- b. Press the Start/reset button.



**2. Micro/Grill setting:-**

You can press Micro/Grill button to select power.

Press	Display	Micro Power
1	P10	100%
2	P7	70%
3	P5	50%
4	P3	30%
5	P1	10%

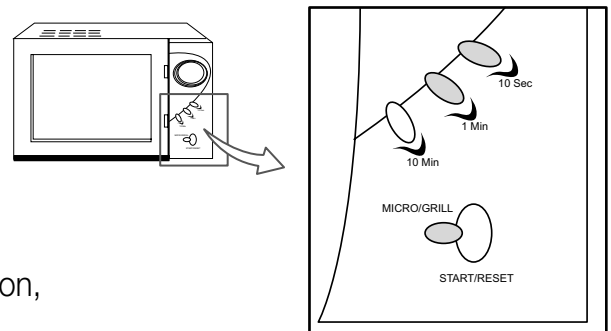
Eg : Select 70% power to cook foods for 10 minutes

- a. press "Micro/Grill" button to select 70% power
- b. press 10 min. time button once to set cooking time "10:00"
- c. Press "Start/Reset" Button.

**3. Auto Defrost Function:-**

Press the Micro/Grill button till it displays "DEF" on the display screen.

Please select the "1min" button ( 1Kg) and 10 sec button (0.1 Kg) according to the weight of the food. The oven will automatically select the defrosting program and auto start defrosting.



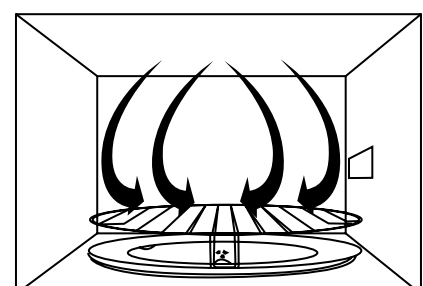
Eg : defrost 0.4Kg frozen foods

- a. Press "Micro/Grill" button to choose defrost function, display will show "DEF".
- b. Press "10 Sec" button four times to set the weight as 0.4kg
- c. Press Start/Reset Button.

*Note: The Oven is programmed for a maximum weight of 2Kgs.*

**4. Grill & Combination Cooking function:-**

This function has four modes. You can choose the favourite mode by pressing the "Micro/Grill" button. (The maximum time limit is 60 minutes)

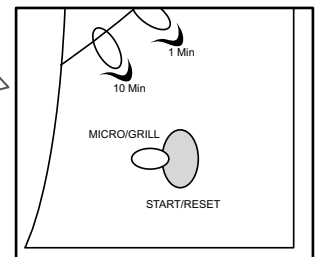
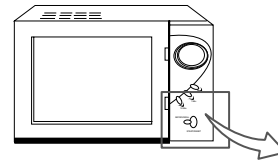


Mode	Grill Power	Display
1	85%	G-1
2	50%	G-2
3	Combination cook - 1 (55% Micro + 45% Grill)	C-1
4	Combination cook - 2 (30% Micro + 70% Grill)	C-2

**Note:** During bare Grill operation only, the oven will pause automatically and sound two beeps to remind you that the food needs to be turned at half the cooking time. Close the door after you have turned over the food, then press Start/reset button, cooking will resume. If you do not want to turn over the food, the oven will continue cooking automatically after a pause of one minute.

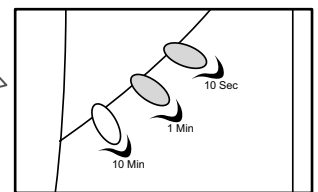
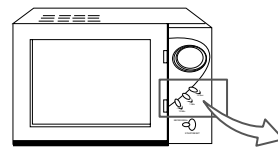
### 5. Start and reset:-

- Press the "Start/Reset" button to cancel setting or cooking program.
- Press the "Start / Reset" button to start cooking after setting cooking program.
- Press the "Start/Reset" to resume cooking when the cooking is in pause mode.
- Press the "Start / Reset" button to stop working when the oven is operating.



### 6. Child Safety Lock:-

To activate the child safety lock, press "1Min." and "10 Sec." bottom at the same time for 2 seconds. You will hear a beep confirming that all the buttons on your control panel have become non-functional. Press the "1Min." and "10 Sec." bottom at the same time for 2 seconds once again to unlock the child lock.



### How to care for your Microwave:-

- Use utensils which allow the energy to pass through the container and heat the food. Only use a temperature probe recommended for this microwave oven.
- Do not use metal or dishes with metallic rim.
- Do not use recycled paper products as they may contain small metal fragments which may cause sparks or fires.
- Round or oval dishes are recommended rather than square / oblong once as food in corners tend to overcook.
- The oven should be cleaned occasionally, particularly around the door seal area.
- Keep the inside of oven clean. When food splatters or spilled liquids adhere to oven walls, wipe with a damp cloth. Mild detergent may be used if the oven gets very dirty. Avoid the use of spray or other harsh cleaners as they may stain, streak or dull the door surface.
- Turn off the oven and remove the power plug from the socket before cleaning.
- The outside surfaces should be cleaned with damp cloth. To prevent damage to the operating parts inside the oven, water should not be allowed to seep into the ventilating openings.
- Wipe the door and window, sides of the oven, the door seals and adjacent parts frequently with a damp cloth to remove any spills or splatters. Do not use abrasive cleaners.
- Do not allow the operating panel to become wet. Clean with a soft damp cloth. When cleaning the control panel, leave the oven door open to prevent the oven from accidentally turning on.
- If steam accumulates inside or around the outside of the oven door, wipe with a soft cloth. This may occur when the microwave oven is operated under high humidity condition and it is normal.

- The roller ring and oven floor should be cleaned regularly to avoid excessive noise. Simply wipe the bottom surface of the oven with mild detergent. The roller ring may be washed in mild sudsy water or dishwasher. When removing the roller ring from the cavity floor for cleaning be sure to replace in the proper position.
- Remove odours from your oven by combining a cup of water with juice and skin of lemon in a deep microwaveable bowl. Microwave for 5 minutes. Wipe thoroughly and dry with soft cloth.
- When it becomes necessary to replace the oven light, please contact the nearest Black & Decker service concessionaire.

### **Important Instructions:-**

1. Do not tamper with or deactivate the interlocking device on the door.
2. Never poke an object, particularly a metal object between the door and the oven when the oven is in operation.
3. Do not operate the microwave when empty.
4. To reduce the risk of fire in the oven cavity :-
  - a. when heating the food in plastic or paper container, keep an eye on the oven for the possibility of an ignition.
  - b. Remove the wire twist ties from paper or plastic bags before placing in the oven.
  - c. If smoke is observed, switch off or unplug the microwave oven and keep the door closed to stifle any flames.
  - d. Do not use the cavity for storage purposes. Do not leave paper products, cooking utensils or food in the cavity when not in use.
5. Liquid or other foods must not be heated in sealed containers as they are liable to explode.
6. Microwave heating of beverages can result in delayed eruptive boiling; therefore care has to be taken when handling the container.
7. Do not fry food in the oven. Hot oil can damage oven parts and utensils and even result in skin burns.
8. Eggs in their shell and whole hard boiled eggs should not be heated in the microwave ovens since they may explode even after microwave heating has ended.
9. Pierce foods with heavy skins such as potatoes, whole squashes, apples and cashewnuts before cooking.
10. The content of feeding bottles and baby food jars should be stirred or shaken and the temperature should be checked before serving in order to avoid burns.
11. Utensils should be checked to ensure that they are suitable for use in microwave oven. (please refer to table provided below). You can also carry out a test to ensure that it is microwave safe. Place the empty utensil in the microwave oven at high power for 60 seconds. A utensil which becomes very hot should not be used. Never do this with metal utensils.

<b>COOKWARE</b>	<b>MICROWAVE</b>	<b>GRILL</b>	<b>COMBINATION</b>
Heat Resistant Glass	Yes	Yes	Yes
Non Heat Resistant Glass	No	No	No
Heat Resistant Ceramics	Yes	Yes	Yes
Microwave safe plastic dishes	Yes	No	No
Kitchen Paper	Yes	No	No
Metal Tray	No	Yes	No
Metal Rack	No	Yes	No
Aluminium Foils & Foil Containers	No	Yes	No



12. Do not remove the outer panel from the oven.
13. Do not strike or hit the control panel. Damages can occur.
14. Oven gloves / Pot holders may be needed as heat from food is transferred to the cooking container and from the container to the glass tray. The glass tray can be very hot after removing the cooking container from the oven.
15. Cooking utensils may become hot because of the heat transferred from the heated food. Oven gloves / pot holder should be used needed to handle to utensils.
16. Do not store flammable materials next to, in or on top of the oven. They could be a fire hazard.
17. Do not cook food directly on the glass tray unless indicated in the recipes. (food should be placed in a suitable cooking utensil)
18. Do not use this oven to heat chemicals or other non-food products. Do not clean this oven with any other product that is labeled as containing corrosive chemicals. The heating of corrosive chemicals in the oven may cause microwave radiation leaks.
19. Never use the oven rack when cooking in the microwave mode.
20. Do not use the oven for home canning or heating for any closed jar. Pressure will build up and the jar may explode. In addition, the microwave oven cannot maintain the food at the correct canning temperature. Improperly canned food may spoil and be dangerous to consume
21. Its hazardous for anyone other than a competent person to carry out any service or repair operation that involves the removal of a cover that gives protection against exposure to microwave energy.
22. Do not allow children to use the oven without supervision. They should operate only when adequate instructions have been given so that the child is able to use that oven in a safe way and understands the hazards of improper use.
23. Failure to maintain the oven in a clean condition could lead to deterioration of the surface that could adversely affect the life of the appliance and possible result in a hazardous situation. Regular cleaning is advised.
24. It is not recommended that this product is used by children
25. Never leave metal utensils in microwave.

### **BEFORE REQUESTING SERVICE:-**

Things which may happen and are normal

1. You may experience some radio interference to your radio, TV or similar equipment. When there is interference, it may be reduced or eliminated by taking the following measures:
  - a) Clean the door and sealing surfaces of the oven.
  - b) Reorient the receiving antenna of radio or television.
  - c) Relocate the microwave oven with respect to the receiver.
  - d) Move the microwave oven away from the receiver
  - e) Plug the microwave oven into a different outlet so that microwave oven and receiver are on different branch circuits.
2. During cooking, when food heats up, the warm air generated circulates inside the oven cavity which may escape through the vents. Some of it may condense into steam and accumulate on the oven door.
3. There may be humming and clicking sound when cooking by Combination as the oven automatically switches from microwave power to Grill to create a combination setting making the sound.

PROBLEM	POSSIBLE CAUSE	REMEDY
Oven will not turn on	The oven is not properly connected	Remove the plug from the socket. Wait for 10 seconds and then reinsert.
	Circuit breaker or fuse is tripped	Reset the circuit breaker or replace the fuse.
	The socket may not be working	Test the socket with another appliance.
Oven will not start cooking	The door is not properly closed	Close the door properly.
	START button was not pressed	Press the START button.
	Another program has already been entered in the oven.	Press cancel button to cancel the program and then program again.
	The program has not been properly entered	Program properly according to Operating Instructions
	CANCEL button was pressed accidentally	Program the oven over again
When the oven is on, noise is emitted from the glass tray	The roller ring and the oven button are dirty	Clean the parts according to 'How to care for your Microwave Oven'.

### Protecting the environment



Separate collection. This product must not be disposed off with normal household waste.

Should you find one day that your Black & Decker product needs replacement, or if it is of no further use to you, do not dispose it off with other household waste. Make this product available for separate collection.



Separate collection of used products and packaging allows materials to be recycled and used again. Use of recycled materials helps prevent environmental pollution and reduces the demand for raw materials.

Local regulations may provide for separate collection of electrical products from the household, at municipal waste sites or by the retailer when you purchase a new product.

Black & Decker provides a facility for the collection and recycling of Black & Decker products once they have reached the end of their working life. To take advantage of this service please return your product to any authorised repair agent who will collect it on our behalf. You can check the location of your nearest authorised repair agent by contacting your local Black & Decker office at the address indicated in this manual.

المشكلة	السبب المحتمل	الحل
الفرن لا يعمل.	الفرن لا يعمل. الفرن غير موصل بشكل صحيح.	أزل المقبس من مصدر الكهرباء، إنتظر ١٠ دقائق ثم أدخله من جديد.
	قاطع الدارة الكهربائية توقف عن العمل.	أعد ضبط قاطع الدارة الكهربائية أو استبدل الفاصمة.
	مقبس الكهرباء لا يعمل.	إفحص مقبس الكهرباء بجهاز آخر.
الفرن لا يبدأ بطبخ الطعام.	الباب غير مغلق بشكل صحيح.	أغلق الباب بشكل صحيح.
	لم تضغط على زر البدء.	إضغط على زر البدء.
	تم إدخال برنامج آخر في الفرن.	إلغاء البرنامج إضغط على زر الإلغاء، ثم برمج من جديد.
	لم يتم إدخال البرنامج بشكل صحيح.	برمج بشكل صحيح حسب إرشادات التشغيل.
	تم الضغط على زر الإلغاء بطريق الخطأ.	برمج الفرن من جديد.
عند تشغيل الفرن، تصدر ضجة من الصينية الزجاجية.	الحلقة الدوارة وأزرار الفرن متسخة.	نظف الأجزاء حسب إرشادات "كيفية العناية بفرن المايكرويف".

### حماية البيئة



يجب عدم التخلص من هذا المنتج مع بقية النفايات المنزلية.

إذا وجدت في يوم من الأيام أنك بحاجة لشراء جهاز بلاك أند ديكر جديد، أو لم تعد بحاجة للجهاز القديم، لا تتخلص منه مع النفايات المنزلية الأخرى. جهز هذا المنتج للإستلام المنفصل.



الإستلام المنفصل للمنتجات المستعملة ومواد التغليف يسمح بإعادة تصنيع المواد واستعمالها من جديد. إستعمال المواد المعاد تصنيعها يساعد على منع التلوث البيئي ويقلل الطلب على المواد الأولية.

الأنظمة المحلية قد تنص على ضرورة الإستلام المنفصل للمنتجات الكهربائية من المنازل، في مواقع البلدية للنفايات أو بواسطة بائع التجزئة عندما تشتري منتجاً جديداً.

توفر بلاك أند ديكر التسهيلات لاستلام وإعادة تصنيع منتجات بلاك أند ديكر عندما تصل إلى نهاية حياتها العملية. للإستفادة من هذه الخدمة، يرجى إعادة جهازك إلى أي وكيل تصليح معتمد والذي سيقوم باستلامه بالنيابة عنا. يمكنك معرفة موقع أقرب وكيل تصليح معتمد بالنسبة لك بمراجعة مكتب بلاك أند ديكر المحلي على العنوان المبين في هذا الكتيب.

- ١٢ تجنب إزالة اللوحة الخارجية من الفرن.
- ١٣ لا توجه ضربات إلى لوحة التحكم لأن ذلك قد يؤدي إلى تلفها.
- ١٤ قد تدعو الحاجة لاستخدام قفازات الفرن/حمالات الأواني نظراً لأن الحرارة تنتقل من الطعام إلى وعاء الطبخ ومنه إلى الصينية الزجاجية. قد تكون الصينية الزجاجية شديدة السخونة بعد إزالة وعاء الطبخ من الفرن.
- ١٥ تجنب حفظ مواد قابلة للاشتعال بجوار أو داخل أو فوق الفرن، لأن ذلك قد يؤدي لحدوث حريق.
- ١٦ لا تطبخ الطعام مباشرة على الصينية الزجاجية إلا إذا ورد ذلك في وصفة الطعام. (يجب وضع الطعام في وعاء مناسب).
- ١٧ لا تستعمل هذا الفرن لتسخين المواد الكيميائية أو أية منتجات أخرى غير غذائية. لا تنظف هذا الفرن بأي منتج يحتوي على مواد كيميائية كاشطة. إن تسخين المواد الكيميائية الكاشطة في الفرن قد يؤدي إلى تسرب إشعاعي من الفرن.
- ١٨ لا تستعمل رف الفرن عند الطبخ بطريقة المايكرويف.
- ١٩ لا تستعمل الفرن للتعليب المنزلي أو للتسخين في مرطبان مغلق. يتزايد الضغط وقد ينفجر المرطبان. إضافة إلى ذلك، لا يستطيع فرن المايكرويف المحافظة على الطعام بدرجة الحرارة الصحيحة للتعليب. الطعام المعطب بشكل غير صحيح قد يفسد ويصبح استهلاكه خطراً على الصحة.
- ٢٠ توجد خطورة في قيام أي شخص غير مؤهل بإجراء أية أعمال صيانة أو تصليح تتطلب إزالة الغطاء الذي يوفر الحماية من التعرض لطاقة المايكرويف.
- ٢١ لا تسمح للأطفال باستعمال الفرن بدون إشراف شخص كبير. يجب على الأطفال عدم تشغيل الفرن إلا بعد إعطائهم التعليمات اللازمة ليكونوا قادرين على استعمال الفرن بأمان وفهم مخاطر الإستعمال غير الصحيح.
- ٢٢ عدم المحافظة على نظافة الفرن قد تؤدي إلى تدهور حالة السطح مما قد يؤثر بشكل سلبي على عمر الجهاز ويمكن أن يؤدي إلى مخاطر. ينصح بالتنظيف المنتظم.
- ٢٣ لا ينصح باستخدام هذا المنتج بواسطة الأطفال.
- ٢٤ لا تترك أية أوعية معدنية في المايكرويف.

### قبل طلب الخدمة

بعض الأشياء التي قد تحدث وتكون طبيعية:

- ١ قد يحدث بعض التشويش على الراديو أو التلفزيون أو الأجهزة المماثلة. يمكن تخفيف التشويش أو إزالته باتباع الإجراءات التالية:
  - أ) نظف الباب وموانع التسرب في الفرن.
  - ب) أعد توجيه هوائي الاستقبال في الراديو أو التلفزيون.
  - ت) بدل موقع المايكرويف بالنسبة لنظام الاستقبال.
  - ث) إنقل فرن المايكرويف بعيداً عن نظام الاستقبال.
  - ج) تأكد من وصل فرن المايكرويف إلى مقبس كهربائي مختلف لكي لا يكون الفرن وجهاز الاستقبال على نفس الدارة الكهربائية الفرعية.
- ٢ أثناء الطبخ، وعندما يسخن الطعام، فإن الهواء الدافئ الناتج يدور داخل الفرن وقد يتسرب قليل منه عبر فتحات التهوية. قد يتكثف بعض هذا الهواء على شكل بخار ويتراكم على باب الفرن.
- ٣ قد يصدر صوت طنين أو قرقرة أثناء الطبخ المتوافق لأن الفرن ينتقل أوتوماتيكياً من قوة المايكرويف إلى الشوي لتطبيق العيار المتوافق مما يؤدي إلى صدور الصوت.

- يجب تنظيف الحلقة الدوارة وأرضية الفرن بانتظام لتجنب الضجيج الزائد. ببساطة إمسح السطح السفلي للفرن بمنظف خفيف. يجب غسل الحلقة الدوارة في ماء متوسط الرغوة أو في غسالة الصحون. عند إزالة الحلقة الدوارة من أرضية الفرن تأكد من إعادتها في الوضعية الصحيحة.
- أزل الروائح من الفرن بمزج كوب من الماء مع عصير وقشرة ليمونة في وعاء عميق قابل للاستعمال في المايكرويف. شغل المايكرويف لمدة ٥ دقائق. إمسح بشكل كامل وجفف بقطعة قماش ناعمة.
- عندما يصبح من الضروري استبدال ضوء الفرن، يرجى الاتصال بأقرب وكيل لخدمة بلاك أند ديكر.

### إرشادات هامة

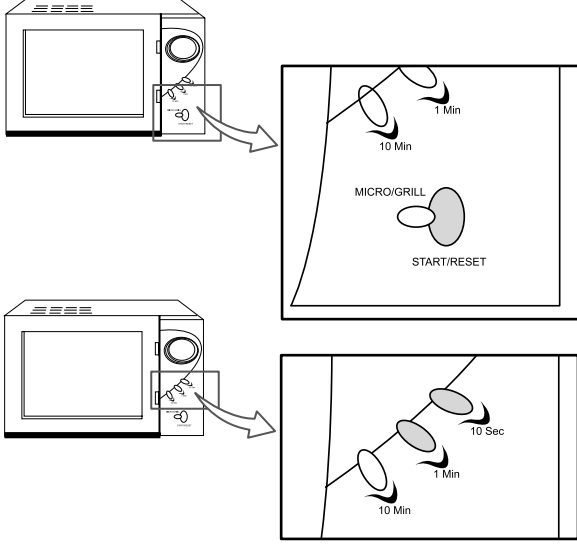
- ١ لا توقف أو تعبت بجهاز التعشيق في باب الفرن.
- ٢ لا تقم بإدخال أي شيء، خصوصاً إذا كان معدنياً، بين الباب والفرن أثناء تشغيل الفرن.
- ٣ تجنب تشغيل الفرن عندما يكون فارغاً.
- ٤ لتقليل خطورة نشوب حريق داخل الفرن:
  - أ) عند تسخين الطعام في وعاء بلاستيكي أو ورقي، راقب الفرن للتأكد من عدم حدوث اشتعال.
  - ب) أزل أسلاك الإغلاق الملتوية من الأكياس الورقية أو البلاستيكية قبل وضعها في الفرن.
  - ت) إذا لاحظت ظهور دخان، أطفئ فرن المايكرويف أو أزل سلك الطاقة من مصدر الكهرباء وتأكد من بقاء الباب مغلقاً لإخماد أي لهب.
  - ث) لا تستعمل الفرن للتخزين. لا تترك أية منتجات ورقية، أو اني مطبخية أو أطعمة داخل الفرن عند عدم استعماله.
- ٥ يجب عدم تسخين السوائل أو الأطعمة الأخرى في عبوات مختومة لأنها قد تنفجر.
- ٦ تسخين السوائل بالمايكرويف قد يؤدي إلى حدوث غليان متأخر، لذلك يجب الحرص عند حمل الوعاء.
- ٧ تجنب قلي الطعام في المايكرويف. الزيت الحار قد يتلف أجزاء الفرن والأواني وقد يؤدي إلى إصابة البشرة بالحروق.
- ٨ يجب عدم تسخين البيض في قشرته أو البيض المسلوق جيداً في أفران المايكرويف لأنه قد ينفجر حتى بعد انتهاء التسخين بالمايكرويف.
- ٩ إثقب الأطعمة ذات القشرة السميكة مثل البطاطا، القرع الكامل، التفاح وفسنق الكاجو قبل طبخها في المايكرويف.
- ١٠ يجب تحريك أوج محتويات زجاجات الرضاعة أو مرطبات الأطفال كما يجب التأكد من الحرارة قبل إعطاء هذه الأطعمة لمنع تسبب الحروق.
- ١١ يجب التأكد من أن الأواني مناسبة للإستعمال في أفران المايكرويف. (يرجى الرجوع إلى الجدول أدناه.) يمكنك أيضاً إجراء اختبار للتأكد من أن استعمالها مأمون في المايكرويف. ضع الوعاء الفارغ في فرن المايكرويف بالقوة العالية لمدة ٦٠ ثانية. إذا أصبح الوعاء شديد السخونة يجب عدم استعماله في المايكرويف. تجنب إجراء الاختبار على الأوعية المعدنية.

وعاء الطبخ	المايكرويف	المشواة	المتوافق
زجاج مقاوم للحرارة	نعم	نعم	نعم
زجاج غير مقاوم للحرارة	لا	لا	لا
سيراميك مقاوم للحرارة	نعم	نعم	نعم
صحنون بلاستيكية مناسبة للمايكرويف	نعم	لا	لا
ورق المطبخ	نعم	لا	لا
صينية معدنية	لا	نعم	لا
رف معدني	لا	نعم	لا
ورق معدني وأوعية مصنوعة منه	لا	نعم	لا

الشاشة	قوة الشوي	الطريقة
G-1	٪٨٥	١
G-2	٪٥٠	٢
C-1	الطبخ المتوافق - ١ (٪٥٥ مايكرو + ٪٤٥ شوي)	٣
C-2	الطبخ المتوافق - ٢ (٪٣٠ مايكرو + ٪٧٠ شوي)	٤

ملاحظة: عند الشوي فقط، يتوقف البرنامج أوتوماتيكياً ويعطي تنبيهاً صوتياً مرتين، لتذكيرك بأن تقلب الطعام في منتصف زمن الطبخ. بعد قلب الطعام، أغلق الباب واضغط على زر "Start/Reset" وسوف يستمر الطبخ. إن كنت لا تريد قلب الطعام، فإن الطبخ يستمر بعد التوقف لمدة دقيقة واحدة.

#### ٥ البدء/إعادة الضبط



- إضغط على زر "Start/Reset" لإلغاء عيارات الضبط أو برنامج الطبخ.
- إضغط على زر "Start/Reset" لبدء الطبخ بعد ضبط برنامج الطبخ.
- إضغط على زر "Start/Reset" لمواصلة الطبخ بعد التوقف المؤقت.
- إضغط على زر "Start/Reset" لوقف التشغيل أثناء تشغيل الفرن.

#### ٦ ميزة قفل سلامة الأطفال

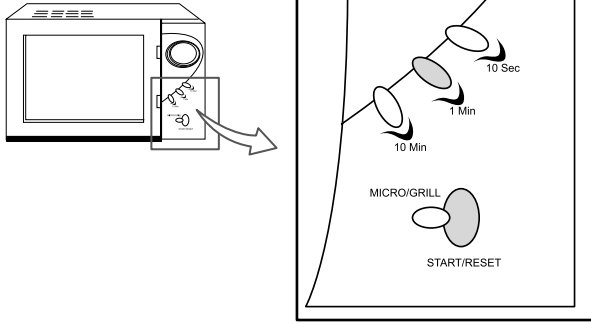
لتشغيل قفل سلامة الأطفال، إضغط على أزرار "1Min" و"10Sec" في نفس الوقت لمدة ثانيتين. ستسمع تنبيهاً صوتياً يؤكد أن جميع الأزرار على لوحة التحكم أصبحت غير قابلة للتشغيل. إضغط من جديد على أزرار "1Min" و"10Sec" في نفس الوقت لمدة ثانيتين لفتح قفل سلامة الأطفال.

#### كيفية العناية بفرن المايكرويف

- إستعمل الأواني التي تسمح بمرور الطاقة عبرها لتسخين الطعام. إستعمل مجس الحرارة الذي ينصح باستعماله لهذا الفرن.
- لا تستعمل العبوات المعدنية أو صحن ذات حافة معدنية.
- لا تستعمل منتجات ورقية معاد تصنيعها لأنها قد تحتوي على أجزاء معدنية صغيرة يمكن أن تسبب حدوث الشرار أو الحريق.
- ينصح باستعمال الصحن المستديرة أو البيضاوية أكثر من الصحن المربعة/المستطيلة حيث يمكن أن يتعرض الطعام الموجود في الزوايا للطبخ الزائد.
- يجب تنظيف الفرن من وقت لآخر، خصوصاً حول منطقة موانع التسرب في الباب.
- يجب المحافظة على النظافة داخل الفرن. عندما يتناثر الطعام أو تنسكب السوائل، نظف داخل الفرن بقطعة قماش مبللة. يمكن استعمال منظف خفيف إذا أصبح الفرن شديد الإتساخ. تجنب استعمال البخاخ أو المنظفات القاسية الأخرى لأنها قد تسبب ظهور البقع أو الخطوط على سطح الباب أو تؤدي إلى بهتانها.
- أطفئ الفرن وأزل المقبس من مصدر الطاقة قبل التنظيف.
- يجب تنظيف الأسطح الخارجية بقطعة قماش مبللة. لمنع تسبب الضرر للقطع العاملة داخل الفرن، يجب عدم السماح للماء بالتسرب داخل فتحات التهوية.
- إمسح الباب والنافذة، جوانب الفرن، موانع التسرب في الباب والقطع المجاورة بقطعة قماش مبللة بانتظام لإزالة أي طعام متناثر أو شراب منسكب. لا تستعمل منظفات مسببة للكشط.
- لا تسمح بتبلل لوحة التشغيل. نظفها بقطعة قماش ناعمة. عند تنظيف لوحة التحكم، إترك باب الفرن مفتوحاً لمنع تشغيل الفرن بطريق الخطأ أثناء التنظيف.
- إذا تراكم البخار داخل أو خارج باب الفرن، إمسحه بقطعة قماش ناعمة. قد يحدث ذلك عند تشغيل الفرن في أجواء عالية الرطوبة وهذا شيء طبيعي.

- إضبط الوقت على "٥:٠٠" دقائق بالضغط على زر "1Min" ٥ مرات.

- إضغط على زر "Start/Reset".



## ٢ عيار المايكرو/الشوي

يمكنك الضغط على زر "Micro/Grill" لاختيار القوة.

إضبط	الشاشة	قوة المايكرويف
١	P10	٪١٠٠
٢	P7	٪٧٠
٣	P5	٪٥٠
٤	P3	٪٣٠
٥	P1	٪١٠

مثلاً: إختتر قوة ٪٧٠ لطبخ الطعام لمدة ١٠ دقائق.

(أ) إضغط على زر "Micro/Grill" لاختيار قوة ٪٧٠.

(ب) إضغط على زر "10Min" مرة واحدة لضبط زمن الطبخ على "١٠:٠٠" دقائق.

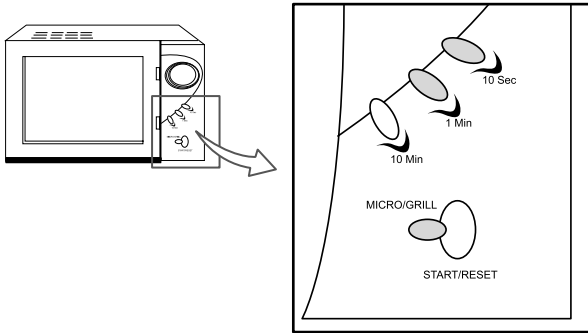
(ت) إضغط على زر "Start/Reset".

## ٣ إزالة التجميد أوتوماتيكياً

إضغط على زر "Defrost" وستظهر الأحرف "DEF" على الشاشة.

إختتر زر "1Min" (١ كجم) و زر "10Sec" (١,٠ كجم) حسب وزن الطعام. يختار الفرن أوتوماتيكياً برنامج إزالة

التجميد ويبدأ بإزالة التجميد أوتوماتيكياً.



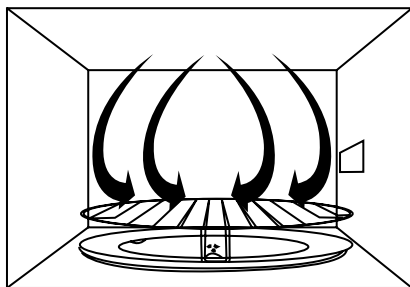
مثلاً: إزالة التجميد من ٠,٤ كجم طعام مجمد.

(أ) إضغط على زر "Defrost" لاختيار إزالة التجميد وستظهر الأحرف "DEF".

(ب) إضغط على زر "10Sec" ٤ مرات لضبط الوزن على ٠,٤ كجم.

(ت) إضغط على زر "Start/Reset".

ملاحظة: يجب أن يكون وزن الطعام المجمد لا أكثر من ٢ كجم.



## ٤ ميزة الشوي والطبخ المتوافق

تشمل هذه الميزة ٤ طرق. يمكنك اختيار طريقتك المفضلة

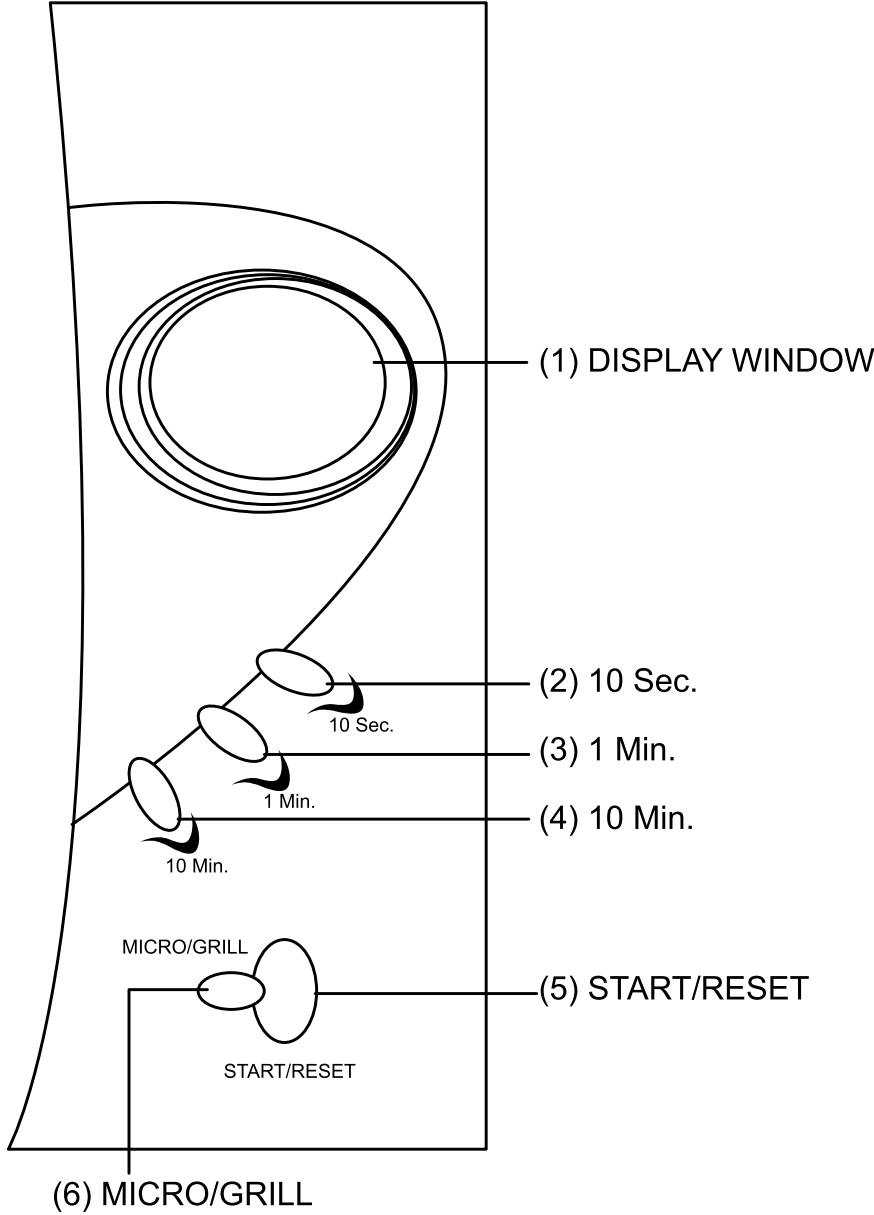
بالضغط على زر "Micro/Grill".

(الفترة الزمنية القصوى هي ٦٠ دقيقة)

## كيفية استعمال فرن المايكرويف:

الجهاز مخصص لتسخين أو طبخ أو تجفيف الطعام وللاستعمال داخل المنازل فقط.

- رتب الطعام بعناية. ضع المنطقة الأكثر سماكة نحو خارج الصحن.
- راقب زمن الطبخ. إطبخ لأقصر فترة زمنية ثم أضف المزيد إذا دعت الحاجة. الطبخ الزائد للطعام قد يؤدي إلى انبعاث دخان أو اشتعال الطعام مما يسبب الضرر.
- تأكد من تغطية الطعام أثناء الطبخ. التغطية تمنع التناثر ويتم طبخ الطعام بشكل متماثل.
- إقلب الطعام مرة واحدة أثناء الدورة لتسريع طبخ أطعمة معينة مثل الدجاج والبيزر. الأطعمة الكبيرة مثل الديك الرومي المحمر يجب قلبها مرة واحدة على الأقل.
- أعد ترتيب الطعام مثل كرات اللحم في منتصف دورة الطبخ، من الأعلى إلى الأسفل ومن وسط الصحن إلى محيطه.



### لوحة التحكم:

### الطبخ البسيط:

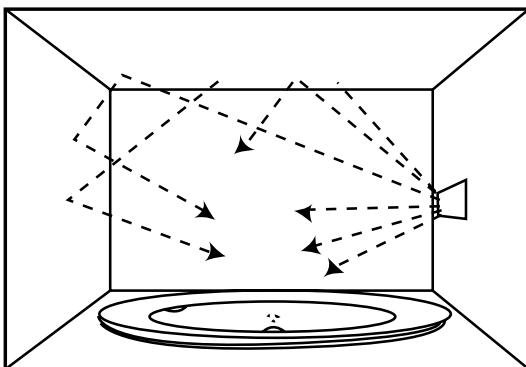
لبدء الطبخ، اضغط على زر "Start/Reset" للطبخ لمدة دقيقة واحدة مع قوة المايكرويف ١٠٠٪. مع كل كبسة على الزر، يزداد الزمن دقيقة أخرى، بحيث يكون الزمن الأقصى ٣٠ دقيقة.

بعد اكتمال الطبخ للفترة المحددة، يصدر الفرن تنبيهاً صوتياً ٥ مرات.

### طبخ المايكرويف

#### ١ طريقة الطبخ السريع:

(مثلاً: إخترقوة ١٠٠٪ / لطبخ الطعام لمدة ٥ دقائق)



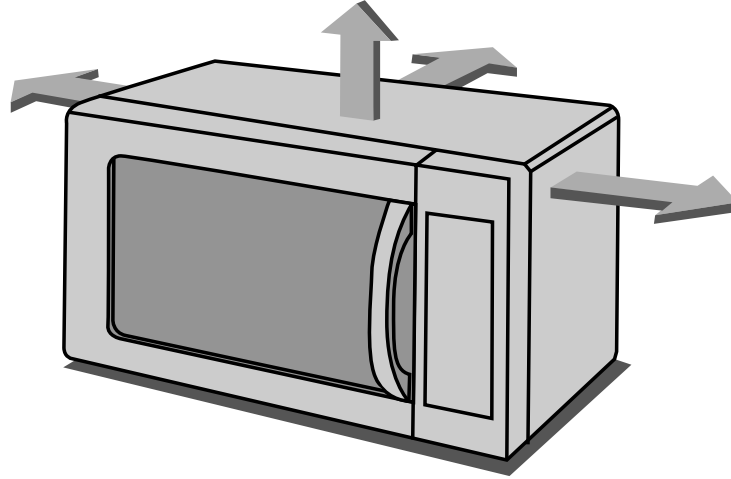
## كيفية تركيب المايكرويف

تأكد من إزالة مادة التغليف من داخل الباب.

**تحذير:** تأكد من عدم وجود أي تلف في الفرن، مثل انحناء أو عدم انتظام الباب، تلف موانع التسرب في الباب وسطح السد المحكم، إنكسار أو ارتخاء مفصلات الباب ووجود انبعاج داخل الفرن أو على الباب. يجب أن يكون الباب قابلاً للإغلاق بشكل ملائم ومأمون وسلس. يجب أن تكون موانع التسرب في الباب خالية من الطعام ولا تحمل أية علامات احتراق. في حال وجود أي تلف، يرجى عدم تشغيل الجهاز بل الإتصال بموظف الخدمة المعتمد.

### نصائح عملية:

- يجب وضع فرن المايكرويف على سطح منبسط وثابت يستطيع تحمل وزن الفرن وأثقل أطعمة يمكن طبخها داخله.
- لا تضع الفرن في أمكنة تتواجد فيها حرارة أو رطوبة عالية أو قرب مواد قابلة للاشتعال.
- للتشغيل الصحيح، يجب أن تتوفر تهوية كافية للفرن. وذلك يتطلب مسافة ٣٠ سم من الأعلى، ١٠ سم من الخلف و١٥ سم في كل من الجانبين. تجنب تغطية أو سد أية فتحات.

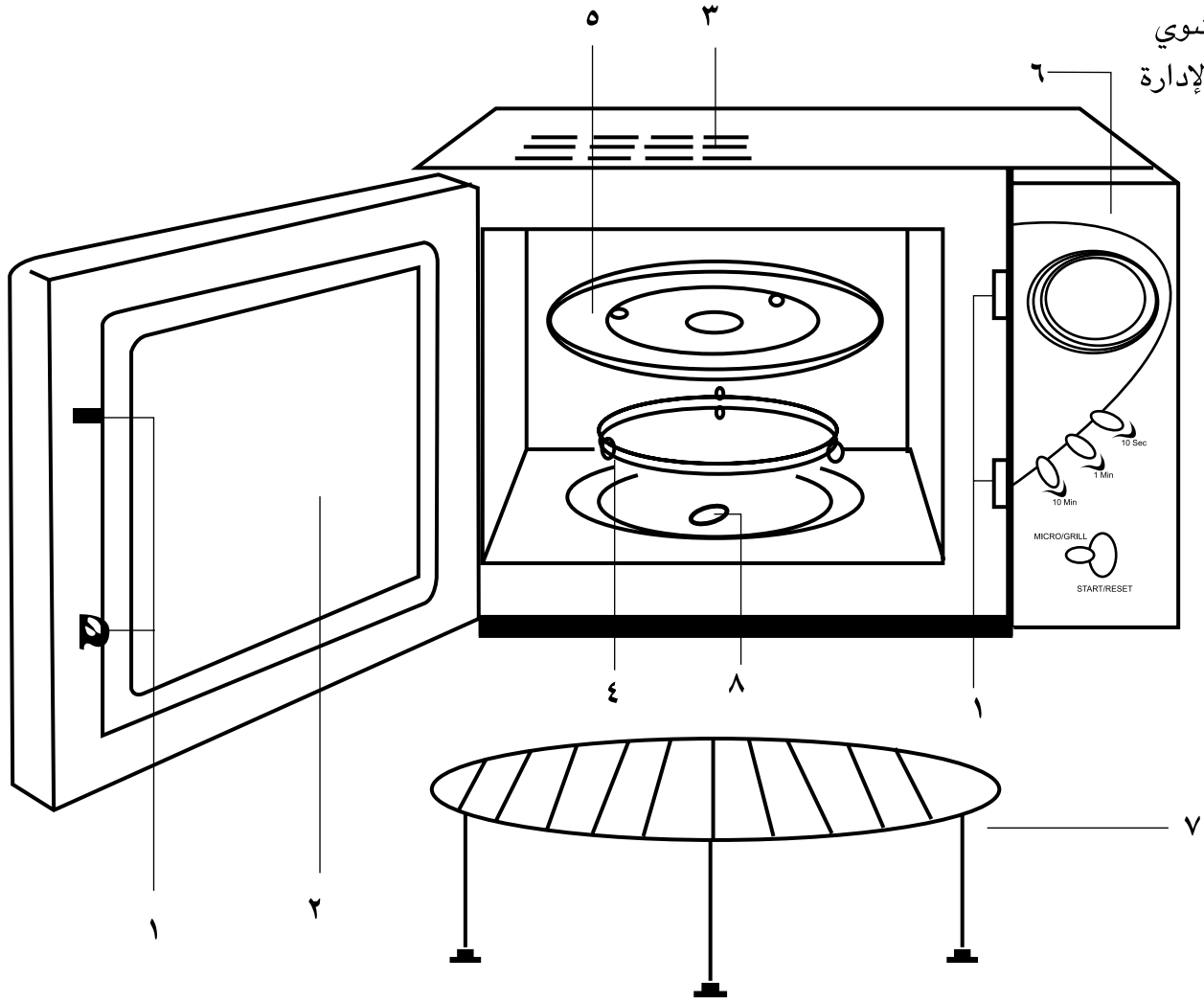


- تجنب إزالة أرجل الفرن.
- لا تضع أي شيء فوق الفرن.
- يجب عدم تشغيل الفرن إلا إذا كانت الصينية الزجاجية والحلقة الدوارة وعمود الإدارة في مواقعها الصحيحة.
- تأكد من عدم تلف سلك تزويد الطاقة وعدم مروره تحت فرن المايكرويف أو فوق أية أسطح حارة أو حادة.
- تأكد من سهولة الوصول إلى المقبس لكي يكون من السهل إزالته في حالات الطوارئ.
- لا تستعمل فرن المايكرويف خارج المنزل.
- يجب تأريض الجهاز. الفرن مزود بسلك يشتمل على سلك للتأريض ومقبس للتأريض. يجب وصله بمأخذ جداري تم تركيبه وتأريضه بشكل صحيح وذلك لتقليل خطر الإصابة بصدمة كهربائية في حال حدوث تماس كهربائي. إستعمال الفولتاج العالي خطر وقد يؤدي إلى نشوب حريق أو حوادث أخرى تؤدي إلى تلف الفرن.
- **ملاحظة:** الإستعمال غير الصحيح لمقبس التأريض قد يؤدي إلى صدمة كهربائية. يجب تشغيل فرن المايكرويف على دائرة منفصلة عن الأجهزة الأخرى. عدم القيام بذلك قد يسبب انفجار صمامة الأمان في اللوحة الكهربائية أو حدوث بقاء في طبخ الطعام.



## وصف الأجزاء

- ١ نظام قفل الأمان للباب
- ٢ نافذة الفرن
- ٣ فتحة التهوية للفرن
- ٤ الحلقة الدوارة
- ٥ الصينية الزجاجية
- ٦ لوحة التحكم
- ٧ رف الشوي
- ٨ عمود الإدارة



## مزايا فرن المايكرويف ٢٣ لتر

- سعة ٢٣ لتر - مثالي للعائلات الكبيرة.
- أزرار الدقائق السريعة تسهل ضبط الوقت والعيار.
- أزرار البرمجة لضبط برامج الطبخ بواسطة المايكرويف أو الشوي.
- أزرار التوافق تسمح لك بضبط الطبخ المتوافق.
- ميزة إزالة التجميد حسب الوزن تسمح لك بضبط إزالة التجميد حسب وزن الطعام.
- ميزة الإلغاء تلغي جميع عيارات الضبط السابقة.
- زر البدء لبرنامج الطبخ.
- رف معدني لشوي الأطعمة.
- خيارات لانتقاء المستوى المطلوب لقوة الطبخ.
- قفل سلامة الأطفال للحفاظ على سلامتهم.

## إحتياطات هامة

عند استعمال الأجهزة الكهربائية، وبهدف تقليل إمكانية حدوث حريق أو صدمة كهربائية و/أو تعرض أي شخص للإصابة، يجب الإلتزام باحتياطات السلامة الأساسية، بما فيها ما يلي:

- إقرأ جميع التعليمات بعناية، حتى لو كنت تعرف الجهاز جيداً.
- للحماية من الصدمة الكهربائية، لا تضع الجهاز أو السلك أو المقبس داخل الماء أو أية سوائل أخرى.
- لتنظيف الجهاز، إمسح السطح الخارجي بقطعة قماش مبللة.
- المراقبة الدقيقة ضرورية عند استعمال الجهاز بواسطة أو قرب الأطفال. يجب عدم ترك الجهاز بدون مراقبة أثناء استعماله.
- أطفئ الجهاز وأزل المقبس من مصدر الكهرباء عند عدم الاستعمال، وأيضاً قبل تجميع أو فك القطع أو أثناء التنظيف أو عند إجراء الصيانة على الجهاز. لا تسحب السلك عند إزالة القابس من مصدر التيار الكهربائي.
- لا تستعمل أي جهاز في حال تلف السلك أو المقبس، أو بعد حدوث عطل في الجهاز، أو عند إسقاطه أو إصابته بالتلف بأي شكل كان. أعد الجهاز بأكمله إلى أقرب مركز خدمة معتمد لفحصه وإصلاحه أو تعديله لتجنب أية مخاطر.
- إستعمال أية ملحقات أو إكسسوارات لا ينصح بها أو لا تباع بواسطة الشركة المصنعة للجهاز قد يؤدي إلى حدوث حريق أو صدمة كهربائية أو إصابة شخصية.
- لا تدع السلك يتدلى عند حافة الطاولة أو الكاونتر، أو يلامس أية أسطح حارة.
- تجنب لمس الأسطح الحارة، بل استعمل المقابض.
- لا تقم بتشغيل أو وضع أي جزء من هذا الجهاز على أو قرب أية أسطح حارة (مثل موقد غازي أو كهربائي أو في فرن ساخن).
- لا تسيء استعمال السلك. لا تحمل الجهاز من السلك أو تسحبه بشدة لفصله عن مصدر الكهرباء، بل أمسك بالمقبس واسحبه.
- عند استعمال سلك تمديد مع جهازك، تأكد من أن سلك التمديد موصول بشكل صحيح ونوعه مناسب لهذا الإستعمال.
- هذا الجهاز مخصص للاستعمال المنزلي فقط.
- لا تحاول إصلاح الجهاز بنفسك، بل خذه إلى أقرب مركز خدمة تابع لشركة بلاك أند ديكر أو معتمد منها لإصلاحه.
- تأكد من بقاء الأطفال والحيوانات بعيداً عن الجهاز والسلك.

## إحتفظ بهذه الإرشادات

## ضمان شامل لمدة سنتين لأجهزة BLACK & DECKER المنزلية

تمنح Black & Decker ضماناً شاملاً مدته سنتان لهذا المنتج اعتباراً من تاريخ الشراء. يغطي الضمان عيوب التصنيع أو المواد الداخلة في التصنيع. وفي حالة إصابة المنتج بأي عطل أثناء فترة الضمان، ستقوم شركة بإصلاحه أو (وفقاً لتقدير Black & Decker) استبداله مجاناً.

لا يغطي الضمان الأعطال الناتجة عن الحوادث، سوء الاستعمال، الإهمال، الاستعمال الخاطئ، أو عدم اتباع النظم المعمول بها محلياً. كذلك، لا تنطبق شروط الضمان إذا تمت صيانة أو تصليح المنتج لدى طرف غير معتمد من قبل شركة Black & Decker، أو في حالة استخدام قطع غيار بدون الرجوع إلى الشركة أو الحصول على موافقتها، وتسببت هذه القطع في العطل. وإذا توقف إنتاج أي طراز مع عدم وجود البديل المناسب، فإن لشركة Black & Decker حق اختيار إصلاح المنتج أو استبداله بطراز آخر بنفس القيمة الشرائية.

### عند الشراء

املاً بطاقة تسجيل الضمان مع التأكد من وجود الختم الأصلي للتاجر المعتمد (وتوضيح تاريخ الشراء) ثم ارفق إيصال الشراء بالبطاقة. الرجاء الاحتفاظ بهما لإبرازهما في حالة وجود مطالبات في المستقبل.

### عملية المطالبة

خذ المنتج المعطل مع بطاقة الضمان وإيصال الشراء بنفسك إلى مركز الصيانة المحلي أو يمكنك إرساله بالبريد المدفوعة أجرته سلفاً. وفي حالة إرسال الجهاز بالبريد أو الشحن، تأكد من تفريغ المنتج من الماء كلياً وقم بتغليفه جيداً في صندوق كرتون مقوى مع إضافة مواد تغليف لملء الفراغات لتفادي إصابته بأي ضرر. ارفق ملاحظة تصف فيها المشكلة لمركز الصيانة وتأكد من كتابة عنوانك.

صُمم للاستعمالات المنزلية فقط.

## BLACK & DECKER HOME APPLIANCE 2 YEAR WARRANTY

Black & Decker provides a 2 Year Warranty for this product from the date of purchase against defects due to defective materials or workmanship. Motor/element burn-outs due to voltage fluctuations are not covered under warranty. If the product should become defective within the warranty period, Black & Decker will repair or (at Black & Decker's discretion) replace it free of charge.

The warranty provisions do not cover failure due to accident, misuse, abuse, negligence or non observation of local regulations on the part of the user. Equally, the warranty provisions do not apply where the appliance has been serviced by a person not authorized by Black & Decker or serviced with non-approved parts and this has contributed to the fault of the product. Superseded models without a replacement equivalent will either be repaired or (at Black & Decker's discretion) replaced with another product of similar retail value.

### UPON PURCHASE

Fill in the Warranty Registration Card with the original Authorized Dealer's stamp (indicating date of purchase) and attach your purchase receipt to it. Retain in case of claims in the future.

### MAKING A CLAIM

Take your defective product together with the Warranty Registration Card & purchase receipt to your local service Centre. You can either do this in person or send it freight prepaid. If mailing or shipping your appliance, ensure that it is packed carefully in a sturdy carton with enough packing material to prevent damage. Include a note describing the problem to the service Centre and be sure to give your return address.

### DESIGNED FOR DOMESTIC PURPOSES ONLY.

## Names & Addresses for Black & Decker Service Concessionaries

**Afghanistan:** Ishan National Co., Opp. Ministry of Justice, Kabul. Tel.: +93-2-2101727. **Algeria:** SARL Outillage Corporation, 04 Route De Dely Brahim Cheraga, Alger. Tel.: +213-21-364363/508, Fax: +213-21-369667. **Bahrain:** Fawaz Al Zayani, P.O.Box 26563, Adliya, Manama. Tel.: +973-17-715252/712756, Fax: +973-17-713789. **Bangladesh:** Ultra Corporation, 8, Kushol Centre, Uttara, Dhaka 1230. Tel.: +880-2-8919272/9756 Ext.28, Fax: +880-2-9887167. **Egypt:** Anasia Egypt for Trading S. A. E., P.O.Box 2443, 110 Mostafa Refaat Street, Sheraton Heliopolis 11361, Cairo. Tel.: +20-2-2684159, Fax: +20-2-2684169. **Ethiopia:** Tewfik Sherif & Co. Ltd., P.O.Box 5583, Debre Zeit Road, Addis Ababa. Tel.: +251-1-651700/601, Fax: +251-1-650570. **India:** Gryphon Impex Pvt. Ltd., D-6/4, Okhla Industrial Area, Phase-I, New Delhi-110020. Tel.: +91-11-26372602-4, Fax: +91-11-26372601. **Iran:** Tehran - Service Centre of Iran, No 510, South Karger Ave, Below Pasteur Sq. Tehran. Tel.: +98-21-6490608/0656/6407672. **Kish Island:** Cayhan Electric Co., No. 69, Paradise Shopping Centre, Kish Island. Tel.: +98-76444-22894. **Jordan:** Bashiti Hardware, P.O.Box 1564, TLA Ali, Amman. Tel.: +962-6-5350009/4770741, Fax: +962-6-5350012/4789783. **Kenya:** Zylog Enterprises, IPS Building, Kuanda Street, P.O.Box 40877, Nairobi. Tel.: +254-2-338188/199, Fax: +254-2-330642. **Kuwait:** Al Omar Technical Co., P.O.Box 4062, 13041 Safat, Kuwait. Tel.: +965-4848595/0039, Fax: +965-4845652. **Lebanon:** Est. F.A. Kettaneh SA, P.O.Box 110242, Dora Highway, Kettaneh Building, Beirut. Tel.: +961-1-255860/6, Fax: +961-1-255891. **Libya:** El Ghoul Brothers, P.O.Box 348, Islamic Call Bldg., Office 201-202, Benghazi. Tel.: +218-61-9097681/4183, Fax: +218-61-9094123. **Madagascar:** Group Tana Confort S. A. R. L., B. P. 1770, Antananarivo. Tel.: +261-20-2264505, Fax: +261-20-2264244. **Malta:** John G. Cassar Ltd., 36 Victory Str, Qormi QRM 06, Malta. Tel.: +356-21-493251, Fax: +356-21-483231. **Mauritius:** Happy World Marketing Ltd., Block 2, Industrial Estate, Coromandel, P.O.Box 429, Port Louis. Tel.: +230-2076700, Fax: +230-2337330/7400. **Nepal:** Universal Trading Centre, P.O.Box 1947, Tripureswor, Kathmandu. Tel.: +977-1-262192/260587/785, Fax: 261154. **Nigeria:** Amin Bros. Eng. Co. Ltd., 30A (Plot 1291), Akin Adesola Street, Victoria Island, Lagos. Tel.: +234-1-3201778, Fax: +234-1-2613667. **Oman:** Oman Mktg. & Service Co., P.O.Box 2734, Ruwi, Muscat. Tel.: +968-560232, Fax: +968-560255. **Pakistan:** Karachi - Ammar Service & Spares, 60, Bank Arcade, Serai Road, Karachi. Tel.: +92-21-2426905, Fax: 2427214/5243. **Pakistan:** Lahore - Electronics Inn, 212-G Raja Centre, Main Market, Gulberg, Lahore. Tel.: +92-42-5756750. **Philippines:** Modern House International Enterprises, 213 Rizal Ave. Extension, between 2nd and 3rd Ave. Kalookan City. Tel.: +632 366-4487, Fax: +632 366-4489. **Qatar:** Al Muftah Trading & Cont., P.O.Box 875, Doha. Tel.: +974-4650880/4446868, Fax: +974-4441415. **Saudi Arabia:** Dammam - Ebrahim Fawaz Al Zayani, P.O.Box 76026, Al Raka, Dammam. Tel.: +966-3-8140914, Fax: +966-3-8140824. **Jeddah:** Anasia - P.O.Box 50959, Jeddah - 21477. Tel.: +966-2-6710014, Fax: +966-2-6725929. EAC (Al Yousuf) - P.O. Box 30377, Jeddah - 21477. Tel.: +966-2-6519912, Fax: +966-2-6511153. **Madina:** Garziz Trdg. for Bldg. Mat.&Decor., P.O.Box 3364, Madina. Tel.: +966-4-8261490/8227636, Fax: +966-4-8265741. **Riyadh:** Anasia, P.O.Box 18689, Riyadh - 11425. Tel.: +966-1-2693751, Fax: +966-1-4501178. **Yanbu:** Bin Afif, P.O.Box 530 Yanbu, Al Bahr. Tel.: +966-4-3222626/8867, Fax: +966-4-3222210. **Sri Lanka:** Delmege Gen. Equip. Pvt. Ltd., No. 428/1AT. B., Jaya Mawatha (Darley Road), Colombo-10. Tel.: +94-11-2665914, Fax: +94-11-2665915. **Sudan:** United Distribution Company, P.O.Box 325, Sayed Abdul Rehman Street, Khartoum. Tel.: +249-11-772612/777296, Fax: +249-11-770919. **Tanzania:** General Motors Investment, P. O Box 16541, 14 Vingunguti Nyerere Road, Dar Es Salaam. Tel.: +255-22-2862661/5022, Fax: +255-22-2862667/5412/3. **Tunisia:** Sfax - Techni Sud, 68, Rue d'Algerie, Sfax. Tel.: +216-4-226335. **Tunis:** Souissi Ace Home Centre, Zone Industrielle, Megrine (Saint Gobain), Z4-Tunis. Tel.: +216-1-428038, Fax: + 216-1-429540/330. **UAE:** Abu Dhabi - Light House Electric., P.O.Box 120, Abu Dhabi. Tel.: +971-2-6726131, Fax: +971-2-6720667. Dubai - Black & Decker (O) A.G., P.O.Box 5420, Dubai. Tel.: +971-4-7028234/233, Fax: +971-4-2822765. Ideal Mach. & Equipt. R. W/shop P.O.Box 37116, Al Quoz, Dubai. Tel.: +971-4-3474160, Fax: +971-4-3474157. Sharjah - McCoy Middle East LLC, P.O.Box 20228, Sharjah. Tel.: +971-6-5336321, Fax: +971-6-5336320. **Uganda:** The Building Centre, Kitgum House, 52 Station Road, P.O.Box 7436, Kampala. Tel.: +256-41-234567, Fax: +256-41-236413. **Yemen:** Aden - Middle East Trad. Co. Ltd., Mulla Dakka, Aden. Tel.: +967-2-240950, Fax: +967-2-240952. **Sana'a:** Middle East Trad. Co. Ltd., P.O.Box 12363, Hayel Street, Sana'a. Tel.: +967-1-204201, Fax: +967-1-204204. **Taiz:** Middle East Trad. Co. Ltd., Campa area near Al-Kair mosque, Taiz. Tel.: +967-4-231610/232033, Fax: +967-4-219869. **Zimbabwe:** J.D.Distributors, P.O.Box 226, 17 Bessemer Road, Graniteside, Harare. Tel.: +263-4-753913-7, Fax: 753918.



### WARRANTY REGISTRATION CARD

YOUR NAME/الإسم \_\_\_\_\_

YOUR ADDRESS/العنوان \_\_\_\_\_

POSTCODE/الرمز البريدي \_\_\_\_\_

DATE OF PURCHASE/تاريخ الشراء \_\_\_\_\_

DEALER'S NAME & ADDRESS/إسم وعنوان البائع \_\_\_\_\_

PRODUCT MODEL NO. MY23PG

## Free Manuals Download Website

<http://myh66.com>

<http://usermanuals.us>

<http://www.somanuals.com>

<http://www.4manuals.cc>

<http://www.manual-lib.com>

<http://www.404manual.com>

<http://www.luxmanual.com>

<http://aubethermostatmanual.com>

Golf course search by state

<http://golfingnear.com>

Email search by domain

<http://emailbydomain.com>

Auto manuals search

<http://auto.somanuals.com>

TV manuals search

<http://tv.somanuals.com>