

PLEASE READ AND SAVE THIS USE AND CARE BOOK.
POR FAVOR LEA ESTE INSTRUCTIVO ANTES DE USAR EL PRODUCTO.
VEUILLEZ LIRE ET CONSERVER CE GUIDE D'ENTRETIEN ET D'UTILISATION.

 **BLACK & DECKER**®

Toast-R-Oven Classic™

Countertop Oven/Broiler

Horno-asador de mostrador

Four-rôtissoire de comptoir



USA/Canada 1-800-231-9786
Mexico 01-800-714-2503
www.blackanddecker.com

Accessories/Parts (USA/Canada) 1-800-738-0245
Accesorios/Partes (EE.UU./Canadá)
Accessoires/Pièces (É.-U./Canada)

Séries, Serie TRO390 Series

IMPORTANT SAFEGUARDS

When using electrical appliances, basic safety precautions should always be followed, including the following:

- Read all instructions.
- Do not touch hot surfaces. Use handles or knobs.
- To protect against risk of electrical shock, do not immerse cord, plug, or any non-removable parts of this oven in water or other liquid.
- Close supervision is necessary when any appliance is used by or near children.
- Unplug from outlet when not in use and before cleaning. Allow to cool before putting on or taking off parts.
- Do not operate any appliance with a damaged cord or plug or after the appliance malfunctions or is dropped or damaged in any manner. Return the appliance to the nearest authorized service facility for examination, repair, or electrical or mechanical adjustment. Or, call the appropriate toll-free number listed on the cover of this manual.
- The use of accessory attachments not recommended by the appliance manufacturer may cause injuries.
- Do not use outdoors.
- Do not let cord hang over edge of table or counter, or touch hot surfaces.
- Do not place on or near a hot gas or electrical burner, or in a heated oven.
- Extreme caution must be used when moving an appliance containing hot oil or other hot liquid.
- Turn all controls to OFF before inserting or removing plug from wall outlet.
- Do not use appliance for other than intended use.
- Oversize foods or metal utensils must not be inserted in this appliance, as they may create a fire or risk of electric shock.
- A fire may occur if the toaster oven is covered or touching flammable material including curtains, draperies, walls and the like, when in operation. Do not store any item on top of unit when in operation.
- Do not clean with metal scouring pads. Pieces can break off the pad and touch electrical parts resulting in a risk of electric shock.
- Extreme caution should be used when using containers constructed of other than metal or glass.
- Do not store any material, other than manufacturer's recommended accessories, in this oven when not in use.
- Do not place any of the following materials in the oven: paper, cardboard, plastic wrap, and the like.
- Do not cover crumb tray or any parts of the oven with metal foil. This will cause overheating of the oven.
- To stop toasting, broiling or baking turn the controls to OFF.

GROUNDING PLUG

As a safety feature, this product is equipped with a grounded plug, which will only fit into a three-prong outlet. Do not attempt to defeat this safety feature. Improper connection of the grounding conductor may result in the risk of electric shock. Consult a qualified electrician if you are in doubt as to whether the outlet is properly grounded.

ELECTRICAL CORD

- a) A short power-supply cord (or detachable power-supply cord) is to be provided to reduce the risk resulting from becoming entangled in or tripping over a longer cord.
- b) Longer detachable power-supply cords or extension cords are available and may be used if care is exercised in their use.
- c) If a long detachable power-supply cord or extension cord is used,
 - 1) The marked electrical rating of the detachable power-supply cord or extension cord should be at least as great as the electrical rating of the appliance,
 - 2) If the appliance is of the grounded type, the extension cord should be a grounding-type 3-wire cord, and
 - 3) The longer cord should be arranged so that it will not drape over the countertop or tabletop where it can be pulled on by children or tripped over.

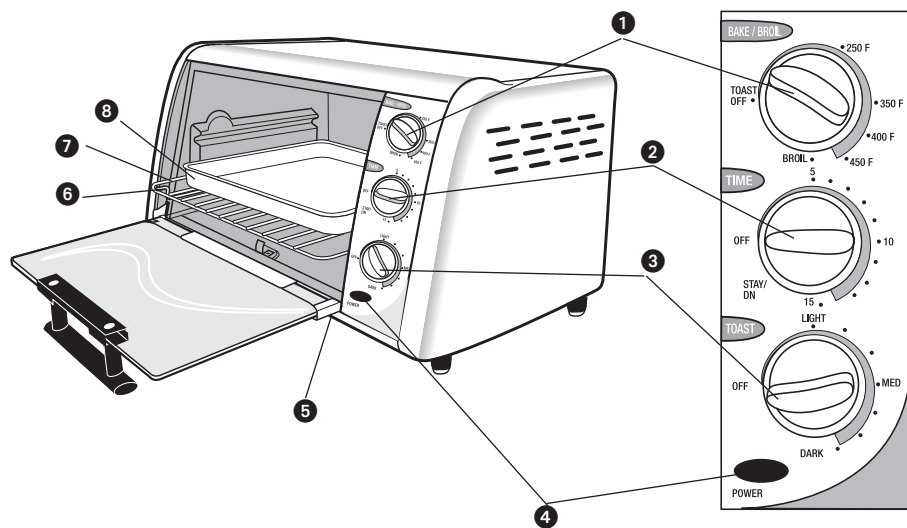
TAMPER-RESISTANT SCREW

Warning : This appliance is equipped with a tamper-resistant screw to prevent removal of the outer cover. To reduce the risk of fire or electric shock, **do not attempt to remove the outer cover.** There are no user-serviceable parts inside. Repair should be done only by authorized service personnel.

Note: If the power supply cord is damaged, it should be replaced by qualified personnel or in Latin America by an authorized service center.

SAVE THESE INSTRUCTIONS.

Product may vary slightly from what is illustrated.



- † 1. Bake/Broil Temperature Control Dial (Part #TRO390-03)
- † 2. Bake Timer (Part #TRO390-03)
- † 3. Toast shade selector (Part #TRO390-03)
 - 4. "On" Indicator Light
 - 5. Swing-down crumb tray
 - 6. Rack guides
- † 7. Slide Rack (Part #TRO390-02)
- † 8. Bake Pan (Part #TRO390-01)
- † Consumer replaceable

How to Use

This product is for household use only.

Important: For warranty verification, please do not remove line cord sticker.

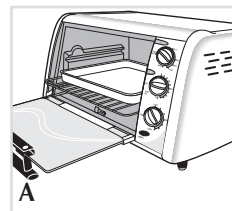
GETTING STARTED

- Remove packing materials and any stickers.
- Remove the slide rack and bake pan from oven.
- Wash in sudsy water, rinse and dry with a cloth or paper towel.
- Replace slide rack in oven.
- Select a location for the unit. Do not place unit under cabinets or too close to the wall to allow heat to flow without damaging counter space.

For Toasting:

1. Position the slide rack in the **bottom rack-slot**. It is not necessary to preheat the oven for toasting. Place the toast directly on the slide rack.
2. Set the toast shade selector as desired. For best results, select the medium setting for your first cycle, then adjust lighter or darker to suit your taste.
3. The "On" indicator light will come on and stay on during the toasting cycle. When the toasting cycle is done, the signal bell will sound, the oven will automatically shut off and the "On" indicator light will go out.
4. To stop toasting at any time, open the oven door. The heating elements will turn off when the door is opened; the toast shade selector will continue to operate. If you want to discontinue toasting, turn the toast shade selector to the "Off" position.

For Baking:

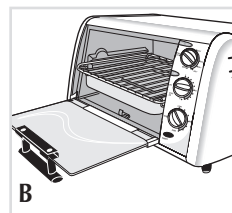


1. Consult the Baking/Broiling chart for the type of food you want to cook. Place bake pan on top of the slide rack and position the slide rack in the oven (A).
2. Turn the Bake/Broil temperature control dial to the desired temperature setting.
3. If using the bake timer, turn the dial to the desired number of minutes from 1-15.

Note: For best results, when baking or cooking, always preheat the oven for 5 minutes. If not using the timer you must turn the timer dial (counterclockwise) to the STAY ON mode.

4. The heating elements will cycle on and off to maintain temperature. Operation is interrupted when the door is opened. To continue operating, close the door. Check food to see if it is done at minimum time.
5. When finished baking, turn the Bake/Broil temperature control dial to the "Off" position.
6. If using the bake timer, the signal bell will sound after the designated amount of time.

For Broiling:



1. Turn the temperature control dial to broil. The oven does not need to be preheated for broiling.
2. Position the slide rack in the top rack slot. Insert the bake pan under the slide rack using rack guides (B). Note: Be sure the top edge of the food or container is at least 1" (2.54 cm) away from the upper heating elements.
3. Use the chart as a guide to cooking times. Check food to see if it is done at minimum cooking time.

4. When finished broiling, using oven mitt or pot holder, remove slide rack with bake pan, and turn the temperature control dial to "OFF."

Care and Cleaning

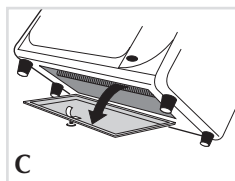
This product contains no user serviceable parts. Refer service to qualified service personnel.

Cleaning Your Oven

IMPORTANT: Before cleaning any part, be sure the oven is off, unplugged, and cool. Always dry parts thoroughly before using oven after cleaning.

1. Clean the glass door with a nylon pad and sudsy water. Do not use a spray glass cleaner.
2. To remove the slide rack, open the door, pull the rack forward and out. Wash the slide rack in sudsy water or in a dishwasher. To remove stubborn spots, use a polyester or nylon pad. To replace the slide rack and bake pan, open the door completely and slide the rack into the rack support grooves. Be sure the slide rack is seated properly.
3. Wash the bake pan in sudsy water. To minimize scratching, use a polyester or nylon pad.

Crumb Tray



To open crumb tray, tip back oven and pull down the tray (C). Dispose of crumbs, wipe the tray with a dampened cloth and dry thoroughly. To close, push in the tray until it locks into place.

Exterior Surfaces

Be sure the oven has cooled completely before wiping the top and exterior walls with a damp cloth or sponge. Dry thoroughly.

Cooking Containers

1. The inside dimensions of this oven are 12" x 11" x 5.5" (30.5cm x 28cm x 14cm). Keep the inside dimensions of the oven in mind when purchasing baking containers.
2. Metal, ovenproof glass, or ceramic bakeware without glass lids may be used in your oven. Follow manufacturer's instructions. Be sure the top edge of the container is at least 1" (2.54 cm) away from the upper heating elements.
3. Some frozen foods are packaged in containers suitable for microwave or regular ovens; some are not. Check package instructions. If there are any questions regarding the use of a specific container, contact the food manufacturer.
4. **Some items which should never be used in your Toaster Oven:**
 - Glass lids on glass or metal bakeware. (If a cover is needed, use aluminum foil and be careful that it does not touch the heating elements.)
 - Air-tight packages such as sealed pouches or cans.
 - Plastic wrapping or paperboard covers.
 - Containers larger than those recommended.
 - Containers with warnings against use in range-type or toaster ovens.

BROILING GUIDE

NOTE: When **BROILING** foods, slide the bake pan underneath the slide rack using the rack guides. Turn Bake/Broil temperature dial to **BROIL**. Do not preheat. Broiling times are approximate. For best results do not undercook ground beef, fish or poultry.

FOOD	AMOUNT	TIME	PROCEDURE
Chicken pieces	1-6 pieces	30-40 minutes	Arrange pieces skin-side down; turn after 15-25 minutes. Continue broiling until 170°F (77°C) on meat thermometer, or juices run clear.
Frankfurters	1-8 frankfurters	8-15 minutes	For uniform browning, turn frequently.
Hamburgers	1-6 (1/4 lb. (0,11 kg) each)	12-18 minutes	Turn after 6 minutes; continue broiling until 145°F (63°C) on meat thermometer, or done as desired
Beef steaks	1-2 (3/4" (19mm) thick)	18-25 minutes	Turn after 10 minutes; continue broiling until 145°F (63°C) on meat thermometer, or done as desired
Pork chops	1-6 (3/4" (19mm) thick)	20-30 minutes	Turn after 12 minutes; continue broiling until 160°F (71°C) on meat thermometer.
Fish steaks	1-6 (1" (26mm) thick)	10-18 minutes	Broil until fish flakes easily with a fork.
Open-faced cheese sandwich	1-4 slices	7-10 minutes	For crispier sandwich, toast bread first. Top bread with tomato and sliced cheese, if desired. Broil until tomato is hot and cheese is melted.

BAKING GUIDE

NOTE: When BAKING foods, use lowest rack position and place bake pan on top of slide rack. Preheat oven for 5 minutes before placing food in oven. Use recommended times as a guide.

FOOD	AMOUNT	TEMPERATURE/TIME	PROCEDURE
Chicken pieces	to fit bake pan (1- 4 pieces)	375°F (191°C) 45-55 minutes	Arrange in bake pan and place on top of slide rack. Bake until chicken registers 180°F (82°C) on meat thermometer.
Ham, lamb or pork chops, Fish fillet or steak	to fit bake pan (1-4 chops or steaks)	325°F (163°C) or follow favorite recipe	Arrange in bake pan and place on top of slide rack. Bake until done as desired.
Cookies (recipe or refrigerated slice & bake, drop or pre-cut)	4-6 cookies	Follow package or recipe directions	Arrange in bake pan and place on top of slide rack. Bake until done and browned as desired.
Biscuits, dinner rolls (recipe or refrigerated)	to fit bake pan	Follow package or recipe directions	Arrange in bake pan and place on top of slide rack. Bake until done and browned as desired.
White or sweet potatoes	1-6 medium potatoes	400°F (204°C) 1- 1-1/4 hours	Wash and pierce potatoes. Place directly on slide rack.
Frozen French fries, onion rings, other frozen (breaded and fried) foods	single layer to fit bake pan	Follow package directions	Arrange in bake pan and place on top of slide rack. Turn once during baking. Check frequently to prevent over browning.
Individual frozen pizza		Follow package directions	Place pizza directly on slide rack. Check frequently to prevent over browning.

INSTRUCCIONES IMPORTANTES DE SEGURIDAD

Cuando se utilizan aparatos eléctricos, se debe respetar ciertas reglas de seguridad, incluyendo las siguientes:

- Por favor lea todas las instrucciones.
- No toque las superficies calientes. Utilice las asas o las perillas.
- A fin de protegerse contra un choque eléctrico, no sumerja el cable, el enchufe ni ninguna pieza no removible del aparato.
- Se debe tomar mucha precaución cuando el producto se utilice por o en la presencia de menores de edad.
- Desconecte el aparato de la toma de corriente cuando no esté en uso y antes de limpiarlo. Espere que el aparato se enfríe antes de instalar o retirar los accesorios.
- No se debe utilizar ningún aparato eléctrico que tenga el cable o el enchufe averiado, que presente un problema de funcionamiento o que esté dañado. Devuelva el aparato al centro de servicio autorizado más cercano para que lo examinen, reparen o ajusten. También puede llamar gratis al número apropiado que aparece en la cubierta de este manual.
- El uso de accesorios no recomendados por el fabricante presenta el riesgo de lesiones personales.
- No utilice el aparato a la intemperie.
- No permita que el cable cuelgue del borde de la mesa o del mostrador ni que entre en contacto con superficies calientes.
- No coloque el tostador sobre ni cerca de una hornilla de gas o eléctrica, ni cerca de un horno caliente.
- Se debe ejercer mucha prudencia al transportar un aparato con aceite u otros líquidos calientes.
- Ajuste todos los controles a la posición de apagado (OFF) antes de enchufar o desconectar el aparato.
- Este aparato se debe utilizar solamente con el fin previsto.
- A fin de evitar el riesgo de incendio o choque eléctrico, jamás introduzca alimentos demasiado grandes ni utensilios de metal adentro del aparato.
- Existe el riesgo de incendio si el aparato permanece cubierto mientras se encuentra en funcionamiento o si éste llegase a entrar en contacto con cualquier material inflamable, incluyendo las cortinas y las paredes. Asegúrese de no colocar nada sobre el aparato mientras se encuentre en uso.
- No utilice almohadillas de fibras metálicas para limpiar el aparato. Las fibras metálicas podrían entrar en contacto con las piezas eléctricas del aparato, resultando en el riesgo de un choque eléctrico.
- Tenga mucho cuidado al utilizar recipientes que no sean de metal ni de vidrio.
- Cuando este aparato no se encuentre en funcionamiento no se debe almacenar nada aparte de los accesorios recomendados por el fabricante.
- No introduzca los siguientes materiales en el aparato: papel, cartón, envolturas plásticas ni materiales semejantes.

- ❑ A fin de evitar que el aparato se sobrecaliente, no cubra la bandeja para los residuos como ninguna otra superficie del aparato con papel de aluminio.
- ❑ Para interrumpir el tostado, asado u horneado de los alimentos, gire el control a la posición de apagado (OFF).

CONSERVE ESTAS INSTRUCCIONES.

ENCHUFE DE TIERRA

Como medida de seguridad, este producto cuenta con un enchufe de tierra que tiene tres contactos. No trate de alterar esta medida de seguridad. La conexión inapropiada del conductor de tierra puede resultar en un riesgo de choque eléctrico. Si tiene alguna duda, consulte con un electricista calificado para asegurarse de que la toma de corriente sea una de tierra.

CABLE ELÉCTRICO

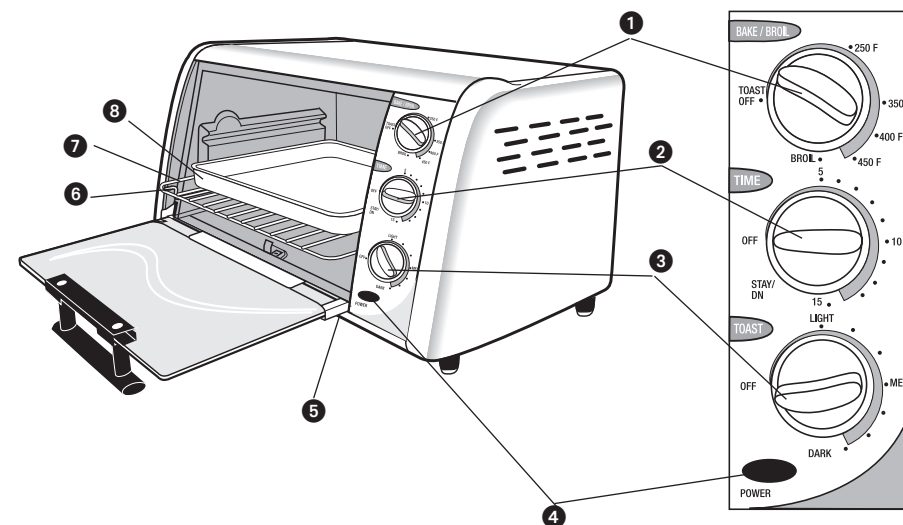
- a) El producto debe proporcionarse con un cable corto (o uno desmontable) para reducir el riesgo de enredarse o de tropezar con un cable largo.
- b) Se encuentran disponibles cables desmontables o de extensión más largos, que es posible utilizar si se emplea el cuidado debido.
- c) Si se utiliza un cable desmontable o de extensión,
 - 1) El voltaje eléctrico del cable desmontable o del cable de extensión debe ser, como mínimo, igual al del voltaje del aparato,
 - 2) Si el aparato es del tipo que va conectado a tierra, el cable de extensión deberá ser un cable de tres alambres conectado a tierra.
 - 3) El cable más largo debe acomodarse de modo que no cuelgue del mostrador o de la mesa, para evitar que un niño tire del mismo o que alguien se tropiece.

TORNILLO DE SEGURIDAD

Advertencia: Este aparato cuenta con un tornillo de seguridad para evitar la remoción de la cubierta exterior del mismo. A fin de reducir el riesgo de incendio o de choque eléctrico, **por favor no trate de remover la cubierta exterior.** Este producto no contiene piezas reparables por el consumidor. Toda reparación se debe llevar a cabo únicamente por personal de servicio autorizado.

Nota: Si el cordón de alimentación es dañado, en América Latina debe sustituirse por personal calificado o por el centro de servicio autorizado.

Este producto puede variar ligeramente del que aparece ilustrado.



- + 1. Control de temperatura para hornear- asar (Pieza No.TRO390-03)
- + 2. Cronómetro para cocinar (Pieza No.TRO390-03)
- + 3. Selector de grado de tostado (Pieza No.TRO390-03)
- 4. Luz indicadora de funcionamiento
- 5. Bandeja de residuos oscilante
- 6. Guías de la parrilla
- + 7. Parrilla corrediza (Pieza No.TRO390-02)
- + 8. Bandeja de horneado (Pieza No.TRO390-01)
- + Reemplazable por el consumidor

Como usar

Este producto es para uso doméstico solamente.

Importante: Para verificación de la garantía, por favor no retire la etiqueta del cable eléctrico.

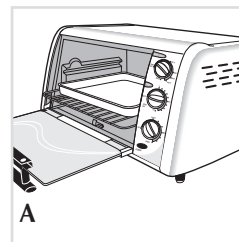
PREPARARSE PARA UTILIZAR

- Retire el material de empaque y toda calcomanía.
- Retire también la parrilla corrediza y la bandeja de hornear del horno.
- Lave con agua jabonada, enjuague y seque bien con un paño o con una toalla de papel.
- Instale la parrilla corrediza en el horno.
- Escoja el lugar apropiado para el aparato. No coloque el aparato debajo de los gabinetes ni demasiado cerca de la pared, a fin de asegurar que el flujo de calor no perjudique el mostrador.

Para tostar:

1. Deslice la parrilla corrediza en el carril del horno con **inferior del horno**. No es necesario precalentar el horno para tostar. Coloque las rebanadas en la parrilla corrediza.
2. Ajuste el grado de tostado al gusto. Para lograr mejores resultados, se recomienda ajustar el control al nivel intermedio. Después se puede seleccionar entre un color pálido u oscuro al gusto.
3. Brillará una luz que permanecerá encendida durante el ciclo de tostado. Una vez concluido el ciclo de tostado, se escucha la campana de aviso y el horno al igual que la luz indicadora de encendido (ON) se apagan automáticamente.
4. Para interrumpir el ciclo de tostado simplemente abra la puerta del aparato. Los elementos calefactores se apagan cuando uno abre la puerta; el selector del grado de tostado continúa funcionando. Si desea cancelar el ciclo de tostado, ajuste el selector del grado de tostado a la posición de apagado (OFF).

Para hornear:

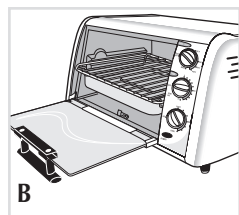


1. Consulte la guía de cocinar provista para los alimentos que desea preparar. Coloque la bandeja de hornear encima de la parrilla corrediza e introduzca la parrilla corrediza en el horno (A).
2. Gire el control de hornear-asar a la temperatura deseada.
3. Si utiliza el cronómetro para hornear, ajuste el control al tiempo deseado de 1 a 15 minutos.

Nota: A fin de lograr mejores resultados, se recomienda precalentar el horno por 5 minutos antes de cocinar. Si no utiliza el minuterero, gire la perilla del mismo hacia la izquierda a la posición de modo de

funcionamiento continuo (STAY ON).

4. Los elementos calefactores funcionan de manera intermitente a fin de mantener la temperatura adecuada. El ciclo de cocción se interrumpe cuando uno abre la puerta del aparato. Para reiniciar el ciclo de cocción, cierre la puerta. Supervise los alimentos cuando se cumpla el tiempo mínimo de cocción recomendado en la guía.
5. Cuando termine de hornear, asegúrese de girar el control de temperatura a la posición de apagado.
6. Si uno utiliza el minuterero de hornear, la campana de aviso suena al concluir el tiempo que uno ha programado.



Para asar:

1. Gire el control de temperatura a la posición de asar (BROIL). Para asar, no es necesario precalentar el aparato.
2. Deslice la parrilla corrediza en el carril superior del horno. Introduzca la bandeja de asar debajo de la parrilla corrediza con la ayuda de las guías de la parrilla (B).

Nota: Asegúrese de permitir una holgura mínima de 2,54 cm (1 pulg) entre el borde superior del recipiente de cocinar y los elementos calefactores superiores.

3. Cocine los alimentos según el tiempo señalado en la guía. Supervise los alimentos cuando se cumpla el tiempo mínimo de cocción recomendado en la guía.
4. Cuando termine de cocinar, ajuste el control de temperatura a la posición de apagado (OFF) y asegúrese de utilizar guantes de cocina para retirar la bandeja de hornear.

Cuidado y limpieza

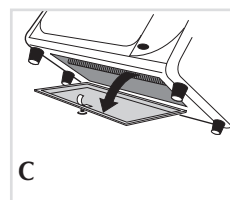
El aparato no contiene piezas de utilidad para el consumidor. Para servicio, acuda a personal de asistencia calificado.

Limpieza del horno

IMPORTANTE: Apague, desconecte y permita que el aparato se enfríe completamente antes de limpiarlo. Siempre seque bien todas las piezas antes de utilizar el aparato nuevamente.

1. Limpie la puerta de vidrio con una almohadilla de nailon y agua enjabonada. No utilice rociadores de limpiar vidrios.
2. Para retirar la parrilla corrediza, abra la puerta y tire de la parrilla hacia adelante y hacia afuera. Lave la parrilla corrediza con agua enjabonada o en la máquina lavaplatos. Para remover las manchas persistentes, utilice una almohadilla de poliéster o de nailon. Para instalar la parrilla corrediza y la bandeja de hornear, abra la puerta completamente y deslice la parrilla en las ranuras de soporte. Asegúrese que la parrilla esté bien colocada.
3. Lave la bandeja de hornear jabonada. Utilice una almohadilla de poliéster o de nailon a fin de evitar los rayones.

Bandeja de residuos



Para abrir la bandeja de los residuos, incline el aparato hacia atrás y tire de la bandeja (C). Deseche las migajas, limpie la bandeja con un paño humedecido y asegúrese de secarla bien. Para cerrar, empuje la bandeja para adentro hasta quedar segura en su lugar.

Superficies exteriores

Asegúrese que el aparato se haya enfriado por completo antes de limpiar el exterior con un paño o con una esponja humedecida. Seque bien antes de utilizar el aparato de nuevo.

Recipientes de cocinar

1. El interior del horno mide 30,5 cm x 28 cm x 14 cm (12 pulg x 11 pulg x 5,5 pulg). Tenga presentes las dimensiones del interior del aparato antes de comprar los recipientes.
2. Este aparato le permite utilizar recipientes de metal, de vidrio resistente al calor o de cerámica, sin tapas de vidrio. Siga las indicaciones del fabricante. Asegúrese de que haya un espacio mínimo de 2,54 cm (1 pulg) entre el borde superior del recipiente y los elementos calefactores.
3. Ciertos, pero no todos los alimentos congelados vienen empacados en envolturas apropiadas para los hornos de microonda o los hornos convencionales. Verifique las indicaciones del paquete. En caso de preguntas, comuníquese con el fabricante de los alimentos.
4. **He aquí una lista de artículos que jamás se deben introducir en el aparato:**
 - Las cubiertas de vidrio sobre los recipientes de vidrio o de metal. (Si es necesario, se puede utilizar papel de aluminio con cuidado de no tocar los elementos de calefacción.)
 - Las envolturas selladas al vacío (como las bolsas o las latas).
 - Las envolturas de papel plástico o las cubiertas de cartón.
 - Los recipientes de dimensión superior a la recomendada.
 - Los recipientes con advertencia contra uso en hornos convencionales.

GUIA DE ASAR

NOTA: Para asar los alimentos, deslice la bandeja de hornear debajo de la parrilla corrediza con la ayuda de las guías de la parrilla. Ajuste el control de temperatura a la posición para asar (BROIL). No precaliente el aparato. El tiempo de cocción recomendado en la guía es aproximado. Para mejores resultados, asegúrese de cocinar bien la carne molida, el pescado y las aves.

ALIMENTO	CANTIDAD	DURACIÓN	PROCEDIMIENTO
Porciones de Pollo	1-6 piezas	30-40 minutos	Acomodar las piezas de pollo con la piel hacia abajo; voltear al cabo de 15 a 25 minutos, asando hasta que el termómetro para carne indique 77 °C (170 °F) o hasta que los jugos corran sin color.
Salchichas	1-8 salchichas	8-15 minutos	Voltear con frecuencia para un dorado uniforme.
Hamburguesas	1 a 6 de 0, 11 kg (1/4 lb)	12-18 minutos	Voltear al cabo de 6 minutos; cocinar hasta que el termómetro de carne indique 63°C (145 °F) o cocine al gusto.
Bistec	1 a 2 con grosor de 19 mm (3/4")	18-25 minutos	Voltear al cabo de 10 minutos; cocinar hasta que el termómetro de carne indique 63°C (145 °F) o cocine al gusto.
Chuletas de cerdo	1 a 6 con grosor de 19 mm (3/4")	20-30 minutos	Voltear al cabo de 12 minutos; cocinar hasta que el termómetro de carne indique 71°C (160°F)
Filetes de pescado	1 a 6 con grosor 26 mm (1")	10 -18 minutos	Cocinar hasta poder separar fácilmente con un tenedor.
Sándwich de queso, sin tapa	1 a 4 rebanadas	7-10 minutos	Para un sándwich más crujiente, se debe tostar primero el pan. Coronar el pan con rebanadas de tomate y queso, al gusto. Cocinar hasta que el tomate se caliente y el queso se haya derretido.

GUIA DE HORNEAR

Nota: Para HORNEAR, la parrilla corrediza se debe colocar en el carril inferior con la bandeja de hornear encima de la parrilla corrediza. Antes de cocinar, el horno se debe precalentar por 5 minutos. Se recomienda observar el tiempo de cocción que sugiere la guía.

ALIMENTO	CANTIDAD	TEMPERATURA/ DURACIÓN	PROCEDIMIENTO
Porciones de pollo	Según la capacidad de la bandeja de hornear (de 1 a 4 piezas)	191 °C (375 °F) de 45 a 55 minutos	Acomodar en la bandeja de hornear y colocar encima de la parrilla corrediza. Hornear hasta que el termómetro de cocinar indique 82°C (180 °F).
Jamón, cordero o chuletas de cerdo, filetes de pescado o bistec	Según la capacidad de la bandeja de hornear (de 1 a 4 chuletas o filetes)	Cocinar a 163 °C (325 °F) o preparar al gusto.	Acomodar en la bandeja de hornear y colocar encima de la parrilla corrediza. Hornear al gusto.
Galletas (de receta o de masa refrigerada para cortar y hornear, de cucharada o precortadas)	De 4 a 6 galletas	Según las direcciones del paquete o la receta	Acomodar en la bandeja de hornear y colocar encima de la parrilla corrediza. Hornear hasta quedar bien cocidas y dorar al gusto.
Bisochos, panes pequeños (de receta o de masa refrigerada)	Según la capacidad de la bandeja de hornear	Según las direcciones del paquete o la receta	Acomodar en la bandeja directamente sobre la parrilla corrediza. Hornear hasta quedar bien cocidos y dorar al gusto.

ALIMENTO	CANTIDAD	TEMPERATURA/ DURACIÓN	PROCEDIMIENTO
Papas o camotes	De 1 a 6 medianos	Cocinar a 204 °C (400 °F) de 1 a 1-1/4 hora.	Acomodar en la bandeja directamente sobre la parrilla corrediza. Lavar y pinchar las papas. Colocar las papas directamente sobre la parrilla corrediza, rieles orientado hacia arriba.
Papas fritas congeladas, aros de cebolla y otros alimentos congelados (rebozados y fritos)	Una capa, según la capacidad de la bandeja de hornear	Según las direcciones del paquete o la receta	Acomodar en la bandeja directamente sobre la parrilla corrediza, carril orientado hacia arriba. Voltar una vez durante el ciclo de cocción. Supervisar frecuentemente para no dorar en exceso.
Pizzas individuales congeladas		Según las direcciones del paquete	Colocar la pizza directamente sobre la parrilla corrediza. Supervisar frecuentemente para no dorar en exceso.

IMPORTANTES MISES EN GARDE

Lorsqu'on utilise un appareil électrique, il faut toujours respecter certaines règles de sécurité fondamentales, notamment les suivantes.

- Lire toutes les directives.
- Ne pas toucher aux surfaces chaudes. Utiliser les poignées et les boutons.
- Afin d'éviter les risques de secousses électriques, ne pas immerger le cordon, la fiche ni toute autre pièce non amovible de l'appareil.
- Exercer une étroite surveillance lorsqu'on utilise l'appareil près d'un enfant ou lorsque ce dernier s'en sert.
- Débrancher l'appareil lorsqu'on ne s'en sert pas et avant de le nettoyer. Le laisser refroidir avant d'y ajouter ou d'en retirer un accessoire.
- Ne pas utiliser un appareil dont la fiche ou le cordon est abîmé, qui présente un problème de fonctionnement, qui est tombé par terre ou qui est endommagé. Retourner le produit au centre de service de la région pour qu'il y soit examiné, réparé ou réglé électriquement ou mécaniquement. Ou composer le numéro sans frais approprié indiqué sur la page couverture du présent guide.
- L'utilisation d'accessoires non recommandés par le fabricant présente des risques de blessures.
- Ne pas utiliser l'appareil à l'extérieur.
- Ne pas laisser pendre le cordon d'une table ou d'un comptoir, ni le laisser entrer en contact avec une surface chaude.
- Ne pas placer près ou sur une cuisinière au gaz ou à l'électricité chaude, ni dans un four réchauffé.
- Déplacer avec une extrême prudence un appareil renfermant de l'huile chaude ou tout autre liquide chaud.
- Mettre toutes les commandes à la position (OFF) avant de brancher ou de débrancher l'appareil.
- Utiliser l'appareil seulement aux fins qu'il est prévu.
- Ne pas introduire dans l'appareil des aliments grandes dimensions ni des ustensiles en métal qui pourraient provoquer des risques d'incendies ou de secousses électriques.
- Il y a risque d'incendie lorsque le grille-pain est recouvert de matériaux inflammables comme des rideaux, des draperies ou des revêtements muraux, ou lorsqu'il entre en contact avec ceux-ci alors qu'il fonctionne. Ne rien ranger sur l'appareil en service.
- Ne pas nettoyer l'appareil avec des tampons métalliques abrasifs. Ces derniers peuvent s'effriter et entrer en contact avec les composants électriques de l'appareil, ce qui présente un risque de secousses électriques.
- Bien surveiller lorsqu'on utilise des plats qui ne sont pas en métal ni en verre.
- Ne rien ranger d'autre que les accessoires recommandés par le fabricant dans ce dernier lorsqu'il ne sert pas.
- Ne pas placer l'un des matériaux suivants dans le four : du papier, du carton, de la pellicule plastique et d'autres matériaux du genre.
- Éviter de recouvrir le plateau à miettes ou toute autre pièce de l'appareil de papier métallique car cela présente des risques de surchauffe.

- ❑ Pour arrêter le grillage, le rôtissage ou la cuisson, régler les commandes à la position d'arrêt (OFF).

CONSERVER CES INSTRUCTIONS.

FICHE MISE À LA TERRE

Par mesure de sécurité, le produit comporte une fiche mise à la terre qui n'entre que dans une prise à trois trous. Il ne faut pas neutraliser ce dispositif de sécurité. La mauvaise connexion du conducteur de terre présente des risques de secousses électriques. Communiquer avec un électricien certifié lorsqu'on se demande si la prise est bien mise à la terre.

CORDON ÉLECTRIQUE

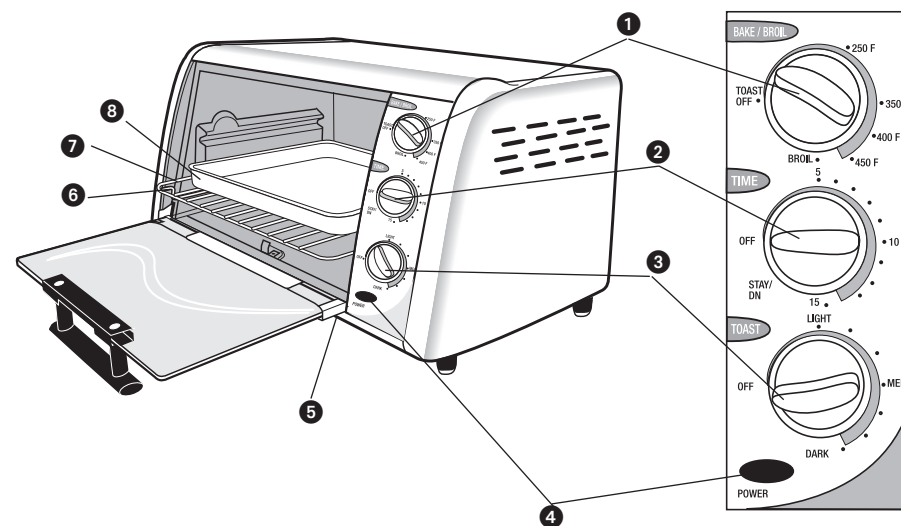
- Le cordon d'alimentation de l'appareil est court (ou amovible) afin de minimiser les risques d'enchevêtrement ou de trébuchement.
- Il existe des cordons d'alimentation amovible ou de rallonge plus longs et il faut s'en servir avec prudence.
- Lorsqu'on utilise un cordon d'alimentation amovible de rallonge plus long, il faut s'assurer que :
 - la tension nominale du cordon d'alimentation amovible ou de rallonge soit au moins égale à celle de l'appareil, et que;
 - lorsque l'appareil est de type mis à la terre, il faut utiliser un cordon de rallonge mis à la terre à trois broches; and
 - le cordon plus long soit placé de sorte qu'il ne soit pas étalé sur le comptoir ou la table d'où des enfants pourraient le tirer, ni placé de manière à provoquer un trébuchement.

VIS INDESSERRABLE

Avertissement : L'appareil est doté d'une vis indesserrable empêchant l'enlèvement du couvercle extérieur. Pour réduire les risques d'incendie ou de secousses électriques, **ne pas tenter de retirer le couvercle extérieur.** L'utilisateur ne peut pas remplacer les pièces de l'appareil. En confier la réparation seulement au personnel des centres de service autorisés.

Note : Lorsque le cordon d'alimentation est endommagé, il faut le faire remplacer par du personnel qualifié ou, en Amérique latine, par le personnel d'un centre de service autorisé.

Le produit peut différer légèrement de celui illustré.



- + 1. Sélecteur de température pour la cuisson ou le rôtissage (pièce n° TRO390-03)
- + 2. Minuterie pour la cuisson (pièce n° TRO390-03)
- + 3. Sélecteur du degré de grillage (pièce n° TRO390-03)
- 4. Témoïn de fonctionnement
- 5. Plateau à miettes rabattable
- 6. Guides
- + 7. Grille coulissante (pièce n° TRO390-02)
- + 8. Plat de cuisson (pièce n° TRO390-01)
- + Remplaçable par le consommateur

Utilisation

L'appareil est conçu pour une utilisation domestique seulement.

Important : Afin de pouvoir en vérifier la garantie, ne pas retirer l'étiquette du cordon d'alimentation.

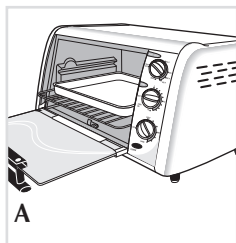
PRÉPARATIFS

- Retirer tous les matériaux d'emballage et toute étiquette.
- Sortir la grille et le plat du four.
- Les laver dans de l'eau savonneuse, les rincer et les assécher à l'aide d'un chiffon ou d'un essuie-tout.
- Remettre la grille en place dans le four.
- Choisir un emplacement pour l'appareil. Celui-ci ne doit pas se trouver sous des armoires ni trop près d'un mur afin de laisser la chaleur circuler sans endommager l'espace de comptoir.

Grillage

1. Placer la grille coulissante dans la **fente inférieure**. Il n'est pas nécessaire de réchauffer l'appareil pour le grillage. Déposer la tranche de pain directement sur la grille coulissante.
2. Régler le sélecteur de grillage au degré voulu. Afin d'optimiser les résultats, choisir le réglage moyen pour le premier cycle, puis le régler au goût.
3. Le témoin de fonctionnement s'allume et il reste allumé pendant le cycle de grillage. À la fin du cycle de grillage, un timbre se fait entendre, le four s'éteint automatiquement et le témoin s'éteint.
4. Pour interrompre le cycle de grillage en tout temps, il suffit d'ouvrir la porte du four. Les éléments s'éteignent lorsqu'on ouvre la porte, mais le sélecteur de grillage reste en service. Pour arrêter le cycle de grillage, déplacer le sélecteur du degré de grillage à la position d'arrêt (OFF).

Cuisson



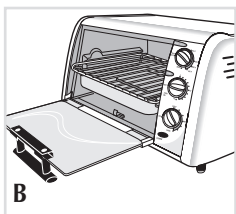
1. Consulter le guide pour l'aliment à cuire. Placer le plat de cuisson sur la grille et placer la grille dans le four (A).
2. Régler le sélecteur de cuisson à la température voulue.
3. Lorsqu'on utilise la minuterie, placer le cadran au nombre de minutes de 1 à 15 voulu.

Note : Afin d'optimiser les résultats de cuisson, toujours réchauffer le four pendant 5 minutes. Lorsqu'on ne se sert pas de la minuterie, il faut tourner le cadran (dans le sens horaire) jusqu'au mode de fonctionnement continu (STAY ON).

4. Les éléments fonctionnent de façon intermittente afin de maintenir la température choisie. On interrompt le cycle de cuisson lorsqu'on ouvre la porte de l'appareil. Pour reprendre la cuisson, refermer la porte. Surveiller la cuisson après la durée minimale suggérée.
5. À la fin de la cuisson, régler le sélecteur de la température de cuisson à la position d'arrêt.
6. Lorsqu'on utilise la minuterie, un timbre se fait entendre à la fin de la durée choisie.

Rôtissage

1. Régler le sélecteur de température au cycle de rôtissage (BROIL). Il n'est pas nécessaire de réchauffer l'appareil pour le grillage.
2. Placer la grille dans la fente supérieure. Insérer le plat de cuisson sous la grille en se servant des guides (B).



Note : S'assurer que le dessus de l'aliment ou du récipient se trouve à au moins 2,54 cm (1 po) des éléments chauffants supérieurs.

3. Consulter le guide plus bas pour déterminer la durée de cuisson. Surveiller la cuisson après la durée minimale suggérée.

4. À la fin de la cuisson, utiliser des mitaines et retirer la grille coulissante avec le plat de cuisson, puis régler le sélecteur de température à la position d'arrêt (OFF).

Entretien et nettoyage

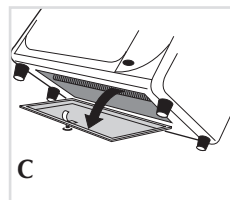
L'utilisateur ne peut entretenir aucune composante du produit. En confier l'entretien à du personnel qualifié.

Nettoyage du four

IMPORTANT : Avant de procéder au nettoyage, s'assurer que le four est éteint, débranché et froid. Toujours bien essuyer les pièces avant d'utiliser l'appareil après nettoyage.

1. Nettoyer la porte en verre avec un tampon en nylon et de l'eau savonneuse. Ne pas utiliser de nettoyeur à vitres en vaporisateur.
2. Pour enlever la grille coulissante, ouvrir la porte, tirer la grille et la sortir. Laver la grille dans de l'eau chaude savonneuse ou au lave-vaisselle. Pour enlever les taches tenaces, utiliser un tampon en nylon ou en polyester. Pour remettre la grille et le plat de cuisson en place, ouvrir complètement la porte et faire glisser la grille dans les rainures de soutien de la grille. S'assurer de la bonne position de la grille.
3. Laver le plat de cuisson dans de l'eau chaude savonneuse. Utiliser un tampon en nylon ou en polyester pour minimiser les égratignures.

Plateau à miettes



Pour ouvrir le plateau à miettes, faire basculer le four vers l'arrière et abaisser le plateau (C). Jeter les miettes et essuyer le plateau avec un chiffon ou un essuie-tout humide puis bien l'assécher. Pour refermer le plateau, le pousser vers l'appareil jusqu'à ce qu'il s'enclenche en place.

Surfaces extérieures

S'assurer que le four est complètement refroidi avant d'essuyer le dessus et les parois extérieures avec un chiffon ou une éponge humide. Bien assécher.

Récipients pour la cuisson

1. L'intérieur de l'appareil mesure 30,5 cm sur 28 cm sur 14 cm (12 po x 11 po x 5,5 po). Avant d'acheter un récipient, en vérifier les dimensions.
2. On peut utiliser des récipients en métal, en verre résistant à la chaleur ou en céramique sans couvercle en verre. Respecter les consignes du fabricant. Il doit y avoir un espace minimal de 2,54 cm (1 po) entre le haut du récipient et les éléments du dessus.
3. Certains aliments congelés sont emballés dans des récipients allant au four à micro-ondes ou au four conventionnel; d'autres ne le sont pas. Vérifier si l'emballage va au four conventionnel. En cas de questions, communiquer avec le fabricant de l'aliment.
4. **Certains articles ne devraient jamais être utilisés dans l'appareil :**
 - Des couvercles en verre sur des plats en verre ou en métal. (Lorsqu'il faut couvrir, utiliser du papier d'aluminium et s'assurer que ce dernier ne touche pas aux éléments chauffants.)
 - Des emballages scellés sous vide (comme des sacs sous vide ou des boîtes de conserve).
 - De la pellicule de plastique ou des couvercles en carton.
 - Des récipients de dimensions supérieures à celles recommandées.
 - Des récipients portant des mises en garde contre l'utilisation dans des cuisinières ou des fours grille-pain.

GUIDE DE RÔTISSAGE

NOTE : Lors du RÔTISSAGE, faire glisser le plat de cuisson sous la grille en se servant des guides. Placer le sélecteur de température à la position de rôtissage (BROIL). Ne pas réchauffer. Les durées de rôtissage indiquées sont approximatives. Afin d'optimiser les résultats, bien cuire le boeuf haché, le poisson et la volaille.

ALIMENT	QUANTITÉ	DURÉE	DIRECTIVES
Morceaux de poulet	De 1 à 6	De 30 à 40 minutes	Placer les morceaux avec peau dessous et tourner après 15 à 25 minutes. Continuer la cuisson jusqu'à 77°C (170 °F).
Saucisses fumées	De 1 à 8	De 8 à 15 minutes	Tourner souvent pour faire dorer de façon uniforme.
Hambourgeois	De 1 à 6 (0, 11 kg (1/4 lb) livre chacun)	De 12 à 18 minutes	Tourner après 6 minutes, continuer à faire cuire jusqu'à ce que le thermomètre à viande atteigne 63°C (145 °F) ou que l'aliment soit cuit au goût.
Bifteck	De 1 à 2 (19mm) (3/4 po) d'épaisseur)	18-25 minutes	Tourner après 10 minutes, continuer à faire cuire jusqu'à ce que le thermomètre à viande atteigne 63°C (145 °F) ou que l'aliment soit cuit au goût.
Côtelettes de porc	De 1 à 6 (19mm) (3/4 po) d'épaisseur)	De 20 à 30 minutes	Tourner après 12 minutes, continuer de faire cuire jusqu'à ce que le thermomètre à viande atteigne 71°C (160 °F).
Darne de poisson	De 1 à 6 (26 mm) (1 po) d'épaisseur)	De 10 à 18 minutes	Faire cuire jusqu'à ce que le poisson se détache facilement à la fourchette.
Sandwich ouvert	De 1 à 4 tranches	7-10 minutes	Faire griller le pain d'abord pour obtenir un sandwich plus croustillant. Ajouter du pain et des au fromage tranches de tomate et de fromage au goût. Faire griller jusqu'à ce que la tomate soit chaude et que le fromage soit fondu.

GUIDE DE CUISSON

NOTE : Lors de la CUISSON, utiliser la fente inférieure de l'appareil et placer le plat de cuisson sur la grille coulissante. Réchauffer l'appareil pendant cinq minutes avant d'y placer l'aliment. Utiliser les durées de cuisson indiquées à titre de référence.

ALIMENT	QUANTITÉ	TEMPÉRATURE/ DURÉE	DIRECTIVES
Morceaux de poulet	Capacité du plat (de 1 à 4 morceaux)	191 °C (375 °F) De 45 à 55 min	Placer dans le plat de cuisson sur la grille. Faire cuire jusqu'à ce que le température de le poulet atteigne 82 °C (180 °F) sur un thermomètre à viande ou que le jus de cuisson soit transparent.
Jambon, côtelettes de porc ou d'agneau, darnes ou filets de poisson	Capacité du plat de cuisson (de 1 à 4 côtelettes ou darnes)	163 °C (325 °F)	Placer dans le plat de cuisson sur la grille.
Biscuits (recettes ou réfrigérés)	De 4 à 6 biscuits	Suivre les instructions de la recette ou de l'emballage	Placer dans le plat de cuisson sur la grille. Cuire jusqu'à ce qu'ils soient cuits et dorés au goût.
Biscuits, petits pains mollets (recettes ou réfrigérés)	Capacité du plat de cuisson	Suivre les instructions de la recette ou de l'emballage	Placer dans le plat de cuisson sur la grille. Cuire jusqu'à ce qu'ils soient cuits et dorés au goût.
Pommes de terre ou patates	De 1 à 6 pommes de terre moyennes	204 °C (400 °F) De 60 à 75 min	Laver, percer les pommes de terre et placer directement sur la grille.
Frites congelées, rondelles d'oignons et autres articles panés surgelés	Capacité du plat de cuisson	Suivre les instructions sur l'emballage	Placer dans le plat de cuisson sur la grille. Tourner une fois pendant la cuisson. Vérifier souvent pour empêcher de trop dorer.
Pizza surgelée		Suivre les instructions sur l'emballage	Placer la pizza directement sur la grille coulissante. Vérifier souvent pour empêcher de trop dorer.

NEED HELP?

For service, repair or any questions regarding your appliance, call the appropriate "800" number on the cover of this book. **Do not** return the product to the place of purchase. **Do not** mail the product back to the manufacturer nor bring it to a service center. You may also want to consult the website listed on the cover of this manual.

**One-Year Limited Warranty
(Applies only in the United States and Canada)**

What does it cover?

- Any defect in material or workmanship; provided; however, Applica's liability will not exceed the purchase price of the product.

For how long?

- One year after the date of original purchase.

What will we do to help you?

- Provide you with a reasonably similar replacement product that is either new or factory refurbished.

How do you get service?

- Save your receipt as proof of the date of sale.
- Check our on-line service site at www.prodprotect.com/applica, or call our toll-free number, 1-800-231-9786, for general warranty service.
- If you need parts or accessories, please call 1-800-738-0245.

What does your warranty not cover?

- Damage from commercial use
- Damage from misuse, abuse or neglect
- Products that have been modified in any way
- Products used or serviced outside the country of purchase
- Glass parts and other accessory items that are packed with the unit
- Shipping and handling costs associated with the replacement of the unit
- Consequential or incidental damages (Please note, however, that some states do not allow the exclusion or limitation of consequential or incidental damages, so this limitation may not apply to you.)

How does state law relate to this warranty?

- This warranty gives you specific legal rights, and you may also have other rights that vary from state to state or province to province.

¿NECESITA AYUDA?

Para servicio, reparaciones o preguntas relacionadas al producto, por favor llame al número del centro de servicio en el país donde usted compró su producto. NO devuelva el producto al fabricante. Llame o lleve el producto a un centro de servicio autorizado.

**DOS AÑOS DE GARANTÍA LIMITADA
(No aplica en México, Estados Unidos o Canadá)**

¿Qué cubre la garantía?

- La garantía cubre cualquier defecto de materiales o de mano de obra. Applica no se responsabiliza por ningún costo que exceda el valor de compra del producto.

¿Por cuánto tiempo es válida la garantía?

- Por dos años a partir de la fecha original de compra.

¿Cómo se puede obtener servicio?

- Conserve el recibo original de compra.
- Por favor llame al número del centro de servicio autorizado.

Esta garantía no cubre:

- Los productos que han sido utilizados en condiciones distintas a las normales
- Los daños ocasionados por el mal uso, el abuso o negligencia.
- Los productos que han sido alterados de alguna manera
- Los daños ocasionados por el uso comercial del producto
- Los productos utilizados o reparados fuera del país original de compra
- Las piezas de vidrio y demás accesorios empacados con el aparato
- Los gastos de tramitación y embarque asociados al reemplazo del producto
- Los daños y perjuicios indirectos o incidentales

BESOIN D'AIDE?

Pour communiquer avec les services d'entretien ou de réparation, ou pour adresser toute question relative au produit, composer le numéro sans frais approprié indiqué sur la page couverture. **Ne pas** retourner le produit où il a été acheté. **Ne pas** poster le produit au fabricant ni le porter dans un centre de service. On peut également consulter le site web indiqué sur la page couverture.

**Garantie limitée de un an
(Valable seulement aux États-Unis et au Canada)**

Quelle est la couverture?

- Tout défaut de main-d'œuvre ou de matériau; toutefois, la responsabilité de la société Applica se limite au prix d'achat du produit.

Quelle est la durée?

- Un an après l'achat original.

Quelle aide offrons nous?

- Remplacement par un produit raisonnablement semblable nouveau ou réusiné.

Comment se prévaut-on du service?

- Conserver son reçu de caisse comme preuve de la date d'achat.
- Visiter notre site web au www.prodprotect.com/applica, ou composer sans frais le 1 800 231-9786, pour obtenir des renseignements généraux relatifs à la garantie.
- On peut également communiquer avec le service des pièces et des accessoires au 1 800 738-0245.

Qu'est-ce que la garantie ne couvre pas?

- Des dommages dus à une utilisation commerciale.
- Des dommages causés par une mauvaise utilisation ou de la négligence.
- Des produits qui ont été modifiés.
- Des produits utilisés ou entretenus hors du pays où ils ont été achetés.
- Des pièces en verre et tout autre accessoire emballés avec le produit.
- Les frais de transport et de manutention reliés au remplacement du produit.
- Des dommages indirects (il faut toutefois prendre note que certains états ne permettent pas l'exclusion ni la limitation des dommages indirects).

Quelles lois régissent la garantie?

- Les modalités de la présente garantie donnent des droits légaux spécifiques. L'utilisateur peut également se prévaloir d'autres droits selon l'état ou la province qu'il habite.

Póliza de Garantía **(Válida sólo para México)**

Duración

Applca de México, S. de R. L. de C.V. garantiza este producto por 2 años a partir de la fecha original de compra.

¿Qué cubre esta garantía?

Esta Garantía cubre cualquier defecto que presenten las piezas, componentes y la mano de obra contenidas en este producto.

Requisitos para hacer válida la garantía

Para reclamar su Garantía deberá presentar al Centro de Servicio Autorizado la póliza sellada por el establecimiento en donde adquirió el producto. Si no la tiene, podrá presentar el comprobante de compra original.

¿Donde hago válida la garantía?

Llame sin costo al teléfono 01 800 714 2503, para ubicar el Centro de Servicio Autorizado más cercano a su domicilio en donde usted podrá encontrar partes, componentes, consumibles y accesorios.

Procedimiento para hacer válida la garantía

Acuda al Centro de Servicio Autorizado con el producto con la póliza de Garantía sellada o el comprobante de compra original, ahí se reemplazará cualquier pieza o componente defectuoso sin cargo alguno para el usuario final. Esta Garantía incluye los gastos de transportación que se deriven de su cumplimiento.

Excepciones

Esta Garantía no será válida cuando el producto:

- A) Se hubiese utilizado en condiciones distintas a las normales.
- B) No hubiese sido operado de acuerdo con el instructivo de uso que le acompaña.
- C) Cuando el producto hubiese sido alterado o reparado por personas no autorizadas por Applca de México, S. de R. L. de C.V.

Nota: Usted podrá encontrar partes, componentes, consumibles y accesorios en los centros de servicios autorizados. Esta garantía incluyen los gastos de transportación que se deriven de sus cumplimiento dentro de sus red de servicio.

Por favor llame al número correspondiente que aparece en la lista a continuación para solicitar que se haga efectiva la garantía y donde Ud. puede solicitar servicio, reparaciones o partes en el país donde el producto fué comprado.

Argentina

Servicio Técnico Central
Service New S.R.L.
Atención al Cliente
Ruiz Huidobro 3860
Buenos Aires, Argentina
Tel.: (54-11) 4546-1212

Chile

Servicio Máquinas y
Herramientas Ltda.
Av. Apoquindo No. 4867 -
Las Condes
Santiago, Chile
Tel.: (562) 263-2490

Colombia

PLINARES
Avenida Ciudad de Quito
#88-09
Bogotá, Colombia
Tel.: (57-1) 610-1604/533-4680

Costa Rica

Aplicaciones Electromecánicas,
S.A.
Calle 26 Bis y Ave. 3
San Jose, Costa Rica
Tel.: (506) 257-5716/223-0136

Ecuador

Castelcorp
Km 2-1/2 Avenida Juan T.
Marengo junto Dicentro
Guayaquil, Ecuador
Tel.: (5934) 224-7878
224-1767

El Salvador

Sedeblack Calle A San Antonio
Abad y Av. Lisboa, Edif. Lisboa
Local #21
San Salvador, El Salvador
Tel.: (503) 274-1179/274-0279

Guatemala

MacPartes, S.A.
34 Calle 4-14 Zona 9
Frente a Tecun
Guatemala City, Guatemala
Tel.: (502) 331-5020
360-0521

Honduras

Lady Lee
Centro Comercial Mega Plaza
Carretera a la Lima
San Pedro Sula, Honduras
Tel.: (504) 553-1612

México

Art. 123 y José Ma. Marroquí
#28-D Centro.
Mexico D.F.
Tel.: 01 (800) 714-2499
(55) 1106-1400

Nicaragua

H & L Electronic
Zumen 3, C. Arriba y 15 Varas
al Sur
Managua, Nicaragua
Tel.: (505) 260-3262

Panamá

Authorized Service Center
Electrodomésticos, S.A.
Boulevard El Dorado, al lado
del Parque de las Mercedes
Panamá, Panamá
Tel.: (507) 236-5404

Perú

AV. REPUBLICA DE PANAMA
3535
Ofic 1303
San Isidro
Lima, Peru
Tel.: 2 22 44 14
Fax: 2 22 44 04

Puerto Rico

Buckeye Service
Jesús P. Piñero #1013
Puerto Nuevo, SJ PR 00920
Tel.: (787) 782-6175

Republica Dominicana

Plaza Lama, S.A.
Av, Duarte #94
Santo Domingo,
República Dominicana
Tel.: (809) 687-9171

Trinidad and Tobago

A.S. Bryden & Sons (Trinidad)
Limited
33 Independence Square,
Port of Spain
Trinidad, W.I.
Tel.: (868) 623-4696

Venezuela

Tecno Servicio TS2002
Av. Casanova
Centro Comercial del Este
Local 27
Caracas, Venezuela
Tel.: (58-212) 324-0969

Sello del Distribuidor:


Fecha de compra:

Modelo:

Comercializado por:
Applca de México, S. de R. L. de C.V.
Manuel Avila Camacho No. 2900-902,
Torre el Dorado, Fracc. Los Pirules,
Tlalnepantla, Edo. de México, CP 54040.
R. F. C. AME-001026- PE3.

Servicio y Reparación
Art. 123 y José Ma. Marroquí # 28 D
Col. Centro, Mexico D. F., CP 06050

Servicio al Consumidor,
Venta de Refacciones y Accesorios
01 800 714 2503

 **BLACK&DECKER** is a trademark of The Black & Decker Corporation, Towson, Maryland, USA
Marca registrada de *The Black & Decker Corporation*, Towson, Maryland, E.U.
Marque de commerce déposée de la société *The Black & Decker Corporation*, Towson, Maryland, É.-U.

Copyright © 2005 Applica Consumer Products, Inc.
Pub. No. 1000001817-02
Made in People's Republic of China
Printed in People's Republic of China

1200 W 120 V ~ 60Hz


Applica Consumer Products, Inc.

R22004/12-22-66 E/S/F

Importado por:

Applica de México S. de R.L. de C.V.
Blvd. Manuel Avila Camacho 2900 Int. 902
Los Pirules, Tlalnepantla,
Edo. Mex.
C.P. 54040
México

Teléfono: (55) 1106-1400

Del interior marque sin costo

01 (800) 714-2499

Fabricado en la República Popular de China
Impreso en la República Popular de China

Fabriqué en République populaire de Chine
Imprimé en République populaire de Chine

Free Manuals Download Website

<http://myh66.com>

<http://usermanuals.us>

<http://www.somanuals.com>

<http://www.4manuals.cc>

<http://www.manual-lib.com>

<http://www.404manual.com>

<http://www.luxmanual.com>

<http://aubethermostatmanual.com>

Golf course search by state

<http://golfingnear.com>

Email search by domain

<http://emailbydomain.com>

Auto manuals search

<http://auto.somanuals.com>

TV manuals search

<http://tv.somanuals.com>