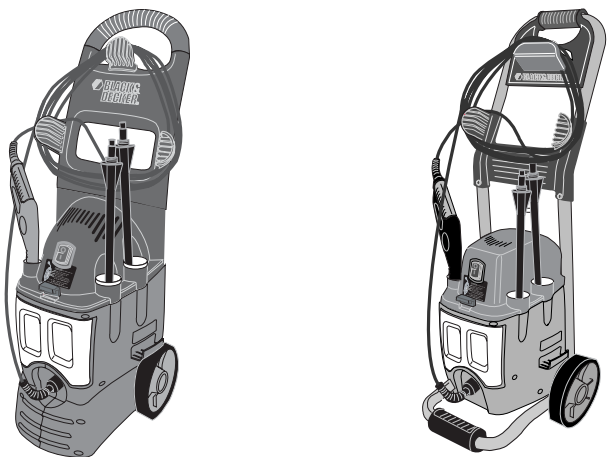




## 13 Amp Electric Power Washer

Catalog Number PW1600, PW1750

# INSTRUCTION MANUAL



**BEFORE RETURNING THIS PRODUCT  
FOR ANY REASON PLEASE CALL**

**1-800-544-6986**

**IF YOU SHOULD EXPERIENCE A PROBLEM  
WITH YOUR BLACK & DECKER PRODUCT,**

**CALL 1-800-544-6986**

IN MOST CASES, A **BLACK & DECKER** REPRESENTATIVE CAN RESOLVE YOUR PROBLEM OVER  
THE PHONE. IF YOU HAVE A SUGGESTION OR COMMENT, GIVE US A CALL. YOUR FEEDBACK IS

VITAL TO BLACK & DECKER.

**SAVE THIS MANUAL FOR FUTURE REFERENCE.**

**VEA EL ESPAÑOL EN LA CONTRAPORTADA.**

INSTRUCTIVO DE OPERACIÓN, CENTROS DE SERVICIO  
Y PÓLIZA DE GARANTÍA. **ADVERTENCIA:** LEÁSE ESTE  
INSTRUCTIVO ANTES DE USAR EL PRODUCTO.

## IMPORTANT SAFETY INSTRUCTIONS

**⚠WARNING:** When using this product, basic precautions should always be followed, including the following:

1. Read and understand all instructions before using the product.
2. To reduce the risk of injury, close supervision is necessary when a product is used near children.
3. Know how to stop this product and bleed pressure quickly. Be thoroughly familiar with the controls.
4. Stay alert - watch what you are doing.
5. Do not operate this product when fatigued or under the influence of alcohol or drugs.
6. Keep operating area clear of all persons.
7. Do not use on ladder. Loss of balance and serious injury could result. Do not overreach or stand on unstable support. Keep good footing and balance at all times.
8. Follow the maintenance instructions specified in the manual.
9. This product is provided with a Ground Fault Circuit Interrupter (GFCI) built into the power cord. If replacement of the plug or cord is needed, use only identical replacement parts.
10. **⚠WARNING:** Risk of Injection or Injury. Do Not Direct Discharge Stream at Persons.

## GENERAL SAFETY RULES

**⚠WARNING:** When using this product, basic precautions should always be followed, including the following:

1. Always follow detergent manufacturer's label recommendations for proper use of detergents. Always protect eyes, skin and respiratory system from detergent if used.
2. Never try to stop or deflect leaks with any body part.
3. Never put hand or fingers over the spray tip while operating the unit.
4. Always wear safety glasses or goggles, hearing and respiratory protection and protective clothing when operating or performing maintenance.
5. Always engage the trigger safety latch in the safe position when spraying is stopped

even if only for a few moments.

6. Keep clear of nozzle. Never direct high pressure spray at any person, animal or self.
7. Do not use pressure that exceeds the operating pressure of any of the parts (hoses, fittings, etc.) in the pressurized system. Never use with any other manufacturers accessories or components.
8. Never spray flammable liquids or use pressure washer in areas containing combustible dust, liquids or vapors.
9. Never operate this machine in or near an explosive environment.
10. Do not spray electrical apparatus and wiring.
11. Never disconnect the high pressure discharge hose from the machine while the system is pressurized. To depressurize machine, turn power and water supply off, then press gun trigger 2-3 times.
12. Never permanently engage the trigger mechanism on the gun.
13. Never operate the machine without all components properly connected to the machine (handle, gun/wand assembly, nozzle, etc.).
14. Always turn water supply "on" before turning pressure washer "on" unless draining for storage. Running pump dry causes serious damage.
15. Do not operate the pressure washer with the inlet water filter removed. Keep filter clear of debris and sediment.
16. Never operate pressure washer with broken or missing parts. Check equipment regularly and repair or replace worn or damaged parts immediately.
17. Use only the nozzles, parts and accessories supplied with this machine.
18. Never leave the wand unattended while the machine is running or switched on.
19. Always hold gun and wand firmly when starting and operating the machine.
20. Discharge residual pressure by pressing the trigger until no more water comes out of the nozzle.

**⚠ CAUTION:** Wear appropriate hearing protection during use. Under some conditions and duration of use, noise from this product may contribute to hearing loss.

**⚠ WARNING:** This product contains chemicals, including lead, known to the state of California to cause cancer, and birth defects or other reproductive harm. **Wash hands after handling.**

## GROUNDING INSTRUCTIONS

This product must be grounded. If it should malfunction or break down, grounding provides a path of least resistance for electric current to reduce the risk of electric shock. This product is equipped with a cord having an equipment-grounding conductor and a grounding plug. The plug must be plugged into an appropriate outlet that is properly installed and grounded in accordance with all local codes and ordinances.

**⚠DANGER:** Improper connection of the equipment-grounding conductor can result in a risk of electrocution. Check with a qualified electrician or service personnel if you are in doubt as to whether the outlet is properly grounded. Do not modify the plug provided with the product - if it will not fit the outlet, have a proper outlet installed by a qualified electrician. Do not use any type of adapter with this product.

**⚠WARNING:** To reduce the risk of electrocution, keep all connections dry and off the ground. Do not touch plug with wet hands.

## GROUND FAULT CIRCUIT INTERRUPTER PROTECTION

This pressure washer is provided with a Ground Fault Circuit Interrupter (GFCI) built into the power supply cord. This device provides additional protection from the risk of electrical shock. Should replacement of the plug or cord become necessary, use only identical replacement parts that include GFCI protection. See **Figure 13** for testing procedure.

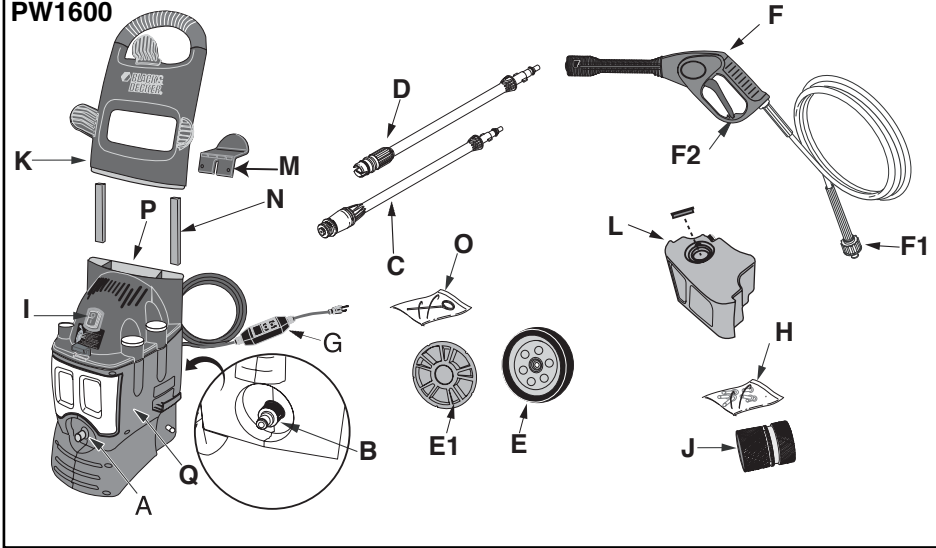
**⚠ WARNING: Connect directly to outlet. Do not use with extension cord. The use of an extension cord will override the GFCI built into the plug of the power supply cord resulting in the risk of electrical shock.**

• The label on your tool may include the following symbols.

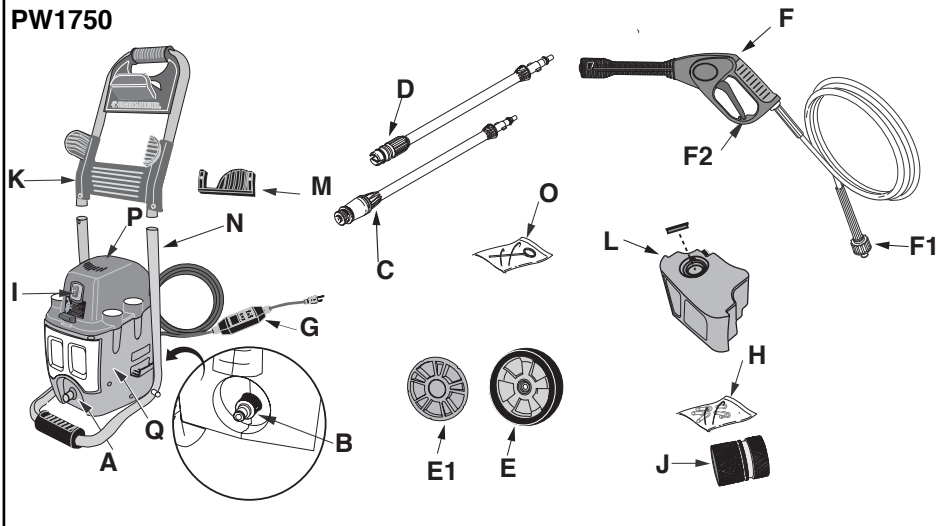
- V .....volts
- A .....amperes
- Hz .....hertz
- W .....watts
- min .....minutes
- ~ .....alternating current
- ==== .....direct current
- no .....no load speed
- ▣ .....Class II Construction
- .../min .....revolutions or reciprocation per minute
- ⊕ .....earthing terminal
- ⚠ .....safety alert symbol

## SAVE THESE INSTRUCTIONS

## PW1600



## PW1750



- |  |                                      |
|--|--------------------------------------|
| A. High pressure water outlet (OUTLET) | I. On/off switch                     |
| B. Pump Quick Connector                | J. Garden hose Quick Connector       |
| C. High pressure turbo wand            | K. Handle                            |
| D. Adjustable fan wand                 | L. Removable detergent tank with cap |
| E. Wheels                              | M. Cord wrap top hook                |
| E1. Wheel Cap                          | N. Steel Support tubes               |
| F. Gun                                 | O. Nozzle Cleaning tool              |
| F1. High pressure hose connector       | P. Black top housing                 |
| F2. Gun safety catch                   | Q. Orange main housing               |
| G. Power supply cord with GFCI         |                                      |
| H. Hardware bag                        |                                      |

## UNIT ASSEMBLY

### PW1600 ASSEMBLY:

#### Tools Required:

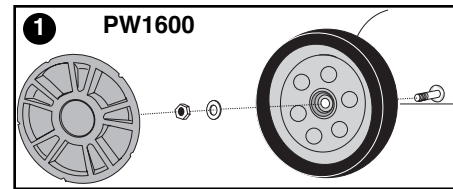
- Philips screwdriver
- Adjustable wrench

#### Hardware Bag Contents:

- 2 pcs. flat washers
- 2 pcs. hex locking nuts
- 6 pcs. 5/8" screws

#### Wheel Assembly - PW1600

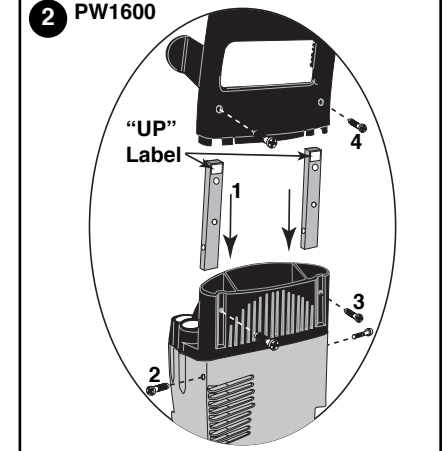
Remove the 2 protective plastic end caps from axle and discard. Place wheel (E), flat washer, and hex locking nut over axle end as shown with smooth face of wheel having circular holes only facing outwards (side of wheel with raised spokes faces inwards toward pressure washer body). Using a wrench, tighten nut securely. Align wheel cap (E1) over wheel face as shown and press center of wheel cap until it snaps securely to wheel.



#### Handle Assembly - PW1600

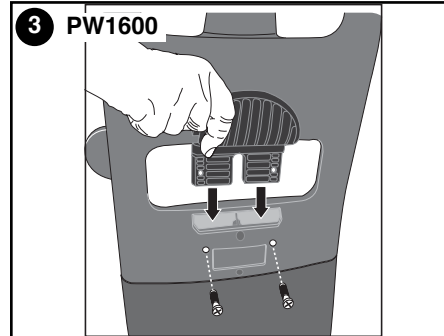
- 1.) With rectangular steel tube (N) ends pointing upwards as labeled, push tubes down firmly into rectangular holes in black top housing (P) until they hit bottom.
- 2.) Drive one 5/8" screw through the hole in each side of the orange housing (Q) as shown and into the tapped hole of the tube until tight.
- 3.) Next drive one 5/8" screw through each hole in the upper back side of the black top housing (P) as shown into the tapped hole of the tube until tight.
- 4.) You are now ready to align the rectangular holes in bottom of handle (K) over the tubes, pushing the handle down until its bottom edge slides into black housing (P) fully. Drive one 5/8" screw through each hole in the back of the handle (K) as shown into the tubes until tight to complete handle assembly.

## 2 PW1600



#### Upper Cord Wrap Hook Assembly - PW1600

Insert cord wrap top hook (M) into the rear slot in handle (K), pushing down firmly until it stops. Drive two 1 1/2" self tapping screws included in cord hook bag through handle holes into cord wrap hook as shown until tight. **DO NOT** over tighten.



### PW1750 ASSEMBLY:

#### Tools Required:

- Philips screwdriver
- Adjustable wrench

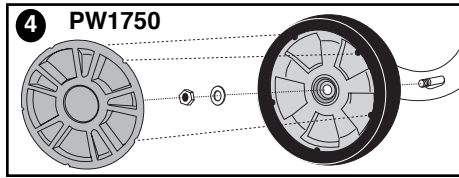
#### Hardware Bag Contents:

- 2 pcs. flat washers
- 2 pcs. hex locking nuts

#### Wheel Assembly - PW1750

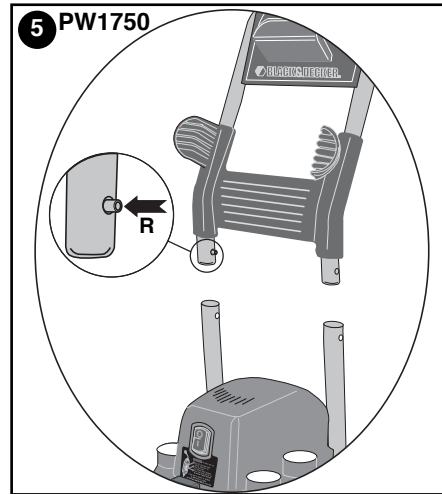
Remove the 2 protective plastic end caps from axle and discard. Place wheel (E) with 5 raised square bumps facing outwards as shown below over threaded axle end, followed by flat washer, and hex locking nut. Using wrench, tighten nut securely. Align 5 square knoches in wheel cap (E1) to raised

bumps of wheel as shown and press center of wheel cap until it snaps securely to wheel.



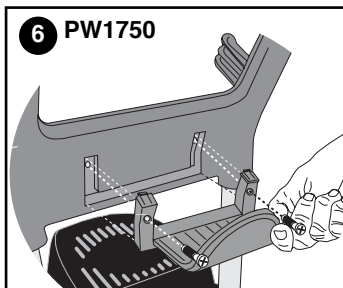
#### Handle Assembly - PW1750

Align and begin to push tubes of handle (K) down inside lower tubes (N) as shown. Press spring buttons (R) of handle (K) inward as handle tubes are pushed down fully into lower tubes (N), and both spring buttons protrude out through holes in lower tube (N) completing assembly.



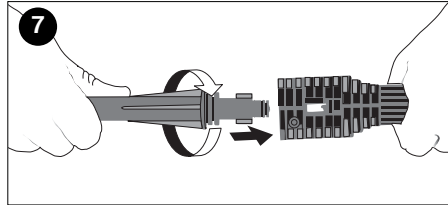
#### Upper Cord Wrap Hook Assembly - PW1750

Insert cord wrap top hook (M) into the rear slots in handle (K) by pushing upward and inward to snap in place. Drive two 1/2" self tapping screws included in cord hook bag through cord wrap holes into handle as shown until tight. **DO NOT** over tighten.

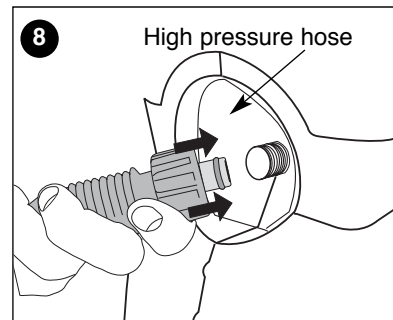


## SET-UP / ADJUSTMENT

**Figure 7** - Insert the fan wand (D) into the gun wand (F) by pushing and rotating until the two parts are locked as shown in **Figure 7**.

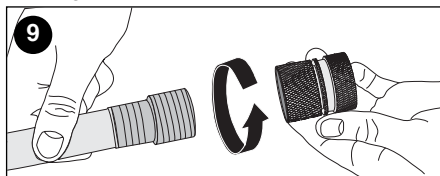


**Figure 8** - Connect the high pressure hose (F1) to the water (OUTLET) (A) on the unit by first inserting the brass end of the hose into the threaded outlet on the front of the unit, then snugly threading on the hose coupling.

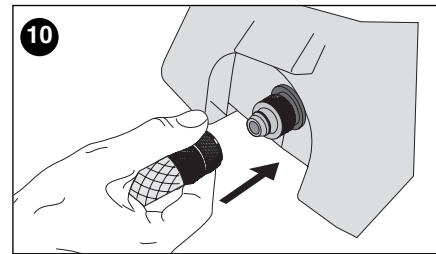


**Figure 9** - Connect the garden hose quick connector (J) to your garden hose as shown in **Fig. 9**. The intake water temperature must NOT exceed 50°C (122°F). The water supply pressure must be between 20 and 80 psi.

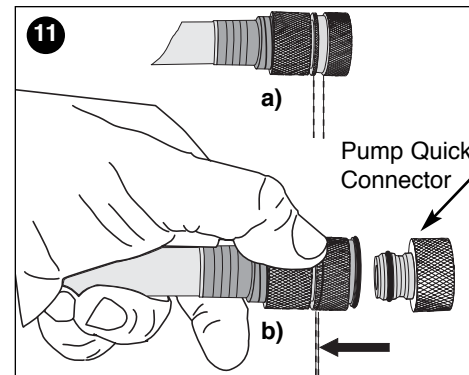
**CAUTION:** The pressure washer must only be used with clean water; use of unfiltered water or corrosive chemicals will damage the pressure washer.



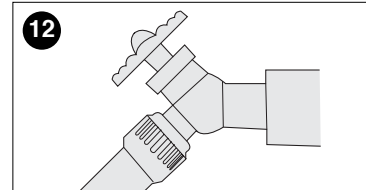
**Figure 10** - With the quick connector (J) attached to your garden hose, pull back on its outer ring and push firmly onto the mating pump quick connector (B), (already attached to the pressure washer inlet), then release ring to engage.



**IMPORTANT:** The outer brass ring on the garden hose quick connector **MUST** be pulled back fully as shown in **Fig. 11b** before pushing it over the pump quick connector (B). Water will not flow through to the pump if these 2 connectors are not fully coupled.



**Figure 12** - Connect other end of garden hose to the cold water source and turn water on full. This pressure washer is not intended to pump hot water. Never connect it to a hot water supply as it will significantly reduce the life of the pump.



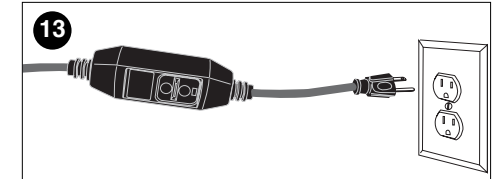
## OPERATION

**NOTE:** Before cleaning any surface, an inconspicuous area should be cleaned to test spray pattern and distance for maximum cleaning results. If painted surfaces are peeling or chipping, use extreme caution as pressure washer may remove the loose paint from the surface. This Pressure Washer is equipped with automatic delivery flow cut-off:

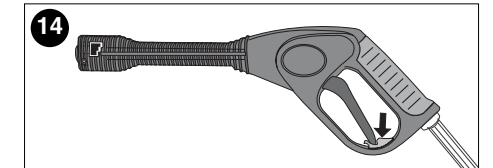
When the trigger is **released**, the dynamic pressure automatically stops the motor.

When the trigger is **pressed**, the internal pressure drop automatically starts the motor and the spray pressure is restored with a very slight delay.

**Figure 13** - Ensure the on/off switch (I) is in the off position before plugging in the unit. Depress the switch portion marked "O" to ensure unit is off. Plug the Ground Fault Circuit Interrupter (GFCI) (G) into a power outlet. Indicator should turn red. **TEST BEFORE EACH USE.** Press the "TEST" button. Red indicator should disappear. Press "RESET" button again for use. Do not use if above test fails.

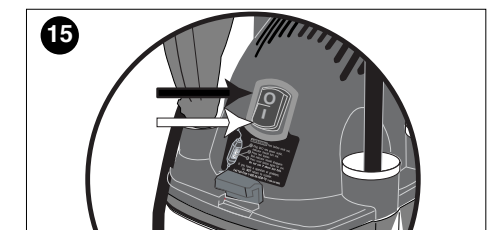


**Figure 14** - Before each use, ensure the gun safety catch is released by pushing it down as shown, then press the trigger for a few seconds to allow air to escape and to discharge residual pressure in the hoses.



**Figure 15** - Turn on the pressure washer by depressing the bottom half of the switch (I) marked "I". The unit will run for a few seconds as it builds up pressure, then will shut off. It will run on demand as the gun trigger is depressed. Turn off the pressure washer by depressing the upper half of the switch marked "O".

**YOUR PRESSURE WASHER IS NOW READY TO USE - PLEASE REVIEW THE FOLLOWING FOR DETAILS ON ACCESSORIES APPLICATION.**

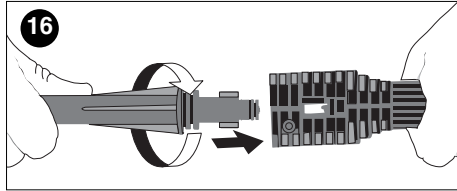


## ACCESSORIES

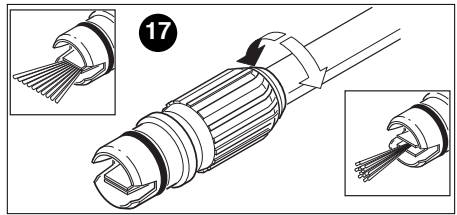
**⚠ CAUTION:** Before changing accessories, adjusting pressure, or engaging detergent draw system, switch the unit off, pull trigger to release pressure, and activate gun safety catch.

### • ADJUSTABLE FAN WAND

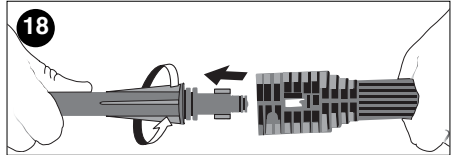
1.) Insert the fan wand (D) into the gun wand (F) by pushing and rotating until the two parts are locked as shown in **Figure 16**.



2.) To obtain maximum pressure, rotate the fan wand nozzle in a clockwise direction as shown in **Figure 17**. This narrow stream results in deeper cleaning in a concentrated area. For a wider fan pattern rotate the fan wand nozzle in the counterclockwise direction. The wider fan pattern reduces the risk of surface damage and allows for cleaning large surface areas quickly.

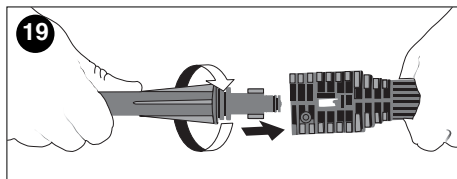


3.) To remove, push fan wand into gun wand and twist as shown in **Figure 18**.

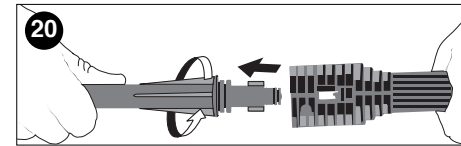


### • TURBO NOZZLE

1.) Insert the turbo nozzle wand (C) into the gun wand (F) by pushing and rotating until the two parts are locked as shown in **Figure 19**.



3.) To remove, push turbo wand into gun wand and twist as shown in **Figure 20**.

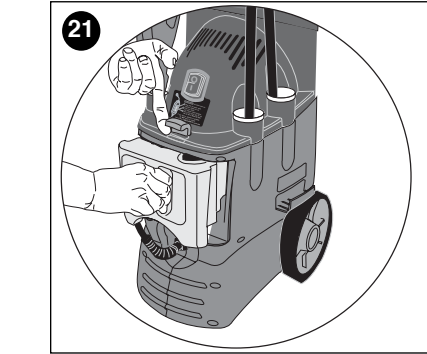


### • DETERGENT DISPENSER

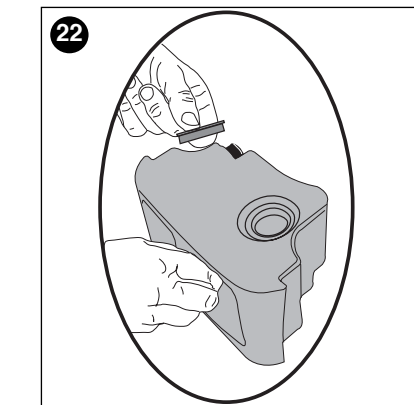
Follow detergent manufacturer's label directions for mixing correct concentrations of soap and detergents.

To use the detergent dispenser:

1.) Pull locking tab upwards as shown in **Fig. 21** and pull tank out of unit.

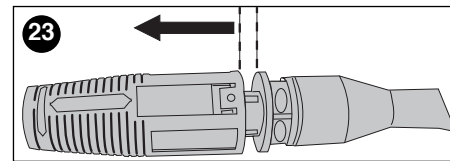


2.) Lift up to remove cap as shown in **Figure 22**, fill tank with detergent and replace cap. Reinsert tank fully into unit until locking tab snaps into place.



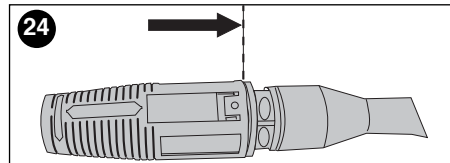
3.) Insert the adjustable fan wand into gun. Detergent applicator will only work with adjustable fan wand.

4.) With the on-off switch in "off" (O) position, pull the adjustable fan wand nozzle outwards as shown in **Figure 23** to allow detergent pick up. Put on-off switch in "on" (I) position.



5.) Apply detergent as directed by the detergent manufacturer.

6.) To rinse, put the on-off switch in the "off" (O) position before pushing the adjustable fan wand nozzle inwards as shown in **Figure 24**. This will increase water pressure and automatically stop detergent flow. Return on-off switch to "on" (I) position.



7.) Rinse detergent from surface.

8.) When you have finished using the detergent dispensing system, or when changing from one detergent type to another, you must ensure the entire system has been rinsed clean. To do this, remove tank to empty remaining detergent, and rinse tank out several times with clean water. Then fill detergent tank with clean water and replace into pressure washer. Leaving the nozzle in the outward detergent pick up position as shown in **figure 23**, press the gun trigger for 1 minute until only clean water is sprayed. Remove tank and empty remaining water. **NOTE:** Failure to follow the above detergent rinsing procedure will cause the dispensing system to become clogged.

#### **NOTE: DO NOT USE:**

- Bleach, chlorine products and other corrosive chemicals.
- Liquids containing solvents (i.e., paint thinners, gasoline, oils)
- Tri-sodium phosphate products
- Ammonia products
- Acid-based products

These chemicals will harm the unit and will damage the surface being cleaned.

## SURFACE PREPARATION

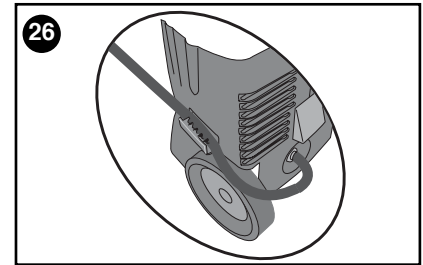
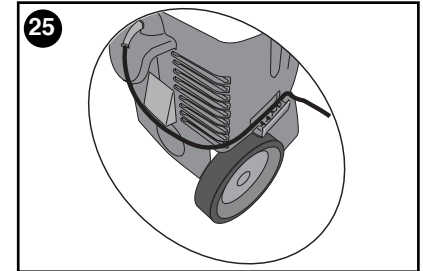
Before starting any cleaning task it is important to inspect the area for objects which could create a hazard. Remove objects from the area which could be tripped over such as children's toys or outdoor

furniture. Insure that all doors and windows are closed tight. Also make sure that all plants and trees in the adjacent area are protected by a drop cloth ensuring that they will not be harmed by any over spray.

## RELOCATING UNIT

1.) To move unit to another location during cleaning, switch off unit before moving it.

2.) Place power cord and garden hose into retaining clips as shown in **Figures 25 & 26**.

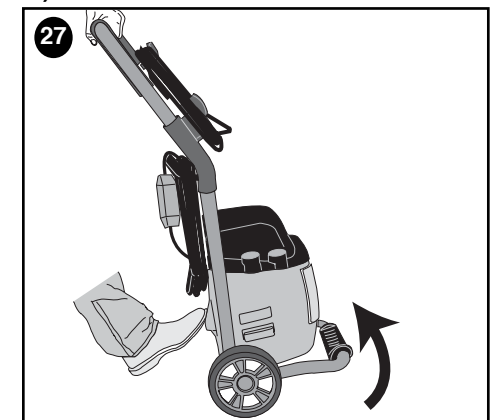


3.) Place hand on upper handle and prop foot against base of unit as shown in **Fig. 27** and tilt the unit backwards.

4.) Pull unit to desired location.

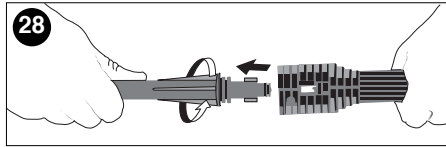
5.) Remove garden hose and power cord from retaining clips.

6.) Switch unit on to continue use.

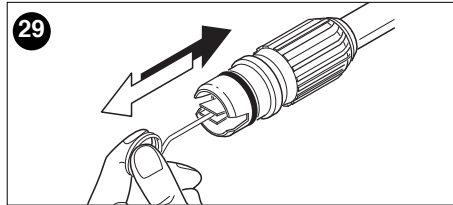


## GENERAL CLEANING TIPS

- Remove the fan wand (D) from the gun wand (F) as shown in **Figure 28**.



- Clean the nozzle with the cleaning tool (O). Remove any dirt from the fan wand nozzle hole as shown in **Figure 29** and rinse.

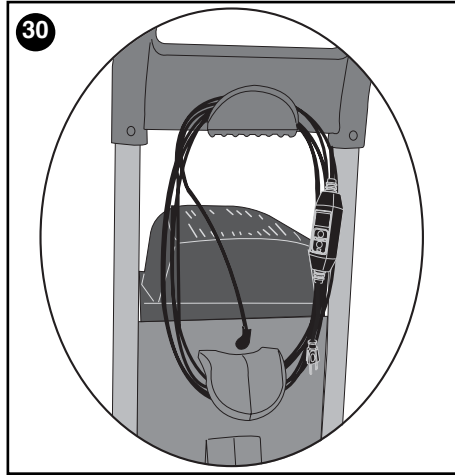


- For cleaning tasks such as deck or brick patio cleaning, limit your work area to approximately 25 square feet at a time.
- Pre-rinse cleaning area with fresh water.
- Use only detergents formulated for pressure washers.
- Always test detergent in an inconspicuous area before use.
- Begin with a wide fan nozzle spray and adjust the pressure to the desired spray pattern.
- The best angle for spraying water against a cleaning surface is 45 degrees. Spraying head on tends to cause dirt particles to imbed in the surface. When working on vertical surfaces, it is best to apply detergent starting at the bottom and working upwards which will prevent the detergent from sliding down and causing streaks.

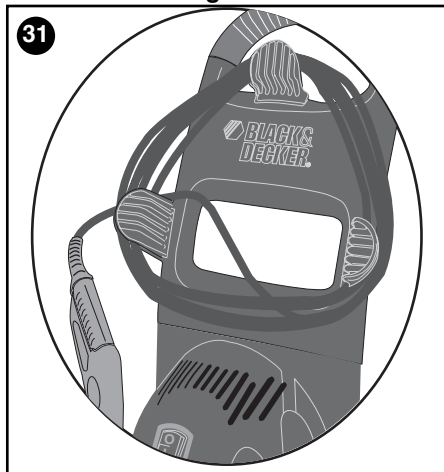
## SHUTDOWN / STORAGE

1. Ensure detergent tank and dispensing system has been thoroughly rinsed as described on **page 9**, and empty tank has been replaced in unit. To empty remaining water from detergent system put on-off switch in "on" (I) position, and with nozzle in outward detergent pick up position, press gun trigger for 30 seconds. Water from the pump will still be sprayed at low pressure after 30 seconds, but detergent system will be purged.
2. Put the on-off switch in "off" (O) position and unplug the cord from the outlet.
3. Turn off water at the faucet.

4. Disconnect the garden hose from the water inlet.
5. Without garden hose connected to unit, turn unit on for a few seconds and squeeze gun trigger until water spray stops. Turn off switch immediately.
6. Remove any remaining fluid from detergent tank.
7. Wrap power cord on rear of unit, clipping plug onto cord as shown in **Figure 30**.



8. Disconnect the high pressure hose from the high pressure outlet and drain hose by pressing gun trigger.
9. Engage the gun safety catch.
10. Wrap high pressure hose on front of unit as shown in **Fig. 31**.



**IMPORTANT:** Store pressure washer indoors away from areas that might freeze to avoid seriously damaging the pump.

## MAINTENANCE

Clean the nozzle with the tool provided. Remove any dirt from the spray wand nozzle hole as shown in **Figure 29** and rinse.

Use only mild soap and damp cloth to clean the tool. **CAUTION:** Never use the pressure washer to clean itself.

**IMPORTANT:** To assure product SAFETY and RELIABILITY, repairs, maintenance and adjustment should be performed by authorized service centers or other qualified service personnel, always using identical replacement parts.

## ACCESSORIES

**WARNING:** The use of any accessory not recommended for use with this pressure washer could be hazardous.

## SERVICE INFORMATION

**Do not return this product to your retailer.** Black & Decker offers a full network of company-owned and authorized service locations throughout North America. All Black & Decker Service Centers are staffed with trained personnel to provide customers with efficient and reliable power tool service.

Whether you need technical advice, repair, or genuine factory replacement parts, contact the Black & Decker location nearest you.

To find your local service location, refer to the yellow page directory under "Tools—Electric" or call: **1-800-544-6986**.

## TWO-YEAR HOME USE WARRANTY

Black & Decker (U.S.) Inc. warrants this product for two years against any defects in material or workmanship. The defective product will be replaced or repaired at no charge. **Do not return this product to your retailer.**

Take or send the product (prepaid) to a Black & Decker owned or authorized Service Center for repair or replacement at our option. Proof of purchase may be required. Black & Decker owned and authorized Service Centers are listed under "Tools-Electric" in the yellow pages of the phone directory.

This warranty does not apply to accessories. This warranty gives you specific legal rights and you may have other rights which vary from state to state and province to province. Should you have any questions, contact the manager of your nearest Black & Decker Service Center. This product is not intended for commercial use.

**Free Warning Label Replacement:** If your warning labels become illegible or are missing, call **1-800-544-6986** for a free replacement.

## TECHNICAL INFORMATION

Operating pressure – 1250/1300psi  
Maximum pressure\* - 1600/1700psi

1. Maximum Water Flow rate\* - 1.6gpm
2. Electrical requirements – 120V, 15amps, 60hz
3. Electrical cord – 35ft
4. High pressure hose – 25ft
5. Minimum amperage source – 15amps
6. Pressure of inlet water – 20 to 80 psi
7. Inlet water – Cold water only
8. Chemical injection rate 0.1 gpm

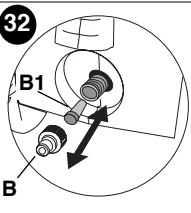
\*Water flow and Max. pressure ratings determined in accordance with PWMA standard PW101.

Black & Decker (U.S.) Inc.,  
701 E. Joppa Rd.  
Towson, MD 21286 U.S.A.

See 'Tools-Electric'  
– Yellow Pages –  
for Service & Sales



## TROUBLESHOOTING GUIDE

Symptom	Cause	Solution
Motor does not start.	Unit not plugged in.	Plug in power cord.
	On/Off switch is in the Off position.	Turn switch to the "On" position.
	Gun trigger not being squeezed.	Squeeze gun trigger with switch in "ON" position.
	GFCI tripped.	Press reset button at GFCI on plug end of cord.
Unit does not reach high pressure.	Water faucet not fully turned on.	Open water faucet fully.
	Water inlet filter clogged.	Remove filter <b>(B1)</b> and rinse to clean. <b>Fig. 32</b>
	Nozzle worn.	Contact B&D Customer Service Representative at <b>1-800-544-6986</b> .
	Pump is sucking air.	Check that hoses and fittings are air tight. Turn off machine and purge pump by squeezing gun trigger until a steady flow of water emerges from the nozzle.
Output pressure varies high/low.	Water supply restricted.	Check garden hose for kinks, leaks and blockage.
	Not enough inlet water supply.	Turn water on full force - check garden hose for leaks and kinks.
	Pump is sucking air.	Check that hoses and fittings are air tight. Turn off machine and purge pump by squeezing gun trigger until a steady flow of water emerges from the nozzle.
	Water inlet filter clogged.	Remove filter <b>(B1)</b> and rinse to clean. <b>Fig. 32</b>
	Discharge nozzle is obstructed.	Remove debris as shown in <b>Fig. 29</b> with tool provided.
	Adjustable fan wand nozzle tip is not pulled forward.	Pull nozzle tip forward.
No detergent.	Turbo wand is installed.	Remove turbo wand. Install adjustable fan wand and pull nozzle tip forward.
	Detergent container is empty.	Add more detergent.
	Detergent is too thick.	Use detergent recommended for use in pressure washers only.
	Filter on detergent suction tube is clogged.	Fill tank with warm water and allow filter to soak. Empty and fill tank with clean water several times to rinse out filter.
	Discharge nozzle is obstructed.	Remove debris as shown in <b>Fig. 29</b> with tool provided.
	Garden hose connection leaks.	Loose fittings. Missing/worn rubber washer.

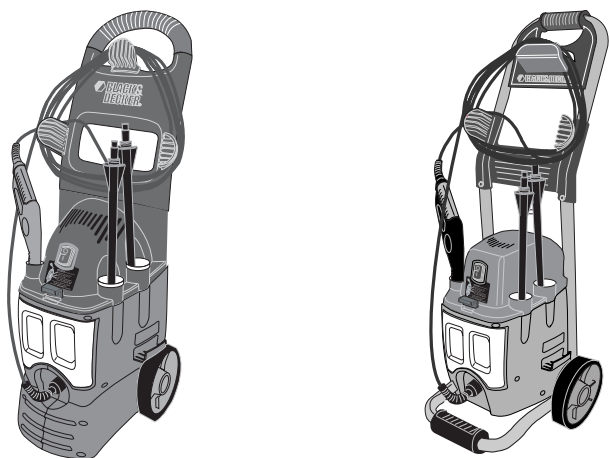
## TROUBLESHOOTING GUIDE - continued

Symptom	Cause	Solution
Spray wand or extension leaks.	Spray wand not properly attached.	Insert the spray wand into the wand extension. Push in and turn to lock spray wand into place.
	Broken O-ring.	Contact B&D Customer Service Representative at <b>1-800-544-6986</b> .
Pump is excessively noisy.	Pump is sucking air.	Check that hoses and fittings are air tight. Turn off machine and purge pump by squeezing trigger gun until a steady flow of water emerges from the nozzle.
Water leaks from pump.	Loose fittings. Water seals are damaged or worn.	Check that all fittings are tight. Contact B&D Customer Service Representative at <b>1-800-544-6986</b> .
Oil leak.	Oil seals are damaged or worn.	Contact B&D Customer Service Representative at <b>1-800-544-6986</b> .
Motor buzzes but fails to run.	Supply voltage below minimum.	Verify that <b>ONLY</b> the pressure washer is running on this circuit.
	System has residual pressure.	Turn unit off, squeeze gun trigger to release pressure, then turn unit on.
	Voltage loss due to extension cord.	Do not use extension cord with this unit - plug directly into outlet.
	Cleaner not used for long periods.	Contact B&D Customer Service Representative at <b>1-800-544-6986</b> .

# Nettoyeur à pression électrique compact

No de catalogue PW1600, PW1750

## MANUEL D'UTILISATION



AVANT DE RETOURNER CE PRODUIT POUR  
QUELQUE RAISON QUE CE SOIT, APPELEZ  
BLACK & DECKER AU 1 800 544-6986

### IMPORTANTES CONSIGNES DE SÉCURITÉ

**⚠ AVERTISSEMENT** : Lorsqu'on utilise ce produit, on doit s'assurer de suivre les directives indiquées ci-dessous, y compris les consignes de sécurité suivantes:

1. Lire et comprendre toutes les directives avant d'utiliser ce produit.
2. Afin de réduire les risques de blessure, surveiller attentivement les enfants lorsqu'on utilise ce produit à proximité de ces derniers.
3. S'assurer de savoir comment arrêter ce produit et le purger rapidement et de bien en connaître les commandes.
4. Rester vigilant en tout temps.
5. Ne pas utiliser ce produit lorsqu'on est fatigué ou sous l'influence de drogues ou d'alcool.
6. Tenir toute autre personne à l'écart de la zone de travail.
7. Ne pas utiliser sur une échelle. Perte d'équilibre et blessures graves pourraient en résulter. Ne pas travailler hors de portée ou sur un support instable. Maintenir son équilibre et les pieds bien ancrés au sol en tout temps.
8. Suivre les instructions d'entretien spécifiées dans ce manuel.
9. Ce produit est pourvu d'un Disjoncteur de fuites à la terre (DDFT) intégré au cordon d'alimentation. Dans l'éventualité où la fiche ou le cordon devrait être remplacé, n'utiliser que des pièces de rechange identiques.
10. **⚠ AVERTISSEMENT** : Afin d'éviter les risques d'injection ou de blessure, ne pas diriger le jet d'eau vers des personnes.

### RÈGLES DE SÉCURITÉ - GÉNÉRALITES

**⚠ AVERTISSEMENT** : Lorsqu'on utilise ce produit, on doit s'assurer de suivre les directives indiquées ci-dessous, y compris les consignes de sécurité suivantes :

1. Toujours suivre les recommandations précisées sur l'étiquette du fabricant de détergent afin de s'assurer qu'on utilise correctement les détergents. Toujours protéger les yeux, la peau et le système respiratoire lorsqu'on utilise un détergent.
2. Ne jamais tenter d'utiliser une partie du

corps pour arrêter ou détourner une fuite.

3. Ne jamais placer les mains ou les doigts sur l'embout de pulvérisation lorsque l'appareil fonctionne.
4. Toujours porter des lunettes de sécurité, des protecteurs auditifs, un appareil de protection respiratoire et des vêtements de protection lorsqu'on utilise l'appareil ou qu'on en effectue l'entretien.
5. Toujours enclencher le verrou de sécurité de la gâchette en position fermée chaque fois qu'on cesse de pulvériser, même si ce n'est que pour quelques minutes.
6. Se tenir éloignée de la buse; ne jamais diriger le jet à haute pression vers une autre personne, un animal ou soi-même.
7. N'utiliser qu'avec des accessoires ayant une valeur nominale de 140 bars ou moins. Ne jamais utiliser une pression supérieure à la pression d'utilisation d'une pièce quelconque (flexible, raccord, etc.) lorsque le système est sous pression, ni un accessoire ou un composant d'un autre fabricant.
8. Ne jamais pulvériser de liquide inflammable ni utiliser le nettoyeur à pression en présence de poussières, de liquides ou de vapeurs combustibles.
9. Ne jamais faire fonctionner cette machine dans un environnement explosif ou à proximité de celui-ci.
10. Ne jamais pulvériser d'appareils ou de fils électriques.
11. Ne jamais débrancher le tuyau d'évacuation haute pression de la machine lorsque le système est sous pression. Pour dépressuriser le système, mettre la machine hors tension, puis fermer le système d'approvisionnement en eau et enfoncer la gâchette 2 ou 3 fois.
12. Ne jamais enclencher le mécanisme de détente de façon permanente.
13. S'assurer que tous les composants (poignée, ensemble pistolet/tube rallonge, buse, etc.) sont raccordés correctement à la machine avant de la faire fonctionner.
14. Toujours mettre le système d'approvisionnement en eau à la position de marche (« ON ») avant de mettre le nettoyeur sous tension afin d'éviter de faire fonctionner la pompe à sec et



d'endommager sérieusement la machine, sauf lorsqu'on purge le système en vue de le ranger.

15. Ne pas utiliser le nettoyeur à pression lorsque la grille d'entrée d'eau n'y est pas rattachée. Toujours s'assurer que la grille est exempte de débris et de dépôts.

16. Ne jamais faire fonctionner le nettoyeur lorsque certaines pièces sont manquantes ou brisées. Vérifier régulièrement l'équipement et faire réparer ou remplacer immédiatement les pièces usées ou endommagées, le cas échéant.

17. N'utiliser que les buses, les pièces et les accessoires fournis avec la machine.

18. Ne jamais laisser le tube rallonge sans surveillance lorsque la machine est en marche ou sous tension.

19. Toujours tenir fermement le pistolet et le tube rallonge lorsqu'on démarre et qu'on utilise la machine.

20. Éliminer toute pression résiduelle en appuyant sur la gâchette jusqu'à l'arrêt complet de tout écoulement d'eau de l'embout.

**⚠ MISE EN GARDE :** Porter un dispositif de protection personnel anti-bruit approprié durant l'utilisation. Sous certaines conditions et pendant toute la durée de l'utilisation, le bruit émanant de ce produit pourrait contribuer à la perte d'audition.

**⚠ AVERTISSEMENT :** Ce produit contient des produits chimiques, y compris le plomb, qui, dans l'État de la Californie, sont reconnus comme étant susceptibles de causer le cancer, d'entraîner des malformations congénitales ou d'être nocifs pour le système reproductif.

**Se laver les mains après chaque utilisation.**

## DIRECTIVES CONCERNANT LA MISE À LA TERRE

Le nettoyeur à pression doit être mis à la terre. En cas de défaillance ou de bris, la mise à la terre procure un chemin de faible résistance au courant afin de réduire les risques de choc électrique. Cet outil est doté d'un cordon à conducteur et broche de terre; on doit en raccorder la fiche dans une prise murale appropriée, bien installée et mise à la terre, conformément à tous les codes et règlements en vigueur.

**⚠ DANGER :** Si le conducteur de terre n'est pas correctement relié à l'appareil, on

s'expose à des risques d'électrocution. Communiquer avec un technicien ou un électricien qualifié en cas de doute quant à la directive de mise à la terre. On ne doit jamais tenter de modifier cette fiche; si elle ne s'adapte pas à la prise murale, on doit faire appel à un électricien qualifié pour l'installation de la prise appropriée. Ne jamais utiliser d'adaptateur quelconque avec ce produit.

**⚠ AVERTISSEMENT :** Afin de réduire les risques d'électrocution, s'assurer que tous les raccords sont secs et dégagés du sol. Ne pas toucher à la fiche avec les mains mouillées.

## DISJONCTEUR DE FUITE À LA TERRE (GFCI)

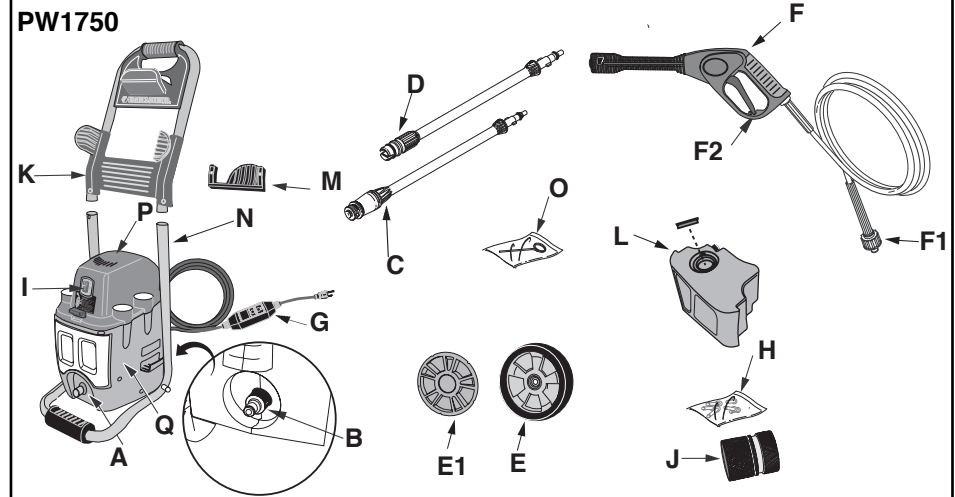
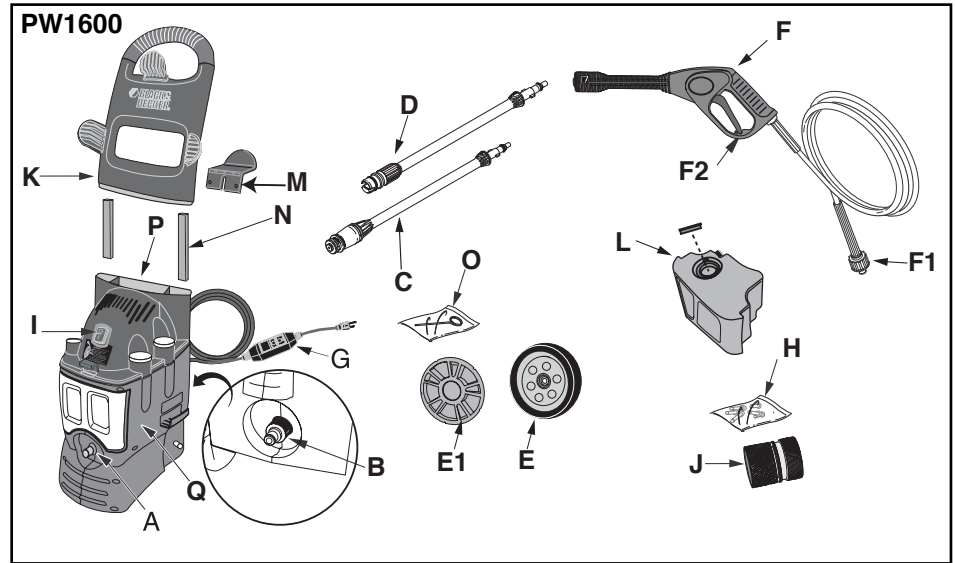
Ce nettoyeur à pression est pourvu d'un Disjoncteur de fuites à la terre (DDFT) intégré au cordon d'alimentation. Ce dispositif fournit une protection supplémentaire contre tout risque de choc électrique. S'il est nécessaire de changer la fiche ou le cordon, n'utiliser que des pièces de rechange identiques offrant une protection DDFT. Se reporter en **Figure 13** pour la procédure de test.

**⚠ AVERTISSEMENT :** Brancher le cordon directement dans la prise de courant; ne pas utiliser de rallonge. L'utilisation d'une rallonge aurait pour effet de neutraliser le disjoncteur de fuite à la terre intégré à la fiche du cordon d'alimentation, ce qui entraînerait des risques de choc électrique.

• L'étiquette apposée sur l'outil peut afficher les symboles suivants :

- V .....volts
- A .....ampères
- Hz .....hertz
- W .....watts
- min .....minutes
- ~ .....courant alternatif
- .....courant continu
- no .....fonctionnement à vide
- ☐ .....Construction de classe II
- .../min.....tours ou mouvements alternatifs par minute
- ⊕ .....borne de terre
- ⚠ .....symbole d'avertissement

## CONSERVER CES DIRECTIVES



- A. Sortie d'eau haute pression (SORTIE)
- B. Raccord rapide de pompe
- C. Turbo buse à haute pression
- D. Buse soufflante réglable
- E. Roues
- E1. Enjoliveur
- F. Pistolet
- F1. Raccord de tuyau à haute pression
- F2. Cran de sécurité
- G. Cordon d'alimentation avec DDFT
- H. Sac pour quincaillerie
- I. Interrupteur Marche/Arrêt
- J. Raccord rapide de tuyau d'arrosage
- K. Poignée
- L. Réservoir à détergent amovible avec capuchon
- M. Crochet supérieur du rembobineur de cordon
- N. Tubes-supports métalliques
- O. Outil de nettoyage du pistolet
- P. Boîtier noir
- Q. Boîtier principal orange

# ASSEMBLAGE

## ASSEMBLAGE DU PW1600 :

### Outils nécessaires :

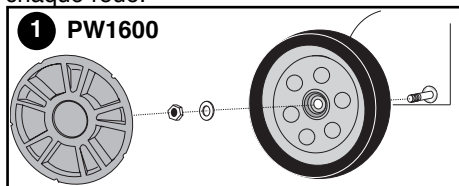
Tournevis Philips  
Clé réglable

### Contenu du sac pour quincaillerie :

- 2 rondelles plates
- 2 écrous de blocage hexagonaux
- 6 vis de 15,9 mm (5/8 po)

### Assemblage des roues - PW1600

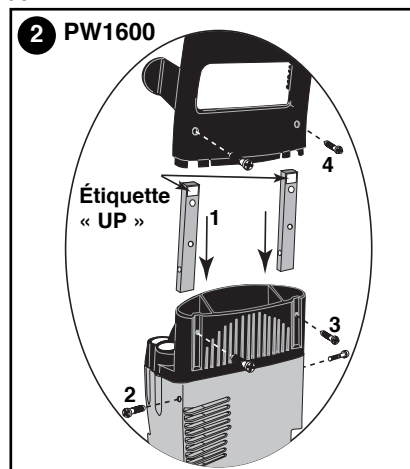
Retirer et jeter les 2 caches de protection en plastique des axes. Placer une roue (E), une rondelle plate et un écrou de blocage hexagonal de chaque côté de l'axe comme illustré avec la surface lisse de la roue pourvue seulement de trous circulaires dirigée vers l'extérieur (le côté de la roue pourvu d'embossures est dirigé vers l'intérieur, vers le châssis du nettoyeur à pression). À l'aide d'une clé, serrer l'écrou fermement. Aligner un enjoliveur (E1) sur chaque roue comme illustré puis appuyer sur son centre pour l'enclencher à fond sur chaque roue.



### Assemblage de la poignée - PW1600

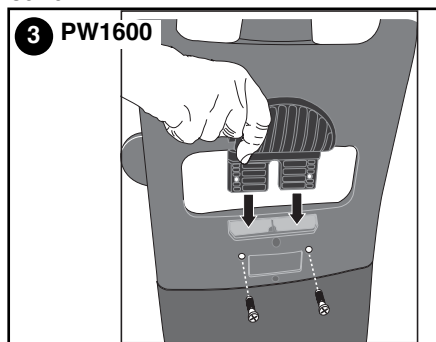
- 1.) Avec les bouts rectangulaires du tube en acier (N) dirigés vers le haut suivant l'inscription, pousser fermement et à fond les tubes dans les trous rectangulaires du boîtier noir (P).
- 2.) Visser à fond l'une des vis de 15,9 mm (5/8 po) dans chacun des trous de chaque côté du boîtier orange (Q) comme illustré et dans le trou taraudé du tube.
- 3.) Visser ensuite à fond l'une des vis de 15,9 mm (5/8 po) dans chacun des trous à l'arrière de la partie supérieure du boîtier noir (P) comme illustré et dans le trou taraudé du tube.
- 4.) Aligner maintenant les trous rectangulaires sur la partie inférieure de la poignée (K) sur les tubes, en appuyant sur la poignée jusqu'à ce que le bord inférieur s'encastre complètement dans le boîtier noir.

(P). Pour terminer l'assemblage, visser à fond l'une des vis de 15,9 mm (5/8 po) dans chacun des trous à l'arrière de la poignée (K) comme illustré puis dans le tube.



### Assemblage du crochet supérieur du rembobineur de cordon - PW1600

Insérer le crochet supérieur (M) du rembobineur de cordon dans l'orifice arrière de la poignée (K), en poussant à fond fermement. Serrer à fond deux vis autotaraudeuses de 38,1 mm (1 1/2 po) (incluses dans le sachet du rembobineur de cordon) au travers des trous de la poignée dans le crochet du rembobineur de cordon comme illustré. Attention à **NE PAS** trop serrer.



## ASSEMBLAGE DU PW1750 :

### Outils nécessaires :

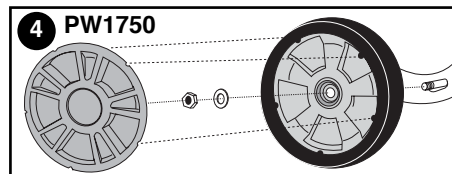
Tournevis Philips  
Clé réglable

### Contenu du sac pour quincaillerie :

- 2 rondelles plates
- 2 écrous de blocage hexagonaux

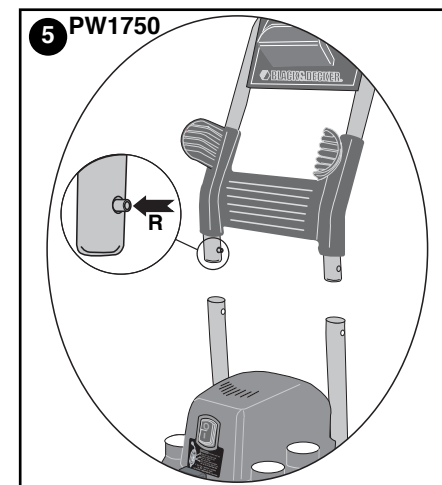
### Assemblage des roues - PW1750

Retirer et jeter les 2 caches de protection en plastique des axes. Installer les roues (E) (avec les 5 embossures carrées dirigées vers l'extérieur comme illustré ci-dessous) au bout de l'axe fileté, mettre ensuite une rondelle plate, et un écrou de blocage hexagonal. À l'aide d'une clé, serrer l'écrou fermement. Aligner les 5 encoches de l'enjoliveur (E1) sur les embossures de la roue comme illustré puis appuyer sur le centre de l'enjoliveur pour l'enclencher à fond sur la roue.



### Assemblage de la poignée - PW1750

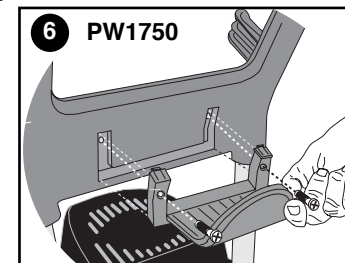
Aligner et introduire les tubes de poignée (K) dans les tubes inférieurs (N) comme illustré. Pour terminer, appuyer sur les boutons à ressort (R) de la poignée (K) tout en poussant les tubes de poignée complètement dans les tubes inférieurs (N) jusqu'à ce que les boutons à ressort s'enclenchent dans les trous du tube inférieur (N).



### Assemblage du crochet supérieur du rembobineur de cordon - PW1750

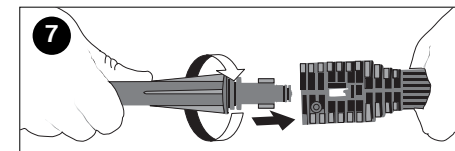
Insérer le crochet supérieur (M) du rembobineur de cordon dans les orifices arrière de la poignée (K) en poussant vers le haut pour l'enclencher à fond. Serrer à fond deux vis autotaraudeuses de 13 mm

(1/2 po) (incluses dans le sachet du rembobineur de cordon) au travers des trous du rembobineur de cordon dans la poignée comme illustré. Attention à **NE PAS** trop serrer.

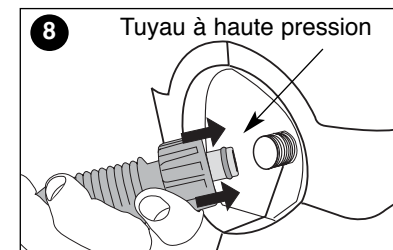


## CONFIGURATION / REGLAGE

**Figure 7** - Insérer la buse soufflante (D) dans la buse du pistolet (F) en appuyant tout en tournant jusqu'à ce que les deux parties soient verrouillées ensemble comme illustré en **Figure 7**.

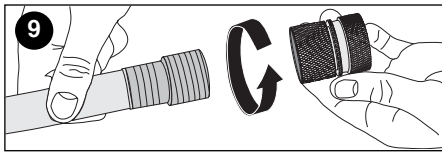


**Figure 8** - Connecter le tuyau à haute pression (F1) à la (SORTIE) d'eau (A) sur l'appareil en insérant tout d'abord le bout en laiton du tuyau dans la sortie fileté à l'avant de l'appareil, puis en serrant le filetage du raccord de tuyau.

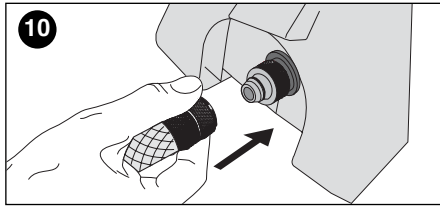


**Figure 9** - Connecter le raccord rapide de tuyau d'arrosage (J) au tuyau d'arrosage comme illustré en **Figure 9**. La température d'arrivée d'eau NE doit PAS excéder 50°C (122°F). La pression d'eau doit être entre 20 et 80 psi.

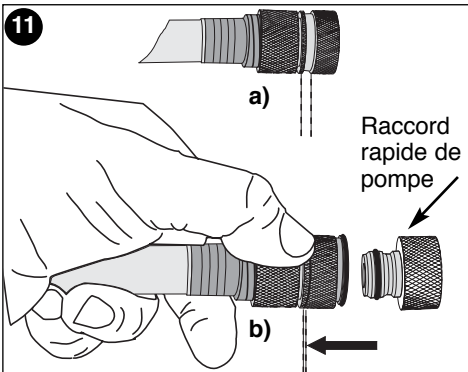
⚠ **MISE EN GARDE** : Le nettoyeur à pression ne doit être utilisé qu'avec de l'eau claire. L'utilisation d'eau non filtrée ou de produits chimiques corrosifs endommagera le nettoyeur à pression.



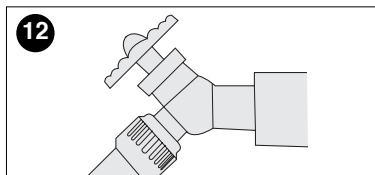
**Figure 10** - Une fois le raccord rapide (J) rattaché au tuyau d'arrosage, repousser son anneau externe puis pousser fermement sur le raccord rapide de pompe concourant (B), (déjà rattaché à l'arrivée du nettoyeur à pression), relâcher ensuite l'anneau pour l'encaster.



**IMPORTANT** : L'anneau externe en laiton du raccord rapide de tuyau d'arrosage DOIT être repoussé à fond comme illustré en **Figure 11b** avant de le pousser sur le raccord rapide de la pompe. (B) L'eau ne pourra traverser la pompe si ces 2 raccords ne sont pas intimement assemblés.



**Figure 12** - Connecter l'autre bout du tuyau d'arrosage à la source d'eau froide puis ouvrir le robinet à fond. Ce nettoyeur à pression n'a pas été conçu pour pomper de l'eau chaude. Ne jamais le connecter à une arrivée d'eau chaude car cela réduirait considérablement la durée de vie de la pompe.



20

## FONCTIONNEMENT

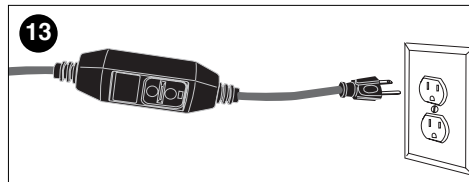
**REMARQUE** : Avant de nettoyer toute surface, nettoyer un endroit caché pour tester la forme de jet et la distance pour un rendement optimal. Si les surfaces peintes pèlent ou s'écaillent, prendre des précautions supplémentaires car le nettoyeur à pression pourrait enlever la peinture qui se décolle.

Ce nettoyeur à pression est équipé d'un système d'arrêt automatique.

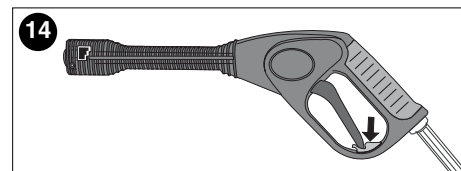
Lorsque la gâchette est **relâchée**, la pression dynamique arrête automatiquement le moteur.

Lorsqu'on **appuie** sur la gâchette, la baisse de pression interne met en marche automatiquement le moteur et la pression du jet est restaurée très rapidement.

**Figure 13** - S'assurer que l'interrupteur (I) est en position « Arrêt » avant de brancher l'appareil. Appuyer sur la partie de l'interrupteur marquée « 0 » pour s'assurer que l'appareil est arrêté. Brancher le disjoncteur de fuites à la terre (DDFT) (G) sur le secteur. Le voyant rouge devrait s'allumer. **TESTER AVANT CHAQUE UTILISATION.** Appuyer sur le bouton «TEST». Le voyant rouge devrait s'éteindre. Appuyer sur le bouton «RESET» (Réinitialiser) pour utiliser l'appareil. Ne pas utiliser l'appareil si ce test ne réussit pas.

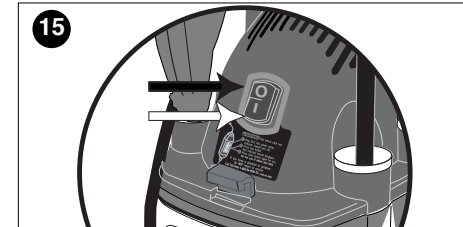


**Figure 14** - Avant chaque utilisation, s'assurer que le cran de sécurité est bien relâché en le poussant comme illustré, puis en appuyant sur la gâchette quelques secondes pour permettre à l'air de s'échapper pour éliminer toute pression résiduelle dans les tuyaux.



**Figure 15** - Mettre le nettoyeur à pression en marche en appuyant sur la partie inférieure de l'interrupteur (I) marquée d'un « 1 ». L'appareil fonctionnera quelques secondes pour accumuler de la pression, puis s'arrêtera. Il fonctionnera sur demande en appuyant sur la gâchette du pistolet. Arrêter le nettoyeur à pression en appuyant sur la partie supérieure de l'interrupteur marquée d'un « 0 ».

**LE NETTOYEUR À PRESSION EST MAINTENANT PRÊT À L'UTILISATION - VEUILLEZ REVOIR LES ÉLÉMENTS SUIVANTS RELATIFS À L'UTILISATION DES ACCESSOIRES.**

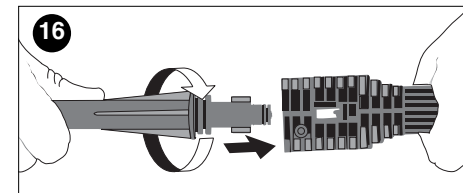


## ACCESSOIRES

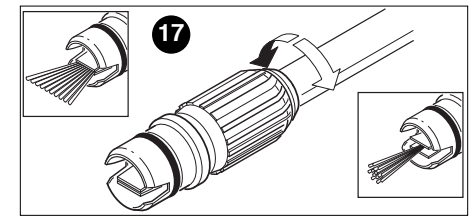
**▲ MISE EN GARDE** : Avant tout changement d'accessoire, réglage de pression, ou toute utilisation du système à détergent, arrêter l'appareil, tirer sur la gâchette pour éliminer la pression, et activer le cran de sécurité.

### • BUSE SOUFLANTE RÉGLABLE

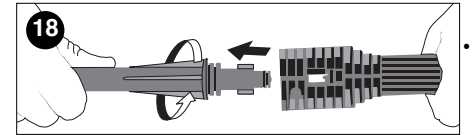
1.) Insérer la buse soufflante (D) dans la buse du pistolet (F) en appuyant tout en tournant jusqu'à ce que les deux parties soient verrouillées ensemble comme illustré en **Figure 16**.



2.) Pour obtenir un maximum de pression, faire tourner l'embout de la buse soufflante vers la droite comme illustré en **Figure 17**. Le jet effilé permet de nettoyer en profondeur une surface restreinte. Pour un jet plus large faire tourner l'embout de la buse soufflante vers la gauche. Le jet plus large réduit les risques d'endommager certaines surfaces et permet de nettoyer de larges surfaces rapidement.

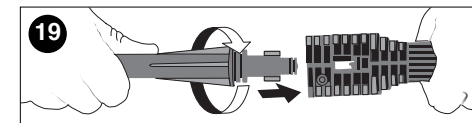


3.) Pour la retirer, pousser la buse soufflante dans la buse du pistolet puis tourner comme illustré en **Figure 18**.

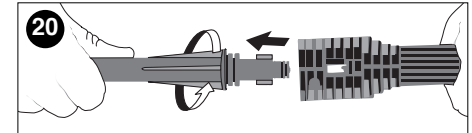


### TURBO EMBOUT

1.) Insérer l'embout de la turbo buse (C) dans la buse du pistolet (F) en appuyant tout en tournant jusqu'à ce que les deux parties soient verrouillées ensemble comme illustré en **Figure 19**.



3.) Pour la retirer, pousser la turbo buse dans la buse du pistolet puis tourner comme illustré en **Figure 20**.

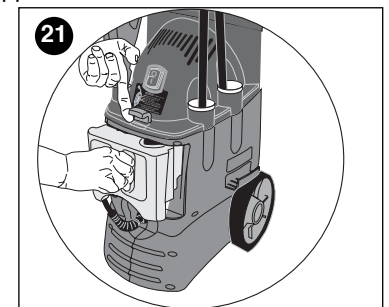


### • DISTRIBUTEUR DE DÉTERGENT

Suivre les directions fournies par le fabricant du détergent pour déterminer le degré de concentration de savon ou détergent.

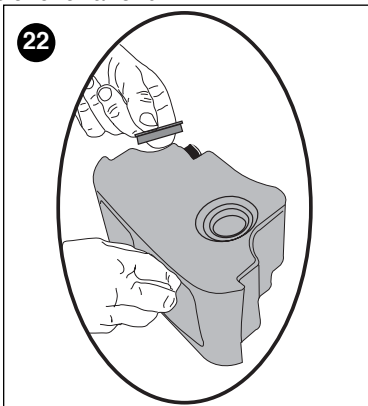
Pour utiliser le distributeur de détergent :

1.) Tirer la languette vers le haut comme illustré en **Figure 21** et retirer le réservoir de l'appareil.



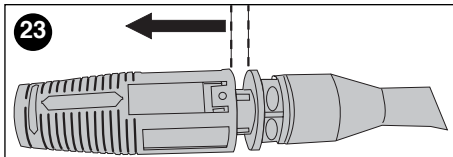
21

2.) Retirer le capuchon comme illustré en **Figure 22**, remplir le réservoir avec le détergent puis remettre le capuchon. Pousser le réservoir dans l'appareil pour l'enclencher à fond.



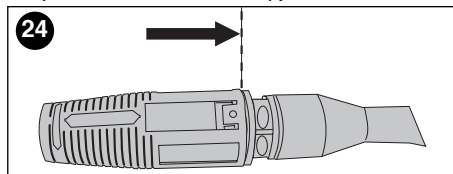
3.) Insérer la buse soufflante réglable dans le pistolet. Le distributeur de détergent ne fonctionnera qu'avec la buse soufflante réglable.

4.) Avec l'interrupteur en position « Arrêt » (O), tirer l'embout de la buse soufflante réglable comme illustré en **Figure 23** pour amorcer le détergent. Mettre l'interrupteur en position « Marche » (I),



5.) Administrer la quantité de détergent recommandée par le fabricant.

6.) Pour rincer, mettre l'interrupteur en position « Arrêt » (O) avant de pousser sur l'embout de la buse soufflante comme illustré en **Figure 24**. Cela augmentera la pression d'eau et arrêtera automatiquement le flot de détergent. Remettre l'interrupteur en position « Marche » (I).



7.) Rincer la surface de tout détergent.

8.) Une fois l'utilisation du dispensateur de détergent terminée ou pour changer de type de détergent, s'assurer de bien rincer

l'ensemble du système. Pour cela, retirer le réservoir pour en vider tout résidu de détergent, puis le rincer plusieurs fois à l'eau claire. Remplir ensuite le réservoir d'eau claire et le réinstaller sur le nettoyeur à pression. En laissant l'embout en position de prise de détergent dirigé vers l'extérieur comme illustré en **Figure 23**, appuyer 1 minute sur le pistolet jusqu'à ce que seule de l'eau claire soit projetée. Retirer le réservoir et en vider tout résidu d'eau.

**REMARQUE :** Le fait de ne pas suivre cette procédure de rinçage aura pour conséquence de boucher le dispensateur de détergent.

**REMARQUE : NE JAMAIS UTILISER :**

- Eau de Javel, produit à base de chlore ou tout autre produit chimique corrosif.
- Liquides à base de solvants (ex. : diluants, essence, huiles)
- Produits à base de triphosphate de sodium
- Produits ammoniacés
- Produits à base d'acide

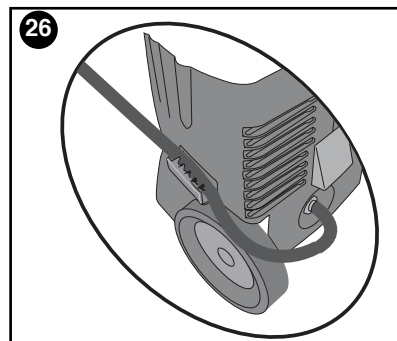
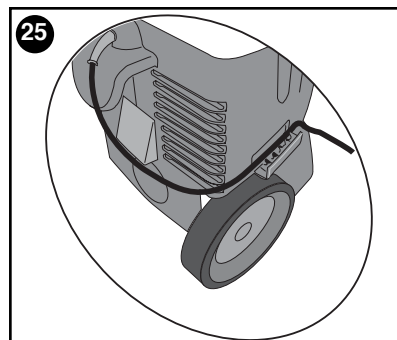
Ces produits chimiques endommageront l'appareil ainsi que les surfaces nettoyées.

## PREPARATION DES SURFACES

Avant de commencer tout projet de nettoyage, il est important d'inspecter les lieux de travail pour prévenir tout accident potentiel. Retirer les objets sur lesquels on pourrait trébucher comme jouets ou meubles de jardin. S'assurer que porte et fenêtre sont bien fermées. S'assurer aussi que plantes et arbres sur la périphérie sont protégés par une toile de protection pour éviter qu'ils soient endommagés par des éclaboussures.

## DEPLACEMENT DE L'APPAREIL

- 1.) Pour déplacer l'appareil pendant le nettoyage, arrêter tout d'abord ce dernier.
- 2.) Disposer cordon d'alimentation et tuyau d'arrosage dans les serre-câbles comme illustré en **Figure 25 et 26**.

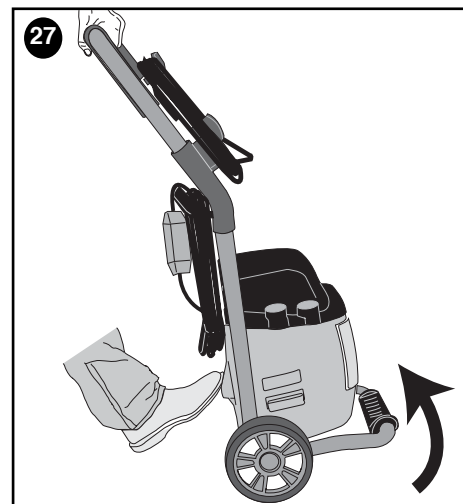


3.) Attraper la poignée supérieure et appliquer le pied contre la base de l'appareil comme illustré en **Figure 27** puis incliner l'appareil vers l'arrière.

4.) Tirer l'appareil jusqu'à l'endroit désiré.

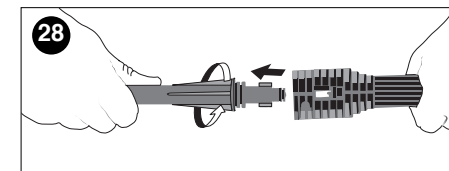
5.) Retirer cordon d'alimentation et tuyau d'arrosage des serre-câbles.

6.) Remettre l'appareil en marche.

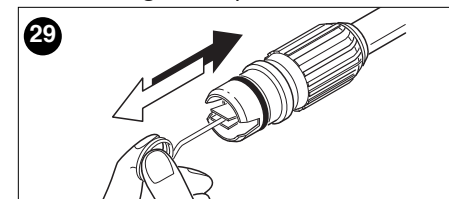


## CONSEILS GENERAUX DE NETTOYAGE

• Retirer la buse soufflante (D) de la buse du pistolet (F) comme illustré en **Figure 28**.



• Nettoyer l'embout à l'aide de l'outil de nettoyage (O). Éliminer toute saleté de l'embout de la buse soufflante comme illustré en **Figure 29** puis rincer.



• Pour tout projet de nettoyage tels terrasses ou patios de brique, limiter la surface de travail à environ 25 pieds carré à la fois.

• Effectuer un pré rinçage de la surface à l'eau claire.

• N'utiliser que des détergents formulés pour des nettoyeurs à pression.

• Toujours tester le détergent sur un endroit caché avant usage.

• Commencer par un jet large avec la buse soufflante puis régler la pression à la forme de jet désirée.

• Le meilleur angle de jet par rapport à une surface à nettoyer est de 45 degrés. Le fait d'arroser directement a tendance à augmenter l'adhésion des particules de saleté à la surface. Lors du travail sur des surfaces verticales, il est conseillé d'appliquer le détergent du bas vers le haut pour prévenir toute coulée de détergent et laisser des traces.

## ARRET / RANGEMENT

1. Bien s'assurer que le réservoir et le dispensateur de détergent ont été rincés à fond comme décrit en **page 21**, et que le réservoir vide à été réinstallé sur l'appareil. Pour vider le dispensateur de détergent de tout résidu, mettre l'interrupteur marche/arrêt en position « ON » (I), puis avec l'embout en position de prise de

détergent dirigé vers l'extérieur, appuyer sur le pistolet 30 secondes. L'eau de la pompe continuera d'être projetée à basse pression après 30 secondes, mais le dispensateur de détergent sera purgé.

2. Mettre l'interrupteur en position d'arrêt (O) puis débrancher le cordon du secteur.

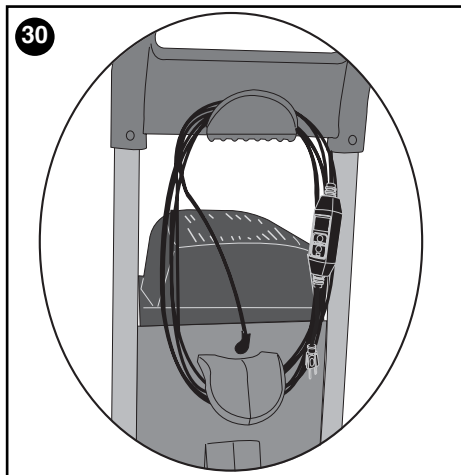
3. Arrêter le robinet d'eau.

4. Déconnecter le tuyau d'arrosage de l'arrivée d'eau.

5. Une fois le tuyau d'arrosage déconnecté de l'appareil, mettre ce dernier en marche quelques minutes et appuyer sur le pistolet pour éliminer tout résidu d'eau. Arrêter l'appareil immédiatement.

6. Vider complètement le réservoir de tout détergent.

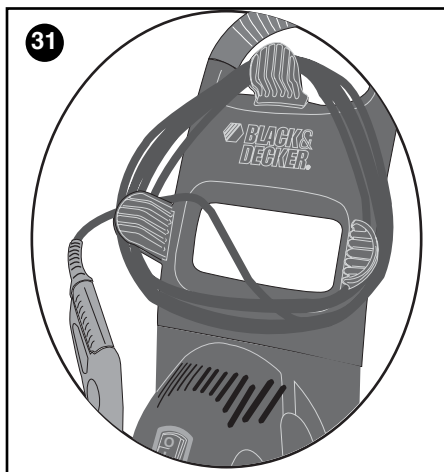
7. Enrouler le cordon d'alimentation à l'arrière de l'appareil, en accrochant la fiche à la corde comme illustré en **Figure 30**.



8. Déconnecter le tuyau à haute pression de la sortie à haute pression et vider le tuyau en appuyant sur la gâchette du pistolet.

9. Mettre le cran de sécurité.

10. Enrouler le tuyau à haute pression à l'avant de l'appareil comme illustré en **Figure 31**.



**IMPORTANT** : Ranger le nettoyeur à pression à l'intérieur, à l'abri du gel pour éviter d'endommager sérieusement la pompe.

## ENTRETIEN

Nettoyer l'embout à l'aide de l'outil fourni à cet effet. Éliminer toute saleté de l'embout de la buse soufflante comme illustré en **Figure 29** puis rincer.

Nettoyer l'outil à l'aide d'un savon doux et d'un linge humide.

**MISE EN GARDE** : Ne jamais utiliser le nettoyeur à pression pour nettoyer ce dernier.

**IMPORTANT**: pour assurer la SÉCURITÉ et la FIABILITÉ de ce produit, toutes les opérations de réparation, d'entretien et de réglage doivent être effectuées dans un centre de service autorisé ou par du personnel qualifié; on ne doit utiliser que des pièces de rechange identiques.

## ACCESSOIRES

**AVERTISSEMENT** : L'usage de tout accessoire non recommandé avec ce nettoyeur à pression peut présenter un danger.

## INFORMATION SUR LES SERVICES

**Ne pas retourner cet appareil chez votre détaillant.** Black & Decker dispose d'un réseau complet composé de centres de service et de centres autorisés situés partout en Amérique du Nord. Tous les centres de service Black & Decker sont dotés de personnel qualifié en matière d'outillage électrique; ils sont donc en mesure d'offrir à leur clientèle un service efficace et fiable.

Pour obtenir un conseil technique ou une pièce d'origine ou pour faire réparer un outil, on peut communiquer avec le centre Black & Decker le plus près.

Pour obtenir le numéro de téléphone, consulter les pages jaunes sous la rubrique «Outils - électriques» ou composer le **1 800 544-6986**.

## GARANTIE DE DEUX ANS POUR USAGE RESIDENTIEL

Black & Decker (É.U.) Inc., garantit ce produit pour une période de deux ans contre tout défaut de matériel ou de fabrication. Le produit défectueux sera réparé ou remplacé gratuitement. Ne pas retourner cet appareil chez votre détaillant.

Rapporter ou envoyer l'appareil (prépayé) à un centre Black & Decker ou à un centre de service autorisé aux fins de réparation ou de remplacement, selon notre choix. Une preuve d'achat peut être requise. Les centres Black & Decker et les centres de service autorisés sont répertoriés dans les pages jaunes sous la rubrique «Outils - électriques».

Cette garantie ne s'applique pas aux accessoires. Elle confère des droits légaux particuliers à l'acheteur, mais celui-ci pourrait aussi bénéficier d'autres droits variant d'un état à l'autre.

Toute question doit être adressée au gérant du centre Black & Decker le plus près. Ce produit n'est pas destiné à un usage commercial.

## REPLACEMENT GRATUIT DE L'ÉTIQUETTE D'AVERTISSEMENT :

En cas de perte ou d'endommagement des étiquettes d'avertissement, composer le **1 800 544-6986** afin d'en obtenir de nouvelles sans frais.

## FICHE TECHNIQUE

Pression d'utilisation – 1250/1300psi

Pression maximum\* - 1600/1700psi

1. Débit d'eau maximum\*  
– 6,06 l/min (1,6gpm)
2. Spécifications électriques  
– 120V, 15amp, 60Hz
3. Cordon d'alimentation – 10m67 (35pi)
4. Tuyau à haute pression – 7m62 (25 pi)
5. Intensité minimale – 15 amp
6. Pression d'arrivée d'eau – 20 à 80 psi
7. Arrivée d'eau – Eau froide seulement
8. Débit d'injection de produits chimiques  
– 0,38 l/min (0,1 gpm)

\*Débit d'eau et pression maximum déterminés conformément aux standards PWMA, PW101.

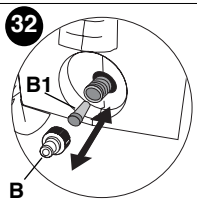
Imported by / Importé par  
Black & Decker Canada Inc.  
100 Central Ave.  
Brockville (Ontario) K6V 5W6

Voir la rubrique "Outils électriques"  
des Pages Jaunes  
pour le service et les ventes.



## GUIDE DE DÉPANNAGE

Symptôme	Cause	Solution
Le moteur refuse de démarrer.	L'appareil n'est pas branché.	Brancher le cordon d'alimentation.
	L'interrupteur est en position d'arrêt.	Mettre l'interrupteur en position « Marche ».
	La gâchette n'est pas poussée.	Appuyer sur la gâchette du pistolet avec l'interrupteur en position « Marche ».
	Le DDFT a sauté.	Appuyer sur le bouton de réinitialisation sur le dispositif DDFT.
L'appareil ne fournit pas de haute pression.	Le robinet d'eau n'est pas ouvert à fond.	Ouvrir le robinet d'eau à fond.
	Le filtre d'arrivée d'eau est bouché.	Retirer le filtre (B1) et le rincer pour le nettoyer. <b>Fig. 32</b>
	L'embout est usé.	Contactez les services clientèle B&D au <b>1-800-544-6986</b> .
	La pompe aspire de l'air.	Vérifier que tuyaux et raccords sont étanches à l'air. Arrêter l'appareil et purger la pompe en appuyant sur la gâchette du pistolet jusqu'à ce qu'un flot régulier d'eau sorte de l'embout.
La source d'eau est restreinte.	Vérifier l'absence de tout enchevêtrement, fuite ou blocage	
La pression de sortie est irrégulière.	Arrivée d'eau insuffisante.	Ouvrir l'arrivée d'eau à fond. Vérifier l'absence de toute fuite ou enchevêtrement sur le tuyau d'arrosage.
	La pompe aspire de l'air.	Vérifier que tuyaux et raccords sont étanches à l'air. Arrêter l'appareil et purger la pompe en appuyant sur la gâchette du pistolet jusqu'à ce qu'un flot régulier d'eau sorte de l'embout.
	Le filtre d'arrivée d'eau est bouché.	Retirer le filtre (B1) et le rincer pour le nettoyer. <b>Fig. 32</b>
	L'embout est bouché.	Retirer tout débris comme illustré en <b>Figure 29</b> avec l'outil fourni à cet effet.
Aucun détergent.	L'embout de la buse soufflante réglable n'est pas tiré en avant.	Tirer l'embout vers l'avant.
	La turbo buse est installée.	Retirer la turbo buse. Installer la buse soufflante réglable et tirer son embout en avant.
	Le réservoir de détergent est vide.	Rajouter du détergent.
	Le détergent est trop épais.	Utiliser un détergent recommandé pour les nettoyeurs à pression.



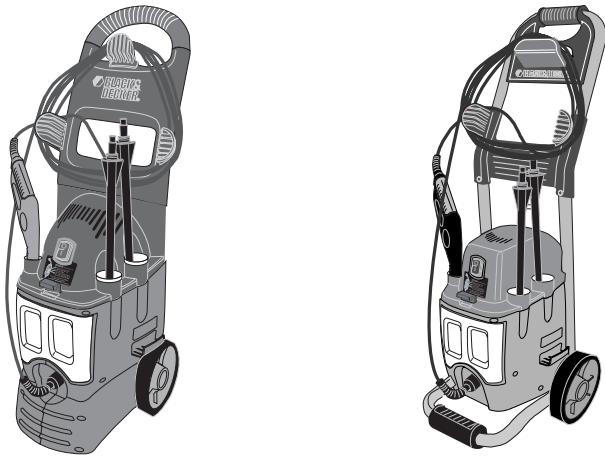
## GUIDE DE DEPANNAGE

Symptôme	Cause	Solution
Aucun détergent	Le filtre sur le tube d'aspiration de détergent est bouché.	Remplir le réservoir d'eau tiède et laisser le filtre tremper. Vider le réservoir puis le remplir d'eau claire plusieurs fois pour rincer le filtre.
	L'embout est bouché.	Retirer tout débris comme illustré en <b>Figure 29</b> avec l'outil fourni à cet effet.
Fuite au niveau de la connexion au tuyau d'arrosage.	Raccords lâches. Joint caoutchouc manquant ou usé.	Serrer les raccords. Changer le joint du raccord de tuyau.
Fuite au niveau de la buse d'arrosage ou de l'allonge.	La buse d'arrosage n'est pas rattachée correctement.	Insérer la buse d'arrosage dans la buse d'allonge. Pousser en tournant pour verrouiller la buse d'arrosage en place.
	Joint torique endommagé.	Contactez les services clientèle B&D au <b>1-800-544-6986</b> .
La pompe est excessivement bruyante.	La pompe aspire de l'air.	Vérifier que tuyaux et raccords sont étanches à l'air. Arrêter l'appareil et purger la pompe en appuyant sur la gâchette du pistolet jusqu'à ce qu'un flot régulier d'eau sorte de l'embout.
Fuite d'eau à la pompe.	Raccords lâches. Les joints d'étanchéité sont endommagés ou usés.	Vérifier que les raccords sont bien serrés. Contacter les services clientèle B&D au <b>1-800-544-6986</b> .
Fuite d'huile.	Les joints d'étanchéité d'huile sont endommagés ou usés.	Contactez les services clientèle B&D au <b>1-800-544-6986</b> .
Le moteur ronronne puis s'arrête de fonctionner.	Le voltage minimum n'est pas respecté.	Vérifier que <b>SEUL</b> le nettoyeur à pression fonctionne sur ce circuit.
	Il reste de la pression résiduelle dans le système.	Arrêter l'appareil, appuyer sur la gâchette pour éliminer toute pression, puis remettre l'appareil en marche.
	Perte de voltage causée par une rallonge.	Ne pas utiliser de rallonge avec cet appareil. Le brancher directement sur le secteur.
Le nettoyeur n'a pas été utilisé pendant une période de temps prolongée.		Contactez les services clientèle B&D au <b>1-800-544-6986</b> .

# Lavador a presión compacto

Número de catálogo PW1600, PW1750

## MANUAL DE INSTRUCCIONES



ANTES DE DEVOLVER ESTE PRODUCTO  
POR CUALQUIER MOTIVO POR FAVOR LLAME  
(55)5326-7100

### INSTRUCCIONES DE SEGURIDAD IMPORTANTES

**⚠ ADVERTENCIA:** Tome siempre las precauciones de rigor al usar este producto, incluyendo lo siguiente:

1. Lea todas las instrucciones antes de usar el producto.
2. A fin de reducir el riesgo de lesiones, se debe supervisar el producto muy atentamente cuando se utiliza cercano a los niños.
3. Sepa cómo parar el producto y purgar la presión rápidamente. Familiarícese muy bien con los controles.
4. Manténgase alerta – esté atento a lo que está haciendo.
5. No use este producto cuando usted está fatigado o bajo la influencia del alcohol o drogas.
6. Mantenga el área de operación despejada de personas.
7. No se incline demasiado. Conserve siempre los pies bien apoyados, al igual que su equilibrio.
8. Siga las instrucciones de mantenimiento especificados en el manual.
9. Este producto viene con un interruptor accionado por corriente de pérdida a tierra (GFCI – Ground Fault Circuit Interrupter) integrado en el enchufe del cable de corriente. De necesitarse reemplazar el enchufe o cable, use únicamente piezas de repuesto idénticas.
10. **⚠ ADVERTENCIA:** Riesgo de inyección o lesión. No dirija el chorro de descarga a las personas.

### REGLAS GENERALES DE SEGURIDAD

**⚠ ADVERTENCIA:** Tome siempre las precauciones de rigor al usar este producto, incluyendo lo siguiente

1. Siga siempre las recomendaciones para usar correctamente los detergentes que se encuentran en la etiqueta del fabricante. Proteja siempre los ojos, la piel y el sistema respiratorio cuando usa el detergente.
2. Nunca trate de parar o desviar escapes de agua con una parte de su cuerpo.
3. No ponga nunca la mano o sus dedos sobre la punta del rociador mientras opera la unidad.

4. Siempre use gafas de seguridad, protección auditiva y respiratoria así como vestimenta protectora cuando utiliza el producto o le hace mantenimiento.
5. Mantenga siempre el cerrojo de seguridad del gatillo en la posición de seguridad al parar el rociado, aun cuando esto sea por algunos momentos.
6. Manténgase alejado de la boquilla de rociado. Nunca dirija el chorro de alta presión a otra persona, algún animal o usted mismo.
7. Usar sólo con accesorios cuya potencia nominal mínima es de 140 barías. No use presión que exceda la presión de operación de cualquiera de las piezas (mangueras, accesorios, etc.) integrantes del sistema presurizado. No use nunca con accesorios o componentes de otro fabricante.
8. Nunca rocíe líquidos inflamables ni use el lavador a presión en áreas que contengan líquidos, gases o polvos inflamables.
9. Nunca use esta máquina en atmósferas explosivas o cerca de ellas.
10. No rocíe aparatos y cableados eléctricos.
11. Nunca desconecte la manguera de descarga de alta presión de la máquina mientras el sistema está presurizado. Para despresurizar la máquina, apague el suministro de corriente y agua, presione luego el gatillo 2 ó 3 veces.
12. Nunca mantenga el mecanismo del gatillo de la pistola permanentemente enganchado.
13. Nunca opere la máquina sin todos los componentes correctamente conectados a la máquina (manija, unidad de pistola/varilla, boquilla, etc.)
14. Abra siempre el suministro de agua antes de activar el lavador a presión, a menos que lo está drenando para guardarlo. Dejar que la bomba opere en seco puede causar daño grave.
15. No opere el lavador a presión sin el filtro de entrada de agua. Mantenga el filtro libre de residuos y sedimentos.
16. Nunca opere el lavador a presión con piezas rotas o faltantes. Inspeccione el equipo regularmente y repare o reemplace toda parte desgastada o dañada inmediatamente.

17. Use las boquillas, partes y accesorios suministrados con esta máquina solamente.

18. Nunca deje la varilla desatendida mientras la máquina está prendida o funcionando.

19. Siempre sujete la pistola y la varilla firmemente cuando pone en marcha y opere la máquina.

20. Descargue la presión residual apretando el gatillo hasta que el agua ya no sale más de la boquilla.

**⚠ PRECAUCIÓN** Use protección auditiva adecuada al operar la máquina. Dependiendo de ciertas condiciones y duración de la operación, el ruido de este producto podría contribuir a la pérdida de la audición.

**⚠ ADVERTENCIA:** La utilización de este producto lo expondrá a sustancias químicas que en el Estado de California se consideran causantes de cáncer, defectos congénitos y otros daños reproductivos.

**Lávese las manos después de manipularlo.**

## INSTRUCCIONES DE PUESTA A TIERRA

Este producto debe estar puesto a tierra. Si el producto funciona mal eléctricamente, o falla, la puesta a tierra provee una vía de resistencia baja de la corriente eléctrica que reduce el riesgo de electrochoque. Este producto viene equipado con un cable con conducto a tierra del equipo y un enchufe ídem. El enchufe debe enchufarse a un tomacorriente adecuado, correctamente instalado y puesto a tierra de acuerdo con los códigos y ordenanzas locales.

**⚠ PELIGRO:** Una conexión incorrecta del conducto de puesta a tierra del equipo puede resultar en riesgo de electrocución. Contacte a un electricista o personal de servicio competente si tiene dudas de si el tomacorriente está debidamente puesto a tierra. No modifique el enchufe suministrado con el producto – si no encaja en el tomacorriente, instale un tomacorriente adecuado por un electricista competente. No use ningún tipo de adaptador con este producto.

**⚠ ADVERTENCIA:** A fin de reducir el riesgo de electrocución, mantenga todas las conexiones secas y por encima de la

tierra. No toque el enchufe con las manos mojadas.

## PROTECCIÓN DE UN INTERRUPTOR ACCIONADO POR CORRIENTE DE PÉRDIDA A TIERRA (GFCI – GROUND FAULT CIRCUIT INTERRUPTER)

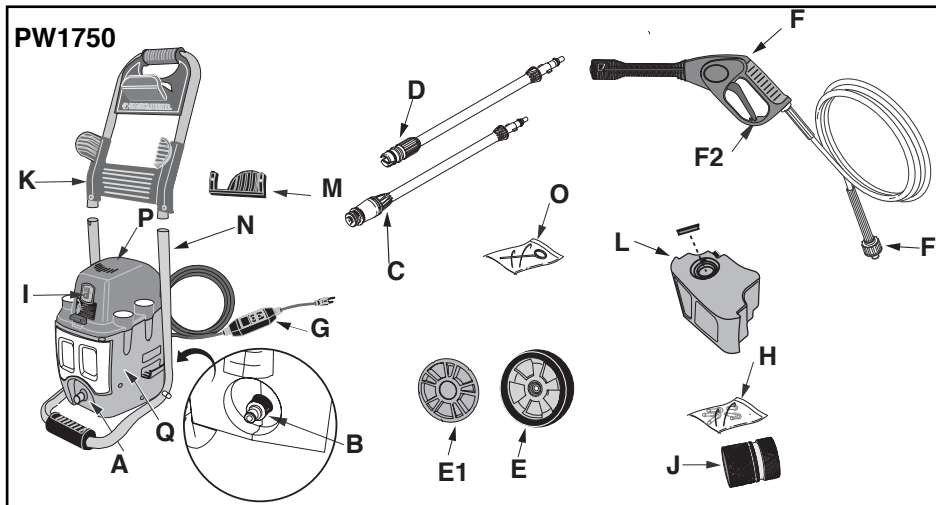
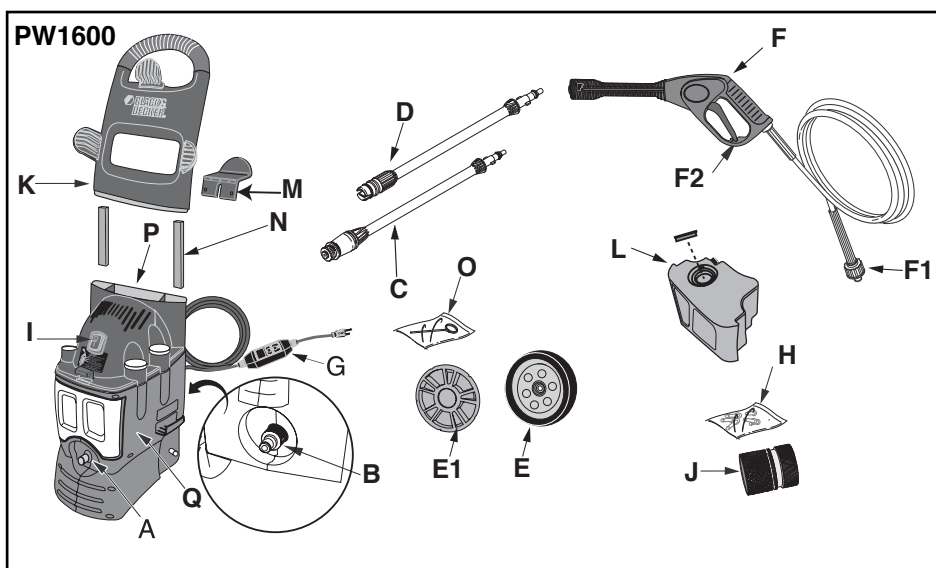
Este producto viene con un interruptor accionado por corriente de pérdida a tierra (GFCI – Ground Fault Circuit Interrupter) integrado en el enchufe del cable de corriente. Este dispositivo brinda protección adicional contra el riesgo de electrochoque. De ser necesario reemplazar el enchufe o el cable, uso solo piezas de repuesto idénticas que incluyan protección GFCI. Vea la **Figura 13** para el procedimiento de prueba.

**⚠ ADVERTENCIA:** Conectar directamente al tomacorriente. No usar con cable de extensión. Usar un cable de extensión invalidaría el GFCI integrado en el enchufe del cable de suministro eléctrico y ocasionar un riesgo de electrochoque.

• La etiqueta puesta en su herramienta podría incluir los símbolos siguientes.

- V.....voltios
- A.....amperios
- Hz .....hertzios
- W..... vatios
- min..... minutos
- ~ ..... corriente alterna
- ==== ..... corriente directa
- no ..... velocidad sin carga
- ☐..... Construcción Clase II
- .../min .....revoluciones por minuto
- ⊕ ..... terminal a tierra
- ⚠..... símbolo de alerta de seguridad

## GUARDE ESTAS INSTRUCCIONES



- A. Salida de agua a alta presión (SALIDA)
- B. Conector rápido para la bomba
- C. Vara turbo de alta presión
- D. Vara ajustable de rociado en abanico
- E. Ruedas
- E1. Tapa de la rueda
- F. Pistola
- F1. Conector de alta presión para la manguera
- F2. Seguro de la pistola
- G. Cable de alimentación eléctrica con GFCI
- H. Bolsa de ferretería
- I. Conmutador de encendido y apagado
- J. Conector rápido para la manguera de entrada
- K. Mango
- L. Depósito desmontable con tapa para el detergente
- M. Gancho superior para enrollado del cable
- N. Tubos de metal de soporte
- O. Herramienta de limpieza de la boquilla
- P. Caja externa superior negra
- Q. Caja externa naranja



## ENSAMBLAJE DE LA UNIDAD

### ENSAMBLAJE DE LA PW1600:

#### Herramientas necesarias:

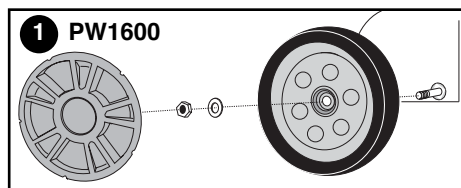
Destornillador Philips  
Llave ajustable

#### Contenido de la bolsa de ferretería:

- 2 arandelas planas
- 2 tuercas hexagonales de fijación
- 6 tornillos de 15,9 mm (5/8 pulg.)

#### Ensamblaje de las ruedas - PW1600

Retire los dos extremos de plástico protectores del eje y deséchelos. Coloque la rueda (E), arandela plana y tuerca hexagonal de fijación sobre el extremo del eje, como se muestra, con la cara lisa de la rueda que sólo tiene orificios circulares hacia afuera (la cara de la rueda con rayos elevados va hacia adentro, hacia el cuerpo de la lavadora a presión). Con una llave, ajuste bien la tuerca. Alinee la tapa de la rueda (E1) sobre la cara de la rueda, como se ilustra, y presione el centro de la tapa de rueda hasta que quede firmemente fijada a la rueda.



#### Ensamblaje del mango - PW1600

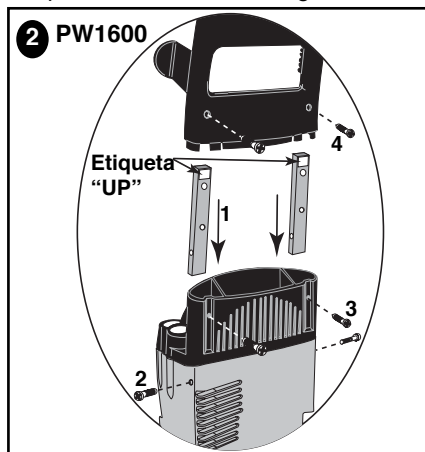
1.) Con los extremos del tubo rectangular de acero (N) apuntando hacia arriba como aparece ilustrado, empuje los tubos firmemente hacia abajo dentro de los orificios rectangulares en la caja externa negra superior (P) hasta que topen con el fondo.

2.) Atornille un tornillo de 15,9 mm (5/8 pulg.) en el orificio a cada lado de la caja externa naranja (Q) como aparece ilustrado y dentro del orificio pre-perforado del tubo, hasta que quede ajustado.

3.) Luego atornille un tornillo de 15,9 mm (5/8 pulg.) en cada uno de los orificios de la parte posterior superior de la caja externa negra superior (P), como lo muestra la figura, dentro del orificio pre-perforado del tubo hasta que quede ajustado.

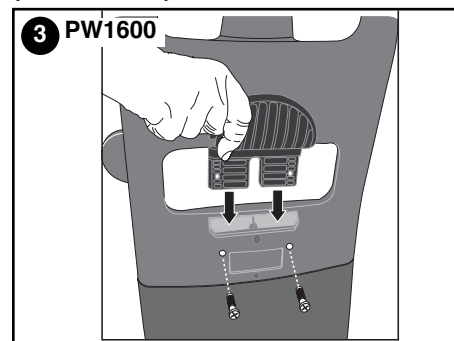
4.) Ahora está listo para alinear los orificios

rectangulares de la parte inferior del mango (K) sobre los tubos, empujando el mango hacia abajo hasta que su borde inferior se deslice completamente dentro de la caja externa negra (P). Atornille un tornillo de 15,9 mm (5/8 pulg.) en cada uno de los orificios de la parte posterior del mango (K), como lo muestra la figura, dentro de los tubos hasta que quede ajustado para completar la unidad del mango.



#### Ensamblaje del gancho superior para enrollado del cable - PW1600

Inserte el gancho superior para enrollado del cable (M) en la ranura posterior del mango (K), empujando con firmeza hasta que tope. Atornille dos tornillos autoenroscables de 1 1/2" incluidos en la bolsa del gancho para el cable por los orificios del mango al gancho para enrollado del cable, como aparece ilustrado, hasta que quede ajustado. NO ajuste demasiado.



### ENSAMBLAJE DE LA PW1750:

#### Herramientas necesarias:

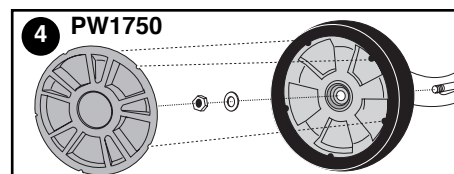
Destornillador Philips  
Llave ajustable

#### Contenido de la bolsa de ferretería:

- 2 arandelas planas
- 2 tuercas hexagonales de fijación

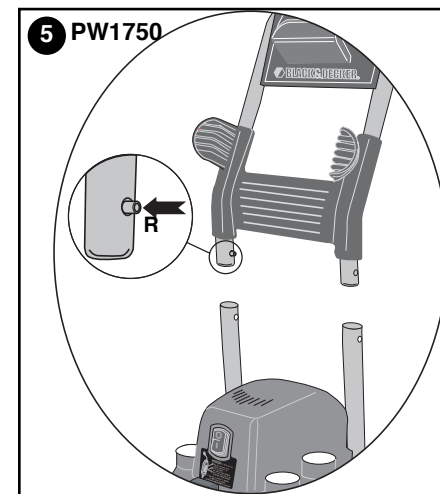
#### Ensamblaje de las ruedas - PW1750

Retire los dos extremos de plástico protectores del eje y deséchelos. Coloque la rueda (E) sobre el extremo del eje que tenga hilo de enroscado, de modo que las 5 protuberancias cuadradas queden mirando hacia afuera como aparece ilustrado más abajo. Siga la rueda con una arandela plana y una tuerca de fijación. Con una llave, ajuste bien la tuerca. Alinee las 5 muescas de la tapa de la rueda (E1) con las protuberancias de la rueda, como se ilustra, y presione el centro de la tapa de rueda hasta que quede firmemente fijado a la rueda.



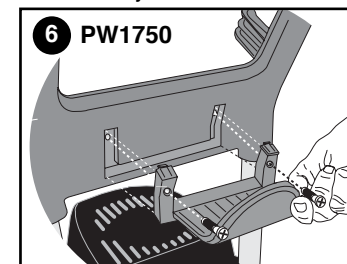
#### Ensamblaje del mango - PW1750

Alinee y comience a empujar los tubos del mango (K) hacia abajo dentro de los tubos inferiores (N), como aparece ilustrado. Presione los botones con resorte (R) del mango (K) hacia adentro a medida que empuja hacia abajo los tubos del mango dentro de los tubos inferiores (N), hasta que ambos botones con resorte sobresalgan por los orificios del tubo inferior (N), completando así el ensamblaje de la unidad.



#### Ensamblaje del gancho superior para enrollado del cable - PW1750

Inserte el gancho superior para enrollado del cable (M) en las ranuras posteriores del mango (K) empujando hacia arriba y hacia adentro hasta que entre en su lugar. Atornille dos tornillos autoenroscables de 1/2" incluidos en la bolsa del gancho para el cable por los orificios del dispositivo para enrollado del cable al mango, como aparece ilustrado, hasta que quede ajustado. NO ajuste demasiado.



## MONTAJE / AJUSTE

Figura 7 - Inserte la vara de rociado en abanico (D) en la vara de la pistola (F) empujándola y girándola hasta que las dos piezas queden enganchadas, como aparece en la Figura 7.

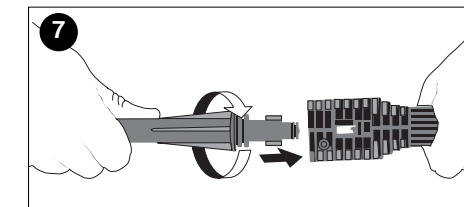
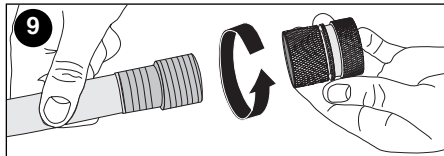


Figura 8 - Conecte la manguera de alta presión (F1) al agua (SALIDA) (A) en la unidad insertando primero el extremo de latón de la manguera en la salida con hilo para enroscado del frente de la unidad y luego enroscando bien el acoplamiento de la manguera.

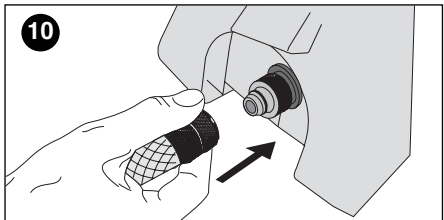


**Figura 9** - Conecte el conector rápido para la manguera de entrada (J) a su manguera de jardín, como lo muestra la Fig. 9. La temperatura del agua de entrada NO debe sobrepasar los 50°C (122°F). La presión del agua de entrada debe encontrarse entre 20 y 80 psi.

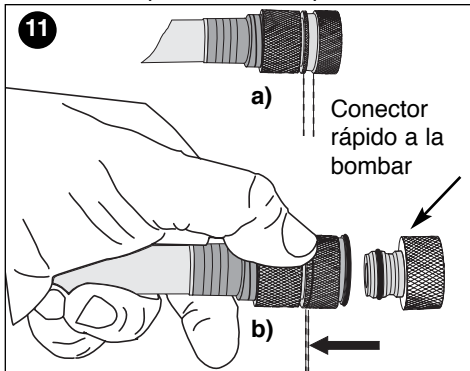
**⚠ PRECAUCIÓN:** Sólo debe utilizarse agua limpia con esta lavadora a presión; el uso de agua no filtrada o de químicos corrosivos dañará la lavadora a presión.



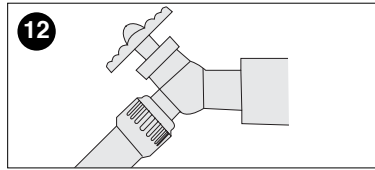
**Figura 10** - Con el conector rápido (J) conectado a su manguera de jardín, tire de su anillo exterior hacia atrás y presione firmemente contra el conector rápido del acoplamiento de la bomba (B), (ya conectado a la entrada de la lavadora a presión), luego suelte del anillo para conectar.



**IMPORTANTE:** El anillo externo de latón del conector rápido de la manguera de entrada DEBE ser replegado completamente, como lo muestra la Fig. 11b) antes de presionarlo contra el conector rápido de la bomba. (B) El agua no fluirá a la bomba si estos 2 conectores no están completamente acoplados.



**Figura 12** - Conecte el otro extremo de la manguera de jardín a la fuente de agua fría y abra la llave de agua completamente. Esta lavadora a presión no fue diseñada para bombear agua caliente. Nunca conecte esta lavadora a presión a una fuente de agua caliente pues podría reducir significativamente la vida de la bomba.



## OPERACIÓN

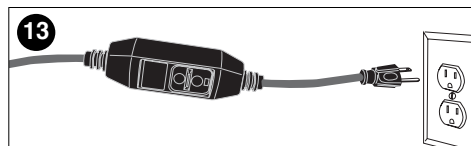
**NOTA:** Antes de limpiar cualquier superficie, debería limpiar primero un área discreta para probar el patrón de rociado y la distancia necesaria para obtener resultados de limpieza. Si es una superficie pintada cuya pintura se está pelando o descascarando, use mucha cautela pues la lavadora a presión podría quitar la pintura suelta de la superficie.

Esta lavadora a presión viene equipada con un mecanismo de corte automático del flujo de salida:

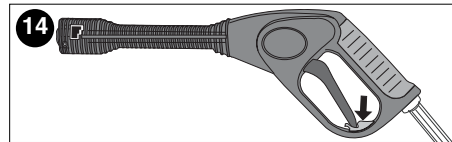
Cuando se **suelta** el gatillo, la presión dinámica detiene el motor en forma automática.

Cuando se **aprieta** el gatillo, la caída de presión interna arranca el motor en forma automática y la presión de rociado es reestablecida con un retraso muy ligero.

**Figura 13** - Verifique que el conmutador de encendido y apagado (I) esté apagado antes de enchufar la unidad. Presione la parte del conmutador marcada con una "O" para verificar que la unidad esté apagada. Enchufe el Interruptor accionado por corriente de pérdida a tierra (GFCI) (G) en una toma de corriente. El indicador debería ponerse rojo. **PRUÉBELO ANTES DE CADA USO.** Presione el botón de "PRUEBA". El indicador rojo debería apagarse. Presione el botón de "REPOSICIÓN" otra vez para utilizar el GFCI. Si la prueba anterior falla, no lo use.

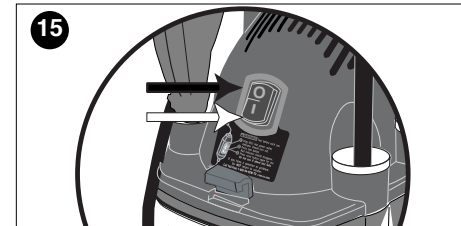


**Figura 14** - Antes de cada uso, verifique que el seguro de la pistola haya sido liberado, empujándolo hacia abajo como aparece ilustrado, luego presione el gatillo por unos segundos para permitir que escape aire y descargar la presión residual en las mangueras.



**Figura 15** - Presione la mitad inferior del conmutador (I) marcado "I" para encender la lavadora a presión. La unidad funcionará por unos segundos mientras acumula presión y se apagará. Funcionará según demanda, cuando se apriete el gatillo de la pistola. Presione la mitad superior del conmutador, marcado "O" para apagar la lavadora a presión.

**SU LAVADORA A PRESIÓN ESTÁ AHORA LISTA PARA USARSE - POR FAVOR REPASE LOS SIGUIENTES DETALLES ACERCA DE LA APLICACIÓN DE ACCESORIOS.**

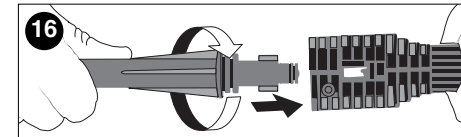


## ACCESORIOS

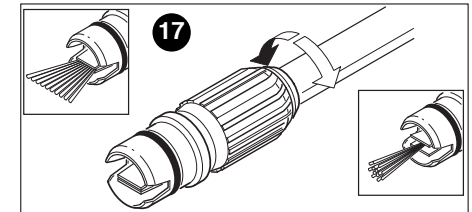
**⚠ PRECAUCIÓN:** Antes de cambiar de accesorio, ajustar la presión o usar el sistema de extracción de detergente, apague el conmutador de la unidad, tire del gatillo para liberar la presión y active el seguro de la pistola.

• **VARA AJUSTABLE DE ROCIADO EN ABANICO**

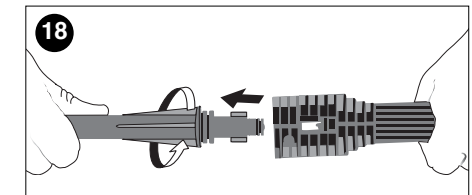
1.) Inserte la vara de rociado en abanico (D) en la vara de la pistola (F) empujándola y girándola hasta que las dos piezas queden enganchadas, como aparece en la **Figura 16**.



2.) Para lograr el máximo de presión, gire la boquilla de la vara de rociado en abanico en la dirección de las manillas del reloj como se muestra en la **Figura 17**. Este chorro angosto limpia a mayor profundidad en áreas de suciedad concentrada. Para un patrón de rociado en abanico más ancho, gire la boquilla de la vara en dirección contraria a las manillas del reloj. Un patrón en abanico más ancho reduce el riesgo de daños a la superficie y permite limpiar superficies más grandes con mayor rapidez.

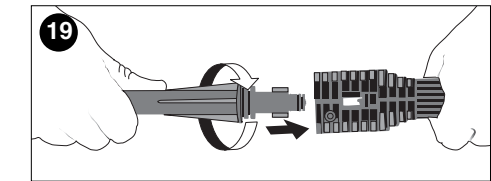


3.) Para retirar la vara, empuje la vara de rociado en abanico hacia la vara de la pistola y gírela, como lo muestra la **Figura 18**.

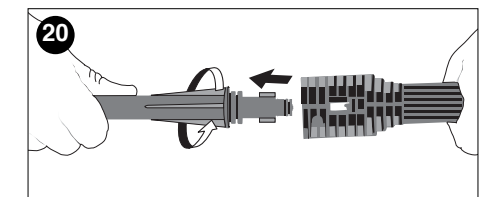


• **BOQUILLA TURBO**

1.) Inserte la vara con boquilla turbo (C) en la vara de la pistola (F) empujándola y girándola hasta que las dos piezas queden enganchadas, como aparece en la **Figura 19**.



3.) Para retirar la vara, empuje la vara turbo hacia la vara de la pistola y gírela, como lo muestra la **Figura 20**.

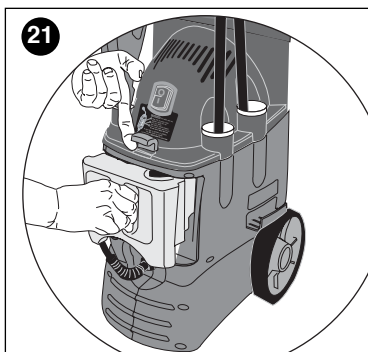


### • DEPÓSITO PARA DETERGENTE

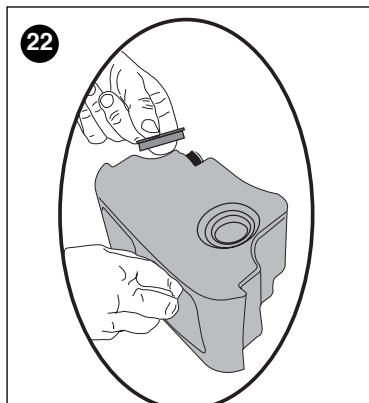
Siga las instrucciones del fabricante del detergente para mezclar las concentraciones adecuadas de jabón y detergentes.

Para usar el depósito para detergente:

1.) Tire la lengüeta del seguro hacia arriba como lo muestra la **Fig. 21** y saque el tanque de la unidad.

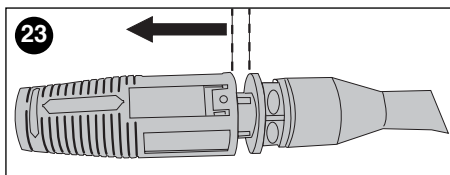


2.) Para destaparlo, levante la tapa, como lo muestra la **Figura 22**, llene el tanque con detergente y reponga la tapa. Vuelva a insertar el tanque completamente dentro de la unidad hasta que enganche en su lugar.



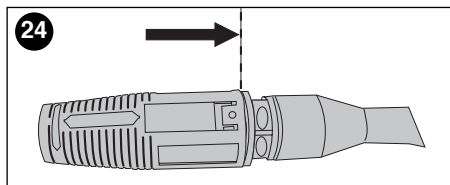
3.) Inserte la vara ajustable de rociado en abanico en la pistola. El aplicador del detergente sólo funciona con la vara ajustable de rociado en abanico.

4.) Con el conmutador apagado en la posición **O**, tire de la boquilla de la vara ajustable de rociado en abanico hacia afuera, como lo muestra la **Figura 23** para permitir que recoja el detergente. Encienda el conmutador, poniéndolo en la posición **I**.



5.) Aplique detergente, según las instrucciones del fabricante del detergente.

6.) Para enjuagar apague el conmutador, poniéndolo en la posición **O** antes de empujar la boquilla de la vara ajustable de rociado en abanico hacia adentro, como lo muestra la **Figura 24**. Esto aumentará la presión del agua y automáticamente detendrá el flujo de detergente. Vuelva a encender el conmutador, en posición **I**.



7.) Enjuague el detergente de la superficie.

8.) Cuando haya terminado de usar el sistema de suministro de detergente o antes de cambiar de tipo de detergente, debe verificar que el sistema entero sea enjuagado hasta quedar limpio. Para hacer esto, retire el depósito para vaciar el detergente restante y enjuáguelo varias veces con agua limpia. Luego, llene el depósito del detergente con agua limpia y vuelva a ponerlo dentro de la lavadora a presión. Con la boquilla en la posición mostrada en la **figura 23**, hacia afuera para recoger detergente, presione el gatillo de la pistola sólo por 1 minuto hasta que sólo rocíe agua limpia. Retire el depósito y vacíe el resto del agua. **NOTA:** El incumplimiento con el procedimiento de enjuague de detergente anterior hará que el sistema de suministro del detergente se tape.

#### NOTA: NO USE:

- Cloro, productos que contengan cloro u otros químicos corrosivos.
- Líquidos que contengan solventes (como diluyentes, gasolina, aceites)
- Productos que contengan fosfato trisódico
- Productos que contengan amoníaco
- Productos con bases ácidas

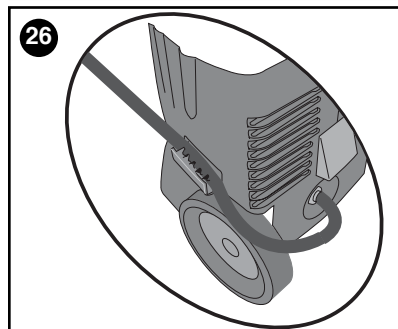
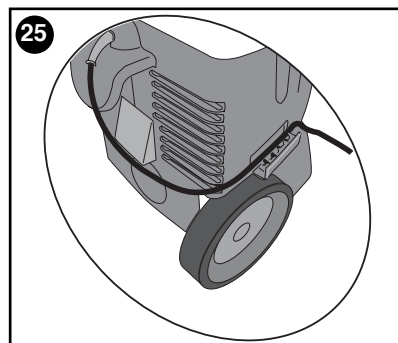
Estos químicos dañarán la unidad y la superficie a limpiar.

### PREPARACIÓN DE LA SUPERFICIE

Antes de empezar a limpiar, es importante revisar el área y retirar de ella objetos que podrían crear situaciones de peligro. Retire objetos del área con los que se podría tropezar, como juguetes o muebles de terraza. Verifique que todas las puertas y ventanas de su casa estén bien cerradas. También verifique que todas las plantas y los árboles que se encuentren en el área adyacente estén protegidos con una lona para así garantizar que no serán dañados por el rociado.

### REUBICACIÓN DE LA UNIDAD

- 1.) Para mover la unidad a otro lugar durante la limpieza, apague la unidad antes de moverla.
- 2.) Ponga el cable de alimentación y la manguera de jardín en los dispositivos de retención, como lo muestran las **Figuras 25 y 26**.

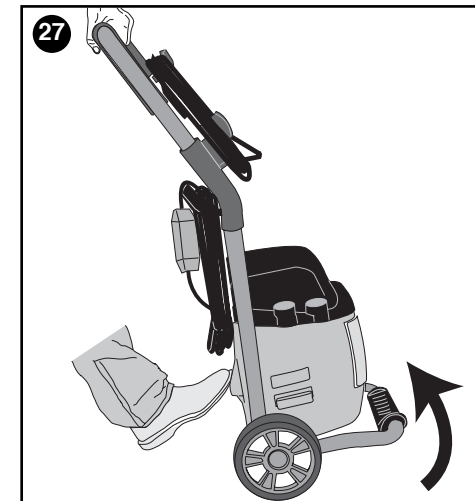


3.) Ponga la mano sobre el mango superior y el pie contra la base de la unidad como lo muestra la **Fig. 27** e incline la unidad hacia atrás.

4.) Tire la unidad para moverla al lugar deseado.

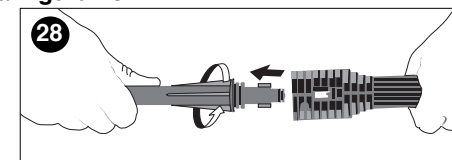
5.) Retire la manguera y el cable de alimentación de los dispositivos de retención.

6.) Encienda la unidad para seguir usándola.

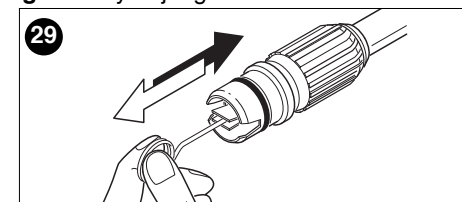


### CONSEJOS GENERALES DE LIMPIEZA

• Separe la vara de rociado en abanico (**D**) de la vara de la pistola (**F**) como lo muestra la **Figura 28**.



• Limpie la boquilla con la herramienta de limpieza (**O**). Retire cualquier tierra que haya en el orificio de la boquilla de la vara de rociado en abanico, como lo muestra la **Figura 29** y enjuáguela.



• Para tareas de limpieza tales como limpieza de terrazas de madera o patios de ladrillo, limite su trabajo a aproximadamente 25 pies cuadrados por vez.

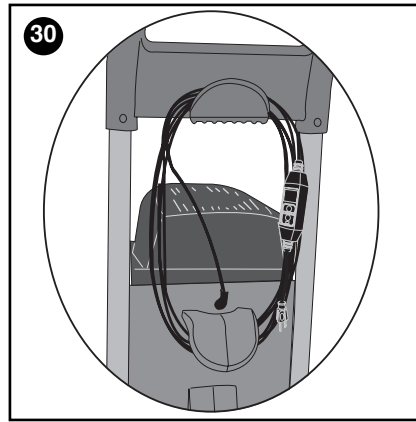
- Enjuague el área antes de limpiarlo, con agua fresca.
- Use sólo detergentes formulados para

lavadoras a presión.

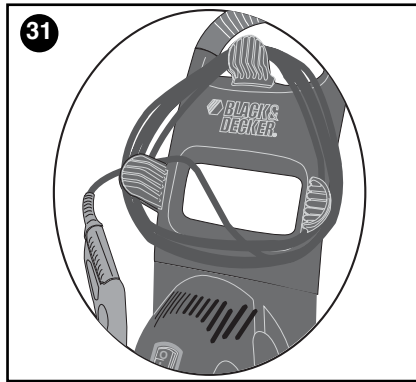
- Siempre pruebe el detergente en un área discreta antes de usarlo.
- Empieza con un rociado en abanico ancho y ajuste la presión hasta obtener el patrón de rociado deseado.
- El mejor ángulo para rociar agua contra una superficie de limpieza es 45 grados. El rociado directo tiende a causar que se incrusten partículas de tierra en la superficie. Cuando trabaje en superficies verticales, es mejor aplicar detergente de abajo para arriba, para evitar que el detergente se deslice por una superficie que no ha sido aun limpiada y se chorree en ella.

### APAGADO FINAL / ALMACENAMIENTO

1. Verifique que el depósito y sistema de suministro de detergente hayan sido bien enjuagados, como se describe en la **página 36**, y que el depósito vacío haya sido repuesto en la unidad. Para vaciar el agua restante del sistema de detergente, encienda el conmutador (I) y con la boquilla hacia afuera en posición para recoger detergente, presione el gatillo de la pistola por 30 segundos. El agua de la bomba seguirá siendo rociada a presión baja luego de 30 segundos, pero el sistema de detergente será purgado.
2. Apague el conmutador (O) y desenchufe el cable de la toma de corriente.
3. Apague el agua de la llave.
4. Desconecte la manguera del jardín de la entrada de agua.
5. Una vez que la manguera de entrada haya sido desconectada de la unidad, encienda la unidad por unos segundos y apriete el gatillo de la pistola hasta que deje de rociar agua. Apague la lavadora de inmediato.
6. Vacíe el tanque de detergente.
7. Enrolle el cable de alimentación en la parte posterior de la unidad, enganchando el enchufe al cable como lo muestra la **Figura 30**.



8. Desconecte la manguera de alta presión de la toma de alta presión y drene la manguera apretando el gatillo de la pistola.
9. Active el seguro de la pistola.
10. Enrolle la manguera de alta presión en la parte de adelante de la unidad, como lo muestra la **Fig. 31**.



**IMPORTANTE:** Guarde la lavadora a presión bajo techo, alejada de temperaturas bajo cero para evitar graves daños a la bomba.

### MANTENIMIENTO

Limpie la boquilla con la herramienta incluida. Retire cualquier tierra que haya en el orificio de la boquilla de la vara de rociado, como lo muestra la **Figura 29** y enjuáguela.

Para limpiar la herramienta, sólo utilice un paño húmedo y jabón suave.

**⚠ PRECAUCIÓN:** Nunca use la lavadora a presión para limpiarla.

**IMPORTANTE:** Para garantizar la **SEGURIDAD** y la **FIABILIDAD** del producto, toda reparación, mantenimiento y

ajuste, deberán ser realizados en los centros autorizados de servicio u otras organizaciones de servicio calificadas, utilizando siempre para ello accesorios originales.

### ACCESORIOS

**⚠ ADVERTENCIA:** El uso de cualquier accesorio que no sea recomendado para ser utilizado con esta lavadora a presión podría ser peligroso.

### INFORMACIÓN DE SERVICIO

**No regrese este producto al vendedor.** Black & Decker ofrece una red completa de centros de servicio y centros autorizados en toda Norteamérica. Todos los centros de servicio Black & Decker disponen de personal entrenado para dar un servicio eficiente y confiable a las herramientas eléctricas de sus clientes. De necesitar orientación técnica, reparación o repuestos originales de fábrica, diríjase al centro Black & Decker local. Para hallar la ubicación del centro de servicio más cercano, busque en las páginas amarillas de la guía telefónica bajo "Herramientas—Eléctricas" o llame a: **1-800-544-6986**.

### GARANTÍA DE DOS AÑOS PARA USO DOMÉSTICO

Black & Decker (EE.UU.) Inc. garantiza este producto por dos años contra cualquier defecto en su material o fabricación. El producto defectuoso será cambiado o reparado, sin costo. **No regrese este producto al vendedor.**

Lleve o envíe el producto (con franqueo pagado) a un centro de servicio Black & Decker o un centro autorizado para reparaciones o reemplazo, a nuestra discreción. La prueba de compra podrá ser requerida. Los centros de servicio Black & Decker o centros autorizados se anuncian bajo "Herramientas - Eléctricas" en las páginas amarillas de la guía telefónica.

Esta garantía no aplica a los accesorios. Esta garantía le otorga a usted derechos legales específicos y otros derechos que pueden variar de estado en estado y de provincia a provincia. Si tiene alguna pregunta, comuníquese con el gerente de

su centro de servicio Black & Decker más cercano. Este producto no está destinado al uso comercial.

**Sustitución gratuita de las etiquetas de advertencia:** Si las etiquetas de advertencia se vuelven ilegibles o se pierden, llame al **1-800-544-6986** para conseguir gratuitamente otras de repuesto.

### INFORMACIÓN TÉCNICA

Presión de operación – 1250/1300 psi  
Presión máxima\* - 1600/1700 psi

1. Índice de flujo máximo del agua\*  
– 6,06 l/min (1,6 gpm)
2. Requisitos eléctricos  
– 120 V, 15 amperios, 60 Hz
3. Cable de alimentación  
– 10,67 m (35 pies)
4. Manguera de alta presión  
– 7,62 m (25 pies)
5. Fuente mínima de amperaje  
– 15 amperios
6. Presión de entrada del agua  
– 20 a 80 psi
7. Agua de entrada – Sólo agua fría
8. Índice de inyección química  
0,38 l/min (0,1 gpm)

\*Las características de flujo de agua y presión máxima son determinadas según la norma PWMA número PW101.

Para servicio y ventas consulte  
**"HERRAMIENTAS ELÉCTRICAS"**  
en la sección amarilla.



IMPORTADOR: BLACK & DECKER S.A. DE C.V.  
BOSQUES DE CIDROS ACCESO RADIATAS NO. 42  
BOSQUES DE LAS LOMAS, 05120 MEXICO, D.F.  
(55) 5326-7100

Para reparación y servicio de sus herramientas eléctricas, favor de dirigirse al Centro de Servicio más cercano:

**CULIACAN, SIN**

Av. Nicolás Bravo #1063 Sur  
(667) 7 12 42 11  
Col. Industrial Bravo

**GUADALAJARA, JAL**

Av. La Paz #1779  
(33) 3825 6978  
Col. Americana Sector Juarez

**MEXICO, D.F.**

Eje Central Lázaro Cardenas  
No. 18  
(55) 5588 9377  
Local D, Col. Obrera

**MERIDA, YUC**

Calle 63 #459-A  
(999) 928 5038  
Col. Centro

**MONTERREY, N.L.**

Av. Francisco I. Madero  
No.831  
(81) 8375 2313  
Col. Centro

**PUEBLA, PUE**

17 Norte #205  
(222) 246 3714  
Col. Centro

**QUERETARO, QRO**

Av. Madero 139 Pte.  
(442) 214 1660  
Col. Centro

**SAN LUIS POTOSI, SLP**

Av. Universidad 1525  
(444) 814 2383  
Col. San Luis

**TORREON, COAH**

Blvd. Independencia, 96 Pte.  
(871) 716 5265  
Col. Centro

**VERACRUZ, VER**

Prolongación Díaz Mirón #4280  
(229)921 7016  
Col. Remes

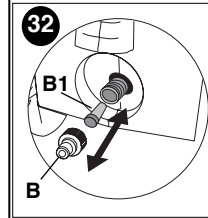
**VILLAHERMOSA, TAB**

Constitución 516-A  
(993) 312 5111  
Col. Centro

**PARA OTRAS LOCALIDADES LLAME AL: (55) 5326 7100**

**GUÍA DE RESOLUCIÓN DE PROBLEMAS**

Síntoma	Causa	Solución
El motor no arranca.	La unidad no está enchufada.	Enchufe el cable de alimentación.
	El conmutador está apagado.	Encienda el conmutador.
	No se está apretando el gatillo de la pistola.	Apriete el gatillo de la pistola con el conmutador encendido.
	El interruptor accionado por corriente de pérdida a tierra (GFCI) ha sido accionado.	Presione el botón de reposición en el GFCI del enchufe en el cable de alimentación.
La unidad no alcanza niveles altos de presión.	La llave de agua no está completamente abierta.	Abra la llave de agua completamente.
	El filtro de entrada de agua está tapado.	Retire el filtro <b>(B1)</b> y enjuáguelo para limpiarlo. <b>Fig. 32</b>
	La boquilla está desgastada.	Póngase en contacto con un representante de servicio al cliente de B&D llamando al <b>1-800-544-6986</b> .
	La bomba está succionando aire.	Revise que las mangueras y los acoplamientos estén ajustados herméticamente. Apague la máquina y drene la bomba apretando el gatillo de la pistola hasta que salga un chorro parejo de agua de la boquilla.
La alimentación de agua está restringida.	Revise la manguera de jardín para verificar que no esté torcida, tenga fugas o esté bloqueada.	
La presión de salida varía entre alta y baja.	No se está alimentando la lavadora con suficiente agua.	Abra la llave del agua completamente - revise la manguera de jardín para verificar que no tenga fugas o esté torcida.
	La bomba está succionando aire.	Revise que las mangueras y los acoplamientos estén ajustados herméticamente. Apague la máquina y drene la bomba apretando el gatillo de la pistola hasta que salga un chorro parejo de agua de la boquilla.
	El filtro de entrada de agua está tapado.	Retire el filtro <b>(B1)</b> y enjuáguelo para limpiarlo. <b>Fig. 32</b>
	La boquilla de descarga está obstruida.	Límpiala como lo muestra la <b>Fig. 29</b> con la herramienta incluida.
No sale detergente.	La punta de la boquilla de la vara ajustable de rociado en abanico no ha sido tirada hacia adelante.	Tire la punta de la boquilla hacia adelante.
	Tiene puesta la vara turbo.	Retire la vara turbo. Instale la vara ajustable de rociado en abanico y tire de la punta de la boquilla hacia adelante.



## GUIA DE RESOLUCIÓN DE PROBLEMAS

Síntoma	Causa	Solución
	El depósito del detergente está vacío.	Llénelo con detergente.
	El detergente está demasiado grueso.	Use sólo el detergente recomendado para ser usado con lavadoras a presión.
	El filtro del tubo de succión de detergente está tapado.	Llene el depósito con agua tibia y deje remojando el filtro. Vacíe y llene el depósito con agua limpia varias veces para enjuagar el filtro.
	La boquilla de descarga está obstruida.	Límpiala como lo muestra la <b>Fig. 29</b> con la herramienta incluida.
La manguera de jardín se filtra.	Acoplamiento suelto.	Ajuste los acoplamientos.
	No tiene arandela o la que tiene está desgastada.	Cambie la arandela del adaptador de la manguera.
La vara de rociado o vara alargadora se filtra.	La vara de rociado no fue debidamente conectada.	Inserte la vara de rociado en la vara alargadora. Empuje y gire la vara de rociado para fijarla en su lugar.
	Anillo tórico roto.	Póngase en contacto con un representante de servicio al cliente de B&D llamando al <b>1-800-544-6986</b> .
La bomba hace demasiado ruido.	La bomba está succionando aire.	Revise que las mangueras y los acoplamientos estén ajustados herméticamente. Apague la máquina y drene la bomba apretando el gatillo de la pistola hasta que salga un chorro parejo de agua de la boquilla.
Se filtra agua de la bomba.	Acoplamiento suelto. Los sellos de agua están desgastados o dañados.	Revise que todos los acoplamientos estén ajustados. Póngase en contacto con un representante de servicio al cliente de B&D llamando al <b>1-800-544-6986</b> .
Filtración de aceite.	Los sellos de aceite están desgastados o dañados.	Póngase en contacto con un representante de servicio al cliente de B&D llamando al <b>1-800-544-6986</b> .
El motor zumba pero no arranca.	El voltaje de alimentación es inferior al mínimo requerido.	Verifique que <b>SOLO</b> la lavadora de presión esté funcionando en este circuito.
	El sistema tiene presión residual.	Apague la unidad, apriete el gatillo de la pistola para liberar la presión y encienda la unidad.
	Pérdida de voltaje por alargador.	No use un alargador con esta unidad - enchúfela directamente a la toma de corriente.
	El limpiador no se ha utilizado por períodos largos de tiempo.	Póngase en contacto con un representante de servicio al cliente de B&D llamando al <b>1-800-544-6986</b> .













## Free Manuals Download Website

<http://myh66.com>

<http://usermanuals.us>

<http://www.somanuals.com>

<http://www.4manuals.cc>

<http://www.manual-lib.com>

<http://www.404manual.com>

<http://www.luxmanual.com>

<http://aubethermostatmanual.com>

Golf course search by state

<http://golfingnear.com>

Email search by domain

<http://emailbydomain.com>

Auto manuals search

<http://auto.somanuals.com>

TV manuals search

<http://tv.somanuals.com>