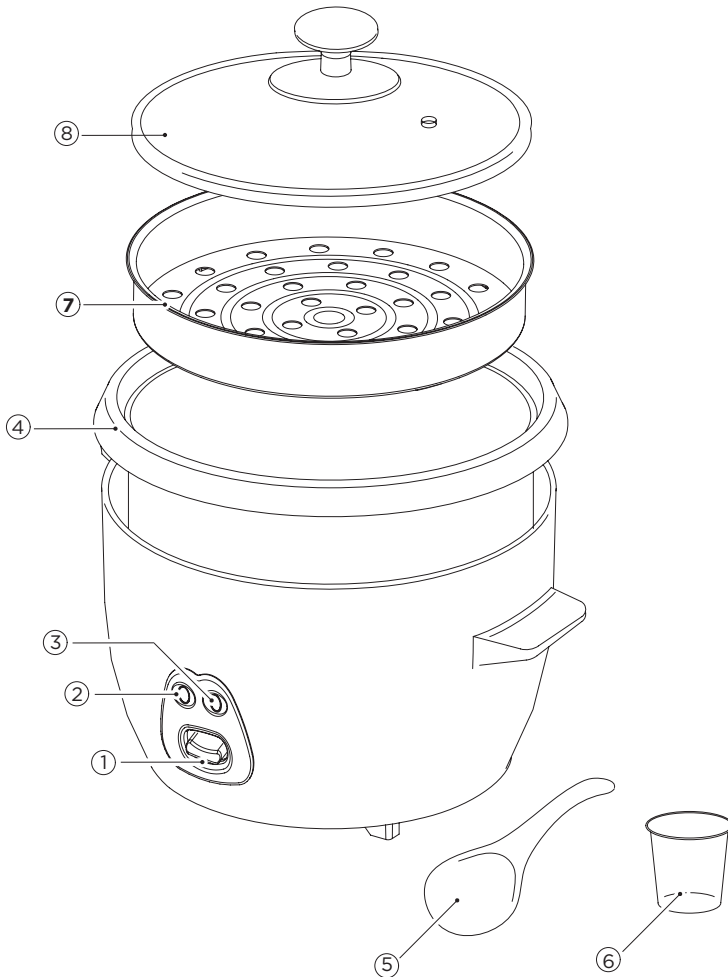


RC650
RC1050
RC1850
RC1860
RC2850

www.blackanddecker.ae

Features

This appliance includes some or all of the following features:



- | | |
|-------------------------------|--------------------------------|
| 1. Control lever | 5. Rice spoon |
| 2. Cook indicator "COOK" | 6. Measuring cup |
| 3. Keep-warm indicator "WARM" | 7. Steamer tray (Except RC650) |
| 4. Cooking bowl | 8. Lid |

Warning! The control panel may look different to the one shown.
Follow the icons "WARM" & "COOK" for the correct location of the indicator lights.

Intended use

Your Black & Decker rice cooker has been designed for cooking rice. This appliance is intended for household use only.

Safety instructions



Warning! Read all safety warnings and all instructions. Failure to follow the warnings

and instructions listed below may result in electric shock, fire and/or serious injury.

- Read all of this manual carefully before using the appliance.
- The intended use is described in this manual. The use of any accessory or attachment or the performance of any operation with this appliance other than those recommended in this instruction manual may present a risk of personal injury.
- Retain this manual for future reference.
- Do not allow children or any person unfamiliar with these instructions to use the appliance.
- Do not allow children or animals to come near the work area or to touch the appliance or power supply cord.
- Close supervision is necessary when the appliance is used near children.
- Do not touch hot surfaces.
- Always take care when using the appliance.
- Never pull the power supply cord to disconnect the plug from the socket. Keep the supply cord away from heat, oil and sharp edges.
- Do not place the appliance on or near heat sources or in a heated oven.
- Do not allow the power supply cord to hang over the edge of your work top or table.

Using your appliance

Warning! The temperature of accessible surfaces may be high when the appliance is operating.

- This appliance is not intended for use by persons (including children) with reduced physical, sensory or mental capabilities, or lack of experience and knowledge, unless they have been given supervision or instruction concerning use of the appliance by a person responsible for their safety.
- Children should be supervised to ensure that they do not play with the appliance.
- Always place the appliance on a level surface with adequate free space on all sides.
- Do not place the appliance below a socket outlet.
- Do not place the appliance on a wet or slippery surface.
- Do not use the appliance near flammable or explosive materials.
- Do not use the appliance outdoors.

- Always protect the appliance from water or excessive humidity.
- Do not move the appliance when in use.
- Operate the appliance only with dry hands.
- Do not use the appliance if you have bare feet.
- If the power supply cord is damaged during use, disconnect the appliance from the power supply immediately. Do not touch the power supply cord before disconnecting from the power supply.
- Disconnect the appliance from the power supply cord before fitting or removing parts and before cleaning.
- Allow the appliance to cool before cleaning.
- Steam may escape from the lid during use. Always position the lid so that any steam vents away from the user.
- Always route the cord carefully so that it does not cause a tripping hazard.
- Cook only in the bowl supplied.

After use

- Remove the plug from the socket and let the appliance cool down before leaving it unattended and before changing, cleansing or inspecting any parts of the appliance.
- When not in use, the appliance should be stored in a dry place.
- Children should not have access to stored appliances.

Inspection and repairs

- Before use, check the appliance for damaged or defective parts. Check for breakage of parts, damage to switches and any other conditions that may affect its operation.
- Do not use the appliance if any part is damaged or defective.
- Have any damaged or defective parts repaired or replaced by an authorised repair agent.
- Before use, check the power supply cord for signs of damage, ageing and wear.
- Do not use the appliance if the power supply cord or mains plug is damaged or defective.
- If the power supply cord or mains plug is damaged or defective it must be repaired by an authorised repair agent in order to avoid a hazard. Do not cut the power supply cord and do not attempt to repair it yourself.
- Never attempt to remove or replace any parts other than those specified in this manual.

Electrical safety

Before use, check that the mains voltage corresponds to the voltage on the rating plate.



Do not immerse the appliance, power supply cord or plug in water or other liquid.

- This product must be earthed.
- If supply cord is damaged, it must be replaced by the manufacturer or an authorised Black & Decker Service Centre in order to avoid a hazard.

Extension cables

- As the appliance is earthed and of class I construction, only use a 3-core extension cable.
- When using an extension cable make sure it is correctly wired and rated for its use.

Additional safety instructions for rice cookers

- If water has entered the unit allow it to dry thoroughly before using the appliance again.
- Always ensure that the heating plate and the bottom of the cooking bowl are free from spilled particles before cooking.
- Keep the unit and heating plate clean and free from any foreign particles.
- Always carry the appliance using the side handles.
- Do not switch the appliance on without having inserted the cooking bowl.
- Do not use the appliance for deep frying food and do not let any part of the rice cooker come into contact with hot oil.
- Do not obstruct the steam vent with any article.
- To prevent damaging the non stick coating on the appliance always use the plastic rice spoon or other rubber or wood utensils.

Residual risks

Additional residual risks may arise when using the appliance which may not be included in the enclosed safety warnings. These risks can arise from misuse, prolonged use etc.

Even with the application of the relevant safety regulations and the implementation of safety devices, certain residual risks can not be avoided. These include:

- Injuries caused by touching any rotating/moving parts.
- Injuries caused when changing any parts, blades or accessories.
- Injuries caused by prolonged use of an appliance. When using any appliance for prolonged periods ensure you take regular breaks.
- Impairment of hearing.

Unpacking

- Remove all packaging from the appliance.
- Wash the cooking bowl, lid, steaming tray, measuring cup and serving spoon in warm sudsy water before first use.

Use

Measuring the rice

The measuring cup (6) can be used to measure the rice. Each cup of uncooked rice normally gives two bowls of cooked rice. Do not exceed the quantities indicated in the following table.

- Measure the rice with the measuring cup (6).

Determining the required water quantity

The amount of water required can be determined in the following table.

- Measure the water quantity with the measuring cup (6) according to the table below.

| | Rice quantity | Water quantity |
|------------------|---------------|----------------|
| RC650 | 1 cups | 2 cups |
| | 2 cups | 3 cups |
| | 3 cups | 3.5 cups |
| | Rice quantity | Water quantity |
| RC1050 | 1 cups | 2 cups |
| | 2 cups | 3 cups |
| | 3 cups | 3.5 cups |
| | 4 cups | 5 cups |
| | 5 cups | 6 cups |
| | Rice quantity | Water quantity |
| RC1850 RC1860 | 1 cups | 2 cups |
| | 2 cups | 3 cups |
| | 3 cups | 3.5 cups |
| | 4 cups | 5 cups |
| | 6 cups | 7 cups |
| | 8 cups | 9 cups |
| | 10 cups | 11 cups |
| RC2850 | 15 cups | 16 cups |

Cooking rice

Warning! Do not interfere with the automatic action of the control lever by preventing it from switching to the warm mode.

Warning! Exercise caution when handling the appliance as the cooking bowl and accessories get hot during use. These may remain hot for some time after use.

Warning! Steam can escape from the unit when the accessories or lid is removed.

- Measure the rice.
- Wash the rice thoroughly under cold running water to remove excess starch.

Important: Do not use the cooking bowl to wash the rice.

- Put the washed rice into the cooking bowl (4).
- Add the required amount of water.
- Smooth the surface of the rice with the rice spoon, ensuring all the rice is under water.
- Put the cooking bowl into the appliance.
- Ensure the cooking bowl is correctly fitted in good contact with the heating plate.
- Fit the lid.
- Plug the supply cord into a suitable electric supply. The keep warm indicator (3) will light up.
- Press the control lever (1) to start the cooking process. The cook indicator (2) will light up.

The cook indicator will go out when the cooking process is finished. After that the keep-warm indicator (3) will light up automatically.

Note: For the best results stir the rice just after the keep-warm indicator comes on. Stirring the rice with the rice spoon allows the steam to escape. This will give fluffier rice.

**Using the steamer tray
(Except RC650)**

Warning! Do not use the steamer tray for cooking meat or poultry.

- Measure the rice.
- Wash the rice thoroughly under cold running water to remove excess starch.

Important: Do not use the cooking bowl to wash the rice.

- Put the washed rice into the cooking bowl (4).
- Add the required amount of water.
- Smooth the surface of the rice with the rice spoon, ensuring all the rice is under water.
- Put the cooking bowl into the appliance.
- Place the vegetables or fish into the steamer tray.
- Put the steamer tray into the appliance.
- Ensure the cooking bowl is correctly fitted in good contact with the heating plate.
- Fit the lid.
- Plug the supply cord into a suitable electric supply.
- The keep warm indicator (3) will light up.
- Press the control lever (1) to start the cooking process.
- The cook indicator (2) will light up.

The cook indicator will go out when the cooking process is finished. After that the keep-warm indicator (3) will light up automatically.

Note: For the best rice results stir the rice just after the keep-warm indicator comes on. Stirring the rice with the rice spoon allows the steam to escape. This will give fluffier rice.

Warning! Always ensure that the contents of the steamer tray are thoroughly cooked before serving.

Cleaning and Maintenance

Warning! Before cleaning and maintenance, remove the plug from the socket and allow the appliance to cool.

- Do not wash any part of the appliance in a dishwasher.
- Wipe the exterior with a damp cloth.
- Do not use scouring pads.
- If necessary, use a mild detergent to remove deposits. Do not use any abrasive or solvent based cleaner.

Warning! Do not immerse the appliance in water or any other liquid.

Technical data

| | | RC650 (Type 1) | RC1050 (Type 1) |
|-------------|----|-------------------|-------------------|
| Voltage | | 220-240V, 50/60Hz | 220-240V, 50/60Hz |
| Power input | W | 294-350 | 336-400 |
| Capacity | l | 0.65 | 1 |
| Weight | kg | 1.55 | 1.675 |

| | | RC1850 (Type 1) | RC1860 (Type 1) |
|-------------|----|-------------------|-------------------|
| Voltage | | 220-240V, 50/60Hz | 220-240V, 50/60Hz |
| Power input | W | 588-700 | 588-700 |
| Capacity | l | 1.8 | 1.8 |
| Weight | kg | 2.48 | 2.48 |

| | | RC2850 (Type 1) |
|-------------|----|-------------------|
| Voltage | | 220-240V, 50/60Hz |
| Power input | W | 924-1100 |
| Capacity | l | 2.8 |
| Weight | kg | 3.875 |

Protecting the environment



Separate collection. This product must not be disposed of with normal household waste.

Should you find one day that your Black & Decker product needs replacement, or if it is of no further use to you, do not dispose of it with other household waste. Make this product available for separate collection.

- Black & Decker provides a facility for recycling Black & Decker products once they have reached the end of their working life. This service is provided free of charge. To take advantage of this service please return your product to any authorised repair agent who will collect them on our behalf.
- You can check the location of your nearest authorised repair agent by contacting your local Black & Decker office at the address indicated in this manual. Alternatively, a list of authorized Black & Decker repair agents and full details of our after-sales service and contact are available on the Internet at: www.2helpU.com.

Warranty

Black & Decker is confident of the quality of its products and offers an outstanding warranty.

This warranty statement is in addition to and in no way prejudices your statutory rights.

The warranty is valid within the territories of the Member States of the European Union and the European Free Trade Area.

If a Black & Decker product becomes defective due to faulty materials, workmanship or lack of conformity, within 24 months from the date of purchase, Black & Decker warranty to replace defective parts, repair products subjected to fair wear and tear or replace such products to ensure minimum inconvenience to the customer unless:

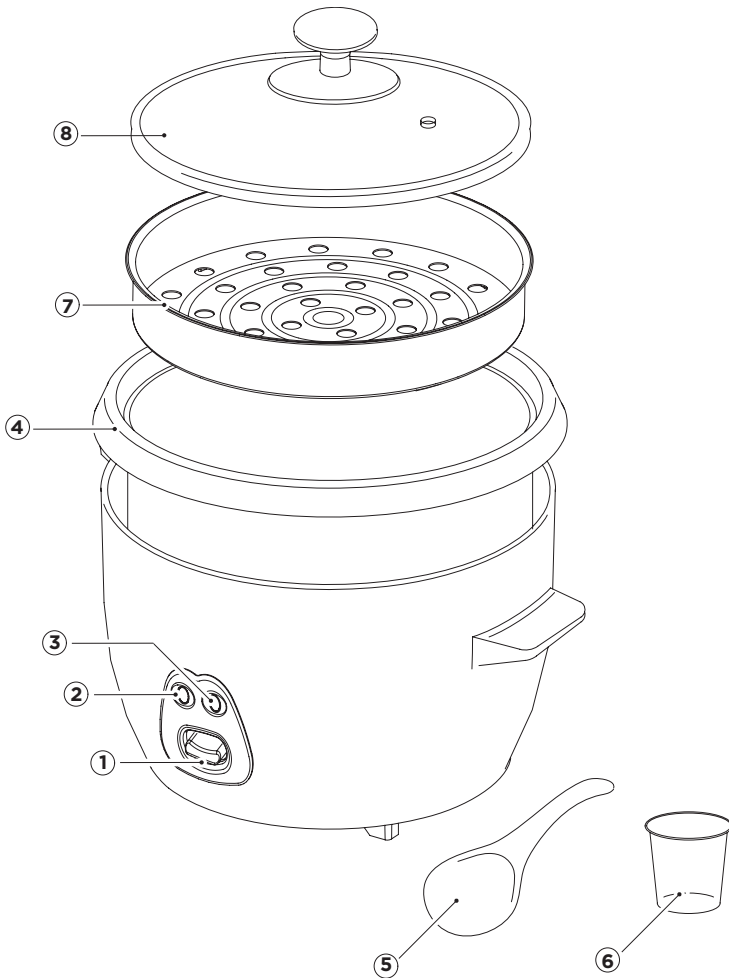
- The product has been used for trade, professional or hire purposes;
- The product has been subjected to misuse or neglect;
- The product has sustained damage through foreign objects, substances or accidents;
- Repairs have been attempted by persons other than authorised repair agents or Black & Decker service staff.

To claim on the warranty, you will need to submit proof of purchase to the seller or an authorised repair agent. You can check the location of your nearest authorised repair agent by contacting your local Black & Decker office at the address indicated in this manual.

Alternatively, a list of authorised Black & Decker repair agents and full details of our after-sales service and contacts are available on the Internet at: www.2helpU.com.

Caractéristiques

Cet appareil comprend certaines ou toutes les caractéristiques suivantes:



- | | |
|---|-------------------------------|
| 1. Manette de contrôle | 5. Cuillère à riz |
| 2. Témoin lumineux de "cuisson" | 6. Tasse à mesurer |
| 3. Témoin lumineux de "maintien au chaud" | 7. Panier vapeur (sauf RC650) |
| 4. Bol de cuisson | 8. Couvercle |

Mise en garde! Le panneau de contrôle peut différer de celui illustré. Suivre les icônes "CHAUFFAGE" et "CUISSON" pour l'emplacement correct des témoins lumineux.

Utilisation prévue

Votre cuiseur à riz Black & Decker est conçu pour cuire du riz. Cet appareil est uniquement destiné à un usage domestique.

Consignes de sécurité



Mise en garde! Lire entièrement toutes les mises en garde de sécurité et les instructions. Le

non-respect des mises en garde ou des instructions décrites ci-dessous peut entraîner un choc électrique, un incendie et/ou des blessures graves.

- Lire attentivement et entièrement ce mode d'emploi avant d'utiliser l'appareil.
- L'utilisation est décrite dans ce mode d'emploi. L'utilisation d'un accessoire ou d'une pièce, ou l'exécution de toute opération avec cet appareil autres que celles recommandées dans ce mode d'emploi peut présenter un risque de blessures corporelles.
- Conserver ce mode d'emploi pour le consulter ultérieurement.

Utilisation de votre appareil

Mise en garde! La température des surfaces accessibles peut être élevée lors du fonctionnement de l'appareil.

- Cet appareil ne doit pas être utilisé par des personnes (y compris les enfants) ayant des déficiences physiques, sensorielles ou mentales. Cette consigne s'applique aussi aux personnes manquant d'expérience ou de connaissances du matériel, à moins que celles-ci n'aient reçu les instructions appropriées ou ne soient encadrées par une personne responsable de leur sécurité pour utiliser l'appareil.
- Les enfants doivent être surveillés pour s'assurer qu'ils ne jouent pas avec l'appareil.
- Ne pas laisser les enfants ni les personnes non familiarisées avec ces instructions utiliser l'appareil.
- Ne pas laisser les enfants ni les animaux s'approcher de la zone de travail, ni toucher l'appareil ou le cordon d'alimentation.
- Rester vigilant lorsque l'appareil fonctionne à proximité d'enfants.
- Ne pas toucher aux surfaces chaudes.
- Faites toujours attention lorsque vous utilisez l'appareil.
- Ne jamais tirer sur le cordon d'alimentation pour débrancher la fiche de la prise. Garder le cordon d'alimentation éloigné de toute source de chaleur, de zones grasses ou de bords tranchants.
- Ne pas placer l'appareil sur ou à proximité de sources de chaleur ou dans un four chauffé.
- Ne pas laisser le cordon d'alimentation pendre sur un rebord de table ou de plan de travail.
- Toujours placer l'appareil sur une surface plane avec suffisamment d'espace autour.
- Ne pas placer l'appareil sous une prise électrique.
- Ne pas placer l'appareil sur une surface mouillée ou glissante.
- Ne pas utiliser l'appareil à proximité de matières inflammables ou explosives.
- Ne pas utiliser l'appareil à l'extérieur.
- Toujours protéger l'appareil de l'eau et de l'humidité excessive.

- Ne pas déplacer l'appareil pendant son fonctionnement.
- Ne faire fonctionner l'appareil qu'avec les mains sèches.
- Ne pas faire fonctionner l'appareil si vous êtes pieds nus.
- Si le cordon d'alimentation est endommagé pendant le fonctionnement de l'appareil, il faut immédiatement le débrancher de l'alimentation électrique. Ne pas toucher au cordon d'alimentation avant qu'il ne soit débranché de l'alimentation électrique.
- Débrancher l'appareil du cordon d'alimentation avant de monter ou de démonter des accessoires et avant de le nettoyer.
- Laisser l'appareil refroidir avant de le nettoyer.
- Un échappement de vapeur par le couvercle peut se produire pendant le fonctionnement. Toujours positionner le couvercle de façon à ce que l'évent à vapeur soit dirigé loin de l'utilisateur.
- Toujours positionner le cordon d'alimentation avec soin afin d'éviter les risques de chute.
- Cuire seulement avec le bol fourni.

Après utilisation

- Retirer la fiche de la prise et laisser l'appareil refroidir avant de le laisser sans surveillance et avant de changer, nettoyer ou inspecter un accessoire de l'appareil.
- Lorsque l'appareil n'est pas utilisé, rangez-le dans un endroit sec.

- Les enfants ne doivent pas avoir accès aux appareils rangés.

Inspection et réparations

- Avant d'utiliser l'appareil, vérifier qu'aucune pièce ne soit endommagée ou défectueuse. Vérifier la présence de pièces cassées, d'interrupteurs endommagés et toute autre condition qui pourraient affecter son fonctionnement.
- Ne pas utiliser l'appareil si une pièce est endommagée ou défectueuse.
- Faire réparer ou remplacer les pièces endommagées ou défectueuses par un réparateur agréé.
- Avant utilisation, vérifier l'état du cordon d'alimentation pour des signes de dommages, de vieillissement ou d'usure.
- Ne pas utiliser l'appareil si le cordon d'alimentation ou la fiche secteur est endommagée ou défectueuse.
- Si le cordon d'alimentation ou la fiche secteur sont endommagés ou défectueux, ils doivent être réparés par un réparateur agréé pour éviter les risques d'accident. Ne pas couper le cordon d'alimentation et ne pas essayer de le réparer soi-même.
- Ne jamais essayer d'enlever ou de remplacer des pièces autres que celles mentionnées dans ce mode d'emploi.

Sécurité électrique

Avant d'utiliser l'appareil, vérifier que la tension secteur correspond à celle indiquée sur la plaque signalétique.



Ne pas plonger l'appareil, le cordon d'alimentation ou la fiche dans l'eau ou un autre liquide.

- Cet appareil doit être mis à la terre.
- Si le cordon d'alimentation est endommagé, il doit être remplacé par le fabricant ou par un centre de réparation agréé Black & Decker afin d'éviter tout danger.

Rallonges

- Du fait que cet appareil est mis à la terre et de fabrication classe 1, il faut utiliser un cordon de rallonge à 3 fils.
- Lorsque vous utilisez une rallonge, assurez-vous qu'elle est correctement câblée et d'une tension nominale adaptée à cette utilisation.

Instructions de sécurité supplémentaires pour les cuiseurs de riz

- Si de l'eau a pénétré dans l'appareil, laissez-le sécher complètement avant de le réutiliser.
- Toujours s'assurer que la plaque chauffante et le fond de la cuve de cuisson sont exempts de particules déversés avant la cuisson.
- Gardez l'appareil et plaque chauffante propre et exempt de toutes particules étrangères.
- Ayez toujours l'appareil à l'aide des poignées latérales.
- Ne mettez pas votre appareil sans avoir inséré le bol de cuisson.
- Ne pas utiliser l'appareil pour la nourriture profonde de friture et ne laissez pas n'importe quelle partie du cuiseur à riz entrer en contact avec l'huile chaude.
- Ne pas obstruer l'évent à vapeur avec quoi que ce soit.
- Pour éviter d'endommager le revêtement

antiadhésif de l'appareil, il faut toujours utiliser une cuillère à riz en plastique ou un autre ustensile en caoutchouc ou en bois.

Risques résiduels

Des risques résiduels supplémentaires peuvent survenir lors du fonctionnement de l'appareil, qui ne peuvent pas être inclus dans ces mises en garde. Ces risques peuvent découler d'une mauvaise utilisation, d'un fonctionnement prolongé, etc.

Malgré les consignes de sécurité et la mise en œuvre de dispositifs de sécurité, certains risques résiduels ne peuvent pas être évités. Dont ceux qui suivent:

- Blessures occasionnées en touchant les pièces en rotation ou en mouvement.
- Blessures occasionnées en changeant les pièces, lames ou accessoires.
- Blessures occasionnées par l'utilisation prolongée d'un appareil. Lorsque vous utiliser un appareil pendant de longues durées, penser à prendre des pauses régulières.
- Troubles auditifs.

Déballage

- Retirer tous les emballages de l'appareil.
- Laver le bol de cuisson, le couvercle, le panier vapeur, la tasse à mesurer et la cuillère de service dans de l'eau chaude savonneuse avant la première utilisation.

Utilisation

Mesurer la quantité de riz

La tasse à mesurer (6) peut être utilisée pour mesurer la quantité de riz. Normalement une tasse de riz non cuit donne deux bols de riz cuits. Ne pas dépasser les quantités indiquées dans le tableau ci-après.

- Mesurer la quantité de riz à l'aide de la tasse à mesurer (6).

Déterminer la quantité d'eau nécessaire

La quantité d'eau nécessaire est indiquée dans le tableau ci-après.

- Mesurer la quantité d'eau à l'aide de la tasse à mesurer (6) selon le tableau ci-dessous.

| RC650 | Quantité de riz | Quantité d'eau |
|------------------|-----------------|----------------|
| | 1 tasse | 2 tasses |
| | 2 tasses | 3 tasses |
| | 3 tasses | 3,5 tasses |
| RC1050 | Quantité de riz | Quantité d'eau |
| | 1 tasse | 2 tasses |
| | 2 tasses | 3 tasses |
| | 3 tasses | 3,5 tasses |
| | 4 tasses | 5 tasses |
| 5 tasses | 6 tasses | |
| RC1850 RC1860 | Quantité de riz | Quantité d'eau |
| | 1 tasse | 2 tasses |
| | 2 tasses | 3 tasses |
| | 3 tasses | 3,5 tasses |
| | 4 tasses | 5 tasses |
| | 6 tasses | 7 tasses |
| | 8 tasses | 9 tasses |
| | 10 tasses | 11 tasses |
| RC2850 | 15 tasses | 16 tasses |

Cuisson du riz

Mise en garde! Ne pas intervenir dans le processus automatique de la manette de contrôle en l'empêchant de basculer sur le mode de chauffage.

Mise en garde! Faire preuve de prudence lors de la manipulation de l'appareil car le

bol de cuisson et les accessoires deviennent chauds pendant le fonctionnement. Ceux-ci peuvent rester chauds pendant un certain temps après leur utilisation.

Mise en garde! De la vapeur peut s'échapper de l'appareil lorsqu'on retire les accessoires ou le couvercle.

- Mesurer la quantité de riz.
- Laver le riz sous l'eau froide pour enlever l'excès d'amidon.

Important: Ne pas utiliser le bol de cuisson pour laver le riz.

- Mettre le riz lavé dans le bol de cuisson (4).
- Ajouter la quantité d'eau requise.
- Lisser la surface du riz avec la cuillère à riz, en s'assurant que tout le riz est recouvert d'eau.
- Placer le bol de cuisson dans l'appareil.
- Assurez-vous que le bol de cuisson est correctement posé et en contact avec la plaque chauffante.
- Mettre le couvercle.
- Brancher le cordon d'alimentation sur une prise électrique adaptée. Le témoin lumineux de maintien au chaud (3) va s'allumer.
- Appuyer sur la manette de contrôle (1) pour démarrer le processus de cuisson. Le témoin lumineux de cuisson (2) va s'allumer.

Le témoin lumineux de cuisson s'éteint lorsque la cuisson est terminée. Le témoin lumineux de maintien au chaud (3) va alors s'allumer automatiquement.

Remarque: Pour un meilleur résultat remuer le riz juste après l'allumage du témoin de maintien au chaud. Le fait de remuer le riz avec la cuillère à riz permet à la vapeur de s'évacuer et de rendre le riz plus moelleux.

Utilisation du panier vapeur

(Sauf RC650)

Mise en garde! Ne pas utiliser le panier vapeur pour cuire de la viande ou de la volaille.

- Mesurer la quantité de riz.
- Laver le riz sous l'eau froide pour enlever l'excès d'amidon.

Important: Ne pas utiliser le bol de cuisson pour laver le riz.

- Mettre le riz lavé dans le bol de cuisson (4).
- Ajouter la quantité d'eau requise.
- Lisser la surface du riz avec la cuillère à riz, en s'assurant que tout le riz est recouvert d'eau.
- Placer le bol de cuisson dans l'appareil.
- Placer les légumes ou le poisson dans le panier vapeur.
- Placer le panier vapeur dans l'appareil.
- Assurez-vous que le bol de cuisson est correctement posé et en contact avec la plaque chauffante.
- Mettre le couvercle.
- Brancher le cordon d'alimentation sur une prise électrique adaptée.
- Le témoin lumineux de maintien au chaud (3) va s'allumer.
- Appuyer sur la manette de contrôle (1) pour démarrer le processus de cuisson.
- Le témoin lumineux de cuisson (2) va s'allumer.

Le témoin lumineux de cuisson s'éteint lorsque la cuisson est terminée. Le témoin lumineux de maintien au chaud (3) va alors s'allumer automatiquement.

Remarque: Pour un meilleur résultat remuer le riz juste après l'allumage du témoin de maintien au chaud. Le fait de remuer le riz avec la cuillère à riz permet à la vapeur de s'évacuer et de rendre le riz plus moelleux.

Mise en garde! Assurez-vous toujours que le contenu du panier vapeur est bien cuit avant de servir.

Nettoyage et entretien

Attention! Débrancher l'appareil, retirer la fiche de la prise de courant et laisser l'appareil refroidir avant son nettoyage ou son entretien.

Attention! Ne pas immerger l'appareil, le cordon ou la fiche dans de l'eau ou tout autre liquide.

- Essuyer l'extérieur avec un chiffon humide.
- Ne pas utiliser de tampons à récurer.
- En cas de besoin, utiliser un détergent doux pour enlever les taches. Ne pas utiliser de nettoyant abrasif ou à base de solvant.
- Ne pas utiliser d'ustensiles en métal sur les surfaces antiadhésives.

Données techniques

| | | RC650 (Type 1) | RC1050 (Type 1) |
|--------------------|----|-------------------|-------------------|
| Tension | | 220-240V, 50/60Hz | 220-240V, 50/60Hz |
| Puissance nominale | W | 294-350 | 336-400 |
| Contenance | L | 0,65 | 1 |
| Poids | kg | 1,55 | 1,675 |

| | | RC1850 (Type 1) | RC1860 (Type 1) |
|--------------------|----|-------------------|-------------------|
| Tension | | 220-240V, 50/60Hz | 220-240V, 50/60Hz |
| Puissance nominale | W | 588-700 | 588-700 |
| Contenance | L | 1,8 | 1,8 |
| Poids | kg | 2,48 | 2,48 |

| | | RC2850 (Type 1) |
|--------------------|----|-------------------|
| Tension | | 220-240V, 50/60Hz |
| Puissance nominale | W | 924-1100 |
| Contenance | L | 2,8 |
| Poids | kg | 3,875 |

Protection de l'environnement



Collecte séparée. Ce produit ne doit pas être jeté avec les déchets domestiques normaux.

Si vous décidez de remplacer ce produit Black & Decker, ou si vous n'en avez plus l'utilité, ne le jetez pas avec vos déchets domestiques. Rendez-le disponible pour une collecte séparée.

- Black & Decker fournit un dispositif permettant de collecter et de recycler les produits Black & Decker lorsqu'ils ont atteint la fin de leur cycle de vie. Pour pouvoir profiter de ce service, veuillez retourner votre produit à un réparateur agréé qui se chargera de le collecter pour nous.
- Pour connaître l'adresse du réparateur agréé le plus proche de chez vous, contactez le bureau Black & Decker à l'adresse indiquée dans ce manuel. Vous pourrez aussi trouver une liste des réparateurs agréés de Black & Decker et de plus amples détails sur notre service après-vente sur le site Internet à l'adresse suivante : www.2helpU.com

Garantie

Black & Decker est confiant dans la qualité de ses produits et vous offre une garantie très étendue.

Ce certificat de garantie est un document supplémentaire et ne peut en aucun cas se substituer à vos droits légaux.

La garantie est valable sur tout le territoire des Etats Membres de l'Union Européenne et de la Zone de Libre Echange Européenne.

Si un produit Black & Decker s'avère défectueux en raison de matériaux en mauvaises conditions, d'une erreur humaine, ou d'un manque de conformité dans les 24 mois suivant la date d'achat, Black & Decker garantit le remplacement des pièces défectueuses, la réparation des produits usés ou cassés ou remplace ces produits à la convenance du client, sauf dans les circonstances suivantes :

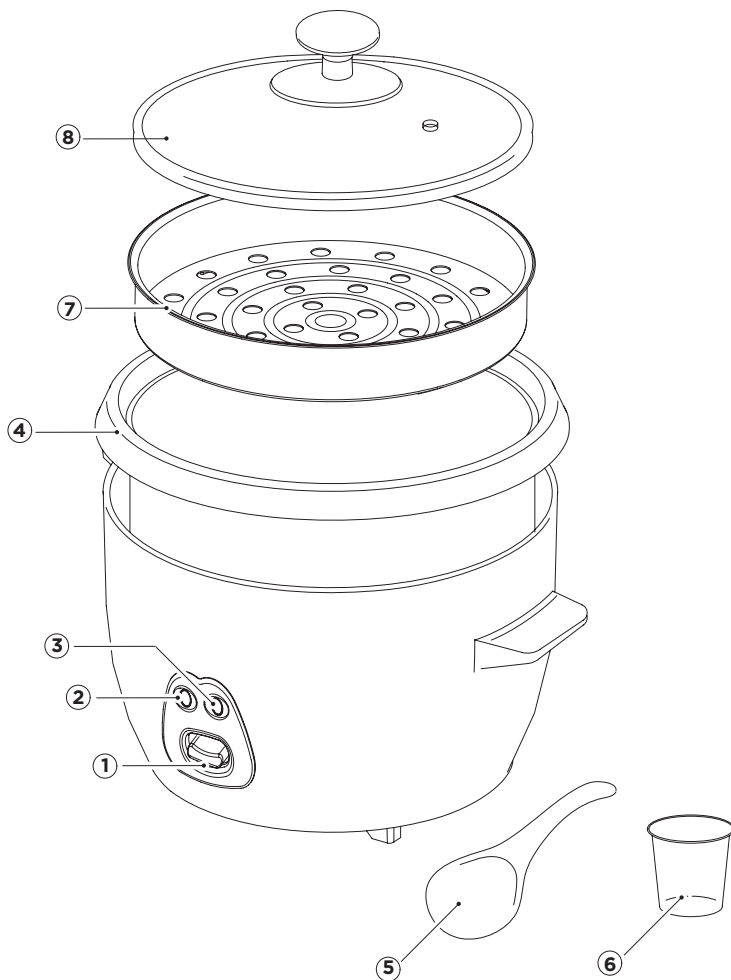
- Le produit a été utilisé dans un but commercial, professionnel, ou a été loué.
- Le produit a été mal utilisé ou avec négligence.
- Le produit a subi des dommages à cause d'objets étrangers, de substances ou à cause d'accidents.
- Des réparations ont été tentées par des techniciens ne faisant pas partie du service technique de Black & Decker.

Pour avoir recours à la garantie, il est nécessaire de fournir une preuve d'achat au vendeur ou à un réparateur agréé. Pour connaître l'adresse du réparateur agréé le plus proche de chez vous, contactez le bureau Black & Decker à l'adresse indiquée dans ce manuel.

Vous pourrez aussi trouver une liste des réparateurs agréés de Black & Decker et de plus amples détails sur notre service après-vente sur le site Internet à l'adresse suivante : www.2helpU.com

Características

Este aparelho inclui algumas ou todas das seguintes características:



- | | |
|-----------------------------------|-------------------------------------|
| 1. Alavanca de controlo | 5. Colher de arroz |
| 2. Indicador de cozedura "COOK" | 6. Copo medidor |
| 3. Indicador manter-quente "WARM" | 7. Tabuleiro a vapor (exceto RC650) |
| 4. Tigela de cozedura | 8. Tapa |

Aviso! O painel de controlo pode parecer diferente do apresentado.

Siga os ícones "WARM" e "COOK" para a localização correta das luzes indicadoras.

Utilização prevista

A sua panela de arroz Black & Decker foi concebida para cozinhar arroz. Este aparelho é para utilização doméstica.

Instruções de segurança



Aviso! Leia todos os avisos de segurança e todas as instruções. Não seguir os avisos e instruções

indicados abaixo pode resultar em choque elétrico, incêndio e/ou lesões graves.

- Leia este manual cuidadosamente antes de utilizar o aparelho.
- A utilização prevista está descrita neste manual. A utilização de qualquer acessório ou peça anexa ou a realização de quaisquer operações com este aparelho que não as recomendadas neste manual de instruções podem representar um risco de lesões pessoais.
- Conserve este manual para referência futura.

Utilização do seu aparelho

Aviso! A temperatura das superfícies acessíveis pode ser elevada quando o aparelho estiver a funcionar.

- Este aparelho não se destina a ser utilizado por pessoas (incluindo crianças) com deficiência física ou mental ou falta de experiência e conhecimento, salvo se receberam supervisão ou instruções relativas à utilização do aparelho por parte da pessoa responsável pela sua segurança.
- As crianças devem ser supervisionadas para assegurar que não brincam com o aparelho.
- Não permita que crianças ou qualquer pessoa que não esteja familiarizada com estas instruções utilize o aparelho.
- Não permita que crianças ou animais se aproximem da área ou toquem no aparelho ou no cabo de alimentação.
- É necessária uma supervisão quando o aparelho está a ser utilizado perto de crianças.
- Não toque nas superfícies quentes.
- Tome sempre as devidas precauções quando utilizar este aparelho.
- Nunca puxe o cabo de alimentação para desligar a ficha da tomada. Mantenha o cabo de alimentação afastado do calor, óleo e extremidades afiadas.
- Não coloque o aparelho em ou perto de fontes de calor ou num forno aquecido.
- Não permita que o cabo de alimentação esteja pendurado na borda do balcão ou mesa.
- Coloque sempre o aparelho numa superfície plana com o espaço livre adequado em todos os lados.
- Não coloque o aparelho abaixo de uma tomada de parede.
- Não coloque o aparelho numa superfície molhada ou escorregadia.
- Não utilize o aparelho perto de materiais inflamáveis ou explosivos.
- Não utilize o aparelho no exterior.

- Proteja sempre o aparelho de água ou humidade excessiva.
- Não mova o aparelho quando está em funcionamento.
- Opere o aparelho apenas com as mãos secas.
- Não utilize o aparelho se estiver descalço.
- Se o cabo de alimentação ficar danificado durante a utilização, desligue de imediato o aparelho da corrente elétrica. Não toque no cabo de alimentação antes de o desligar o aparelho da corrente elétrica.
- Desligue o aparelho da corrente elétrica antes de montar ou desmontar peças e antes da limpeza.
- Deixe o aparelho arrefecer antes de limpar.
- Pode sair vapor da tampa durante a utilização. Posicione sempre a tampa de modo a que a ventilação de vapor esteja afastada do utilizador.
- Coloque sempre o cabo de modo a que não provoque perigo de tropeçar.
- Cozinhe apenas na tigela fornecida.

Após a utilização

- Retire a ficha da tomada antes de abandonar o aparelho e antes de substituir, limpar ou inspecionar quaisquer peças do aparelho.
- Quando não estiver a utilizar o aparelho, deverá guardá-lo num local seco. As crianças não deverão ter acesso a aparelhos guardados.
- As crianças não devem ter acesso a eletrodomésticos armazenados.

Inspeção e reparações

- Antes de o utilizar, verifique a existência de peças danificadas ou com defeito. Verifique peças partidas, interruptores danificados ou quaisquer outras situações que possam afetar o seu funcionamento.
- Não utilize o aparelho se alguma peça estiver danificada ou com defeito.
- Repare ou substitua quaisquer peças danificadas ou com defeito por um agente de reparação autorizado.
- Antes de usar, verifique o cabo de alimentação quanto a sinais de danos e desgaste.
- Não utilize o aparelho se o cabo de alimentação ou a ficha estiverem danificados ou com defeito.
- Se o cabo de alimentação ou ficha estiverem danificados ou com defeito, devem ser reparados por um agente de reparação autorizado, de modo a evitar riscos. Não corte o cabo de alimentação e não tente repará-lo sozinho.
- Nunca tente remover ou substituir quaisquer peças do que as especificadas neste manual.

Segurança elétrica

Antes de usar, verifique se a tensão elétrica corresponde à tensão na placa de características.



Não mergulhe o aparelho, o cabo de alimentação ou a ficha em água ou em qualquer outro líquido.

- Este produto deve ter ligação à terra.
- Se o cabo está danificado, deve ser substituído pelo fabricante ou por um Centro de Assistência Técnica autorizado Black & Decker de modo a evitar um perigo.

Cabos de extensão

- Como o aparelho tem ligação à terra e é de construção de classe I, utilize apenas um cabo de extensão de 3 núcleos.
- Quando utilizar um cabo de extensão certifique-se que está corretamente ligado e classificado para a sua utilização.

Instruções de segurança adicionais para painéis de arroz

- Se entrar água na unidade permita que seque muito bem antes de utilizar novamente o aparelho.
- Certifique-se sempre antes de cozinhar que a placa de aquecimento e a parte de baixo da tigela de cozedura não têm partículas derramadas.
- Mantenha a unidade e a placa de aquecimento limpas e sem partículas estranhas.
- Levante sempre o aparelho utilizando as pegas laterais.
- Não ligue o aparelho enquanto não tiver colocado a tigela de cozedura.
- Não utilize o aparelho para fritar alimentos e não deixe que nenhuma peça da panela de arroz entre em contacto com óleo quente.
- Não obstrua a ventilação de vapor com qualquer artigo.
- Para evitar danificar o revestimento anti-aderente do aparelho utilize sempre

a colher de arroz de plástico ou outros utensílios de borracha ou madeira.

Riscos residuais

Podem surgir riscos residuais adicionais quando utiliza o aparelho, que podem não estar incluídos nos avisos de segurança anexos. Estes riscos podem surgir da má utilização, utilização prolongada, etc..

Mesmo com a aplicação das regras de segurança relevantes e a implementação de dispositivos de segurança, não podem ser evitados certos riscos residuais. Estes incluem:

- Lesões causadas por tocar em peças rotativas/móveis.
- Lesões causadas quando substitui quaisquer peças, lâminas ou acessórios.
- Lesões causadas por utilização prolongada de um aparelho. Quando utiliza um aparelho por períodos prolongados, certifique-se de que faz intervalos regulares.
- Perda de audição.

Desembalar

- Retire todas as embalagens do aparelho.
- Lave a tigela de cozedura, a tampa, o tabuleiro a vapor, o copo medidor e a colher de servir em água quente com espuma antes da primeira utilização.

Utilização

Medir o arroz

O copo medidor (6) pode ser utilizado para medir o arroz. Cada copo de arroz cru dá normalmente duas tigelas de arroz cozinhado. Não exceda as quantidades indicadas na seguinte tabela.

- Meça o arroz com o copo medidor (6).

Determinar a quantidade de água necessária

A quantidade de água necessária pode ser determinada na seguinte tabela.

- Meça a quantidade de água com o copo medidor (6), de acordo com a tabela abaixo.

| | Quantidade de arroz | Quantidade de água |
|--------|---------------------|--------------------|
| RC650 | 1 copo | 2 copo |
| | 2 copo | 3 copo |
| | 3 copo | 3.5 copo |
| | Quantidade de arroz | Quantidade de água |
| RC1050 | 1 copo | 2 copo |
| | 2 copo | 3 copo |
| | 3 copo | 3.5 copo |
| | 4 copo | 5 copo |
| | 5 copo | 6 copo |
| | Quantidade de arroz | Quantidade de água |
| RC1850 | 1 copo | 2 copo |
| | 2 copo | 3 copo |
| RC1860 | 3 copo | 3.5 copo |
| | 4 copo | 5 copo |
| | 6 copo | 7 copo |
| RC2850 | 8 copo | 9 copo |
| | 10 copo | 11 copo |
| | 15 copo | 16 copo |

Cozinhar arroz

Aviso! Não interfira com a ação automática da alavanca de controlo evitando que ela mude para o modo quente.

Aviso! Tenha cuidado quando manusear o aparelho pois a tigela de cozedura e os

acessórios ficam quentes durante a utilização. Eles permanecem quentes durante algum tempo após a utilização.

Aviso! Pode sair vapor da unidade quando os acessórios ou a tampa são retirados.

- Meça o arroz.
- Lave o arroz muito bem em água corrente fria para remover o excesso de amido.

Importante: Não utilize a tigela de cozedura para lavar o arroz.

- Coloque o arroz lavado na tigela de cozedura (4).
- Adicione a quantidade de água necessária.
- Alise a superfície do arroz com a colher de arroz, para assegurar que todo o arroz está debaixo de água.
- Coloque a tigela de cozedura no aparelho.
- Certifique-se que a tigela de cozedura está corretamente colocada, com um bom contacto com a placa de aquecimento.
- Coloque a tampa.
- Ligue o cabo de alimentação a uma tomada elétrica apropriada. O indicador manter quente (3) irá acender.
- Pressione a alavanca de controlo (1) para começar o processo de cozedura. O indicador de cozedura (2) irá acender.

indicador de cozedura apagará quando o processo de cozedura terminar. Depois disso o indicador manter quente (3) irá acender automaticamente.

Nota: Para melhores resultados, mexa o arroz logo a seguir ao indicador manter quente acender. Mexer o arroz com a colher de arroz permite que o vapor saia. Vai obter com isto um arroz solto.

Utilizar o tabuleiro a vapor

(Exceto RC650)

Aviso! Não utilize o tabuleiro a vapor para cozinhar carne ou aves.

- Meça o arroz.
- Lave o arroz muito bem em água corrente fria para remover o excesso de amido.

Importante: Não utilize a tigela de cozedura para lavar o arroz.

- Coloque o arroz lavado na tigela de cozedura (4).
- Adicione a quantidade de água necessária.
- Alise a superfície do arroz com a colher de arroz, para assegurar que todo o arroz está debaixo de água.
- Coloque a tigela de cozedura no aparelho.
- Coloque os legumes ou peixe no tabuleiro a vapor.
- Coloque o tabuleiro a vapor no aparelho.
- Certifique-se que a tigela de cozedura está corretamente colocada, com um bom contacto com a placa de aquecimento.
- Coloque a tampa.
- Ligue o cabo de alimentação a uma tomada eléctrica apropriada.
- O indicador manter quente (3) irá acender.
- Pressione a alavanca de controlo (1) para começar o processo de cozedura.
- O indicador de cozedura (2) irá acender.

O indicador de cozedura apagará quando o processo de cozedura terminar. Depois disso o indicador manter quente (3) irá acender automaticamente.

Nota: Para melhores resultados, mexa o arroz logo a seguir ao indicador manter-quente acender. Mexer o arroz com a colher de arroz permite que o vapor saia.

Vai obter com isto um arroz solto.

Aviso! Certifique-se sempre que o conteúdo do tabuleiro a vapor está bem cozinhado antes de servir.

Limpeza e manutenção

Aviso! Antes da limpeza e manutenção, desligue o aparelho, retire a ficha da tomada e deixe o aparelho arrefecer.

- Não lave qualquer peça do aparelho numa máquina de lavar louça.
- Limpe a parte exterior do aparelho com um pano húmido.
- Não utilize esfregões.
- Se necessário, utilize um detergente suave para remover depósitos. Não utilize nenhum agente de limpeza abrasivo ou à base de solvente.

Aviso! Não mergulhe o aparelho em água ou qualquer outro líquido.

Dados técnicos

| | | RC650 (Tipo 1) | RC1050 (Tipo 1) |
|------------------|----|-------------------|-------------------|
| Tensão | | 220-240V, 50/60Hz | 220-240V, 50/60Hz |
| Potência entrada | W | 294-350 | 336-400 |
| Capacidade | l | 0.65 | 1 |
| Peso | kg | 1.55 | 1.675 |

| | | RC1850 (Tipo 1) | RC1860 (Tipo 1) |
|------------------|----|-------------------|-------------------|
| Tensão | | 220-240V, 50/60Hz | 220-240V, 50/60Hz |
| Potência entrada | W | 588-700 | 588-700 |
| Capacidade | l | 1.8 | 1.8 |
| Peso | kg | 2.48 | 2.48 |

| | | RC2850 (Tipo 1) |
|------------------|----|-------------------|
| Tensão | | 220-240V, 50/60Hz |
| Potência entrada | W | 924-1100 |
| Capacidade | l | 2.8 |
| Peso | kg | 3.875 |

Proteger o ambiente



Recolha separada. Este produto não deve ser eliminado juntamente com os resíduos domésticos convencionais.

Se algum necessitar de substituir o seu produto Black & Decker, ou se já não o voltar a utilizar, não o elimine juntamente com os outros resíduos domésticos. Disponibilize este produto para recolha separada.

- A Black & Decker disponibiliza uma instalação para reciclagem de produtos Black & Decker em fim de ciclo de vida. Este serviço é fornecido gratuitamente. Para beneficiar deste serviço, devolva o seu produto a qualquer agente reparador autorizado, que fará a recolha em seu nome.
- Pode verificar a localização do agente reparador mais próximo, contactando os escritórios locais Black & Decker através do endereço indicado neste manual. Como alternativa, está disponível na Internet uma lista de agentes reparadores autorizados Black & Decker, dados completos do serviço de pós-venda e contactos em: www.2helpU.com.

Garantia

A Black & Decker acredita na qualidade dos seus produtos e oferece uma garantia excelente.

Esta declaração de garantia é um complemento aos seus direitos estatutários e não os compromete em caso algum.

A garantia é válida nos territórios dos Estados Membros da União Europeia e na Associação Europeia de Comércio Livre.

Se um produto Black & Decker se avariar devido a materiais com defeito, problemas de fabrico ou faltas de conformidade no período de 24 meses a partir da data de compra, a Black & Decker garante a substituição das peças avariadas, a reparação de produtos sujeitos a desgaste normal ou a substituição de tais produtos, no sentido de de minimizar o inconveniente causado ao cliente, salvo se:

- O produto for utilizado para fins comerciais, profissionais ou de aluguer;
- O produto for sujeito a má utilização ou negligência;
- O produto tiver sido danificado por objetos, substâncias ou acidentes estranhos;
- Forem tentadas reparações por pessoas que não os agentes reparadores autorizados ou o pessoal da assistência técnica da Black & Decker.

Para reclamar a garantia, terá de apresentar o comprovativo da compra ao vendedor ou agente reparador autorizado. Pode verificar a localização do agente reparador mais próximo, contactando os escritórios locais Black & Decker através do endereço indicado neste manual.

Como alternativa, está disponível na Internet uma lista de agentes reparadores Black & Decker, dados completos do serviço de pós-venda e contactos em: www.2helpU.com.

حماية البيئة

الضمان

تثق بلاك أند ديكر في جودة منتجاتها وتعرض ضماناً طويلاً الأجل.

بيان الضمان هذا يكون بالإضافة إلى حقوقك التي يمنحها القانون ولا يدخل بها بأي حال من الأحوال.

يسري الضمان في أقاليم الدول الأعضاء في الاتحاد الأوروبي ومنطقة التجارة الحرة الأوروبية.

في حالة وجود خلل في منتج بلاك أند ديكر بسبب عيب في المواد أو الصناعة أو عدم التوافق مع المعايير، خلال 24 شهراً من تاريخ الشراء، تضمن بلاك أند ديكر استبدال الأجزاء المعيبة وإصلاح المنتجات مع مراعاة التآكل والبلى الطبيعي أو استبدال هذه المنتجات لضمان أقل إزعاج للعميل ما لم:

- ◀ يتم استخدام المنتج في أغراض تجارية أو مهنية أو أغراض تأجير؛
- ◀ يتعرض المنتج لسوء الاستخدام أو الإهمال؛
- ◀ يتعرض المنتج للتلف نتيجة أشياء أو مواد غريبة أو حوادث؛
- ◀ يتم محاولة إصلاح المنتج بواسطة أشخاص غير وكلاء الصيانة المعتمدين أو فريق الصيانة التابع لشركة بلاك أند ديكر.

لتقديم مطالبة بموجب الضمان، سوف تحتاج إلى تقديم دليل الشراء للبائع أو وكيل الصيانة المعتمد. ويمكنك التعرف على موقع أقرب وكيل صيانة معتمد من خلال الاتصال على مكتب بلاك أند ديكر المحلي في العنوان الموضح في هذا الدليل.

وبدلاً من ذلك، توجد قائمة بوكلاء الصيانة المعتمدين التابعين لشركة بلاك أند ديكر والتفاصيل الكاملة لخدمات ما بعد البيع ووسائل الاتصال الخاصة بنا على الإنترنت على الموقع الإلكتروني: www.2helpU.com.

الجمع المنفصل. يلزم عدم التخلص من هذا المنتج مع القمامة المنزلية العادية.



إذا لزم في يوم من الأيام استبدال منتج بلاك أند ديكر الخاص بك، أو إذا لم تعد تستخدمه، فلا تتخلص منه مع القمامة المنزلية الأخرى، بل تأكد من إتاحة هذا المنتج للجمع المنفصل.

- توفر شركة بلاك أند ديكر مرفق لإعادة تدوير منتجات بلاك أند ديكر بمجرد وصولها إلى نهاية عمرها وعدم صلاحيتها للعمل. ويتم تقديم هذه الخدمة مجاناً. للاستفادة من هذه الخدمة، يرجى إعادة المنتج إلى أي وكيل صيانة معتمد والذي سوف يتولى بدوره جمع المنتجات نيابة عنا.

- يمكنك التعرف على موقع أقرب وكيل صيانة معتمد من خلال الاتصال على مكتب بلاك أند ديكر المحلي في العنوان الموضح في هذا الدليل. وبدلاً من ذلك، توجد قائمة بوكلاء الصيانة المعتمدين التابعين لشركة بلاك أند ديكر والتفاصيل الكاملة لخدمات ما بعد البيع ووسائل الاتصال الخاصة بنا على الإنترنت على الموقع الإلكتروني: www.2helpU.com.

تحذيراً! احرص دوماً على طهي محتويات وعاء البخار بشكل جيد قبل تقديمها.

التنظيف والصيانة

تحذيراً! قبل التنظيف والصيانة، قم بإيقاف تشغيل الجهاز، وفصل المقبس من مأخذ التوصيل، واترك الجهاز فترة ليبرد.

تحذيراً! لا تغمس الجهاز أو طقم الأسلاك أو المقبس في الماء أو أي مادة سائلة أخرى.

- امسح الجزء الخارجي بقطعة قماش رطبة.
- لا تستخدم الاسفنجة الخشنة الخاصة بغسيل الأطباق.
- عند الضرورة، استخدم مادة منظفة خفيفة لإزالة البقع. واحرص على عدم استخدام أي مادة كاشطة أو منظفات مصنعة من مواد مذيبة.

البيانات الفنية

| RC1050 (النوع ١) | RC650 (النوع ١) | | |
|--------------------------|--------------------------|-----|-------------------------|
| ٢٢٠-٢٤٠ فولت، ٦٠/٥٠ هرتز | ٢٢٠-٢٤٠ فولت، ٦٠/٥٠ هرتز | | الجهد الكهربائي |
| ٤٠٠-٣٣٦ | ٣٥٠-٢٩٤ | واط | الجهد الكهربائي الداخلي |
| ١ | ٠,٦٥ | لتر | السعة |
| ١,٦٧٥ | ١,٥٥ | كجم | الوزن |

| RC1850 (النوع ١) | RC1850 (النوع ١) | | |
|--------------------------|--------------------------|-----|-------------------------|
| ٢٢٠-٢٤٠ فولت، ٦٠/٥٠ هرتز | ٢٢٠-٢٤٠ فولت، ٦٠/٥٠ هرتز | | الجهد الكهربائي |
| ٧٠٠-٥٨٨ | ٧٠٠-٥٨٨ | واط | الجهد الكهربائي الداخلي |
| ١,٨ | ١,٨ | لتر | السعة |
| ٢,٤٨ | ٢,٤٨ | كجم | الوزن |

| RC2850 (النوع ١) | | | |
|--------------------------|-----|--|-------------------------|
| ٢٢٠-٢٤٠ فولت، ٦٠/٥٠ هرتز | | | الجهد الكهربائي |
| ١١٠٠-٩٢٤ | واط | | الجهد الكهربائي الداخلي |
| ٢,٨ | لتر | | السعة |
| ٣,٨٧٥ | كجم | | الوزن |

استخدام وعاء البخار (باستثناء الطراز RC650)

تحذيراً! لا تستخدم وعاء البخار في طهي اللحم أو الدجاج.

- قم بعبء الأرز.
- اغسل الأرز جيداً تحت الماء الجاري البارد لإزالة النشا الزائدة.
- ملاحظة هامة: لا تستخدم وعاء الطهي لغسل الأرز.
- ضع الأرز المغسول في وعاء الطهي (٤).
- أضف المقدار المطلوب من الماء.
- استخدم ملعقة الأرز لتسوية سطح الأرز، مع التأكد من وجود الماء أعلى الأرز.
- ضع وعاء الطهي في الجهاز.
- ضع الخضروات أو السمك في وعاء البخار.
- ضع وعاء البخار في الجهاز.
- احرص على تركيب وعاء الطهي بشكل صحيح بحيث يكون متصلاً بلوح التسخين بشكل جيد.
- ضع الغطاء.
- وصل سلك التوصيل بموصل طاقة كهربائية مناسب.
- سوف يضيء مؤشر الاحتفاظ بالسخونة (٣).
- اضغط على زر التحكم (١) لبدء عملية الطهي.
- سوف يضيء مؤشر الطهي (٢).

سوف ينطفئ مؤشر الطهي عند انتهاء عملية الطهي. وبعد ذلك، سوف يضيء مؤشر الاحتفاظ بالسخونة (٣) تلقائياً.

ملاحظة: للحصول على أفضل النتائج/ حرك الأرز بعد أن يضيء مؤشر الاحتفاظ بالسخونة مباشرة. حيث إن تحريك الأرز باستخدام ملعقة الأرز يعمل على خروج البخار، ويساعد ذلك في جعل الأرز أملس وأفضل.

- قم بعبارة الأرز.
- اغسل الأرز جيداً تحت الماء الجاري البارد لإزالة النشا الزائدة.
- ملاحظة هامة: لا تستخدم وعاء الطهي لغسل الأرز.
- ضع الأرز المغسول في وعاء الطهي (٤).
- أضف المقدار المطلوب من الماء.
- استخدم ملعقة الأرز لتسوية سطح الأرز، مع التأكد من وجود الماء أعلى الأرز.
- ضع وعاء الطهي في الجهاز.
- احرص على تركيب وعاء الطهي بشكل صحيح بحيث يكون متصلاً بلوح التسخين بشكل جيد.
- ضع الغطاء.
- وصل سلك التوصيل بموصل طاقة كهربية مناسب. سوف يضيء مؤشر الاحتفاظ بالسخونة (٣).
- اضغط على ذراع التحكم (١) لبدء عملية الطهي. سوف يضيء مؤشر الطهي (٢).
- سوف ينطفئ مؤشر الطهي عند انتهاء عملية الطهي. وبعد ذلك، سوف يضيء مؤشر الاحتفاظ بالسخونة (٣) تلقائياً.
- ملاحظة: للحصول على أفضل النتائج/ حرك الأرز بعد أن يضيء مؤشر الاحتفاظ بالسخونة مباشرة، حيث إن تحريك الأرز باستخدام ملعقة الأرز يعمل على خروج البخار. ويساعد ذلك في جعل الأرز أملس وأفضل.

| | | |
|----------------------------|------------|------------|
| RC١٥٠ | كمية الأرز | كمية الماء |
| | كوب | كوبان |
| | كوبان | ٣ أكواب |
| RC١٠٥٠ | ٣ أكواب | ٣,٥ كوب |
| | كمية الأرز | كمية الماء |
| | كوب | كوبان |
| | كوبان | ٣ أكواب |
| | ٣ أكواب | ٣,٥ كوب |
| | ٤ أكواب | ٥ أكواب |
| RC١٨٥٠ RC١٨٦٠ RC٢٨٥٠ | ٥ أكواب | ٦ أكواب |
| | كمية الأرز | كمية الماء |
| | كوب | كوبان |
| | كوبان | ٣ أكواب |
| | ٣ أكواب | ٣,٥ كوب |
| | ٤ أكواب | ٥ أكواب |
| | ٦ أكواب | ٧ أكواب |
| | ٨ أكواب | ٩ أكواب |
| | ١٠ أكواب | ١١ أكواب |
| | ١٥ أكواب | ١٦ أكواب |

طهي الأرز

تحذير! لا تتدخل في العمل الآلي لذراع التحكم بأن تمنعه من التبديل إلى وضع السخونة.

تحذير! توخ الحذر عند مسك الجهاز باليد حيث يسخن وعاء الطهي والملحقات أثناء الاستخدام. وقد تبقى ساخنة لبعض الوقت بعد الاستخدام.

تحذير! قد يخرج البخار من الوحدة في حالة إزالة الملحقات أو الغطاء.

- تعليمات سلامة إضافية لأجهزة طهي الأرز
- في حالة دخول ماء إلى الوحدة، اترك الجهاز حتى يجف تماماً قبل استخدامه مرة أخرى.
- تحقق دائماً من أن من أن لوح التسخين وقاع الإناء العميق المخصص للطهي خاليان من أي فتات يمكن أن تكون قد سقطت فيهما
- حافظ على نظافة لوح التسخين نظيفاً وخالياً من أي فتات. وحافظ دائماً على نظافة الجهاز.
- لا تحمل الجهاز إلا من المقابض الجانبية .
- لا تبدأ تشغيل الجهاز قبل أن تضع الإناء العميق المخصص للطهي.
- لا تستخدم وعاء طهي الأرز في أغراض القلي، ولا تدع الزيت الساخن يمس أي جزء من جهاز طهي الأرز.
- لا تقم بسد فتحة البخار بأي مادة.
- للعمل على حماية طبقة مقاومة الالتصاق في الجهاز من التلف، احرص دوماً على استخدام ملعقة الأرز البلاستيكية أو الأدوات المطاطية أو الخشبية.

إزالة التغليف

- قم بإزالة كل مواد التغليف من الجهاز.
- اغسل وعاء الطهي والغطاء وعاء البخار وكوب العيار والمعلقة في ماء دافئ بالصابون قبل استخدامها في المرة الأولى.

الاستخدام

عيار الأرز

- يمكن استخدام كوب العيار (٦) لعيار الأرز. ولعمل طبقين من الأرز المطبوخ، يتم استخدام كوب واحد تقريباً من الأرز غير المطبوخ. لا تتجاوز الكميات المشار إليها في الجدول التالي.
- قم بعيار الأرز باستخدام كوب العيار (٦).

تحديد كمية الماء المطلوبة

- يمكن تحديد مقدار الماء المطلوب في الجدول التالي.
- قم بعيار كمية الماء باستخدام كوب العيار (٦) وفقاً للجدول التالي.

المخاطر المتبقية

- قد تنشأ مخاطر أخرى عند استخدام الجهاز، وقد تكون غير شمولية في تحذيرات السلامة المرفقة. وقد تنتج هذه المخاطر بسبب سوء الاستخدام أو الاستخدام لفترة ممتدة، وما إلى ذلك.
- وحتى مع تطبيق لوائح السلامة ذات الصلة واستخدام أجهزة السلامة، لا يمكن تجنب بعض المخاطر، ويشمل ذلك:

- احرص على جفاف يديك عند تشغيل الجهاز.
- لا تستخدم الجهاز إذا كانت قدمك عاريتين.
- في حالة تلف سلك توصيل الطاقة أثناء الاستخدام، قم بفصل الجهاز من موصل الطاقة على الفور. ولا تلمس سلك توصيل الطاقة قبل فصله من موصل الطاقة.
- قم بفصل الجهاز من سلك توصيل الطاقة قبل تركيب أو فك أجزاء وقبل التنظيف.
- اترك الجهاز فترة ليبرد قبل التنظيف.
- قد يخرج البخار من الغطاء أثناء الاستخدام. احرص دوماً على وضع الغطاء بحيث يتم صرف البخار بعيداً عن المستخدم.
- قم بتوجيه السلك بعناية بحيث لا يتعثر به أحد.
- لا تظهو سوى في الوعاء المتوفر.

السلامة الكهربائية

قبل الاستخدام، تحقق من مطابقة الجهد الكهربائي للأسلاك الرئيسية مع الجهد الكهربائي الموجود على لوحة التصنيف.

لا تفحص الجهاز أو سلك توصيل الطاقة أو القابس في



الماء أو أي سائل آخر.

- يجب تأريض هذا الجهاز.
- في حالة تلف سلك التوصيل، فيجب استبداله بواسطة المصنِّع أو بواسطة مركز خدمة بلانند أند ديكر المعتمد لتجنب وقوع مخاطر.

كابلات التمديد

- نظراً لأن الجهاز مؤرض ومن الفئة ١، لا تستخدم سوى كابل تمديد بثلاثة مخارج.
- عند استخدام كابل تمديد، احرص على توصيله بالسلك بشكل صحيح وعلى أن يكون ملائماً للاستخدام.

بعد الاستخدام

- قم بإزالة القابس من مأخذ التوصيل وارك الجهاز فترة ليبرد قبل أن تتركه دون مراقبة وقبل تغيير أو تنظيف أو فحص أي أجزاء في الجهاز.
- في حالة عدم الاستخدام، يجب تخزين الجهاز في مكان جاف.
- يجب عدم السماح للأطفال بالوصول إلى الجهاز.

الفحص والإصلاح

- افحص الجهاز قبل الاستعمال للتأكد من عدم وجود أجزاء تالفة أو معيبة قبل استخدامه. تأكد من عدم وجود أية أجزاء مكسورة أو مفاتيح تالفة أو أية ظروف أخرى قد تؤثر على عمل الجهاز.
- لا تستخدم الجهاز في حالة وجود تلف أو عيب بأي من الأجزاء.

الاستخدام المقصود

الغرض من استخدام جهاز طهي الأرز من بلاك آند ديكر هو طهي الأرز. هذا الجهاز مخصص للاستخدام المنزلي فقط.

تعليمات السلامة



تحذيراً! اقرأ كافة تحذيرات وتعليمات السلامة. قد يؤدي

عدم الالتزام بالتحذيرات والتعليمات الواردة أدناه

إلى صدمة كهربية أو حرق و/أو إصابة خطيرة.

اقرأ جميع محتويات هذا الكتيب بعناية قبل

استخدام الجهاز.

• يحتوي هذا الكتيب على وصف للاستخدام المخصص

له هذا الجهاز. وقد يؤدي استخدام أي من

الإكسسوارات أو الملحقات أو القيام بأية عملية

باستخدام الجهاز بخلاف تلك الموصى بها في كتيب

التعليمات إلى خطر الإصابة الجسدية.

• احتفظ بهذا الكتيب للرجوع إليه مستقبلاً.

استخدام الجهاز

تحذير! قد تكون درجة حرارة الأسطح الظاهرة من الجهاز مرتفعة

أثناء تشغيل الجهاز.

• هذا الجهاز غير مخصص للاستخدام من قبل الأشخاص (بما

في ذلك الأطفال) الذين يعانون من نقص في القدرات البدنية

أو الحسية أو العقلية، أو من نقص في الخبرة والمعرفة، إلا في

حالة الإشراف عليهم أو توجيههم فيما يتعلق باستخدام

الجهاز من قبل الشخص المسؤول عن سلامتهم.

• يجب مراقبة الأطفال لضمان عدم عبثهم بالجهاز.

• لا تسمح للأطفال أو أي شخص ليس لديه معرفة بالتعليمات باستخدام الجهاز.

• لا تسمح للأطفال أو الحيوانات بالاقتراب من منطقة العمل أو ملامسة الجهاز أو سلك توصيل الطاقة.

• يجب مراقبة الأطفال عن كثب عن استخدام الجهاز بالقرب منهم.

• لا تلمس الأسطح الساخنة.

• توخ الحذر دوماً عند استخدام الجهاز.

• لا تسحب سلك الطاقة لفصل القابض من مأخذ التوصيل. وقم بإبعاد سلك الطاقة عن الحرارة والزيت والحواف الحادة.

• لا تضع الجهاز في أو بالقرب من مصادر الحرارة أو في فرن ساخن.

• لا تدع سلك الطاقة معلقاً على حافة طاولة العمل.

• ضع الجهاز دوماً على سطح مستو مع ترك مساحة خالية كافية من جميع الأطراف.

• لا تضع الجهاز أسفل مأخذ التوصيل.

• لا تضع الجهاز على سطح مبتل أو رلق.

• لا تستخدم الجهاز بالقرب من مواد قابلة للاشتعال أو الانفجار.

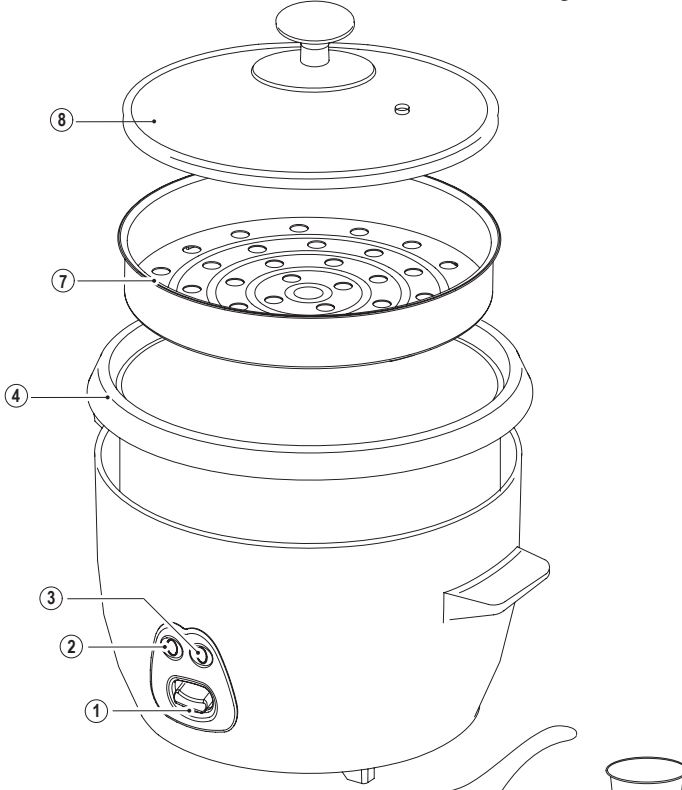
• لا تستخدم الجهاز خارج المنزل.

• قم دوماً بحماية الجهاز من الماء أو الرطوبة الزائدة.

• لا تحرك الجهاز أثناء الاستخدام.

الخصائص

يتضمن هذا الجهاز بعض أو جميع الخصائص التالية:



- | | | | |
|----------------------------------|---|--------------------------------------|---|
| 1. ذراع تحكم | 6 | 5. ملعقة أرز | 5 |
| 2. مؤشر طهي "COOK" | | 6. كوب عيار | |
| 3. مؤشر الاحتفاظ بالسخونة "WARM" | | 7. وعاء بخار (باستثناء الطراز RC650) | |
| 4. وعاء طهي | | 8. غطاء | |

تحذير! قد تبدو لوحة التحكم مختلفة عن اللوحة المعروضة.

اتبع الرموز "WARM" و "COOK" للوصول إلى الموقع الصحيح لأضواء المؤشر.

Names & Addresses for Black & Decker Service Concessionaries

ALGERIA: SARL Outillage Corporation, After Sale Service Center-08, Rue Mohamed Boudiaf - Cheraga, Algiers, Algeria, Tel: +213 21 375131, Fax: +213-0-369667. **AZERBAIJAN:** Kontakt - NN LLC, M.Qashqay 43, Baku, Azerbaijan Az1000. Tel: +994 12 4082050, Fax: +994 12 4117090. **BAHRAIN:** Alfouz Services Co. WLL., P.O. Box 26562, Tubli, Manama, Tel: +973-17783562/17879987, Fax: +973-17783479. Kewalram & Sons Co. WLL P.O. Box 84, Manama, Kingdom of Bahrain, Tel: +973-17213110/ 17210617/ 17210619, Fax: +973-17213211/ 17210627. **BANGLADESH:** Ultra Corporation, 8, Kushol Centre, Uttara, Dhaka 1230. Tel: +880-2-8922144, Fax: +880-2-8951339. **EGYPT:** Anasia - Egypt for Trading S.A.E., 9, Mostafa Refaat St., Sheraton Heliopolis Bldgs., Cairo, Egypt, P.O.Box 2443 Heliopolis 11361, Tel. : (202) 268 4159, Fax.: (202) 268 4169, www.anasia.com. **ETHIOPIA:** Seif Sherif Trade PLC -Arada Sub City, Kebele 01-02, Global Insurance Bldg., 2nd Flr. Room 43, P.O.Box 2525, Addis Ababa, Ethiopia, Tel: 00-251-11-1563968/ 1563969, Fax: 00-251-11-1558009. **INDIA:** Gryphon Appliances Ltd., D-6/4, Okhla Industrial Area, Phase-I, New Delhi-110020, Tel: +91-11-46731111, Fax: +91-11-46731111. **JORDAN:** Bashiti Hardware, 93 King Abdullah 2nd St., Opp ELBA House, P.O. Box 3005, Tel: +962-6-5349098 ext.11, Fax: +962-6-5330731. **KENYA:** Leading Concepts, P.O. Box: 40877-00100, Nairobi, Kenya. Tel: +254 20 690 5000, Fax: +254 20 690 5111. **KUWAIT:** Al Omar Technical Co., P.O. Box 4062, Safat 13041, Kuwait, Tel: 00965-24848595/ 24840039, Fax: 00965-24845652. The Sultan Centre, P.O. Box 26567-13126 Safat, Kuwait, Tel: 00965-24343155 Etn. 432, Fax: 00965-24319071. **LEBANON:** Aces Service Centre, P.O. Box 90-102, Nahr El Mot, Seaside Highway, Pharaon Building, Beirut. Tel: 00961-1-898989, Fax: 00961-1-245880. **LIBYA:** Homeworld Co., Building No.5, Senidal St., Amr Ibn Elaas Road, Benghazi, Libya. Tel: 00218-61-9094183. Service Center1 - Benghazi: Tel: +218-061-3383994, Fax: +218-092-7640688, Service Center2 - Tripoli: Tel: +218-021-3606430, Fax: +218-092-6514813. **MALTA:** John G Cassar Ltd. 36-Victory Street, Qormi QRM 06, Malta. Tel: +356-21493251, Fax: +356-21483231. **MAURITIUS:** J.M. Goupille & Co. Ltd., Rogers Industrial Park 1, Riche Terre, Mauritius, Tel: +230 206 9450 / +230 207 1700, Fax: +230 206 9474/ +230 248 3188. **MOROCCO:** UATS 26 Rue Ennarjisse, Hay Erraihan, Beausejour - Hay Hassani-Casablanca, Morocco. Tel: +212 522945114, Fax: +212 522942442. **NEPAL:** Universal Electrocrom, Tripureshwor, Kathmandu, Nepal. Tel:+977-1-4265191. **NIGERIA:** Dana Electronics Ltd. (Lagos) 116/ 120, Apapa Oshodi Express Way, Isolo, Lagos, Nigeria. Tel: +234-17431818/ +234-8037767774/ +234-8057445477. (Abuja) 18, A.E. Ekukinam Street, Off Obsfemi Awolowo Road, Utako, Abuja, Nigeria. Tel: +234-8032276101/ +234-8037767774. (Kano) 9A - Mai Malari Road, Bompai, Kano, Nigeria. Tel: +234-8053294947/ +234-8037767774. **OMAN:** Oman Marketing & Service Co. (Omasco), P.O. Box 2734, Behind Honda Showroom, Wattayah, Oman, Tel: +968-24560232/ 24560255, Fax: +968-24560993. Oman Marketing & Service Co. (Omasco), Al Ohi, Sohar, Oman, Tel: +968-26846379, Fax: +968-26846379. Oman Marketing & Service Co. (Omasco) - Sanaya, Salalah, Oman, Tel: 00968-23212290, Fax: +968-23210936. **PAKISTAN:** Ammar Service & Spares - 60-Bank Arcade, Serai Road, Karachi, Pakistan, Tel: 0092-21-32426905, Fax: 0092-21-32427214. **PHILIPPINES:** 476 J. P. Rizal St., cor Kakarong St. Bryg Olympia, Makati City, Tel: +632 403-5698. **QATAR:** Al Muftah Service Centre - Al Wakrah Road, P.O. Box 875, Doha, Qatar. Tel: 00974-4650880/ 4650110/ 4446868, Fax: 00974-4441415/ 4662599. **SAUDI ARABIA:** (Al Khobar) Al-Suwaiket Catering & Trading Co., P.O.Box 4228, King A.Aziz Street, Al Khobar, Tel: +966-3-8591088, Fax: +966-3-8595648. Fawaz Ebrahim Al Zayani Trading Est. P.O. Box 76026, Al Khobar #31952, Tel: +966-3-8140914, Fax: +966-3-8140824. (Jeddah) Banaja Trading Co. Ltd, P.O. Box 366, Jeddah-21411, Tel: +966-2-6511111, Fax: +966-2-6503668. (Riyadh) Banaja Trading Co. Ltd, P.O. Box 566, Riyadh-11421, Tel: 00966-1-4124444, Fax: +966-1-4033378. **SOUTH AFRICA:** Trevco Power Tool Service 14 Steenbok Street, Koedoespoort, 0186, Pretoria, South Africa, Tel: +27-86-1873826, Fax: +27-86-5001771. **SRI LANKA:** Delmege Construction Products (Pvt) Ltd., No 101 Vinayalankara Mawatha, Colombo-10, Sri Lanka, Tel: +94-11-2693361-7, Service hotline: +94-77-2211111. **TUNISIA:** Soci t  Tunisienne De Manutention - Rue de la Physique, Nouvelle Zone Industrielle de Ben Arous-2013 Tunisie, Tel: +216-71-386102/ 380620, Fax: +216-71380412 ext 216. **UGANDA:** Anisuma Investment and Services Ltd., J R complex, Ware House No.5, Plot No 101, 3rd Street Industrial Area, Jinja Road, Kampala, Tel: +256-414237106. **UAE: (Abu Dhabi)** Light House Electrical, P.O. Box 120, Abu Dhabi. Tel: +971-2-6726131, Fax: +971-2-6720667. (Al Ain) Zillion Equipment and Spare Parts Trading LLC, P.O. Box 19740, Opp. Bin Sadal/Trimix Redymix Sanaiya, Al Ain. Tel: +971-3-7216690, Fax:+971-3-7216103 (Dubai) Black & Decker (Overseas) GmbH, P.O. Box 5420, Dubai, Tel: +971-4-8127400/ 8127406, Fax: +971-4-2822765. (Musaffah) Light House Electrical, P.O. Box 120, Abu Dhabi, Tel: +971-2-5548315, Fax: +971-2-5540461. (Sharjah) Mc Coy Middle East LLC, P.O. Box 25793, Sharjah, Tel: +971-6-5395931, Fax: +971-6-5395932. (Ras Al Khaimah) Mc Coy Middle East LLC, P.O.Box 10584, Ras Al Khaimah, Tel: +971-7-2277095, Fax: +971-7-2277096. **YEMEN:** (Aden) Muala St., Tel: +967 2 222670, Fax: +967 2 222670. (Sana'a) Middle East Trad. Co. Ltd., P.O. Box 12363, Hayel Street, Sana'a. Tel: +967-1-204201, Fax: +967-1-204204. (Taiz) Middle East Trading Co. (METCO), 5th Flr. Hayel Saeed Anam Bldg, Al-Mugamma St. Taiz, Yemen, Tel: +967-4-213455, Fax: +967-4-219869.



WARRANTY REGISTRATION CARD

YOUR NAME/ الإسم

.....

YOUR ADDRESS العنوان

.....

.....

.....

POSTCODE الرمز البريدي

DATE OF PURCHASE تاريخ الشراء

DEALER'S NAME & ADDRESS/ إسم و عنوان البائع

.....

.....

PRODUCT MODEL NO. RC650, RC1050, RC1850, RC1860, RC2850



Free Manuals Download Website

<http://myh66.com>

<http://usermanuals.us>

<http://www.somanuals.com>

<http://www.4manuals.cc>

<http://www.manual-lib.com>

<http://www.404manual.com>

<http://www.luxmanual.com>

<http://aubethermostatmanual.com>

Golf course search by state

<http://golfingnear.com>

Email search by domain

<http://emailbydomain.com>

Auto manuals search

<http://auto.somanuals.com>

TV manuals search

<http://tv.somanuals.com>