

FIRESTORM
HIGH PERFORMANCE TOOLS

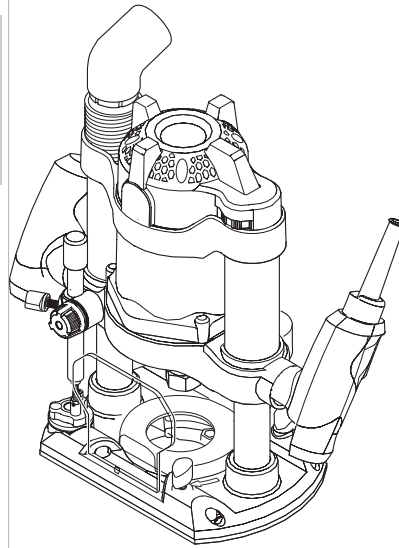
OUTILS À HAUT RENDEMENT
HERRAMIENTAS DE ALTO RENDIMIENTO

BY **BLACK & DECKER**

FS1200RP VARIABLE
SPEED PLUNGE ROUTER

INSTRUCTION MANUAL

Catalog Number FS1200RP



THANK YOU FOR CHOOSING BLACK & DECKER!
GO TO WWW.BLACKANDDECKER.COM/NEWOWNER
TO REGISTER YOUR NEW PRODUCT.

**BEFORE RETURNING THIS PRODUCT
FOR ANY REASON PLEASE CALL
1-800-544-6986**

BEFORE YOU CALL, HAVE THE CATALOG No. AND DATE CODE AVAILABLE. IN MOST CASES, A
BLACK & DECKER REPRESENTATIVE CAN RESOLVE THE PROBLEM OVER THE PHONE. IF
YOU HAVE A SUGGESTION OR COMMENT, GIVE US A CALL. YOUR FEEDBACK IS VITAL TO
BLACK & DECKER.

SAVE THIS MANUAL FOR FUTURE REFERENCE.

VEA EL ESPAÑOL EN LA CONTRAPORTADA.

INSTRUCTIVO DE OPERACIÓN, CENTROS DE SERVICIO Y PÓLIZA DE GARANTÍA.
ADVERTENCIA: LEÁSE ESTE INSTRUCTIVO ANTES DE USAR EL PRODUCTO.

General Safety Rules

⚠ WARNING! Read all instructions. Failure to follow all instructions listed below may result in electric shock, fire and/or serious injury. The term “power tool” in all of the warnings listed below refers to your mains-operated (corded) power tool or battery-operated (cordless) power tool.

⚠ WARNING: To reduce the risk of injury, user must read instruction manual. SAVE THESE INSTRUCTIONS

1) WORK AREA SAFETY

- a) **Keep work area clean and well lit.** Cluttered or dark areas invite accidents.
- b) **Do not operate power tools in explosive atmospheres, such as in the presence of flammable liquids, gases or dust.** Power tools create sparks which may ignite the dust or fumes.
- c) **Keep children and bystanders away while operating a power tool.** Distractions can cause you to lose control

2) ELECTRICAL SAFETY

- a) **Power tool plugs must match the outlet. Never modify the plug in any way. Do not use any adapter plugs with earthed (grounded) power tools.** Unmodified plugs and matching outlets will reduce risk of electric shock
- b) **Avoid body contact with earthed or grounded surfaces such as pipes, radiators, ranges and refrigerators.** There is an increased risk of electric shock if your body is earthed or grounded.
- c) **Do not expose power tools to rain or wet conditions.** Water entering a power tool will increase the risk of electric shock
- d) **Do not abuse the cord. Never use the cord for carrying, pulling or unplugging the power tool. Keep cord away from heat, oil, sharp edges or moving parts.** Damaged or entangled cords increase the risk of electric shock. Replace or repair damaged cords. Make sure your extension cord is in good condition. Use only 3-wire extension cords that have 3-prong grounding-type plugs and 3-pole receptacles that accept the tool's plug.
- e) **When operating a power tool outdoors, use an extension cord suitable for outdoor use.** Use of a cord suitable for outdoor use reduces the risk of electric shock. When using an extension cord, be sure to use one heavy enough to carry the current your product will draw. An undersized cord will cause a drop in line voltage resulting in loss of power and overheating. The following table shows the correct size to use depending on cord length and nameplate ampere rating. If in doubt, use the next heavier gage. The smaller the gage number, the heavier the cord.

Volts	Minimum Gage for Cord Sets			
	Total Length of Cord in Feet			
120V	0-25	26-50	51-100	101-150
240V	0-50	51-100	101-200	201-300
Ampere Rating		American Wire Gage		
More Than	Not more Than			
0 - 6	18	16	16	14
6 - 10	18	16	14	12
10 - 12	16	16	14	12
12 - 16	14	12	Not Recommended	

3) PERSONAL SAFETY

- a) **Stay alert, watch what you are doing and use common sense when operating a power tool. Do not use a power tool while you are tired or under the influence of drugs, alcohol or medication.** A moment of inattention while operating power tool may result in serious personal injury.

- b) **Use safety equipment. Always wear eye protection.** Safety equipment such as dust mask, non-skid safety shoes, hard hat, or hearing protection used for appropriate conditions will reduce personal injuries.
- c) **Avoid accidental starting. Ensure the switch is in the off-position before plugging in.** Carrying power tools with your finger on the switch or plugging in power tools that have the switch on invites accidents.
- d) **Remove any adjusting key or wrench before turning the power tool on.** A wrench or a key left attached to a rotating part of the power tool may result in personal injury.
- e) **Do not overreach. Keep proper footing and balance at all times.** This enables better control of the power tool in unexpected situations.
- f) **Dress properly. Do not wear loose clothing or jewelry. Keep your hair, clothing and gloves away from moving parts.** Loose clothes, jewelry or long hair can be caught in moving parts. Air vents often cover moving parts and should also be avoided.
- g) **If devices are provided for the connection of dust extraction and collection facilities, ensure these are connected and properly used.** Use of these devices can reduce dust-related hazards.

4) POWER TOOL USE AND CARE

- a) **Do not force the power tool. Use the correct power tool for your application.** The correct power tool will do the job better and safer at the rate for which it was designed.
- b) **Do not use the power tool if the switch does not turn it on and off.** Any power tool that cannot be controlled with the switch is dangerous and must be repaired.
- c) **Disconnect the plug from the power source and/or the battery pack from the power tool before making any adjustments, changing accessories, or storing power tools.** Such preventive safety measures reduce the risk of starting the power tool accidentally.
- d) **Store idle power tools out of the reach of children and do not allow persons unfamiliar with the power tool or these instructions to operate the power tool.** Power tools are dangerous in the hands of untrained users.
- e) **Maintain power tools. Check for misalignment or binding of moving parts, breakage of parts and any other condition that may affect the power tools operation. If damaged, have the power tool repaired before use.** Many accidents are caused by poorly maintained power tools.
- f) **Keep cutting tools sharp and clean.** Properly maintained cutting tools with sharp cutting edges are less likely to bind and are easier to control.
- g) **Use the power tool, accessories and tool bits etc., in accordance with these instructions and in the manner intended for the particular type of power tool, taking into account the working conditions and the work to be performed.** Use of the power tool for operations different from those intended could result in a hazardous situation.

5) SERVICE

- a) **Have your power tool serviced by a qualified repair person using only identical replacement parts.** This will ensure that the safety of the power tool is maintained.
- b) **If the replacement of the supply cord is necessary,** this has to be done by the manufacturer or his agent in order to avoid a safety hazard.

SPECIFIC SAFETY RULES

- ⚠ **WARNING! Read all instructions.** Failure to follow all instructions listed below may result in electric shock, fire and/or serious injury.
- **Hold power tools by insulated gripping surfaces when performing an operation where the cutting tool may contact hidden wiring or its own cord.** Contact with a "live" wire will make exposed metal parts of the tool "live" and shock the operator.
- **Use clamps or another practical way to secure and support the workpiece to a stable platform.** Holding the work by hand or against your body leaves it unstable and may lead to loss of control.

- **Keep handles dry, clean, and free from oil and grease.** This will enable better control of the tool.
- **Keep hands away from cutting area. Never reach under the workpiece for any reason. Keep the router base firmly in contact with the workpiece when cutting. Hold the router only by the handles.** These precautions will reduce the risk of personal injury.
- **Use sharp cutters.** Dull cutters may cause the router to swerve or stall under pressure.
- **Never touch the bit immediately after use.** It may be extremely hot.
- **Be sure that the motor has stopped completely before you lay the router down.** If the cutter head is still spinning when the tool is laid down, it could cause injury or damage.
- **Be sure that the router bit is clear of the workpiece before starting the motor.** If the bit is in contact with the workpiece when the motor starts it could make the router jump, causing damage or injury.
- **Only use router bits with a shank diameter equal to the size of the collet installed in the tool.**
- **Do not use router bits with a diameter greater than 1-5/8" (41mm).** Use of larger than recommended bits can result in a hazard.
- **Only use router bits suitable for the no-load speed of the tool.**
- **Not intended to be used with a router table. Do not use the tool in an inverted position.**
- **Do not attempt to use the tool in a stationary mode.**
- **Make sure collet nut is securely tightened to prevent router bit from slipping during use.**

⚠ WARNING: Some dust created by power sanding, sawing, grinding, drilling, and other construction activities contains chemicals known to cause cancer, birth defects or other reproductive harm. Some examples of these chemicals are:

- lead from lead-based paints,
- crystalline silica from bricks and cement and other masonry products,
- arsenic and chromium from chemically-treated lumber (CCA).

Your risk from these exposures varies, depending on how often you do this type of work. To reduce your exposure to these chemicals: work in a well ventilated area, and work with approved safety equipment, such as those dust masks that are specially designed to filter out microscopic particles.

- **Avoid prolonged contact with dust from power sanding, sawing, grinding, drilling, and other construction activities. Wear protective clothing and wash exposed areas with soap and water.** Allowing dust to get into your mouth, eyes, or lay on the skin may promote absorption of harmful chemicals.

⚠ WARNING: Use of this tool can generate and/or disburse dust, which may cause serious and permanent respiratory or other injury. Always use NIOSH/OSHA approved respiratory protection appropriate for the dust exposure. Direct particles away from face and body.

⚠ CAUTION: Wear appropriate personal hearing protection during use. Under some conditions and duration of use, noise from this product may contribute to hearing loss.

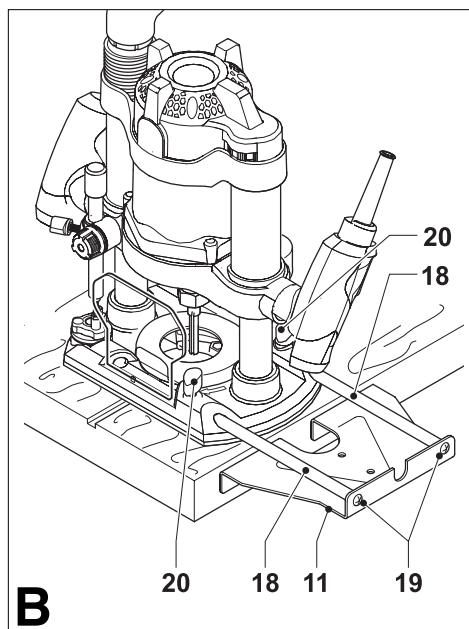
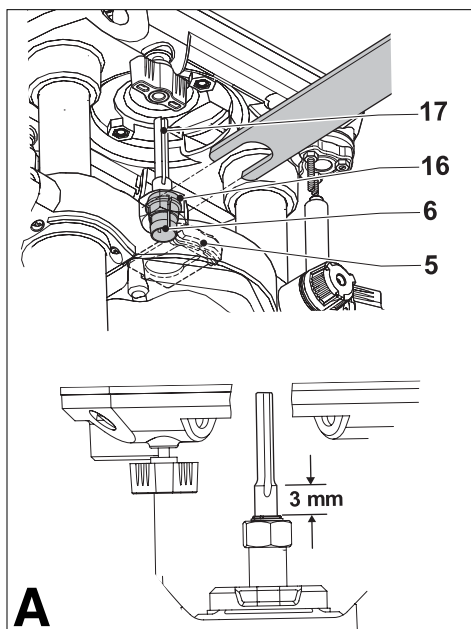
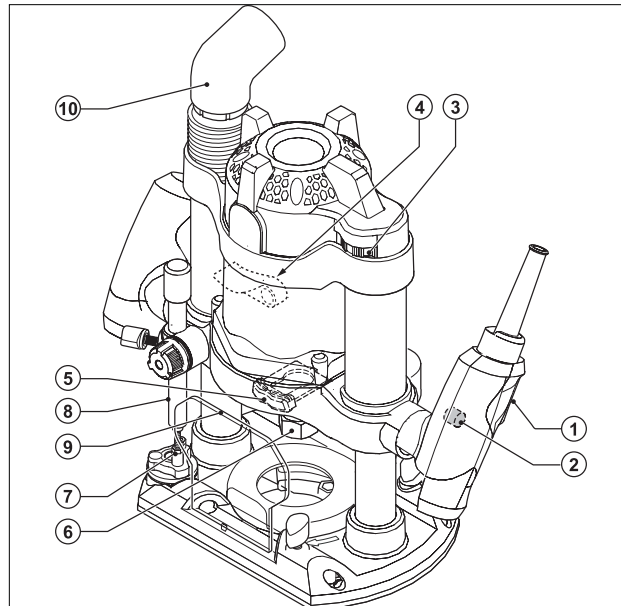
The label on your tool may include the following symbols.

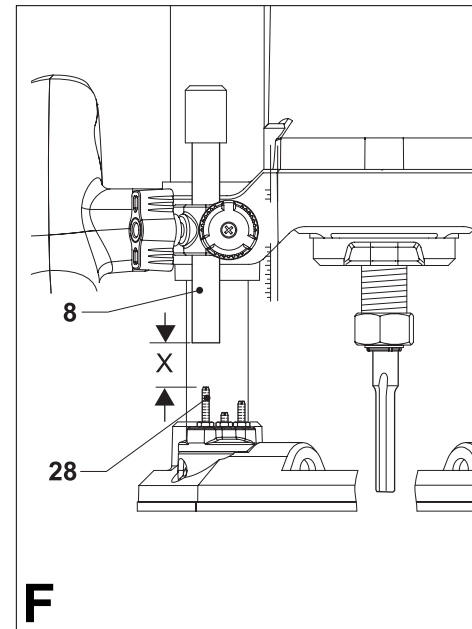
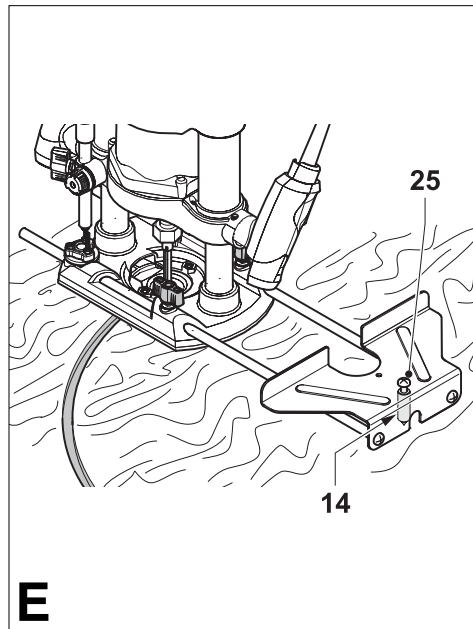
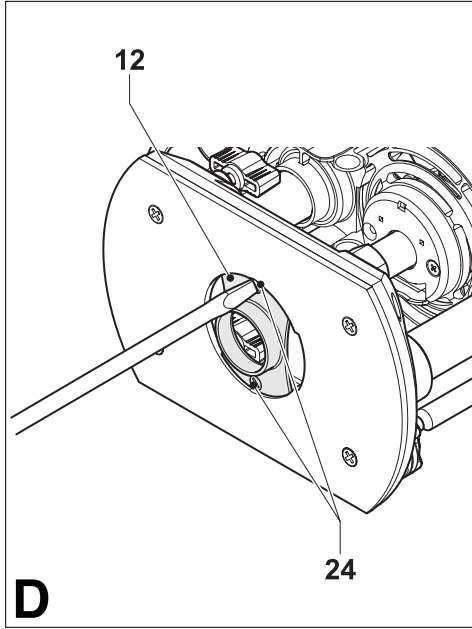
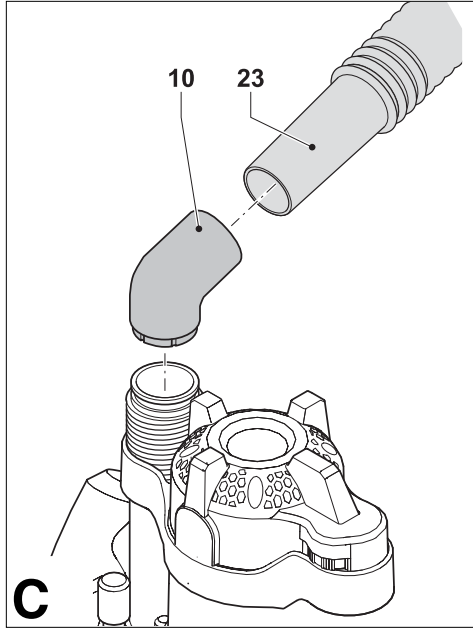
V	volts	A.....	amperes
Hz	hertz	W	watts
min.....	minutes	~	alternating current
====	direct current	n ₀	no load speed
☐	Class II Construction	⊕	earthing terminal
⚠	safety alert symbol	.../min	revolutions or reciprocations per minute

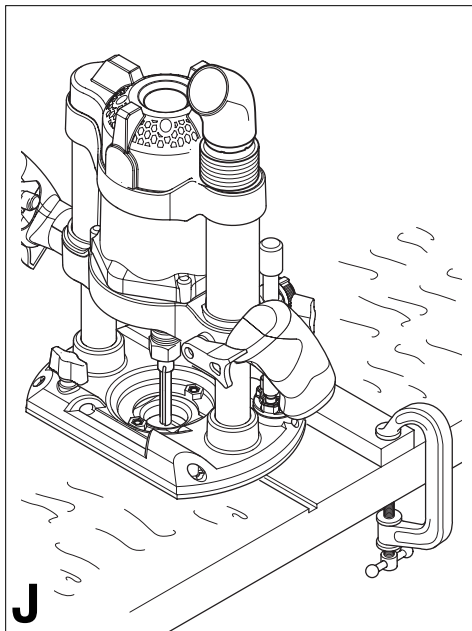
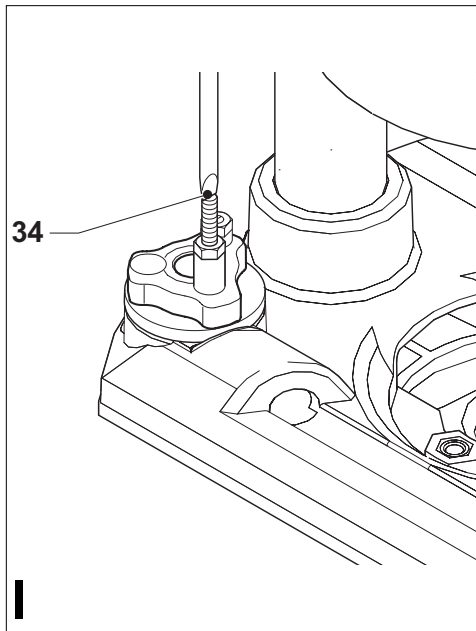
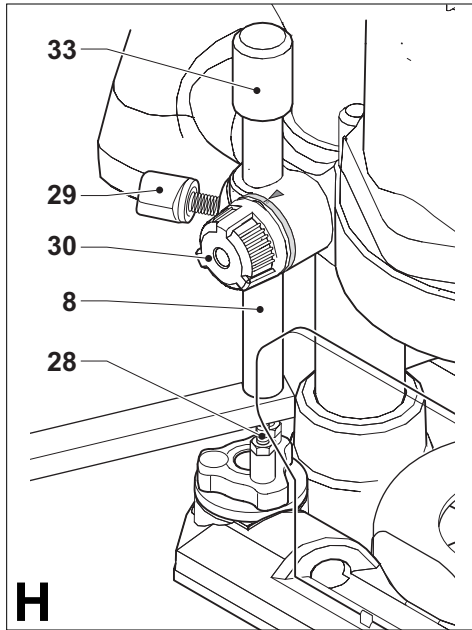
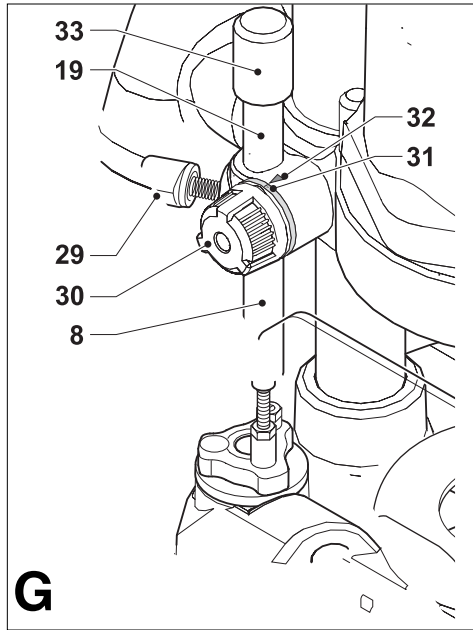
"Not intended to be used with a routing table"

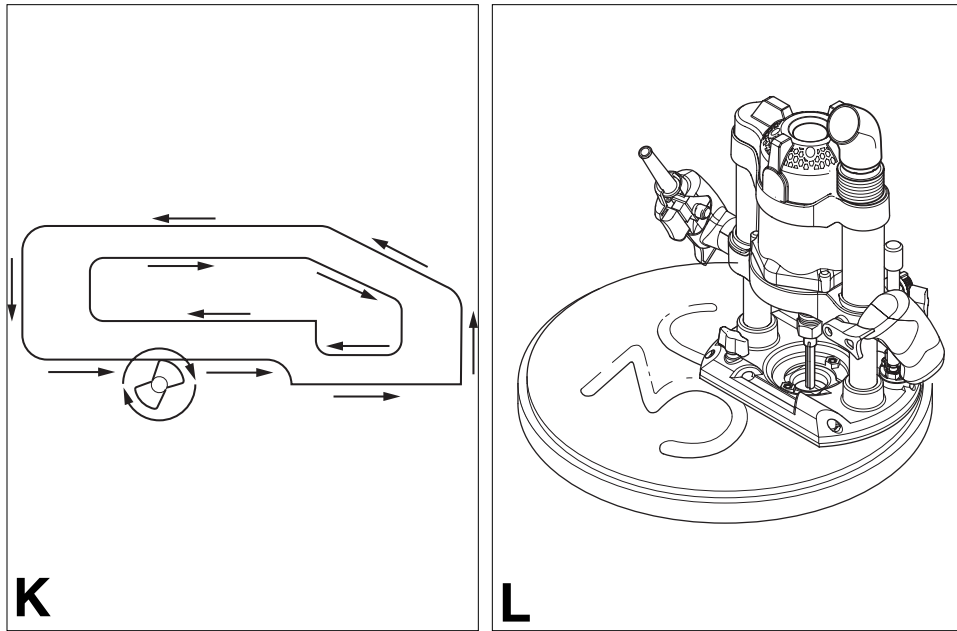
FEATURES

1. On/off switch
2. Lock-on button
3. Variable speed control knob
4. Plunge lock lever
5. Spindle lock button
6. Collet
7. Turret depth stop
8. Depth stop bar
9. Chip shield
10. Dust extraction adaptor

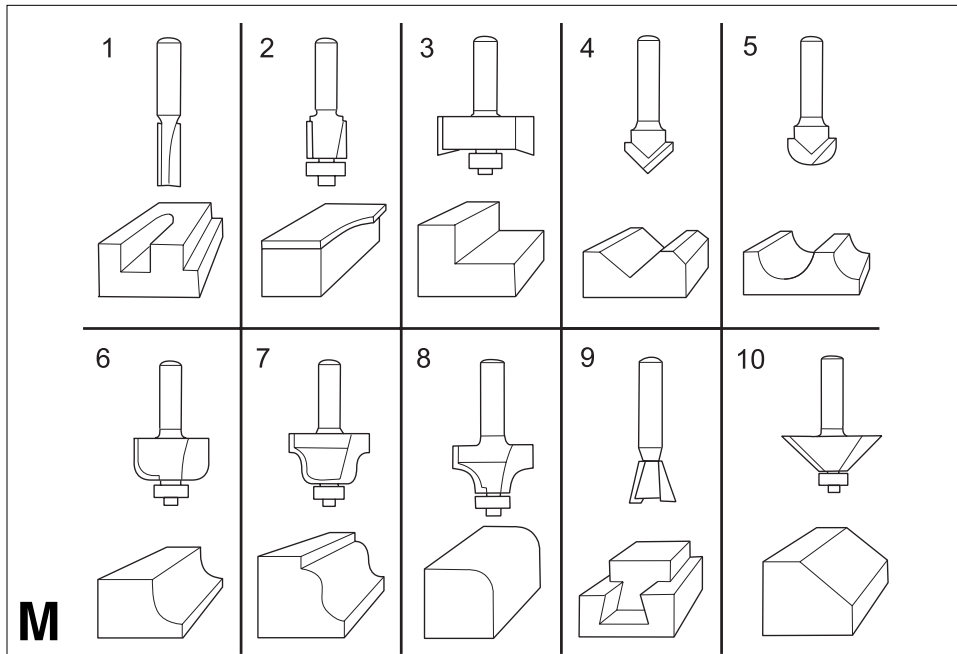








BITS AVAILABLE AS ACCESSORIES - NOT SUPPLIED.



Motor

Be sure your power supply agrees with nameplate marking. 120 Volts AC only means your tool will operate on standard 60 Hz household power. Do not operate AC tools on DC. A rating of 120 volts AC/DC means that your tool will operate on standard 60 Hz AC or DC power. This information is printed on the nameplate. Lower voltage will cause loss of power and can result in over-heating. All Black & Decker tools are factory-tested; if this tool does not operate, check the power supply.

ASSEMBLY

⚠ WARNING: To prevent personal injury, always disconnect plug from power source before assembly, making adjustments or changing bits. Failure to do so could result in accidental starting and possible injury.

INSTALLING AND REMOVING A ROUTER BIT (FIG. A)

⚠ WARNING: Turn the router off and disconnect it from the power supply.

Installing

- Remove the chip shield (9).
- Keep the spindle lock button (5) depressed and rotate the spindle until the spindle lock fully engages.
- Place the router upside down on a smooth, flat surface.
- Loosen the collet nut (16) using the spanner wrench provided.
- Insert the shank of the router bit (17) into the collet (6) (two collets are provided, 1/4" or 1/2"). Make sure that the shank protrudes at least 1/8" (3mm) from the collet as shown.
- Keep the spindle lock button (5) depressed and tighten the collet nut (16) using the spanner provided.

Removing

⚠ CAUTION: Burn Hazard. Router bits get hot during use. Allow sufficient time for bit to cool before replacing.

- Keep the spindle lock button (5) depressed.
- Loosen the collet nut (16) using the spanner wrench provided.

ATTACHING THE EDGE GUIDE (FIG. B)

⚠ WARNING: Turn the router off and disconnect it from the power supply.

The edge guide helps to guide the tool parallel to an edge.

- Fit the bars (18) to the edge guide (11) using the two screws (19) provided.
- Insert the bars (18) into the router base as shown.
- Set the edge guide to the required distance.
- Tighten the fixing screws (20).

ATTACHING THE DUST EXTRACTION ADAPTOR (FIG. C)

The dust extraction adaptor allows you to connect a vacuum cleaner to the tool.

- Place the dust extraction adaptor (10) onto the dust extraction outlet as shown.
- Connect the hose (23) of the vacuum cleaner to the adaptor.

ATTACHING THE TEMPLATE GUIDE (FIG. C & D)

- Attach the template guide (12) to the base of the router, with the flange to the bottom side.
- Insert the two long screws (24) from the bottom side through the template guide and the holes in the base.
- Place the dust extraction adaptor on top of the base as shown in fig. C.
- Place a nut onto each of the screws and securely tighten the nuts.

ATTACHING THE CENTERING PIN (FIG. E)

- Attach the edge guide to the router as shown in fig. B, but upside down.
- Attach the centering pin (14) to the workpiece side of the edge guide with the screw (25) provided.

OPERATION

⚠ WARNING: To prevent personal injury, always disconnect plug from power source before assembly, making adjustments or changing bits. Failure to do so could result in accidental starting and possible injury.

⚠ WARNING: To reduce the risk of injury, do not overload the tool. Let it work at its own pace.

- Carefully guide the cord in order to avoid accidentally cutting it.

ADJUSTING THE DEPTH OF CUT (FIG. F, G & H)

⚠WARNING: Turn the router off and disconnect it from the power supply.

- The depth of cut is the distance (X in figure F) between the depth stop bar (8) and the depth stop (28). The depth of cut can be set in two different ways as described below.

ADJUSTING THE DEPTH OF CUT USING THE SCALE (FIG. G)

⚠WARNING: Turn the router off and disconnect it from the power supply.

- Install the router bit as described previously.
- Loosen the locking screw (29).
- Pull the plunge lock lever (4) up.
- Plunge the router down until the router bit touches the workpiece.
- Push the plunge lock lever (4) down.
- Move the depth stop bar (8) down against the depth stop using the depth stop adjuster (30). Reset the scale by aligning the zero marking (31) with the arrow (32).
- Add the desired depth of cut to the starting position.
- Move the depth stop bar (8) to the calculated position using the depth stop adjuster (30).
- Tighten the locking screw (29).
- Fine adjust using the adjusting knob (33).
- Pull the plunge lock lever (4) up and let the router return to its original position.
- After switching the router on, plunge it down and make the desired cut.

ADJUSTING THE DEPTH OF CUT USING A PIECE OF WOOD (FIG. H)

⚠WARNING: Turn the router off and disconnect it from the power supply.

- Install the router bit and plunge the router down as described previously.
- Loosen the locking screw (29).
- Move the depth stop bar (8) up using the depth stop adjuster (30).
- Place a piece of wood with a thickness equal to the desired depth of cut between the depth stop (28) and the depth stop bar (8).
- Move the depth stop bar (8) down against the wood using the depth stop adjuster (30).
- Tighten the locking screw (29).
- Fine adjust using the adjusting knob (33).
- Remove the piece of wood.
- Pull the plunge lock lever (4) up and let the router return to its original position.
- After switching the router on, plunge it down and make the desired cut.

ADJUSTING THE TURRET DEPTH STOP (FIG. I)

⚠WARNING: Turn the router off and disconnect it from the power supply.

After turning the turret depth stop to the desired setting, you can fine-adjust the depth stop to be used. If you want to make several cuts with a different depth of cut, adjust each of the depth stops.

- Turn the depth stop screw (34) up or down as required using a screwdriver.

SOFT START

Your router is equipped with a "soft start" feature which reduces the torque at start up and allows for increased control of the router.

ELECTRONIC SPEED CONTROL DIAL

The speed of your router is variable. Use the electronic speed control dial (3) to produce uniform cutting results in wood, plastics and aluminum. Use the lower settings for large diameter cutters and the higher settings for small diameter cutters.

CONTROL SPEED ELECTRONICS -CSE

Your router is equipped with CSE (control speed electronics)—as you load the router, the selected cutting speed does not slow down during normal use. The electronic control governs the motor and gives you a consistent finish to your work. Only under very heavy loading will the speed of the unit fall below the governed speed.

To set the router speed, rotate the speed control wheel (3). The higher the number the higher the speed.

USING A STRAIGHT EDGE AS A GUIDE (FIG. J)

⚠WARNING: Turn the router off and disconnect it from the power supply.

When it is not possible to use the edge guide, for example when routing grooves in the back panel of a bookcase to support shelves, proceed as follows:

- Place a straight edge onto the workpiece.
- Move the straight edge until it is in the correct position to guide the tool.
- Securely clamp the straight edge to the workpiece.

USING THE TEMPLATE GUIDE (FIG. D)

⚠WARNING: Turn the router off and disconnect it from the power supply.

- Secure the template over the workpiece with double-sided tape or clamps.
- The router bit must extend below the flange of the template guide, to cut the workpiece in the shape of the template.

USING THE CENTERING PIN (FIG. E)

⚠WARNING: Turn the router off and disconnect it from the power supply.

The centering pin can be used to cut out circular patterns.

- Drill a hole for the point of the centering pin in the center of the circle to be cut.
- Place the router on the workpiece with the point of the centering pin in the drilled hole.
- Adjust the radius of the circle with the bars of the edge guide.
- The router can now be moved over the workpiece to cut out the circle.

SWITCHING ON AND OFF**Switching on**

- Press the on/off trigger switch (1).

Switching off

- Release the on/off trigger switch.

Continuous operation

- To lock the switch on for continuous operation, squeeze the trigger (1) and hold while you depress the lock button (2). Hold the button in while you release the trigger and the tool will continue to run. To turn the tool off, squeeze and release trigger.

⚠WARNING: To reduce the risk of injury and prevent loss of control, always operate the router with both hands.

USING THE ROUTER

- Make sure that the material to be cut is clamped down and is stable enough to support the router during operation.
- Use both hands on the handles to control the router.
- Move the router counterclockwise when cutting outside edges. Move clockwise when cutting inside edges. See Figure K.
- Always hold router from the front insuring that the chip shield is between the user and the bit.
- After setting the cutting depth as described, locate the router such that the bit is directly over the place you will be cutting. With the router running, lower the unit smoothly down into the workpiece. (DO NOT FORCE THE ROUTER DOWN.) When the tool reaches the pre-set depth, tighten the plunge release lever. When you have finished routing, loosen the plunge release lever and let the spring lift the router directly out of the workpiece.

NOTE: Always feed the router opposite to the direction in which the cutter is rotating.

FEEDING SPEED AND RATE OF CUT

- Variation between materials and bit configurations dictates a wide variety of feed rates. Experience is the best measure for determining feed rate. Become familiar with the sound and feel of the router by making practice cuts in scrap material. Make a preliminary adjustment of the speed control, selecting a higher speed for smaller diameter bits and a lower speed for larger diameter bits.

The router bit rotates at a very high speed and may heat up if the router is moved too slowly through the wood and may cause burn marks. Feeding the router too fast or trying to remove too much material in a single pass will overload the motor. Use two or more passes for extra-large cuts (over 1/8" deep), especially in hard woods.

USING THE ROUTER WITH DUST EXTRACTION

- When using dust extraction, be sure that the vacuum cleaner is out of the way and secure so that it will not tip over or interfere with the router or workpiece. The vacuum hose and power cord must also be positioned so that they don't interfere with the router or workpiece. If the vacuum cleaner or vacuum hose cannot be positioned properly, it should be removed.
- Turn on vacuum cleaner before router.
- Empty the vacuum cleaner as necessary.

HINTS FOR OPTIMUM USE

When working on outside edges, move the tool counterclockwise (fig. K). When working on inside edges, move the tool clockwise.

- Use HSS (high speed steel) router bits for softwood.
- Use TCT (tungsten carbide tipped) router bits for hardwood.
- You can use the tool without a guide (fig. L). This is useful for sign writing and creative work. Only make shallow cuts.
- Refer to the table below for common types of router bits.

ROUTER BITS (FIG. M) (NOT INCLUDED)

- **Do not use router bits with a diameter greater than 1-5/8" (41mm).** Use of larger than recommended bits can result in a hazard.

Description

Straight bit (1)
Trimming bit (2)

Rabbeting bit (3)

V-grooving bit (4)

Core box bit (5)

Cove bit (6)

Ogee moulding bit (7)

Rounding over bit (8)

Dovetail bit (9)

Chamfer bit (10)

Application

Grooves and rabbets

Trimming laminates or hardwood; accurate profiling using a template

Rabbets on straight or curved workpieces

Grooves, engraving and edge beveling

Fluting, engraving and decorative edge moulding

Decorative edge moulding

Decorative edge moulding

Rounding over edges

Dovetail joints

Chamfer edges

Troubleshooting Problem

- Unit will not start.

Possible Cause

- Cord not plugged in.
- Circuit fuse is blown.
- Circuit breaker is tripped.
- Cord or switch is damaged.

Possible Solution

- Plug in cord.
- Replace circuit fuse.
- Reset circuit breaker.
- Have cord or switch replaced at Black & Decker Service Center or Authorized Servicer

For assistance with your product, visit our website www.black&decker.com for the location of the service center nearest you or call the BLACK & DECKER help line at 1-800-544-6986.

MAINTENANCE

Your tool has been designed to operate over a long period of time with a minimum of maintenance. Continuous satisfactory operation depends upon proper tool care and regular cleaning.

- ⚠ WARNING: To prevent personal injury, always disconnect plug from power source before performing any maintenance. Failure to do so could result in accidental starting and possible injury.**

- Regularly clean the ventilation slots in your tool using a soft brush or dry cloth.
- Regularly clean the motor housing using a damp cloth. Do not use any abrasive or solvent-based cleaner.

IMPORTANT:

To assure product SAFETY and RELIABILITY, repairs, maintenance and adjustment (other than those listed in this manual) should be performed by authorized service centers or other qualified service personnel, always using identical replacement parts.

ACCESSORIES

Recommended accessories for use with your tool are available from your local dealer or authorized service center. If you need assistance regarding accessories, please call:

1-800-54-HOW-TO (544-6986).

⚠ WARNING: To reduce the risk of injury, do not use accessories rated below the maximum speed on the rating plate of the tool. The use of oversize router bits or any accessory not recommended for use with this tool could be hazardous.

SERVICE INFORMATION

All Black & Decker Service Centers are staffed with trained personnel to provide customers with efficient and reliable power tool service. Whether you need technical advice, repair, or genuine factory replacement parts, contact the Black & Decker location nearest you. To find your local service location, refer to the yellow page directory under "Tools—Electric" or call: **1-800-544-6986** or visit **www.blackanddecker.com**

FULL TWO-YEAR HOME USE WARRANTY

Black & Decker (U.S.) Inc. warrants this product for two years against any defects in material or workmanship. The defective product will be replaced or repaired at no charge in either of two ways.

The first, which will result in exchanges only, is to return the product to the retailer from whom it was purchased (provided that the store is a participating retailer). Returns should be made within the time period of the retailer's policy for exchanges (usually 30 to 90 days after the sale). Proof of purchase may be required. Please check with the retailer for their specific return policy regarding returns that are beyond the time set for exchanges.

The second option is to take or send the product (prepaid) to a Black & Decker owned or authorized Service Center for repair or replacement at our option. Proof of purchase may be required. Black & Decker owned and authorized Service Centers are listed under "Tools-Electric" in the yellow pages of the phone directory and on our website **www.blackanddecker.com**.

This warranty does not apply to accessories. This warranty gives you specific legal rights and you may have other rights which vary from state to state. Should you have any questions, contact the manager of your nearest Black & Decker Service Center. This product is not intended for commercial use.

FREE WARNING LABEL REPLACEMENT: If your warning labels become illegible or are missing, call 1-800-544-6986 for a free replacement.

Special Warranty Note to Contractors:

FIRESTORM™ branded products are offered as high end consumer home use tools and carry a **HOME USE WARRANTY**. These tools are designed, manufactured and tested to meet or exceed the needs of the do-it-yourselfer in the execution of projects and repairs in and around the home. With proper use they will provide the home owner with step up power and performance well beyond their two year warranty. However, if you use tools for a living and use FIRESTORM™ branded products or any of Black & Decker's other Consumer Home Use tools **ON THE JOBSITE** you should know that they **CANNOT BE COVERED UNDER OUR WARRANTY**.

Patents Pending

Imported by
Black & Decker (U.S.) Inc.,
701 E. Joppa Rd.
Towson, MD 21286 U.S.A.



See 'Tools-Electric'
- Yellow Pages -
for Service & Sales



FIRESTORM[®]
HIGH PERFORMANCE TOOLS

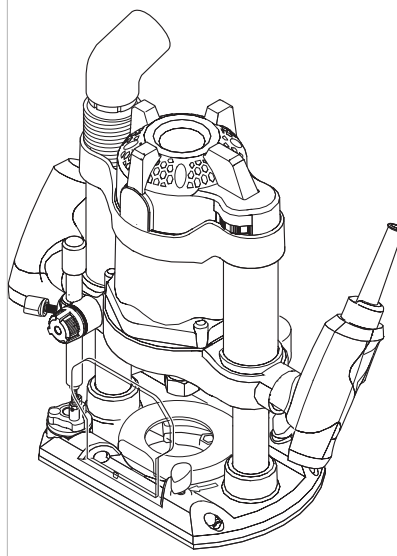
OUTILS À HAUT RENDEMENT
HERRAMIENTAS DE ALTO RENDIMIENTO

BY **BLACK & DECKER**

DÉFONCEUSE À VITESSES
VARIABLES FS1200RP

MODE D'EMPLOI

Numéro de catalogue FS1200RP



MERCI D'AVOIR CHOISI BLACK & DECKER!
VISITEZ WWW.BLACKANDDECKER.COM/NEUOWNER
POUR ENREGISTRER VOTRE NOUVEAU PRODUIT.

AVANT DE RETOURNER CE PRODUIT POUR QUELQUE
RAISON QUE CE SOIT, COMPOSER LE NUMÉRO
SUIVANT : 1 800 544-6986

**CONSERVER CE MANUEL POUR UN
USAGE ULTÉRIEUR.**

Règles de sécurité générales

⚠️ AVERTISSEMENT ! Lire toutes les directives. Tout manquement aux directives suivantes pose des risques de choc électrique, d'incendie et/ou de blessure grave. Le terme « outil électrique » dans tous les avertissements ci-après se rapporte à votre outil électrique à alimentation sur secteur (avec fil) ou par piles (sans fil).

⚠️ AVERTISSEMENT : afin de réduire le risque de blessures, l'utilisateur doit lire le mode d'emploi.

CONSERVER CES DIRECTIVES

1) SÉCURITÉ DU LIEU DE TRAVAIL

- a) **Tenir la zone de travail propre et bien éclairée.** Les lieux encombrés ou sombres sont propices aux accidents.
- b) **Ne pas faire fonctionner d'outils électriques dans un milieu déflagrant, soit en présence de liquides, de gaz ou de poussières inflammables.** Les outils électriques produisent des étincelles qui peuvent enflammer la poussière ou les vapeurs.
- c) **Éloigner les enfants et les personnes à proximité pendant l'utilisation d'un outil électrique.** Une distraction pourrait vous en faire perdre la maîtrise

2) SÉCURITÉ EN MATIÈRE D'ÉLECTRICITÉ

- a) **Les fiches des outils électriques doivent correspondre à la prise. Ne jamais modifier la fiche en aucune façon. Ne jamais utiliser de fiche d'adaptation avec un outil électrique mis à la terre.** Le risque de choc électrique sera réduit par l'utilisation de fiches non modifiées correspondant à la prise.
- b) **Éviter tout contact physique avec des surfaces mises à la terre comme des tuyaux, des radiateurs, des cuisinières et des réfrigérateurs.** Le risque de choc électrique est plus élevé si votre corps est mis à la terre.
- c) **Ne pas exposer les outils électriques à la pluie ou à l'humidité.** La pénétration de l'eau dans un outil électrique augmentera le risque de choc électrique
- d) **Ne pas utiliser le cordon de façon abusive. Ne jamais utiliser le cordon pour transporter, tirer ou débrancher un outil électrique. Tenir le cordon éloigné de la chaleur, de l'huile, des bords tranchants ou des pièces mobiles.** Les cordons endommagés ou enchevêtrés augmentent les risques de choc électrique. Remplacer ou réparer des cordons d'alimentation endommagés. S'assurer que la rallonge est en bon état. Utiliser uniquement une rallonge à 3 fils pourvue d'une fiche de mise à la terre à 3 lames et une prise à 3 fentes correspondant à la fiche.
- e) **Pour l'utilisation d'un outil électrique à l'extérieur, se servir d'une rallonge convenant à une telle utilisation.** L'utilisation d'une rallonge conçue pour l'extérieur réduit les risques de choc électrique. Lorsque qu'une rallonge électrique est utilisée, s'assurer d'en utiliser une de calibre suffisamment élevé pour assurer le transport du courant nécessaire au fonctionnement de l'appareil. Un cordon de calibre inférieur causera une chute de tension de ligne et donc une perte de puissance et une surchauffe. Le tableau suivant indique le calibre approprié à utiliser selon la longueur du cordon et l'intensité nominale de la plaque signalétique. En cas de doute, utiliser le calibre suivant le plus gros. Plus le numéro de calibre est petit, plus le cordon est lourd.

Calibre minimum pour les rallonges					
Volts	Longueur totale de la rallonge en pieds				
120 V	0-25	26-50	51-100	101-150	
240 V	0-50	51-100	101-200	201-300	
Intensité nominale					
Plus de	Pas plus de	Calibrage américain normalisé des fils (AWG)			
0	- 6	18	16	16	14
6	- 10	18	16	14	12
10	- 12	16	16	14	12
12	- 16	14	12	Non recommandé	

3) SÉCURITÉ PERSONNELLE

- a) **Être vigilant, surveiller le travail effectué et faire preuve de jugement lorsqu'un outil électrique est utilisé. Ne pas utiliser d'outil électrique en cas de fatigue ou sous l'influence de drogues, d'alcool ou de médicaments.** Un moment d'inattention, durant l'utilisation d'un outil électrique, peut se solder par des blessures corporelles graves.
- b) **Utiliser un équipement de sécurité. Toujours porter une protection oculaire.** L'utilisation d'un équipement de sécurité comme un masque anti-poussières, des chaussures antidérapantes, un casque de sécurité ou des protecteurs auditifs lorsque la situation le requiert réduira les risques de blessures corporelles.
- c) **Éviter un démarrage accidentel. S'assurer que l'interrupteur se trouve à la position d'arrêt avant de brancher l'outil.** Transporter un outil électrique alors que le doigt repose sur l'interrupteur ou brancher un outil électrique dont l'interrupteur est à la position de marche risque de provoquer un accident.
- d) **Retirer toute clé de réglage ou standard avant de démarrer l'outil.** Une clé standard ou une clé de réglage attachée à une partie pivotante de l'outil pourrait provoquer des blessures corporelles.
- e) **Ne pas trop tendre les bras. Conserver son équilibre en tout temps.** Cela permet de mieux maîtriser l'outil électrique dans les situations imprévues.
- f) **S'habiller de manière appropriée. Ne pas porter de vêtements amples ni de bijoux. Maintenir cheveux, vêtements et gants éloignés des pièces mobiles.** Les vêtements amples, bijoux ou cheveux longs peuvent s'enchevêtrer dans les pièces mobiles. Se tenir éloigné des événements puisque ces derniers camouflent souvent des pièces mobiles.
- g) **Si des composants sont fournis pour le raccordement de dispositifs de dé poussiérage et de ramassage, s'assurer que ceux-ci sont bien raccordés et utilisés.** L'utilisation de ces dispositifs peut réduire les risques engendrés par les poussières.

4) UTILISATION ET ENTRETIEN D'UN OUTIL ÉLECTRIQUE

- a) **Ne pas forcer un outil électrique. Utiliser l'outil électrique approprié à l'application.** L'outil électrique approprié effectuera un meilleur travail, de façon plus sûre et à la vitesse pour laquelle il a été conçu.
- b) **Ne pas utiliser un outil électrique dont l'interrupteur est défectueux.** Tout outil électrique dont l'interrupteur est défectueux est dangereux et doit être réparé.
- c) **Débrancher la fiche du secteur et/ou du bloc-piles de l'outil électrique avant de faire tout réglage ou changement d'accessoire, ou avant de ranger ce dernier.** Ces mesures préventives réduisent les risques de démarrage accidentel de l'outil électrique.
- d) **Ranger les outils électriques hors de la portée des enfants, et ne permettre à aucune personne n'étant pas familière avec un outil électrique ou son mode d'emploi d'utiliser ce dernier.** Les outils électriques deviennent dangereux entre les mains d'utilisateurs inexpérimentés.
- e) **Entretenir les outils électriques. Vérifier si les pièces mobiles sont mal alignées ou coincées, si des pièces sont brisées ou présentent toute autre condition susceptible de nuire au bon fonctionnement de l'outil électrique. En cas de dommage, faire réparer l'outil électrique avant toute nouvelle utilisation.** Beaucoup d'accidents sont causés par des outils électriques mal entretenus.
- f) **S'assurer que les outils de coupe sont aiguisés et propres.** Les outils de coupe bien entretenus et affûtés sont moins susceptibles de se coincer et sont plus faciles à contrôler.
- g) **Utiliser l'outil électrique, les accessoires, les mèches, etc., conformément aux présentes directives et suivant la manière prévue pour ce type particulier d'outil électrique, en tenant compte des conditions de travail et du travail à effectuer.** L'utilisation d'un outil électrique pour toute opération autre que celle pour laquelle il a été conçu est dangereuse.

5) RÉPARATION

- a) **Faire réparer l'outil électrique par un réparateur professionnel en n'utilisant que des pièces de rechange identiques.** Cela permettra de maintenir une utilisation sécuritaire de l'outil électrique.
- b) **S'il faut remplacer le cordon d'alimentation,** ceci doit être fait par le fabricant ou son agent pour éviter tout risque d'accident.

RÈGLES DE SÉCURITÉ SPÉCIFIQUES

- ⚠ **AVERTISSEMENT ! Lire toutes les directives.** Tout manquement aux directives suivantes pose des risques de choc électrique, d'incendie et/ou de blessure grave.
- **Tenir l'outil électrique par sa surface de prise isolée dans une situation où l'outil de coupe peut entrer en contact avec un câblage caché ou avec son propre cordon d'alimentation.** Tout contact avec un fil « sous tension » mettra « sous tension » les pièces métalliques de l'outil et causera un choc électrique à l'opérateur de l'outil.
 - **Utiliser des brides de fixation ou un autre dispositif de fixation permettant de soutenir et de retenir la pièce sur une plate-forme stable.** Tenir la pièce avec la main ou contre son corps la rend instable et risque de provoquer une perte de maîtrise de l'outil.
 - **Maintenir les poignées sèches, propres et exemptes d'huile et de graisse.** Cela permettra de mieux maîtriser l'outil.
 - **Éloigner les mains de la zone de découpe. Ne jamais de pencher sous la pièce en aucune circonstance. Tenir la semelle de la toupie fermement en contact avec la pièce en cours de coupe. Tenir la toupie uniquement par les poignées.** Ces précautions réduiront le risque de blessure corporelle.
 - **Utiliser des fraises aiguisées.** Les fraises émoussées peuvent faire zigzaguer la toupie ou la bloquer sous la pression.
 - **Ne pas toucher la fraise immédiatement après usage.** Elle pourrait être extrêmement chaude.
 - **S'assurer que le moteur soit complètement à l'arrêt avant de déposer la toupie.** Si l'organe de coupe tourne encore lors du dépôt de l'outil, il y a risque de blessure ou dommage.
 - **S'assurer que la fraise ne touche pas à la pièce avant de démarrer le moteur.** Si non, lors du démarrage moteur, la toupie pourrait « sauter » et provoquer un dommage ou une blessure.
 - **Utiliser uniquement des fraises dont le diamètre de la queue correspond à la taille du mandrin de l'outil.**
 - **Utiliser uniquement des fraises compatibles pour le régime sous vide de l'outil.**
 - **Ne jamais utiliser des fraises dont le diamètre excède 41 mm (1-5/8 po).** L'utilisation de fraises plus larges que celles recommandées peut s'avérer dangereuse.
 - **Cet outil n'est pas prévu pour être utilisé avec une table de fraisage. Ne pas utiliser l'outil dans une position inversée.**
 - **Ne pas essayer d'utiliser l'outil comme outil d'établi (mode fixe).**
 - **S'assurer que l'écrou du mandrin soit solidement serré pour empêcher la fraise de glisser en cours de fonctionnement.**
- ⚠ **AVERTISSEMENT : certaines poussières produites par les activités de ponçage, sciage, meulage, perçage et autres activités de construction peuvent contenir des produits chimiques pouvant causer le cancer, des anomalies congénitales ou d'autres problèmes liés aux fonctions reproductrices. Voici quelques exemples de ces produits chimiques :**
- le plomb contenu dans les peintures à base de plomb;
 - la silice cristalline provenant de la brique, du ciment et d'autres produits de maçonnerie;
 - l'arsenic et le chrome provenant du bois traité chimiquement.
- Les risques reliés à l'exposition à ces poussières varient selon la fréquence à laquelle l'utilisateur travaille avec ce type de matériaux. Pour réduire l'exposition à ces produits chimiques, travailler dans un endroit bien ventilé et porter un équipement de sécurité approuvé comme un masque antipoussières conçu spécialement pour filtrer les particules microscopiques.
- **Éviter le contact prolongé avec les poussières produites par les activités de ponçage, sciage, meulage, perçage et autres activités de construction. Porter des**

vêtements de protection et laver les parties du corps exposées avec une solution d'eau et de savon. Le fait de laisser la poussière pénétrer dans la bouche et les yeux ou de la laisser reposer sur la peau, peut promouvoir l'absorption de produits chimiques nocifs.

⚠ AVERTISSEMENT : l'utilisation de cet outil peut produire et/ou propulser des poussières qui pourraient causer des problèmes respiratoires graves et permanents, ou d'autres problèmes médicaux. Toujours porter un appareil respiratoire approuvé par la NIOSH/OSHA pour se protéger de la poussière. Diriger les particules loin du visage et du corps.

⚠ MISE EN GARDE : porter une protection auditive personnelle appropriée pour utiliser cet appareil. Dans certaines conditions et selon la durée d'utilisation, le bruit provoqué par ce produit pourrait contribuer à une perte auditive.

L'étiquette apposée sur votre outil pourrait comprendre les symboles suivants.

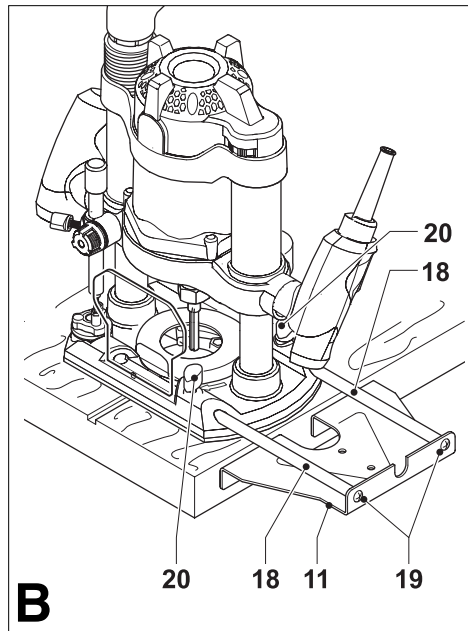
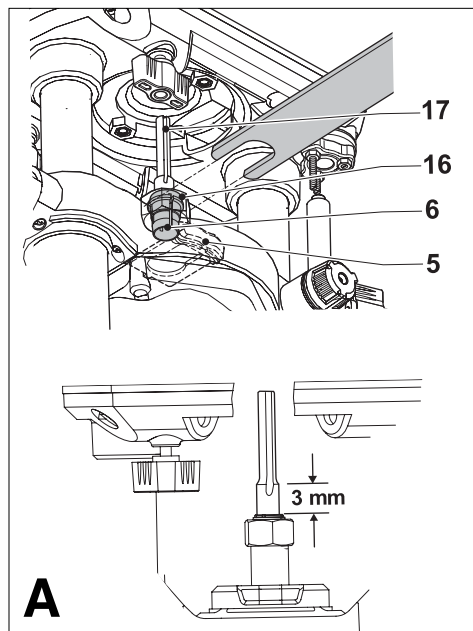
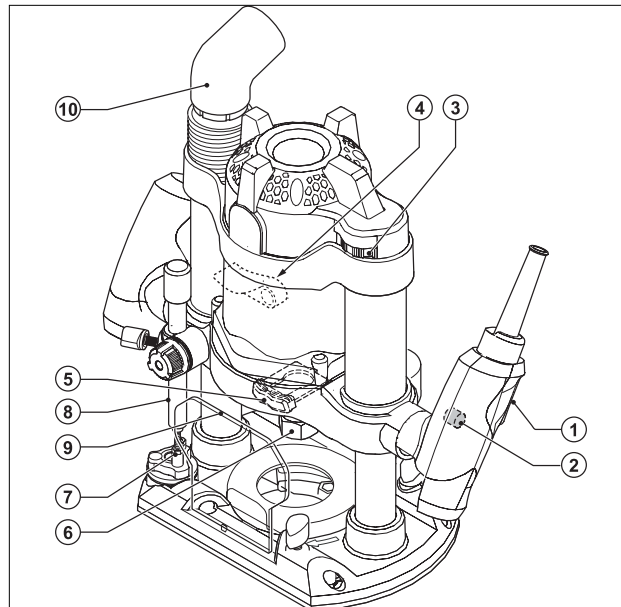
V	volts	A.....	ampères
Hz	hertz	W.....	watts
min ..	minutes	~	courant alternatif
====	courant continu	n _o	Vitesse à vide
☐	assemblage de classe II	⊕	borne mise à la terre
⚠.....	symbole d'alerte à la sécurité	.../min	révolutions ou alternances par minute

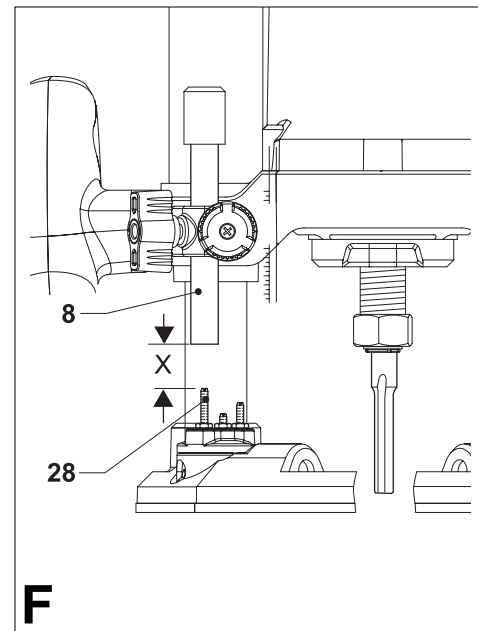
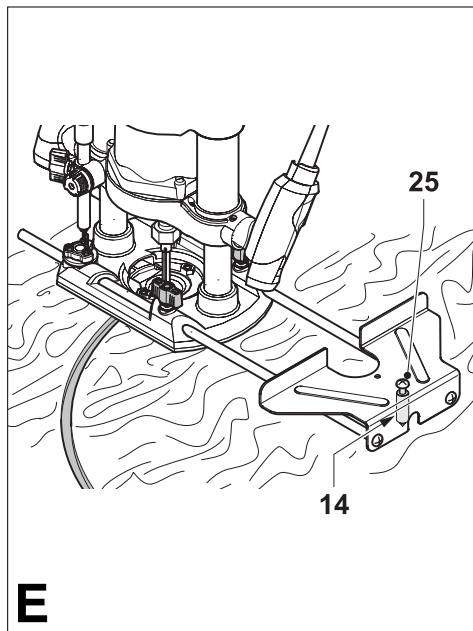
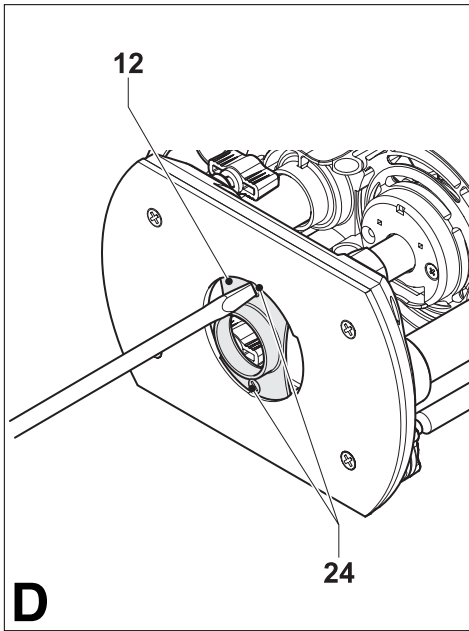
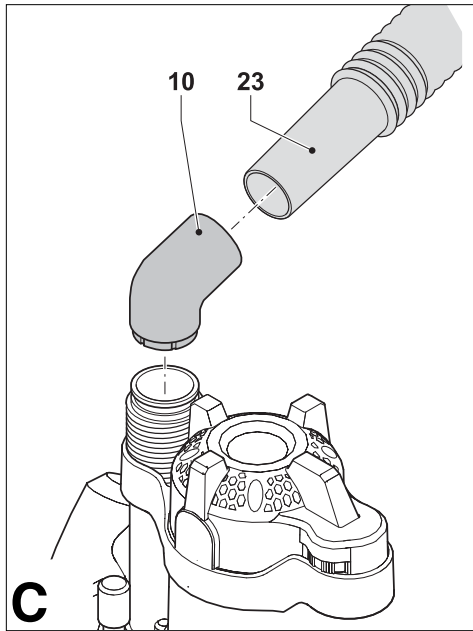
Moteur

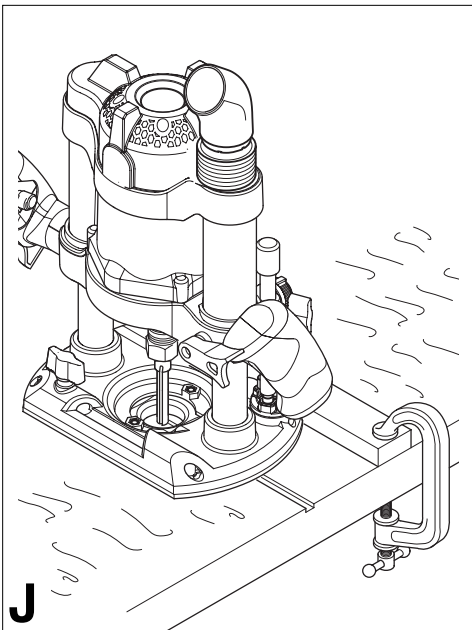
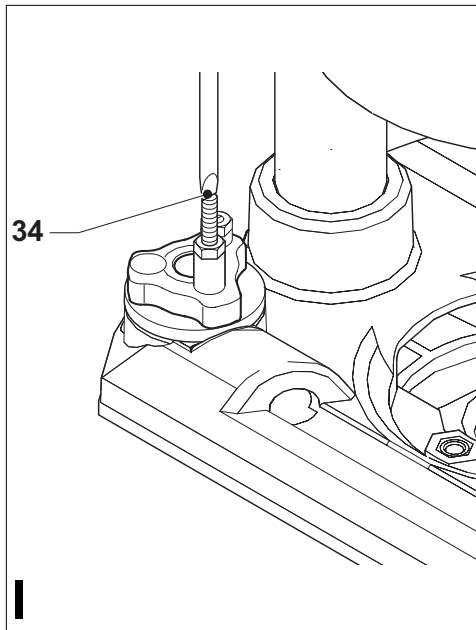
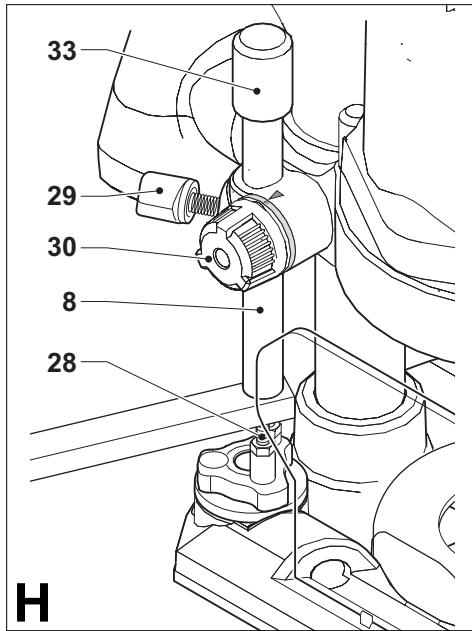
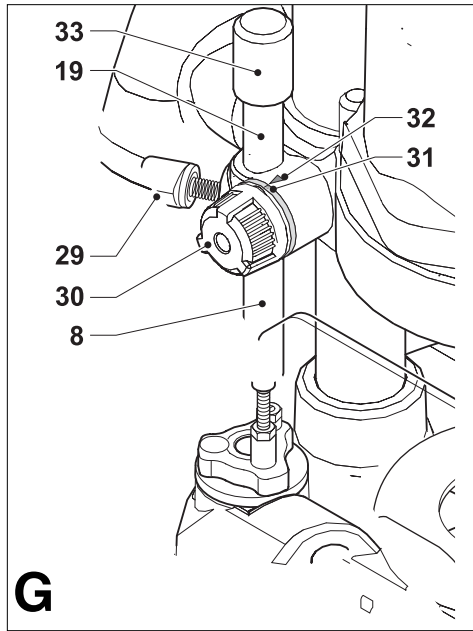
S'assurer que le bloc d'alimentation est compatible avec l'inscription de la plaque signalétique. 120 volts c.a. signifie seulement que l'outil fonctionnera sur une alimentation domestique standard de 60 Hz. Ne pas faire fonctionner des outils à courant alternatif (c.a.) sur un courant continu (c.c.). Une tension nominale de 120 volts c.a./c.c. signifie que votre outil fonctionnera avec une alimentation standard 60 Hz c.a. ou c.c. Ce renseignement figure sur la plaque signalétique. Une plus faible tension entraînera une baisse de régime, ce qui peut entraîner une surchauffe. Tous les outils Black & Decker sont testés en usine; si cet outil ne fonctionne pas, vérifier le bloc d'alimentation.

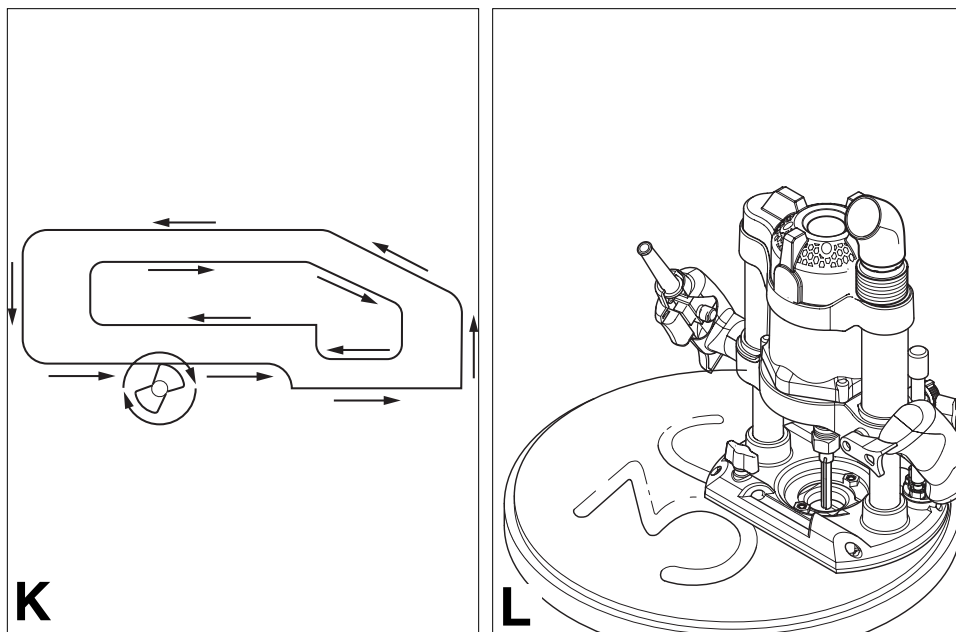
CARACTÉRISTIQUES

1. Gâchette
2. Bouton de verrouillage
3. Molette de contrôle de vitesses variables
4. Levier de verrouillage de travaux en plongée
5. Bouton de verrouillage de la broche
6. Mandrin
7. Butée d'arrêt de la tourelle
8. Tige de blocage de profondeur
9. Écran pare-copeaux
10. Adaptateur de dispositif de dépoussiérage

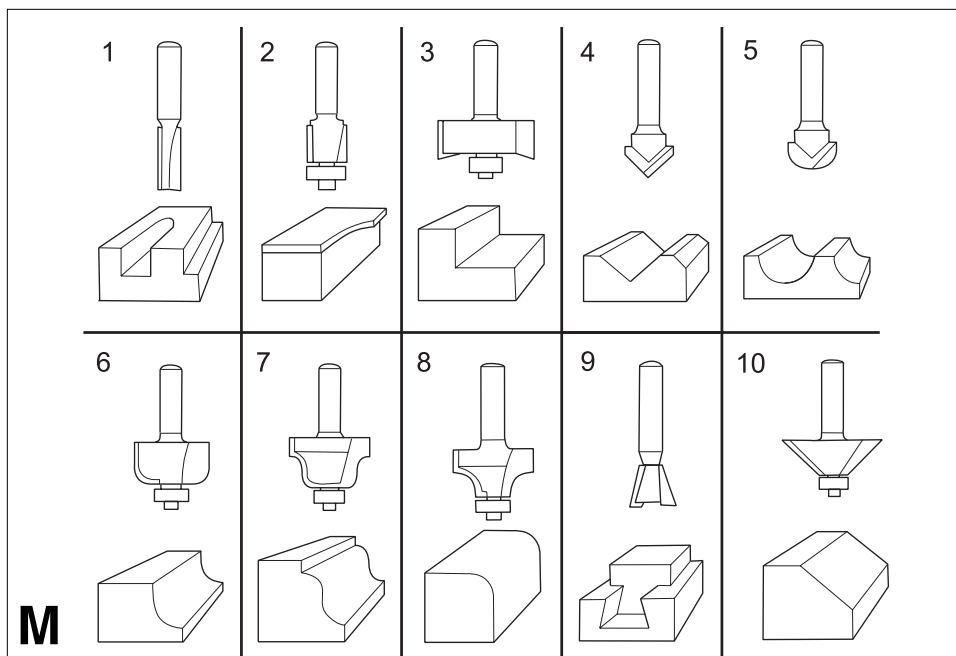








FRAISES DISPONIBLES COMME ACCESSOIRES - NON COMPRISES



ASSEMBLAGE

⚠ AVERTISSEMENT : toujours débrancher l'outil avant l'assemblage, les réglages ou le changement de fraises pour empêcher une blessure corporelle. Négliger de se conformer à cette mesure peut se solder par un démarrage accidentel et une blessure éventuelle.

INSERTION ET RETRAIT D'UNE FRAISE (FIG. A)

⚠ AVERTISSEMENT : éteindre la toupie et la débrancher.

Insertion

- Retirer le pare-copeaux (9).
- Maintenir le bouton de verrouillage de la broche (5) enfoncé et tourner la broche jusqu'à ce que le verrou soit complètement engagé.
- Positionner la défonceuse à l'envers sur une surface plane et régulière.
- Desserrer l'écrou du mandrin (16) à l'aide de la clé à écrous fournie.
- Insérer la queue de la fraise (17) dans le mandrin (6) (deux mandrins sont fournis, une de 6,3 mm (1/4 po) et une de 12,7 mm (1/2 po). S'assurer que la queue sorte d'au moins 3 mm (1/8 po) du mandrin comme indiqué.
- Maintenir le bouton de verrouillage de la broche (5) enfoncé et serrer l'écrou du mandrin (16) à l'aide de la clé à écrous fournie.

Retrait de la fraise

⚠ MISE EN GARDE : risque de brûlure. Les fraises de toupie s'échauffent en cours d'utilisation. Laisser la fraise refroidir suffisamment avant de la remplacer.

- Maintenir le bouton de verrouillage de la broche (5) enfoncé.
- Desserrer l'écrou du mandrin (16) à l'aide de la clé à écrous fournie.

FIXATION DU GUIDE DE CHANT (FIG. B)

⚠ AVERTISSEMENT : éteindre la toupie et la débrancher.

Le guide de chant aide à guider l'outil parallèle à une bordure.

- Fixer les tiges (18) dans le guide de chant (11) à l'aide des deux vis (19) fournies.
- Faire glisser les tiges (18) dans la semelle de la toupie comme indiqué.
- Régler le guide de chant à la distance exigée.
- Serrer les vis de fixation (20).

ASSEMBLAGE DE L'ADAPTATEUR DU DISPOSITIF DE DÉPOUSSIÉRAGE (FIG. C)

⚠ AVERTISSEMENT : éteindre la toupie et la débrancher.

L'adaptateur de dispositif de dépoussiérage vous permet de relier l'outil à un aspirateur.

- Installer l'adaptateur du dispositif de dépoussiérage (10) sur la la sortie du dispositif de dépoussiérage comme indiqué.
- Raccorder le tuyau (23) de l'aspirateur à l'adaptateur (10).

FIXATION DU GUIDE POUR GABARIT (FIG. C ET D)

- Attacher le guide pour gabarit (12) à la semelle de la toupie, avec la bride du côté de la face inférieure.
- Insérer les deux longues vis (24), en débutant du côté de la face inférieure, à travers le guide pour gabarit et les trous de la semelle.
- Installer l'adaptateur du dispositif de dépoussiérage sur le dessus de la semelle comme indiqué à la figure C.
- Enfiler un écrou sur chacune des vis et les serrer solidement.

FIXATION DE LA GOUPILLE DE CENTRAGE (FIG. E)

- Attacher le guide de chant à la toupie comme indiqué à la figure B, mais à l'envers.
- Fixer la goupille de centrage (14) sur le guide de chant, du côté de la pièce, à l'aide de la vis fournie (25).

FONCTIONNEMENT

⚠AVERTISSEMENT : toujours débrancher l'outil avant l'assemblage, les réglages ou le changement de fraises pour empêcher une blessure corporelle. Négliger de se conformer à cette mesure peut se solder par un démarrage accidentel et une blessure éventuelle.

⚠AVERTISSEMENT : risque d'utilisation dangereuse. Ne pas surcharger l'outil. Le laisser travailler à sa propre vitesse.

- Faire suivre délicatement le cordon d'alimentation pour empêcher qu'il ne se fasse couper par accident.

RÉGLAGE DE LA PROFONDEUR DE COUPE (FIG. F, G ET H)

⚠AVERTISSEMENT : éteindre la toupie et la débrancher.

- La profondeur de coupe est la distance (X à la figure F) entre la tige de blocage de profondeur (8) et la butée d'arrêt (28). Deux méthodes de réglages de la profondeur de coupe :

RÉGLAGE DE LA PROFONDEUR DE COUPE SUR L'ÉCHELLE (FIG. G)

⚠AVERTISSEMENT : éteindre la toupie et la débrancher.

- Insérer une fraise selon les directives décrites ci-dessus.
- Desserrer la vis de blocage (29).
- Tirer vers le haut sur le levier de verrouillage de travaux en plongée (4).
- Abaisser la toupie jusqu'à ce que la fraise touche la pièce.
- Abaisser le levier de verrouillage de travaux en plongée (4).
- Abaisser la tige de blocage de profondeur (8) contre la butée d'arrêt à l'aide du régulateur de butée (30). Réajuster l'échelle en alignant le repère zéro (31) avec la flèche (32).
- Ajouter la profondeur de coupe souhaitée à la position de départ.
- Déplacer la tige de blocage de profondeur (8) à la position calculée à l'aide du régulateur de butée (30).
- Serrer la vis de blocage (29).
- Utiliser le bouton de réglage (33) précis pour finaliser.
- Tirer vers le haut sur le levier de verrouillage de travaux en plongée (4) et laisser la toupie revenir à sa position d'origine.
- Après le démarrage de la défonceuse, l'abaisser et effectuer la coupe souhaitée.

RÉGLAGE DE LA PROFONDEUR DE LA COUPE À L'AIDE D'UN MORCEAU DE BOIS (FIG. H)

⚠AVERTISSEMENT : éteindre la toupie et la débrancher.

- Insérer la fraise et abaisser la défonceuse comme décrit ci-dessus.
- Desserrer la vis de blocage (29).
- Déplacer la tige de blocage de profondeur (8) à l'aide du régulateur de butée (30).
- Insérer une pièce de bois entre la butée d'arrêt (28) et la tige de blocage de profondeur (8) d'une épaisseur égale à la profondeur de coupe souhaitée.
- Abaisser la tige de blocage de profondeur (8) contre le bois à l'aide du régulateur de butée (30).
- Serrer la vis de blocage (29).
- Utiliser le bouton de réglage (33) précis pour finaliser.
- Retirer la pièce de bois.
- Tirer vers le haut sur le levier de verrouillage de travaux en plongée (4) et laisser la toupie revenir à sa position d'origine.
- Après le démarrage de la défonceuse, l'abaisser et effectuer la coupe souhaitée.

RÉGLAGE DE LA BUTÉE D'ARRÊT DE LA TOURELLE (FIG. I)

⚠AVERTISSEMENT : éteindre la toupie et la débrancher.

Une fois la butée d'arrêt de la tourelle en position, effectuer le réglage précis de la butée d'arrêt à utiliser. Pour rainurer plusieurs fois à différentes profondeurs de coupe, régler chacune des butées d'arrêt.

- Visser ou dévisser la vis (34) de la butée d'arrêt à l'aide d'un tournevis, selon le besoin.

FONCTION DE DÉMARRAGE SOUPLE

La défonceuse est dotée d'une fonctionnalité de « démarrage souple » qui réduit le couple au démarrage offre ainsi une meilleure maîtrise de l'appareil.

MOLLETTE DE CONTRÔLE ÉLECTRONIQUE DE LA VITESSE

La vitesse de rotation de la défonceuse est variable. Utiliser la molette de contrôle électronique de la vitesse (3) pour couper uniformément le bois, les plastiques et l'aluminium. Utiliser une vitesse lente pour des fraises de grand diamètre et la vitesse élevée pour les fraises de petit diamètre.

CONTRÔLE DE VITESSE ÉLECTRONIQUE - CVE

La défonceuse est dotée d'un CVE (contrôle de vitesse électronique). Alors que le travail débute, la vitesse de travail sélectionnée ne ralentit pas en cours d'utilisation normale. La commande électronique contrôle le moteur et vous offre un fini consistant. La vitesse d'avance ralentira sous celle sélectionnée seulement sous une très grande charge de travail. Pour sélectionner la vitesse de rotation de la défonceuse, tourner la molette de contrôle de la vitesse (3). Plus le nombre est élevé et plus la vitesse de rotation l'est aussi.

UTILISATION D'UNE RÈGLE DROITE COMME GUIDE (FIG. J)

⚠AVERTISSEMENT : éteindre la toupie et la débrancher.

Lorsqu'il est impossible d'utiliser le guide de chant comme pour le rainurage au dos d'un panneau d'une bibliothèque pour supporter une étagère, procéder de la façon suivante :

- Déposer une règle droite sur la pièce.
- La déplacer jusqu'à ce qu'elle soit en position pour guider l'outil.
- Fixer solidement la règle droite à la pièce.

UTILISATION DU GUIDE POUR GABARIT (FIG. D)

⚠AVERTISSEMENT : éteindre la toupie et la débrancher.

- Fixer solidement le gabarit sur la pièce avec du ruban à deux faces ou des brides.
- La fraise doit dépasser le rebord du guide pour gabarit afin de couper la pièce suivant la forme du gabarit.

UTILISATION DE LA GOUPILLE DE CENTRAGE (FIG. E)

⚠AVERTISSEMENT : éteindre la toupie et la débrancher.

La goupille de centrage s'utilise pour couper des motifs circulaires.

- Percer un trou, au centre du cercle à découper, pour la pointe de la goupille de centrage.
- Déposer la toupie sur la pièce avec la pointe de la goupille de centrage dans le trou percé.
- Régler le rayon du cercle à l'aide des tiges du guide de chant.
- Il est alors possible de déplacer la toupie sur la pièce pour découper le cercle.

MISE EN MARCHÉ ET ARRÊT

Mise en marche

- Appuyer sur la gâchette (1).

Mise à l'arrêt

- Relâcher la gâchette.

Fonctionnement en continu

- Pour bloquer la gâchette pour un fonctionnement en continu, appuyer sur la gâchette (1) et la maintenir en position puis enfoncer le bouton de verrouillage (2). Tenir le bouton enfoncé tout en relâchant la gâchette et l'outil fonctionnera en continu. Pour éteindre l'outil, appuyer sur et relâcher la gâchette en séquence.

⚠AVERTISSEMENT : risque d'utilisation dangereuse. Pour empêcher une perte de maîtrise, toujours utiliser la toupie avec les deux mains.

UTILISATION DE LA TOUPIE (DÉFONCEUSE)

- S'assurer que le matériel à couper soit bien fixé et suffisamment stable pour supporter la défonceuse en cours de fonctionnement.
- Utiliser les deux mains sur les poignées pour commander la défonceuse.
- Déplacer la défonceuse en sens antihoraire lors du rainurage de bords externes. La

déplacer en sens horaire lors de rainurage de bordures internes. Consulter la figure K.

- Toujours tenir la défonceuse par le devant de sorte que l'écran pare-copeaux soit entre l'utilisateur et la fraise.
- Une fois la profondeur de coupe établie selon les directives décrites, positionner la défonceuse directement au-dessus du point de coupe. Avec le moteur en marche, abaisser l'appareil doucement sur la pièce. (NE PAS FORCER LA TOUPIE VERS LE BAS). Lorsque l'outil a atteint la profondeur de coupe prédéfinie, serrer le levier de la défonceuse. À la fin du rainurage, desserrer le levier et laisser le mécanisme à ressort dégager la défonceuse de la pièce.

REMARQUE : toujours rainurer en opposition, soit à l'opposé de la rotation de la fraise.

VITESSE ET TAUX DE RAINURAGE

- Les différences entre les matériaux et les modèles de fraise renvoient à une vaste gamme de vitesse de rainurage. L'expérience demeure le meilleur moyen pour déterminer la vitesse de rainurage. Se familiariser avec le son et la sensation de la défonceuse en effectuant des essais de coupe sur des chutes de matériel. Effectuer un premier réglage de la vitesse de rotation, sélectionner un régime élevé pour des fraises de petits diamètres et un régime plus lent pour des fraises plus larges.

La fraise tourne à un régime très élevé et peut surchauffer si la défonceuse se déplace trop lentement dans le bois. Ceci laisse des marques de brûlure. Par contre, déplacer la défonceuse trop rapidement ou essayer de retirer trop de matière en un seul passage surchargera le moteur. Utiliser deux ou plusieurs passages pour le rainurage extra large (plus de 1/8 po (3 mm) de profondeur) principalement dans le bois dur.

UTILISATION DE LA DÉFONCEUSE AVEC L'ASPIRATEUR

- Lors de l'utilisation du dispositif de dépoussiérage, s'assurer que l'aspirateur n'entrave pas les déplacements et qu'il soit fixe de sorte qu'il ne basculera pas ou ne gênera pas la défonceuse ou la pièce. Positionner également le tuyau d'aspiration et le cordon d'alimentation de l'aspirateur de sorte qu'ils ne gênent pas la défonceuse ou la pièce. S'il est impossible de bien positionner l'aspirateur ou son tuyau, retirer l'appareil.
- Démarrer l'aspirateur avant la défonceuse.
- Vider l'aspirateur au besoin.

CONSEILS POUR UNE UTILISATION OPTIMALE

Lors de rainurage sur des bords externes, déplacer l'outil en sens antihoraire (fig. K). Pour le travail sur des bordures internes, le déplacer en sens horaire.

- Utiliser des fraises à acier rapide HSS (high speed steel) pour le bois tendre.
- Utiliser des fraises à pointe de carbure de tungstène TCT (tungsten carbide tipped) pour le bois dur.
- Utiliser l'outil sans guide (fig. L). Une méthode pratique pour la fabrication d'affiche écrite et de travaux créatifs. N'effectuer que des rainures peu profondes.
- Consulter la table ci-dessous pour les principaux types de fraises.

FRAISES DE TOUPIE (FIG. M) (NON COMPRISES)

- **Ne pas utiliser de fraises avec un diamètre supérieur à 41 mm (1-5/8 po).** L'utilisation de fraise de diamètre supérieur à celles recommandées peut s'avérer dangereuse.

Description	Application
Fraise droite (1)	Rainures et feuillures
Fraise à découper (2)	Dresse le stratifié ou le bois dur; profilé précis à l'aide d'un gabarit
Fraise à feuillurer (3)	Feuillurage de pièces droites ou avec courbes
Fraise à rainurer en V (4)	Rainures, engravures et biseautage de bordures
Fraise à rainurer à fond arrondi (5)	Cannelures, engravures et moulurage décoratif de bordures
Fraise à congé (6)	Moulurage décoratif de bordures
Fraise à doucine (7)	Moulurage décoratif de bordures
Fraise à arrondir (8)	Arrondissement de bordures
Fraise à queue d'aronde (9)	Assemblages à queue d'aronde
Fraise à chanfreiner (10)	Chanfreinage de bordures

Dépannage

Problème possible	Cause possible	Solution
• L'appareil refuse de démarrer.	• Cordon d'alimentation non branché. • Le fusible du circuit est grillé.	• Brancher le cordon d'alimentation. • Remplacer le fusible du circuit.
	• Le disjoncteur est déclenché.	• Réinitialiser le disjoncteur.
	• Le cordon ou la gâchette est endommagé(e).	• Faire remplacer le cordon ou la gâchette à un centre de réparation de Black & Decker ou un centre de réparation autorisé.

Pour de l'aide avec l'outil, consulter notre site Web **www.black&decker.com** pour l'emplacement du centre de réparation le plus près ou communiquer avec l'assistance **BLACK & DECKER** au **1-800-544-6986**.

ENTRETIEN

L'outil a été conçu pour fonctionner longtemps avec un minimum d'entretien. Un fonctionnement satisfaisant continu dépend du bon entretien et du nettoyage régulier de l'outil.

⚠ AVERTISSEMENT : toujours débrancher l'outil avant tout entretien pour empêcher une blessure corporelle. Négliger de se conformer à cette mesure peut se solder par un démarrage accidentel et une blessure éventuelle.

- Nettoyer régulièrement les orifices de ventilation de l'outil à l'aide d'une brosse douce ou d'un chiffon sec.
- Nettoyer régulièrement le boîtier du moteur à l'aide d'un chiffon humide. Ne pas utiliser de produits nettoyants abrasifs ou à base de solvants.

IMPORTANT :

Pour garantir la **SÉCURITÉ** et la **FIABILITÉ** du produit, les réparations, l'entretien et le réglage (autres que ceux énumérés dans ce mode d'emploi) doivent être réalisés par un centre de réparation autorisé ou tout autre professionnel de réparation qualifié, en utilisant toujours des pièces de rechange identiques.

ACCESSOIRES

Les accessoires recommandés pouvant être utilisés avec l'outil sont disponibles auprès de votre distributeur local ou centre de réparation autorisé. Pour tout renseignement concernant les accessoires, composer le : **1 (800) 54-HOW-TO (544-6986)**.

⚠ AVERTISSEMENT : pour réduire le risque de blessure, ne pas utiliser d'accessoires prévus pour un régime inférieur au régime maximum indiqué sur la plaque signalétique de l'outil. L'utilisation de fraises à toupie surdimensionnées ou de tout accessoire non recommandé pour une utilisation avec l'outil pourrait s'avérer dangereuse.

INFORMATION SUR LES RÉPARATIONS

Tous les centres de réparation Black & Decker sont dotés de personnel qualifié en matière d'outillage électrique; ils sont donc en mesure d'offrir à leur clientèle un service efficace et fiable. Que ce soit pour un avis technique, une réparation ou des pièces de rechange authentiques installées en usine, communiquer avec l'établissement Black & Decker le plus près de chez vous. Pour trouver l'établissement de réparation de votre région, consulter le répertoire des Pages jaunes à la rubrique « Outils électriques » ou composer le numéro suivant : **1-800-544-6986** ou consulter le site **www.blackanddecker.com**

GARANTIE COMPLÈTE DE DEUX ANS POUR UNE UTILISATION DOMESTIQUE

Black & Decker (É.-U.) Inc. garantit ce produit pour une durée de deux ans contre tout défaut de matériau ou de fabrication. Le produit défectueux sera remplacé ou réparé sans frais de l'une des deux façons suivantes :

La première façon consiste en un échange chez le détaillant où le produit a été acheté (à la condition que le magasin soit un détaillant participant). Tout retour doit se faire durant la période correspondant à la politique d'échange du détaillant (habituellement, de 30 à 90 jours après l'achat). Une preuve d'achat peut être requise. Vérifier auprès du détaillant pour connaître sa politique concernant les retours hors de la période définie pour les échanges.

La deuxième option est d'apporter ou d'envoyer le produit (transport payé d'avance) à un centre de réparation autorisé ou à un centre de réparation de Black & Decker pour faire réparer ou échanger le produit, à notre discrétion. Une preuve d'achat peut être requise. Les centres de réparation de Black & Decker et les centres de réparation autorisés sont répertoriés dans les pages jaunes sous la rubrique « Outils électriques » de l'annuaire téléphonique et sont disponibles sur notre site Web www.blackanddecker.com.

Cette garantie ne s'applique pas aux accessoires. Cette garantie vous accorde des droits légaux spécifiques et vous pourriez avoir d'autres droits qui varient d'un État ou d'une province à l'autre. Pour toute question, communiquez avec le directeur du centre de réparation Black & Decker le plus près de chez vous. Ce produit n'est pas destiné à un usage commercial.

REPLACEMENT GRATUIT DES ÉTIQUETTES D'AVERTISSEMENT : si les étiquettes d'avertissement deviennent illisibles ou sont manquantes, composer le **1-800-544-6986** pour en obtenir le remplacement gratuit.

GARANTIE SPÉCIALE – AVIS POUR LES ENTREPRENEURS :

Les produits de marque FIRESTORM™ sont vendus dans les magasins haut de gamme d'outils domestiques et possède une garantie pour **UTILISATION DOMESTIQUE**. Ces outils sont conçus, fabriqués et testés pour répondre ou excéder les besoins du bricoleur pour l'exécution de projets et de réparations domestiques. Utilisés de façon adéquate, ils offriront aux propriétaires de maison une puissance et un rendement supérieurs bien au-delà de la garantie de deux (2) ans. Toutefois, si vous utilisez des outils pour gagner votre vie et que vous utilisez les produits de la marque FIRESTORM™ ou tout outil à usage domestique Black & Decker **SUR LE CHANTIER**, vous devez savoir que ces outils **NE PEUVENT PAS ÊTRE COUVERTS PAR NOTRE GARANTIE**.

Imported by / Importé par
Black & Decker Canada Inc.
100 Central Ave.
Brockville (Ontario) K6V 5W6

Voir la rubrique "Outils électriques"
des Pages Jaunes
pour le service et les ventes.



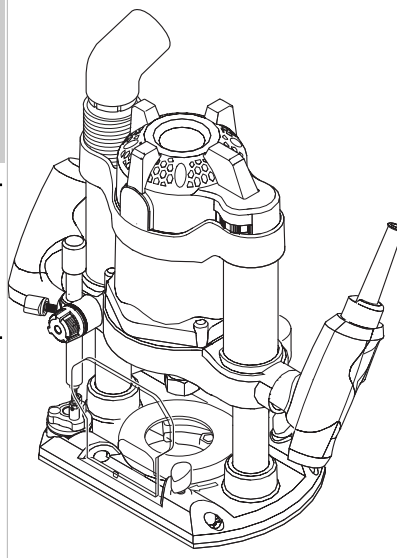
FIRESTORM
HIGH PERFORMANCE TOOLS

OUTILS À HAUT RENDEMENT
HERRAMIENTAS DE ALTO RENDIMIENTO

BY **BLACK & DECKER**

**FS1200RP REBAJADORA
DE VELOCIDAD VARIABLE**

MANUAL DE INSTRUCCIONES



Número de catálogo FS1200RP

**¡GRACIAS POR ELEGIR BLACK & DECKER!
VAYA A WWW.BLACKANDDECKER.COM/NEWOWNER
PARA REGISTRAR SU NUEVO PRODUCTO.**

**ANTES DE DEVOLVER ESTE PRODUCTO POR
CUALQUIER MOTIVO, LLAME AL (55) 5326-7100**

CONSERVE ESTE MANUAL PARA FUTURAS CONSULTAS.

Normas generales de seguridad

⚠️ ADVERTENCIA: Lea todas las instrucciones. El incumplimiento de todas y cada una de las instrucciones enumeradas a continuación puede provocar una descarga eléctrica, un incendio y/o lesiones graves. El término "herramienta eléctrica" incluido en todas las advertencias enumeradas a continuación hace referencia a su herramienta eléctrica operada con corriente (cable eléctrico) o a su herramienta eléctrica operada con baterías (inalámbrica).

⚠️ ADVERTENCIA: Para reducir el riesgo de lesiones, el usuario debe leer el manual de instrucciones.

CONSERVE ESTAS INSTRUCCIONES

1) SEGURIDAD EN EL ÁREA DE TRABAJO

- Mantenga el área de trabajo limpia y bien iluminada.** Las áreas abarrotadas y oscuras propician accidentes.
- No opere herramientas eléctricas en atmósferas explosivas, como ambientes donde se encuentran líquidos, gases o polvo inflamables.** Las herramientas eléctricas originan chispas que pueden encender el polvo o los vapores.
- Mantenga a los niños y espectadores alejados de la herramienta eléctrica en funcionamiento.** Las distracciones pueden provocar la pérdida de control.

2) SEGURIDAD ELÉCTRICA

- Los enchufes de la herramienta eléctrica deben adaptarse al tomacorriente. Nunca modifique el enchufe de ninguna manera. No utilice ningún enchufe adaptador con herramientas eléctricas con conexión a tierra.** Los enchufes no modificados y que se adaptan a los tomacorrientes reducirán el riesgo de descarga eléctrica.
- Evite el contacto corporal con superficies puestas a tierra, como por ejemplo tuberías, radiadores, rangos y refrigeradores.** Existe mayor riesgo de descarga eléctrica si su cuerpo está puesto a tierra.
- No exponga las herramientas eléctricas a la lluvia o a condiciones de humedad.** Si ingresa agua a una herramienta eléctrica, aumentará el riesgo de descarga eléctrica.
- No use el cable indebidamente. Nunca utilice el cable para transportar, tirar o desenchufar la herramienta eléctrica.** Mantenga el cable alejado del calor, el aceite, los bordes filosos o las piezas móviles. Los cables dañados o enredados aumentan el riesgo de descarga eléctrica. Repare o reemplace los cables dañados. Asegúrese de que el cable prolongador esté en buenas condiciones. Utilice solamente cables prolongadores de 3 conductores que tengan enchufes a tierra de 3 patas y receptáculos tripolares que se adapten al enchufe de la herramienta.
- Al operar una herramienta eléctrica en el exterior, utilice un cable prolongador adecuado para tal uso.** Utilice un cable adecuado para uso en exteriores a fin de reducir el riesgo de descarga eléctrica. Cuando utilice un cable prolongador, asegúrese de que tenga la capacidad para conducir la corriente que su producto exige. Un cable de menor capacidad provocará una disminución en el voltaje de la línea que producirá pérdida de potencia y sobrecalentamiento. La siguiente tabla muestra la medida correcta que debe utilizar según la longitud del cable y la capacidad nominal en amperios indicada en la placa. En caso de duda, utilice el calibre inmediatamente superior. Cuanto menor es el número de calibre, más grueso es el cable.

Calibre mínimo para cables prolongadores					
Voltios	Largo total del cable en pies				
120 V	0-25	26-50	51-100	101-150	
240 V	0-50	51-100	101-200	201-300	
Capacidad nominal en amperios					
Más de que	No más de que	Medida de conductor estadounidense			
0	- 6	18	16	16	14
6	- 10	18	16	14	12
10	- 12	16	16	14	12
12	- 16	14	12	No Recomendado	

3) SEGURIDAD PERSONAL

- a) **Permanezca alerta, controle lo que está haciendo y utilice el sentido común cuando emplee una herramienta eléctrica. No utilice una herramienta eléctrica si está cansado o bajo el efecto de drogas, alcohol o medicamentos.** Un momento de descuido mientras se opera una herramienta eléctrica podría provocar daños personales graves.
- b) **Use equipo de seguridad. Siempre utilice protección para los ojos.** El equipo de seguridad, como las máscaras para polvo, el calzado de seguridad antideslizante, los cascos o la protección auditiva utilizados para condiciones adecuadas reducirán las lesiones personales.
- c) **Evite el encendido por accidente. Asegúrese de que el interruptor esté en la posición de apagado antes de enchufar la herramienta.** Transportar herramientas eléctricas con su dedo apoyado sobre el interruptor o enchufar herramientas eléctricas con el interruptor en posición de encendido puede propiciar accidentes.
- d) **Retire las clavijas de ajuste o llaves de tuercas antes de encender la herramienta eléctrica.** Una llave de tuercas o una clavija de ajuste que se deje conectada a una pieza giratoria de la herramienta eléctrica pueden provocar lesiones personales.
- e) **No se estire. Conserve el equilibrio adecuado y manténgase parado correctamente en todo momento.** Esto permite un mejor control de la herramienta eléctrica en situaciones inesperadas.
- f) **Use la vestimenta adecuada. No use ropas holgadas o joyas. Mantenga el cabello, la ropa y los guantes alejados de las piezas en movimiento.** Las ropas holgadas, las joyas o el cabello largo pueden quedar atrapados en las piezas móviles. Los orificios de ventilación suelen cubrir piezas móviles, por lo que también se deben evitar.
- g) **Si se suministran dispositivos para la conexión de accesorios para la recolección y extracción de polvo, asegúrese de que estén conectados y se utilicen correctamente.** El uso de estos dispositivos puede reducir los peligros relacionados con el polvo.

4) USO Y MANTENIMIENTO DE LA HERRAMIENTA ELÉCTRICA

- a) **No fuerce la herramienta eléctrica. Utilice la herramienta eléctrica correcta para el trabajo que realizará.** Si se la utiliza a la velocidad para la que fue diseñada, la herramienta eléctrica correcta permite trabajar mejor y de manera más segura.
- b) **No utilice la herramienta eléctrica si no puede encenderla o apagarla con el interruptor.** Toda herramienta eléctrica que no pueda ser controlada mediante el interruptor es peligrosa y debe repararse.
- c) **Desconecte el enchufe de la fuente de energía y/o el paquete de baterías de la herramienta eléctrica antes de realizar ajustes, cambiar accesorios o almacenar herramientas eléctricas.** Estas medidas de seguridad preventivas reducen el riesgo de encender la herramienta eléctrica en forma accidental.
- d) **Guarde las herramientas eléctricas que no están en uso fuera del alcance de los niños y no permita que otras personas no familiarizadas con la herramienta eléctrica o con estas instrucciones la operen.** Las herramientas eléctricas son peligrosas si son operadas por usuarios no capacitados.
- e) **Realice el mantenimiento de las herramientas eléctricas. Controle que no haya piezas móviles mal alineadas o trabadas, piezas rotas y toda otra situación que pueda afectar el funcionamiento de las herramientas eléctricas. Si encuentra daños, haga reparar la herramienta eléctrica antes de utilizarla.** Las herramientas eléctricas que carecen de un mantenimiento adecuado son causales de muchos accidentes.
- f) **Mantenga las herramientas de corte afiladas y limpias.** Las herramientas de corte con mantenimiento adecuado y con los bordes de corte afilados son menos propensas a trabarse y son más fáciles de controlar.
- g) **Utilice la herramienta eléctrica, los accesorios y las brocas de la herramienta, etc. de acuerdo con estas instrucciones y de la forma prevista para el tipo de herramienta eléctrica en particular, teniendo en cuenta las condiciones de trabajo y el trabajo que debe realizarse.** El uso de la herramienta eléctrica para operaciones diferentes de aquéllas para las que fue diseñada podría originar una situación peligrosa.

5) MANTENIMIENTO

- a) **Solicite a una persona calificada en reparaciones que realice el mantenimiento de su herramienta eléctrica y que sólo utilice piezas de repuesto idénticas.** Esto garantizará la seguridad de la herramienta eléctrica.
- b) **En caso de ser necesario el reemplazo del cable de alimentación,** deberá ser el fabricante o su agente quien lo realice a fin de evitar un riesgo de seguridad.

NORMAS DE SEGURIDAD ESPECÍFICAS

⚠ADVERTENCIA: Lea todas las instrucciones. El incumplimiento de todas y cada una de las instrucciones enumeradas a continuación puede provocar una descarga eléctrica, un incendio y/o lesiones graves.

- **Cuando realice una operación donde la herramienta de corte puede tocar cables eléctricos escondidos o su propio cable, sosténgala por las superficies aisladas de agarre.** El contacto con un cable con corriente eléctrica hará que las partes expuestas de la herramienta tengan corriente y que el operador reciba una descarga eléctrica.
- **Utilice abrazaderas u otra forma práctica para asegurar y sostener la pieza de trabajo en una plataforma estable.** Sostener el trabajo con la mano o contra el cuerpo no brinda la estabilidad requerida y puede llevar a la pérdida del control.
- **Mantenga los mangos secos, limpios y libres de aceite y grasa.** Esto posibilitará un mejor control de la herramienta.
- **Mantenga las manos lejos de las zonas de corte. Nunca se extienda debajo de la pieza de trabajo por ningún motivo. Cuando corte, mantenga con firmeza la base de la rebajadora en contacto con la pieza de trabajo. Sólo sujete la rebajadora por los mangos.** Estas precauciones reducirán el riesgo de lesiones personales.
- **Use cuchillas afiladas.** Las cuchillas desafiladas pueden hacer que la sierra se desvíe o se atasque al recibir presión.
- **Nunca toque la broca inmediatamente después de haberla usado.** Puede estar extremadamente caliente.
- **Antes de soltar la rebajadora, asegúrese de que el motor se haya detenido completamente.** Dejar la herramienta cuando el cabezal de la cuchilla aún se encuentra girando puede causar una lesión o un daño.
- **Asegúrese de que la broca de la rebajadora se halle fuera de la pieza de trabajo antes de encender el motor.** Si la broca está en contacto con la pieza de trabajo cuando se arranca el motor, la broca podría saltar y esto ocasionaría una lesión o un daño.
- **Sólo use brocas para rebajadora con un diámetro igual al tamaño del collar instalado en la herramienta.**
- **Sólo use brocas para rebajadora adecuadas para la velocidad sin carga de la herramienta.**
- **Nunca use brocas para rebajadoras con un diámetro que exceda el diámetro máximo de 1 5/8".**
- **Esta herramienta no está diseñada para utilizarla con una mesa de rebajadora. No utilice la herramienta en posición invertida.**
- **No intente usar la herramienta en un modo estacionario.**
- **Asegúrese de que la tuerca del collar se encuentre bien ajustada para evitar que la broca se caiga durante el uso.**

⚠ADVERTENCIA: Algunas partículas originadas al lijar, aserrar, amolar, taladrar y realizar otras actividades de construcción contienen productos químicos que producen cáncer, defectos de nacimiento y otros problemas reproductivos.

Algunos ejemplos de estos productos químicos son:

- el plomo de las pinturas con base de plomo,
- la sílice cristalina de los ladrillos, el cemento y otros productos de mampostería,
- el arsénico y el cromo de la madera con tratamiento químico (CCA).

El riesgo derivado de estas exposiciones varía según la frecuencia con la que se realice este tipo de trabajo. Para reducir la exposición a estos productos químicos, se recomienda trabajar en áreas bien ventiladas y usar equipos de seguridad aprobados, como las máscaras para polvo especialmente diseñadas para filtrar las partículas microscópicas.

- Evite el contacto prolongado con las partículas de polvo que se originan al lijar, aserrar, esmerilar, taladrar y realizar demás actividades de la construcción. Use indumentaria protectora y lave las áreas expuestas con agua y jabón. Evite que el polvo entre en la boca y en los ojos o se deposite en la piel, para impedir la absorción de productos químicos nocivos.

⚠ **ADVERTENCIA:** El uso de esta herramienta puede generar o dispersar partículas de polvo, que pueden causar lesiones respiratorias permanentes y graves u otras lesiones. Use siempre protección respiratoria aprobada por NIOSH/OSHA (Instituto Nacional de Salud y Seguridad Ocupacional de EE.UU./Administración de la Salud y Seguridad Ocupacional de EE.UU.) apropiada para la exposición al polvo. Evite el contacto de la cara y el cuerpo con las partículas.

⚠ **PRECAUCIÓN:** Mientras use la herramienta, utilice la protección auditiva adecuada. En ciertas circunstancias y según el período de uso, el ruido provocado por este producto puede originar pérdida de audición.

La etiqueta de su herramienta puede incluir los siguientes símbolos.

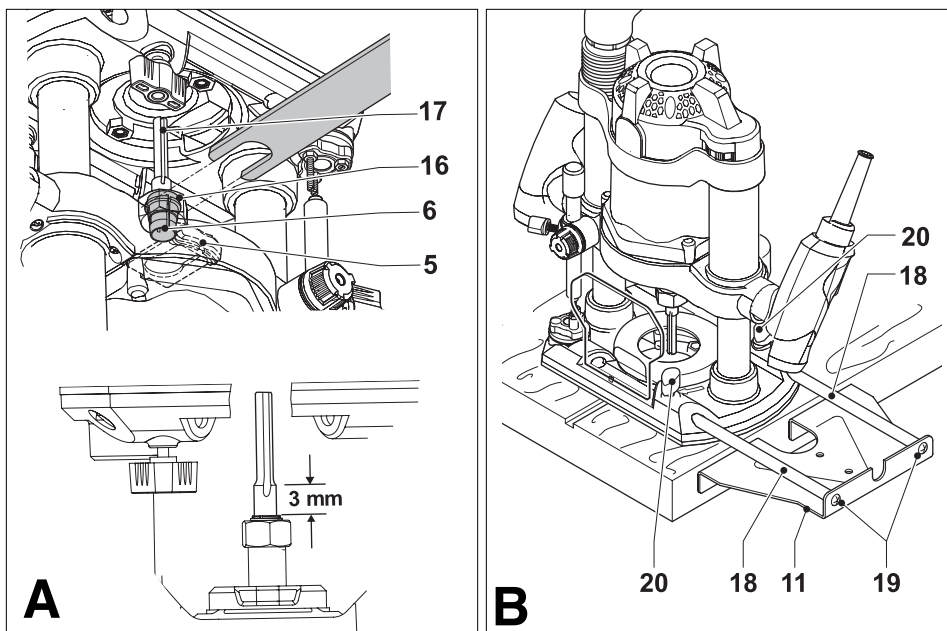
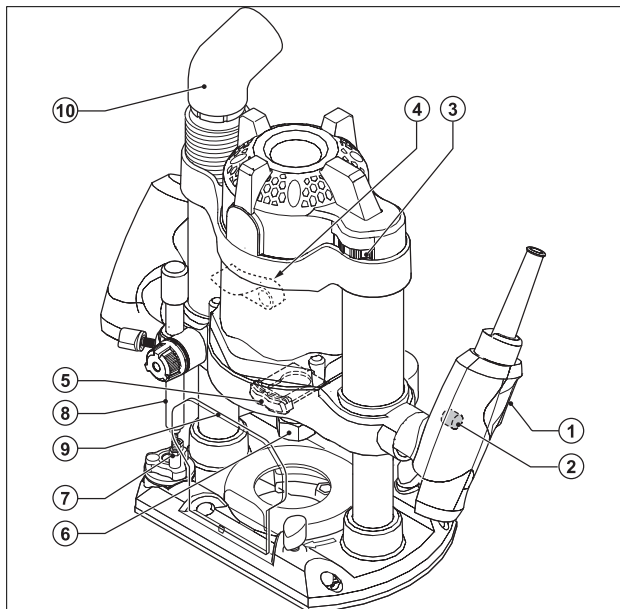
V	voltios	A.....	amperios
Hz	hertz	W.....	vatios
min ..	minutos	~	corriente alterna
====	corriente continua	n ₀	velocidad sin carga
☐	Construcción de clase II	⊕	terminal a tierra
⚠	símbolo de alerta	.../min	revoluciones o
	seguridad		reciprocaciones por minuto

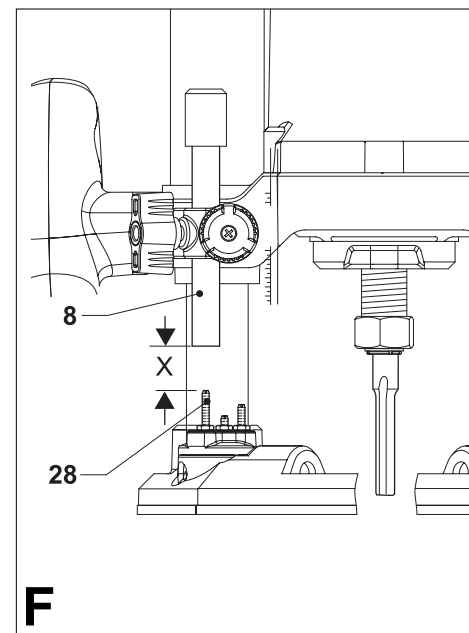
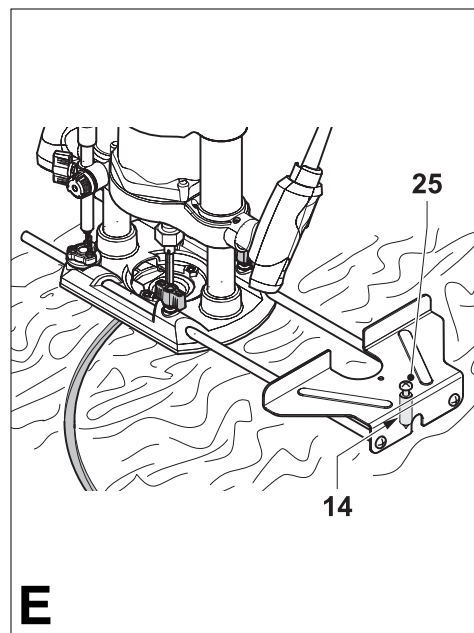
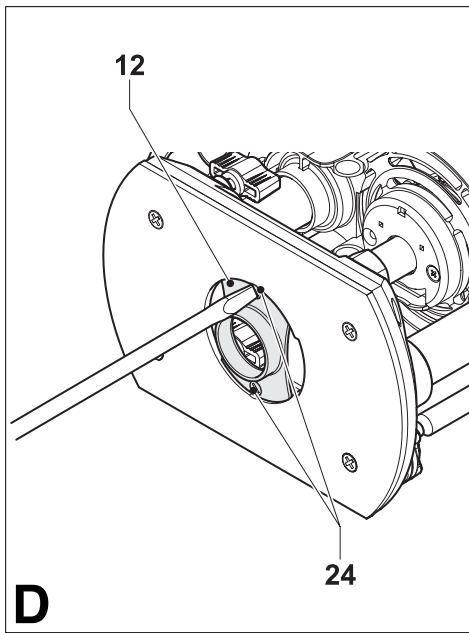
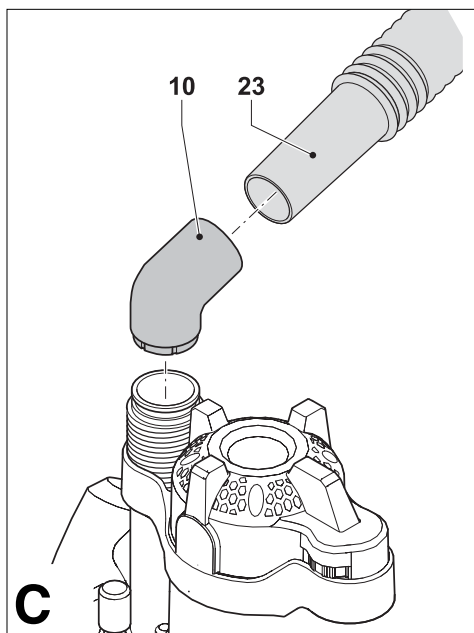
Motor

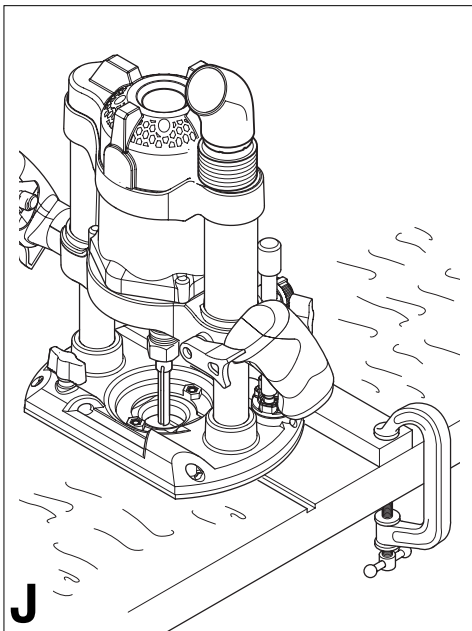
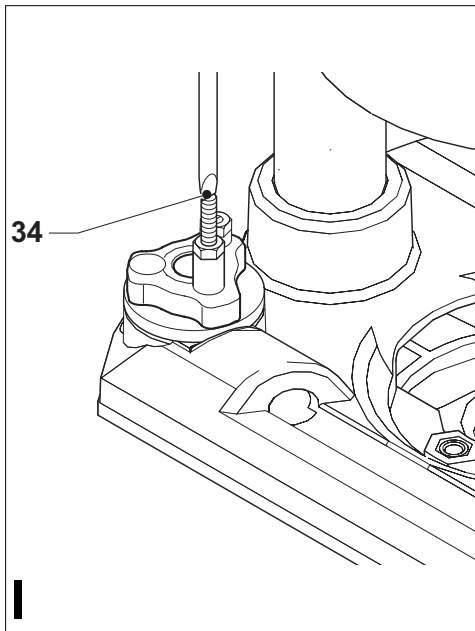
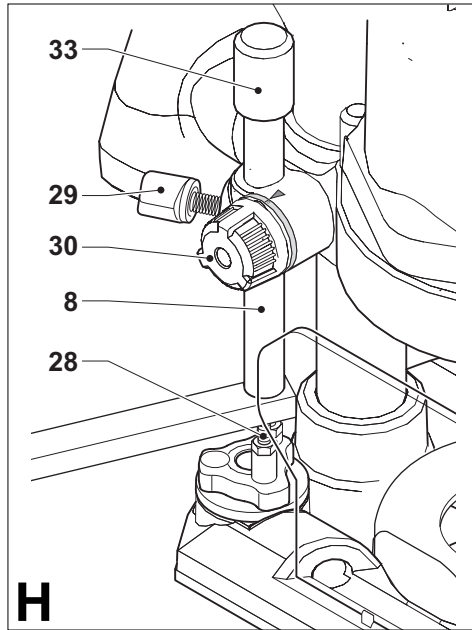
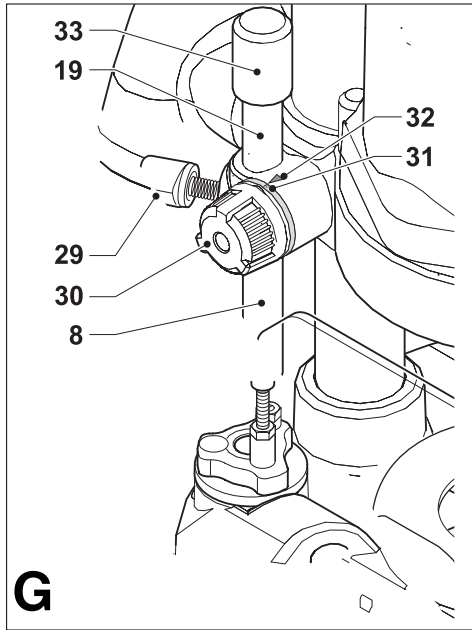
Asegúrese de que el suministro de energía concuerde con el indicado en la placa. CA de 120 voltios solamente significa que su herramienta funcionará con la energía doméstica estándar de 60 Hz. No haga funcionar las herramientas para corriente alterna (CA) con corriente continua (CC). Una capacidad nominal de CA/CC de 120 voltios significa que su herramienta funcionará con energía estándar de CA o CC de 60 Hz. Esta información está impresa en la placa. Una tensión menor producirá una pérdida de potencia y podría provocar el sobrecalentamiento de la herramienta. Todas las herramientas Black & Decker se prueban en fábrica. Si esta herramienta no funciona, revise el suministro eléctrico.

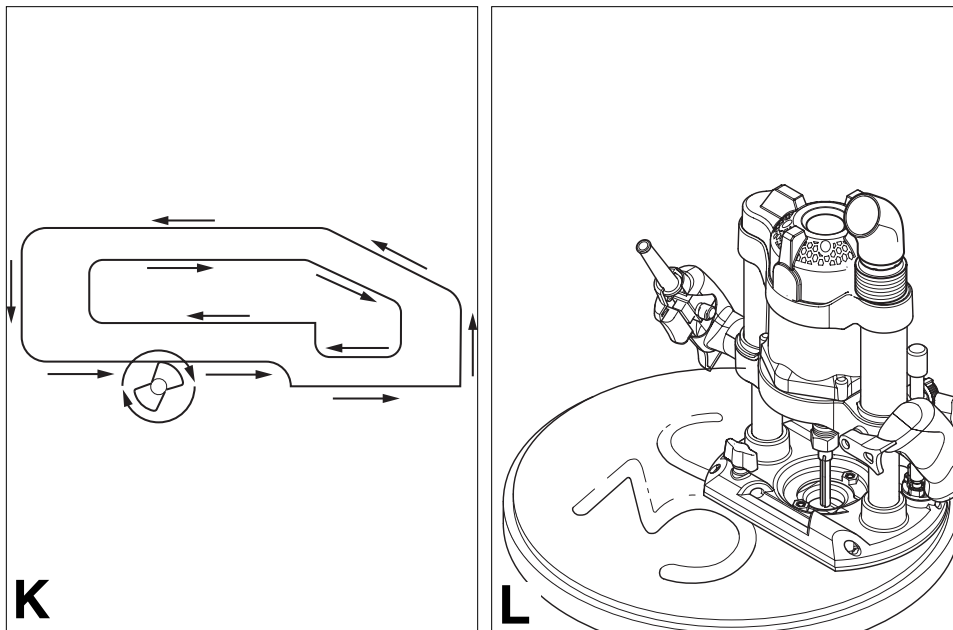
CARACTERÍSTICAS

1. Interruptor de Encendido/Apagado
2. Botón de bloqueo
3. Perilla de control de la velocidad variable
4. Palanca de bloqueo de la rebajadora
5. Botón de bloqueo del eje
6. Collar
7. Tope de profundidad con torreta
8. Barra de tope de profundidad
9. Escala para profundidad de corte
10. Adaptador para extracción de polvo

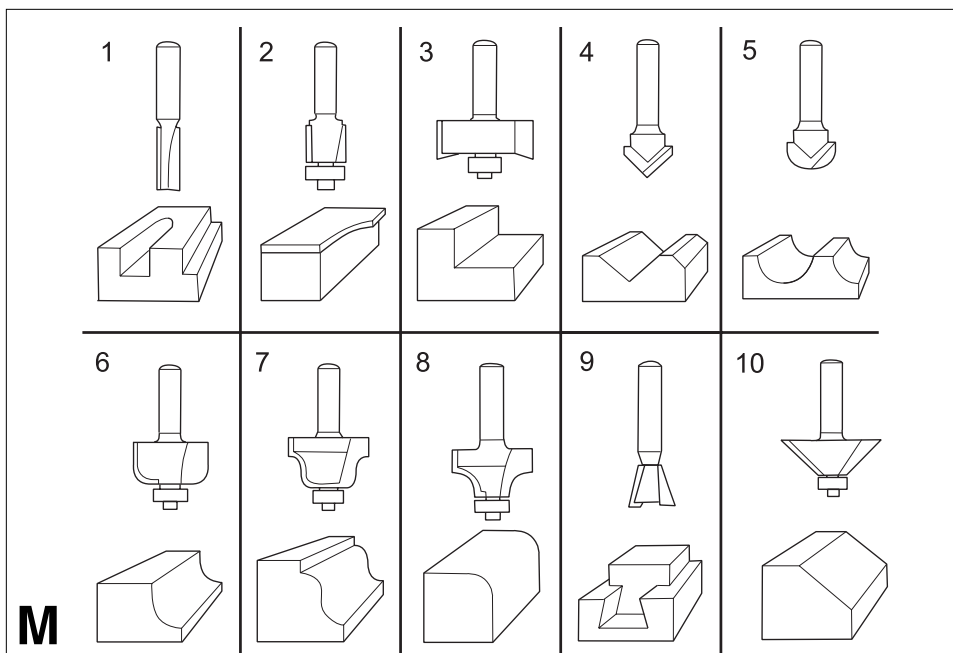








BROCAS DISPONIBLES COMO ACCESORIOS - NO SE SUMINISTRAN



MONTAJE

⚠ADVERTENCIA: Para evitar lesiones personales, siempre desconecte el enchufe de la fuente de energía antes de ensamblar la unidad, realizarle ajustes o cambiarle las brocas. El incumplimiento de dicha indicación puede ocasionar el arranque accidental de la herramienta y posibles lesiones.

INSTALACIÓN Y EXTRACCIÓN DE UNA BROCA DE REBAJADORA (FIG. A)

⚠ADVERTENCIA: Apague la rebajadora y desconéctela de la fuente de energía.

Instalación

- Retire la escala para profundidad de corte (9).
- Mantenga oprimido el botón de bloqueo del eje (5) y gire el eje hasta que el bloqueo quede totalmente trabado.
- Afloje la tuerca del collar (16) con la llave de tuercas provista.
- Inserte el vástago de la broca de rebajadora (17) en el collar (6). Asegúrese de que el vástago sobresalga al menos 3 mm (1/8") del collar, como se muestra.
- Mantenga oprimido el botón de bloqueo del eje (5) y ajuste la tuerca del collar (16) con la llave de tuercas provista.

Retiro

⚠PRECAUCIÓN: : Riesgo de quemadura Las brocas de rebajadora se calientan durante el uso. Deje que la broca se enfríe antes de reemplazarla.

- Mantenga oprimido el botón de bloqueo del eje (5).
- Afloje la tuerca del collar (16) con la llave de tuercas provista.

CONEXIÓN DE LA GUÍA DE CORTE (FIG. B)

⚠ADVERTENCIA: Apague la rebajadora y desconéctela de la fuente de energía.

La guía de corte ayuda a guiar la herramienta en forma paralela a un borde.

- Ajuste las barras (18) a la guía de corte (11) con los dos tornillos (19) provistos.
- Inserte las barras (18) en la rebajadora como se muestra.
- Fije la guía de corte a la distancia requerida.
- Ajuste los tornillos de fijación (20).

CONEXIÓN DEL ADAPTADOR PARA EXTRACCIÓN DE POLVO (FIG. C)

El adaptador para extracción de polvo le permite conectar una aspiradora a la herramienta.

- Coloque el adaptador para extracción de polvo (10) sobre la base de la herramienta como se muestra.
- Conecte la manguera (23) de la aspiradora al adaptador (10).

CONEXIÓN DE LA GUÍA DE CORTE (FIG. C Y D)

- Conecte la guía para plantillas (12) a la base de la rebajadora, con la brida hacia el lado de abajo.
- Inserte los dos tornillos largos (24) desde el lado de abajo a través de la guía para plantillas y los orificios en la base.
- Coloque el adaptador para extracción de polvo en la parte superior de la base, como se ven en la fig. C.
- Coloque una tuerca sobre cada uno de los tornillos y ajústelas firmemente.

COLOCACIÓN DE LA CLAVIJA DE CENTRADO (FIG. E)

- Conecte la guía de corte a la rebajadora como se muestra en la fig. B, pero con el lado de abajo hacia arriba.
- Con el tornillo (25) provisto, conecte la clavija de centrado (14) al lado de la guía de corte en que se coloca la pieza de trabajo.

FUNCIONAMIENTO

⚠ADVERTENCIA: Para evitar lesiones personales, siempre desconecte el enchufe de la fuente de energía antes del ensamblado, la realización de ajustes o el cambio de broca. De lo contrario, se podría producir el encendido por accidente, lo que podría causar lesiones.

⚠ADVERTENCIA: Riesgo de operación insegura. No sobrecargue la herramienta. Deje que trabaje a su propio ritmo.

- Guíe el cable cuidadosamente para evitar cortarlo por accidente.

AJUSTE DE LA PROFUNDIDAD DE CORTE (FIG. F, G Y H)

⚠ADVERTENCIA: Apague la rebajadora y desconéctela de la fuente de energía.

- La profundidad de corte es la distancia (X en la figura F) entre la barra del tope de profundidad (8) y el tope de profundidad (28). La profundidad del corte se puede fijar de dos formas distintas, como se describe a continuación.

AJUSTE DE LA PROFUNDIDAD DE CORTE CON LA ESCALA (FIG. G)

⚠ADVERTENCIA: Apague la rebajadora y desconéctela de la fuente de energía.

- Instale la broca de la rebajadora como se describió anteriormente.
- Afloje el tornillo de bloqueo (29).
- Tire la palanca del bloqueo de hundimiento (4) hacia arriba.
- Hunda la rebajadora hasta que la broca toque la pieza de trabajo.
- Empuje la palanca del bloqueo de hundimiento (4) hacia abajo.
- Mueva la barra del tope de profundidad (8) hacia abajo contra el tope de profundidad con el ajustador (30). Para volver a configurar la escala, coloque la marca de cero (31) en línea con la flecha (32).
- Agregue la profundidad de corte deseada a la posición inicial.
- Mueva la barra del tope de profundidad (8) a la posición calculada con el ajustador del tope de profundidad (30).
- Afloje el tornillo de bloqueo (29).
- Realice un ajuste fino con la perilla de ajuste (33).
- Tire de la palanca del bloqueo de hundimiento (4) hacia arriba y deje que la rebajadora vuelva a la posición original.
- Después de prender la rebajadora, húngala y realice el corte deseado.

AJUSTE DE LA PROFUNDIDAD DE CORTE CON UNA PIEZA DE MADERA (FIG. H)

⚠ADVERTENCIA: Apague la rebajadora y desconéctela de la fuente de energía.

- Instale la broca de rebajadora y deslice la rebajadora hacia abajo como se describió anteriormente.
- Afloje el tornillo de bloqueo (29).
- Mueva la barra del tope de profundidad (8) con el ajustador del tope de profundidad (30).
- Coloque una pieza de madera con un espesor igual al de la profundidad de corte deseada entre el tope de profundidad (28) y la barra del tope de profundidad (8).
- Mueva la barra del tope de profundidad (8) contra la madera con el ajustador del tope de profundidad (30).
- Afloje el tornillo de bloqueo (29).
- Realice un ajuste fino con la perilla de ajuste (33).
- Retire la pieza de madera.
- Tire de la palanca del bloqueo de hundimiento (4) hacia arriba y deje que la rebajadora vuelva a la posición original.
- Después de prender la rebajadora, húngala y realice el corte deseado.

AJUSTE DEL TOPE DE PROFUNDIDAD CON TORRETA (FIG. I)

⚠ADVERTENCIA: Apague la rebajadora y desconéctela de la fuente de energía.

Después de girar el tope de profundidad con torreta a la configuración deseada, puede realizar el ajuste fino del tope de profundidad que utilizará. Si quiere hacer varios cortes con una profundidad de corte diferente, ajuste cada uno de los toques de profundidad.

- Con un destornillador, gire el tornillo del tope de profundidad (34) hacia arriba o hacia abajo, según la necesidad.

ENCENDIDO SUAVE

Su rebajadora ofrece la opción de un "encendido suave", el cual reduce el momento de torsión al encendido y permite un mayor control de la rebajadora.

DISCO ELECTRÓNICO DE CONTROL DE VELOCIDAD

La velocidad de su rebajadora es variable. Utilice el disco electrónico de control de velocidad (3) para producir cortes uniformes en madera, plástico y aluminio. Utilice la configuración más baja para cuchillas de gran diámetro y la configuración más alta para cuchillas de diámetro pequeño.

CONTROL ELECTRÓNICO DE VELOCIDAD (CSE)

Su rebajadora cuenta con control electrónico de velocidad (CSE, por sus siglas en inglés): cuando usted la carga, la velocidad de corte seleccionada no disminuye durante el uso normal. El control electrónico gobierna al motor y le brinda una buena terminación para su trabajo. La velocidad caerá por debajo de la velocidad gobernada únicamente bajo una carga sumamente pesada.

Para configurar la velocidad de la rebajadora, haga girar la perilla de control de velocidad (3). Cuanto más alto sea el número, mayor será la velocidad.

UTILICE UNA REGLA COMO GUÍA (FIG. J).

⚠ADVERTENCIA: Apague la rebajadora y desconéctela de la fuente de energía.

Cuando no sea viable el uso de una regla, por ejemplo, cuando la rebajadora forme estrías en la parte posterior de un armazón para estanterías, proceda como se describe a continuación:

- Coloque una regla sobre la pieza de trabajo.
- Mueva la regla hasta ubicarla en la posición correcta para guiar la herramienta.
- Sujete con firmeza la regla a la pieza de trabajo.

USO DE LA GUÍA PARA PLANTILLAS (FIG. D)

⚠ADVERTENCIA: Apague la rebajadora y desconéctela de la fuente de energía.

- Asegure la plantilla sobre la pieza de trabajo con cinta adhesiva de dos lados o abrazaderas.
- La broca de la rebajadora debe extenderse por debajo de la brida de la guía para plantillas, a fin de darle a la pieza de trabajo la forma de la plantilla.

USO DE LA CLAVIJA DE CENTRADO (FIG. E)

⚠ADVERTENCIA: Apague la rebajadora y desconéctela de la fuente de energía.

La clavija de centrado puede usarse para cortar patrones circulares.

- Perfore un orificio para el punto de la clavija de centrado en el centro del círculo que se desea cortar.
- Coloque la rebajadora sobre la pieza de trabajo con la punta de la clavija de centrado en el orificio que perforó.
- Ajuste el radio del círculo con las barras de la guía de corte.
- Ya puede mover la rebajadora sobre la pieza de trabajo para cortar el círculo.

ENCENDIDO Y APAGADO**Encendido**

- Presione el interruptor disparador de encendido/apagado (1).

Apagado

- Suelte el interruptor disparador de encendido/apagado.

Funcionamiento continuo

- Para bloquear el interruptor en la posición de encendido a los efectos del continuo funcionamiento de la herramienta, oprima el disparador (1) y, sin soltarlo, presione el botón de bloqueo (2). Sin soltar el botón, libere el disparador para que la herramienta continúe en funcionamiento. Para apagarla, oprima y libere el disparador.

⚠ADVERTENCIA: Riesgo de operación insegura. Para prevenir la pérdida de control, siempre opere la rebajadora con ambas manos.

USO DE LA REBAJADORA

- Asegúrese de que el material que debe cortar esté fijo y estable como para soportar a la rebajadora durante su funcionamiento.
- Para controlar la rebajadora, utilice ambas manos o los mangos.
- Cuando corte bordes externos, mueva la rebajadora en sentido opuesto al de las agujas del reloj. Cuando corte bordes internos, mueva la rebajadora en el sentido de las agujas del reloj. Vea la figura K.
- Siempre sostenga la rebajadora desde el frente y asegúrese de que el protector contra astillas esté entre el usuario y la broca.
- Luego de establecer la profundidad de corte como se describió, ubique la rebajadora de modo que la broca quede en el lugar en el que efectuará el corte. Con la rebajadora en funcionamiento, baje la unidad suavemente sobre la pieza de trabajo. (NO FUERCE LA REBAJADORA HACIA ABAJO). Cuando la herramienta alcance la profundidad preestablecida, ajuste la palanca de liberación. Cuando haya finalizado la tarea, afloje la palanca de liberación de la rebajadora y deje que el resorte la eleve para separarla de la pieza de trabajo.

NOTA: Siempre alimente la rebajadora en dirección opuesta al giro de la cuchilla.

VELOCIDAD DE ALIMENTACIÓN Y AVANCE DEL CORTE

- La variación entre los materiales y las configuraciones de la brocas determina una amplia variedad de tasas de alimentación. El mejor parámetro para determinar la tasa de alimentación es la experiencia. Familiarícese con el sonido de la rebajadora y cómo se siente en sus manos haciendo cortes de práctica en material de descarte. La broca de la rebajadora gira a una velocidad muy elevada, por eso, si se la mueve muy lentamente a través de la madera, se puede calentar. Esto ocasionaría marcas de quemaduras. Alimentar la rebajadora en forma muy rápida o tratar de eliminar mucho material en una sola pasada sobrecalentará el motor. Efectúe dos o más pasadas para los cortes muy grandes (de más de 3,17 mm [1/8"] de profundidad), en especial en las maderas duras.

USO DE LA REBAJADORA CON UN EXTRACTOR DE POLVO

- Cuando utilice un extractor de polvo, asegúrese de que la aspiradora se encuentre fuera del trayecto de corte y de que no golpeará o interferirá con la rebajadora o la pieza de trabajo.

La manguera y el cable de alimentación de la aspiradora también deberán ser ubicados de manera que no interfieran con la rebajadora o la pieza de trabajo. Si la aspiradora o la manguera no pueden ser ubicadas de manera correcta, no es aconsejable usar la aspiradora.

- Encienda la aspiradora antes que la rebajadora.
- Vacíe la aspiradora según sea necesario.

CONSEJOS PARA OPTIMIZAR EL USO

Cuando trabaje sobre bordes externos, mueva la herramienta en el sentido opuesto al de las agujas del reloj (fig. K). Cuando trabaje sobre bordes internos, mueva la herramienta en el sentido de las agujas del reloj.

- Para maderas blandas, utilice brocas de acero de alta velocidad.
- Para maderas duras, utilice brocas con puntas de carburo de tungsteno.
- Puede usar la herramienta sin una guía (fig. L). Esto resulta útil para el diseño gráfico y el trabajo creativo. Sólo haga cortes superficiales.
- Remítase a la tabla que sigue para interiorizarse sobre los tipos de brocas más comunes para rebajadoras.

BROCAS PARA REBAJADORA (FIG. M). (NO INCLUIDAS)

- **Nunca use brocas para rebajadoras con un diámetro que exceda el diámetro máximo de 1 5/8".**

Descripción

- Broca recta (1)
- Broca para recortar (2)
- Broca de rebajados (3)
- Broca de ranurado en V (4)

Aplicación

- Realiza estrías y cortes rebajados
- Realiza cortes en laminados y madera dura; logra un perfilado preciso si se usa una plantilla
- Realiza cortes rebajados en piezas curvas o rectilíneas
- Realiza ranuras, gravados y bordes sesgados

Broca hueca para núcleos (5)	Realiza acanaladuras, gravados y moldeados de bordes decorativos
Broca para calar (6)	Realiza moldeados de bordes decorativos
Broca para moldear de curva doble (7)	Realiza moldeados de bordes decorativos
Broca para redondear (8)	Permite obtener bordes redondeados
Brocas para Corte de Cola de Milano (9)	Uniones de cola de milano
Broca para biselar (10)	Realiza el biselado de bordes

DETECCIÓN DE PROBLEMAS

<u>Problema</u>	<u>Causa posible</u>	<u>Solución posible</u>
• La unidad no enciende.	<ul style="list-style-type: none"> • El cable no está enchufado. • El fusible de circuito está quemado. • El interruptor de circuito está cortado. • El interruptor del cable está dañado. 	<ul style="list-style-type: none"> • Enchufe el cable. • Reemplace el fusible de circuito. • Reinicie el interruptor de circuito. • Lleve el cable o interrupto para reparación al Centro de Servicio Técnico de Black & Decker o a un Servicio Técnico Autorizado.

Para obtener ayuda con su herramienta, visite nuestro sitio web en www.black&decker.com y obtenga una lista de los centros de servicio o comuníquese a la línea de ayuda gratuita de **BLACK & DECKER** al **(55)5326-7100**

MANTENIMIENTO

Su herramienta ha sido diseñada para funcionar durante un período largo con un mínimo de mantenimiento. El funcionamiento continuo satisfactorio depende del cuidado adecuado de la herramienta y de una limpieza periódica.

⚠ADVERTENCIA: Para evitar lesiones personales, siempre desconecte el enchufe de la fuente de energía antes de realizar el mantenimiento. El incumplimiento de dicha indicación puede ocasionar el arranque accidental de la herramienta y posibles lesiones.

- Limpie las ranuras de ventilación de su herramienta con frecuencia con un cepillo suave o un trapo seco.
- Limpie con frecuencia la carcasa del motor con un trapo húmedo. No utilice un solvente ni un limpiador abrasivo.

IMPORTANTE:

Para garantizar la **SEGURIDAD** y **CONFIABILIDAD** del producto, las reparaciones, el mantenimiento y los ajustes (los que no estén enumerados en este manual) deben ser realizados por los centros de servicio autorizados u otro personal de técnico calificado, y siempre deben utilizarse piezas de repuesto idénticas.

ACCESORIOS

Los accesorios que se recomiendan para su herramienta se encuentran disponibles a través de su distribuidor local o en el centro de servicio autorizado. Si necesita ayuda con respecto a los accesorios, llame al: **(55)5326-7100**.

⚠️ ADVERTENCIA: Para reducir el riesgo de lesiones, no utilice accesorios que aparecen por debajo de la velocidad máxima en la placa de clasificación de la herramienta. El uso de brocas de rebajadora de tamaño excesivo y de cualquier accesorio no recomendado para esta herramienta puede resultar peligroso.

INFORMACIÓN DEL SERVICIO TÉCNICO

Todos los Centros de Servicio de Black & Decker cuentan con personal altamente capacitado, dispuesto a brindar a todos los clientes un servicio eficiente y confiable en la reparación de herramientas eléctricas. Si necesita un consejo técnico, una reparación o piezas de repuesto originales de fábrica, póngase en contacto con el centro de servicio de Black & Decker más cercano a su domicilio. Para ubicar su centro de servicio local, consulte "Herramientas eléctricas" en la sección de páginas amarillas o llame al: **(55)5326-7100** o visite nuestro sitio **www.blackanddecker.com**

GARANTÍA COMPLETA DE DOS AÑOS PARA USO DOMÉSTICO

Black & Decker (EE.UU.) Inc. ofrece una garantía de dos años por cualquier defecto del material o de fabricación de este producto. El producto defectuoso se reparará o reemplazará sin costo alguno en una de dos formas.

La primera opción, el reemplazo, es devolver el producto al comercio donde se lo adquirió (siempre y cuando se trate de un comercio participante). Las devoluciones deben realizarse conforme a la política de devolución del comercio (generalmente, entre 30 y 90 días posteriores a la venta). Le pueden solicitar comprobante de compra. Consulte en el comercio acerca de la política especial sobre devoluciones una vez excedido el plazo establecido.

La segunda opción es llevar o enviar el producto (con flete pago) a un Centro de Servicio propio o autorizado de Black & Decker para su reparación o reemplazo según nuestro criterio. Le pueden solicitar comprobante de compra. Encontrará una lista de los Centros de servicio autorizados y de propiedad de Black & Decker bajo "Herramientas eléctricas" en las páginas amarillas de la guía telefónica y también en nuestro sitio Web **www.blackanddecker.com**.

Esta garantía no se extiende a los accesorios. Esta garantía le concede derechos legales específicos que pueden variar según el estado. Si tiene alguna pregunta, comuníquese con el gerente del Centro de servicio de Black & Decker de su zona. Este producto no está diseñado para uso comercial.

REEMPLAZO GRATUITO DE LA ETIQUETA DE PRECAUCIONES: Si sus etiquetas de advertencia se vuelven ilegibles o faltan, llame al **(55)5326-7100** para que se le reemplacen gratuitamente.

NOTA ESPECIAL SOBRE LA GARANTÍA A CONTRATISTAS:

Los productos de marca FIRESTORM™ son herramientas de uso doméstico de calidad e incluyen una garantía por uso doméstico. Estas herramientas han sido diseñadas, fabricadas y probadas para satisfacer y superar las necesidades de los aficionados a trabajos independientes, en la ejecución de proyectos y la realización de reparaciones en toda la casa. Si las utiliza correctamente, le proporcionarán potencia y rendimiento superiores mucho después de los dos años de garantía. Sin embargo, si usted utiliza las herramientas para trabajar y usa productos de marca FIRESTORM™ o cualquier otra herramienta Black & Decker diseñada para uso doméstico en sitios de trabajo, tenga en cuenta que no estarán cubiertas por nuestra garantía.

Para reparación y servicio de sus herramientas eléctricas, favor de dirigirse al Centro de Servicio más cercano:

CULIACAN, SIN

Av. Nicolás Bravo #1063 Sur
(667) 7 12 42 11
Col. Industrial Bravo

GUADALAJARA, JAL

Av. La Paz #1779
(33) 3825 6978
Col. Americana Sector Juarez

MEXICO, D.F.

Eje Central Lázaro Cardenas
No. 18
(55) 5588 9377
Local D, Col. Obrera

MERIDA, YUC

Calle 63 #459-A
(999) 928 5038
Col. Centro

MONTERREY, N.L.

Av. Francisco I. Madero
No.831
(81) 8375 2313
Col. Centro

PUEBLA, PUE

17 Norte #205
(222) 246 3714
Col. Centro

QUERETARO, QRO

Av. Madero 139 Pte.
(442) 214 1660
Col. Centro

SAN LUIS POTOSI, SLP

Av. Universidad 1525
(444) 814 2383
Col. San Luis

TORREON, COAH

Blvd. Independencia, 96 Pte.
(871) 716 5265
Col. Centro

VERACRUZ, VER

Prolongación Díaz Mirón #4280
(229)921 7016
Col. Remes

VILLAHERMOSA, TAB

Constitución 516-A
(993) 312 5111
Col. Centro

PARA OTRAS LOCALIDADES LLAME AL: (55) 5326 7100

ESPECIFICACIONES

FS1200RP

Tensión de alimentación: 120 V~ Potencia nominal: 1339 W
Frecuencia de operacion: 60 Hz Consumo de corriente: 12,0A

Vea "Herramientas
eléctricas (Tools-Electric)"
- Páginas amarillas -
para Servicio y ventas



BLACK & DECKER S.A. DE C.V.
BOSQUES DE CIDROS ACCESO RADIATAS NO. 42
COL. BOSQUES DE LAS LOMAS.
05120 MÉXICO, D.F.
TEL. 55-5326-7100

Free Manuals Download Website

<http://myh66.com>

<http://usermanuals.us>

<http://www.somanuals.com>

<http://www.4manuals.cc>

<http://www.manual-lib.com>

<http://www.404manual.com>

<http://www.luxmanual.com>

<http://aubethermostatmanual.com>

Golf course search by state

<http://golfingnear.com>

Email search by domain

<http://emailbydomain.com>

Auto manuals search

<http://auto.somanuals.com>

TV manuals search

<http://tv.somanuals.com>