



Snap-on Tool Corporation, Kinosh, WI  
Form# 388072 (APR02-CD1)

**Snap-on®**

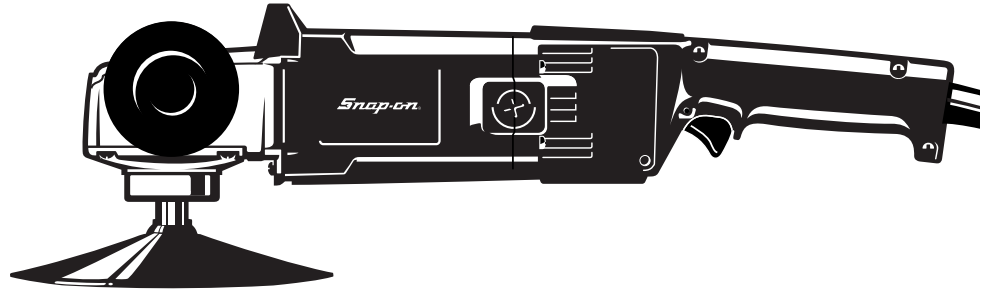
# ***USERS MANUAL***

---

**ET 1460**

**ET 1480**

**ET 1490**



***PROFESSIONAL***

---

**Polisher**

## General Safety Rules


**⚠ WARNING!** Read and understand all instructions. Failure to follow all instructions listed below may result in electric shock, fire and/or serious personal injury.

## SAVE THESE INSTRUCTIONS

### WORK AREA

- **Keep your work area clean and well lit.** Cluttered benches and dark areas invite accidents.
- **Do not operate power tools in explosive atmospheres, such as in the presence of flammable liquids, gases, or dust.** Power tools create sparks which may ignite the dust or fumes.
- **Keep bystanders, children, and visitors away while operating a power tool.** Distractions can cause you to lose control.

### ELECTRICAL SAFETY

- **Grounded tools must be plugged into an outlet properly installed and grounded in accordance with all codes and ordinances. Never remove the grounding prong or modify the plug in any way. Do not use any adaptor plugs. Check with a qualified electrician if you are in doubt as to whether the outlet is properly grounded.** If the tools should electrically malfunction or break down, grounding provides a low resistance path to carry electricity away from the user.
- **Double insulated tools are equipped with a polarized plug (one blade is wider than the other.) This plug will fit in a polarized outlet only one way. If the plug does not fit fully in the outlet, reverse the plug. If it still does not fit, contact a qualified electrician to install a polarized outlet. Do not change the plug in any way.** Double insulation  eliminates the need for the three wire grounded power cord and grounded power supply system.
- **Avoid body contact with grounded surfaces such as pipes, radiators, ranges and refrigerators.** There is an increased risk of electric shock if your body is grounded.
- **Don't expose power tools to rain or wet conditions.** Water

entering a power tool will increase the risk of electric shock.

- **Do not abuse the cord. Never use the cord to carry the tools or pull the plug from an outlet. Keep cord away from heat, oil, sharp edges or moving parts. Replace damaged cords immediately.** Damaged cords increase the risk of electric shock.
- **When operating a power tool outside, use an outdoor extension cord marked "W-A" or "W."** These cords are rated for outdoor use and reduce the risk of electric shock. When using an extension cord, be sure to use one heavy enough to carry the current your product will draw. An undersized cord will cause a drop in line voltage resulting in loss of power and overheating. The following table shows the correct size to use depending on cord length and nameplate ampere rating. If in doubt, use the next heavier gage. The smaller the gage number, the heavier the cord.

Minimum Gage for Cord Sets

| Volts         | Total Length of Cord in Feet |        |         |                 |         |
|---------------|------------------------------|--------|---------|-----------------|---------|
|               | 0-25                         | 26-50  | 51-100  | 101-150         | 151-300 |
| 120V          | 0-25                         | 26-50  | 51-100  | 101-150         | 151-300 |
| 240V          | 0-50                         | 51-100 | 101-200 | 201-300         |         |
| Ampere Rating |                              | AWG    |         |                 |         |
| More Than     | Not more Than                |        |         |                 |         |
| 0             | - 6                          | 18     | 16      | 16              | 14      |
| 6             | - 10                         | 18     | 16      | 14              | 12      |
| 10            | - 12                         | 16     | 16      | 14              | 12      |
| 12            | - 16                         | 14     | 12      | Not Recommended |         |

### PERSONAL SAFETY

- **Stay alert, watch what you are doing and use common sense when operating a power tool. Do not use tool while tired or under the influence of drugs, alcohol, or medication.** A moment of inattention while operating power tools may result in serious personal injury.
- **Dress properly. Do not wear loose clothing or jewelry. Contain long hair. Keep your hair, clothing, and gloves away from moving parts.** Loose clothing, jewelry, or long hair can be caught in moving parts.
- **Avoid accidental starting. Be sure switch is off before plugging in.** Carrying tools with your finger on the switch or

plugging in tools that have the switch on invites accidents.

- **Remove adjusting keys or switches before turning the tool on.** A wrench or key that is left attached to a rotating part of the tool may result in personal injury.
- **Do not overreach. Keep proper footing and balance at all times.** Proper footing and balance enables better control of the tool in unexpected situations.
- **Use safety equipment. Always wear eye protection.** Dust mask, non-skid safety shoes, hard hat, or hearing protection must be used for appropriate conditions.

#### TOOL USE AND CARE

- **Use clamps or other practical way to secure and support the workpiece to a stable platform.** Holding the work by hand or against your body is unstable and may lead to loss of control.
- **Do not force tool. Use the correct tool for your application.** The correct tool will do the job better and safer at the rate for which it is designed.
- **Do not use tool if switch does not turn it on or off.** Any tool that cannot be controlled with the switch is dangerous and must be repaired.
- **Disconnect the plug from the power source before making any adjustments, changing accessories, or storing the tool.** Such preventative safety measures reduce the risk of starting the tool accidentally.
- **Store idle tools out of reach of children and other untrained persons.** Tools are dangerous in the hands of untrained users.
- **Maintain tools with care. Keep cutting tools sharp and clean.** Properly maintained tools, with sharp cutting edges are less likely to bind and are easier to control.
- **Check for misalignment or binding of moving parts, breakage of parts, and any other condition that may affect the tools operation. If damaged, have the tool serviced before using.** Many accidents are caused by poorly maintained tools.
- **Use only accessories that are recommended by the**

**manufacturer for your model.** Accessories that may be suitable for one tool, may become hazardous when used on another tool.

#### SERVICE

- **Tool service must be performed only by qualified repair personnel.** Service or maintenance performed by unqualified personnel could result in a risk of injury.
- **When servicing a tool, use only identical replacement parts. Follow instructions in the Maintenance section of this manual.** Use of unauthorized parts or failure to follow Maintenance Instructions may create a risk of electric shock or injury.

#### Additional Safety Rules

- **Hold tool by insulated gripping surfaces when performing an operation where the cutting tools may contact hidden wiring or its own cord.** Contact with a "live" wire will make exposed metal parts of the tool "live" and shock the operator.
- **Keep handles dry, clean, free from oil and grease.** It is recommended to use rubber gloves. This will enable better control
- **DO NOT TOUCH ANY METAL PARTS OF THE TOOL when drilling or driving into walls, floors or wherever live electrical wires may be encountered.** Hold the tool only by insulated grasping surfaces to prevent electric shock if you drill or drive into a live wire.
- The label on your tool may include the following symbols.
 

|            |                     |             |                        |
|------------|---------------------|-------------|------------------------|
| V .....    | volts               | A .....     | amperes                |
| Hz .....   | hertz               | W .....     | watts                  |
| min .....  | minutes             | ~ .....     | alternating current    |
| ==== ..... | direct current      | n0 .....    | no load speed          |
| ☐ .....    | Class II            | .../min.... | revolutions per minute |
|            | Construction        | ⊕ .....     | earthing terminals     |
| ⚠ .....    | safety alert symbol |             |                        |

## Additional Safety Instructions for Sanders

- **ALWAYS WEAR EYE PROTECTION.**

- Clean your tool out periodically.

⚠ **CAUTION:** Wear appropriate personal hearing protection during use. Under some conditions and duration of use, noise from this product may contribute to hearing loss.

⚠ **WARNING:** Some dust created by power sanding, sawing, grinding, drilling, and other construction activities contains chemicals known to cause cancer, birth defects or other reproductive harm. Some examples of these chemicals are:

- lead from lead-based paints,
- crystalline silica from bricks and cement and other masonry products, and
- arsenic and chromium from chemically-treated lumber (CCA).

Your risk from these exposures varies, depending on how often you do this type of work. To reduce your exposure to these chemicals: work in a well ventilated area, and work with approved safety equipment, such as those dust masks that are specially designed to filter out microscopic particles.

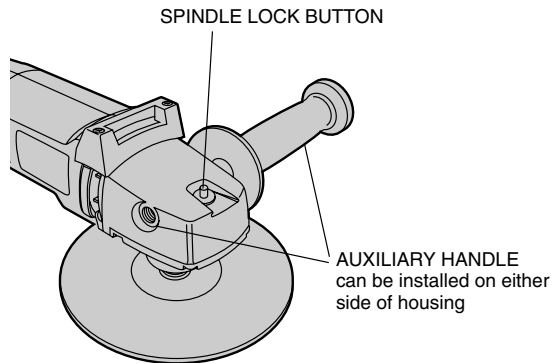
- **Avoid prolonged contact with dust from power sanding, sawing, grinding, drilling, and other construction activities. Wear protective clothing and wash exposed areas with soap and water.** Allowing dust to get into your mouth, eyes, or lay on the skin may promote absorption of harmful chemicals.

## SAVE THESE INSTRUCTIONS

### Auxiliary Handle

An auxiliary handle is furnished with your tool and can be installed on either side of the front housing. This handle should be used at all

FIG. 1



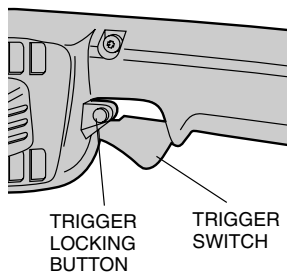
times to maintain complete control of the tool.

### Single Speed Switch (ET1460 ONLY)

These tools are equipped with a single speed on-off switch. To turn the tool on, squeeze the trigger switch shown in Figure 2. To turn the tool off, release the trigger switch.

The tool can be locked on for continuous use by squeezing the trigger switch fully and depressing the lock button shown in Figure 2. Hold the lock button in as you gently release the trigger switch. The tool will continue to run. To turn the tool off from a locked on position, squeeze and release the trigger switch once. Do not unplug the tool with the switch in the locked on condition. Make sure the tool is not locked on when plugging in. A locked on tool will start immediately when plugged in.

FIG. 2



### Variable Speed Switch (ET1480 and ET1490 ONLY)

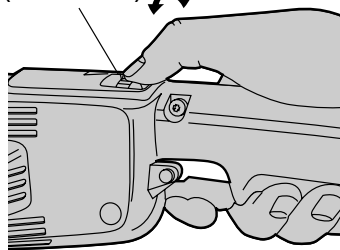
These tools are equipped with a variable speed switch that permits speed control from (zero to 1750 RPM - ET1480) (zero to 1000/3000 RPM - ET1490). To turn the tool on, squeeze the trigger switch shown in Figure 2 until the tool starts to run. The farther you depress the trigger, the faster it will operate. Releasing the trigger turns the tool off.

Use lower speeds for applying liquid waxes and polishes and higher speeds for removing dried liquid. Use the highest speed (fully depress trigger) for buffing the car to a final lustre.

The tool can be locked on for continuous use by squeezing the trigger switch fully and depressing the lock button shown in Figure 2. Hold the lock button in as you gently release the trigger switch. The tool will continue to run. To turn the tool off from a locked on position, squeeze and release the trigger switch once. Do not unplug the tool with the switch in the locked on condition. Make sure the tool is not locked on when plugging in. A locked on tool will start immediately

FIG. 3

SPEED CONTROL WHEEL  
(ET1490 ONLY)



when plugged in.

**NOTE:** The trigger can only be locked on with the tool running at the maximum RPM.

### Speed Control Wheel (ET1490 ONLY)

The maximum speed of your tool can be changed by rotating the speed control wheel to the desired setting. The wheel incorporates detents to prevent inadvertent wheel movement and to facilitate speed selection. For added versatility, the switch may be locked in its full on position and tool speed changed by means of the speed control wheel alone (see Figure 3).

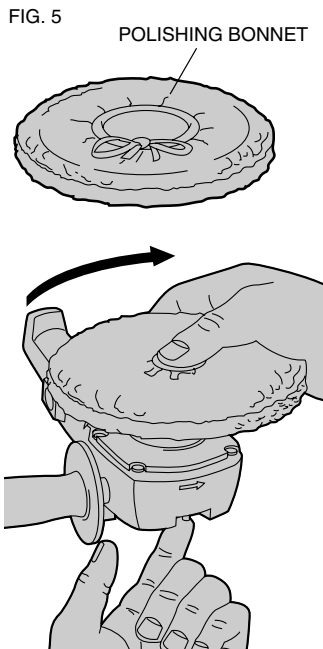
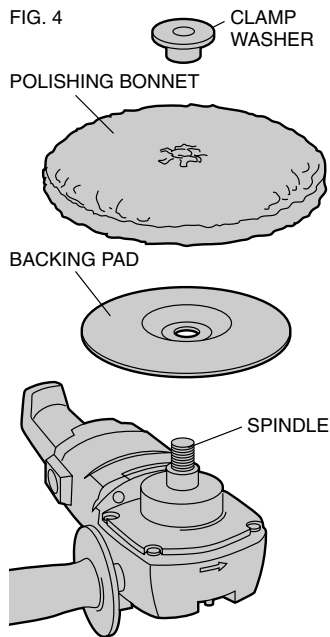
The electronic speed control not only lets you select the speed to suit the job, but also helps to maintain that speed as you load the tool by pressing down.

The speed control wheel can be set for any speed between 1000 and 3000 RPM and the variable speed switch will then control tool speed from zero to the wheel setting. For example: A control wheel setting of 2200 RPM will allow the variable speed switch to operate the tool between zero and 2200 RPM, depending on how far the trigger is depressed. A wheel setting of 1000 RPM would allow the switch to operate the tool from zero RPM to 1000 RPM.

The electronic speed control feature comes into play whenever the trigger switch is fully depressed and the tool is running at the selected speed determined by the setting of the control wheel. As you load the tool by pushing it down on the work surface, (with the trigger fully depressed) the electronic circuit inside the tool will compensate for the loading and maintain the selected speed. If the speed selected by the control wheel is 2200 RPM, as in the example above, the tool will maintain 2200 RPM, as it is loaded.

It is important to remember two things about electronic speed control:

1. The electronic speed control operates only when the trigger switch is fully depressed.
2. The effect of electronic speed control is much easier to observe at



lower speed settings (2600 RPM and below), than at high speeds. As the tool approaches 3000 RPM, the effect is considerably less dramatic.

Keep in mind that, with a conventional polisher running at a typical no load speed of 2400 RPM, the tool slows down to about 2000 RPM under a polishing load. Your ET1490 will continue to run at 2400 RPM (or any speed you select with the control wheel) as a load is applied. Since it doesn't slow down, the speed may be greater than you're used to so some extra caution should be observed until you get the "feel" of your polisher. If you feel the speed is too great, you can, of course slow the tool down with either the trigger switch or the control wheel.

### **Spindle Lock Button**

TURN OFF TOOL AND DISCONNECT FROM POWER SUPPLY.

(See Figure 1) In order to prevent the spindle of the tool from rotating while installing or removing accessories, a spindle lock button has been provided in the gear head of the machine. To lock the spindle, depress and hold the lock button. NEVER DEPRESS THE SPINDLE LOCK BUTTON WITH THE TOOL RUNNING OR COASTING.

### **Attaching and Removing Polishing Pads**

(FIGURES 4 & 5)

TURN OFF TOOL AND DISCONNECT FROM POWER SUPPLY.

To attach pad, push the hub of the clamp washer through the hole in the center of the polishing pad as far as it will go. Engage the hexagonal hole in the backing pad. Holding the three pieces firmly together, place the assembly on the tool spindle. Hold the spindle lock button while turning the pads clockwise to thread them completely on the spindle.

To remove the pads, turn them by hand in the opposite direction from normal rotation to allow lock button to engage spindle, then unscrew pads in normal direction for right hand thread.



FIG. 6

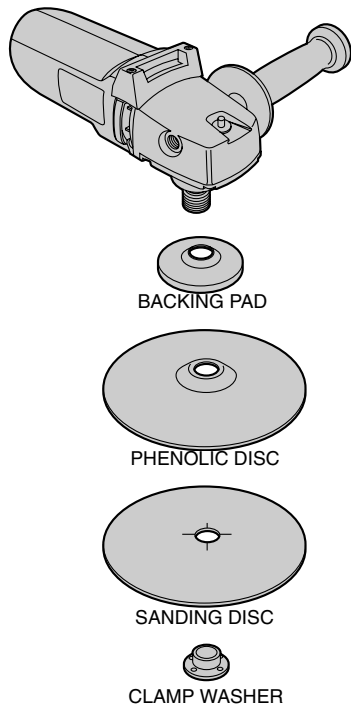


FIG. 7

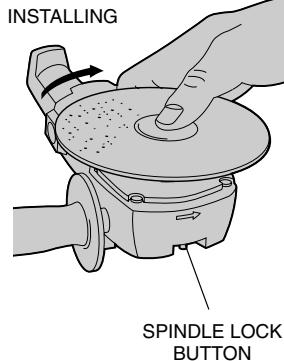


FIG. 8

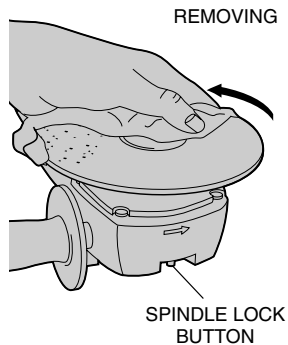
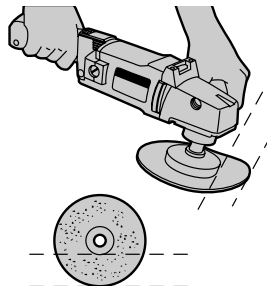


FIG. 9



**NOTE:** If you are using a polishing bonnet, rather than a pad, put clamp washer on first, pull bonnet completely over backing pad and pull draw strings tight Tie bow knot and push knot and all loose string completely under the inside, cloth edge of the polishing bonnet.

**⚠ WARNING:** TIED KNOT AND ALL STRINGS MUST BE TUCKED ENTIRELY UNDER THE CLOTH APRON. FAILURE TO DO SO MAY CAUSE SERIOUS INJURY.

## Polishing

These instructions and suggestions are intended to familiarize new operators in overall general operation of power polishing. You will develop your own techniques which will make the job easier and faster as you learn power polishing.

You should use utmost care when power polishing around or over sharp objects and contours of the car body. It is very important to use the correct pressure while polishing various sections of an automobile body. For example, light pressure should be applied when polishing over sharp edges of body panels, or over edges of the rain gutter along the top.

Since everyone does not use the same type of power polish, we

recommend you clean and polish a test section on a flat area of the car first. From this test section, you can judge the strength or cleaning action of your power polish.

Remember, all power polish is not the same. Different brands will react differently on various painted surfaces. Also, you are now using a power polisher with power polish. This is entirely different from any hand application which you may have done before. Wash the car before power polishing it. Washing will remove loose dirt, scum, road salt, etc. which could act as an abrasive and damage paint. Loose dirt, etc. will also clog the polishing pad and you will have to clean it more often.

Without turning the tool on, grasp the handles of the tool and pick it up. Keep the tool away from your body and turn the switch on. Make sure you have a firm grip on the handles and operate the tool freely without forced effort or unnecessary pressure. The side handle can be easily changed to either side of the tool for left-handed or right-handed operation.

**NOTE:** The high speed rubbing action of the polishing bonnet upon the surface of an automobile can build a static charge on the metal portions of this tool. This can result in a sensation of a very short mild electric shock when the metal area of the tool is touched, and will be more noticeable on days when the humidity is low. This is a harmless phenomenon but you are invited to bring the tool to a Snap-on service center where it can be checked to assure that no electrical malfunction is present.

## **Sanding Application (ET1490 ONLY)**

### **ATTACHING AND REMOVING ABRASIVE DISCS**

**(FIGURES 6, 7, AND 8)**

TURN OFF TOOL AND DISCONNECT FROM POWER SUPPLY.

To attach the sanding disc, push the hub of the clamp washer through the center of the sanding and phenolic discs, as far as it will go, and also through the backing pad. Engage the clamp washer threads on the tool spindle and thread assembly clockwise, completely down on the spindle. Hold the spindle from rotating by engaging the spindle

lock button.

To remove the abrasive disc, use a cloth or glove to protect your hand. Turn the disc assembly counterclockwise (Figure 8). Hold the spindle from rotating by engaging the spindle lock button.

## **Sanding (ET1490 ONLY)**

(See Figure 9) When using an abrasive disc, hold the tool so that an angle of 10° to 15° exists between the disc and the work. If only the outer edge of the sanding disc is used, a rough cut will result. If the sanding disc is pressed flat against the work, the sanding action will be irregular and bumpy, and the tool will be difficult to control.

## **Cleaning**

Blowing dust, polishing bonnet lint, and grit out of the motor housing using compressed air is a necessary regular maintenance procedure. Dust and grit containing metal particles often accumulate on interior surfaces could create an electrical shock hazard if not frequently cleaned out.

**⚠ CAUTION:** Never use solvents or other harsh chemicals for cleaning the non-metallic parts of the tool. Use clean, dry rag only.

## **Lubrication**

Snap-on tools are properly lubricated at the factory and are ready for use. Tools should be relubricated regularly every sixty days to six months, depending on usage. (Tools used constantly on production or heavy-duty jobs and tools exposed to heat may require more frequent lubrication.) This lubrication should only be attempted by trained power tool repairpersons such as those at Snap-on service centers or other authorized service locations.

## **Motor Brushes**

Be sure tool is unplugged before inspecting brushes. Carbon brushes

should be regularly inspected for wear. To inspect brushes, unscrew the plastic brush inspection caps (located in the sides of the motor housing) and the spring and brush assemblies may be withdrawn from the tool. Keep brushes clean and sliding freely in their guides. Carbon brushes have varying symbols stamped into them, and if the brush is worn down to the line closest to the spring, they must be replaced. New brush assemblies are available at service centers; see "Tool, Electric" in the yellow pages.

If you need assistance in locating any accessory, please contact Snap-on Tools Corporation, Kenosha, WI 53141-1410.

**⚠ CAUTION:** The use of any non-recommended accessory may be hazardous.

### ***Important***

To assure product SAFETY and RELIABILITY, repairs, maintenance and adjustment (including brush inspection and replacement) should be performed by authorized service centers or other qualified service organizations, always using identical replacement parts.

### ***Full Warranty***

Snap-on heavy duty industrial tools are warranted for one year from date of purchase. We will repair, without charge, any defects due to faulty materials or workmanship. This warranty does not apply to accessories or damage caused where repairs have been made or attempted by others. This warranty gives you specific legal rights and you may have other rights which vary in certain states or provinces.

In addition to the warranty, Snap-on tools are covered by our:

#### ***30 DAY NO RISK SATISFACTION GUARANTEE***

If you are not completely satisfied with the performance of your Snap-on heavy duty industrial tool, simply return it to the participating seller within 30 days for a full refund. Please return the complete unit, transportation prepaid. Proof of purchase may be required.

COMMANDE DU RÉGULATEUR DE  
VITESSE, MODÈLE  
ET1490 SEULEMENT

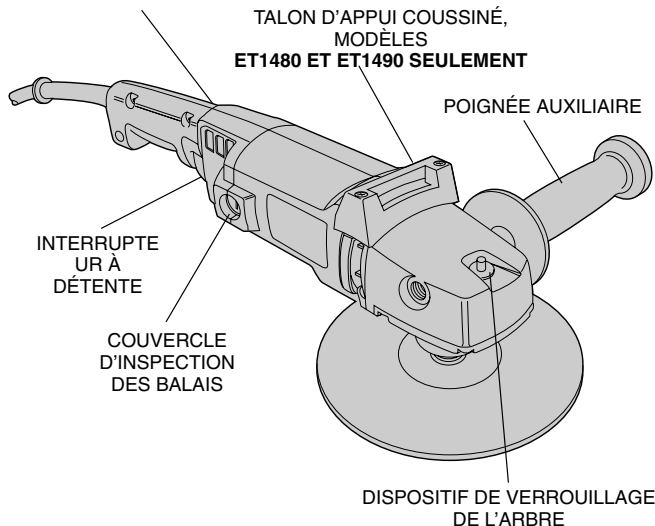
TALON D'APPUI COUSSINÉ,  
MODÈLES  
ET1480 ET ET1490 SEULEMENT

POIGNÉE AUXILIAIRE

INTERRUPTEUR À  
DÉTENTE

COUVERCLE  
D'INSPECTION  
DES BALAIS

DISPOSITIF DE VERROUILLAGE  
DE L'ARBRE



## RÈGLES DE SÉCURITÉ GÉNÉRALES

**⚠ AVERTISSEMENT!** Vous devez lire et comprendre toutes les **instructions**. Le non-respect, même partiel, des instructions ci-après entraîne un risque de choc électrique, d'incendie et/ou de blessures graves.

## CONSERVEZ CES INSTRUCTIONS.

### AIRE DE TRAVAIL

- **Veillez à ce que l'aire de travail soit propre et bien éclairée.** Le désordre et le manque de lumière favorisent les accidents.
- **N'utilisez pas d'outils électriques dans une atmosphère explosive, par exemple en présence de liquides, de gaz ou de poussières inflammables.** Les outils électriques créent des étincelles qui pourraient enflammer les poussières ou les vapeurs.
- **Tenez à distance les curieux, les enfants et les visiteurs pendant que vous travaillez avec un outil électrique.** Ils pourraient vous distraire et vous faire faire une fausse manœuvre.

### SÉCURITÉ ÉLECTRIQUE

- **Les outils à double isolation sont équipés d'une fiche polarisée (une des lames est plus large que l'autre), qui ne peut se brancher que d'une seule façon dans une prise polarisée. Ne modifiez pas la fiche de l'outil.** La double isolation ☐ élimine le besoin d'un cordon d'alimentation à trois fils avec mise à la terre ainsi que d'une prise de courant mise à la terre.
- **Évitez tout contact corporel avec des surfaces mises à la terre (tuyauterie, radiateurs, cuisinières, réfrigérateurs, etc.).** Le risque de choc électrique est plus grand si votre corps est en contact avec la terre.
- **N'exposez pas les outils électriques à la pluie ou à l'eau.** La présence d'eau dans un outil électrique augmente le risque de choc électrique.
- **Ne maltraitez pas le cordon. Ne transportez pas l'outil par son cordon et ne débranchez pas la fiche en tirant sur le cordon. N'exposez pas le cordon à la chaleur, à des huiles, à des arêtes vives ou à des pièces en mouvement. Remplacez immédiatement un cordon endommagé.** Un cordon

endommagé augmente le risque de choc électrique.

- **Lorsque vous utilisez un outil électrique à l'extérieur, employez un prolongateur pour l'extérieur marqué «W-A» ou «W».** Ces cordons sont faits pour être utilisés à l'extérieur et réduisent le risque de choc électrique. S'assurer que le cordon de rallonge est en bon état. Lorsqu'on se sert d'un cordon de rallonge, s'assurer qu'il est de calibre approprié pour la tension nécessaire au fonctionnement de l'outil. L'utilisation d'un cordon de calibre inférieur occasionne une baisse de tension entraînant une perte de puissance et la surchauffe. Le tableau suivant indique le calibre approprié selon la longueur du cordon et les mentions de la plaque signalétique de l'outil. En cas de doute, utiliser un cordon de calibre supérieur. Le chiffre indiquant le calibre est inversement proportionnel au calibre du cordon.

Calibre minimal des cordons de rallonge

| Tension       | Longueur totale du cordon en pieds |                            |         |         |                |    |
|---------------|------------------------------------|----------------------------|---------|---------|----------------|----|
| 120 V         | 0-25                               | 26-50                      | 51-100  | 101-150 |                |    |
| 240 V         | 0-50                               | 51-100                     | 101-200 | 201-300 |                |    |
| Intensité (A) |                                    | Calibre moyen de fil (AWG) |         |         |                |    |
| Au moins      | Au plus                            |                            |         |         |                |    |
| 0             | -                                  | 6                          | 18      | 16      | 16             | 14 |
| 6             | -                                  | 10                         | 18      | 16      | 14             | 12 |
| 10            | -                                  | 12                         | 16      | 16      | 14             | 12 |
| 12            | -                                  | 16                         | 14      | 12      | Non recommandé |    |

## SÉCURITÉ DES PERSONNES

- **Restez alerte, concentrez-vous sur votre travail et faites preuve de jugement. N'utilisez pas un outil électrique si vous êtes fatigué ou sous l'influence de drogues, d'alcool ou de médicaments.** Un instant d'inattention suffit pour entraîner des blessures graves.
- **Habillez-vous convenablement. Ne portez ni vêtements flottants ni bijoux. Confinez les cheveux longs. N'approchez jamais les cheveux, les vêtements ou les gants des pièces en mouvement.** Des vêtements flottants, des bijoux ou des cheveux longs risquent d'être happés par des pièces en mouvement.
- **Méfiez-vous d'un démarrage accidentel. Avant de brancher**

**l'outil, assurez-vous que son interrupteur est sur ARRÊT.** Le fait de transporter un outil avec le doigt sur la détente ou de brancher un outil dont l'interrupteur est en position MARCHE peut mener tout droit à un accident.

- **Enlevez les clés de réglage ou de serrage avant de démarrer l'outil.** Une clé laissée dans une pièce tournante de l'outil peut provoquer des blessures.
- **Ne vous penchez pas trop en avant. Maintenez un bon appui et restez en équilibre en tout temps.** Une bonne stabilité vous permet de mieux réagir à une situation inattendue.
- **Utilisez des accessoires de sécurité. Portez toujours des lunettes ou une visière.** Selon les conditions, portez aussi un masque antipoussière, des bottes de sécurité antidérapantes, un casque protecteur et/ou un appareil antibruit.

## UTILISATION ET ENTRETIEN DES OUTILS

- **Immobilisez le matériel sur une surface stable au moyen de brides ou de toute autre façon adéquate.** Le fait de tenir la pièce avec la main ou contre votre corps offre une stabilité insuffisante et peut amener un dérapage de l'outil.
- **Ne forcez pas l'outil. Utilisez l'outil approprié à la tâche.** L'outil correct fonctionne mieux et de façon plus sécuritaire. Respectez aussi la vitesse de travail qui lui est propre.
- **N'utilisez pas un outil si son interrupteur est bloqué.** Un outil que vous ne pouvez pas commander par son interrupteur est dangereux et doit être réparé.
- **Débranchez la fiche de l'outil avant d'effectuer un réglage, de changer d'accessoire ou de ranger l'outil.** De telles mesures préventives de sécurité réduisent le risque de démarrage accidentel de l'outil.
- **Rangez les outils hors de la portée des enfants et d'autres personnes inexpérimentées.** Les outils sont dangereux dans les mains d'utilisateurs novices.
- **Prenez soin de bien entretenir les outils. Les outils de coupe doivent être toujours bien affûtés et propres.** Des outils bien entretenus, dont les arêtes sont bien tranchantes, sont moins susceptibles de coincer et plus faciles à diriger.

- **Soyez attentif à tout désalignement ou coincement des pièces en mouvement, à tout bris ou à toute autre condition préjudiciable au bon fonctionnement de l'outil. Si vous constatez qu'un outil est endommagé, faites-le réparer avant de vous en servir. De nombreux accidents sont causés par des outils en mauvais état.**
- **N'utilisez que des accessoires que le fabricant recommande pour votre modèle d'outil. Certains accessoires peuvent convenir à un outil, mais être dangereux avec autre.**

⊕ .....borne de mise à la terre

⚠ .....symbole d'avertissement

## RÉPARATION

- **La réparation des outils électriques doit être confiée à un réparateur qualifié.** L'entretien ou la réparation d'un outil électrique par un amateur peut avoir des conséquences graves.
- **Pour la réparation d'un outil, n'employez que des pièces de rechange d'origine. Suivez les directives données à la section «Réparation» de ce manuel.** L'emploi de pièces non autorisées ou le non-respect des instructions d'entretien peut créer un risque de choc électrique ou de blessures.
- **Tenez l'outil par ses surfaces de prise isolées pendant toute opération où l'outil de coupe pourrait venir en contact avec un câblage dissimulé ou avec son propre cordon.** En cas de contact avec un conducteur sous tension, les pièces métalliques à découvert de l'outil transmettraient un choc électrique à l'utilisateur.
- L'étiquette de l'outil peut comporter les symboles suivants.

V.....volts

A.....ampères

Hz.....hertz

W .....watts

.../min .....minutes

~ .....courant alternatif

==== .....courant continu

n<sub>0</sub> .....sous vide

☐ .....construction de classe II

.../min .....tours ou courses à la minute

## Mesures de sécurité additionnelles relatives aux ponceuses

- **TOUJOURS PORTER DES LUNETTES DE SÉCURITÉ.**

- Nettoyer l'outil régulièrement.

⚠ **MISE EN GARDE** : porter un dispositif de protection personnel anti-bruit approprié durant l'utilisation. Sous certaines conditions et pendant toute la durée de l'utilisation, le bruit émanant de ce produit pourrait contribuer à la perte d'audition.

⚠ **AVERTISSEMENT** : Certains outils, tels que les sableuses électriques, les scies, les meules, les perceuses ou certains autres outils de construction, peuvent soulever de la poussière contenant des produits chimiques susceptibles d'entraîner le cancer, des malformations congénitales ou pouvant être nocifs pour le système reproductif. Parmi ces produits chimiques, on retrouve :

- le plomb dans les peintures à base de plomb;
- la silice cristalline dans les briques et le ciment et autres produits de maçonnerie;
- l'arsenic et le chrome dans le bois de sciage ayant subi un traitement chimique (CCA).

Le risque associé à de telles expositions peut varier selon la fréquence avec laquelle on effectue ces travaux. Pour réduire l'exposition à de tels produits, il faut travailler dans un endroit bien ventilé et utiliser l'équipement de sécurité approprié tel un masque anti-poussières spécialement conçu pour filtrer les particules microscopiques.

- **Éviter tout contact prolongé avec la poussière soulevée par cet outil ou autres outils électriques. Porter des vêtements de protection et nettoyer les parties exposées du corps avec de l'eau savonneuse.** S'assurer de bien se protéger afin d'éviter

d'absorber par la bouche, les yeux ou la peau des produits chimiques nocifs.

## CONSERVER CES MESURES.

### Poignée auxiliaire

L'outil comporte une poignée auxiliaire qui s'installe d'un côté ou de l'autre du boîtier avant de l'outil. Il faut s'en servir en tout temps afin de bien maîtriser l'outil.

### Interrupteur à une seule vitesse (Modèle ET1460 seulement)

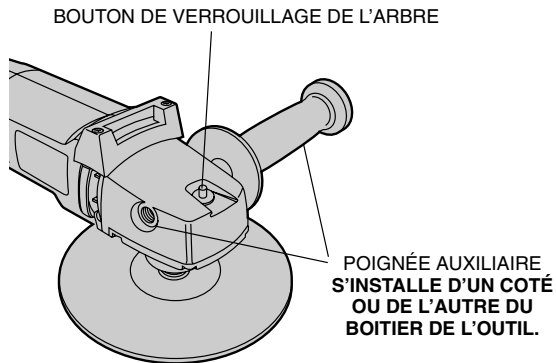
L'outil comporte un interrupteur à une seule vitesse. Pour actionner l'outil, il suffit d'enfoncer l'interrupteur à détente illustré à la figure 2. Pour l'arrêter, relâcher l'interrupteur à détente.

On peut verrouiller l'outil en mode de fonctionnement continu en enfonçant complètement l'interrupteur à détente et en enfonçant le bouton de verrouillage illustré à la figure 2. Maintenir le bouton de verrouillage enfoncé en relâchant doucement l'interrupteur à détente. L'outil continue alors de fonctionner. Pour arrêter un outil en mode de fonctionnement continu, enfoncer et relâcher immédiatement l'interrupteur à détente. Ne pas débrancher l'outil lorsque l'interrupteur est verrouillé en mode de fonctionnement continu. S'assurer que l'outil n'est pas verrouillé en mode de fonctionnement continu lorsqu'on le branche car celui-ci démarrera immédiatement.

### Interrupteur à régulateur de vitesse (Modèles ET1480 et ET1490 seulement)

L'outil comporte un régulateur de vitesse de 0 à 1750 trs/min (modèle ET1480) et de 0 à 1000/3000 trs/min (modèle ET1490). Pour actionner l'outil, il suffit d'enfoncer l'interrupteur à détente illustré à la figure 2. Plus on enfonce l'interrupteur, plus le régime de l'outil augmente. Pour l'arrêter, relâcher l'interrupteur à détente.

FIG. 1



Utiliser les basses vitesses pour appliquer de la cire liquide; les vitesses élevées, pour enlever le liquide séché. La vitesse maximale (interrupteur complètement enfoncé) sert à procurer le lustre final au véhicule.

On peut verrouiller l'outil en mode de fonctionnement continu en enfonçant complètement l'interrupteur à détente et en enfonçant le bouton de verrouillage illustré à la figure 2. Maintenir le bouton de verrouillage enfoncé en relâchant doucement l'interrupteur à détente. L'outil continue alors de fonctionner. Pour arrêter un outil en mode de fonctionnement continu, enfoncer et relâcher immédiatement l'interrupteur à détente. Ne pas débrancher l'outil lorsque l'interrupteur est verrouillé en mode de fonctionnement continu. S'assurer que l'outil n'est pas verrouillé en mode de fonctionnement continu lorsqu'on le branche car celui-ci démarrera immédiatement.

**NOTE :** On peut verrouiller l'outil seulement lorsqu'il fonctionne à plein régime.

## Commande du régulateur de vitesse (Modèle ET1490 seulement)

On peut modifier la vitesse maximale de l'outil en faisant tourner la commande du régulateur de vitesse au réglage voulu. La commande comporte des cliquets en empêchant le mouvement imprévu et facilitant le choix de la vitesse. En outre, on peut verrouiller la commande au régime maximal et on peut alors modifier la vitesse de l'outil seulement à l'aide de la commande (fig. 3).

Le régulateur électronique permet non seulement de choisir la vitesse appropriée à la tâche mais également de maintenir la vitesse choisie lorsqu'on exerce de la pression sur l'outil. La commande et le régulateur rehaussent la valeur de l'outil.

On peut régler la commande à toute vitesse entre 1000 et 3000 trs/min, puis on se sert du régulateur pour obtenir la vitesse voulue entre 0 trs/min et la vitesse prédéterminée. Ainsi, lorsque la commande est réglée à 2200 trs/min, le régulateur fonctionne entre 0 et 2200 trs/min, selon la force exercée sur la détente de l'interrupteur. Lorsque la commande est réglée à 1000 trs/min, l'outil fonctionne entre 0 et 1000 trs/min.

La fonction électronique entre en action lorsque la détente est complètement enfoncée et que l'outil fonctionne au régime maximal, selon le réglage de la commande. Lorsqu'on exerce une pression sur l'outil (et que la détente est complètement enfoncée), le circuit électronique de l'outil compense pour la charge et maintient la vitesse choisie. Ainsi, lorsque la commande est réglée à 2200 trs/min, comme dans l'exemple précédent, l'outil fonctionne toujours à 2200 trs/min même lorsqu'on y exerce une pression.

Voici deux points importants à se rappeler relatifs à la commande électronique.

1. La commande électronique fonctionne seulement lorsque l'interrupteur à détente est complètement enfoncé.
2. L'effet de la commande électronique se voit mieux lorsque l'outil

FIG. 2

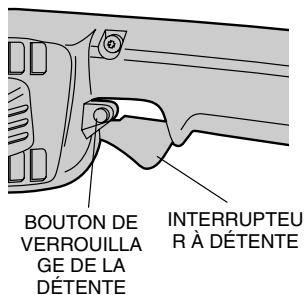
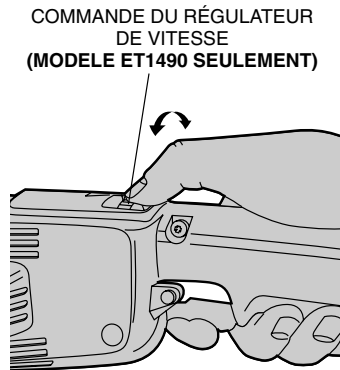


FIG. 3



est réglé à basses vitesses (moins de 2600 trs/min). Lorsque l'outil fonctionne à près de 3000 trs/min, son effet se remarque moins.

Il faut se rappeler qu'une polisseuse traditionnelle fonctionnant à 2400 trs/min sous vide fonctionne à environ 2000 trs/min sous charge. Le modèle ET1490 continue de fonctionner à 2400 trs/min (ou à toute vitesse choisie) lorsqu'on y exerce une pression. Puisque la vitesse de l'outil ne diminue pas, il faut s'habituer au fonctionnement de l'outil et prendre soin lors de son utilisation. On peut évidemment diminuer le régime de l'outil à l'aide de la détente ou de la commande.

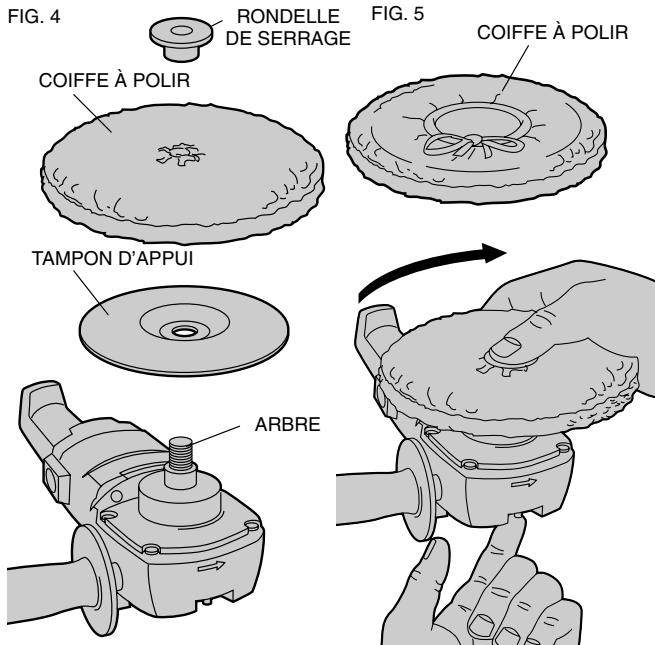
## Bouton de verrouillage de l'arbre

METTRE L'OUTIL HORS TENSION ET LE DÉBRANCHER.

(Voir la figure 1.) Afin d'empêcher le mouvement de l'arbre de l'outil lors de l'installation ou du retrait d'accessoires, l'outil comporte un



**⚠ AVERTISSEMENT : LE NŒUD ET LES BOUTS DE FICELLE DOIVENT COMPLÈTEMENT DISPARAÎTRE SOUS LA COIFFE AU RISQUE D'OCCASIONNER DE GRAVES BLESSURES.**



bouton de verrouillage qui se trouve près des engrenages de l'outil. Pour verrouiller l'arbre, il faut enfoncer le bouton et le maintenir enfoncé. **NE JAMAIS ENFONCER LE BOUTON DE VERROUILLAGE DE L'ARBRE LORSQUE L'OUTIL FONCTIONNE.**

## **Installation et retrait des tampons de polissage (Figures 4 et 5)**

METTRE L'OUTIL HORS TENSION ET LE DÉBRANCHER.

Pour installer le tampon, pousser le moyeu de la rondelle de serrage dans le trou au fond au centre du tampon. Engager le trou hexagonal dans le tampon d'appui. Tout en retenant fermement les trois pièces ensemble, les placer sur l'arbre de l'outil. Enfoncer le bouton de verrouillage de l'arbre en faisant tourner les tampons dans le sens horaire afin de les fileter complètement sur l'arbre.

Pour retirer les tampons, les faire tourner à la main dans le sens opposé afin d'engager le bouton de verrouillage, puis les dévisser (filet à droite).

**NOTE :** Lorsqu'on utilise une coiffe à polir au lieu d'un tampon de polissage, il faut d'abord placer la rondelle de serrage, recouvrir le tampon d'appui de la coiffe à polir et bien serrer les ficelles de la coiffe. Faire un nœud, puis le glisser avec les bouts de ficelle complètement sous la coiffe.

**⚠ AVERTISSEMENT : LE NŒUD ET LES BOUTS DE FICELLE DOIVENT COMPLÈTEMENT DISPARAÎTRE SOUS LA COIFFE AU RISQUE D'OCCASIONNER DE GRAVES BLESSURES.**

## **Polissage**

Les directives et suggestions suivantes ont pour but de faciliter le fonctionnement général de l'outil. Chacun développera ses propres techniques afin de se faciliter la tâche et de l'accélérer en connaissant mieux l'outil.

Prendre soin lorsqu'on polit des objets pointus ou des angles aigus

de la carrosserie. Il est essentiel d'exercer la pression appropriée sur les différentes sections de la carrosserie d'un véhicule. Ainsi, il faut exercer une légère pression sur l'outil lorsqu'on polit les arêtes tranchantes de la carrosserie ou les rebords des gouttières du capot. Puisqu'il existe différents types de produits de polissage, il est conseillé de nettoyer et de polir un coin plat du véhicule au préalable. On peut alors déterminer de la force à utiliser sur l'outil afin d'obtenir le lustre voulu.

Se rappeler que les différents produits ne procurent pas tous les mêmes résultats. Différentes marques réagissent différemment sur différents types de surfaces peintes. En outre, on utilise une polisseuse électrique qui donne des résultats complètement différents si on les compare au polissage manuel. Il faut laver le véhicule avant de le polir. On enlève de la sorte toute trace de poussière, de sel et de crasse qui peut agir comme abrasif et qui peut abîmer la peinture. De plus, ces saletés peuvent bloquer le tampon et il faudra le nettoyer plus souvent.

Sans actionner l'outil, en saisir les poignées et le soulever. Mettre l'outil en marche alors qu'il ne touche pas à la carrosserie. Bien saisir les poignées et utiliser l'outil sans effort ni pression indue. On peut aisément placer la poignée latérale d'un côté ou de l'autre de l'outil (pour les droitiers ou les gauchers).

**NOTE :** Le frottement à haute vitesse de la coiffe à polir contre la surface du véhicule peut occasionner une accumulation de statique sur les sections métalliques de l'outil. On peut alors ressentir une légère secousse électrique lorsqu'on touche aux composants métalliques de l'outil. Cette secousse sera un peu plus forte lorsque la teneur en humidité de l'air est basse. Ce phénomène n'est pas dangereux mais il est conseillé de confier l'outil au personnel d'un centre de service Snap-on afin de vérifier s'il ne s'agit pas d'une défaillance électrique.

FIG. 6

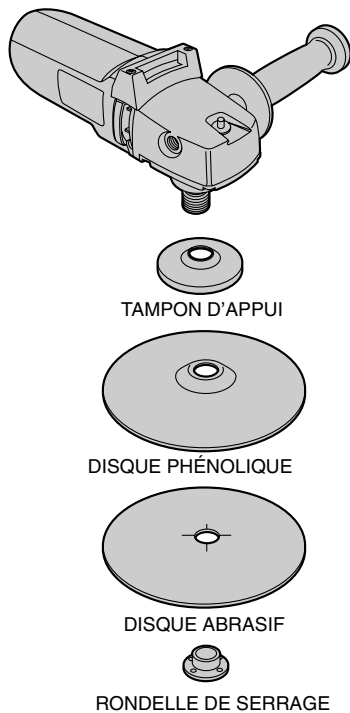


FIG. 7

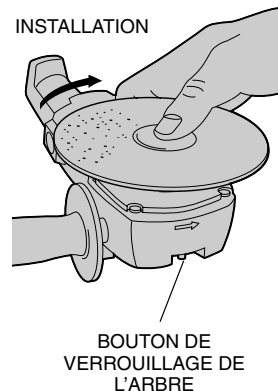
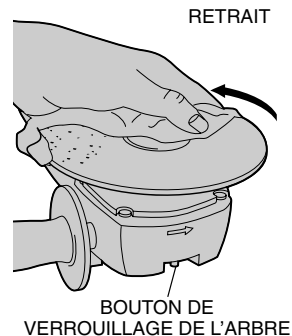


FIG. 8



## **Ponçage (Modèle ET1490 seulement)**

### **INSTALLATION ET RETRAIT DES DISQUES ABRASIFS (FIGURES 6,7 ET 8)**

METTRE L'OUTIL HORS TENSION ET LE DÉBRANCHER.

Pour installer le disque abrasif, pousser le moyeu de la rondelle de serrage à fond dans le centre des disques abrasif et phénolique ainsi que du tampon d'appui. Engager les filets de la rondelle de serrage sur l'arbre de l'outil et visser dans le sens horaire complètement au fond de l'arbre. Empêcher l'arbre de tourner à l'aide du bouton de verrouillage.

Pour retirer le disque abrasif, utiliser un chiffon ou un gant pour se protéger la main. Faire le disque dans le sens antihoraire (fig. 8). Empêcher l'arbre de tourner à l'aide du bouton de verrouillage.

## **Ponçage (Modèle ET1490 seulement)**

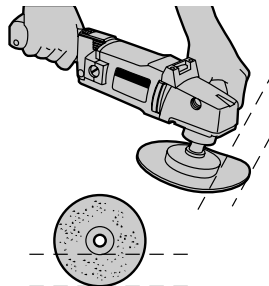
(Voir la figure 9.) Lorsqu'on utilise un disque abrasif, saisir l'outil de sorte qu'il y ait un angle de 10 à 15° entre le disque et le matériau à poncer. Lorsqu'on utilise seulement le rebord extérieur du disque abrasif, cela procure une coupe grossière. Lorsque le disque repose à plat contre le matériau, le ponçage est irrégulier et l'outil est difficile à maîtriser.

## **Nettoyage**

Il faut nettoyer régulièrement le carter du moteur à l'aide d'air comprimé afin de souffler la poussière, la charpie provenant de la coiffe et les saletés hors du carter. De la poussière et des saletés renfermant des particules métalliques s'accumulent souvent à l'intérieur de l'outil et cela présente un risque de secousses électriques si l'outil n'est pas nettoyé fréquemment.

**⚠ MISE EN GARDE :** Ne jamais utiliser des solvants ni tout autre produit chimique pour nettoyer les composants non métalliques de l'outil. Se servir d'un chiffon propre et sec seulement.

FIG. 9



## **Lubrification**

Les outils DeWALT sont bien lubrifiés en usine et ils sont prêts à servir. Il faut les lubrifier de nouveau régulièrement à tous les 60 jours à 6 mois, selon l'usage. (Les outils utilisés constamment pour la production ou pour des tâches de service intensif ainsi que les outils exposés à la chaleur peuvent nécessiter une lubrification plus fréquente.) Confier la lubrification de l'outil seulement au personnel qualifié des centres de service Snap-on.

## **Balais du moteur**

S'assurer que l'outil est débranché avant d'en vérifier les balais. Il faut examiner les balais au carbone régulièrement afin d'en observer le degré d'usure. Pour ce faire, dévisser les couvercles en plastique d'inspection des balais (de chaque côté du carter du moteur). Puis, retirer les ressorts et les balais de l'outil. Les balais devraient être propres et glisser librement dans leurs guides. Il y a des symboles sur les balais. Lorsque l'usure des balais atteint la ligne près du ressort, il faut les remplacer. On peut se procurer de nouveaux balais aux centres de service (consulter la rubrique «Outils électriques» des Pages Jaunes.)

## Accessoires

Les accessoires recommandés pour l'outil sont vendus chez les détaillants et aux centres de service de la région. La liste complète des centres de service se trouve dans l'emballage.

Pour trouver un accessoire, prière de communiquer avec Snap-on Tools Corporation, Kenosha, WI 53141, É.-U.,

⚠ **MISE EN GARDE** : L'utilisation de tout accessoire non recommandé peut être dangereuse.

Utiliser seulement des accessoires dont la vitesse nominale correspond au moins à la vitesse sous vide indiquée sur la plaque signalétique de l'outil. Cette mesure vaut pour tout accessoire et pour tout outil.

Tampons d'appui en caoutchouc : Tampon d'appui en caoutchouc super-flexible à dégagement rapide de 178mm (7 po), (comprend une rondelle de serrage).

Tampons de polissage et coiffes à polir : Il existe une gamme de tampons et de coiffes pour les polisseuses de 178mm (7 po) et de 229mm (9 po). Vérifier au centre de service Snap-on de la région.

## Important

Pour assurer la SÉCURITÉ D'EMPLOI et la FIABILITÉ de l'outil, n'en confier la réparation, l'entretien et les rajustements (y compris l'inspection et le remplacement des balais) qu'au personnel d'un centre de service Snap-on ou d'un atelier d'entretien autorisé n'utilisant que des pièces de rechange identiques.

## Garantie complète

Les outils industriels de service intensif Snap-on sont garantis pendant un an à partir de la date d'achat. Toute pièce d'un outil Snap-on qui s'avérerait défectueuse en raison d'un vice de matière ou de fabrication sera réparée sans frais. Il suffit de retourner l'outil complet à un centre de service Snap-on. La présente garantie ne couvre pas

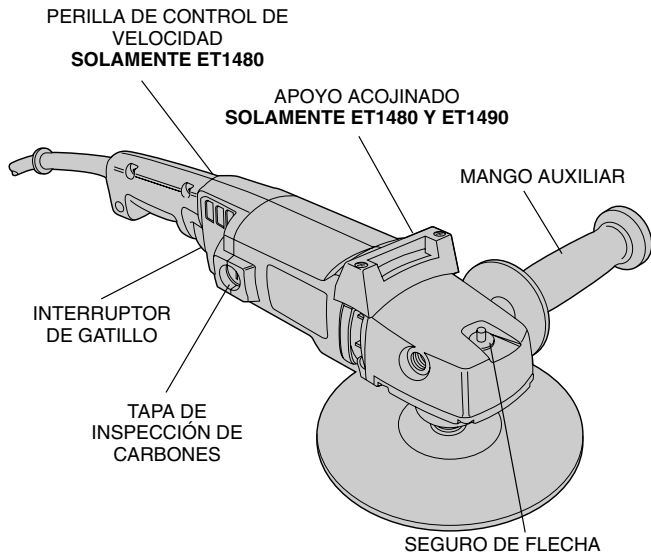
les accessoires ni les avaries dues aux réparations tentées ou effectuées par des tiers. Les modalités de la présente garantie donnent des droits légaux spécifiques.

L'utilisateur peut également se prévaloir d'autres droits selon l'état ou la province qu'il habite.

En outre, la garantie suivante couvre les outils Snap-on.

### **GARANTIE DE SATISFACTION DE 30 JOURS OU ARGENT REMIS**

Si, pour quelque raison que ce soit, l'outil ne donne pas entière satisfaction, il suffit de le retourner où il a été acheté dans les 30 jours suivant la date d'achat afin d'obtenir un remboursement intégral. Prière de retourner l'outil complet port payé. Une preuve d'achat peut être requise.



## Reglas generales de seguridad

⚠ ¡ADVERTENCIA! Lea y comprenda todas las instrucciones. No hacerlo puede originar riesgos de choque eléctrico, incendio y lesiones personales de gravedad.

### CONSERVE ESTAS INSTRUCCIONES

#### AREA DE TRABAJO

- *Conserve su área de trabajo limpia y bien iluminada. Las bancas amontonadas y las zonas oscuras propician los accidentes.*
- *No opere herramientas eléctricas en atmósferas explosivas, como en presencia de líquidos, gases o polvos inflamables. Las herramientas eléctricas producen chispas que pueden originar la ignición de los polvos o los vapores.*
- *Conserve a observadores, niños y visitantes alejados mientras opera una herramienta eléctrica. Las distracciones pueden ocasionar que pierda el control.*

#### SEGURIDAD ELECTRICA

- *Las herramientas con doble aislamiento están equipadas con una clavija polarizada (con una pata más ancha que la otra.) Esta clavija se acoplará únicamente en una toma de corriente polarizada de una manera. Si la clavija no se acopla al contacto, invírtala. Si aún así no se ajusta, comuníquese con un electricista calificado para que le instalen una toma de corriente polarizada apropiada. □ El doble aislamiento elimina la necesidad de cables con tres hilos y sistemas de alimentación con conexión a tierra.*
- *Evite el contacto corporal con superficies aterrizadas tales como tuberías, radiadores, hornos y refrigeradores. Hay un gran riesgo de choque eléctrico si su cuerpo hace tierra.*
- *No exponga las herramientas eléctricas a la lluvia o a condiciones de mucha humedad. El agua que se introduce en las herramientas aumenta el riesgo de descargas eléctricas.*

- **No maltrate el cable. Nunca tome el cable para transportar una herramienta ni para desconectarla de la toma de corriente. Consérvelo alejado de calor aceite, bordes afilados o piezas móviles. Cambie inmediatamente los cables dañados.** Los cables dañados aumentan el riesgo de choque eléctrico.
- **Cuando opere una herramienta eléctrica a la intemperie, utilice una extensión marcada "W-A" o "W".** Estas extensiones están clasificadas para uso a la intemperie y para reducir el riesgo de choques eléctricos. Cuando utilice una extensión, asegúrese de emplear una con el calibre suficiente para soportar la corriente necesaria para su herramienta. Una extensión con calibre inadecuado causará una caída en el voltaje de la línea resultando en pérdida de potencia y sobrecalentamiento. La tabla siguiente muestra el calibre correcto para usarse, relativo a la longitud de la extensión y el amperaje mencionado en la placa de identificación. Si tiene dudas, utilice el calibre siguiente. Mientras más pequeño sea el número del calibre, mayor será su capacidad.

| Calibre mínimo para cordones de extensión |                                     |                        |           |                |    |
|---|-------------------------------------|------------------------|-----------|----------------|----|
| Volts                                     | Longitud total del cordón en metros |                        |           |                |    |
| 120V                                      | 0-7,6                               | 7,6-15,2               | 15,2-30,4 | 30,4-45,7      |    |
| 240V                                      | 0-15,2                              | 15,2-30,4              | 30,4-60,9 | 60,9-91,4      |    |
| AMPERAJE                                  |                                     |                        |           |                |    |
| Más de                                    | No más de                           | Calibre del cordón AWG |           |                |    |
| 0-  | 6                                   | 18                     | 16        | 16             | 14 |
| 6-  | 10                                  | 18                     | 16        | 14             | 12 |
| 10-                                       | 12                                  | 16                     | 16        | 14             | 12 |
| 12-                                       | 16                                  | 14                     | 12        | No recomendado |    |

#### SEGURIDAD PERSONAL

- **Esté alerta concéntrese en lo que está haciendo. Recurra al sentido común cuando opere una herramienta eléctrica. No opere ninguna herramienta si se encuentra fatigado o bajo la influencia de drogas, alcohol o medicamentos.** Un momento

de desatención mientras se operan herramientas eléctricas puede ocasionar lesiones graves.

- **Vístase de manera adecuada. No tenga puestas ropas o artículos de joyería flojos. Cubra su cabello si lo tiene largo. Conserve su cabello, sus ropas y guantes alejados de las piezas móviles.** Las piezas de vestir flojas, las joyas y el cabello largo pueden resultar atrapados por las piezas móviles.
- **Evite el encendido accidental. Asegúrese que el interruptor esté en posición de apagado antes de conectar.** Sostener una herramienta con el dedo en el interruptor o conectarla sin fijarse si el interruptor está en posición de encendido propicia los accidentes.
- **Retire las llaves de ajuste antes de encender la herramienta.** Una llave que se deja en una pieza giratoria puede ocasionar lesiones personales.
- **No se sobreextienda. Conserve siempre los pies bien apoyados, al igual que el equilibrio.** La posición correcta de los pies y el equilibrio permiten controlar mejor la herramienta en situaciones inesperadas.
- **Utilice equipo de seguridad. Siempre utilice protección en los ojos.** Se deben utilizar mascarillas contra polvo, zapatos antiderrapantes, casco o protectores para los oídos para tener las condiciones apropiadas.

#### USO Y CUIDADOS DE LA HERRAMIENTA

- **Utilice prensas u otros medios prácticos para asegurar y apoyar la pieza de trabajo en una plataforma estable.** Sujetar las piezas con la mano o contra su cuerpo es inestable y puede originar la pérdida de control.
- **No fuerce la herramienta. Emplee la herramienta correcta para su aplicación.** La herramienta correcta hará el trabajo mejor y de manera más segura y bajo las especificaciones para las que fue diseñada.
- **No utilice la herramienta si el interruptor no enciende y apaga.** Cualquier herramienta que no pueda controlarse por medio del

interruptores peligrosa y debe reemplazarse.

- **Desconecte la clavija de la toma de corriente antes de hacer cualquier ajuste, cambio de accesorios o de guardar la herramienta.** Tales medidas de seguridad preventivas reducirán el riesgo de que la herramienta se encienda accidentalmente.
- **Guarde las herramientas fuera del alcance de los niños y de otras personas no capacitadas.** Las herramientas son peligrosas en manos de personas no capacitadas.
- **Cuide sus herramientas. Conserve las herramientas de corte afiladas y limpias.** Las herramientas que reciben un mantenimiento adecuado, con piezas de corte afiladas, difícilmente se atascan y son más fáciles de controlar.
- **Verifique la alineación de las piezas móviles, busque fracturas en las piezas y cualesquiera otras condiciones que puedan afectar la operación de las herramientas. Si está dañada, lleve su herramienta a servicio antes de usarla de nuevo.** Muchos accidentes se deben a herramientas con mantenimiento pobre.
- **Solamente use accesorios que el fabricante recomiende para su modelo de herramienta.** Los accesorios que estén diseñados para una herramienta, pueden volverse peligrosos cuando se emplean con otra.

#### SERVICIO

- **El servicio a las herramientas lo debe efectuar únicamente personal calificado.** El servicio o mantenimiento realizado por personal no calificado puede originar riesgos de lesiones.
- **Cuando efectúe servicio a una herramienta, utilice únicamente refacciones idénticas. Siga las instrucciones de la sección de Mantenimiento de este manual.** El empleo de piezas no autorizadas o no seguir las instrucciones de mantenimiento puede originar riesgos de choque eléctrico o lesiones.

- La etiqueta de su herramienta puede incluir los siguientes símbolos.

V .....volts

A .....amperes

Hz .....hertz

W .....watts

.../min.....minutos

~ .....corriente alterna

==== .....corriente directa

$n_0$ .....velocidad sin carga

☐ .....construcción Clase II

/min .....revoluciones por minuto

⊖ .....terminales de conexión a tierra

⚠ .....símbolo de alerta de seguridad

### Instrucciones adicionales de seguridad para lijadoras

- **UTILICE SIEMPRE PROTECCIÓN EN LOS OJOS.**

- Limpie su herramienta periódicamente.

⚠ **PRECAUCIÓN:** Utilice la protección auditiva adecuada durante el uso de esta unidad. Bajo ciertas condiciones y duración de uso, el ruido producido por este producto puede contribuir a la pérdida auditiva.

⚠ **ADVERTENCIA :** Parte del polvo creado al lijar, aserruchar, moler o perforar con máquina, así como al realizar otras actividades de la construcción, contiene sustancias químicas que se sabe producen cáncer, defectos congénitos u otras afecciones reproductivas. Algunos ejemplos de esas sustancias químicas son:

- plomo de pinturas a base de plomo,

- *silíce cristalizado de ladrillos y cemento y otros productos de albañilería, y*
- *arsénico y cromo de la madera químicamente tratada (CCA).*

*El riesgo al contacto con estas substancias varía, según la frecuencia en que se haga este tipo de trabajo. Para reducir la exposición a esas substancias químicas: trabaje en un área bien ventilada, y trabaje con equipos de seguridad aprobados, tales como máscaras contra el polvo especialmente diseñadas para filtrar las partículas microscópicas.*

- ***Evite el contacto prolongado con polvos originados por lijar, aserrar, esmerilar, taladrar y otras actividades constructivas. Vista ropas protectoras y lave las áreas expuestas con agua y jabón. Permitir que el polvo se introduzca en su boca, ojos, o dejarlo sobre la piel promueve la absorción de químicos dañinos.***

## **CONSERVE ESTAS INSTRUCCIONES**

### **Mango auxiliar**

Su herramienta cuenta con un mango auxiliar que puede instalarse a cualquiera de ambos lados de la carcasa frontal. Este mango debe utilizarse siempre para conservar control completo de la herramienta.

### **Interruptor de una velocidad**

#### **(SOLAMENTE ET1460)**

Estas herramientas están equipadas con un interruptor de encendido y apagado de una velocidad. Para encender la herramienta, oprima el interruptor de gatillo como se observa en la figura 2. Para apagar la herramienta, libere el interruptor de gatillo.

La herramienta puede asegurarse en modo de encendido permanente para operación continua oprimiendo el gatillo a fondo y presionando el botón del seguro ilustrado en la figura 2. Sujete el botón del seguro mientras suelta lentamente el interruptor de gatillo. La herramienta continuará en funcionamiento. Para apagar la

herramienta desde la posición de encendido permanente, oprima y libere el interruptor de gatillo una vez. No desconecte la herramienta con el mecanismo de encendido permanente activado. Asegúrese que no esté asegurada en posición de encendido permanente al conectarla, pues se encenderá inmediatamente.

### **Interruptor de velocidad variable**

#### **(SOLAMENTE ET1480 Y ET1490)**

Estas herramientas están equipadas con un interruptor de velocidad variable que permite controlar la velocidad de (cero a 1750 RPM - ET1480) (cero a 1000/3000 RPM - ET1490). Para encender la herramienta, oprima el interruptor de gatillo mostrado en la figura 2 hasta que la herramienta se encienda. Mientras más oprima el gatillo, la herramienta funcionará a mayor velocidad. Al soltar el gatillo se apaga la herramienta.

Utilice velocidades bajas para aplicar ceras y pulimentos líquidos y velocidades altas para remover el líquido ya seco. Utilice la mayor velocidad (con el gatillo oprimido a fondo) para obtener el lustre final. La herramienta puede asegurarse en modo de encendido permanente para operación continua oprimiendo simultáneamente el interruptor de gatillo a fondo y el botón del seguro ilustrado en la figura 2. Conserve oprimido el botón del seguro mientras libera lentamente el gatillo. La herramienta continuará en funcionamiento. Para apagar la herramienta desde la posición de encendido permanente, oprima y libere el interruptor de gatillo una vez. No desconecte la herramienta con el mecanismo de encendido permanente activado. Asegúrese que no esté asegurada en posición de encendido permanente al conectarla, pues se encenderá inmediatamente.

**NOTA:** El gatillo se puede asegurar únicamente con la herramienta funcionando a las RPM máximas.



## **Perilla de control de velocidad**

### **SOLAMENTE ET1490)**

Se puede cambiar la velocidad máxima de su herramienta girando la perilla de control de velocidad a la posición deseada. La perilla cuenta con posiciones preestablecidas para evitar movimientos inadvertidos en la perilla y facilitar la selección de velocidad. Para mayor versatilidad, se puede asegurar el interruptor de gatillo en la posición de mayor velocidad y cambiar la velocidad de operación de la herramienta por medio de la perilla de control (observe la figura 3).

El control electrónico de velocidad no sólo le permite seleccionar la que mejor se acomode a su trabajo, también le ayuda a conservar la velocidad al aplicarle carga a la herramienta al presionarla hacia abajo. Esta característica, junto con el interruptor de gatillo de velocidad variable, le brindan gran utilidad a su herramienta.

La perilla de control de velocidad se puede ajustar para cualquier velocidad entre 1000 y 3000 RPM y el interruptor de velocidad variable controlará la velocidad de la herramienta desde cero hasta la velocidad seleccionada en la perilla. Por ejemplo: la posición de 2200 RPM en la perilla permitirá que el interruptor haga funcionar la herramienta entre 0 y 2200 RPM, dependiendo de qué tanto se oprima el gatillo. La perilla ajustada a 1000 RPM permitirá que el interruptor haga funcionar la herramienta desde 0 hasta 1000 RPM.

El control electrónico de velocidad entra en juego siempre que el interruptor de gatillo está presionado a fondo y la herramienta funciona a la velocidad determinada por la perilla de control. Al aplicarle carga a la herramienta presionándola contra la superficie de trabajo (con el gatillo oprimido a fondo) el circuito electrónico de la herramienta compensará por la carga y conservará la velocidad seleccionada. Si la velocidad seleccionada en la perilla de control es de 2200 RPM, como en el ejemplo anterior, la herramienta conservará las 2200 RPM al aplicarle carga.

Es importante recordar dos cosas acerca del control electrónico de velocidad:

1. El control electrónico de velocidad funciona únicamente cuando el gatillo está completamente oprimido.
2. El efecto del control electrónico de velocidad es mucho más fácil de observarse a bajas velocidades (2600 RPM y menores), que a velocidades altas. Cuando la herramienta se acerca a las 3000 RPM, el efecto es mucho menos dramático.

Tenga en mente que con una pulidora convencional funcionando a un velocidad sin carga típica de 2400 RPM, la herramienta baja su velocidad a cerca de 2000 RPM bajo la carga aplicada a pulir. Su DW849 continuará funcionando a 2400 RPM (o a cualquiera que sea la velocidad seleccionada) al aplicar la carga. Ya que no pierde velocidad, esta puede ser mayor a la que usted está acostumbrado, así que deberá tener precaución hasta que se acostumbre a su nueva pulidora. Si siente que la velocidad es demasiado alta, usted podrá bajar la velocidad con el interruptor de gatillo o bien con la perilla de control.

## **Botón de seguro de la flecha**

APAGUE LA HERRAMIENTA Y DESCONÉCTELA DE LA TOMA DE CORRIENTE.

(Observe la figura 1) para evitar que la flecha de la herramienta gire al instalar o quitar accesorios, la caja de engranes de su herramienta cuenta con un botón de seguro de la flecha. Para asegurar la flecha, oprima y sujete el botón del seguro. NUNCA OPRIMA EL BOTÓN DEL SEGURO DE LA FLECHA CON LA HERRAMIENTA EN FUNCIONAMIENTO O GIRANDO.

## **Instalación y remoción de almohadillas de pulido (figuras 4 y 5)**

APAGUE LA HERRAMIENTA Y DESCONÉCTELA DE LA TOMA DE CORRIENTE.

Para colocar un bonete, empuje el cubo de la roldana de seguridad

a través del orificio que se encuentra en el centro de la base de respaldo tanto como sea posible. Enganche el orificio hexagonal del respaldo. Sujete con firmeza las tres piezas juntas, coloque el montaje en la flecha de la herramienta. Sujete el botón del seguro de la flecha mientras gira el respaldo en el sentido de las manecillas del reloj para atornillarlo completamente en la flecha.

Para retirar la almohadilla, gire el respaldo a mano en sentido opuesto a la rotación normal para permitir que el botón del seguro se trabaje con la flecha, a continuación, desenrosque en la dirección normal para cuerda derecha.

**NOTA:** Si está utilizando un bonete para pulir, en vez de una almohadilla, coloque primero la roldana de seguridad, extienda el bonete completamente sobre la almohadilla de respaldo y tire de las correas hasta que estén estiradas. Haga un nudo y colóquelo junto con la cuerda suelta debajo del bonete, entre éste y la almohadilla de respaldo.

**⚠️ ADVERTENCIA:** EL NUDO Y LA CUERDA SOBRENTE DEBEN COLOCARSE POR COMPLETO DEBAJO DE LA PIEZA DE TELA. NO HACER ESTO PUEDE OCASIONARLE LESIONES GRAVES.

## **Pulido**

Estas instrucciones y sugerencias intentan familiarizar a nuevos operadores en el funcionamiento general del pulido con máquina. Usted desarrollará con el tiempo sus propias técnicas que le harán el trabajo más rápido y más sencillo.

Debe tener el mayor cuidado al pulir alrededor o sobre objetos afilados y contornos de la carrocería del automóvil. Es muy importante utilizar la presión correcta al pulir las diferentes partes de una carrocería. Por ejemplo, deberá aplicar presión ligera para pulir sobre los bordes afilados de ciertos paneles, o sobre los bordes de las canaletas de desagüe que se encuentran en los toldos.

Ya que no todo el mundo utiliza el mismo pulimento, le recomendamos hacer primero una prueba en una sección plana del

automóvil. A partir de esta sección usted podrá juzgar la fuerza o la acción de limpieza de su pulimento.

Recuerde que no todos los pulimentos son iguales. Las diferentes marcas reaccionarán de diferente manera en diversas superficies. Ahora está utilizando una pulidora de poder con pulimento de poder. Esto es completamente diferente a cualquier aplicación manual que haya realizado anteriormente. Lave el automóvil antes de pulirlo. El lavado removerá la mugre suelta, sal del camino, y otros desechos que pudiesen actuar como abrasivos y dañar la pintura. La mugre suelta también tapaná el bonete de pulido y tendrá que limpiarlo más a menudo.

Sujete los mangos de la herramienta y levántela sin encenderla. Conserve la herramienta lejos de su cuerpo y encienda el interruptor. Asegúrese de sujetar los mangos con firmeza y opere la herramienta libremente, sin esfuerzo o presión innecesaria. El mango lateral puede cambiarse de lado fácilmente para operación izquierda o derecha.

**NOTA:** La acción a alta velocidad del bonete de pulido en la superficie del automóvil puede formar una carga estática en las partes metálicas de la herramienta. Esto puede causar la sensación de un leve choque eléctrico al tocar el área metálica de la herramienta, que es más perceptible en los días con baja humedad. Este es un fenómeno inofensivo, pero está usted invitado a traer su herramienta a un centro de servicio Snap-on para que la revisen y se aseguren que no existe un mal funcionamiento eléctrico.

## **Aplicación de lijado**

**(SOLAMENTE ET1490)**

### **INSTALACIÓN Y REMOCIÓN DE DISCOS ABRASIVOS**

**(FIGURAS 6, 7, Y 8)**

**APAGUE LA HERRAMIENTA Y DESCONÉCTELA DE LA TOMA DE CORRIENTE.**

Para instalar un disco de lija, empuje el cubo de la roldana de

seguridad a través del centro de los discos de lija y fenólico tanto como sea posible, y a través del respaldo también. Enrosque la roldana de seguridad en la flecha, en el sentido de las manecillas del reloj. Evite que la flecha gire utilizando el botón del seguro.

Para quitar un disco abrasivo, utilice un guante o un trapo para protegerse la mano. Gire el montaje del disco en sentido opuesto a las manecillas del reloj (Figura 8). Evite que la flecha gire utilizando el botón del seguro.

## **Lijado**

### **(SOLAMENTE ET1490)**

(Observe la figura 9) Cuando emplee un disco abrasivo, sujete la herramienta de manera que se forme un ángulo de 10° a 15° entre el disco y la pieza de trabajo. Si se emplea únicamente la orilla del disco de lija, obtendrá un acabado rugoso. Si presiona el disco de lija en plano contra la superficie de trabajo, la acción de lijado será irregular, y la herramienta será difícil de controlar.

## **Limpieza**

El procedimiento de mantenimiento regular consta de soplear con aire comprimido el bonete y la carcasa del motor. El polvo contiene partículas metálicas que se acumulan a menudo en las superficies internas, con el riesgo de ocasionar un choque eléctrico si no se limpian con frecuencia.

**⚠ PRECAUCIÓN:** Nunca utilice solventes ni otros productos químicos agresivos para limpiar las piezas no metálicas de la herramienta. Utilice únicamente un trapo seco y limpio.

## **Lubricación**

Las herramientas Snsap-on se lubrican apropiadamente en la fábrica y están listas para usarse. Las herramientas deben relubrificarse regularmente cada sesenta días a seis meses, dependiendo de su uso. (Las herramientas que se emplean constantemente en tareas pesadas o de producción, y las que se exponen al calor pueden

requerir lubricación con mayor frecuencia.) Esta lubricación debe ser realizada únicamente por personal capacitado como el de los centros de servicio Snap-on u otras estaciones de servicio autorizado.

## **Carbones del motor**

Asegúrese que la herramienta esté desconectada antes de revisar los carbones. Los carbones deben inspeccionarse regularmente en busca de desgaste. Para revisar los carbones, destornille las tapas de inspección de plástico (localizadas a los lados de la carcasa del motor) para sacar los montajes de carbones y resortes de la herramienta. Conserve los carbones limpios y deslizándose libremente en sus guías. Los carbones tienen varios símbolos estampados, cuando se han desgastado hasta la línea más cercana al resorte deben cambiarse. Hay a su disposición montajes de carbones nuevos en los centros de servicio; consulte "Herramientas eléctricas" en la sección amarilla de su directorio telefónico.. Cuando los carbones se hayan desgastado, la herramienta se apagará automáticamente para evitar daños al motor.

## **Accesorios**

Los accesorios recomendados para emplearse con su herramienta se encuentran a su disposición con costo extra con su distribuidor o centro de servicio locales. Se incluye una lista completa de los centros de servicio con su herramienta.

**⚠ PRECAUCIÓN:** El uso de cualquier accesorio no recomendado puede ser peligroso.

Únicamente utilice accesorios cuya velocidad máxima de operación sea por lo menos tan alta como la velocidad "NO LOAD RPM" indicada en la placa de identificación de la herramienta. Esta precaución se aplica a todos los accesorios para cualquier herramienta.

Respaldos de goma: Respaldo de goma super flexible de cambio rápido de 178 mm (7") (incluye roldana de seguridad).

Almohadillas y bonetes para pulir: Snap-on cuenta con gran variedad de bonetes y almohadillas para pulidoras de 178 mm (7") y 229 mm (9"). Busque en el centro de servicio Snap-on de su localidad.

### **Importante**

Para garantizar la SEGURIDAD y la CONFIABILIDAD, deberán hacerse reparaciones, mantenimiento y ajustes de esta herramienta (inclusive inspección y cambio de carbones) en los centros autorizados de servicio u otras organizaciones autorizadas que empleen siempre refacciones legítimas.

### **Garantía Completa**

Las herramientas industriales Snap-on están garantizadas durante un año a partir de la fecha de compra. Repararemos, sin cargos, cualquier falla debida a material o mano de obra defectuosos. Por favor regrese la unidad completa, con el transporte pagado, a cualquier Centro de Servicio para Herramientas Industriales de Snap-on o a las estaciones de servicio autorizado enlistadas bajo "Herramientas Eléctricas" en la Sección Amarilla. Esta garantía no se aplica a los accesorios ni a daños causados por reparaciones efectuadas por terceras personas. Esta garantía le otorga derechos legales específicos, y usted puede tener otros derechos que pueden variar de estado a estado. En adición a la garantía, las herramientas Snap-on están amparadas por nuestra:

#### **GARANTÍA DE SATISFACCIÓN SIN RIESGO POR 30 DÍAS**

Si usted no se encuentra completamente satisfecho con el desempeño de su herramienta industrial Snap-on, sencillamente devuélvala a los vendedores participantes durante los primeros 30 días después de la fecha de compra para que le efectúen un reembolso completo. Por favor regrese la unidad completa, con el transporte pagado. Se puede requerir prueba de compra.

## Free Manuals Download Website

<http://myh66.com>

<http://usermanuals.us>

<http://www.somanuals.com>

<http://www.4manuals.cc>

<http://www.manual-lib.com>

<http://www.404manual.com>

<http://www.luxmanual.com>

<http://aubethermostatmanual.com>

Golf course search by state

<http://golfingnear.com>

Email search by domain

<http://emailbydomain.com>

Auto manuals search

<http://auto.somanuals.com>

TV manuals search

<http://tv.somanuals.com>