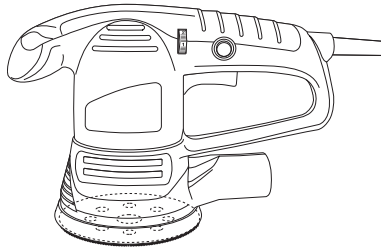


Random Orbit Sander

INSTRUCTION MANUAL

KEY INFORMATION YOU SHOULD KNOW:

- Never operate the sander without recommended sandpaper properly installed on the base.
- Do not push down—let the sander do the work.
- Extended drywall sanding is not recommended.



Catalog No. FS400ROS

BEFORE RETURNING THIS PRODUCT FOR ANY REASON PLEASE CALL

1-800-544-6986

IF YOU SHOULD HAVE A QUESTION OR EXPERIENCE A PROBLEM WITH YOUR BLACK & DECKER PRODUCT, CALL 1-800-544-6986

BEFORE YOU CALL, HAVE THE FOLLOWING INFORMATION AVAILABLE, CATALOG No., TYPE No., AND DATE CODE (e.g. 0130M). IN MOST CASES, A BLACK & DECKER REPRESENTATIVE CAN RESOLVE YOUR PROBLEM OVER THE PHONE. IF YOU HAVE A SUGGESTION OR COMMENT, GIVE US A CALL. YOUR FEEDBACK IS VITAL TO BLACK & DECKER.

SAVE THIS MANUAL FOR FUTURE REFERENCE.

VEA EL ESPAÑOL EN LA CONTRAPORTADA.

INSTRUCTIVO DE OPERACIÓN, CENTROS DE SERVICIO Y PÓLIZA DE GARANTÍA. **ADVERTENCIA:** LEÁSE ESTE INSTRUCTIVO ANTES DE USAR EL PRODUCTO.

Cat. No. FS400ROS Form No. 587892-00 Copyright © 2004 Black & Decker Printed in China (May-04)

⚠ General Safety Rules

⚠ **WARNING:** Read and understand all instructions. Failure to follow all instructions listed below may result in electric shock, fire and/or serious personal injury.

SAVE THESE INSTRUCTIONS

Work Area

- **Keep your work area clean and well lit.** Cluttered benches and dark areas invite accidents.
- **Do not operate power tools in explosive atmospheres, such as in the presence of flammable liquids, gases, or dust.** Power tools create sparks which may ignite the dust or fumes.
- **Keep bystanders, children, and visitors away while operating a power tool.** Distractions can cause you to lose control.

Electrical Safety

- **Double insulated tools are equipped with a polarized plug (one blade is wider than the other).** This plug will fit in a polarized outlet only one way. If the plug does not fit fully in the outlet, reverse the plug. If it still does not fit, contact a qualified electrician to install a polarized outlet. Do not change the plug in any way. Double insulation □ eliminates the need for the three wire grounded power cord and grounded power supply system.
- **Avoid body contact with grounded surfaces such as pipes, radiators, ranges and refrigerators.** There is an increased risk of electric shock if your body is grounded.
- **Don't expose power tools to rain or wet conditions.** Water entering a power tool will increase the risk of electric shock.
- **Do not abuse the cord. Never use the cord to carry the tools or pull the plug from an outlet. Keep cord away from heat, oil, sharp edges or moving parts. Replace damaged cords immediately.** Damaged cords increase the risk of electric shock.
- **When operating a power tool outside, use an outdoor extension cord marked "W-A" or "W".** These cords are rated for outdoor use and reduce the risk of electric shock.

Personal Safety

- **Stay alert, watch what you are doing and use common sense when operating a power tool. Do not use tool while tired or under the influence of drugs, alcohol, or medication.** A moment of inattention while operating power tools may result in serious personal injury.
- **Dress properly. Do not wear loose clothing or jewelry. Contain long hair. Keep your hair, clothing, and gloves away from moving parts.** Loose clothing, jewelry, or long hair can be caught in moving parts. Air vents may cover moving parts and should be avoided.
- **Avoid accidental starting. Be sure switch is off before plugging in.** Carrying tools with your finger on the switch or plugging in tools that have the switch on invites accidents.
- **Remove adjusting keys or wrenches before turning the tool on.** A wrench or key that is left attached to a rotating part of the tool may result in personal injury.
- **Do not overreach. Keep proper footing and balance at all times.** Proper footing and balance enables better control of the tool in unexpected situations.
- **Use safety equipment. Always wear eye protection.** Dust mask, non-skid safety shoes, hard hat, or hearing protection must be used for appropriate conditions.

Tool Use and Care

- **Use clamps or other practical way to secure and support the workpiece to a stable platform.** Holding the work by hand or against your body is unstable and may lead to loss of control.
- **Do not force tool. Use the correct tool for your application.** The correct tool will do the job better and safer at the rate for which it is designed.
- **Do not use tool if switch does not turn it on or off.** Any tool that cannot be controlled with the switch is dangerous and must be repaired.
- **Disconnect the plug from the power source before making any adjustments, changing accessories, or storing the tool.** Such preventative safety measures reduce the risk of starting the tool accidentally.
- **Store idle tools out of reach of children and other untrained persons.** Tools are dangerous in the hands of untrained users.
- **Maintain tools with care. Keep cutting tools sharp and clean.** Properly maintained

- tools, with sharp cutting edges are less likely to bind and are easier to control.
- **Check for misalignment or binding of moving parts, breakage of parts, and any other condition that may affect the tools operation. If damaged, have the tool serviced before using.** Many accidents are caused by poorly maintained tools.
- **Use only accessories that are recommended by the manufacturer for your model.** Accessories that may be suitable for one tool, may become hazardous when used on another tool.

Service

- **Tool service must be performed only by qualified repair personnel.** Service or maintenance performed by unqualified personnel could result in a risk of injury.
- **When servicing a tool, use only identical replacement parts. Follow instructions in the Maintenance section of this manual.** Use of unauthorized parts or failure to follow Maintenance Instructions may create a risk of electric shock or injury.

Specific Safety Rules

⚠ **WARNING:** Some dust created by power sanding, sawing, grinding, drilling, and other construction activities contains chemicals known to cause cancer, birth defects or other reproductive harm. Some examples of these chemicals are:

- lead from lead-based paints,
- crystalline silica from bricks and cement and other masonry products, and
- arsenic and chromium from chemically-treated lumber (CCA).

Your risk from these exposures varies, depending on how often you do this type of work. To reduce your exposure to these chemicals: work in a well ventilated area, and work with approved safety equipment, such as those dust masks that are specially designed to filter out microscopic particles.

- **Avoid prolonged contact with dust from power sanding, sawing, grinding, drilling, and other construction activities. Wear protective clothing and wash exposed areas with soap and water.** Allowing dust to get into your mouth, eyes, or lay on the skin may promote absorption of harmful chemicals.

⚠ **WARNING:** Use of this tool can generate and/or disburse dust, which may cause serious and permanent respiratory or other injury. Always use NIOSH/OSHA approved respiratory protection appropriate for the dust exposure. Direct particles away from face and body.

⚠ **CAUTION:** Wear appropriate hearing protection during use. Under some conditions and duration of use, noise from this product may contribute to hearing loss.

The label on your tool may include the following symbols.

V	volts	A	amperes
Hz	hertz	W	watts
min	minutes	~	alternating current
— — —	direct current	n _o	no load speed
□	Class II Construction	⊕	earthing terminal
⚠	safety alert symbol	.../min	revolutions or reciprocations per minute

Features

This tool includes some or all of the following features.

1. On/off switch
2. Lock-on button
3. Variable speed control knob
4. Dust extraction port
5. Sanding platen

Composants

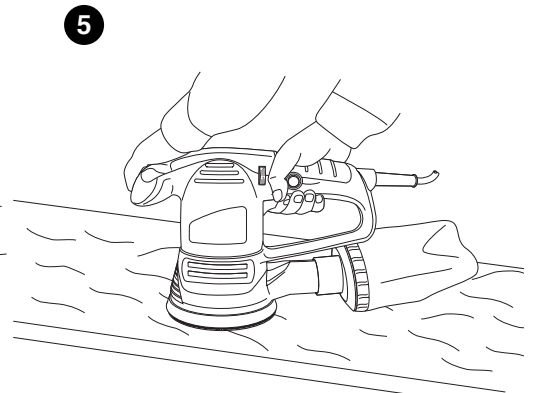
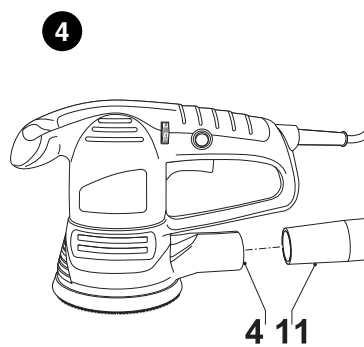
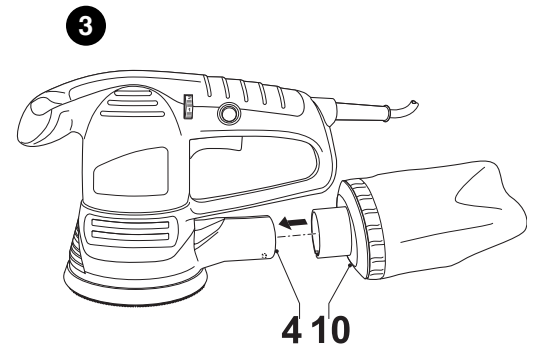
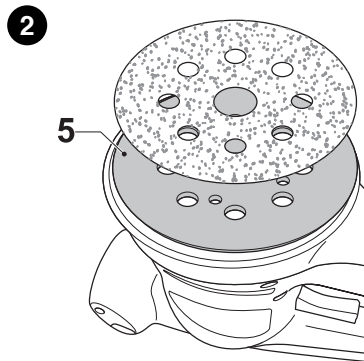
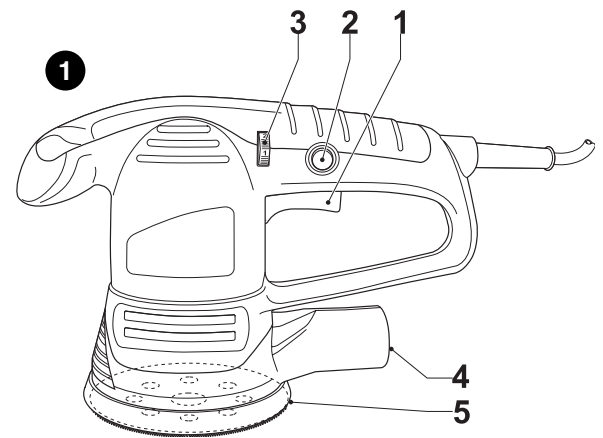
Cet outil comprend un ou plusieurs des composants suivants.

1. Interrupteur marche-arrêt
2. Bouton de verrouillage en position de marche
3. Bouton de réglage de la vitesse variable
4. Orifice d'aspiration
5. Plaque de ponçage

Características

Esta herramienta incluye todas o algunas de las siguientes características:

1. Conmutador de encendido/apagado
2. Botón de bloqueo en encendido
3. Botón de control de velocidad variable
4. Puerto de extracción de polvo
5. Placa de lijado



Safety Warnings and Instructions: Sanders

- **ALWAYS WEAR EYE AND RESPIRATORY PROTECTION.**
- Clean your tool out periodically.

⚠ Other Important Safety Warnings and Instructions

Sanding

Lead based Paint

Sanding of lead based paint is NOT RECOMMENDED due to the difficulty of controlling the contaminated dust. The greatest danger of lead poisoning is to children and pregnant women.

Since it is difficult to identify whether or not a paint contains lead without a chemical analysis, we recommend the following precautions when sanding any paint:

Personal Safety

- No children or pregnant women should enter the work area where the paint sanding is being done until all clean up is completed.
- A dust mask or respirator should be worn by all persons entering the work area. The filter should be replaced daily or whenever the wearer has difficulty breathing.
NOTE: Only those dust masks suitable for working with lead paint dust and fumes should be used. Ordinary painting masks do not offer this protection. See your local hardware dealer for the proper (NIOSH approved) mask.
- **NO EATING, DRINKING or SMOKING** should be done in the work area to prevent ingesting contaminated paint particles. Workers should wash and clean up BEFORE eating, drinking or smoking. Articles of food, drink, or smoking should not be left in the work area where dust would settle on them.

Environmental Safety

- Paint should be removed in such a manner as to minimize the amount of dust generated.
- Areas where paint removal is occurring should be sealed with plastic sheeting of 4 mils thickness.
- Sanding should be done in a manner to reduce tracking of paint dust outside the work area.

Cleaning and Disposal

- All surfaces in the work area should be vacuumed and thoroughly cleaned daily for the duration of the sanding project. Vacuum filter bags should be changed frequently.
- Plastic drop cloths should be gathered up and disposed of along with any dust chips or other removal debris. They should be placed in sealed refuse receptacles and disposed of through regular trash pick-up procedures. During clean up, children and pregnant women should be kept away from the immediate work area.
- All toys, washable furniture and utensils used by children should be washed thoroughly before being used again.

Extension Cords

When using an extension cord, be sure to use one heavy enough to carry the current your product will draw. An undersized cord will cause a drop in line voltage resulting in loss of power and overheating. The following table shows the correct size to use depending on cord length and nameplate ampere rating. If in doubt, use the next heavier gage. The smaller the gage number, the heavier the cord.

Volts	Minimum Gage for Cord Sets Total Length of Cord in Feet				
	0-25	26-50	51-100	101-150	151-200
120V	0-25	26-50	51-100	101-150	151-200
240V	0-50	51-100	101-200	201-300	

Ampere Rating		American Wire Gage				
More Than	Not more Than	18	16	14	12	
0	6	18	16	14	12	
6	10	18	16	14	12	
10	12	16	16	14	12	
12	16	14	12	Not Recommended		

Motor

Be sure your power supply agrees with nameplate marking. 120 Volts AC only means your tool will operate on standard 60 Hz household power. Do not operate AC tools on DC. A rating of 120 volts AC/DC means that you tool will operate on standard 60 Hz AC or DC power. This information is printed on the nameplate. Lower voltage will cause loss of power and can result in over-heating. All Black & Decker tools are factory-tested; if this tool does not operate, check the power supply.

SAVE THESE INSTRUCTIONS

Operating Instructions

- ⚠ **WARNING:** To prevent accidental operation, turn off and unplug sander before performing the following operations. Failure to do this could result in personal injury.
- ⚠ **WARNING:** To reduce the risk of personal injury, read, understand and follow all important safety warnings and instructions prior to using this tool.

Assembly

Fitting sanding sheets (figure 2)

Press the sheet firmly and evenly onto the sanding platen (5), making sure that the holes in the sheet line up with the holes in the base. Never use the tool without a sanding sheet or accessory in place.

Dust extraction (figure 3)

⚠ **WARNING:** Collected sanding dust from sanding surface coatings (polyurethane, linseed oil, etc.) can self-ignite in sander dust bag or elsewhere and cause fire. To reduce risk, empty bag frequently and strictly follow sander manual and coating manufacturer's instructions.

Your sander comes equipped with a cloth dustbag to collect the dust generated while sanding. To attach the dustbag onto the sander simply slide it firmly into the dust extraction port at the back of the sander.

To empty the dust dustbag, remove it from the sander by pulling it straight back. Dump the sanding debris into an appropriate trash receptacle.

You may, if you prefer, attach a vacuum cleaner to the tool to collect the dust as you sand. A vacuum hose adaptor is available as a service part at extra cost. To find your nearest Black & Decker Service Center location, refer to the yellow pages directory under "Tools—Electric" or call: **1-800-54-HOW-TO (544-6986)**.

To use the adaptor, remove the dust bag and replace it with the adaptor, then install a vacuum hose.

Ensure that the vacuum cleaner can be placed such that it will not tip over or interfere with the motion of the sander. If this cannot be done, do not use the vacuum cleaner. Turn on the vacuum cleaner before beginning to sand and turn it off after turning off the sander. Empty vacuum cleaner as required.

Connecting a vacuum cleaner (figure 4)

Insert the hose (11) of the vacuum cleaner into the dust extraction port (4).

Holding the sander (figure 5)

Hold the sander with two hands, one on the auxiliary handle in the front of the unit and the other on the handle.

Operation

Variable speed control

The variable speed control allows you to adapt the speed of the tool to the workpiece material. Set the control knob (3) to the desired setting. Use a high speed for wood, medium speed for veneer and synthetics and low speed for acrylic glass, non-ferrous metals and for removing paints.

Switching on and off

To switch the tool on, press the on/off switch (1). For continuous operation, press the lock-on button (2) and release the on/off switch. To switch the tool off, release the on/off switch. To switch the tool off when in continuous operation, press the on/off switch once more and release it.

Automatic brake system

This feature keeps the speed of the platen limited as long as the tool does not touch the workpiece. As soon as the tool is placed on the workpiece, the platen will reach its normal operating speed.

Operation

Grasp the sander and turn it ON. Move it in long, sweeping strokes along the surface, letting it do the work. Utilize an even pressure across the sanding pad. Excessive pressure in the corner area may cause damage. Pushing down on the tool while sanding actually slows the removal rate and produces an inferior quality finish. Check your work often. Sander is capable of removing material rapidly.

Emptying the dustbag

The dustbag should be emptied every 10 minutes. Shake the dustbag to empty the contents.

Hints for optimum use

- Do not exert too much pressure on the tool.
- Regularly check the condition of the sanding disc. Replace when necessary.
- Always sand with the grain of the wood.
- When sanding new layers of paint before applying another layer, use extra fine grit.
- On very uneven surfaces, or when removing layers of paint, start with a coarse grit. On other surfaces, start with a medium grit. In both cases, gradually change to a fine grit for a smooth finish.

Maintenance / Cleaning

Use only mild soap and damp cloth to clean the tool. Never let any liquid get inside the tool; never immerse any part of the tool into a liquid.

IMPORTANT: To assure product SAFETY and RELIABILITY, repairs, maintenance and adjustment should be performed by authorized service centers or other qualified service personnel, always using identical replacement parts.

Accessories

Recommended accessories for use with your tool are available from your local dealer or authorized service center. If you need assistance regarding accessories, please call: **1-800-54-HOW TO (1-800-544-6986)**.

⚠ **WARNING:** The use of any accessory not recommended for use with this tool could be hazardous.

Special WARRANTY Note to Contractors:

FIRESTORM™ branded products are offered as high end consumer home use tools and carry a **HOME USE WARRANTY**. These tools are designed, manufactured and tested to meet or exceed the needs of the do-it-yourselfer in the execution of projects and repairs in and around the home. With proper use they will provide the home owner with step up power and performance well beyond their two year warranty. However, if you use tools for a living and use FIRESTORM™ branded products or any of Black & Decker's other Consumer Home Use tools **ON THE JOBSITE** you should know that they **CANNOT BE COVERED UNDER OUR WARRANTY**.

Service Information

All Black & Decker Service Centers are staffed with trained personnel to provide customers with efficient and reliable power tool service. Whether you need technical advice, repair, or genuine factory replacement parts, contact the Black & Decker location nearest you. To find your local service location, refer to the yellow page directory under "Tools—Electric" or call: **1-800-544-6986** or visit www.blackanddecker.com

Full Two-Year Home Use Warranty

Black & Decker (U.S.) Inc. warrants this product for two years against any defects in material or workmanship. The defective product will be replaced or repaired at no charge in either of two ways.

The first, which will result in exchanges only, is to return the product to the retailer from whom it was purchased (provided that the store is a participating retailer). Returns should be made within the time period of the retailer's policy for exchanges (usually 30 to 90 days after the sale). Proof of purchase may be required. Please check with the retailer for their specific return policy regarding returns that are beyond the time set for exchanges.

The second option is to take or send the product (prepaid) to a Black & Decker owned or authorized Service Center for repair or replacement at our option. Proof of purchase may be required. Black & Decker owned and authorized Service Centers are listed under "Tools—Electric" in the yellow pages of the phone directory and on our website www.blackanddecker.com.

This warranty does not apply to accessories. This warranty gives you specific legal rights and you may have other rights which vary from state to state. Should you have any questions, contact the manager of your nearest Black & Decker Service Center. This product is not intended for commercial use.

FREE WARNING LABEL REPLACEMENT: If your warning labels become illegible or are missing, call 1-800-544-6986 for a free replacement.

Black & Decker (U.S.) Inc.,
701 E. Joppa Rd.
Towson, MD 21286 U.S.A.



See 'Tools-Electric'
– Yellow Pages –
for Service & Sales



PONCEUSE ORBITALE À MOUVEMENT ALÉATOIRE

GUIDE D'UTILISATION

N° de catalogue **FS400ROS**

AVANT DE RETOURNER LE PRODUIT
POUR QUELQUE RAISON QUE CE SOIT,
COMPOSER LE

1 800 544-6986

IMPORTANTES RENSEIGNEMENTS :

- Ne jamais utiliser la ponceuse sans le papier abrasif recommandé installé correctement sur sa base.
- Ne pas appuyer sur la ponceuse, la laisser effectuer le travail.
- Le ponçage intensif du placoplâtre n'est pas recommandé.

⚠ Règles de sécurité - Généralités

⚠ **AVERTISSEMENT :** Lire, comprendre et suivre toutes les directives précisées ci-dessous, y compris les consignes de sécurité, afin d'éviter les risques de choc électrique, d'incendie ou de blessure grave.

CONSERVER LE PRÉSENT GUIDE À TITRE DE RÉFÉRENCE

Aire de travail

- **L'aire de travail doit être propre et bien éclairée.** Les établis encombrés et les endroits sombres peuvent entraîner des accidents.
- **Ne pas faire fonctionner des outils électriques dans des atmosphères explosives, comme en présence de liquides, de gaz et de poussières inflammables.** Les outils électriques produisent des étincelles qui peuvent enflammer la poussière ou les vapeurs.
- **Tenir les enfants, les visiteurs ou toute autre personne à l'écart lorsqu'on utilise un outil électrique;** les distractions peuvent faire perdre la maîtrise de ce dernier.

Mesures de sécurité – Électricité

- **Les outils à double isolation sont munis d'une fiche polarisée (c'est-à-dire que l'une des lames est plus large que l'autre), laquelle ne peut être raccordée qu'à une prise polarisée et ce, dans un seul sens; on doit l'inverser si on est incapable de l'enfoncer complètement. Si la fiche ne s'adapte toujours pas, on doit faire appel à un électricien qualifié pour qu'il installe la prise appropriée. On ne doit jamais modifier la fiche.** La double isolation □ élimine le besoin d'installer un cordon d'alimentation trifilaire et un système d'alimentation électrique pourvus d'une mise à la terre.
- **Éviter tout contact entre le corps et les éléments mis à la terre, comme les tuyaux, les radiateurs, les cuisinières et les réfrigérateurs,** afin de réduire les risques de choc électrique.
- **Ne pas utiliser l'outil électrique dans des endroits mouillés, ni l'exposer à la pluie;** l'infiltration d'eau à l'intérieur de l'outil augmente les risques de choc électrique.

Entretien / Nettoyage

Nettoyer l'outil seulement au moyen d'un linge humide et d'un savon doux. Ne jamais laisser de liquide s'infiltrer à l'intérieur de l'outil; ne jamais immerger ce dernier dans quelque liquide que ce soit.

IMPORTANT : Pour assurer la SÉCURITÉ et la FIABILITÉ de ce produit, toutes les opérations de réparation, d'entretien et de réglage doivent être effectuées dans un centre de service autorisé ou par du personnel qualifié; on ne doit utiliser que des pièces de rechange identiques.

Accessoires

Les accessoires recommandés pour cet outil sont vendus séparément chez les dépositaires locaux ou aux centres de service autorisés. Pour obtenir plus d'information sur les accessoires, composer le : **1 800 544-6986 (1-800-54-HOW-TO)**.

⚠ **AVERTISSEMENT** : L'usage d'un accessoire non recommandé avec cet outil peut présenter un danger.

Remarque à l'intention des entrepreneurs concernant la garantie spéciale

Les produits de marque FIRESTORM^{MC} sont des outils hauts de gamme destinés aux consommateurs et comportent une **GARANTIE POUR USAGE RÉSIDENTIEL**. Ces outils sont conçus, fabriqués et mis à l'essai en vue de répondre aux besoins du bricoleur, ou de les dépasser, lorsque ce dernier réalise des projets ou effectue des réparations à l'intérieur ou à l'extérieur de sa résidence. Utilisés correctement, ces outils procurent à l'utilisateur un rendement et une puissance supérieurs qui excèdent de loin la période de garantie de deux ans. Par contre, tout outil utilisé à des fins commerciales ou tout produit de marque FIRESTORM^{MC} ou tout autre produit Black & Decker destiné aux consommateurs et réservé à un usage résidentiel, utilisé dans le cadre d'une **ACTIVITÉ RELIÉE AU TRAVAIL, N'EST PAS COUVERT PAR LA PRÉSENTE GARANTIE.**

Information sur les services

Black & Decker dispose d'un réseau complet composé de centres de service et de centres autorisés situés partout en Amérique du Nord. Tous les centres de service Black & Decker sont dotés de personnel qualifié en matière d'outillage électrique; ils sont donc en mesure d'offrir à leur clientèle un service efficace et fiable. Pour obtenir un conseil technique ou une pièce d'origine ou pour faire réparer un outil, on peut communiquer avec le centre Black & Decker le plus près. Pour obtenir le numéro de téléphone, consulter les pages jaunes sous la rubrique "Outils - électriques" ou composer le **1 800 544-6986 (1-800-54-HOW-TO)**.

Garantie complète de deux ans pour usage résidentiel

Black & Decker (U.S.) Inc. garantit ce produit pour une période de deux ans contre tout défaut de matériel ou de fabrication. Le produit défectueux sera remplacé ou réparé sans frais, suivant l'une des deux méthodes suivantes.

La première méthode consiste en un échange seulement. On doit retourner le produit au détaillant qui l'a vendu (pourvu qu'il s'agisse d'un détaillant participant), en respectant les délais stipulés dans sa politique relative aux échanges (normalement de 30 à 90 jours après la vente). Une preuve d'achat peut être requise. On doit vérifier la politique de retour du détaillant pour tout produit retourné après le délai prescrit pour les échanges.

La deuxième méthode consiste à apporter ou à envoyer le produit (prépayé) à un centre Black & Decker ou à un centre de service autorisé aux fins de réparation ou de remplacement, selon notre choix. Une preuve d'achat peut être requise. Les centres Black & Decker et les centres de service autorisés sont répertoriés dans les pages jaunes sous la rubrique «Outils - électriques».

Cette garantie ne s'applique pas aux accessoires. Elle confère des droits légaux particuliers à l'acheteur, mais celui-ci pourrait aussi bénéficier d'autres droits variant d'un territoire à l'autre. Toute question doit être adressée au gérant du centre Black & Decker le plus près.

Ce produit n'est pas destiné à un usage commercial.

REEMPLACEMENT GRATUIT DE L'ÉTIQUETTE D'AVERTISSEMENT : En cas de perte ou d'endommagement des étiquettes d'avertissement, composer le **1 800 544-6986** afin d'en obtenir de nouvelles sans frais.

Imported by / Importé par
Black & Decker Canada Inc.
100 Central Ave.
Brockville (Ontario) K6V 5W6

Voir la rubrique "Outils électriques"
des Pages Jaunes
pour le service et les ventes.



LIJADORA EXCÉNTRICA

MANUAL DE INSTRUCCIONES

NUMERO DE CATALOGO FS4000ROS

ANTES DE DEVOLVER ESTE PRODUCTO POR
CUALQUIER RAZON LE ROGAMOS LLAME AL
(55) 5326-7100

INFORMACIÓN CLAVE QUE DEBE CONOCER:

- Nunca opere la lijadora sin tener el papel de lija adecuado debidamente instalado en su base.
- No presione — deje que la lijadora haga el trabajo.
- No se recomienda el lijado prolongado de muro seco.

⚠ Instrucciones de seguridad generales

⚠ **ADVERTENCIA:** Lea todas las instrucciones hasta comprenderlas. No ajustarse a las instrucciones siguientes puede ser causa de choque eléctrico, incendio o lesiones graves.

GUARDE ESTE MANUAL PARA FUTURAS CONSULTAS

Área de trabajo

- Mantenga el área de trabajo limpia y bien iluminada. Las bancadas desordenadas y las zonas oscuras propician los accidentes.
- No opere herramientas eléctricas en atmósferas explosivas, como en presencia de líquidos, gases o polvos inflamables. Las herramientas eléctricas producen chispas que pueden originar la ignición del polvo o los vapores.
- Mientras opere una herramienta eléctrica, mantenga lejos a los observadores, niños y visitantes. Las distracciones pueden ocasionar que pierda el control.

Seguridad eléctrica

- Las herramientas con doble aislamiento están equipadas con una clavija polarizada (una pata es más ancha que la otra). Esta clavija se acoplará a un enchufe polarizado de una sola manera. Si la clavija no se acopla al contacto, inviértala. Si aún así no se ajusta, comuníquese con un electricista cualificado para que instale un enchufe polarizado apropiado. Nunca cambie la clavija. El doble aislamiento □ elimina la necesidad de cables con tres hilos y sistemas de suministro eléctrico con conexión a tierra.
- Evite el contacto del cuerpo con superficies conectadas a tierra, tales como tuberías, radiadores, registros y refrigeradores. El riesgo de choque eléctrico aumenta si su cuerpo hace tierra.
- No esponga las herramientas eléctricas a la lluvia o a condiciones de mucha humedad. Si entra agua en una herramienta eléctrica, aumenta el riesgo de choque eléctrico.
- No maltrate el cable. Nunca tome el cable para transportar la herramienta ni para desconectarla del enchufe. Mantenga el cable alejado de las fuentes de calor, el aceite, las orillas afiladas o las piezas en movimiento. Cambie inmediatamente los cables dañados. Los cables dañados aumentan el peligro de choque eléctrico.
- Cuando opere una herramienta eléctrica a la intemperie, utilice una extensión marcada "W-A" o "W". Estas extensiones están clasificadas para uso a la intemperie y para reducir el riesgo de choque eléctrico.

Seguridad personal

- Al utilizar una herramienta eléctrica, esté atento, concéntrese en lo que hace y aplique el sentido común. No utilice la herramienta si se encuentra fatigado o bajo la influencia de drogas, alcohol o fármacos. Mientras se utilizan herramientas eléctricas, basta un instante de distracción para sufrir lesiones graves.

- Lleve ropa adecuada. No utilice ropa suelta ni joyas. Recójase el cabello largo. Mantenga el cabello, la ropa y los guantes apartados de las piezas en movimiento. Las partes móviles pueden atrapar las prendas de vestir sueltas, las joyas y el cabello. Los orificios de ventilación suelen cubrir piezas en movimiento, por lo que también se deben evitar.
- Evite puestas en marcha accidentales. Asegúrese de que el interruptor esté apagado antes de enchufar la máquina. Transportar las herramientas con el dedo sobre el interruptor o enchufarlas con el interruptor encendido favorece los accidentes.
- Antes de poner en marcha la herramienta, retire las llaves de ajuste. Una llave que se deje en una pieza giratoria de la herramienta puede provocar lesiones.
- No ponga en peligro su estabilidad. Manténgase siempre bien apoyado y equilibrado. Un buen apoyo y equilibrio permiten controlar mejor la herramienta si se produce algún imprevisto.
- Utilice el equipo de seguridad. Lleve siempre lentes protectores. Cuando sea adecuado, también se debe usar mascarilla antipolvo, zapatos de suela antideslizante, casco o protectores auditivos.

Uso y cuidados de la herramienta

- Utilice abrazaderas u otro elemento adecuado para sujetar y apoyar la pieza de trabajo en una plataforma estable. Sujetar la pieza con la mano o contra el cuerpo es inestable y facilita la pérdida de control.
- No fuerce la herramienta. Emplee la herramienta correcta para cada aplicación. La herramienta correcta hace el trabajo mejor y más seguro dentro del rango para el que ha sido diseñada.
- No utilice la herramienta si el interruptor no la enciende y apaga. Cualquier herramienta que no pueda controlarse con el interruptor es peligrosa y se debe reparar.
- Desconecte la clavija del enchufe antes de proceder a cualquier ajuste, cambiar un accesorio o guardar la herramienta. Estas medidas de seguridad preventiva reducen el riesgo de poner en marcha la herramienta accidentalmente.
- Cuando no las utilice, guarde las herramientas fuera del alcance de los niños o de cualquier persona no capacitada. Las herramientas son peligrosas en manos de usuarios no capacitados.
- Cuide las herramientas. Conserve las herramientas de corte afiladas y limpias. Unas herramientas adecuadamente cuidadas y con los bordes de corte afilados se atascan menos y son más fáciles de controlar.
- Compruebe si las piezas móviles se desalinean o atascan, si hay alguna pieza rota o cualquier otra circunstancia que pueda afectar la operación de la herramienta. Si la herramienta está dañada, hágala reparar antes de usarla. Muchos accidentes los provocan unas herramientas mal cuidadas.
- Utilice únicamente los accesorios recomendados por el fabricante para su modelo. Un mismo accesorio puede ser adecuado para una herramienta, pero peligroso si se usa en otra.

Servicio

- El servicio a la herramienta sólo deber ser realizado por personal de reparación calificado. Si el servicio o mantenimiento es realizado por personal no calificado, podría resultar en riesgo de lesión.
- Cuando se repare una herramienta, sólo se deben usar repuestos originales. Siga las instrucciones en la sección de mantenimiento de este manual. El uso de repuestos no autorizados o el incumplimiento de las instrucciones de mantenimiento pueden crear un riesgo de descarga eléctrica o lesión.

Normas específicas de seguridad

⚠ **ADVERTENCIA:** Parte del polvo generado al lijar, serrar, esmerilar y taladrar, así como al realizar otras actividades del sector de la construcción, contienen productos químicos que pueden producir cáncer, defectos congénitos u otras afecciones reproductivas. Ejemplos de esas sustancias químicas son:

- plomo procedente de pinturas a base de plomo,
- óxido de silicio cristalino procedente de ladrillos, cemento y otros productos de mampostería, y
- arsénico y cromo procedentes de madera tratada químicamente (CCA).

El peligro derivado de estas exposiciones que usted enfrente varía en función de la frecuencia con que se realice este tipo de trabajo. Para reducir la exposición a esas sustancias químicas: trabaje en una zona bien ventilada y llevando equipos de seguridad aprobados, como mascarillas antipolvo especialmente diseñadas para filtrar partículas microscópicas.

⚠ **Evite el contacto prolongado con el polvo procedente del lijado, serrado, esmerilado y taladrado eléctricos, así como de otras actividades del sector de la construcción. Lleve ropa protectora y lave con agua y jabón las zonas expuestas.** Si permite que el polvo se introduzca en la boca u ojos o quede sobre la piel, puede favorecer la absorción de productos químicos peligrosos.

⚠ **ADVERTENCIA:** El uso de esta herramienta puede generar o dispersar polvo lo cual puede causar lesiones respiratorias serias y permanentes y otros tipos de lesión. Siempre use protección respiratoria aprobada por NIOSH/OSHA para la exposición al polvo. Dirija las partículas en dirección opuesta a su cara y cuerpo.

⚠ **PRECAUCIÓN:** Utilice una protección auditiva apropiada durante el uso. En determinadas condiciones y con utilizations prolongadas, el ruido generado por este producto puede favorecer la pérdida de audición.

La etiqueta de su herramienta puede incluir los siguientes símbolos.

V	volts	A	amperes
Hz	hertz	W	watts
min	minutos	~	corriente alterna
===	corriente directa	no	velocidadsin carga
☐	construcción clase II	⊕	terminales de conexión a tierra
⚠	símbolo de alerta seguridad	.../min	revoluciones o reciprocaciones porminuto

Advertencias e instrucciones de seguridad: Lijadoras

- UTILICE SIEMPRE PROTECCION PARA LOS OJOS.

- Limpie su herramienta periódicamente.

⚠ Otras advertencias e instrucciones de seguridad importantes

Lijado

Pinturas con base de plomo

El lijado de pinturas con base de plomo NO SE RECOMIENDA debido a la dificultad de control del polvo contaminado. El envenenamiento por plomo es más peligroso para niños y mujeres embarazadas.

Ya que es difícil identificar si una pintura contiene plomo o no, sin antes hacer un análisis químico, le recomendamos que se tomen las siguientes precauciones cuando lije cualquier pintura:

Seguridad personal

- No permita que entren al área de trabajo niños ni mujeres embarazadas cuando lije pintura hasta que haya terminado de asear el lugar.
- Se recomienda el uso de máscaras o respiradores para todas las personas que entren al área de trabajo. El filtro se debe reemplazar diariamente o cuando el usuario tenga dificultad para respirar.
- NOTA:** Sólo deben utilizarse mascarar adecuadas para trabajo con polvo y vapores de pintura. Las mascarar ordinarias para pintura no ofrecen esta protección. Vea a su distribuidor de herramienta local para conseguir la máscara adecuada.
- NO COMA, BEBA O FUME en la zona de trabajo para evitar ingerir partículas de pintura contaminadas. Los usuarios deberán lavarse y limpiarse ANTES de comer, beber o fumar. No deben dejarse artículos para comer beber o fumar en el área de trabajo donde el polvo se asentaría en ellos.

Seguridad ambiental

- La pintura debe removerse de tal manera que se minimice la cantidad generada de polvo.
- Se deben sellar las áreas en que se remueve pintura con láminas de plástico de 4 mils. de espesor.
- El lijado debe hacerse en tal forma que se reduzca el desalojo de pintura fuera de la zona de trabajo.

Limpieza y desecho

- Todas las superficies en el área de trabajo deben ser aspiradas y limpiadas a conciencia diariamente el tiempo que dure el proyecto de lijado. Las bolsas filtro de las aspiradoras deben cambiarse frecuentemente.
- Las láminas de plástico deben recogerse y desecharse con cualquier resto de pintura. Deben depositarse en receptáculos sellados y deben desecharse a través de los procedimientos de recolección de basura normales. Durante la limpieza, niños y mujeres embarazadas deben permanecer alejados de la zona de trabajo inmediata.
- Todo tipo de juguetes, mobiliario lavable y utensilios usados por niños deben lavarse a conciencia antes de volver a utilizarse.

Uso de alargadores

Cuando use un alargador, asegúrese de usar uno de un calibre suficiente como para cargar con la corriente que requerirá su producto. Un cable de menor calibre causará una caída en el voltaje de la línea lo que resultará en pérdida de potencia y sobrecalentamiento. El siguiente cuadro muestra el tamaño correcto a utilizar, dependiendo del largo del cable y el amperaje nominal. Si tiene dudas sobre cuál calibre usar, use un calibre mayor. Mientras menor el número del calibre, mayor la capacidad del cable.

	Calibre mínimo para juegos de cables					
Voltios	Largo total del cable en metros					
120 V	0 - 7,6	7,6 - 15,2	15, 2 - 30,4	30, 4 - 45,7		
240 V	0 - 15,2	15,2 - 30,4	30, 4 - 60,9	60,9 - 91, 4		
Amperaje nominal						
Más de	No más de	American Wire Gage				
0	-	6	18	16	16	14
6	-	10	18	16	14	12
10	-	12	16	16	14	12
12	-	16	14	12	NO RECOMENDADO	

Motor

Asegúrese de que su alimentación eléctrica sea la requerida en la placa nominal. 120 voltios de corriente alterna sólo significa que su herramienta operará con la potencia doméstica estándar de 60 Hz. No opere herramientas de corriente alterna en corriente directa. Una especificación de 120 voltios AC/DC significa que su herramienta operará en 60 Hz estándar de potencia en corriente alterna o corriente directa. Esta información está impresa en la placa nominal. Un voltaje menor causará pérdida de potencia y puede resultar en sobrecalentamiento. Todas las herramientas Black & Decker han sido probadas en la fábrica; si esta herramienta no funciona, revise la alimentación eléctrica.

CONSERVE ESTAS INSTRUCCIONES

Instrucciones de funcionamiento

⚠ ADVERTENCIA: Apague y desenchufe la sierra antes de realizar las siguientes operaciones, para evitar que arranque accidentalmente. De lo contrario podría resultar en una lesión corporal.

⚠ ADVERTENCIA: Para reducir el riesgo de lesiones corporales, lea, comprenda y siga todas las advertencias e instrucciones importantes de seguridad antes de utilizar esta herramienta.

Montaje

Instalación de las hojas de papel de lija (figura 2)

Presione la hoja firme y parejamente contra la placa de lijado (5), verificando que los orificios de la hoja queden alineados con los de la base. Nunca utilice la herramienta sin antes equiparla con una hoja de papel de lija o algún accesorio.

Extracción de polvo (Figuras 3)

ADVERTENCIA: El polvo acumulado del lijado de superficies revestidas (poliuretano, aceite de linaza, etc.) puede auto-inflamarse en la bolsa para polvo de la lijadora u otro lado y causar incendios. Para reducir este riesgo, vacíe la bolsa frecuentemente y siga estrictamente las instrucciones del manual de la lijadora y del fabricante del revestimiento lijado.

Su lijadora viene con una bolsa para polvo de tela para acumular el polvo generado al lijar. Para ponerle la bolsa para polvo a la lijadora, simplemente deslícela firmemente sobre el puerto de extracción de polvo que se encuentra en la parte posterior de la lijadora.

Para vaciar la bolsa para polvo, tire de ella hacia atrás para retirarla de la lijadora. Vacíe los restos del lijado a un recipiente de basura apropiado.

Si prefiere, puede conectar una aspiradora a la herramienta para que vaya aspirando el polvo mientras lija.

Puede comprar un adaptador para la manguera de la aspiradora como repuesto. Para encontrar el Centro de Servicio Black & Decker local, busque en las páginas amarillas de la guía telefónica bajo "Herramientas—Eléctricas" o llame al: **1-800-544-6986 (1-800-54-HOW-TO)**

Para usar el adaptador, retire la bolsa para polvo y ponga el adaptador en su lugar. Luego instale la manguera de la aspiradora.

Asegúrese que la aspiradora pueda ser colocada de modo que no se volcará ni interferirá con el movimiento de la lijadora. Si esto no se puede hacer, no use la aspiradora. Encienda la aspiradora antes de comenzar a lijar y apáguela luego de apagar la lijadora. Vacíe la aspiradora cuando sea necesario.

Conexión a una aspiradora (figura 4)

Inserte la manguera (11) de la aspiradora al puerto de extracción de polvo (4).

Cómo sostener la lijadora (figura 5)

Sostenga la lijadora con ambas manos, una en el mango auxiliar en la parte delantera de la unidad y la otra en el mango principal.

Funcionamiento

Control de velocidad variable

El control de velocidad variable le permite adaptar la velocidad de la herramienta al material de la pieza de trabajo. Fije el control (3) a la configuración deseada. Use una velocidad alta para madera, mediana para enchapados y sintéticos, y baja para acrílico, vidrio, metales no ferrosos y para quitar pintura.

Encendido y apagado

Para encender la herramienta, presione el conmutador de encendido y apagado (1). Para un funcionamiento continuo, presione el botón de bloqueo en encendido (2) y suelte el conmutador de encendido y apagado. Para apagar la herramienta, suelte el conmutador de encendido y apagado. Para apagar la herramienta cuando está en modalidad de funcionamiento continuo, presione el conmutador una vez más y suéltelo.

Sistema automático de detención

Esta característica restringe la velocidad de la placa siempre que la herramienta no toque la pieza de trabajo. El segundo que la pieza de trabajo haga contacto con la herramienta, la placa alcanzará su velocidad normal de operación.

Operacion

Tome la lijadora y enciéndala. Haga movimientos largos y continuos sobre la superficie, permitiendo que la herramienta haga el trabajo. Aplique presión uniforme sobre la base de lijado. Presión excesiva en la punta puede dañarla. Aplicar presión a la unidad únicamente hace más lento el proceso de lijado y da como resultado una superficie de calidad inferior. Asegúrese de revisar su trabajo a menudo, ya que la lijadora remueve el material rápidamente.

Vaciado del saco de polvo

El saco de polvo debería ser vaciado cada 10 minutos. Sacuda el saco para vaciar su contenido.

Consejos para un uso óptimo

- No ejerza demasiada presión sobre la herramienta.
- Revise la condición del disco de lijado en forma regular. Cámbielo cuando sea necesario.
- Siempre lije siguiendo la veta de la madera.
- Use un papel de lija de grano extra fino cuando lije capas nuevas de pintura, antes de aplicar otra capa.
- Empiece a lijar con un papel de lija de grano grueso cuando lije superficies demasiado disparejas o cuando quite capas de pintura. En otras superficies, empiece con un grano mediano. En ambos casos cambie gradualmente a un grano fino para un acabado suave.

Mantenimiento / Limpieza

Utilice solamente jabón suave y agua para limpiar la herramienta. Nunca permita que ningún líquido se introduzca dentro de la misma; nunca sumerja ninguna parte de la herramienta dentro de un líquido.

IMPORTANTE: Para garantizar la SEGURIDAD y FIABILIDAD del producto, toda reparación, mantenimiento y ajuste, deberán ser realizados en los centros autorizados de servicio u otras organizaciones de servicio calificadas, utilizando siempre para ello accesorios originales.

Accesorios

Los accesorios que se recomiendan usar con su herramienta están disponibles donde su distribuidor o centro de servicio local. De necesitar asistencia para obtener un accesorio, favor llamar al: **1-800-544-6986 (1-800-54-HOW-TO)**

⚠ ADVERTENCIA: Puede ser peligroso usar cualquier accesorio no recomendado.

Nota especial de GARANTÍA para Contratistas:

Los productos de marca FIRESTORM^{MC} se ofrecen como herramientas de calidad superior para uso doméstico y llevan una GARANTÍA PARA USO DOMÉSTICO. Estas herramientas son diseñadas, fabricadas y probadas para satisfacer o sobrepasar las necesidades del bricolero en la ejecución de proyectos y reparaciones en su casa y sus alrededores. El uso apropiado de esta herramienta le dará al dueño de casa una potencia y un desempeño superiores que durarán mucho más que la garantía de dos años. Sin embargo, si utiliza herramientas para su trabajo y usa productos de marca FIRESTORM^{MC} o cualquiera de las herramientas para uso doméstico Black & Decker EN SU LUGAR DE TRABAJO, debería saber que NO PODRÁ SER CUBIERTO BAJO NUESTRA GARANTÍA.

Información de servicio

Black & Decker ofrece una red completa de centros de servicio y centros autorizados en toda Norteamérica. Todos los centros de servicio Black & Decker disponen de personal entrenado para dar un servicio eficiente y confiable a las herramientas eléctricas de sus clientes. De necesitar orientación técnica, reparación o repuestos originales de fábrica, diríjase al centro Black & Decker local. Para hallar la ubicación del centro de servicio más cercano, busque en las páginas amarillas de la guía telefónica bajo "Herramientas—Eléctricas" o llame a: **1-800-544-6986 (1-800-54-HOW-TO)**.

Garantía completa de dos años para uso doméstico

Black & Decker (U.S.) Inc. garantiza este producto por dos años contra cualquier defecto en su material o fabricación. Existen dos opciones para reemplazar o reparar el producto defectuoso, sin costo.

La primera, la cual resultará sólo en un cambio, es devolver el producto al vendedor del cual fue comprado (siempre que sea un local participante). Las devoluciones deberán realizarse durante el plazo especificado en la política de devoluciones del vendedor (generalmente entre 30 y 90 días después de la fecha de compra). Puede que sea necesario presentar prueba de compra. Por favor averigüe cuál es la política del vendedor para devoluciones efectuadas más allá del plazo para cambios.

La segunda opción es llevar o enviar el producto (con franqueo pagado) a un Centro de Servicio autorizado o al Centro de Servicio Black & Decker para su reparación o reemplazo, a decisión nuestra. Puede que sea necesario presentar prueba de compra. Los Centros de Servicio autorizados y Centros de Servicio Black & Decker se encuentran en las páginas amarillas bajo “Herramientas eléctricas”.

Esta garantía no aplica a los accesorios. Esta garantía le da derechos legales específicos además de los cuales puede tener otros, los cuales varían entre estados. Si tuviese alguna pregunta, contacte al gerente de su Centro de Servicio Black & Decker más cercano. Éste producto no es para uso comercial.

SUSTITUCIÓN GRATUITA DE LAS ETIQUETAS DE ADVERTENCIA: Si sus etiquetas de advertencia se vuelven ilegibles o se pierden, llame al **1-800-544-6986** para conseguir repuestos gratuitos.

Para reparación y servicio de sus herramientas eléctricas, favor de dirigirse al Centro de Servicio más cercano:

CULIACAN, SIN	MONTERREY, N.L.	TORREON, COAH
	Av. Francisco I. Madero	Blvd. Independencia, 96 Pte.
	No.831	(871) 716 5265
Av. Nicolás Bravo #1063 Sur	(81) 8375 2313	Col. Centro
(667) 7 12 42 11	Col. Centro	VERACRUZ, VER
Col. Industrial Bravo		Prolongación Díaz Mirón #4280
GUADALAJARA, JAL	PUEBLA, PUE	(229)921 7016
Av. La Paz #1779	17 Norte #205	Col. Remes
(33) 3825 6978	(222) 246 3714	VILLAHERMOSA, TAB
Col. Americana Sector Juarez	Col. Centro	Constitución 516-A
MEXICO, D.F.	QUERETARO, QRO	(993) 312 5111
Eje Central Lázaro Cardenas	Av. Madero 139 Pte.	Col. Centro
No. 18	(442) 214 1660	
(55) 5588 9377	Col. Centro	
Local D, Col. Obrera	SAN LUIS POTOSI, SLP	
MERIDA, YUC	Av. Universidad 1525	
Calle 63 #459-A	(444) 814 2383	
(999) 928 5038	Col. San Luis	
Col. Centro		

PARA OTRAS LOCALIDADES LLAME AL: (55) 5326 7100

Epecificaciones		
FS4000ROS		
Tensión de alimentación:	120V	
Potencia nominal:	446W	
Consumo de corriente:	4,0A	
Frecuencia de operación:	60Hz	

<p>IMPORTADOR: BLACK & DECKER S.A. DE C.V. <p>BOSQUES DE RADIATAS NO. 42 <p>BOSQUES DE LAS LOMAS, 05120 MEXICO, D.F. <p>TEL (55)5326-7100</p></p></p></p>	<p>Para servicio y ventas consulte "HERRAMIENTAS ELECTRICAS" en la sección amarilla.</p>	
---	---	---

Free Manuals Download Website

<http://myh66.com>

<http://usermanuals.us>

<http://www.somanuals.com>

<http://www.4manuals.cc>

<http://www.manual-lib.com>

<http://www.404manual.com>

<http://www.luxmanual.com>

<http://aubethermostatmanual.com>

Golf course search by state

<http://golfingnear.com>

Email search by domain

<http://emailbydomain.com>

Auto manuals search

<http://auto.somanuals.com>

TV manuals search

<http://tv.somanuals.com>