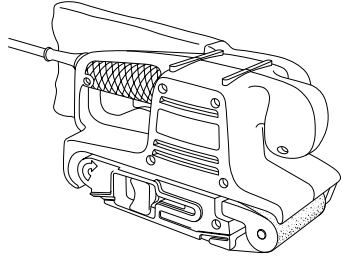


3" x 21" BELT SANDER

INSTRUCTION MANUAL

Catalog Number BR400



BEFORE RETURNING THIS PRODUCT FOR ANY REASON PLEASE CALL

1-800-54-HOW-TO (544-6986)

IF YOU SHOULD EXPERIENCE A PROBLEM WITH YOUR BLACK & DECKER PRODUCT, CALL 1-800-54-HOW-TO (544-6986)

BEFORE YOU CALL, HAVE THE FOLLOWING INFORMATION AVAILABLE, CATALOG No., TYPE No., AND DATE CODE (e.g. 0130M). IN MOST CASES, A BLACK & DECKER REPRESENTATIVE CAN RESOLVE YOUR PROBLEM OVER THE PHONE. IF YOU HAVE A SUGGESTION OR COMMENT, GIVE US A CALL. YOUR FEEDBACK IS VITAL TO BLACK & DECKER.

KEY INFORMATION YOU SHOULD KNOW:

- When using inversion clamps make sure sander is securely clamped to work surface.
- Always start your belt sander before it is in contact with the workpiece and do not switch it off until after it has been lifted from the workpiece.
- Always hold your belt sander with two hands.

SAVE THIS MANUAL FOR FUTURE REFERENCE.

VEA EL ESPAÑOL EN LA CONTRAPORTADA.
INSTRUCTIVO DE OPERACIÓN, CENTROS DE SERVICIO Y PÓLIZA DE GARANTÍA. **ADVERTENCIA:** LEA ESTE INSTRUCTIVO ANTES DE USAR EL PRODUCTO.

Catalog No. BR400 Form No. 622392-00 (DEC-03-1) Copyright © 2003 Black & Decker Printed in China

General Safety Rules

WARNING: Read and understand all instructions. Failure to follow all instructions listed below may result in electric shock, fire and/or serious personal injury.

SAVE THESE INSTRUCTIONS

Work Area

- **Keep your work area clean and well lit.** Cluttered benches and dark areas invite accidents.
- **Do not operate power tools in explosive atmospheres, such as in the presence of flammable liquids, gases, or dust.** Power tools create sparks which may ignite the dust or fumes. Use in well ventilated areas only.
- **Keep bystanders, children, and visitors away while operating a power tool.** Distractions can cause you to lose control.

Electrical Safety

- **Double insulated tools are equipped with a polarized plug (one blade is wider than the other.) This plug will fit in a polarized outlet only one way. If the plug does not fit fully in the outlet, reverse the plug. If it still does not fit, contact a qualified electrician to install a polarized outlet. Do not change the plug in any way.** Double insulation eliminates the need for the three wire grounded power cord and grounded power supply system.
- **Avoid body contact with grounded surfaces such as pipes, radiators, ranges and refrigerators.** There is an increased risk of electric shock if your body is grounded.
- **Don't expose power tools to rain or wet conditions.** Water entering a power tool will increase the risk of electric shock.
- **Do not abuse the cord. Never use the cord to carry the tools or pull the plug from an outlet. Keep cord away from heat, oil, sharp edges or moving parts. Replace damaged cords immediately.** Damaged cords increase the risk of electric shock.
- **When operating a power tool outside, use an outdoor extension cord marked "W-A" or "W."** These cords are rated for outdoor use and reduce the risk of electric shock.

Personal Safety

- **Stay alert, watch what you are doing and use common sense when operating a power tool. Do not use tool while tired or under the influence of drugs, alcohol, or medication.** A moment of inattention while operating power tools may result in serious personal injury.
- **Dress properly. Do not wear loose clothing or jewelry. Contain long hair. Keep your hair, clothing, and gloves away from moving parts.** Loose clothing, jewelry, or long hair can be caught in moving parts. Air vents cover moving parts and should be avoided.
- **Avoid accidental starting. Be sure switch is off before plugging in.** Carrying tools with your finger on the switch or plugging in tools that have the switch on invites accidents.
- **Remove adjusting keys or wrenches before turning the tool on.** A wrench or key that is left attached to a rotating part of the tool may result in personal injury.
- **Do not overreach. Keep proper footing and balance at all times.** Proper footing and balance enables better control of the tool in unexpected situations.
- **Use safety equipment. Always wear eye protection.** Dust mask, non-skid safety shoes, hard hat, or hearing protection must be used for appropriate conditions.

Tool Use and Care

- **Use clamps or other practical way to secure and support the workpiece to a stable platform.** Holding the work by hand or against your body is unstable and may lead to loss of control.
- **Do not force tool. Use the correct tool for your application.** The correct tool will do the job better and safer at the rate for which it is designed.
- **Do not use tool if switch does not turn it on or off.** Any tool that cannot be controlled with the switch is dangerous and must be repaired.
- **Disconnect the plug from the power source before making any adjustments, changing accessories, or storing the tool.** Such preventative safety measures reduce the risk of starting the tool accidentally.
- **Store idle tools out of reach of children and other untrained persons.** Tools are dangerous in the hands of untrained users.
- **Maintain tools with care. Keep cutting tools sharp and clean.** Properly maintained tools, with sharp cutting edges are less likely to bind and are easier to control.

- **Check for misalignment or binding of moving parts, breakage of parts, and any other condition that may affect the tools operation. If damaged, have the tool serviced before using.** Many accidents are caused by poorly maintained tools.
- **Use only accessories that are recommended by the manufacturer for your model.** Accessories that may be suitable for one tool, may become hazardous when used on another tool.

Service

- **Tool service must be performed only by qualified repair personnel.** Service or maintenance performed by unqualified personnel could result in a risk of injury.
- **When servicing a tool, use only identical replacement parts. Follow instructions in the Maintenance section of this manual.** Use of unauthorized parts or failure to follow Maintenance Instructions may create a risk of electric shock or injury.

Specific Safety Rules

- **Hold tool by insulated gripping surfaces when performing an operation where the cutting tool may contact hidden wiring or its own cord.** Contact with a "live" wire will make exposed metal parts of the tool "live" and shock the operator.

WARNING: Some dust created by power sanding, sawing, grinding, drilling, and other construction activities contains chemicals known to cause cancer, birth defects or other reproductive harm. Some examples of these chemicals are:

- lead from lead-based paints,
- crystalline silica from bricks and cement and other masonry products, and
- arsenic and chromium from chemically-treated lumber. (CCA)

Your risk from these exposures varies, depending on how often you do this type of work. To reduce your exposure to these chemicals: work in a well ventilated area, and work with approved safety equipment, such as those dust masks that are specially designed to filter out microscopic particles.

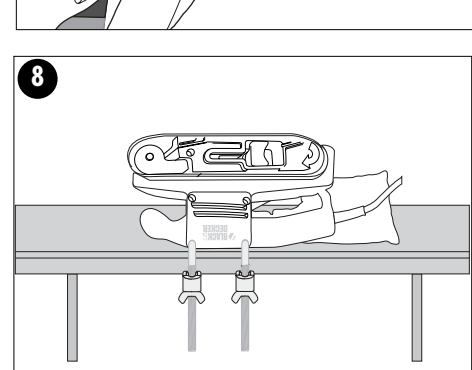
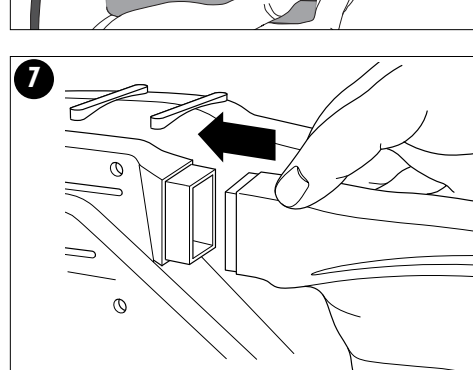
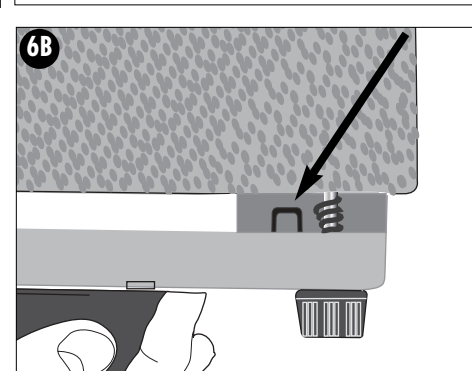
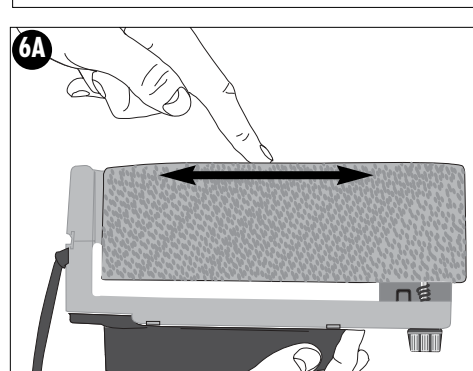
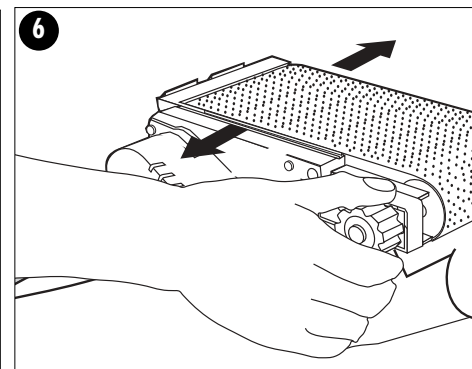
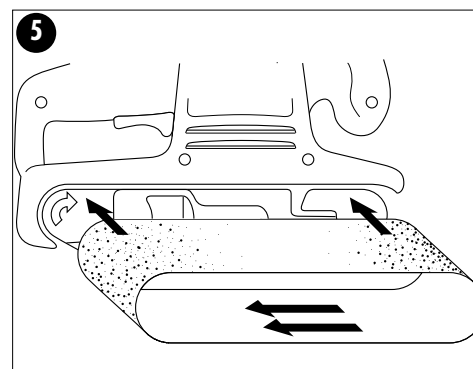
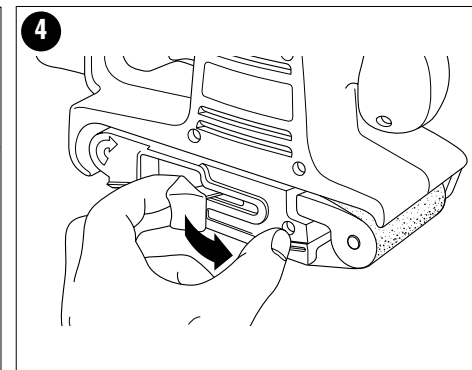
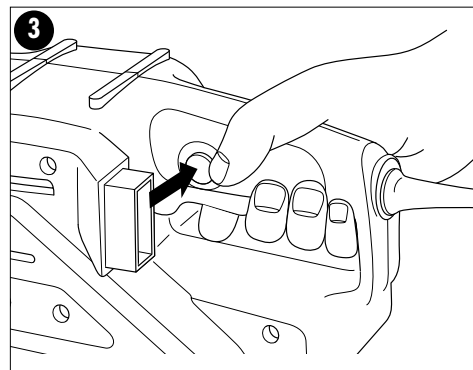
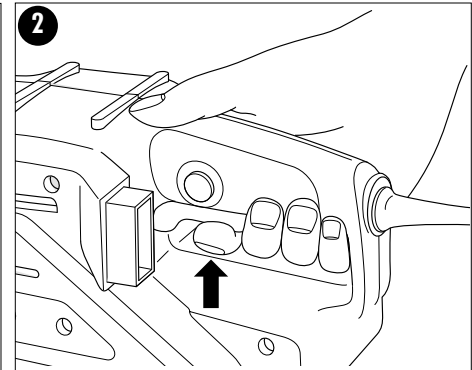
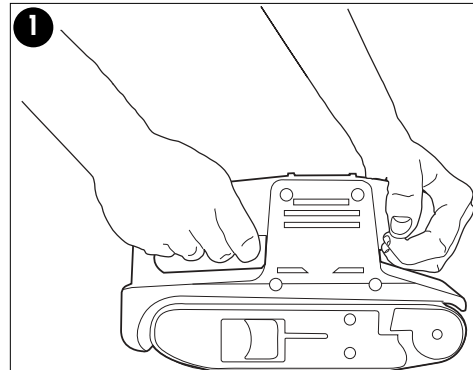
- **Avoid prolonged contact with dust from power sanding, sawing, grinding, drilling, and other construction activities. Wear protective clothing and wash exposed areas with soap and water.** Allowing dust to get into your mouth, eyes, or lay on the skin may promote absorption of harmful chemicals.

WARNING: Use of this tool can generate and/or disburse dust, which may cause serious and permanent respiratory or other injury. Always use NIOSH/OSHA approved respiratory protection appropriate for the dust exposure. Direct particles away from face and body.

CAUTION: Wear appropriate hearing protection during use. Under some conditions and duration of use, noise from this product may contribute to hearing loss.

The label on your tool may include the following symbols.

V	volts	A	amperes
Hz	hertz	W	watts
min	minutes	~	alternating current
====	direct current	n _o	no load speed
☐	Class II Construction	⊕	earthing terminal
⚠	safety alert symbol	.../min	revolutions or reciprocations per minute



Motor

Be sure your power supply agrees with nameplate marking. 120 Volts AC only means your tool will operate on standard 60 Hz household power. Do not operate AC tools on DC. A rating of 120 volts AC/DC means that your tool will operate on standard 60 Hz AC or DC power. This information is printed on the nameplate. Lower voltage will cause loss of power and can result in over-heating. All Black & Decker tools are factory-tested; if this tool does not operate, check the power supply.

Use of Extension Cords

Make sure the extension cord is in good condition before using. Always use the proper size extension cords with the tool – that is, proper wire size for various lengths of cord and heavy enough to carry the current the tool will draw. Use of an undersized cord will cause a drop in line voltage resulting in loss of power and overheating. For proper size cords see chart below.

Volts	Minimum Gage for Cord Sets			
	Total Length of Cord in Feet			
120V	0-25	26-50	51-100	101-150
240V	0-50	51-100	101-200	201-300
Ampere Rating				
More Than	Not more Than	American Wire Gage		
0	- 6	18	16	16 14
6	- 10	18	16	14 12
10	- 12	16	16	14 12
12	- 16	14	12	Not Recommended

Operating Your Belt Sander

Always hold belt sander firmly with both hands while sanding as shown in Figure 1.

Switch

To start your belt sander, depress the on/off switch as shown in Figure 2. To stop your belt sander release the on/off switch. For continuous operation, depress the on/off switch then depress the lock-on button (Figure 3) and release the on/off switch. To stop your belt sander, depress the on/off switch to release the lock-on button. Release the on/off switch.

Changing The Sanding Belt

BEFORE INSTALLING A BELT, UNPLUG THE BELT SANDER.

Pull the lever shown in Figure 4 to release the tension on the sanding belt. Pull the sanding belt from the two rollers. Put the new sanding belt in position on the front and rear rollers (Figure 5). Ensure that the arrows on the sanding belt and on your belt sander are pointing in the same direction. Push the lever to the rear to tension the sanding belt.

Adjusting The Sanding Belt Tracking

Turn the machine upside down (Figure 6), hold it firmly with one hand, start motor and release switch immediately after observing tracking of sanding belt. If abrasive belt runs outward, turn tracking adjustment knob clockwise and counterclockwise if belt runs inward.

Adjust the belt until the outer edge of the belt is even with the outer edge of the sanding plate as shown in figure 6A. Also check that the belt doesn't rub against the belt guide strip shown in figure 6B.

Belt life will be greatly increased by keeping the tracking adjustment set properly.

Dust Collection

BEFORE INSTALLING THE DUSTBAG, UNPLUG THE BELT SANDER.

When using your belt sander, dust and grit are produced. It is important to use a dustbag. Connect the dustbag by locating the nozzle of the bag onto the dust collection port of the belt sander as shown in Figure 7 and firmly pushing on using the wire frame of the dust collection bag. To remove the bag, unplug the belt sander and pull the the plastic nozzle from the dust collection port.

⚠ WARNING: Collected sanding dust from sanding surface coatings (polyurethane, linseed oil, etc.) can self-ignite in sander dust bag or elsewhere and cause fire. To reduce risk, empty bag frequently and strictly follow sander manual and coating manufacturer's instructions.

⚠ CAUTION: When working on metal surfaces, do not use the dustbag or a vacuum cleaner because sparks are generated. Wear safety glasses and a dustmask. Due to the danger of fire, do not use your belt sander to sand magnesium surfaces. Do not use for wet sanding.

Clamping the Sander to a Work Surface

The sander can be attached to a workbench or other flat surface for hands free sanding as shown in Figure 8.

⚠ CAUTION: When using inversion clamps make sure sander is securely clamped to work surface each time it is used.

⚠ CAUTION: Use care when touching the workpiece to the belt, be ready to resist dragging force transferred from the belt to the workpiece.

Sanding Lead Base Paint

Sanding of lead based paint is NOT RECOMMENDED due to the difficulty of controlling the contaminated dust. The greatest danger of lead poisoning is to children and pregnant women.

Since it is difficult to identify whether or not a paint contains lead without a chemical analysis, we recommend the following precautions when sanding any paint:

Personal Safety

- No children or pregnant women should enter the work area where the paint sanding is being done until all clean up is completed.
- A dust mask or respirator should be worn by all persons entering the work area. The filter should be replaced daily or whenever the wearer has difficulty breathing.
- NOTE:** Only those dust masks suitable for working with lead paint dust and fumes should be used. Ordinary painting masks do not offer this protection. See your local hardware dealer for the proper (NIOSH approved) mask.
- NO EATING, DRINKING or SMOKING should be done in the work area to prevent ingesting contaminated paint particles. Workers should wash and clean up BEFORE eating, drinking or smoking. Articles of food, drink, or smoking should not be left in the work area where dust would settle on them.

Environmental Safety

- Paint should be removed in such a manner as to minimize the amount of dust generated.
- Areas where paint removal is occurring should be sealed with plastic sheeting of 4 mils thickness.
- Sanding should be done in a manner to reduce tracking of paint dust outside the work area.

Cleaning And Disposal

- All surfaces in the work area should be vacuumed and thoroughly cleaned daily for the duration of the sanding project. Vacuum filter bags should be changed frequently.
- Plastic drop cloths should be gathered up and disposed of along with any dust chips or other removal debris. They should be placed in sealed refuse receptacles and disposed of through regular trash pick-up procedures. During clean up, children and pregnant women should be kept away from the immediate work area.
- All toys, washable furniture and utensils used by children should be washed thoroughly before being used again.

Handy Hints

- Always start your belt sander before it is in contact with the workpiece and do not switch it off until after it has been lifted from the workpiece.
- Always hold your belt sander with two hands.
- Where possible, clamp the workpiece to a work bench or similar sturdy surface.
- Use the correct grit sanding belt for your application. The following is a suggested list of belt grits to use with different materials.

MATERIAL	BELT GRIT
Solid Wood	80
Veneer	150
Chipboard	60/80
Plastics	100
Steel	80 (remove dust bag)
Paint Removal	40/60
Balsa Wood	100
Acrylic	100

Tool Care And Maintenance

Never apply excessive force when you use your belt sander. Too much force can result in an overload and cause damage to the motor or the workpiece. If your belt sander becomes too hot, operate it without load for 2 minutes. Always keep the air cooling vents clear. To clean your belt sander, proceed as follows:

BEFORE CLEANING, UNPLUG THE BELT SANDER.

- Use a clean dry paint brush to clear vents and ducts.
 - Clean the housings using a clean damp cloth (do not use solvents, gas or turpentine.)
- IMPORTANT:** To assure product SAFETY and RELIABILITY, repairs, maintenance and adjustment should be performed by authorized service centers or other qualified service personnel, always using identical replacement parts.

Accessories

Use only 3" x 21" (76 x 533mm) sanding belts. Recommended accessories for use with your tool are available at extra cost from your local dealer or authorized service center. If you need assistance in locating any accessory for your tool, please call **1-800-54-HOW-TO (544-6986)**.

⚠ CAUTION: The use of any other accessory not recommended for use with this tool could be hazardous.

Service Information

Black & Decker offers a full network of company-owned and authorized service locations throughout North America. All Black & Decker Service Centers are staffed with trained personnel to provide customers with efficient and reliable power tool service.

Whether you need technical advice, repair, or genuine factory replacement parts, contact the Black & Decker location nearest you. To find your local service location, refer to the yellow pages directory under "Tools—Electric" or call: **1-800-54-HOW-TO (544-6986)**.

Full Two-Year Home Use Warranty

Black & Decker (U.S.) Inc. warrants this product for two years against any defects in material or workmanship. The defective product will be replaced or repaired at no charge in either of two ways.

The first, which will result in exchanges only, is to return the product to the retailer from whom it was purchased (provided that the store is a participating retailer). Returns should be made within the time period of the retailer's policy for exchanges (usually 30 to 90 days after the sale). Proof of purchase may be required. Please check with the retailer for their specific return policy regarding returns that are beyond the time set for exchanges.

The second option is to take or send the product (prepaid) to a Black & Decker owned or authorized Service Center for repair or replacement at our option. Proof of purchase may be required. Black & Decker owned and authorized Service Centers are listed under "Tools-Electric" in the yellow pages of the phone directory.

This warranty does not apply to accessories. This warranty gives you specific legal rights and you may have other rights which vary from state to state. Should you have any questions, contact the manager of your nearest Black & Decker Service Center. This product is not intended for commercial use.

Black & Decker (U.S.) Inc.,
701 E. Joppa Rd.
Towson, MD 21286 U.S.A.



See 'Tools-Electric'
- Yellow Pages -
for Service & Sales



AVANT DE RETOURNER LE PRODUIT, PEU IMPORTE
LA RAISON, PRIÈRE DE COMPOSER
1 800 544-6986

RENSEIGNEMENTS IMPORTANTS

- Lorsqu'on utilise des brides d'inversion, s'assurer que la ponceuse est solidement fixée à la surface de travail.
- Toujours soulever la ponceuse de la surface à poncer avant de la mettre en marche et de l'arrêter.
- Toujours tenir la ponceuse avec les deux mains.

⚠ MESURES DE SÉCURITÉ

⚠ AVERTISSEMENT : Lire et comprendre toutes les directives. Le non-respect de toutes les directives suivantes présente des risques de secousses électriques, d'incendie ou de blessures graves.

CONSERVER CES MESURES.

ZONE DE TRAVAIL

- S'assurer que la zone de travail est propre et bien éclairée.** Des établis encombrés et des endroits sombres présentent des risques d'accidents.
- Ne pas utiliser des outils électriques en présence de vapeurs explosives (comme celles dégagées par des liquides, des gaz ou des poussières inflammables).** Les étincelles générées par le moteur des outils électriques peuvent enflammer les poussières ou les vapeurs.
- Éloigner les curieux, les enfants et les visiteurs de la zone de travail lorsqu'on utilise un outil électrique.** Une distraction peut entraîner la perte de maîtrise de l'outil.

MESURES DE SÉCURITÉ RELATIVES À L'ÉLECTRICITÉ

- Les outils à double isolation comportent une fiche polarisée (une lame plus large que l'autre). La fiche n'entre que d'une façon dans une prise polarisée. Lorsque la fiche n'entre pas à fond dans la prise, essayer de nouveau après avoir inversé les broches de la fiche. Si la fiche n'entre toujours pas dans la prise, communiquer avec un électricien certifié afin de faire installer une prise polarisée. Ne modifier en aucune façon la fiche.** La double isolation élimine le besoin d'un cordon trifilaire mis à la terre et d'un système d'alimentation mis à la terre.
- Éviter de toucher à des surfaces mises à la terre comme des tuyaux, des radiateurs, des cuisinières et des réfrigérateurs.** Les risques de secousses électriques sont plus élevés si le corps de l'utilisateur est mis à la terre.
- Protéger les outils électriques de la pluie ou des conditions mouillées.** Une infiltration d'eau dans l'outil augmente les risques de secousses électriques.
- Manipuler le cordon avec soin. Ne jamais se servir du cordon afin de transporter l'outil ni tirer sur le cordon pour débrancher l'outil. Éloigner le cordon des sources de chaleur, des flaques d'huile, des arêtes tranchantes et des pièces mobiles. Remplacer immédiatement les cordons endommagés.** Les cordons endommagés augmentent les risques de secousses électriques.
- Lorsqu'on utilise un outil électrique à l'extérieur, se servir d'un cordon de rallonge prévu pour l'extérieur, portant la mention "W-A" ou "W".** Ces cordons sont conçus pour servir à l'extérieur et minimisent les risques de secousses électriques.

SÉCURITÉ PERSONNELLE

- Demeurer vigilant, prendre soin et faire preuve de jugement lorsqu'on utilise un outil électrique. Ne pas s'en servir lorsqu'on est fatigué ou affaibli par des drogues, de l'alcool ou des médicaments.** De graves blessures peuvent résulter d'un moment d'inattention lors de l'utilisation d'un outil électrique.
- Porter des vêtements appropriés. Éviter de porter des vêtements amples ou des bijoux. Recouvrir la chevelure si elle est longue. Éloigner les cheveux, les vêtements et les gants des pièces en mouvement qui peuvent les happer.**
- Éviter les démarrages accidentels. S'assurer que l'interrupteur est en position hors tension avant de brancher l'outil.** Afin d'éviter les risques de blessures, ne pas transporter l'outil avec le doigt sur l'interrupteur ni brancher un outil dont l'interrupteur est en position sous tension.
- Enlever les clés de réglage avant de mettre l'outil sous tension.** Une clé qui est laissée sur une pièce rotative de l'outil présente des risques de blessures.
- Ne pas dépasser sa portée. Garder son équilibre en tout temps.** On s'assure d'une meilleure maîtrise de l'outil dans des situations imprévues grâce à une position stable et un bon équilibre.
- Porter de l'équipement de sécurité. Toujours porter des lunettes de sécurité.** Dans certaines conditions, il faut porter des masques respiratoires, des chaussures antidérapantes, un casque de sécurité ou des protège-tympons.

UTILISATION ET ENTRETIEN DE L'OUTIL

- Utiliser des pinces de serrage ou de tout autre moyen pratique afin de fixer et de soutenir la pièce à ouvrir sur une plate-forme stable.** La pièce est instable lorsqu'elle est retenue par la main ou le corps de l'utilisateur. Cela présente des risques de perte de maîtrise de l'outil.
- Ne pas forcer l'outil. Utiliser l'outil approprié à la tâche.** L'outil approprié fonctionne mieux et sûrement lorsqu'on s'en sert à son rendement nominal.
- Ne pas se servir de l'outil lorsque l'interrupteur est défectueux.** Le cas échéant, l'outil est dangereux et il faut le réparer.
- Débrancher l'outil de la source d'alimentation avant de le régler, d'en remplacer les accessoires ou de le ranger.** On minimise de la sorte le risque de démarrage accidentel de l'outil.
- Ranger l'outil hors de portée des enfants et de toute autre personne qui n'en connaît pas le fonctionnement.** L'outil est dangereux entre les mains de ces personnes.
- Prendre soin des outils. S'assurer que les outils de coupe sont tranchants et propres.** Des outils bien entretenus à arêtes tranchantes ont moins tendance à se coincer et ils se maîtrisent mieux.
- Vérifier l'alignement et les attaches des pièces mobiles, le degré d'usure des pièces ainsi que tout autre facteur susceptible de nuire au bon fonctionnement de l'outil. Faire réparer un outil endommagé avant de s'en servir.** Des outils mal entretenus sont la cause de nombreux accidents.
- Utiliser seulement les accessoires recommandés par le fabricant.** Des accessoires qui conviennent à un outil peuvent présenter des risques avec un autre outil.

ENTRETIEN

- Confier l'entretien de l'outil seulement à du personnel qualifié.** Le non-respect de la présente directive présente des risques de blessures.
- Lors de l'entretien de l'outil, utiliser seulement des pièces de rechange identiques. Respecter les consignes relatives à l'entretien du présent guide d'utilisation.** Il y a risque de secousses électriques ou de blessures lorsqu'on utilise des pièces non autorisées ou lorsqu'on ne respecte pas les consignes relatives à l'entretien.

MESURES DE SÉCURITÉ ADDITIONNELLES

- Saisir les surfaces isolées de l'outil lorsqu'on s'en sert là où il pourrait y avoir des fils sous tension et lorsqu'il pourrait entrer en contact avec son propre fil.** En cas de contact avec un fil sous tension, les composants métalliques à découvert de l'outil deviendraient sous tension et l'utilisateur subirait des secousses électriques.
 - AVERTISSEMENT :** Certains outils, tels que les sableuses électriques, les scies, les meules, les perceuses ou certains autres outils de construction, peuvent soulever de la poussière contenant des produits chimiques susceptibles d'entraîner le cancer, des malformations congénitales ou pouvant être nocifs pour le système reproductif. Parmi ces produits chimiques, on retrouve :
 - le plomb dans les peintures à base de plomb;
 - la silice cristalline dans les briques et le ciment et autres produits de maçonnerie;
 - l'arsenic et le chrome dans le bois de sciage ayant subi un traitement chimique.

Le risque associé à de telles expositions peut varier selon la fréquence avec laquelle on effectue ces travaux. Pour réduire l'exposition à de tels produits, il faut travailler dans un endroit bien ventilé et utiliser l'équipement de sécurité approprié tel un masque anti-poussières spécialement conçu pour filtrer les particules microscopiques.

L'étiquette de l'outil peut comporter les symboles suivants.

V	volts	A.....	ampères
Hz	hertz	W	watts
min.....	minutes	~	courant alternatif
====	courant continu	Ⓝo.....	sous vide
	construction de classe II		borne de terre
	symbole d'avertissement	.../min	tours ou courses à la minute

MOTEUR

Un moteur Black & Decker entraîne l'outil. Veiller à ce que la tension d'alimentation soit conforme aux exigences de la plaque signalétique de l'outil. La mention 120 volts c.a. seulement signifie que l'outil fonctionne seulement sur une alimentation domestique standard de 60 Hz. Ne pas alimenter des outils à alimentation secteur sur du courant continu. La mention 120 volts c.a. ou c.c. signifie que l'outil fonctionne sur du courant standard alternatif ou continu de 60 Hz. Une baisse de tension entraîne une perte de puissance et la surchauffe. Tous les outils Black & Decker sont essayés avant de quitter l'usine. Lorsque celui-ci refuse de fonctionner, vérifier la source de courant électrique.

CORDONS DE RALLONGE

S'assurer que le cordon de rallonge est en bon état avant de s'en servir. Toujours utiliser un cordon de calibre approprié à l'outil; à savoir, le calibre approprié selon différentes longueurs de rallonge et fournissant la tension nécessaire à l'outil. L'utilisation d'un cordon de calibre inférieur entraîne une baisse de tension et la surchauffe de l'outil. Consulter le tableau plus bas pour connaître le calibre approprié des rallonges.

Calibre minimal des cordons de rallonge					
Tension	Longueur totale du cordon en pieds				
120 V	De 0 à 25	De 26 à 50	De 51 à 100	De 101 à 150	
240 V	De 0 à 50	De 51 à 100	De 101 à 200	De 201 à 300	
Intensité (A)	Calibre moyen de fil (AWG)				
	Au moins	Au plus			
0	-	6	18	16	14
6	-	10	18	16	12
10	-	12	16	16	12
12	-	16	14	12	Non recommandé

FONCTIONNEMENT DE LA PONCEUSE À COURROIE

Toujours tenir fermement la ponceuse avec les deux mains, tel qu'illustré à la figure 1.

Interrupteur

Pour mettre la ponceuse en marche, enfoncer l'interrupteur de marche-arrêt, tel qu'illustré à la figure 2; relâcher l'interrupteur pour l'arrêter. Pour un fonctionnement continu, appuyer sur l'interrupteur, puis enfoncer le bouton de verrouillage en position de marche (figure 3) et relâcher l'interrupteur. Pour arrêter la ponceuse, enfoncer l'interrupteur de marche-arrêt de manière à dégager le bouton de verrouillage en position de marche, et relâcher l'interrupteur.

REMPLACEMENT DE LA COURROIE

DÉBRANCHER LA PONCEUSE AVANT D'INSTALLER LA COURROIE.

Tirer sur le levier illustré à la figure 4 pour détendre la courroie ponceuse et la dégager des deux rouleaux. Placer la courroie neuve sur les rouleaux avant et arrière (figure 5) en s'assurant que la flèche de la courroie et celle de la ponceuse pointent dans la même direction. Pousser le levier vers l'arrière pour tendre la courroie.

RÈGLAGE DE L'ALIGNEMENT DE LA COURROIE PORTER DES LUNETTES DE SÉCURITÉ

Tourner l'outil à l'envers (figure 6) et, en le tenant fermement d'une main, démarrer le moteur, puis relâcher immédiatement l'interrupteur après avoir vérifié l'alignement de la courroie. Le cas échéant, tourner le bouton de réglage vers la droite si la courroie semble tourner vers l'extérieur, et vers la gauche si elle semble se diriger vers l'intérieur.

Régler la courroie jusqu'à ce que son bord extérieur soit aligné avec le bord extérieur de la plaque de ponçage, tel qu'illustré à la figure 6A. S'assurer également que la courroie ne frotte pas contre le guide, tel qu'illustré à la figure 6B.

On peut augmenter considérablement la durée de vie de la courroie en s'assurant de toujours régler le dispositif d'alignement correctement.

DÉPOUSSIÉRAGE

DÉBRANCHER LA PONCEUSE AVANT D'INSTALLER LE SAC À POUSSIÈRES.

La ponceuse produit de la poussière et des particules abrasives durant son fonctionnement; il est donc important d'y installer un sac à poussières.

Pour ce faire, raccorder l'embout du sac à poussières à l'orifice d'aspiration de la ponceuse (figure 7) en poussant fermement sur les renforts métalliques. Pour retirer le sac, débrancher la ponceuse et tirer l'embout hors de l'orifice d'aspiration.

AVERTISSEMENT : Vider fréquemment le sac à poussière, surtout lorsqu'on ponce une surface enduite de résine synthétique, telle que le polyuréthane, le vernis, le vernis à la gomme laque, etc. La poussière qui s'accumule durant le ponçage pourrait s'enflammer et causer un incendie.

AVERTISSEMENT : MISE EN GARDE : lorsqu'on travaille une surface métallique, on ne doit utiliser ni sac à poussières ni aspirateur, puisque ce type de ponçage engendre des étincelles. On doit porter des lunettes de sécurité et un masque anti-poussières. Afin d'éviter les risques d'incendie, on doit éviter de poncer les surfaces de magnésium. Ne pas utiliser l'outil pour le ponçage à l'eau.

Fixation de la ponceuse à une surface de travail

On peut fixer la ponceuse à un établi ou à toute autre surface plane afin de garder les mains libres pour poncer, tel qu'illustré à la figure 8.

AVERTISSEMENT : MISE EN GARDE:lorsqu'on utilise des brides d'inversion, s'assurer que la ponceuse est solidement fixée à la surface de travail.

AVERTISSEMENT : MISE EN GARDE: il faut prendre toutes les précautions requises lorsque la pièce touche la courroie pour pouvoir résister la force de traînée qui est transférée de la courroie à la pièce.

PONÇAGE DE PEINTURE À BASE DE PLOMB

Le ponçage de peintures à base de plomb n'est PAS RECOMMANDÉ puisqu'il est trop difficile de maîtriser la poussière contaminée. Les enfants et les femmes enceintes courent le plus grand risque d'intoxication par le plomb. Puisqu'il est difficile de savoir, sans effectuer une analyse chimique, si une peinture contient du plomb, on recommande de suivre les mesures de précaution décrites ci-après.

SÉCURITÉ PERSONNELLE

- S'assurer que les enfants et les femmes enceintes n'entrent pas dans la zone de travail avant qu'elle n'ait été nettoyée à fond.
- Toute personne qui entre dans la zone de travail doit porter un masque anti-poussières ou un appareil respiratoire; le filtre doit être remplacé chaque jour ou lorsque la respiration devient difficile.

REMARQUE : seuls les masques anti-poussières approuvés pour les poussières et les vapeurs de peinture au plomb doivent être utilisés, car les masques ordinaires n'offrent pas ce type de protection. Consulter le quincaillier local pour obtenir un masque approuvé par le NIOSH.

- Il est interdit de MANGER, de BOIRE ou de FUMER dans la zone de travail afin d'éviter d'ingérer des particules de peinture contaminées. Les travailleurs doivent se laver AVANT de manger, de boire ou de fumer et nettoyer à fond la zone de travail afin de n'y laisser aucun article sur lequel la poussière pourrait se déposer.

SÉCURITÉ ENVIRONNEMENTALE

- On doit enlever la peinture de manière à réduire au minimum la quantité de poussière générée.
- On doit sceller les zones où on enlève la peinture au moyen de grandes feuilles de plastique d'une épaisseur de 4 mils.
- On doit effectuer le ponçage de manière à éviter autant que possible de traîner de la poussière à l'extérieur de la zone de travail.

NETTOYAGE ET ÉLIMINATION

- Chaque jour, on doit passer l'aspirateur sur toutes les surfaces situées à l'intérieur de la zone de travail et les nettoyer à fond et ce, pendant toute la durée du projet de ponçage; les sacs filtrants doivent être remplacés fréquemment.
- On doit ramasser les grandes feuilles de plastique, les particules de poussière ou tout autre type de débris et les mettre au rebut en les déposant dans des récipients scellés; les éliminer suivant les procédures habituelles. Tenir les enfants et les femmes enceintes à l'écart de la zone de travail lorsqu'on effectue le nettoyage.
- Laver à fond les jouets, les meubles et les ustensiles contaminés avant de permettre aux enfants de les utiliser à nouveau.

CONSEILS PRATIQUES

- Toujours soulever la ponceuse de la surface à poncer avant de la mettre en marche et de l'arrêter.
- Toujours tenir la ponceuse avec les deux mains.
- Dans la mesure du possible, fixer solidement l'ouvrage à un établi ou sur une surface aussi solide.
- Choisir une courroie dont le grain convient aux travaux à effectuer. La liste suivante suggère quels numéros de grains utiliser selon le matériau à poncer :

MATÉRIAU	NO DE GRAIN
Bois massif	80
Placage	150
Aggloméré	60 / 80
Plastique	100
Acier	80 (retirer le sac à poussières)
Décapage de peinture	40 / 60
Balsa	100
Acrylique	100

MAINTENANCE DE L'OUTIL

On ne doit jamais appliquer trop de force lorsqu'on utilise la ponceuse à courroie, car cela pourrait entraîner une surcharge et endommager le moteur ou l'ouvrage. Si la ponceuse devient trop chaude, la faire fonctionner à vide pendant deux minutes. Toujours garder les événements de refroidissement dégagés. Nettoyer la ponceuse comme suit :

DÉBRANCHER LA PONCEUSE À COURROIE AVANT DE PROCÉDER AU NETTOYAGE.

- Dégager les événements et les conduits au moyen d'un pinceau sec et propre.
- Nettoyer l'extérieur au moyen d'un linge humide et propre (ne pas utiliser de solvant, d'essence ou de térébenthine).

IMPORTANT : pour assurer la SÉCURITÉ et la FIABILITÉ de cet outil, toutes les opérations de réparation, d'entretien et de réglage doivent être effectuées par un centre de service autorisé ou qualifié; seules des pièces de rechange identiques doivent être utilisées.

ACCESSOIRES

N'utiliser que des courroies de 76 x 533 mm (3 x 21 po). Les accessoires recommandés pour cet outil sont vendus séparément chez les dépositaires locaux ou les centres de service autorisés. Pour obtenir plus d'information sur les accessoires, composer le **1-800-544-6986**.

AVERTISSEMENT : l'usage d'un accessoire non recommandé peut présenter un danger.

RENSEIGNEMENTS RELATIFS AU SERVICE

Black & Decker exploite un réseau complet de centres de service et d'ateliers d'entretien autorisés par toute l'Amérique du Nord. Le personnel de tous les centres de service Black & Decker a reçu la formation voulue pour assurer l'entretien efficace et fiable des outils électriques.

Pour obtenir des renseignements d'ordre technique, des conseils relatifs aux réparations ou des pièces de rechange d'origine, communiquer avec le centre de service Black & Decker de la région. On peut trouver l'adresse du centre de service de la région dans l'annuaire des Pages Jaunes à la rubrique «Outils électriques» ou en composant le numéro suivant : **1 (800) 544-6986**.

GARANTIE COMPLÈTE DE DEUX ANS POUR UTILISATION DOMESTIQUE

Black & Decker garantit le produit pour une période de deux ans contre les vices de matière ou de fabrication. Le produit défectueux sera réparé ou remplacé sans frais conformément à l'une des conditions suivantes.

Pour échanger l'outil, il suffit de le retourner au détaillant (si le détaillant participe au programme d'échange rapide Black & Decker). Le retour doit être effectué dans les délais impartis par la politique de retour du détaillant (habituellement entre 30 et 90 jours suivant la date d'achat). Le détaillant peut exiger une preuve d'achat. Prière de vérifier la politique de retour du détaillant au-delà des délais impartis.

On peut également retourner l'outil (port payé) à un centre de service Black & Decker ou à tout autre atelier d'entretien accrédité pour y être remplacé ou réparé, à notre gré. On peut exiger une preuve d'achat. Les adresses des centres de service Black & Decker se trouvent à la rubrique «Outils électriques» des Pages Jaunes.

La présente garantie ne vaut pas pour les accessoires. Les modalités de la présente garantie donnent des droits légaux spécifiques. L'utilisateur peut également se prévaloir d'autres droits selon l'état ou la province qu'il habite. Pour obtenir de plus amples renseignements, communiquer avec le directeur du centre de service Black & Decker de la région. Le produit n'est pas conçu pour un usage commercial.



MANUAL DE INSTRUCCIONES

Número de catálogo BR400

ANTES DE DEVOLVER ESTE PRODUCTO POR
CUALQUIER RAZÓN POR FAVOR LLAME

(55)5326-7100

CONSERVE ESTE MANUAL PARA REFERENCIAS FUTURAS

- Cuando use sujetadores de inversión, asegúrese de que la lijadora esté firmemente afianzada a la superficie de trabajo.

- Ponga siempre en marcha su lijadora de correa antes de que la misma haga contacto con la pieza a trabajar y no apague la lijadora antes de haberla removido de la pieza.

- Siempre sostenga su lijadora con dos manos.

REGLAS GENERALES DE SEGURIDAD

- ⚠ **ADVERTENCIA:** Lea y comprenda todas las instrucciones. No seguir todas las instrucciones enlistadas a continuación puede resultar en choque eléctrico, incendio y(o) lesiones personales de gravedad.

CONSERVE ESTAS INSTRUCCIONES

AREA DE TRABAJO

- **Conserve su área de trabajo limpia y bien iluminada.** Las bancas amontonadas y las zonas oscuras propician los accidentes.
- **No opere herramientas eléctricas en atmósferas explosivas, como en presencia de líquidos, gases o polvos inflamables.** Las herramientas eléctricas producen chispas que pueden originar la ignición de los polvos o los vapores.
- **Conserve a observadores, niños y visitantes alejados mientras opera una herramienta eléctrica.** Las distracciones pueden ocasionar que pierda el control.

SEGURIDAD ELECTRICA

- **Las herramientas con doble aislamiento están equipadas con una clavija polarizada (con una pata más ancha que la otra.) Esta clavija se acoplará únicamente en una toma de corriente polarizada de una manera. Si la clavija no se acopla al contacto, inviértala. Si aún así no se ajusta, comuníquese con un electricista calificado para que le instalen una toma de corriente polarizada apropiada.** El doble aislamiento elimina la necesidad de cables con tres hilos y sistemas de alimentación con conexión a tierra.
- **Evite el contacto corporal con superficies aterrizadas tales como tuberías, radiadores, hornos y refrigeradores.** Hay un gran riesgo de choque eléctrico si su cuerpo hace tierra.
- **No exponga las herramientas eléctricas a la lluvia o a condiciones de mucha humedad.** El agua que se introduce en las herramientas aumenta el riesgo de descargas eléctricas.
- **No maltrate el cable. Nunca tome el cable para transportar una herramienta ni para desconectarla de la toma de corriente. Consérvelo alejado de calor aceite, bordes afilados o piezas móviles. Cambie inmediatamente los cables dañados.** Los cables dañados aumentan el riesgo de choque eléctrico.
- **Cuando opere una herramienta eléctrica a la intemperie, utilice una extensión marcada "W-A" o "W".** Estas extensiones están clasificadas para uso a la intemperie y para reducir el riesgo de choques eléctricos.

SEGURIDAD PERSONAL

- **Esté alerta, concéntrese en lo que está haciendo. Recorra al sentido común cuando opere una herramienta eléctrica. No opere ninguna herramienta si se encuentra fatigado o bajo la influencia de drogas, alcohol o medicamentos.** Un momento de desatención mientras se operan herramientas eléctricas puede ocasionar lesiones graves.
- **Vístase de manera adecuada. No tenga puestas ropas o artículos de joyería flojos. Cubra su cabello si lo tiene largo. Conserve su cabello, sus ropas y guantes alejados de las piezas móviles.** Las piezas de vestir flojas, las joyas y el cabello largo pueden resultar atrapados por las piezas móviles.
- **Evite el encendido accidental. Asegúrese que el interruptor esté en posición de apagado antes de conectar.** Sostener una herramienta con el dedo en el interruptor o conectarla sin fijarse si el interruptor está en posición de encendido propicia los accidentes.
- **Retire las llaves de ajuste antes de encender la herramienta.** Una llave que se deja en una pieza giratoria puede ocasionar lesiones personales.
- **No se sobreextienda. Conserve siempre los pies bien apoyados, al igual que el equilibrio.** La posición correcta de los pies y el equilibrio permiten controlar mejor la herramienta en situaciones inesperadas.
- **Utilice equipo de seguridad. Siempre utilice protección en los ojos.** Se deben utilizar mascarillas contra polvo, zapatos antiderrapantes, casco o protectores para los oídos para tener las condiciones apropiadas.

USO Y CUIDADOS DE LA HERRAMIENTA

- **Utilice prensas u otros medios prácticos para asegurar y apoyar la pieza de trabajo en una plataforma estable.** Sujetar las piezas con la mano o contra su cuerpo es inestable y puede originar la pérdida de control.
- **No fuerce la herramienta. utilice la herramienta apropiada para su aplicación.** La herramienta apropiada hará el trabajo mejor y de manera más segura bajo las especificaciones para las que se diseñó.
- **No utilice la herramienta si el interruptor no enciende y apaga.** Cualquier herramienta que no pueda controlarse por medio del interruptores peligrosa y debe reemplazarse.
- **Desconecte la clavija de la toma de corriente antes de hacer cualquier ajuste, cambio de accesorios o de guardar la herramienta.** Tales medidas de seguridad preventivas reducirán el riesgo de que la herramienta se encienda accidentalmente.
- **Guarde las herramientas fuera del alcance de los niños y de otras personas no capacitadas.** Las herramientas son peligrosas en manos de personas no capacitadas.
- **Cuide sus herramientas. Conserve las herramientas de corte afiladas y limpias.** Las herramientas que reciben un mantenimiento adecuado, con piezas de corte afiladas, difícilmente se atascan y son más fáciles de controlar.
- **Verifique la alineación de las piezas móviles, busque fracturas en las piezas y cualesquiera otras condiciones que puedan afectar la operación de las herramientas. Si está dañada, lleve su herramienta a servicio antes de usarla de nuevo.** Muchos accidentes se deben a herramientas con mantenimiento pobre.
- **Solamente use accesorios que el fabricante recomiende para su modelo de herramienta.** Los accesorios que estén diseñados para una herramienta, pueden volverse peligrosos cuando se emplean con otra.

SERVICIO

- **El servicio a las herramientas lo debe efectuar únicamente personal calificado.** El servicio o mantenimiento realizado por personal no calificado puede originar riesgos de lesiones.
- **Cuando efectúe servicio a una herramienta, utilice únicamente refacciones idénticas. Siga las instrucciones de la sección de Mantenimiento de este manual.** El empleo de piezas no autorizadas o no seguir las instrucciones de mantenimiento puede originar riegos de choque eléctrico o lesiones.

REGLAS DE SEGURIDAD ESPECIFICAS

- Sujete la herramienta por las superficies aislantes cuando realice una operación en la que la herramienta de corte pueda hacer contacto con cableado oculto o con su propio cable. El contacto con un cable "vivo" hará que las partes metálicas expuestas de la herramienta se vuelvan vivas y provoquen una descarga al operador.

- ⚠ **PRECAUCION:** Parte del polvo creado al lijar, aserruchar, moler o perforar con máquina, así como al realizar otras actividades de la construcción, contiene sustancias químicas que se sabe producen cáncer, defectos congénitos u otras afecciones reproductivas. Algunos ejemplos de esas sustancias químicas son:

- plomo de pinturas a base de plomo,
- sílice cristalizado de ladrillos y cemento y otros productos de albañilería, y
- arsénico y cromo de la madera químicamente tratada.

El riesgo al contacto con estas sustancias varía, según la frecuencia en que se haga este tipo de trabajo. Para reducir la exposición a esas sustancias químicas: trabaje en un área bien ventilada, y trabaje con equipos de seguridad aprobados, tales como máscaras contra el polvo especialmente diseñadas para filtrar las partículas microscópicas.

La etiqueta de su herramienta puede incluir los siguientes símbolos.

V	volts	A	amperes
Hz	hertz	W	watts
min	minutos	~	corriente alterna
====	corriente directa	n _o	velocidad sin carga
☐	construcción clase II	Ⓜ	terminales de conexión a tierra
⚠	símbolo de alerta seguridad/min	revoluciones o reciprocaciones por minuto

MOTOR

Su herramienta Black & Decker funciona con un motor Black & Decker integrado. Asegúrese que su alimentación de corriente concuerde con la señalada en la placa de identificación. 120 V~ significa que su sierra funciona con corriente doméstica estándar a 60 Hz. No utilice herramientas para corriente alterna con corriente continua. Una especificación de 120 V AC/DC significa que su herramienta funcionará con corriente alterna estándar a 60 Hz o con corriente continua. esta información está impresa en la placa de identificación. Voltajes menores causarán pérdida de potencia y pueden producir sobrecalentamiento. todas las herramientas Black & Decker se prueban en la fábrica; si esta herramienta no funciona, revise la alimentación de corriente.

USO DE CABLES DE EXTENSION

Asegúrese que el cable de extensión esté en buenas condiciones antes de usarlo. Utilice siempre extensiones con el calibre adecuado con su herramienta – esto es, el calibre apropiado para diferentes longitudes del cable, con la capacidad suficiente para soportar la corriente que su herramienta necesita. El uso de un cable con calibre insuficiente causará una caída en el voltaje de la línea resultando en pérdida de potencia y sobrecalentamiento. Consulte la tabla que sigue para conocer los calibre del cable.

CCalibre mínimo para cordones de extensión					
Volts	Longitud total del cordón en metros				
120V	0-7,6	7,6-15,2	15,2-30,4	30,4-45,7	
240V	0-15,2	15,2-30,4	30,4-60,9	60,9-91,4	
Amperje		Calibre del cordón AWG			
Más de	No más de				
0	-6	18	16	16	14
6	-10	18	16	14	12
10	-12	16	16	14	12
12	-16-	14	12	No recomendado	

PARA OPERAR LA LIJADORA DE CORREA

Sujete la lijadora con ambas manos todo el tiempo mientras esté lijando como se ilustra en la Figura 1.

Conmutador

Para poner la lijadora en marcha, oprima el conmutador arranque/parada (on/off) como se demuestra en la Figura 2. Para parar la lijadora, suelte el conmutador arranque/parada. Para una operación continua, oprima el conmutador, luego oprima el botón de enganche continuo (Figura 3) y suelte el conmutador arranque/parada. Para parar su lijadora de correa oprima el conmutador arranque/parada y suelte el botón de enganche continuo. Suelte el conmutador de arranque/parada.

PARA CAMBIAR LA CORREA LIJADORA

DESCONECTE LA LIJADORA ANTES DE INSTALAR UNA CORREA.

Hale la palanca como demuestra la Figura 4 para aflojar la tensión de la correa lijadora. Quite la correa halándola de los dos rodillos. Ponga la nueva correa lijadora en posición sobre los rodillos delantero y trasero (Figura 5). Asegure que las flechas de la correa y las de la lijadora apuntan hacia la misma dirección. Empuje la palanca hacia atrás para proveer tensión a la correa lijadora.

AJUSTE DE LA ALINEACIÓN DE LA LIJADORA DE CORREA

UTILICE PROTECTOR DE OJOS

Coloque la maquina hacia abajo (Figura 6), sujétela firmemente con una mano, prenda el motor y suelte el interruptor inmediatamente después de observar el alineamiento de la banda abrasiva. Si la banda abrasiva da vueltas hacia el exterior, dé vuelta a la perilla de ajuste del alineamiento en el sentido de las manecillas del reloj. Si la banda da vueltas hacia el interior, dé vueltas a la perilla en sentido opuesto al de las manecillas del reloj.

Ajuste la banda hasta que su borde externo se encuentre alineado con el borde externo de la placa de lijado, como lo muestra la figura 6A. Verifique también que la banda no roce contra la cinta de su guía mostrada en la figura 6B.

La duración de la banda será mayor si se mantiene debidamente el alineamiento.

RECOLECCIÓN DE POLVO

DESCONECTE LA LIJADORA ANTES DE INSTALAR LA BOLSA PARA POLVO.

Al usar su lijadora, se producen polvo y limaduras. Es importante utilizar una bolsa para polvo. Conecte la bolsa ubicando la boquilla de la bolsa sobre la apertura colectora de polvo de la lijadora como lo demuestra la Figura 7 empujándola firmemente usando el marco de alambre de la bolsa para polvo. Para quitar la bolsa, desconecte la lijadora y hale la boquilla plástica de la apertura colectora de polvo.

⚠ **ATENCIÓN: Vacíe la bolsa para polvo frecuentemente, especialmente al lijar superficies revestidas con resinas tales como poliuretano, barniz, goma laca, etc. La acumulación de estas finas partículas de polvos de lijado pueden encenderse y ocasionar fuego.**

⚠ **ATENCIÓN:** Cuando trabaja sobre superficies metálicas, no use la bolsa para polvo o una aspiradora porque se generan chispas. Use anteojos de seguridad y una máscara para el polvo. Debido al peligro de incendio, no utilice su lijadora de correa para lijar superficies de magnesio. No utilizar para el lijado húmedo.

PARA SUJETAR LA LIJADORA A LA SUPERFICIE DE TRABAJO

La lijadora se puede afinar a un banco de trabajo u otra superficie plana para lijar con las manos libres como se ilustra en la Figura 8.

⚠ **ATENCIÓN:** Al usar sujetadores de inversión asegúrese de que la lijadora esté firmemente afianzada a la superficie de trabajo.

⚠ **ATENCIÓN:** Ponga cuidado cuando la pieza a trabajar toca la correa, esté preparado para resistir la fuerza de arrastre que se transfiere de la correa a la pieza a trabajar.

LIJADO DE PINTURA A BASE DE PLOMO

NO SE RECOMIENDA lijar las pinturas a base de plomo debido a la dificultad para controlar el polvo contaminado. El mayor peligro de envenenamiento por plomo recae sobre los niños y las mujeres embarazadas.

Debido a que es difícil identificar si una pintura contiene plomo sin hacerle un análisis químico, recomendamos tomar las siguientes precauciones a la hora de lijar sobre pintura:

SEGURIDAD PERSONAL

- No dejar que niños o mujeres embarazadas entren al área de trabajo donde se está lijando pintura hasta que se haya limpiado todo por completo.

- Toda persona que entre en el área de trabajo debe portar una máscara para el polvo o respirador. El filtro debe reemplazarse a diario cada vez que el portador de la máscara tiene dificultad en respirar.

NOTA : Sólo deberán usarse las máscaras para polvo que son aptas para trabajar con polvo y vapores de pintura de plomo. Las máscaras para pintura corrientes no ofrecen esta protección. Vea a su proveedor de ferretería local para obtener la máscara adecuada (aprobada por NIOSH).

- A fin de prevenir la ingestión de partículas de pintura contaminada se debe evitar el COMER, BEBER, O FUMAR en el área de trabajo Los trabajadores deberán lavarse y limpiar el área ANTES de comer, beber o fumar. No dejar en el área de trabajo los comestibles, bebidas o artículos de fumar ya que el polvo se deposita sobre ellos.

SEGURIDAD AMBIENTAL

- Quitar la pintura de forma tal que el polvo que se genera sea el mínimo posible.
- Las áreas donde se quita la pintura deben ser selladas con láminas plásticas de 4 mm de espesor.
- El lijado debe hacerse de forma tal que la cantidad de polvo de pintura que se arrastra fuera del área de trabajo sea la más reducida posible.

LIMPIEZA Y ELIMINACIÓN

- Mientras dure el proyecto de lijado, aspirar y limpiar a fondo diariamente todas las superficies del área de trabajo. Cambiar las bolsas de filtro al vacío con frecuencia.
- Recoger y desechar los paños de plástico para herramientas junto con la remoción de polvo, astillas u otros escombros. Poner en recipientes de basura sellados y desecharse mediante el procedimiento habitual de recolección de basura. Durante la limpieza, mantener a los niños y mujeres embarazadas alejados de la zona de trabajo inmediata.
- Los juguetes, muebles lavables y utensilios utilizados por los niños deben lavarse a fondo antes de utilizarlos de nuevo.

SUGERENCIAS PRÁCTICAS

- Ponga su lijadora siempre en marcha antes de entrar en contacto con la pieza de trabajo y no la apague hasta que la haya distanciado de la pieza.
- Siempre sostenga su lijadora de correa con dos manos.
- Cuando posible, sujete la pieza a un banco de trabajo o a una superficie robusta similar.
- Use la correa lijadora con el calibre de arenilla adecuado para la aplicación. A continuación una lista sugerida del calibre de las partículas de arenilla para usar con distintos materiales.

MATERIAL	CALIBRE DE LAS PARTICULAS
Madera sólida	80
Chapa de madera	150
Cartón	60 / 80
Plástico	100
Acero	80 (quitar la bolsa para polvo)
Remoción de pintura	40 / 60
Madera Balsa	100
Acrílico	100

CUIDADO Y MANTENIMIENTO DE HERRAMIENTAS

Evite siempre usar fuerza excesiva al operar su lijadora de correa. Demasiada fuerza puede resultar en una sobrecarga y dañar el motor o la pieza de trabajo. Si su lijadora se pone demasiado caliente, opérela sin carga por 2 minutos. Mantenga siempre despejados los orificios de ventilación de enfriamiento por aire. Para limpiar su lijadora de correa, proceda como sigue:

ANTES DE LIMPIAR. DESCONECTE LA LIJADORA.

- Use una brocha de pintar limpia para despejar los orificios y ductos de ventilación.
- Limpie las envolturas protectoras con un trapo limpio y húmedo (no usar solventes, gas o trementina.)

IMPORTANTE : A fin de asegurar la SEGURIDAD y CONFIABILIDAD del producto, efectuar las reparaciones, mantenimiento y ajustes en centros de servicio autorizados u otras organizaciones de servicio competentes y usar siempre repuestos idénticos a los que se van a reemplazar.

ACCESORIOS

Use sólo correas lijadoras de 76 x 533mm (3" x 21"). Los accesorios que se recomiendan usar con su herramienta, se pueden obtener a un costo extra donde su proveedor o centro autorizado de servicio. Si usted necesita ayuda para localizar algún accesorio para su herramienta, favor llamar al **1-800-544-6986**.

⚠ ATENCIÓN: El usar esta herramienta con cualquier otro accesorio no recomendado, puede ser peligroso.

ESPECIFICACIONES

Tensión de alimentación:	120 V~
Potencia nominal:	580 W
Frecuencia de operación:	60 Hz
Consumo de corriente:	5.2A

INFORMACIÓN DE SERVICIO

Black & Decker ofrece una red completa de centros de servicio propiedad de la compañía y franquiciados a través de toda Norteamérica. Todos los centros de servicio Black & Decker cuentan con personal capacitado para proporcionar el servicio a herramientas más eficiente y confiable.

Siempre que necesite consejo técnico, reparaciones o partes de repuesto genuinas, comuníquese con el centro Black & Decker más cercano a usted.

Para encontrar su centro de servicio local, consulte la sección amarilla bajo "Herramientas eléctricas", o llame al: **(55) 5326-7100**

GARANTÍA PARA USO DOMÉSTICO POR DOS AÑOS COMPLETOS

Black & Decker (U.S.) garantiza este producto por dos años completos contra cualquier falla originada por materiales o mano de obra defectuosos. El producto defectuoso será reemplazado o reparado sin cargo alguno en cualquiera de las siguientes dos maneras:

La primera, que resulta únicamente en cambios, es regresar el producto al vendedor al que se compró (en la suposición que es un distribuidor participante). Las devoluciones deberán hacerse dentro del tiempo estipulado por la política de cambios del distribuidor (usualmente de 30 a 90 días después de la venta). Se puede requerir prueba de compra. Por favor verifique con el vendedor las políticas específicas de devolución relacionadas a las devoluciones en tiempo posterior al estipulado para cambios.

La segunda opción es llevar o enviar el producto (con porte pagado) a los centros de servicio Black & Decker propios o autorizados, para que la reparemos o reemplacemos a nuestra opción. Se puede requerir prueba de compra. Los centros de servicio Black & Decker propios y autorizados están enlistados bajo "Herramientas eléctricas" en la sección amarilla del directorio telefónico.

Esta garantía no se aplica a los accesorios. Esta garantía le otorga derechos legales específicos, y usted puede tener otros que varíen de estado a estado. Si tiene usted cualquier pregunta, comuníquese con el gerente del centro de servicio Black & Decker más cercano.

Este producto no está destinado a uso comercial.

PARA REPARACION Y SERVICIO DE SUS HERRAMIENTAS ELECTRICAS FAVOR DE DIRIGIRSE AL CENTRO DE SERVICIO MAS CERCANO

CULIACAN	Av. Nicolas Bravo #1063 Sur	(56 77) 12 42 10
GAUDALAJARA	Av. La Paz #1770	(33 38) 26 69 78
LEON	Polara #32	(47 77) 13 14 56
MEXICO	Sonora #134 Hipodromo Condesa	(55 55) 53 99 79
MERIDA	Calle 63 #459	(99 99) 23 54 90
MONTERREY	Av. Francisco I. Madero Pte. 1820-A	(81 83) 72 11 25
PUEBLA	17 Norte #2057	(22 22) 46 90 20
QUERETARO	Av. Madero 139 Pte.	(44 22) 14 60 60
SAN LOUIS POTOSI	Pedro Moreno #408 Fracc. la Victoria	(44 48) 14 25 67
TORREON	Blvd. Independencia, 96 pte.	(87 17) 16 52 65
VERACRUZ	Prolongación Diaz Miron #4280	(29 99) 21 70 18
VILLAHERMOSA	Zaragoza #105	(99 33) 12 53 17

PARA OTRAS LOCALIDADES LLAME AL: (55) 5326-7100

Para servicio y ventas consulte
"HERRAMIENTAS ELECTRICAS"
en la sección amarilla.



IMPORTADOR: BLACK & DECKER S.A. DE C.V.
BOSQUES DE CIDROS ACCESO RADIATAS NO. 42
BOSQUES DE LAS LOMAS, 05120 MEXICO, D.F.
(55) 5326-7100

Free Manuals Download Website

<http://myh66.com>

<http://usermanuals.us>

<http://www.somanuals.com>

<http://www.4manuals.cc>

<http://www.manual-lib.com>

<http://www.404manual.com>

<http://www.luxmanual.com>

<http://aubethermostatmanual.com>

Golf course search by state

<http://golfingnear.com>

Email search by domain

<http://emailbydomain.com>

Auto manuals search

<http://auto.somanuals.com>

TV manuals search

<http://tv.somanuals.com>