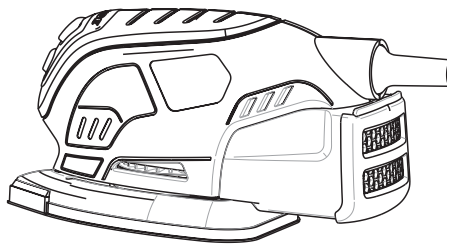




# MOUSE® DETAIL SANDER POLISHER INSTRUCTION MANUAL

Catalog Number MS800



Thank you for choosing Black & Decker!  
Go to [www.BlackandDecker.com/NewOwner](http://www.BlackandDecker.com/NewOwner)  
to register your new product.

## PLEASE READ BEFORE RETURNING THIS PRODUCT FOR ANY REASON:

If you have a question or experience a problem with your Black & Decker purchase, go to  
[HTTP://WWW.BLACKANDDECKER.COM/INSTANTANSWERS](http://www.blackanddecker.com/instantanswers)  
for instant answers 24 hours a day.

If you can't find the answer or do not have access to the internet,  
call 1-800-544-6986 from 8 a.m. to 5 p.m. EST Mon. -- Fri. to speak with an agent.  
Please have the catalog number available when you call.

### KEY INFORMATION YOU SHOULD KNOW:

- Do not push down—let the sander do the work.
- Extended drywall sanding is not recommended for this product.

## SAVE THIS INSTRUCTION MANUAL FOR FUTURE REFERENCE.

VEA EL ESPAÑOL EN LA CONTRAPORTADA.

INSTRUCTIVO DE OPERACIÓN, CENTROS DE SERVICIO Y PÓLIZA DE GARANTÍA.  
ADVERTENCIA: LÉASE ESTE INSTRUCTIVO ANTES DE USAR EL PRODUCTO.

Catalog Number MS800 FORM NO. 90532198 REV. 1 SEPT. '08  
Copyright © 2008 Black & Decker Printed in China

## General Power Tool Safety Warnings

**⚠ WARNING!** Read all safety warnings and instructions. Failure to follow the warnings and instructions may result in electric shock, fire and/or serious injury.

Save all warnings and instructions for future reference.

The term "power tool" in the warnings refers to your mains-operated (corded) power tool or battery-operated (cordless) power tool.

### 1) Work area safety

- Keep work area clean and well lit. Cluttered or dark areas invite accidents.
- Do not operate power tools in explosive atmospheres, such as in the presence of flammable liquids, gases or dust. Power tools create sparks which may ignite the dust or fumes.
- Keep children and bystanders away while operating a power tool. Distractions can cause you to lose control.

### 2) Electrical safety

- Power tool plugs must match the outlet. Never modify the plug in any way. Do not use any adapter plugs with earthed (grounded) power tools. Unmodified plugs and matching outlets will reduce risk of electric shock.
- Avoid body contact with earthed or grounded surfaces such as pipes, radiators, ranges and refrigerators. There is an increased risk of electric shock if your body is earthed or grounded.
- Do not expose power tools to rain or wet conditions. Water entering a power tool will increase the risk of electric shock.
- Do not abuse the cord. Never use the cord for carrying, pulling or unplugging the power tool. Keep cord away from heat, oil, sharp edges or moving parts. Damaged or entangled cords increase the risk of electric shock.
- When operating a power tool outdoors, use an extension cord suitable for outdoor use. Use of a cord suitable for outdoor use reduces the risk of electric shock.
- If operating a power tool in a damp location is unavoidable, use a residual current device (RCD) protected supply. Use of an RCD reduces the risk of electric shock.

### 3) Personal safety

- Stay alert, watch what you are doing and use common sense when operating a power tool. Do not use a power tool while you are tired or under the influence of drugs, alcohol or medication. A moment of inattention while operating power tools may result in serious personal injury.
- Use personal protective equipment. Always wear eye protection. Protective equipment such as dust mask, non-skid safety shoes, hard hat, or hearing protection used for appropriate conditions will reduce personal injuries.
- Prevent unintentional starting. Ensure the switch is in the off-position before connecting to power source and/or battery pack, picking up or carrying the tool. Carrying power tools with your finger on the switch or energizing power tools that have the switch on invites accidents.
- Remove any adjusting key or wrench before turning the power tool on. A wrench or a key left attached to a rotating part of the power tool may result in personal injury.
- Do not overreach. Keep proper footing and balance at all times. This enables better control of the power tool in unexpected situations.
- Dress properly. Do not wear loose clothing or jewellery. Keep your hair, clothing and gloves away from moving parts. Loose clothes, jewellery or long hair can be caught in moving parts.
- If devices are provided for the connection of dust extraction and collection facilities, ensure these are connected and properly used. Use of dust collection can reduce dust-related hazards.

### 4) Power tool use and care

- Do not force the power tool. Use the correct power tool for your application. The correct power tool will do the job better and safer at the rate for which it was designed.
- Do not use the power tool if the switch does not turn it on and off. Any power tool that cannot be controlled with the switch is dangerous and must be repaired.

- Disconnect the plug from the power source and/or the battery pack from the power tool before making any adjustments, changing accessories, or storing power tools. Such preventive safety measures reduce the risk of starting the power tool accidentally.
- Store idle power tools out of the reach of children and do not allow persons unfamiliar with the power tool or these instructions to operate the power tool. Power tools are dangerous in the hands of untrained users.
- Maintain power tools. Check for misalignment or binding of moving parts, breakage of parts and any other condition that may affect the power tool's operation. If damaged, have the power tool repaired before use. Many accidents are caused by poorly maintained power tools.
- Keep cutting tools sharp and clean. Properly maintained cutting tools with sharp cutting edges are less likely to bind and are easier to control.
- Use the power tool, accessories and tool bits etc., in accordance with these instructions, taking into account the working conditions and the work to be performed. Use of the power tool for operations different from those intended could result in a hazardous situation.

### 5) Battery tool use and care

- Recharge only with the charger specified by the manufacturer. A charger that is suitable for one type of battery pack may create a risk of fire when used with another battery pack.
- Use power tools only with specifically designated battery packs. Use of any other battery packs may create a risk of injury and fire.
- When battery pack is not in use, keep it away from other metal objects like paper clips, coins, keys, nails, screws, or other small metal objects that can make a connection from one terminal to another. Shorting the battery terminals together may cause burns or a fire.
- Under abusive conditions, liquid may be ejected from the battery, avoid contact. If contact accidentally occurs, flush with water. If liquid contacts eyes, additionally seek medical help. Liquid ejected from the battery may cause irritation or burns.

### 6) Service

- Have your power tool serviced by a qualified repair person using only identical replacement parts. This will ensure that the safety of the power tool is maintained.

## SPECIFIC SAFETY RULES

• Hold power tools by insulated gripping surfaces when performing an operation where the cutting tool may contact hidden wiring or its own cord. Contact with a "live" wire will make exposed metal parts of the tool "live" and shock the operator.

**⚠ WARNING: ALWAYS use safety glasses. Everyday eye glasses are NOT safety glasses. Also use face or dust mask if operation is dusty. ALWAYS WEAR CERTIFIED SAFETY EQUIPMENT:**

- ANSI Z87.1 eye protection (CAN/CSA Z94.3)
- ANSI S12.6 (S3.19) hearing protection
- NIOSH/OSHA/MSHA respiratory protection

- Sanding of lead-based paint is not recommended. See Sanding Lead Based Paint for additional information before sanding paint.
- Clean your tool out periodically.

## SAFETY GUIDELINES - DEFINITIONS

It is important for you to read and understand this manual. The information it contains relates to protecting YOUR SAFETY and PREVENTING PROBLEMS. The symbols below are used to help you recognize this information.

**⚠ DANGER:** Indicates an imminently hazardous situation which, if not avoided, will result in death or serious injury.

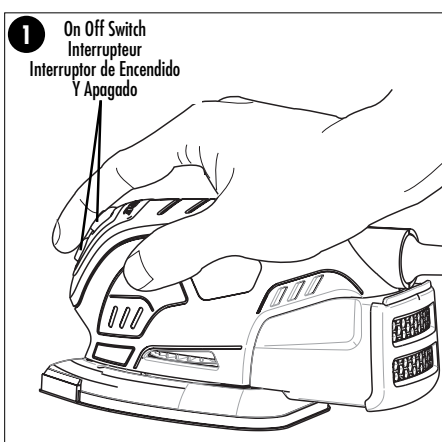
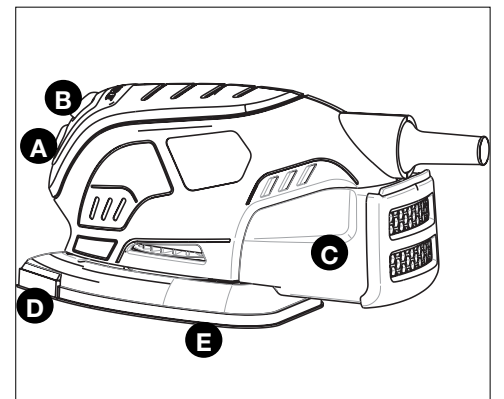
**⚠ WARNING:** Indicates a potentially hazardous situation which, if not avoided, could result in death or serious injury.

**⚠ CAUTION:** Indicates a potentially hazardous situation which, if not avoided, may result in minor or moderate injury.

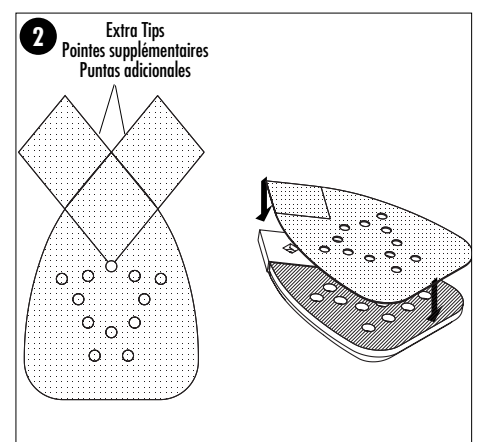
**CAUTION:** Used without the safety alert symbol indicates a potentially hazardous situation which, if not avoided, may result in property damage.

## Functional Description

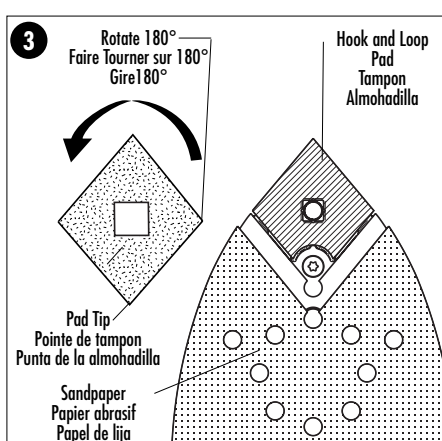
- Switch "ON"
- Switch "OFF"
- Dust Canister
- Removable Pad Tip
- Hook and Loop Sanding Pad



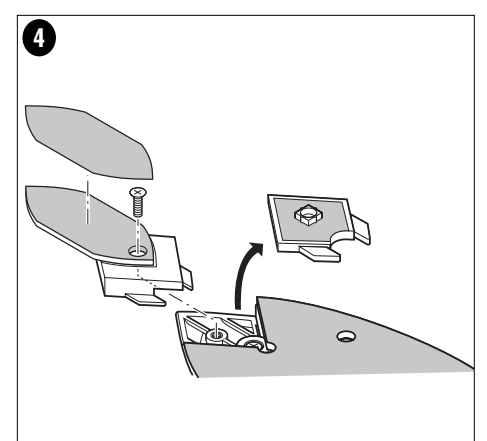
1 On Off Switch  
Interrupteur  
Interruptor de Encendido  
Y Apagado



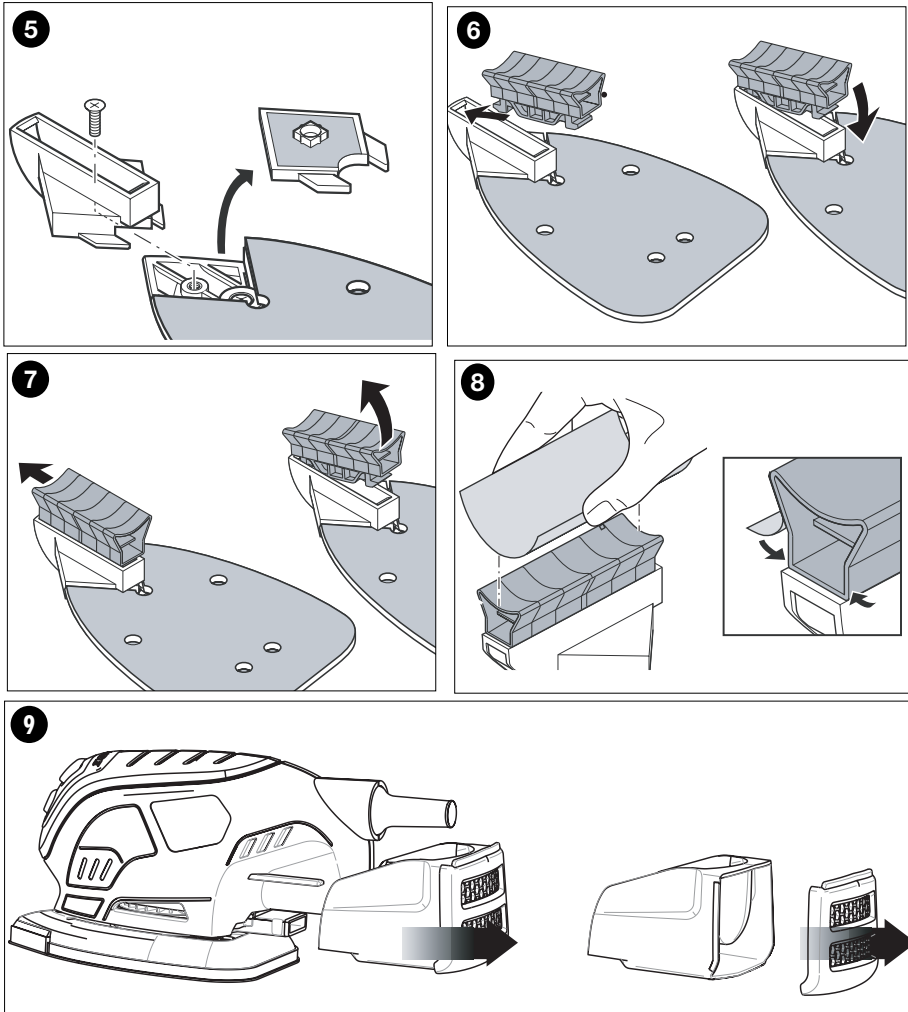
2 Extra Tips  
Pointes supplémentaires  
Puntas adicionales



3 Rotate 180°  
Faire tourner sur 180°  
Gire 180°  
Hook and Loop Pad  
Tampon  
Almohadilla  
Pad Tip  
Pointe de tampon  
Punta de la almohadilla  
Sandpaper  
Papier abrasif  
Papel de lija



4



### Extension Cords

When using an extension cord, be sure to use one heavy enough to carry the current your product will draw. An undersized cord will cause a drop in line voltage resulting in loss of power and overheating. The following table shows the correct size to use depending on cord length and nameplate ampere rating. If in doubt, use the next heavier gage. The smaller the gage number, the heavier the cord.

| Volts         | Minimum Gage for Cord Sets   |                    |         |                 |    |
|---------------|------------------------------|--------------------|---------|-----------------|----|
|               | Total Length of Cord in Feet |                    |         |                 |    |
| 120V          | 0-25                         | 26-50              | 51-100  | 101-150         |    |
| 240V          | 0-50                         | 51-100             | 101-200 | 201-300         |    |
| Ampere Rating |                              | American Wire Gage |         |                 |    |
| More Than     | Not more Than                |                    |         |                 |    |
| 0             | 6                            | 18                 | 16      | 16              | 14 |
| 6             | 10                           | 18                 | 16      | 14              | 12 |
| 10            | 12                           | 16                 | 16      | 14              | 12 |
| 12            | 16                           | 14                 | 12      | Not Recommended |    |

### Symbols

The label on your tool may include the following symbols.

|           |                       |                      |  |
|-----------|-----------------------|----------------------|--|
| V .....   | volts                 | A .....              | amperes                                  |
| Hz .....  | hertz                 | W .....              | watts                                    |
| min ..... | minutes               | ~ .....              | alternating current                      |
| — .....   | direct current        | n <sub>o</sub> ..... | no load speed                            |
| □ .....   | Class II Construction | ⊕ .....              | earthing terminal                        |
| ⚠ .....   | safety alert symbol   | .../min .....        | revolutions or reciprocations per minute |

**⚠ WARNING: Some dust created by power sanding, sawing, grinding, drilling, and other construction activities contains chemicals known to the State of California to cause cancer, birth defects or other reproductive harm. Some examples of these chemicals are:**

- lead from lead-based paints,
- crystalline silica from bricks and cement and other masonry products, and
- arsenic and chromium from chemically-treated lumber.

Your risk from these exposures varies, depending on how often you do this type of work. To reduce your exposure to these chemicals: work in a well ventilated area, and work with approved safety equipment, such as those dust masks that are specially designed to filter out microscopic particles.

**• Avoid prolonged contact with dust from power sanding, sawing, grinding, drilling, and other construction activities. Wear protective clothing and wash exposed areas with soap and water.** Allowing dust to get into your mouth, eyes, or lay on the skin may promote absorption of harmful chemicals.

**⚠ WARNING: Use of this tool can generate and/or disburse dust, which may cause serious and permanent respiratory or other injury.** Always use NIOSH/OSHA approved respiratory protection appropriate for the dust exposure. Direct particles away from face and body.

### ⚠ Safety Warnings and Instructions: Sanders

- **ALWAYS USE PROPER EYE AND RESPIRATORY PROTECTION.**
- Clean your tool out periodically.

### ⚠ Other Important Safety Warnings and Instructions

### Sanding

#### Lead Based Paint

Sanding of lead based paint is NOT RECOMMENDED due to the difficulty of controlling the contaminated dust. The greatest danger of lead poisoning is to children and pregnant women.

Since it is difficult to identify whether or not a paint contains lead without a chemical analysis, we recommend the following precautions when sanding any paint:

#### Personal Safety

- No children or pregnant women should enter the work area where the paint sanding is being done until all clean up is completed.
- A dust mask or respirator should be worn by all persons entering the work area. The filter should be replaced daily or whenever the wearer has difficulty breathing.
- **NOTE:** Only those dust masks suitable for working with lead paint dust and fumes should be used. Ordinary painting masks do not offer this protection. See your local hardware dealer for the proper (NIOSH approved) mask.
- NO EATING, DRINKING or SMOKING should be done in the work area to prevent ingesting contaminated paint particles. Workers should wash and clean up BEFORE eating, drinking or smoking. Articles of food, drink, or smoking should not be left in the work area where dust would settle on them.

#### Environmental Safety

- Paint should be removed in such a manner as to minimize the amount of dust generated.
- Areas where paint removal is occurring should be sealed with plastic sheeting of 4 mils thickness.
- Sanding should be done in a manner to reduce tracking of paint dust outside the work area.

### Cleaning and Disposal

- All surfaces in the work area should be vacuumed and thoroughly cleaned daily for the duration of the sanding project. Vacuum filter bags should be changed frequently.
- Plastic drop cloths should be gathered up and disposed of along with any dust chips or other removal debris. They should be placed in sealed refuse receptacles and disposed of through regular trash pick-up procedures. During clean up, children and pregnant women should be kept away from the immediate work area.
- All toys, washable furniture and utensils used by children should be washed thoroughly before being used again.

### Motor

Be sure your power supply agrees with nameplate marking. 120 Volts AC only means your tool will operate on standard 60 Hz household power. Do not operate AC tools on DC. A rating of 120 volts AC/DC means that you tool will operate on standard 60 Hz AC or DC power. This information is printed on the nameplate. Lower voltage will cause loss of power and can result in over-heating. All Black & Decker tools are factory-tested; if this tool does not operate, check the power supply.

### Operating Instructions

**⚠ WARNING:** To reduce the risk of serious personal injury, read and follow all important safety warnings and instructions prior to using this tool.

### Switch

To turn the tool ON, hold it as shown in Figure 1 and push the portion of the switch marked "I". To turn the tool OFF, push the portion of the switch marked "O".

### Operation (Figure 1)

Grasp product as shown in figure 1 and turn it on. **NOTE:** Do not rest fingers on platen during use. Move it in long sweeping strokes across the surface, letting it do the work. Light pressure is all that is required for sanding, polishing or scrubbing. Excessive pressure will slow the tool and produce inferior results. Check your work often, product is capable of removing material rapidly.

**⚠ WARNING: Shock hazard.** Under no circumstances should this product be used near water.

**⚠ CAUTION: To reduce the risk of injury,** turn off and unplug the tool before making any adjustments or removing or installing attachments or accessories.

### Detail Sanding

Your tool is equipped with a teardrop base which allows you to use it on large flat surfaces and tight spots or corners.

The pad tips may wear unevenly, depending on use. The pads are designed to allow you to interchange and /or rotate the diamond tip.

### Fitting sanding sheets (Fig. 2)

- Detach the two diamond-shaped tips from the sanding sheet.
- Hold the tool with the sanding base facing upwards.
- Place the sanding sheet onto the sanding base.
- The diamond-shaped tip can be reversed and replaced when worn.
- When the front part of the tip is worn, detach it from the sheet, reverse it and press it onto the sanding base again.
- When the whole tip is worn, remove it from the sanding base and fit a new tip.

### Tip of the Sanding Base (Fig. 3)

- When the sanding base tip is worn, it can be reversed or replaced.
- Reverse or replace the worn part.

### Finger Attachment (Fig. 4)

The finger attachment is used for fine detail sanding.

- Remove the screw.
- Remove the diamond-shaped tip holder from the sanding base.
- Fit the finger attachment onto the sanding base.
- Fit and tighten the screw.
- Align the sanding sheet with the finger attachment.

### Contour Holder Attachment (Fig. 5)

- The contour sanding pieces are for sanding curved surfaces and grooves.
- Remove the screw.
- Remove the diamond-shaped tip holder from the sanding base.
- Fit the contour holder onto the sanding base.
- Fit and tighten the screw.

### Fitting and Removing a Contour Piece (Fig. 6 & 7)

- Choose the contour sanding piece profile most suitable for your application.
- Place one end of the contour sanding piece into the recess at the front end of the contour holder.
- Push the other end of the contour sanding piece until it clicks into place.
- **To remove the contour sanding piece, push it forward then pull the rear end out of the contour holder (fig. 7).**

### Fitting a Sanding Sheet Onto a Contour Sanding Piece (Fig. 8)

- Align the sanding sheet with the contour sanding piece.
- Press the sanding sheet onto the contour sanding piece, making sure that the sanding sheet follows the shape of the profile.

### Dust Extraction (Fig. 9)

#### To Empty Dust Canister:

- The dust canister should be emptied after every 10 minutes of sanding.
- While holding the sander, grasp the dust collection canister and pull off of the sander.
- Remove the canister door and gently shake or tap the canister and door to empty.
- Re-attach the door and firmly push the canister back onto the sander.

**⚠ CAUTION: Respiratory hazard.** Never operate this tool for wood sanding unless the dust canister is in place. Sanding dust exhaust may create a breathing hazard.

**⚠ WARNING: Fire hazard.** Collected sanding dust from sanding surface coatings (polyurethane, linseed oil, etc.) can self-ignite in sander dust canister or elsewhere and cause fire. To reduce risk, empty canister frequently and strictly follow sander manual and coating manufacturer's instructions.

**⚠ WARNING: Fire hazard.** When working on metal surfaces, do not use the dust canister or a vacuum cleaner because sparks are generated. Wear safety glasses and a dust mask. Due to the danger of fire, do not use your sander to sand magnesium surfaces. Do not use for wet sanding.

### TROUBLESHOOTING

| Problem                        | Possible Cause                                     | Possible Solution   |
|--------------------------------|--|---|
| • Unit will not start.         | • Cord not plugged in.<br>• Circuit fuse is blown. | • Plug tool into a working outlet.<br>• Replace circuit fuse.<br>(If the product repeatedly causes the circuit fuse to blow, discontinue use immediately and have it serviced at a Black & Decker service center or authorized servicer.) |
|                                | • Circuit breaker is tripped.                      | • Reset circuit breaker.<br>(If the product repeatedly causes the circuit breaker to trip, discontinue use immediately and have it serviced at a Black & Decker service center or authorized servicer.)                                   |
|                                | • Cord or switch is damaged.                       | • Have cord or switch replaced at Black & Decker Service Center or Authorized Servicer.   |
| • Dust is not being collected. | • Sandpaper holes do not align.                    | • Use Mouse® sandpaper with the appropriate hole configuration.   |

For assistance with your product, visit our website [www.blackanddecker.com](http://www.blackanddecker.com) for the location of the service center nearest you or call the BLACK & DECKER help line at 1-800-544-6986.

## Maintenance

Use only mild soap and damp cloth to clean the tool. Never let any liquid get inside the tool; never immerse any part of the tool into a liquid.

**IMPORTANT:** To assure product SAFETY and RELIABILITY, repairs, maintenance and adjustment should be performed by authorized service centers or other qualified service organizations, always using identical replacement parts.

## Accessories

A variety of Mouse® accessories are available at extra cost. Listings per retailer may vary. Note: Use only sandpaper with holes in the same configuration as on the base of the sander. Sandpaper without holes will not allow dust to enter the canister. The hook and loop pad and individual bases are replaceable parts. If they become worn, contact your local service center. For more information call: **1-800-544-6986**.

**⚠ WARNING:** The use of any accessory not recommended for use with this tool could be hazardous.

## Application / Accessory Matrix

| ACCESSORY                       | RECOMMENDED APPLICATIONS / USES                            |
|---------------------------------|--|
| MEDIUM GRIT SANDPAPER           | PAINT, VARNISH, RUST REMOVAL                               |
| FINE GRIT SANDPAPER             | SURFACE BLENDING AND FINISHING                             |
| EXTRA FINE GRIT SANDPAPER       | SANDING BETWEEN COATS OF PAINT OR VARNISH                  |
| DETAIL SANDING TIPS             | CORNERS / HARD TO REACH PLACES                             |
| 1 OT POLISHING / STRIPPING WOOL | POLISHING METALS / STRIPPING VARNISH OR URETHANE           |
| 4 OT FINE POLISHING WOOL        | FINE POLISHING, SATIN FINISH ON PAINT / VARNISH / URETHANE |
| GREY FOAM PAD                   | APPLYING AND REMOVING POLISH                               |
| WHITE NON-WOVEN PAD             | LIGHT SCRUBBING  |
| RED NON-WOVEN PAD               | HEAVY SCRUBBING / RUST REMOVAL                             |

The pads described above may be available in kits where Mouse® products are sold. For more information call **1-800-544-6986**.

## Service Information

Black & Decker offers a full network of company-owned and authorized service locations throughout North America. All Black & Decker Service Centers are staffed with trained personnel to provide customers with efficient and reliable power tool service.

Whether you need technical advice, repair, or genuine factory replacement parts, contact the Black & Decker location nearest you.

To find your local service location, refer to the yellow page directory under "Tools—Electric" or call: **1-800-544-6986**.

## Full Two-Year Home Use Warranty

Black & Decker (U.S.) Inc. warrants this product for two years against any defects in material or workmanship. The defective product will be replaced or repaired at no charge in either of two ways.

The first, which will result in exchanges only, is to return the product to the retailer from whom it was purchased (provided that the store is a participating retailer). Returns should be made within the time period of the retailer's policy for exchanges (usually 30 to 90 days after the sale). Proof of purchase may be required. Please check with the retailer for their specific return policy regarding returns that are beyond the time set for exchanges.

The second option is to take or send the product (prepaid) to a Black & Decker owned or authorized Service Center for repair or replacement at our option. Proof of purchase may be required. Black & Decker owned and authorized Service Centers are listed under "Tools-Electric" in the yellow pages of the phone directory.

This warranty does not apply to accessories. This warranty gives you specific legal rights and you may have other rights which vary from state to state or province to province. Should you have any questions, contact the manager of your nearest Black & Decker Service Center. This product is not intended for commercial use.

**FREE WARNING LABEL REPLACEMENT:** If your warning labels become illegible or are missing, call **1-800-544-6986** for a free replacement.

Imported by  
Black & Decker (U.S.) Inc.,  
701 E. Joppa Rd.  
Towson, MD 21286 U.S.A.



BlackandDecker.com  
1-800-544-6986

See 'Tools-Electric'  
- Yellow Pages -  
for Service & Sales



# MODE D'EMPLOI DU MOUSE PONCEUSE-POLISSEUSE

Merci d'avoir choisi Black & Decker!  
Consulter le site Web  
[www.BlackandDecker.com/NewOwner](http://www.BlackandDecker.com/NewOwner)  
pour enregistrer votre nouveau produit.

## À LIRE AVANT DE RETOURNER CE PRODUIT POUR QUELQUE RAISON QUE CE SOIT :

Si des questions ou des problèmes surgissent après l'achat d'un produit Black & Decker, consulter le site Web

[HTTP://WWW.BLACKANDDECKER.COM/INSTANTANSWERS](http://www.BLACKANDDECKER.COM/INSTANTANSWERS)

pour obtenir des réponses instantanément 24 heures par jour.

Si la réponse est introuvable ou en l'absence d'accès à Internet, composer le 1-800-544-6986 de 8 h à 17 h HNE, du lundi au vendredi, pour parler avec un agent.

Prière d'avoir le numéro de catalogue sous la main lors de l'appel.

## IMPORTANTES RENSEIGNEMENTS

· Ne pas appuyer trop fort sur l'outil; laisser ce dernier faire le travail.

· Il est déconseillé d'utiliser cet outil pour poncer des cloisons sèches pendant de longues périodes.

## CONSERVER CE MANUEL POUR UN USAGE ULTÉRIEUR.

### Avertissements de sécurité généraux pour les outils électriques

**⚠ AVERTISSEMENT!** Lire tous les avertissements de sécurité et toutes les directives. Le non-respect des avertissements et des directives pourrait se solder par un choc électrique, un incendie et/ou une blessure grave.

**Conserver tous les avertissements et toutes les directives pour un usage ultérieur.**

Le terme «outil électrique» cité dans les avertissements se rapporte à votre outil électrique à alimentation sur secteur (avec fil) ou par piles (sans fil).

#### 1) Sécurité du lieu de travail

a) Tenir la zone de travail propre et bien éclairée. Les endroits sombres sont souvent des causes d'accidents.

b) Ne pas faire fonctionner d'outils électriques dans un milieu déflagrant, soit en présence de liquides inflammables, de gaz ou de poussière. Les outils électriques produisent des étincelles qui peuvent enflammer la poussière ou les vapeurs.

c) Éloigner les enfants et les curieux au moment d'utiliser un outil électrique. Une distraction pourrait vous en faire perdre la maîtrise.

#### 2) Sécurité en matière d'électricité

a) Les fiches des outils électriques doivent correspondre à la prise. Ne jamais modifier la fiche en aucune façon. Ne jamais utiliser de fiche d'adaptation avec un outil électrique mis à la terre. Le risque de choc électrique sera réduit par l'utilisation de fiches non modifiées correspondant à la prise.

b) Éviter tout contact physique avec des surfaces mises à la terre comme des tuyaux, des radiateurs, des cuisinières et des réfrigérateurs. Le risque de choc électrique est plus élevé si votre corps est mis à la terre.

c) Ne pas exposer les outils électriques à la pluie ou à d'autres conditions où il pourrait être mouillé. La pénétration de l'eau dans un outil électrique augmente le risque de choc électrique.

d) Ne pas utiliser abusivement le cordon d'alimentation. Ne jamais utiliser le cordon pour transporter, tirer ou débrancher un outil électrique. Tenir le cordon éloigné de la chaleur, de l'huile, des bords tranchants ou des pièces mobiles. Les cordons endommagés ou emmêlés augmentent les risques de choc électrique.

e) Pour l'utilisation d'un outil électrique à l'extérieur, se servir d'une rallonge convenant à une telle utilisation. L'utilisation d'une rallonge conçue pour l'extérieur réduit les risques de choc électrique.

f) S'il est impossible d'éviter l'utilisation d'un outil électrique dans un endroit humide, utiliser une source d'alimentation dotée d'un disjoncteur de fuite à la terre. L'utilisation de ce type de disjoncteur réduit les risques de choc électrique.

#### 3) Sécurité personnelle

a) Être vigilant, surveiller le travail effectué et faire preuve de jugement lorsqu'un outil électrique est utilisé. Ne pas utiliser d'outil électrique en cas de fatigue ou sous l'influence de drogues, d'alcool ou de médicaments. Un simple moment d'inattention en utilisant un outil électrique peut entraîner des blessures corporelles graves.

b) Utiliser des équipements de protection individuelle. Toujours porter une protection oculaire. L'utilisation d'équipements de protection comme un masque antipoussière, des chaussures antidérapantes, un casque de sécurité ou des protecteurs auditifs lorsque la situation le requiert réduira les risques de blessures corporelles.

c) Empêcher les démarrages intempestifs. S'assurer que l'interrupteur se trouve à la position d'arrêt avant de relier l'outil à une source d'alimentation et/ou d'insérer un bloc-piles, de ramasser ou de transporter l'outil. Transporter un outil électrique alors que le doigt repose sur l'interrupteur ou brancher un outil électrique dont l'interrupteur est à la position de marche risque de provoquer un accident.

d) Retirer toute clé de réglage ou clé standard avant de démarrer l'outil. Une clé standard ou une clé de réglage attachée à une partie pivotante peut causer des blessures.

e) Ne pas trop tendre les bras. Conserver son équilibre en tout temps. Cela permet de mieux maîtriser l'outil électrique dans les situations imprévues.

f) S'habiller de manière appropriée. Ne pas porter de vêtements amples ni de bijoux. Garder les cheveux, les vêtements et les gants à l'écart des pièces mobiles. Les vêtements amples, les bijoux ou les cheveux longs risquent de rester coincés dans les pièces mobiles.

g) Si des composants sont fournis pour le raccordement de dispositifs de dépoussiérage et de ramassage, s'assurer que ceux-ci sont bien raccordés et utilisés. L'utilisation d'un dispositif de dépoussiérage peut réduire les dangers engendrés par les poussières.

#### 4) Utilisation et entretien d'un outil électrique

a) Ne pas forcer un outil électrique. Utiliser l'outil électrique approprié à l'application. L'outil électrique approprié effectuera un meilleur travail, de façon plus sûre et à la vitesse pour laquelle il a été conçu.

b) Ne pas utiliser un outil électrique dont l'interrupteur est défectueux. Tout outil électrique dont l'interrupteur est défectueux est dangereux et doit être réparé.

c) Débrancher la fiche du secteur ou le bloc-piles de l'outil électrique avant de faire tout réglage ou changement d'accessoire, ou avant de ranger l'outil électrique. Ces mesures préventives réduisent les risques de démarrage accidentel de l'outil électrique.

d) Ranger les outils électriques hors de la portée des enfants, et ne permettre à aucune personne n'étant pas familière avec un outil électrique (ou son manuel d'instruction) d'utiliser ce dernier. Les outils électriques deviennent dangereux entre les mains d'utilisateurs inexpérimentés.

e) Entretenir les outils électriques. Vérifier les pièces mobiles pour s'assurer qu'elles sont bien alignées et tournent librement, qu'elles sont en bon état et ne sont affectées par aucun trouble susceptible de nuire au bon fonctionnement de l'outil électrique. En cas de dommage, faire réparer l'outil électrique avant toute nouvelle utilisation. Beaucoup d'accidents sont causés par des outils électriques mal entretenus.

f) S'assurer que les outils de coupe sont aiguisés et propres. Les outils de coupe bien entretenus et affûtés sont moins susceptibles de se coincer et sont plus faciles à contrôler.

g) Utiliser l'outil électrique, les accessoires, les forets, etc. conformément aux présentes directives en tenant compte des conditions de travail et du travail à effectuer. L'utilisation d'un outil électrique pour toute opération autre que celle pour laquelle il a été conçu est dangereuse.

#### 5) Utilisation et entretien du bloc-piles

a) Ne recharger l'outil qu'au moyen du chargeur précisé par le fabricant. L'utilisation d'un chargeur qui convient à un type de bloc-piles risque de provoquer un incendie s'il est utilisé avec un autre type de bloc-piles.

b) Utiliser les outils électriques uniquement avec les blocs-piles conçus à cet effet. L'utilisation de tout autre bloc-piles risque de causer des blessures ou un incendie.

c) Lorsque le bloc-piles n'est pas utilisé, le tenir éloigné des objets métalliques, notamment des trombones, de la monnaie, des clés, des clous, des vis, etc., qui peuvent établir une connexion entre les deux bornes. Le court-circuit des bornes du bloc-piles risque de provoquer des étincelles, des brûlures ou un incendie.

d) En cas d'utilisation abusive, le liquide peut gicler hors du bloc-piles, éviter tout contact. Si un contact accidentel se produit, laver à grande eau. Si le liquide entre en contact avec les yeux, obtenir des soins médicaux. Le liquide qui gicle hors du bloc-piles peut provoquer des irritations ou des brûlures.

#### 6) Réparation

a) Faire réparer l'outil électrique par un réparateur professionnel en n'utilisant que des pièces de rechange identiques. Cela permettra de maintenir une utilisation sécuritaire de l'outil électrique.

## Consignes de sécurité particulières

· Saisir l'outil électrique par ses surfaces de prises isolées lorsque l'outil peut entrer en contact avec des fils cachés ou son cordon. En cas de contact avec un fil sous tension, les pièces métalliques de l'outil seront sous tension et l'utilisateur subira des secousses électriques.

· Toujours porter des lunettes de protection et un appareil respiratoire antipoussière pendant le ponçage.

**⚠ AVERTISSEMENT :** TOUJOURS porter des lunettes de sécurité. Les lunettes de vue ne constituent PAS des lunettes de sécurité. Utiliser également un masque facial ou anti-poussière si l'opération de découpe génère de la poussière.

**TOUJOURS PORTER UN ÉQUIPEMENT DE PROTECTION HOMOLOGUÉ :**

· protection oculaire conforme à la norme ANSI Z87.1 (CAN/CSA Z94.3);

· protection auditive ANSI S12.6 (S3.19);

· protection des voies respiratoires conformes aux normes NIOSH/OSHA/MSHA.

· Le ponçage de peintures à base de plomb n'est pas recommandé. Se reporter à la section Mesures de précaution concernant le ponçage de peinture Précautions à prendre pour poncer les peintures pour plus d'informations quant au ponçage des peintures.

· Nettoyer l'outil régulièrement.

## LIGNES DIRECTRICES EN MATIÈRE DE SÉCURITÉ - DÉFINITIONS

Il est important que vous lisiez et compreniez ce mode d'emploi. Les informations qu'il contient concernent VOTRE SÉCURITÉ et visent à ÉVITER TOUT PROBLÈME. Les symboles ci-dessous servent à vous aider à reconnaître cette information.

**⚠ DANGER :** Indique une situation dangereuse imminente qui, si elle n'est pas évitée, causera la mort ou des graves blessures.

**⚠ AVERTISSEMENT :** Indique une situation potentiellement dangereuse qui, si elle n'est pas évitée, pourrait causer la mort ou de graves blessures.

**⚠ MISE EN GARDE :** Indique une situation potentiellement dangereuse qui, si elle n'est pas évitée, pourrait causer des blessures mineures ou modérées.

**MISE EN GARDE :** Utilisé sans le symbole d'alerte à la sécurité, indique une situation potentiellement dangereuse qui, si elle n'est pas évitée, peut résulter en des dommages à la propriété.

### DESCRIPTION FONCTIONNELLE

- A. Commutateur de mise en fonction
- B. Commutateur d'arrêt
- C. Compartiment à poussière
- D. Pointe amovible du plateau de la ponceuse
- E. Papier abrasif autograppant

### Cordons de rallonge

S'assurer que le cordon de rallonge est en bon état avant de s'en servir. Toujours utiliser un cordon de calibre approprié à l'outil; à savoir, le calibre approprié selon différentes longueurs de rallonge et fournissant la tension nécessaire à l'outil. L'utilisation d'un cordon de calibre inférieur entraîne une baisse de tension et la surchauffe de l'outil. Consulter le tableau plus bas pour connaître le calibre approprié des rallonges.

| Calibre minimal des cordons de rallonge |                                    |                              |              |                |    |
|---|------------------------------------|------------------------------|--------------|----------------|----|
| Tension                                 | Longueur totale du cordon en pieds |                              |              |                |    |
| 120V                                    | 0-25                               | 26-50                        | 51-100       | 101-150        |    |
|   | (0-7,6m)                           | (7,6-15,2m)                  | (15,2-30,4m) | (30,4-45,7m)   |    |
| 240V                                    | 0-50                               | 51-100                       | 101-200      | 201-300        |    |
|   | (0-15,2m)                          | (15,2-30,4m)                 | (30,4-60,9m) | (60,9-91,4m)   |    |
| Intensité (A)                           |                                    |                              |              |                |    |
| Au moins                                | Au plus                            | Calibre moyen des fils (AWG) |              |                |    |
| 0                                       | - 6                                | 18                           | 16           | 16             | 14 |
| 6                                       | - 10                               | 18                           | 16           | 14             | 12 |
| 10                                      | - 12                               | 16                           | 16           | 14             | 12 |
| 12                                      | - 16                               | 14                           | 12           | Non recommandé |    |

L'étiquette apposée sur l'outil peut afficher les symboles suivants.

|            |                           |              |  |
|------------|---------------------------|--------------|--|
| V .....    | volts                     | A .....      | ampères                                    |
| Hz .....   | hertz                     | W .....      | watts                                      |
| min .....  | minutes                   | ~ .....      | courant alternatif                         |
| ==== ..... | courant continu           | no .....     | aucune option à vide                       |
| ☐ .....    | construction de classe II | .....        | borne de terre                             |
| ⚠ .....    | symbole d'avertissement   | .../min..... | tours ou mouvements alternatifs par minute |

**⚠ AVERTISSEMENT :** certains outils électriques, tels que les sableuses, les scies, les meules, les perceuses ou certains autres outils de construction, peuvent produire de la poussière contenant des produits chimiques reconnus par l'État de la Californie comme étant susceptibles d'entraîner le cancer, des malformations congénitales ou pouvant être nocifs pour le système reproductif. Parmi ces produits chimiques, on retrouve :

- le plomb dans les peintures à base de plomb,
- la silice cristalline dans les briques et le ciment et autres produits de maçonnerie,
- l'arsenic et le chrome dans le bois de sciage ayant subi un traitement chimique.

Le risque associé à de telles expositions varie selon la fréquence avec laquelle on effectue ces travaux. Pour réduire l'exposition à de tels produits, il faut travailler dans un endroit bien aéré et utiliser le matériel de sécurité approprié, tel un masque anti-poussières spécialement conçu pour filtrer les particules microscopiques.

• Éviter tout contact prolongé avec la poussière soulevée par cet outil ou autres outils électriques. Porter des vêtements de protection et nettoyer les parties exposées du corps à l'eau savonneuse. S'assurer de bien se protéger afin d'éviter d'absorber par la bouche, les yeux ou la peau des produits chimiques nocifs.

**⚠ AVERTISSEMENT :** Cet outil peut produire et répandre de la poussière susceptible de causer des dommages sérieux et permanents au système respiratoire. Toujours utiliser un appareil respiratoire anti-poussières approuvé par le NIOSH ou l'OSHA. Diriger les particules dans le sens opposé du visage et du corps.

**⚠ Mesures de sécurité relatives aux ponceuses**

- **TOUJOURS PORTER DES LUNETTES DE SÉCURITÉ.**
- Enlever régulièrement la poussière accumulée sur l'outil.

### Autres mesures de sécurité importantes

#### Ponçage

#### Ponçage de peinture à base de plomb

IL N'EST PAS RECOMMANDÉ de poncer de la peinture à base de plomb puisqu'il est difficile d'en maîtriser la poussière contaminée. Ce genre de ponçage présente de sérieux risques d'empoisonnement au plomb pour les femmes enceintes et les enfants.

Puisqu'il est difficile de déterminer si la peinture renferme du plomb sans en faire une analyse chimique, il est conseillé de se conformer aux mesures suivantes lors du ponçage de tout type de peinture.

#### Sécurité personnelle

- Ne laisser aucun enfant ni aucune femme enceinte entrer dans la pièce où il y a ponçage de peinture jusqu'à ce que la pièce soit nettoyée.
- Toute personne entrant dans la pièce de travail devrait porter un masque ou un respirateur. L'utilisateur devrait en remplacer le filtre chaque jour ou dès qu'il éprouve de la difficulté à respirer.
- **NOTE :** Il faut seulement utiliser des masques conçus pour le travail en présence de poussières ou de vapeurs de plomb. Les masques ordinaires ne sont pas conçus à cet effet. Consulter le quincaillier pour choisir le masque approprié.
- IL EST DÉCONSEILLÉ DE MANGER, DE BOIRE ET DE FUMER dans la pièce de travail afin de ne pas ingérer de particules contaminées. L'utilisateur doit se laver et se nettoyer AVANT de manger, de boire ou de fumer. Il ne faut pas laisser dans la pièce de travail de la nourriture, des boissons ou des cigarettes car de la poussière pourrait se déposer sur ces articles.

#### Protection de l'environnement

- Il faut enlever la peinture de manière à produire un minimum de poussière.
- Il faut sceller la zone de travail à l'aide de feuilles de plastique d'une épaisseur minimale de 4 mils.
- Il faut poncer de façon à réduire la propagation de la poussière hors de la pièce de travail.

#### Nettoyage et déchets

- Il faut bien aspirer toutes les surfaces de la pièce de travail et les nettoyer à fond chaque jour pendant la durée des travaux. Il faut remplacer fréquemment le filtre de l'aspirateur.
- Ramasser les feuilles de plastique et les jeter avec la poussière et les autres débris dans des contenants étanches à placer avec les ordures ménagères pour l'enlèvement. Tenir les enfants et les femmes enceintes à l'écart de la zone de travail pendant les travaux de nettoyage.
- Il faut nettoyer à fond les jouets, les meubles et les ustensiles des enfants avant de les utiliser de nouveau.

### Moteur

Veiller à ce que la tension d'alimentation soit conforme aux exigences de la plaque signalétique de l'outil. La mention "120 volts c.a. seulement" signifie que l'outil fonctionne seulement sur une alimentation domestique standard de 60 Hz. Ne pas alimenter des outils à alimentation en courant alternatif sur du courant continu ou alternatif. La mention "120 volts c.a./c.c." signifie que l'outil fonctionne seulement sur une alimentation domestique standard de 60 Hz c.a. ou c.c.. Ces renseignements se trouvent sur la plaque signalétique de l'outil. Une baisse de tension entraîne une perte de puissance et la surchauffe. Tous les outils sont essayés avant de quitter l'usine. Lorsque celui-ci refuse de fonctionner, vérifier la source de courant électrique.

### Fonctionnement

**⚠ AVERTISSEMENT :** Afin de minimiser les risques de blessures graves, lire, comprendre et respecter toutes les mesures de sécurité et toutes les directives avant d'utiliser l'outil.

### Interrupteur

Pour mettre l'outil en marche, le saisir de la façon illustrée à la figure 1 et enfoncer la partie de l'interrupteur portant la mention "I". Pour l'arrêter, enfoncer la partie de l'interrupteur portant la mention "O".

### Fonctionnement (Fig. 1)

Saisir l'outil de la façon illustrée à la figure 1 et le mettre en marche. **NOTE :** Ne pas poser les doigts sur la table porte-pièce en cours d'utilisation. Le déplacer en longs mouvements de va-et-vient le long de la surface en le laissant faire le travail. Il suffit d'exercer une légère pression pour poncer, polir et frotter. Un excès de pression ralentit l'outil et donne des résultats inférieurs. Surveiller souvent le travail; l'outil peut enlever rapidement le matériau.

**⚠ MISE EN GARDE :** L'outil ne doit être utilisé près de l'eau en aucun temps.

**⚠ AVERTISSEMENT :** Toujours débrancher l'outil avant de procéder aux étapes suivantes.

### PONÇAGE DE PRÉCISION

L'outil est doté d'une base en forme de goutte qui permet de l'utiliser autant sur de larges surfaces plates que dans des recoins ou endroits difficiles d'accès.

Les pointes des bandes peuvent s'user inégalement, selon l'usage qu'on en fait. Les bandes sont conçues de manière à ce qu'on puisse substituer ou faire pivoter la pointe en forme de losange.

### Fixation du papier abrasif (Fig. 2)

- Retirer les deux pointes en forme de losanges du papier abrasif.
- Tenir l'outil de manière à orienter la base abrasive vers le haut.
- Mettre le papier abrasif sur la base.
- Les pointes usées peuvent être inversées ou remplacées.
- Lorsque seule la partie avant de la pointe est usée, la retirer, l'inverser et la remettre sur la base abrasive.
- Lorsque la pointe au complet est usée, la retirer et la remplacer.

### Pointe de la base abrasive (fig. 3)

La base abrasive usée peut être inversée ou remplacée.

- inverser ou remplacer la partie usée;

### Accessoire doigt de ponçage (fig. 4)

L'accessoire doigt de ponçage est utilisé pour le ponçage de détails de pièces.

- Enlever la vis.
- Enlever le support d'extrémité en forme de diamant de la base de ponçage.
- Fixer l'accessoire sur la base de ponçage.
- L'ajuster et serrer la vis.
- Aligner la feuille abrasive avec l'accessoire/doigt.

### Support accessoire pour ponçage de contour (fig. 5)

- Les pièces de ponçage de contour servent à poncer les surfaces courbées et les rainures.
- Enlever la vis.
- Enlever le support à bout en biseau de la base de ponçage.
- Poser le support à contour sur la base de ponçage.
- L'ajuster et serrer la vis.

### Ajustement et dépose d'une pièce à contour (fig. 6 et 7)

- Choisir le calibre de la pièce de ponçage de contour qui convient le mieux à votre application.
- Insérer une extrémité de la pièce de papier abrasif pour ponçage de contour dans l'espace, à l'extrémité avant du porte-accessoires de contour.
- Enfoncer l'autre extrémité de la pièce de ponçage de contour de manière à entendre un déclic.
- **Pour enlever la pièce de ponçage de contour, la pousser vers l'avant, puis tirer sur l'extrémité arrière du support du calibre (fig. 7).**

### Ajustement d'un papier abrasif sur une pièce de ponçage de contour (fig. 8)

- Aligner le papier abrasif avec la pièce de ponçage de contour.
- Presser le papier abrasif sur la pièce de ponçage de contour et s'assurer que le papier abrasif suive bien la forme du calibre.

### Dispositif de dépoussiérage (Fig. 9)

#### Vidange du compartiment à poussière :

- Vider le compartiment à poussière à toutes les 10 minutes d'utilisation.
- Tenir la ponceuse, saisir le compartiment à poussière et tirez-le pour le retirer de la ponceuse.
- Retirer le couvercle du compartiment et secouer ou tapoter délicatement le compartiment pour le vider par l'ouverture.
- Refermer le couvercle et enfoncer fermement le compartiment dans la ponceuse.

**⚠ MISE EN GARDE :** danger pour les voies respiratoires. Ne jamais utiliser cet outil pour le ponçage du bois sans le compartiment à poussière en position. La poussière produite et éjectée par le ponçage risque de provoquer des problèmes respiratoires.

**⚠ AVERTISSEMENT :** danger d'incendie. Les poussières de ponçage issues des couches de protection (polyuréthane, huile de lin, etc.) peuvent s'enflammer spontanément dans le compartiment à poussière ou ailleurs et causer un incendie. Pour réduire les risques, vider fréquemment le compartiment à poussière et suivre strictement le mode d'emploi de la ponceuse ainsi que les directives du fabricant de l'enduit.

**⚠ AVERTISSEMENT :** danger d'incendie. Pour le travail effectué sur des surfaces métalliques, ne pas utiliser le compartiment à poussière ou un aspirateur parce que des étincelles peuvent se produire. Porter des lunettes de sécurité et un masque anti-poussières. En raison du risque d'incendie, ne pas utiliser la ponceuse pour poncer des surfaces de magnésium. Ne pas utiliser pour ponçage à l'eau.

### Entretien

Utiliser seulement du savon doux et un chiffon humide pour nettoyer l'outil. Ne laisser aucun liquide s'infiltrer dans l'outil et ne jamais immerger tout composant de l'outil.

**IMPORTANT :** Pour assurer la SÉCURITÉ D'EMPLOI et la FIABILITÉ de l'outil, en confier les réparations, l'entretien et les réglages au personnel d'un centre de service ou d'un atelier d'entretien autorisé n'utilisant que des pièces de rechange identiques.

### Accessoires

Une gamme d'accessoires Mouse® est offerte et vendue séparément. La gamme offerte peut varier selon le détaillant. Remarque : utiliser uniquement le papier abrasif perforé conforme au motif de la semelle de la ponceuse. Le papier abrasif non perforé ne permettra pas l'aspiration de la poussière dans le compartiment à poussière.

Le tampon en Velcro™ et les socles individuels sont des pièces remplaçables. Communiquer avec le centre de service de la région lorsque ces pièces sont usées. Pour obtenir de plus amples renseignements, composer le numéro suivant : **1 (800) 544-6986.**

**⚠ AVERTISSEMENT :** L'utilisation de tout accessoire non recommandé pour l'outil peut être dangereuse.

# MANUAL DE INSTRUCCIONES DE LIJARDORA MOUSE

Gracias por elegir Black & Decker!  
Visite  
[www.BlackandDecker.com/NewOwner](http://www.BlackandDecker.com/NewOwner)  
para registrar su nuevo producto.

## LEA EL MANUAL ANTES DE DEVOLVER ESTE PRODUCTO POR CUALQUIER MOTIVO:

Si tiene una consulta o algún inconveniente con su producto Black & Decker, visite

[HTTP://WWW.BLACKANDDECKER.COM/INSTANTANSWERS](http://www.BLACKANDDECKER.COM/INSTANTANSWERS)

para obtener respuestas instantáneas las 24 horas del día.

Si no encuentra la respuesta o no tiene acceso a Internet, llame al 1-800-544-6986 de  
lunes a viernes de 8 a.m. a 5 p.m. hora del Este para hablar con un agente.

Cuando llame, tenga a mano el número de catálogo.

## INFORMACIÓN IMPORTANTE QUE USTED DEBE CONOCER:

• No presione hacia abajo —deje que la lijadora realice el trabajo.

• No se recomienda utilizar este producto en muros de mampostería de gran extensión.

## CONSERVE ESTE MANUAL PARA FUTURAS CONSULTAS.

### Advertencias generales de seguridad para herramientas eléctricas

**⚠️ ADVERTENCIA:** Lea todas las advertencias de seguridad e instrucciones. El incumplimiento de las advertencias e instrucciones puede provocar descargas eléctricas, incendios o lesiones graves.

#### Conserve todas las advertencias e instrucciones para futuras consultas.

El término "herramienta eléctrica" incluido en las advertencias hace referencia a las herramientas eléctricas operadas con corriente (con cable eléctrico) o a las herramientas eléctricas operadas con baterías (inalámbricas).

#### 1) Seguridad en el área de trabajo

- Mantenga el área de trabajo limpia y bien iluminada.** Las áreas abarrotadas y oscuras propician accidentes.
- No opere herramientas eléctricas en atmósferas explosivas, como ambientes donde se encuentran líquidos, gases o polvo inflamables.** Las herramientas eléctricas originan chispas que pueden encender el polvo o los vapores.
- Mantenga a los niños y espectadores alejados de la herramienta eléctrica en funcionamiento.** Las distracciones pueden provocar la pérdida de control.

#### 2) Seguridad eléctrica

- Los enchufes de la herramienta eléctrica deben adaptarse al tomacorriente. Nunca modifique el enchufe de ninguna manera. No utilice ningún enchufe adaptador con herramientas eléctricas con conexión a tierra.** Los enchufes no modificados y que se adaptan a los tomacorrientes reducirán el riesgo de descarga eléctrica.
- Evite el contacto corporal con superficies puestas a tierra, como por ejemplo tuberías, radiadores, rangos y refrigeradores.** Existe mayor riesgo de descarga eléctrica si su cuerpo está puesto a tierra.
- No exponga las herramientas eléctricas a la lluvia o a condiciones de humedad.** Si ingresa agua a una herramienta eléctrica, aumentará el riesgo de descarga eléctrica.
- No maltrate al cable. Nunca utilice el cable para transportar, tirar o desenchufar la herramienta eléctrica. Mantenga el cable lejos del calor, aceite, bordes afilados o piezas móviles.** Los cables dañados o enredados aumentan el riesgo de descarga eléctrica.
- Al operar una herramienta eléctrica en el exterior, utilice un cable prolongador adecuado para tal uso.** Utilice un cable adecuado para uso en exteriores a fin de reducir el riesgo de descarga eléctrica.
- Si el uso de una herramienta eléctrica en un lugar húmedo es imposible de evitar, utilice un suministro protegido con un dispositivo de corriente residual (RCD).** El uso de un RCD reduce el riesgo de descargas eléctricas.

#### 3) Seguridad personal

- Permanezca alerta, controle lo que está haciendo y utilice el sentido común cuando emplee una herramienta eléctrica.** No utilice una herramienta eléctrica si está cansado o bajo el efecto de drogas, alcohol o medicamentos. Un momento de descuido mientras se opera una herramienta eléctrica puede provocar lesiones personales graves.
- Utilice equipos de protección personal. Siempre utilice protección para los ojos.** En las condiciones adecuadas, el uso de equipos de protección, como máscaras para polvo, calzado de seguridad antideslizante, cascos o protección auditiva, reducirá las lesiones personales.
- Evite el encendido por accidente. Asegúrese de que el interruptor esté en la posición de apagado antes de conectarlo a la fuente de energía o paquete de baterías, o antes de levantar o transportar la herramienta.** Transportar herramientas eléctricas con el dedo apoyado en el interruptor o enchufar herramientas eléctricas con el interruptor en la posición de encendido puede propiciar accidentes.
- Retire las clavijas de ajuste o llaves de tuercas antes de encender la herramienta eléctrica.** Una llave de tuercas o una clavija de ajuste que se deje conectada a una pieza giratoria de la herramienta eléctrica pueden provocar lesiones personales.
- No se estire. Conserve el equilibrio adecuado y manténgase parado correctamente en todo momento.** Esto permite un mejor control de la herramienta eléctrica en situaciones inesperadas.
- Use la vestimenta adecuada. No use ropas holgadas ni joyas. Mantenga el cabello, la ropa y los guantes alejados de las piezas en movimiento.** Las ropas holgadas, las joyas o el cabello largo pueden quedar atrapados en las piezas en movimiento.
- Si se suministran dispositivos para la conexión de accesorios con fines de recolección y extracción de polvo, asegúrese de que estén conectados y que se utilicen correctamente.** El uso de dispositivos de recolección de polvo puede reducir los peligros relacionados con el polvo.

#### 4) Uso y mantenimiento de la herramienta eléctrica

- No fuerce la herramienta eléctrica. Utilice la herramienta eléctrica correcta para el trabajo que realizará.** La herramienta eléctrica correcta hará el trabajo mejor y más seguro a la velocidad para la que fue diseñada.
- No utilice la herramienta eléctrica si no puede encenderla o apagarla con el interruptor.** Toda herramienta eléctrica que no puede ser controlada mediante el interruptor es peligrosa y debe ser reparada.
- Desconecte el enchufe de la fuente de energía y/o el paquete de baterías de la herramienta eléctrica antes de realizar ajustes, cambiar accesorios o almacenar herramientas eléctricas.** Estas medidas de seguridad preventivas reducen el riesgo de encender la herramienta eléctrica en forma accidental.
- Guarde las herramientas eléctricas que no están en uso fuera del alcance de los niños y no permite que otras personas no familiarizadas con ella o con estas instrucciones operen la herramienta.** Las herramientas eléctricas son peligrosas en las manos de usuarios no entrenados.

## DÉPANNAGE

### Problème

• L'appareil refuse de démarrer.

### Cause possible

• Cordon d'alimentation non branché.  
• Le fusible du circuit est grillé.

### Solution possible

• Brancher l'outil dans une prise qui fonctionne.  
• Remplacer le fusible du circuit. (Si le produit fait griller de façon répétée le fusible du circuit, arrêter immédiatement d'utiliser le produit et le faire réparer dans un centre de réparation Black & Decker ou un centre de réparation autorisé.)  
• Remettre le disjoncteur à zéro. (Si le produit fait déclencher de façon répétée le disjoncteur, arrêter immédiatement d'utiliser le produit et le faire réparer dans un centre de réparation Black & Decker ou un centre de réparation autorisé.)  
• Faire remplacer le cordon ou l'interrupteur au centre de réparation Black & Decker ou à un centre de réparation autorisé.  
• Utiliser le papier abrasif Mouse® perforé selon le motif approprié.

• Le disjoncteur est déclenché.

• Le cordon d'alimentation ou la prise de courant est endommagé(e).

• La poussière n'est pas aspirée.

• Les trous du papier abrasif ne sont pas alignés.

Pour obtenir de l'aide avec l'outil, consulter notre site Web [www.blackanddecker.com](http://www.blackanddecker.com) pour l'emplacement du centre de réparation le plus près ou communiquer avec l'assistance **BLACK & DECKER** au **1-800-544-6986**.

## Matrice utilisation - accessoire

### ACCESSOIRE

PAPIER ABRASIF DE GRANULOSITÉ MOYENNE

PAPIER ABRASIF DE GRANULOSITÉ FINE  
PAPIER ABRASIF DE GRANULOSITÉ EXTRAFINE

POINTES ABRASIVES DE DÉTAIL

LAINE À POLIR OU À DÉCAPER 10T

LAINE À POLIR OU À DÉCAPER 4 OT

TAMPON EN CAOUTCHOUC MOUSSE GRIS  
TAMPON NON TISSÉ BLANC  
TAMPON NON TISSÉ ROUGE

### UTILISATIONS RECOMMANDÉES

ENLÈVEMENT DE PEINTURE, VERNIS ET ROUILLE

FINITION DES SURFACES  
PONÇAGE ENTRE LES COUCHES DE PEINTURE OU DE VERNIS  
COINS ET ENDOITS D'ACCÈS DIFFICILE

POLISSAGE DES MÉTAUX / DÉCAPAGE DE VERNIS OU D'URÉTHANE

POLISSAGE DE FINITION SUR PEINTURE, VERNIS OU URÉTHANE  
ENDUIT OU ENLÈVEMENT DE POLI  
RÉCURAGE LÉGER  
RÉCURAGE RIGOUREUX / ENLÈVEMENT DE LA ROUILLE

Les tampons décrits ci-dessous pourraient être offerts en trousse chez les détaillants revendant les produits Mouse®. Pour obtenir de plus amples renseignements, composer le numéro suivant :  
**1 (800) 544-6986.**

## Renseignements relatifs au service

Black & Decker exploite un réseau complet de centres de service et d'ateliers d'entretien autorisés par toute l'Amérique du Nord. Le personnel de tous les centres de service Black & Decker a reçu la formation voulue pour assurer l'entretien efficace et fiable des outils électriques.

Pour obtenir des renseignements d'ordre technique, des conseils relatifs aux réparations ou des pièces de rechange d'origine, communiquer avec le centre de service Black & Decker de la région.

On peut trouver l'adresse du centre de service de la région dans l'annuaire des Pages Jaunes à la rubrique "Outils électriques" ou en composant le numéro suivant :

**1 (800) 544-6986.**

## Garantie complète de deux ans pour utilisation domestique

Black & Decker garantit le produit pour une période de deux ans contre les vices de matière ou de fabrication. Le produit défectueux sera réparé ou remplacé sans frais conformément à l'une des conditions suivantes.

Pour échanger l'outil, il suffit de le retourner au détaillant (si le détaillant participe au programme d'échange rapide Black & Decker). Le retour doit être effectué dans les délais impartis par la politique de retour du détaillant (habituellement entre 30 et 90 jours suivant la date d'achat). Le détaillant peut exiger une preuve d'achat. Prière de vérifier la politique de retour du détaillant au-delà des délais impartis.

On peut également retourner l'outil (port payé) à un centre de service Black & Decker ou à tout autre atelier d'entretien accrédité pour y être remplacé ou réparé, à notre gré. On peut exiger une preuve d'achat. Les adresses des centres de service Black & Decker se trouvent à la rubrique "Outils électriques" des Pages Jaunes.

La présente garantie ne vaut pas pour les accessoires. Les modalités de la présente garantie donnent des droits légaux spécifiques. L'utilisateur peut également se prévaloir d'autres droits selon l'état ou la province qu'il habite. Pour obtenir de plus amples renseignements, communiquer avec le directeur du centre de service Black & Decker de la région. Le produit n'est pas conçu pour une utilisation commerciale.

**REMPLACEMENT GRATUIT DE L'ÉTIQUETTE D'AVERTISSEMENT :** En cas de perte ou d'endommagement des étiquettes d'avertissement, composer le **1 800 544-6986** afin d'en obtenir de nouvelles sans frais.

Imported by / Importé par  
Black & Decker Canada Inc.  
100 Central Ave.  
Brockville (Ontario) K6V 5W6

Voir 'Outils électriques'  
– Pages Jaunes –  
pour Service et ventes



- e) **Mantenimiento de las herramientas eléctricas.** Controle que no haya piezas móviles mal alineadas o trabadas, piezas rotas y toda otra situación que pueda afectar el funcionamiento de las herramientas eléctricas. Si encuentra daños, haga reparar la herramienta eléctrica antes de utilizarla. Se producen muchos accidentes a causa de las herramientas eléctricas que carecen de un mantenimiento adecuado.
- f) **Mantenga las herramientas de corte afiladas y limpias.** Las herramientas de corte con mantenimiento adecuado, con los bordes de corte afilados son menos propensas a trabarse y son más fáciles de controlar.
- g) **Utilice la herramienta eléctrica, los accesorios y las brocas de la herramienta, etc. de acuerdo con estas instrucciones y teniendo en cuenta las condiciones de trabajo y el trabajo que debe realizarse.** El uso de la herramienta eléctrica para operaciones diferentes de aquéllas para las que fue diseñada podría originar una situación peligrosa.

#### 5) Uso y mantenimiento de la herramienta con baterías

- a) **Recargue solamente con el cargador especificado por el fabricante.** Un cargador adecuado para un tipo de paquete de baterías puede originar riesgo de incendio si se utiliza con otro paquete de baterías.
- b) **Utilice herramientas eléctricas sólo con paquetes de baterías específicamente diseñados.** El uso de cualquier otro paquete de baterías puede producir riesgo de incendio y lesiones.
- c) **Cuando no utilice el paquete de baterías, manténgalo lejos de otros objetos metálicos como sujetapapeles, monedas, llaves, clavos, tornillos u otros objetos metálicos pequeños que puedan realizar una conexión desde un terminal al otro.** Los cortocircuitos en los terminales de la batería pueden provocar quemaduras o incendio.
- d) **En condiciones abusivas, el líquido puede ser expulsado de la batería. Evite su contacto. Si entra en contacto accidentalmente, enjuague con agua. Si el líquido entra en contacto con sus ojos, busque atención médica.** El líquido expulsado de la batería puede provocar irritación o quemaduras.

#### 6) Mantenimiento

- a) **Haga que una persona de reparaciones calificada realice el mantenimiento de su herramienta eléctrica y utilice piezas de repuesto idénticas solamente.** Esto garantizará la seguridad de la herramienta eléctrica.

### Normas específicas de seguridad

- Sujete la herramienta eléctrica por las superficies aislantes cuando realice una operación en que la herramienta pueda hacer contacto con cableados ocultos. Al hacer contacto con un cable "vivo", las partes metálicas de la herramienta se vuelven "vivas" y pueden originar un choque al operador.

**⚠ AVERTISSEMENT : USE SIEMPRE LENTES DE SEGURIDAD. Los anteojos de uso diario NO son lentes de seguridad. Utilice también máscaras faciales o para polvo si el corte produce polvillo. UTILICE SIEMPRE EQUIPOS DE SEGURIDAD CERTIFICADOS:**

- Protección para los ojos según la norma ANSI Z87.1 (CAN/CSA Z94.3)
- Protección auditiva según la norma ANSI S12.6 (S3.19)
- Protección respiratoria según las normas NIOSH/OSHA/MSHA

- No se recomienda el lijado de pintura con base de plomo. Ver Precauciones para el lijado de pintura para mayor información antes de lijar pintura.
- Limpie su herramienta periódicamente.

### PAUTAS DE SEGURIDAD/DEFINICIONES

Es importante que lea y comprenda este manual. La información que contiene se relaciona con la protección de SU SEGURIDAD y la PREVENCIÓN DE PROBLEMAS. Los símbolos que siguen se utilizan para ayudarlo a reconocer esta información.

**⚠ PELIGRO:** indica una situación de peligro inminente que, si no se evita, provocará la muerte o lesiones graves.

**⚠ ADVERTENCIA:** indica una situación de peligro potencial que, si no se evita, provocará la muerte o lesiones graves.

**⚠ PRECAUCIÓN:** indica una situación de peligro potencial que, si no se evita, provocará lesiones leves o moderadas.

**PRECAUCIÓN:** utilizado sin el símbolo de alerta de seguridad indica

#### DESCRIPCIÓN DE LAS FUNCIONES

- Interruptor en la posición de "ENCENDIDO"
- Interruptor en la posición de "APAGADO"
- Depósito de aserrín
- Punta de la almohadilla desmontable
- Almohadilla de lijado tipo velcro

#### Uso de cables de extensión

Asegúrese que el cable de extensión esté en buenas condiciones antes de usarlo. Utilice siempre extensiones con el calibre adecuado con su herramienta – esto es, el calibre apropiado para diferentes longitudes del cable, con la capacidad suficiente para soportar la corriente que su herramienta necesita. El uso de un cable con calibre insuficiente causará una caída en el voltaje de la línea resultando en pérdida de potencia y sobrecalentamiento. Consulte la tabla que sigue para conocer los calibre del cable.

| Volts    | Calibre mínimo para cordones de extensión |                   |               |                |    |    |
|----------|---|-------------------|---------------|----------------|----|----|
|          | Longitud total del cordón en metros       |                   |               |                |    |    |
| 120V     | 0 - 7.62                                  | 7.63 - 15.24      | 15.25 - 30.48 | 30.49 - 45.72  |    |    |
| 240V     | 0 - 15.24                                 | 15.25 - 30.48     | 30.49 - 60.96 | 60.97 - 91.44  |    |    |
| AMPERAJE |   |                   |               |                |    |    |
| Más de   | No más de                                 | Calbre del cordón |               |                |    |    |
| 0        | - 6                                       | 18                | 16            | 16             | 14 | 14 |
| 6        | - 10                                      | 18                | 16            | 14             | 14 | 12 |
| 10       | - 12                                      | 16                | 16            | 14             | 14 | 12 |
| 12       | - 16                                      | 14                | 12            | No Recomendado |    |    |

La etiqueta de su herramienta puede incluir los siguientes símbolos.

V .....voltios

A .....amperios

Hz .....hertz

W .....vatios

min .....minutos

~ .....corriente alterna

==== .....corriente continua

n<sub>0</sub> .....no velocidad sin carga

☐ .....Construcción de clase II

⊕ .....terminal a tierra

⚠ .....símbolo de alerta de seguridad

.../min .....revoluciones o reciprocidad por minuto

**⚠ ADVERTENCIA: parte del polvo producido por las herramientas eléctricas al lijar, aserrar, esmerilar, taladrar y realizar otras actividades de la construcción, contiene productos químicos reconocidos por el Estado de California como causantes de cáncer, defectos de nacimiento u otros problemas reproductivos. Algunos de estos productos químicos son:**

- el plomo de las pinturas de base plomo,
- la sílice cristalina de ladrillos, el cemento y otros productos de mampostería, y
- el arsénico y el cromo de la madera con tratamiento químico.

El riesgo derivado de estas exposiciones varía según la frecuencia con la que se realice este tipo de trabajo. Para reducir la exposición a estos productos químicos: trabaje en áreas bien ventiladas y trabaje con equipos de seguridad aprobados, como las máscaras para polvo especialmente diseñadas para filtrar las partículas microscópicas.

- Evite el contacto prolongado con el polvo procedente del lijado, serrado, esmerinado y taladrado eléctricos, así como de otras actividades del sector de la construcción. Lleve ropa protectora y lave con agua y jabón las zonas expuestas. Si permite que el polvo se introduzca en la boca u ojos o quede sobre la piel, puede favorecer la absorción de productos químicos peligrosos.

**⚠ ADVERTENCIA: El uso de esta herramienta puede generar o dispersar polvo lo cual puede causar lesiones respiratorias serias y permanentes y otros tipos de lesión.** Siempre use protección respiratoria aprobada por NIOSH/OSHA para la exposición al polvo. Dirija las partículas en dirección opuesta a su cara y cuerpo.

#### ⚠ Advertencias e instrucciones de seguridad: Lijadoras

- UTILICE SIEMPRE PROTECCIÓN RESPIRATORIA Y VISUAL ADECUADA.

- Limpie su herramienta periódicamente.

#### ⚠ Otras advertencias e instrucciones de seguridad importantes

#### Lijado

##### Lijado de pinturas con base de plomo

NO SE RECOMIENDA el lijado de pinturas con base de plomo debido a la dificultad para controlar el polvo contaminado. El mayor peligro de envenenamiento por plomo es para niños y mujeres embarazadas.

Ya que es difícil identificar si una pintura contiene plomo o no sin efectuar un análisis químico, recomendamos que tenga en cuenta las siguientes precauciones cuando lije cualquier tipo de pintura:

##### Seguridad personal

- No permita que entren al área de trabajo niños ni mujeres embarazadas cuando lije pintura hasta que haya terminado de asear el lugar.
- Se recomienda el uso de máscaras o respiradores para todas las personas que entren al área de trabajo. El filtro se debe reemplazar diariamente o cuando el usuario tenga dificultad para respirar.

**NOTA:** Sólo deben utilizarse mascarar adecuadas para trabajo con polvo y vapores de pintura. Las mascarar ordinarias para pintura no ofrecen esta protección. Vea a su distribuidor de herramienta local para conseguir la máscara adecuada.

- NO COMA, BEBA O FUME en la zona de trabajo para evitar ingerir partículas de pintura contaminadas. Los usuarios deberán lavarse y limpiarse ANTES de comer, beber o fumar. No deben dejarse artículos para comer beber o fumar en el área de trabajo donde el polvo se asentaría en ellos.

##### Seguridad ambiental

- La pintura debe removerse de tal manera que se minimice la cantidad generada de polvo.
- Se deben sellar las áreas en que se remueve pintura con láminas de plástico de 4 mils. de espesor.
- El lijado debe hacerse en tal forma que se reduzca el desalojo de pintura fuera de la zona de trabajo.

##### limpieza y desecho

- Todas las superficies en el área de trabajo deben ser aspiradas y limpiadas a conciencia diariamente el tiempo que dure el proyecto de lijado. Las bolsas filtro de las aspiradoras deben cambiarse frecuentemente.
- Las láminas de plástico deben recogerse y desecharse con cualquier resto de pintura. Deben depositarse en recipientes sellados y deben desecharse a través de los procedimientos de recolección de basura normales. Durante la limpieza, niños y mujeres embarazadas deben permanecer alejados de la zona de trabajo inmediata.
- Todo tipo de juguetes, mobiliario lavable y utensilios usados por niños deben lavarse a conciencia antes de volver a utilizarse.

#### Motor

Asegúrese que su alimentación de corriente concuerde con la señalada en la placa de identificación. 120 V~ significa que su sierra funciona con corriente doméstica estándar a 60 Hz. No utilice herramientas para corriente alterna con corriente continua. Una especificación de 120 V AC/DC significa que su herramienta funcionará con corriente alterna estándar a 60 Hz o con corriente continua. esta información está impresa en la placa de identificación. Voltajes menores causarán pérdida de potencia y pueden producir sobrecalentamiento. todas las herramientas Black & Decker se prueban en la fábrica; si esta herramienta no funciona, revise la alimentación de corriente.

#### Instrucciones de operación

**⚠ ADVERTENCIA:** Para evitar el riesgo de lesiones personales graves, lea, comprenda y siga todas las advertencias e instrucciones importantes de seguridad antes de emplear esta herramienta.

#### Interruptor

Para ENCENDER la herramienta, sujétela como se observa en la **Figura 1** y oprima la parte del interruptor marcada "I". Para APAGAR la herramienta, oprima la parte del interruptor marcada "O".

#### Operación (Fig. 1)

Sujete el producto como se observa en la **Figura 1** y enciéndalo. **NOTA:** No apoye los dedos sobre la platina durante el uso. Haga movimientos grandes, barriendo la superficie, dejando que la lijadora haga el trabajo. Una presión ligera es todo lo que se requiere para lijar, pulir o tallar. La presión excesiva hará más lento el trabajo y producirá resultados con calidad inferior. Revise su trabajo con frecuencia. El producto es capaz de remover material rápidamente.

**⚠ PRECAUCION:** Bajo ninguna circunstancia utilice este producto cerca de agua.

**⚠ ADVERTENCIA:** Desconecte siempre el producto de la toma de corriente antes de cualquiera de las siguientes operaciones.

#### Lijado de detalle

Su herramienta viene equipada con una base en forma de lágrima para usar en superficies planas de gran tamaño y en sitios de difícil acceso o esquinas.

Las puntas de almohadilla podrían desgastarse irregularmente, dependiendo del uso. Las almohadillas están diseñadas para poder intercambiar o girar la punta adiamantada.

#### Montaje del papel de lija (Fig. 2)

- Desprenda las dos puntas adiamantadas del papel de lija.
- Sujete la herramienta con la base para lijar hacia arriba.
- Coloque el papel de lija sobre la base.
- La punta adiamantada se puede poner al revés y reemplazarse si está desgastada.
- Cuando la parte frontal de la punta está desgastada, despréndala de la hoja, inviértala y colóquela otra vez sobre la base para lijar aplicando presión.
- Cuando toda la punta se haya desgastado, quítela de la base y monte una punta nueva.

#### Punta de la base para lijar ( fig. 3)

Cuando la base para lijar está desgastada se puede poner al revés o reemplazar.

- Invierta o reemplace la parte desgastada.

#### Dispositivo para detalles finos (Fig. 4)

El dispositivo para detalles finos se usa para lijar detalles delicados.

- Retire el tornillo.
- Retire el soporte romboidal de la punta de la base lijadora.
- Coloque el dispositivo para detalles finos en la base lijadora.
- Coloque y ajuste el tornillo.
- Alinee el papel de lija con el accesorio manual.

#### Dispositivo sujetador para contornos (Figura 5)

- Las piezas para lijadoras de contornos son para lijar superficies curvas y estrías.
- Retire el tornillo.
- Retire el soporte romboidal de la punta de la base lijadora.
- Coloque el sujetador para contornos en la base lijadora.
- Coloque y ajuste el tornillo.

#### Cómo colocar y retirar una pieza para contornos (Figura 6 y 7)

- Elija el perfil de piezas para lijadoras de contornos más adecuado para su aplicación.
- Coloque un extremo de la pieza de lijado de contorno dentro de la escotadura ubicada en el extremo delantero del soporte.
- Empuje el otro extremo de la pieza para lijadoras de contornos hasta que haga un sonido seco en el lugar.
- Para retirar la pieza para lijadoras de contornos, empújela hacia adelante y luego empuje el extremo trasero hacia afuera del sujetador de perfiles (figura 7).**

#### Cómo colocar una hoja de lija en una pieza para lijadoras de contornos (Figura 8)

- Alinee la hoja de lija a la pieza para lijadora de contornos.
- Presione la hoja de lija en la pieza para lijadora de contornos, asegurándose de que la hoja de lija se adapte a la forma del perfil.

## Extracción del polvo (figura 9)

### Para vaciar el depósito de aserrín:

- El depósito de aserrín debe vaciarse cada 10 minutos de lijado.
- Sostenga la lijadora, tome el depósito de recolección de polvo y hálelo para extraerlo de la lijadora.
- Retire la tapa del depósito y sacuda o golpee suavemente el depósito y la tapa para vaciarlo.
- Vuelva a colocar la tapa y empuje con firmeza el depósito para insertarlo nuevamente en la lijadora.

⚠ **PRECAUCIÓN: Peligro para las vías respiratorias.** Nunca opere esta herramienta para lijar madera sin que el depósito de aserrín esté en su lugar. El polvo que se produce al lijar puede crear un peligro de inhalación.

⚠ **ADVERTENCIA: Riesgo de incendio.** El polvo acumulado que se produce al lijar los revestimientos de las superficies (poliuretano, aceite de lino, etc.) puede iniciar una combustión espontánea dentro del depósito de aserrín de la lijadora o en algún otro lugar y ocasionar un incendio. Para reducir este riesgo, vacíe el depósito regularmente y siga estrictamente las instrucciones del manual de la lijadora y del fabricante del revestimiento.

⚠ **ADVERTENCIA: Riesgo de incendio.** Al trabajar sobre superficies de metal, no utilice el depósito de aserrín ni una aspiradora debido a que se originan chispas. Utilice gafas de seguridad y una máscara para polvo. Debido al riesgo de incendio, no utilice la lijadora para lijar superficies de magnesio. No utilice la herramienta para lijar superficies húmedas.

### Mantenimiento

Utilice únicamente jabón suave y un trapo para limpiar la herramienta. Nunca permita que se introduzcan líquidos en la herramienta; nunca sumerja ninguna parte de la herramienta en ningún líquido.

**IMPORTANTE:** Para garantizar la SEGURIDAD y la CONFIABILIDAD del producto, las reparaciones, el mantenimiento y los ajustes deben ser realizados por centros de servicio

### DETECCIÓN DE PROBLEMAS

| Problema                                | Causa posible   | Solución posible  |
|---|---|---|
| • La unidad no enciende.                | • Cable desenchufado.<br><br>• Fusible quemado.       | • Enchufe el cargador en un tomacorriente que funcione.<br>• Reemplace el fusible quemado. (Si repetidamente el producto hace que el fusible del circuito se quemé, deje de utilizarlo inmediatamente y haga que le realicen mantenimiento en un centro de mantenimiento Black & Decker o en un centro de servicio autorizado.) |
|   | • El interruptor automático está activado.            | • Reinicie el interruptor automático. (Si repetidamente el producto hace que el fusible del circuito se quemé, deje de utilizarlo inmediatamente y haga que le realicen mantenimiento en un centro de mantenimiento Black & Decker o en un centro de servicio autorizado.)  |
|   | • Interruptor o cable dañado.                         | • Haga reparar el cable o el interruptor en un centro de mantenimiento Black & Decker o en un centro de mantenimiento autorizado.   |
| • La herramienta no recolecta el polvo. | • Los orificios del papel de lija no están alineados. | • Utilice papel de lija Mouse® con la configuración de orificios adecuada.  |

Para conocer la ubicación del centro de mantenimiento más cercano a fin de recibir ayuda con su producto, visite nuestro sitio Web [www.blackanddecker.com](http://www.blackanddecker.com) o llame a la línea de ayuda BLACK & DECKER al **55-5326-7100**

autorizados u otras organizaciones de servicio calificadas, que siempre utilicen partes de repuesto idénticas.

### Accesorios

Hay una variedad de accesorios Mouse® disponibles a un costo adicional. Los listados pueden variar según el comercio minorista. Nota: Utilice únicamente papel de lija con orificios configurados de la misma forma que en la base de la lijadora. El papel de lija sin orificios impedirá que el polvo ingrese al depósito.

La base de Velcro® y las bases individuales son partes reemplazables. Si se desgastan, contacte con el centro de servicio de su localidad. Para mayor información llame al: **1-800-544-6986**.

⚠ **ADVERTENCIA:** El uso de cualquier accesorio no recomendado para emplearse con esta herramienta puede ser peligroso.

### Aplicación / Matriz de accesorios

| ACCESORIO                               | APLICACIONES RECOMENDADAS / USOS                        |
|---|---|
| LIJA MEDIANA                            | PINTURA / BARNIZ / REMOCIÓN DE ÓXIDO                    |
| LIJA FINA                               | ACABADO DE SUPERFICIES                                  |
| LIJA EXTRA FINA                         | LIJADO ENTRE CAPAS DE PINTURA O BARNIZ                  |
| PUNTAS PARA LIJADO DE DETALLE           | ESQUINAS / SITIOS DE DIFÍCIL ACCESO                     |
| FIBRA PARA PULIR / DESPINTAR GRIS CLARO | PULIR METALES / REMOVER BARNIZ O URETANO                |
| FIBRA PARA PULIR GRIS OSCURO            | PULIDO FINO, ACABADO SATÍN O PINTURA / BARNIZ / URETANO |
| ALMOHADILLA DE ESPONJA GRIS             | APLICAR Y REMOVER PULIMENTO                             |
| ALMOHADILLA BLANCA NO TEJIDA            | TALLADO LIGERO  |
| ALMOHADILLA ROJA NO TEJIDA              | TALLADO PESADO / REMOCIÓN DE ÓXIDO                      |

Las almohadillas descritas pueden venir en juegos disponibles donde se venden productos Mouse®. Para mayor información llame al: **1-800-544-6986**.

### Información de servicio

Todos los Centros de Servicio Black & Decker están dotados de personal capacitado para proporcionar un servicio técnico eficiente y fiable a las máquinas herramientas de nuestros clientes. Contacte al local Black & Decker más cercano para obtener consejos técnicos, reparaciones o repuestos de fábrica originales. Para encontrar el local de servicio más cercano, busque en las páginas amarillas bajo "Herramientas eléctricas", llame al **(55)5326-7100** o visite nuestra página web [www.blackanddecker.com](http://www.blackanddecker.com)

### Garantía completa de dos años para uso en el hogar

Black & Decker (EE.UU.) Inc. ofrece una garantía de dos años por cualquier defecto del material o de fabricación de este producto. El producto defectuoso se reparará o reemplazará sin costo alguno de dos maneras.

La primera opción, el reemplazo, es devolver el producto al comercio donde se lo adquirió (siempre y cuando se trate de un comercio participante). Las devoluciones deben realizarse conforme a la política de devolución del comercio (generalmente, entre 30 y 90 días posteriores a la venta). Le pueden solicitar comprobante de compra. Consulte en el comercio acerca de la política especial sobre devoluciones una vez superado el plazo establecido.

La segunda opción es llevar o enviar el producto (con flete pago) a un Centro de servicio autorizado propio de Black & Decker para su reparación o reemplazo según nuestro criterio. Le pueden solicitar comprobante de compra. Encontrará una lista de los Centros de servicio autorizados y de propiedad de Black & Decker bajo "Herramientas eléctricas (Tools-Electric)" en las páginas amarillas de la guía telefónica.

Esta garantía no se extiende a los accesorios. Esta garantía le concede derechos legales específicos; pueden variar según el estado. Ante cualquier inquietud, comuníquese con el Centro de servicio de Black & Decker más cercano.

Este producto no es para uso comercial.

### ESPECIFICACIONES

120V~ 55W 60Hz .5A

Para reparación y servicio de sus herramientas eléctricas, favor de dirigirse al Centro de Servicio más cercano:

#### CULIACAN, SIN

Av. Nicolás Bravo #1063 Sur  
(667) 7 12 42 11  
Col. Industrial Bravo

#### GUADALAJARA, JAL

Av. La Paz #1779  
(33) 3825 6978  
Col. Americana Sector Juarez

#### MEXICO, D.F.

Eje Central Lázaro Cardenas  
No. 18  
(55) 5588 9377  
Local D, Col. Obrera

#### MERIDA, YUC

Calle 63 #459-A  
(999) 928 5038  
Col. Centro

#### MONTERREY, N.L.

Av. Francisco I. Madero  
No.831  
(81) 8375 2313  
Col. Centro

#### PUEBLA, PUE

17 Norte #205  
(222) 246 3714  
Col. Centro

#### QUERETARO, QRO

Av. Madero 139 Pte.  
(442) 214 1660  
Col. Centro

#### SAN LUIS POTOSI, SLP

Av. Universidad 1525  
(444) 814 2383  
Col. San Luis

#### TORREON, COAH

Blvd. Independencia, 96 Pte.  
(871) 716 5265  
Col. Centro

#### VERACRUZ, VER

Prolongación Díaz Mirón #4280  
(229)921 7016  
Col. Remes

#### VILLAHERMOSA, TAB

Constitución 516-A  
(993) 312 5111  
Col. Centro

**PARA OTRAS LOCALIDADES LLAME AL: (55) 5326 7100**

Vea "Herramientas eléctricas (Tools-Electric)" – Páginas amarillas – para Servicio y ventas



BLACK & DECKER S.A. DE C.V.  
BOSQUES DE CIDROS ACCESO RADIATAS  
NO. 42  
COL. BOSQUES DE LAS LOMAS.  
05120 MÉXICO, D.F.  
TEL. 55-5326-7100

## Free Manuals Download Website

<http://myh66.com>

<http://usermanuals.us>

<http://www.somanuals.com>

<http://www.4manuals.cc>

<http://www.manual-lib.com>

<http://www.404manual.com>

<http://www.luxmanual.com>

<http://aubethermostatmanual.com>

Golf course search by state

<http://golfingnear.com>

Email search by domain

<http://emailbydomain.com>

Auto manuals search

<http://auto.somanuals.com>

TV manuals search

<http://tv.somanuals.com>