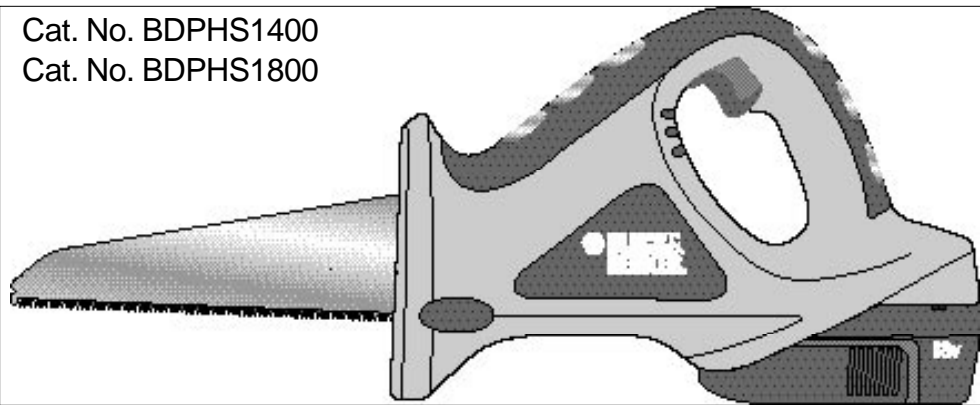




# 14.4 & 18 Volt Powered Handsaw

## INSTRUCTION MANUAL

Cat. No. BDPHS1400  
Cat. No. BDPHS1800



**BEFORE RETURNING THIS PRODUCT FOR ANY REASON PLEASE CALL 1-800-544-6986**

**IF YOU SHOULD HAVE A QUESTION OR EXPERIENCE A PROBLEM WITH YOUR BLACK & DECKER PRODUCT, CALL 1-800-544-6986**

BEFORE YOU CALL, HAVE THE FOLLOWING INFORMATION AVAILABLE, CATALOG No., TYPE No., AND DATE CODE (e.g. 0130M). IN MOST CASES, A BLACK & DECKER REPRESENTATIVE CAN RESOLVE YOUR PROBLEM OVER THE PHONE. IF YOU HAVE A SUGGESTION OR COMMENT, GIVE US A CALL. YOUR FEEDBACK IS VITAL TO BLACK & DECKER.

**SAVE THIS MANUAL FOR FUTURE REFERENCE. VEA EL ESPAÑOL EN LA CONTRAPORTADA.**

INSTRUCTIVO DE OPERACIÓN, CENTROS DE SERVICIO Y PÓLIZA DE GARANTÍA. **ADVERTENCIA:** LEÁSE ESTE INSTRUCTIVO ANTES DE USAR EL PRODUCTO.

CAT. NO. BDPHS1400, BDPHS1800 FORM NO. 5105119-02 Copyright © 2004 Black & Decker (MAR-04) Printed in China

### General Safety Rules - For All Battery Operated Tools

**WARNING! READ AND UNDERSTAND ALL INSTRUCTIONS.** Failure to follow all instructions listed below, may result in electric shock, fire and/or serious personal injury.

#### SAVE THESE INSTRUCTIONS

#### Work Area

- **Keep your work area clean and well lit.** Cluttered benches and dark areas invite accidents.
- **Do not operate power tools in explosive atmospheres, such as in the presence of flammable liquids, gases, or dust.** Power tools create sparks which may ignite the dust or fumes.
- **Keep bystanders, children, and visitors away while operating a power tool.** Distractions can cause you to lose control.

#### Electrical Safety

- **Do not abuse the cord.** Never use the cord to carry the tool. Keep cord away from heat, oil, sharp edges or moving parts. Replace damaged cords immediately. Damaged cords may create a fire.
- **A battery operated tool with integral batteries or a separate battery pack must be recharged only with the specified charger for the battery.** A charger that may be suitable for one type of battery may create a risk of fire when used with another battery.
- **Use battery operated tool only with specifically designated battery pack.** Use of any other batteries may create a risk of fire.

#### Personal Safety

- **Stay alert, watch what you are doing and use common sense when operating a power tool. Do not use tool while tired or under the influence of drugs, alcohol, or medication.** A moment of inattention while operating power tools may result in serious personal injury.
- **Dress properly. Do not wear loose clothing or jewelry. Contain long hair. Keep your hair, clothing, and gloves away from moving parts.** Loose clothes, jewelry, or long hair can be caught in moving parts. Air vents cover moving parts and should be avoided.
- **Avoid accidental starting. Be sure switch is in the locked or off position before inserting battery pack.** Carrying tools with your finger on the switch or inserting the battery pack into a tool with the switch on invites accidents.
- **Remove adjusting keys or wrenches before turning the tool on.** A wrench or a key that is left attached to a rotating part of the tool may result in personal injury.
- **Do not overreach. Keep proper footing and balance at all times.** Proper footing and balance enable better control of the tool in unexpected situations.
- **Use safety equipment. Always wear eye protection.** Dust mask, non-skid safety shoes, hard hat, or hearing protection must be used for appropriate conditions.

#### Tool Use and Care

- **Use clamps or other practical way to secure and support the workpiece to a stable platform.** Holding the work by hand or against your body is unstable and may lead to loss of control.
- **Do not force tool. Use the correct tool for your application.** The correct tool will do the job better and safer at the rate for which it is designed.
- **Do not use tool if switch does not turn it on or off.** A tool that cannot be controlled with the switch is dangerous and must be repaired.
- **Disconnect battery pack from tool or place the switch in the locked or off position before making any adjustments, changing accessories, or storing the tool.** Such preventative safety measures reduce the risk of starting the tool accidentally.
- **Store idle tools out of reach of children and other untrained persons.** Tools are dangerous in the hands of untrained users.
- **When battery pack is not in use, keep it away from other metal objects like: paper clips, coins, keys, nails, screws or other small metal objects that can make a connection from one terminal to another.** Shorting the battery terminals together may cause sparks, burns, or a fire.

- **Maintain tools with care. Keep cutting tools sharp and clean.** Properly maintained tools, with sharp cutting edge are less likely to bind and are easier to control.
- **Check for misalignment or binding of moving parts, breakage of parts, and any other condition that may affect the tool's operation. If damaged, have the tool serviced before using.** Many accidents are caused by poorly maintained tools.
- **Use only accessories that are recommended by the manufacturer for your model.** Accessories that may be suitable for one tool may create a risk of injury when used on another tool.

#### Service

- **Tool service must be performed only by qualified repair personnel.** Service or maintenance performed by unqualified personnel may result in a risk of injury.
- **When servicing a tool, use only identical replacement parts. Follow instructions in the Maintenance section of this manual.** Use of unauthorized parts or failure to follow Maintenance Instructions may create a risk of shock or injury.

#### Specific Safety Rules

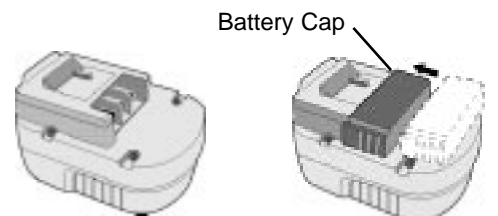
- **Hold tool by insulated gripping surfaces when performing an operation where the cutting tool may contact hidden wiring or its own cord.** Contact with a "live" wire will also make exposed metal parts of the tool "live" and shock the operator.
- **When working on a ladder or on scaffolding be sure to lay the tool down on its side when not in use.** Some tools with large battery packs will stand upright but may be easily knocked over.
- **WARNING: Some dust created by power sanding, sawing, grinding, drilling, and other construction activities contains chemicals known to cause cancer, birth defects or other reproductive harm.** Some examples of these chemicals are:
  - lead from lead-based paints,
  - crystalline silica from bricks and cement and other masonry products, and
  - arsenic and chromium from chemically-treated lumber (CCA).
 Your risk from these exposures varies, depending on how often you do this type of work. To reduce your exposure to these chemicals: work in a well ventilated area, and work with approved safety equipment, such as those dust masks that are specially designed to filter out microscopic particles.
- **Avoid prolonged contact with dust from power sanding, sawing, grinding, drilling, and other construction activities. Wear protective clothing and wash exposed areas with soap and water.** Allowing dust to get into your mouth, eyes, or lay on the skin may promote absorption of harmful chemicals.
- **WARNING: Use of this tool can generate and/or disperse dust, which may cause serious and permanent respiratory or other injury.** Always use NIOSH/OSHA approved respiratory protection appropriate for the dust exposure. Direct particles away from face and body.
- **CAUTION: Wear appropriate hearing protection during use.** Under some conditions and duration of use, noise from this product may contribute to hearing loss.
- **Do not operate this tool for long periods of time.** Vibration caused by the operating action of this tool may cause permanent injury to fingers, hands, and arms. Use gloves to provide extra cushion, take frequent rest periods, and limit daily time of use.

The label on your tool may include the following symbols.

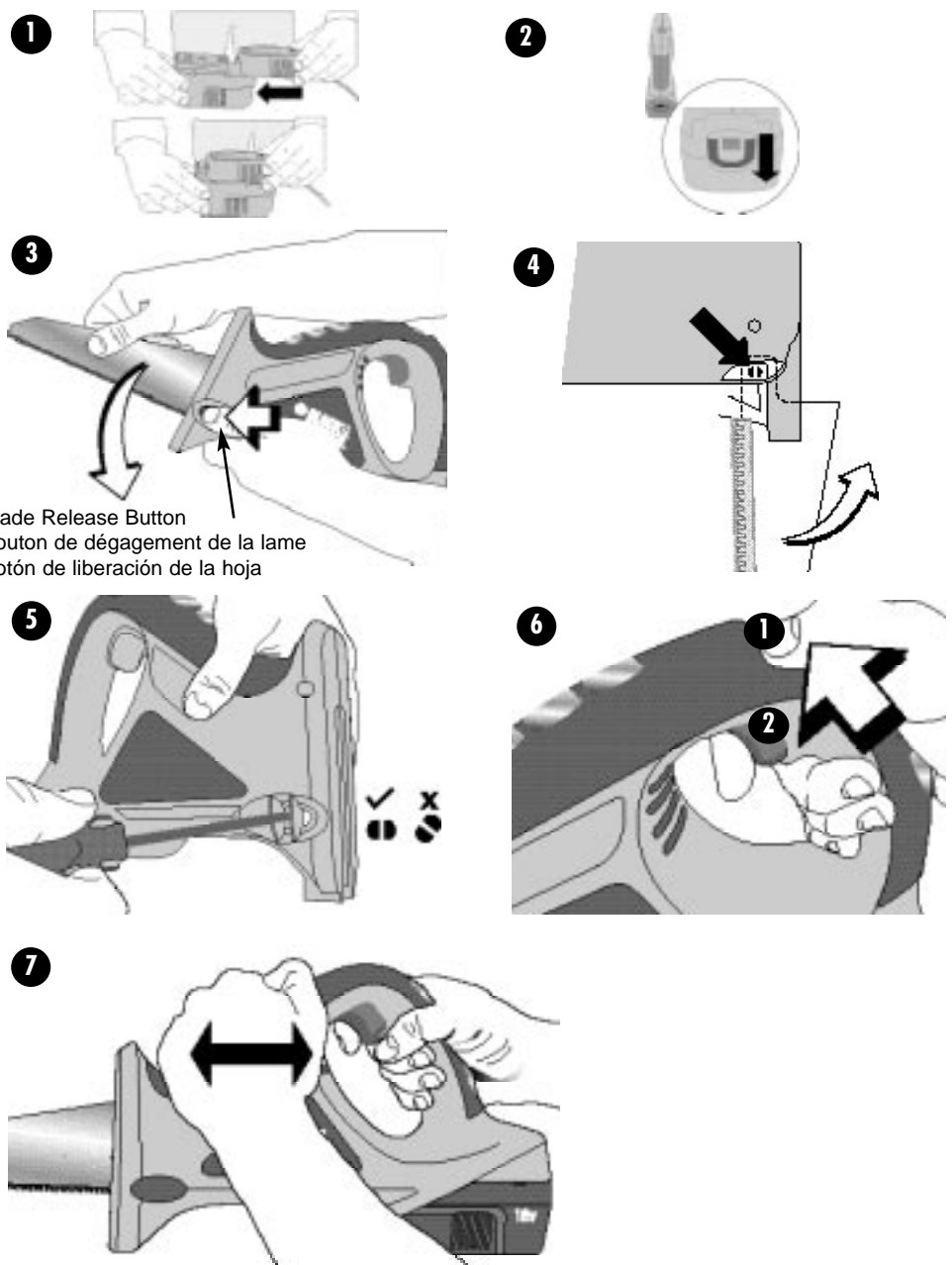
V .....	volts	A .....	amperes
Hz .....	hertz	W .....	watts
min .....	minutes	~ .....	alternating current
==== .....	direct current	n <sub>o</sub> .....	no load speed
☐ .....	Class II Construction	⊕ .....	earthing terminal
⚠ .....	safety alert symbol	.../min .....	revolutions or reciprocations per minute

#### Battery Cap Information

Battery storage and carrying caps are provided for use whenever the battery is out of the tool or charger. Remove cap before placing battery in charger or tool.



**WARNING!** Do not store or carry battery so that metal objects can contact exposed battery terminals. For example, do not place battery in aprons, pockets, tool boxes, product kit boxes, drawers, etc. with loose nails, screws, keys, etc. without battery cap. Without cap in place, battery could short circuit causing fire or burns or damage to battery.



## ⚠ Safety Warnings and Instructions: Charging the Battery Pack

1. This manual contains important safety and operating instructions.
2. Before using battery charger, read all instructions and cautionary markings on (1) battery charger, (2) battery, and (3) product using battery.
3. ⚠ **CAUTION:** To reduce the risk of injury, charge only Black & Decker Battery Packs. Other types of batteries may burst causing personal injury and damage.
4. Do not expose charger to rain or snow.
5. Use of an attachment not recommended or sold by Black & Decker may result in a risk of fire, electric shock, or injury to persons.
6. To reduce risk of damage to electric plug and cord, pull by plug rather than cord when disconnecting charger.
7. Make sure cord is located so that it will not be stepped on, tripped over, or otherwise subjected to damage or stress.
8. An extension cord should not be used unless absolutely necessary. Use of improper extension cord could result in a risk of fire, electric shock or electrocution.
  - a. Two-wire cords can be used with 2-wire or 3-wire extension cords. Only round jacketed extension cords should be used, and we recommend that they be listed by Underwriters Laboratories (U.L.). If the extension is to be used outside, the cord must be suitable for outdoor use. Any cord marked for outdoor use can also be used for indoor work. The letters "W" or "WA" on the cord jacket indicate that the cord is suitable for outdoor use.
  - b. An extension cord must have adequate wire size (AWG or American Wire Gauge) for safety, and to prevent loss of power and overheating. The smaller the gauge number of the wire, the greater the capacity of the cable; that is, 16 gauge has more capacity than 18 gauge. When using more than one extension to make up the total length, be sure each extension contains at least the minimum wire size.

CHART FOR MINIMUM WIRE SIZE (AWG) OF EXTENSION CORDS

### NAMEPLATE RATING AMPS – 0 – 10.0

Total Extension Cord Length (ft)	25	50	75	100	125	150
Wire Gauge	18	18	16	16	14	14

9. Use only the supplied charger when charging your battery pack. The use of any other charger could damage the battery pack or create a hazardous condition.
10. Use only one charger when charging.
11. Do not attempt to open the charger or the battery. There are no customer serviceable parts inside. Return to any authorized Black & Decker service center.
12. DO NOT incinerate the battery even if it is severely damaged or completely worn out. The batteries can explode in a fire.
13. A small leakage of liquid from the battery cells may occur under extreme usage, charging or temperature conditions. This does not indicate a failure. However, if the outer seal is broken and this leakage gets on your skin:
  - a. Wash quickly with soap and water.
  - b. Neutralize with a mild acid such as lemon juice or vinegar.
  - c. If the battery liquid gets in your eyes, flush them with clean water for a minimum of 10 minutes and seek immediate medical attention. **MEDICAL NOTE:** The liquid is a 25-35% solution of potassium hydroxide.

## Charging the Battery Pack

THE BATTERY PACK IS NOT FULLY CHARGED AT THE FACTORY. BEFORE ATTEMPTING TO CHARGE THE BATTERY PACK, THOROUGHLY READ ALL OF THE SAFETY INSTRUCTIONS.

The charger is designed to use standard household 120 volt 60 Hz power.

1. Plug the charger into any standard 120 Volt 60 Hz electrical outlet. **NOTE: Do not charge by means of an engine generator or DC power source. Use only 120V AC**
2. Slide the charger onto the battery pack as shown in **Figure 1** and let the battery charge initially for **9 hours**. After the initial charge, under normal usage, your battery pack should be fully charged in **3 to 6 hours**.
3. Unplug charger, and remove the battery pack. **Place the battery in the tool and be certain that it is inserted fully into the tool cavity until it "clicks" into place.**

**NOTE:** To remove the battery from the saw, press down on the release button on the back of the battery (**Figure 2**) and slide out.

## Important Charging Notes

1. After normal usage, your battery pack should be fully charged in 3 to 6 hours. If the battery pack is run-down completely, it may take up to 6 hours to become fully charged. Your battery pack was sent from the factory in an uncharged condition. Before attempting to use it, it must be charged for at least 9 hours.
2. DO NOT charge the battery pack in an air temperature below 40°F (4,5 °C) or above 105°F (40,5 °C) This is important and will prevent serious damage to the battery pack. Longest life and best performance can be obtained if battery pack is charged when air temperature is about 75°F (24°C).
3. While charging, the charger may hum and become warm to touch. This is a normal condition and does not indicate a problem.
4. If the battery pack does not charge properly—(1) Check current at receptacle by plugging in a lamp or other appliance. (2) Check to see if receptacle is connected to a light switch which turns power off when you turn out the lights. (3) Move charger and battery pack to a surrounding air temperature of 40°F (4,5 °C) to 105°F (40,5 °C) (4) If the receptacle and temperature are OK, and you do not get proper charging, take or send the battery pack and charger to your local Black & Decker service center. See Tools Electric in yellow pages.
5. The battery pack should be recharged when it fails to produce sufficient power on jobs which were easily done previously. DO NOT CONTINUE using product with its battery pack in a depleted condition.
6. To prolong battery pack life, avoid leaving the battery pack on charge for extended periods of time (over 30 days without use). Although overcharging is not a safety concern, it can significantly reduce overall battery pack life.
7. The battery pack will reach optimum performance after being cycled 5 times during normal usage. There is no need to run the batteries down completely before recharging. Normal usage is the best method of discharging and recharging the batteries.

## Maintenance Stage

The trickle charge feature of the charger allows the battery pack to remain in the charger and ready for use. With the charger connected to standard household current, the red charging indicator light will glow constantly. The charger will keep the battery pack fully charged. A battery pack will slowly lose its charge when kept out of the charger.

## Removing & Refitting the Blade

⚠ **WARNING:** Always ensure that the battery is removed from the tool when changing blades.

## Removing the Blade (Figure 3)

Ensure blade has cooled after use. Press and hold the rear of the black blade release button fully, hold the back of the blade and rotate it 90 degrees in a downward direction. Slide the blade sideways off the location pin and remove from the saw.

## Fitting a Blade (Figure 4,5)

Place the blade, with the tooth protector fitted, over the location pin. The blade teeth should be facing the handle. Rotate the blade through 90° until it is fully located in the slot and the location pin is in the locked position. To ensure the blade is securely fitted try to remove without pressing the blade release button. Remove the tooth protector, your saw is now ready for use.

**NOTE:** If you are unable to fit the blade, check to see if the slot in the location pin is straight up and down. If it is not, keep the blade release button depressed and use a flat bladed screwdriver to turn the location pin into the correct position as shown in **Figure 5**.

## Operating Instructions

⚠ **WARNING:** When cutting, hold saw firmly with two hands as shown in **Figure 7**.

## Variable Speed Trigger Switch (Figure 6)

Your saw is equipped with a variable speed trigger switch that allows you greater control over start of cut, rate of cut and breakthrough of cut.

To switch your saw on, slide lock-off button (1) and squeeze the on/off variable speed trigger switch (2). To switch off, release the trigger, the unit will automatically lock-off.

## Cutting With Tool (Figure 7)

Hold tool with two hands as shown in **Figure 7**. To obtain the best results from your saw, use the same backward and forward movement you would employ with a traditional hand saw. This will enable a quicker cleaner cut.

## Cutting Metal

Your saw can be used for cutting light gauge ferrous and non-ferrous metals such as copper, brass, aluminum, etc. with the specified blade. See recommended materials. It is advisable when cutting thin sheet to clamp a backing sheet of soft wood or plywood to the work as this will enable you to obtain a cleaner cut. Both metal and wood backing are sawn together. Do not force the cutting blade into the metal as this will reduce the life of the blade and possibly damage the motor. Cutting thin metal will take longer than cutting even a relatively thick piece of wood, so do not be tempted to speed up the operation by forcing the saw. Only use the metal cutting blade for this purpose.

## Recommended Materials

## Capacity

### Large Capacity Blade

Soft wood

Up to 4" x 4"

Plastic soil pipe

Up to 4-7/8"

### Curve Cutting Blade

Worktop

Up to 2"

### Metal Cutting Blade

Ferrous/non-ferrous metals

Up to 1/8" thick

## Maintenance

Use only mild soap and damp cloth to clean the tool. Never let any liquid get inside the tool; never immerse any part of the tool into a liquid.

**IMPORTANT:** To assure product SAFETY and RELIABILITY, repairs, maintenance and adjustment (other than those listed in this manual) should be performed by authorized service centers or other qualified service organizations, always using identical replacement parts.

## The RBRC™ Seal

The RBRC™ (Rechargeable Battery Recycling Corporation)

Seal on the nickel-cadmium battery (or battery pack) indicates that the costs to recycle the battery (or battery pack) at the end of its useful life have already been paid by Black & Decker. In some areas, it is illegal to place spent nickel-cadmium batteries in the trash or municipal solid waste stream and the RBRC program provides an environmentally conscious alternative.

RBRC in cooperation with Black & Decker and other battery users, has established programs in the United States and Canada to facilitate the collection of spent nickel-cadmium batteries. Help protect our environment and conserve natural resources by returning the spent nickel-cadmium battery to an authorized Black & Decker service center or to your local retailer for recycling. You may also contact your local recycling center for information on where to drop off the spent battery, or call **1-800-8-BATTERY**.



## Accessories

Recommended accessories for use with your tool are available from your local dealer or authorized service center. If you need assistance regarding accessories, please call: **1-800-54-HOW-TO (544-6986)**.

⚠ **WARNING:** The use of any accessory not recommended for use with this tool could be hazardous.

## Service Information

All Black & Decker Service Centers are staffed with trained personnel to provide customers with efficient and reliable power tool service. Whether you need technical advice, repair, or genuine factory replacement parts, contact the Black & Decker location nearest you. To find your local service location, refer to the yellow page directory under "Tools—Electric" or call: **1-800-544-6986** or visit **www.blackanddecker.com**

## Full Two-Year Home Use Warranty

Black & Decker (U.S.) Inc. warrants this product for two years against any defects in material or workmanship. The defective product will be replaced or repaired at no charge in either of two ways.

The first, which will result in exchanges only, is to return the product to the retailer from whom it was purchased (provided that the store is a participating retailer). Returns should be made within the time period of the retailer's policy for exchanges (usually 30 to 90 days after the sale). Proof of purchase may be required. Please check with the retailer for their specific return policy regarding returns that are beyond the time set for exchanges.

The second option is to take or send the product (prepaid) to a Black & Decker owned or authorized Service Center for repair or replacement at our option. Proof of purchase may be required. Black & Decker owned and authorized Service Centers are listed under "Tools-Electric" in the yellow pages of the phone directory and available on our website **www.blackanddecker.com**.

This warranty does not apply to accessories. This warranty gives you specific legal rights and you may have other rights which vary from state to state. Should you have any questions, contact the manager of your nearest Black & Decker Service Center. This product is not intended for commercial use.

**FREE WARNING LABEL REPLACEMENT:** If your warning labels become illegible or are missing, call 1-800-544-6986 for a free replacement.

Imported by  
Black & Decker (U.S.) Inc.,  
701 E. Joppa Rd.  
Towson, MD 21286 U.S.A.



See 'Tools-Electric'  
– Yellow Pages –  
for Service & Sales



SCIE À MAIN ÉLECTRIQUE DE  
14,4 ET DE 18 VOLTS

# GUIDE D'UTILISATION

No de cat. **BDPHS1400, BDPHS1800**

AVANT DE RETOURNER LE PRODUIT  
POUR QUELQUE RAISON QUE CE SOIT,  
COMPOSER LE

**1 800 544-6986**

## ⚠ RÈGLES DE SÉCURITÉ CONCERNANT LES OUTILS À PILES - GÉNÉRALITÉS

⚠ **AVERTISSEMENT :** LIRE, COMPRENDRE ET SUIVRE TOUTES LES DIRECTIVES précisées ci-dessous afin d'éviter les risques de choc électrique, d'incendie ou de blessure grave.

### CONSERVER CES DIRECTIVES

#### Aire de travail

- Garder l'aire de travail propre et bien éclairée; les établis encombrés et les endroits sombres sont propices aux accidents.
- Ne pas utiliser les outils électriques dans une atmosphère explosive, comme à proximité de liquides, de gaz ou de poussières inflammables; le moteur peut créer des étincelles et enflammer les vapeurs ou les poussières environnantes.
- Tenir les enfants, les visiteurs ou toute autre personne à l'écart lorsqu'on utilise un outil électrique; les distractions peuvent faire perdre la maîtrise de ce dernier.

#### Mesures de sécurité – Électricité

- Ne pas utiliser le cordon de manière abusive; on ne doit pas transporter l'outil en le tenant par le cordon. On doit tenir le cordon à l'écart des sources de chaleur, de l'huile, des bords tranchants ou des pièces mobiles. Remplacer immédiatement les cordons endommagés, car ces derniers peuvent causer un incendie.
- Un outil à piles intégrées ou à bloc-pile externe doit être rechargé seulement au moyen du chargeur approprié, car un chargeur destiné à une pile particulière peut entraîner un risque d'incendie lorsqu'il est utilisé avec une autre.
- N'utiliser l'outil à piles qu'avec le bloc-pile désigné, car l'utilisation d'un autre type de piles peut entraîner un risque d'incendie.



## Sécurité personnelle

- **Rester vigilant en tout temps et faire preuve de jugement lorsqu'on utilise un outil électrique. Ne pas utiliser l'outil lorsqu'on est fatigué ou sous l'influence de drogues, d'alcool ou de médicaments,** car un moment d'inattention pourrait entraîner des blessures graves.
- **Porter des vêtements appropriés. Ne pas porter des vêtements amples ou des bijoux. Couvrir ou attacher les cheveux longs. Garder les cheveux, les vêtements, les bijoux et les gants éloignés des pièces mobiles,** car ceux-ci peuvent s'y coincer. Se tenir éloigné des événements puisque ces derniers pourraient camoufler des pièces mobiles.
- **Éviter les démarrages accidentels; s'assurer que l'interrupteur est en position de verrouillage ou d'arrêt avant d'insérer le bloc-pile dans l'outil.** Ne pas transporter l'outil en laissant le doigt sur l'interrupteur ni y insérer le bloc-pile lorsque l'interrupteur est en position de marche, car cela pourrait causer un accident.
- **Retirer les clés de réglage avant de démarrer l'outil.** Une clé laissée sur une pièce rotative pourrait entraîner des blessures.
- **Ne pas trop étendre les bras. Les pieds doivent rester ancrés fermement au sol afin de maintenir son équilibre en tout temps** et de mieux maîtriser l'outil dans des situations imprévues.
- **Utiliser le matériel de sécurité approprié; toujours porter des lunettes de protection.** Porter un masque anti-poussières, des chaussures antidérapantes, un casque de sécurité ou des protecteurs auditifs lorsque la situation le requiert.

## Utilisation et entretien de l'outil

- **Fixer et soutenir la pièce sur une plate-forme stable au moyen d'une bride de serrage ou de tout autre dispositif semblable.** La pièce est instable lorsqu'on la retient manuellement ou qu'on l'appuie contre le corps, ce qui pourrait faire perdre la maîtrise de l'outil.
- **Ne pas forcer l'outil ni l'utiliser pour des travaux autres que ceux pour lesquels il a été conçu.** Pour obtenir de meilleurs résultats et prévenir les risques de blessure, laisser l'outil couper à la vitesse pour laquelle il a été conçu.
- **Ne pas utiliser l'outil lorsque l'interrupteur marche-arrêt ne fonctionne pas.** Un outil qui ne peut être commandé au moyen de l'interrupteur est dangereux et doit être réparé.
- **Débrancher le bloc-pile de l'outil ou mettre l'interrupteur en position de verrouillage ou d'arrêt avant d'effectuer un réglage, de changer les accessoires ou de ranger l'outil;** ces mesures de sécurité préventives réduisent les risques de démarrage accidentel.
- **Lorsqu'on n'utilise pas l'outil, le ranger hors de la portée des enfants ou des personnes non qualifiées.** Les outils sont dangereux entre les mains de personnes inexpérimentées.
- **Lorsqu'on n'utilise pas le bloc-pile, le ranger à l'écart des objets métalliques tels que les trombones, les pièces de monnaie, les clés, les clous, les vis ou autres petits objets susceptibles de conduire l'électricité entre les bornes** et d'occasionner ainsi un court-circuit pouvant provoquer des étincelles, des brûlures ou un incendie.
- **Bien entretenir l'outil; s'assurer qu'il est toujours bien propre et aiguisé.** Les outils bien entretenus et dont les bords sont bien tranchants sont moins susceptibles de rester coincés et sont plus faciles à maîtriser.
- **Vérifier les pièces mobiles afin de s'assurer qu'elles sont bien alignées et qu'elles ne restent pas coincées.** Vérifier également les pièces afin de s'assurer qu'il n'y a aucun bris ni aucune autre condition susceptible de nuire au bon fonctionnement de l'outil. Faire réparer l'outil si ce dernier est endommagé avant de s'en servir à nouveau, car les accidents sont souvent causés par des outils mal entretenus.
- **N'utiliser que les accessoires recommandés par le fabricant pour le modèle concerné.** Un accessoire destiné à un outil particulier peut être dangereux lorsqu'il est utilisé avec un autre.

## Entretien

- **L'outil doit être entretenu par le personnel qualifié seulement;** toute maintenance effectuée par une personne non qualifiée pourrait entraîner des risques de blessure.
- **Lors de l'entretien, n'utiliser que des pièces de rechange identiques et suivre les directives précisées à la section « Entretien » du présent guide** afin de prévenir les risques de choc électrique ou de blessure.

## ⚠️ Consignes de sécurité particulières

- **Tenir l'outil par les surfaces isolées prévues à cette fin lorsqu'il risque d'entrer en contact avec des fils cachés ou son propre cordon,** car de tels contacts peuvent mettre les pièces métalliques de l'outil sous tension, engendrant des risques de choc électrique.

- **Lorsqu'on est installé sur une échelle ou un échafaudage pour travailler, on doit déposer l'outil sur le côté lorsqu'on ne s'en sert plus.** Bien que certains outils munis d'un gros bloc-pile puissent être placés à la verticale, dans cette position, ils peuvent facilement être renversés.

- **AVERTISSEMENT : Certains outils électriques, tels que les sableuses, les scies, les meules, les perceuses ou certains autres outils de construction, peuvent produire de la poussière contenant des produits chimiques susceptibles d'entraîner le cancer, des malformations congénitales ou pouvant être nocifs pour le système reproductif.** Parmi ces produits chimiques, on retrouve :

- le plomb dans les peintures à base de plomb,
- la silice cristalline dans les briques et le ciment et autres produits de maçonnerie,
- l'arsenic et le chrome dans le bois de sciage ayant subi un traitement chimique (comme l'arséniate de cuivre et de chrome).

Le risque associé à de telles expositions varie selon la fréquence avec laquelle on effectue ces travaux. Pour réduire l'exposition à de tels produits, il faut travailler dans un endroit bien aéré et utiliser le matériel de sécurité approprié, tel un masque anti-poussières spécialement conçu pour filtrer les particules microscopiques.

- **Éviter tout contact prolongé avec la poussière soulevée par cet outil ou autres outils électriques. Porter des vêtements de protection et nettoyer les parties exposées du corps à l'eau savonneuse.** S'assurer de bien se protéger afin d'éviter d'absorber par la bouche, les yeux ou la peau des produits chimiques nocifs.

- **AVERTISSEMENT : Cet outil peut produire et répandre de la poussière susceptible de causer des dommages sérieux et permanents au système respiratoire.** Toujours utiliser un appareil respiratoire anti-poussières approprié approuvé par le NIOSH ou l'OSHA. Diriger les particules dans le sens opposé du visage et du corps.

- **MISE EN GARDE : Porter un appareil de protection personnel anti-bruit approprié durant l'utilisation.** Sous certaines conditions et pendant toute la durée de l'utilisation, le bruit émanant de ce produit pourrait contribuer à la perte d'audition.

- **Ne pas utiliser cet outil pendant des périodes prolongées.** Les vibrations causées par l'action de fonctionnement de l'outil peuvent blesser en permanence les doigts, les mains et les bras. Porter des gants pour amortir les vibrations, faire des pauses fréquentes et limiter le temps d'utilisation quotidien de l'outil.

L'étiquette de l'outil peut comporter les symboles suivants.

V .....	volts	A .....	ampères
Hz .....	hertz	W .....	watts
min .....	minutes	~ .....	courant alternatif
==== .....	courant continu	n <sub>o</sub> .....	sous vide
☐ .....	Construction de classe II	⊕ .....	borne de mise à la minute
⚠ .....	symbole d'avertissement	.../min.....	tours à la minute

## Information concernant le capuchon du bloc-pile

Un capuchon est fourni avec le bloc-pile en vue d'être utilisé chaque fois qu'on retire ce dernier de l'outil ou du chargeur en vue de le ranger ou de le transporter; enlever le capuchon avant de remettre le bloc-pile dans le chargeur ou dans l'outil.

- **AVERTISSEMENT :** S'assurer, au moment de ranger ou de transporter la pile, qu'aucun objet métallique n'entre en contact avec les bornes à découvert de la pile. Par exemple, il faut éviter de placer une pile sans capuchon dans un tablier, une poche, une boîte à outils ou un tiroir (etc.) contenant des objets tels que des clous, des vis ou des clés, car la pile pourrait causer un court-circuit et s'endommager, ou risquer de provoquer des brûlures ou un incendie.

## ⚠️ Directives et consignes de sécurité concernant le chargement du bloc-pile

1. Le présent guide comprend d'importantes directives, dont un mode d'emploi et des consignes de sécurité.

2. Avant d'utiliser le chargeur, lire toutes les directives et les étiquettes de mise en garde apposées sur (1) le chargeur, (2) la pile et (3) le produit utilisant la pile.
3. **⚠️ MISE EN GARDE :** Afin de réduire les risques de blessure, ne charger que des bloc-piles Black & Decker, car les autres peuvent éclater et entraîner des blessures ou des dommages matériels.
4. Ne pas exposer le chargeur à la pluie ou à la neige.
5. L'utilisation d'un accessoire n'étant ni recommandé ni vendu par Black & Decker peut entraîner des risques d'incendie, de choc électrique ou de blessure.
6. Afin de réduire les risques de dommage à la fiche ou au cordon électrique, débrancher le chargeur en saisissant la fiche, non le cordon.
7. S'assurer que le cordon est placé de manière à éviter qu'il ne subisse des dommages ou des contraintes ou que les personnes s'y prennent les pieds et trébuchent.
8. Ne pas utiliser de rallonge à moins que cela ne soit absolument nécessaire, car l'usage d'une rallonge ayant une puissance inadéquate pourrait causer des risques d'incendie, de choc électrique ou d'électrocution.
  - a. Bien qu'on puisse utiliser un cordon bifilaire avec une rallonge bifilaire ou trifilaire, on ne doit utiliser qu'une rallonge à cordon; on recommande que celle-ci soit approuvée par l'organisme américain Underwriters Laboratories (UL). Lorsqu'on utilise un outil électrique à l'extérieur, on ne doit utiliser que des rallonges conçues pour cet usage, comme celles de type W-A ou W. Toute rallonge conçue pour un usage extérieur peut aussi être employée à l'intérieur.
  - b. Afin d'éviter une perte de puissance ou une surchauffe et d'assurer la sécurité de l'utilisateur, la rallonge doit être de calibre AWG approprié. Plus le calibre est petit, plus la capacité est grande; autrement dit, une rallonge de calibre 16 est plus puissante qu'une rallonge de calibre 18. Lorsqu'on utilise plusieurs rallonges pour obtenir la longueur voulue, s'assurer que chacune d'elles présente les valeurs minimales requises.

CALIBRE MINIMAL RECOMMANDÉ DES RALLONGES (INTENSITÉ NOMINALE DE 0,0 À 10,0 AMPÈRES)						
Longueur totale de la rallonge (en mètres)	7,6	15,2	22,9	30,5	38,1	45,7
Calibre AWG	18	18	16	16	14	14

9. Ne charger le bloc-pile qu'au moyen du chargeur fourni, car l'usage de tout autre chargeur pourrait endommager le bloc-pile ou engendrer une situation dangereuse.
10. N'utiliser qu'un seul chargeur durant le chargement.
11. Ne pas ouvrir le chargeur ou la pile; ces derniers ne comprennent aucune pièce interne destinée à être entretenue par le client et doivent être retournés à un centre de service autorisé de Black & Decker, le cas échéant.
12. NE PAS incinérer les piles, y compris les piles gravement endommagées ou complètement déchargées, car elles peuvent exploser en présence de flammes.
13. Les cellules peuvent subir une fuite légère par suite d'un usage extrême, du chargement ou d'une exposition à certaines températures; cela n'indique pas un problème. Cependant, si le scellant externe est percé et le liquide entre en contact avec la peau, on doit:
  - a. se laver rapidement la partie du corps touchée avec de l'eau savonneuse;
  - b. neutraliser l'effet au moyen d'un acide doux tel que du jus de citron ou du vinaigre;
  - c. si les yeux sont touchés, les rincer à fond avec de l'eau propre pendant au moins 10 minutes et consulter immédiatement un médecin. **REMARQUE AUX FINS MÉDICALES :** ce liquide contient une solution composée de 25 à 35 % d'hydroxyde de potassium.

## Chargement du bloc-pile

LE BLOC-PILE N'EST PAS COMPLÈTEMENT CHARGÉ EN USINE. IL IMPORTE DONC DE LIRE ATTENTIVEMENT TOUTES LES CONSIGNES DE SÉCURITÉ AVANT DE LE CHARGER.

Le chargeur est conçu pour être branché dans une prise résidentielle standard de 120 volts et de 60 Hz.

1. Brancher le chargeur dans une prise murale appropriée. **REMARQUE :** Ne pas charger au moyen d'une génératrice de moteur. Ne pas brancher dans une source d'alimentation électrique à courant continu; utiliser seulement une prise de 120 V c.a.
2. Glisser le bloc-pile dans le chargeur, tel qu'illustré à la **figure 1**, et le charger pendant 9 heures. Après la charge initiale et à la suite d'une utilisation normale, le bloc-pile devrait se charger complètement en 3 à 6 heures.
3. Débrancher le chargeur et retirer le bloc-pile. **Mettre la pile dans l'outil en s'assurant de l'insérer complètement dans sa cavité jusqu'à ce qu'elle s'enclenche fermement.**

**REMARQUE :** Pour retirer le bloc-pile de l'outil, appuyer sur le bouton de dégagement situé à l'arrière du bloc-pile (**figure 2**) et tirer sur ce dernier pour le dégager.

## Conseils importants concernant le chargement

1. À la suite d'une utilisation normale, le bloc-pile devrait prendre de 3 à 6 heures pour se charger complètement, et jusqu'à 6 heures s'il est complètement déchargé. Le bloc-pile n'est pas chargé au moment de quitter l'usine; on doit donc le charger pendant au moins 9 heures avant de l'utiliser.
2. Afin d'éviter d'endommager le bloc-pile, il est important de NE PAS le charger à des températures inférieures à 4,5 °C (40 °F) ou supérieures à 40,5 °C (105 °F). Pour augmenter la durée de vie du bloc-pile et optimiser son rendement, le charger à une température d'environ 24°C (75 °F).
3. Le chargeur peut émettre un bourdonnement ou devenir chaud au toucher durant le chargement. Cela est normal et n'indique pas la présence d'un problème.
4. Si le bloc-pile ne se charge pas normalement, il faut : (1) vérifier l'alimentation de la prise en y enfichant une lampe ou un appareil, (2) s'assurer que la prise n'est pas raccordée à un interrupteur qui coupe le courant lorsqu'on éteint les lumières, (3) placer le chargeur et le bloc-pile dans un endroit où la température ambiante est environ 4,5 °C (40 °F) à 40,5 °C (105 °F) ou, si le problème persiste, (4) retourner le bloc-pile et le chargeur au centre de service Black & Decker le plus près (les centres de service autorisés sont répertoriés dans les pages jaunes sous la rubrique «Outils - électriques»).
5. Le bloc-pile doit être rechargé lorsqu'il ne produit pas suffisamment de courant pour permettre à l'utilisateur de travailler normalement. On doit CESSER d'utiliser la produit dans de telles conditions.
6. On peut prolonger la durée de vie du bloc-pile en évitant de le laisser dans le chargeur pendant de longues périodes (plus de 30 jours lorsqu'on ne l'utilise pas). Bien que la surcharge du bloc-pile ne soit pas un problème au niveau de la sécurité, cette pratique peut réduire de façon appréciable sa durée de vie.
7. Le bloc-pile atteindra son rendement optimal après avoir terminé cinq cycles de charge et de décharge au cours d'une utilisation normale. Il n'est pas nécessaire de décharger complètement le bloc-pile avant de le recharger. Le meilleur moyen de charger et de décharger le bloc-pile est de l'utiliser normalement.

## Étape d'entretien

Grâce à la fonction de charge d'entretien du chargeur, l'utilisateur peut laisser le bloc-pile dans le chargeur afin qu'il soit prêt à être utilisé. Lorsque le chargeur est branché dans une prise résidentielle standard, le voyant de charge rouge s'allume constamment, indiquant que le chargeur maintient la charge du bloc-pile; ce dernier perd lentement sa charge lorsqu'il est retiré du chargeur.

## Retrait et remise en place de la lame

⚠️ **AVERTISSEMENT :** Toujours s'assurer que les piles sont retirées de l'outil avant de changer la lame.

## Retrait de la lame (figure 3)

S'assurer que la lame est refroidie après chaque utilisation. Enfoncer et retenir la section arrière du bouton de dégagement de la lame noir puis, en retenant la section arrière de la lame, tourner la lame de 90 °vers le bas et la faire glisser latéralement afin de la dégager de la tige de positionnement. Retirer la lame de la scie.

## Installation de la lame (figures 4 et 5)

Installer la lame en s'assurant de bien placer le protège-lame sur la tige de positionnement et d'orienter les dents de la scie en direction de la poignée. Tourner la lame de 90 ° jusqu'à ce qu'elle soit bien insérée dans la fente et que la tige de positionnement soit en position verrouillée. S'assurer que la lame est bien en place en essayant de la retirer sans enfoncer le bouton de dégagement. Retirer le protège-lame. La scie est maintenant prête à être utilisée.

**REMARQUE :** Si la lame est impossible à installer, vérifier la fente de la tige de positionnement afin de s'assurer qu'elle est placée parfaitement à la verticale. Sinon, continuer à enfoncer le bouton de dégagement de la lame et tourner la tige jusqu'à la position voulue au moyen d'un tournevis à lame plate, tel qu'illustré à la **figure 5**.

## Mode d'emploi

⚠️ **AVERTISSEMENT :** Lorsqu'on réalise une coupe, tenir fermement la scie à deux mains, tel qu'illustré à la **figure 7**.

## Interrupteur à vitesse variable (figure 6)

La scie est munie d'un interrupteur à vitesse variable qui permet de mieux maîtriser la scie lorsqu'on amorce une coupe et qu'on perce le matériau et de mieux maintenir la vitesse de coupe.



Pour mettre la scie en marche, pousser sur le bouton de verrouillage (1) et enfoncer l'interrupteur de marche-arrêt / vitesse variable (2); relâcher l'interrupteur pour arrêter l'outil. Ce dernier se verrouillera automatiquement en position d'arrêt.

## Méthode de coupe (figure 7)

Tenir l'outil à deux mains, tel qu'illustré à la **figure 7**. Pour obtenir de meilleurs résultats, utiliser les mêmes mouvements vers l'avant et vers l'arrière qu'on utilise avec une scie à main conventionnelle afin d'obtenir une coupe plus rapide et plus précise.

## Coupe du métal

On peut utiliser la scie pour couper des métaux ferreux et non ferreux de faible épaisseur, tels que le cuivre, le laiton, l'aluminium, etc. au moyen d'une lame recommandée. Voir la liste de matériaux compatibles.

Lors de la coupe de tôles minces, on recommande de fixer un support en bois mou ou en contreplaqué au matériau à couper afin d'obtenir une coupe plus précise. Le métal et le support en bois sont sciés ensemble. Ne pas forcer la lame dans la tôle, car cela réduira la durée de vie de la lame et pourrait endommager le moteur. Puisque la coupe d'une pièce en tôle prend plus de temps que celle d'une pièce de bois relativement épaisse, on doit éviter d'accélérer la coupe en forçant la scie. N'utiliser que la lame à métal prévue à cette fin.

## Matériaux compatibles

## Capacité

### Lame à grande capacité

Bois mou Jusqu'à 102 mm sur 102 mm (4 po sur 4 po)  
Tuyau de sol plastique Jusqu'à 123,8 mm (4 7/8 po)

### Lame courbée

Surface de travail Jusqu'à 50,8 mm (2 po)

### Lame à métal

Matériaux ferreux ou non ferreux Jusqu'à 3,2 mm (1/8 po) d'épaisseur

## Entretien

Nettoyer l'outil au moyen d'un savon doux et d'un linge humide seulement. Ne jamais laisser de liquide s'infiltrer à l'intérieur de l'outil ni tremper ce dernier dans un liquide quelconque.

**IMPORTANT** : pour assurer la SÉCURITÉ et la FIABILITÉ de ce produit, toutes les opérations de réparation, d'entretien et de réglage (autres que celles décrites aux présentes) doivent être effectuées dans un centre de service autorisé ou par du personnel qualifié; on ne doit utiliser que des pièces de rechange identiques.

## Sceau RBRC<sup>MC</sup>

Le sceau RBRC<sup>MC</sup> de la Rechargeable Battery Recycling Corporation apposé sur la pile au nickel-cadmium (ou le bloc-pile) indique que les coûts de recyclage de ce dernier à la fin de sa vie utile ont déjà été payés par Black & Decker. En certains endroits, la mise au rebut ou aux ordures municipales des piles au nickel-cadmium est illégale; le programme de «RBRC» constitue donc une solution des plus pratiques et écologiques.

La «RBRC», en collaboration avec Black & Decker et d'autres utilisateurs de piles, a mis sur pied des programmes aux États-Unis et au Canada dans le but de faciliter la collecte des piles déchargées. Black & Decker encourage ses utilisateurs à participer à son programme de protection de l'environnement et de conservation des ressources naturelles en retournant les piles usagées à un centre de service Black & Decker autorisé ou chez un dépositaire local afin qu'elles puissent être recyclées. On peut en outre se renseigner auprès d'un centre de recyclage local pour connaître d'autres sites les acceptant, ou composer le **1 800 8-228-8379 (1-800-8-BATTERY)**

## Accessoires

Les accessoires recommandés pour cet outil sont vendus séparément chez les dépositaires locaux ou dans les centres de service autorisés. Pour obtenir plus d'information sur les accessoires, composer le **1-800-544-6986**.

**AVERTISSEMENT** : l'usage d'un accessoire non recommandé peut présenter un danger.

## Information sur les services

Tous les centres de service Black & Decker sont dotés de personnel qualifié en matière d'outillage électrique; ils sont donc en mesure d'offrir à leur clientèle un service efficace et fiable. Pour obtenir un conseil technique ou une pièce d'origine ou pour faire réparer un outil, on peut communiquer avec le centre Black & Decker le plus près. Pour obtenir le numéro de téléphone, consulter les pages jaunes sous la rubrique «Outils - électriques», ou composer le **1 800 544-6986** ou encore, visiter notre site Web au [www.blackanddecker.com](http://www.blackanddecker.com).

## Garantie complète de deux ans pour usage résidentiel

Black & Decker (U.S.) Inc. garantit ce produit pour une période de deux ans contre tout défaut de matériel ou de fabrication. Le produit défectueux sera remplacé ou réparé sans frais, suivant l'une des deux méthodes suivantes.

La première méthode consiste en un échange seulement. On doit retourner le produit au détaillant qui l'a vendu (pourvu qu'il s'agisse d'un détaillant participant), en respectant les délais stipulés dans sa politique relative aux échanges (normalement de 30 à 90 jours après la vente). Une preuve d'achat peut être requise. On doit vérifier la politique de retour du détaillant pour tout produit retourné après le délai prescrit pour les échanges.

La deuxième méthode consiste à apporter ou à envoyer le produit (prépayé) à un centre Black & Decker ou à un centre de service autorisé aux fins de réparation ou de remplacement, selon notre choix. Une preuve d'achat peut être requise. Les centres Black & Decker et les centres de service autorisés sont répertoriés dans les pages jaunes sous la rubrique «Outils - électriques».

Cette garantie ne s'applique pas aux accessoires. Elle confère des droits légaux particuliers à l'acheteur, mais celui-ci pourrait aussi bénéficier d'autres droits variant d'un état ou d'une province à l'autre.

Toute question doit être adressée au gérant du centre Black & Decker le plus près. Ce produit n'est pas destiné à un usage commercial.

### Remplacement gratuit de l'étiquette d'avertissement :

En cas de perte ou d'endommagement des étiquettes d'avertissement, composer le **1 800 544-6986** afin d'en obtenir de nouvelles sans frais.

Imported by / Importé par  
Black & Decker Canada Inc.  
100 Central Ave.  
Brockville (Ontario) K6V 5W6

Voir la rubrique "Outils électriques"  
des Pages Jaunes  
pour le service et les ventes.



## SIERRA DE MANO DE 14,4 Y 18 VOLTIOS

# MANUAL DE INSTRUCCIONES

Número de catálogo BDPH1400, BDPHS1800

ANTES DE DEVOLVER ESTE PRODUCTO POR  
CUALQUIER RAZON LE ROGAMOS LLAME AL  
(55) 5326-7100

## ▲ NORMAS GENERALES DE SEGURIDAD – PARA TODAS LAS HERRAMIENTAS QUE FUNCIONAN CON BATERÍA

▲ **ADVERTENCIA!** LEA TODAS LAS INSTRUCCIONES HASTA COMPRENDERLAS. No ajustarse a las instrucciones siguientes puede ser causa de choque eléctrico, incendio o lesiones graves.

### CONSERVE ESTAS INSTRUCCIONES

#### Área de trabajo

- Mantenga el área de trabajo limpia y bien iluminada. Las bancadas desordenadas y las zonas oscuras propician los accidentes.
- No opere herramientas eléctricas en atmósferas explosivas, como en presencia de líquidos, gases o polvos inflamables. Las herramientas eléctricas producen chispas que pueden originar la ignición del polvo o los vapores.
- Mientras opere una herramienta eléctrica, mantenga lejos a los observadores, niños y visitantes. Las distracciones pueden ocasionar que pierda el control.

#### Seguridad eléctrica

- No maltrate el cable. Nunca lleve la herramienta por el cable. Mantenga el cable alejado de las fuentes de calor, el aceite, las orillas afiladas o las piezas en movimiento. Cambie inmediatamente los cables dañados. Los cables dañados pueden provocar un incendio.

- Una herramienta que funciona con baterías integrales o con una batería separada sólo debe recargarse con el cargador de baterías especificado. Un cargador puede ser adecuado para un tipo de baterías y, sin embargo, crear riesgo de incendio cuando se usa con otras.

- Las herramientas que operan con baterías se deben utilizar sólo con baterías diseñadas especialmente. La utilización de otras baterías comporta riesgo de incendio.

#### Seguridad personal

- Al utilizar una herramienta eléctrica, esté atento, concéntrese en lo que hace y aplique el sentido común. No utilice la herramienta si se encuentra fatigado o bajo la influencia de drogas, alcohol o fármacos. Mientras se utilizan herramientas eléctricas, basta un instante de distracción para sufrir lesiones graves.
- Lleve ropa adecuada. No utilice ropa suelta ni joyas. Recójase el cabello largo. Mantenga el cabello, la ropa y los guantes apartados de las piezas en movimiento. Las partes móviles pueden atrapar las prendas de vestir sueltas, las joyas y el cabello. Los orificios de ventilación suelen cubrir piezas en movimiento, por lo que también se deben evitar.
- Evite puestas en marcha accidentales. Antes de insertar la batería asegúrese de que el interruptor esté en posición de bloqueo o apagado. Transportar herramientas con el dedo sobre el interruptor o insertar la batería en la herramienta con el interruptor encendido favorece los accidentes.
- Antes de poner en marcha la herramienta, retire las llaves de ajuste. Una llave que se deje en una pieza giratoria de la herramienta puede provocar lesiones.
- No ponga en peligro su estabilidad. Manténgase siempre bien apoyado y equilibrado. Un buen apoyo y equilibrio permiten controlar mejor la herramienta si se produce algún imprevisto.
- Utilice el equipo de seguridad. Lleve siempre lentes protectores. Cuando sea adecuado, también se debe usar mascarilla antipolvo, zapatos de suela antideslizante, casco o protectores auditivos.

#### Uso y cuidados de la herramienta

- Utilice abrazaderas u otro elemento adecuado para sujetar y apoyar la pieza de trabajo en una plataforma estable. Sujetar la pieza con la mano o contra el cuerpo es inestable y facilita la pérdida de control.
- No fuerce la herramienta. Emplee la herramienta correcta para cada aplicación. La herramienta correcta hace el trabajo mejor y más seguro dentro del rango para el que ha sido diseñada.
- No utilice la herramienta si el interruptor no la enciende y apaga. Cualquier herramienta que no pueda controlarse con el interruptor es peligrosa y se debe reparar.
- Desconecte la batería de la herramienta o ponga el interruptor en posición de bloqueo o de apagado antes de realizar ajustes, cambiar accesorios o guardar la herramienta. Estas medidas de seguridad preventiva reducen el riesgo de poner en marcha la herramienta accidentalmente.
- Cuando no las utilice, guarde las herramientas fuera del alcance de los niños o de cualquier persona no capacitada. Las herramientas son peligrosas en manos de usuarios no capacitados.
- Cuando la unidad de alimentación no esté en uso, manténgala alejada de otros objetos metálicos tales como: sujetapapeles, monedas, llaves, clavos u otros objetos metálicos pequeños que podrían generar una conexión entre sus terminales. Provocar un cortocircuito entre los terminales de la batería puede causar chispas, quemaduras o incendios.
- Cuides las herramientas. Conserve las herramientas de corte afiladas y limpias. Unas herramientas adecuadamente cuidadas y con los bordes de corte afilados se atascan menos y son más fáciles de controlar.
- Compruebe si las piezas móviles se desalinean o atascan, si hay alguna pieza rota o cualquier otra circunstancia que pueda afectar la operación de la herramienta. Si la herramienta está dañada, hágala reparar antes de usarla. Muchos accidentes los provocan unas herramientas mal cuidadas.
- Utilice únicamente los accesorios recomendados por el fabricante para su modelo. Un mismo accesorio puede ser adecuado para una herramienta, pero puede crear un riesgo de lesiones si se usa en otra.

#### Servicio

- El servicio a la herramienta sólo debe realizarlo personal cualificado. El servicio o mantenimiento realizados por personal no calificado puede dar como resultado un riesgo de lesiones.
- Al proceder al mantenimiento de una herramienta, utilice únicamente refacciones idénticas. Siga las instrucciones de la sección "Mantenimiento" de este manual. La utilización de piezas no autorizadas o no respetar las instrucciones de mantenimiento, puede suponer un peligro de choque eléctrico o de lesiones.

#### ▲ Normas específicas de seguridad

- Sujete la herramienta por sus empuñaduras aisladas si lleva a cabo una operación en que la herramienta pueda tocar cables eléctricos ocultos o su propio cable. El contacto con un cable activo provocará que las piezas metálicas de la herramienta se carguen y que el operador reciba una descarga eléctrica.
- Cuando trabaje sobre una escalera o andamio, asegúrese de recostar la herramienta sobre un costado cuando no esté en uso. Algunas herramientas con unidades de alimentación grandes se pueden parar derechas pero pueden caerse fácilmente.
- **ADVERTENCIA:** Parte del polvo generado al lijar, serrar, esmerilar y taladrar, así como al realizar otras actividades del sector de la construcción, contienen productos químicos que pueden producir cáncer, defectos congénitos u otras afecciones reproductivas. Ejemplos de esas substancias químicas son:
  - plomo procedente de pinturas a base de plomo
  - óxido de silicio cristalino procedente de ladrillos, cemento y otros productos de mampostería, y
  - arsénico y cromo procedentes de madera tratada químicamente (CCA)

El peligro derivado de estas exposiciones que usted enfrente varía en función de la frecuencia con que se realice este tipo de trabajo. Para reducir la exposición a esas sustancias químicas: trabaje en una zona bien ventilada y llevando equipos de seguridad aprobados, como mascarillas antipolvo especialmente diseñadas para filtrar partículas microscópicas.

- Evite el contacto prolongado con el polvo procedente del lijado, serrado, esmerilado y taladrado eléctricos, así como de otras actividades del sector de la construcción. Lleve ropa protectora y lave con agua y jabón las zonas expuestas. Si permite que el polvo se introduzca en la boca u ojos o quede sobre la piel, puede favorecer la absorción de productos químicos peligrosos.

▲ **ADVERTENCIA:** El uso de esta herramienta puede generar o dispersar polvo lo cual puede causar lesiones respiratorias serias y permanentes y otros tipos de lesión. Siempre use protección respiratoria aprobada por NIOSH/OSHA para la exposición al polvo. Dirija las partículas en dirección opuesta a su cara y cuerpo.

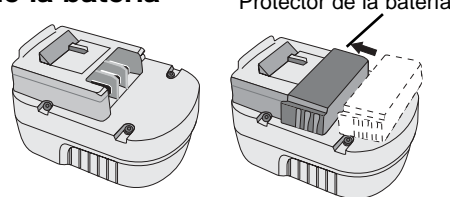
- **PRECAUCIÓN:** Utilice una protección auditiva apropiada durante el uso. En determinadas condiciones y con utilizaciones prolongadas, el ruido generado por este producto puede favorecer la pérdida de audición.
- No opere esta herramienta durante periodos largos de tiempo. La vibración causada por la acción de operación de esta herramienta puede causar lesiones permanentes a los dedos, las manos y los brazos. Utilice guantes para una mayor amortiguación, tome descansos frecuentes y limite el tiempo de uso diario.

La etiqueta de su herramienta puede incluir los siguientes símbolos.

V .....	volts	A .....	amperes
Hz .....	hertz	W .....	watts
min .....	minutos	~ .....	corriente alterna
==== .....	corriente directa	nº .....	velocidad sin carga
☐ .....	construcción clase II	⊕ .....	terminales de conexión a tierra
▲ .....	símbolo de alerta	.../min .....	revoluciones o minuto seguridad

#### Información acerca del protector de la batería

Se han incluido protectores para el almacenaje y transporte de la batería. Estos deben ser usados cuando la batería no esté conectada a la herramienta ni en el cargador. Recuerde quitar el protector antes de poner la batería en el cargador o conectarla a la herramienta.





**⚠ ADVERTENCIA:** No guarde o transporte la batería de manera que objetos metálicos puedan hacer contacto con las terminales expuestas de la batería. Por ejemplo, no ponga la batería en delantales, bolsillos, cajas de herramientas, estuches de productos, cajones, etc. junto con clavos, tornillos, llaves, etc. sin el protector. La batería puede hacer corto cuando no tenga puesto el protector, ocasionando incendios o quemaduras, o daños a sí misma.

## ⚠ Advertencias e instrucciones de seguridad: Cargado de la unidad de alimentación

- Este manual contiene instrucciones de seguridad y operación importantes.
- Antes de usar el cargador de batería, lea todas las instrucciones y marcas de advertencia en (1) el cargador de la batería, (2) la batería y (3) el producto que utiliza la batería.
- ⚠ PRECAUCIÓN:** Para reducir el riesgo de lesión, sólo cargue unidades de alimentación Black & Decker. Otros tipos de baterías podrían reventarse y causar lesiones corporales y otros daños.
- No exponga el cargador a lluvia o nieve.
- El uso de un accesorio no recomendado o vendido por Black & Decker podría resultar en riesgo de incendio, descarga eléctrica o lesiones corporales.
- Para reducir el riesgo de daño al enchufe y cable de alimentación, jale del enchufe y no del cable cuando desconecte el cargador.
- Asegúrese que el cable no sea ubicado de manera que podría ser pisado, causar que alguien tropiece con él o ser expuesto a otro tipo de daños.
- No se debería usar un alargador a no ser que sea absolutamente necesario. El uso de un alargador incorrecto podría resultar en riesgo de incendio, descarga eléctrica o electrocución.
- Cables de dos hilos pueden ser usados con alargadores de 2 ó 3 hilos. Sólo se deben usar alargadores con revestimiento redondo y recomendamos que además se encuentren en la lista de Underwriters Laboratories (U.L.). Si el alargador será utilizado en la intemperie, el cable debe ser adecuado para uso exterior. Cualquier cable marcado para uso exterior es también adecuado para uso interior. Las letras "W" o "WA" en el revestimiento del cable indican que el cable puede ser usado en la intemperie.
- Los hilos del alargador deben ser de un calibre apropiado (AWG o American Wire Gauge) para su seguridad y para evitar la pérdida de potencia y sobrecalentamiento. Mientras menor sea el calibre del hilo, mayor la capacidad del cable. Es decir, un hilo calibre 16 tiene mayor capacidad que uno de 18. Cuando se utilice más de un alargador para completar el largo total, asegúrese que los hilos de cada alargador tengan el calibre mínimo.

CUADRO DE CALIBRES MÍNIMOS PARA HILOS (AWG) DE ALARGADORES						
POTENCIA NOMINAL AMPS – 0 – 10,0						
Largo total del alargador (en metros)	7,6	15,2	22,9	30,5	38,1	45,7
Calibre de hilos	18	18	16	16	14	14

9. Cuando cargue su batería, utilice sólo el cargador incluido. El uso de cualquier otro cargador podría dañar la unidad de alimentación o ser peligroso.
10. Sólo use un cargador cuando la cargue.
11. No intente abrir el cargador o la batería. No contiene ninguna pieza que pueda ser reparada por el usuario. Devuelva a cualquier centro de servicio autorizado de Black & Decker.
12. NO incinere la batería, aunque esté completamente dañada o gastada. Las baterías pueden explotar si se queman.
13. Las celdas de la batería pueden tener fugas pequeñas de líquido cuando han sido usadas o cargadas durante períodos demasiado largos, o bajo ciertas condiciones de temperatura. Esto no indica una falla. Sin embargo, si el sello externo ha sido roto y su piel entra en contacto con el líquido:
  - Lave rápidamente con jabón y agua.
  - Neutralice con un ácido suave como jugo de limón o vinagre.
  - Si el líquido de la batería le entra a los ojos, lávelos con agua limpia por al menos 10 minutos y hágase ver por un médico de inmediato. **NOTA MÉDICA:** El líquido es una solución de 25-35% de hidróxido de potasio.

## Cómo cargar la unidad de alimentación

LAS BATERÍAS DE SU UNIDAD DE ALIMENTACIÓN NO VIENEN COMPLETAMENTE CARGADAS DE LA FÁBRICA. ANTES DE INTENTAR CARGARLAS, LEA CONCIENZUDAMENTE TODAS LAS INSTRUCCIONES DE SEGURIDAD. El cargador está diseñado para utilizar la corriente doméstica estándar de 120 voltios 60 Hz.

1. Enchufe el cargador en cualquier toma de corriente estándar de 120 voltios 60 Hz. **NOTA: No cargue con un generador de motor o una fuente de corriente directa. Use sólo 120 V de corriente alterna.**
2. Deslice el cargador en la unidad de alimentación como lo muestra la **Figura 1** y deje que la batería se cargue inicialmente por **9 horas**. Luego de la carga inicial, su unidad de alimentación debería cargarse completamente en **3 a 6 horas**, si tiene una frecuencia de uso normal.
3. Desenchufe el cargador y quite la unidad de alimentación. **Conecte la batería a la herramienta y asegúrese que quede completamente insertada en la cavidad de la herramienta, hasta escuchar un 'clic'.** **NOTA:** Para quitar la batería del taladro, presione el pulsador de liberación que se encuentra en la parte posterior de la batería (**Figura 2**) y deslícela hacia afuera.

## Notas importantes respecto al proceso de carga

1. Luego de un uso normal, su unidad de alimentación debería quedar completamente cargada en 3 a 6 horas. Si la unidad de alimentación ha sido completamente agotada, puede tomar hasta 6 horas en cargarse por completo. Su unidad de alimentación no viene cargada de la fábrica. Antes de intentar usarla, debe ser cargada por al menos 9 horas.
2. NO cargue la unidad de alimentación cuando la temperatura del aire sea menor a 40 °F (~4 °C) o mayor a 105 °F (~40 °C). Esto es importante y prevendrá que la unidad de alimentación sea seriamente dañada. Se puede lograr una mayor duración y mejor rendimiento si la unidad de alimentación se carga cuando la temperatura del aire sea de aproximadamente 75 °F (~24 °C).
3. Mientras carga, el cargador puede emitir un zumbido y hacerse caliente al tacto. Esto es normal y no indica un problema.
4. Si la unidad de alimentación no se carga bien — (1) Revise que la toma de corriente funcione bien. Enchufe una lámpara u otro aparato en ella. (2) Revise si la toma de corriente está conectada a un interruptor que apaga la corriente cuando apaga la luz. (3) Lleve el cargador y la unidad de alimentación a un lugar cuya temperatura ambiental sea entre 40 y 105°F (~4 a 40°C). (4) Si el enchufe y la temperatura están bien y aún no consigue cargar la batería, traiga o envíe su unidad de alimentación y cargador a su centro local de servicio Black & Decker. Busque bajo 'Herramientas eléctricas' en las páginas amarillas.
5. La unidad de alimentación debería ser recargada cuando no sea capaz de producir suficiente potencia para trabajos que eran fácilmente realizados antes. NO SIGA usando el producto cuando su unidad de alimentación se encuentre agotada.
6. Para prolongar la duración de la unidad de alimentación, evite dejarla cargando durante períodos de tiempo muy largos (más de 30 días sin usar). A pesar que el sobrecargarla no es motivo de preocupación desde el punto de vista de seguridad, puede reducir significativamente la duración general de la unidad de alimentación.
7. La unidad de alimentación alcanzará su rendimiento óptimo una vez que haya sido recargada 5 veces durante uso normal. No es necesario agotar las baterías por completo antes de recargarlas. El uso normal es la mejor manera de descargar y recargar las baterías.

## Etapa de mantenimiento

La característica de carga de mantenimiento del cargador permite a la unidad de alimentación mantenerse en el cargador, lista para ser usada. Con el cargador conectado a la corriente doméstica estándar, la luz roja del indicador de carga estará constantemente encendida. El cargador mantendrá la unidad de alimentación completamente cargada. Las unidades de alimentación pierden su carga lentamente cuando no se almacenan en el cargador.

## Retiro e instalación de la hoja

**⚠ ADVERTENCIA:** Verifique siempre que la batería haya sido desconectada de la herramienta antes de cambiar la hoja.

## Retiro de la hoja (Figura 3)

Verifique que la hoja se haya enfriado luego de ser usada. Presione completamente y sostenga la parte posterior del botón negro de liberación de la hoja; sostenga la parte posterior de la hoja y gírela 90 grados hacia abajo. Deslice la hoja lateralmente para soltarla de la clavija de sujeción y retírela de la sierra.

## Instalación de la hoja (Figuras 4 y 5)

Ponga la hoja con el protector de dientes puesto, sobre la clavija de sujeción. Los dientes de la hoja deberían estar mirando hacia el mango. Gire la hoja 90° hasta que quede completamente dentro de la ranura y que la clavija de sujeción esté en la posición de bloqueo. Para asegurar que la hoja esté bien instalada, intente retirarla sin presionar el botón de liberación de la hoja. Retire el protector de dientes. Su sierra está lista para ser utilizada. **NOTA:** Si no puede instalar la hoja, verifique que la ranura de la clavija de sujeción esté en posición recta vertical. Si no lo está, mantenga presionado el botón de liberación de la hoja y

use un atornillador de hoja plana para girar la clavija a la posición correcta, como lo muestra la **Figura 5**.

## Instrucciones de funcionamiento

**⚠ ADVERTENCIA:** Cuando corte, sostenga la sierra firmemente con ambas manos, como lo muestra la **Figura 7**.

## Conmutador tipo gatillo de velocidad variable (Figura 6)

Su sierra viene con un conmutador tipo gatillo de velocidad variable que le permite controlar mejor el inicio del corte, la velocidad de corte y la penetración del corte.

Para encender su sierra, deslice el botón de bloqueo en off (1) y apriete el conmutador tipo gatillo de velocidad variable (2). Para apagarla, suelte el gatillo y la unidad se apagará automáticamente y quedará bloqueada en off.

## Corte con la herramienta (Figura 7)

Sostenga la herramienta con ambas manos, como lo muestra la **Figura 7**. Para obtener los mejores resultados con su sierra, use el mismo movimiento hacia adelante y hacia atrás que utilizaría con una sierra de mano tradicional. Esto permitirá hacer un corte más rápido y limpio.

## Corte de metales

Su sierra puede ser utilizada para cortar metales ferrosos y no ferrosos de calibres ligeros, tales como cobre, latón, aluminio, etc., con la hoja especificada. Refiérase a los materiales recomendados.

Se aconseja utilizar una abrazadera cuando corte láminas finas para sujetar la lámina a una lámina de respaldo de madera blanda o contrachapado. Esto le permitirá obtener un corte más limpio. Tanto el metal como la lámina de madera se cortan simultáneamente. No fuerce la hoja de corte en el metal ya que esto acortará la vida útil de la hoja y posiblemente dañará el motor. El corte de metales finos demora más que el corte de maderas gruesas incluso, así es que no se tiene a acelerar el proceso forzando la sierra. Use sólo la hoja para cortar metal para este fin.

## Materiales recomendados

### Hoja de gran capacidad

Madera blanda

Tubería de desagüe plástica

### Hoja de corte curva

Encimera

### Hoja para cortar metal

Metales ferrosos y no ferrosos

## Capacidad

De hasta 102 x 102 mm (4 x 4 pulg.)

De hasta 123,8 mm (4-7/8 pulg.)

De hasta 50,8 mm (2 pulg.)

De hasta 3,2 mm (1/8 pulg.) de grosor

## Mantenimiento

Utilice solamente jabón suave y agua para limpiar la herramienta. Nunca permita que ningún líquido se introduzca dentro de la misma; nunca sumerja ninguna parte de la herramienta dentro de un líquido.

**IMPORTANTE:** Las reparaciones, el mantenimiento y los ajustes del dispositivo (fuera de los mencionados en este documento) deberán ser realizados por centros de servicio autorizados u otro personal de servicio calificado, utilizando siempre repuestos idénticos, para asegurar la SEGURIDAD y FIABILIDAD de la unidad'

## El sello RBRC<sup>MC</sup>

El sello RBRC<sup>MC</sup> (Rechargeable Battery Recycling Corporation) en las baterías (o unidades de alimentación) de níquel-cadmio indica que el costo del reciclaje de la batería o de la unidad de alimentación, al final de su vida útil, ya ha sido pagado por Black & Decker. En algunas áreas es ilegal depositar las baterías de níquel-cadmio gastadas en la basura doméstica o en los basureros municipales; el programa RBRC proporciona una alternativa medio ambiental conveniente. RBRC<sup>MC</sup>, en cooperación con Black & Decker y otros usuarios de baterías, han establecido programas en los Estados Unidos y Canadá para facilitar la recolección de baterías gastadas de níquel-cadmio. Al llevar sus baterías gastadas de níquel-cadmio a un centro de servicio autorizado Black & Decker o al minorista local para proceder al reciclaje, ayuda a proteger el medio ambiente y a conservar recursos naturales. También puede comunicarse con el centro de reciclaje de su localidad para que le informen acerca de los lugares donde puede regresar las baterías gastadas, o llamar al **1 800 822-88379 (1-800-8-BATTERY)**.



## Accesorios

Los accesorios recomendados para ser utilizados con su herramienta se encuentran disponibles donde su distribuidor o centro de servicio autorizado locales. Si tiene alguna consulta acerca de estos accesorios, por favor llame al **1-800-544-6986**

**⚠ ADVERTENCIA:** El uso de un accesorio que no sea recomendado para ser utilizado con esta herramienta podría ser peligroso.

## Información de servicio

Todos los Centros de Servicio Black & Decker están dotados de personal capacitado para proporcionar un servicio técnico eficiente y fiable a las máquinas herramientas de nuestros clientes. Contacte al local Black & Decker más cercano para obtener consejos técnicos, reparaciones o repuestos de fábrica originales. Para encontrar el local de servicio más cercano, busque en las páginas amarillas bajo "Herramientas eléctricas", llame al **1-800-544-6986** o visite nuestra página web **www.blackanddecker.com**

## Garantía completa de dos años para uso doméstico

Black & Decker (U.S.) Inc. garantiza este producto por dos años contra cualquier defecto en su material o fabricación. Existen dos opciones para reemplazar o reparar el producto defectuoso, sin costo.

La primera, la cual resultará sólo en un cambio, es devolver el producto al vendedor del cual fue comprado (siempre que sea un local participante). Las devoluciones deberán realizarse durante el plazo especificado en la política de devoluciones del vendedor (generalmente entre 30 y 90 días después de la fecha de compra). Puede que sea necesario presentar prueba de compra. Por favor averigüe cuál es la política del vendedor para devoluciones efectuadas más allá del plazo para cambios. La segunda opción es llevar o enviar el producto (con franqueo pagado) a un Centro de Servicio autorizado o al Centro de Servicio Black & Decker para su reparación o reemplazo, a decisión nuestra. Puede que sea necesario presentar prueba de compra. Los Centros de Servicio autorizados y Centros de Servicio Black & Decker se encuentran en las páginas amarillas bajo "Herramientas eléctricas".

Esta garantía no aplica a los accesorios. Esta garantía le da derechos legales específicos además de los cuales puede tener otros, los cuales varían entre estados. Si tuviese alguna pregunta, contacte al gerente de su Centro de Servicio Black & Decker más cercano. Este producto no es para uso comercial.

## Sustitución gratuita de las etiquetas de advertencia:

Si sus etiquetas de advertencia se vuelven ilegibles o se pierden, llame al 1-800-544-6986 para conseguir repuestos gratuitos.

## PARA REPARACION Y SERVICIO DE SUS HERRAMIENTAS ELECTRICAS FAVOR DE DIRIGIRSE AL CENTRO DE SERVICIO MAS CERCANO

CULIACAN	Av. Nicolas Bravo #1063 Sur	(56 77) 12 42 10
GAUDALAJARA	Av. La Paz #1770	(33 38) 26 69 78
LEON	Polara #32	(47 77) 13 14 56
MEXICO	Sonora #134 Hipodromo Condesa	(55 55) 53 99 79
MERIDA	Calle 63 #459	(99 99) 23 54 90
MONTERREY	Av. Francisco I. Madero Pte. 1820-A	(81 83) 72 11 25
PUEBLA	17 Norte #2057	(22 22) 46 90 20
QUERETARO	Av. Madero 139 Pte.	(44 22) 14 60 60
SAN LOUIS POTOSI	Pedro Moreno #408 Fracc. la Victoria	(44 48) 14 25 67
TORREON	Blvd. Independencia, 96 pte.	(87 17) 16 52 65
VERACRUZ	Prolongación Diaz Miron #4280	(29 99) 21 70 18
VILLAHERMOSA	Zaragoza #105	(99 33) 12 53 17

## PARA OTRAS LOCALIDADES LLAME AL: (55) 5326-7100 INFORMACIÓN DE SERVICIO

Especificaciones
BDPHS1400
Cargador:
Entrada: 120 V AC 60 Hz 15W
Salida: 17.4V DC 210mA
(NOM 17,4V)

Especificaciones
BDPHS1800
Cargador:
Entrada: 120 V AC 60 Hz 18W
Salida: 21.75V DC 210mA
(NOM 21,75V)

Para servicio y ventas consulte "HERRAMIENTAS ELECTRICAS" en la sección amarilla.



IMPORTADOR: BLACK & DECKER S.A. DE C.V. BOSQUES DE CIDROS ACCESO RADIATAS NO. 42 BOSQUES DE LAS LOMAS, 05120 MEXICO, D.F. (55) 5326-7100

## Free Manuals Download Website

<http://myh66.com>

<http://usermanuals.us>

<http://www.somanuals.com>

<http://www.4manuals.cc>

<http://www.manual-lib.com>

<http://www.404manual.com>

<http://www.luxmanual.com>

<http://aubethermostatmanual.com>

Golf course search by state

<http://golfingnear.com>

Email search by domain

<http://emailbydomain.com>

Auto manuals search

<http://auto.somanuals.com>

TV manuals search

<http://tv.somanuals.com>