



BT2500 10" TABLE SAW

INSTRUCTION MANUAL



BEFORE RETURNING THIS
PRODUCT FOR ANY
REASON PLEASE CALL
1-800-54-HOW-TO (544-6986)

IF YOU SHOULD EXPERIENCE A PROBLEM
WITH YOUR BLACK & DECKER PRODUCT,
CALL 1-800-54-HOW-TO (544-6986)
BEFORE YOU CALL, HAVE THE FOLLOWING INFORMATION
AVAILABLE, CATALOG No., TYPE No., AND DATE CODE (e.g.
200130CTM). IN MOST CASES, A BLACK & DECKER REPRESENTATIVE
CAN RESOLVE YOUR PROBLEM OVER THE PHONE. IF YOU HAVE A SUGGESTION
OR COMMENT, GIVE US A CALL. YOUR FEEDBACK IS VITAL TO BLACK & DECKER.

GUIDE D'UTILISATION MANUAL DE INSTRUCCIONES

INSTRUCTIVO DE OPERACIÓN, CENTROS DE SERVICIO Y PÓLIZA DE GARANTÍA. **ADVERTENCIA:** LEASE ESTE INSTRUCTIVO ANTES DE USAR EL PRODUCTO. SI TIENE DUDAS, POR FAVOR LLAME.

TABLE OF CONTENTS

• Table Of Contents.....	2	Adjustment of Miter Gauge.....	10
• Rules For Safe Operation.....	3	Rip Fence Operation And Adjustment	10
• Electrical	3	• Micro Knob Adjustment.....	10
• Important Safety Instructions	3	• Replacing The Blade	10
• Saw Blade Guard And Spreader	4	• Leveling The Saw	11
• Kickbacks	4	• On - Off Switch	11
• Making A Push Stick.....	4	• Saw Blades	11
• Specifications	4	• Operation	11
• Necessary Hardware	5	Operating Instructions	11
• Unpacking	6	Ripping	11
• Tools Included	7	Bevel Ripping	12
• Tools You Will Need To Supply.....	7	Ripping Small Pieces	12
• Assembly	7	Crosscutting	12
Install The Four Legs	7	Bevel Crosscutting	12
Clean The Tabletop	7	Mitering.....	12
Handwheel Assembly	7	Compound Mitering	12
Attaching Right Front Rail	7	Dado Cutting	12
Attaching Left Front Rail.....	7	Dust Collection	12
Aligning And Leveling Front Rail Assembly	8	• Maintenance	13
Attaching Right And Left Table Extensions.....	8	Care Of Tabletop	13
Leveling Table Extensions To Tabletop	8	Lubrication	13
Attaching Rear Rails.....	9	Maintaining Fence System.....	13
Attaching Right Side Table Brace.....	9	• Accessories	13
Installing The Guard And Spreader Assembly	9	• Service Information.....	13
• Adjustments	9	• Warranty	13
Checking The Throat plate.....	9	• Push Stick Pattern	14
Adjusting The Bevel Stops	10		
Bevel Pointer Adjustment	10		

⚠️WARNING: FOR YOUR OWN SAFETY, READ INSTRUCTION MANUAL BEFORE OPERATING SAW

- ALWAYS WEAR EYE PROTECTION
- DO NOT WEAR GLOVES, NECKTIES, JEWELRY OR LOOSE CLOTHING
- CONTAIN LONG HAIR
- KEEP HANDS AND FINGERS OUT OF THE SAW BLADE PATH — USE EXTRA CAUTION WHEN BEVELING
- ALWAYS USE BLADE GUARD AND SPREADER FOR EVERY OPERATION FOR WHICH IT CAN BE USED, INCLUDING THROUGH SAWING
- USE A "PUSH STICK" WHEN REQUIRED
- KNOW HOW TO AVOID KICKBACKS — SEE MANUAL
- ALWAYS SUPPORT WORK WITH TABLE AND FENCE OR MITER GAUGE
- NEVER USE FENCE AND MITER GAUGE TOGETHER
- NEVER REACH AROUND OR OVER SAW BLADE
- SECURELY MOUNT SAW BLADE BEFORE OPERATING
- NEVER REMOVE JAMMED OR CUT-OFF PIECES UNTIL POWER IS OFF AND BLADE HAS STOPPED
- DO NOT EXPOSE TO RAIN OR USE IN DAMP LOCATIONS
- DO NOT OPERATE THIS MACHINE WHILE UNDER THE INFLUENCE OF ALCOHOL OR DRUGS
- FAILURE TO COMPLY WITH THESE WARNINGS MAY RESULT IN SERIOUS PERSONAL INJURY.

⚠️WARNING: When using electric tools, basic safety precautions should always be followed to reduce risk of fire, electric shock, and personal injury, including the following:

GROUNDING INSTRUCTIONS

In the event of a malfunction or breakdown, grounding provides a path of least resistance for electric current to reduce the risk of electric shock. This tool is equipped with an electric cord having an equipment-grounding conductor and grounding plug. The plug must be plugged into a matching outlet that is properly installed and grounded in accordance with all local codes and ordinances. Do not modify plug provided — if it will not fit the outlet, have the proper outlet installed by a qualified electrician.

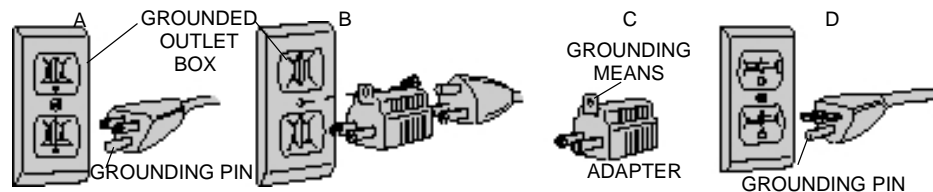
Improper connection of the equipment-grounding conductor can result in a risk of electric shock. The conductor with insulation having an outer surface that is green with or without yellow stripes is the equipment-grounding conductor. If repair or replacement of the electric cord or plug is necessary, do not connect the equipment-grounding conductor to a live terminal.

Check with a qualified electrician or service personnel if the grounding instructions are not completely understood, or if in doubt as to whether the tool is properly grounded.

Use only 3-wire extension cords that have 3-prong grounding plugs and 3-pole receptacles that accept the tool's plug.

REPAIR OR REPLACE DAMAGED OR WORN CORDS IMMEDIATELY.

Grounded tools intended for use on a supply circuit having a nominal rating less than 150 volts: This tool is intended for use on a circuit that has an outlet that looks like the one illustrated in Figure A. The tool has a grounding plug that looks like the plug illustrated in Figure A. A temporary adapter, which looks like the adapter illustrated in Figures B and C, may be used to connect this plug to a 2-pole receptacle as shown in Figure B if a properly grounded outlet is not available. The temporary adapter should be used only until a properly grounded outlet can be installed by a qualified electrician. The green-colored rigid ear, lug, and the like, extending from the adapter must be connected to a permanent ground such as a properly grounded outlet box. The adapter (C) is not for use in Canada.



IMPORTANT SAFETY INSTRUCTIONS

- **KEEP GUARDS IN PLACE** and in working order.
- **REMOVE ADJUSTING KEYS AND WRENCHES.** Form habit of checking to see that keys and adjusting wrenches are removed from tool before turning it on.
- **KEEP WORK AREA CLEAN.** Cluttered areas and benches invite injuries.
- **DON'T USE IN DANGEROUS ENVIRONMENT.** Don't use power tools in damp or wet locations, or expose them to rain. Keep work area well lit.
- **KEEP CHILDREN AWAY.** All visitors should be kept safe distance from work area.
- **MAKE WORKSHOP CHILD PROOF** with padlocks, master switches, or by removing starter keys.
- **DON'T FORCE TOOL.** It will do the job better and safer at the rate for which it was designed.
- **USE RIGHT TOOL.** Don't force tool or attachment to do a job for which it was not designed.
- **USE PROPER EXTENSION CORD.** Make sure your extension cord is in good condition. When using an extension cord, be sure to use one heavy enough to carry the current your product will draw. An undersized cord will cause a drop in line voltage resulting in loss of power and overheating. The following table shows the correct size to use depending on cord length and nameplate ampere rating. If in doubt, use the next heavier gauge. The smaller the gauge number, the heavier the cord.

Minimum Gauge for Cord Sets						
Volts	Total Length of Cord in Feet					
120V	0-25	26-50	51-100	101-150		
240V	0-50	51-100	101-200	201-300		
Ampere Rating		AWG				
More Than	Not more Than					
0	- 6	18	16	16	14	
6	- 10	18	16	14	12	
10	- 12	16	16	14	12	
12	- 16	14	12	Not Recommended		

- **WEAR PROPER APPAREL.** Do not wear loose clothing, gloves, neckties, rings, bracelets, or other jewelry which may get caught in moving parts. Nonslip footwear is recommended. Wear protective hair covering to contain long hair.
- **ALWAYS USE SAFETY GLASSES.** Also use face or dust mask if cutting operation is dusty. Everyday eyeglasses only have impact resistant lenses, they are not safety glasses.
- **DON'T OVERREACH.** Keep proper footing and balance at all times.
- **MAINTAIN TOOLS WITH CARE.** Keep tools sharp and clean for best and safest performance. Follow instructions for lubricating and changing accessories.
- **DISCONNECT TOOLS** before servicing; when changing accessories, such as blades, bits, cutters, and the like.
- **REDUCE THE RISK OF UNINTENTIONAL STARTING.** Make sure switch is in off position before plugging in. If power is interrupted to tool, turn off switch before restoring power.
- **USE RECOMMENDED ACCESSORIES.** Consult the instruction manual for recommended accessories. The use of improper accessories may cause risk of injury to persons.
- **NEVER STAND ON TOOL.** Serious injury could occur if the tool is tipped over or if the cutting tool is unintentionally contacted.
- **CHECK DAMAGED PARTS.** Before further use of the tool, a guard or other part that is damaged should be carefully checked to determine that it will operate properly and perform its intended function—check for alignment of moving parts, binding of moving parts, breakage

of parts, mounting, and any other conditions that may affect its operation. A guard or other part that is damaged should be properly repaired or replaced.

- **DIRECTION OF FEED.** Feed work into a blade or cutter against the direction of rotation of the blade or cutter only.
- **NEVER LEAVE TOOL RUNNING UNATTENDED. TURN POWER OFF.** Don't leave tool until it comes to a complete stop.

ADDITIONAL SAFETY RULES FOR TABLE SAWS

- Wear eye protection.
- Use saw-blade guard and spreader for every operation for which it can be used, including all through sawing.
- Keep hands out of line of saw blade.
- Use a push-stick when required.
- Know how to reduce risk of kickback.
- Do not perform any operation freehand.
- Never reach in back of or over saw blade.
- **USE A DUST MASK** and safety glasses when sawing. This saw is capable of generating large amounts of sawdust.
- Do not use lubricants or cleaners (particularly spray or aerosol) in the vicinity of the plastic guard. The polycarbonate material used in the guard is subject to attack by certain chemicals.

WARNING: Some dust created by power sanding, sawing, grinding, drilling, and other construction activities contains chemicals known to cause cancer, birth defects or other reproductive harm. Some examples of these chemicals are:

- lead from lead-based paints,
- crystalline silica from bricks and cement and other masonry products, and
- arsenic and chromium from chemically-treated lumber (CCA).

Your risk from these exposures varies, depending on how often you do this type of work. To reduce your exposure to these chemicals: work in a well ventilated area, and work with approved safety equipment, such as those dust masks that are specially designed to filter out microscopic particles.

SAW BLADE GUARD AND SPREADER

Your table saw is equipped with a blade guard and spreader assembly (Figure A part A and Figure 22 part C) that covers the blade and prevents accidental contact. The spreader is a flat plate that fits into the cut made by the saw blade and effectively fights kickback by lessening the tendency of the blade to bind in the cut. The spreader can only be used when making through cuts that sever the wood. When making dadoes, rabbits and other cuts that make less than through cuts, the blade guard and spreader assembly must be removed from the saw.

NOTE: Be sure to re-install guard and spreader after these cuts.

Two anti-kickback pawls are located on the sides of the spreader that allow the wood to pass through the blade in the cutting direction but lock it if it tries to move backwards toward the operator.

TERMS:

The following terms will be used throughout the manual and you should become familiar with them.

- **Through-Sawing** refers to any cut that completely severs the workpiece.
- **Push-Stick** refers to a wooden stick, usually home-made, that is used to push small workpieces through the saw and keeps the operator's hands clear of the blade.
- **Kickback** occurs when the saw blade binds in the cut and violently thrusts the workpiece back toward the operator.
- **Freehand** refers to cutting without the use of a miter gauge or rip fence or any other means of guiding or holding the workpiece other than the operator's hand.

KICKBACKS - HOW TO AVOID THEM AND PROTECT YOURSELF FROM POSSIBLE INJURY:

Kickback is a dangerous condition! It is caused by the workpiece binding against the blade. The result is that the workpiece can move rapidly in a direction opposite to the feed direction. During kickback, the workpiece could be thrown back at the operator. It can also drag the operator's hand back into the blade if the operator's hand is in the wrong place.

- 1.) Always use the guard and make certain it is in good working order. The guard's splitter helps prevent binding and the anti-kickback pawls on each side of the splitter minimize the possibility of kickback. Use extra caution until the workpiece is through the splitter and has engaged anti-kickback pawls.
- 2.) Do not saw warped, bowed or cupped wood. The workpiece must have one straight, smooth side to go against the rip fence or miter gauge. The workpiece must sit flat on the table without rocking.
- 3.) Do not cut "freehand". Always use either the rip fence or the miter gauge. Never use both.
- 4.) Use extra care when the guard assembly cannot be used (during dadoing or molding).
- 5.) Support large workpieces carefully. Allowing them to sag or droop can cause kickback.
- 6.) Be certain that the rip fence is parallel to the saw blade.
- 7.) Do not rip by applying the feed force to the section of the workpiece that will become the cut-off (free) piece. Feed force when ripping should always be applied between the saw blade and the fence; use a push stick for short work, 6" (152mm) wide or less. For less than 2" (51mm) wide, you must use a special fixture.
- 8.) Keep saw blade guard, splitter and anti-kickback pawls in place and operating properly. Keep pawls sharp. If pawls are not operational, return your unit to the nearest Black & Decker Service Center for repair. The splitter must be in alignment with the saw blade and the pawls must stop a kickback once it has started. Check their action before ripping.
- 9.) Plastic and composition (like hardboard) materials may be cut on your saw. However, since these are usually quite hard and slippery, the anti-kickback pawls may not stop a kickback. Therefore, be especially attentive to following proper set up and cutting procedures for ripping.
- 10.) Use saw blade guard and spreader for every operation for which it can be used, including all through sawing.

MAKING A PUSH STICK (BACK PAGE)

- In order to operate your table saw safely you must use a push-stick whenever the size or shape of the workpiece would cause your hands to be within 6 inches of the saw blade or other cutter.
- No special wood is needed to make a push-stick as long as it's sturdy and long enough. A length of 12 inches is recommended with a notch that fits against the edge of the workpiece to prevent slipping. It's a good idea to have several push sticks of the same length (12 inches) with different size notches for different workpiece thicknesses.
- See the inside back cover for a picture of a push stick. The shape can vary to suit your own needs as long as it performs its intended function of keeping your hands away from the blade.

SAVE THESE INSTRUCTIONS FOR FUTURE USE

SPECIFICATIONS

Table Size	23 1/2" x 40 1/2"
Miter Angle	60° L&R
Bevel Angle	2° Right to 47° Left
Blade Size	10" (254mm)
Max. Cut Depth	0° Bevel3-3/8" (79mm)
Max. Cut Depth	45° Bevel2-1/4" (54mm)
RPM, no load	4800

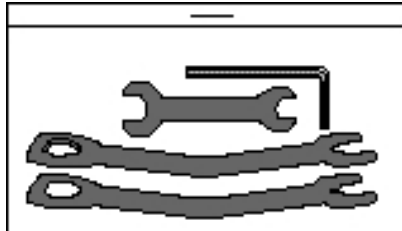
Necessary Hardware

There are five hardware bags which contain all the necessary nuts, bolts and washers to assemble the components included with the BT2500. The bags are organized as follows:

WRENCH BAG

Contents

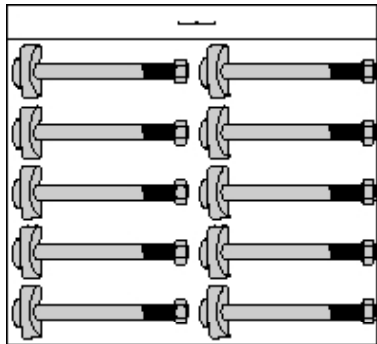
- 2 - Blade wrenches
- 1 - Combination wrench
- 1 - Allen wrench



LEG STAND HARDWARE

Contents

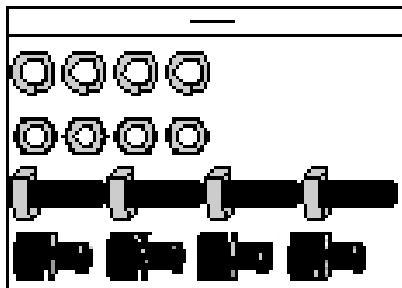
- 10 - Hex nuts
- 10 - Washers
- 10 - Pan head phillips screws



FRONT & REAR RAIL HARDWARE

Contents

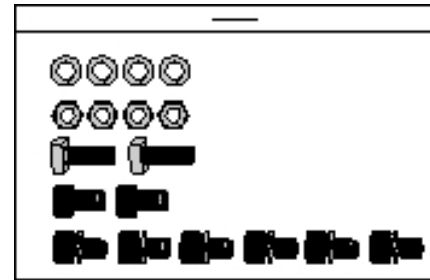
- 4 - Hex nuts
- 4 - Lockwashers
- 4 - Square head bolt
- 4 - Cap screws w/lockwashers



EXTENSION TABLE HARDWARE

Contents

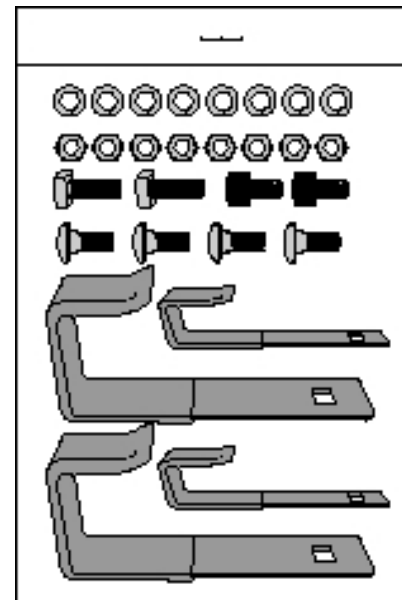
- 4 - Hex nuts
- 4 - Lockwashers
- 2 - Cap screws
- 2 - Square head bolts
- 6 - Cap screws w/lockwashers



FENCE & MITER GAUGE STORAGE HARDWARE

Contents

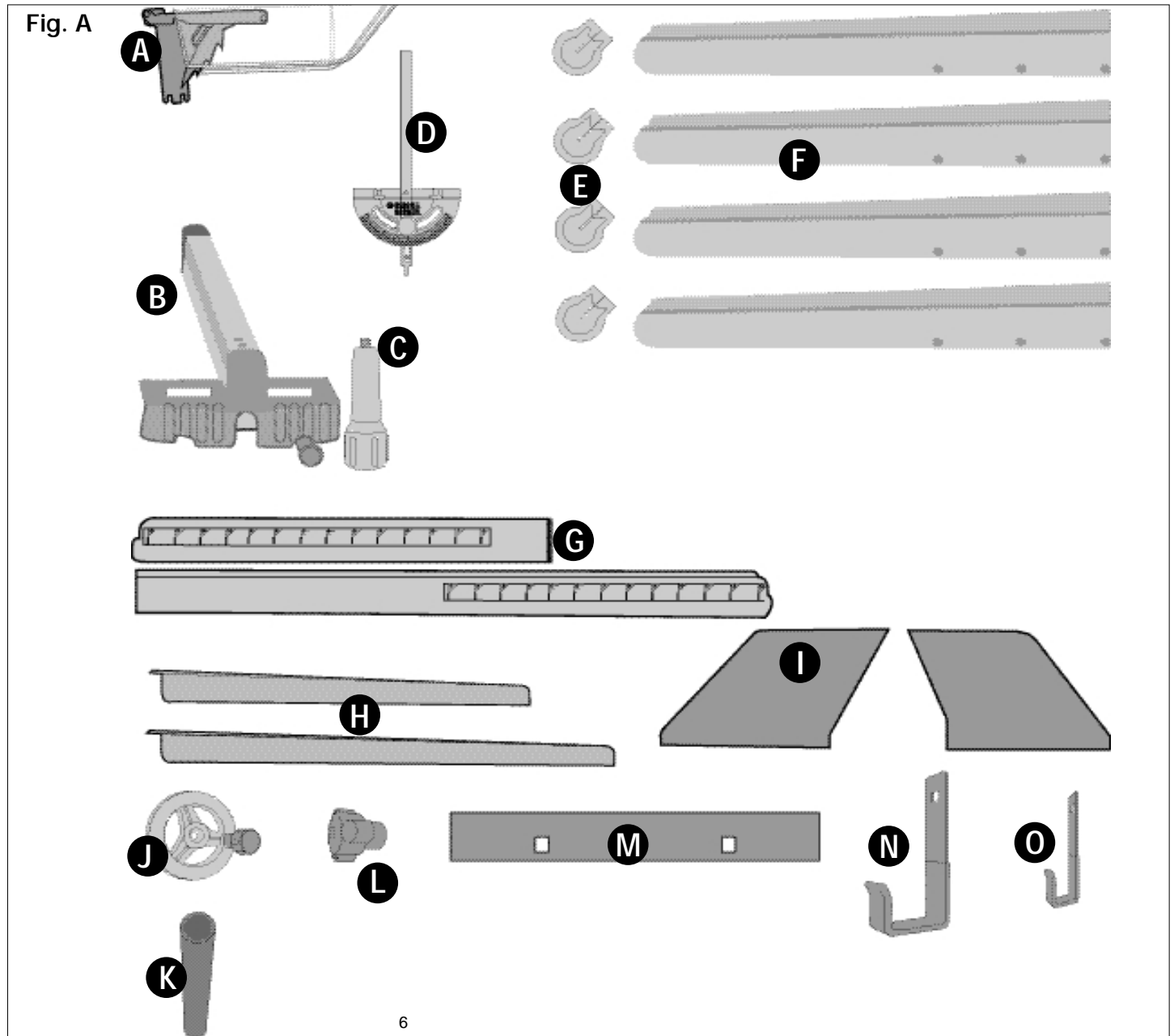
- 8 - Hex nuts
- 8 - Lockwashers
- 2 - Cap screws
- 4 - Carriage bolts
- 2 - Square head bolts
- 2 - Miter gauge hangers
- 2 - Fence hangers



UNPACKING & ASSEMBLY- FIG.A

Carefully unpack the table saw and all loose items from the carton. Examine all parts to make sure that parts have not been damaged during shipping. If any parts are missing or damaged, contact your dealer to replace them before attempting to assemble the tool. Illustrated below are all the loose items (excluding the hardware bags) packed with the saw.

- A. Blade guard assembly
- B. Rip fence assembly
- C. Rip fence handle
- D. Miter gauge assembly
- E. Feet (4)
- F. Legs (4)
- G. Front rails (2)
- H. Rear rails (2)
- I. Table extensions (2)
- J. Handwheel
- K. Sleeve
- L. Handwheel lockknob
- M. Table brace
- N. Rip fence storage bracket (2)
- O. Miter gauge storage bracket (2)



Assembly for BT2500

**PLEASE READ ENTIRE ASSEMBLY SECTION
BEFORE PROCEEDING.**

TOOLS INCLUDED

To aid you with assembly of your new saw, we have included the following tools.

- 6mm Allen Wrench
- 12mm/10mm Combination Wrench
- (2) Blade Wrenches

TOOLS YOU WILL NEED TO SUPPLY

- Phillips screwdriver
- Combination Square

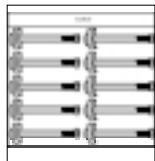
You will also need:

- Mild solvent cleaner such as mineral spirits, paint thinner or denatured alcohol.

STEP 1. Remove parts bags and all component parts from the carton and check the contents against the parts illustrated on pages 5 and 6.

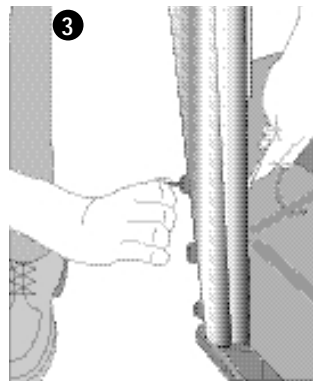
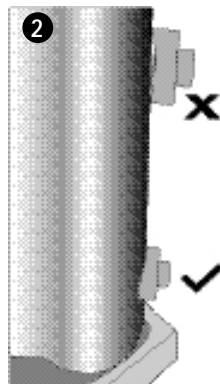
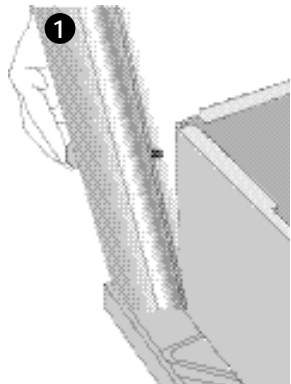
STEP 2. Remove the saw from the box and leave it in an upside down position. You may need help. The combined weight of the table top and motor assembly is approximately 100 lbs.

STEP 3. Install the four legs. (Figures 1,2,3)



With the saw assembly upside down, attach the legs using the 10 bolts in the leg stand hardware bag shown to the left. Insert the bolt through the hole in the leg as shown in Figure 1. (NOTE: All four legs are the same. The front legs use 3 bolts each and the back legs use 2 bolts each.) With the bolt inserted through the leg, insure that the curved portion of the plastic positioner is aligned with the curve of the leg as shown in Figure 2. Using the supplied hex wrench and the supplied 12mm wrench, attach the legs as shown in Figure 3.

NOTE: DO NOT OVERTIGHTEN. THE LEGS ARE HOLLOW AND WILL INDENT IF EXCESSIVE FORCE IS USED. Place the 4 rubber feet on the ends of the legs and have someone help you turn the assembly right side up.

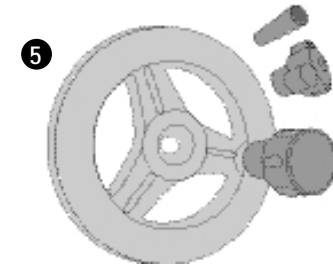
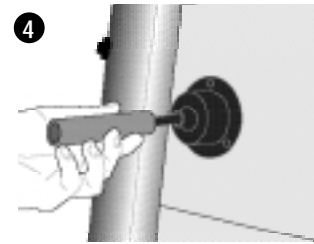


STEP 4. Clean the table top.

Before proceeding with the assembly of your saw, it is recommended that you clean the table top to remove the rust preventive coating. Clean the top with mineral spirits or denatured alcohol.

STEP 5. Handwheel assembly (Figures 4,5)

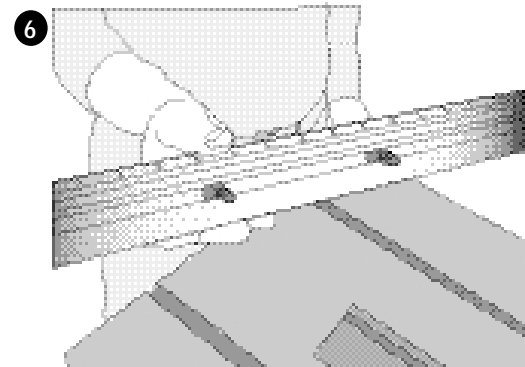
Bevel Adjustment Wheel (Right side of saw) Attach the sleeve (part K packed in styrofoam) to the shaft that extends from the side of the table saw as shown in Figure 4. Align the flat portion on the inside of the handwheel (part J) with the flat portion on the shaft. Thread on the handwheel lock knob (part L) but do not tighten at this time. **NOTE:** Lock knobs are for locking height and bevel settings once they are established.



STEP 6. Attach the right front rail (long section) to tabletop (Figure 6)

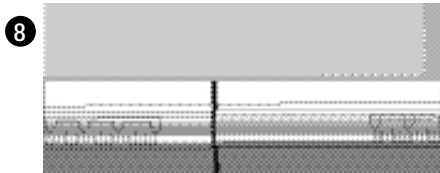
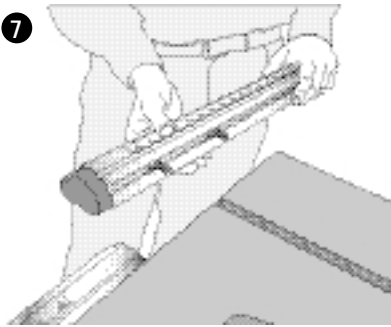


Insert two of the square head bolts from the front and rear rail hardware bag shown to the left, into the channel of the front rail as shown in Figure 6. Align the two bolts with the two holes on the right side of the tabletop. Push the bolts through the holes and loosely attach a lockwasher and hex nut onto the bolts. Slide the front rail to the right far enough to expose the two holes on the left side of the tabletop.



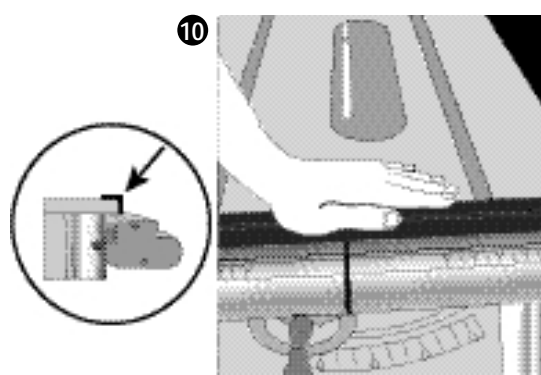
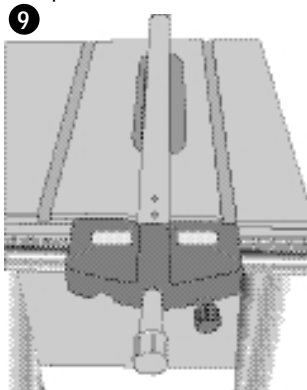
STEP 7. Attach the left front rail to tabletop (Figures 7,8)

Insert two of the square head bolts into the channel of the left front rail as shown in Figure 7. Align the two bolts with the two holes on the left side of the tabletop. Push the bolts through the holes and loosely attach a lockwasher and hex nut onto the bolts. Slide both sections of the front rails together and insert the black coupler on the left rail into the right rail as shown in Figure 8. At this time, move the front rail assembly so that the section where the two rails meet is approximately in line with the saw blade.

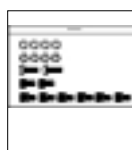


STEP 8. Aligning and leveling the front rail assembly (Figures 9,10)

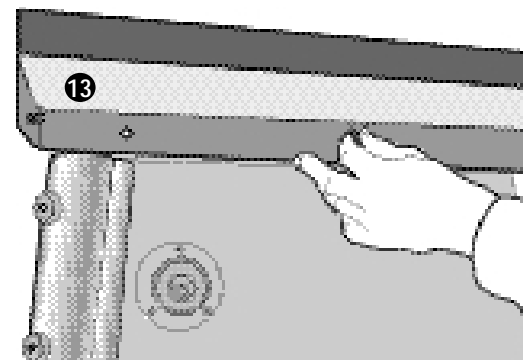
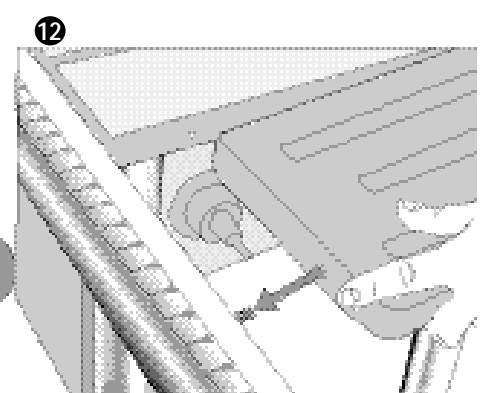
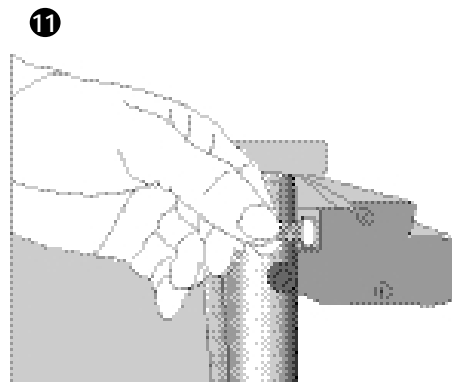
Loosen the lock knob in the center of the front hand crank and turn the crank handle clockwise to raise the blade so that it is approximately two inches above the tabletop. Thread the orange rip fence locking handle (part C) into the front of the rip fence (part B). Place the rip fence on the front rail to the right side of the blade as shown in Figure 9. Slightly push against the side of the rip fence and slide it over until it comes in contact with the blade. With the rip fence in position, tap the appropriate end of the front rail until the 0 marking on the scale aligns with the line in the window on the right side of the rip fence. (The left side will not line up until fence is on left side of blade.) Carefully lift off the rip fence without changing the rail position. Now that the front rail is in position, it is important to level it with the tabletop before tightening it down. To level the front rail, use the longer section of the rear rail (part H) as a straightedge and place it against the tabletop and against the front rail as shown in the insert in Figure 10. Pressing down on the straightedge (Figure 10) where the two rails meet will level the rails. Keeping the front rail firmly pressed down, tighten the hex nuts with the 12mm wrench supplied. Now place the fence on the left side of the blade to see if the pointer lines up. If not, loosen the phillips head screw and slide the plastic piece to align the red mark. **NOTE:** Remaining four capscrews will be used in step 11 to attach rear rail.



STEP 9. Attach the right and left table extensions (Figures 11,12,13)

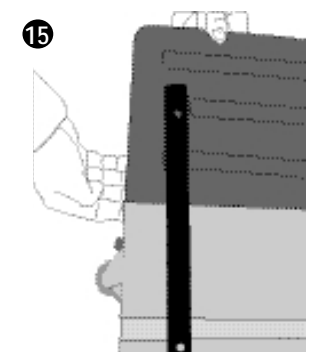
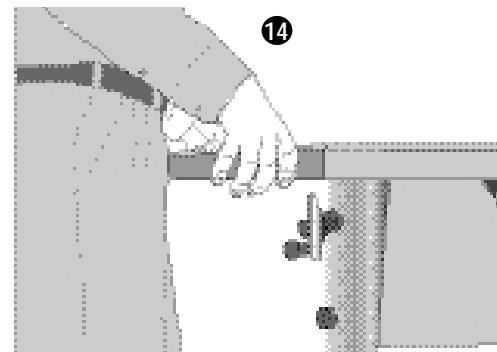


Insert a square head bolt from the extension table hardware bag shown to the left, into the channel opening at the end of the front rail as shown in Figure 11. Push the table extension onto the bolt in the rail (Figure 12). Place a lockwasher and nut on the bolt and tighten snug but not tight. Insert three capscrews with lockwashers into the edge of the extension and into the tabletop and tighten snug but not tight (Figure 13). Repeat for opposite side extension. **NOTE:** Remaining hardware will be used to attach rear of extension to rear rail in step 11.



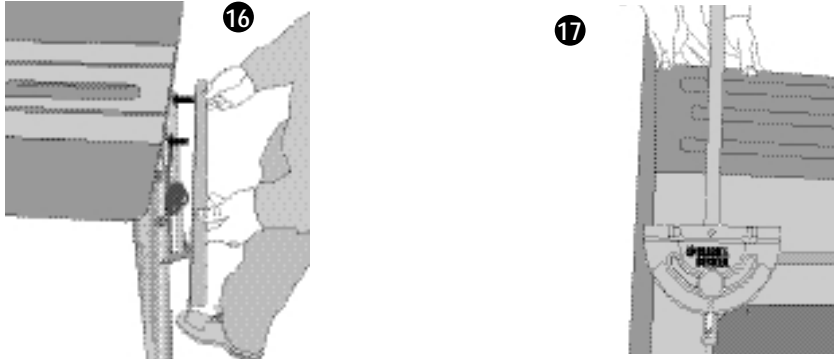
STEP 10. Leveling table extensions to tabletop (Figures 14,15).

Slide extension from the rear until it stops against the front rail (Figure 14). Lay a rear rail, as a straightedge, across the back edge of the tabletop and extension and lift up on the extension until it is flush with straightedge as shown in Figure 15. Tighten the rear most cap screw of the extension with the supplied hex wrench. Lay the straightedge across the front of the tabletop and extension and repeat the process of pulling up on the extension until it is level with the tabletop. Tighten the remaining two cap screws. With the straightedge still in place, level the outside portion of the extension and tighten the square head bolt in the front rail. Repeat this process for the left side table extension.



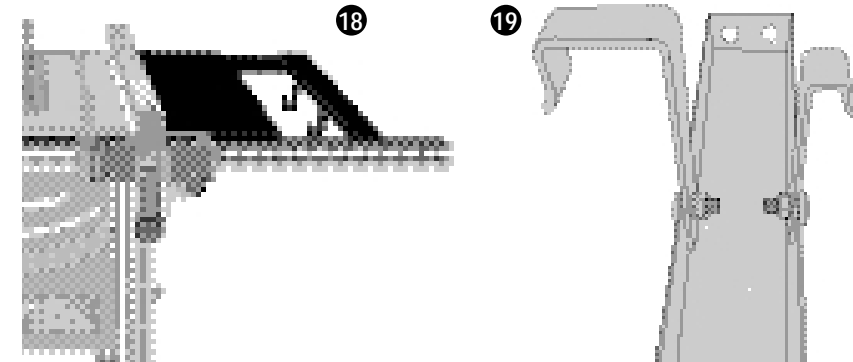
STEP 11. Attaching rear rails (Figures 16,17)

From the rear of the saw attach the longer rear rail to the left side of the tabletop (Figure 16) using three capscrews with lockwashers. **NOTE:** The capscrew that attaches to the table extensions will also require a hex nut (from table extension hardware bag). Using the miter gauge as a straightedge (Figure 17), level the outside edge of the table extension and tighten the two outside capscrews on the left side rear rail. Repeat the process for the other side extension. Level the two rear rails where they meet and tighten the two capscrews in the center of the tabletop.



STEP 12. Attach right side table brace (Figures 18,19)

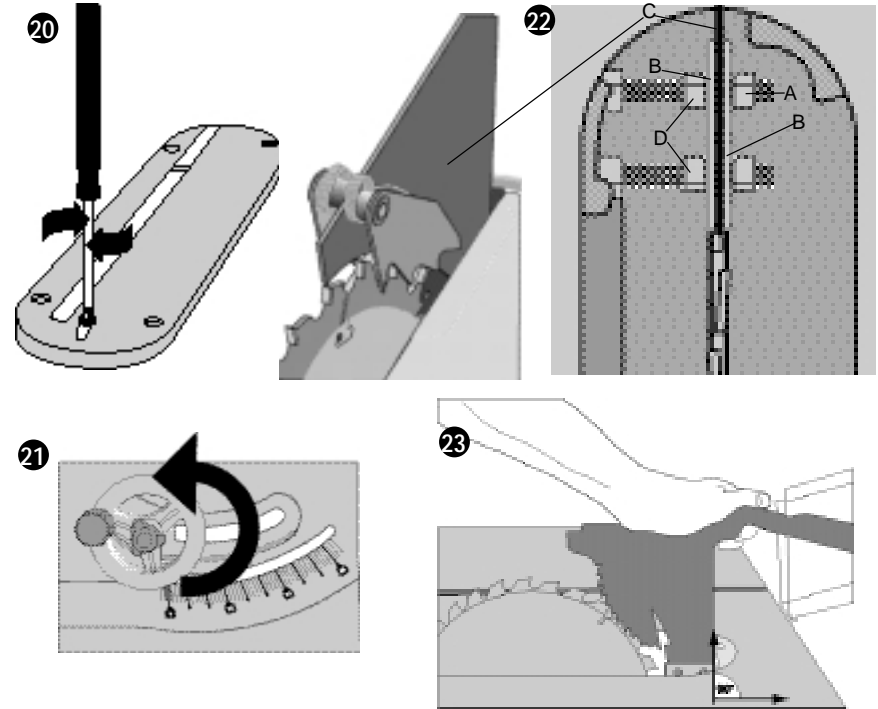
The table brace fits between the rear rail and the front rail as shown in Figure 18. It also serves as a convenient place to hold the miter gauge and rip fence when not in use. Assemble the brackets to the brace as shown in Figure 19 before attaching it to the rails. Use four round head carriage bolts, lockwashers and hex nuts from the fence and miter gauge storage hardware bag shown to the left. Insert two square head bolts into the channel of the front rail and attach the brace to the rail using two lockwashers and hex nuts. Use capscrews to attach the rear end of the brace. **NOTE:** The large brackets are for rip fence storage and are located on the outside edge of the brace.



STEP 13. Install the guard and spreader assembly (Figures 20,21,22,23)

Remove the throat plate as shown in Figure 20. Lower the blade to tabletop height by turning the blade height adjustment wheel (front of saw) counterclockwise (Figure 21). Loosen the outer guard retaining nuts (A), shown in Figure 22, enough so that the spreader will fit between the two guard retaining plates (B). Raise the blade to its highest setting. Install the spreader (C) and ensure that it is aligned with the blade and that the back edge of the spreader is 90 degrees to the tabletop. If not, the position is adjusted by moving the inner

guard clamp nuts (D) which changes the location where the spreader mounts. Make sure the spreader is centered and parallel to the blade by lining up the parts with a straightedge. Also make sure there is some clearance between the spreader and the blade and that the blade spins freely. Using one hand to keep the spreader straight up and down as shown in Figure 23, tighten nuts (A) with 10mm wrench supplied, lower blade and replace throat plate. If the spreader is not parallel to the blade up and down, simply bend it left or right until it is aligned with the blade at the top and bottom when the blade is at the full upright position. **IMPORTANT:** THE GUARD SHOULD BE IN PLACE FOR ALL POSSIBLE CUTS. When making non-through cuts, the guard can be easily removed by slightly loosening the outer guard nuts (A). The guard can easily be replaced without having to readjust the inner nuts.



Adjustments

PERFORM ALL ADJUSTMENTS WITH THE TABLE SAW UNPLUGGED.

NOTE: Your table saw is fully and accurately adjusted at the factory at the time of manufacture. If readjustment due to shipping and handling or any other reason is required, follow the steps below to adjust your saw.

Once made, these adjustments should remain accurate.

STEP 1. Checking the throat plate

To change the height of the throat plate, loosen the phillips head screw in the front of the throat plate and adjust the four setscrews on the throat plate with a 2.5mm hex wrench. When properly adjusted, the front of the throat plate should be flush or slightly below the surface of the table top, and the rear of the throat plate should be flush or slightly above the table top.

CAUTION: The table insert must be in place and securely fastened at all times.

STEP 2. Adjust the bevel stops

CAUTION: Turn off and unplug saw.

1. Loosen the bevel lock handle and turn the bevel angle handwheel clockwise until it stops.
2. Raise the blade to its highest position and lift the blade guard.
3. Check blade angle with a combination square from left side of the blade, keeping the square against the flat part of the blade and not touching the teeth or table insert.
4. If blade angle is wrong, turn the 90° stop screw (located to the left of the blade looking from the front) 1 time counterclockwise with a 4mm hex wrench.
5. Turn handwheel until blade is 90° to the tabletop as indicated with a square.
6. Turn 90° stop screw (left of blade) clockwise till slight resistance is felt.

NOTE: DO NOT OVERTIGHTEN.

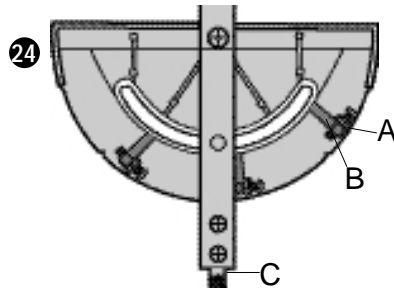
7. Check the 45° setting. Tilt the blade with the bevel handwheel as far as it will go to the left. Place square against the blade (be sure the square is not against one of the saw teeth). If the blade is not at 45°, unscrew the 45° stop screw (right of blade) turn handwheel 1 turn clockwise, then crank wheel counterclockwise to bring blade to 45° setting and tighten the screw. Recheck and repeat if necessary.

STEP 3. Bevel Pointer Adjustment

If bevel pointer does not point to "0", when blade is at 90° to the table top, loosen the pointer screw with a phillips screwdriver. (The screw is accessible through the handwheel and the curved slot in front of the saw.) Set the pointer to "0" and retighten the pointer screw.

STEP 4. Adjustment of Miter Gauge (Figure 24).

Your miter gauge features adjustable stops at 90° and 45° left and right. To adjust these stops, loosen the lock nuts (A) and tighten or loosen the three adjusting screws (B). Check the gauge with a combination square and tighten the three adjusting nuts. To set the miter gauge past the 45 degree stops, pull out on the stop pin (C) and continue to the required angle.



STEP 5. Rip Fence Operation and Adjustments (Figure 25)

CAUTION: The rip fence must be aligned parallel to the blade to minimize the danger of kickback.

For convenience sake, we will align the rip fence parallel to the saw blade. Your rip fence has two adjustment procedures. The first, "Fence Parallel to Saw Blade," is performed as follows:

1. Turn off and unplug table saw.
2. Raise blade to its full upright position at 90° to the table top.
3. Align the edge of the rip fence to the saw blade. Push the fence body firmly against the table top rail to ensure proper fit.
4. Push down the cam lock lever to lock the fence in place.
5. If the fence no longer aligns with the saw blade, an adjustment is necessary. To adjust, release cam lock lever and loosen (counterclockwise) the two 5mm alignment hex head bolts on the top of the fence near the front, as shown in Figure 25.
6. With the two alignment bolts loosened, push on the fence body and move the rear of the fence side to side as necessary to realign it with the blade. Re-tighten the two alignment bolts and check alignment. Repeat as necessary.

The procedure for making the other adjustment, "Fence Clamping Tension," is performed as follows:

If you are experiencing problems with the fence slipping:

1. Turn off and unplug table saw.
2. Release the cam lock lever.
3. To increase the clamping force of the rip fence, slowly tighten the tensioning nut (clockwise). This requires a 10mm socket at the back end of the fence.
4. When a reasonable amount of force is applied against the fence and it remains clamped stationary, proper adjustment has been achieved.

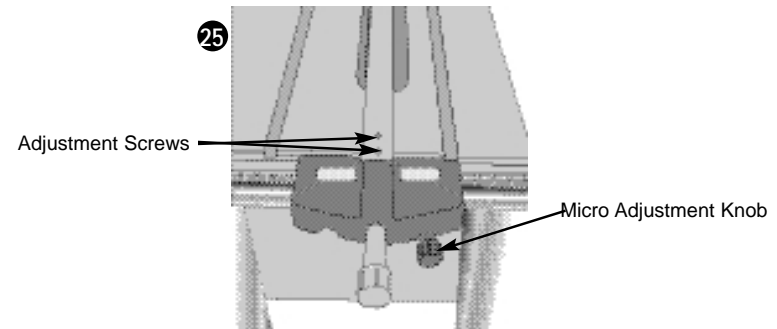
NOTE: DO NOT TIGHTEN the tensioning nut to the point where the fence does not slide easily on the table top.

IMPORTANT: To always obtain the best alignment of the rip fence, develop the habit of holding the front block on the fence against the table top rail while tightening the cam lock lever. Tighten the lock lever securely to prevent fence movement while sawing.

HINT: The rip scale pointer will need to be readjusted whenever a thicker or thinner blade is installed. To readjust the pointer, loosen the phillips head screw and slide the plastic piece to align the red mark. When making critical cuts, make a trial cut on scrap wood rather than relying on the rip, bevel or miter scales or stops.

MICRO ADJUSTMENT KNOB (FIGURE 25)

The micro adjustment knob is especially helpful when moving the rip fence left or right in small increments. Push in on the knob and turn to move the rip fence to desired location.

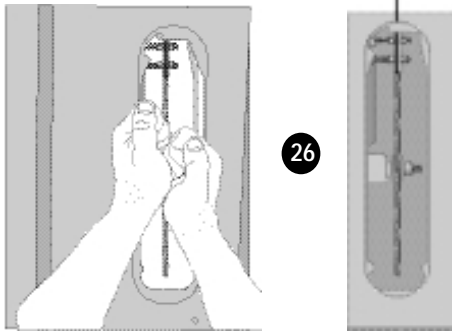


REPLACING THE BLADE (FIGURE 26).

CAUTION: Turn off and unplug saw.

1. Raise the saw blade approximately one inch above the table top by turning the blade height adjustment wheel (front of saw) clockwise.
2. Remove the throat plate by loosening the phillips head screw in the front of the plate and lifting the plate out.
3. Place one blade wrench provided with your saw, onto the flats on the blade arbor. Place the other blade wrench onto the arbor nut. Remove the arbor nut and flange from the saw arbor by turning counterclockwise (Figure 26). Place saw blade to its highest position and remove old blade.
4. Ensure the spindle and washers are free from dust and debris. Place the new saw blade on to the spindle making sure the teeth of the blade point down at the front of the table. Assemble the washer and arbor nut to the spindle and tighten arbor nut as far as possible by hand, making sure that the saw blade is against the inner flange and the large washer diameter is against the blade.
5. Lower the blade and place one blade wrench onto the flats on the blade arbor. Place the other blade wrench onto the arbor nut. Tighten the arbor nut by turning clockwise.

6. **NOTE:** Different types of blades make different kerfs (width of cuts). Therefore, it is necessary to check adjustment of rip fence pointer and blade guard splitter when changing blades.



LEVELING THE SAW

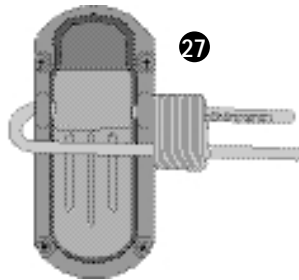
The saw can be leveled by loosening the bolts on the back legs and sliding the leg up or down slightly and retightening the bolts.

If the saw becomes unstable when cutting oversize or overweight workpieces, stop and secure the saw to the floor. To do this, remove the rubber feet and mount angle brackets to each leg after drilling 5/16" (8mm) diameter holes in each leg 1/4" (6.3mm) minimum from the end. "Angle brackets and mounting hardware to be obtained locally." Secure brackets to floor using the appropriate wood screws or concrete anchors as required.

ON-OFF SWITCH

Pull out the switch paddle to turn your saw ON and push it in to turn your saw OFF. A hole is provided in the switch for insertion of a padlock to lock the saw off as shown in Figure 27.

WARNING: Be sure switch is in the OFF position before plugging machine in.



SAW BLADES

THIS SAW IS INTENDED FOR THE USE WITH SAW BLADES 10" IN DIAMETER OR SMALLER.

1. The saw blade furnished with your new saw is a 10" (254mm) carbide tipped blade, used for cross cutting (across the grain) and ripping (with the grain). The center hole to fit on the arbor is 5/8" (16mm) diameter (.625").
2. There are many types of blades available to do specific and special jobs such as cross cut only, rip only, hollow ground, thin plywood, paneling, etc. These blades produce finer finish work, are more efficient and are easier on your saw. You will want to avail yourself of some of these as you become proficient with your projects.
3. Use only saw blades designed for maximum safe operating speeds of 6,000 RPM or greater.
4. Saw blades should always be kept sharp. It is recommended that you locate a reputable sharpening service to sharpen your blades when needed.

5. Never stack blades on top of one another to store. Place material such as cardboard between them to keep the blades from coming in contact with one another.

CAUTION: Abrasive wheels should not be used on this saw.

Operation

Plain sawing includes ripping and cross cutting, plus a few other standard operations of fundamental nature. The following methods feature safety. As with all power tools respecting the tool, using caution and following safe practices will considerably lessen the possibility of personal injury. However, if normal safety precautions are overlooked or completely ignored, personal injury to the operator can result. Read and follow all warnings indicated on the saw. Observe the safety rules included in this manual.

THIS SAW IS NOT INTENDED FOR CUTTING METALLIC WORK PIECES.

Operating Instructions

There are two basic types of cuts: *ripping* and *crosscutting*. In general, cutting with the grain is ripping and across the grain is crosscutting. However, with man made materials this distinction is somewhat difficult to make. Therefore, cutting a piece of wood to a different width is ripping and cutting across the short dimension is crosscutting. *Neither ripping or crosscutting may be done safely freehand!* Ripping requires the use of the rip fence and crosscutting uses the miter gauge.

CAUTION: Before using the saw each and every time verify the following:

1. Blade is tight.
2. Bevel angle and height lock knobs are tight.
3. If ripping, ensure fence lock lever is tight and fence is parallel to the blade.
4. If crosscutting, miter gauge knob is tight.
5. Safety glasses are being worn.
6. The blade guard is properly attached and the anti-kickback teeth are functioning.

Failure to adhere to these common safety rules can greatly increase the likelihood of injury.

RIPPING

1. Lock the rip fence by pressing the fence lock lever down. Remove the miter gauge.
2. Raise the blade so it is about 1/8" (3.2mm) higher than the top of the workpiece.
3. Hold the workpiece flat on the table and against the fence. Keep the workpiece about 1" (25.4mm) away from the blade.

CAUTION: The workpiece must have a straight edge against the fence and must not be warped, twisted or bowed. Keep both hands away from the blade and away from the path of the blade.

4. Turn the saw on and allow the blade to come up to speed. Both hands can be used in starting the cut. When there is approximately twelve (12) inches (305mm) left to be ripped, use only one hand, with your thumb pushing the material, your index and second finger holding the material down and your other fingers hooked over the fence. Always keep your thumb along side your first two fingers and near the fence.
5. Keeping the workpiece against the table and fence, slowly feed the workpiece rearward all the way through the saw blade. Continue pushing the workpiece until it is clear of the guard and it falls off the rear of the table. Do not overload the motor.
6. **NEVER** try to pull the workpiece back with the blade turning. Turn the switch off, allow the blade to stop, raise the anti-kickback teeth on each side of the splitter if necessary and slide the workpiece out.
7. When sawing a long piece of material or a panel, always use a work support. A sawhorse, rollers, or out feed assembly provides adequate support for this purpose. **The work support must be at the same height as the saw table.**

CAUTION: Never push or hold onto the "free" or "cut off" side of the workpiece.

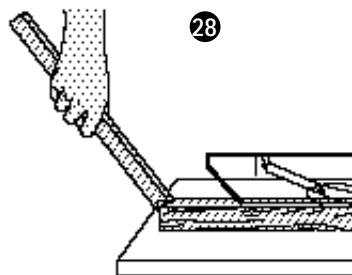
BEVEL RIPPING

This operation is the same as ripping except the bevel angle is set to an angle other than zero degrees.

WARNING: Before connecting the table saw to the power source or operating the saw, always inspect the guard and splitter for proper alignment and clearance with saw blade. Check alignment after each change of bevel angle.

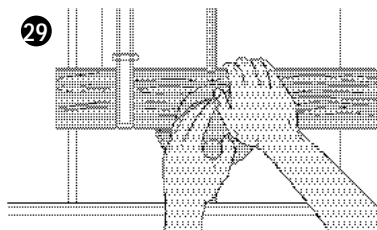
RIPPING SMALL PIECES

It is unsafe to rip small pieces. It is not safe to put your hands close to the blade. Instead, rip a larger piece to obtain the desired piece. When a small width is to be ripped and the hand cannot be safely put between the blade and the rip fence, use one or more push sticks. A pattern is included on the back cover to make push sticks. Use them to hold the workpiece against the table and fence, and push the workpiece fully past the blade. See Figure 28.



CROSSCUTTING

1. Remove the rip fence and place the miter gauge in the appropriate slot.
2. Adjust the blade height so that the blade is about 1/8" (3.2mm) higher than the top of the workpiece.
3. Hold the workpiece firmly against the miter gauge with the path of the blade in line with the desired cut location. Keep the workpiece an inch or so in front of the blade. **KEEP BOTH HANDS AWAY FROM THE BLADE AND THE PATH OF THE BLADE.**
4. Start the saw motor and allow the blade to come up to speed.
5. While using both hands to keep the workpiece against the face of the miter gauge, and holding the workpiece flat against the table, slowly push the workpiece through the blade. See Figure 29.



6. Never try to pull the workpiece with the blade turning. Turn the switch off, allow the blade to stop, and carefully slide with workpiece out.

CAUTION: Never touch or hold onto the "free" or "cut off" end of the workpiece.

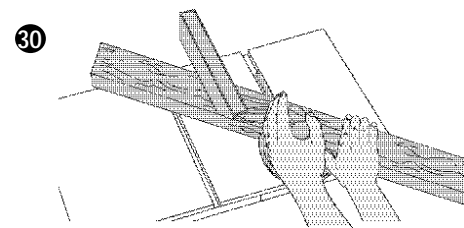
BEVEL CROSSCUTTING

This operation is the same as crosscutting except that the bevel angle is set to an angle other than 0°.

WARNING: Before connecting the table saw to a power source or operating the saw, always inspect the guard and splitter for proper alignment and clearance with saw blade. Check alignment after each change of bevel angle.

MITERING

This operation is the same as crosscutting except the miter gauge is locked at an angle other than 0°. Hold the workpiece **FIRMLY** against the miter gauge and feed the workpiece slowly into the blade (to prevent the workpiece from moving). See Figure 30.



COMPOUND MITERING

This is a combination of bevel crosscutting and mitering. It is infrequently used. Follow the instruction for both bevel crosscutting and mitering.

DADO CUTTING

CAUTION: Do not attempt to stack dado blades thicker than 13/16" (20.6mm). For any dado stack greater than 1/2" (12.7mm), remove the outer washer and do not use. Place the dado stack on the spindle and tighten the arbor nut with the blade wrench. Do not use dado blades larger than 8" (203mm) diameter.

NOTE: Dado cuts require a special dado insert catalog number BT510 sold separately.

Since Dado cuts are not through cuts, the cuts must be performed with the blade guard removed. To remove the guard/spreader assembly, loosen the two nuts (A) in Figure 22 and remove the guard assembly.

Anytime a cut is required that is considerably wider than the saw kerf, a dado is used. A dado cut is commonly used to add support and line up a shelf for a cabinet, bookcase or some such project. When using the dado, the guard must be removed. Use **EXTREME** care when using the dado without the guard. If a deep cut is required . . . use several successive passes rather than attempting to make it with one pass. Maximum dado width on this saw is 13/16" (20.6mm). **DO NOT USE WIDER COMBINATIONS.**

CAUTION: Always check dado blade clearance before plugging in the saw.

Be sure to place the guard back in position and check adjustments when the dado cuts are complete.

WARNING: Before connecting the table saw to the power source or operating the saw, always inspect the guard and splitter for proper alignment and clearance with saw blade. Check alignment after each change of bevel angle.

DUST COLLECTION

Your table saw is equipped with a dust shroud with a 2-1/2" (63.5mm) dust collection port. For best results, connect a vacuum to the port at the rear of the saw.

If the saw is operated without a vacuum attached, most of the dust will be blown out the dust collection port. After extended use, the saw's dust collection system may become clogged. To clear the dust collection system:

- a) Unplug the saw.
- b) Use a paint stick or long screwdriver to loosen debris and cut-offs and pass it out through the port.

When cutting wet wood without a vacuum, making long narrow cut-offs or when cutting with a dado blade, clean the dust collection port each time.

Maintenance

Use only mild soap and damp cloth to clean the tool. Never let any liquid get inside the tool; never immerse any part of the tool into a liquid.

IMPORTANT: To assure product SAFETY and RELIABILITY, repairs, maintenance and adjustment should be performed by authorized service centers or other qualified service organizations, always using identical replacement parts

CARE OF THE TABLE TOP

Protect your investment. Keep your table saw clean. If you notice signs of rust, steel wool the areas, clean with mineral spirits or denatured alcohol and apply paste wax.

MAINTAINING FENCE SYSTEM

Your fence should always slide freely. If it seems to require excessive force to slide or if it feels rough, wipe the rails and fence head gliding surface with a cloth or paper towel. Check the movement again. If it still feels rough, clean the fence head with a mild solvent such as denatured alcohol or mineral spirits. Re-coat the rail with a heavy coat of paste wax or a light oil. Slide the fence head back and forth several times to coat the rail and fence. Wipe off any excess wax or oil from the rail. If fence still does not move freely, refer to rip fence adjustment section.

LUBRICATION

First clean off any accumulated sawdust from the gears and the worms with a stiff brush. Next, remove any pitch or resin which has built up. You may need to use a solvent such as mineral spirits to remove it. Next, re-apply grease to the gears marked with arrows in Figure 30. You can also apply paste wax to the gears if you find that the grease is attracting too much sawdust. **NOTE:** Keep all spray lubricants away from upper guard.

Over time, the lubricants used in the mechanism of your table saw may need to be replenished.



ACCESSORIES

Recommended accessories for use with your tool are available from your local dealer or authorized service center. If you need assistance regarding accessories, please call:

1-800-54-HOW-TO. (800-544-6986).

WARNING: The use of any accessory not recommended for use with this tool could be hazardous.

SERVICE INFORMATION

Black & Decker offers a full network of company-owned and authorized service locations throughout North America. All Black & Decker Service Centers are staffed with trained personnel to provide customers with efficient and reliable power tool service.

Whether you need technical advice, repair, or genuine factory replacement parts, contact the Black & Decker location nearest you.

To find your local service location, refer to the yellow page directory under "Tools—Electric" or call: **1-800-54-HOW-TO (800-544-6986).**

FULL TWO-YEAR HOME USE WARRANTY

Black & Decker (U.S.) Inc. warrants this product for two years against any defects in material or workmanship. The defective product will be replaced or repaired at no charge in either of two ways.

The first, which will result in exchanges only, is to return the product to the retailer from whom it was purchased (provided that the store is a participating retailer). Returns should be made within the time period of the retailer's policy for exchanges (usually 30 to 90 days after the sale). Proof of purchase may be required. Please check with the retailer for their specific return policy regarding returns that are beyond the time set for exchanges.

The second option is to take or send the product (prepaid) to a Black & Decker owned or authorized Service Center for repair or replacement at our option. Proof of purchase may be required. Black & Decker owned and authorized Service Centers are listed under "Tools—Electric" in the yellow pages of the phone directory.

This warranty does not apply to accessories. This warranty gives you specific legal rights and you may have other rights which vary from state to state and province to province. Should you have any questions, contact the manager of your nearest Black & Decker Service Center. This product is not intended for commercial use.

Push Stick Pattern Modèle de bâton pour pousser Patrón de palanca para empujar

CAUTION

Make push stick from plywood or hardwood equal to or less than the width of the material to be cut.

MISE EN GARDE

Fabriquer le bâton avec du contreplaqué ou du bois franc, d'une largeur au plus égale à celle du matériau à découper.

PRECAUCION

Haga una palanca para empujar con madera o madera contraplacada igual o menor al espesor del material que va a cortar.

Adjust length of push stick so hand will clear blade guard and rip fence.

Régler la longueur du bâton pour pousser de sorte que la main reste loin du protecteur et du guide de refente.

Ajuste la longitud de la vara para que la mano pase libre por la guarda del disco y la guía.

OPTIONAL HANGING HOLE
TROU DE SUSPENSION FACULTATIF
ORIFICIO OPCIONAL PARA COLGAR

NOTCH TO HELP PREVENT HAND FROM SLIPPING
ENCOCHE PRÉVENANT LE GLISSEMENT DE LA MAIN
CURVA PARA AYUDAR A EVITAR QUE LA MANO SE DESLICE

CUT OFF HERE TO PUSH 1/4" (6.3mm) WOOD
DÉCOUPER ICI POUR POUSSER DU BOIS D'UNE ÉPAISSEUR DE 6,3 mm (1/4 po)
CORTE AQUI PARA EMPUJAR MADERA DE 6,3 mm (1/4")

CUT OFF HERE TO PUSH 1/2" (12.7mm) WOOD
DÉCOUPER ICI POUR POUSSER DU BOIS D'UNE ÉPAISSEUR DE 12,7 mm (1/2 po)
CORTE AQUI PARA EMPUJAR MADERA DE 12,7 mm (1/2")



SCIE D'ÉTABLI BT2500 DE 254 MM (10 PO)

GUIDE D'UTILISATION



AVANT DE RETOURNER CE
PRODUIT POUR QUELQUE
RAISON QUE CE SOIT, COM-
POSEZ LE 1 800 544-6986.

SI VOUS ÉPROUVEZ DES PROBLÈMES CONCER-
NANT VOTRE OUTIL BLACK & DECKER,
COMPOSEZ LE 1 800 544-6986.

AVANT D'APPELER, VEUILLEZ VOUS ASSURER D'AVOIR L'INFOR-
MATION SUIVANTE À PORTÉE DE LA MAIN : LE NUMÉRO DE CAT-
ALOGUE, LE NUMÉRO DE PRODUIT ET LE CODE DE DATATION (P.
EX., 0130M). DANS LA MAJORITÉ DES CAS, LE REPRÉSENTANT
DE BLACK & DECKER SERA EN MESURE DE RÉSOUDRE LE
PROBLÈME PAR TÉLÉPHONE. VEUILLEZ NOUS FAIRE PART DE
VOS QUESTIONS OU DE VOS COMMENTAIRES EN COMPOSANT
LE MÊME NUMÉRO, CAR CEUX-CI AIDENT À ASSURER LA
QUALITÉ DE NOTRE SERVICE.

TABLE DES MATIÈRES

• Table des matières	16	Réglage de la jauge à onglets	24
• Consignes de sécurité	17	Fonctionnement et réglage du guide de refend	24
• Électricité	17	• Bouton de micro-réglages	25
• Consignes de sécurité importantes	17	• Remplacement de la lame	25
• Protège-lame et couteau séparateur	18	• Mise à niveau de la scie	25
• Rebonds	18	• Interrupteur de marche-arrêt	25
• Bâton poussoir	18	• Lames de scie	25
• Caractéristiques	19	• Fonctionnement	25
• Ferrures requises	19	Mode d'emploi	26
• Déballage	20	Coupe en long	26
• Outils fournis	21	Coupe en long biseautée	26
• Outils requis	21	Coupe en long de petites pièces	26
• Assemblage	21	Coupe transversale	27
Installation des quatre pattes	21	Coupe transversale biseautée	27
Nettoyage de la surface du plateau	21	Coupe en onglet	27
Assemblage de la roue	21	Coupe en onglet à angles combinés	27
Fixation du montant avant droit	21	Coupe à rainer	27
Fixation du montant avant gauche	21	Dépoussiérage	27
Alignement et mise à niveau du montant avant	22	• Entretien	27
Fixation de la rallonge du plateau à la surface du plateau	22	Entretien de la surface du plateau	27
Fixation des rallonges droite et gauche du plateau	22	Lubrification	27
Fixation des montants arrière	23	Entretien du système de guide	27
Fixation de la ferrure du tableau droit	23	• Accessoires	28
Installation du protège-lame et du couteau séparateur	23	• Information sur les services	28
• Réglages	24	• Garantie	28
Vérification de la plaquette amovible	24	• Modèle de bâton poussoir	29
Réglage des butées du biseau	24		
Réglage de l'indicateur du biseau	24		

AVERTISSEMENT : POUR ASSURER LA SÉCURITÉ DE L'UTILISATEUR, LIRE LE GUIDE D'UTILISATION AVANT DE SE SERVIR DE LA SCIE.

- TOUJOURS PORTER DES LUNETTES DE SÉCURITÉ.
- NE PAS PORTER DE GANTS, DE CRAVATE, DE BIJOUX NI DE VÊTEMENTS AMPLES
- COUVRIR OU ATTACHER LES CHEVEUX LONGS.
- GARDER LES MAINS ET LES DOIGTS HORS DU TRAJET DE LA LAME — FAIRE PREUVE D'UNE GRANDE PRUDENCE LORS DES COUPES EN BISEAU.
- TOUJOURS INSTALLER LE PROTÈGE-LAME ET LA BARRE D'ÉCARTEMENT AVANT CHAQUE UTILISATION LORSQUE LA TÂCHE L'EXIGE OU LORSQUE LA SCIE DOIT PÉNÉTRER COMPLÈTEMENT LE MATÉRIAU.
- UTILISER UN BÂTON POUSSOIR, AU BESOIN.
- S'ASSURER DE SAVOIR ÉVITER LES EFFETS DE REBOND • CONSULTER LE GUIDE D'UTILISATION.
- TOUJOURS SOUTENIR LA PIÈCE AU MOYEN DU PLATEAU ET DU GUIDE OU DE LA JAUGE À ONGLETS.
- NE JAMAIS UTILISER LE GUIDE ET LA JAUGE À ONGLETS ENSEMBLE.
- NE JAMAIS ÉTENDRE LES BRAS À PROXIMITÉ OU AU-DESSUS DE LA LAME.
- FIXER SOLIDEMENT LA LAME DE LA SCIE AVANT DE METTRE L'OUTIL EN MARCHÉ.
- NE JAMAIS RETIRER DES PIÈCES COUPÉES OU COINCÉES AVANT DE S'ÊTRE ASSURÉ QUE L'ALIMENTATION ÉLECTRIQUE EST COUPÉE ET QUE L'OUTIL S'EST ARRÊTÉ COMPLÈTEMENT.
- NE PAS EXPOSER L'OUTIL À LA PLUIE NI L'UTILISER DANS DES ENDROITS HUMIDES.
- NE PAS FAIRE FONCTIONNER L'OUTIL LORSQU'ON EST SOUS L'INFLUENCE DE L'ALCOOL OU DE DROGUES.
- LE NON-RESPECT DE CES AVERTISSEMENTS POURRAIT OCCASIONNER DES BLESSURES GRAVES.

AVERTISSEMENT : lorsqu'on utilise un outil électrique, on doit suivre les consignes de sécurité élémentaires, y compris les directives indiquées aux présentes, afin d'éviter les risques d'incendie, de choc électrique et de blessure.

DIRECTIVES CONCERNANT LA MISE À LA TERRE

En cas de défaillance ou de bris, la mise à la terre procure un chemin de faible résistance afin de réduire les risques de choc électrique. Cet outil est doté d'un cordon à conducteur et broche de terre; on doit en raccorder la fiche dans une prise murale appropriée, bien installée et mise à la terre, conformément à tous les codes et règlements en vigueur. On ne doit jamais tenter de modifier cette fiche; si elle ne s'adapte pas à la prise murale, on doit faire appel à un électricien qualifié pour l'installation de la prise appropriée. Si le conducteur de terre n'y est pas correctement relié, on s'expose à des risques de choc électrique (on reconnaît ce conducteur à son isolant vert, avec ou sans rayures jaunes). Ne pas raccorder le conducteur à une borne sous tension lorsqu'on doit remplacer ou réparer le cordon électrique ou sa fiche. Communiquer avec un technicien ou un électricien qualifié si les directives de mise à la terre ne sont pas claires ou, en cas de doute quant à cette directive. N'utiliser que des rallonges trifilaires munies d'une fiche à trois broches et des prises tripolaires aptes à les accepter.

IMPORTANTES CONSIGNES DE SÉCURITÉ

- **GARDER LES DISPOSITIFS DE PROTECTION EN PLACE** et en bon état de fonctionnement.
- **RETIRER LES CLÉS DE RÉGLAGE**; prendre l'habitude de s'assurer que les clés de réglage sont retirées de l'outil avant de le démarrer.
- **GARDER LA ZONE DE TRAVAIL PROPRE**; les espaces de travail et les établis encombrés sont propices aux accidents.
- **UTILISER L'OUTIL DANS DES ENDROITS APPROPRIÉS**; ne pas exposer l'outil à la pluie, ni l'utiliser dans des endroits humides ou mouillés. Garder la zone de travail bien éclairée.
- **TENIR LES ENFANTS À L'ÉCART**; s'assurer que personne ne s'approche de la zone de travail.
- **S'ASSURER QUE L'ATELIER EST SÛR POUR LES ENFANTS**; utiliser des cadenas, des interrupteurs centraux ou enlever les commandes de démarrage.
- **NE PAS FORCER L'OUTIL**; pour obtenir de meilleurs résultats et prévenir les risques de blessure, laisser l'outil couper à la vitesse pour laquelle il a été conçu.
- **UTILISER L'OUTIL APPROPRIÉ**; ne pas forcer l'outil ou l'accessoire, ni l'utiliser pour des travaux autres que ceux pour lesquels il a été conçu.
- **UTILISER LES RALLONGES APPROPRIÉES**; s'assurer que la rallonge électrique est en bon état et qu'elle est en mesure de porter le courant nécessaire à l'outil. Une rallonge de calibre inférieur entraînera une chute de tension se traduisant par une perte de puissance et une surchauffe. Le tableau ci-dessous illustre les calibres que l'on doit utiliser selon la longueur de la rallonge et l'intensité nominale indiquée sur la plaque signalétique. En cas de doute, utiliser le calibre suivant. Plus le calibre est petit, plus la rallonge peut porter de courant.

Calibre minimal des cordons de rallonge					
Tension	Longueur totale du cordon en pieds				
120 V	De 0 à 25	De 26 à 50	De 51 à 100	De 101 à 150	
240 V	De 0 à 50	De 51 à 100	De 101 à 200	De 201 à 300	
Intensité (A)		Calibre moyen de fil (AWG)			
Au moins	Au plus				
0	- 6	18	16	16	14
6	- 10	18	16	14	12
10	- 12	16	16	14	12
12	- 16	14	12	Non recommandé	

- **PORTER DES VÊTEMENTS APPROPRIÉS**; ne pas porter de vêtements amples ni de gants, de cravate, de bague, de bracelet ou d'autres bijoux, car ceux-ci peuvent rester coincés dans les pièces mobiles. On recommande le port de chaussures antidérapantes. Couvrir ou attacher les cheveux longs.
- **TOUJOURS PORTER DES LUNETTES DE SÉCURITÉ**; porter aussi un masque facial ou un masque anti-poussières lorsqu'on soulève de la poussière. Les lunettes ordinaires protègent uniquement les yeux contre les chocs et ne sont pas des lunettes de protection.
- **IMMOBILISER LA PIÈCE**; si possible, retenir la pièce au moyen d'un étau ou de butées fixes.
- **NE PAS TROP ÉTENDRE LES BRAS**; les pieds doivent rester ancrés fermement au sol afin de maintenir son équilibre en tout temps.
- **BIEN ENTREtenir L'OUTIL**; afin d'obtenir de meilleurs résultats et faire preuve de prudence, garder l'outil propre et bien aiguisé. Suivre les consignes lorsqu'on lubrifie ou qu'on remplace les accessoires.
- **DÉBRANCHER L'OUTIL** avant de procéder à l'entretien ou de remplacer des accessoires comme les lames, les mèches, les organes de coupe, etc.
- **RÉDUIRE LES RISQUES DE DÉMARRAGE ACCIDENTEL**; s'assurer que l'interrupteur est en position d'arrêt avant de brancher l'outil. Si le courant est coupé, mettre l'interrupteur hors tension avant de rétablir l'alimentation électrique.
- **UTILISER LES ACCESSOIRES RECOMMANDÉS**; consulter le guide d'utilisation pour connaître les accessoires appropriés. L'utilisation d'accessoires autres que ceux recommandés pourrait entraîner des blessures.

- **NE JAMAIS METTRE LES PIEDS SUR L'OUTIL**; si l'outil se renverse ou est accidentellement mis en marche, il pourrait entraîner des blessures graves.
- **VÉRIFIER LES PIÈCES ENDOMMAGÉES**; avant de poursuivre les travaux, on doit examiner attentivement les dispositifs de protection, ou toute autre pièce endommagée, afin de s'assurer qu'il fonctionne toujours adéquatement et qu'il est en mesure d'effectuer les travaux pour lesquels il a été conçu. Vérifier les pièces mobiles afin de s'assurer qu'elles sont bien alignées et qu'elles ne restent pas coincées; vérifier également les pièces et les assemblages afin de s'assurer qu'il n'y a aucun bris ni aucune autre condition susceptible de nuire au bon fonctionnement de l'outil. On doit faire réparer ou remplacer toute pièce endommagée, y compris les dispositifs de protection.
- **TOUJOURS RESPECTER LE SENS D'AVANCE**; ne jamais faire avancer la pièce dans le sens de rotation de la lame ou de l'organe de coupe.
- **NE JAMAIS LAISSER L'OUTIL FONCTIONNER SANS SURVEILLANCE**; **COUPER L'ALIMENTATION ÉLECTRIQUE** et attendre que l'outil s'arrête complètement avant de quitter les lieux.

CONSIGNES DE SÉCURITÉ ADDITIONNELLES CONCERNANT LES SCIES D'ÉTABLI

- Porter des lunettes de protection.
- Toujours installer le protège-lame et la barre d'écartement lorsque la tâche l'exige ou lorsque la scie doit pénétrer complètement le matériau.
- Garder les mains hors du trajet de la lame.
- Utiliser un bâton poussoir, au besoin.
- S'assurer de savoir éviter les effets de rebond.
- Ne jamais effectuer de travaux à main levée.
- Ne jamais étendre les bras à proximité ou au-dessus de la lame.
- **UTILISER UN MASQUE ANTI-POUSSIÈRES** et des lunettes de sécurité lorsqu'on fait fonctionner la scie, car elle peut produire une grande quantité de poussière.
- **NE PAS** utiliser de lubrifiants ni de détergents (particulièrement des produits pulvérisés ou en aérosol) à proximité du dispositif de protection en plastique; fabriqué en polycarbonate, ce dernier risque d'être gravement endommagé par certains produits chimiques.

AVERTISSEMENT : certains outils électriques, tels que les sableuses, les scies, les meules, les perceuses ou certains autres outils de construction, peuvent produire de la poussière contenant des produits chimiques susceptibles d'entraîner le cancer, des malformations congénitales ou pouvant être nocifs pour le système reproductif. Parmi ces produits chimiques, on retrouve :

- le plomb dans les peintures à base de plomb,
- la silice cristalline dans les briques et le ciment et autres produits de maçonnerie,
- l'arsenic et le chrome dans le bois de sciage ayant subi un traitement chimique (comme l'arséniate de cuivre et de chrome).

Le risque associé à de telles expositions varie selon la fréquence avec laquelle on effectue ces travaux. Pour réduire l'exposition à de tels produits, il faut travailler dans un endroit bien aéré et utiliser le matériel de sécurité approprié, tel un masque anti-poussières spécialement conçu pour filtrer les particules microscopiques.

PROTÈGE-LAME ET BARRE D'ÉCARTEMENT

La scie d'établi est munie d'un ensemble formé d'un protège-lame et d'une barre d'écartement (figure B, section A et figure 22) qui recouvre la lame afin d'empêcher tout contact accidentel. La barre d'écartement est une plaque plane qui s'emboîte dans l'entaille produite par la lame et prévient efficacement les effets de rebond en réduisant le coincement de la lame, qui a tendance à rester bloquée dans l'entaille. On ne peut utiliser la barre d'écartement que lorsque la scie pénètre complètement le matériau et que la pièce se sépare. On doit retirer l'ensemble protège-lame / barre d'écartement lorsqu'on réalise certaines coupes, comme une coupe à rainer, ou lorsque la scie ne pénètre pas complètement le matériau. Deux linguets anti-recul situés sur les côtés de la barre d'écartement permettent au bois de passer à travers la lame dans la direction de coupe, mais la verrouille lorsque la lame tente de reculer vers l'opérateur.

TERMES :

Les termes suivants seront utilisés tout au long du présent guide; il est donc important de les connaître.

- **Coupe bord-en-bord** : toute coupe qui sépare complètement la pièce.
- **Bâton poussoir** : bâton de bois, normalement de fabrication artisanale, qui sert à pousser des pièces de petite dimension dans la scie et à garder les mains hors du trajet de la lame.
- **Recul** : effet causé lorsque la lame reste coincée dans une entaille, entraînant un recul brusque de la pièce vers l'opérateur.
- **à main levée** : coupe réalisée sans jauge à onglets ni guide de refend, ou tout autre dispositif de guidage n'offrant aucun support autre que les mains de l'opérateur.

LES REBONDS – COMMENT LES ÉVITER ET SE PROTÉGER CONTRE LES RISQUES DE BLESSURE

Les rebonds représentent une situation dangereuse! Lorsque la pièce reste coincée contre la lame, elle peut se soulever et reculer brusquement vers l'opérateur ou entraîner sa main dans la lame si elle se trouve sur son trajet.

- 1.) Toujours utiliser le protège-lame et s'assurer qu'il est en bon état de fonctionnement. Le couteau séparateur du protège-lame aide à prévenir le coincement de la lame, tandis que les linguets anti-recul situés de chaque côté du couteau séparateur servent à réduire au minimum les effets de rebond. On doit faire preuve d'une grande prudence avant d'engager la pièce dans le couteau séparateur et d'actionner les linguets anti-recul.
- 2.) Ne pas scier une pièce gauchie, courbée ou déformée. La pièce doit avoir un côté lisse et droit qu'on peut appuyer contre le guide de refend ou la jauge à onglets et reposer à plat sur le plateau sans basculer.
- 3.) Ne pas effectuer de travaux à main levée. Toujours utiliser un guide de refend ou une jauge à onglets, mais jamais les deux ensemble.
- 4.) Faire preuve d'une grande prudence lorsqu'on ne peut pas utiliser le dispositif de protection (p. ex., lorsqu'on effectue une coupe à rainer ou la coupe de moulures).
- 5.) Bien soutenir les grands panneaux, car ils tendent à s'affaisser sous leur poids, ce qui pourrait provoquer un rebond.
- 6.) S'assurer que le guide de refend est parallèle à la lame de la scie.
- 7.) Ne pas effectuer une coupe en long en appliquant une force d'avance sur la section coupée qui se détache. On doit toujours exercer la pression entre la lame et le guide. Utiliser un bâton poussoir pour les planches courtes (152 mm ou 6 po de large ou moins) et une ferrure spéciale pour les pièces ayant une largeur maximale de 51 mm ou 2 po.
- 8.) S'assurer que le protège-lame, le couteau séparateur et les linguets anti-recul sont bien en place et qu'ils fonctionnent bien. Maintenir les linguets bien aiguisés; s'ils ne fonctionnent pas, retourner l'outil au centre de service Black & Decker le plus près afin de les faire réparer. Le couteau séparateur doit être bien aligné avec la lame de scie et les linguets doivent arrêter le rebond une fois qu'il est amorcé. Vérifier le fonctionnement de ces mécanismes avant de procéder à une coupe en long.
- 9.) Bien qu'on puisse utiliser la scie pour couper des matières plastiques et des panneaux d'agglomérés (comme le bois dur, par exemple), il se peut que les linguets anti-recul n'arrêtent pas le rebond puisque ces matériaux sont normalement très durs et glissants. Il importe donc de faire particulièrement attention et de bien suivre les méthodes d'installation et de coupe en long appropriées.
- 10.) Toujours installer le protège-lame et la barre d'écartement lorsque la tâche l'exige ou lorsque la scie doit pénétrer complètement le matériau.

FABRICATION D'UN BÂTON POUSSOIR (COUVERTURE ARRIÈRE)

- Afin de pouvoir utiliser la scie d'établi en toute sécurité, on doit utiliser un bâton poussoir chaque fois que les mains risquent de se trouver à moins de 6 po de la lame ou de tout autre outil de coupe en raison de la forme ou de la dimension de la pièce.
- Aucun bois particulier n'est requis pour fabriquer un bâton poussoir, pourvu qu'il soit suffisamment robuste et de longueur appropriée. On recommande d'utiliser un bois de 12 po de longueur muni d'une encoche qui peut s'ajuster contre le bord de la pièce afin de l'em-

pêcher de glisser. On recommande de fabriquer plusieurs bâtons de même longueur (12 po) comportant des encoches de différentes dimensions pour des pièces de diverses épaisseurs.

- Voir la photo d'un bâton poussoir sur la couverture arrière intérieure. La forme peut varier selon les besoins, mais il doit toujours accomplir la fonction pour laquelle il a été conçu, soit de garder les mains éloignées de la lame.

CONSERVER LES PRÉSENTES DIRECTIVES À TITRE DE RÉFÉRENCE

CARACTÉRISTIQUES

Dimension du plateau	23 _ po sur 40 _ po
Angle d'onglet	60 °, à gauche et à droite
Angle de biseau de	2 ° à droite à 47 ° à gauche
Dimension de la lame	254 mm (10 po)
Profondeur de coupe maximale	angle de biseau de 0 ° : 79 mm (3 3/8 po)
Profondeur de coupe maximale	angle de biseau de 45 ° : 54 mm (2 _ po)
Vitesse de rotation à vide	4800

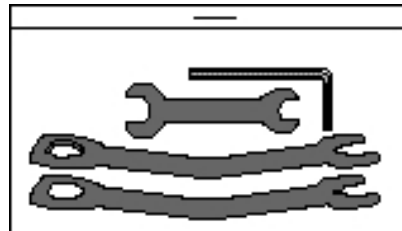
Ferrures requises

Cinq sacs de ferrures sont fournis; ils contiennent les écrous, les boulons et les rondelles nécessaires pour assembler les composants fournis avec la scie d'établi BT2500. Les ferrures sont réparties comme suit :

CLÉS

Contenu :

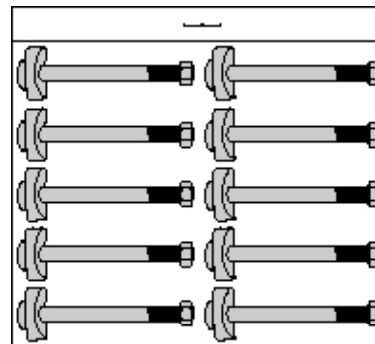
- 2 – Clés de réglage de lame
- 1 – Clé mixte
- 1 – Clé Allen



SUPPORT DE PATTES

Contenu :

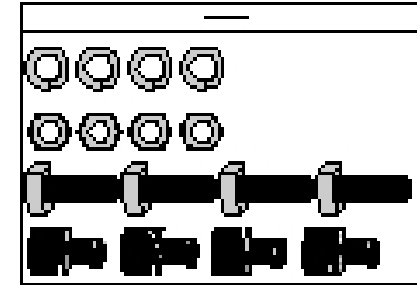
- 10 – Écrous hexagonaux
- 10 – Rondelles
- 10 – Vis Phillips à tête cylindrique



MONTANTS AVANT ET ARRIÈRE

Contenu :

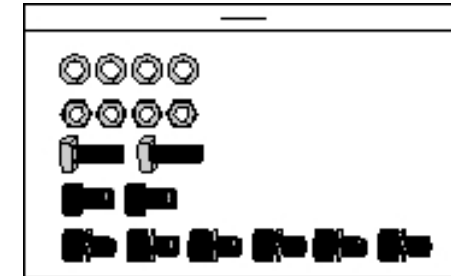
- 4 – Écrous hexagonaux
- 4 – Rondelles de blocage
- 4 – Boulons à tête carrée
- 4 – Vis d'assemblage avec rondelles de blocage



RALLONGE DU PLATEAU

Contenu :

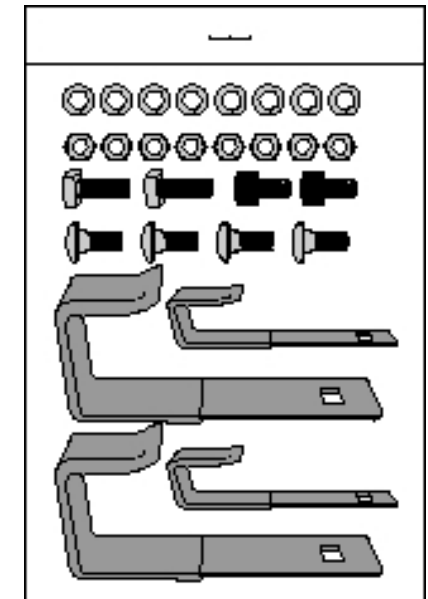
- 4 – Écrous hexagonaux
- 4 – Rondelles de blocage
- 2 – Vis d'assemblage
- 2 – Boulons à tête carrée
- 6 – Vis d'assemblage avec rondelles de blocage



FERRURE DE RANGEMENT DU GUIDE DE REFEND ET DE LA JAUGE À ONGLET

Contenu :

- 8 – Écrous hexagonaux
- 8 – Rondelles de blocage
- 2 – Vis d'assemblage
- 4 – Boulons à tête bombée
- 2 – Boulons à tête carrée
- 2 – Crochets pour jauge à onglet
- 2 – Crochets pour guide de refend



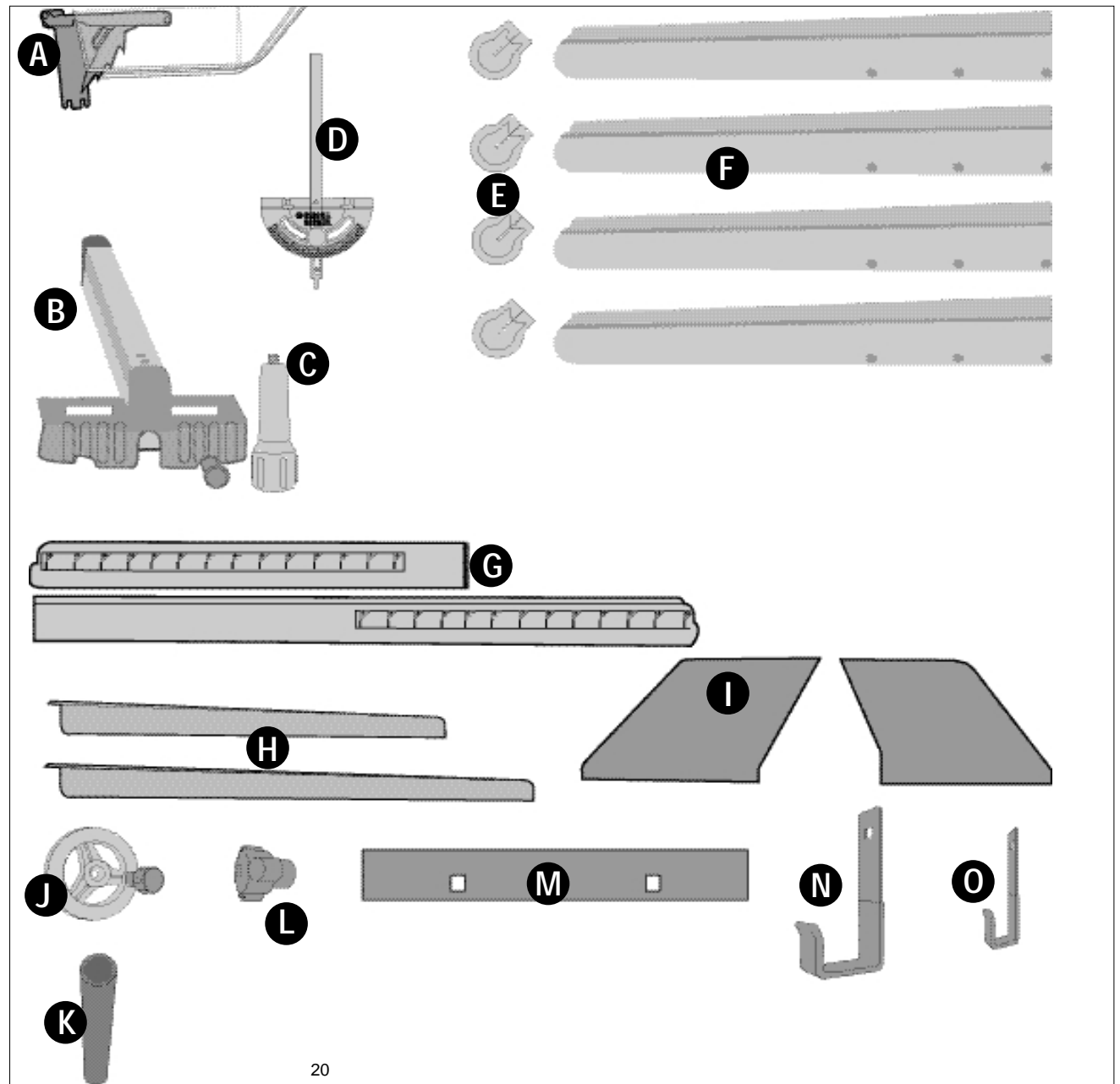
DÉBALLAGE ET ASSEMBLAGE - FIGURE A

Déballer soigneusement la scie d'établi et la retirer ainsi que tous les composants qui se trouvent dans la boîte. Examiner chaque pièce pour s'assurer qu'aucun dommage n'a été causé durant le transport. Si une pièce est endommagée ou manquante, communiquer avec le dépositaire concerné afin de la faire remplacer avant d'assembler l'outil. Tous les composants emballés avec la scie (excluant les sacs de ferrures) sont énumérés ci-dessous :

Fig. A

- A. Ensemble du protège-lame
- B. Ensemble du guide de refend
- C. Poignée du guide de refend
- D. Ensemble de jauge à onglets
- E. Supports en caoutchouc (4)
- F. Pattes (4)
- G. Montants avant (2)
- H. Montants arrière (2)
- I. Rallonges du plateau (2)
- J. Roue à main
- K. Manchon
- L. Bouton de verrouillage de la roue
- M. Pièce de renfort du plateau
- N. Ferrures de rangement du guide de refend (2)
- O. Ferrures de rangement de la jauge à onglets (2)

Fig. A



Assemblage de la scie d'établi modèle BT2500

LIRE TOUTE LA SECTION CONCERNANT L'ASSEMBLAGE AVANT DE PROCÉDER.

OUTILS FOURNIS :

Les outils suivants sont fournis afin de faciliter l'assemblage de la scie :

- Clé Allen de 6 mm
- Clé mixte de 12 mm/10 mm
- Clés de réglage de la lame (2)

OUTILS REQUIS

- Tournevis Phillips
- Équerre combinée

Autres articles requis :

- Détergent doux avec solvant, comme de l'essence minérale, du diluant pour peintures ou de l'alcool dénaturé.

ÉTAPE 1. Retirer le sac de pièces et tous les composants de la boîte et vérifier le contenu en le comparant aux pièces illustrées aux pages 5 et 6.

ÉTAPE 2. Sortir la scie de la boîte et la mettre à l'envers. On ne peut effectuer cette étape seul, le poids combiné de la surface du plateau et du moteur étant d'environ 100 lb.

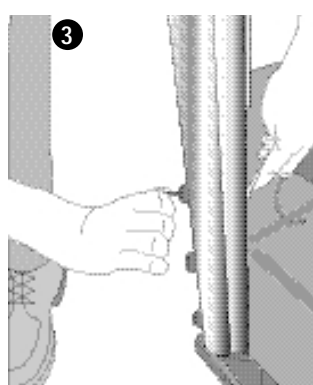
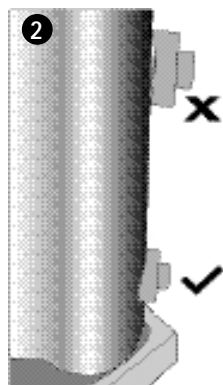
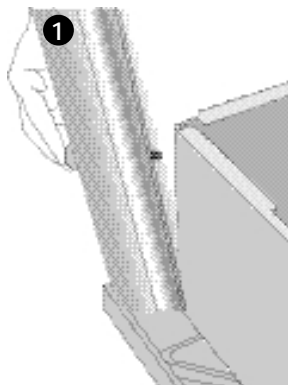
ÉTAPE 3. Installation des quatre pattes (figures 1, 2 et 3)



Fixer les pattes sur la scie déposée à l'envers au moyen des 10 boulons fournis dans le sac des pièces du support de pattes illustré à gauche. Retirer l'écrou hexagonal de l'ensemble du boulon et insérer le boulon dans l'orifice de la patte, tel qu'illustré à la figure 1.

(REMARQUE : les quatre pattes sont semblables. Les pattes avant requièrent trois boulons chacune et les pattes arrière, deux boulons chacune). Une fois le boulon inséré dans la patte, s'assurer que la section courbée du position-

neur en plastique est alignée avec la section courbée de la patte (figure 2). Au moyen d'un tournevis Phillips et de la clé de 12 mm fournie, fixer les pattes selon la figure 3. **REMARQUE : NE PAS TROP SERRER. LES PATTES SONT CREUSES ET VONT S'ENFONCER SI ON Y APPLIQUE UNE FORCE EXCESSIVE.** Placer les quatre supports en caoutchouc sur les extrémités des pattes et mettre la scie à l'endroit (on ne peut effectuer cette étape seul).



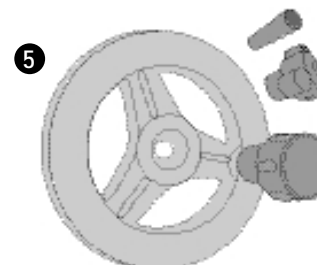
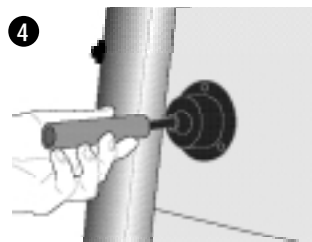
ÉTAPE 4. Nettoyage de la surface du plateau

On recommande de nettoyer la surface du plateau avant d'assembler la scie pour enlever l'enduit antirouille. Nettoyer la surface avec de l'essence minérale ou de l'alcool dénaturé.

ÉTAPE 5. Assemblage de la roue (figures 4 et 5)

Roue de réglage d'angle de biseau (située du côté droit de la scie). Fixer le manchon (la pièce K emballée dans du Styrofoam) à la tige qui dépasse du côté de la scie d'établi, tel qu'illustré à la figure 4. Aligner la section plane située à l'intérieur de la roue (pièce J) avec celle de la tige. Fileter le bouton de verrouillage de la roue (pièce L), sans trop serrer.

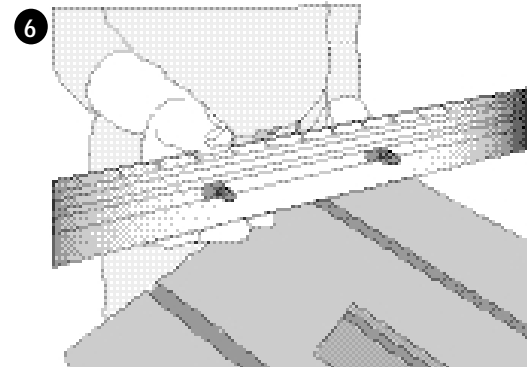
REMARQUE : les boutons de verrouillage servent à verrouiller les dispositifs de réglage de la hauteur et du biseau une fois ces derniers fixés.



ÉTAPE 6. Fixation du montant avant droit (longue section) à la surface du plateau (figure 6)

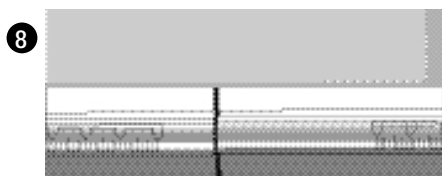
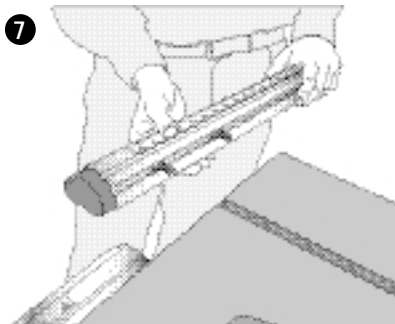


Insérer deux des vis à tête carrée fournies dans le sac des pièces de montants avant et arrière illustré à gauche dans le canal du montant avant (figure 6), en s'assurant d'aligner les deux boulons avec les deux orifices situés du côté droit de la surface du plateau. Pousser les boulons dans les orifices et fileter une rondelle de blocage et un écrou hexagonal sur les boulons, sans les serrer. Glisser le montant avant vers la droite afin d'exposer les deux orifices situés du côté gauche de la surface du plateau.



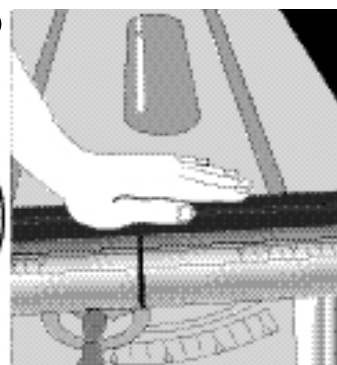
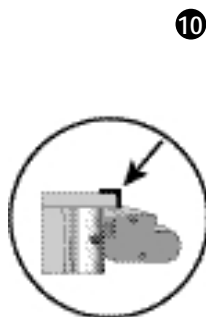
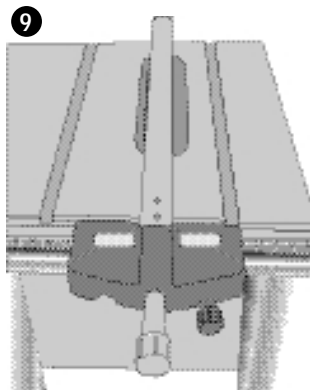
ÉTAPE 7. Fixation du montant avant gauche à la surface du plateau (figures 7 et 8)

Une fois le montant avant droit fixé, insérer deux des boulons à tête carrée dans le canal du montant avant gauche (figure 7), en s'assurant d'aligner les deux boulons avec les deux orifices situés du côté gauche de la surface du plateau. Pousser les boulons dans les orifices et fileter une rondelle de blocage et un écrou hexagonal sur les boulons, sans les serrer. Glisser les deux sections des montants avant ensemble, puis insérer le raccord noir du montant gauche dans le montant droit (figure 8). Déplacer le montant avant assemblé de manière à ce que le point de jonction des deux montants soit presque aligné avec la lame de la scie.



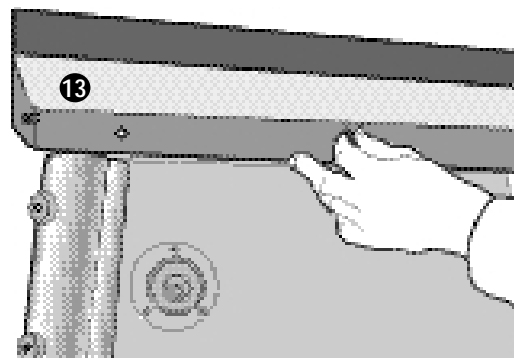
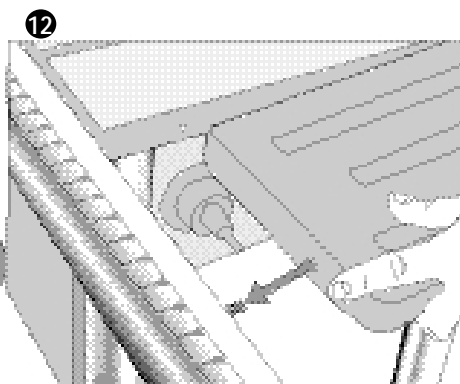
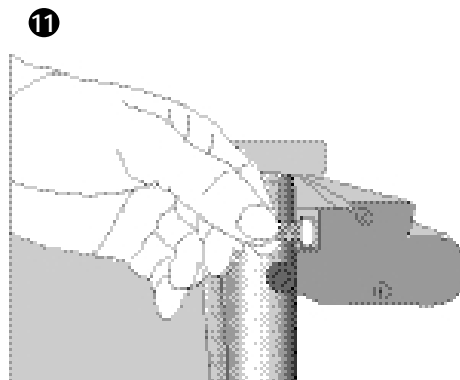
ÉTAPE 8. Alignement et mise à niveau du montant avant (figures 9 et 10)

Desserrer le bouton de verrouillage situé au centre de la manivelle avant et tourner la poignée de cette dernière vers la droite afin de soulever la lame jusqu'à environ 2 po au-dessus de la surface du plateau. Fileter la poignée de verrouillage du guide de refend orange (pièce C) dans la section avant du guide de refend (pièce B). Mettre le guide de refend sur le montant avant situé du côté droit de la lame, tel qu'illustré à la figure 9. Pousser légèrement sur le côté du guide de refend et le faire glisser jusqu'à ce qu'il entre en contact avec la lame. Une fois le guide de refend en place, taper légèrement l'extrémité appropriée du montant avant jusqu'à ce que la marque 0 indiquée sur l'échelle s'aligne avec la ligne dans la fenêtre située du côté droit du guide de refend. (Le côté gauche ne s'alignera pas tant que le guide de refend n'est pas placé du côté gauche de la lame). Retirer le guide de refend en le soulevant soigneusement et en prenant soin de ne pas modifier la position du montant. Une fois le montant avant à la position voulue, il est important de le mettre de niveau avec la surface du plateau avant de le fixer solidement. Pour ce faire, utiliser la longue section du montant arrière (pièce H) comme règle droite et la placer contre la surface du plateau et le montant avant, tel qu'illustré dans l'encart de la figure 10. Pour mettre les montants de niveau, appuyer sur la règle droite vers le bas (figure 10) au point de jonction des deux montants, puis serrer les écrous hexagonaux au moyen de la clé en s'assurant de continuer d'appuyer fermement sur le montant avant vers le bas.



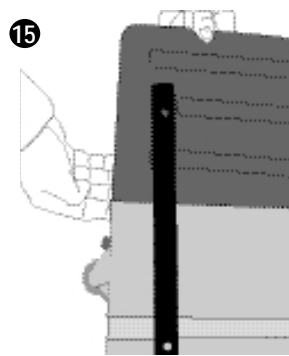
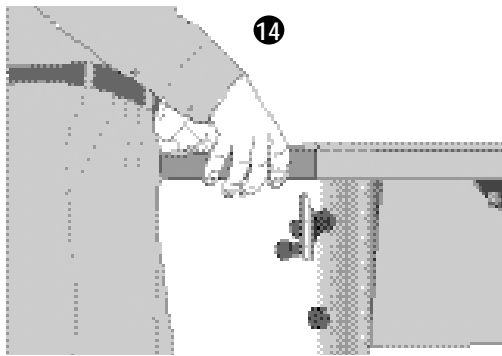
ÉTAPE 9. Fixation des rallonges droite et gauche du plateau (figures 11, 12 et 13)

Insérer un boulon à tête carrée fournie dans le sac des pièces de la rallonge du plateau illustré à gauche dans l'ouverture du canal située à l'extrémité du montant avant (figure 11). Pousser la rallonge sur le boulon fixé au montant (figure 12), puis mettre une rondelle de blocage et un écrou sur le boulon; serrer fermement sans exercer trop de force. Mettre les vis d'assemblage munies des rondelles de blocage dans le bord de la rallonge et la surface du plateau; serrer fermement sans exercer trop de force (figure 13).



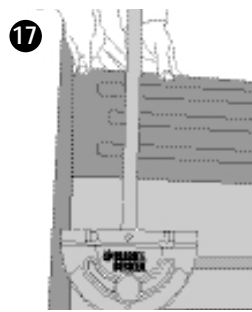
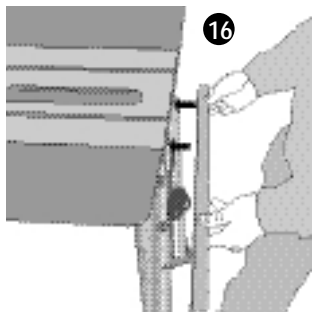
ÉTAPE 10. Mise à niveau des rallonges du plateau avec la surface du plateau (figures 14 et 15)

Faire glisser la rallonge de l'arrière jusqu'à ce qu'elle s'arrête contre le montant avant (figure 14). Utiliser un montant arrière comme règle droite et le déposer perpendiculairement au bord arrière de la surface du plateau et de la rallonge, puis soulever la rallonge jusqu'à ce qu'elle soit de niveau avec le montant arrière (figure 15). Serrer la vis d'assemblage arrière de la rallonge au moyen de la clé Allen fournie. Placer la règle droite de manière à ce qu'elle soit perpendiculaire à la section avant de la surface du plateau et de la rallonge, puis soulever la rallonge jusqu'à ce qu'elle soit de niveau avec la surface du plateau. Serrer les deux autres vis d'assemblage. Laisser la règle droite en place et niveler la section extérieure de la rallonge; serrer le boulon à tête carrée qui retient le montant avant. Mettre la rallonge du côté gauche de niveau en reprenant les mêmes étapes.



ÉTAPE 11. Fixation des montants arrière (figures 16 et 17)

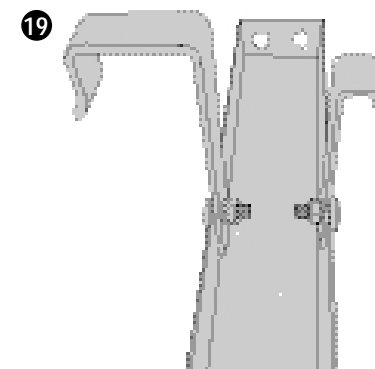
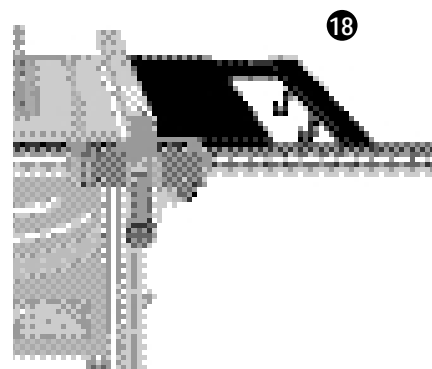
À partir de l'arrière de la scie, fixer le plus long montant arrière au côté gauche de la surface du plateau (figure 16) au moyen de trois vis d'assemblage munies de rondelles de blocage. **REMARQUE** : la vis qui sert à fixer les rallonges du plateau doit aussi être dotée d'un écrou hexagonal. Au moyen de la jauge à onglets comme règle droite (figure 17), niveler le bord extérieur de la rallonge et fixer les deux autres vis d'assemblage sur le montant arrière gauche; bien les serrer. Mettre la rallonge du côté droit de niveau en reprenant les mêmes étapes. Mettre à niveau le point de jonction des deux montants arrière, puis serrer les deux vis d'assemblage situées au centre de la surface du plateau.



ÉTAPE 12. Fixation de la pièce de renfort du plateau droit (figures 18 et 19)

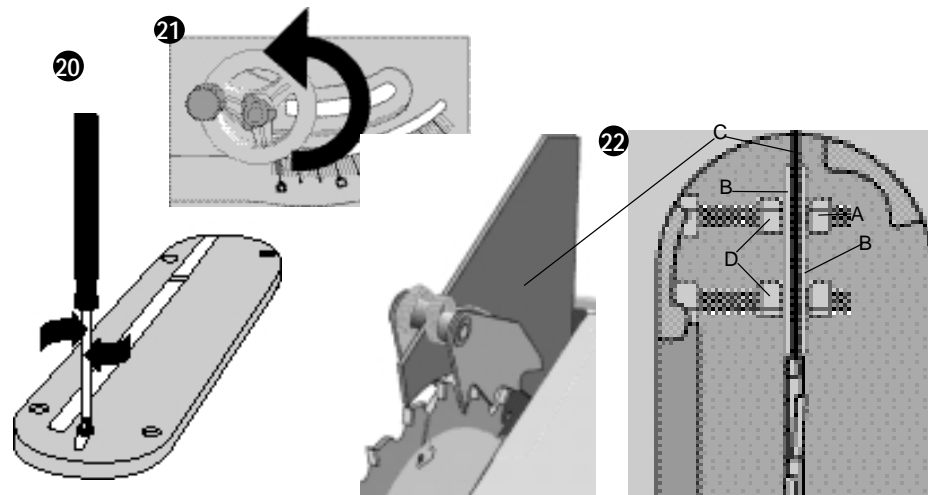


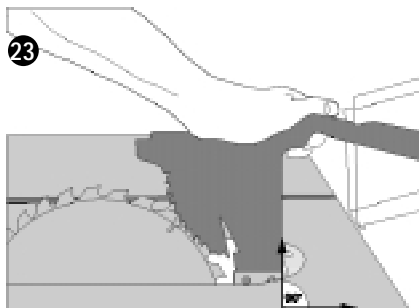
La pièce de renfort du plateau s'emboîte entre les montants arrière et avant, tel qu'illustré à la figure 18 et sert aussi à retenir la jauge à onglets et le guide de refend lorsqu'on ne les utilise pas. Assembler les ferrures sur la pièce de renfort avant de la fixer aux montants au moyen des quatre boulons à tête bombée munis de rondelles et d'écrous hexagonaux (figure 19). Insérer un des boulons à tête bombée fournis dans le sac des ferrures de rangement du guide de refend et de la jauge à onglets illustré à gauche dans l'ouverture carrée située sur le côté de la pièce de renfort, puis fixer la ferrure à l'intérieur de la pièce de renfort au moyen d'une rondelle de blocage et d'un écrou. Introduire deux boulons à tête carrée dans le canal du montant avant, puis fixer la pièce de renfort aux montants au moyen des deux écrous hexagonaux et rondelles de blocage. Fixer ensuite la section arrière de la pièce de renfort au moyen des vis d'assemblage. **REMARQUE** : les larges ferrures servent au rangement du guide de refend et sont situées sur la partie extérieure de la pièce de renfort.



ÉTAPE 13. Installation de l'ensemble protégé-lame / barre d'écartement (figures 20, 21, 22 et 23)

Enlever la plaque amovible en suivant l'illustration de la figure 20. Abaisser la lame jusqu'à la hauteur de la surface du plateau en tournant la roue de réglage de la lame (située sur le devant de la scie) vers la gauche, tel qu'illustré à la figure 21. Desserrer les écrous qui retiennent le protégé-lame externe (figure 22A) suffisamment pour pouvoir emboîter la barre d'écartement entre les deux plaques d'arrêt du dispositif de protection (B). Soulever la lame jusqu'à sa position maximale et installer la barre d'écartement (C) en s'assurant de bien l'aligner avec la lame et de placer le bord arrière de la barre d'écartement à un angle de 90° par rapport à la surface du plateau. Sinon, régler la position en déplaçant les écrous de blocage du protégé-lame interne (D) en vue de modifier le point d'installation de la barre d'écartement. S'assurer que la barre est bien centrée et qu'elle est placée parallèlement à la lame en alignant les pièces au moyen d'une règle droite. S'assurer également qu'il y a un jeu entre la barre d'écartement et la lame et que la lame tourne librement. Maintenir le protégé-lame à la verticale d'une main, tel qu'illustré à la figure 23, et utiliser l'autre pour serrer les écrous (A) au moyen de la clé de 10 mm fournie. Remettre la plaquette amovible en place. **IMPORTANT** : LE PROTÉGÉ-LAME DOIT ÊTRE EN PLACE POUR CHAQUE TRAVAIL DE COUPE. Lorsqu'on effectue une coupe qui ne traverse pas complètement le matériau, on peut enlever aisément le protégé-lame en desserrant légèrement les écrous du protégé-lame externe (A). On peut ainsi facilement remplacer le protégé-lame sans régler à nouveau les écrous internes.





Réglages

DÉBRANCHER LA SCIE D'ÉTABLI AVANT D'EFFECTUER LES RÉGLAGES.

REMARQUE : la scie d'établi est complètement et précisément réglée en usine au moment de sa fabrication. Si on doit la régler de nouveau à la suite du transport ou de la maintenance, ou pour quelque raison que ce soit, on doit procéder en suivant les étapes ci-dessous; une fois terminés, ces réglages devraient demeurer précis.

ÉTAPE 1. Vérification de la plaquette amovible

Pour modifier la hauteur de la plaquette amovible, desserrer la vis à tête Philips située sur le devant de la plaquette amovible, puis régler les quatre vis de retenue qui retiennent la plaquette au moyen de la clé à six pans de 2,5 mm. La hauteur est réglée correctement lorsque le devant de la plaquette amovible est de niveau avec la surface du plateau ou placée légèrement en-dessous de celle-ci et la section arrière de la plaquette est de niveau avec la surface du plateau ou est située légèrement au-dessus de celle-ci.

MISE EN GARDE : la plaque amovible du plateau doit être en place et bien arrimée en tout temps.

ÉTAPE 2. Réglage des butées du biseau

1. Soulever la lame jusqu'à sa position maximale et lever le protège-lame.
2. Desserrer la poignée de verrouillage d'angle de biseau et tourner la roue de réglage d'angle de biseau une seule fois vers la gauche afin d'incliner la lame. Tourner ensuite la roue vers la droite jusqu'à ce qu'elle s'arrête.
3. Vérifier l'angle de la lame au moyen d'une équerre combinée, en l'appuyant contre la section plane de la lame en évitant tout contact entre l'extrémité des dents de la lame et l'équerre.
4. Si l'angle est incorrect, tourner la roue une seule fois vers la gauche et régler la vis de butée de 90 ° (située à gauche de la lame vue d'en avant), en la tournant trois fois vers la gauche au moyen d'une clé à six pans de 4 mm.
5. Tourner la roue vers la droite jusqu'à ce qu'elle s'arrête, puis vers la gauche afin de déplacer la lame à 90 ° par rapport à la surface du plateau, selon l'indication sur l'équerre.
6. Tourner la vis de la butée de 90 ° (située à gauche de la lame) vers la droite jusqu'à ce qu'on sente une légère résistance.

REMARQUE : SERRER SANS EXERCER TROP DE FORCE.

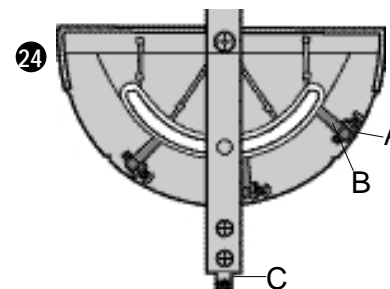
7. Vérifier le réglage de 45 °, puis incliner la lame au moyen de la roue de réglage d'angle du biseau vers la gauche, aussi loin que possible. Placer l'équerre contre la lame, en évitant tout contact entre l'extrémité des dents de la lame et l'équerre. Si la lame n'est pas placée à 45 °, dévisser la vis de butée de 45 ° (située à droite de la lame), tourner la roue à main une seule fois vers la droite, puis la manivelle vers la gauche afin de placer la lame à 45°. Serrer la vis et vérifier de nouveau le réglage. Reprendre les étapes décrites ci-dessus, le cas échéant.

ÉTAPE 3. Réglage de l'indicateur du biseau

Si l'indicateur du biseau n'affiche pas 0 °, lorsque la lame est placée à 90 ° par rapport à la surface du plateau, desserrer la vis de l'indicateur au moyen d'un tournevis Phillips. (On peut accéder à la vis par la roue et la fente courbée qui se trouve devant la scie). Resserrer la vis de l'indicateur.

ÉTAPE 4. Réglage de la jauge à onglets (figure 24)

La jauge à onglets est munie de butées qui se règlent à 90 ° et à 45 ° vers la gauche et vers la droite. Pour les régler, desserrer les écrous de blocage (A), puis serrer ou desserrer les trois vis de réglage (B). Vérifier la jauge au moyen d'une équerre combinée et serrer les trois écrous de réglage. Pour régler la jauge à onglets au-delà des butées de 45 °, tirer sur la goupille de blocage (C) pour la dégager et régler la jauge à l'angle voulu.



ÉTAPE 5. Fonctionnement et réglage du guide de refend (figure 25)

MISE EN GARDE : le guide de refend doit être aligné parallèlement à la lame afin de minimiser les effets de rebond. Pour plus de commodité, le guide de refend sera ajusté parallèlement la lame de la scie. On peut régler le guide de refend selon deux méthodes. La première consiste à placer le guide parallèlement à la lame de la scie, comme suit :

1. Arrêter et débrancher la scie d'établi.
2. Soulever la lame jusqu'à sa position verticale maximale de 90 ° par rapport à la surface du plateau.
3. Aligner le bord du guide de refend avec la lame de la scie, puis pousser le corps du guide fermement contre le montant de la surface du plateau afin de s'assurer qu'il est placé correctement.
4. Pousser le levier de verrouillage à cames vers le bas pour verrouiller le guide en place.
5. Lorsque le guide n'est plus aligné avec la lame, un réglage s'impose. Pour ce faire, desserrer (vers la gauche) les deux vis de réglage de 5 mm situées sur le dessus du guide, près de la section avant, tel qu'illustré à la figure 25.
6. Une fois les deux vis de réglage desserrées, relâcher le levier de verrouillage à cames, puis pousser sur le corps du guide et déplacer la section arrière du guide latéralement de manière à l'aligner avec la lame. Resserrer les deux vis et vérifier de nouveau l'alignement. Reprendre les étapes, le cas échéant.

La deuxième méthode consiste à exercer une force de serrage sur le guide.

Lorsque le guide glisse et cause un problème :

1. Arrêter et débrancher la scie d'établi.
2. Abaisser le levier de verrouillage à cames afin de verrouiller le guide en place.
3. Pour augmenter la force de serrage sur le guide de refend, serrer lentement l'écrou (vers la droite). Pour ce faire, un manchon de 10 mm de profondeur doit être inséré à l'arrière du guide.
4. Lorsqu'une force raisonnable est appliquée sur le guide et qu'il demeure solidement fixé en place, le réglage est adéquat.

REMARQUE : NE PAS SERRER l'écrou de manière à empêcher le guide de glisser librement sur la surface du plateau.

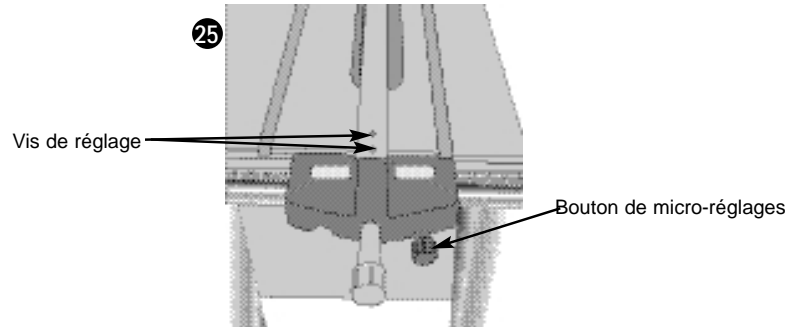
IMPORTANT : afin d'obtenir l'alignement optimal du guide de refend, prendre l'habitude de

tenir la section avant du guide contre le montant de la surface du plateau lorsqu'on serre le levier de verrouillage à cames. Le serrer fermement afin d'empêcher le guide de se déplacer durant le sciage.

CONSEIL PRATIQUE : régler l'indicateur d'échelle de coupe en long chaque fois qu'on installe une lame plus épaisse ou plus mince. Lorsqu'on effectue une coupe particulièrement importante, pratiquer d'abord sur une retaille plutôt que de se fier aux échelles de coupe en long, en biseau ou en onglets ou aux butées.

BOUTON DE MICRO-RÉGLAGES (FIGURE 25)

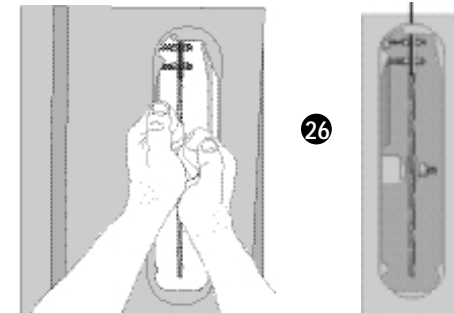
Ce bouton est surtout utile lorsqu'on veut déplacer le guide de refend vers la gauche ou vers la droite par petits échelons. Pour ce faire, appuyer sur le bouton et le tourner pour déplacer le guide à la position voulue.



REPLACEMENT DE LA LAME (FIGURE 26)

MISE EN GARDE : arrêter et débrancher la scie.

1. Régler l'arbre d'arrêt de la lame de scie à environ un pouce au-dessus de la surface du plateau en tournant vers la gauche la roue de réglage de hauteur de lame (située sur le devant de la scie).
2. Enlever la plaquette amovible en desserrant la vis à tête Phillips qui se trouve sur le devant de celle-ci et en la soulevant.
3. Placer une clé de réglage de lame fournie avec la scie sur la surface plane de l'arbre d'arrêt de la lame et l'autre clé sur l'écrou de l'arbre d'arrêt. Retirer ce dernier ainsi que la bride de l'arbre de la scie en les tournant vers la gauche (figure 26). Soulever la lame jusqu'à sa position maximale et la retirer.
4. Mettre la lame sur la broche en s'assurant de pointer les dents vers le bas en les orientant vers l'avant du plateau. Assembler la rondelle et l'écrou de l'arbre sur la broche, puis serrer l'écrou autant que possible avec les doigts, en s'assurant d'appuyer la lame contre la bride interne et la grande rondelle contre la lame. S'assurer également que la broche et les rondelles sont exemptes de poussière et de débris.
5. Abaisser la lame et placer une clé de réglage de lame sur la surface plane de l'arbre de la lame et l'autre clé sur l'écrou de l'arbre. Serrer l'écrou ainsi que la bride de l'arbre en les tournant vers la droite.
6. **REMARQUE** : différents types de lames produisent différentes entailles (largeur de coupe). Il est donc nécessaire de vérifier le réglage de l'indicateur du guide de refend et du couteau séparateur du protège-lame lorsqu'on remplace une lame.



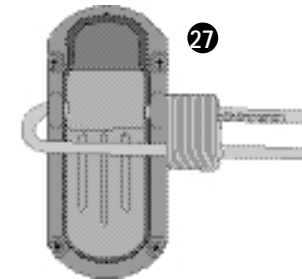
MISE À NIVEAU DE LA SCIE

On peut mettre la scie de niveau en desserrant l'un des boulons situés sur les pattes arrière et en glissant légèrement la patte vers le haut ou vers le bas; resserrer les boulons. Si la scie devient instable lors de la coupe d'une pièce excessivement grande ou excessivement lourde, arrêter la scie et la fixer solidement au plancher. Pour ce faire, retirer les supports en caoutchouc et installer des ferrures angulaires sur chaque patte en perçant des trous de 8 mm (5/16 po) de diamètre, à une distance minimale de 6,3 mm (1/4 po) de l'extrémité de la patte. (On peut se procurer des ferrures angulaires et des éléments de montage dans une quincaillerie.) Bien arrimer les ferrures au plancher au moyen de vis à bois ou de dispositifs d'ancrage en béton appropriés, le cas échéant.

INTERRUPTEUR DE MARCHÉ-ARRÊT

Tirer sur l'interrupteur à gâchette pour mettre la scie en marche; le pousser pour arrêter la scie. L'interrupteur est muni d'un orifice dans lequel on peut insérer un cadenas et ainsi bloquer la scie en position d'arrêt (figure 27).

AVERTISSEMENT : s'assurer que l'interrupteur est en position d'arrêt avant de raccorder l'outil à une prise murale.



LAMES DE SCIE

CETTE SCIE N'ACCEPTE QUE DES LAMES DE 10 po DE DIAMÈTRE OU MOINS.

1. La lame fournie avec la scie est à pointe au carbure et mesure 254 mm (10 po) de diamètre. On peut l'utiliser pour réaliser des coupes transversales (à travers les fibres du bois) ou en long (parallèlement aux fibres du bois). L'orifice central destiné à l'arbre mesure 16 mm (5/8 po) de diamètre (0,625 po).
2. Plusieurs types de lames destinées à des tâches spéciales et à des travaux de précision sont offerts sur le marché, telles que les lames utilisées uniquement pour des coupes transversales ou en long, les lames évidées en creux, les lames servant à la coupe de planches minces en contreplaqué ou de panneaux, etc. Ces lames produisent un meilleur fini, sont plus efficaces et sont moins dures sur la scie. Plus on devient compétent dans ce genre de coupes, plus on est porté à vouloir acquérir ces types de lames.
3. N'utiliser que des lames ayant une vitesse de fonctionnement maximale sécuritaire (permise) de 6 000 tr / min ou plus.
4. Toujours maintenir les lames bien aiguisées; les faire aiguiser dans un centre d'aiguillage reconnu, au besoin.

5. Ne jamais ranger les lames en les empilant les unes sur les autres. Placer un matériau comme un carton entre chaque lame pour empêcher tout contact entre elles.

MISE EN GARDE : ne pas utiliser de lames abrasives avec cette scie.

Fonctionnement

Le sciage sur dosse (« plain sawing ») comprend les coupes transversales et en long, ainsi que d'autres types de coupes standard. Les méthodes de coupe décrites ci-dessous mettent l'emphase sur la sécurité. Lorsqu'on utilise un outil électrique, on doit toujours faire preuve de prudence et suivre les consignes de sécurité appropriées afin de réduire au minimum les risques de blessure. Le non-respect de ces consignes, que ce soit par mégarde ou par négligence, pourrait être la cause de blessures. Il faut donc lire et bien comprendre toutes les étiquettes d'avertissement apposées sur la scie et suivre les consignes de sécurité du présent guide.

NE PAS UTILISER CETTE SCIE POUR COUPER DES PIÈCES EN MÉTAL.

Mode d'emploi

Il existe deux types de coupes standard, soit les coupes en long et les coupes transversales. Bien qu'on effectue généralement une coupe en long parallèlement aux fibres du bois et une coupe transversale à travers les fibres du bois, cette distinction devient difficile en présence de matériaux synthétiques. On peut, dans un tel cas, distinguer ces deux méthodes en nommant la coupe de pièces en bois de diverses largeurs coupe en long et celle réalisée perpendiculairement à la plus courte section de la pièce, coupe transversale. Ces deux types de coupe sont dangereuses lorsqu'on les effectue à main levée! On doit utiliser le guide de refend pour réaliser une coupe en long et la jauge à onglets pour effectuer une coupe transversale.

MISE EN GARDE : on doit vérifier les éléments suivants avant chaque utilisation.

1. La lame est fixée solidement.
2. Le bouton d'angle de biseau et le bouton de verrouillage de hauteur sont bien serrés.
3. Dans le cas d'une coupe en long, s'assurer que le levier de verrouillage du guide est bien serré et que le guide est parallèle à la lame.
4. Dans le cas d'une coupe transversale, s'assurer que le bouton de la jauge à onglets est serré fermement.
5. Toujours porter des lunettes de sécurité.
6. Le protège-lame est fixé correctement et les linguets anti-recul fonctionnent bien.

Le non-respect de ces consignes de sécurité peut accroître considérablement les risques de blessure.

COUPE EN LONG

1. Verrouiller le guide de refend en enfonçant son levier de verrouillage. Retirer la jauge à onglets.
2. Soulever la lame jusqu'à ce qu'elle se trouve à 3,2 mm (1/8 po) au-dessus de la surface de la pièce.
3. Tenir la pièce à plat sur le plateau, en l'appuyant contre le guide et en s'assurant qu'elle se trouve à une distance de 25,4 mm (1 po) de la lame.

MISE EN GARDE : on doit s'assurer d'appuyer une règle droite contre le guide et que la pièce n'est pas gauchie, tordue ni courbée. Tenir les mains éloignées de la lame et hors de son trajet.

4. Mettre la scie en marche et attendre que la lame atteigne sa vitesse maximale. Utiliser les deux mains pour amorcer la coupe en long puis, à 305 mm (12 po) du bord, retenir la pièce d'une seule main (utiliser l'index et le deuxième doigt pour retenir la pièce et la pousser avec le pouce; reposer les autres doigts sur le guide). Toujours garder le pouce près de deux premiers doigts et du guide.
5. Appuyer la pièce contre le plateau et le guide, puis la pousser lentement vers l'arrière jusqu'à ce qu'elle traverse la lame, dépasse le protège-lame et se détache à l'arrière du plateau. Ne pas surcharger le moteur.

6. Ne **JAMAIS** tenter de tirer la pièce vers soi lorsque la lame tourne. Mettre plutôt l'interrupteur hors tension, attendre que la lame s'arrête complètement, soulever les linguets anti-recul situés de chaque côté du couteau séparateur, le cas échéant, puis glisser la pièce pour la dégager.

7. Lorsqu'on coupe une longue planche ou un panneau, on doit les soutenir au moyen d'un dispositif approprié, comme un banc de sciage, des galets ou un plateau d'évacuation, par exemple. **Le dispositif qui sert à soutenir la pièce doit être installé à la même hauteur que la scie d'établi.**

MISE EN GARDE : ne jamais pousser la section coupée ni s'en servir pour se soutenir.

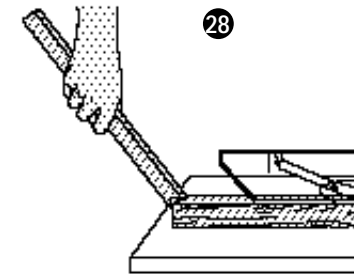
COUPE EN LONG BISEAUTÉE

Ce type de coupe est semblable à la coupe en long, sauf que l'angle de biseau est réglé à une position autre que 0°.

AVERTISSEMENT : avant de brancher la scie d'établi à une source d'alimentation électrique ou de la faire fonctionner, toujours inspecter le protège-lame et le couteau séparateur afin de s'assurer qu'ils sont alignés correctement et qu'il y a un jeu entre ces composants et la lame. Vérifier l'alignement après chaque modification de l'angle de biseau.

COUPE EN LONG DE PIÈCES DE PETITES DIMENSIONS

Il est dangereux d'effectuer des coupes en long de pièces de petites dimensions, puisque ce type de coupe exige qu'on garde les mains trop près de la lame. On recommande plutôt de couper des grandes pièces en vue d'obtenir la dimension voulue. Lorsqu'on doit réaliser une coupe en long sur une pièce de petite largeur et qu'il est impossible de garder les mains entre la lame et le guide de refend et d'éviter de se blesser, on doit utiliser un ou plusieurs bâtons poussoirs. Un modèle est fourni sur la couverture arrière afin de permettre à l'utilisateur d'en fabriquer un, le cas échéant. Utiliser ces bâtons pour retenir la pièce contre le plateau et le guide et pour la pousser au-delà de la lame (figure 28).

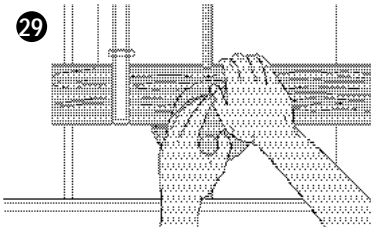


COUPE TRANSVERSALE

1. Retirer le guide de refend et insérer la jauge à onglets dans la fente appropriée.
2. Régler la hauteur de la lame jusqu'à ce qu'elle se trouve à 3,2 mm (1/8 po) au-dessus de la surface du matériau à couper.
3. Tenir fermement la pièce contre la jauge à onglets, en s'assurant d'aligner le trajet de la lame avec la ligne de coupe. Maintenir la pièce à environ un pouce de la section avant de la lame.

GARDER LES DEUX MAINS ÉLOIGNÉES DE LA LAME ET HORS DE SON TRAJET.

4. Démarrer le moteur et attendre que la lame atteigne sa vitesse maximale.
5. Utiliser les deux mains pour appuyer la pièce contre la face de la jauge à onglets, puis pousser lentement la pièce vers la lame en s'assurant de la tenir à plat contre le plateau (figure 29).



6. Ne jamais tenter de tirer la pièce vers soi lorsque la lame tourne. Mettre plutôt l'interrupteur hors tension, attendre que la lame s'arrête complètement, puis glisser soigneusement la pièce pour la dégager.

MISE EN GARDE : ne jamais toucher la section coupée ni s'en servir pour se soutenir.

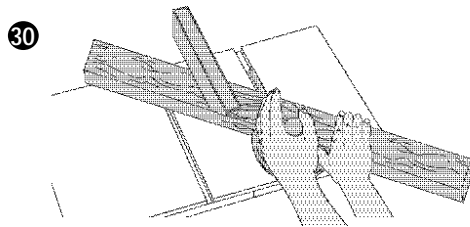
COUPE TRANSVERSALE BISEAUTÉE

Cette coupe est semblable à la coupe transversale, sauf que l'angle de biseau est réglé à une position autre que 0°.

AVERTISSEMENT : avant de brancher la scie d'établi à une source d'alimentation électrique ou de la faire fonctionner, toujours inspecter le protège-lame et le couteau séparateur afin de s'assurer qu'ils sont alignés correctement et qu'il y a un jeu entre ces composants et la lame. Vérifier l'alignement après chaque modification de l'angle de biseau.

COUPE EN ONGLET

Cette coupe est semblable à la coupe transversale, sauf que la jauge à onglets est verrouillée à une position autre que 0°. Tenir FERMEMENT la pièce contre la jauge à onglets et faire avancer lentement la pièce vers la lame afin de l'empêcher de bouger (figure 30).



COUPE EN ONGLET À ANGLES COMBINÉS

Cette coupe, qui combine la coupe transversale biseautée et la coupe en onglet, est rarement utilisée. Le cas échéant, suivre les directives concernant ces deux types de coupe.

COUPE À RAINER

MISE EN GARDE : ne pas tenter d'empiler des lames ayant une épaisseur supérieure à 20,6 mm (13/16 po), ni d'utiliser de lames dont le diamètre excède 152 mm (6 po).

REMARQUE : pour réaliser une coupe à rainer, on doit utiliser une plaquette amovible de lame à rainer spéciale (no de catalogue BT510); cette plaquette est vendue séparément.

Puisque la scie ne pénètre pas complètement la pièce lorsqu'on effectue ce type de coupe, on doit l'utiliser sans protège-lame. Pour retirer l'ensemble protège-lame / barre d'écartement, desserrer les deux écrous (figure 22A), puis retirer l'ensemble. On doit utiliser une lame à rainer chaque fois qu'on doit effectuer une coupe beaucoup plus large que le trait de scie. Ce type de coupe est couramment utilisé pour renforcer ou aligner une étagère de cabinet ou de bibliothèque, par exemple. On doit toujours enlever le protège-lame lorsqu'on utilise une lame à rainer. Il faut faire preuve d'une GRANDE prudence lorsqu'on utilise une lame à rainer sans protège-lame. Si on doit réaliser une coupe profonde, effectuer plusieurs passes successives plutôt que d'essayer de couper la pièce en une seule passe. On n'utilise qu'une lame à rainer ayant une largeur maximale de 20,6 mm (13/16 po) avec cette scie.

NE PAS UTILISER UNE LAME DONT LA LARGEUR DÉPASSE CELLE RECOMMANDÉE.

MISE EN GARDE : toujours vérifier le jeu de la lame à rainer avant de brancher la scie dans une source d'alimentation électrique. Une fois la coupe à rainer terminée, s'assurer de remettre le protège-lame en place et de vérifier de nouveau les réglages.

AVERTISSEMENT : avant de brancher la scie d'établi à une source d'alimentation électrique ou de la faire fonctionner, toujours inspecter le protège-lame et le couteau séparateur afin de s'assurer qu'ils sont alignés correctement et qu'il y a un jeu entre ces composants et la lame. Vérifier l'alignement après chaque modification de l'angle de biseau.

DÉPOUSSIÉRAGE

La scie d'établi est munie d'une enveloppe de protection contre la poussière dotée d'un orifice d'évacuation de 63,5 mm (2 po). Pour obtenir de meilleurs résultats, raccorder un tube d'aspiration dans l'orifice situé à l'arrière de la scie. En l'absence d'un tube, une grande majorité de la poussière sortira directement de l'orifice d'évacuation. Après un usage prolongé, le système de dé poussiérage risque de s'obstruer. Pour le débloquer, on doit :

- débrancher la scie;
- dégager les débris et la sciure au moyen d'un petit bâton ou d'un long tournevis et les pousser à travers l'orifice. Lorsqu'on coupe du bois humide sans tube d'aspiration et que des sections longues et étroites se détachent ou encore, lorsqu'on réalise une coupe à rainer, on doit nettoyer l'orifice d'évacuation après chaque utilisation.

Entretien

Nettoyer l'outil au moyen d'un savon doux et d'un linge humide seulement. Ne jamais laisser de liquide s'infiltrer à l'intérieur de l'outil ni tremper ce dernier dans un liquide quelconque.

IMPORTANT : Pour assurer la SÉCURITÉ et la FIABILITÉ de cet outil, toutes les opérations de réparation, d'entretien et de réglage doivent être effectuées dans un centre de service autorisé ou par du personnel qualifié; on ne doit utiliser que des pièces de rechange identiques.

ENTRETIEN DE LA SURFACE DU PLATEAU

Afin de sauvegarder son investissement, il importe de garder la scie d'établi propre. Pour enlever la rouille, frotter les zones affectées au moyen d'une laine d'acier et nettoyer à l'aide d'essence minérale ou d'alcool dénaturé, puis enduire d'une cire en pâte.

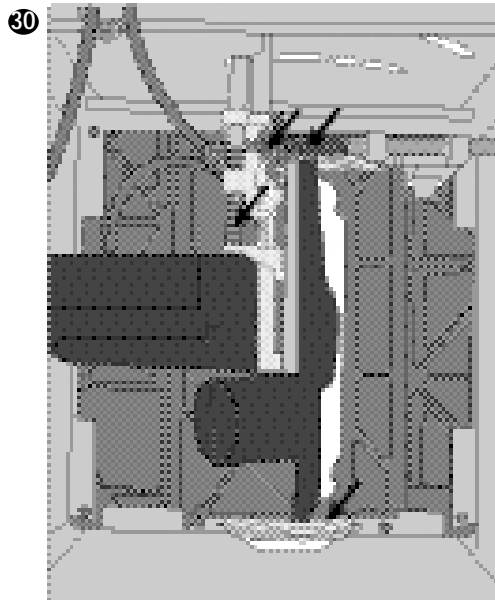
Après un certain temps, il peut s'avérer nécessaire de lubrifier de nouveau le mécanisme de la scie d'établi.

ENTRETIEN DU SYSTÈME DE GUIDE

Le guide doit toujours se déplacer librement. Si on doit exercer une force excessive pour le faire glisser ou qu'il semble difficile à déplacer, essuyer les montants et la surface de glissement de la tête du guide au moyen d'un linge ou d'une serviette de papier, puis le vérifier de nouveau afin de s'assurer qu'il se déplace correctement. Si le problème persiste, nettoyer la tête du guide au moyen d'un détergent doux avec solvant, comme de l'alcool dénaturé ou de l'essence minérale. Enduire de nouveau le montant d'une épaisse couche de cire en pâte ou d'huile légère, puis faire glisser plusieurs fois la tête du guide en un mouvement de va-et-vient afin de bien enduire le montant et le guide. Enlever tout excès de cire ou d'huile sur le montant. Si le guide ne se déplace toujours pas librement, consulter la section « Réglage du guide de refend ».

LUBRIFICATION

Enlever d'abord la sciure qui s'est accumulée sur les engrenages et les vis au moyen d'une brosse dure, puis enlever toute accumulation de résidu ou de résine; utiliser un solvant comme de l'essence minérale, le cas échéant. Ensuite, graisser les engrenages indiqués par des flèches à la figure 30 ou, si la graisse attire trop la sciure, la remplacer par une cire en pâte. **REMARQUE** : s'assurer de ne pas pulvériser le protège-lame supérieur lorsqu'on utilise un lubrifiant en aérosol.



Cette garantie ne s'applique pas aux accessoires. Elle confère des droits légaux particuliers à l'acheteur, mais celui-ci pourrait aussi bénéficier d'autres droits variant d'un territoire à l'autre.

Toute question doit être adressée au gérant du centre Black & Decker le plus près. Ce produit n'est pas destiné à un usage commercial.

Imported by / Importé par
Black & Decker Canada Inc.
100 Central Ave.
Brockville (Ontario) K6V 5W6

Voir la rubrique "Outils électriques"
des Pages Jaunes
pour le service et les ventes.



ACCESSOIRES

Les accessoires recommandés pour chaque outil sont offerts chez les dépositaires locaux ou dans les centres de service autorisés. Pour obtenir plus d'information sur les accessoires, composer le **1 800 544-6986**.

 **AVERTISSEMENT** : l'usage d'un accessoire non recommandé peut présenter un danger.

INFORMATION SUR LES SERVICES

Black & Decker dispose d'un réseau complet composé de centres de service et de centres autorisés situés partout en Amérique du Nord. Tous les centres de service Black & Decker sont dotés de personnel qualifié en matière d'outillage électrique; ils sont donc en mesure d'offrir à leur clientèle un service efficace et fiable. Pour obtenir un conseil technique ou une pièce d'origine ou pour faire réparer un outil, on peut communiquer avec le centre Black & Decker le plus près.

Pour obtenir le numéro de téléphone, consulter les pages jaunes sous la rubrique «Outils - électriques» ou composer le **1 800 544-6986**.

GARANTIE COMPLÈTE DE DEUX ANS POUR USAGE RÉSIDENTIEL

Black & Decker (U.S.) Inc. garantit ce produit pour une période de deux ans contre tout défaut de matériel ou de fabrication. Le produit défectueux sera réparé ou réparé sans frais, suivant l'une des deux méthodes suivantes.

La première méthode consiste en un échange seulement. On doit retourner le produit au détaillant qui l'a vendu (pourvu qu'il s'agisse d'un détaillant participant), en respectant les délais stipulés dans sa politique relative aux échanges (normalement de 30 à 90 jours après la vente). Une preuve d'achat peut être requise. On doit vérifier la politique de retour du détaillant pour tout produit retourné après le délai prescrit pour les échanges.

La deuxième méthode consiste à apporter ou à envoyer le produit (prépayé) à un centre Black & Decker ou à un centre de service autorisé aux fins de réparation ou de remplacement, selon notre choix. Une preuve d'achat peut être requise. Les centres Black & Decker et les centres de service autorisés sont répertoriés dans les pages jaunes sous la rubrique «Outils - électriques».

Push Stick Pattern Modèle de bâton pour pousser Patrón de palanca para empujar

CAUTION

Make push stick from plywood or hardwood equal to or less than the width of the material to be cut.

MISE EN GARDE

Fabriquer le bâton avec du contreplaqué ou du bois franc, d'une largeur au plus égale à celle du matériau à découper.

PRECAUCION

Haga una palanca para empujar con madera o madera contraplacada igual o menor al espesor del material que va a cortar.

Adjust length of push stick so hand will clear blade guard and rip fence.

Régler la longueur du bâton pour pousser de sorte que la main reste loin du protecteur et du guide de refente.

Ajuste la longitud de la vara para que la mano pase libre por la guarda del disco y la guía.

OPTIONAL HANGING HOLE
TROU DE SUSPENSION FACULTATIF
ORIFICIO OPCIONAL PARA COLGAR

NOTCH TO HELP PREVENT HAND FROM SLIPPING
ENCOCHE PRÉVENANT LE GLISSEMENT DE LA MAIN
CURVA PARA AYUDAR A EVITAR QUE LA MANO SE DESLICE

CUT OFF HERE TO PUSH 1/4" (6.3mm) WOOD
DÉCOUPER ICI POUR POUSSER DU BOIS D'UNE ÉPAISSEUR DE 6,3 mm (1/4 po)
CORTE AQUÍ PARA EMPUJAR MADERA DE 6,3 mm (1/4")

CUT OFF HERE TO PUSH 1/2" (12.7mm) WOOD
DÉCOUPER ICI POUR POUSSER DU BOIS D'UNE ÉPAISSEUR DE 12,7 mm (1/2 po)
CORTE AQUÍ PARA EMPUJAR MADERA DE 12,7 mm (1/2")



SIERRA DE MESA BT2500 10"

MANUAL DE INSTRUCCIONES



ANTES DE DEVOLVER ESTE PRODUCTO POR CUALQUIER MOTIVO, FAVOR LLAMAR AL 1-800-54-HOW-TO (544-6986

DE TENER ALGÚN PROBLEMA CON SU PRODUCTO BLACK & DECKER, FAVOR LLAMAR AL 1-800-54-HOW-TO (544-6986)

ANTES DE LLAMAR, TENGA LA SIGUIENTE INFORMACIÓN DISPONIBLE. NO. DE CATALOGO, TIPO NO., Y CÓDIGO DE FECHA (P.EJ.0130M). EN LA MAYORÍA DE LOS CASOS, UN REPRESENTANTE DE BLACK & DECKER LE PUEDE RESOLVER SU PROBLEMA TELEFÓNICAMENTE. SI TIENE UNA SUGERENCIA O COMENTARIO, LLÁMENOS. SU APOORTE ES VITAL PARA BLACK & DECKER.

INDICE

• Índice	31	Ajuste del apuntador de biselado	39
• Reglas para una operación segura	32	Ajuste del cartabón de ingletes	39
• Electricidad	32	Guía longitudinal – Operación y ajustes	39
• Consignes de sécurité importantes	32	• Perilla de microajustes	39
• Instrucciones de seguridad importantes	33	• Reemplazo de la hoja de corte	40
• Protegehoja y separador	33	• Nivelado de la sierra.....	40
• Rebotes	33	• Interruptor Prende/Apaga	40
• Confección de vara de empuje	33	• Hojas de sierra	40
• Especificaciones	34	• Operación	40
• Herrajes necesarios.....	34	Instrucciones de operación	40
• Desempaque	35	Corte longitudinal	41
• Herramientas incluidas	36	Corte al hilo en bisel.....	41
• Herramientas que usted debe suministrar.....	36	Corte longitudinal en piezas pequeñas	41
• Ensamblado	36	Corte al través	41
Instale las cuatro patas	36	Corte de bisel al través	41
Limpie el tope de la mesa	36	Aserrado en inglete	41
Montaje del volante de mano	36	Aserrado en inglete compuesto	42
Unión del riel delantero derecho	36	Corte de ranura (Dado)	42
Unión del riel delantero izquierdo.....	36	Recolección de polvo	42
Alineado y nivelación del ensamblado del riel delantero	37	• Mantenimiento	42
Fijación de las extensiones de mesa derecha e izquierda	37	Cuidado del tope de mesa	42
Nivelando las extensiones al tope de mesa.....	37	Lubricación	42
Unión de los rieles traseros	38	Mantenimiento del sistema de guía	42
Unión de la riostra del lado derecho de la mesa	38	• Accesorios	43
Instalación del conjunto protegehoja/separador	38	• Información acerca de nuestros centros de servicio	43
• Ajustes	38	• Garantía	43
Verificación de la placa de garganta	39	• Patrón de vara de empuje	44
Ajuste de los topes de biselado	39		

⚠️ ADVERTENCIA: PARA SU PROPIA SEGURIDAD, LEA EL MANUAL DE INSTRUCCIONES ANTES DE OPERAR LA SIERRA

- USE SIEMPRE PROTECCIÓN OCULAR
- NO USE GUANTES, CORBATAS, JOYAS O ROPA SUELTA
- SUJETE EL CABELLO LARGO
- MANTENGA LAS MANOS Y LOS DEDOS FUERA DE LA VIA DE ASERRADO — PONGA ATENCIÓN EXTREMA AL BISELAR
- USE SIEMPRE EL PROTEGEHOJA Y EL SEPARADOR PARA CADA OPERACIÓN DONDE PUEDA EMPLEARSE, INCLUYENDO EL ASERRADO PASANTE
- USE UNA “VARA DE EMPUJE” CUANDO SEA NECESARIO
- SEPA COMO EVITAR REBOTES — VEA EL MANUAL
- SIEMPRE APOYE LA PIEZA DE CORTE CON LA MESA Y LA GUÍA O EL CARTABÓN DE INGLETES
- NUNCA USE UNA GUÍA LONGITUDINAL Y CARTABÓN DE INGLETES JUNTOS
- NUNCA SE INCLINE SOBRE O ALREDEDOR DE LA HOJA DE SIERRA
- MONTE LA HOJA DE SIERRA BIEN AFIANZADA ANTES DE OPERAR
- NUNCA quite piezas atascadas o ya cortadas hasta que la sierra este apagada y la hoja haya parado de girar
- NO EXPONER A LA LLUVIA NI UTILIZAR EN SITIOS HÚMEDOS
- NO OPERE ESTA MÁQUINA SI USTED ESTÁ BAJO LA INFLUENCIA DEL ALCOHOL O DROGAS O MEDICAMENTOS
- EL HACER CASO OMISO A ESTAS ADVERTENCIAS PUEDE RESULTAR EN LESIONES PERSONALES SERIAS.

⚠️ ADVERTENCIA: Siga siempre las precauciones básicas de seguridad al usar herramientas eléctricas, a fin de reducir el riesgo de incendio, electrochoque, y lesiones personales, incluyendo lo siguiente:

INSTRUCCIONES PARA LA CONEXIÓN A TIERRA

En caso de mal funcionamiento o avería, la conexión a tierra provee la vía de menor resistencia para la corriente eléctrica a fin de reducir el riesgo de electrochoque. Esta herramienta está equipada con un cable eléctrico y un conductor a tierra para equipos, y un enchufe a tierra. El enchufe debe ser enchufado a un tomacorriente idóneo instalado correctamente y conectado a tierra de acuerdo con todos los códigos y ordenanzas locales. No modifique el enchufe suministrado — si no encaja en el tomacorriente, haga instalar la toma adecuada por un electricista calificado.

La conexión incorrecta del conductor a tierra para equipos puede llevar a riesgos de electrochoque. El conductor con aislamiento y superficie exterior verde, con o sin rayas amarillas, es el conductor a tierra para equipos. De ser necesario reemplazar o reparar el cable eléctrico o enchufe, no conecte el conductor a tierra para equipos a un terminal con corriente. Verifique con un electricista calificado o personal de servicio si las instrucciones de conexión a tierra no se entienden a cabalidad, o de haber duda sobre si la herramienta está conectada a tierra adecuadamente. Use solamente cables de extensión de 3 alambres que tienen enchufes de conexión a tierra de 3 clavijas y tomacorriente tripolar que acepte el enchufe de la herramienta.

REPARE O REEMPLACE INMEDIATAMENTE LOS CABLES DAÑADOS O GASTADOS

INSTRUCCIONES DE SEGURIDAD IMPORTANTES

- **MANTENGA LOS PROTECTORES EN SU LUGAR** y en buen funcionamiento.
- **quite las llaves de ajuste.** Hábituese a verificar que las llaves de ajuste han sido removidos de la herramienta antes de prenderla.
- **MANTENGA LIMPIO EL ÁREA DE TRABAJO.** Areas y bancos abarrotados son una invitación a las lesiones.
- **NO USE HERRAMIENTAS EN AMBIENTES PELIGROSOS.** No use herramientas eléctricas en sitios húmedos o mojados ni las exponga a la lluvia. Mantenga el área de trabajo bien iluminado.
- **MANTENGA LOS NIÑOS ALEJADOS.** Todo visitante debe mantenerse a una distancia prudente del área de trabajo.

- **ASEGURE SU TALLER A PRUEBA DE NIÑOS** con candados, interruptores maestros, o quitando las llaves de arranque.
- **NO FUERCE LA HERRAMIENTA.** Esto le permitirá ejecutar el trabajo mejor, de manera más segura y al ritmo para la cual ha sido diseñada.
- **USE LA HERRAMIENTA CORRECTA.** No fuerce la herramienta o el accesorio para que desempeñe un trabajo para el cual no fueron diseñados.
- **USE EL CABLE DE EXTENSIÓN APROPIADO.** Verifique que el cable esté en buenas condiciones. Cuando utiliza un cable de extensión, asegúrese de que sea lo suficientemente “pesado” para transportar la corriente que su producto va a extraer. Un cable de tamaño insuficiente causará una caída en la línea de voltaje resultando en pérdida de energía y recalentamiento. La siguiente tabla muestra el tamaño correcto que usted debe usar, dependiendo del largo del cable y la potencia de amperaje nominal. Si tiene dudas, use el calibre de mayor peso que le sigue. Cuanto más reducido sea el calibre, más pesado será el cable.

CCalibre mínimo para cordones de extensión					
Volts	Longitud total del cordón en metros				
120V	0-7,6	7,6-15,2	15,2-30,4	30,4-45,7	
240V	0-15,2	15,2-30,4	30,4-60,9	60,9-91,4	
Amperje		Calibre del cordón AWG			
Más de	No más de				
0	-6	18	16	16	14
6	-10	18	16	14	12
10	-12	16	16	14	12
12	-16-	14	12	No recomendado	

- **VÍSTASE ADECUADAMENTE.** No utilice ropa floja ni guantes, corbatas, anillos, pulseras u otras joyas que puedan engancharse en las partes móviles. Se recomienda calzado antirresbalante. Cubra el cabello largo para sujetarlo y protegerlo.
- **USE SIEMPRE ANTEOJOS DE SEGURIDAD.** Use también mascarillas contra el polvo si la operación genera polvo. Los anteojos corrientes sólo son resistentes al impacto, no brindan seguridad.
- **AFIANCE BIEN LA PIEZA A TRABAJAR.** Use prensas de banco o tornillos de carpintero para sujetar la pieza si esto lo requiere.
- **NO SE INCLINE DEMASIADO.** Conserve siempre los pies bien apoyados, al igual que su equilibrio.
- **LAS HERRAMIENTAS DEBEN RECIBIR UN MANTENIMIENTO CUIDADOSO.** Mantenga las herramientas para corte afiladas y limpias para óptimo rendimiento y protección. Siga las instrucciones para lubricación y cambio de accesorios.
- **DESCONECTE LAS HERRAMIENTAS** antes de darles servicio; y al cambiar accesorios, tales como hojas, brocas, cortadores, etc.
- **REDUZCA EL RIESGO DE ARRANQUE ACCIDENTAL.** Verifique que el interruptor está en posición de apagado antes de enchufar. Si se interrumpe la corriente a la herramienta, apague el interruptor antes de restaurar la corriente.
- **UTILICE ACCESORIOS RECOMENDADOS.** Consulte el manual de instrucción para accesorios recomendados. El uso de accesorios no recomendados puede ocasionar lesiones a personas.
- **NO PARARSE NUNCA ENCIMA DE LA HERRAMIENTA.** Esto podría llevar a lesiones graves de voltearse la herramienta o si se hace contacto con la herramienta cortante involuntariamente
- **VERIFIQUE SI HAY PARTES DAÑADAS.** Antes de continuar usando la herramienta, se debe inspeccionar cuidadosamente el protector u otra parte que está dañada para determinar si la misma va a operar adecuadamente y funcionar como es debido — verifique el alineamiento de piezas móviles, si éstas están atascadas, partes averiadas, el montaje, y toda otra condición que pueda afectar la operación de la herramienta. Un protector u otra parte que se haya dañado debe ser reparado o reemplazado en forma adecuada.

- **DIRECCIÓN DEL AVANCE.** Avance la pieza de corte hacia la hoja o cortador solamente en la dirección opuesta a la hoja o cortador.
- **NUNCA DEJE LA HERRAMIENTA DESATENDIDA, APÁGUELA.** No deje la herramienta hasta que haya parado completamente.

REGLAS ADICIONALES DE SEGURIDAD PARA SIERRAS DE MESA

- Use protección ocular
- Use protegehoja y separador para cada operación donde esto se pueda utilizar, incluyendo aserrado pasante.
- Mantenga las manos fuera de la línea de la hoja de sierra.
- Use una vara de empuje cuando esto es necesario.
- Sepa cómo reducir el riesgo de rebote.
- No haga ninguna operación con la mano libre.
- No se incline nunca hacia la parte posterior o por encima de la hoja de sierra.
- **USE UNA MASCARILLA PARA EL POLVO** y anteojos de seguridad al aserrar. Esta sierra es capaz de generar grandes cantidades de aserrín.
- No use lubricantes o limpiadores (particularmente rociadores o aerosoles) en las cercanías del protector plástico. Ciertos químicos atacan el material de policarbonato del protector.

ADVERTENCIA: Ciertos polvos creados por el lijado, aserrado, trituración, taladrado y otras actividades de construcción contienen químicos causantes de cáncer, defectos de nacimiento u otros daños en la reproducción. Algunos ejemplos de estos químicos son:

- el plomo de las pinturas a base de plomo,
- la sílice cristalina de los ladrillos y cemento y otros productos de albañilería, y
- el arsénico y el cromo de las maderas tratadas con químicos (CCA).

El riesgo a la exposición varía, dependiendo de cuán a menudo usted ejecuta este tipo de trabajo. Para reducir la exposición a estos químicos: trabaje en un área bien ventilada y hágalo con equipos de seguridad aprobados, tales como las máscaras de polvo que están especialmente diseñadas para filtrar las partículas microscópicas.

PROTEGEHOJA Y SEPARADOR

La sierra de mesa viene equipada con un conjunto de protegehoja y separador (Figura B parte A y Figura 22) que cubre la hoja y evita contacto accidental. El separador es una placa llana que encaja en el corte hecho por la hoja de sierra y combate efectivamente el rebote al reducir la tendencia de la hoja a atacarse dentro del corte. El separador solo puede usarse cuando se hacen cortes pasantes que cortan totalmente la madera. Cuando se hacen ranurados, rebajados y otros cortes que no llegan a cortes pasantes, el conjunto de protegehoja y separador debe ser quitado de la sierra. Hay dos trinquetes anti-rebote ubicados a los lados del separador los cuales dejan pasar la madera a través de la hoja en dirección del corte pero lo bloquea si la madera trata de mover hacia atrás hacia el operador.

DEFINICIÓN DE TÉRMINOS:

Se usarán los siguientes términos a lo largo de todo el manual y usted deberá familiarizarse con ellos.

- **Aserrado pasante** se refiere a todo corte que cercena completamente la pieza separándola.
- **Vara de empuje** se refiere a una vara de madera, por lo general de fabricación casera, que se usa para empujar pequeñas piezas de corte a través de la sierra y mantiene las manos del operador sin tocar la hoja.
- **Rebote** ocurre cuando la hoja de sierra se atasca en el corte y lanza la pieza violentamente de vuelta hacia el operador.
- **Mano libre** se refiere al corte sin usar el cartabón de ingletes o guía longitudinal o cualquier otro medio de guía o sujeción de la pieza de corte que no sea la mano del operador.

REBOTES – COMO EVITARLOS Y PROTEGERSE DE POSIBLES LESIONES:

El rebote es una condición peligrosa! Lo causa la pieza de corte cuando queda trabada contra la hoja. El resultado es que la pieza puede moverse rápidamente en dirección opuesta a la del

avance. Durante el rebote, la pieza de corte podría ser lanzada de vuelta al operador. También puede arrastrar la mano del operador de regreso a la hoja si la mano de éste se encuentra en el sitio equivocado.

1. Use siempre el protector y verifique que está en buenas condiciones. El separador del protector ayuda a prevenir el atascamiento y los trinquetes anti-rebote en cada lado del separador minimizan la posibilidad del rebote. Ponga mucha atención hasta que la pieza de corte haya pasado el separador y se hayan engranado los trinquetes anti-rebote.

2. No aserrar maderas alabeadas, combadas o acopadas. La pieza de corte debe tener un lado recto y liso que vaya contra la guía longitudinal o el cartabón de ingletes. La pieza debe ir asentada en forma plana sobre la mesa sin mecerse.

3. No corte a “mano libre”. Use siempre la guía longitudinal o el cartabón de ingletes. Nunca los dos.

4. Sea especialmente cuidadoso cuando el ensamble de protección no se pueda utilizar (cuando se hacen ranuras o molduras).

5. Apoye piezas de corte grandes con gran cuidado. Pueden rebotar si se dejan ladear o encorvar.

6. Verifique que la guía longitudinal está paralela a la hoja de sierra.

7. No corte a lo largo aplicando la fuerza de avance a la sección de la pieza que se convertirá en la pieza cortada (pieza libre). Siempre se debe aplicar la fuerza de avance en cortes longitudinales entre la hoja de sierra y la guía; use una vara de empuje para piezas cortas, de 6” (152mm) de ancho o menos. Deberá usar un dispositivo especial para cortes de menos de 2” (51mm) de ancho.

8. Mantenga el protegehoja, el separador y los trinquetes anti-rebote en su lugar y en buen funcionamiento. Mantenga los trinquetes afilados. Si los trinquetes no funcionan, devuelva la unidad al centro de servicio Black & Decker más cercano para su reparación. El separador debe estar alineado con la hoja de sierra y los trinquetes deben parar un rebote una vez que haya comenzado. Verifique su accionamiento antes de un corte longitudinal.

9. La sierra puede cortar materiales plásticos y compuestos (como madera prensada). Sin embargo, como estos materiales son por lo general bastante duros y resbalosos, los trinquetes anti-rebote podrían omitir el paro de un rebote. Por lo tanto, ponga especial atención en seguir los pasos apropiados para el montaje y procedimiento utilizados en cortes longitudinales.

10. Use el protegehoja y el separador para toda operación donde se puedan utilizar, incluyendo todo aserrado pasante.

COMO HACER UNA VARA DE EMPUJE (CUBIERTA POSTERIOR)

- Para operar la sierra de mesa en forma segura, se debe usar una vara de empuje cada vez que el tamaño o la forma de la pieza de corte requiere que sus manos estén a 6 pulgadas de la hoja de sierra u otro dispositivo cortador.
- No se necesita una madera especial para hacer una vara de empuje con tal de que sea lo suficientemente larga y robusta. Se recomienda una longitud de 12 pulgadas con una muesca que se ajuste al borde de la pieza de corte para prevenir resbalamiento. Es una buena idea tener varias varas de empuje de la misma longitud (12 pulgadas) con muescas de diferentes tamaños para distintos espesores de piezas de corte.
- Vea la parte interna de la cubierta posterior donde aparece una vara de empuje. La forma se puede variar para ajustarse a sus necesidades siempre y cuando rinda el propósito indicado, el cual es mantener sus manos alejadas de la hoja.

GUARDE ESTAS INSTRUCCIONES PARA USO FUTURO

Tamaño de mesa
 Angulo del inglete
 Angulo de bisel
 Tamaño de la hoja
 Prof. max. de corte
 Prof. max. de corte
 RPM, sin carga

ESPECIFICACIONES

23 1/2" x 40 1/2"
 60° I&D
 2° derecha a 47° izquierda
 10" (254mm)
 0° Bisel3-3/8" (79mm)
 45° Bisel2-1/4" (54mm)
 4800

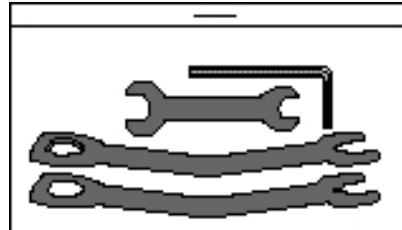
Herrajes necesarios

Hay cinco bolsas de herrajes que contienen todas las tuercas, pernos y arandelas necesarias para ensamblar los componentes incluidos en la BT2500. Las bolsas están organizadas como sigue:

BOLSA DE LLAVES

Contenido

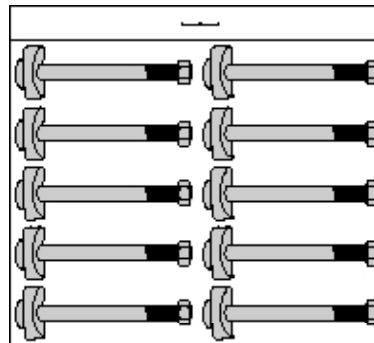
- 2 – Llaves para hoja
- 1 – Llave de combinación
- 1 – Llave Allen



HERRAJES PARA EL BASTIDOR DE PATAS

Contenido

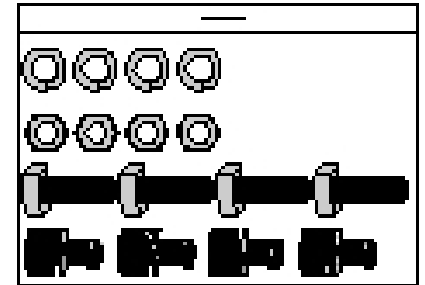
- 10 – Tuercas hexagonales
- 10 - Arandelas
- 10 – Tornillos phillips de cabeza de cazoleta



HERRAJES PARA RIELES DELANTEROS Y TRASEROS

Contenido

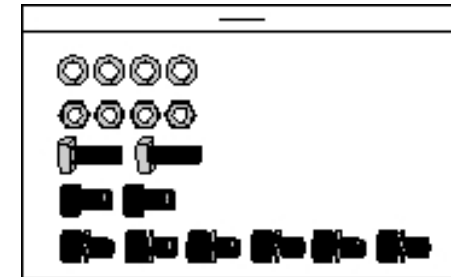
- 4 – Tuercas hexagonales
- 4 – Arandelas de seguridad
- 4 – Pernos de cabeza cuadrada
- 4 – Tornillos de casquete c/arandelas de seguridad



HERRAJE PARA LA MESA DE EXTENSIÓN

Contenido

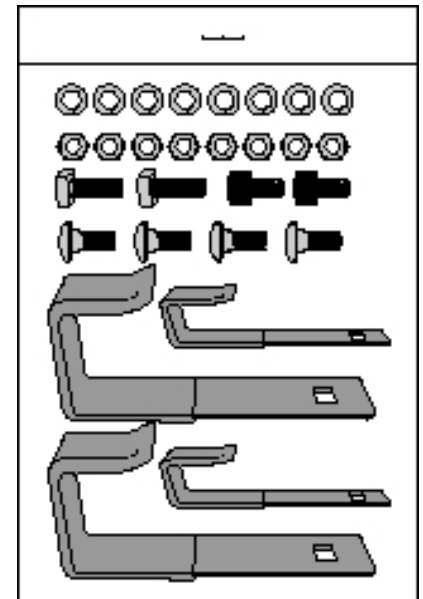
- 4 – Tuercas hexagonales
- 4 – Arandelas de seguridad
- 2 – Tornillos de casquete
- 2 – Pernos de cabeza cuadrada
- 6 - Tornillos de casquete c/arandelas de seguridad



HERRAJES PARA GUARDAR LA GUIA LONGITUDINAL Y EL CARTABON DE INGLETE

Contenido

- 8 – Tuercas hexagonales
- 8 – Arandelas de seguridad
- 2 – Tornillos de casquete
- 4 – Pernos de carruaje
- 2 – Pernos de cabeza cuadrada
- 2 – Ganchos para colgar el cartabón de ingletes
- 2 – Ganchos para colgar la guía

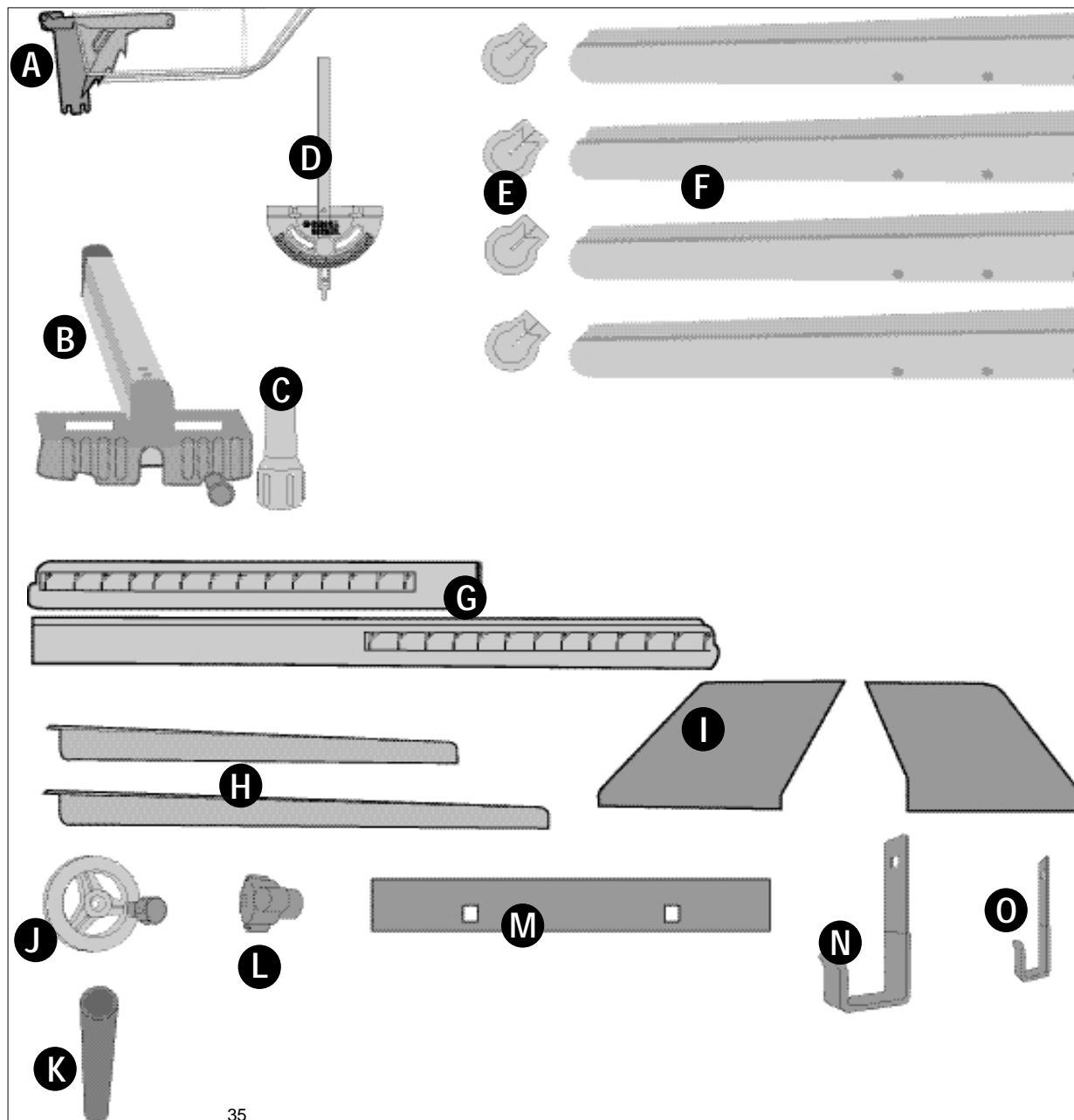


DESEMPAQUE Y ENSAMBLADO - FIG.A

Desempaque cuidadosamente la sierra de mesa y todas las piezas sueltas. Examine todas las partes para verificar que ninguna se haya dañado durante el transporte. De haber piezas dañadas o faltantes, contacte a su distribuidor para que sean reemplazadas antes de ensamblar la herramienta. A continuación se ilustran todas las piezas sueltas (excluyendo las bolsas de herrajes) empacadas con la sierra.

- A. Conjunto de protegehoja
- B. Conjunto de guía de corte longitudinal
- C. Manija de guía de corte longitudinal
- D. Conjunto de cartabón de ingletes
- E. Pies (4)
- F. Patas (4)
- G. Rieles delanteros (2)
- H. Rieles traseros (2)
- I. Extensiones de mesa (2)
- J. Volante de mano
- K. Manguito
- L. Perilla de seguridad del volante de mano
- M. Riostra de mesa
- N. Soporte para guardar la guía longitudinal (2)
- O. Soporte para guardar el cartabón de ingletes (2)

Fig. A



Ensamblado de la BT2500

POR FAVOR LEA TODA LA SECCION DE ENSAMBLADO ANTES DE PROCEDER.

HERRAMIENTAS INCLUIDAS

Hemos incluido las siguientes herramientas para ayudarle a ensamblar la sierra adquirida,

- Llave Allen de 6mm
- Llave de combinación de 12mm/10mm
- (2) Llave para la hoja de corte

HERRAMIENTAS QUE USTED DEBE SUMINISTRAR

- Destornillador Phillips
- Escuadra de combinación

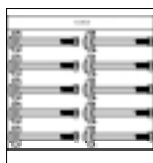
También necesitará:

- Limpiador solvente suave como alcoholes minerales, diluyente de pintura, o alcohol de quemar.
- Cera en pasta de alta calidad

PASO 1. Saque las bolsas de piezas y todos los componentes de la caja y verifique el contenido contra las piezas y partes ilustradas en las páginas 5 y 6.

PASO 2. Saque la sierra de la caja y póngala en posición invertida. Quizá necesite ayuda para esto. El peso combinado del tope de la mesa y la unidad del motor es de aproximadamente 100 lbs.

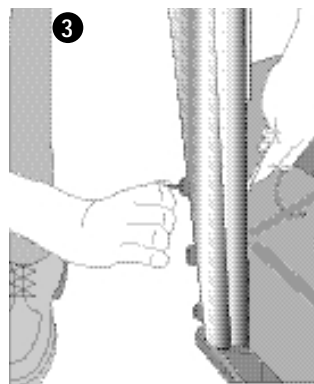
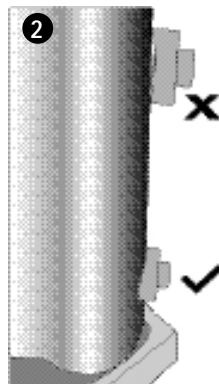
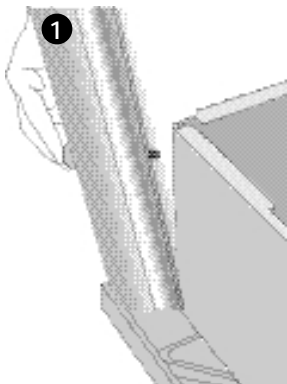
PASO 3. Instale las cuatro patas. (Figuras 1,2,3)



Con el ensamble de sierra en posición invertida, una las patas utilizando los 10 pernos de la bolsa de herrajes para el bastidor de patas ilustrado a la derecha. Saque la tuerca hexagonal del perno e inserte éste a través del hueco en la pata como se muestra en la Figura 1.

(NOTA: Las cuatro patas son iguales. Las patas delanteras utilizan 3 pernos y las traseras 2). Con el perno insertado a través de la pata, asegure que la porción del posicionador plástico esté alineada con la curva de la pata como

se ilustra en la Figura 2. Con un destornillador llave phillips y la llave de 12 mm suministrada, una las patas como se muestra en la Figura 3. **NOTA: NO APRIETE EN EXCESO. LAS PATAS SON HUECAS Y QUEDARÁN MELLADAS SI SE USA FUERZA EXCESIVA.** Coloque los 4 pies de goma sobre los extremos de las patas y pida a alguien que le ayude a invertir el ensamble de la sierra en posición correcta.

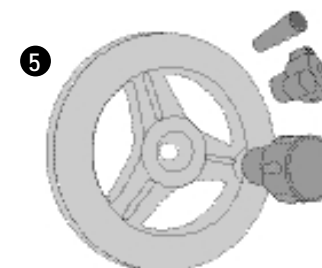
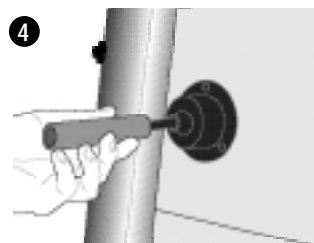


PASO 4. Limpie el tope de la mesa.

Antes de proceder con el ensamblado de la sierra, se recomienda que usted limpie el tope de la mesa para quitar la capa de prevención de óxido. Limpie el tope con alcoholes minerales o alcohol de quemar.

PASO 5. Montaje del volante de mano (Figuras 4,5)

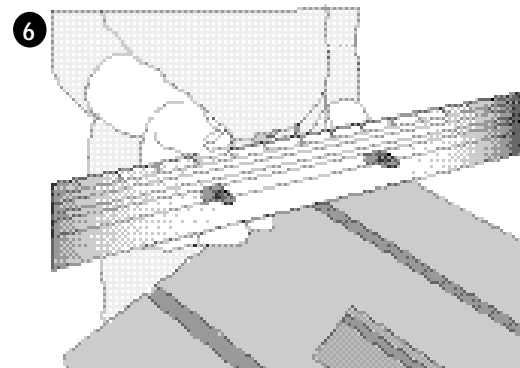
Volante de ajuste de biselado (Lado derecho de la sierra) una el manguito (parte K empacado en espuma de estireno) al eje que se extiende del lado de la mesa de sierra como lo ilustra la Figura 4. Alinear la porción plana en la parte interna del volante de mano (Parte J) con la porción plana del eje. Enrosque la perilla de fijación del volante (parte L) pero no la apriete todavía. **NOTA:** Las perillas de fijación son para fijar los reglajes de altura y biselado una vez que se hayan establecido.



PASO 6. Unión del riel delantero derecho (sección larga) al tope de mesa (Figura 6).

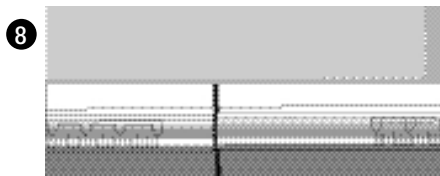
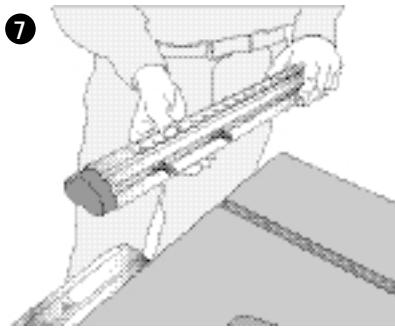


Inserte dos de los pernos de cabeza cuadrada de la bolsa de herrajes para rieles delanteros y traseros, como se ilustra a la izquierda, en el canal del riel delantero como aparece en la Figura 6. Alinear los dos pernos con los dos huecos del lado derecho del tope de la mesa. Empuje los pernos a través de los huecos y enrosque sin apretar una arandela de seguridad y una tuerca hexagonal a los pernos. Deslice el riel delantero hacia la derecha lo suficientemente como para exponer los dos huecos del lado izquierdo del tope de la mesa.



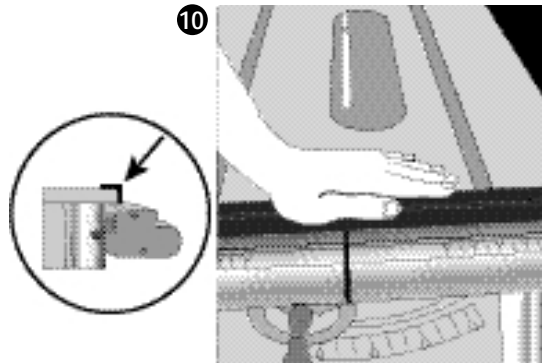
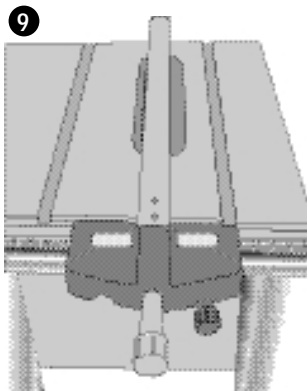
PASO 7. Unión del riel delantero izquierdo al tope de la mesa (Figuras 7,8)

Con el riel delantero derecho unido, inserte dos de los pernos de cabeza cuadrada dentro del canal del riel izquierdo delantero como se muestra en la Figura 7. Alinear los dos pernos con los dos huecos en el lado izquierdo del tope de la mesa. Empuje los pernos a través de los huecos y enrosque sin apretar una arandela de seguridad y una tuerca hexagonal a los pernos. Deslice ambas secciones de los rieles delanteros juntos e inserte el acoplador negro del riel izquierdo en el riel derecho como se muestra en la Figura 8. Mueva ahora el ensamblado del riel delantero de manera que la sección donde los dos rieles se encuentren queda más o menos en línea con la hoja de sierra.



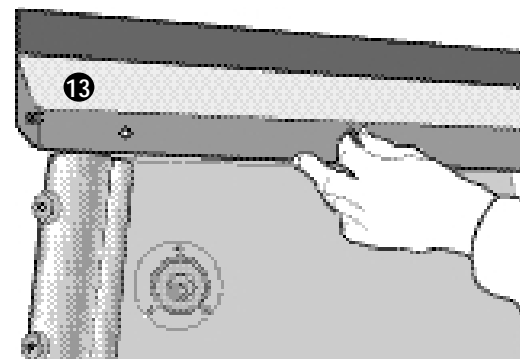
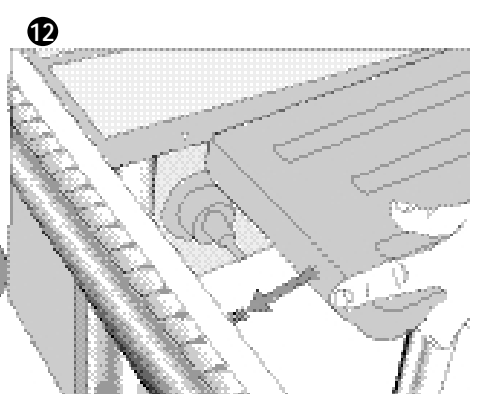
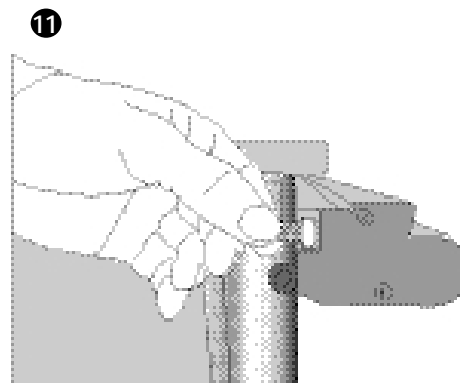
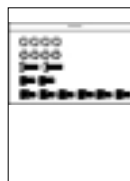
PASO 8. Alineado y nivelación del ensamblado del riel delantero (Figuras 9,10)

Afije la perilla de seguridad del centro de la manivela delantera y gire la manivela en sentido horario para elevar la hoja para que quede a aproximadamente dos pulgadas encima del tope de la mesa. Enrosque la manija de seguridad de la guía longitudinal (parte C) en la parte frontal de la misma (parte B). Coloque la guía sobre el riel delantero hacia el lado derecho de la hoja según se demuestra en la Figura 9. Empuje levemente contra el lado de la guía y deslice hasta que haga contacto con la hoja. Con la guía longitudinal en posición, golpee el extremo apropiado del riel delantero hasta que la marca 0 de la escala se alinea con la línea de la ventana del lado derecho de la guía longitudinal. (El lado izquierdo no se alineará hasta que la guía esté del lado izquierdo de la hoja.) Levante cuidadosamente la guía longitudinal sin cambiar la posición del riel. Ahora que el riel delantero está en esta posición, es importante nivelarlo con el tope de la mesa antes de apretar fijándolo. Para nivelar el riel delantero, use la sección más larga del riel trasero (parte H) como reglón y colóquela contra el tope de mesa y contra el riel delantero como se ve en el inserto de la Figura 10. Presionando sobre el reglón (Figura 10) se nivelarán los rieles donde los dos rieles se encuentren. Manteniendo el riel delantero presionado firmemente hacia abajo, apriete las tuercas hexagonales con una llave.



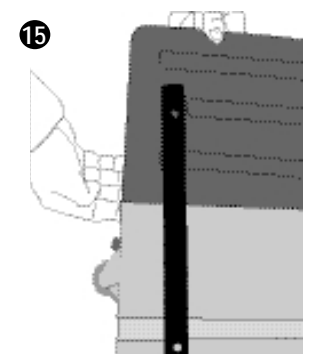
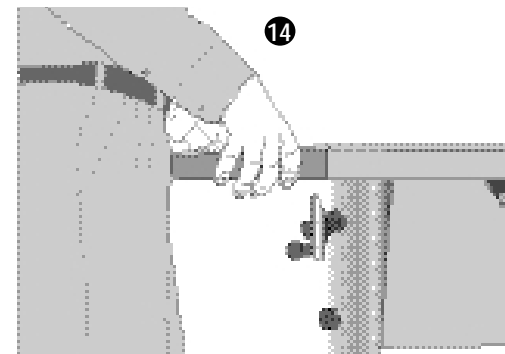
PASO 9. Fijación de las extensiones de mesa derecha e izquierda (Figuras 11,12,13)

Inserte un perno de cabeza cuadrada de la bolsa de herrajes para la extensión de mesa según se muestra a la izquierda, dentro de la abertura del canal al final del riel delantero como se ilustra en la Figura 11. Empuje la extensión hasta adentrar en el perno del riel (Figura 12). Coloque una arandela de seguridad y una tuerca en el perno y apriete sin holgura pero no muy apretado. Inserte tornillos de casquete con arandelas de seguridad en el borde de la extensión y en el tope de mesa y apriete sin holgura pero no demasiado (Figura 13).



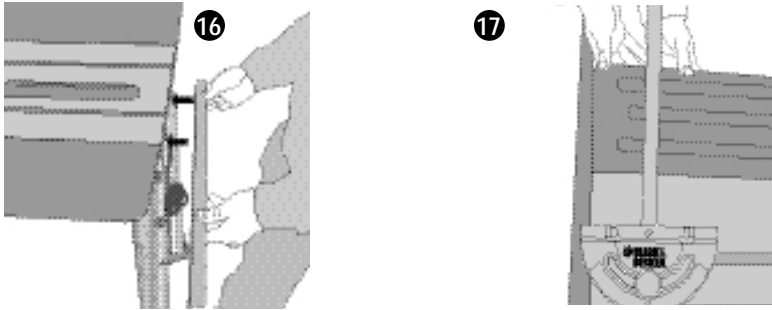
PASO 10. Nivelando las extensiones al tope de mesa (Figuras 14,15).

Deslice la extensión desde la parte trasera hasta que se tope contra el riel delantero (Figura 14). Ponga un riel trasero como reglón, entre el borde posterior del tope de mesa y la extensión, y levante la extensión hacia arriba hasta que quede uniforme con el reglón como se muestra en la Figura 15. Apriete el tornillo de cabeza más posterior de la extensión con la llave Allen suministrada. Ponga el reglón entre la parte delantera del tope de mesa y la extensión y repita el proceso tirando de la extensión hacia arriba hasta que esté nivelada con el tope de mesa. Apriete los dos tornillos de cabeza restantes. Con el reglón todavía en su sitio, nivele la porción externa de la extensión y apriete el perno de cabeza cuadrada en el riel delantero. Repita este proceso para el lado izquierdo de la extensión.



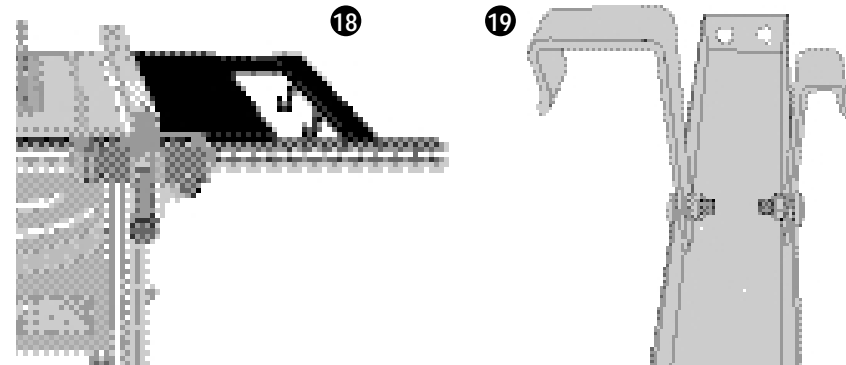
PASO 11. Unión de los rieles traseros (Figuras 16,17)

Desde la parte posterior de la sierra, una el riel trasero más largo con el lado izquierdo del tope de mesa (Figura 16) utilizando tres tornillos de casquete con arandelas de seguridad. **NOTA:** El tornillo de casquete que se atornilla a las extensiones de mesa también requiere una tuerca hexagonal. Usando el cartabón de ingletes como un reglón (Figura 17), nivele el borde exterior de la extensión de mesa y apriete los dos tornillos de casquete restantes ubicados en el lado izquierdo del riel trasero. Repita el proceso para la extensión del lado derecho. Nivele los dos rieles traseros donde estos se encuentren y apriete los dos tornillos de cabeza en el centro del tope de mesa.



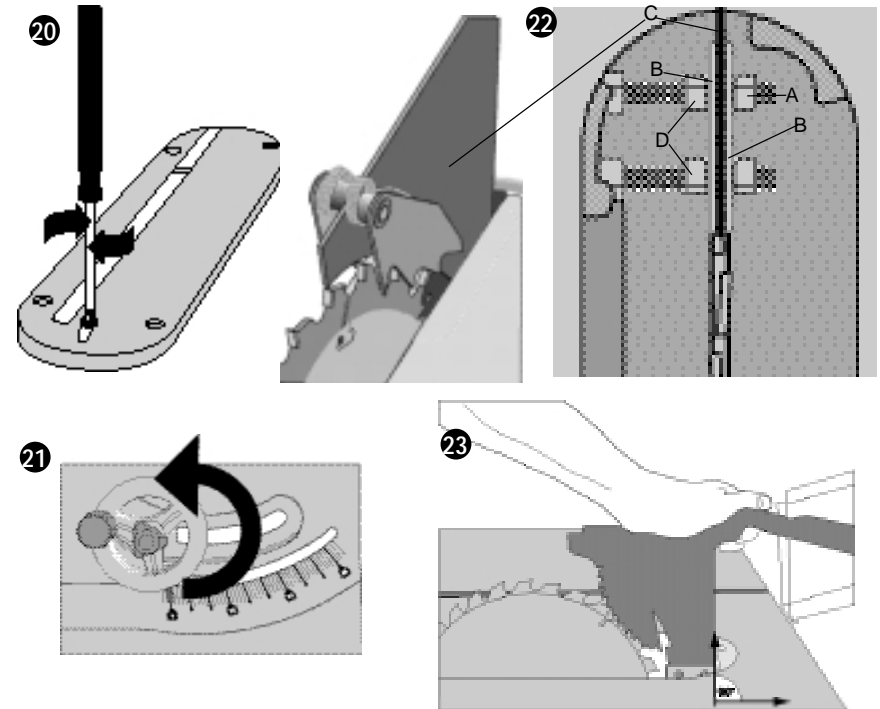
PASO 12. Unión de la riostra del lado derecho de la mesa (Figuras 18,19)

La riostra de la mesa encaja entre el riel trasero y el riel delantero como se ilustra en la Figura 18. También sirve como un lugar conveniente para sostener el cartabón de ingletes y la guía longitudinal cuando estos no se usan. Ensamble los soportes de gancho a la riostra antes de unirlos a los rieles usando cuatro pernos de carruaje de cabeza redonda, arandelas de seguridad y tuercas hexagonales como se ilustra en la Figura 19. Inserte un perno de carruaje de cabeza redonda proveniente de la **bolsa de herraje para guardar la guía longitudinal y el cartabón de ingletes** como se demuestra a la izquierda, en la abertura cuadrada en el lado de la riostra y una el soporte de gancho a la parte interna de la riostra mediante una arandela de seguridad y una tuerca. Inserte dos pernos de cabeza cuadrada en el canal del riel delantero y fije la riostra a los rieles usando dos arandelas de seguridad y tuercas hexagonales. Utilice tornillos de casquete para unir la parte posterior de la riostra. **NOTA:** Los soportes de gancho grandes son para guardar la guía longitudinal y se colocan en el borde exterior de la riostra.



PASO 13. Instalación del conjunto de protegehoja y separador (Figuras 20,21,22,23)

Quite la placa de garganta como lo ilustra la Figura 20. Baje la hoja a la altura del tope de la mesa girando el volante de ajuste de la hoja (parte frontal de la sierra) en sentido antihorario (Figura 21). Afloje las tuercas de retención del protector exterior (A), ilustrado en la Figura 22, lo suficiente para que el separador encaje entre las dos placas de retención del protector (B). Eleve la hoja a su reglaje más alto. Instale el separador (C) y verifique que esté alineado con la hoja y que el borde posterior del separador está a 90 grados respecto al tope de mesa. Si este no es el caso, se ajusta la posición moviendo las tuercas de las abrazaderas del protector interno (D) que cambia la ubicación donde se monta el separador. Verifique que el separador está centrado y paralelo a la hoja alineando las partes con un reglón. También verifique que haya una holgura entre el separador y la hoja y que la hoja gira libremente. Usando una mano para mantener el protector erguido verticalmente según se ilustra en la Figura 23, apriete las tuercas (A) con la llave de 10mm suministrada y coloque de nuevo la placa de garganta. **IMPORTANTE: EL PROTECTOR DEBE PERMANECER EN SU SITIO SIEMPRE QUE EL CORTE LO PERMITA.** Cuando se efectúan cortes que no llegan a ser pasantes, el protector puede quitarse fácilmente aflojando levemente las tuercas del protector exterior (A). El protector se puede volver a poner fácilmente sin tener que reajustar las tuercas internas.



Ajustes

HAGA TODOS LOS AJUSTES CON LA SIERRA DE MESA DESCONECTADA.

NOTA: La mesa de sierra viene ajustada de manera completa y precisa desde fábrica al momento de su fabricación.

De necesitar reajustes debido al transporte y manejo u otra razón, siga los pasos siguientes para ajustar su sierra.

38 Una vez efectuados estos ajustes deben quedar exactos.

PASO 1. Verificación de la placa de garganta

Para cambiar la altura de la placa de garganta, afloje el tornillo de cabeza phillips ubicado en la parte frontal de la placa y ajuste los cuatro tornillos de fijación de la placa de garganta con una llave hexagonal de 2.5 mm. Si está bien ajustada, la parte delantera de la placa de garganta debe estar pareja con la mesa o levemente por debajo de la superficie del tope de la mesa, y la parte posterior de la placa debe estar pareja con la mesa o levemente por encima del tope de la mesa.

⚠ATENCIÓN: El inserto de mesa debe estar en su lugar y muy bien afianzado en todo momento.

PASO 2. Ajuste de los topes de biselado

Regule la hoja a exactamente "0" grados de la forma siguiente, usando una escuadra de combinación:

1. Eleve la hoja a su posición más alta y levante el protegehoja.
2. Afloje la manija de fijación de biselado y gire el volante de ángulo de biselado en sentido antihorario 1 vuelta para inclinar la hoja. Ahora gire el volante en sentido horario hasta pararse.
3. Verifique el ángulo de la hoja con una escuadra de combinación, manteniendo la escuadra contra la parte plana de la hoja y sin tocar los dientes.
4. Si el ángulo de la hoja no es el correcto, gire el volante de mano en sentido antihorario 1 vuelta y ajuste el tornillo de tope de 90° (ubicado a la izquierda de la hoja visto desde el frente) girando 3 veces en sentido antihorario con una llave hexagonal de 4mm.
5. Gire el volante de mano en sentido horario hasta que éste se para, luego en sentido antihorario hasta que la hoja quede a 90° con el tope de la mesa según lo indica la escuadra.
6. Gire el tornillo de tope de 90° (a la izquierda de la hoja) en sentido horario hasta sentir una resistencia leve.

NOTA: NO APRIETE EN EXCESO.

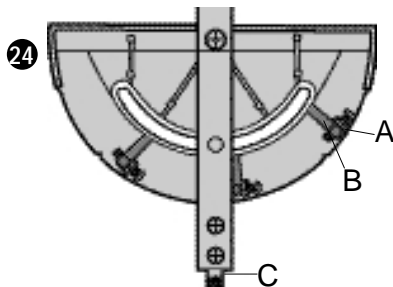
7. Verifique el reglaje de 45°. Con el volante para biselado, incline la hoja lo más que pueda a la izquierda. Coloque la escuadra contra la hoja (asegúrese de que la escuadra no esté contra un diente de la sierra). Si la hoja no está a 45°, destornille el tope de 45° (a la derecha de la hoja) gire el volante 1 vuelta en sentido horario, luego vire el volante en sentido antihorario para que llegue al reglaje de 45° y apriete el tornillo. Vuelva a verificar y repita de ser necesario.

PASO 3. Ajuste del apuntador de biselado

Si el apuntador de biselado no apunta al "0", cuando la hoja está a 90° con respecto al tope de la mesa, afloje el tornillo de apuntar con un destornillador phillips. (El tornillo es accesible a través del volante de mano y la abertura curvada en la parte frontal de la sierra.) Vuelva a apretar el tornillo de apuntar.

PASO 4. Ajuste del cartabón de ingletes (Figura 24).

El Cartabón de ingletes tiene topes ajustables a 90° y 45° a derecha e izquierda. Para ajustar los topes, afloje las tuercas de seguridad (A) y apriete o afloje los tres tornillos de ajuste (B). Verifique el cartabón con una escuadra de combinación y apriete las tres tuercas de ajuste. Para fijar el cartabón de ingletes más allá de los topes de 45 grados, tire del pasador de tope (C) y continúe hacia el ángulo requerido.



PASO 5. Guía longitudinal – Operación y ajustes (Figura 25)

⚠ATENCIÓN: La guía longitudinal debe alinearse en paralelo con la hoja para minimizar el peligro de rebote.

Para su conveniencia, nosotros le alineamos la guía paralelamente a la sierra. La guía tiene dos procedimientos de ajuste. El primero, "Guía paralela a la hoja de sierra", se efectúa como sigue:

1. Apague y desconecte la mesa de sierra.
2. Eleve la hoja en posición completamente erguida a 90° con el tope de la mesa.
3. Alinee el borde de la guía longitudinal a la hoja de sierra. Empuje el cuerpo de la guía firmemente contra el riel del tope de la mesa para asegurar el ajuste adecuado.
4. Empuje la palanca del seguro de leva hacia abajo para fijar la guía en su lugar.
5. Si la guía ya no sigue alineada con la hoja de sierra, se necesita un ajuste. Para esto, afloje (en sentido antihorario) los dos tornillos de alineación de 5 mm ubicados en la parte superior de la guía, cerca de la parte delantera, como se ilustra en la Figura 25. 10
6. Con los dos tornillos de alineación aflojados, libere la palanca del seguro de leva, empuje sobre el cuerpo de la guía y mueva la parte posterior de la guía de lado a lado según sea necesario para realinearla con la hoja. Vuelva a apretar los dos tornillos y verifique la alineación.

El procedimiento para el otro ajuste, "Tensión de fijación de la guía," se efectúa como sigue:

Si usted confronta problemas por deslizamiento de la guía:

1. Apague y desconecte la sierra de mesa.
2. Baje la palanca del seguro de leva para fijar la guía en su lugar.
3. Para aumentar la fuerza de fijación de la guía longitudinal, apriete lentamente la tuerca tensora (sentido horario). Esto necesita una cavidad de 10mm de profundidad en el extremo posterior de la guía.
4. Si al aplicar una cantidad razonable de fuerza contra la guía ésta permanece fija en forma estacionaria, se ha logrado el ajuste idóneo.

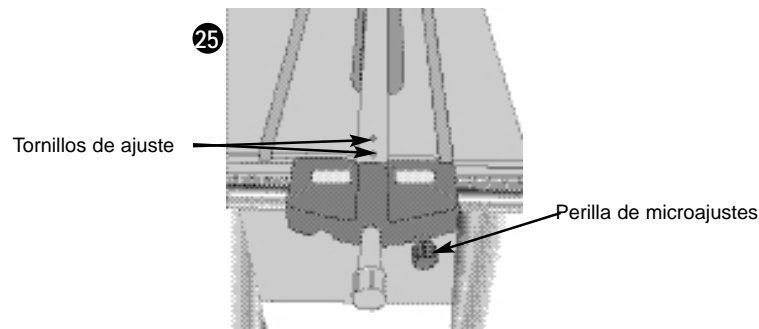
NOTA: NO APRIETE la tuerca tensora hasta el punto en que la guía no se desliza fácilmente sobre el tope de mesa.

IMPORTANTE: Para obtener siempre el mejor alineamiento de la guía longitudinal, habitúese a sujetar el bloque frontal de la guía contra el riel del tope de mesa mientras aprieta la palanca de seguridad de la leva. Apriete la palanca de seguridad muy bien para prevenir el movimiento de la guía durante el aserrado.

SUGERENCIA: La escala de apuntar de la guía longitudinal necesitará un reajuste cada vez que se instale una hoja de corte más gruesa o más delgada. Al hacer cortes críticos, haga ensayos de cortes en restos de madera en vez de confiar en las escalas de guía, biselado, ingletes o topes.

PERILLA DE MICROAJUSTES (FIGURA 25)

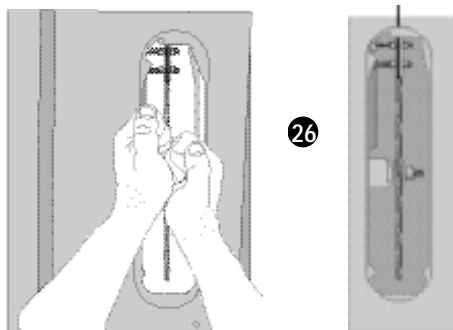
La perilla de microajustes es especialmente útil cuando la guía longitudinal se mueve a la izquierda o derecha en pequeños incrementos. Empuje sobre la perilla y gírela para mover la guía longitudinal a la colocación deseada.



REEMPLAZO DE LA HOJA DE CORTE (FIGURA 26).

⚠ ATENCIÓN : Apague y desconecte la sierra.

1. Fije el árbol de la hoja de sierra a aproximadamente una pulgada por encima del tope de mesa girando el volante de ajuste de altura de la hoja (en la parte delantera de la sierra) en sentido antihorario.
2. Quite la placa de garganta aflojando el tornillo de cabeza phillips en la parte frontal de la placa y levante la placa hacia afuera.
3. Coloque una llave para hoja suministrada con la sierra, sobre las partes planas del árbol de la hoja. Coloque la otra llave para hoja sobre la tuerca del árbol. Quite la tuerca y brida del árbol de sierra girándolos en sentido antihorario (Figura 26). Coloque la hoja de sierra a su posición más alta y quite la hoja vieja.
4. Coloque la hoja de sierra sobre el eje asegurándose de que los dientes de la hoja apunten hacia abajo a la parte delantera de la mesa. Monte la arandela y la tuerca del árbol al eje y apriete la tuerca lo más que pueda manualmente, asegurándose de que la hoja de sierra está contra la brida interna y que el diámetro de la arandela grande está contra la hoja. Asegúrese de que el eje y las arandelas están libres de polvo y residuos.
5. Descienda la hoja y coloque una llave de hoja sobre las partes planas del árbol de la hoja. Coloque la otra llave de hoja sobre la tuerca del árbol. Apriete la tuerca del árbol y la brida del árbol de sierra girándolos en sentido horario.
6. **NOTA:** Distintos tipos de hoja hacen distintos cortes (anchura). Por lo tanto, es necesario verificar los ajustes del apuntador de la guía longitudinal y el separador del protegehoja cuando cambie de hoja.



NIVELADO DE LA SIERRA

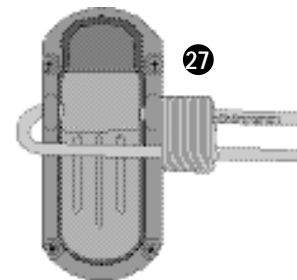
La sierra se puede nivelar aflojando ya sea los pernos de las patas traseras y deslizando la pata hacia arriba o hacia abajo levemente y apretando otra vez los pernos.

Si la sierra se vuelve inestable al cortar piezas de gran tamaño o peso, deténgase y afiance la sierra al piso. Para esto, quite los pies de goma y monte soportes angulares a cada pata después de taladrar huecos de 5/16" (8mm) de diámetro en cada pata, a 1/4" (6.3mm) mínimo de cada extremo. "Los soportes angulares y herrajes para su montaje se pueden obtener localmente." Afiance los soportes al piso mediante tornillos para madera o anclajes para hormigón, según sea el caso.

INTERRUPTOR PRENDE/APAGA

Tire de la paleta interruptora para PRENDER la sierra, y empújela hacia adentro para APAGAR la sierra. El interruptor tiene un hueco para insertar un candado a fin de bloquear la sierra según se ilustra en la Figura 27.

⚠ADVERTENCIA: Verifique que el interruptor está en la posición de APAGADO antes de enchufar la máquina.



HOJAS DE SIERRA

ESTA SIERRA ESTÁ DISEÑADA PARA HOJAS DE SIERRA DE HASTA 10" DE DIÁMETRO.

1. La hoja de sierra suministrada con su sierra nueva es una hoja de carburo de 10" (254mm) usado para cortes al través (contra el hilo) y cortes longitudinales (con el hilo). El hueco central que encaja en el árbol es de 5/8" (16mm) de diámetro (.625").
2. Hay varios tipos de hoja disponibles para hacer trabajos especiales y específicos tales como cortes al través solamente, cortes longitudinales solamente, de base hueca, madera terciada delgada, paneles, etc. Estas hojas producen un acabado más fino, son más eficientes y de menor esfuerzo para la sierra. Usted querrá hacer uso de estas hojas una vez que su competencia en llevar a cabo los proyectos aumente.
3. Use sólo hojas diseñadas para velocidades de operación de seguridad máxima de 6,000 RPM o mayor.
4. Las hojas de sierra siempre deben mantenerse afiladas. Se recomienda que usted busque un servicio de afilado de confianza para cuando necesite afilar sus hojas.
5. Nunca guarde las hojas apilando una encima de otra. Use cartón o algún material similar entre las mismas para que las hojas no hagan contacto entre sí.

⚠ATENCIÓN: No use discos abrasivos en esta sierra.

Operación

El aserrado corriente incluye cortes longitudinales y al través, además de algunas otras operaciones estándar de naturaleza fundamental. Los métodos siguientes se caracterizan por su seguridad. Como con todas las herramientas eléctricas, cuando se respeta la herramienta, poniendo atención y siguiendo las prácticas de seguridad, la posibilidad de lesiones personales, quedará considerablemente reducida. Sin embargo, si no se toman en cuenta o se omiten por completo las precauciones normales de seguridad, el operador puede lesionarse. Lea y siga todas las advertencias que están indicadas en la sierra. Observe las reglas de seguridad incluidas en este manual.

ESTA SIERRA NO HA SIDO DISEÑADA PARA CORTAR PIEZAS METÁLICAS

Instrucciones de operación

Hay dos tipos básicos de corte: cortes longitudinales y corte al través. En general, cortar a lo largo del hilo es el corte longitudinal y al través es perpendicular al hilo. Sin embargo, es algo difícil hacer esta distinción cuando se trata de materiales artificiales. Por lo tanto cortar una pieza de madera a una anchura diferente significa corte longitudinal, y cortar al través de una dimensión corta es corte al través. Ni el corte longitudinal ni el corte al través puede llevarse a cabo en forma segura con mano libre! El corte longitudinal necesita la guía longitudinal y el corte al través necesita el cartabón de ingletes.

⚠ATENCIÓN: Antes de usar la sierra verifique cada vez lo siguiente:

1. La hoja está apretada.
2. Las perillas de seguridad del ángulo de biselado y altura están apretadas.
3. En cortes longitudinales, asegúrese de que la palanca de seguridad de la guía está apretada y la guía está paralela a la hoja

4. En cortes al través, la perilla del cartabón de ingletes está apretada.
 5. El operador tiene puestos los anteojos de seguridad.
 6. El protegehoja está correctamente montado y los dientes anti-rebote funcionan.
- La falta de adhesión a estas rutinas de seguridad puede aumentar en gran cuantía la probabilidad de sufrir lesiones.

CORTE LONGITUDINAL

1. Inmovilice la guía longitudinal presionando la palanca de seguridad hacia abajo. Quite el cartabón de ingletes.
2. Levante la hoja de manera que quede aproximadamente 1/8" (3.2mm) más arriba del tope de la pieza de corte.
3. Mantenga la pieza de corte de manera plana sobre la mesa y contra la guía. Mantenga la pieza a aproximadamente 1" (25.4mm) de distancia de la hoja.

PRECAUCIÓN: La pieza de corte debe tener un borde recto contra la guía y no debe estar alabeada, retorcida o combada. Mantenga las manos lejos de la hoja y fuera de la vía de la hoja.

4. Prenda la sierra y deje que la hoja llegue a su velocidad. Se pueden usar ambas manos para comenzar el corte. Cuando falten aproximadamente doce (12) pulgadas (305mm) para cortar, use sólo una mano, empujando el material con el pulgar, manteniendo hacia abajo el material con el índice y dedo medio, y sus otros dedos enganchados sobre la guía. Siempre mantenga su pulgar al lado de sus dedos índice y medio y cerca de la guía.
5. Manteniendo la pieza de corte contra la mesa y la guía, avance la pieza lentamente por la parte de atrás a través de toda la hoja. Continúe empujando la pieza hasta que está libre de la guía y cae de la parte posterior de la hoja de sierra. No sobrecargue el motor.
6. **NUNCA** trate de regresar la pieza de corte tirando de ella con la hoja girando. Apague la sierra, permita que la hoja se pare, eleve los dientes anti-rebote de cada lado del separador si necesario y deslice la pieza de corte hacia afuera.
7. Al aserrar una pieza larga de material o panel, use siempre un apoyo para la pieza. Un caballete de aserrar, rodillos o unidad de salida provee soporte adecuado para este propósito. El soporte de la pieza debe tener la misma altura que la mesa de sierra.

ATENCIÓN: Nunca empuje o sujete el lado de la parte "libre" o "cortada" de la pieza de corte.

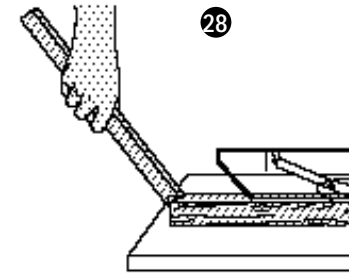
CORTE AL HILO EN BISEL

Esta operación es la misma del corte longitudinal a excepción de que el ángulo de bisel está fijado a una gradación distinta a cero.

ADVERTENCIA: Antes de conectar la mesa de sierra a la corriente eléctrica o de operar la sierra, siempre inspeccione el protegehoja y el separador para ver si están alineados correctamente y tienen la holgura necesaria respecto a la hoja de sierra. Verifique el alineamiento cada vez que haya cambiado el ángulo de bisel.

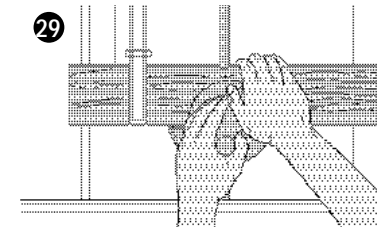
CORTE LONGITUDINAL EN PIEZAS PEQUEÑAS

El corte longitudinal en piezas pequeñas es arriesgado. No es seguro poner sus manos cerca de la hoja. En cambio haga este corte en una pieza más grande para obtener la pieza deseada. Cuando vaya a hacer un corte longitudinal de poca anchura y la mano no se puede colocar en forma segura entre la hoja y la guía longitudinal, use una o algunas varas de empuje. Se incluye un patrón para fabricarla en la cubierta trasera del manual. Utilícelos para mantener la pieza de corte contra la mesa y la guía, y empuje la pieza hasta que la hoja pase por completo. Vea la Figura 28.



CORTE AL TRAVÉS

1. Quite la guía longitudinal y coloque el cartabón de ingletes en la abertura apropiada.
2. Ajuste la altura de la hoja para que quede aproximadamente 1/8" (3.2mm) más elevada que el tope de la pieza de trabajo.
3. Sujete la pieza de trabajo con firmeza contra el cartabón de ingletes con la vía de la hoja en línea con la ubicación deseada del corte. Mantenga la pieza a más o menos a una pulgada en frente de la hoja. MANTENGA AMBAS MANOS ALEJADAS DE LA HOJA Y LA VIA DE LA HOJA.
4. Arranque el motor de la sierra y deje que la hoja alcance su velocidad.
5. Con las dos manos manteniendo la pieza de corte contra la cara del cartabón de ingletes, y sujetando la pieza de manera plana contra la mesa, empuje la pieza lentamente a través de la hoja. Vea la Figura 29.



6. Nunca trate de extraer la pieza de trabajo con la hoja girando. Apague la sierra y deje que la hoja se detenga, y luego deslice la pieza hacia afuera con cuidado.

ATENCIÓN: Nunca toque o sujete el extremo "libre" o "cortado" de la pieza de corte.

CORTE DE BISEL AL TRAVÉS

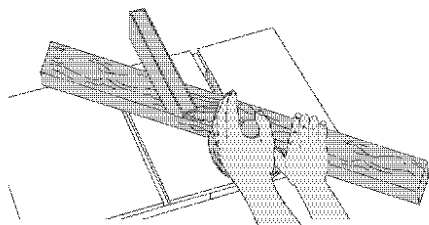
Esta operación es la misma que la del corte al través, excepto que el ángulo de bisel está fijado a una gradación distinta a 0°.

ADVERTENCIA: Antes de conectar la sierra de mesa a una fuente de suministro u operar la sierra, siempre inspeccione el protegehoja y el separador para ver si están alineados correctamente y tienen la holgura necesaria respecto a la hoja de sierra. Verifique el alineamiento cada vez que haya cambiado el ángulo de bisel.

ASERRADO EN INGLETE

Esta operación es la misma que la de corte al través excepto que el cartabón de ingletes está fijado en un ángulo distinto a 0°. Sujete la pieza de corte EN FIRME contra el cartabón de ingletes y avance la pieza lentamente dentro de la hoja (para prevenir que la pieza se mueva). Vea la Figura 30.

30



ASERRADO EN INGLETE COMPUESTO

Esto es una combinación de corte en bisel al través y aserrado en inglete. Se usa con muy poca frecuencia. Siga las instrucciones para ambos, corte de bisel al través y aserrado en inglete.

CORTE DE RANURA (DADO)

ATENCIÓN: No trate de apilar las hojas de ranurar cuyo grosor sobrepasa a 13/16" (20.6mm). No use las hojas de ranurar mayores de 6" (152mm) de diámetro.

NOTA: Los cortes de ranura requieren un inserto especial, número de catálogo BT510 que se vende por separado.

Ya que los cortes de ranura no son cortes pasantes, estos deben hacerse con el protegehoja removido. Para quitar el protegehoja/separador, afloje las dos tuercas (A) de la Figura 22 y quite el ensamblado de protección

Cada vez que se requiera un corte que es considerablemente más ancho que el corte de sierra se usa el de ranura. Un corte de ranura se usa comúnmente para agregar soporte y coincidir referencias para un anaquel, estante de libros o proyecto similar. Al usar el corte de ranura, el protegehoja debe ser quitado. Sea EXTREMADAMENTE cuidadoso al usar la hoja de ranurar sin el protector. De necesitar un corte profundo..... haga varios pases sucesivos en vez de tratar de hacerlo con una pasada solamente. El ancho máximo para hacer ranuras en esta sierra es de 13/16" (20.6mm).

NO USE COMBINACIONES DE MAYOR ANCHURA.

ATENCIÓN: Verifique siempre la holgura de la hoja de ranurar antes de enchufar la sierra. Asegúrese de haber puesto el protegehoja en su lugar y verifique los ajustes cuando haya finalizado los cortes de ranura.

ADVERTENCIA: Antes de conectar la mesa de sierra a la fuente de suministro o de operar la sierra, siempre inspeccione el protegehoja y el separador para ver si están alineados correctamente y tienen la holgura necesaria respecto a la hoja de sierra. Verifique el alineamiento cada vez que haya cambiado el ángulo de bisel.

RECOLECCIÓN DE POLVO

La mesa de sierra viene equipada con una cubierta contra el polvo con una abertura para recolección de polvo de 2-1/2" (63.5mm). Para el mejor resultado, conecte una aspiradora a la abertura en la parte posterior de la sierra. Si la sierra se opera sin tener la aspiradora pegada, la mayoría del polvo volará fuera de la abertura de recolección de polvo. Después de uso prolongado, el sistema de recolección de polvo de la sierra podría obstruirse. Para despejar el sistema:

- Desenchufe la sierra.
- Use un palo de pintura o un destornillador largo para soltar los residuos y cortaduras y páselos para fuera a través de la abertura. Al cortar madera mojada sin una aspiradora, o al hacer cortaduras largas y estrechas, o cuando corta con una hoja de ranurar, limpie cada vez la abertura para recolección de polvo.

Mantenimiento

Utilice únicamente un jabón suave y paño húmedo para limpiar la herramienta. Nunca debe permitir que algún líquido penetre la herramienta; no sumerja nunca la herramienta o parte de ella en algún líquido.

IMPORTANTE: para garantizar la SEGURIDAD y CONFIABILIDAD del producto, toda 42

reparación, mantenimiento y ajuste debe efectuarse en los centros de servicio autorizados u otras organizaciones de servicio calificados, utilizando siempre repuestos idénticos.

CUIDADO DEL TOPE DE MESA

Proteja su inversión. Mantenga la sierra de mesa limpia. De notar señales de óxido, frote las áreas con lana de acero, limpie con alcoholes minerales o de quemar y aplique cera en pasta.

Con el tiempo, los lubricantes utilizados en el mecanismo de su sierra de mesa podrían necesitar reabastecimiento.

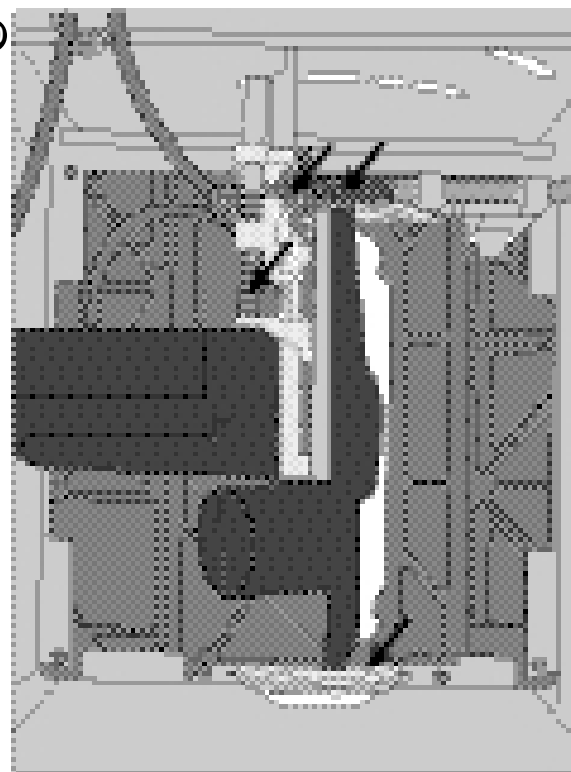
MANTENIMIENTO DEL SISTEMA DE GUÍA

La guía siempre debe deslizarse libremente. Si parece que requiere demasiada fuerza para deslizarse, o si se siente áspero, limpie los rieles y la superficie de deslizamiento de la cabeza de guía con un paño o papel absorbente. Verifique otra vez el movimiento. Si todavía se siente áspero, limpie la cabeza de guía con un solvente suave como alcoholes minerales o de quemar. Recubra el riel con una capa abundante de cera en pasta o un aceite ligero. Deslice la cabeza de guía hacia atrás y adelante varias veces para cubrir el riel y la guía. Pase un paño al riel para quitar cualquier exceso de cera o aceite. Si la guía sigue sin moverse libremente, vea la sección de ajuste de la guía longitudinal.

LUBRICACIÓN

Limpie primero toda acumulación de aserrín de los engranes y tornillos sinfín con un cepillo rígido. Luego quite toda acumulación de alquitrán o resina. Quizás necesite usar un solvente como alcoholes minerales para quitarlo. Luego engrase de nuevo los engranes marcados con flechas en la Figura 30. También puede ponerles cera en pasta a los engranes si ve que el engrase atrae demasiado aserrín. **NOTA:** Mantenga todos los lubricantes en aerosol lejos del protector superior.

30



ACCESORIOS

Encontrará accesorios recomendados para la herramienta en los centros de venta de productos Black & Decker.

ADVERTENCIA: Puede ser peligroso usar cualquier accesorio no recomendado.

PARA REPARACION Y SERVICIO DE SUS HERRAMIENTAS ELECTRICAS FAVOR DE DIRIGIRSE AL CENTRO DE SERVICIO MAS CERCANO

CULIACAN	
Av. Nicolas Bravo #1063 Sur	(91 671) 242 10
GAUDALAJARA	
Av. La Paz #1779	(91 3) 826 69 78
MEXICO	
Eje Lázaro Cárdenas No. 18 Local D, Col. Obrera	588-9377
MERIDA	
Calle 63 #459-A	(91 99) 23 54 90
MONTERREY	
Av. Francisco I. Madero Pte. 1820-A	(91 83) 72 11 25
PUEBLA	
17 Norte #205	(91 22) 46 37 14
QUERETARO	
Av. Madero 139 Pte.	(91 42) 14 16 60
SAN LOUIS POTOSI	
Pedro Moreno #100 Centro	(91 48) 14 25 67
TORREON	
Blvd. Independencia, 96 pte.	(91 17) 16 52 65
VERACRUZ	
Prolongación Diaz Miron #4280	(91 29) 21 70 16
VILLAHERMOSA	
Constitucion 516-A	(91 93) 12 53 17

PARA OTRAS LOCALIDADES LLAME AL: 326 7100

INFORMACIÓN DE SERVICIO

Black & Decker tiene una extensa red de centros de servicio, tanto de la empresa como autorizados, en América del Norte. Todos los centros de servicio Black & Decker tienen personal entrenado que ofrece a los clientes servicio eficiente y fiable para sus herramientas de potencia.

Si requiere asesoría técnica, reparaciones o piezas de repuesto genuinas, comuníquese con un centro de servicio Black & Decker. Para saber cuál es el centro de servicio más cercano, consulte la sección amarilla del directorio telefónico, bajo "Herramientas, eléctricas".

GARANTÍA COMPLETA POR DOS AÑOS PARA USO DOMÉSTICO

Black & Decker (U.S.) Inc. garantiza que este producto estará libre de defectos de materiales y mano de obra durante un período de dos años. En caso de defectos, el producto defectuoso será reemplazado o reparado sin cargo alguno, de una de las dos maneras siguientes.

La primera opción, que únicamente puede utilizarse para cambios, es devolver el producto al vendedor (siempre y cuando la tienda sea un vendedor participante). Las devoluciones deben efectuarse durante el período de cambios estipulado por el vendedor (por lo general, 30 a 90 días a partir de la fecha de venta). Tal vez sea necesario que presente un comprobante de compra. Consulte con el vendedor para conocer los detalles de sus políticas de devolución para aquellos casos en que la devolución se lleva a cabo después del período establecido para cambios.

La segunda opción es llevar o enviar el producto (con gastos de transporte pagados por adelantado) a un centro de servicio Black & Decker (ya sea de la empresa o autorizado). Tal vez sea necesario que presente un comprobante de compra. Los centros de servicio Black & Decker, tanto de la empresa como autorizados, se indican en la sección "Herramientas, eléctricas" de la sección amarilla del directorio telefónico.

Esta garantía no se aplica a accesorios. Esta garantía le concede derechos legales específicos y usted puede tener otros derechos, que varían según el estado o la provincia. Si tiene preguntas relacionadas con la garantía, comuníquese con el gerente de un centro de servicio Black & Decker. Este producto no ha sido diseñado para uso comercial.

ESPECIFICACIONES

Tension de alimentación:	120V~
Frecuencia de operación:	60 Hz
Potencia nominal:	223W
Consumo de corriente:	2,0A

IMPORTADO: BLACK & DECKER S.A. DE C.V.
BOSQUES DE CIDROS ACCESO RADIATAS
NO. 42
COL. BOSQUES DE LAS LOMAS.
05120 MÉXICO, D.F.
TEL. 3-26-71-00

Para servicio y ventas consulte
"HERRAMIENTAS ELECTRICAS"
en la sección amarilla.



Push Stick Pattern
Modèle de bâton pour pousser
Patrón de palanca para empujar

CAUTION

Make push stick from plywood or hardwood equal to or less than the width of the material to be cut.

MISE EN GARDE

Fabriquer le bâton avec du contreplaqué ou du bois franc, d'une largeur au plus égale à celle du matériau à découper.

PRECAUCION

Haga una palanca para empujar con madera o madera contraplacada igual o menor al espesor del material que va a cortar.

Adjust length of push stick so hand will clear blade guard and rip fence.

Régler la longueur du bâton pour pousser de sorte que la main reste loin du protecteur et du guide de refente.

Ajuste la longitud de la vara para que la mano pase libre por la guarda del disco y la guía.

OPTIONAL HANGING HOLE
TROU DE SUSPENSION FACULTATIF
ORIFICIO OPCIONAL PARA COLGAR

NOTCH TO HELP PREVENT HAND FROM SLIPPING
ENCOCHE PRÉVENANT LE GLISSEMENT DE LA MAIN
CURVA PARA AYUDAR A EVITAR QUE LA MANO SE DESLICE

CUT OFF HERE TO PUSH 1/4" (6.3mm) WOOD
DÉCOUPER ICI POUR POUSSER DU BOIS D'UNE ÉPAISSEUR DE 6,3 mm (1/4 po)
CORTE AQUÍ PARA EMPUJAR MADERA DE 6,3 mm (1/4")

CUT OFF HERE TO PUSH 1/2" (12.7mm) WOOD
DÉCOUPER ICI POUR POUSSER DU BOIS D'UNE ÉPAISSEUR DE 12,7 mm (1/2 po)
CORTE AQUÍ PARA EMPUJAR MADERA DE 12,7 mm (1/2")

Free Manuals Download Website

<http://myh66.com>

<http://usermanuals.us>

<http://www.somanuals.com>

<http://www.4manuals.cc>

<http://www.manual-lib.com>

<http://www.404manual.com>

<http://www.luxmanual.com>

<http://aubethermostatmanual.com>

Golf course search by state

<http://golfingnear.com>

Email search by domain

<http://emailbydomain.com>

Auto manuals search

<http://auto.somanuals.com>

TV manuals search

<http://tv.somanuals.com>