

FIRESTORM
HIGH PERFORMANCE TOOLS

OUTILS À HAUT RENDEMENT
HERRAMIENTAS DE ALTO RENDIMIENTO

BY **BLACK & DECKER**

FS1500GMS 10" COMPOUND MITER SAW

INSTRUCTION MANUAL

BEFORE RETURNING THIS PRODUCT
FOR ANY REASON PLEASE CALL
1-800-54-HOW-TO (544-6986)

IF YOU SHOULD EXPERIENCE A PROBLEM
WITH YOUR BLACK & DECKER PRODUCT,
CALL 1-800-54-HOW-TO (544-6986).

BEFORE YOU CALL, HAVE THE FOLLOWING INFORMATION
AVAILABLE, CATALOG No., TYPE No., AND DATE CODE .
IN MOST CASES, A BLACK & DECKER REPRESENTATIVE
CAN RESOLVE YOUR PROBLEM OVER THE PHONE. IF YOU
HAVE A SUGGESTION OR COMMENT, GIVE US A CALL.
YOUR FEEDBACK IS VITAL TO BLACK & DECKER.

SAVE THIS MANUAL FOR FUTURE REFERENCE.

VEA EL ESPAÑOL EN LA CONTRAPORTADA.

POUR LE FRANÇAIS, VOIR LA COUVERTURE ARRIÈRE.

INSTRUCTIVO DE OPERACIÓN, CENTROS DE SERVICIO Y
PÓLIZA DE GARANTÍA. **ADVERTENCIA:** LEASE ESTE
INSTRUCTIVO ANTES DE USAR EL PRODUCTO.

KEY INFORMATION YOU SHOULD KNOW:

- Cut only with sharp blades. Dull blades cut poorly and overload the motor.
- If the saw does not cut accurately, refer to the TROUBLE SHOOTING chart in this manual.

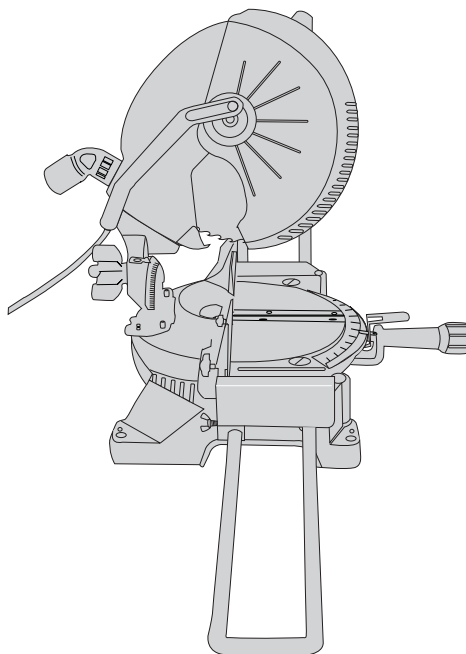
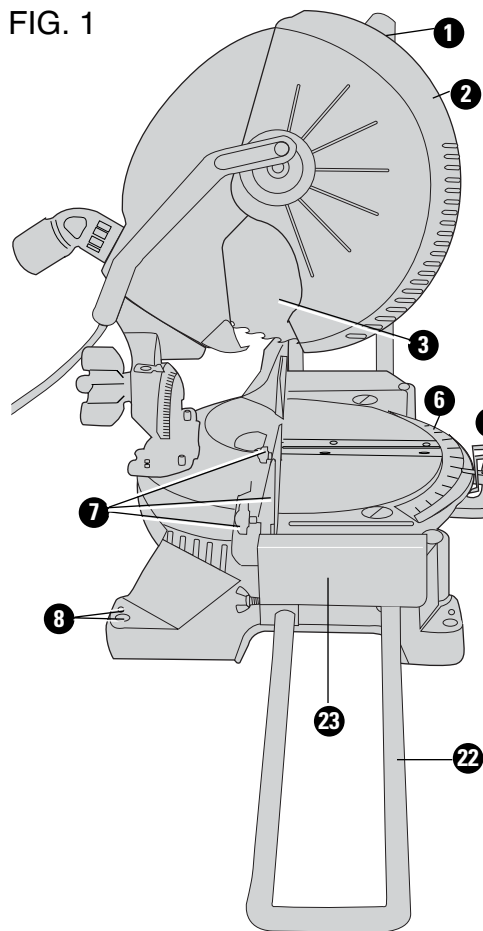


FIG. 1



Parts Description (Figures 1,2)

- FIG. 1**
1. Operating Handle
 2. Guard
 3. Saw Blade
 4. Miter Clamp Handle
 5. Miter Latch
 6. Miter Scale
 7. Left Side Fence and Clamping Knobs
 8. Bench Mounting Hole
- FIG. 2**
9. Dust Spout
 10. Bevel Clamp Knob
 11. Bevel Scale Pointer
 12. Bevel Scale
 13. Bevel Stop
 14. Lock Down Pin
 15. Hand Indentation
 16. Right Side Fence
 17. Kerf Slot
 18. Motor Housing
 19. Spindle Lock Button
 20. Trigger Switch
 21. Brush Inspection Cap
- FIG. 1**
22. Work Extension
 23. Stop Block

Note: Dust bag not shown. Attaches to #9 Dust Spout.

FIG. 2

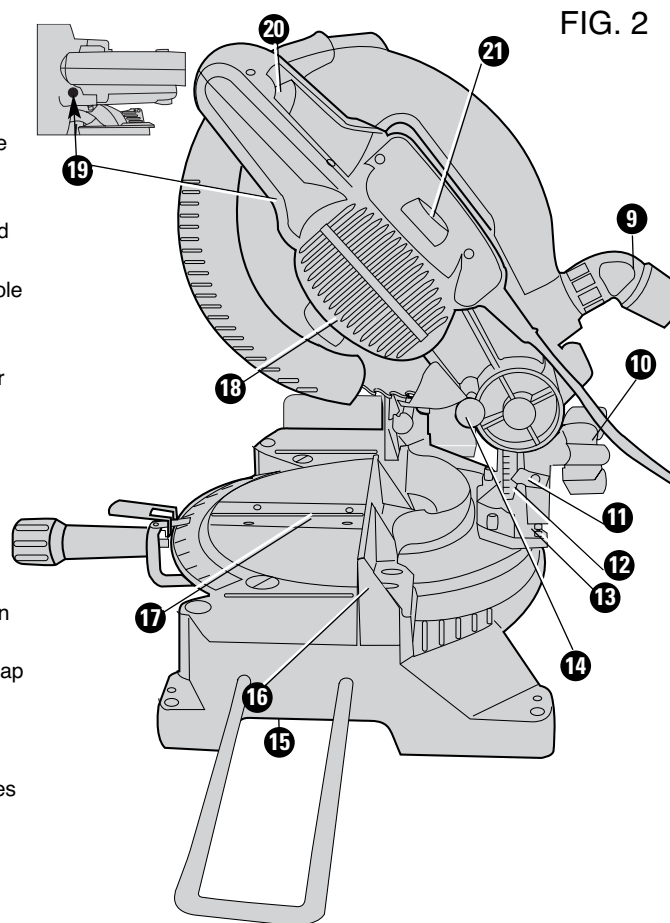


FIG. 3

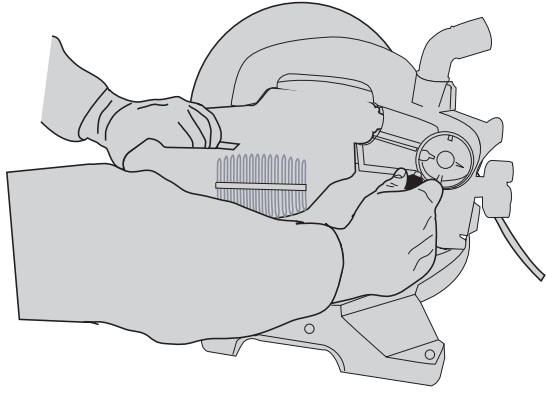


FIG. 4

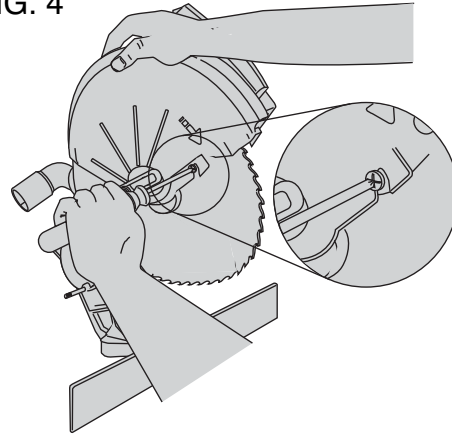


FIG. 5

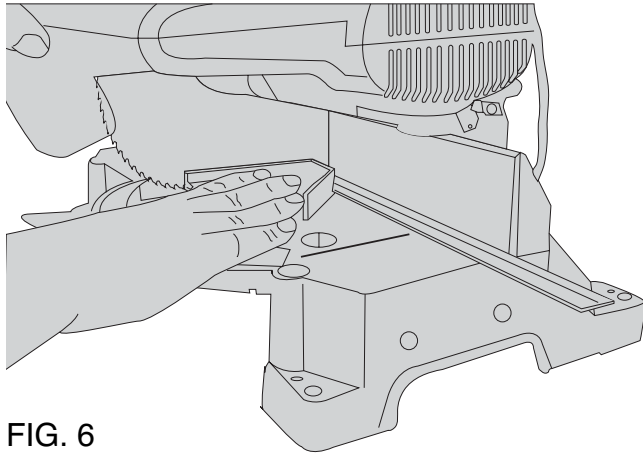
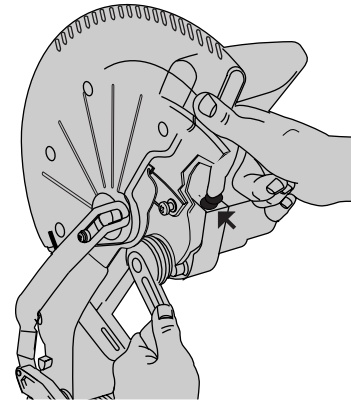


FIG. 6

FIG. 7

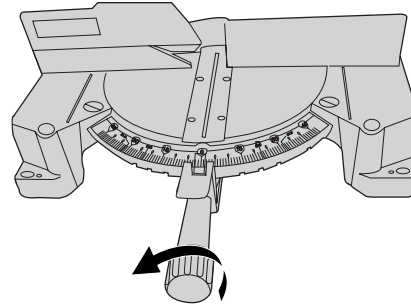


FIG. 8

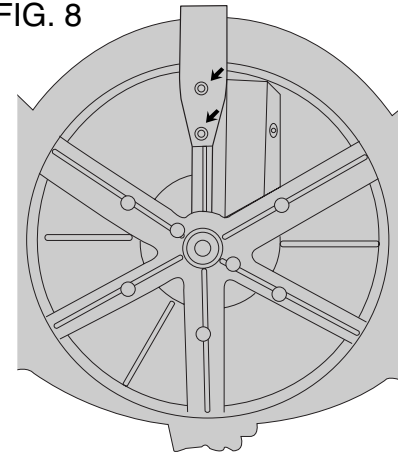


Fig. 9

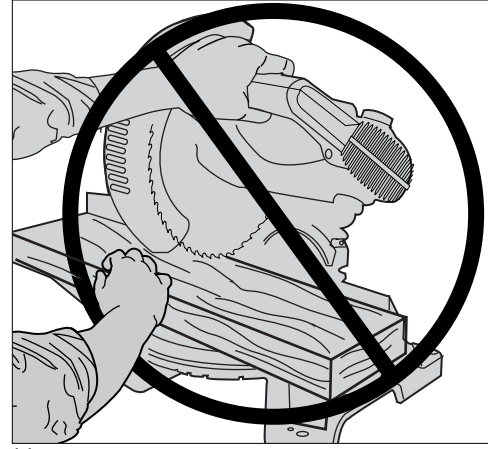
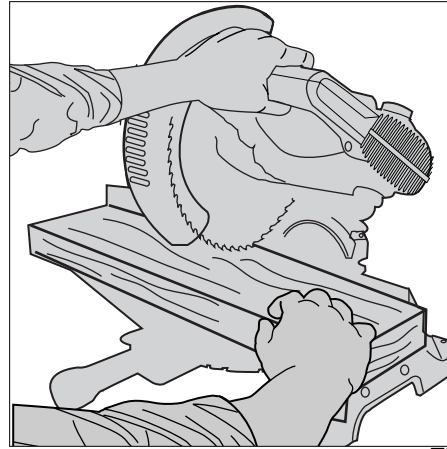
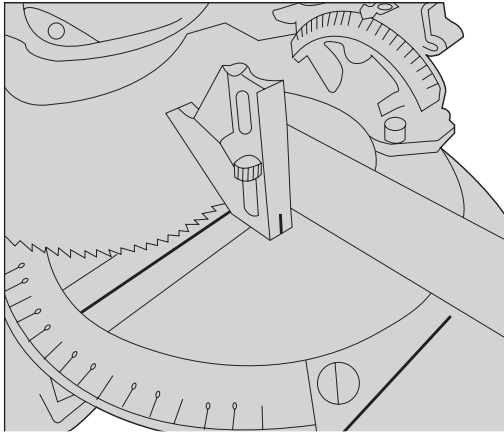


Fig. 11

Fig. 10

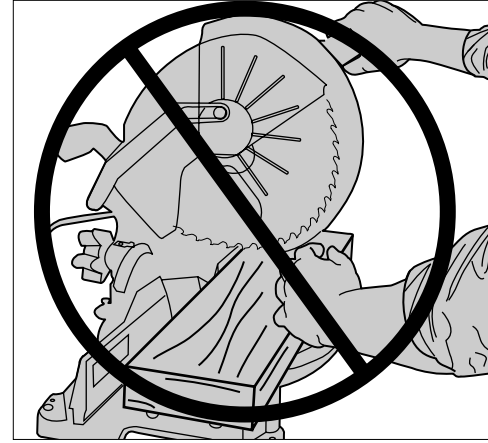
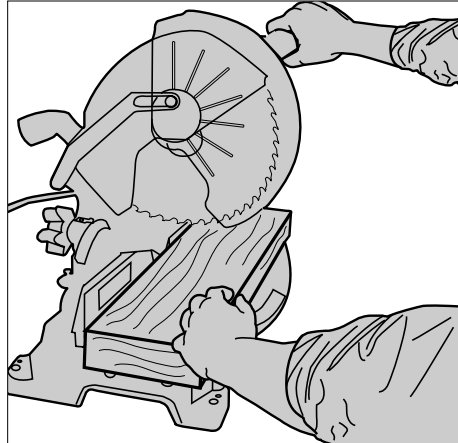
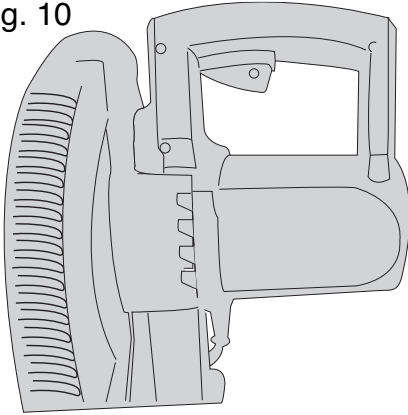


Fig. 12

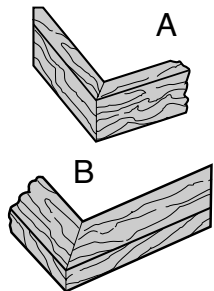


Fig. 13

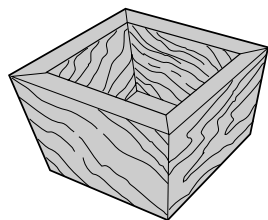


Fig. 14

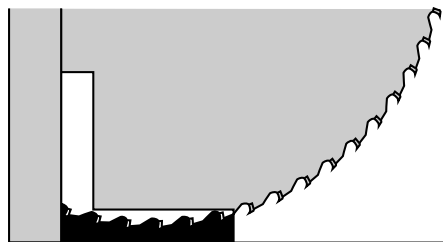


Fig. 15

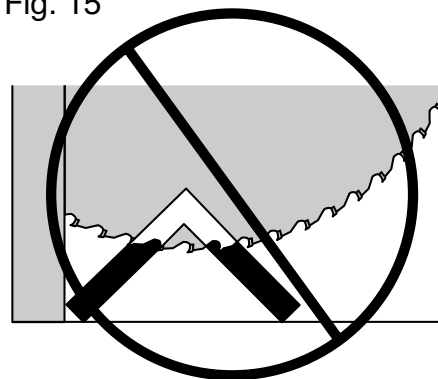


Fig. 16

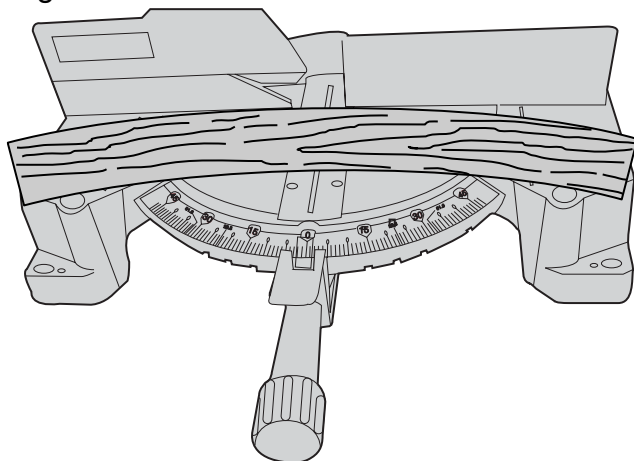


Fig. 17

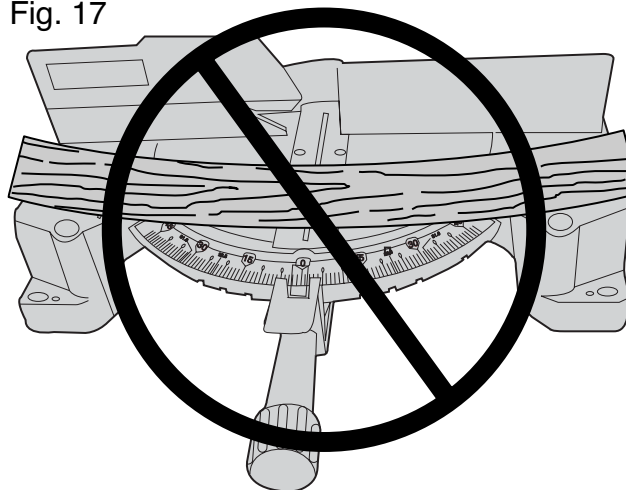


Fig. 18

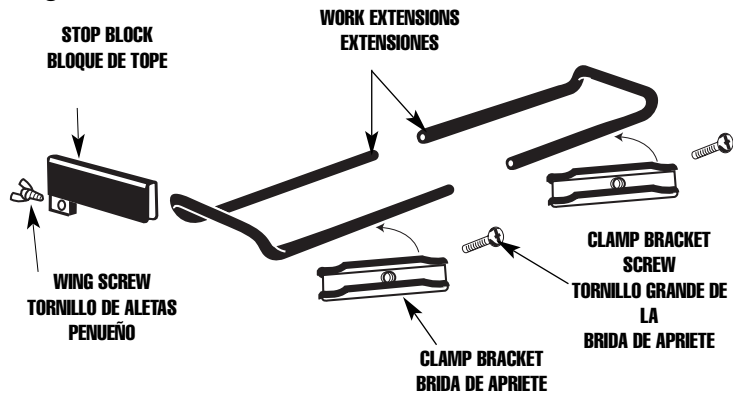


Fig. 19

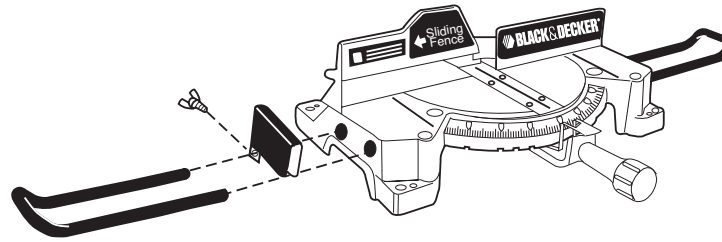


Fig. 20

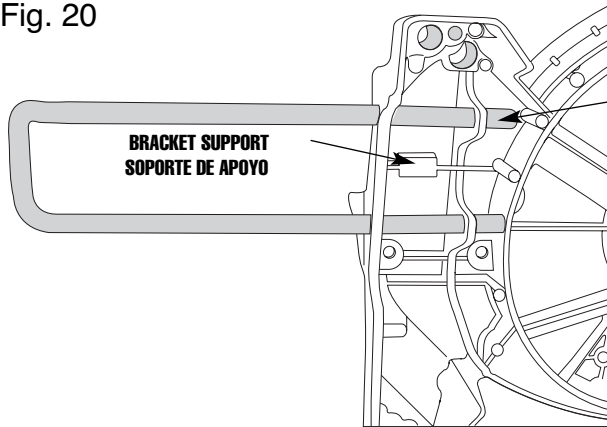
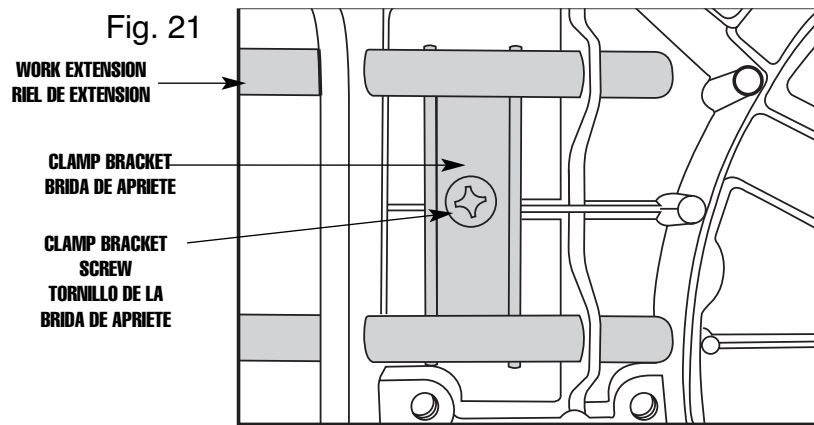


Fig. 21



⚠ Important Safety Instructions

⚠ **WARNING:** When using electric tools, basic safety precautions should always be followed to reduce risk of fire, electric shock, and personal injury, including the following:

READ ALL INSTRUCTIONS.

⚠ Safety Warnings: Double Insulation

Double insulated tools are constructed throughout with two separate layers of electrical insulation or one double thickness of insulation between you and the tool's electrical system. Tools built with this insulation system are not intended to be grounded. As a result, your tool is equipped with a two prong plug which permits you to use extension cords without concern for maintaining a ground connection.

NOTE: Double insulation does not take the place of normal safety precautions when operating this tool. The insulation system is for added protection against injury resulting from a possible electrical insulation failure within the tool.

REPLACEMENT PARTS: When servicing all tools, USE IDENTICAL REPLACEMENT PARTS. Repair or replace damaged cords.

⚠ Safety Instructions: Polarized Plugs

To reduce the risk of electric shock, this equipment has a polarized plug (one blade is wider than the other). This plug will fit in a polarized outlet only one way. If the plug does not fit fully into the outlet, reverse the plug. If it still does not fit, contact a qualified electrician to install the proper outlet. Do not change the plug in any way.

⚠ Safety Instructions For All Tools

- **KEEP GUARDS IN PLACE** and in working order.
- **REMOVE ADJUSTING KEYS AND WRENCHES.** Form habit of checking to see that keys and adjusting wrenches are removed from spindle before turning tool on.
- **KEEP WORK AREA CLEAN.** Cluttered areas and benches invite accidents.
- **DON'T USE IN DANGEROUS ENVIRONMENT.** Don't use power tools in damp or wet locations, or expose them to rain. Keep work area well lighted.
- **KEEP CHILDREN AWAY.** All visitors should be kept at a safe distance from work area.
- **MAKE WORKSHOP KID PROOF** with padlocks, master switches, or by removing starter keys.
- **DON'T FORCE TOOL.** It will do the job better and be safer at the rate for which it was designed.
- **USE RIGHT TOOL.** Don't force tool or attachment to do a job for which it was not designed.
- **WEAR PROPER APPAREL.** No loose clothing, gloves, neckties, rings, bracelets, or other jewelry which may get caught in moving parts. Nonslip footwear is recommended. Wear protective hair covering to contain long hair.
- **ALWAYS WEAR SAFETY GLASSES.** Also use face or dust mask if cutting operation is dusty. Everyday eyeglasses have only impact resistant lenses, they are NOT safety glasses.
- **SECURE WORK.** Use clamps or vise when you cannot secure the workpiece on the table and against the fence by hand or when your hand will be dangerously close to the blade (within 6").

- **DON'T OVERREACH.** Keep proper footing and balance at all times.
- **MAINTAIN TOOLS WITH CARE.** Keep tools sharp and clean for best and safest performance. Follow instructions for lubricating and changing accessories.
- **DISCONNECT TOOLS** before servicing; when changing accessories, such as blades, bits, cutters, and the like.
- **REDUCE THE RISK OF UNINTENTIONAL STARTING.** Make sure switch is in OFF position before plugging in.
- **USE RECOMMENDED ACCESSORIES.** Consult the instruction manual for recommended accessories. The use of improper accessories may cause risk of injury to persons.
- **NEVER STAND ON TOOL.** Serious injury could occur if the tool is tipped or if the cutting tool is unintentionally contacted.
- **CHECK DAMAGED PARTS.** Before further use of the tool, a guard or other part that is damaged should be carefully checked to determine that it will operate properly and perform its intended function—check for alignment of moving parts, binding of moving parts, breakage of parts, mounting and any other conditions that may affect its operation. A guard or other part that is damaged should be properly repaired or replaced. Do not use tool if switch does not turn it on and off.
- **NEVER LEAVE TOOL RUNNING UNATTENDED. TURN POWER OFF.** Don't leave tool until it comes to a complete stop.
- **DO NOT OPERATE ELECTRIC TOOLS NEAR FLAMMABLE LIQUIDS OR IN GASEOUS OR EXPLOSIVE ATMOSPHERES.** Motors in these tools may spark and ignite fumes.

If you have any questions, call 1-800-54-HOW-TO

- **USE PROPER EXTENSION CORDS.** Make sure your extension cord is in good condition. When using an extension cord, be sure to use one heavy enough to carry the current your product will draw. An undersized cord will cause a drop in line voltage resulting in loss of power and overheating. The following table shows the correct size to use depending on cord length and nameplate ampere rating. If in doubt, use the next heavier gage. The smaller the gage number, the heavier the cord.

Minimum Gage for Cord Sets					
Volts	Total Length of Cord in Feet				
120V	25	26-50	51-100	101-150	
240V	50	51-100	101-200	201-300	
Ampere Rating		American Wire Gage			
More Than	Not more Than				
0	- 6	18	16	16	14
6	- 10	18	16	14	12
10	- 12	16	16	14	12
12	- 16	14	12	Not Recommended	

Additional Safety Rules For Miter Saws

- ⚠ **CAUTION: FAILURE TO HEED THESE WARNINGS MAY RESULT IN PERSONAL INJURY AND SERIOUS DAMAGE TO THE SAW.**
- DO-Protect electric supply line with at least a 15 ampere time-delay fuse or a circuit breaker.
- DO-Make certain the blade rotates in the correct direction and that the teeth at the bottom of the blade are pointing to the rear of the miter saw.
- DO-Be sure all clamp handles are tight before starting any operation.

- DO-Be sure all blade and clamp washers are clean and recessed sides of collars are against blade. Tighten arbor screw securely.
- DO-Keep saw blade sharp.
- DO-Keep motor air slots free of chips and dirt.
- DO-Use blade guards at all times.
- DO-Keep hands out of path of saw blade.
- DO-Shut off power, disconnect cord from power source and wait for saw blade to stop before servicing or adjusting tool.
- DO-Support long work with an outboard tool rest.
- DO-Use only 10 inch diameter blades.
- DON'T-Attempt to operate on anything but designated voltage.
- DON'T-Operate unless all clamp handles are tight.
- DON'T-Use blades larger or smaller than those which are recommended.
- DON'T-Wedge anything against fan to hold motor shaft.
- DON'T-Force cutting action. (Stalling or partial stalling of motor can cause major damage. Allow motor to reach full speed before cutting.)
- DON'T-Cut ferrous metals (Those with any iron or steel content) or any masonry.
- DON'T-Use abrasive wheels. The excessive heat and abrasive particles generated by them will damage saw.
- DON'T-Allow anyone to stand behind saw.
- DON'T-Apply lubricants to the blade when it's running.
- DON'T-Place either hand in the blade area when the saw is connected to the power source.
- DON'T-Use blades rated less than 5500 R.P.M.

- DON'T-Attempt to cut small pieces (hand within 6" of blade) without clamping.
- DON'T-Operate saw without guards in place.
- DON'T-Perform any operation freehand.
- DON'T-Reach around or behind saw blade.
- DON'T-Place hands closer than 6 inches from the saw blade.
- DON'T-Reach underneath the saw unless it is turned off and unplugged. The saw blade is exposed on the underside of the saw.
- DON'T-Move either hand from saw or workpiece or raise arm until blade has stopped.
- DON'T-Use without Kerf Plate or when kerf slot is wider than 3/8".

⚠ WARNING: Some dust created by power sanding, sawing, grinding, drilling, and other construction activities contains chemicals known to cause cancer, birth defects or other reproductive harm. Some examples of these chemicals are:

- lead from lead-based paints,
- crystalline silica from bricks and cement and other masonry products, and
- arsenic and chromium from chemically-treated lumber (CCA).

Your risk from these exposures varies, depending on how often you do this type of work. To reduce your exposure to these chemicals: work in a well ventilated area, and work with approved safety equipment, such as those dust masks that are specially designed to filter out microscopic particles.

- Avoid prolonged contact with dust from power sanding, sawing, grinding, drilling, and other construction activities. Wear protective clothing and wash exposed areas with soap and water. Allowing dust to get into your mouth, eyes, or lay on the skin may promote absorption of harmful chemicals.

⚠ WARNING: Use of this tool can generate and/or disperse dust, which may cause serious and permanent respiratory or other injury. Always use NIOSH/OSHA approved respiratory protection appropriate for the dust exposure. Direct particles away from face and body.

⚠ CAUTION: Wear appropriate hearing protection during use. Under some conditions and duration of use, noise from this product may contribute to hearing loss.

⚠ CAUTION: Do not connect unit to electrical power source until complete instructions are read and understood. For your convenience and safety, the following warning labels are on your miter saw.

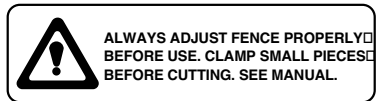
ON MOTOR HOUSING:

WARNING: FOR YOUR OWN SAFETY, READ INSTRUCTION MANUAL BEFORE OPERATING SAW. WHEN SERVICING, USE ONLY IDENTICAL REPLACEMENT PARTS. ALWAYS WEAR EYE PROTECTION.

ON MOVING FENCE:

ALWAYS ADJUST FENCE PROPERLY BEFORE USE.

CLAMP SMALL PIECES BEFORE CUTTING. SEE MANUAL.



ON GUARD: DANGER – KEEP AWAY FROM BLADE.



ON GUARD RETAINER PLATE: “PROPERLY SECURE BRACKET WITH BOTH SCREWS BEFORE USE.”



ON TABLE: (2 PLACES)

ALWAYS TIGHTEN ADJUSTMENT KNOBS BEFORE USE. KEEP HANDS 6" FROM PATH OF SAW BLADE. NEVER PERFORM ANY OPERATION FREEHAND. NEVER CROSS ARMS IN FRONT OF BLADE. THINK! YOU CAN PREVENT ACCIDENTS. DO NOT OPERATE SAW WITHOUT GUARDS IN PLACE. NEVER REACH IN BACK OF SAW BLADE. ALWAYS WEAR EYE PROTECTION. SHUT OFF POWER AND WAIT FOR BLADE TO STOP BEFORE SERVICING, ADJUSTING TOOL, OR MOVING HANDS.

Electrical Connection

Be sure your power supply agrees with the nameplate marking. 120 volts, AC/DC means that your saw will operate on alternating or direct current. A voltage decrease of 10 percent or more will cause a loss of power and overheating. All Black & Decker tools are factory tested. If this tool does not operate, check the power supply.

Unpacking Your Saw

Check the contents of your miter saw carton to make sure that you have received all parts. In addition to this instruction manual, the FS1500CMS miter saw with blade and a plastic bag containing the following:

1. Miter clamp handle (1)
2. Dust bag (1)
3. Work extensions (2) with clamps (2) and screws (2)
4. Stop block (1) with wing screw (1)
5. Allen wrenches (3)

Familiarization

Place the saw on a smooth, flat surface such as a workbench or strong table.

Examine **Figures 1 & 2** and refer to the parts description to become familiar with the saw and its various parts. The following section on adjustments will refer to these terms and you must know what and where the parts are. The part name is followed by the corresponding

part number Example - lock down pin (14).

Press down lightly on the operating handle and pull out the lock down pin (14), as shown in **Figure 3**. Gently release the downward pressure and allow the arm to rise to its full height. Use the lock down pin when carrying the saw from one place to another. Use the operating handle (1) to transport the saw or the hand indentations (15) shown in **Figure 2** after unplugging.

Specifications

CAPACITY OF CUT

47 degree miter left and right

47 degree bevel left: 2 degree right

0 degree miter - Max. Height 3-1/2 inches - Max. Width 5-1/2 inches

45 degree miter - Max. Height 3-1/2 inches - Max. Width 4-1/8 inches

45 degree bevel - Max. Height 2-1/2 inches - Max. Width 5-1/2 inches

Bench Mounting

Bench mounting holes (8) are provided in all four feet to facilitate bench mounting, as shown in **Figure 1**. (Two different sized holes are provided to accommodate different sizes of screws. Use either hole, it is not necessary to use both.) Always mount your saw firmly to prevent movement. To enhance the tool's portability, it can be mounted to a piece of 1/2" or thicker plywood which can then be clamped to your work support or moved to other job sites and reclamped. **NOTE:** If you elect to mount your saw to a piece of plywood, make sure that the mounting screws don't protrude from the bottom of the wood. The plywood must sit flush on the work support. When clamping the saw to any work surface, clamp only on the clamping bosses where the mounting screw holes are located. Clamping at any other point will interfere with the proper operation of the saw. **CAUTION:** To prevent binding and inaccuracy, be sure the mounting surface is not warped or otherwise uneven. If the saw rocks on the surface, place a thin piece of material under one saw foot until the saw sits firmly on the mounting surface.

11

Important Safety Instructions

Changing or Installing a New Saw Blade

⚠ CAUTION:

- Never depress the spindle lock button while the blade is under power or coasting.
- Do not cut ferrous metal (containing iron or steel) or masonry or fiber cement product with this miter saw.

Removing the Blade

1. Unplug the saw.
2. Raise the arm to the upper position and raise the lower guard (2) as far as possible.
3. Loosen, but do not remove guard bracket screw (figure 4) until the bracket can be raised far enough to access the blade screw. Lower guard will remain raised due to the position of the guard bracket screw.
4. Depress the spindle lock button (19) while carefully rotating the saw blade by hand until the lock engages.
5. Keeping the button depressed, use the other hand and the wrench provided to loosen the blade screw as shown in figure 5. (Turn clockwise, left-hand threads)
6. Remove the blade screw, outer clamp washer, and blade.

Installing a Blade

1. Unplug the saw.
2. With the arm raised, the lower guard held open and the pivot plate raised, place the blade on the spindle, and against the inner clamp washer with the teeth at the bottom of the blade pointing toward the back of the saw.
3. Assemble the outer clamp washer onto the spindle.
4. Install the blade screw and, engaging the spindle lock, tighten the screw firmly with wrench provided. (Turn counterclockwise, left-hand threads)

If you have any questions, call 1-800-54-HOW-TO

5. Return the guard bracket to its original position and firmly tighten the guard bracket screw to hold bracket in place.

⚠ WARNING:

- **The guard bracket must be returned to its original position and the screw tightened before activating the saw.**
- **Failure to do so may allow the guard to contact the spinning saw blade resulting in damage to the saw and severe personal injury.**

Assembling and Adjusting Your Saw

PERFORM ALL ASSEMBLY WITH SAW UNPLUGGED. Attach Miter Clamp Handle

Remove the miter clamp handle (4) from the plastic parts bag and carefully thread it into the bracket in the front of the saw.

Attaching Dust Bag

A zippered cloth dust bag is included with your saw. To attach the bag, fit the plastic opening firmly over the dust spout (9). **NOTE:** The saw can also be used with a vacuum cleaner hose attached to the dust spout or without any attachment.

Attaching Stop Block

A stop block is included for cutting multiple pieces to the same length. The stop block can be installed on either the right or left side of the saw base. Refer to figure 18 for a layout of the parts that make up the work extensions. Locate the stop block (23) and slide it over the back arm of either one of the work extensions as shown in Figure 19. Insert the wing screw into the threaded opening in the stop block. When using the stop block, loosen the wing screw and adjust the block to the desired distance from the blade for the cut being made. Once the stop block is installed it may be flipped up and back out of the way if not needed.

If you have any questions, call 1-800-54-HOW-TO

Attaching Work Extensions

The work extensions are installed using the clamp brackets and screws shown in figure 18. To install the extensions, carefully tilt the miter saw backwards exposing the underside of the base. Hold the clamp bracket against the bracket support shown in figure 20. Slide the work extension through the holes in the miter saw base and over the clamp bracket (figure 21). Tighten the bracket with the clamp bracket screw. Repeat the procedure on the opposite side of the saw for the remaining work extension.

Adjustments

PERFORM ALL ADJUSTMENTS WITH THE MITER SAW UNPLUGGED

NOTE: Your miter saw is fully and accurately adjusted at the factory at the time of manufacture. If readjustment due to shipping and handling or any other reason is required, follow the steps below to adjust your saw.

Miter Scale Adjustment

Place a square against the saw's fence and blade, as shown in **Figure 6**. (Do not touch the tips of the blade teeth with the square. To do so will cause an inaccurate measurement.) Loosen the miter clamp handle (4) as shown in **Figure 7** and swing the miter arm until the miter latch (5) locks it at the 0 miter position. Do not tighten the clamp handle. If the saw blade is not exactly perpendicular to the fence, loosen the two screws that hold the handle to the base (shown in **Figure 8**) and move the arm of the saw left or right until the blade is perpendicular to the fence, as measured with the square. Retighten the two screws. Pay no attention to the reading of the miter pointer at this point.

Miter Pointer AdjustMent

Loosen the miter clamp handle (4) and squeeze the miter latch (5) to move the miter arm to the zero position. With the miter clamp handle loose allow the miter latch to snap into place as you rotate the miter arm past zero. Observe the pointer and miter scale (6) through the miter latch opening. If the pointer does not indicate exactly zero, loosen screw and re-align the pointer.

Bevel Stop Adjustment

Loosen the bevel clamp knob (10) and move the cutting arm all the way to the right, then tighten the bevel clamp knob. Using a square, place one end of the square on the table and the other end against the blade. Check to see if the blade is at 90 degrees to the table. If an adjustment is necessary loosen the locknut below the right side bevel stop (13) and turn the screw until it contacts the casting when the blade is at 90 degrees. Then tighten locknut. To set the 45 degree bevel stop (opposite side), first loosen the left side fence clamping knobs (7) and slide the left side fence as far as it will go to the left. Loosen bevel clamp knob (10) and move the cutting arm all the way to the left bevel position and tighten bevel clamp knob. Using a combination square check to see that blade is at 45 degrees to the table as shown in **Figure 9**. If an adjustment is necessary, loosen the locknut on the left side of the casting and turn screw until it contacts casting when blade is at 45 degrees. Then tighten locknut.

To achieve 2 degree right bevel or 47 degree left bevel, the stop screws must be adjusted to allow the arm to move to the desired location. The bevel stops will need readjustment to the zero and 45 degree positions after cuts are made.

Bevel Pointers

If the bevel pointers (11) do not indicate zero, loosen the screw that holds it in place and move the pointer as necessary.

Fence Adjustment

Turn Off and Unplug the Miter Saw

In order that the saw can bevel to a full 47 degrees left, the left side of the fence can be adjusted to the left to provide clearance. To adjust the fence, loosen the two plastic knobs (7) shown in **Figure 1** and slide the fence to the left. Make a dry run with the saw turned off and check for clearance. Adjust the fence to be as close to the blade as practical to provide maximum workpiece support, without interfering with arm up & down movement. Tighten both knobs securely. When the bevel operations are complete, don't forget to relocate the fence to the right.

NOTE: The guide groove in the left side fence (7) can become clogged with sawdust. If you notice that it is becoming clogged, use a stick or some low pressure air to clear the guide groove.

Guard Actuation and Visibility

The blade guard on your saw has been designed to automatically raise when the arm is brought down and to lower over the blade when the arm is raised.

The guard can be raised by hand when installing or removing saw blades or for inspection of the saw. **NEVER RAISE THE BLADE GUARD MANUALLY UNLESS THE SAW IS TURNED OFF.**

NOTE: Certain special cuts will require that you manually raise the guard. To do this, simply place your right thumb on the upper side of the guard and roll the guard up just enough to clear the workpiece. Never tie up or otherwise prevent the guard from operating normally.

The front section of the guard is louvered for visibility while cutting. Although the louvers dramatically reduce flying debris, they are openings in the guard and safety glasses should be worn at all times when viewing through the louvers.

Automatic Electric Brake (120 Volt only)

Your saw is equipped with an automatic electric blade brake which stops the saw blade within 5 seconds of trigger release. This is not adjustable.

On occasion, there may be a delay after trigger release to brake engagement. On rare occasions, the brake may not engage at all and the blade will coast to a stop.

If a delay or "skipping" occurs, turn the saw on and off 4 or 5 times. If the condition persists, have the tool serviced by an authorized Black and Decker service center.

Always be sure the blade has stopped before removing it from the kerf. The brake is not a substitute for guards or for ensuring your own safety by giving the saw your complete attention.

Brushes

DISCONNECT PLUG FROM POWER SUPPLY

Inspect carbon brushes regularly by unplugging tool, removing the brush inspection cap (21) and withdrawing the brush assembly. Keep brushes clean and sliding freely in their guides. Always replace a used brush in the same orientation in the holder as it was prior to its removal. Carbon brushes have varying symbols stamped into their sides, and if the brush is worn down to the line closest to the spring, they must be replaced. Use only identical BLACK AND DECKER brushes. Use of the correct grade of brush is essential for proper operation of electric brake. New brush assemblies are available at Black & Decker service centers. The tool should be allowed to "run

If you have any questions, call 1-800-54-HOW-TO

in" (run at no load) for 10 minutes before use to seat new brushes. The electric brake may be erratic in operation until the brushes are properly seated (worn in).

While "running in" DO NOT TIE, TAPE, OR OTHERWISE LOCK THE TRIGGER SWITCH ON. HOLD BY HAND ONLY.

Operation

Plug the saw into any household 60 Hz power source. Refer to the nameplate for voltage. Be sure the cord will not interfere with your work.

Switch

To turn the saw on, depress the trigger switch (20) shown in **Figure 10**. To turn the tool off, release the switch. There is no provision for locking the switch on, but a hole is provided in the trigger for insertion of a padlock to lock the saw off.

Body and Hand Position (See figure 11)

Proper positioning of your body and hands when operating the miter saw will make cutting easier, more accurate and safer. Never place hands near cutting area. Place hands no closer than 6" from the blade. Hold the workpiece tightly to the table and the fence when cutting. Keep hands in position until the trigger has been released and the blade has completely stopped. ALWAYS MAKE DRY RUNS (UNPOWERED) BEFORE FINISH CUTS SO THAT YOU CAN CHECK THE PATH OF THE BLADE. **DO NOT CROSS HANDS, AS SHOWN IN FIGURE 11.**

Cutting with your Saw

NOTE: Although this saw will cut wood and many non-ferrous materials, we will limit our discussion to the cutting of wood only. The same guidelines apply to the other materials. **DO NOT CUT**

FERROUS (IRON AND STEEL) MATERIALS OR MASONRY WITH THIS SAW. Do not use any abrasive blades.

Crosscuts

NOTE: Cutting of multiple pieces is not recommended, but can be done safely by ensuring that each piece is held firmly against the table and fence.

A crosscut is made by cutting wood across the grain at any angle. A straight crosscut is made with the miter arm at the zero degree position. Set the miter arm at zero, hold the wood on the table and firmly against the fence. Turn on the saw by squeezing the trigger switch.

When the saw comes up to speed (about 1 second) lower the arm smoothly and slowly to cut through the wood. Let the blade come to a full stop before raising arm.

Miter crosscuts are made with the miter arm at some angle other than zero. This angle is often 45 degrees for making corners, but can be set anywhere from zero to 47 degrees left or right. After selecting the desired miter angle, be sure to tighten the miter clamp handle **(4)**. Make the cut as described above.

Bevel Cuts

A bevel cut is a crosscut made with the saw blade at a bevel to the wood. In order to set the bevel, loosen the bevel clamp knob **(10)** and move the saw to the left as desired. (It is necessary to move the left side of the fence to allow clearance). Once the desired bevel angle has been set, tighten the bevel clamp knob firmly.

Bevel angles can be set from 2 degrees right to 47 degrees left and can be cut with the miter arm set between zero and 47 degrees right or left.

Quality of Cut

The smoothness of any cut depends on a number of variables. Things like material being cut, blade type, blade sharpness and rate of cut all contribute to the quality of the cut.

When smoothest cuts are desired for molding and other precision work, a sharp (60 tooth carbide) blade and a slower, even cutting rate will produce the desired results.

Ensure that material does not creep while cutting, clamp it securely in place. Always let the blade come to a full stop before raising arm.

If small fibers of wood still split out at the rear of the workpiece, stick a piece of masking tape on the wood where the cut will be made. Saw through the tape and carefully remove tape when finished.

Keep both feet firmly on the floor and maintain proper balance. As you move the miter arm left and right, follow it and stand slightly to the side of the saw blade. Sight through the guard louvers when following a pencil line.

Clamping the Workpiece

Turn Off and Unplug Saw

If you cannot secure the workpiece on the table and against the fence by hand (irregular shape, etc.) or your hand will be within 6" of the blade, a clamp or fixture must be used.

Other convenient clamps such as spring, bar or C-clamps may be appropriate for certain sizes and shapes of workpieces. Use care in selecting and placing these clamps and make a dry run before making the cut. The left fence may be adjusted to aid clamping.

Support for Long Pieces

Turn Off and Unplug Saw

ALWAYS SUPPORT LONG PIECES.

For best results, use an extension work support to extend the table

width of your saw. Support long workpieces using any convenient means such as sawhorses or similar devices to keep the ends from dropping.

CUTTING PICTURE FRAMES, SHADOW BOXES AND OTHER FOUR SIDED PROJECTS

To best understand how to make the items listed here, we suggest that you try a few simple projects using scrap wood until you develop a "FEEL" for your saw.

Your saw is the perfect tool for mitering corners like the ones shown in **Figure 12**. Sketch A in **Figure 12** shows a joint made by using the bevel adjustment to bevel the edges of the two boards at 45 degrees each to produce a 90 degree corner. For this joint the miter arm was locked in the zero position and the bevel adjustment was locked at 45 degrees. The wood was positioned with the broad flat side against the table and the narrow edge against the fence. The cut could also be made by mitering right and left with the broad surface against the fence.

CUTTING TRIM MOLDING AND OTHER FRAMES

Sketch B in **Figure 12** shows a joint made by setting the miter arm at 45 degrees to miter the two boards to form a 90 degree corner. To make this type of joint, set the bevel adjustment to zero and the miter arm to 45 degrees. Once again, position the wood with the broad flat side on the table and the narrow edge against the fence.

The two sketches in **Figure 12** are for four side objects only.

As the number of sides changes, so do the miter and bevel angles. The chart below gives the proper angles for a variety of shapes.

(The chart assumes that all sides are of equal length.) For a shape that is not shown in the chart, use the following formula. 180 degrees divided by the number of sides equals the miter or bevel angle.

- EXAMPLES -

NO. SIDES	ANGLE MITER OR BEVEL
4	45°
5	36°
6	30°
7	25.7°
8	22.5°
9	20°
10	18°

CUTTING COMPOUND MITERS

A compound miter is a cut made using a miter angle and a bevel angle at the same time. This is the type of cut used to make frames or boxes with slanting sides like the one shown in **Figure 13**.

NOTE: If the cutting angle varies from cut to cut, check that the bevel clamp knob (10) and the miter clamp handle (4) are securely tightened. These knobs must be tightened after making any changes in bevel or miter.

CUTTING CROWN MOLDING

In order to fit properly, crown molding must be compound mitred with extreme accuracy.

The two flat surfaces on a given piece of crown molding are at angles that, when added together, equal exactly 90 degrees. Most, but not all, crown molding has a top rear angle (the section that fits flat against the ceiling) of 52 degrees and a bottom rear angle (the part that fits flat against the wall) of 38 degrees.

PRETESTING WITH SCRAP MATERIAL IS EXTREMELY IMPORTANT!

INSTRUCTIONS FOR CUTTING CROWN MOLDING LAYING FLAT AND USING THE COMPOUND FEATURES

1. Molding laying with broad back surface down flat on saw table
2. The settings below are for All Standard (U.S.) crown molding with 52° and 38° angles.

BEVEL SETTING	TYPE OF CUT
33.85°	LEFT SIDE, INSIDE CORNER: 1. Top of molding against fence 2. Miter table set right 31.62° 3. Save left end of cut
33.85°	RIGHT SIDE, INSIDE CORNER: 1. Bottom of molding against fence 2. Miter table set left 31.62° 3. Save left end of cut
33.85°	LEFT SIDE, OUTSIDE CORNER: 1. Bottom of molding against fence 2. Miter table set left 31.62° 3. Save right end of cut
33.85°	RIGHT SIDE, OUTSIDE CORNER: 1. Top of molding against fence 2. Miter table set right 31.62° 3. Save right end of cut

When setting bevel and miter angles for all compound miters, remember that:

The angles presented for crown moldings are very precise and difficult to set exactly. Since they can easily shift slightly and very few rooms have exactly square corners, all settings should be tested on scrap molding.

PRETESTING WITH SCRAP MATERIAL IS EXTREMELY IMPORTANT!

Special Cuts

NEVER MAKE ANY CUTS UNLESS THE MATERIAL IS SECURED ON THE TABLE AND AGAINST THE FENCE.

ALUMINUM CUTTING (CARBIDE TIPPED BLADE ONLY)

Aluminum extrusions such as those used when making aluminum screens and storm windows can easily be cut with your saw using the proper blade designed for non-ferrous metal cutting. Position the material so that you will be cutting the thinnest cross section, as shown in **Figure 14**. **Figure 15** illustrates the wrong way to cut these extrusions. Use a wax lubricant when cutting aluminum such as Johnson's Stick Wax No.140. Apply the stick wax directly to the saw blade before cutting. Never apply stick wax to a moving blade.

The wax, available at most hardware stores and industrial mill supply houses, provides proper lubrication and keeps chips from adhering to the blade.

Be sure to properly secure work. Certain workpieces, due to their size, shape or surface finish, may require the use of a clamp, jig or fixture to prevent movement during the cut.

BOWED MATERIAL

When cutting bowed material always position it as shown in **Figure 16** and never like that shown in **Figure 17**. Positioning the material incorrectly will cause it to pinch the blade near the completion of the cut.

CUTTING PLASTIC PIPE AND OTHER ROUND CROSS-SECTIONAL MATERIAL

Plastic pipe can be easily cut with your saw. It should be cut just like

wood and CLAMPED OR HELD FIRMLY TO THE FENCE TO KEEP IT FROM ROLLING PARTICULARLY WHEN MAKING ANGLE CUTS.

MAINTENANCE

(Perform all maintenance with miter saw unplugged.)

1. All bearings are sealed. They are lubricated for life and need no further maintenance.
2. Periodically clean all dust and wood chips from around AND UNDER the base and the rotary table. Even though slots are provided to allow debris to pass through, some dust will accumulate.
3. The brushes are designed to give you several years of use. If they ever need replacement follow the instructions in this manual or return the tool to the nearest service center for repair.

IMPORTANT

To assure product SAFETY and RELIABILITY, repairs, maintenance and adjustment (including brush inspection and replacement) should be performed by authorized service centers or other qualified service organizations, always using identical replacement parts.

Trouble Shooting Guide

BE SURE TO FOLLOW SAFETY RULES AND INSTRUCTIONS

TROUBLE! SAW WILL NOT START

WHAT'S WRONG?

1. Saw not plugged in.
2. Fuse blown or circuit breaker tripped.
3. Cord damaged.
4. Brushes worn out.

WHAT TO DO...

1. Plug in saw.
2. Replace fuse or reset circuit breaker.
3. Have cord replaced by authorized service center.
4. Have brushes replaced by authorized service center.

TROUBLE! SAW MAKES UNSATISFACTORY CUTS

WHAT'S WRONG?

1. Dull blade.
2. Blade mounted backwards.
3. Gum or pitch on blade.
4. Incorrect blade for work being done.

WHAT TO DO...

1. Replace blade.
2. Turn blade around.
3. Remove blade and clean with turpentine and coarse steel wool or household oven cleaner.
4. Change the blade.

TROUBLE! BLADE DOES NOT COME UP TO SPEED

WHAT'S WRONG?

1. Extension cord too light or too long.
2. Low house current.

WHAT TO DO...

1. Replace with adequate size cord.
2. Contact your electric company.

TROUBLE! MACHINE VIBRATES EXCESSIVELY

WHAT'S WRONG?

1. Saw not mounted securely.
2. Stand or bench on uneven floor.
3. Damaged saw blade.

WHAT TO DO...

1. Tighten all mounting hardware.
2. Reposition on flat level surface.
3. Replace blade.

TROUBLE! DOES NOT MAKE ACCURATE MITER CUTS

WHAT'S WRONG?

1. Miter scale not adjusted correctly.
2. Blade is not square to fence.
3. Blade is not perpendicular to table.
4. Workpiece moving.

WHAT TO DO...

1. Check and adjust.
2. Check and adjust.
3. Check and adjust fence.
4. Clamp workpiece to fence or glue 120 grit sandpaper to fence with rubber cement.

TROUBLE! MATERIAL PINCHES BLADE

WHAT'S WRONG?

1. Cutting bowed material.

WHAT TO DO...

1. Position bowed material as shown in Figure 16.

Service Information

Black & Decker offers a full network of company-owned and authorized service locations throughout North America. All Black & Decker Service Centers are staffed with trained personnel to provide customers with efficient and reliable power tool service.

Whether you need technical advice, repair, or genuine factory replacement parts, contact the Black & Decker location nearest you.

To find your local service location, refer to the yellow page directory under "Tools—Electric" or call: 1-800-54-HOW TO (544-6986).

ACCESSORIES

⚠ CAUTION: The use of any non-recommended accessory such as dado sets, molding cutters or abrasive wheels may be hazardous.

Full Two-Year Home Use Warranty

Black & Decker (U.S.) Inc. warrants this product for two years against any defects in material or workmanship. The defective product will be replaced or repaired at no charge in either of two ways:

The first, which will result in exchanges only, is to return the product to the retailer from whom it was purchased (provided that the store is a participating retailer). Returns should be made within the time period of the retailer's policy for exchanges (usually 30 to 90 days after the sale). Proof of purchase may be required. Please check with the retailer for their specific return policy regarding returns that are beyond the time set for exchanges.

The second option is to take or send the product (prepaid) to a Black & Decker owned or authorized Service Center for repair or

replacement at our option. Proof of purchase may be required. Black & Decker owned and authorized service centers are listed under "Tools-Electric" in the yellow pages of the phone directory.

This warranty does not apply to accessories. This warranty gives you specific legal rights and you may have other rights which vary from state to state. Should you have any questions, contact the manager of your nearest Black & Decker Service Center.

This product is not intended for commercial use.

FREE WARNING LABEL REPLACEMENT: If your warning labels become illegible or are missing, call 1-800-544-6986 for a free replacement.

Special WARRANTY Note to Contractors:

FIRESTORM™ branded products are offered as high end consumer home use tools and carry a **HOME USE WARRANTY**. These tools are designed, manufactured and tested to meet or exceed the needs of the do-it-yourselfer in the execution of projects and repairs in and around the home. With proper use they will provide the home owner with step up power and performance well beyond their two year warranty. However, if you use tools for a living and use FIRESTORM™ branded products or any of Black & Decker's other Consumer Home Use tools **ON THE JOBSITE** you should know that they **CANNOT BE COVERED UNDER OUR WARRANTY**.

Black & Decker (U.S.) Inc.,
701 E. Joppa Rd.
Towson, MD 21286 U.S.A.



See 'Tools-Electric'
– Yellow Pages –
for Service & Sales



SCIE À ONGLETS COMBINÉE DE 25 cm (10 po)

Description des pièces (figures 1 et 2)

FIG. 1

- (1) Poignée de manoeuvre
- (2) Protège-lame
- (3) Lame
- (4) Poignée de serrage (onglet)
- (5) Dispositif de verrouillage (onglet)
- (6) Échelle à onglet
- (7) Guide gauche et boutons de serrage
- (8) Orifices de montage de l'établi
- (22) Rallonge
- (23) Butée

FIG. 2

- (9) Tube chasse-poussière
 - (10) Bouton de serrage du biseau
 - (11) Indicateur de l'échelle de biseau
 - (12) Échelle de biseau
 - (13) Butée du biseau
 - (14) Goupille de verrouillage
 - (15) Empreintes de main
 - (16) Guide droit
 - (17) Fente de la plaque amovible
 - (18) Carter du moteur
 - (19) Bouton de verrouillage de la broche
 - (20) Interrupteur à gâchette
 - (21) Capuchon d'inspection du balai
- Remarque** : le sac à poussière (non illustré) doit être fixé sur le tube chasse-poussière no 9.

Si tiene cualquier pregunta, llame al 326-7100.

SCIE À ONGLETS COMBINÉE DE 25 CM (10 PO)

NO. FS1500CMS

RENSEIGNEMENTS IMPORTANTS :

- Utiliser seulement des lames bien aiguisées. Les lames usées ne coupent pas bien et peuvent surcharger le moteur.
- Si la scie ne coupe pas avec précision, se reporter au guide de DÉPANNAGE du présent manuel.

Consignes de sécurité importantes

⚠ **AVERTISSEMENT** : lorsqu'on utilise un outil électrique, on doit toujours suivre les consignes de sécurité, y compris celles décrites ci-dessous, afin de réduire les risques d'incendie, de choc électrique et de blessure.

LIRE TOUTES LES DIRECTIVES

⚠ Consignes de sécurité : double isolation

Afin de protéger l'utilisateur contre les chocs électriques, les outils à double isolation sont complètement recouverts de deux couches distinctes d'isolant électrique ou d'une double épaisseur de matière isolante. Les outils possédant ce type d'isolation ne sont pas destinés à être mis à la terre et, par conséquent, sont munis d'une fiche à deux broches permettant d'utiliser une rallonge ne nécessitant aucune prise de masse.

REMARQUE : le fait que cet outil soit muni d'une double isolation ne signifie pas que l'utilisateur doit cesser de suivre les consignes de sécurité qui s'imposent; l'isolation offre une protection supplémentaire contre les blessures causées par un choc électrique lorsque les systèmes d'isolation internes font défaut.

Pièces de rechange : lors de l'entretien, UTILISER DES PIÈCES DE RECHANGE IDENTIQUES; réparer ou remplacer également les cordons endommagés, y compris les rallonges.

⚠ **Consignes de sécurité : fiches polarisées**

Afin de réduire les risques de choc électrique, cet outil est muni d'une fiche polarisée (c'est-à-dire que l'une des lames est plus large que l'autre), et ne peut être raccordé qu'à une rallonge polarisée et ce, dans un seul sens. On doit l'inverser si on est incapable de l'enfoncer complètement. Si la fiche ne s'adapte toujours pas, on doit demander à un électricien qualifié d'installer la prise appropriée. On ne doit jamais modifier la fiche.

⚠ **Consignes de sécurité : tous les outils**

- GARDER LES DISPOSITIFS DE PROTECTION EN PLACE** et en bon état de fonctionnement.
- RETIRER LES CLÉS DE RÉGLAGE**; prendre l'habitude de s'assurer que les clés de réglage soient retirées de la broche avant de démarrer l'outil.
- GARDER LA ZONE DE TRAVAIL PROPRE**; les espaces de travail et les établis encombrés sont propices aux accidents.
- NE PAS UTILISER DANS DES ENDROITS DANGEREUX**; ne pas utiliser l'outil électrique dans des endroits humides ou mouillés, ni l'exposer à la pluie. Garder la zone de travail bien éclairée.
- TENIR LES ENFANTS À L'ÉCART**; s'assurer que personne ne se tienne trop près de la zone de travail.
- S'ASSURER QUE L'ATELIER SOIT SÛR POUR LES ENFANTS**; utiliser des cadenas, des interrupteurs centraux ou enlever les commandes de démarrage.
- NE PAS FORCER L'OUTIL**; pour obtenir de meilleurs résultats et réduire les risques de blessure, laisser l'outil couper à la vitesse pour laquelle il a été conçu.
- UTILISER L'OUTIL APPROPRIÉ**; ne pas forcer l'outil ou l'accessoire, ni l'utiliser pour des travaux autres que ceux pour lesquels il a été conçu.
- PORTER DES VÊTEMENTS APPROPRIÉS**; ne pas porter de vêtements amples ni de gants, de cravate, de bague, de bracelet ou d'autres bijoux, car ceux-ci peuvent rester coincés dans les pièces mobiles. On

recommande le port de chaussures antidérapantes. Couvrir les cheveux longs.

- TOUJOURS PORTER DES LUNETTES DE SÉCURITÉ**; porter aussi un masque lorsqu'on soulève de la poussière. Les lunettes ordinaires protègent uniquement les yeux contre les chocs et ne sont PAS des lunettes de protection.
- MOBILISER L'OUVRAGE**; utiliser des brides de serrage ou un étau lorsqu'il est impossible d'immobiliser l'ouvrage sur le plateau ou contre le guide avec les mains ou lorsque ces dernières sont trop près de la lame (à moins de 15 cm / 6 po).
- NE PAS TROP ÉTENDRE LES BRAS**; les pieds doivent rester ancrés fermement sur le sol afin de maintenir son équilibre en tout temps
- BIEN ENTREtenir L'OUTIL**; afin d'obtenir de meilleurs résultats et faire preuve de prudence, garder l'outil propre et bien aiguisé. Suivre les consignes lorsqu'on lubrifie ou on remplace les accessoires.
- DÉBRANCHER L'OUTIL** avant de procéder à l'entretien ou de remplacer des accessoires comme les lames, les mèches, les organes de coupe, etc.
- RÉDUIRE LES RISQUES DE DÉMARRAGE ACCIDENTEL**; s'assurer que l'interrupteur soit en position ARRÊT avant de brancher l'outil.
- UTILISER LES ACCESSOIRES RECOMMANDÉS**; consulter le manuel d'utilisation des accessoires appropriés. L'utilisation d'accessoires autres que ceux recommandés peut entraîner des blessures graves.
- NE JAMAIS METTRE LES PIEDS SUR L'OUTIL**; si l'outil se renverse ou est accidentellement mis en marche, il pourrait entraîner des blessures graves.
- VÉRIFIER LES PIÈCES ENDOMMAGÉES**; avant de poursuivre les travaux, on doit examiner attentivement les dispositifs de protection, ou toute autre pièce endommagée, afin de s'assurer qu'il fonctionne toujours adéquatement et qu'il est en mesure d'effectuer les travaux pour lesquels il a été conçu. Vérifier les pièces mobiles afin de s'assurer qu'elles soient bien alignées et qu'elles ne restent pas coincées; vérifier également les pièces et les assemblages afin de s'assurer qu'il n'y ait aucun bris ni aucune autre condition susceptible de nuire au bon fonctionnement de l'outil. On doit réparer ou remplacer toute pièce endommagée, y compris le protège-lame. Ne pas utiliser l'outil lorsque l'interrupteur marche-arrêt ne fonctionne pas.
- NE JAMAIS LAISSER L'OUTIL FONCTIONNER SANS**

soient propres et que les parties en retrait des colliers soient bien appuyées contre la lame. Bien serrer la vis de l'arbre.

- ON DOIT maintenir la lame aiguisée.
- ON DOIT s'assurer que les entrées d'air du moteur soient exemptes de copeaux et de poussière.
- ON DOIT se servir des dispositifs de protection en tout temps, y compris le protège-lame.
- ON DOIT garder les mains éloignées du trajet de la lame.
- ON DOIT couper le courant, débrancher le cordon et attendre que la lame s'arrête avant de procéder à l'entretien ou au réglage de l'outil.
- ON DOIT assurer le support des longs ouvrages en allongeant la surface de travail.
- ON DOIT utiliser seulement des lames de 25 cm (10 po) de diamètre.
- ON NE DOIT PAS faire fonctionner l'outil sous une tension autre que celle indiquée.
- ON NE DOIT PAS faire fonctionner l'outil si les poignées de serrage ne sont pas bien serrées.
- ON NE DOIT PAS utiliser de lames dont les dimensions diffèrent de celles recommandées.
- ON NE DOIT PAS placer quoi que ce soit contre le ventilateur de manière à retenir l'arbre du moteur.
- ON NE DOIT PAS forcer l'outil lors de la coupe. (Afin d'éviter de caler le moteur, même partiellement, et de causer ainsi des dommages importants, on doit laisser ce dernier atteindre sa vitesse maximale avant de procéder à la coupe.)
- ON NE DOIT PAS couper des métaux ferreux (contenant du fer ou de l'acier) ni de la maçonnerie.
- ON NE DOIT PAS utiliser de meule, car la chaleur excessive et les particules abrasives générées par celle-ci peuvent endommager la scie.
- ON NE DOIT PAS permettre à qui que ce soit de se tenir derrière la scie.
- ON NE DOIT PAS lubrifier la lame lorsqu'elle est en marche.
- ON NE DOIT PAS mettre les mains près de la lame lorsque la scie est branchée.
- ON NE DOIT PAS utiliser de lames ayant une vitesse nominale inférieure à 5 500 t/min.

If you have any questions, call 1-800-54-HOW-TO

22

SURVEILLANCE; COUPER L'ALIMENTATION et attendre que l'outil s'arrête complètement avant de quitter les lieux.

•NE PAS UTILISER UN OUTIL ÉLECTRIQUE À PROXIMITÉ DE LIQUIDES INFLAMMABLES NI DANS UNE ATMOSPHÈRE GAZEUSE OU EXPLOSIVE; le moteur peut créer des étincelles et enflammer les vapeurs environnantes.

•RALLONGES; s'assurer que la rallonge électrique soit en bon état et qu'elle soit en mesure de porter le courant nécessaire à l'outil. Une rallonge de calibre inférieur entraînera une chute de tension se traduisant par une perte de puissance et une surchauffe. Le tableau ci-dessous illustre les calibres que l'on doit utiliser selon la longueur de la rallonge et l'intensité nominale indiquée sur la plaque signalétique. En cas de doute, utiliser le calibre suivant. Plus le calibre est petit, plus la rallonge peut porter de courant.

Tension	Calibre minimal des cordons de rallonge			
	Longueur totale du cordon en pieds			
120 V	De 0 à 25	De 26 à 50	De 51 à 100	De 101 à 150
240 V	De 0 à 50	De 51 à 100	De 101 à 200	De 201 à 300

Intensité (A)	Calibre moyen de fil					
	Au moins	Au plus				
0	-	6	18	16	16	14
6	-	10	18	16	14	12
10	-	12	16	16	14	12
12	-	16	14	12	Non recommandé	

Consignes de sécurité additionnelles : scie à onglets

⚠ MISE EN GARDE : AFIN DE RÉDUIRE LES RISQUES DE BLESSURE ET D'ÉVITER D'ENDOMMAGER SÉRIEUSEMENT L'OUTIL, ON DOIT SUIVRE À LA LETTRE LES CONSIGNES SUIVANTES.

- ON DOIT protéger l'alimentation électrique au moyen d'un disjoncteur ou d'un fusible temporisé de 15 ampères ou plus.
- ON DOIT s'assurer que la lame tourne dans le bon sens et que les dents de la partie inférieure pointent vers l'arrière de la scie.
- ON DOIT s'assurer que les poignées de serrage soient bien serrées avant de procéder aux travaux.
- ON DOIT s'assurer que les rondelles de la lame et des brides de serrage

•ON NE DOIT PAS couper des pièces de petite dimension sans les fixer afin d'éviter de placer les mains trop près de la lame (à moins de 15 cm / 6 po).

•ON NE DOIT PAS faire fonctionner l'outil sans ses dispositifs de protection.

•ON NE DOIT PAS utiliser l'outil à main levée.

•ON NE DOIT PAS mettre les mains autour ou derrière la lame.

•ON NE DOIT PAS mettre les mains à moins de 15 cm (6 po) de la lame.

•ON NE DOIT PAS mettre les mains sous la scie lorsque celle-ci est en marche ou branchée, car la lame y est à découvert.

•ON NE DOIT PAS retirer les mains de la scie ou de l'ouvrage ni lever les bras avant que la scie ne se soit complètement arrêtée.

•ON NE DOIT PAS utiliser l'outil sans la plaque amovible ou lorsque la fente de cette dernière est plus large que 0,95 cm (3/8 po).

⚠ AVERTISSEMENT – La poussière provenant du ponçage électrique, du sciage, du meulage, du perçage et d'autres activités de construction contiennent des produits chimiques connus pour être cause de cancer, d'anomalies congénitales et autres préjudices à la reproduction. Voici quelques exemples de ces produits chimiques :

- plomb contenu dans les peintures à base de plomb;
- silice cristalline des briques et du ciment, et autres éléments de maçonnerie;
- arsenic et chrome contenus dans le bois traité (ACC).

Le risque découlant de l'exposition à ces produits chimiques varie en fonction de la fréquence à laquelle ce type de travail est exécuté. Afin de réduire l'exposition à ces produits chimiques, travailler dans une zone bien ventilée et utiliser un équipement de sécurité approuvé, notamment un masque antipoussières qui est spécialement conçu pour filtrer les particules microscopiques.

- Éviter tout contact prolongé avec la poussière provenant du ponçage électrique, du sciage, du meulage, du perçage et d'autres activités de construction. Porter des vêtements protecteurs et laver au savon et à l'eau les parties du corps exposées. Les poussières qui s'infiltrent dans la bouche et les yeux, ou qui se posent sur la peau peuvent favoriser l'absorption de produits chimiques nocifs.

⚠ AVERTISSEMENT : Cet outil peut produire et répandre de la

poussière susceptible de causer des dommages sérieux et permanents au système respiratoire. Toujours utiliser un appareil respiratoire anti-poussières approuvé par le NIOSH ou l'OSHA. Diriger les particules dans le sens opposé du visage et du corps.

⚠ ATTENTION – Porter les protecteurs auditifs appropriés durant l'utilisation de l'outil. Dans certaines conditions et selon la durée d'utilisation, le bruit engendré par ce produit peut contribuer à la perte de l'ouïe.

⚠ MISE EN GARDE : ne pas brancher l'outil avant d'avoir bien lu et compris toutes les directives.

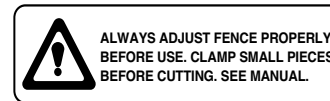
Afin de faciliter la tâche de l'utilisateur et d'assurer sa protection, la scie à onglets porte des étiquettes de mise en garde / d'avertissement sur les pièces suivantes :

SUR LE CARTER DU MOTEUR :

AVERTISSEMENT : AFIN DE TRAVAILLER EN TOUTE SÉCURITÉ, LIRE ATTENTIVEMENT LE MANUEL D'UTILISATION AVANT D'UTILISER LA SCIE. LORS DE L'ENTRETIEN, N'UTILISER QUE DES PIÈCES DE RECHANGE IDENTIQUES. TOUJOURS PORTER DES LUNETTES DE SÉCURITÉ.

SUR LE GUIDE MOBILE :

TOUJOURS BIEN RÉGLER LE GUIDE AVANT D'UTILISER LA SCIE. FIXER LES PETITES PIÈCES AVANT DE PROCÉDER À LA COUPE. CONSULTER LE MANUEL.



SUR LE PROTÈGE-LAME :

DANGER – SE TENIR LOIN DE LA LAME.

SUR LA PLAQUE DE RETENUE DU DISPOSITIF DE PROTECTION :

TOUJOURS SERRER FERMEMENT LA FERRURE AU MOYEN DES DEUX VIS AVANT D'UTILISER L'OUTIL.

DANGER

KEEP AWAY FROM BLADE!



SUR LE PLATEAU: (2 ENDROITS)

TOUJOURS SERRER SOLIDEMENT LES BOUTONS DE RÉGLAGE AVANT D'UTILISER L'OUTIL. GARDER LES MAINS À AU MOINS 15 cm (6 po) DU TRAJET DE LA LAME. NE JAMAIS EFFECTUER DE TRAVAUX À MAIN LEVÉE. NE JAMAIS CROISER LES BRAS DEVANT LA LAME. RÉFLÉCHIR AFIN DE PRÉVENIR LES ACCIDENTS. NE PAS FAIRE FONCTIONNER L'OUTIL SANS SES DISPOSITIFS DE PROTECTION. NE JAMAIS ÉTENDRE LES MAINS DERRIÈRE LA LAME. TOUJOURS PORTER DES LUNETTES DE PROTECTION. COUPER LE COURANT ET ATTENDRE QUE LA LAME S'ARRÊTE COMPLÈTEMENT AVANT DE PROCÉDER À L'ENTRETIEN, DE RÉGLER L'OUTIL OU DE DÉPLACER LES MAINS.

Raccordement électrique

S'assurer que l'alimentation corresponde aux valeurs nominales inscrites sur la plaque signalétique de la scie, soit 120 volts c.a. ou c.c. (courant alternatif ou continu). Une diminution de tension de 10 % ou plus entraînera une chute de puissance et une surchauffe. Tous les outils de Black & Decker sont mis à l'essai en usine. Si cet outil ne fonctionne pas, vérifier l'alimentation.

Déballage de la scie

Vérifier le contenu de la boîte afin de s'assurer d'avoir bien reçu toutes les pièces. En plus du manuel d'utilisation, la boîte devrait contenir une scie à onglets no FS1500CMS munie d'une lame ainsi qu'un sac en plastique contenant :

1. une (1) poignée-pince;
2. un (1) sac à poussière;
3. deux (2) rallonges munies de deux (2) brides de serrage et de deux (2) vis;
4. une (1) butée dotée d'une (1) vis à oreilles
5. trois (3) clés Allen;
6. une (1) clé de réglage de lame.

Pour obtenir de plus amples renseignements, composer le 1 800 544-6986.

Familiarisation

Déposer la scie sur une surface unie et plane, comme un établi ou une table solide.

Étudier les **figures 1 et 2** et consulter la description des pièces pour se familiariser avec la scie et ses composantes. La section suivante sur les réglages fait référence à ces termes; on doit donc connaître les pièces et leur emplacement. Le nom de la pièce est suivi du numéro correspondant comme, par exemple : «goupille de verrouillage (14).» Appuyer légèrement sur la poignée de manoeuvre et tirer sur la goupille de verrouillage (14) pour la retirer, tel qu'illustré à la figure 3. Relâcher doucement la pression ainsi exercée et laisser le bras monter jusqu'à sa position maximale. Se servir de la goupille de verrouillage lorsqu'on déplace la scie, et transporter cette dernière au moyen de la poignée de manoeuvre (1) ou des empreintes prévues à cet effet (15), tel qu'illustré à la **Figure 2**.

Caractéristiques techniques - Capacité de coupe

Onglet de 47° à gauche et à droite

Biseau de 47° à gauche et de 2° à droite

Onglet de 0°, - Hauteur max. 88.9mm (3,5 po)

Largeur max. 139.7mm (5,5 po)

Onglet de 45°, - Hauteur max. 88.9mm (3,5 po)

Largeur max. 104.8mm (4,125 po)

Biseau de 45°, - Hauteur max 63.5mm (2,5 po)

Largeur max. 104.8mm (5,5 po)

Montage sur un établi

Les quatre pattes de la scie sont pourvues d'orifices (8) afin de faciliter le montage sur l'établi, tel qu'illustré à la **figure 1**. Deux orifices de dimensions différentes sont fournis afin de pouvoir recevoir des vis de divers calibres; il n'est pas nécessaire d'utiliser les deux orifices. Toujours fixer la scie solidement afin d'empêcher tout mouvement. Pour que l'outil soit plus facile à transporter, on peut le monter sur une planche de contreplaqué d'au moins 1,27 cm (1/2 po) d'épaisseur, qu'on peut ensuite transporter et fixer de site en site.

REMARQUE : si on installe la scie sur une planche de contreplaqué, on doit s'assurer que les vis de montage ne dépassent pas la planche; cette dernière doit en effet être de niveau avec la surface de travail. Lorsqu'on fixe la scie à une surface de travail, on ne doit serrer les étaux que sur les protubérances prévues à cette fin, près des orifices de montage. Le fait de serrer les étaux à n'importe quel autre endroit pourrait nuire au bon fonctionnement de la scie.

⚠ **MISE EN GARDE** : afin d'assurer que la scie ne se coince pas et qu'elle coupe avec précision, on doit l'installer sur une surface unie et plane. Si la scie tend à basculer, mettre une cale mince sous l'un des supports pour la stabiliser.

Directives de sécurité importantes

Changement ou pose d'une nouvelle lame de scie

⚠ **MISE EN GARDE** :

- N'enfoncez jamais le bouton de verrouillage de la broche lorsque la lame est sous tension ou qu'elle continue de tourner après l'arrêt de la scie.
- Ne coupez pas du métal ferreux (contenant du fer ou de l'acier), de la maçonnerie ou du fibrociment avec cette scie à ongles.

Dépose de la lame

1. Débranchez la scie.
2. Levez le bras à la position supérieure, puis lever le pare-main (2) aussi haut que possible.
3. Desserrez la vis du support du pare-main (fig. 4) sans l'enlever de manière à ce que le support puisse être levé suffisamment haut pour accéder à la vis de la lame.
4. Enfoncez le bouton de verrouillage de la broche (19) tout en tournant la lame de scie manuellement de manière à engager le dispositif de verrouillage.
5. Maintenez le bouton enfoncé et utilisez l'autre main et la clé fournie (fig. 5) pour desserrer la vis de la lame. (Tournez dans le sens horaire, filets inversés)

6. Enlevez la vis de la lame, la rondelle de bride de fixation extérieure et la lame.

Pose d'une lame

1. Débranchez la scie.
2. Le bras étant levé, le pare-main inférieur ouvert et le porte-pivot levé, posez la lame sur la broche, sur l'adaptateur de lame [si une lame à trou de 25.4 mm (1 po) est utilisée] et contre la rondelle de bride de fixation intérieure, les dents se trouvant au bas de la lame et pointant vers l'arrière de la scie.
3. Assemblez la rondelle de bride de fixation extérieure sur la broche.
4. Posez la vis de la lame et, tout en engageant le bouton de verrouillage de la broche, serrez fermement la vis avec la clé fournie. (Tournez dans le sens antihoraire, filets inversés)
5. Remettez le support de pare-main à sa position d'origine, puis serrez fermement la vis du support de pare-main afin de maintenir en place le support.

⚠ **AVERTISSEMENT** :

- Le support du pare-main doit être remis à sa position d'origine et la vis doit être serrée avant d'activer la scie.
- Si vous négligez de le faire, le pare-main risque d'entrer en contact avec la lame de scie tournante et ainsi causer des dommages à la scie et des blessures corporelles graves.

Assemblage et réglage de la scie

Débrancher la scie avant de procéder à l'assemblage.

Fixation de la poignée-pince à la scie à ongles.

Retirer la poignée-pince (4) du sac en plastique, et la visser délicatement dans la ferrure située sur le devant de la scie.

Fixation du sac à poussière

Un sac à poussière en tissu muni d'une glissière est fourni avec la

scie. Pour fixer la scie à la scie, en enfoncer fermement l'ouverture en plastique sur l'embout du tube chasse-poussière (9). **REMARQUE** : on peut aussi utiliser la scie en fixant un tube d'aspiration sur le tube chasse-poussière ou encore, sans aucun accessoire.

Fixation de la butée

Une butée est fournie pour permettre la coupe de plusieurs pièces à la même longueur. On peut l'installer sur la base de la scie, soit du côté droit ou du côté gauche.

Se reporter à la figure 18 pour connaître la disposition des pièces des rallonges. Localiser la butée (23) et la faire glisser par-dessus le bras arrière de l'une ou l'autre des rallonges, tel qu'illustré à la figure 19. Insérer la vis à oreilles dans l'orifice fileté de la butée. Au moment d'utiliser cette dernière, desserrer la vis à oreilles et placer la butée à la distance voulue, selon la coupe à effectuer. Une fois la butée en place, on peut la faire pivoter vers l'arrière lorsqu'on ne veut plus s'en servir.

Fixation des rallonges

Les rallonges se fixent au moyen des ferrures et des vis illustrées à la figure 18. Pour ce faire, pencher soigneusement la scie vers l'arrière afin d'exposer le dessous de la base. Appuyer la ferrure contre son support, en suivant l'illustration à la figure 20. Faire glisser la rallonge à travers les orifices de la base de la scie et par-dessus la ferrure (figure 21). Fixer la ferrure au moyen de la vis prévue à cette fin. Installer l'autre rallonge sur le côté opposé, en procédant de la même façon.

Réglages

DÉBRANCHER LA SCIE À ONGLETS AVANT DE PROCÉDER AUX RÉGLAGES

REMARQUE : la scie à onglets a fait l'objet d'un réglage complet et précis à l'usine au moment de sa fabrication. Si des réglages supplémentaires s'avèrent nécessaires à la suite de la manutention et de l'expédition de l'outil, on doit procéder suivant les étapes

Pour obtenir de plus amples renseignements, composer le 1 800 544-6986.

décrites ci-dessous.

Réglage de l'échelle

Placer une équerre contre le guide et la lame, tel qu'illustré à la **figure 6**. (Éviter tout contact entre l'extrémité des dents de la lame et l'équerre afin de ne pas fausser les mesures.) Desserrer la poignée de serrage (**4**), tel qu'illustré à la **figure 7** et faire basculer le bras jusqu'à ce que le dispositif de verrouillage (**5**) bloque le bras à la position zéro; ne pas serrer la poignée de serrage. Si la lame n'est pas exactement perpendiculaire au guide, desserrer les deux vis qui retiennent la poignée à la base (**figure 8**), et déplacer latéralement le bâti sous le plateau jusqu'à ce que la lame soit complètement perpendiculaire au guide, tel qu'indiqué par l'équerre; resserrer les deux vis. Ne pas tenir compte de l'information affichée sur l'indicateur.

Réglage de l'indicateur

Desserrer la poignée de serrage (**4**) et placer le bras à la position zéro en appuyant sur le dispositif de verrouillage (**5**). Maintenir la poignée desserrée et laisser le dispositif de verrouillage s'enclencher à la position voulue tout en tournant le bras au-delà de la position zéro. Observer l'indicateur et l'échelle (**6**) par l'ouverture; si l'indicateur n'affiche pas exactement zéro, desserrer la vis et aligner ce dernier à nouveau.

Réglage de la butée du biseau

Desserrer le bouton de serrage du biseau (**10**) et déplacer le bras vers l'extrême droite, puis reserrer le bouton. Placer l'une des extrémités d'une équerre sur le plateau et appuyer l'autre extrémité contre la lame, en s'assurant que cette dernière soit perpendiculaire au plateau. Si on doit procéder à un réglage, desserrer l'écrou de blocage situé sous la butée droite (**13**), tourner la vis jusqu'à ce qu'elle entre en contact avec la pièce moulée, en s'assurant que la lame soit toujours perpendiculaire; reserrer l'écrou de blocage. Pour régler la butée du biseau à 45° (côté opposé), desserrer les boutons de serrage du guide gauche (**7**), glisser ce dernier aussi loin que possible

vers la gauche, puis desserrer le bouton (10) et déplacer le bras jusqu'à l'angle de biseau gauche; resserrer ensuite le bouton. Au moyen d'une équerre combinée, vérifier si l'angle de la lame est de 45° par rapport au plateau (figure 9). Si on doit procéder à un réglage, desserrer l'écrou de blocage situé à gauche de la pièce moulée et tourner la vis jusqu'à ce qu'elle entre en contact avec cette dernière, en s'assurant que la lame soit toujours de 45°; resserrer l'écrou de blocage.

Afin de réaliser un biseau de 2° à droite ou de 47° à gauche, on doit régler les vis de sorte que le bras puisse se déplacer vers la position voulue. Une fois les coupes terminées, les butées doivent être réglées de nouveau aux positions 0° et 45°.

Indicateur de biseau

Si l'indicateur de biseau (11) n'affiche pas zéro, desserrer la vis et effectuer le réglage requis, le cas échéant.

Réglage du guide

ARRÊTER ET DÉBRANCHER LA SCIE À ONGLETS

Afin que la scie puisse réaliser un biseau complet de 47° à gauche, on peut déplacer la section gauche du guide pour obtenir le jeu nécessaire. Pour régler le guide, desserrer les deux boutons en plastique (7), tel qu'illustré à la figure 1, et glisser le guide vers la gauche. Faire un essai à vide la scie arrêtée et vérifier s'il y a suffisamment de jeu. Régler le guide de manière à ce qu'il soit le plus près possible de la lame afin d'assurer un support maximal à l'ouvrage sans gêner les mouvements verticaux du bras; bien serrer les deux boutons. Une fois la coupe en biseau terminée, on doit replacer le guide vers la droite.

REMARQUE : la rainure du guide gauche (7) peut être obstruée par de la sciure de bois. Si tel est le cas, la nettoyer au moyen d'un petit bâton ou d'un jet d'air à basse pression.

Visibilité et déclenchement du protège-lame

Le protège-lame se lève ou se baisse automatiquement avec le bras.

On peut lever le protège-lame manuellement lorsqu'on installe ou on retire les lames ou qu'on inspecte la scie. **NE JAMAIS LEVER LE PROTÈGE-LAME MANUELLEMENT LORSQUE LA SCIE EST EN MARCHE.**

REMARQUE : il arrive qu'on doit lever le protège-lame manuellement pour réaliser certaines coupes.

La section avant du protège-lame est dotée de fentes qui améliorent la visibilité durant la coupe. Bien que, grâce à ces fentes, les projections de débris soient considérablement réduites, il reste qu'elles constituent des ouvertures; on doit toujours porter des lunettes de protection lorsqu'on s'en sert pour voir son ouvrage.

FREIN ÉLECTRIQUE AUTOMATIQUE (120 VOLTS SEULEMENT)

La scie est munie d'un frein électrique non réglable destiné à arrêter automatiquement la lame dans un délai de cinq secondes suivant le relâchement de la gâchette.

Le frein peut, à l'occasion, prendre plus de temps à s'engager ou, plus rarement, ne pas s'engager du tout, dans lequel cas, la lame continue de tourner lentement et s'arrête graduellement.

Si cela se produit, ou si la scie saute, démarrer et arrêter celle-ci quatre ou cinq fois. Si le problème persiste, retourner la scie à un centre de service Black & Decker.

On doit toujours s'assurer que la lame soit complètement arrêtée avant de la retirer de la plaque amovible. Le frein n'étant pas un dispositif de sécurité, on doit assurer sa propre protection en restant toujours vigilant.

Balais

Débrancher la fiche de la prise murale

On doit inspecter régulièrement les balais du moteur. Pour ce faire, débrancher l'outil, retirer le capuchon d'inspection des balais (21), puis les balais eux-mêmes. Maintenir ces derniers propres afin qu'ils

puissent glisser librement dans leurs guides. Lorsqu'on place un balai, on doit prendre soin de le mettre dans le même sens qu'avant. Divers symboles apparaissent sur les côtés de chaque balai; on doit remplacer ces derniers lorsque l'usure atteint la ligne la plus près du ressort. Afin d'assurer le bon fonctionnement du frein électrique, n'utiliser que les balais Black & Decker identiques et de même qualité offerts aux centres de service de la compagnie. Laisser l'outil marcher à vide pendant 10 minutes avant de l'utiliser afin de s'assurer que les nouveaux balais soient bien en place. Le frein électrique peut fonctionner de manière erratique pendant cette période, mais fonctionnera de nouveau normalement une fois les balais bien rodés et en place.

Durant le rodage des balais, **NE PAS RETENIR L'INTERRUPTEUR À GÂCHETTE AU MOYEN D'UNE CORDE, D'UN RUBAN ADHÉSIF OU D'AUTRE MOYEN DE BLOCAGE; NE LE MAINTENIR EN POSITION QU'AVEC LES MAINS.**

Fonctionnement

Brancher la scie dans une prise de courant résidentielle de 60 Hz; consulter la plaque signalétique afin de connaître la tension nominale de l'outil. S'assurer que le cordon ne gêne pas les travaux.

Interrupteur

Pour démarrer la scie, appuyer sur l'interrupteur à gâchette (20), tel qu'illustré à la **figure 10**; le relâcher pour arrêter l'outil. Bien que la scie ne soit pas munie d'un dispositif de verrouillage en position MARCHE, la gâchette est munie d'un orifice dans lequel on peut insérer un cadenas et ainsi bloquer la scie en position ARRÊT.

Méthode de coupe

REMARQUE : malgré le fait que la scie soit conçue pour couper plusieurs types de matériaux non ferreux, le présent manuel décrit uniquement la méthode de coupe du bois, laquelle s'applique également aux autres types de matériaux. **NE PAS UTILISER LA SCIE À ONGLETS POUR COUPER DES MÉTAUX FERREUX**

Pour obtenir de plus amples renseignements, composer le 1 800 544-6986.

(CONTENANT DU FER OU DE L'ACIER) NI DE LA MAÇONNERIE.

Ne pas utiliser de lames abrasives.

Coupes transversales

REMARQUE : la coupe de pièces multiples n'est pas recommandée.

Par contre, on peut l'effectuer en toute sécurité lorsqu'on s'assure que chaque pièce est fixée solidement contre le plateau ou le guide.

On effectue une coupe transversale en coupant à travers les fibres du bois et ce, à n'importe quel angle. Pour réaliser une coupe transversale droite, on doit régler le bras à la position zéro et tenir le bois sur le plateau en l'appuyant fermement contre le guide.

Démarrer la scie en appuyant sur l'interrupteur à gâchette.

Après environ une seconde, lorsque la scie a atteint sa vitesse maximale, abaisser graduellement et lentement le bras pour couper à travers le bois; attendre que la lame s'arrête complètement avant de relever le bras.

Pour obtenir une coupe transversale en onglet, régler le bras dans une position autre que zéro. Bien que toute position entre 0° et 47° à gauche ou à droite convienne, l'angle le plus souvent utilisé pour scier un coin en travers est de 45°. Une fois l'angle sélectionné, s'assurer d'avoir bien serré la poignée de serrage (4), puis effectuer la coupe suivant les directives ci-dessus.

Coupes en biseau

Une taille en biseau est une coupe transversale réalisée lorsque la lame forme un angle de biseau avec le bois. Afin de régler cet angle, desserrer le bouton de serrage (10) et déplacer la scie vers la gauche jusqu'à la position voulue. (Pour ce faire, on doit déplacer la section gauche du guide afin d'obtenir le jeu nécessaire.) Une fois l'angle obtenu, bien serrer le bouton.

On peut régler l'angle de biseau entre 2° à droite et 47° à gauche, et le bras entre la position 0° et 47° à droite ou à gauche.

Qualité de la coupe

L'uniformité d'une coupe dépend de plusieurs variables : le type

d'ouvrage, le type et l'état des lames et la vitesse de coupe sont tous des facteurs déterminants pour la qualité d'une coupe.

Lorsqu'on effectue des coupes de précision, telles que sur des moulures, et qu'on veut obtenir des arêtes aussi lisses que possible, il faut choisir une lame bien affûtée (à 60 dents de carbure) et une vitesse plus lente et uniforme.

Fixer solidement l'ouvrage en place afin de s'assurer qu'il ne glisse pas durant la coupe. Toujours attendre que la lame s'arrête complètement avant de lever le bras.

Si la coupe n'élimine pas les petites fibres de bois sur la partie arrière de l'ouvrage, couvrir la section au moyen d'un morceau de ruban-cache, scier à travers le ruban et le retirer soigneusement une fois la coupe terminée.

Position du corps et des mains (figure 11)

Pour obtenir facilement et en toute sécurité une coupe précise, le corps et les mains doivent être placés correctement. Ne jamais mettre les mains à proximité de la zone de coupe; les écarter d'au moins 15 cm (6 po) de la lame. Durant la coupe, maintenir solidement l'ouvrage sur le plateau et contre le guide. Garder les mains dans cette position jusqu'au relâchement de la gâchette et l'arrêt complet de la lame. **TOUJOURS EFFECTUER UN ESSAI À VIDE (OUTIL DÉBRANCHÉ) AVANT DE RÉALISER LES COUPES DE FINITION AFIN DE VÉRIFIER LE TRAJET DE LA LAME. NE PAS CROISER LES BRAS (FIGURE 11).**

Les pieds doivent rester ancrés fermement sur le sol afin de maintenir son équilibre en tout temps. Suivre le trajet latéral du bras en se tenant légèrement à côté de la lame. Suivre la marque effectuée au crayon à mine en regardant à travers les fentes prévues à cet effet.

Fixation de l'ouvrage

Arrêter et débrancher la scie

S'il s'avère impossible d'immobiliser l'ouvrage sur le plateau ou

contre le guide avec les mains (forme irrégulière, etc.) ou de maintenir les mains à plus de 15 cm / 6 po de la lame, on doit utiliser une bride de serrage ou un étai. D'autres dispositifs de fixation tels qu'un ressort, une barre ou un serre-joint en C peuvent convenir pour certains ouvrages, selon la dimension et la forme. On doit choisir et positionner ces dispositifs avec soin et effectuer un essai à vide avant de réaliser la coupe. Le guide gauche peut être réglé de manière à faciliter la fixation de l'ouvrage.

Support de longs ouvrages

Arrêter et débrancher la scie

TOUJOURS ASSURER LE SUPPORT DES LONGS OUVRAGES

Pour obtenir de meilleurs résultats, utiliser une rallonge conçue pour élargir le plateau de la scie. Supporter les longs ouvrages au moyen d'un banc de sciage ou de tout autre dispositif pratique afin d'empêcher les extrémités de tomber.

COUPE DE CADRES, DE COFFRAGES OU D'AUTRES OUVRAGES QUADRILATÉRAUX

Pour mieux comprendre comment fabriquer les ouvrages énumérés ci-dessus, on suggère de réaliser quelques projets plus simples utilisant des retailles jusqu'à ce qu'on se sente bien à l'AISE avec la scie, qui constitue l'outil parfait pour tailler des coins en onglets comme ceux illustrés à la **figure 12**. Pour effectuer le joint illustré au croquis A de la **figure 12**, on doit biseauter deux planches à 45° de manière à produire un coin droit, et ce, en réglant le bras à la position zéro et le bouton de réglage du biseau à 45°, et en plaçant la surface plane et large de la planche contre le plateau et le côté étroit contre le guide. On peut aussi obtenir cette coupe en taillant en onglet à droite et à gauche, et en mettant la surface plus large contre le guide.

COUPE DE BOISERIES OU D'AUTRES TYPES DE MOULURES

Le joint illustré au croquis B de la **figure 12** a été effectué en taillant deux planches en onglet pour produire un coin droit. Le bouton de réglage du biseau doit être bloqué à la position zéro et le bras, à 45°.

Comme dans le cas précédent, la surface plane et large de la planche doit être contre le plateau et le côté étroit, contre le guide. Les techniques illustrées aux croquis A et B de la **figure 12** ne s'appliquent qu'aux ouvrages quadrilatéraux.

Les angles d'onglet et de biseau varient selon le nombre de côtés; le diagramme ci-dessous indique quel angle convient à quel ouvrage. (Le diagramme ne vise que les objets à côtés égaux.) On peut obtenir l'angle d'onglet ou de biseau des autres ouvrages en divisant 180° par le nombre de côtés que comportent ces derniers.

- EXEMPLES -

NBRE DE CÔTÉS	ONGLET OU BISEAU
4	45°
5	36°
6	30°
7	25,7°
8	22,5°
9	20°
10	18°

COUPE À ONGLETS COMBINÉE

On entend par coupe à onglets combinée une coupe réalisée en combinant les angles d'onglet et de biseau. Cette technique sert à tailler des cadres ou des coffrages à parois inclinées, comme celui illustré à la **figure 13**.

REMARQUE : si l'angle varie d'une coupe à l'autre, s'assurer que le bouton de serrage du biseau (**10**) et de l'onglet (**4**) soient solidement fixés; ces derniers doivent être resserrés chaque fois qu'on modifie l'angle de biseau ou d'onglet.

COUPE DE MOULURES EN COURONNE

Pour que les moulures en couronne s'emboîtent bien, elles doivent être taillées en coupe combinée extrêmement précise; autrement dit, les deux surfaces planes de la moulure doivent former un angle droit parfait. Les moulures en couronne possèdent généralement un angle

Pour obtenir de plus amples renseignements, composer le **1 800 544-6986**.

30

supérieur arrière de 52° (c'est-à-dire la section qui s'appuie contre le plafond) et un angle arrière inférieur de 38° (soit la partie que l'on place contre le mur).

II EST EXTRÊMEMENT IMPORTANT DE S'EXERCER SUR DES RETAILLES AVANT DE COMMENCER!

DIRECTIVES VISANT LA COUPE PLANE DE MOULURES EN COURONNE AU MOYEN DE COUPES COMBINÉES

- 1.Placer la moulure sur le plateau de la scie, la surface arrière la plus large vers le bas.
- 2.Les réglages ci-dessous conviennent aux moulures de couronne qui répondent aux normes américaines (angles de 52° et de 38°).

BISEAU

COUPE

CÔTÉ GAUCHE, COIN INTÉRIEUR :

- 33,85° 1. Partie supérieure de la moulure contre le guide
 2. Réglage de 31,62° à droite
 3. Conserver l'extrémité gauche coupée

CÔTÉ DROIT, COIN INTÉRIEUR :

- 33,85° 1. Partie inférieure de la moulure contre le guide
 2. Réglage de 31,62° à gauche
 3. Conserver l'extrémité gauche coupée

CÔTÉ GAUCHE, COIN EXTÉRIEUR :

- 33,85° 1. Partie inférieure de la moulure contre le guide
 2. Réglage de 31,62° à gauche
 3. Conserver l'extrémité droite coupée

CÔTÉ DROIT, COIN EXTÉRIEUR :

- 33,85° 1. Partie supérieure de la moulure contre le guide
 2. Réglage de 31,62° à droite
 3. Conserver l'extrémité droite coupée

Lorsqu'on règle les angles d'onglet et de biseau pour effectuer une coupe combinée, on ne doit pas oublier que : les angles des moulures de couronne sont très précis et sont donc difficiles à faire. Puisque ces angles peuvent changer légèrement et que les coins d'une pièce ne sont pas toujours droits, on doit d'abord s'exercer sur des retailles, en utilisant les réglages indiqués.

II EST EXTRÊMEMENT IMPORTANT DE S'EXERCER SUR DES RETAILLES AVANT DE COMMENCER!

Coupes particulières

NE JAMAIS PRATIQUER UNE COUPE AVANT D'AVOIR D'ABORD IMMOBILISÉ L'OUVRAGE.

Coupe de l'aluminium

Les profilés d'aluminium, comme ceux utilisés pour fabriquer les moustiquaires et les contre-fenêtres, sont faciles à couper. **La figure 14** montre comment placer l'ouvrage afin de couper la section transversale la plus mince, alors que la **figure 15** illustre la méthode à éviter. Avant de commencer, lubrifier la lame avec une cire lubrifiante, comme la no 140 de Johnson's. Appliquer la cire directement sur la lame; ne jamais l'appliquer quand cette dernière est en mouvement.

Cette cire en bâton lubrifie bien la lame et empêche les copeaux d'y adhérer; elle est vendue dans les quincailleries et chez les fournisseurs de produits industriels.

Ouvrages courbés

Toujours placer les ouvrages courbés conformément à la **figure 16**; la **figure 17** montre la position à éviter. Les ouvrages mal placés resteront coincés sur la lame vers la fin de la coupe.

Coupe de tuyaux en plastique

Les tuyaux en plastique sont aussi faciles à couper. Comme le bois, les tuyaux doivent être retenus solidement au moyen d'étaux, ou appuyés contre le guide pour les empêcher de rouler.

Entretien

1. Tous les roulements sont étanches, lubrifiés en permanence et ne nécessitent aucun entretien.
- 2 Nettoyer périodiquement autour ET SOUS la base et le plateau tournant afin d'enlever la poussière et les copeaux de bois. Même si la scie est dotée de fentes permettant aux débris de s'échapper, avec le temps, la poussière peut s'accumuler.
3. Les balais sont conçus pour vous offrir plusieurs années de service. Si on doit les remplacer, suivre les directives dans le présent manuel ou emmener l'outil au centre de service autorisé le plus près.

Important

Pour garantir la SÉCURITÉ et la FIABILITÉ du produit, l'outil doit être réparé, entretenu et réglé, et les balais inspectés et remplacés, par un centre autorisé ou qualifié; seules des pièces de rechange identiques doivent être utilisées.

Accessoires

⚠ **MISE EN GARDE** : l'utilisation d'accessoires autres que ceux recommandés peut être dangereux.

Guide de dépannage

SUIVRE LES DIRECTIVES ET LES CONSIGNES DE SÉCURITÉ

PROBLÈME : LA SCIE NE DÉMARRE PAS

QUE SE PASSE-T-IL ?

- 1.La scie n'est pas branchée.
- 2.Le fusible a sauté ou le disjoncteurs'est déclenché.
- 3.Le cordon est endommagé.

- 4.Les balais sont usés.

QUOI FAIRE...

- 1.Brancher la scie.
- 2.Remplacer le fusible ou réenclencher le disjoncteur.
- 3.Faire remplacer le cordon par un centre de service autorisé.
4. Faire remplacer les balais par un centre de service autorisé.

PROBLÈME : la scie ne coupe pas de manière satisfaisante.

QUE SE PASSE-T-IL?

- 1.La lame est usée.
- 2.La lame est installée à l'envers.
- 3.La lame colle ou s'incline.

QUOI FAIRE...

- 1.Remplacer la lame.
- 2.Inverser la lame.
- 3.Retirer la lame et la nettoyer au moyen de térébentine et d'une laine d'acier rude ou d'un produit ménager pour nettoyer les cuisinières.
- 4.Changer la lame.

- 4.La lame ne convient pas aux travaux

PROBLÈME : la lame n'atteint pas sa vitesse maximale

QUE SE PASSE-T-IL?

- 1.La rallonge est trop longue ou de calibre insuffisant.
- 2.L'alimentation électrique est insuffisante.

QUOI FAIRE...

- 1.La remplacer par une rallonge appropriée.
- 2.Appeler la compagnie d'électricité.

PROBLÈME : l'outil vibre excessivement

QUE SE PASSE-T-IL?

- 1.La scie n'est pas fixée solidement.
- 2.Le support, ou l'établi, est sur une surface inégale.
- 3.La lame est endommagée.

QUOI FAIRE...

- 1.Serrer tous les éléments de montage.
- 2.Le placer sur une surface unie et plane.
- 3.Remplacer la lame.

PROBLÈME : la scie ne coupe pas les angles d'onglet avec précision

QUE SE PASSE-T-IL?

- 1.L'échelle n'est pas réglée correctement.
- 2.La lame n'est pas perpendiculaire au plateau.
- 3.La lame n'est pas perpendiculaire au plateau.

QUOI FAIRE...

- 1.La vérifier et la régler correctement.
- 2.La vérifier et la régler.
- 3.Vérifier et régler le guide.

Pour obtenir de plus amples renseignements, composer le **1 800 544-6986**.

- 4.L'ouvrage bouge.

- 4.Fixer solidement l'ouvrage contre le guide ou coller du papier sablé no 120 sur ce dernier au moyen d'une colle de caoutchouc.

PROBLÈME : l'ouvrage reste coincé sur la lame

QUE SE PASSE-T-IL?

- 1.L'ouvrage est courbé.

QUOI FAIRE...

- 1.Placer l'ouvrage conformément à la figure 16.

⚠ MISE EN GARDE : l'utilisation d'accessoires autres que ceux recommandés tels que les scies circulaires doubles à rainer, les couteaux à moulage ou les meules abrasives peut être dangereux.

RENSEIGNEMENTS CONCERNANT LE SERVICE

Black & Decker a un réseau complet de centres après-vente autorisés ou appartenant à la compagnie dans toute l'Amérique du Nord. Tous les centres après-vente Black & Decker ont un personnel bien formé qui assure aux clients un service d'entretien efficace et fiable aux clients Si vous avez besoin de conseils techniques, de réparation ou de pièces de rechange d'origine, communiquez avec le centre Black & Decker le plus proche. Pour trouver l'adresse du centre après-vente locale, consulter la rubrique dans les Pages Jaunes ou appeler: **1 800 544-6986**

GARANTIE COMPLÈTE DE DEUX ANS POUR L'USAGE DOMESTIQUE

Black & Decker (U.S.) Inc. garantit ce produit pour deux ans pour tous les défauts de matériel ou de fabrication. Tout produit défectueux sera remplacé ou réparé gratuitement, selon le cas.

La première option, qui se traduit seulement par un échange, consiste à retourner le produit au détaillant chez qui l'outil a été acheté (si le détaillant est un participant reconnu). Tous les retours doivent se faire durant la période de retour prévue dans la politique du détaillant pour les échanges (normalement 30 à 90 jours après la vente). Une preuve d'achat peut être requise. Vérifiez la politique du

détaillant concernant les retours après les limites de temps prévues. La seconde option consiste à apporter ou envoyer le produit (port payé) à un centre après-vente autorisé ou appartenant à Black & Decker pour la réparation ou le remplacement, à notre choix. Une preuve d'achat peut être requise. Les centres après-vente autorisés ou appartenant à Black & Decker sont indiqués dans les pages jaunes sous la rubrique .

Cette garantie ne s'applique pas aux accessoires. L'utilisateur peut également se prévaloir d'autres droits selon l'état ou la province qu'il habite. Pour tout renseignement, communiquez avec le gérant du centre après-vente Black & Decker le plus proche.

Ce produit n'est pas destiné à un usage commercial.

Remplacement gratuit de l'étiquette d'avertissement :

En cas de perte ou d'endommagement des étiquettes d'avertissement, composer le **1 800 544-6986** afin d'en obtenir de nouvelles sans frais.

Remarque à l'intention des entrepreneurs concernant la garantie spéciale

Les produits de marque FIRESTORM^{MC} sont des outils hauts de gamme destinés aux consommateurs et comportent une **GARANTIE POUR USAGE RÉSIDENTIEL**. Ces outils sont conçus, fabriqués et mis à l'essai en vue de répondre aux besoins du bricoleur, ou de les dépasser, lorsque ce dernier réalise des projets ou effectue des réparations à l'intérieur ou à l'extérieur de sa résidence. Utilisés correctement, ces outils procurent à l'utilisateur un rendement et une puissance supérieurs qui excèdent de loin la période de garantie de deux ans. Par contre, tout outil utilisé à des fins commerciales ou tout produit de marque FIRESTORM^{MC} ou tout autre produit Black & Decker destiné aux consommateurs et réservé à un usage résidentiel, utilisé dans le cadre d'une **ACTIVITÉ RELIÉE AU TRAVAIL, N'EST PAS COUVERT PAR LA PRÉSENTE GARANTIE.**

Imported by / Importé par
Black & Decker Canada Inc.
100 Central Ave.
Brockville (Ontario) K6V 5W6

Voir la rubrique "Outils électriques"
des Pages Jaunes
pour le service et les ventes.



FS1500CMS SIERRA DE ANGULO COMPUESTO DE 254 MM (10")

MANUAL DE INSTRUCCIONES

Descripción de partes (Figuras 1, 2)

FIG. 1

1. Mango de operación
2. Guarda
3. Disco de sierra
4. Mango de fijación de inglete
5. Seguro de inglete
6. Escala de inglete
7. Guía del lado izquierdo y perillas de fijación
8. Orificios para montaje en mesa
22. Extensión de trabajo
23. Tope

FIG. 2

9. Tolva para polvo
10. Perilla de fijación de bisel
11. Indicador de la escala de bisel
12. Escala de bisel
13. Tope de bisel
14. Perno de seguridad
15. Entrada para la mano
16. Guía del lado derecho
17. Ranura de base para corte
18. Carcaza del motor
19. Botón de seguro de la flecha
20. Interruptor de gatillo
21. Tapa de inspección de carbones

Nota: No se ilustra la bolsa para polvo. Se instala en la toma para polvo #9.

INFORMACION CLAVE QUE DEBE SABER:

- Corte únicamente con discos afilados. Los discos sin filo cortan pobremente y sobrecargan el motor.
- Si la sierra no corta con precisión, refiérase a la tabla de SOLUCION A PROBLEMAS FRECUENTES en este manual

⚠ Instrucciones importantes de seguridad

⚠ **ADVERTENCIA:** Siempre que utilice herramientas eléctricas, debe seguir ciertas precauciones básicas de seguridad, a fin de reducir los riesgos de incendio, choque eléctrico y lesiones personales, entre las que se incluyen las siguientes:

LEA TODAS LAS INSTRUCCIONES

⚠ Advertencias de seguridad: Doble aislamiento

Las herramientas con doble aislamiento se han elaborado de manera integral con dos capas separadas de aislamiento eléctrico o una con espesor doble entre usted y el sistema eléctrico que contienen. Las herramientas elaboradas con este sistema de aislamiento no requieren conectarse a tierra. Como resultado, su unidad está equipada con una clavija de dos patas que le permite emplear cordones de extensión sin preocuparse por tener una conexión a tierra.

NOTA: El doble aislamiento no substituye a las precauciones normales de seguridad cuando se opera esta herramienta. La finalidad de este sistema de aislamiento es ofrecer a usted protección añadida contra la lesión resultante de fallas en el aislamiento eléctrico interno de la herramienta.

PRECAUCION: UTILICE SOLAMENTE REFACCIONES IDENTICAS CUANDO SE HAGA SERVICIO. Repare o reemplace los cables dañados.

Si tiene cualquier pregunta, llame al (55) 5326-7100

⚠ Advertencias de seguridad: Clavijas polarizadas

Se emplean clavijas polarizadas en los equipos (con una pata más ancha que la otra) para reducir los riesgos de choque eléctrico. Cuando el cordón eléctrico cuente con este tipo de clavija, ajustará en un contacto polarizado solamente de una manera. Si la clavija no ajusta completamente en su contacto, inviértala. Si aún así no ajusta, llame a un electricista calificado para que le instale un contacto polarizado apropiado. No modifique o haga cambios en la clavija por ningún motivo.

Instrucciones de seguridad para todas las herramientas

- **CONSERVE LAS GUARDAS EN SU SITIO** y listas para el trabajo.
- **RETIRE LAS LLAVES DE AJUSTE Y OTRAS HERRAMIENTAS.** Hágase el hábito de revisar para verificar que las llaves se hayan retirado de la herramienta antes de encenderla.
- **CONSERVE LIMPIA EL AREA DE TRABAJO.** Los lugares y los bancos desordenados propician los accidentes.
- **NO SE UTILICE EN AMBIENTES PELIGROSOS.** No utilice herramientas eléctricas en lugares húmedos o inundados, ni las exponga a la lluvia. Conserve el área de trabajo bien iluminada.
- **CONSERVE APARTADOS A LOS NIÑOS.** Todos los visitantes deben permanecer a distancia segura del área de trabajo.
- **HAGA SU TALLER A PRUEBA DE NIÑOS** con candados, interruptores maestros o quitando las llaves de encendido.
- **NO FUERCE LA HERRAMIENTA.** Esta hará el trabajo mejor y de manera más segura bajo las especificaciones para las que se diseñó.
- **UTILICE LA HERRAMIENTA ADECUADA.** No fuerce a una herramienta o sus dispositivos a hacer trabajos para los que no se han diseñado.
- **VISTA LAS ROPAS ADECUADAS.** No utilice prendas flojas, guantes, corbatas, anillos, brazaletes, ni otros artículos de joyería que pudiesen quedar atrapados por las piezas en movimiento. Se recomienda el uso de calzado antiderrapante. Cúbrase el cabello si lo tiene largo.
- **SIEMPRE UTILICE ANTEOJOS DE SEGURIDAD.** También utilice

una máscara contra polvo si la operación que efectuará lo produce. Los anteojos de diario solamente tienen lentes resistentes al impacto, NO son anteojos de seguridad.

- **ASEGURE SUS PIEZAS DE TRABAJO.** Utilice prensas u otros medios cuando no pueda asegurar la pieza de trabajo en la mesa y contra la guía con la mano o cuando su mano quede peligrosamente cerca del disco (menos de 15 cm).
- **NO SE SOBREEXTIENDA.** Conserve los pies bien apoyados, lo mismo que el equilibrio.
- **CUIDE SUS HERRAMIENTAS.** Consérvelas afiladas y limpias para un rendimiento más seguro y más eficaz.. Siga las instrucciones para la lubricación y el cambio de accesorios.
- **DESCONECTE LAS HERRAMIENTAS** antes de darles servicio y cuando cambie de accesorios, tales como discos, brocas, cuchillas, y otros similares.
- **EVITE EL RIESGO DE ENCENDIDO ACCIDENTAL.** Asegúrese que el interruptor esté en posición de apagado antes de conectar la herramienta.
- **UTILICE LOS ACCESORIOS RECOMENDADOS.** Consulte el manual de instrucciones para conocer los accesorios recomendados. El empleo de accesorios no apropiados puede ocasionar riesgos de lesiones a las personas.
- **NUNCA SE PARE EN LA HERRAMIENTA.** Se puede lesionar gravemente si la herramienta se vuelca o hace contacto accidental con la pieza de corte.
- **REVISE LAS PARTES DAÑADAS.** Antes de seguir utilizando la herramienta, una guarda u otra pieza que esté dañada debe examinarse cuidadosamente para determinar si funcionará apropiadamente y cumplirá con su función. Revise la alineación de las piezas móviles, su montaje, la ruptura de las piezas, montajes y cualesquiera otras condiciones que pudiesen afectar su operación. Una guarda u otra parte dañada debe ser reparada correctamente o reemplazada. No se utilice si el interruptor no enciende y apaga la herramienta.
- **NUNCA DEJE LA HERRAMIENTA EN OPERACION DESATENDIDA. APAGUELA.** No deje la herramienta hasta que

se haya detenido completamente.

- **NO OPERE HERRAMIENTAS ELÉCTRICAS CERCA DE LÍQUIDOS INFLAMABLES NI EN ATMOSFERAS GASEOSAS O EXPLOSIVAS.** Los motores de estas herramientas emiten chispas que pueden originar la ignición de los vapores.
- **CABLES DE EXTENSION.** Asegúrese que su cable de extensión esté en buenas condiciones. Cuando utilice una extensión, asegúrese que tenga el calibre necesario para soportar la corriente que su herramienta requiere. Un cable con calibre menor causará una caída en el voltaje de la línea, ocasionando pérdida de potencia y sobrecalentamiento. El cuadro siguiente muestra el calibre correcto para usarse de acuerdo con la longitud y el amperaje descrito en la placa de identificación. Si tiene dudas, utilice el calibre siguiente. Mientras más pequeño sea el número del calibre, mayor será su capacidad.

Volts	Calibre mínimo para cordones de extensión				
	Longitud total del cordón en metros				
120V	0-7,6	7,9-15,2	15,5-30,4	30,7-45,7	
240V	0-15,2	15,5-30,4	30,7-60,9	61,2-27,8	
AMPERAJE					
Más de		No más de		CALIBRE AWG	
0	- 6	18	16	16	14
6	- 10	18	16	14	12
10	- 12	16	16	14	12
12	- 16	14	12	No se recomienda	

Reglas de seguridad adicionales para sierras de ángulo compuesto

⚠ **PRECAUCION:** HACER CASO OMISO A ESTAS ADVERTENCIAS PUEDE RESULTAR EN LESIONES PERSONALES Y DAÑOS GRAVES A LA SIERRA.

- **PROTEJA** la línea de alimentación eléctrica con un fusible de retardo de por lo menos 15 amperes o con un interruptor de circuito.

- ASEGURESE que el disco gira en la dirección correcta y que los dientes que se encuentran en la parte baja del disco apunten hacia la parte posterior de la sierra.
- ASEGURESE que todas las manijas de sujeción estén apretadas antes de iniciar cualquier operación.
- ASEGURESE de que todas las tuercas de sujeción del disco están limpias y que los lados hendidos de los collarines están contra el disco. Apriete bien la flecha.
- CONSERVE el disco de la sierra afilado y en la posición correcta.
- CONSERVE las tomas de aire del motor libres de astillas y mugre.
- SIEMPRE use las guardas del disco.
- CONSERVE las manos fuera de la zona de corte.
- APAGUE la corriente, desconecte el cable y espere que pare el disco antes de reparar o ajustar la herramienta.
- USE soportes para piezas largas con apoyos exteriores.
- UTILICE únicamente discos de 254 mm (10") de diámetro.
- NO intente utilizar la unidad con un voltaje diferente al designado.
- NO use la herramienta a menos que las empuñaduras estén bien sujetas.
- NO use discos más grandes o más pequeños que aquellos que se recomiendan.
- NO atore con nada el ventilador para sujetar el eje del motor.
- NO fuerce la acción de corte. (El atascamiento parcial o total del motor puede causar grandes daños. Deje que el motor alcance la velocidad total antes de cortar.)
- NO corte metales ferrosos (Aquellos con contenido de hierro o acero) ni materiales de mampostería.
- NO utilice discos abrasivos. El calor excesivo y las partículas abrasivas que generan dañan la sierra.
- NO permita que nadie se coloque detrás de la sierra.
- NO aplique lubricantes al disco cuando esté en funcionamiento.
- NO coloque sus manos en la zona del disco cuando la sierra esté conectada.
- NO utilice discos de sierra clasificados para velocidades menores a 5500 RPM.

Si tiene cualquier pregunta, llame al (55) 5326-7100

- NO Intente cortar piezas pequeñas (con la mano a menos de 15 cm del disco) sin prensarlas.
- NO utilice la sierra sin que las guardas estén en su posición.
- NO realice ninguna operación a manos libres.
- NO se coloque a los lados o por detrás del disco.
- NO acerque las manos a menos de 15 cm (6") del disco.
- NO coloque las manos por debajo de la sierra a menos de que este apagada y desconectada. El disco queda expuesto en la parte inferior de la sierra.
- NO mueva ninguna mano de la sierra o la pieza de trabajo, ni levante el brazo hasta que el disco se haya detenido.
- No se use sin placa de respaldo o cuando la ranura de ésta exceda los 10 mm (3/8").

⚠ADVERTENCIA: El polvo creado por el lijado con herramientas eléctricas, sierras, granulado, perforado y otras actividades de construcción contienen químicos reconocidos como causantes de cáncer, defectos de nacimiento u otros daños reproductivos. Algunos ejemplos son los siguientes:

- Plomo de pinturas sobre la base de plomo,
- Silicona cristalina de ladrillos y cemento así como otros productos de albañilería,
- Arsénico y cromo de madera tratada con químicos (CCA).

El riesgo que usted corre depende de la frecuencia con la cual efectúa este tipo de trabajo. Para reducir su exposición a estos químicos, trabaje en un área bien ventilada y use equipo apropiado de seguridad tales como mascarar contra el polvo especialmente diseñadas para filtrar partículas microscópicas.

- **Evite el contacto prolongado con el polvo de lijado, serruchado, granulado, perforado y otras actividades de construcción. Utilice vestimenta de protección y lave las zonas expuestas con jabón y agua.** Si permite que el polvo entre en su boca, ojos o entre en contacto con su piel esto puede causar la absorción de productos químicos dañinos.

⚠AVERTISSEMENT :El uso de esta herramienta puede generar y/o dispersar el polvo, el cual puede ocasionar lesión

respiratoria u otro tipo de lesión grave y permanente. Utilice siempre protección respiratoria NIOSH/OSHA apropiada para la exposición al polvo. Dirija las partículas lejos de su cara o su cuerpo.

⚠ CAUCION: Utilice protección para los oídos durante el uso. **Bajo ciertas condiciones y duración de uso,** el ruido de este producto puede contribuir a una pérdida del uso del oído.

⚠ PRECAUCION: No conecte la herramienta hasta que haya leído y entendido completamente estas instrucciones.

Para su comodidad y seguridad, se han colocado las siguientes etiquetas en su sierra de inglete.

EN LA CARCAZA DEL MOTOR:

ADVERTENCIA: POR SU PROPIA SEGURIDAD, LEA EL MANUAL DE INSTRUCCIONES ANTES DE OPERAR LA SIERRA.

EN LA GUIA MOVIL:

SIEMPRE AJUSTE LA GUIA ANTES DE USAR LA UNIDAD. SUJETE LAS PIEZAS PEQUEÑAS ANTES DE CORTARLAS. CONSULTE EL MANUAL

EN LA GUARDA

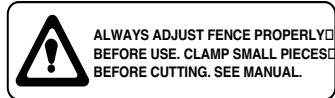
PELIGRO – ALEJESE DE EL DISCO

EN LA PLACA DE RETENCIÓN DEL PROTECTOR:

“FIJE DEBIDAMENTE EL SOPORTE CON AMBOS TORNILLOS ANTES DE UTILIZARLO.”

EN LA MESA: (2 SITIOS)

APRIETE SIEMPRE LAS PERILLAS DE AJUSTE ANTES DE USAR LA SIERRA. CONSERVE AMBAS MANOS A 15 cm DE DISTANCIA DEL DISCO DE LA SIERRA. NUNCA REALICE OPERACIONES A MANOS LIBRES. NUNCA CRUCE LOS BRAZOS POR ENFRENTA DEL DISCO DE LA SIERRA. ¡PIENSE! PUEDE EVITAR ACCIDENTES.



NO OPERE LA SIERRA SIN QUE LAS GUARDAS ESTÉN EN SU SITIO. NUNCA COLOQUE LAS MANOS POR DETRAS DEL DISCO DE LA SIERRA. UTILICE SIEMPRE PROTECCION EN LOS OJOS. APAGUE LA UNIDAD Y ESPERE A QUE EL DISCO SE DETENGA ANTES DE DAR SERVICIO, HACER AJUSTES O DE MOVER LAS MANOS.

Conexión eléctrica

Asegúrese de que la alimentación de corriente eléctrica coincida con la marcada en la etiqueta. 120 volts, AC/DC significa que su herramienta funciona con corriente alterna o con corriente directa.. Disminuciones en el voltaje de 10% o mayores causarán pérdida de potencia y sobrecalentamiento. Todas las herramientas DeWALT se prueban en la fábrica. Si esta herramienta no funciona, revise la alimentación de corriente.

Desempaque su sierra

Revise el contenido de la caja de su sierra de inglete para asegurarse de haber recibido todas las piezas. Además de este manual de instrucciones, la caja debe contener una sierra de inglete No. FS1500CMS con un disco y una bolsa de plástico con el siguiente contenido:

1. Mango de fijación de inglete (1)
2. Bolsa para polvo (1)
3. Extensiones de trabajo (2) con prensas (2) y tornillos (2)
4. Tope (1) con mariposa (1)
5. Llaves allen
6. Llave para el disco (1).

Familiarícese con su sierra

Coloque la ingleteadora en una superficie lisa y plana como una mesa de trabajo u otra mesa firme.

Examine las **figuras 1 y 2** para familiarizarse con la ingleteadora y sus diferentes piezas. La sección de ajustes que sigue se referirá a estos términos y usted deberá saber qué piezas son y donde están.

El nombre de la parte va seguido del número correspondiente, ejemplo - perno de seguridad (14).

Presione hacia abajo ligeramente sobre el mango de operación y saque el perno de sujeción (14), como se observa en la **Figura 3**. Libere suavemente la presión y deje que el brazo se eleve a su altura máxima. Utilice el perno de sujeción cuando transporte su sierra. Siempre use el mango de operación (1) para llevarla o emplee las entradas para las manos (15) como se muestra en la **Figura 2**.

Especificaciones

CAPACIDAD DE CORTE

Inglete de 47 grados a izquierda y derecha

Bisel de 47 grados a la izquierda: 2 grados a la derecha

Inglete de 0 grados -

Altura máxima 88.9mm (3,5)

Ancho máximo 139.7mm (5,5)

Inglete de 45 grados -

Altura máxima 88.9mm (3,5)

Ancho máximo 104.8mm (4,125)

Bisel de 45 grados -

Altura máxima 63.5mm (2,5)

Ancho máximo 104.8mm (5,5)

Montaje en mesa

Las cuatro patas cuentan con orificios (8), como muestra la **Figura 1**, para facilitar el montaje de mesa. (Hay dos tamaños diferentes de orificios para acomodarse a diferentes tamaños de tornillos. Use cualquiera de los orificios, no es necesario usar ambos.) Siempre monte su sierra firmemente para evitar el movimiento. Para mejorar el transporte de la herramienta, se puede montar en una pieza de madera contraplacada de 12,7 mm (1/2") o más gruesa, que puede ser prensada al soporte o llevarse a otros lugares de trabajo.

NOTA: Si elige montar su sierra en una pieza de madera, asegúrese que los tornillos de montaje no sobresalgan de la parte inferior de la madera. La madera debe quedar nivelada sobre el soporte. Cuando *Si tiene cualquier pregunta, llame al (55) 5326-7100*

38

sujete la sierra a cualquier superficie, hágalo siempre sobre los orificios de montaje. Si lo hiciera en otro lugar interferiría con el buen funcionamiento de la sierra.

⚠ PRECAUCION: Para evitar que la sierra se atasque y la falta de precisión, asegúrese que la tabla de montaje no está desnivelada. Si la sierra se mueve sobre la superficie, ponga un trozo de material debajo de a base hasta que la sierra se asiente bien sobre la superficie.

Instrucciones de seguridad importantes

Cambio o instalación de una hoja nueva de sierra

⚠ PRECAUCION:

- Nunca oprima el botón de traba de eje mientras la hoja esté en funcionamiento o en marcha por inercia.
- No utilice esta sierra ingletadora para cortar metales ferrosos (que contengan hierro o acero) o mampostería o productos de cemento de fibra.

Retiro de la hoja

1. Desenchufe la sierra.
2. Levante el brazo hasta la posición superior y levante la protección inferior (2) todo lo que sea posible.
3. Afloje, pero no retire el tornillo del soporte de la protección (figura 4) hasta que se pueda levantar suficientemente el soporte como para tener acceso al tornillo de la hoja.
4. Oprima el botón de traba de eje (19) mientras gira cuidadosamente la hoja de la sierra a mano hasta enganchar la traba.
5. Manteniendo el botón oprimido, utilice la otra mano y la llave proporcionada (figura 5) para aflojar el tornillo de la hoja. (Gire en sentido de las agujas del reloj, rosca de mano izquierda)
6. Retire el tornillo de la hoja, la arandela de abrazadera externa y la hoja.

Instalación de la hoja

1. Desenchufe la sierra.
2. Con el brazo levantado, la protección inferior mantenida abierta y la placa de rotación levantada, ubique la hoja en el eje sobre el adaptador de hoja, si utiliza una hoja con orificio de hoja de 1 pulgada de diámetro, y contra la arandela de la abrazadera interna con los dientes de la parte inferior de la hoja apuntando hacia la parte de atrás de la sierra.
3. Monte la arandela de abrazadera exterior sobre el eje.
4. Instale el tornillo de la hoja y, engancho la traba del eje, ajuste el tornillo firmemente con la llave provista. (Gire en sentido contrario a las agujas del reloj, roscas de mano izquierda)
5. Devuelva el soporte de la protección a su posición original y ajuste firmemente el tornillo del soporte de la protección para mantener al soporte en su lugar.

⚠ ADVERTENCIA:

- **Se debe volver a colocar el soporte de la protección en su posición original y se debe ajustar el tornillo antes de poner en funcionamiento a la sierra.**
- **El incumplimiento de esta instrucción podría permitir que la protección se ponga en contacto con la hoja de la sierra en rotación provocando daños a la sierra y daños personales graves.**

Ensamblaje y ajuste de su sierra

Efectúe el ensamblaje con la sierra desconectada.

Instalación del mango de fijación de inglete

Tome el mango de fijación de inglete (4) de la bolsa de partes de plástico y enrósquelo cuidadosamente en el soporte del frente de la sierra.

Instalación de la bolsa para polvo

Su sierra incluye una bolsa para polvo de tela con cremallera. Para instalar la bolsa, coloque la abertura de plástico con firmeza sobre la toma para polvo (9). NOTA: la sierra puede emplearse con una manguera de aspiradora unida a la toma de polvo, o sin ningún dispositivo.

Instalación del tope

Se incluye un tope para cortar múltiples piezas con la misma longitud. El tope puede instalarse del lado derecho o del lado izquierdo de la base de la sierra.

Consulte en la figura 18 el diagrama para configurar las extensiones de trabajo. Coloque el tope (23) y deslícelo sobre el brazo posterior o sobre cualquiera de las extensiones de trabajo como se muestra en la Figura 19. Inserte el tornillo de mariposa en la abertura con cuerda del tope. Cuando use el tope, afloje el tornillo de mariposa y ajuste el tope a la distancia que desee del disco para el corte que vaya a hacer. Una vez instalado el tope, puede girarlo hacia atrás para que no estorbe cuando no se necesite.

Instalación de las extensiones de trabajo

Las extensiones de trabajo se instalan con las prensas de soporte y los tornillos que se ilustran en la figura 18. Para instalar las extensiones, incline con cuidado la sierra hacia atrás dejando expuesto el lado inferior de la base. Sujete la prensa de soporte contra el soporte que se muestra en la figura 20. Deslice la extensión de trabajo por los orificios de la base de la sierra de inglete y sobre la prensa de soporte (figura 21). Apriete el soporte con el tornillos de la prensa de soporte. Repita el procedimiento en el lado opuesto de la sierra para la extensión de trabajo que queda.

Ajustes

HAGA TODOS LOS AJUSTES CON LA SIERRA DESCONECTADA.

NOTA: Su sierra viene perfectamente ajustada de fábrica a la hora de su producción. Si se requiere un reajuste debido a algún problema causado por el envío, siga los pasos que se mencionan a continuación para ajustar su sierra.

AJUSTE DE LA ESCALA DE INGLETE

Ponga una escuadra contra la guía de la sierra y el disco, como muestra la **Figura 6**. (No toque los dientes de el disco con la escuadra. Hacerlo causará una medición imprecisa). Afloje la perilla de fijación de inglete (**4**) ilustrada por la **Figura 7** y balancee el brazo de inglete hasta que el seguro (**5**) se fije en la posición de inglete 0. No apriete la perilla de fijación. Si el disco no está exactamente perpendicular a la guía, afloje los tres tornillos que unen la escala de inglete a la base (como muestra la **Figura 8**) y mueva el brazo de la sierra hacia la izquierda o derecha hasta que el disco quede perpendicular a la guía, medido con la escuadra. Vuelva a apretar los tres tornillos. No preste atención ahora al indicador de inglete.

AJUSTE DEL INDICADOR DE INGLETE

Afloje la perilla de fijación de inglete (**4**) y oprima el seguro de inglete (**5**) para mover el brazo a la posición cero, como muestra la figura 9. Con la perilla de fijación de inglete floja, haga que el seguro de inglete se acomode en su sitio mientras gira el brazo mas allá de cero. Observe el indicador y la escala de inglete (6) a través de la abertura. Si la flecha no indica exactamente cero, empújela suavemente hacia la derecha o izquierda como se requiera.

AJUSTE DEL TOPE DE BISEL

Afloje la perilla de fijación de bisel (**10**) y mueva el brazo de corte todo lo posible hacia la derecha, a continuación apriete la perilla de fijación de bisel. Coloque el extremo de una escuadra sobre la mesa y el otro extremo contra el disco. Si se requiere hacer algún ajuste,

Si tiene cualquier pregunta, llame al (55) 5326-7100

afloje la tuerca de seguridad que se encuentra debajo del lado derecho del tope de bisel (**13**) y gire el tornillo hasta que haga contacto con la pieza de fundición cuando el disco esté a 90 grados. Apriete la tuerca de seguridad. Parea ajustar el tope de bisel de 45 grados (lado opuesto), afloje primero las perillas de fijación de la guía izquierda (**7**) y deslice la guía del lado izquierdo hacia la izquierda tanto como se pueda. Afloje la perilla de fijación de bisel (**10**) y mueva el brazo de corte todo lo posible hacia la posición de bisel a la izquierda y apriete la perilla de fijación. Con una escuadra falsa revise que el disco quede a 45 grados en relación con la mesa, como se observa en la **Figura 9**. Si se requieren ajustes, afloje la tuerca de seguridad del lado derecho de la pieza de fundición y gire el tornillo hasta que haga contacto con la pieza de fundición cuando el disco esté a 45 grados. Apriete la tuerca de seguridad.

Para lograr un bisel de 2 grados a la derecha o un bisel de 47 grados a la izquierda, los tornillos tope deben ajustarse para permitir que el brazo se mueva al lugar deseado. Los topes de bisel requerirán ajustarse en las posiciones de 0 y 45 grados después de hacer los cortes.

INDICADORES DE BISEL

Si los indicadores de bisel (**11**) no indican cero, afloje el tornillo que los sujeta en su sitio y mueva el indicador como sea necesario.

AJUSTE DE LA GUIA

Apague y desconecte la sierra

Para poder inclinar completamente la sierra a 47 grados a la izquierda, debe ajustarse la guía del lado izquierdo para permitir el paso. Para ajustar la guía, afloje las perillas de plástico (**7**) mostrado en la **Figura 1** y deslice la guía hacia la izquierda. Haga una corrida en seco con la sierra apagada para verificar el paso. Ajuste la guía para que quede tan cerca como sea posible al disco, para permitir el máximo apoyo a la pieza de trabajo, sin interferir con el movimiento del brazo hacia arriba y hacia abajo. Apriete ambas perillas de seguridad con firmeza. Cuando las operaciones de biselado se

hayan completado, no olvide colocar la guía a la derecha.

NOTA: El canal de la guía del lado izquierdo (7) se puede bloquear con serrín. Si usted observa esto, utilice una varita o aire a presión para limpiar el canal.

ACTUACION DE LA GUARDA Y VISIBILIDAD

La guarda del disco de su sierra se ha diseñado para levantarse automáticamente cuando el brazo baja y para cubrir el disco cuando el brazo se eleva.

La guarda puede levantarse con la mano cuando se instalen o se quiten los discos o para inspeccionar la sierra. **NUNCA SUBA MANUALMENTE LA GUARDA A MENOS DE QUE LA SIERRA ESTE DESCONECTADA.**

NOTA: Ciertos cortes especiales requerirán que levante manualmente la guarda.

La sección frontal de la guarda está ranurada para tener visibilidad mientras corta. A pesar de que las ranuras reducen bastante la cantidad de serrín que sale despedida, son aberturas, y por lo tanto se requiere el uso de protectores oculares para mirar a través de las ranuras.

FRENO ELECTRICO AUTOMATICO (120 VOLTS)

Su sierra está equipada con un freno eléctrico que detiene la sierra cinco segundos después de soltar el interruptor de gatillo. Este es automático y no requiere ajustes.

De vez en cuando, bajo ciertas condiciones, el freno no funcionará correctamente y la sierra no se parará en los cinco segundos ya mencionados.

Si esto ocurre, encienda y apague la sierra 4 o 5 veces. Si el freno todavía no detiene el disco en cinco segundos, los carbones pueden estar desgastados. Reemplace los carbones como se describe más adelante y pruebe la sierra de nuevo. Si el problema persiste, lleve la sierra a un centro de servicio Black & Decker autorizado.

Asegúrese siempre de que el disco se haya detenido antes de

levantarlo del corte. El freno no es un sustituto para las guardas ni para garantizar su seguridad al atender completamente la sierra.

Carbones

DESCONECTE LA CLAVIJA DE LA TOMA DE CORRIENTE

Revise los carbones regularmente desconectando la herramienta, quitando la tapa de inspección (21) y sacando el montaje de los carbones. Conserve los carbones limpios y deslizándose con suavidad en sus guías. Siempre reemplace el carbón en la misma orientación que la que tenía anteriormente. Los carbones tienen varios símbolos dibujados a los lados, cuando el carbón está desgastado hasta la línea más cercana al muelle, debe de reemplazarse. Use solamente carbones BLACK & DECKER idénticos. Encontrará estos carbones en los centros de servicio BLACK & DECKER autorizados. La herramienta debe estar en marcha 10 minutos (sin carga) con los nuevos carbones antes de volver a usarse. El freno eléctrico puede funcionar de manera irregular hasta que los carbones se hayan asentado.

Mientras la herramienta está en marcha **NO ATE, PONGA CINTA, O ASEGURE EL INTERRUPTOR POR NINGUN MEDIO. OPRIMALO UNICAMENTE CON LA MANO.**

Operación

Conecte la sierra a cualquier alimentación de corriente de 120 volts a 60 Hz. Consulte el voltaje en la placa de identificación. Asegúrese de que el cable no interfiera con su trabajo.

INTERRUPTOR

Para encender la sierra, oprima el interruptor de gatillo (20) como se observa en la **Figura 10**. Para apagarla, suelte el botón. No se puede asegurar el botón interruptor, pero hay un orificio en el botón para poner un candado para cerrar con llave la sierra.

CORTES CON SU SIERRA

NOTA: Aunque esta sierra cortará madera y muchos materiales no

ferrosos, nos limitaremos solamente a corte de madera. Las mismas instrucciones se aplican a otros materiales. **NO CORTE MATERIALES FERROSOS (HIERRO Y ACERO) O MAMPOSTERIA CON ESTA SIERRA.** No emplee ningún disco abrasivo.

CORTES DE TRAVES

NOTA: No se recomienda el corte de múltiples piezas, pero puede hacerse de manera segura cuando cada una de las piezas esté fija contra la mesa y la guía.

Se realizan cortando la madera a través de la veta en cualquier ángulo. Un corte de través recto se hace con el brazo del inglete en la posición de cero grados. Coloque el brazo de inglete en cero, sujete la pieza de madera en la mesa y firmemente contra la guía. Encienda la sierra oprimiendo el interruptor de gatillo.

Cuando la sierra alcance la velocidad máxima (aproximadamente 1 segundo) baje el brazo lentamente para cortar a través de la madera. Deje que el disco se detenga por completo antes de levantar el brazo.

Los cortes de través de inglete se hacen con el brazo del inglete en un ángulo diferente a cero. Este ángulo es a menudo de 45 grados para hacer esquinas, pero puede ponerse entre cero y 47 grados derecho o izquierdo. Después de elegir el ángulo de inglete, no se olvide de apretar la perilla de fijación de inglete **(4)**. Haga el corte como se describió anteriormente.

CORTES DE BISEL

Un corte de bisel es un corte de través hecho con la sierra inclinada en relación con la madera. Para ajustar el ángulo de bisel, afloje la perilla de fijación de bisel **(10)** y mueva la sierra cuanto desee hacia la izquierda. (Puede ser necesario mover la guía del lado izquierdo para hacer espacio). Una vez que haya ajustado el ángulo deseado, apriete con firmeza la perilla de ángulo de bisel.

Los ángulos de bisel pueden ajustarse desde 2 grados a la derecha

Si tiene cualquier pregunta, llame al (55) 5326-7100

hasta 47 grados a la izquierda y pueden hacerse con el brazo de inglete colocado entre 0 y 47 grados a izquierda o derecha.

CALIDAD DEL CORTE

La lisura de cualquier corte depende de diferentes variables.

Cuestiones como el material a cortar, tipo de disco, afilado de disco, paso de corte, todos contribuyen a la calidad de corte.

Cuando se desea hacer los cortes más lisos para molduras y otros trabajos de precisión, un disco afilado (60 dientes de carburo) y un paso más lento de corte producirán los resultados deseados.

Asegúrese que el material no se mueva mientras se corta, prénselo en su lugar. Siempre deje que el disco se pare antes de levantar el brazo.

Si la madera se astilla en la parte trasera del trabajo, ponga una tira de cinta para enmascarillar en el sitio donde se va a cortar. Corte a través de la cinta y cuando termine levante cuidadosamente la cinta.

POSICION DE CUERPO Y MANOS (VEASE FIGURA 11)

La correcta posición de su cuerpo y manos cuando utilice la sierra hará el corte más fácil, más preciso, y más seguro. Nunca ponga sus manos en la zona de corte. No coloque las manos más cerca de 152 mm (6") del disco. Apoye la pieza firmemente contra la mesa y la guía cuando corte. Conserve las manos en posición hasta que haya soltado el interruptor y el disco se haya detenido por completo.

SIEMPRE HAGA UNA CORRIDA DE PRUEBA (SIN CONECTAR) ANTES DE HACER LOS CORTES, DE MANERA QUE PUEDA REVISAR EL CAMINO DEL DISCO. NO CRUCE LAS MANOS, COMO SE MUESTRA EN LA FIGURA 11.

Conserve ambos pies firmes en el suelo para mantener el equilibrio. Al mover el brazo de inglete a la derecha y izquierda sígalo y párese ligeramente al lado del disco. Mire a través de las ranuras cuando siga una línea de corte trazada con lápiz.

SUJECION DE LA PIEZA DE TRABAJO

Apague y desconecte la sierra

PRENSE LA MADERA A LA SIERRA SIEMPRE QUE SEA POSIBLE.

Puede sujetar a cualquier lado del disco y recuerde poner la pieza contra una superficie sólida y plana de la guía. Para mejores resultados use una prensa hecha para usarse con su sierra..

Cuando corte piezas pequeñas que requieran que su mano se acerque peligrosamente al disco (menos de 15 cm), **DEBE** usar una prensa para evitar la pérdida de control. La guía izquierda puede ajustarse para ayudar a prensar.

SOPORTE PARA PIEZAS LARGAS

Apague y desconecte la sierra

Si no puede asegurar la pieza de trabajo sobre la mesa y contra la guía con la mano (piezas con forma irregular, etc.) o su mano quedará a menos de 15 cm del disco, deberá utilizar una prensa o algún otro medio de sujeción. Algunas piezas como las prensas de resorte, o las prensas C pueden ser apropiadas para ciertos tamaños y formas de piezas de trabajo. Tenga cuidado al seleccionar y colocar estas prensas y haga una pasada en seco antes de realizar el corte.

La guía izquierda puede ajustarse para ayudarse a prensar.

CORTE DE MARCOS, CAJAS, Y OTROS PROYECTOS DE CUATRO LADOS

Para entender mejor como realizar los objetos que mencionamos, sugerimos que haga varios proyectos simples usando restos de madera hasta que llegue a "CONOCER" su sierra.

Su sierra es la herramienta perfecta para ingletear esquinas como las que se observan en la **Figura 12**. El dibujo A de la **Figura 12** muestra un ensamble hecho con el brazo de inglete a 45 grados para que las dos piezas formen una esquina de 90 grados. Para hacer este tipo de unión ponga el ajuste de inglete a 45 grados. De nuevo, coloque la madera con la parte ancha contra la mesa y el borde angosto contra la guía. El corte también puede hacerse ingleteando hacia derecha e izquierda con la superficie ancha contra la guía.

CORTE DE MOLDURAS Y OTROS MARCOS

El dibujo B de la **Figura 12** muestra un ensamble hecho ajustando el brazo de inglete a 45 grados para cortar las dos superficies para formar un ángulo de 90 grados. Para hacer este tipo de unión, ajuste el ángulo de bisel a 0 y el brazo de inglete a 45 grados. Una vez más, coloque la madera con el lado ancho en la mesa y el lado angosto contra la guía.

Los dos dibujos de la **Figura 12** son para objetos de cuatro lados únicamente.

Cuando el número de lados cambia, cambian los ángulos de inglete. La lista que aparece a continuación proporciona los ángulos correctos para diversas formas.

(La lista asume que todos los lados son del mismo tamaño). Para figuras que no se incluyan en la lista, use la siguiente fórmula: 180 grados divididos entre el número de lados da, como resultado, el ángulo de inglete.

– EJEMPLOS –

NUMERO DE LADOS	ANGULO DE INGLETE O BISEL
4	45°
5	36°
6	30°
7	25.7°
8	22.5°
9	20°
10	18°

CORTE DE INGLETE COMPUESTO

Un inglete compuesto es un corte hecho con un ángulo de inglete determinado y un ángulo de bisel al mismo tiempo. Este es el tipo de corte que se utiliza para hacer marcos o cajas con lados inclinados como la que se observa en la **Figura 13**.

NOTA: Si el ángulo de corte varía entre una operación y otra, revise

que la perilla de fijación de bisel (10) y la perilla de inglete (4) estén bien apretadas. Estas perillas deben apretarse después de hacer cualquier cambio de ángulos.

CORTE DE MOLDURAS DE REMATE

Para poder ensamblarse bien, las molduras deben cortarse a inglete con gran precisión.

Las dos superficies planas en una pieza determinada están en ángulos que, al sumarse, dan por resultado 90°. La mayoría, pero no todas, tiene un ángulo superior en la parte trasera (la sección de ajuste con el techo) de 52 grados y un ángulo inferior en la parte trasera (la parte que ajusta contra la pared) de 38 grados.

¡ES MUY IMPORTANTE HACER PRUEBAS CON MATERIAL DE DESPERDICIO!

INSTRUCCIONES PARA CORTE DE MOLDURAS DE REMATE COLOCADAS EN PLANO Y USANDO LAS CARACTERÍSTICAS DE CORTE COMPUESTO:

1. La moldura debe quedar con la superficie ancha plana sobre la mesa.
2. Los ajustes que se presentan a continuación son para las molduras de remate estándar (E.U.A.) con ángulos de 52° y 38°.

AJUSTE DE BISEL	TIPO DE CORTE
	LADO IZQUIERDO, ESQUINA INTERIOR
33.85°	<ol style="list-style-type: none"> 1. La punta de la moldura contra la guía 2. La mesa de inglete colocada a la derecha a 31.62° 3. Conserve el lado izquierdo del corte
	LADO DERECHO, ESQUINA INTERIOR
33.85°	<ol style="list-style-type: none"> 1. Parte inferior de la moldura contra la guía 2. La mesa de inglete colocada a la izquierda a 31.62° 3. Conserve el lado izquierdo del corte
	LADO IZQUIERDO, ESQUINA EXTERIOR
33.85°	<ol style="list-style-type: none"> 1. Parte inferior de la moldura contra la guía

Si tiene cualquier pregunta, llame al (55) 5326-7100

44

2. La mesa de inglete colocada a la izquierda a 31.62°

3. Conserve el lado derecho del corte

LADO IZQUIERDO, ESQUINA EXTERIOR

- 33.85° 1. La punta de la moldura contra la guía
2. La mesa de inglete colocada a la derecha a 31.62°
3. Conserve el lado derecho del corte

Cuando ajuste los ángulos de inglete y de bisel recuerde que:

Los ángulos presentados para corte de molduras de remate son muy precisos y difíciles de establecer con exactitud. Ya que pueden variar con facilidad y muy pocas habitaciones tienen aristas a escuadra, todos los ajustes deberán probarse en madera de desperdicio.

¡ES MUY IMPORTANTE HACER PRUEBAS CON MATERIAL DE DESPERDICIO!

CORTES ESPECIALES

NUNCA HAGA NINGUN CORTE SIN SUJETAR FIRMEMENTE EL MATERIAL

CORTE DE ALUMINIO:

Los extruídos de aluminio como los que se utilizan para hacer pantallas y ventanas pueden ser fácilmente cortados con su sierra. Coloque el material para que pueda cortar la parte más fina de la sección transversal como muestra la **Figura 14**. La **Figura 15** ilustra la forma incorrecta de cortar estos perfiles. Utilice un lubricante de cera cuando corte aluminio. Aplique la barra de cera directamente al disco antes de cortar. Nunca aplique la barra de cera a un disco en funcionamiento.

La cera, que se puede conseguir en la mayoría de las ferreterías, ofrece la lubricación apropiada y evita que las rebabas se adhieran al disco.

MATERIAL ARQUEADO:

Cuando corte material arqueado, colóquelo como muestra la **Figura 16** y nunca como muestra la **Figura 17**. Colocar el material de manera incorrecta atascará el disco casi al final del corte.

CORTE DE TUBERIA DE PLÁSTICO:

La tubería de plástico puede ser fácilmente cortada con su sierra. Deberá de cortarse como madera y **SUJETARSE FIRMEMENTE A LA GUIA PARA EVITAR QUE SE DESLICE.**

Mantenimiento

1. Todos los rodamientos son baleros de bolas sellados. Están lubricados de por vida y no necesitan mantenimiento.
2. Limpie periódicamente todo el polvo y astillas de alrededor Y **DEBAJO** de la base y de la mesa giratoria. A pesar de que hay aberturas para que el polvo pase, algo se acumulará.
3. Los carbones están diseñados para varios años de uso. Si alguna vez necesitan reemplazarse, siga las instrucciones de este manual o llévela a un centro de servicio para reparación.

Importante

Para asegurar la confiabilidad y durabilidad de este producto, reparaciones, mantenimiento, y ajustes (inclusive inspección y cambio de carbones) deben ser realizados por un centro de servicio autorizado u otras organizaciones de servicio calificadas que utilicen siempre refacciones idénticas.

ACCESORIOS

⚠ PRECAUCION: El empleo de cualquier accesorio no recomendado para usarse con esta herramienta puede ser peligroso

Guía para la solución de problemas frecuentes

ASEGURESE DE SEGUIR LAS REGLAS DE SEGURIDAD Y LAS INSTRUCCIONES

¡PROBLEMA! LA SIERRA NO ARRANCA

¿QUE ESTA MAL?

QUE HACER...

1. La sierra no está conectada
2. Hay un fusible quemado o el interruptor automático está abierto
3. El cable está dañado
4. Los carbones se desgastaron

**¡PROBLEMA! LA SIERRA HACE CORTES NO SATISFACTORIOS
¿QUE ESTA MAL?**

1. El disco no tiene filo
2. El disco esta montado al revés
3. El disco está sucio

4. Se está utilizando un disco incorrecto para el trabajo

¡PROBLEMA! EL DISCO NO LLEGA A LA VELOCIDAD DE TRABAJO

¿QUE ESTA MAL?

1. El cable de extensión es muy o muy largo
2. El voltaje está bajo

**¡PROBLEMA! LA MAQUINA VIBRA EXCESIVAMENTE
¿QUE ESTA MAL?**

1. La sierra no está correctamente asegurada a la mesa de trabajo o al banco.
2. La mesa o el banco están en una superficie irregular
3. El disco de la sierra está dañado

1. Conecte la sierra
2. Reemplace el fusible o cierre el interruptor automático
3. Reemplace el cable en su centro de servicio autorizado
4. Reemplace Los carbones en su centro de servicio autorizado.

QUE HACER...

1. Reemplace el disco.
2. Voltee al revés el disco.
3. Quite el disco y límpielo con aguarrás y un paño o con limpia hornos.
4. Cambie el disco.

QUE HACER...

1. Reemplácelo con la delgado extensión adecuada.
2. Comuníquese con la compañía eléctrica.

QUE HACER...

1. Apriete Los herrajes de montaje.
2. Reposicione en una superficie regular.
3. Cambie el disco.

¡PROBLEMA! NO HACE INGLETES PRECISOS

¿QUE ESTA MAL?

1. La escala de ángulos no está ajustada correctamente

QUE HACER...

1. Verifique y ajuste.

2. El disco no está a escuadra con la guía

2. Verifique y ajuste.

3. El disco no está perpendicular a la mesa

3. Verifique y ajuste la guía

4. La pieza de trabajo se mueve

4. Sujete la pieza de trabajo a la guía o péguela lija de grado 120 con cemento de goma.

¡PROBLEMA! EL MATERIAL ESTRANGULA EL DISCO

¿QUE ESTA MAL?

1. Está cortando material arqueado

QUE HACER...

1. Coloque el material arqueado como se indica en la Figura 16.

⚠ **PRECAUCIÓN:** El empleo de cualquier accesorio no recomendado como juegos para corte de canales, cortadores de molduras, o discos abrasivos puede ser peligroso.

INFORMACION RESPECTO EL SERVICIO

Black & Decker ofrece una red de centros de servicio propios y agentes autorizados a través de Norte América. Todos los centros de servicio Black & Decker cuentan con personal capacitado para ofrecer servicio al cliente. Sea para necesidad de asistencia técnica o repuestos auténticos de fabrica, contacte a la oficina más cercana de Black & Decker. Para ubicar el centro más cercano busque en las pagina amarillas bajo "Herramientas Eléctricas" o llame al **(55) 5326-7100**.

GARANTIA PARA USO DOMÉSTICO POR DOS AÑOS COMPLETOS

Black & Decker (U.S.) garantiza este producto por dos años

Si tiene cualquier pregunta, llame al **(55) 5326-7100**

completos contra cualquier falla originada por materiales o mano de obra defectuosos. El producto defectuoso será reemplazado o reparado sin cargo alguno en cualquiera de las siguientes dos maneras:

La primera, que resulta únicamente en cambios, es regresar el producto al vendedor al que se compró (en la suposición que es un distribuidor participante). Las devoluciones deberán hacerse dentro del tiempo estipulado por la política de cambios del distribuidor (usualmente de 30 a 90 días después de la venta). Se puede requerir prueba de compra. Por favor verifique con el vendedor las políticas específicas de devolución relacionadas a las devoluciones en tiempo posterior al estipulado para cambios.

La segunda opción es llevar o enviar el producto (con porte pagado) a los centros de servicio Black & Decker propios o autorizados, para que la reparemos o reemplacemos a nuestra opción. Se puede requerir prueba de compra. Los centros de servicio Black & Decker propios y autorizados están enlistados bajo "Herramientas eléctricas" en la sección amarilla del directorio telefónico.

Esta garantía no se aplica a los accesorios. Esta garantía le otorga derechos legales específicos, y usted puede tener otros que varíen de estado a estado. Si tiene usted cualquier pregunta, comuníquese con el gerente del centro de servicio Black & Decker más cercano.

Este producto no está destinado a uso comercial.

Sustitución gratuita de las etiquetas de advertencia:

Si sus etiquetas de advertencia se vuelven ilegibles o se pierden, llame al **1-800-544-6986** para conseguir repuestos gratuitos.

Nota especial de GARANTÍA para Contratistas:

Los productos de marca FIRESTORM^{MC} se ofrecen como herramientas de calidad superior para uso doméstico y llevan una GARANTÍA PARA USO DOMÉSTICO.

Estas herramientas son diseñadas, fabricadas y probadas para satisfacer o sobrepasar las necesidades del bricolero en la ejecución de proyectos y reparaciones en su casa y sus alrededores. El uso apropiado de esta herramienta le dará al dueño de casa una potencia y un desempeño superiores que durarán mucho más que la garantía de dos años. Sin embargo, si utiliza herramientas para su trabajo y usa productos de marca

FIRESTORM^{MC} o cualquiera de las herramientas para uso doméstico Black & Decker EN SU LUGAR DE TRABAJO, debería saber que NO PODRÁ SER CUBIERTO BAJO NUESTRA GARANTÍA.

Para reparación y servicio de sus herramientas eléctricas, favor de dirigirse al Centro de Servicio más cercano:

CULIACAN, SIN

Av. Nicolás Bravo #1063 Sur
(667) 7 12 42 11
Col. Industrial Bravo

GUADALAJARA, JAL

Av. La Paz #1779
(33) 3825 6978
Col. Americana Sector Juárez

MEXICO, D.F.

Eje Central Lázaro Cardenas
No. 18
(55) 5588 9377
Local D, Col. Obrera

MERIDA, YUC

Calle 63 #459-A
(999) 928 5038
Col. Centro

MONTERREY, N.L.

Av. Francisco I. Madero
No.831
(81) 8375 2313
Col. Centro

PUEBLA, PUE

17 Norte #205
(222) 246 3714
Col. Centro

QUERETARO, QRO

Av. Madero 139 Pte.
(442) 214 1660
Col. Centro

SAN LUIS POTOSI, SLP

Av. Universidad 1525
(444) 814 2383
Col. San Luis

TORREON, COAH

Bld. Independencia, 96 Pte.
(871) 716 5265
Col. Centro

VERACRUZ, VER

Prolongación Díaz Mirón #4280
(229)921 7016
Col. Remes

VILLAHERMOSA, TAB

Constitución 516-A
(993) 312 5111
Col. Centro

ESPECIFICACIONES

120V~ 1674W 60Hz 15A

IMPORTADO: BLACK & DECKER S.A. DE C.V.
BOSQUES DE CIDROS ACCESO RADIATAS NO. 42
COL. BOSQUES DE LAS LOMAS.
05120 MÉXICO, D.F.
TEL. (55) 5326-7100

Para servicio y ventas consulte
"HERRAMIENTAS ELECTRICAS"
en la sección amarilla.



PARA OTRAS LOCALIDADES LLAME AL: (55) 5326 7100

Cat.No. FS1500CMS

Form No. 629437-00

FEB. '05

Copyright© 2005 Black & Decker

Printed in China

Free Manuals Download Website

<http://myh66.com>

<http://usermanuals.us>

<http://www.somanuals.com>

<http://www.4manuals.cc>

<http://www.manual-lib.com>

<http://www.404manual.com>

<http://www.luxmanual.com>

<http://aubethermostatmanual.com>

Golf course search by state

<http://golfingnear.com>

Email search by domain

<http://emailbydomain.com>

Auto manuals search

<http://auto.somanuals.com>

TV manuals search

<http://tv.somanuals.com>