



## BDTS100 10" (254MM) TABLE SAW

### INSTRUCTION MANUAL



THANK YOU FOR CHOOSING BLACK & DECKER!  
GO TO [WWW.BLACKANDDECKER.COM/NEWOWNER](http://WWW.BLACKANDDECKER.COM/NEWOWNER)  
TO REGISTER YOUR NEW PRODUCT.

BEFORE RETURNING THIS PRODUCT  
FOR ANY REASON PLEASE CALL  
**1-800-544-6986**

BEFORE YOU CALL, HAVE THE CATALOG No. AND DATE CODE AVAILABLE. IN MOST CASES, A  
BLACK & DECKER REPRESENTATIVE CAN RESOLVE THE PROBLEM OVER THE PHONE. IF YOU HAVE A SUGGESTION OR COMMENT, GIVE US A  
CALL. YOUR FEEDBACK IS VITAL TO BLACK & DECKER.

SAVE THIS MANUAL FOR FUTURE REFERENCE.  
VEA EL ESPAÑOL EN LA CONTRAPORTADA.  
POUR LE FRANÇAIS, VOIR LA COUVERTURE ARRIÈRE.  
INSTRUCTIVO DE OPERACIÓN, CENTROS DE SERVICIO Y  
POLIZA DE GARANTÍA. **ADVERTENCIA:** LEÁSE ESTE  
INSTRUCTIVO ANTES DE USAR EL PRODUCTO.

# TABLE OF CONTENTS

IMPORTANT SAFETY INSTRUCTIONS .....	2
SAFETY GUIDELINES .....	3
GENERAL SAFETY RULES .....	4
ADDITIONAL SPECIFIC SAFETY RULES .....	5
FUNCTIONAL DESCRIPTION .....	7
CARTON CONTENTS .....	7
ASSEMBLY .....	9
OPERATION .....	15
ACCESSORIES .....	21
MAINTENANCE .....	25
TROUBLESHOOTING .....	25
SERVICE .....	25
WARRANTY .....	25

## IMPORTANT SAFETY INSTRUCTIONS

**▲WARNING** Read and understand all warnings and operating instructions before using any tool or equipment. When using tools or equipment, basic safety precautions should always be followed to reduce the risk of personal injury. Improper operation, maintenance or modification of tools or equipment could result in serious injury and property damage. There are certain applications for which tools and equipment are designed. Black & Decker strongly recommends that this product NOT be modified and/or used for any application other than for which it was designed.

## SAFETY GUIDELINES - DEFINITIONS

It is important for you to read and understand this manual. The information it contains relates to protecting YOUR SAFETY and PREVENTING PROBLEMS. The symbols below are used to help you recognize this information.



- ▲DANGER** Indicates an imminently hazardous situation which, if not avoided, will result in death or serious injury.
- ▲WARNING** Indicates a potentially hazardous situation which, if not avoided, could result in death or serious injury.
- ▲CAUTION** Indicates a potentially hazardous situation which, if not avoided, may result in minor or moderate injury.
- CAUTION** Used without the safety alert symbol indicates potentially hazardous situation which, if not avoided, may result in property damage.

**SAVE THESE INSTRUCTIONS!**

---

## CALIFORNIA PROPOSITION 65

- ▲ WARNING** **Some dust created by power sanding, sawing, grinding, drilling, and other construction activities contains chemicals known to cause cancer, birth defects or other reproductive harm.** Some examples of these chemicals are:
- lead from lead-based paints,
  - crystalline silica from bricks and cement and other masonry products, and
  - arsenic and chromium from chemically-treated lumber (CCA).

Your risk from these exposures varies, depending on how often you do this type of work. To reduce your exposure to these chemicals: work in a well ventilated area, and work with approved safety equipment, such as those dust masks that are specially designed to filter out microscopic particles.

- Avoid prolonged contact with dust from power sanding, sawing, grinding, drilling, and other construction activities. Wear protective clothing and wash exposed areas with soap and water. Allowing dust to get into your mouth, eyes, or lay on the skin may promote absorption of harmful chemicals.

- ▲ WARNING** **Use of this tool can generate and/or disperse dust, which may cause serious and permanent respiratory or other injury.** Always use NIOSH/OSHA approved respiratory protection appropriate for the dust exposure. Direct particles away from face and body.

- ▲ CAUTION** **Wear appropriate hearing protection during use.** Under some conditions and duration of use, noise from this product may contribute to hearing loss.

# GENERAL SAFETY RULES



## ⚠️ WARNING

**READ AND UNDERSTAND ALL WARNINGS AND OPERATING INSTRUCTIONS BEFORE USING THIS EQUIPMENT.** Failure to follow all instructions listed below, may result in electric shock, fire, and/or serious personal injury or property damage.

## IMPORTANT SAFETY INSTRUCTIONS

- FOR YOUR OWN SAFETY, READ THE INSTRUCTION MANUAL BEFORE OPERATING THE MACHINE.**  
Learning the machine's application, limitations, and specific hazards will greatly minimize the possibility of accidents and injury.
- WEAR EYE AND HEARING PROTECTION. ALWAYS USE SAFETY GLASSES.** Everyday eyeglasses are NOT safety glasses. USE CERTIFIED SAFETY EQUIPMENT. Eye protection equipment should comply with ANSI Z87.1 standards. Hearing equipment should comply with ANSI S3.19 standards.
- WEAR PROPER APPAREL.** Do not wear loose clothing, gloves, neckties, rings, bracelets, or other jewelry which may get caught in moving parts. Nonslip footwear is recommended. Wear protective hair covering to contain long hair.
- DO NOT USE THE MACHINE IN A DANGEROUS ENVIRONMENT.** The use of power tools in damp or wet locations or in rain can cause shock or electrocution. Keep your work area well-lit to prevent tripping or placing arms, hands, and fingers in danger.
- MAINTAIN ALL TOOLS AND MACHINES IN PEAK CONDITION.** Keep tools sharp and clean for best and safest performance. Follow instructions for lubricating and changing accessories. Poorly maintained tools and machines can further damage the tool or machine and/or cause injury.
- CHECK FOR DAMAGED PARTS.** Before using the machine, check for any damaged parts. Check for alignment of moving parts, binding of moving parts, breakage of parts, and any other conditions that may affect its operation. A guard or any other part that is damaged **should be properly repaired or replaced.** Damaged parts can cause further damage to the machine and/or injury.
- KEEP THE WORK AREA CLEAN.** Cluttered areas and benches invite accidents.
- KEEP CHILDREN AND VISITORS AWAY.** Your shop is a potentially dangerous environment. Children and visitors can be injured.
- REDUCE THE RISK OF UNINTENTIONAL STARTING.** Make sure that the switch is in the "OFF" position before plugging in the power cord. In the event of a power failure, move the switch to the "OFF" position. An accidental start-up can cause injury.
- USE THE GUARDS.** Check to see that all guards are in place, secured, and working correctly to reduce the risk of injury.
- REMOVE ADJUSTING KEYS AND WRENCHES BEFORE STARTING THE MACHINE.** Tools, scrap pieces, and other debris can be thrown at high speed, causing injury.
- USE THE RIGHT MACHINE.** Don't force a machine or an attachment to do a job for which it was not designed. Damage to the machine and/or injury may result.
- USE RECOMMENDED ACCESSORIES.** The use of accessories and attachments not recommended by Black & Decker may cause damage to the machine or injury to the user.
- USE THE PROPER EXTENSION CORD.** Make sure your extension cord is in good condition. When using an extension cord, be sure to use one heavy enough to carry the current your product will draw. An undersized cord will cause a drop in line voltage, resulting in loss of power and overheating. See the Extension Cord Chart for the correct size depending on the cord length and nameplate ampere rating. If in doubt, use the next heavier gauge. The smaller the gauge number, the heavier the cord.
- SECURE THE WORKPIECE.** Use clamps or a vise to hold the workpiece when practical. Loss of control of a workpiece can cause injury.
- FEED THE WORKPIECE AGAINST THE DIRECTION OF THE ROTATION OF THE BLADE, CUTTER, OR ABRASIVE SURFACE.** Feeding it from the other direction will cause the workpiece to be thrown out at high speed.
- DON'T FORCE THE WORKPIECE ON THE MACHINE.** Damage to the machine and/or injury may result.
- DON'T OVERREACH.** Loss of balance can make you fall into a working machine, causing injury.
- NEVER STAND ON THE MACHINE.** Injury could occur if the tool tips, or if you accidentally contact the cutting tool.
- NEVER LEAVE THE MACHINE RUNNING UNATTENDED. TURN THE POWER OFF.** Don't leave the machine until it comes to a complete stop. A child or visitor could be injured.
- TURN THE MACHINE "OFF", AND DISCONNECT THE MACHINE FROM THE POWER SOURCE** before installing or removing accessories, before adjusting or changing set-ups, or when making repairs. An accidental start-up can cause injury.
- MAKE YOUR WORKSHOP CHILDPROOF WITH PADLOCKS, MASTER SWITCHES, OR BY REMOVING STARTER KEYS.** The accidental start-up of a machine by a child or visitor could cause injury.
- STAY ALERT, WATCH WHAT YOU ARE DOING, AND USE COMMON SENSE. DO NOT USE THE MACHINE WHEN YOU ARE TIRED OR UNDER THE INFLUENCE OF DRUGS, ALCOHOL, OR MEDICATION.** A moment of inattention while operating power tools may result in injury.
- ⚠️ WARNING USE OF THIS TOOL CAN GENERATE AND DISBURSE DUST OR OTHER AIRBORNE PARTICLES, INCLUDING WOOD DUST, CRYSTALLINE SILICA DUST AND ASBESTOS DUST.** Direct particles away from face and body. Always operate tool in well ventilated area and provide for proper dust removal. Use dust collection system wherever possible. Exposure to the dust may cause serious and permanent respiratory or other injury, including silicosis (a serious lung disease), cancer, and death. Avoid breathing the dust, and avoid prolonged contact with dust. Allowing dust to get into your mouth or eyes, or lay on your skin may promote absorption of harmful material. Always use properly fitting NIOSH/OSHA approved respiratory protection appropriate for the dust exposure, and wash exposed

# ADDITIONAL SAFETY RULES FOR TABLE SAWS



**FAILURE TO FOLLOW THESE RULES MAY RESULT IN SERIOUS INJURY.**

- DO NOT OPERATE THIS MACHINE** until it is **assembled** and **installed** according to the instructions.
- OBTAIN ADVICE FROM another qualified person** if you are not familiar with the operation of this machine.
- FOLLOW ALL WIRING CODES** and recommended electrical connections.
- USE THE GUARDS WHENEVER POSSIBLE.** Check to see that they are in place, secured, and working correctly.
- KICKBACK IS THE NATURAL TENDENCY OF THE WORKPIECE TO BE THROWN BACK AT THE OPERATOR** when the workpiece initially contacts the blade or if the workpiece pinches the blade. Kickback is dangerous and can result in serious injury.  
**AVOID KICKBACK by:**
  - keeping blade sharp and free of rust and pitch.
  - keeping rip fence parallel to the saw blade.
  - using saw blade guard and spreader for every possible operation, including all through sawing.
  - pushing the workpiece past the saw blade prior to release.
  - never ripping a workpiece that is twisted or warped, or does not have a straight edge to guide along the fence.
  - using featherboards when the anti-kickback device cannot be used.
  - never sawing a large workpiece that cannot be controlled.
  - never using the fence as a guide when crosscutting.
  - never sawing a workpiece with loose knots or other flaws.
- ALWAYS USE GUARDS, SPLITTER, AND ANTI-KICKBACK FINGERS** whenever possible.
- REMOVE CUT-OFF PIECES AND SCRAPS** from the table before starting the saw. The vibration of the machine may cause them to move into the saw blade and be thrown out. After cutting, turn the machine off. After the blade has **come to a complete stop, remove all debris.**
- NEVER START THE MACHINE** with the workpiece against the blade.
- NEVER** run the workpiece between the fence and a moulding cutterhead.
- CUTTING THE WORKPIECE WITHOUT THE USE OF A FENCE OR MITER GAUGE IS KNOWN AS "FREEHAND" CUTTING. NEVER** perform "free-hand" operations. Use either the fence or miter gauge to position and guide the workpiece.
- HOLD THE WORKPIECE FIRMLY** against the miter gauge or fence.
- CUTTING COMPLETELY THROUGH THE WORKPIECE IS KNOWN AS "THROUGH-SAWING".** Ripping and cross-cutting are through-sawing operations. Cutting with the grain (or down the length of the workpiece) is ripping. Cutting across the grain (or across the workpiece) is cross-cutting. Use a fence or fence system for ripping. **DO NOT** use a fence or fence system for cross-cutting. Instead, use a miter gauge. **USE PUSH STICK(S)** for ripping a narrow workpiece.
- AVOID AWKWARD OPERATIONS AND HAND POSITIONS** where a sudden slip could cause a hand to move into the blade.
- KEEP ARMS, HANDS, AND FINGERS** away from the blade.
- NEVER** have any part of your body in line with the path of the saw blade.
- NEVER REACH AROUND** or over the saw blade.
- NEVER** attempt to free a stalled saw blade without first turning the machine "OFF".
- PROPERLY SUPPORT LONG OR WIDE** workpieces.
- NEVER PERFORM LAYOUT,** assembly or set-up work on the table/work area when the machine is running.
- TURN THE MACHINE "OFF" AND DISCONNECT THE MACHINE** from the power source before installing or removing accessories, before adjusting or changing set-ups, or when making repairs.
- TURN THE MACHINE "OFF",** disconnect the machine from the power source, and clean the table/work area before leaving the machine. **LOCK THE SWITCH IN THE "OFF" POSITION** to prevent unauthorized use.
- ADDITIONAL INFORMATION** regarding the safe and proper operation of power tools (i.e. a safety video) is available from the Power Tool Institute, 1300 Sumner Avenue, Cleveland, OH 44115-2851 ([www.powertoolinstitute.com](http://www.powertoolinstitute.com)). Information is also available from the National Safety Council, 1121 Spring Lake Drive, Itasca, IL 60143-3201. Please refer to the American National Standards Institute ANSI 01.1 Safety Requirements for Woodworking Machines and the U.S. Department of Labor OSHA 1910.213 Regulations.

**SAVE THESE INSTRUCTIONS.  
Refer to them often  
and use them to instruct others.**

## POWER CONNECTIONS

A separate electrical circuit should be used for your machines. This circuit should not be less than #12 wire and should be protected with a 20 Amp time lag fuse. If an extension cord is used, use only 3-wire extension cords which have 3-prong grounding type plugs and matching receptacle which will accept the machine's plug. Before connecting the machine to the power line, make sure the switch (s) is in the "OFF" position and be sure that the electric current is of the same characteristics as indicated on the machine. All line connections should make good contact. Running on low voltage will damage the machine.

**⚠ DANGER** DO NOT EXPOSE THE MACHINE TO RAIN OR OPERATE THE MACHINE IN DAMP LOCATIONS.

## MOTOR SPECIFICATIONS

Your machine is wired for 120 volt, 60 HZ alternating current. Before connecting the machine to the power source, make sure the switch is in the "OFF" position.

## GROUNDING INSTRUCTIONS

**⚠ DANGER** THIS MACHINE MUST BE GROUNDED WHILE IN USE TO PROTECT THE OPERATOR FROM ELECTRIC SHOCK.

### 1. All grounded, cord-connected machines:

In the event of a malfunction or breakdown, grounding provides a path of least resistance for electric current to reduce the risk of electric shock. This machine is equipped with an electric cord having an equipment-grounding conductor and a grounding plug. The plug must be plugged into a matching outlet that is properly installed and grounded in accordance with all local codes and ordinances.

Do not modify the plug provided - if it will not fit the outlet, have the proper outlet installed by a qualified electrician.

Improper connection of the equipment-grounding conductor can result in risk of electric shock. The conductor with insulation having an outer surface that is green with or without yellow stripes is the equipment-grounding conductor. If repair or replacement of the electric cord or plug is necessary, do not connect the equipment-grounding conductor to a live terminal.

Check with a qualified electrician or service personnel if the grounding instructions are not completely understood, or if in doubt as to whether the machine is properly grounded.

Use only 3-wire extension cords that have 3-prong grounding type plugs and matching 3-conductor receptacles that accept the machine's plug, as shown in Fig. A.

Repair or replace damaged or worn cord immediately.

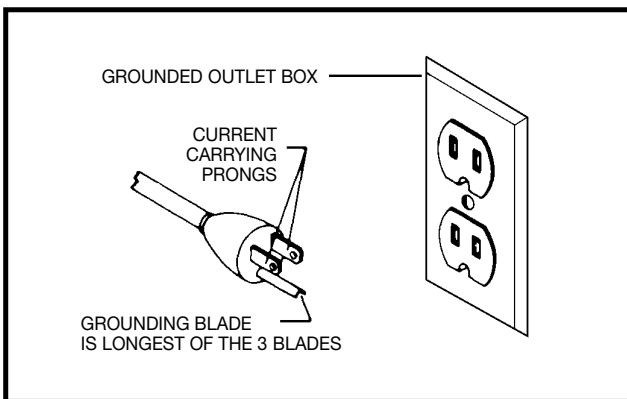


Fig. A

### 2. Grounded, cord-connected machines intended for use on a supply circuit having a nominal rating less than 150 volts:

If the machine is intended for use on a circuit that has an outlet that looks like the one illustrated in Fig. A, the machine will have a grounding plug that looks like the plug illustrated in Fig. A. A temporary adapter, which looks like the adapter illustrated in Fig. B, may be used to connect this plug to a matching 2-conductor receptacle as shown in Fig. B if a properly grounded outlet is not available. The temporary adapter should be used only until a properly grounded outlet can be installed by a qualified electrician. The green-colored rigid ear, lug, and the like, extending from the adapter must be connected to a permanent ground such as a properly grounded outlet box. Whenever the adapter is used, it must be held in place with a metal screw.

**NOTE: In Canada, the use of a temporary adapter is not permitted by the Canadian Electric Code.**

WRITER NOTE: IF 150- 250V INSERT UL987 RULE 72.1.1.A.3 AS NOTE 3 & FIG. C. SEE TEXT ON PAGE 6 BELOW.

WRITER NOTE: IF PERMANENTLY CONNECTED INSERT UL987 RULE 72.1.1.A.4. AS NOTE 4. SEE TEXT ON PAGE 6 BELOW.

**⚠ DANGER** IN ALL CASES, MAKE CERTAIN THE RECEPTACLE IN QUESTION IS PROPERLY GROUNDED. IF YOU ARE NOT SURE HAVE A QUALIFIED ELECTRICIAN CHECK THE RECEPTACLE.

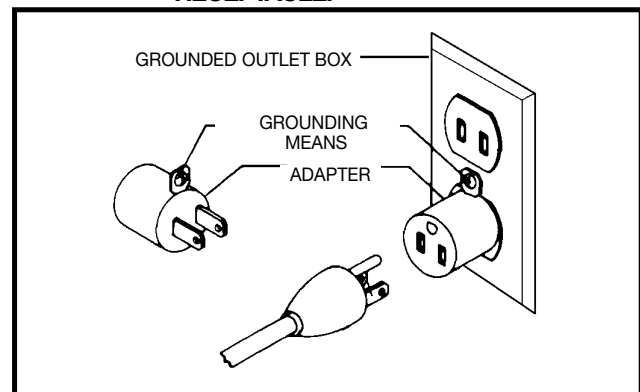


Fig. B

## EXTENSION CORDS

**⚠ WARNING** Use proper extension cords. Make sure your extension cord is in good condition and is a 3-wire extension cord which has a 3-prong grounding type plug and matching receptacle which will accept the machine's plug. When using an extension cord, be sure to use one heavy enough to carry the current of the machine. An undersized cord will cause a drop in line voltage, resulting in loss of power and overheating. Fig. D-1, shows the correct gauge to use depending on the cord length. If in doubt, use the next heavier gauge. The smaller the gauge number, the heavier the cord.

<b>MINIMUM GAUGE EXTENSION CORD</b>			
RECOMMENDED SIZES FOR USE WITH STATIONARY ELECTRIC MACHINES			
Ampere Rating	Volts	Total Length of Cord in Feet	Gauge of Extension Cord
0-6	120	up to 25	18 AWG
0-6	120	25-50	16 AWG
0-6	120	50-100	16 AWG
0-6	120	100-150	14 AWG
6-10	120	up to 25	18 AWG
6-10	120	25-50	16 AWG
6-10	120	50-100	14 AWG
6-10	120	100-150	12 AWG
10-12	120	up to 25	16 AWG
10-12	120	25-50	16 AWG
10-12	120	50-100	14 AWG
10-12	120	100-150	12 AWG
12-16	120	up to 25	14 AWG
12-16	120	25-50	12 AWG
12-16	120	GREATER THAN 50 FEET NOT RECOMMENDED	

Fig. D-1

## FUNCTIONAL DESCRIPTION

### FOREWORD

Model BDTS100 is a 10" Table Saw designed to give high quality performance with depth of cut capacity up to 3" (76mm) at 90° and 2-1/2" (63 mm) at 45° for clean cutting of standard stock sizes. BDTS100 includes the saw with a 13 amp 120V motor, a metal stand, rip fence, miter gauge, see-through blade guard with splitter and anti-kickback fingers, a 10" carbide-tipped saw blade, table insert and blade wrenches.

**NOTICE: THE PHOTO ON THE MANUAL COVER ILLUSTRATES THE CURRENT PRODUCTION MODEL. ALL OTHER ILLUSTRATIONS CONTAINED IN THE MANUAL ARE REPRESENTATIVE ONLY AND MAY NOT DEPICT THE ACTUAL COLOR, LABELING OR ACCESSORIES AND ARE INTENDED TO ILLUSTRATE TECHNIQUE ONLY.**

## CARTON CONTENTS

### MOTORIZED BENCH SAW PARTS

Fig. 1 illustrates the saw removed from the container. Figs. 2 and Fig. 3 illustrate the loose items packed with the saw. Fig. 4 illustrates the loose items packed for the stand ONLY.



Fig. 1

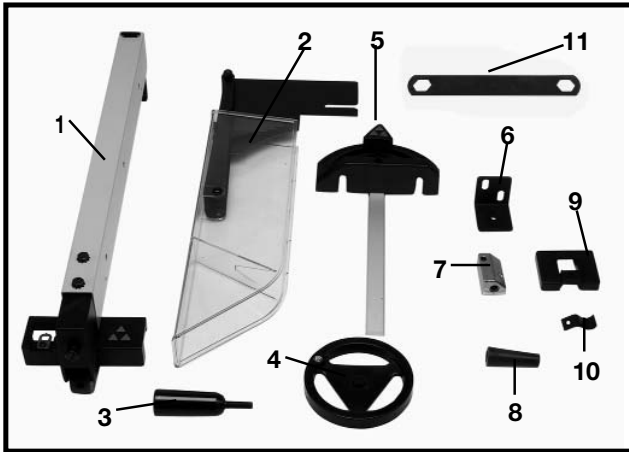


Fig. 2

### Fig. 2 Parts

1. Rip Fence
2. Splitter and Guard Assembly
3. Lock Handle for Rip Fence
4. Blade Raising and Lowering Handwheel
5. Miter Gauge
6. Splitter Support Bracket
7. Splitter Bracket
8. Handle for Blade Raising and Lowering Handwheel
9. Miter Gauge Holder
10. Spring Clip for Miter Gauge Holder
11. Blade Wrench

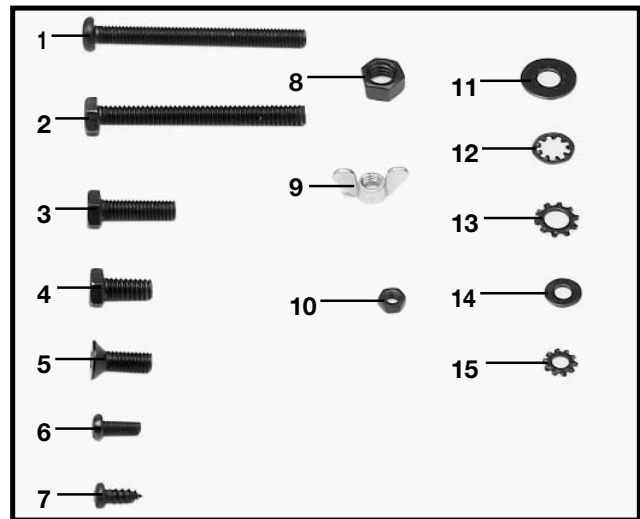


Fig. 3

### Fig. 3 Hardware

1. M6x1x55mm Pan Head Screw (1)
2. 1/4-20x2-1/2" Hex Head Screw (1)
3. M6x1x20mm Hex Head Screw (1)
4. 1/4-20x1/2" Hex Head Screw (2)
5. M6x1x12mm Flat Head Screw (1)
6. M4x.7x10mm Pan Head Screw (1)
7. M4x.2x10mm Pan Head Screw (4)
8. M8x1.25 Hex Nut (1)
9. M6x1 Wing Nut (1)
10. M4.7 Hex Nut (1)
11. M6.4 Flat Washer (3)
12. 1/4" Internal Tooth Lockwasher (1)
13. 1/4" External Tooth Lockwasher (5)
14. 3/16" Flat Washer (4)
15. 3/16" External Tooth Flat Washer (1)

### (Fig. 4) Stand Parts

1. Leg (4)
2. 3/8" Flat Washer for Mounting Saw to Stand & for Assembling Stand (24)
3. Foot (4)
4. M8x1.25 Hex Nut for Mounting Saw to Stand & for Assembling Stand (20)
5. M8x1.25x45mm Hex Screw for Mounting Saw to Stand (4)
6. M8x1.25x20mm Carriage Head Bolts for Assembling Stand (16)
7. 18-1/2" Top Front and Rear Brackets (2)
8. 17" Top Side Brackets (2)
9. 22" Bottom Front and Rear Brackets (2)
10. 20-3/8" Bottom Side Brackets (2)

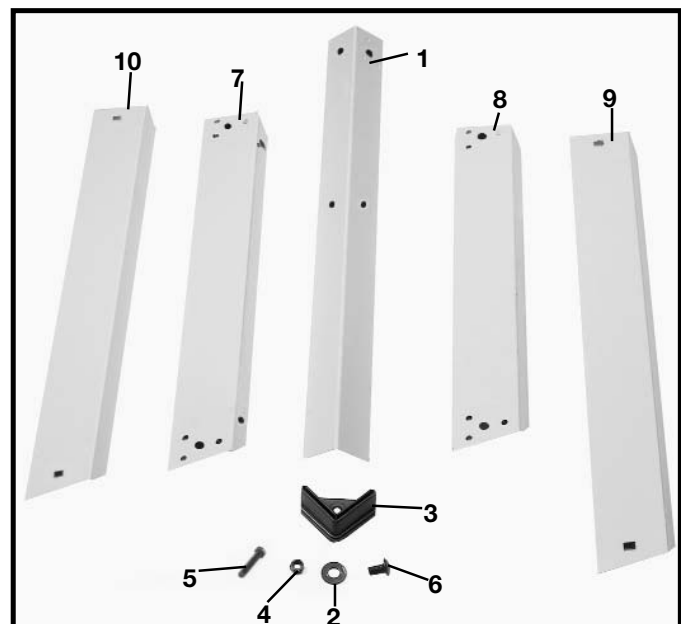


Fig. 4



## UNPACKING AND CLEANING

Carefully unpack the machine and all loose items from the shipping container(s). Remove the protective coating from all unpainted surfaces. This coating may be removed with a soft cloth moistened with kerosene (do not use acetone, gasoline or lacquer thinner for this purpose). After cleaning, cover the unpainted surfaces with a good quality household floor paste wax.

## ASSEMBLY

### ASSEMBLY TOOLS REQUIRED

(None supplied)

\* Phillips head screwdriver

\* 13mm wrench for stand bolts

\* 10mm wrench for splitter assembly bolts

\* Straight edge and/or framing square for adjustments

### ASSEMBLY TIME ESTIMATE - 1 hour

### ELEVATING AND SUPPORTING SURFACES FOR A SAW WITH NO STAND

**▲ WARNING** THE SAW MUST BE PROPERLY SECURED TO A SUPPORTING SURFACE. ALSO, FAILURE TO PROVIDE A SAWDUST FALL-THROUGH AND REMOVAL HOLE WILL ALLOW SAWDUST TO BUILD UP AROUND THE MOTOR, CAUSING A POSSIBLE FIRE HAZARD AND/OR MOTOR DAMAGE.

**▲ WARNING** DISCONNECT MACHINE FROM POWER SOURCE.

The saw must be elevated enough for sawdust to fall through the bottom of the saw and not build up around the motor.

Position the four mounting holes located on the base of the saw cabinet (two of which are shown at (A) Fig. 4A) over whatever proper support you are using. Then securely fasten the saw to the supports. The saw can be secured by fastening the stand through the mounting holes with suitable hardware (not supplied).

**▲ WARNING** THE SAW SUPPORT MUST BE STABLE AND ABLE TO SUPPORT 300 POUNDS.

You can also construct a simple elevated support, as shown in Fig. 4B.

**▲ WARNING** USE A GOOD GRADE OF PLYWOOD WITH A MINIMUM 3/4" THICKNESS. DO NOT MAKE THE MOUNTING BOARD FROM PARTICLE BOARD SINCE PARTICLE BOARD BREAKS EASILY.

**▲ WARNING** A HOLE MUST BE PROVIDED IN THIS SUPPORT TO ALLOW SAWDUST TO FALL THROUGH.

Square the saw on the supporting surface and mark the location for four 5/16 inch holes to be drilled (Fig. 4B).

**▲ WARNING** MAKE SURE THERE IS AT LEAST 3" ON ALL FOUR SIDES OF THE BASE.

Set the saw aside and then drill holes in these marks. Locate and mark an 11" or 12" square centered between the four mounting holes. Cut out and remove the square (Fig. 4B).

To elevate the supporting surface, measure two 2x4s (A) Fig. 4B to the width of two opposite sides of the supporting surface. Attach the supporting surface to the narrow edges of the 2X4s (as shown in Fig. 4B) using wood screws (not provided) in at least three spots (B) Fig. 4B on each side.

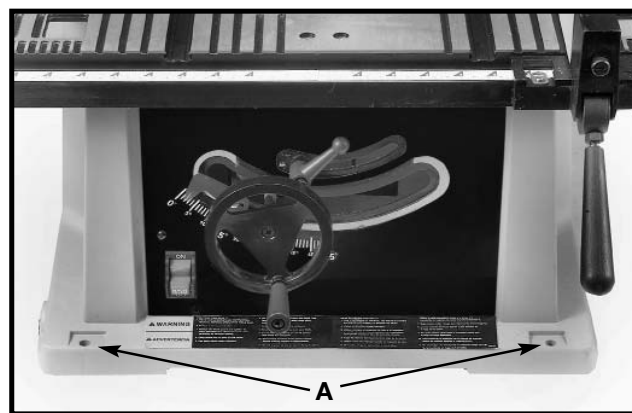


Fig. 4A

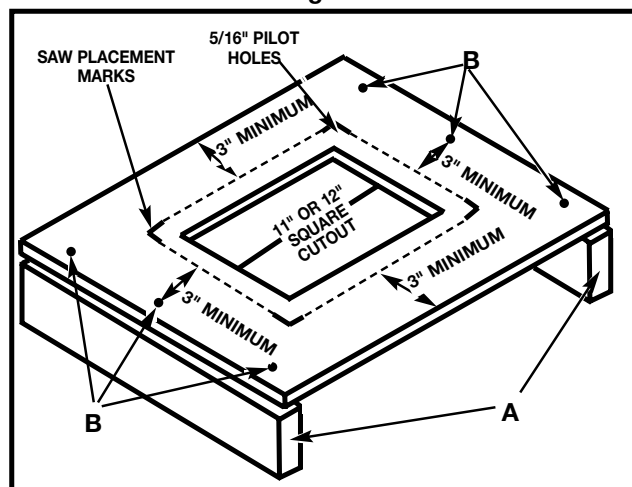


Fig. 4B

Fasten the saw to the surface by inserting suitable hardware (not supplied) through the mounting holes on the saw and into the previously drilled holes. While using the saw, periodically remove the sawdust buildup from below the saw.

## ASSEMBLING STAND

1. Assemble the stand as shown in Fig. 4C, using 16 M8x1.25x20mm carriage head bolts, 3/8" flat washers and M8x1.25 hex nuts. Align the holes in the stand legs (F) with the holes in the brackets. Insert the carriage head bolt through the hole in the leg and the hole in the bracket, place a flat washer on the carriage head bolt and thread a hex nut onto the carriage head bolt. Repeat this process for the 15 remaining holes in the legs and brackets.

**NOTE: Loosely tighten the hardware for further adjustment.**

Letters are on the stand brackets to ease assembly:

- A - Top front and rear brackets
- B - Top side brackets
- C - Bottom side brackets
- D - Bottom front and rear brackets

2. Attach the rubber feet (E) Fig. 4C to the bottom of each leg (F).

**NOTE: Each rubber foot is provided with holes for mounting the stand to the floor surface if required.**

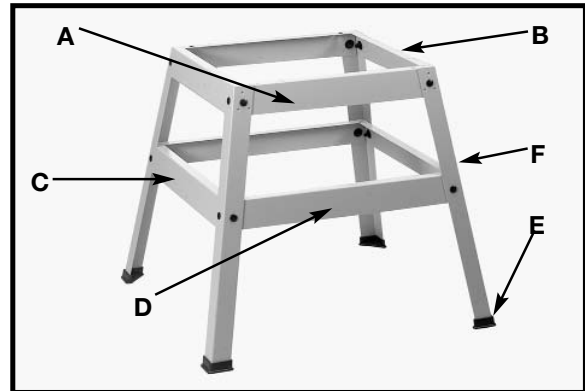


Fig. 4C

## SAW TO STAND

1. Turn saw table face down on a piece of cardboard to protect the table surface. Place stand upside down onto saw and align the four holes in the stand with the mounting holes in the saw.
2. Place a 3/8" flat washer on a M8x1.25x45mm hex head screw. Insert the hex head screw through the mounting hole in the saw and the mounting hole in the stand. Place another 3/8" flat washer on the hex head screw and thread a M8x1.25 hex nut on the screw and loosely tighten. Complete this process for the other three holes.
3. Stand the saw upright, as shown in Fig. 4D (Saw is shown fully assembled here).
4. Push down on top of the saw so that the legs of the stand adjust to the surface of the floor. Tighten all hardware securely.



Fig. 4D

## ATTACHING BLADE HEIGHT ADJUSTING HANDWHEEL

1. Insert an M6x1x55mm pan head screw (D) Fig. 5 through the handle (E). Attach the handle (E) to the handwheel (A) by threading the screw (D) clockwise into the handwheel.
2. Attach the handwheel (A) Fig. 6 to the shaft (B). Align the flat on the inside of the handwheel to the flat on the shaft.

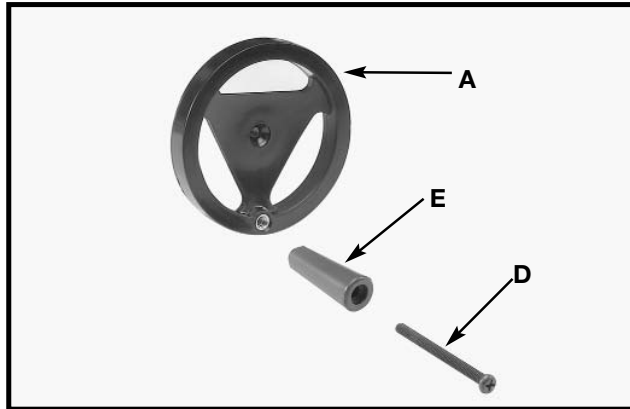


Fig. 5

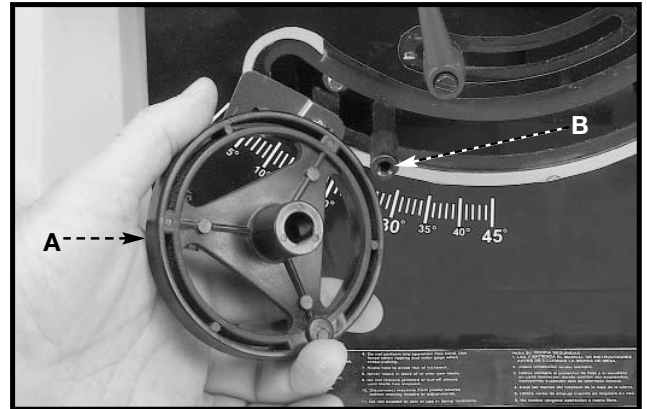


Fig. 6

3. Fasten the handwheel (A) Fig. 7 to the shaft using an M6x1x12mm flat head screw (C)

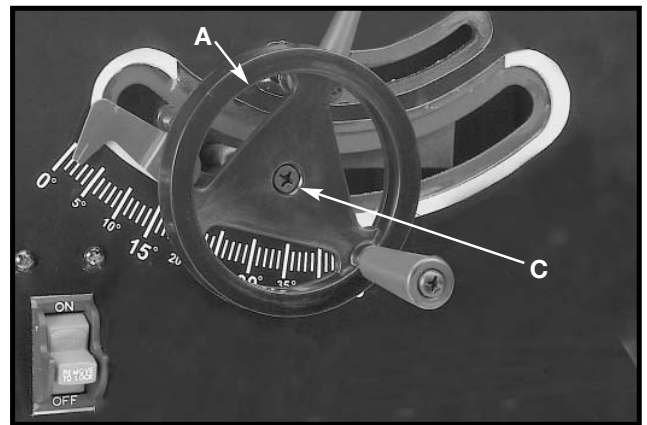


Fig. 7

## ATTACHING BLADE GUARD AND SPLITTER ASSEMBLY

**⚠ WARNING** DISCONNECT MACHINE FROM POWER SOURCE.

**⚠ WARNING** PROPERLY ALIGN THE BLADE GUARD AND SPLITTER ASSEMBLY WITH THE SAW BLADE TO PREVENT KICKBACK.

1. Position the blade 90 degrees to the table and lock in place.
2. Fasten the splitter support bracket (A) Fig. 9 to the splitter bracket (B) using two 1/4-20x1/2" hex head screws (C) and two 1/4" external tooth lockwashers (D).

**NOTE:** Loosely tighten the screws for further adjustment.

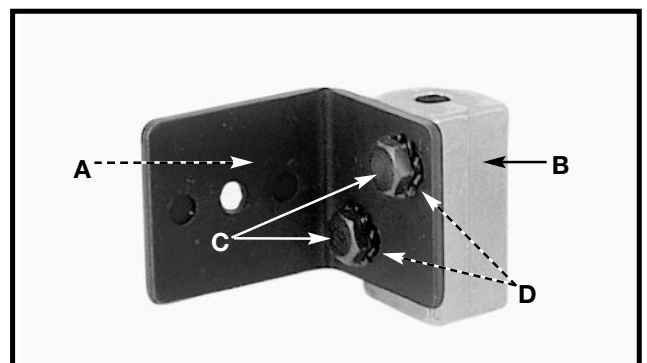


Fig. 9

3. Locate the 1/4-20x2" hex head screw (G) Fig. 10. Place the 1/4" internal tooth lockwasher (O) M6.4 flat washer (P) and the 1/4" external tooth lockwasher (R) on the screw (G).
4. Position the recessed end (E) Fig. 11 of the splitter bracket (B) against the end of the pivot rod (F), and fasten using the assembly in **STEP 3**.

**NOTE: Loosely tighten the hardware for further adjustment.**

5. Position the splitter (H) Fig. 13 against the splitter support bracket, making certain the two protrusions (K) on the splitter support bracket are inside the slot of splitter (H).

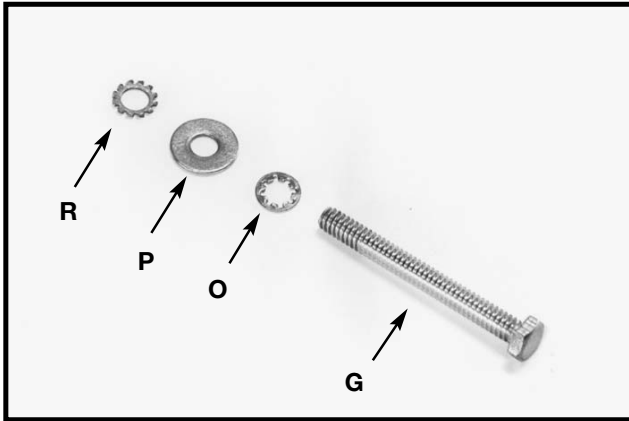


Fig. 10

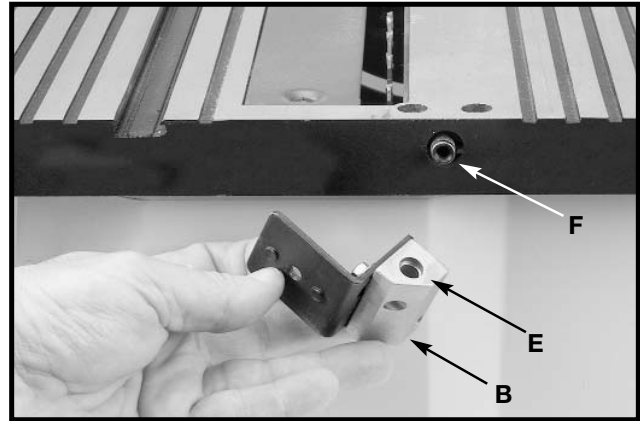


Fig. 11

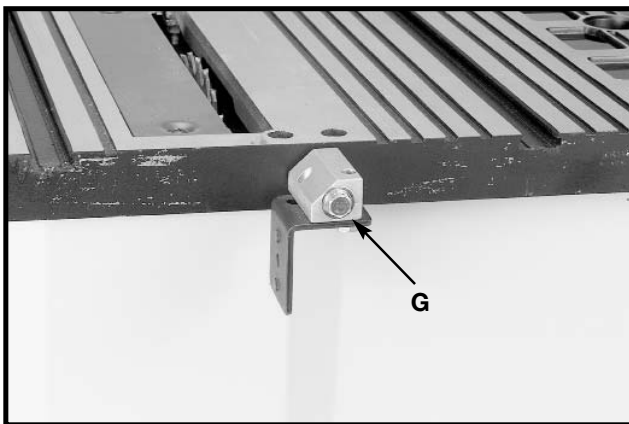


Fig. 12

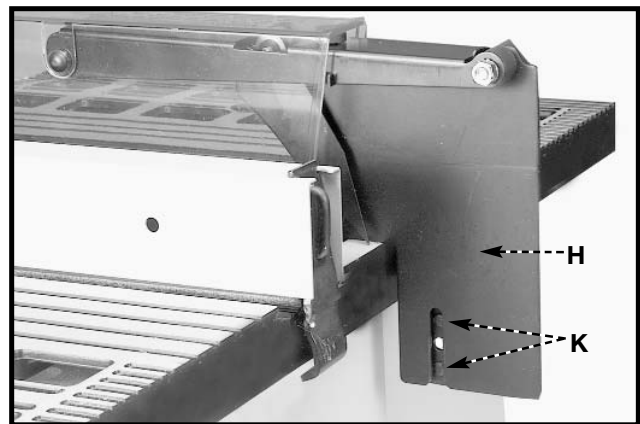


Fig. 13

6. Attach the splitter (H) Fig. 14 to the splitter support bracket (B). Place a 1/4" external tooth lockwasher and an M6.4 flat washer on an M6x1x20mm hex head screw (L).
7. Insert the screw (L) Fig. 14 through the splitter support bracket (C) and the splitter (H). Place an M6.4 flat washer and a 1/4" external tooth lockwasher on the screw (L). Thread an M6x1 wing nut (M) Fig. 15 on the screw (L) Fig. 15.

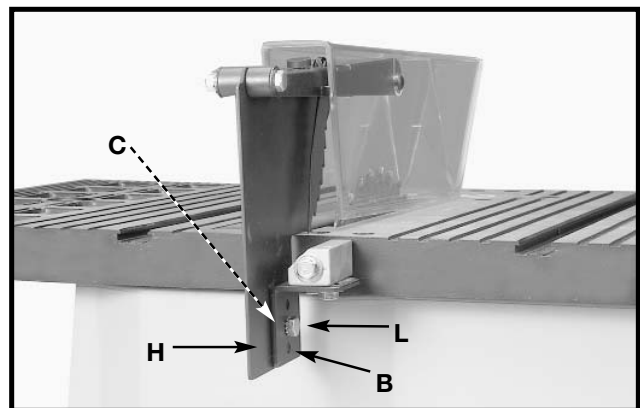


Fig. 14

**NOTE:** Before tightening the wing nut (M) Fig. 15, make certain a gap of at least 1/8" is between the bottom edge of the splitter (N) and the top surface of the table (P) and that the protrusions (K) are inside the slot of the splitter assembly (H).

8. Use a straight edge to see if the splitter (H) Fig. 16 is aligned with the saw blade (R). If an adjustment is necessary, the splitter (H) can be moved left or right and rotated.
9. When the splitter is properly aligned with the saw blade, tighten the screws (C) and (G) Fig. 17.

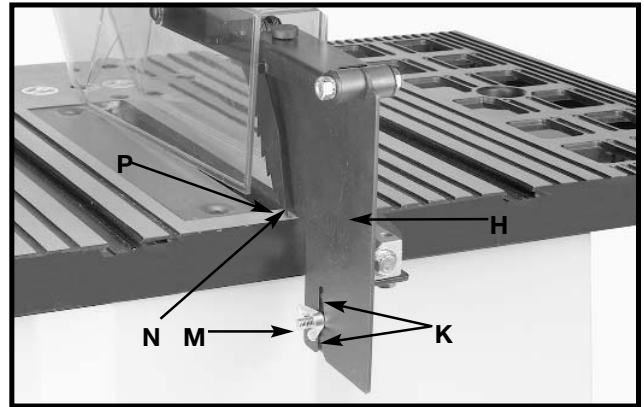


Fig. 15

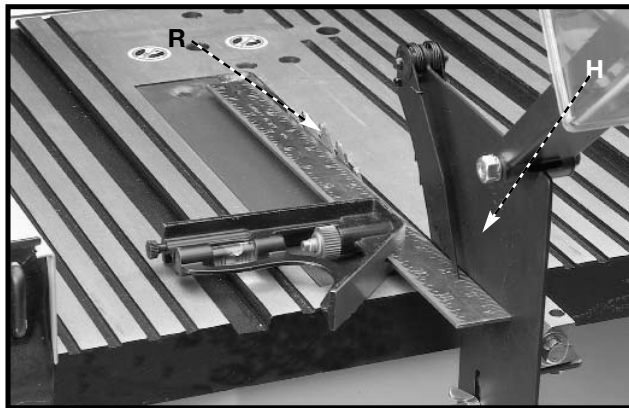


Fig. 16

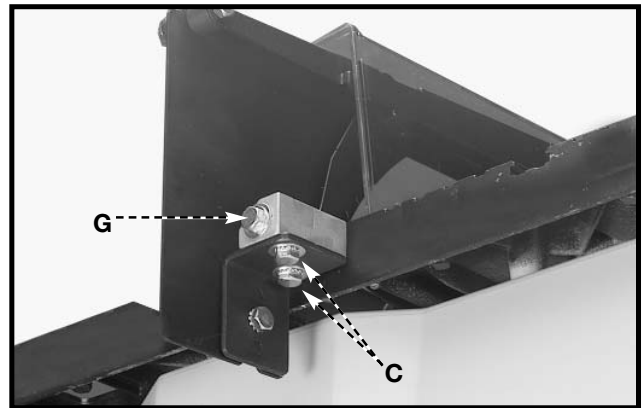


Fig. 17

## MITER GAUGE

The miter gauge is shipped assembled and is supplied with a T-slot bar (A) Fig. 18 that is inserted into either one of the two T-slotted miter gauge grooves (B) located in the table top. The T-slot prevents the miter gauge from falling when it is extended beyond the front of the table when cross-cutting extra wide workpieces.

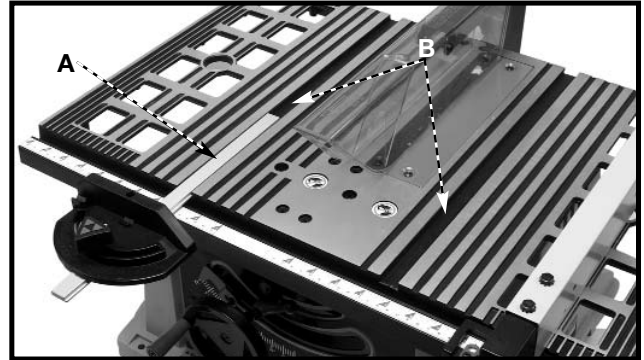


Fig. 18

## ATTACHING MITER GAUGE HOLDER

**⚠ WARNING** DISCONNECT MACHINE FROM POWER SOURCE.

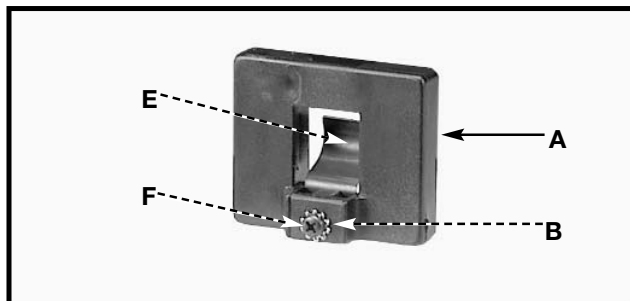


Fig. 19

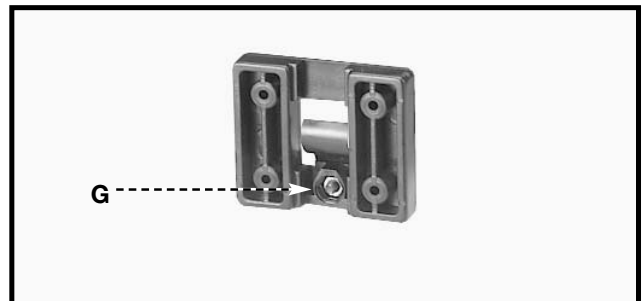


Fig. 20

1. Attach the spring clip (E) Fig. 19 to the miter gauge holder (A) using an M4x.7x10mm pan head screw (F), 3/16" external tooth lockwasher, (B) and M4x.7 hex nut.  
**NOTE:** The hex nut (G) Fig. 20 will fit into the recess at the back of the miter gauge holder (A) Fig. 19 to keep the spring clip (E) secured to the miter gauge holder.
2. Attach the miter gauge holder (A) Fig. 21 to the left side of the saw cabinet using the four M4x.2x10mm screws (B) Fig. 22, and 3/16" flat washers (C) from inside of the saw cabinet.
3. Fig. 23 illustrates the miter gauge (D) inserted into the holder.

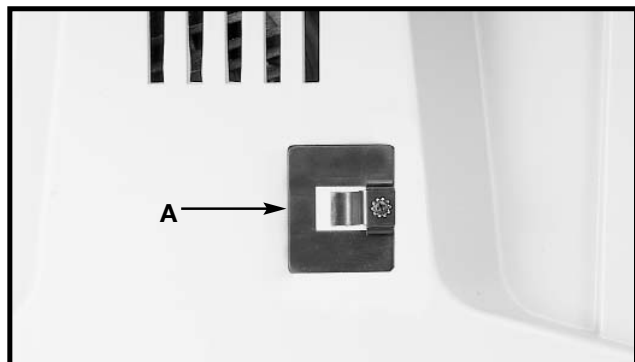


Fig. 21

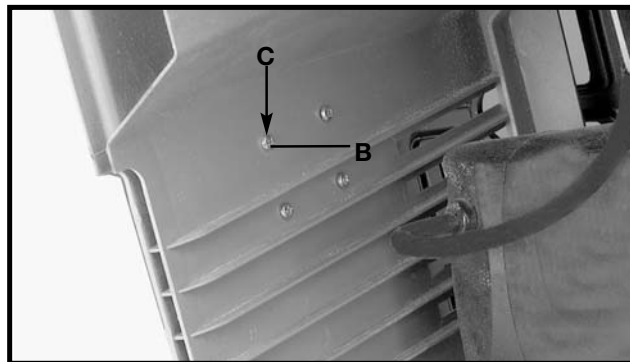


Fig. 22

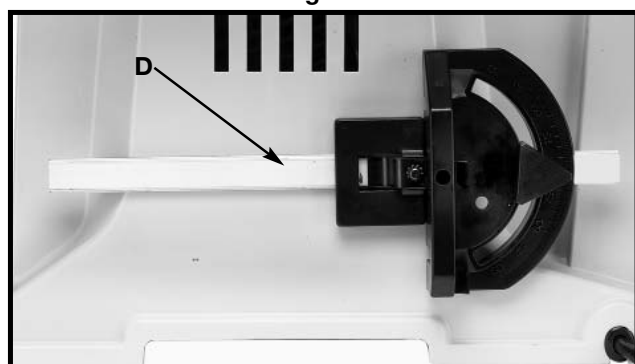


Fig. 23

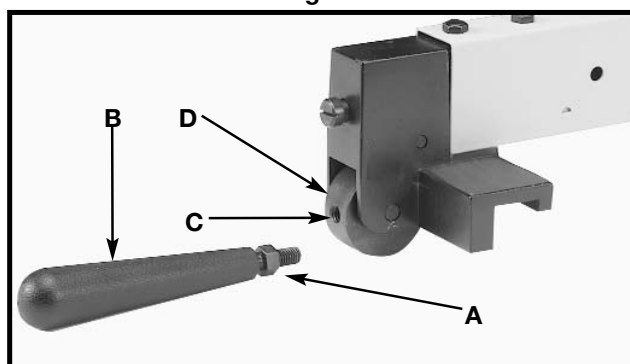


Fig. 24

## ASSEMBLING RIP FENCE

1. Thread the M8x1.25 hex nut (A) Fig. 24, approximately halfway on the stud of the handle (B).
2. Thread the handle (B) Fig. 24 into the tapped hole (C) in the fence cam (D). Tighten the hex nut (A) Fig. 25 against the cam (D).
3. The rip fence is usually set up on the right hand side of the saw table. Lift the lock handle (B) Fig. 26 and position the fence on the table. Push down on the handle (B) Fig. 26 to lock the fence in place.

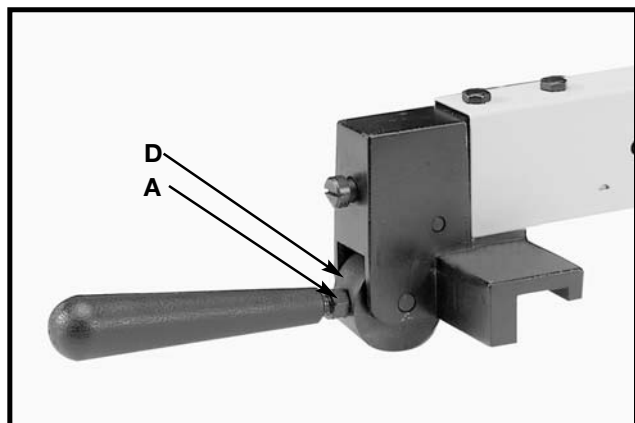


Fig. 25

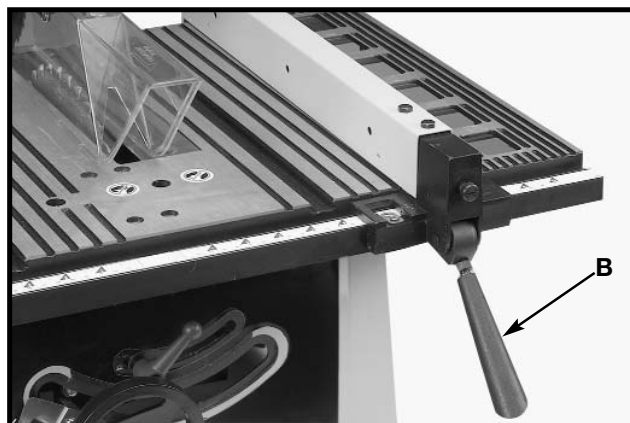


Fig. 26

# OPERATION

## OPERATIONAL CONTROLS AND ADJUSTMENTS

### STARTING AND STOPPING SAW

The on/off switch (A) Fig. 27 is located on the front of the saw cabinet. To turn the saw “ON”, move the switch (A) up to the “ON” position. To turn the saw “OFF”, move the switch (A) down to the “OFF” position.

**⚠ WARNING** MAKE SURE THAT THE SWITCH IS IN THE “OFF” POSITION BEFORE PLUGGING IN THE POWER CORD. IN THE EVENT OF A POWER FAILURE, MOVE THE SWITCH TO THE “OFF” POSITION. AN ACCIDENTAL START-UP CAN CAUSE INJURY.

### LOCKING SWITCH IN THE “OFF” POSITION

**IMPORTANT:** When the tool is not in use, the switch should be locked in the “OFF” position to prevent unauthorized use. To lock the tool, grasp the switch toggle (B) and pull it out of the switch (Fig. 28). With the switch toggle (B) removed, the switch will not operate. However, should the switch toggle be removed while the saw is running, the machine can be turned “OFF,” but cannot be restarted without re-inserting the switch toggle (B).

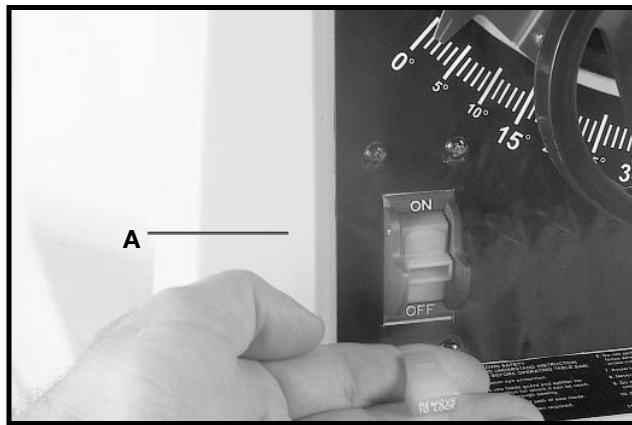


Fig. 27

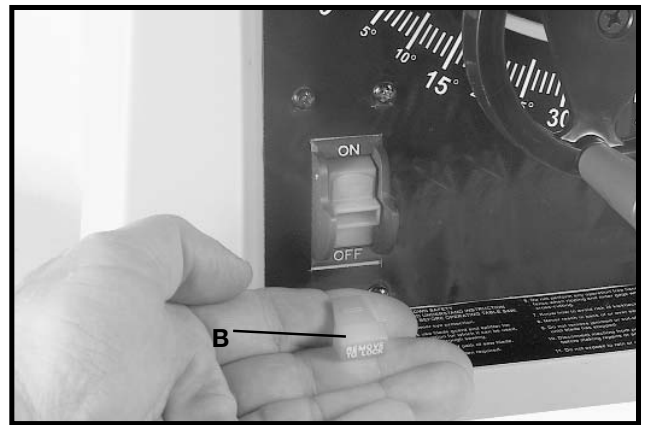


Fig. 28

### BLADE HEIGHT ADJUSTMENT

To adjust the height of the saw blade, turn the handwheel (A) Fig. 29. Turning the handwheel clockwise lowers the blade and turning the handwheel counter-clockwise raises the blade.

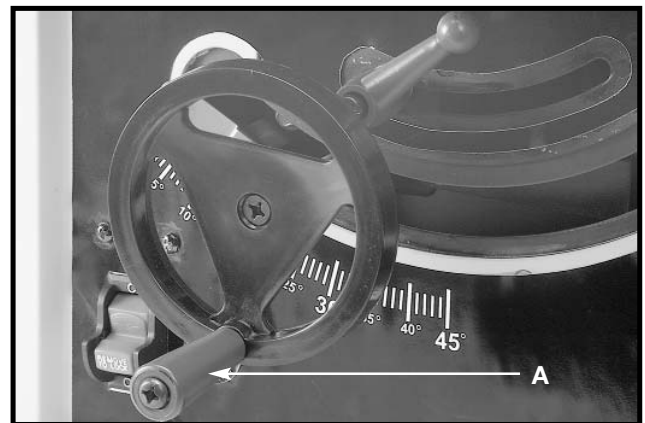


Fig. 29

## BLADE TILT ADJUSTMENT

To tilt the saw blade, loosen the lock handle (A) Fig. 30 and move the handwheel (B) until the blade is at the desired angle. Tighten the lock handle (A).

**NOTE:** The lock handle (A) is spring-loaded. Pull out on the handle (A) and reposition it on the serrated stud located underneath the handle.

**⚠ WARNING** THE BLADE TILTING LOCK HANDLE (A) MUST BE LOCKED DURING ALL CUTTING OPERATIONS.

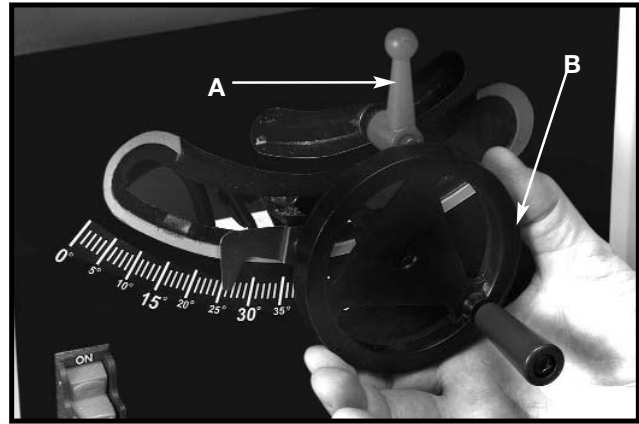


Fig. 30

## 90 AND 45 DEGREE POSITIVE STOP ADJUSTMENTS

Your saw is equipped with positive stops for rapid and accurate positioning of the saw blade at 90 and 45 degrees to the table.

**⚠ WARNING** DISCONNECT MACHINE FROM POWER SOURCE.

### TO ADJUST POSITIVE STOP AT 90 DEGREES

1. Raise the saw blade to its maximum height.
2. Loosen the blade tilting lock handle (A) Fig. 30, move the blade tilting mechanism (B) as far as possible to the left, and tighten the blade tilting lock handle (A).
3. Place a square (A) Fig. 31 on the table with one end of the square against the blade, and check to see if the blade is 90 degrees to the table. If not, loosen the screw (B) Fig. 31 a few turns and move the blade tilting mechanism until the blade is 90 degrees to the table. Tighten the blade tilting lock handle (A) Fig. 30, and tighten the screw (B) Fig. 31 until it stops.

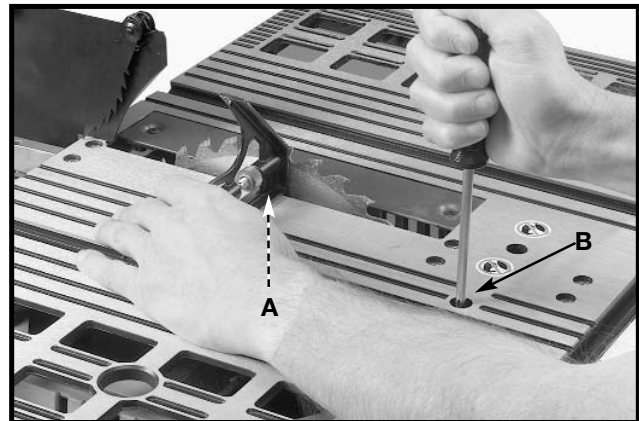


Fig. 31

### TO ADJUST POSITIVE STOP AT 45 DEGREES

1. Raise the saw blade to its maximum height.
2. Loosen the blade tilting lock handle (A) Fig. 31, move the blade tilting mechanism (B) as far as possible to the right, and tighten the blade tilting lock handle (A).
3. Place a square (A) Fig. 32 on the table with one end of the square against the blade, and see if the blade is 45 degrees to the table. If not, loosen the screw (C) Fig. 32 a few turns and move the blade tilting mechanism (B) Fig. 30, until the blade is 45 degrees to the table. Tighten the blade tilting lock handle (A) Fig. 30, and tighten the screw (C) Fig. 32 until it stops.

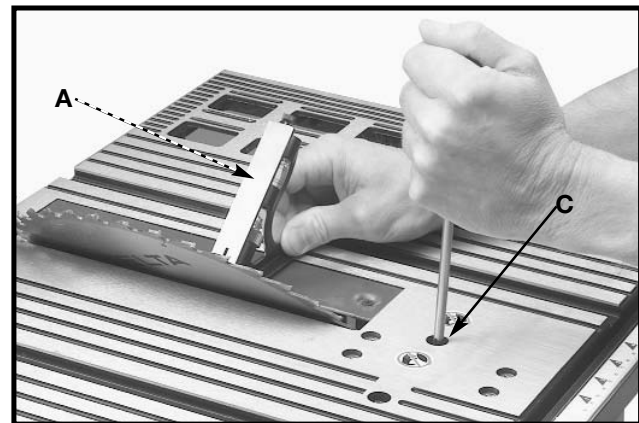


Fig. 32



## RIP FENCE OPERATION AND ADJUSTMENTS

1. To move the rip fence (A) Fig. 33 along the table, lift up the fence locking lever (B), slide the fence to the desired location on the table, and push down the fence locking lever (B).
2. The pointer indicates the distance from the fence to the saw blade. If an adjustment is required, loosen the screw (C) Fig. 37 and adjust.

**IMPORTANT: The rip fence must be properly aligned to the miter gauge slot to prevent kickback when ripping.**

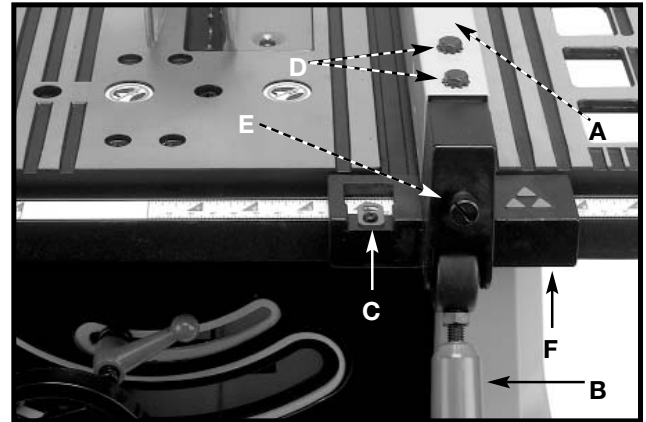


Fig. 33

3. The saw blade is set parallel to the miter gauge slot at the factory. The fence must be parallel to the miter gauge slot to do accurate work and to prevent kickback when ripping. To check the alignment:
4. Position the fence next to the miter gauge slot (Fig. 33). Clamp the fence to the table by pushing the locking lever (B) down. The edge of the fence should be parallel to the miter gauge slot.
5. If an adjustment is necessary, loosen the two screws (D) Fig. 33, and lift the locking lever (B). While holding the fence bracket (F) firmly toward the front of the saw, move the rear of the fence (A) until it is parallel with the miter gauge slot. Tighten two screws (D) and push locking lever down (B).
6. Adjust the clamping action of the fence (A) Fig. 33 by lifting the locking lever (B) and turning the screw (E) clockwise to increase, or counterclockwise to decrease the clamping action of the fence.

**⚠ WARNING DISCONNECT MACHINE FROM POWER SOURCE.**

## TABLE INSERT ADJUSTMENT

1. Make sure that the table insert (A) Fig. 33A, is flush with, or slightly below, the surface of the table (B) on the front edge of the insert and flush with, or slightly above the surface of the table on the back edge of the insert.
2. If the table insert is above the surface of the table, tighten the two table insert screws (C) Fig. 33A to lower the insert.

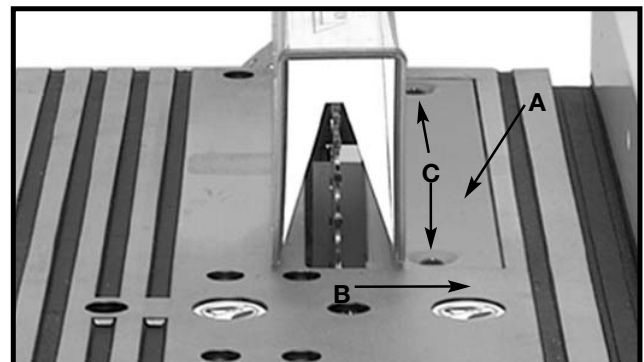


Fig. 33A

## MITER GAUGE OPERATION AND ADJUSTMENTS

For cross-cutting (blade set 90 degrees to the table), the miter gauge can be used in either table slot. For bevel cross-cutting (with the blade tilted), use the miter gauge in the right table slot only so that the blade will be tilted away from the miter gauge and your hands.

To operate the miter gauge, loosen the lock knob (E) Fig. 34, and rotate the miter gauge to the desired angle.

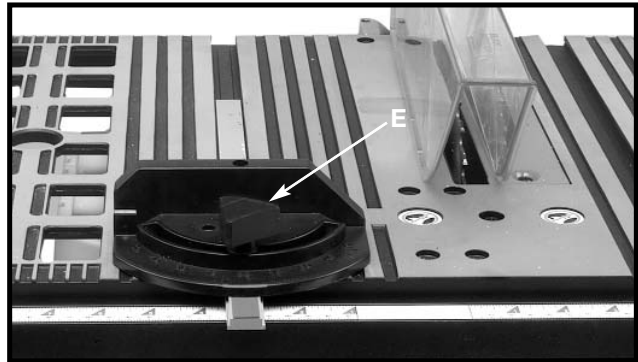


Fig. 34

## ADJUSTING BLADE PARALLEL TO MITER GAUGE SLOTS

The blade was adjusted parallel to the miter gauge slots at the factory. In order to ensure accurate cuts and help prevent kickback, check this adjustment.

To adjust:

**⚠ WARNING** DISCONNECT MACHINE FROM POWER SOURCE.

1. Raise the blade to its highest position and adjust the blade so that it is 90 degrees to the table.
2. Select a tooth on the saw blade that is set to the left. Mark this tooth with a pencil or marker.
3. Use a combination square (A) Fig. 35 against the miter gauge slot and adjust the blade (B) of the square until it touches the marked tooth.
4. Rotate the blade and check the same marked blade tooth at the rear of the saw table (Fig. 36).

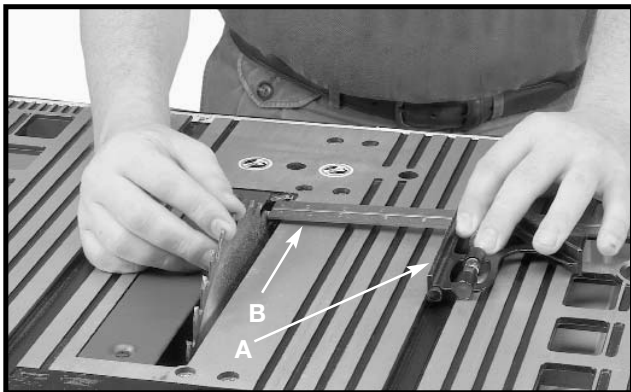


Fig. 35

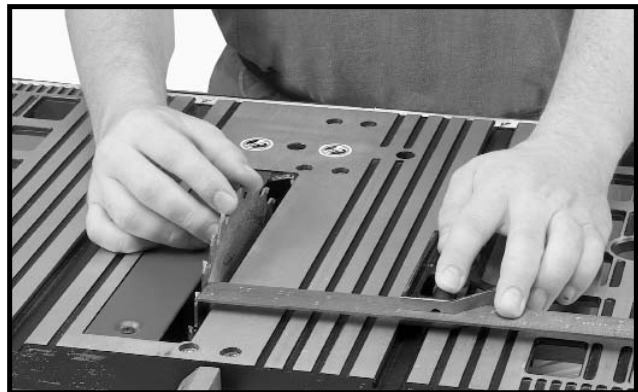


Fig. 36

5. If the front and back measurements (Figs. 35 and 36) are not identical, you can adjust the blade. Start by loosening the nuts below the four screws (C) Fig. 37 on the table. Then loosen the screws (C). Carefully move the saw blade until the blade is parallel to the miter gauge slot. When done, tighten four nuts under the table and the four screws (C) Fig. 37 securely.

**NOTE:** If sufficient adjustment cannot be achieved by loosening the screws (C) Fig. 37, loosen the screw (D) Fig. 37 necessary to make the adjustment.

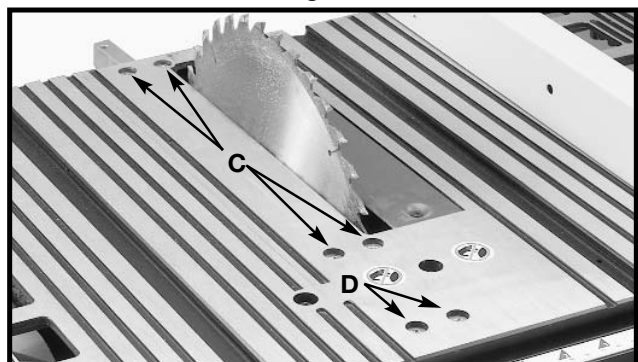


Fig. 37

## CHANGING THE BLADE

### **⚠ WARNING**

**DISCONNECT THE MACHINE FROM THE POWER SOURCE.** Use only 10" diameter saw blades rated for 4700 RPM or higher. Use only saw blades with 5/8" arbor holes.

1. Raise the saw blade to its maximum height and remove the table insert (A) Fig. 38.
2. Place a piece of wood (B) Fig. 38 flat on the table against the blade so that a tooth of the blade can "grab" the wood to keep the blade from turning. Remove the arbor nut (C) with the blade removal wrench (D). Turn the nut (C) counter-clockwise to remove. Remove the outside blade flange (E) and saw blade (F).
3. Reverse the procedure to install the new blade.

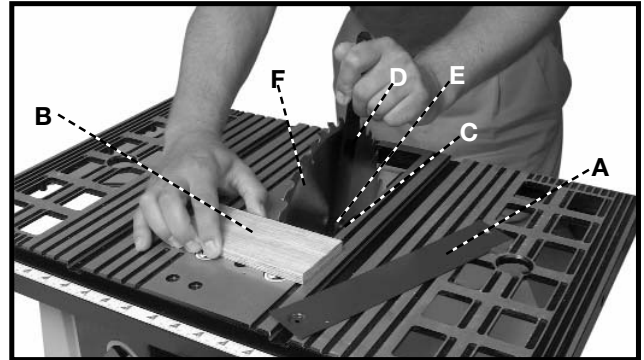


Fig. 38

## MACHINE USE

Common sawing operations include ripping and crosscutting plus a few other standard operations of a fundamental nature. As with all power machines, there is a certain amount of hazard involved with the operation and use of the machine. Using the machine with the respect and caution demanded as far as safety precautions are concerned, will considerably lessen the possibility of personal injury. However, if normal safety precautions are overlooked or completely ignored, personal injury to the operator can result. The following information describes the safe and proper method for performing the most common sawing operations.

### **⚠ WARNING**

**THE USE OF ATTACHMENTS AND ACCESSORIES NOT RECOMMENDED BY BLACK & DECKER MAY RESULT IN THE RISK OF INJURY TO THE USER OR OTHERS.**

## CROSS-CUTTING

Cross-cutting requires the use of the miter gauge to position and guide the work. Place the work against the miter gauge and advance both the gauge and work toward the saw blade, as shown in Fig. 39. The miter gauge may be used in either table slot. When bevel cutting (blade tilted), use the table groove that does not cause interference of your hand or miter gauge with the saw blade guard.

Start the cut slowly and hold the work firmly against the miter gauge and the table. One of the rules in running a saw is that you never hang onto or touch a free piece of work. Hold the supported piece, not the free piece that is cut off. The feed in cross-cutting continues until the work is cut in two, and the miter gauge and work are pulled back to the starting point. Before pulling the work back, it is good practice to give the work a little sideways shift to move the work slightly away from the saw blade. **Never** pick up any short length of free work from the table while the saw is running. **Never** touch a cut-off piece unless it is at least a foot long.

For added safety and convenience the miter gauge (A) can be fitted with an auxiliary wood-facing (B), as shown in Fig. 39A, that should be at least 1 inch higher than the

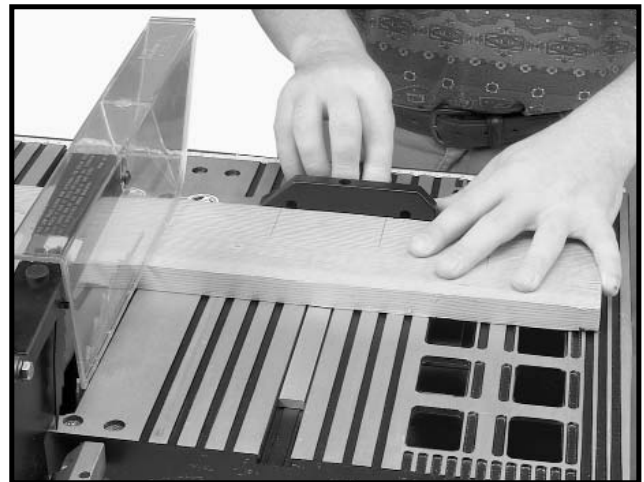


Fig. 39

maximum depth of cut, and should extend out 12 inches or more to one side or the other depending on which miter gauge slot is being used. This auxiliary wood-facing (B) can be **fastened** to the front of the miter gauge by using two wood screws (C) through the holes provided in the miter gauge body and into the wood-facing.

**⚠ WARNING NEVER USE THE FENCE AS A CUT-OFF GAUGE WHEN CROSS-CUTTING.**

When cross-cutting a number of pieces to the same length, a block of wood (B) Fig. 39B can be clamped to the fence and used as a cut-off gauge as shown in Fig. 39B. It is important that this block of wood always be positioned in front of the saw blade as shown. Once the cut-off length is determined, secure the fence and use the miter gauge to feed the work into the cut. This block of wood allows the cut-off piece to move freely along the table surface without binding between the fence and the saw blade, thereby lessening the possibility of kickback and injury to the operator.

**⚠ CAUTION WHEN USING THE BLOCK (B) FIG. 39B, AS A CUT-OFF GAUGE, IT IS VERY IMPORTANT THAT THE REAR END OF THE BLOCK BE POSITIONED SO THE WORK PIECE IS CLEAR OF THE BLOCK BEFORE IT CONTACTS THE BLADE.**

## RIPPING

Ripping is cutting lengthwise through a board. The rip fence (A) Fig. 40 is used to position and guide the work. One edge of the work rides against the rip fence while the flat side of the board rests on the table. Since the work is pushed along the fence, it must have a straight edge and make solid contact with the table. The saw blade guard must be used. The guard has anti-kickback fingers to prevent kickback and a splitter to prevent the wood kerf from closing and binding the blade.

1. Start the motor and advance the work holding it down and against the fence. **Never** stand in the line of the saw cut when ripping. Hold the work with both hands and push it along the fence and into the saw blade (Fig. 40). The work can then be fed through the saw blade with one or two hands. After the work is beyond the saw blade and anti-kickback fingers, the hand is removed from the work. When this is done the work will either stay on the table, tilt up slightly and be caught by the end of the rear guard, or slide off the table to the floor. Alternately, the feed can continue to the end of the table, after which the work is lifted and brought along the outside edge of the fence. The cut-off stock remains on the table and is not touched until the saw blade has stopped, unless it is a large piece allowing safe removal. When ripping boards longer than three feet, use a work support at the rear of the saw to keep the workpiece from falling off the saw table.

2. If the ripped work is less than 4 inches wide, a push stick should always be used to complete the feed, as shown in Fig. 41. The push stick can easily be made from scrap material as explained in the section **“CONSTRUCTING A PUSH STICK.”**

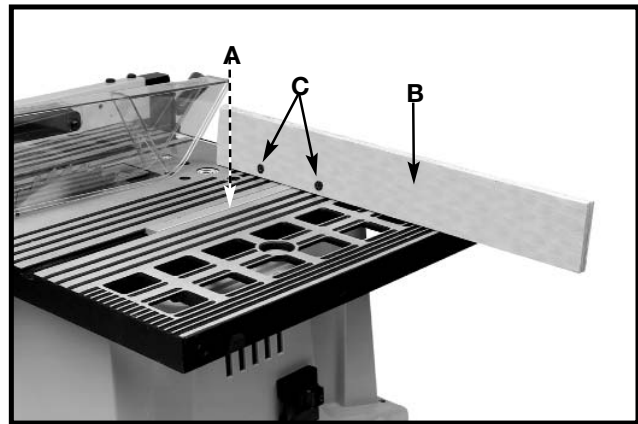


Fig. 39A

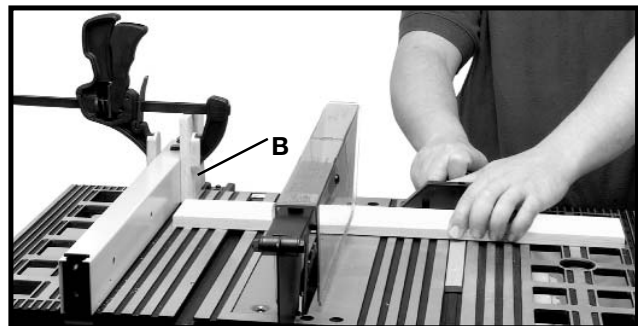


Fig. 39B

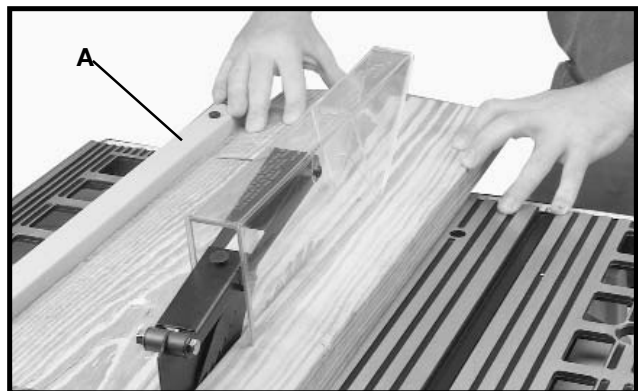


Fig. 40



Fig. 41

3. Ripping narrow pieces can be dangerous if not done carefully. Narrow pieces usually cannot be cut with the guard in position. If the workpiece is short enough, use a pushboard. When ripping material under 2 inches in width, a flat pushboard is a valuable accessory since ordinary type sticks may interfere with the blade guard. When using a pushboard, the width of the pushboard must be added to the width of the rip fence position setting. A flat pushboard can be constructed as shown in Fig. 43 and should be used as shown in Fig. 42

**NOTE:** Some special operations (when using the moulding cutterhead) require the addition of an auxiliary wood facing to the fence, as explained in the section **“USING AUXILIARY WOOD FACING ON THE RIP FENCE”** and use of a push stick.

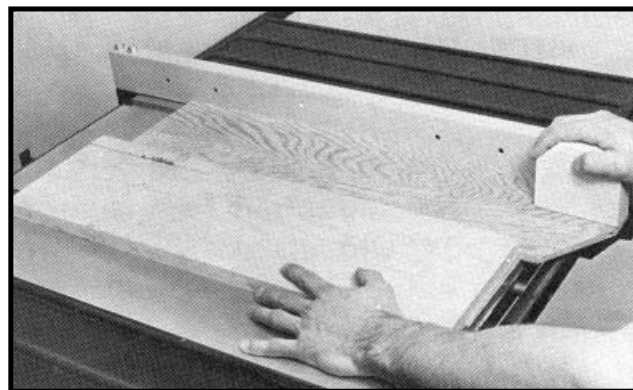


Fig. 42

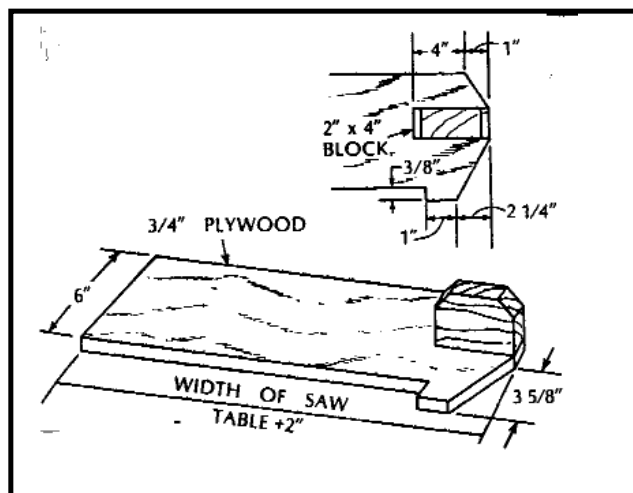


Fig. 43

### USING AUXILIARY WOOD FACING ON RIP FENCE

Wood facings (A) Fig. 43A are necessary on some special operations to one or both sides of the rip fence. The wood facing is attached to the fence with screws through the holes in the fence. Most work will require a 3/4 " stock, although an occasional job may require 1" facing.

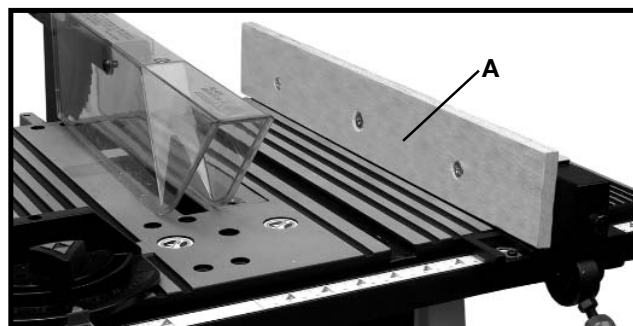


Fig. 43A

### ACCESSORY DADO CUTTERHEAD

**NOTE:** THE MAXIMUM WIDTH DADO CUT FOR THIS SAW IS 1/2 INCH.

**⚠ WARNING** THE BLADE GUARD AND SPLITTER ASSEMBLY CANNOT BE USED WHEN DADOING. IT MUST BE REMOVED.

Before dadoing, loosen wing nut (A) Fig. 44 and take off the blade guard and splitter assembly (B). Keep assembly handy to replace it after dadoing.

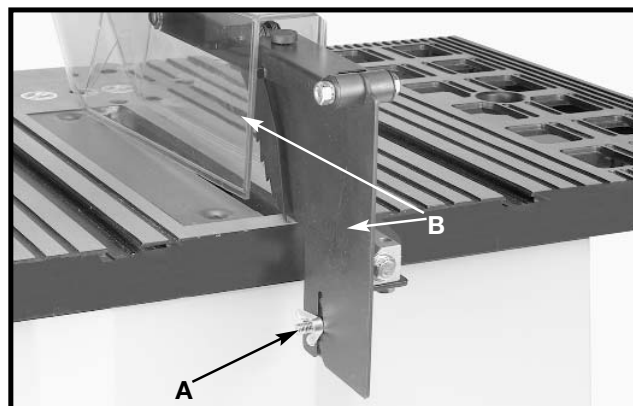


Fig. 44

1. Dadoing is cutting a rabbet or wide groove into the work. Most dado head sets are made up of two outside saws and four or five inside cutters, (Fig. 44A). Various combinations of saws and cutters are used to cut grooves from 1/8" to 13/16" for use in shelving, making joints, tenoning, grooving, etc. The cutters are heavily swaged and must be arranged so that this heavy portion falls in the gullets of the outside saws, as shown in Fig. 45. The saw and cutter overlap is shown in Fig. 46, (A) being the outside saw, (B) an inside cutter, and (C) a paper washer or washers, used as needed to control the exact width of groove. A 1/4" groove is cut by using the two outside saws. The teeth of the saws should be positioned so that the raker on one saw is beside the cutting teeth on the other saw.

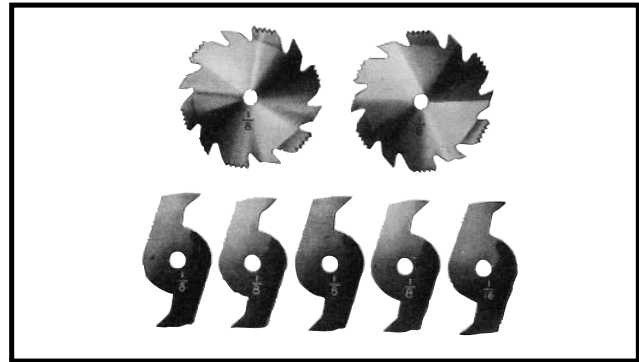


Fig. 44A

2. Attach the dado head set (D) Fig. 47, to the saw arbor.

**NOTE: THE OUTSIDE ARBOR FLANGE CAN NOT BE USED WITH THE DADO HEAD SET, TIGHTEN THE ARBOR NUT AGAINST THE DADO HEAD SET BODY. DO NOT LOSE THE OUTSIDE ARBOR FLANGE. IT WILL BE NEEDED WHEN REATTACHING A BLADE TO THE ARBOR.**

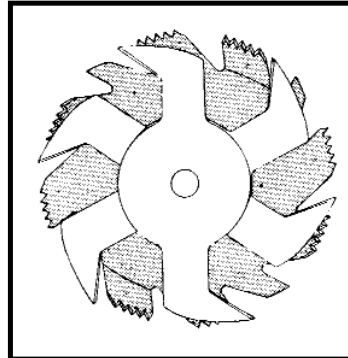


Fig. 45

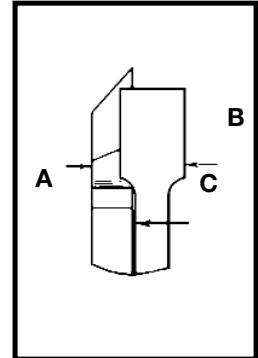


Fig. 46

**CAUTION** THE DADO HEAD SET TABLE INSERT (E) FIG. 47, MUST BE USED IN PLACE OF THE STANDARD TABLE INSERT. THIS IS AVAILABLE AS A SERVICE PART THROUGH A BLACK & DECKER SERVICE CENTER.

**WARNING** THE BLADE GUARD AND SPLITTER ASSEMBLY CANNOT BE USED WHEN DADOING AND MUST BE REMOVED OR SWUNG TO THE REAR OF THE SAW. AUXILIARY JIGS, FIXTURES, PUSH STICKS AND FEATHER BOARDS SHOULD ALSO BE USED.

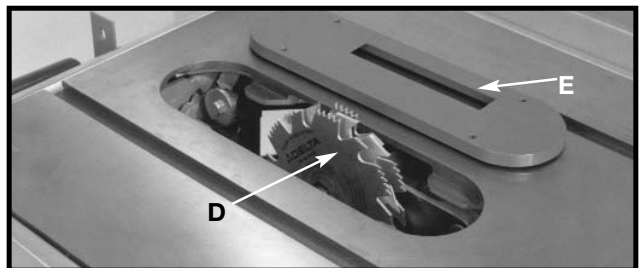


Fig. 47

3. Fig. 48, shows a typical dado operation using the miter gauge as a guide.

**CAUTION** NEVER USE THE DADO HEAD IN A BEVEL POSITION.

**WARNING** ALWAYS INSTALL BLADE GUARD AFTER OPERATION IS COMPLETED.

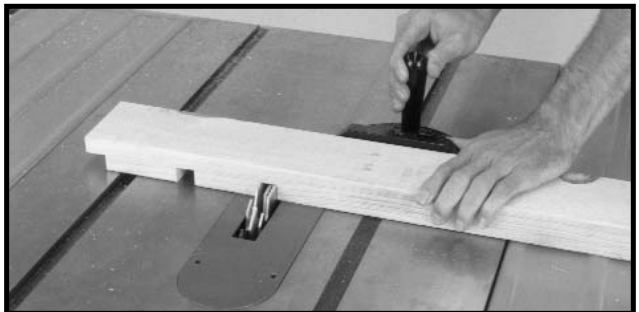
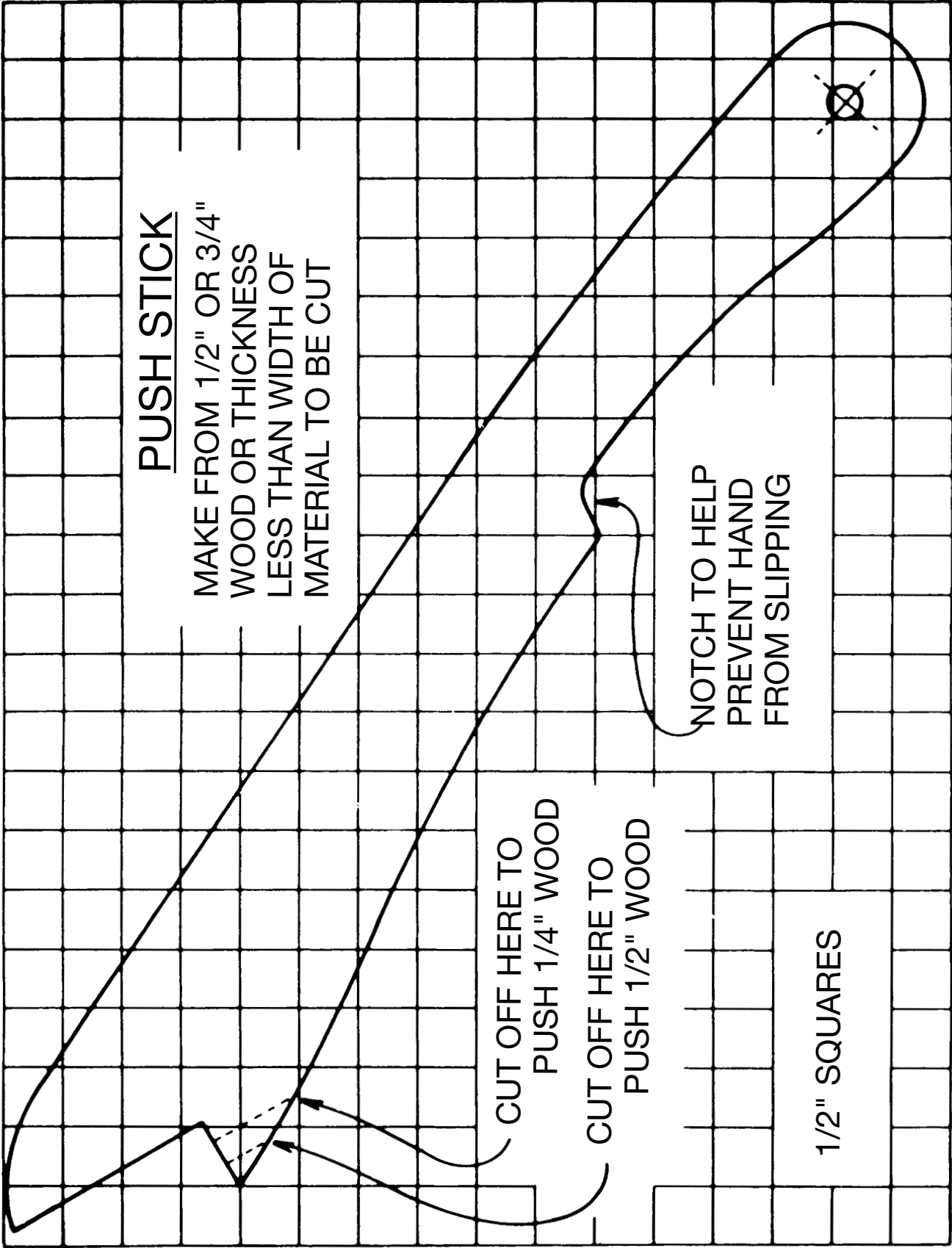


Fig. 48

# CONSTRUCTING A PUSH STICK

When ripping work less than 4 inches wide, use a push stick to complete the feed. The push stick can easily be made from scrap material by following the pattern shown.



## CONSTRUCTING A FEATHERBOARD

Fig. 49 illustrates the dimensions for making a typical featherboard. Make the featherboard from a straight piece of wood that is free of knots and cracks. Featherboards are used to keep the work in contact with the fence and table and to help prevent kickbacks. Clamp the featherboards to the fence and table so that the leading edge of the featherboards will support the workpiece until the cut is complete. Use featherboards for all non "thru-sawing" operations where the guard and spreader assembly must be removed (see Fig. 50). Always replace the guard and spreader assembly when the non thru-sawing operation is completed.

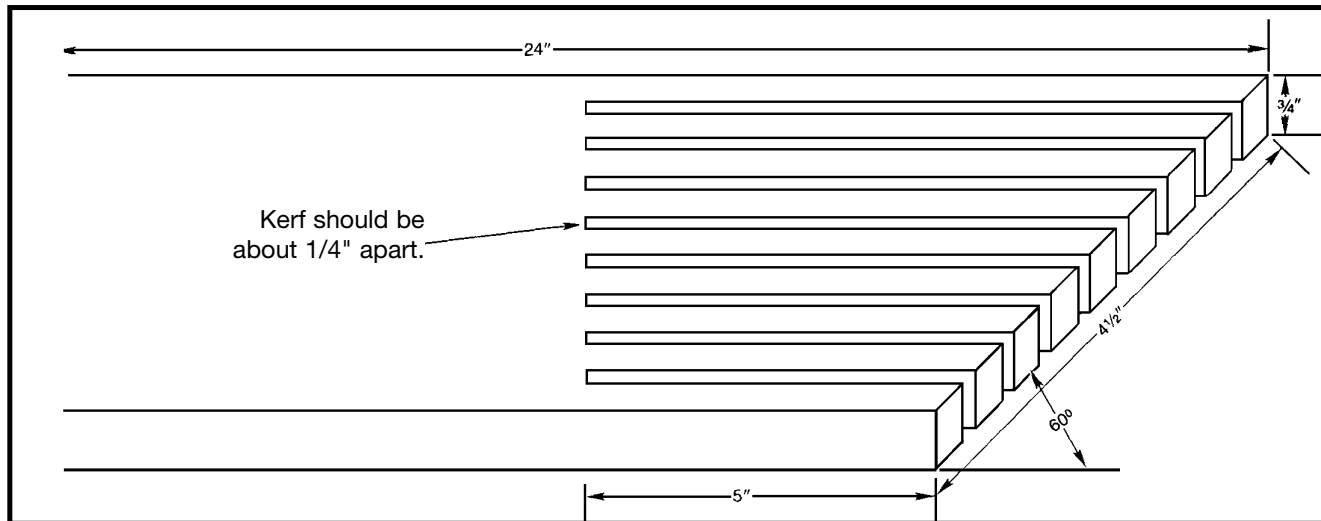


Fig. 49

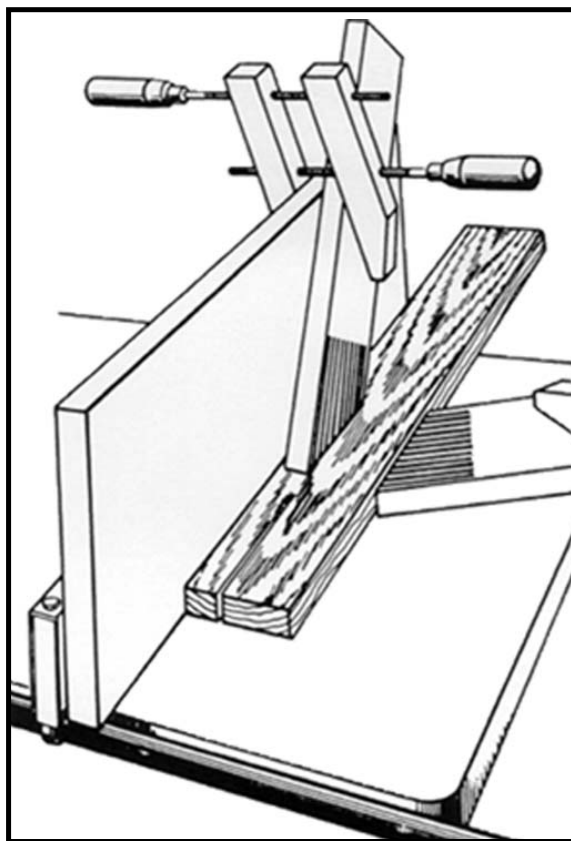


Fig. 50



# MAINTENANCE

## KEEP MACHINE CLEAN

Periodically blow out all air passages with dry compressed air. All plastic parts should be cleaned with a soft damp cloth. NEVER use solvents to clean plastic parts. They could possibly dissolve or otherwise damage the material.

**▲WARNING** Wear ANSI Z87.1 safety glasses while using compressed air.

## FAILURE TO START

Should your machine fail to start, check to make sure the prongs on the cord plug are making good contact in the outlet. Also, check for blown fuses or open circuit breakers in the line.

## LUBRICATION

Apply household floor paste wax to the machine table and extension table or other work surface weekly.

## PROTECTING CAST IRON FROM RUST

To clean and protect cast iron tables from rust, you will need the following materials: 1 pushblock from a jointer, 1 sheet of medium Scotch-Brite™ Blending Hand Pad, 1 can of WD-40®, 1 can of degreaser, 1 can of TopCote® Aerosol. Apply the WD-40 and polish the table surface with the Scotch-Brite pad using the pushblock as a holddown. Degrease the table, then apply the TopCote® accordingly.

# TROUBLESHOOTING

## BE SURE TO FOLLOW SAFETY RULES AND INSTRUCTIONS

### TROUBLE! SAW WILL NOT START

#### WHAT'S WRONG?

- 1.Saw not plugged in.
- 2.Fuse blown or circuit breaker tripped.
- 3.Cord damaged.
- 4.Brushes worn out.

#### WHAT TO DO...

- 1.Plug in saw.
- 2.Replace fuse or reset circuit breaker.
- 3.Have cord replaced by authorized service center.
- 4.Have brushes replaced by authorized service center.

### TROUBLE! SAW MAKES UNSATISFACTORY CUTS

#### WHAT'S WRONG?

- 1.Dull blade.
- 2.Blade mounted backwards.
- 3.Gum or pitch on blade.
- 4.Incorrect blade for work being done.

#### WHAT TO DO...

- 1.Replace blade.
- 2.Turn blade around.
- 3.Remove blade and clean with turpentine.
- 4.Change the blade.

### TROUBLE! BLADE DOES NOT COME UP TO SPEED

#### WHAT'S WRONG?

- 1.Extension cord too light or too long.
- 2.Low house current.

#### WHAT TO DO...

- 1.Replace with adequate size cord.
- 2.Contact your electric company.

### TROUBLE! MACHINE VIBRATES EXCESSIVELY

#### WHAT'S WRONG?

- 1.Stand or bench on uneven floor.
- 2.Damaged saw blade.

#### WHAT TO DO...

- 1.Reposition on flat level surface.
- 2.Replace blade.

## Service Information

Black & Decker offers a full network of company-owned and authorized service locations throughout North America. All Black & Decker Service Centers are staffed with trained personnel to provide customers with efficient and reliable power tool service.

Whether you need technical advice, repair, or genuine factory replacement parts, contact the Black & Decker location nearest you.

To find your local service location, refer to the yellow page directory under "Tools—Electric" or call: 1-800-544-6986.

## Accessories

Recommended accessories for use with your saw are available from your local dealer or authorized service center. If you need assistance regarding accessories, please call: **1-800-544-6986**.

**▲WARNING** The use of any non-recommended accessory such as dado sets, molding cutters or abrasive wheels may be hazardous.

## Full Two-Year Home Use Warranty

Black & Decker (U.S.) Inc. warrants this product for two years against any defects in material or workmanship. The defective product will be replaced or repaired at no charge in either of two ways:

The first, which will result in exchanges only, is to return the product to the retailer from whom it was purchased (provided that the store is a participating retailer). Returns should be made within the time period of the retailer's policy for exchanges (usually 30 to 90 days after the sale). Proof of purchase may be required. Please check with the retailer for their specific return policy regarding returns that are beyond the time set for exchanges.

The second option is to take or send the product (prepaid) to a Black & Decker owned or authorized Service Center for repair or replacement at our option. Proof of purchase may be required. Black & Decker owned and authorized service centers are listed under "Tools-Electric" in the yellow pages of the phone directory.

This warranty does not apply to accessories. This warranty gives you specific legal rights and you may have other rights which vary from state to state. Should you have any questions, contact the manager of your nearest Black & Decker Service Center.

This product is not intended for commercial use.

**FREE WARNING LABEL REPLACEMENT:** If your warning labels become illegible or are missing, call 1-800-544-6986 for a free replacement.

Black & Decker (U.S.) Inc.,  
701 E. Joppa Rd.  
Towson, MD 21286 U.S.A.



See 'Tools-Electric'  
– Yellow Pages –  
for Service & Sales





## ***BANC DE SCIE BDTS100 254 MM (10 PO)***

### **MODE D'EMPLOI**



**MERCI D'AVOIR CHOISI BLACK & DECKER !  
VISITEZ [WWW.BLACKANDDECKER.COM/NEWOWNER](http://WWW.BLACKANDDECKER.COM/NEWOWNER)  
POUR ENREGISTRER VOTRE NOUVEAU PRODUIT.**

**AVANT DE RETOURNER CE PRODUIT POUR QUELQUE RAISON QUE CE SOIT,  
COMPOSER LE**

**1-800-544-6986**

AVANT D'APPELER, AYEZ EN MAIN LE N° DE CATALOGUE ET LE CODE DE DATE. DANS LA PLUPART DES CAS, UN REPRÉSENTANT DE BLACK &

DECKER PEUT RÉSOUDRE LE PROBLÈME PAR

TÉLÉPHONE. SI VOUS AVEZ UNE SUGGESTION OU UN COMMENTAIRE, APPELEZ-NOUS. VOS

IMPRESSIONS SONT CRUCIALES POUR BLACK & DECKER.

**CONSERVER CE MODE D'EMPLOI POUR UN USAGE ULTÉRIEUR.**

# TABLE DES MATIÈRES

DIRECTIVES DE SÉCURITÉ IMPORTANTES .....	.27
LIGNES DIRECTRICES EN MATIÈRE DE SÉCURITÉ .....	.27
RÈGLES GÉNÉRALES DE SÉCURITÉ .....	.28
RÈGLES DE SÉCURITÉ SPÉCIFIQUES SUPPLÉMENTAIRES ..	.29
CONTENU DU CARTON .....	.31
DESCRIPTION FONCTIONNELLE .....	.31
ASSEMBLAGE .....	.32
FONCTIONNEMENT .....	.34
ENTRETIEN .....	.39
DÉPANNAGE .....	.40
RÉPARATION .....	.40
ACCESSOIRES .....	.40
GARANTIE .....	.40

## DIRECTIVES DE SÉCURITÉ IMPORTANTES

**▲ AVERTISSEMENT** Lisez et comprenez tous les avertissements et directives d'utilisation avant d'utiliser un outil ou un équipement. Lorsque vous utilisez des outils ou un équipement, des précautions de base en matière de sécurité doivent être suivies afin de réduire le risque de blessure personnelle. Un fonctionnement, un entretien ou une modification inappropriés des outils ou de l'équipement pourraient résulter en de graves blessures ou en des dommages à la propriété. Certaines applications sont conçues pour des outils et de l'équipement spécifiques. Black & Decker recommande fortement NE PAS modifier ce produit ou de NE PAS l'utiliser pour une application autre que celle pour laquelle il a été conçu.

## LIGNES DIRECTRICES EN MATIÈRE DE SÉCURITÉ - DÉFINITIONS

Il est important que vous lisiez et compreniez ce mode d'emploi. Les informations qu'il contient concernent VOTRE SÉCURITÉ et visent à ÉVITER TOUT PROBLÈME. Les symboles ci-dessous servent à vous aider à reconnaître cette information.



**▲ DANGER** indique une situation dangereuse imminente qui, si elle n'est pas évitée, causera la mort ou des graves blessures.

**▲ AVERTISSEMENT** indique une situation potentiellement dangereuse qui, si elle n'est pas évitée, pourrait causer la mort ou de graves blessures.

**▲ ATTENTION** indique une situation potentiellement dangereuse qui, si elle n'est pas évitée, pourrait causer des blessures mineures ou modérées.

Le terme **ATTENTION** utilisé sans le symbole d'alerte à la sécurité indique une situation potentiellement dangereuse qui, si elle n'est pas évitée, peut résulter en des dommages à la propriété.

### CONSERVER CES DIRECTIVES!

### PROPOSITION 65 DE LA CALIFORNIE

**▲ AVERTISSEMENT** certaines poussières produites par les activités de ponçage, de sciage, de meulage, de perçage et autres activités de construction peuvent contenir des produits chimiques pouvant causer le cancer, des anomalies congénitales ou d'autres problèmes liés aux fonctions reproductrices. Voici quelques exemples de ces produits chimiques :

- le plomb contenu dans les peintures à base de plomb;
- la silice cristalline de la brique, du ciment et d'autres produits de maçonnerie ;
- l'arsenic et le chrome provenant du bois traité chimiquement (arséniate de cuivre et de chrome).

Les risques reliés à l'exposition à ces poussières varient selon la fréquence à laquelle l'utilisateur travaille avec ce type de matériaux. Afin de réduire votre exposition à ces produits chimiques : travailler dans un endroit bien ventilé et porter un équipement de sécurité approuvé comme un masque anti-poussières conçu spécialement pour filtrer les particules microscopiques.

- Éviter le contact prolongé avec les poussières produites par les activités de ponçage, sciage, meulage, perçage et autres activités de construction. Porter des vêtements de protection et laver les parties du corps exposées avec une solution d'eau et de savon. Le fait de laisser la poussière pénétrer dans la bouche et les yeux ou de la laisser reposer sur la peau, peut promouvoir l'absorption de produits chimiques nocifs.

**▲ AVERTISSEMENT** l'utilisation de cet outil peut produire et/ou disperser de la poussière, ce qui peut causer des problèmes respiratoires graves et permanents ou d'autres problèmes médicaux. Toujours porter un appareil respiratoire approuvé par la NIOSH/OSHA pour se protéger de la poussière. Diriger les particules loin du visage et du corps.

**▲ ATTENTION** porter un dispositif de protection anti-bruit pendant l'utilisation de l'outil. Dans certaines conditions et selon la durée d'utilisation, le bruit causé par ce produit peut contribuer à une perte auditive.

# RÈGLES GÉNÉRALES DE SÉCURITÉ



## ⚠ AVERTISSEMENT

**LIRE ATTENTIVEMENT TOUTES LES MISES EN GARDE ET DIRECTIVES D'UTILISATION AVANT D'UTILISER CET ÉQUIPEMENT. À défaut de suivre les directives sous-mentionnées, un choc électrique, un incendie, des dommages ou une blessure corporelle grave pourraient survenir.**

## DIRECTIVES DE SÉCURITÉ IMPORTANTES

- 1. POUR SA PROPRE SÉCURITÉ, LIRE LE MODE D'EMPLOI AVANT D'UTILISER L'OUTIL.** En apprenant comment utiliser cet outil, les restrictions, et les risques qui lui sont propres, vous réduirez grandement la possibilité d'accidents et de blessures.
- 2. PORTER DES PROTECTIONS OCULAIRE ET AUDITIVE. TOUJOURS PORTER DES LUNETTES DE SÉCURITÉ.** Les lunettes de vue ne constituent PAS des lunettes de sécurité. UTILISER UN ÉQUIPEMENT DE SÉCURITÉ HOMOLOGUÉ. L'équipement de protection oculaire doit être conforme aux normes ANSI Z87.1. Les protecteurs auditifs doivent être conformes aux normes ANSI S3.19.
- 3. PORTER LES VÊTEMENTS APPROPRIÉS.** Ne pas porter ni vêtement ample, ni gant, ni cravates, ni bague, ni bracelet, ni autre bijou, car ces derniers pourraient s'enchevêtrer dans des pièces mobiles. Le port de chaussures antidérapantes est recommandé. Se couvrir les cheveux s'ils sont longs.
- 4. NE PAS UTILISER CET OUTIL DANS UN ENVIRONNEMENT DANGEREUX.** L'utilisation d'outils électriques dans un endroit humide ou mouillé ou sous la pluie peut provoquer un choc électrique ou une électrocution. Tenir la zone de travail bien éclairée pour éviter de trébucher ou de mettre vos bras, mains et doigts en danger.
- 5. CONSERVER TOUS LES OUTILS ET MACHINES DANS LE MEILLEUR ÉTAT POSSIBLE.** S'assurer que vos outils sont aiguisés et propres afin d'optimiser sécurité et performance. Suivre les consignes de graissage et de changement d'accessoires. Les outils et machines mal entretenus peuvent s'endommager davantage et/ou provoquer des blessures.
- 6. VÉRIFIER QUE LES PIÈCES NE SONT PAS ENDOMMAGÉES.** Avant d'utiliser la machine, vérifiez qu'aucune pièce n'est endommagée. Vérifier l'alignement des pièces mobiles, la présence de grippage des pièces mobiles, de rupture de pièces et tout autre problème pouvant nuire au fonctionnement de l'outil. Un pare-main (ou tout autre pièce) endommagé doit être réparé et remplacé adéquatement. Les pièces endommagées peuvent contribuer à endommager davantage la machine et/ou provoquer des blessures.
- 7. GARDER PROPRE LA ZONE DE TRAVAIL.** Les zones et établis encombrés sont souvent des causes d'accidents.
- 8. ÉLOIGNER LES ENFANTS ET LES VISITEURS.** Votre atelier représente un environnement potentiellement dangereux. Les enfants et visiteurs peuvent être blessés.
- 9. RÉDUIRE LE RISQUE DE DÉMARRAGE ACCIDENTEL.** S'assurer que l'interrupteur se trouve sur la position d'arrêt avant de brancher le cordon d'alimentation. En cas de panne de courant, mettre l'interrupteur sur la position d'arrêt. Un démarrage accidentel peut provoquer des blessures.
- 10. UTILISER LE DISPOSITIF DE PROTECTION.** Vérifier que toutes les protections sont en place, fixées, et qu'elles fonctionnent correctement afin de réduire tout risque de blessure.
- 11. RETIRER LES CLÉS ET LES CLÉS DE RÉGLAGE AVANT DE DÉMARRER LA MACHINE.** Des outils, chutes, et autres débris peuvent être projetés à grande vitesse, provoquant des blessures.
- 12. UTILISER L'OUTIL APPROPRIÉ.** Ne pas forcer un outil ou un accessoire à effectuer un travail pour lequel il n'a pas été conçu. Dans le cas contraire, l'outil peut être endommagé et/ou vous pouvez être blessé.
- 13. UTILISER LES ACCESSOIRES RECOMMANDÉS.** L'utilisation d'accessoires qui n'ont pas été recommandés par Black & Decker est susceptible d'endommager la machine ou de blesser l'utilisateur.
- 14. UTILISER LA RALLONGE ÉLECTRIQUE APPROPRIÉE.** S'assurer que la rallonge est en bon état. Lorsque qu'une rallonge électrique est utilisée, s'assurer d'en utiliser une de calibre suffisamment élevé pour assurer le transport du courant nécessaire au fonctionnement de votre appareil. Un cordon de calibre inférieur causera une chute de tension de ligne et donc une perte de puissance et une surchauffe. Reportez-vous au tableau des rallonges électriques pour connaître le calibre approprié à utiliser selon la longueur de la rallonge et l'intensité nominale de la plaque signalétique. En cas de doute, utiliser le calibre suivant le plus gros. Plus le numéro de calibre est petit, plus le cordon est lourd.
- 15. FIXER LA PIÈCE.** Utiliser des fixations ou un étau pour maintenir l'ouvrage lorsque c'est possible. La perte de contrôle de l'ouvrage peut provoquer des blessures.
- 16. INSÉRER L'OUVRAGE À CONTRE-COURANT DU SENS DE ROTATION DE LA LAME, DE LA FRAISE, OU DE LA SURFACE ABRASIVE.** En insérant l'ouvrage dans l'autre sens, celui-ci serait projeté à grande vitesse.
- 17. NE PAS FORCER LA PIÈCE SUR LA MACHINE.** Dans le cas contraire, l'outil peut être endommagé et/ou vous pouvez être blessé.
- 18. NE PAS TROP TENDRE LES BRAS.** Une perte d'équilibre peut vous faire tomber dans une machine en fonctionnement, et vous pouvez être blessé.
- 19. NE JAMAIS SE TENIR DEBOUT SUR LA MACHINE.** Si l'outil bascule, ou si vous touchez accidentellement l'outil de coupe, vous pouvez être blessé.
- 20. NE JAMAIS LAISSER LA MACHINE FONCTIONNER SANS SURVEILLANCE. ÉTEINDRE L'APPAREIL.** Ne pas laisser la machine tant qu'elle n'est pas complètement arrêtée. Un enfant ou un visiteur pourrait être blessé.
- 21. Éteignez l'appareil et débranchez-le de la source d'alimentation avant de poser ou de retirer tout accessoire, avant d'ajuster ou de modifier les réglages, ou lorsque vous effectuez une réparation. Un démarrage accidentel peut provoquer des blessures.**
- 22. S'ASSURER QUE L'ATELIER NE PRÉSENTE PAS DE DANGER POUR LES ENFANTS EN UTILISANT DES CADENAS, DES INTERRUPTEURS PRINCIPAUX, OU EN RETIRANT LES CLÉS DE DÉMARRAGE.** En débranchant accidentellement une machine, un enfant ou un visiteur pourrait se blesser.
- 23. ÊTRE VIGILANT, SURVEILLER LE TRAVAIL EFFECTUÉ, ET FAIRE PREUVE DE JUGEMENT. NE PAS UTILISER LA MACHINE EN CAS DE FATIGUE OU SOUS L'INFLUENCE DE DROGUES, D'ALCOOL, OU DE MÉDICAMENTS.** Un moment d'inattention, lorsque vous utilisez un outil électrique, peut entraîner des blessures.
- 24. ⚠ AVERTISSEMENT L'UTILISATION DE CET OUTIL PEUT PRODUIRE ET PROPULSER DES POUSSIÈRES OU AUTRES PARTICULES EN SUSPENSION DANS L'AIR, ET NOTAMMENT DE LA POUSSIÈRE DE BOIS, DE LA POUSSIÈRE DE SILICE CRISTALLINE ET D'AMIANTE.** Diriger les particules loin du visage et du corps. Toujours utiliser toujours cet outil dans un endroit bien aéré, et veiller à le dépoussiérer correctement. Utiliser un système de dépoussiérage lorsque c'est possible. L'exposition à la poussière peut provoquer des troubles respiratoires graves et permanents ou d'autres blessures, et notamment une silicose (maladie pulmonaire grave), un cancer, ou encore la mort. Éviter de respirer la poussière, et éviter tout contact prolongé avec la poussière. Le fait de laisser la poussière pénétrer dans la bouche et les yeux ou de la laisser reposer sur la peau, peut promouvoir l'absorption de produits chimiques nocifs. Toujours porter un appareil respiratoire homologué par la NIOSH/OSHA et correctement ajusté pour se protéger de la poussière, et laver les parties du corps exposées avec une solution d'eau et de savon.

# RÈGLES DE SÉCURITÉ SUPPLÉMENTAIRES POUR LES BANCS DE SCIE

**▲ AVERTISSEMENT NÉGLIGER DE SUIVRE CES RÈGLES RISQUE D'ENTRAÎNER DES BLESSURES GRAVES.**

- NE PAS** faire fonctionner cette machine avant qu'elle ne soit entièrement assemblée et installée conformément à ces directives.
- DEMANDEZ CONSEIL À UNE AUTRE PERSONNE QUALIFIÉE** si vous ne maîtrisez pas assez l'utilisation de cette machine.
- SUIVRE TOUS** les codes de câblage et les connexions électriques recommandées.
- UTILISER LES PARE-MAINS CHAQUE FOIS QUE POSSIBLE.** Vérifier qu'ils sont bien en place, fixés et qu'ils fonctionnent correctement.
- L'EFFET DE REBOND EST LE FAIT QUE L'OUVRAGE A NATURELLEMENT TENDANCE À ÊTRE PROJETÉ VERS L'OPÉRATEUR** après avoir heurté ou pincé la lame. L'effet de rebond est dangereux et peut résulter en de graves blessures.  
**POUR ÉVITER L'EFFET DE REBOND :**
  - maintenir la lame affûtée, exempte de rouille ou de résine.
  - garder le guide longitudinal parallèle à la lame de la scie.
  - utiliser un pare-main et un dispositif d'écartement pour toutes les opérations demandant leur utilisation, y compris tout débitage complet.
  - pousser l'ouvrage pour qu'il dépasse de la lame avant la relâche.
  - ne jamais scier en long un ouvrage tordu ou déformé, ou n'ayant pas un bord droit qui permette de le déplacer le long du guide.
  - utiliser des planches en éventail lorsqu'il est impossible d'utiliser le dispositif contre l'effet de rebond.
  - ne jamais scier un gros ouvrage dont on ne peut pas assurer le contrôle.
  - ne jamais utiliser le guide comme pare-main pour un tronçonnage.
  - ne jamais scier un ouvrage à noeud vicieux ou présentant d'autres défauts.
- TOUJOURS UTILISER LES PARE-MAINS, LE COUTEAU SÉPARATEUR, ET LES DOIGTS ANTI-EFFET DE REBOND** chaque fois que possible.
- DÉGAGER LA TABLE DES PIÈCES COUPÉES ET CHUTES** avant de démarrer la scie. Les vibrations de la machine peuvent les entraîner vers la lame de la scie et les projeter. Après la coupe, éteindre la machine. Une fois la lame complètement immobilisée, enlever tous les débris.
- NE JAMAIS DÉMARRER LA MACHINE** avec l'ouvrage contre la machine.
- NE JAMAIS** placer l'ouvrage entre le guide et la fraise à moulurer.
- LA COUPE DE L'OUVRAGE SANS UTILISER DE GUIDE OU DE JAUGE À ONGLET EST APPELÉE COUPE « À MAIN LEVÉE ».** NE JAMAIS effectuer d'opération « à main levée ». Utiliser le guide ou la jauge à onglet pour positionner et guider l'ouvrage.
- TENIR FERMEMENT L'OUVRAGE** contre la jauge à onglet ou le guide.
- L'ACTION DE COUPER COMPLÈTEMENT À TRAVERS L'OUVRAGE EST APPELÉ « DÉBITAGE COMPLET ».** Le sciage en long et la coupe transversale sont des opérations de débitage complet. L'action de couper dans le sens du fil (ou dans le sens de la longueur de l'ouvrage) s'appelle sciage en long. L'action de couper à contrefil (ou en travers de l'ouvrage) est appelée tronçonnage. Utiliser un guide ou un système de guidage pour scier en long. NE PAS utiliser un guide ou un système de guidage pour tronçonner. Utiliser plutôt une jauge à onglet. UTILISER UN/DES POUSSOIR(S) pour scier en long un ouvrage étroit.
- ÉVITER les opérations maladroites et éviter d'avoir les mains mal placées : en glissant soudainement, une main pourrait percuter la lame.
- TENIR LES BRAS, MAINS, et doigts éloignés de la table.
- AUCUNE partie du corps ne doit se trouver dans la trajectoire de la lame de la scie.
- NE PAS LAISSER LES MAINS AUTOUR de la lame ou sur celle-ci.
- NE JAMAIS tenter de libérer une lame bloquée sans avoir éteint la machine au préalable.
- SOUTENIR CORRECTEMENT les ouvrages LONGS OU LARGES.**
- Ne jamais effectuer d'opération de traçage, d'assemblage, ou de réglage sur la table/l'espace de travail lorsque la machine est en marche.
- ÉTEINDRE L'APPAREIL ET** le débrancher de la source d'alimentation avant de poser ou de retirer tout accessoire, avant d'ajuster ou de modifier les réglages, ou lors d'une réparation.
- ÉTEINDRE LA MACHINE,** la débrancher, et nettoyer la table/l'espace de travail avant de laisser la machine. Verrouiller l'interrupteur en position d'arrêt afin d'éviter toute utilisation non autorisée.
- DES INFORMATIONS SUPPLÉMENTAIRES** (i.e. une vidéo sur la sécurité), indiquant comment utiliser des outils électriques correctement et en toute sécurité, sont disponibles auprès du Power Tool Institute, 1300 Sumner Avenue, Cleveland, OH 44115-2851, États-Unis ([www.powertoolinstitute.com](http://www.powertoolinstitute.com)). Vous pouvez également vous procurer des informations auprès du National Safety Council, 1121 Spring Lake Drive, Itasca, IL 60143-3201, États-Unis. Veuillez vous reporter à la norme ANSI O1.01 de l'American National Standards Institute concernant les machines de travail du bois, ainsi que la réglementation OSHA 1910.213 du département américain du travail.

**CONSERVER CES DIRECTIVES.  
Les consulter souvent  
et les utiliser pour donner des directives aux autres.**

## CONNEXIONS ÉLECTRIQUES

Un circuit électrique séparé doit être utilisé pour vos machines. Ce circuit doit utiliser un câble de calibre 12 au minimum et doit être protégé par un fusible temporisé de 20 A. Si vous utilisez une rallonge électrique, n'utiliser que des rallonges à 3 fils pourvues d'une fiche de mise à la terre à 3 lames et un réceptacle correspondant à la fiche de la machine. Avant de brancher la machine sur le secteur, s'assurer que le ou les interrupteurs sont en position d'arrêt et veiller à ce que le courant électrique ait bien les mêmes caractéristiques que celles indiquées sur la machine. Tous les branchements doivent établir un bon contact. Si la machine fonctionne à basse tension, elle peut être endommagée.

**⚠ DANGER NE PAS EXPOSER LA MACHINE À LA PLUIE NI L'UTILISER DANS UN ENDROIT HUMIDE.**

## CARACTÉRISTIQUES TECHNIQUES DU MOTEUR

Votre machine est conçue pour être alimentée par un courant alternatif de 120 volts et 60 Hz. Avant de brancher la machine à la source d'alimentation, s'assurer que l'interrupteur est en position d'arrêt.

## DIRECTIVES DE MISE À LA TERRE

**⚠ DANGER CETTE MACHINE DOIT ÊTRE MISE À LA TERRE LORS DE SON UTILISATION AFIN DE PROTÉGER L'UTILISATEUR CONTRE TOUT CHOC ÉLECTRIQUE.**

### 1 Pour toutes les machines mises à la terre, branchées à un cordon d'alimentation :

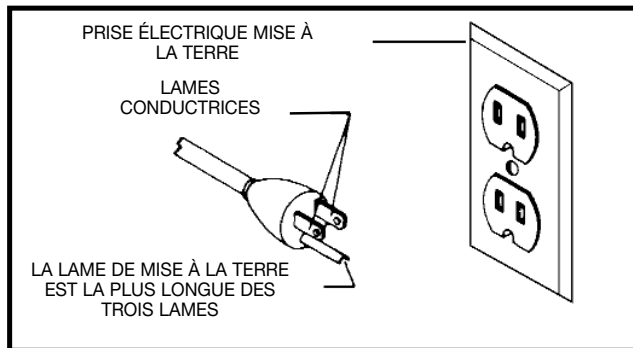
En cas de dysfonctionnement ou de panne, la mise à la terre permet un cheminement de moindre résistance pour le courant électrique afin de réduire le risque de choc électrique. Cette machine est munie d'un cordon d'alimentation doté d'un conducteur de mise à la terre d'équipement et d'une fiche de mise à la terre. La fiche doit être branchée sur une prise de courant correspondante qui est installée et mise à la terre conformément à tous les codes et à toutes les ordonnances à l'échelle locale.

Ne pas modifier la fiche fournie; si elle ne s'insère pas dans la prise de courant, faire installer une prise appropriée par un électricien professionnel.

Si le conducteur de mise à la terre d'équipement n'est pas correctement connecté, ceci peut provoquer un choc électrique. Le conducteur de mise à la terre d'équipement est le conducteur avec isolation qui a une surface extérieure verte à rayures jaunes (ou sans). S'il est nécessaire de faire réparer ou remplacer le cordon électrique ou la fiche, ne pas connecter le conducteur de mise à la terre d'équipement à une borne sous tension.

Vérifier auprès d'un électricien ou d'un personnel de réparation professionnels si les directives de mise à la terre ne sont pas parfaitement comprises, ou en cas de doute sur le fait que la machine soit correctement mise à la terre ou non.

Utiliser uniquement une rallonge à 3 fils pourvue d'une fiche de mise à la terre à 3 lames et une prise à 3 conducteurs correspondant à la fiche de la machine, comme le montre la Fig. A.



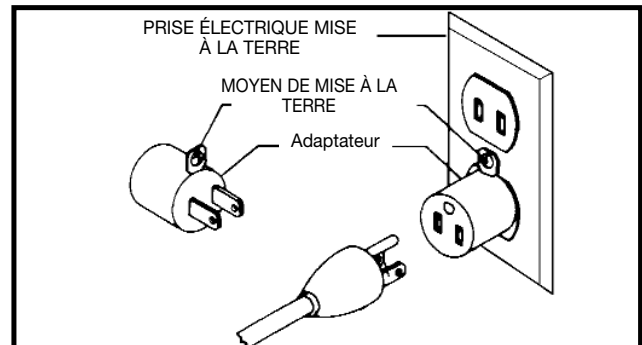
Réparer ou remplacer immédiatement le cordon s'il est endommagé ou usé.

### 2. Pour les machines mises à la terre et branchées à un cordon d'alimentation utilisées sur un circuit d'alimentation de régime nominal inférieur à 150 V :

Si la machine est utilisée sur un circuit dont la prise de courant ressemble à celle de la Fig. A, la machine aura alors une fiche de mise à la terre semblable à celle de la Fig. A. Un adaptateur temporaire, qui ressemble à celui de la Fig. A, peut être utilisé pour connecter cette fiche à une prise à 2 conducteurs, comme le montre la Fig. B, s'il n'existe aucune prise de courant correctement mise à la terre. L'adaptateur temporaire ne doit être utilisé que jusqu'à ce qu'un électricien qualifié puisse installer une prise électrique correctement mise à la terre. L'oreille rigide et la cosse de couleur verte (et tout ensemble semblable) dépassant de l'adaptateur doivent être connectées à une mise à la terre permanente, telle qu'une prise correctement mise à la terre. Chaque fois que l'adaptateur est utilisé, il doit être maintenu en place par une vis métallique.

**REMARQUE : Au Canada, l'utilisation d'un adaptateur temporaire n'est pas autorisée par le Code électrique canadien. NOTE AU RÉDACTEUR : SI RACCORDÉ EN PERMANENCE, INSÉRER RÈGLE UL987 72.1.1.A.4 EN NOTE 4. VOIR TEXTE PAGE 6 CI-DESSOUS.**

**⚠ DANGER DANS TOUS LES CAS, S'ASSURER QUE LA PRISE DE COURANT EN QUESTION EST CORRECTEMENT MISE À LA TERRE. SI VOUS N'EN ÊTES PAS SÛR, DEMANDEZ À UN ÉLECTRICIEN PROFESSIONNEL DE VÉRIFIER LA PRISE.**



# RALLONGES ÉLECTRIQUES

**AVERTISSEMENT** Utiliser les rallonges électriques appropriées. S'assurer que la rallonge est en bon état et qu'il s'agit d'une rallonge à 3 fils avec une fiche de mise à la terre à 3 lames et prise de courant compatible avec la fiche de la machine. Lorsque qu'une rallonge électrique est utilisée, s'assurer d'en utiliser une de calibre suffisamment élevé pour assurer le transport du courant de la machine. Un cordon de calibre inférieur causera une chute de tension de ligne et donc une perte de puissance et une surchauffe. La Fig D-1 montre le calibre correct à utiliser selon la longueur de la rallonge. En cas de doute, utiliser le calibre suivant le plus gros. Plus le numéro de calibre est petit, plus le cordon est lourd.

RALLONGE ÉLECTRIQUE DE CALIBRE MINIMUM			
CALIBRES RECOMMANDÉS POUR UNE UTILISATION AVEC DES MACHINES ÉLECTRIQUES D'ÉTABLI			
Ampère Régime nominal	Volts	Longueur totale de la corde en pieds	Calibre de Rallonge
0-6	120	jusqu'à 25	18 AWG
0-6	120	25-50	16 AWG
0-6	120	50-100	16 AWG
0-6	120	100-150	14 AWG
6-10	120	jusqu'à 25	18 AWG
6-10	120	25-50	16 AWG
6-10	120	50-100	14 AWG
6-10	120	100-150	12 AWG
10-12	120	jusqu'à 25	16 AWG
10-12	120	25-50	16 AWG
10-12	120	50-100	14 AWG
10-12	120	100-150	12 AWG
12-16	120	jusqu'à 25	14 AWG
12-16	120	25-50	12 AWG
12-16	120	SUPÉRIEUR À 50 PIEDS) NON RECOMMANDÉ	

Fig D-1

## DESCRIPTION FONCTIONNELLE

### AVANT-PROPOS

Le modèle BDTS100 est un banc de scie de 254 mm (10 po) conçu pour vous offrir une performance de haute qualité avec une profondeur de coupe jusqu'à 76 mm (3 po) à 90°, et 51 mm (2 po) à 45°, pour une coupe nette des pièces de taille standard. Le BDTS100 inclut une scie avec moteur de 13 A et 120 V, un socle métallique, un guide longitudinal, une jauge à onglet, un pare-main de lame transparent avec couteau séparateur et doigts anti-effet de rebond, une lame à pointes carburées de 254 mm (10 po), un insert de table et des clés de lame.

**REMARQUE : LA PHOTO DE LA COUVERTURE DU MODE D'EMPLOI ILLUSTRE LE MODÈLE DE PRODUCTION ACTUEL. LES AUTRES ILLUSTRATIONS DE CE MODE D'EMPLOI NE SONT PRÉSENTES QU'À TITRE INDICATIF ET IL EST POSSIBLE QUE LA COULEUR, LES ÉTIQUETTES, OU LES ACCESSOIRES, QUI ONT UNIQUEMENT POUR BUT D'ILLUSTRER LA TECHNIQUE, DIFFÉRENT DES CARACTÉRISTIQUES RÉELLES DE CE MODÈLE.**

## CONTENU DU CARTON

### PIÈCES POUR SCIE D'ÉTABLI MOTORISÉE

La Fig. 1 illustre la scie retirée de la boîte. Les Fig. 2 et 3 illustrent les éléments fournis avec la scie. La Fig. 4 illustre les éléments fournis pour le socle UNIQUEMENT.

### Pièces de la Fig. 2

1. Guide longitudinal
2. Assemblage du couteau séparateur et du pare-main
3. Poignée de blocage pour le guide longitudinal
4. Volant pour lever ou baisser la lame
5. Jauge à onglet
6. Palier support du couteau séparateur
7. Support du couteau séparateur
8. Poignée du volant servant à lever ou baisser la lame
9. Support de la jauge à onglet
10. Attache à ressort du support de la jauge à onglet
11. Clé de la lame

### Matériel de la Fig. 3

1. Tête de vis cylindrique M6x de 1 x 55 mm (1)
2. Tête de vis hexagonale de 1/4-20 x 2-1/2 po (1)
3. Tête de vis hexagonale M6x de 1 x 20 mm (1)
4. Tête de vis hexagonale de 1/4-20 x 1/2 po (2)
5. Tête de vis plate M6x de 1 x 12 mm (1)
6. Tête de vis cylindrique M4x de 0,7 x 10 mm (1)
7. Tête de vis cylindrique M4x de 0,2 x 10 mm (4)
8. Écrou hexagonal M8x de 1,25 (1)
9. Écrou à oreilles M6x1 (1)
10. Écrou hexagonal M4.7 (1)
11. Rondelle plate M6.4 (3)
12. Rondelle à denture intérieure de 6,35 mm [1/4 po] (1)
13. Rondelle à denture extérieure de 6,35 mm [1/4 po] (5)
14. Rondelle plate de 4,75 mm [3/16 po] (4)
15. Rondelle plate à denture extérieure de 4,75 mm [3/16 po] (1)

## (Fig. 4) Pièces du socle

1. Patte (4)
2. Rondelle plate de 9,52 mm [3/8 po] servant à monter la scie sur le socle et à assembler le socle (24)
3. Pied (4)
4. Écrou hexagonal M8 de 1,25 mm servant à monter la scie sur le socle et à assembler le socle (20)
5. Vis hexagonale M8x de 1,25 x 45 mm servant à monter la scie sur le socle (4)
6. Boulon de carrosserie M8x de 1,25 x 20 mm servant à assembler le socle (16)
7. Supports supérieurs avant et arrière de 469,9 mm [18-1/2 po] (2)
8. Supports supérieurs latéraux de 431,8 mm [17 po] (2)
9. Supports inférieurs avant et arrière de 558,8 mm [22 po] (2)
10. Supports inférieurs latéraux de 517,52 mm [20-3/8 po] (2)

## DÉSEMBALLAGE ET NETTOYAGE

Désemballer soigneusement la machine et toutes les pièces de ou des emballage(s) d'expédition. Retirer le revêtement protecteur de toutes les surfaces non peintes. Le revêtement peut être retiré avec un chiffon doux humidifié avec du kérosène (ne pas utiliser d'acétone, d'essence ou de diluant à laque). Après nettoyage, couvrir les surfaces non peintes d'une cire à parquets d'usage domestique de bonne qualité.

# ASSEMBLAGE

## OUTILS NÉCESSAIRES POUR L'ASSEMBLAGE

(Aucun n'est fourni)

\* Tournevis à tête cruciforme

\* Clé de 13 mm pour les boulons du socle

\* Clé de 10 mm pour les boulons d'assemblage du couteau séparateur

\* Règle droite et/ou équerre de charpente pour les réglages

## DUREE ESTIMEE POUR L'ASSEMBLAGE : 1 heure

## Surfaces de levage et de support pour une scie SANS SOCLE

**⚠ AVERTISSEMENT** LA SCIE DOIT ÊTRE CORRECTEMENT FIXÉE SUR UNE SURFACE DE SUPPORT. DE MÊME, LE TROU LAISSANT PASSER ET ENLEVANT LA SCIURE EST NÉCESSAIRE POUR EMPÊCHER LA SCIURE DE S'ACCUMULER AUTOUR DU MOTEUR, PROVOQUANT UN RISQUE D'INCENDIE ET/OU L'ENDOMMAGEMENT DU MOTEUR.

**⚠ AVERTISSEMENT** DÉBRANCHER LA MACHINE DE LA SOURCE D'ALIMENTATION.

La scie doit être assez haute pour permettre à la sciure de tomber sous la scie au lieu de s'accumuler autour du moteur. Positionner les quatre trous de montage situés sur la base du coffret de la scie (dont deux sont montrés en (A) sur la Fig. 4A) sur le support utilisé, quel qu'il soit. Fixer ensuite la scie fermement sur les supports. La scie peut être bloquée en fixant le socle dans les trous de montage à l'aide du matériel adéquat (non fourni).

**⚠ AVERTISSEMENT** LE SUPPORT DE LA SCIE DOIT ÊTRE STABLE ET CAPABLE DE SUPPORTER 136 KG (300 LIVRES). Il est également possible de construire un simple support en hauteur, comme le montre la Fig. 4B.

**⚠ AVERTISSEMENT** UTILISER DU CONTREPLAQUÉ DE BONNE QUALITÉ ET D'UNE ÉPAISSEUR MINIMUM DE 19,05 MM (3/4 PO). NE PAS CONSTRUIRE DE PLANCHE DE MONTAGE EN AGGLOMÉRÉ CAR L'AGGLOMÉRÉ SE FEND FACILEMENT.

**⚠ AVERTISSEMENT** UN TROU DOIT ÊTRE EFFECTUÉ SUR CE SUPPORT POUR PERMETTRE À LA SCIURE DE TOMBER.

Aligner la scie à la surface de support et marquer l'emplacement de quatre trous de 7,94 mm (5/16 po) à percer (Fig. 4B).

**⚠ AVERTISSEMENT** S'ASSURER QU'IL Y A AU MOINS 76,2 MM (3 PO) DES QUATRE CÔTÉS DE LA BASE.

Poser la scie à l'écart, puis percer des trous à l'emplacement de ces marques. Marquer l'emplacement d'un carré de 27,94 ou 30,48 cm (11 ou 12 po) de côté, au centre des quatre trous de montage. Couper et retirer ce carré (Fig. 4B). Pour élever la surface de support, mesurer deux 2 x 4 (A, Fig. 4B) sur la largeur de deux côtés opposés de la surface de support. Fixer la surface de support sur les arêtes étroites des 2 x 4 (comme indiqué sur la Fig. 4B) à l'aide de vis à bois (non fournies), à trois endroits au moins sur chaque côté (B, Fig. 4B).

Fixer la scie sur la surface en insérant le matériel adéquat (non fourni) à travers les trous de montage situés sur la scie, et dans les trous précédemment percés. Pendant l'utilisation de la scie, retirer régulièrement la sciure qui s'est accumulée sous la scie.



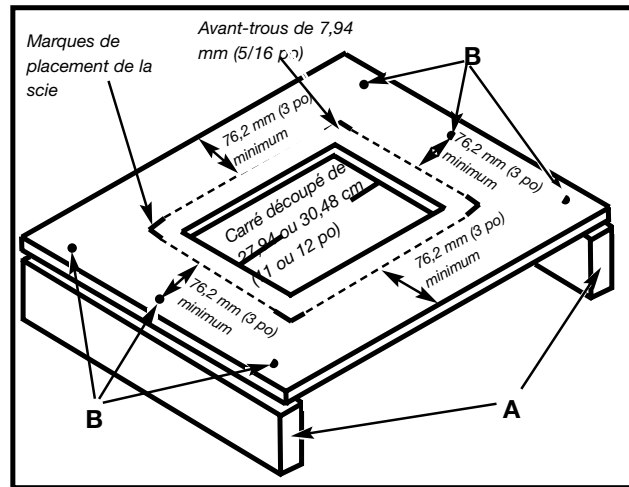


Fig. 4B

## ASSEMBLAGE DU SOCLE

1. Assembler le socle comme montré par la fig. 4c, à l'aide des boulons de carrosserie m8x de 1,25 x 20 mm, des rondelles plates de 9,52 mm (3/8 po) et des écrous hexagonaux m8x de 1,25. Aligner les trous des pattes du socle (f) avec les trous des supports. insérer le boulon de carrosserie dans le trou de la patte et dans le trou du support, mettre une rondelle plate sur le boulon de carrosserie et visser un écrou hexagonal sur le boulon de carrosserie. Répéter ce procédé pour les 15 autres trous des pattes et supports.

**REMARQUE : ne pas trop serrer le matériel pour un réglage futur.**

Des lettres figurent sur les supports du socle pour faciliter l'assemblage :

- a – supports supérieurs avant et arrière
- b – supports supérieurs latéraux
- c – supports inférieurs latéraux
- d – supports inférieurs avant et arrière

2. Fixer les pieds en caoutchouc (e, fig. 4c) sur la partie inférieure de chaque patte (f).

**REMARQUE :** Chaque pied en caoutchouc possède des trous pour monter le socle sur la surface au sol si nécessaire.

## SCIE SUR SOCLE

1. Tourner la table de la scie face en bas sur un morceau de carton pour protéger la surface de la table. Placer le socle tête en bas sur la scie et aligner les quatre trous du socle avec les trous de montage de la scie.
2. Placer une rondelle plate de 9,52 mm (3/8 po) sur une tête de vis hexagonale M8x1 de 25 x 45 mm. Insérer la tête de vis hexagonale dans le trou de montage de la scie et dans le trou de montage du socle. Placer une autre rondelle plate de 9,52 mm (3/8 po) sur la tête de vis hexagonale et visser un écrou hexagonal M8x de 1,25 sur la vis, sans serrer trop fort. Répéter ce procédé pour les trois autres trous.
3. Relever la scie à la verticale, comme le montre la Fig. 4D (ici, la scie est montrée complètement assemblée).
4. Pousser le sommet de la scie vers le bas de façon à ce que les pattes du socle s'ajustent en fonction de la surface du sol. Serrer fermement tout le matériel.

## FIXATION DU VOLANT SERVANT À RÉGLER LA HAUTEUR DE LA LAME

1. Insérer une tête de vis cylindrique M6x de 1 x 55 mm (D, Fig. 5) dans la poignée (E). Fixer la poignée (E) sur le volant (A) en vissant la vis (D) sur le volant dans le sens des aiguilles d'une montre.
2. Fixer le volant (A, Fig. 6) sur l'arbre (B). Aligner la partie plate de l'intérieur du volant avec la partie plate de l'arbre.
3. Serrer le volant (A, Fig. 7) sur l'arbre à l'aide d'une tête de vis plate M6x de 1 x 12 mm (C).

## FIXATION DE L'ENSEMBLE PARE-MAIN/COUTEAU SÉPARATEUR

**⚠ AVERTISSEMENT** DÉBRANCHER LA MACHINE DE LA SOURCE D'ALIMENTATION.

**⚠ AVERTISSEMENT** ALIGNER CORRECTEMENT L'ENSEMBLE PARE-MAIN/COUTEAU SÉPARATEUR AVEC LA LAME DE LA SCIE POUR ÉVITER L'EFFET DE REBOND.

1. Positionner la lame à angle droit (90°) par rapport à la table puis la verrouiller en place.
2. Fixer le palier support du couteau séparateur (A, Fig. 9) sur le support du couteau séparateur (B) à l'aide de deux têtes de vis hexagonales de 1/4-20 x 1/2 po (C) et deux rondelles à denture extérieure de 1/4 po (D).

**REMARQUE : Ne pas trop serrer les vis pour un réglage futur.**

- Placer la tête de vis hexagonale de 1/4-20 x 2 po (G, Fig. 10). Placer la rondelle à denture intérieure de 1/4 po (O), la rondelle plate M6.4 (P) et la rondelle à denture extérieure de 1/4 po (R) sur la vis (G).
- Positionner l'extrémité en retrait (E, Fig. 11) du support du couteau séparateur (B) contre l'extrémité de la tige pivot (F), puis la fixer en utilisant l'assemblage de **L'ÉTAPE 3**.

**REMARQUE : NE PAS TROP SERRER LE MATÉRIEL POUR UN RÉGLAGE FUTUR.**

- Positionner le couteau séparateur (H, Fig. 13) contre le palier support du couteau séparateur, en s'assurant que les deux protubérances (K) du palier support du couteau séparateur sont à l'intérieur de la fente du couteau séparateur (H).
- Fixer le couteau séparateur (H, Fig. 14) sur le palier support du couteau séparateur (B). Placer une rondelle à denture extérieure de 1/4 po et une rondelle plate M6.4 sur une tête de vis hexagonale M6x de 1 x 20 mm (L).
- Insérer la vis (L, Fig. 14) dans le palier support du couteau séparateur (C) et dans le couteau séparateur (H). Placer une rondelle plate M6.4 et une rondelle à denture externe de 1/4 po sur la vis (L). Visser un écrou à oreilles M6x1 (M, Fig. 15) sur la vis (L, Fig. 15).

**REMARQUE :** Avant de serrer l'écrou à oreille (M, Fig. 15), s'assurer de laisser un écart d'au moins 3,18 mm (1/8 po) entre le bord inférieur du couteau séparateur (N) et la surface supérieure de la table (P) et que les protubérances (K) se trouvent à l'intérieur de la fente de l'assemblage du couteau séparateur (H).

- Utiliser une règle droite pour voir si le couteau séparateur (H, Fig. 16) est aligné avec la lame de la scie (R). Si un réglage est nécessaire, il est possible de déplacer et de tourner le couteau séparateur (H) vers la droite ou la gauche.
- Une fois que le couteau séparateur est correctement aligné avec la lame de la scie, serrer fermement les vis (C) et (G) (Fig. 17).

## JAUGE À ONGLET

La jauge à onglet est livrée déjà assemblée et fournie avec une barre à rainure en T (A, Fig. 18) insérée dans l'une des deux rainures en T de la jauge à onglet (B) situées sur le dessus de la table. La rainure en T empêche la jauge à onglet de tomber lorsqu'elle dépasse l'avant de la table lors du tronçonnage d'ouvrages très larges.

## FIXATION DU SUPPORT DE LA JAUGE À ONGLET

**⚠ AVERTISSEMENT** DÉBRANCHER LA MACHINE DE LA SOURCE D'ALIMENTATION.

- Fixer l'attache à ressort (E, Fig. 19) sur le support de la jauge à onglet (A) à l'aide d'une tête de vis cylindrique M4x de 7 x 10 mm (F), d'une rondelle à denture extérieure de 3/16 po (B), et d'un écrou hexagonal M4x.7.  
**REMARQUE :** L'écrou hexagonal (G, Fig. 20) s'insérera dans l'enfoncement à l'arrière du support de la jauge à onglet (A, Fig. 19) pour garder l'attache à ressort (E) fermement fixée sur le support de la jauge à onglet.
- Fixer le support de la jauge à onglet (A, Fig. 21) sur le côté gauche du coffret de la scie, à l'aide des quatre vis M4x de 2 x 10 mm (B, Fig. 22) et des rondelles plates de 3/16 po (C) depuis l'intérieur du coffret de la scie.
- La Fig. 23 illustre la jauge à onglet (D) insérée dans le support.

## ASSEMBLAGE DU GUIDE LONGITUDINAL

- Visser l'écrou hexagonal M8x de 1,25 (A, Fig. 24) à mi-chemin sur le montant de la poignée (B).
- Visser la poignée (B, Fig. 24) dans le trou taraudé (C) de la came du guide (D). Serrer fermement l'écrou hexagonal (A, Fig. 25) contre la came (D).
- Le guide longitudinal est généralement posé sur le côté droit de la table de la scie. Soulever la poignée de blocage (B, Fig. 26) et positionner le guide sur la table. Pousser la poignée vers le bas (B, Fig. 26) pour verrouiller le guide en place.

# FONCTIONNEMENT

## COMMANDES ET RÉGLAGES OPÉRATIONNELS

### DÉMARRAGE ET ARRÊT DE LA SCIE

L'interrupteur marche/arrêt (A, Fig. 27) est situé à l'avant du coffret de la scie. Pour mettre la scie sous tension, déplacer l'interrupteur (A) vers le haut en position de marche. Pour éteindre la scie, déplacer l'interrupteur (A) vers le bas en position d'arrêt.

**⚠ AVERTISSEMENT** S'ASSURER QUE L'INTERRUPTEUR SE TROUVE SUR LA POSITION D'ARRÊT AVANT DE BRANCHER LE CORDON D'ALIMENTATION. EN CAS DE PANNE DE COURANT, METTRE L'INTERRUPTEUR SUR LA POSITION D'ARRÊT. UN DÉMARRAGE ACCIDENTEL PEUT PROVOQUER DES BLESSURES.

## VERROUILLER L'INTERRUPTEUR EN POSITION D'ARRÊT

**IMPORTANT :** Lorsque l'outil n'est pas utilisé, l'interrupteur doit être verrouillé en position d'arrêt afin d'empêcher toute utilisation non autorisée. Pour verrouiller l'outil, saisir la bascule de l'interrupteur (B) et la retirer de l'interrupteur (Fig. 28). Une fois la bascule de l'interrupteur (B) retirée, l'interrupteur ne pourra pas fonctionner. Cependant, si la bascule de l'interrupteur est retirée lorsque la scie est en marche, il sera possible d'éteindre la machine mais pas de la redémarrer sans réinsérer la bascule de l'interrupteur (B).

## RÉGLAGE DE LA HAUTEUR DE LA LAME

Pour régler la hauteur de la lame de la scie, tourner le volant (A, Fig. 29). Tourner le volant dans le sens des aiguilles d'une montre abaisse la lame ; tourner le volant dans le sens inverse des aiguilles d'une montre élève la lame.

## RÉGLAGE DE L'INCLINAISON DE LA LAME

Pour incliner la lame de la scie, desserrer la poignée de blocage (A)

Fig. 30 et faire bouger le volant (B) jusqu'à ce que la lame soit inclinée selon l'angle désiré. Serrer fermement la poignée de blocage (A).

**REMARQUE :** La poignée de blocage (A) est à ressort. Retirer la poignée (A) et la repositionner sur le montant dentelé situé en dessous de la poignée.

**▲ AVERTISSEMENT** LA POIGNÉE DE BLOCAGE D'INCLINAISON DE LA LAME (A) DOIT ÊTRE VERROUILLÉE PENDANT TOUTES LES OPERATIONS DE COUPE.

## RÉGLAGES DES BUTÉES FIXES À 90 ET 45 DEGRÉS

La scie est équipée de butées fixes pour un positionnement rapide et précis de la lame de la scie à 90 et 45 degrés par rapport à la table.

**▲ AVERTISSEMENT** DÉBRANCHER LA MACHINE DE LA SOURCE D'ALIMENTATION.

### POUR RÉGLER UNE BUTÉE FIXE À 90°

1. Lever la lame de la scie à sa hauteur maximum.
2. Desserrer la poignée de blocage de l'inclinaison de la lame (A, Fig. 30), déplacer le mécanisme d'inclinaison de la lame (B) le plus à gauche possible, et serrer la poignée de blocage de l'inclinaison de la lame (A).
3. Placer une équerre (A, Fig. 31) sur la table, une de ses extrémités contre la table, et vérifier que la lame est à 90° par rapport à la table. Si ce n'est pas le cas, desserrer la vis (B, Fig. 31) sur quelques tours, puis déplacer le mécanisme d'inclinaison de la lame jusqu'à ce que la lame soit à 90° par rapport à la table. Serrer la poignée de blocage de l'inclinaison de la lame (A, Fig. 30) et serrer la vis (B, Fig. 31) jusqu'au bout.

### POUR RÉGLER UNE BUTÉE FIXE À 45 DEGRÉS

1. Lever la lame de la scie à sa hauteur maximum.
2. Desserrer la poignée de blocage de l'inclinaison de la lame (A, Fig. 31), déplacer le mécanisme d'inclinaison de la lame (B) le plus à droite possible, et serrer la poignée de blocage de l'inclinaison de la lame (A).
3. Placer une équerre (A, Fig. 32) sur la table, une de ses extrémités contre la table, et vérifier que la lame est à 45° par rapport à la table. Si ce n'est pas le cas, desserrer la vis (C, Fig. 32) sur quelques tours, puis déplacer le mécanisme d'inclinaison de la lame (B, Fig. 30) jusqu'à ce que la lame soit à 45° par rapport à la table. Serrer la poignée de blocage de l'inclinaison de la lame (A, Fig. 30) et serrer la vis (C, Fig. 32) jusqu'au bout.

## UTILISATION ET RÉGLAGE DU GUIDE LONGITUDINAL

1. Pour déplacer le guide longitudinal (A, Fig. 33) le long de la table, soulever le levier de blocage du guide (B), faire glisser le guide sur la table à l'endroit souhaité, puis pousser le levier de blocage du guide vers le bas (B).
2. Le pointeur indique la distance entre le guide et la lame de la scie. Si un réglage est nécessaire, desserrer la vis (C, Fig. 37) et effectuer le réglage.

**IMPORTANT: Le guide longitudinal doit être correctement aligné à la fente de la jauge à onglet pour éviter l'effet de rebond en sciant en long.**

3. À sa sortie de l'usine, la lame est parallèle à la fente de la jauge à onglet. Le guide doit être parallèle à la fente de la jauge à onglet afin d'assurer une précision de travail et d'éviter l'effet de rebond lors d'une opération de sciage en long. Pour vérifier l'alignement :
4. Positionner le guide à côté de la fente de la jauge à onglet (Fig. 33). Fixer le guide à la table en poussant le levier de blocage (B) vers le bas. Le bord du guide doit être parallèle à la fente de la jauge à onglet.
5. Si un réglage est nécessaire, desserrer les deux vis (D, Fig. 33) et lever le levier de blocage (B). En tenant le support du guide (F) fermement vers l'avant de la scie, déplacer l'arrière du guide (A) jusqu'à ce qu'il soit parallèle à la fente de la jauge à onglet. Serrer deux vis (D) puis pousser le levier de blocage (B) vers le bas.
6. Régler le serrage du guide (A, Fig. 33) en levant le levier de blocage (B) et en tournant la vis (E) dans le sens des aiguilles d'une montre pour augmenter, ou dans le sens inverse pour diminuer la force de serrage du guide.

**⚠ AVERTISSEMENT DÉBRANCHER LA MACHINE DE LA SOURCE D'ALIMENTATION.**

## RÉGLAGE DE L'INSERT DE TABLE

1. S'assurer que l'avant de l'insert de table (A, Fig. 33A) est au ras, ou légèrement au-dessous, de la surface de la table (B), et que l'arrière est au ras, ou légèrement au-dessus, de la surface de la table.
2. Si l'insert de table est au-dessus de la surface de la table, serrer les deux vis de l'insert de table (C, Fig. 33A) pour l'abaisser.

## UTILISATION DE LA JAUGE À ONGLET ET RÉGLAGES

Pour tronçonner (la lame est à 90° par rapport à la table), la jauge à onglet peut être utilisée dans l'une des deux fentes de la table. Pour tronçonner en biseau (lame inclinée), utiliser la jauge à onglet dans la fente droite de la table uniquement, de façon à ce que la lame soit inclinée loin de la jauge à onglet et de vos mains.

Pour utiliser la jauge à onglet, desserrer la poignée de verrouillage (E)

Fig. 34, puis tourner la jauge à onglet selon l'angle désiré

## AJUSTER LA LAME PARALLÈLEMENT AUX FENTES DE LA JAUGE À ONGLET

A l'usine, la lame a été ajustée parallèlement aux fentes de la jauge à onglet. Pour garantir une précision de coupe et permettre d'éviter l'effet de rebond, vérifier ce réglage.

**⚠ AVERTISSEMENT DÉBRANCHER LA MACHINE DE LA SOURCE D'ALIMENTATION.**

Pour effectuer un réglage :

1. Lever la lame au maximum et régler la lame de façon à ce qu'elle se trouve à 90° par rapport à la table.
2. Sélectionner une dent de la lame qui se trouve sur la gauche. Marquer cette dent à l'aide d'un crayon ou d'un marker.
3. Placer une équerre combinée (A, Fig. 35) contre la fente de la jauge à onglet et ajuster la lame (B) de l'équerre jusqu'à ce qu'elle touche la dent marquée.
4. Tourner la lame et vérifier cette même dent marquée à l'arrière de la table de la scie (Fig. 36)
5. Si les mesures (Fig. 35 et 36) ne sont pas identiques à l'avant et à l'arrière, vous pouvez ajuster la lame. Commencer par desserrer les écrous situés au-dessous des quatre vis (C, Fig. 37) de la table. Puis desserrer les vis (C). Déplacer soigneusement la lame de la scie jusqu'à ce qu'elle soit parallèle à la fente de la jauge à onglet. Puis serrer fermement quatre écrous sous la table ainsi que les quatre vis (C, Fig. 37).

**REMARQUE :** S'il n'est pas possible d'effectuer un Réglage suffisant en desserrant les vis (C, Fig. 37), desserrer la vis (D, Fig. 37) nécessaire pour pouvoir effectuer le réglage.

## CHANGEMENT DE LA LAME

**⚠ AVERTISSEMENT DÉBRANCHER LA MACHINE DE LA SOURCE D'ALIMENTATION. UTILISER UNIQUEMENT DES LAMES DE 254 MM (10 PO) DE DIAMÈTRE CONÇUES POUR FONCTIONNER À UN RÉGIME DE 4700 TR/MIN AU MOINS. UTILISER UNIQUEMENT DES LAMES À TROUS D'AXE DE 15,88 MM (5/8 PO).**

1. Lever la lame de la scie au maximum puis retirer l'insert de table (A, Fig. 38).
2. Placer une pièce de bois (B, Fig. 38) sur la table et contre la lame, de façon à ce que la dent de la scie puisse « saisir » le bois pour empêcher la lame de tourner. Retirer l'écrou d'axe (C) à l'aide de la clé de retrait de la lame (D). Tourner l'écrou (C) dans le sens inverse des aiguilles d'une montre pour le retirer. Retirer la bride externe de la lame (E) et la lame de la scie (F).
3. Suivre la procédure inverse pour installer la nouvelle lame.

## UTILISATION DE LA MACHINE

Les opérations courantes de sciage comprennent le sciage en long et le tronçonnage, ainsi que quelques autres opérations standard de nature fondamentale. Comme pour toute machine électrique, le fonctionnement et l'utilisation de cette machine comporte un certain nombre de risques. En utilisant cette machine avec toute la prudence requise en ce qui concerne les mesures de sécurité, le risque de blessures corporelles en sera considérablement réduit. Au contraire, si les mesures de sécurité normales ne sont pas respectées ou complètement ignorées, l'opérateur de l'outil peut être blessé. Les informations suivantes décrivent la méthode sûre et correcte à suivre pour exécuter les opérations de sciage les plus courantes.

**⚠ AVERTISSEMENT L'UTILISATION DE PIÈCES ET D'ACCESSOIRES QUI NE SONT PAS RECOMMANDÉS PAR BLACK & DECKER PEUT PRÉSENTER UN RISQUE DE BLESSURE POUR L'UTILISATEUR OU D'AUTRES PERSONNES.**

### TRONÇONNAGE

Le tronçonnage nécessite l'utilisation de la jauge à onglet pour positionner et guider l'ouvrage. Placer l'ouvrage contre la jauge à onglet et avancer à la fois la jauge et l'ouvrage vers la lame de la scie, comme le montre la Fig. 39. La jauge à onglet peut être utilisée dans l'une ou l'autre des fentes de la table. Pour une coupe de biseau (lame inclinée), utiliser la rainure de la table qui ne cause pas l'interférence de la main ou de la jauge à onglet avec la pare-main de la lame de la scie.

Commencer à couper doucement et tenir fermement l'ouvrage contre la jauge à onglet et la table. L'une des règles relatives à l'utilisation d'une scie consiste à ne jamais se cramponner ou toucher une pièce d'ouvrage qui n'est pas fixée. Tenir la pièce supportée, et non la pièce coupée mobile. Le tronçonnage se poursuit jusqu'à ce que l'ouvrage soit coupé en deux, et que la jauge à onglet et l'ouvrage se remettent au point de départ. Avant de tirer l'ouvrage en arrière, il est conseillé d'imprimer à l'ouvrage un petit mouvement sur le côté pour l'éloigner de la table de la scie. Ne jamais ramasser sur la table une pièce d'ouvrage de courte longueur alors que la scie est en marche. **Ne jamais** toucher une pièce coupée à moins qu'elle ne fasse au moins 30 cm (1 pi) de long.

Pour renforcer votre sécurité et pour plus de commodité, la jauge à onglet (A) peut être insérée à l'aide d'une planche de repère (B), comme le montre la Fig. 39A, dont la hauteur doit être supérieure à la profondeur de coupe maximale d'au moins 2,54 cm (1 po), et doit dépasser d'au moins 30,48 cm (12 po) d'un côté ou de l'autre, selon la fente de la jauge à onglet qui est utilisée. Cette planche de repère (B) peut être fixée à l'avant de la jauge à onglet en vissant deux vis à bois (C) dans les trous du corps de la jauge à onglet et dans la planche de repère.

**⚠ AVERTISSEMENT NE JAMAIS UTILISER LE GUIDE COMME JAUGE DE COUPE POUR LES OPÉRATIONS DE TRONÇONNAGE.**

Pour tronçonner plusieurs pièces de même longueur, un bloc de bois (B, Fig. 39B) peut être fixé sur le guide et utilisé comme jauge de coupe, comme le montre la Fig. 39B. Il est important de toujours positionner ce bloc de bois devant la lame de la scie comme indiqué. Une fois que la longueur de coupe est déterminée, fixer fermement et utiliser la jauge à onglet pour guider l'ouvrage pendant la coupe. Ce bloc de bois permet à la pièce coupée de se déplacer librement le long de la surface de la table sans se coincer entre le guide et la lame de la scie, ce qui réduit donc la possibilité d'effet de rebond et de blessure pour l'opérateur de la scie.

**⚠ AVERTISSEMENT LORS DE L'UTILISATION DU BLOC (B, FIG. 39B) COMME JAUGE DE COUPE, IL EST TRÈS IMPORTANT DE POSITIONNER L'EXTRÉMITÉ ARRIÈRE DU BLOC DE FAÇON À TENIR L'OUVRAGE ÉLOIGNÉ DU BLOC AVANT QU'IL N'ENTRE EN CONTACT AVEC LA SCIE.**

### SCIAGE EN LONG

Le sciage en long est l'action de couper totalement une planche dans sa longueur. Le guide longitudinal (A, Fig. 40) est utilisé pour positionner et guider l'ouvrage. L'un des bords de l'ouvrage vient s'appuyer contre le guide longitudinal tandis que le côté plat de la planche repose sur la table. Étant donné que l'ouvrage est poussé le long du guide, il doit avoir un bord droit et bien toucher la table. Le pare-main de la lame de la scie doit être utilisé. Le pare-main est équipé de doigts anti-effet de rebond afin d'empêcher l'effet de rebond, et un couteau séparateur pour empêcher le trait de scie de se fermer et de coincer la lame.

1. Démarrer le moteur et avancer l'ouvrage en le tenant vers le bas, contre le guide. **Ne jamais** se mettre dans la trajectoire de la scie lors d'une opération de sciage en long. Tenir l'ouvrage des deux mains et le pousser le long du guide et vers la lame de la scie (Fig. 40). L'ouvrage peut être guidé sous la lame de la scie avec une ou deux mains. Une fois que l'ouvrage est au-delà de la lame de la scie et des doigts anti-effet de rebond, retirer la main de l'ouvrage. Une fois la coupe effectuée, il est possible de laisser l'ouvrage sur la table, de l'incliner légèrement et de le saisir par l'extrémité du pare-main arrière, ou de le faire tomber de la table, sur le sol. Alternativement, il est possible de continuer de guider l'ouvrage vers l'extrémité de la table, après quoi il faut déplacer l'ouvrage pour le placer le long du bord extérieur du guide. La pièce coupée doit rester sur la table, et ne doit pas être touchée jusqu'à ce que la lame se soit immobilisée, à moins qu'il ne s'agisse d'une grosse pièce pouvant être retirée en toute sécurité. Pour scier en long des planches de plus de 9,14 m (3 pi) de long, utiliser un support de pièce à l'arrière de la scie afin

d'empêcher la scie de tomber de la table.

2. Si la pièce sciée en long mesure moins de 10 cm (4 po) de large, toujours utiliser un poussoir pour terminer la coupe, comme le montre la Fig. 41. Il est facile de réaliser un poussoir avec des déchets de découpe, comme l'explique la section « **CONSTRUIRE UN POUSSOIR** ».

3. Il peut être dangereux de scier des pièces étroites en long si cette opération n'est pas réalisée avec prudence. Les pièces étroites ne peuvent généralement pas être coupées lorsque le pare-main est en place. Si l'ouvrage est assez petit, utiliser un poussoir. Pour scier en long des pièces de moins de 5 cm (2 po) de largeur, un poussoir plat peut être un accessoire très utile étant donné que des bâtons ordinaires peuvent interférer avec le pare-main de la lame. En cas d'utilisation d'un poussoir, il faut ajouter la largeur du poussoir à la largeur du guide longitudinal pour le réglage de la position. Un poussoir plat peut être construit comme le montre la Fig. 43 et doit être utilisé comme le montre la Fig. 42.

**REMARQUE :** Certaines opérations spéciales (utilisation de la fraise à moulurer) nécessitent d'utiliser également une planche de repère sur le guide, comme expliqué à la section « **UTILISATION D'UNE PLANCHE DE REPÈRE SUR LE GUIDE LONGITUDINAL** », ainsi qu'un poussoir.

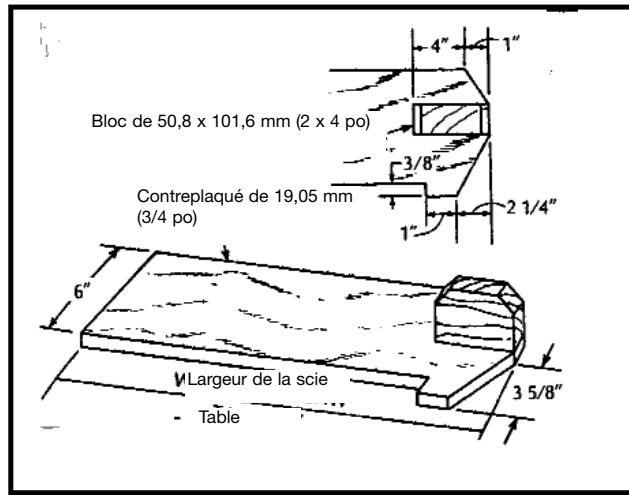


Fig. 43

## UTILISATION D'UNE PLANCHE DE REPÈRE SUR LE GUIDE LONGITUDINAL

Pour certaines opérations spéciales, il est nécessaire de placer des planches de repères (A, Fig. 43A) sur un côté du guide, ou sur les deux. Fixer la planche de repère sur le guide en mettant des vis dans les trous du guide. La plupart du temps, une pièce de 19,05 mm (3/4 po) sera nécessaire, parfois 25,4 mm (1 po).

## FRAISE ACCESSOIRE À RAINURER

**REMARQUE :** LA LARGEUR MAXIMUM DE RAINURAGE EST DE 12,7 mm (1/2 po) POUR CETTE SCIE.

**⚠ AVERTISSEMENT** L'ENSEMBLE PARE-MAIN/COUTEAU SÉPARATEUR NE PEUT PAS ÊTRE UTILISÉ POUR LES RAINURAGES. IL DOIT ÊTRE RETIRÉ.

Avant de rainurer, desserrer l'écrou à oreilles (A, Fig. 44) et retirer l'ensemble pare-main/couteau séparateur (B). Garder l'ensemble sous la main pour le replacer après le rainurage.

1. Le rainurage consiste à couper une feuillure ou une rainure large dans l'ouvrage. La plupart des ensembles à rainurer sont constitués de deux scies externes et de quatre ou cinq couteaux internes (Fig. 44A). De nombreuses combinaisons de scie et couteaux sont utilisées pour couper des rainures de 3,18 mm (1/8 po) à 20,63 mm (13/16 po) pour des étagères, pour réaliser des assemblages, tenonnage simple et double, rainurage simple et double, etc. Les couteaux sont très estampés et doivent être placés de façon à ce que cette partie estampée se trouve au niveau des dents des scies externes, comme le montre la Fig. 45. La Fig. 46 montre la superposition de la scie et du couteau ; (A) est la scie externe, (B) est un couteau interne, et (C) est un joint en papier utilisé si besoin pour contrôler la largeur exacte de la rainure. Une rainure de 6,35 mm (1/4 po) est coupée à l'aide des deux scies externes. Les dents des scies doivent être positionnées de façon à ce que le rabot de l'une des scies se trouve à côté de la dent coupante de l'autre scie.

2. Fixer l'ensemble à rainurer (D, Fig. 47) sur l'axe de la scie.

**REMARQUE : LA BRIDE D'AXE EXTERNE NE PEUT PAS ÊTRE UTILISÉE AVEC L'ENSEMBLE À RAINURER, SERRER FERMEMENT L'ÉCROU D'AXE CONTRE LE CORPS DE L'ENSEMBLE À RAINURER. NE PAS PERDRE LA BRIDE D'AXE EXTERNE. ELLE SERA NÉCESSAIRE POUR FIXER À NOUVEAU UNE LAME SUR L'AXE.**

**⚠ AVERTISSEMENT** L'INSERT DE TABLE POUR L'ENSEMBLE À RAINURER (E, FIG. 47) DOIT ÊTRE UTILISÉ AU LIEU DE L'INSERT DE TABLE STANDARD. IL EST POSSIBLE DE SE LE PROCURER COMME UNE PIÈCE DE RECHANGE AUPRÈS D'UN CENTRE DE RÉPARATION BLACK & DECKER.

**⚠ AVERTISSEMENT** L'ENSEMBLE PARE-MAIN/COUTEAU SÉPARATEUR NE PEUT PAS ÊTRE UTILISÉ POUR LE RAINURAGE ET DOIT ÊTRE RETIRÉ OU BASCULÉ À L'ARRIÈRE DE LA SCIE. UTILISER ÉGALEMENT DES SERRE-JOINTS, FIXATIONS, POUSSOIRS ET PLANCHES EN ÉVENTAILS SUPPLÉMENTAIRES.

3. La Fig. 48 illustre une opération courante de rainurage avec utilisation de la jauge à onglet comme guide.

**⚠ ATTENTION** NE JAMAIS UTILISER LA TÊTE À RAINURER EN POSITION DE BISEAU.

**⚠ AVERTISSEMENT** TOUJOURS INSTALLER LE PARE-MAIN DE LA LAME APRÈS AVOIR TERMINÉ L'OPÉRATION.

## CONSTRUIRE UN POUSSOIR

Pour scier en long un ouvrage de moins de 10 cm (4 po) de large, utiliser un poussoir pour terminer la coupe. Il est facile de réaliser un poussoir avec des déchets de découpe en suivant le patron indiqué.

### Poussoir

Pièce en bois de 12,7 ou 19,05 mm (1/2 ou 3/4 po) ou épaisseur inférieure à la largeur de la pièce à couper

Couper ici pour une pièce de 6,35 mm (1/4 po)

Couper ici pour une pièce de 12,7 mm (1/2 po)

Encoche pour empêcher la main de glisser

Carrés de 12,7 mm (1/2 po)

## CONSTRUIRE UNE PLANCHE EN ÉVENTAIL

La Fig. 49 illustre les dimensions généralement utilisées pour une planche en éventail. Réaliser la planche en éventail à partir d'une pièce de bois lisse ne présentant aucun nœud ou craquelure. Les planches en éventail sont utilisées pour maintenir l'ouvrage en contact avec le guide et la table, et pour permettre d'éviter les effets de rebond. Fixer les planches en éventail sur le guide et la table de sorte que le bord d'attaque des planches en éventail soutienne l'ouvrage tout au long de la coupe. Utiliser des planches en éventail pour toutes les opérations, hors débitage complet, pour lesquelles l'ensemble pare-main/dispositif d'écartement doit être retiré (voir Fig. 50). Toujours replacer l'ensemble pare-main/dispositif d'écartement lorsque l'opération (hors débitage complet) est terminée.

Fig. 49 - La distance entre les traits de scie doit être d'environ 6,35 mm (1/4 po)

# ENTRETIEN

## GARDER LA MACHINE PROPRE

Dégager régulièrement toutes les conduites d'air avec de l'air comprimé sec. Toutes les pièces en plastique doivent être nettoyées à l'aide d'un chiffon doux humide. NE JAMAIS utiliser de solvants pour nettoyer les pièces en plastique. Les solvants peuvent dissoudre ou endommager le matériel.

**⚠ AVERTISSEMENT** Porter des lunettes de sécurité pour l'utilisation d'air comprimé.

## DÉMARRAGE IMPOSSIBLE

Si la machine ne démarre pas, s'assurer que les lames de la fiche du cordon d'alimentation sont bien enfoncées dans la prise de courant. Vérifier également que les fusibles ne sont pas grillés ou que le disjoncteur ne s'est pas déclenché.

## GRAISSAGE

Appliquer chaque semaine une cire à parquets d'usage domestique sur la table de la machine et sur la rallonge de table ou toute autre surface de travail.

## EMPÊCHER LA FONTE DE ROULLER

Pour nettoyer et protéger les tables en fonte contre la rouille, utiliser le matériel suivant : 1 plateau-poussoir de rainureuse, 1 feuille de papier à poncer Scotch-Brite™ medium, 1 boîte de WD-40®, 1 boîte de dégraissant, 1 boîte d'aérosol TopCote®. Appliquer le WD-40 et polir la surface de la table avec le papier à poncer Scotch-Brite, en utilisant le plateau-poussoir comme serre-flan. Dégraisser la table, puis appliquer le TopCote® convenablement.

# DÉPANNAGE

## SUIVRE LES RÈGLES ET CONSIGNES DE SÉCURITÉ

### PROBLÈME! LA SCIE NE DÉMARRE PAS QUEL EST LE PROBLÈME ?

- 1.Scie non branchée.
- 2.Fusible grillé ou disjoncteur déclenché.
- 3.Cordon endommagé.
- 4.Brosses usées.

### QUE FAIRE...

- 1.Brancher la scie.
- 2.Remplacer le fusible ou réinitialiser le disjoncteur.
- 3.Faire remplacer le cordon par un centre de réparation agréé.
- 4.Faire remplacer les brosses par un centre de réparation agréé.

### PROBLÈME! LES DÉCOUPES EFFECTUÉES PAR LA SCIE NE SONT PAS SATISFAISANTES QUEL EST LE PROBLÈME ?

- 1.Lame émoussée.
- 2.Lame montée à l'envers.
- 3.Gomme ou résine sur la lame.
- 4.Lame inadéquate pour le travail effectué

### QUE FAIRE...

- 1.Remplacer la lame.
- 2.Inverser la lame.
- 3.Retirer la lame et la nettoyer avec de la térébenthine.
- 4.Changer la lame.

### PROBLÈME! LA LAME N'ATTEINT PAS SON PLEIN RÉGIME

#### QUEL EST LE PROBLÈME ?

- 1.La rallonge est trop légère ou trop longue.
- 2.Courant domestique trop faible.

#### QUE FAIRE...

- 1.La remplacer par une rallonge de taille adéquate.
- 2.Contacter votre fournisseur d'électricité.

### PROBLÈME! LA MACHINE VIBRE DE MANIÈRE EXCESSIVE

#### QUEL EST LE PROBLÈME ?

- 1..Le tréteau ou l'établi est sur un sol
- 2.Lame de scie endommagée.

#### QUE FAIRE...

- 1.Le irrégulie repositionner sur une surface plane.
- 2.Remplacer la lame.

## Information sur les réparations

Black & Decker dispose d'un réseau complet de centres de réparation et de centres autorisés situés partout en Amérique du Nord. Tous les centres de réparation Black & Decker sont dotés de personnel qualifié en matière d'outillage électrique; ils sont donc en mesure d'offrir à leur clientèle un service efficace et fiable.

Que ce soit pour un avis technique, une réparation ou des pièces de rechange authentiques installées en usine, communiquer avec l'établissement Black & Decker le plus près de chez vous.

Pour trouver l'établissement de réparation de votre région, consulter le répertoire des pages jaunes à la rubrique « Outils électriques » ou composer le numéro suivant : 1 (800) 544-6986.

## Accessories

Les accessoires recommandés pouvant être utilisés avec la scie sont disponibles auprès du distributeur ou centre de réparation autorisé de votre région. Pour tout renseignement concernant les accessoires, composer le : 1-800-544-6986.

**⚠ AVERTISSEMENT** l'utilisation de tout accessoire non recommandé peut présenter un danger.

## Garantie complète de deux ans pour une utilisation domestique

Black & Decker (É.-U.) Inc. garantit ce produit pour une durée de deux ans contre tout défaut de matériau ou de fabrication. Le produit défectueux sera remplacé ou réparé sans frais d'une des deux façons suivantes :

La première façon consiste en un échange chez le détaillant où le produit a été acheté (à la condition que le magasin soit un détaillant participant). Tout retour doit se faire durant la période correspondant à la politique d'échange du détaillant (habituellement, de 30 à 90 jours après l'achat). Une preuve d'achat peut être requise. Vérifier auprès du détaillant pour connaître sa politique concernant les retours hors de la période définie pour les échanges. La deuxième option est d'apporter ou d'envoyer le produit (transport payé d'avance) à un centre de réparation autorisé ou à un centre de réparation de Black & Decker pour faire réparer ou échanger le produit, à notre discrétion. Une preuve d'achat peut être requise. Les centres de réparation autorisés ou appartenant à Black & Decker sont répertoriés dans les Pages jaunes, sous la rubrique « Outils électriques » du bottin téléphonique.

Cette garantie ne s'applique pas aux accessoires. Cette garantie vous accorde des droits légaux spécifiques et vous pourriez avoir d'autres droits qui varient d'un État ou d'une province à l'autre. Pour toute question, communiquer avec le directeur du centre de réparation Black & Decker le plus près de chez vous. Ce produit n'est pas destiné à un usage commercial.

**REMPLACEMENT GRATUIT DES ÉTIQUETTES D'AVERTISSEMENT** : si les étiquettes d'avertissement deviennent illisibles ou sont manquantes, composer le 1-800-544-6986 pour faire remplacer gratuitement vos étiquettes

Imported by / Importé par  
Black & Decker Canada Inc.  
100 Central Ave.  
Brockville (Ontario) K6V 5W6

Voir 'Outils électriques'  
- Pages Jaunes -  
pour Service et ventes







## **SIERRA DE MESA BDT5100 254 MM (10")**

### **MANUAL DE INSTRUCCIONES**



**¡GRACIAS POR ELEGIR BLACK & DECKER!  
VAYA A [WWW.BLACKANDDECKER.COM/NEWOWNER](http://WWW.BLACKANDDECKER.COM/NEWOWNER)  
PARA REGISTRAR SU NUEVO PRODUCTO.**

**ANTES DE DEVOLVER ESTE PRODUCTO POR CUALQUIER MOTIVO, LLAME AL  
(55)5326-7100**

ANTES DE LLAMAR, TENGA EL NÚMERO DE CATÁLOGO Y EL CÓDIGO DE FECHA PREPARADOS. EN LA MAYORÍA DE LOS CASOS, UN REPRESENTANTE DE BLACK & DECKER PUEDE RESOLVER EL PROBLEMA POR TELÉFONO. SI DESEA REALIZAR UNA SUGERENCIA O COMENTARIO, LLÁMENOS. SU OPINIÓN ES FUNDAMENTAL PARA BLACK & DECKER.

**CONSERVE ESTE MANUAL PARA FUTURAS CONSULTAS.**

# ÍNDICE

INSTRUCCIONES IMPORTANTES SOBRE SEGURIDAD .....	.42
NORMAS DE SEGURIDAD .....	.42
NORMAS GENERALES DE SEGURIDAD .....	.43
NORMAS DE SEGURIDAD ESPECÍFICAS ADICIONALES .....	.44
DESCRIPCIÓN DE LAS FUNCIONES .....	.46
CONTENIDO DE LA CAJA .....	.46
MONTAJE .....	.47
OPERACIÓN .....	.50
ACCESORIOS .....	.54
MANTENIMIENTO .....	.55
DETECCIÓN DE PROBLEMAS .....	.55
SERVICIO .....	.56
GARANTÍA .....	.56

## INSTRUCCIONES IMPORTANTES SOBRE SEGURIDAD

**⚠ ADVERTENCIA** Lea y comprenda todas las instrucciones operativas y las advertencias, antes de utilizar cualquier herramienta o equipo. Cuando se utilizan herramientas o equipos, siempre se deben respetar las precauciones de seguridad para reducir el riesgo de lesiones personales. La operación, el mantenimiento o la modificación incorrectos de herramientas o equipos pueden provocar lesiones graves y daños a la propiedad. Las herramientas y los equipos están diseñados para determinados usos. Black & Decker recomienda enfáticamente que NO se modifique este producto y que NO se utilice para ningún otro uso que aquél para el que fue diseñado.

## NORMAS DE SEGURIDAD - DEFINICIONES

Es importante que lea y comprenda este manual. La información que contiene se relaciona con la protección de SU SEGURIDAD y la PREVENCIÓN DE PROBLEMAS. Los símbolos que siguen se utilizan para ayudarlo a reconocer esta información.



**⚠ PELIGRO** indica una situación de peligro inminente que, si no se evita, provocará la muerte o lesiones graves.

**⚠ ADVERTENCIA** indica una situación de peligro potencial que, si no se evita, provocará la muerte o lesiones graves.

**⚠ PRECAUCIÓN** indica una situación de peligro potencial que, si no se evita, provocará lesiones leves o moderadas.

**PRECAUCIÓN** utilizado sin el símbolo de alerta de seguridad indica una situación de peligro potencial que, si no se evita, puede provocar daños en la propiedad.

**¡CONSERVE ESTAS INSTRUCCIONES!**

### LA PROPUESTA 65 DE CALIFORNIA

**⚠ ADVERTENCIA** Algunas partículas originadas al lijar, aserrar, amolar, taladrar y realizar otras actividades de construcción contienen productos químicos que producen cáncer, defectos de nacimiento y otros problemas reproductivos. Algunos ejemplos de estos productos químicos son:

- el plomo de las pinturas a base de plomo;
- la sílice cristalina de ladrillos, el cemento y otros productos de mampostería; y
- el arsénico y el cromo de la madera con tratamiento químico (CCA).

El riesgo derivado de estas exposiciones varía según la frecuencia con la que se realice este tipo de trabajo. Para reducir la exposición a estos productos químicos: se recomienda trabajar en áreas bien ventiladas y usar equipos de seguridad aprobados, como las máscaras para polvo especialmente diseñadas para filtrar las partículas microscópicas.

- Evite el contacto prolongado con las partículas de polvo originadas al lijar, aserrar, esmerilar, taladrar y realizar demás actividades de la construcción. Use indumentaria protectora y lave las áreas expuestas con agua y jabón. Evite que el polvo entre en la boca y en los ojos o se deposite en la piel, para impedir la absorción de productos químicos nocivos.

**⚠ ADVERTENCIA** El uso de esta herramienta puede generar o dispersar partículas de polvo, que pueden causar lesiones respiratorias permanentes y graves u otras lesiones. Use siempre protección respiratoria aprobada por NIOSH/OSHA (Instituto Nacional de Salud y Seguridad Ocupacional de los EE.UU./Administración de la Salud y Seguridad Ocupacional de los EE.UU.) apropiada para la exposición al polvo. Aleje la cara y el cuerpo del contacto con las partículas.

**⚠ PRECAUCIÓN** Utilice la protección auditiva apropiada durante el uso. En determinadas condiciones y según el período de uso, el ruido provocado por este producto puede originar pérdida de audición.

# NORMAS GENERALES DE SEGURIDAD



**▲ ADVERTENCIA** LEA Y COMPRENDA TODAS LAS ADVERTENCIAS Y LAS INSTRUCCIONES DE OPERACIÓN ANTES DE UTILIZAR ESTE EQUIPO. El incumplimiento de cualquiera de las instrucciones enumeradas abajo puede provocar descarga eléctrica, incendio o lesiones personales graves o daños a la propiedad.

## INSTRUCCIONES IMPORTANTES SOBRE SEGURIDAD

- POR SU PROPIA SEGURIDAD, LEA EL MANUAL DE INSTRUCCIONES ANTES DE OPERAR LA MÁQUINA.** Si está informado sobre la aplicación, las limitaciones y los peligros específicos de la máquina, se reducirá en gran medida la posibilidad de accidentes y lesiones.
- UTILICE PROTECCIÓN PARA LOS OJOS Y LOS OÍDOS. SIEMPRE USE ANTEOJOS DE SEGURIDAD.** Los anteojos de uso diario NO son anteojos de seguridad. UTILICE UN EQUIPO DE SEGURIDAD CERTIFICADO. El equipo de protección para los ojos debe cumplir con las normas del ANSI Z87.1. El equipo de protección auditiva debe cumplir con las normas del ANSI S3.19.
- UTILICE INDUMENTARIA ADECUADA.** No utilice ropa holgada, guantes, corbatas, anillos, pulseras u otras alhajas que puedan quedar atrapadas entre las piezas móviles. Se recomienda el uso de calzado antideslizante. Recójase y cubra el cabello largo.
- NO UTILICE LA MÁQUINA EN LUGARES PELIGROSOS.** El uso de herramientas eléctricas en lugares húmedos o mojados o bajo la lluvia puede provocar descargas eléctricas o electrocución. Mantenga su área de trabajo bien iluminada para prevenir tropezones o poner en peligro brazos, manos y dedos.
- MANTENGA TODAS LAS HERRAMIENTAS Y MÁQUINAS EN LAS MEJORES CONDICIONES.** Mantenga las herramientas afiladas y limpias para obtener el mejor y más seguro rendimiento. Siga las instrucciones para lubricar y cambiar los accesorios. Las herramientas y máquinas que carecen de un mantenimiento adecuado pueden dañar aún más la herramienta o máquina o causar lesiones.
- VERIFIQUE QUE NO HAYA PIEZAS DAÑADAS.** Antes de utilizar la máquina, verifique que no haya ninguna pieza dañada. Verifique la alineación y la sujeción de las piezas móviles, la rotura de piezas y cualquier otra condición que pueda afectar su operación. Los protectores u otras piezas dañadas deben ser correctamente reparados o reemplazados. Las piezas dañadas pueden deteriorar la máquina aún más o causar lesiones.
- MANTENGA LIMPIA EL ÁREA DE TRABAJO.** Los espacios y los bancos de trabajo abarrotados propician accidentes.
- MANTENGA ALEJADOS A NIÑOS Y VISITANTES.** Su taller es un lugar potencialmente peligroso. Los niños y los visitantes podrían lesionarse.
- REDUZCA EL RIESGO DE ENCENDIDO ACCIDENTAL.** Asegúrese de que el interruptor esté en la posición de "APAGADO" (OFF) antes de enchufar el cable de alimentación. En caso de un corte en la alimentación, mueva el interruptor a la posición de "APAGADO" (OFF). Un arranque accidental podría causar lesiones.
- UTILICE LAS GUARDAS.** Verifique que todas las guardas estén adecuadamente instaladas, aseguradas y funcionando correctamente, para reducir el riesgo de lesiones.
- RETIRE LAS CLAVIJAS Y LAS LLAVES DE AJUSTE ANTES DE ENCENDER LA MÁQUINA.** Las herramientas, las piezas de descarte y otro tipo de desechos pueden salir despedidos a alta velocidad y provocar lesiones.
- UTILICE LA MÁQUINA ADECUADA.** No fuerce una máquina o un accesorio en tareas para las que no fueron diseñados. Esto puede provocar daños a la máquina o lesiones.
- UTILICE ACCESORIOS RECOMENDADOS.** El uso de accesorios y suplementos no recomendados por Black & Decker puede provocar daños a la máquina o lesiones al usuario.
- UTILICE EL CABLE PROLONGADOR APROPIADO.** Asegúrese de que el cable prolongador esté en buenas condiciones. Cuando utilice un cable prolongador, asegúrese de que tenga la capacidad para conducir la corriente que su producto exige. Un cable de menor capacidad provocará una disminución en el voltaje de la línea, que producirá pérdida de potencia y sobrecalentamiento. Vea la Tabla de cables prolongadores para conocer la medida correcta, según la longitud del cable y la capacidad nominal en amperios indicada en la placa. En caso de duda, utilice el calibre inmediatamente superior. Cuanto menor sea el número de calibre, más grueso será el cable.
- FIJE LA PIEZA DE TRABAJO.** Utilice abrazaderas o una prensa para sujetar la pieza de trabajo cuando sea posible. La pérdida del control de la pieza de trabajo puede causar lesiones.
- INTRODUZCA LA PIEZA DE TRABAJO EN LA DIRECCIÓN CONTRARIA A LA ROTACIÓN DE LA HOJA, CORTADORA O SUPERFICIE ABRASIVA.** Introducir la pieza en la otra dirección podría ocasionar el despedido a alta velocidad de la pieza.
- NO FUERCE LA PIEZA DE TRABAJO EN LA MÁQUINA.** Esto puede provocar daños a la máquina o lesiones.
- NO SE ESTIRE.** Podría perder el equilibrio y caer sobre una máquina en funcionamiento, y esto podría producirle lesiones.
- NUNCA SE PARE SOBRE LA MÁQUINA.** Podría lastimarse si la herramienta se voltea o si toca accidentalmente el elemento cortante.
- NUNCA DEJE LA MÁQUINA EN FUNCIONAMIENTO SIN SUPERVISIÓN. APAGUELA.** No abandone la máquina hasta que no se haya detenido por completo. Algún niño o visitante podría salir lastimado.
- APAGUE LA MÁQUINA Y DESCONÉCTELA DE LA FUENTE DE ALIMENTACIÓN ANTES** de instalar o quitar los accesorios, antes de ajustar o cambiar las configuraciones o cuando haga reparaciones. Un arranque accidental podría causar lesiones.
- PROCURE QUE SU TALLER SEA A PRUEBA DE NIÑOS; INSTALE CANDADOS E INTERRUPTORES MAESTROS, O RETIRE LAS LLAVES QUE ACCIONAN LAS HERRAMIENTAS.** Si un niño o un visitante enciende una máquina accidentalmente, podría producirle lesiones.
- MANTÉNGASE ALERTA, PONGA ATENCIÓN EN LO QUE ESTÁ HACIENDO Y USE EL SENTIDO COMÚN. NO UTILICE LA MÁQUINA SI ESTÁ CANSADO O BAJO EL EFECTO DE DROGAS, ALCOHOL O MEDICAMENTOS.** Un momento de descuido al operar una herramienta eléctrica puede provocar lesiones.
- ▲ ADVERTENCIA** LA UTILIZACIÓN DE ESTA HERRAMIENTA PUEDE GENERAR Y DISPERSAR PARTICULAS DE POLVO U OTRAS PARTICULAS TRANSPORTADAS POR EL AIRE, COMO LAS DE LA MADERA, LA SÍLICE CRISTALINA Y EL AMIANTO. Aleje la cara y el cuerpo del contacto con las partículas. Siempre opere la herramienta en áreas con buena ventilación y ocúpese de eliminar el polvo adecuadamente. Utilice un sistema de recolección de polvo, donde sea posible. La exposición al polvo puede provocar lesiones respiratorias u otras, graves y permanentes, tales como la silicosis (enfermedad grave en los pulmones), el cáncer y la muerte. Evite respirar el polvo y el contacto prolongado con éste. Evite que el polvo entre en la boca y en los ojos o se deposite en la piel, para impedir la absorción de materiales nocivos. Use siempre protección respiratoria adecuada y aprobada por NIOSH/OSHA para la exposición al polvo y lave las áreas expuestas con agua y jabón.

# NORMAS DE SEGURIDAD ADICIONALES PARA LAS SIERRAS DE MESA

**▲ ADVERTENCIA LA FALTA DE CUMPLIMIENTO DE ESTAS NORMAS PUEDE PROVOCAR LESIONES GRAVES.**

- NO OPERE ESTA MÁQUINA** hasta que no esté armada e instalada según las instrucciones.
- SOLICITE EL ASESORAMIENTO DE** alguna persona calificada si no está familiarizado con el funcionamiento de esta máquina.
- RESPETE TODOS** los códigos de cableado y las conexiones eléctricas recomendadas.
- UTILICE LAS GUARDAS CUANDO SEA POSIBLE.** Controle que estén bien colocadas, sujetas y funcionando correctamente.
- EL RETROCESO ES LA TENDENCIA NATURAL DE LA PIEZA DE TRABAJO DE SALIR DESPEDIDA HACIA ATRÁS EN DIRECCIÓN AL OPERADOR** en el momento del contacto inicial con la hoja o si la muerde. El retroceso es peligroso y puede provocar lesiones graves.  
**EVITE EL RETROCESO** de la siguiente forma:
  - mantenga la hoja afilada, y libre de óxido y grumos de resina.
  - controle que la guía de corte quede paralela a la hoja de la sierra.
  - utilice la guarda de la hoja de la sierra y el esparcidor para todas las operaciones que sea posible, incluidos todos los cortes con sierra.
  - empuje la pieza de trabajo hasta que pase la hoja de la sierra, antes de soltarla.
  - nunca realice un corte longitudinal en una pieza de trabajo que esté torcida o deformada o sin un borde recto que sirva de guía.
  - use tablas de canto biselado cuando no se pueda utilizar el dispositivo de antiretroceso.
  - nunca corte una pieza de trabajo grande que no pueda controlar.
  - nunca utilice la guía cuando realice un corte transversal.
  - nunca corte una pieza de trabajo que tenga nudos sueltos u otros defectos.
- UTILICE LAS GUARDAS, EL HENDEADOR Y LOS DEDOS DE ANTIRETROCESO SIEMPRE** que sea posible.
- ELIMINE LAS PIEZAS CORTADAS Y LOS DESECHOS** de la mesa antes de encender la sierra. La vibración de la máquina puede llevarlos hacia la hoja de la sierra y luego despedirlos. Después del corte, apague la máquina. Después de que la hoja se haya detenido completamente, quite todos los desechos.
- NUNCA ENCIENDA LA MÁQUINA** con la pieza de trabajo contra la hoja.
- NUNCA** coloque la pieza de trabajo entre la guía y un cabezal portacuchilla para moldura.
- EL CORTE DE UNA PIEZA DE TRABAJO SIN UTILIZAR UNA GUÍA O CALIBRADOR DE INGLETE SE CONOCE COMO CORTE "A PULSO". NUNCA** realice operaciones "a pulso". Use una guía o calibrador de inglete para guiar y ubicar la pieza de trabajo en la posición correcta.
- SOSTENGA LA PIEZA** de trabajo firmemente contra la guía o calibrador de inglete.
- EL CORTE COMPLETO A TRAVÉS DE LA PIEZA DE TRABAJO SE CONOCE COMO "CORTE CON SIERRA".** El corte longitudinal y el transversal son operaciones de corte con sierra. El corte que sigue la veta de la madera (o a lo largo de la extensión de la pieza de trabajo) es un corte longitudinal. El corte que cruza la veta de la madera (o la pieza de trabajo) es un corte transversal. Utilice una guía o sistema de guía para el corte longitudinal. NO use una guía o sistema de guía para el corte transversal. En su lugar, utilice un calibrador de inglete. USE EMPUJADORES para el corte longitudinal de una pieza de trabajo angosta.
- EVITE** operaciones complicadas y posiciones de las manos donde un desliz repentino podría provocar que la mano se desplace hacia la hoja.
- MANTENGA LOS BRAZOS, LAS MANOS Y LOS DEDOS** lejos de la hoja.
- NUNCA** se ubique de modo que alguna parte del cuerpo quede en la misma línea que el trayecto de la hoja de la sierra.
- NUNCA INTENTE ALCANZAR** objetos alrededor o por encima de la hoja de la sierra.
- NUNCA** trate de extraer una hoja de la sierra detenida sin "APAGAR" la máquina primero.
- APOYE ADECUADAMENTE PIEZAS DE TRABAJO LARGAS O ANCHAS.**
- NUNCA REALICE TRABAJOS DE TRAZADO,** armado o instalación en la mesa o área de trabajo cuando la máquina está en funcionamiento.
- APAGUE LA MÁQUINA Y DESCONÉCTELA** de la fuente de alimentación antes de instalar o quitar los accesorios, antes de ajustar o cambiar las configuraciones o cuando haga reparaciones.
- APAGUE LA MÁQUINA,** desconéctela de la fuente de alimentación y limpie la mesa o área de trabajo antes de abandonar la máquina. Bloquee el interruptor en la posición de "APAGADO" (OFF) para prevenir el uso no autorizado.
- Encontrará **INFORMACIÓN ADICIONAL** disponible acerca de la operación correcta y segura de herramientas eléctricas (por ejemplo: un video de seguridad) en el Instituto de Herramientas Eléctricas (Power Tool Institute), 1300 Sumner Avenue, Cleveland, OH 44115-2851 ([www.powertoolinstitute.com](http://www.powertoolinstitute.com)). Además, encontrará información disponible en el Consejo Nacional de Seguridad (National Safety Council), 1121 Spring Lake Drive, Itasca, IL 60143-3201. Remítase a los Requisitos de Seguridad 01.1 para las máquinas de carpintería del Instituto Estadounidense de Normas Nacionales (American National Standards Institute - ANSI) y a las Normas OSHA 1910.213 del Ministerio de Trabajo de los Estados Unidos.

**CONSERVE ESTAS INSTRUCCIONES.**

**Consúltelas con frecuencia**

**y utilícelas para brindar instrucciones a los demás.**

## CONEXIONES ELÉCTRICAS

Debe utilizar un circuito eléctrico independiente para sus máquinas. Este circuito no debe ser menor a un cable N° 12 y debe estar protegido con un fusible de acción retardada de 20 amperios. Si utiliza un cable prolongador, debe ser únicamente los de 3 conductores, que tengan enchufes a tierra de 3 patas y receptáculos correspondientes que acepten el enchufe de la máquina. Antes de conectar la máquina a la línea eléctrica, asegúrese de que el o los interruptores están en la posición de "APAGADO" (OFF) y que la corriente eléctrica tenga las mismas características que indica la máquina. Todas las conexiones a la línea deben hacer un buen contacto. La máquina se dañará si está funcionando con bajo voltaje.

**⚠ PELIGRO NO EXPONGA LA MÁQUINA A LA LLUVIA, NI LA UTILICE EN LUGARES HÚMEDOS.**

## ESPECIFICACIONES DEL MOTOR

La máquina tiene una instalación eléctrica para 120 voltios, corriente alterna de 60 HZ. Antes de conectar la máquina a la fuente de alimentación, controle que el interruptor esté en la posición de "APAGADO" (OFF).

## INSTRUCCIONES DE CONEXIÓN A TIERRA

**⚠ PELIGRO ESTA MÁQUINA DEBE ESTAR CONECTADA A TIERRA MIENTRAS ESTÉ EN USO, PARA PROTEGER AL OPERADOR DE UNA DESCARGA ELÉCTRICA.**

### 1. Todas las máquinas a tierra, conectadas por cables:

En caso de un mal funcionamiento o falla, la conexión a tierra proporciona un trayecto de la menor resistencia posible, para reducir el riesgo de que la corriente ocasione una descarga eléctrica. Esta máquina está equipada con un cable eléctrico que tiene un conductor y un enchufe para poner el equipo a tierra. El enchufe se debe utilizar con un tomacorriente adecuado que haya sido instalado correctamente y conectado a tierra de acuerdo con todos los códigos y las ordenanzas locales.

No cambie el enchufe suministrado; si no se adapta apropiadamente al tomacorriente, solicite a un electricista calificado que instale el tomacorriente correcto.

Como consecuencia de una conexión inadecuada del conductor a tierra del equipo, puede generarse riesgo de descargas eléctricas. El conductor a tierra del equipo es el que tiene un aislante de color verde en la superficie externa, con o sin bandas amarillas. Si fuera necesario reparar o reemplazar el cable eléctrico, no conecte el conductor a tierra del equipo a una terminal de baja tensión.

Llame a un electricista calificado o al personal del servicio para que verifiquen las conexiones si no comprende completamente las instrucciones de conexión a tierra o si duda de que la máquina esté conectada a tierra correctamente.

Utilice solamente cables prolongadores de 3 conductores que tengan enchufes a tierra de 3 patas y receptáculos de 3 conductores que se adapten al enchufe de la máquina, como se muestra en la Fig. A.

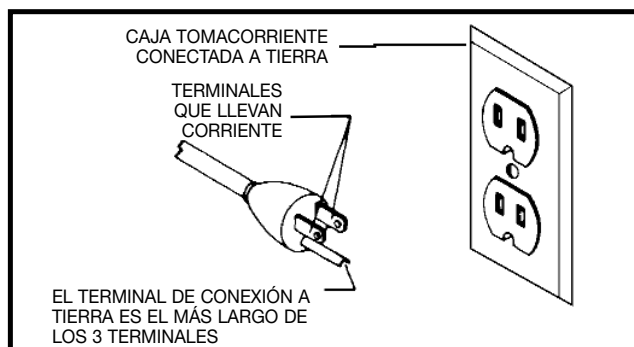


Fig. A

Repare o reemplace los cables dañados o gastados inmediatamente.

### 2. Las máquinas conectadas por cable a tierra, diseñadas para utilizarse en un circuito de suministro con un índice nominal menor a 150 voltios:

Si la máquina está diseñada para utilizarse en un circuito que tiene un tomacorriente similar al que ilustra la Fig. A, tendrá un enchufe a tierra parecido al que ilustra la Fig. A. Si no se dispone de un tomacorriente conectado a tierra correctamente, se puede usar un adaptador temporal, similar al que ilustra la Fig. B, para conectar este enchufe a un receptáculo para dos patas correspondiente, como el que se muestra en la Fig. B. El adaptador temporal únicamente debe usarse hasta tanto un electricista calificado haya instalado un tomacorriente conectado a tierra correctamente. La oreja, lengüeta, o algo semejante, de color verde que sale del adaptador debe estar conectada a tierra en forma permanente por medio de una caja de tomacorriente conectado a tierra correctamente. Cuando se utilice el adaptador, debe estar fijo con un tornillo de metal.

**NOTA: En Canadá, el Código Eléctrico Canadiense no permite el uso de un adaptador temporal.**

NOTA DEL AUTOR: SI ES PARA 150-250 V, INSERTAR UL987 NORMA 72.1.1.A.3 SEGUN LA NOTA 3 Y LA FIG. C. VEA EL TEXTO DE LA PAGINA 6 A CONTINUACIÓN.

**⚠ PELIGRO EN TODOS LOS CASOS, ASEGÚRESE DE QUE EL RECEPTÁCULO EN CUESTIÓN ESTÉ CONECTADO A TIERRA CORRECTAMENTE. SI NO ESTÁ SEGURO, CONTRATE A UN ELECTRICISTA CALIFICADO PARA QUE VERIFIQUE EL RECEPTÁCULO.**

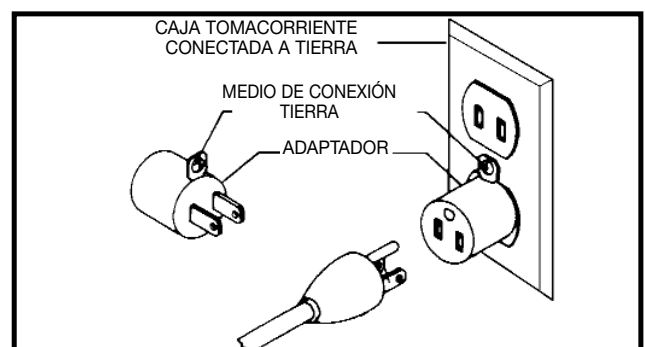


Fig. B

## CABLES PROLONGADORES

**⚠ ADVERTENCIA** Use los cables prolongadores apropiados. Asegúrese de utilizar un cable prolongador en buenas condiciones y de que sea uno de 3 conductores con enchufe a tierra de 3 patas y receptáculo correspondiente que se adapte al enchufe de la máquina. Cuando utilice un cable prolongador, compruebe que tenga la capacidad para conducir la corriente de la máquina. Un cable de menor medida provocará una disminución en el voltaje de la línea y causará pérdida de energía y sobrecalentamiento. La Figura D-1 muestra el calibre correcto para usar de acuerdo con la longitud del cable. En caso de duda, utilice el calibre inmediatamente superior. Cuanto menor sea el número de calibre, más grueso será el cable.

CABLE PROLONGADOR DE CALIBRE MÍNIMO			
MEDIDAS RECOMENDADAS PARA UTILIZARSE CON MÁQUINAS ELÉCTRICAS FIJAS			
Amperios Capacidad nominal	Volts	Longitud total del cable en pies	Calibre de Cable prolongador
0-6	120	hasta 25	18 AWG
0-6	120	25-50	16 AWG
0-6	120	50-100	16 AWG
0-6	120	100-150	14 AWG
6-10	120	hasta 25	18 AWG
6-10	120	25-50	16 AWG
6-10	120	50-100	14 AWG
6-10	120	100-150	12 AWG
10-12	120	hasta 25	16 AWG
10-12	120	25-50	16 AWG
10-12	120	50-100	14 AWG
10-12	120	100-150	12 AWG
12-16	120	hasta 25	14 AWG
12-16	120	25-50	12 AWG
12-16	120	NO SE RECOMIENDA SI ES MAYOR A 50 PIES	

Fig. D-1

## DESCRIPCIÓN DE LAS FUNCIONES

### INTRODUCCIÓN

El modelo BDTS100 es una sierra de mesa de 254 mm (10") diseñada para brindar un rendimiento de alta calidad con una capacidad de profundidad de corte de hasta 76 mm (3") a 90° y 51 mm (2") a 45° para un corte limpio de tamaños de material estándar. BDTS100 incluye la sierra con un motor de 120 V y 13 amperios, una base de metal, guía de corte longitudinal, calibrador de inglete, guarda de hoja transparente con hendedor y dedos de antiretroceso, una hoja de sierra con punta de carburo de 254 mm (10"), inserto para mesa y llaves para hoja.

**AVISO: LA FOTO EN LA TAPA DEL MANUAL ILUSTRAR EL MODELO DE LA PRODUCCIÓN ACTUAL. TODAS LAS DEMÁS ILUSTRACIONES QUE APARECEN EN EL MANUAL SON SOLAMENTE REPRESENTATIVAS Y PUEDEN MOSTRAR UN COLOR, ETIQUETAS Y ACCESORIOS DIFERENTES A LOS REALES Y TIENEN EL ÚNICO PROPOSITO DE ILUSTRAR EL PROCEDIMIENTO.**

## CONTENIDO DE LA CAJA

### PIEZAS DE LA SIERRA PARA BANCO MOTORIZADA

La Fig. 1 ilustra la sierra fuera del contenedor. Las Figuras 2 y 3 muestran los elementos sueltos que vienen embalados con la sierra. La Fig. 4 ilustra los elementos sueltos embalados para la base ÚNICAMENTE.

#### Fig. 2 Piezas

1. Guía de corte longitudinal
2. Ensamble de guarda y hendedor
3. Mango de bloqueo para la guía de corte longitudinal
4. Volante para elevar y bajar la hoja
5. Calibrador de inglete
6. Abrazadera para el soporte del hendedor
7. Abrazadera para el hendedor
8. Mango del volante para elevar y bajar la hoja
9. Sujetador para el calibrador de inglete
10. Pinza de resorte para el sujetador del calibrador de inglete
11. Llave para cambio de hoja

#### Fig. 3 Equipo

1. Tornillo de cabeza troncocónica M6 x 1 x 55 mm (1)
2. Tornillo de cabeza hexagonal 1/4-20 x 2-1/2" (1)
3. Tornillo de cabeza hexagonal M6 x 1 x 20 mm (1)
4. Tornillo de cabeza hexagonal 1/4-20 x 1/2" (2)
5. Tornillo de cabeza plana M6 x 1 x 12 mm (1)
6. Tornillo de cabeza troncocónica M4 x 0,7 x 10 mm (1)
7. Tornillo de cabeza troncocónica M4 x 0,2 x 10 mm (4)
8. Tuerca hexagonal M8 x 1,25 (1)
9. Tuerca mariposa M6 x 1 (1)
10. Tuerca hexagonal M4.7 (1)
11. Arandela plana M6.4 (3)
12. Arandela de bloqueo de diente interno de 6,35 mm [1/4"] (1)
13. Arandela de bloqueo de diente externo de 6,35 mm [1/4"] (5)
14. Arandela plana de 4,75 mm [3/16"] (4)
15. Arandela plana de diente externo de 4,75 mm [3/16"] (1)

## (Fig. 4) Piezas de la base

1. Pie (4)
2. Arandela plana de 9,52 mm [3/8"] para montar la sierra a la base y armar la base (24)
3. Pata (4)
4. Tuerca hexagonal M8 x 1,25 para montar la sierra a la base y armar la base (20)
5. Tornillo hexagonal M8 x 1,25 x 45 mm para montar la sierra a la base (4)
6. Pernos de cabeza de hongo (o soporte) M8 x 1,25 x 20 mm para armar la base (16)
7. Abrazaderas superiores delanteras y traseras de 469,9 mm [18-1/2"] (2)
8. Abrazaderas superiores laterales de 431,8 mm [17"] (2)
9. Abrazaderas inferiores delanteras y traseras de 558,8 mm [22"] (2)
10. Abrazaderas inferiores laterales de 517,52 mm [20-3/8"] (2)

## DESEMBALAJE Y LIMPIEZA

Desembale cuidadosamente la máquina y todos los elementos sueltos del o los contenedores de envío. Quite el recubrimiento protector de todas las superficies sin pintura. Puede quitarlo con un trapo suave humedecido con queroseno (no utilice acetona, gasolina o solvente de barniz para este fin). Luego de limpiar, cubra las superficies sin pintura con cera en pasta de buena calidad que se utiliza para los pisos del hogar.

## MONTAJE

### HERRAMIENTAS NECESARIAS PARA EL MONTAJE

(No se proporciona ninguna)

\* Destornillador con cabezal Phillips

- \* Llave de 13 mm para los pernos de soporte
- \* Llave de 10 mm para los pernos del ensamble del hendedor
- \* Escuadra de borde recto y/o de encuadre para los ajustes

**TIEMPO APROXIMADO PARA EL MONTAJE: 1 hora**

## SUPERFICIES DE APOYO Y ELEVACIÓN PARA UNA SIERRA SIN BASE

**▲ ADVERTENCIA** LA SIERRA DEBE ESTAR SUJETA ADECUADAMENTE A UNA SUPERFICIE DE APOYO. ADEMÁS LA FALTA DE SUMINISTRO DE UN ORIFICIO DE REMOCIÓN DONDE PUEDA CAER EL ASERRÍN PROVOCARÁ QUE ÉSTE SE ACUMULE ALREDEDOR DEL MOTOR, HECHO QUE OCASIONARÍA UN POSIBLE RIESGO DE INCENDIO O DAÑOS AL MOTOR.

**▲ ADVERTENCIA** DESCONECTE LA MÁQUINA DE LA FUENTE DE ALIMENTACIÓN.

La sierra debe estar lo suficientemente elevada para que el aserrín caiga sobre el fondo y no se acumule alrededor del motor.

Ponga en la posición correcta los cuatro orificios de montaje, ubicados en la base del gabinete de la sierra (dos de los cuales se muestran en (A) Fig. 4A), sobre cualquier soporte apropiado que esté usando. Luego asegure firmemente la sierra a los soportes. Se puede asegurar la sierra fijando la base a través de los orificios de montaje con el equipo adecuado (no suministrado).

**▲ ADVERTENCIA** EL SOPORTE DE LA SIERRA DEBE SER ESTABLE Y TENER CAPACIDAD PARA 136 KG (300 LIBRAS).

Usted también puede construir un soporte sencillo elevado, como se muestra en la Fig. 4B.

**▲ ADVERTENCIA** UTILICE MADERA CONTRACHAPADA DE BUENA CALIDAD CON UN ESPESOR MÍNIMO DE 19,05 MM (3/4"). NO REALICE EL TABLERO DE MONTAJE CON UNA TABLA DE MADERA COMPRIMIDA DEBIDO A QUE SE QUIEBRA CON FACILIDAD.

**▲ ADVERTENCIA** ESTE SOPORTE DEBE ESTAR PROVISTO DE UN ORIFICIO POR DONDE PUEDA CAER EL ASERRÍN.

Encuadre la sierra en la superficie de apoyo y marque la ubicación de cuatro orificios de 7,94 mm (5/16") para realizar las perforaciones con un taladro (Fig. 4B).

**▲ ADVERTENCIA** ASEGÚRESE DE QUE HAYA POR LOS MENOS 76,2 MM (3") EN LOS CUATRO LADOS DE LA BASE.

Aleje la sierra y luego realice los orificios en estas marcas. Ubique y marque un cuadrado de 27,94 ó 30,48 cm (11" ó 12") centrado entre los cuatro orificios de montaje. Corte y quite el cuadrado (Fig. 4B).

Para elevar la superficie de apoyo, mida dos 2 x 4 (A) Fig. 4B al ancho de dos lados opuestos de la superficie de apoyo. Fije la superficie de apoyo a los bordes angostos de los 2 x 4 (como se muestra en la Fig. 4B) con tornillos para madera (no suministrados) en por lo menos tres de los sitios (B) Fig. 4B de cada lado.

Sujete la sierra a la superficie insertando el equipo adecuado (no suministrado) a través de los orificios de montaje en la sierra y dentro de los orificios previamente taladrados. Cuando utilice la sierra, quite periódicamente el aserrín acumulado debajo de la misma.

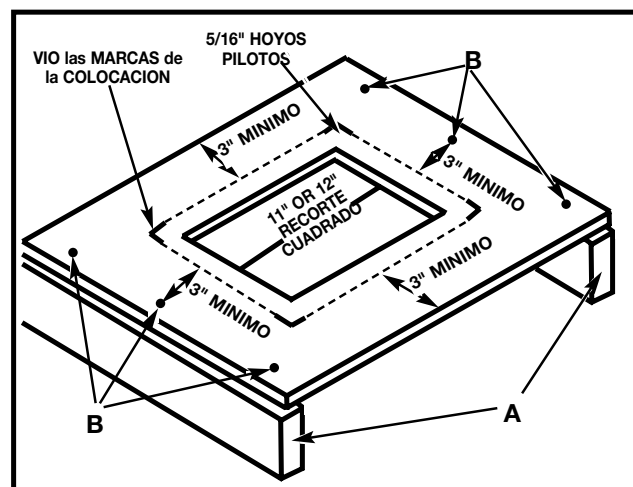


Fig. 4B

## MONTAJE DE LA BASE

1. Arme la base como se muestra en la fig. 4c, con pernos de cabeza de hongo 16m de 8 x 1,25 x 20 mm, arandelas planas de 9,52 mm (3/8") y tuercas hexagonales m de 8 x 1,25. Alinee los orificios en los pies de la base (f) con los orificios en los soportes. inserte el perno de cabeza de hongo a través del orificio en el pie y en el soporte, coloque una arandela plana en el perno de cabeza de hongo y enrosque en el mismo una tuerca hexagonal. Repita este proceso para los 15 orificios restantes en los pies y los soportes.

**NOTA: FIJE EL EQUIPO SIN EXCESIVA FIRMEZA PARA UN AJUSTE POSTERIOR.**

Encontrará letras en los soportes de la base para facilitar el montaje:

- A: Abrazaderas superiores delanteras y traseras
- B: Abrazaderas superiores laterales
- C: Abrazaderas inferiores laterales
- C: Abrazaderas inferiores delanteras y traseras

2. Fije las patas de goma (e), fig. 4c, a la parte inferior de cada pie (f).

**NOTA:** Cada pata de goma viene provista con orificios para montar la base a la superficie del piso, si fuera necesario.

## SIERRA A LA BASE

1. De vuelta a la mesa de la sierra en un trozo de cartón para proteger la superficie de la mesa. Invierta la base sobre la sierra y alinee los cuatro orificios de la base con los orificios de montaje en la sierra.
2. Coloque una arandela plana de 9,52 mm (3/8") en un tornillo de cabeza hexagonal M8 x 1,25 x 45 mm. Inserte el tornillo de cabeza hexagonal a través del orificio de montaje en la sierra y el orificio en la base. Coloque otra arandela plana de 9,52 mm (3/8") en el tornillo de cabeza hexagonal y enrosque una tuerca hexagonal M8 x 1,25 en el mismo y ajuste sin excesiva firmeza. Realice el mismo proceso para los tres orificios restantes.
3. Sostenga la sierra de manera vertical, como se muestra en la Fig. 4D. (Aquí, la sierra aparece totalmente armada).
4. Presione hacia abajo sobre la parte superior de la sierra de modo que los pies de la base se ajusten a la superficie del suelo. Ajuste todo el equipo con firmeza.

## COLOCACIÓN DEL VOLANTE PARA AJUSTAR LA ALTURA DE LA HOJA

1. Inserte un tornillo de cabeza troncocónica M6 x 1 x 55 mm (D), Fig. 5, a través del mango (E). Sujete el mango (E) al volante (A) enroscando el tornillo (D) en el volante en el sentido de las agujas del reloj.
2. Fije el volante (A), Fig. 6, al eje (B). Alinee la parte plana en el interior del volante con la parte plana en el eje.
3. Fije el volante (A), Fig. 7, al eje (B) con un tornillo de cabeza plana M6 x 1 x 12 mm (C).



## COLOCACIÓN DEL ENSAMBLE DE GUARDA DE LA HOJA Y HEDIDOR

**⚠ ADVERTENCIA** DESCONECTE LA MÁQUINA DE LA FUENTE DE ALIMENTACIÓN.

**⚠ ADVERTENCIA** ALINEE CORRECTAMENTE EL ENSAMBLE DE GUARDA DE LA HOJA Y HENDIDOR CON LA HOJA DE LA SIERRA PARA PREVENIR EL RETROCESO.

1. Coloque la hoja a 90 grados de la mesa y trábela en el lugar.
2. Ajuste la abrazadera para el soporte del hendedor (A), Fig. 9, a la abrazadera del hendedor (B) con dos tornillos de cabeza hexagonal de 1/4-20 x 1/2" (C) y dos arandelas de bloqueo de diente externo de 6,35 mm [1/4"] (D).

**NOTA: Fije los tornillos sin excesiva firmeza para un ajuste posterior.**

3. Ubique el tornillo de cabeza hexagonal de 1/4-20x2" (G), Fig. 10. Coloque la arandela de bloqueo de diente interno de 6,35 mm [1/4"] (O), la arandela plana M6.4 (P) y la arandela de bloqueo de diente externo de 6,35 mm [1/4"] (R) en el tornillo (G).
4. Coloque el extremo embutido (E), Fig. 11, de la abrazadera del hendedor (B) contra el extremo de la barra giratoria (F) y ajuste utilizando el ensamble del PASO 3.

**NOTA: Fije el equipo sin excesiva firmeza para un ajuste posterior.**

5. Coloque el hendedor (H), Figura 13, contra la abrazadera del soporte del hendedor y asegúrese de que las dos protuberancias (K) en la abrazadera del soporte del hendedor estén dentro de la ranura del hendedor (H).
6. Fije el hendedor (H), Fig. 14, a la abrazadera del soporte del hendedor (B). Coloque una arandela de bloqueo de diente externo de 6,35 mm [1/4"] y una arandela plana M6.4 en un tornillo de cabeza hexagonal M6 x 1 x 20 mm (L).
7. Inserte el tornillo (L), Figura 14, a través de la abrazadera del soporte del hendedor (C) y del hendedor. Coloque una arandela plana M6.4 y una arandela de bloqueo de dientes externo de 6,35 mm [1/4"] en el tornillo (L). Enrosque una tuerca mariposa M6 x 1 (M), Figura 15, en el tornillo (L), Figura 15.  
**NOTA:** Antes de ajustar la tuerca mariposa (M), Figura 15, controle que haya una abertura de por lo menos 3,18 mm (1/8") entre el borde inferior del hendedor (N) y la superficie superior de la mesa (P) y que las protuberancias (K) queden fuera de la ranura del ensamble del hendedor (H).
8. Utilice un borde recto para ver si el hendedor (H), Figura 16, está alineado con la hoja de la sierra (R). Si fuera necesario realizar un ajuste, el hendedor (H) se puede rotar y mover hacia la izquierda o la derecha.
9. Una vez que el hendedor está alineado correctamente con la hoja de la sierra, ajuste los tornillos (C) y (G), Fig. 17.

## CALIBRADOR DE INGLETE

El calibrador de inglete viene ya ensamblado y provisto de una barra con una ranura en forma de T (A), Figura 18, que se inserta en cualquiera de las dos ranuras del calibrador de inglete en forma de T (B) ubicadas en la parte superior de la mesa. La ranura en T previene la caída del calibrador de inglete cuando se extiende más allá del frente de la mesa al cortar transversalmente piezas de madera muy anchas.

## COLOCACIÓN DEL SUJETADOR DEL CALIBRADOR DE INGLETE

**⚠ ADVERTENCIA** DESCONECTE LA MÁQUINA DE LA FUENTE DE ALIMENTACIÓN.

1. Ajuste la pinza de resorte (E), Fig. 19, al sujetador del calibrador de inglete (A) con un tornillo de cabeza troncocónica M4 x 0,7 x 10 mm (F), una arandela de bloqueo de diente externo de 4,75 mm [3/16"] (B) y una tuerca hexagonal M4 x 0,7.  
**NOTA:** La tuerca hexagonal (G), Fig. 20, encajará en la cavidad en la parte posterior del sujetador del calibrador de inglete (A), Fig. 19, para mantener la pinza de resorte (E) fija al sujetador del calibrador de inglete.
2. Ajuste el sujetador del calibrador de inglete (A), Fig. 21, al lado izquierdo del gabinete de la sierra con cuatro tornillos M4 x 0,2 x 10 mm (B), Fig. 22 y arandelas planas de 4,75 mm [3/16"] (C) desde el interior del gabinete.
3. La Fig. 23 muestra el calibrador de inglete (D) insertado en el sujetador.

## MONTAJE DE LA GUÍA DE CORTE

1. Enrosque la tuerca hexagonal M8 x 1,25 (A), Fig. 24, aproximadamente hasta la mitad, en la clavija del mango (B).
2. Enrosque el mango (B), Fig. 24, en el orificio roscado (C) en la leva de la guía (D). Fije la tuerca hexagonal (A), Fig. 25, contra la leva (D).
3. La guía de corte generalmente se instala del lado derecho de la mesa de la sierra. Levante el mango de bloqueo (B), Fig. 26, y ubique la guía sobre la mesa. Empuje el mango hacia abajo (B), Fig. 26, para trabar la guía en el lugar

# OPERACIÓN

## CONTROLES DE OPERACIÓN Y AJUSTES

### ENCENDIDO Y APAGADO DE LA SIERRA

El interruptor de encendido/apagado (A), Fig. 27, está ubicado en el frente del gabinete de la sierra. Para "ENCENDER" la sierra, mueva el interruptor (A) hacia arriba hasta la posición de "ENCENDIDO" (ON). Para "APAGAR" la sierra, mueva el interruptor (A) hacia abajo hasta la posición de "APAGADO" (OFF).

**▲ ADVERTENCIA** ASEGÚRESE DE QUE EL INTERRUPTOR ESTÉ EN LA POSICIÓN DE "APAGADO" (OFF) ANTES DE ENCHUFAR EL CABLE DE ALIMENTACIÓN. EN CASO DE UN CORTE DE CORRIENTE, MUEVA EL INTERRUPTOR A LA POSICIÓN DE "APAGADO" (OFF). UN ARRANQUE ACCIDENTAL PODRÍA CAUSAR LESIONES.

### BLOQUEO DEL INTERRUPTOR EN LA POSICIÓN DE "APAGADO" (OFF)

**IMPORTANTE:** Cuando la herramienta no se utilice, bloquee el interruptor en la posición de "APAGADO" (OFF) para prevenir el uso no autorizado. Para bloquear la herramienta, tome la palanca del interruptor (B) y hale del interruptor hacia afuera (Fig. 28). Al quitar la palanca del interruptor (B), éste no operará. Sin embargo, si se extrajera la palanca del interruptor mientras la sierra está funcionando, la máquina se puede "APAGAR", pero no se puede volver a encender sin reinsertar la palanca del interruptor (B).

### AJUSTE DE LA ALTURA DE LA HOJA

Para ajustar la altura de la hoja de la sierra, gire el volante (A), Fig. 29. Si rota el volante en el sentido de las agujas del reloj, la hoja descenderá y si lo gira en el sentido inverso a las agujas del reloj, la hoja se elevará.

### AJUSTE DE LA INCLINACIÓN DE LA HOJA

Para inclinar la hoja de la sierra, afloje el mango de bloqueo (A),

Fig. 30, y mueva el volante (B) hasta que la hoja quede en el ángulo deseado. Ajuste el mango de bloqueo (A).

**NOTA:** El mango de bloqueo (A) funciona a resorte. Extraiga el mango (A) y reposiciónelo en la clavija dentada ubicada debajo del mismo.

**▲ ADVERTENCIA** EL MANGO DE BLOQUEO DE INCLINACIÓN DE LA HOJA (A) DEBE ESTAR TRABADO DURANTE TODAS LAS OPERACIONES DE CORTE.

## AJUSTES DE TOPES POSITIVOS A 90 Y 45 GRADOS.

La sierra está equipada con topes positivos para un posicionamiento rápido y exacto de la hoja de la sierra a 90 y 45 grados de la mesa.

**▲ ADVERTENCIA** DESCONECTE LA MÁQUINA DE LA FUENTE DE ALIMENTACIÓN.

### AJUSTAR UN TOPE POSITIVO A 90 GRADOS

1. Eleve la hoja de la sierra a la altura máxima.
2. Afloje el mango de bloqueo de inclinación de la hoja (A), Fig. 30, mueva el mecanismo de inclinación de la hoja (B) hacia la izquierda, tan lejos como sea posible, y ajuste el mango de bloque de inclinación de la hoja (A).
3. Coloque una escuadra (A), Fig. 31, en la mesa con uno de sus extremos contra la hoja y verifique que la hoja esté a 90 grados de la mesa. De lo contrario, afloje el tornillo (B) algunas vueltas, Fig. 31, y mueva el mecanismo de inclinación de la hoja hasta que ésta quede a 90 grados de la mesa. Ajuste el mango de bloqueo de inclinación de la hoja (A), Fig. 30, y el tornillo (B), Fig. 31, hasta que se detenga.

### AJUSTAR UN TOPE POSITIVO A 45 GRADOS

1. Eleve la hoja de la sierra a la altura máxima.
2. Afloje el mango de bloqueo de inclinación de la hoja (A), Fig. 31, mueva el mecanismo de inclinación de la hoja (B) hacia la derecha, tan lejos como sea posible, y ajuste el mango de bloque de inclinación de la hoja (A).
3. Coloque una escuadra (A), Fig. 32, en la mesa con un extremo de la escuadra contra la hoja y verifique que la hoja esté a 45 grados de la mesa. De lo contrario, afloje el tornillo (C) algunas vueltas, Fig. 32, y mueva el mecanismo de inclinación de la hoja (B), Fig. 30, hasta que ésta quede a 45 grados de la mesa. Ajuste el mango de bloqueo de inclinación de la hoja (A), Fig. 30, y el tornillo (C), Fig. 32, hasta que se detenga.

## OPERACIÓN DE LA GUÍA DE CORTE Y AJUSTES

1. Mueva la guía de corte (A), Fig. 33, a lo largo de la mesa, levante la palanca de bloqueo de la guía (B), deslice la guía hasta la ubicación deseada en la mesa y presione la palanca de bloqueo de la guía hacia abajo.
2. El indicador señala la distancia desde la guía hasta la hoja de la sierra. Si se requiere una modificación, afloje el tornillo (C), Fig. 37, y realice el ajuste.

**IMPORTANTE:** La guía de corte debe estar alineada correctamente con la ranura del calibrador de inglete para prevenir el retroceso al cortar longitudinalmente.

3. La hoja de la sierra viene instalada de fábrica, en forma paralela a la ranura del calibrador de inglete. La guía debe estar en forma paralela a la ranura del calibrador de inglete para realizar un trabajo preciso y prevenir el retroceso al cortar longitudinalmente. Para verificar la alineación:
4. Coloque la guía junto a la ranura del calibrador de inglete (Fig. 33). Asegure la guía a la mesa empujando la palanca de bloqueo (B) hacia abajo. El borde de la guía debe quedar paralelo a la ranura del calibrador de inglete.
5. Si fuera necesario un ajuste, afloje los dos tornillos (D), Figura 33, y levante la palanca de bloqueo (B). Mientras sostiene el soporte de la guía (F) firmemente hacia el frente de la sierra, mueva la parte posterior de la guía (A) hasta que quede paralela a la ranura del calibrador de inglete. Ajuste los dos tornillos (D) y empuje la palanca de bloqueo hacia abajo (B).
6. Ajuste la acción de sujeción de la guía (A), Fig. 33, elevando la palanca de bloqueo (B) y girando el tornillo (E) en el sentido de las agujas del reloj para aumentar la acción de sujeción de la guía, o en el sentido inverso de las agujas del reloj para disminuirla.

**▲ ADVERTENCIA** DESCONECTE LA MÁQUINA DE LA FUENTE DE ALIMENTACIÓN.

### AJUSTE DEL INSERTO PARA MESA

1. Revise que el inserto para mesa (A), Fig. 33A, esté a ras, o apenas debajo, de la superficie de la mesa (B) en el borde delantero del inserto y a ras, o apenas por encima, de la superficie de la mesa en el borde trasero del inserto.
2. Si el inserto para mesa está por encima de la superficie de la mesa, ajuste los dos tornillos del inserto (C), Fig. 33A, para hacerlo descender.

## OPERACIÓN DEL CALIBRADOR DE INGLETE Y AJUSTES

Para el corte transversal (con la hoja a 90 grados de la mesa), se puede utilizar el calibrador de inglete en cualquiera de las ranuras de la mesa. Para el corte transversal biselado (con la hoja inclinada), use el calibrador de inglete únicamente en la ranura correcta de la mesa, de modo que la hoja se incline alejándose del calibrador de inglete y de sus manos.

Para poner en funcionamiento el calibrador de inglete, afloje la perilla de bloqueo (E),

Fig. 34, y gire el calibrador de inglete hasta obtener el ángulo deseado.

## AJUSTE DE LA HOJA EN FORMA PARALELA A LAS RANURAS DEL CALIBRADOR DE INGLETE

La hoja viene instalada de fábrica en forma paralela a las ranuras del calibrador de inglete. Revise este ajuste para asegurar cortes precisos y tratar de prevenir el retroceso.

Para ajustar:

### **▲ ADVERTENCIA** DESCONECTE LA MÁQUINA DE LA FUENTE DE ALIMENTACIÓN.

1. Eleve la hoja hasta la posición más alta y ajústela de modo que quede a 90 grados de la mesa.
2. Seleccione un diente de la sierra que esté hacia la izquierda. Marque este diente con un lápiz o un rotulador.
3. Utilice una escuadra de combinación (A), Fig. 35, contra la ranura del calibrador de inglete y ajuste la hoja (B) de la escuadra hasta que toque el diente marcado.
4. Gire la hoja y verifique el mismo diente de la hoja marcado en la parte posterior de la mesa de la sierra (Fig. 36).
5. Si las medidas delanteras y traseras (Figuras 35 y 36) no son idénticas, ajuste la hoja. Comience por aflojar las tuercas debajo de los cuatro tornillos de la mesa (C), Fig. 37. Luego afloje los tornillos (C). Mueva con cuidado la hoja de la sierra hasta que quede paralela a la ranura del calibrador de inglete. Una vez hecho esto, apriete con firmeza las cuatro tuercas debajo de los cuatro tornillos (C), Fig. 37.

**NOTA:** Si no se puede obtener una regulación suficiente al aflojar los tornillos (C), Fig. 37, afloje el tornillo (D), Fig. 37, según sea necesario para realizar el ajuste.

## CAMBIO DE LA HOJA

### **▲ ADVERTENCIA** DESCONECTE LA MÁQUINA DE LA FUENTE DE ALIMENTACIÓN. Utilice hojas de sierra con un diámetro de 254 mm (10") calificadas para 4700 RPM o mayor. Utilice únicamente hojas de sierra con orificios para mandril de 15,88 mm (5/8").

1. Eleve la hoja de la sierra a la altura máxima y extraiga el inserto para mesa (A), Fig. 38.
2. Coloque una pieza de madera (B), Fig. 38, en forma plana sobre la mesa, contra la hoja de manera que un diente de la hoja pueda "agarrar" la madera y así mantener la hoja sin que se doble. Quite la tuerca del mandril (C) con la llave para cambio de hoja (D). Gire la tuerca (C) en el sentido inverso a las agujas del reloj para extraerla. Quite la brida externa de la hoja (E) y la hoja de la sierra (F).
3. Realice el procedimiento inverso para instalar la hoja nueva.

## USO DE LA MÁQUINA

Las operaciones comunes de corte con sierra incluyen los cortes longitudinales y transversales, además de algunas otras operaciones estándar fundamentales. Como sucede con todas las máquinas eléctricas, hay un determinado margen de peligro relacionado con el funcionamiento y el uso de la máquina. El uso de la máquina de conformidad con y con la precaución que exigen las medidas de seguridad disminuirá considerablemente la posibilidad de lesiones personales. No obstante, si no se presta la debida atención a las medidas de seguridad normales o se las ignora por completo, el operador puede lesionarse. La siguiente información describe el método adecuado y seguro de realizar las operaciones más comunes de corte con sierra.

### **▲ ADVERTENCIA** EL USO DE SUPLEMENTOS Y ACCESORIOS NO RECOMENDADOS POR Black & Decker PUEDE PROVOCAR RIESGOS DE LESIONES AL USUARIO O A OTRAS PERSONAS.

## CORTE TRANSVERSAL

El corte transversal requiere del uso de un calibrador de inglete para guiar y ubicar la pieza de trabajo en la posición correcta. Coloque la pieza contra el calibrador de inglete y haga avanzar tanto el calibrador como la pieza de trabajo hacia la hoja de la sierra, como se muestra en la Fig. 39. El calibrador de inglete puede utilizarse en cualquiera de las ranuras de la mesa. Cuando haga un corte biselado (con la hoja inclinada), utilice la ranura de la mesa que no interfiere con su mano o el calibrador de inglete con la guarda de la hoja de la sierra.

Comience el corte lentamente y sostenga el trabajo con firmeza contra el calibrador de inglete y la mesa. Una de las reglas para el funcionamiento de una sierra es que nunca debe tocar o colgarse de una pieza de trabajo suelta. Sostenga la parte apoyada, no la parte suelta que se corta. La alimentación en el corte transversal continúa hasta que el trabajo se corte en dos, y tanto el calibrador de inglete como el trabajo se vuelvan a colocar en el punto inicial. Antes de eso, es aconsejable correr la pieza de trabajo un poco hacia un lado para alejarla ligeramente de la hoja de la sierra.

**Nunca** tome ningún trozo pequeño que quedó suelto en la mesa mientras la sierra está en funcionamiento.

**Nunca** toque una pieza cortada a menos que tenga por lo menos 30 cm (un pie) de longitud.

Para mayor seguridad y conveniencia, el calibrador de inglete (A) puede ajustarse con un revestimiento de madera auxiliar (B), como se muestra en la Fig. 39A, que debe ser por lo menos 2,54 cm (1 pulgada) más alto que la profundidad máxima de corte y debe extenderse 30,48 cm (12 pulgadas) o más hacia un lado o el otro, según en qué ranura del calibrador de inglete sea utilizado. Este revestimiento de madera auxiliar (B) puede sujetarse al frente del calibrador de inglete con dos tornillos para madera (C) a través de los orificios provistos en el cuerpo del calibrador y del revestimiento de madera.

### **▲ ADVERTENCIA NUNCA USE LA GUÍA COMO UN CALIBRADOR PARA EL CORTE TRANSVERSAL.**

Cuando corte transversalmente un número de piezas de la misma longitud, puede fijar un bloque de madera (B), Fig. 39B a la guía y utilizarlo como un calibrador de corte como lo muestra la Fig. 39B. Es importante que este bloque de madera siempre esté ubicado delante de la hoja de la sierra como en la ilustración. Una vez determinada la longitud del corte, asegure la guía y utilice el calibrador de inglete para introducir el trabajo en el corte. Este bloque de madera permite que la pieza cortada se mueva libremente a lo largo de la superficie de la mesa sin quedar atascada entre la guía y la hoja de la sierra; de este modo, la posibilidad de retroceso y lesiones al operador es menor.

### **▲ ADVERTENCIA CUANDO UTILICE EL BLOQUE (B), FIG. 39B, COMO CALIBRADOR DE CORTE, ES MUY IMPORTANTE QUE EL EXTREMO POSTERIOR DEL BLOQUE ESTÉ UBICADO DE MODO QUE LIBERE LA PIEZA DE TRABAJO ANTES QUE ÉSTA ENTRE EN CONTACTO CON LA HOJA.**

## CORTE LONGITUDINAL

El corte longitudinal se realiza a lo largo de una tabla. La guía de corte (A), Fig. 40, se utiliza para guiar y ubicar la pieza de trabajo en la posición correcta. Un borde del trabajo corre contra la guía de corte mientras que el lado plano de la tabla descansa sobre la mesa. Debido a que el trabajo es empujado a lo largo de la guía, debe tener un borde recto y un contacto firme con la mesa. Se debe usar la guarda de la hoja de la sierra. La guarda tiene dedos de antiretroceso para prevenir el retroceso y un hendedor para evitar que el corte de la madera se cierre y atasque la hoja.

1. Encienda el motor y haga avanzar el trabajo, sosteniéndolo hacia abajo y contra la guía. **Nunca** se pare en la línea de corte de la sierra mientras realiza el corte longitudinal. Sostenga el trabajo con ambas manos y empújelo a lo largo de la guía y hacia la hoja de la sierra (Fig. 40). Luego puede introducirlo en la hoja de la sierra con una o ambas manos. Después de que el trabajo pasó la hoja de la sierra y los dedos de antiretroceso, retire la mano. Una vez terminado esto, el trabajo quedará en la mesa, apenas inclinado y atrapado por el extremo de la guía posterior, o se deslizará de la mesa al piso. Alternativamente, la alimentación puede continuar hasta el final de la mesa y después de eso, se levanta el trabajo y se lo lleva junto al borde externo de la guía. El material cortado permanece en la mesa y no debe tocarse hasta que se haya detenido la hoja de la sierra, a menos que la pieza sea grande y permita una remoción sin peligro. Cuando se cortan longitudinalmente tablas de más de 9,14 m (3 pies) de largo, utilice un apoyo para el trabajo en la parte posterior de la sierra para que la pieza no se caiga de la mesa de la sierra.

2. Si el trabajo cortado longitudinalmente tiene menos de 10 cm (4 pulgadas) de ancho, siempre debe usarse una vara para empujar para completar la alimentación, como se muestra en la Fig. 41. La vara para empujar puede realizarse fácilmente a partir de material de desecho, según se explica en la sección “**CONSTRUCCIÓN DE UNA VARA PARA EMPUJAR**”.

3. El corte longitudinal de piezas angostas puede resultar peligroso si no se hace con cuidado. Generalmente, las piezas angostas no pueden cortarse con la guarda en su lugar. Si la pieza de trabajo es muy corta, utilice una tabla para empujar. Cuando corta material de un ancho menor a 5 cm (2 pulgadas), una tabla plana para empujar es un accesorio provechoso, dado que las varas comunes pueden interferir con la guarda de la hoja. Cuando use una tabla para empujar, se debe sumar el ancho de ésta al ancho de la configuración de la posición de la guía de corte. Una tabla plana para empujar puede construirse como se ve en la Fig. 43 y debe utilizarse como se muestra en la Fig. 42.

**NOTA:** Algunas operaciones especiales (al utilizar el cabezal portacuchilla para moldura) requieren que se incorpore a la guía, un revestimiento de madera auxiliar, como se explica en la sección “**UTILIZACIÓN DE UN REVESTIMIENTO DE MADERA EN LA GUÍA DE CORTE**”, y el uso de una vara para empujar.

## UTILIZACIÓN DE UN REVESTIMIENTO DE MADERA EN LA GUÍA DE CORTE

Los revestimientos de madera (A), Fig. 43A, son necesarios en algunas operaciones especiales en uno o ambos lados de la guía de corte. El revestimiento de madera se sujeta a la guía con tornillos a través de los orificios de la guía. La mayoría de los trabajos necesitarán material de 19,05 mm (3/4"), aunque algún trabajo eventual podría requerir un revestimiento de 25,4 mm(1").

Fig. 43A - BLOQUE DE 2" x 4", MADERA CONTRACHAPADA DE 3/4", ANCHURA DE LA MESA DE LA SIERRA + 2"

### CABEZAL PORTACUCHILLA ACCESORIO PARA RANURAS

**NOTA: EL ANCHO MÁXIMO DE CORTE DE RANURAS PARA ESTA SIERRA ES DE 12,7 MM (1/2 PULGADA).**

**⚠ ADVERTENCIA EL ENSAMBLE DE LA GUARDA DE LA HOJA Y EL HENDEDOR NO PUEDE SER UTILIZADO AL REALIZAR RANURAS. DEBE EXTRAERSE.**

Antes de realizar las ranuras, afloje la tuerca mariposa (A), Fig. 44, y extraiga el ensamble de la guarda y el hendedor (B). Mantenga el ensamble a mano para volver a colocarlo luego de cortar la ranura.

1. Cortar ranuras consiste en realizar un rebajo o surco ancho en la pieza de trabajo. La mayoría de los juegos de cabezales para ranuras están compuestos de dos sierras externas y cuatro o cinco cuchillas internas, (Fig. 44A). Se utilizan diversas combinaciones de sierras y cuchillas para cortar ranuras desde 3,18 mm (1/8") hasta 20,63 mm (13/16") para la instalación de estantes y la realización de uniones, espigas, ranuras, etc. Las cuchillas son muy indentadas y deben estar dispuestas de tal modo que la porción pesada caiga dentro de los pasos de las sierras externas, como se muestra en la Fig. 45. La superposición de la sierra y la cuchilla se distingue en la Fig. 46, siendo (A) la sierra externa, (B) una cuchilla interna y (C) una arandela o arandelas de papel, usadas según sea necesario para controlar el ancho exacto de la ranura. Para cortar una ranura de 6,35 mm (1/4") se utilizan dos sierras externas. Los dientes de las sierras deben estar ubicados de manera que el rastrillador de una sierra quede junto a los dientes de corte de la otra sierra.

2. Sujete el juego de cabezales para ranuras (D), Fig. 47, al mandril de la sierra.

**NOTA: LA BRIDA EXTERNA DEL MANDRIL NO PUEDE UTILIZARSE CON EL JUEGO DE CABEZALES PARA RANURAS; AJUSTE LA TUERCA DEL MANDRIL CONTRA EL CUERPO DEL JUEGO DE CABEZALES PARA RANURAS. NO PIERDA LA BRIDA EXTERNA DEL MANDRIL. SERÁ NECESARIA AL REAJUSTAR UN HOJA AL MANDRIL.**

**⚠ PRECAUCIÓN EL INSERTO PARA MESA DEL JUEGO DE CABEZALES PARA RANURAS (E), FIG. 47, DEBE UTILIZARSE EN LUGAR DEL INSERTO ESTÁNDAR. ESTÁ DISPONIBLE COMO PARTE DEL SERVICIO A TRAVÉS DE UN CENTRO DE MANTENIMIENTO BLACK & DECKER.**

**⚠ ADVERTENCIA EL ENSAMBLE DE GUARDA DE LA HOJA Y HENDEDOR NO PUEDE UTILIZARSE CUANDO SE REALICEN CORTES DE RANURAS Y SE DEBE EXTRAER O LLEVAR HACIA LA PARTE POSTERIOR DE LA SIERRA. ADEMÁS, SE DEBEN USAR BARRAS, ACCESORIOS, VARAS PARA EMPUJE Y TABLAS DE CANTO BISELADO.**

3. La Fig. 48 muestra una operación típica de corte de ranura con el calibrador de inglete como guía.

**⚠ PRECAUCIÓN NUNCA UTILICE EL CABEZAL PARA RANURAS EN LA POSICIÓN DE BISELADO.**

**⚠ ADVERTENCIA SIEMPRE INSTALE LA GUARDA DE LA HOJA LUEGO DE QUE HAYA FINALIZADO LA OPERACIÓN.**

### CONSTRUCCIÓN DE UN PALO DE EMPUJAR

Cuando vaya a cortar a lo largo materiales de menos de 100 mm (4 pulg.) de ancho, deber a utilizarse una vara de empuje para completar la alimentación. La vara puede hacerse fácilmente de material descartado.

**VARA DE EMPUJE HAGASE DE MADERA DE 1/2" O 3/4" (12.7 ó 19 mm) O UN ESPESOR MENOR QUE LA ANCHURA DEL MATERIAL A SER CORTADO. CORTE AQUI PARA EMPUJAR †MADERA DE 1/4" (6.4 mm). CORTE AQUI PARA EMPUJAR †MADERA DE 1/2" (12.7 mm). MUESCA PARA AYUDAR A PREVENIR QUE LA MANO SE RESBALE. CUADROS DE 1/2" (12.7 mm)**

### CONSTRUCCIÓN DE UNA TABLA DE CANTO BISELADO

La Fig. 49 ilustra las dimensiones para realizar una tabla de canto biselado típica. Construya la tabla de canto biselado a partir de una pieza de madera recta y libre de nudos y grietas. Las tablas de canto biselado se utilizan para mantener el trabajo en contacto con la guía y la mesa y para prevenir retrocesos. Sujete la tabla de canto biselado a la guía y la mesa de modo que el borde guía de la tabla de canto biselado sostenga la pieza de trabajo hasta que se complete el corte. Utilice tablas de canto biselado para todas las operaciones que no sean longitudinales o transversales, donde el ensamble de guarda y esparcidor debe extraerse (vea la Fig. 50). Siempre vuelva a colocar el ensamble de guarda y esparcidor cuando la operación haya finalizado.

Fig. 49

El corte debe estar separado por 6,35 mm (1/4") aproximadamente

# MANTENIMIENTO

## MANTENGA LA MÁQUINA LIMPIA

Periódicamente sople por todas las entradas de aire con aire comprimido seco. Todas las piezas de plástico deben limpiarse con un paño suave y húmedo. NUNCA utilice solventes para limpiar las piezas de plástico. Podrían derretirse o dañar el material.

**▲ ADVERTENCIA** Use anteojos de seguridad según el ANSI Z87.1 cuando trabaje con aire comprimido.

## FALLA EN EL ENCENDIDO

Si la máquina no enciende, verifique que las patas del enchufe del cable hagan buen contacto en el tomacorriente. Además, revise que no haya fusibles quemados o interruptores automáticos de circuito abierto en la línea.

## LUBRICACIÓN

Aplique semanalmente cera en pasta para pisos a la mesa de la máquina y a la extensión u otra superficie de trabajo.

## PROTECCIÓN ANTIÓXIDO PARA EL HIERRO FUNDIDO

Para limpiar y proteger las mesas de hierro fundido contra el óxido, necesitará los siguientes materiales: 1 bloque de empuje de empalmadora, 1 hoja de Almohadilla Manual para Matizado mediana Scotch-Brite™, 1 lata de WD-40®, 1 lata de desgrasador, 1 lata de TopCote® Aerosol. Aplique el WD-40 y pula la superficie de la mesa con la almohadilla Scotch-Brite utilizando el bloque de empuje como sujeción. Desgrase la mesa y aplique TopCote® según el caso.

# DETECCIÓN DE PROBLEMAS

## ASEGÚRESE DE SEGUIR LAS REGLAS E INSTRUCCIONES DE SEGURIDAD

### PROBLEMA: LA SIERRA NO ENCIENDE

#### ¿QUÉ SUCEDE?

1. La sierra no está enchufada.
2. Fusible quemado o interruptor automático activado.
3. Cable dañado.
4. Cepillos gastados.

#### QUÉ HACER...

1. Enchufe la sierra.
2. Reemplace el fusible o reinicie el interruptor automático.
3. Llévela al centro de mantenimiento autorizado para que le cambien el cable.
4. Llévela al centro de mantenimiento autorizado para que le cambien los cepillos.

### PROBLEMA: LA SIERRA REALIZA CORTES NO SATISFATORIOS

#### ¿QUÉ SUCEDE?

1. Hoja sin filo.
2. Hoja montada al revés.
3. Depósitos de goma o grumos de resina sobre la hoja.
4. Hoja incorrecta para el trabajo que se realiza.

#### QUÉ HACER...

1. Reemplace la hoja.
2. Dele vuelta a la hoja.
3. Retire la hoja y limpie con aguarrás.
4. Cambie la hoja.

### PROBLEMA: LA HOJA NO ALCANZA VELOCIDAD

#### ¿QUÉ SUCEDE?

1. Cable prolongador demasiado liviano o demasiado largo.
2. Baja corriente en el hogar.

#### QUÉ HACER...

1. Reemplácelo por un cable de tamaño adecuado.
2. Comuníquese con la empresa de energía eléctrica.

### PROBLEMA: LA MÁQUINA VIBRA EXCESIVAMENTE

#### ¿QUÉ SUCEDE?

1. El soporte o el banco están sobre un piso desparejo.
2. Hoja de sierra dañada.

#### QUÉ HACER...

1. Reubique sobre una superficie plana.
2. Reemplace la hoja.

### PROBLEMA: NO REALIZA CORTES DE INGLETE PRECISOS

#### ¿QUÉ SUCEDE?

1. La escala de inglete no está correctamente regulada.
2. La hoja no está en escuadra con la guía.
3. La hoja no está perpendicular a la mesa.
4. La pieza de trabajo se mueve.

#### QUÉ HACER...

1. Verifíquela y ajústela.
2. Verifíquela y ajústela.
3. Verifique y ajuste la guía.
4. Sujete la pieza de trabajo a la guía o adhiera un papel de lija número 120 a la guía con cemento para caucho.

## Información de mantenimiento

Black & Decker ofrece una amplia red de puntos de mantenimiento propios y autorizados en toda Norteamérica. Todos los Centros de mantenimiento de Black & Decker cuentan con personal altamente capacitado dispuesto a brindar a todos los clientes un servicio eficiente y confiable en la reparación de herramientas eléctricas.

Si necesita consejo técnico, reparaciones o piezas de repuesto originales de fábrica, póngase en contacto con el centro de mantenimiento de Black & Decker más cercano a su domicilio.

Para ubicar a su centro de mantenimiento local, consulte "Herramientas eléctricas" (Tools-Electric) en la sección amarilla, o llame al: **(55)5326-7100**

## Accesorios

Los accesorios que se recomiendan para la sierra están disponibles a través de su distribuidor local o en el centro de mantenimiento autorizado. Si necesita ayuda con respecto a los accesorios, llame al: **(55)5326-7100**.

**⚠ ADVERTENCIA** La utilización de accesorios no recomendados puede ser peligrosa.

## Garantía completa de dos años para uso en el hogar

Black & Decker (EE.UU.) Inc. ofrece una garantía de dos años por cualquier defecto del material o de fabricación de este producto. El producto defectuoso se reparará o reemplazará sin costo alguno de una de las siguientes maneras:

La primera opción, el reemplazo, consiste en devolver el producto al comercio en el que se lo adquirió (siempre y cuando se trate de un comercio participante). Las devoluciones deben realizarse conforme con la política de devolución del comercio (generalmente, entre 30 y 90 días posteriores a la venta). Tal vez se solicite la presentación del comprobante de compra. Consulte en el comercio acerca de la política especial sobre devoluciones una vez excedido el plazo establecido.

La segunda opción es llevar o enviar el producto (con flete pago) a un Centro de mantenimiento propio o autorizado de Black & Decker para su reparación o reemplazo, según nuestro criterio. Tal vez se solicite la presentación del comprobante de compra. Encontrará una lista de los centros de mantenimiento autorizados y de propiedad de Black & Decker en "Herramientas eléctricas" (Tools-Electric) en las páginas amarillas de la guía telefónica.

Esta garantía no se extiende a los accesorios. Esta garantía le concede derechos legales específicos que pueden variar según el estado. Ante cualquier inquietud, comuníquese con el Centro de mantenimiento de Black & Decker más cercano.

Este producto no es para uso comercial.

**REEMPLAZO GRATUITO DE LAS ETIQUETAS DE ADVERTENCIA:** Si le faltan etiquetas de advertencia o están ilegibles, llame al **(55)5326-7100** para que se le reemplacen gratuitamente.

### Para reparación y servicio de sus herramientas eléctricas, favor de dirigirse al Centro de Servicio más cercano:

#### CULIACAN, SIN

Av. Nicolás Bravo #1063 Sur  
(667) 7 12 42 11  
Col. Industrial Bravo

#### GUADALAJARA, JAL

Av. La Paz #1779  
(33) 3825 6978  
Col. Americana Sector Juarez

#### MEXICO, D.F.

Eje Central Lázaro Cardenas  
No. 18  
(55) 5588 9377  
Local D, Col. Obrera

#### MERIDA, YUC

Calle 63 #459-A  
(999) 928 5038  
Col. Centro

#### MONTERREY, N.L.

Av. Francisco I. Madero  
No.831  
(81) 8375 2313  
Col. Centro

#### PUEBLA, PUE

17 Norte #205  
(222) 246 3714  
Col. Centro

#### QUERETARO, QRO

Av. Madero 139 Pte.  
(442) 214 1660  
Col. Centro

#### SAN LUIS POTOSI, SLP

Av. Universidad 1525  
(444) 814 2383  
Col. San Luis

#### TORREON, COAH

Bldv. Independencia, 96 Pte.  
(871) 716 5265  
Col. Centro

#### VERACRUZ, VER

Prolongación Díaz Mirón #4280  
(229)921 7016  
Col. Remes

#### VILLAHERMOSA, TAB

Constitución 516-A  
(993) 312 5111  
Col. Centro

**PARA OTRAS LOCALIDADES LLAME AL: (55) 5326 7100**

### ESPECIFICACIONES

Tensión de alimentación: 120V AC Potencia nominal: 1451 W  
Frecuencia de operación: 60 Hz Consumo de corriente: 13 A

Vea "Herramientas  
eléctricas (Tools-Electric)"  
- Páginas amarillas -  
para Servicio y ventas



BLACK & DECKER S.A. DE C.V.  
BOSQUES DE CIDROS ACCESO RADIATAS NO. 42  
COL. BOSQUES DE LAS LOMAS.  
05120 MÉXICO, D.F.  
TEL. 55-5326-7100



## Free Manuals Download Website

<http://myh66.com>

<http://usermanuals.us>

<http://www.somanuals.com>

<http://www.4manuals.cc>

<http://www.manual-lib.com>

<http://www.404manual.com>

<http://www.luxmanual.com>

<http://aubethermostatmanual.com>

Golf course search by state

<http://golfingnear.com>

Email search by domain

<http://emailbydomain.com>

Auto manuals search

<http://auto.somanuals.com>

TV manuals search

<http://tv.somanuals.com>