

7-1/4" (184mm) Circular Saw

INSTRUCTION MANUAL

Catalog Numbers FS1400CS, FS1300CS

**BEFORE RETURNING THIS PRODUCT
FOR ANY REASON PLEASE CALL**

1-800-544-6986

**IF YOU SHOULD EXPERIENCE A PROBLEM
WITH YOUR BLACK & DECKER PRODUCT,
CALL 1-800-544-6986**

BEFORE YOU CALL, HAVE THE FOLLOWING INFORMATION AVAILABLE, CATALOG No., TYPE No., AND DATE CODE. IN MOST CASES, A BLACK & DECKER REPRESENTATIVE CAN RESOLVE THE PROBLEM OVER THE PHONE. IF YOU HAVE A SUGGESTION OR COMMENT, GIVE US A CALL. YOUR FEEDBACK IS VITAL TO BLACK & DECKER.

KEY INFORMATION YOU SHOULD KNOW:

- A sharp blade will improve performance dramatically.
- A dull blade will cause slow, inefficient cutting.
- Always support work properly. (See illustrations on work support in this manual.)

SAVE THIS MANUAL FOR FUTURE REFERENCE.

VEA EL ESPAÑOL EN LA CONTRAPORTADA.

INSTRUCTIVO DE OPERACIÓN, CENTROS DE SERVICIO Y PÓLIZA DE GARANTÍA. **ADVERTENCIA:** LEA ESTE INSTRUCTIVO ANTES DE USAR EL PRODUCTO.

Cat. # FS1400CS, FS1300CS Form. # 623521-01 (APR-04-1) Copyright © 2004 Black & Decker Printed in Mexico

GENERAL SAFETY RULES

⚠ WARNING! Read and understand all instructions. Failure to follow all instructions listed below, may result in electric shock, fire and/or serious personal injury.

SAVE THESE INSTRUCTIONS

WORK AREA

- **Keep your work area clean and well lit.** Cluttered benches and dark areas invite accidents.
- **Do not operate power tools in explosive atmospheres, such as in the presence of flammable liquids, gases, or dust.** Power tools create sparks which may ignite the dust or fumes.
- **Keep bystanders, children, and visitors away while operating a power tool.** Distractions can cause you to lose control.

ELECTRICAL SAFETY

- **Double insulated tools are equipped with a polarized plug (one blade is wider than the other.) This plug will fit in a polarized outlet only one way. If the plug does not fit fully in the outlet, reverse the plug. If it still does not fit, contact a qualified electrician to install a polarized outlet. Do not change the plug in any way.** Double insulation eliminates the need for the three wire grounded power cord and grounded power supply system.
- **Avoid body contact with grounded surfaces such as pipes, radiators, ranges and refrigerators.** There is an increased risk of electric shock if your body is grounded.
- **Don't expose power tools to rain or wet conditions.** Water entering a power tool will increase the risk of electric shock.
- **Do not abuse the cord. Never use the cord to carry the tools or pull the plug from an outlet. Keep cord away from heat, oil, sharp edges or moving parts. Replace damaged cords immediately.** Damaged cords increase the risk of electric shock.
- **When operating a power tool outside, use an outdoor extension cord marked "W-A" or "W."** These cords are rated for outdoor use and reduce the risk of electric shock.

PERSONAL SAFETY

- **Stay alert, watch what you are doing and use common sense when operating a power tool. Do not use tool while tired or under the influence of drugs, alcohol, or medication.** A moment of inattention while operating power tools may result in serious personal injury.
- **Dress properly. Do not wear loose clothing or jewelry. Contain long hair. Keep your hair, clothing, and gloves away from moving parts.** Loose clothes, jewelry, or long hair can be caught in moving parts. Air vents cover moving parts and should be avoided.
- **Avoid accidental starting. Be sure switch is off before plugging in.** Carrying tools with your finger on the switch or plugging in tools that have the switch on invites accidents.
- **Remove adjusting keys or wrenches before turning the tool on.** A wrench or a key that is left attached to a rotating part of the tool may result in personal injury.
- **Do not overreach. Keep proper footing and balance at all times.** Proper footing and balance enables better control of the tool in unexpected situations.
- **Use safety equipment. Always wear eye protection.** Dust mask, non-skid safety shoes, hard hat, or hearing protection must be used for appropriate conditions.

TOOL USE AND CARE

- **Use clamps or other practical way to secure and support the workpiece to a stable platform.** Holding the work by hand or against your body is unstable and may lead to loss of control.
- **Do not force tool. Use the correct tool for your application.** The correct tool will do the job better and safer at the rate for which it is designed.
- **Do not use tool if switch does not turn it on or off.** Any tool that cannot be controlled with the switch is dangerous and must be repaired.
- **Disconnect the plug from the power source before making any adjustments, changing accessories, or storing the tool.** Such preventative safety measures reduce the risk of starting the tool accidentally.
- **Store idle tools out of reach of children and other untrained persons.** Tools are dangerous in the hands of untrained users.

- **Maintain tools with care. Keep cutting tools sharp and clean.** Properly maintained tools, with sharp cutting edges are less likely to bind and are easier to control.
- **Check for misalignment or binding of moving parts, breakage of parts, and any other condition that may affect the tools operation. If damaged, have the tool serviced before using.** Many accidents are caused by poorly maintained tools.
- **Use only accessories that are recommended by the manufacturer for your model.** Accessories that may be suitable for one tool, may become hazardous when used on another tool.

SERVICE

- **Tool service must be performed only by qualified repair personnel.** Service or maintenance performed by unqualified personnel could result in a risk of injury.
- **When servicing a tool, use only identical replacement parts. Follow instructions in the Maintenance section of this manual.** Use of unauthorized parts or failure to follow Maintenance Instructions may create a risk of electric shock or injury.

⚠ SPECIFIC SAFETY RULES

- **⚠ DANGER! Keep hands away from cutting area and blade. Keep your second hand on auxiliary handle, or motor housing.** If both hands are holding the saw, they cannot be cut by the blade.
- **Keep your body positioned to either side of the saw blade, but not in line with the saw blade.** KICKBACK could cause the saw to jump backwards. (See "Causes and Operator Prevention of Kickback.")
- **Do not reach underneath the work.** The guard can not protect you from the blade below the work.
- **Check lower guard for proper closing before each use. Do not operate saw if lower guard does not move freely and close instantly. Never clamp or tie the lower guard into the open position.** If saw is accidentally dropped, the lower guard may be bent. Raise the lower guard with the Retracting Handle and make sure it moves freely and does not touch the blade or any other part, at all angles and depth of cut.
- **Check the operation and condition of the lower guard spring. If the guard and the spring are not operating properly, they must be serviced before use.** Lower guard may operate sluggishly due to damaged parts, gummy deposits, or a buildup of debris.
- **Lower guard should be retracted manually only for special cuts such as "Pocket Cuts" and "Compound Cuts." Raise lower guard by Retracting Handle. As soon as blade enters the material, lower guard must be released.** For all other sawing, the lower guard should operate automatically.
- **Always observe that the lower guard is covering the blade before placing saw down on bench or floor.** An unprotected, coasting blade will cause the saw to walk backwards, cutting whatever is in its path. Be aware of the time it takes for the blade to stop after switch is released.
- **NEVER hold piece being cut in your hands or across your leg.** It is important to support the work properly to minimize body exposure, blade binding, or loss of control.
- **Hold tool by insulated gripping surfaces when performing an operation where the cutting tool may contact hidden wiring or its own cord.** Contact with a "live" wire will also make exposed metal parts of the tool "live" and shock the operator.
- **When ripping, always use a rip fence or straight edge guide.** This improves the accuracy of cut and reduces the chance for blade binding.
- **Always use blades with correct size and shape (diamond vs. round) arbor holes.** Blades that do not match the mounting hardware of the saw will run eccentrically, causing loss of control.
- **Never use damaged or incorrect blade washers or bolts.** The blade washers and bolt were specially designed for your saw, for optimum performance and safety of operation.

CAUSES AND OPERATOR PREVENTION OF KICKBACK:

- Kickback is a sudden reaction to a pinched, bound or misaligned saw blade, causing an uncontrolled saw to lift up and out of the workpiece toward the operator.
- When the blade is pinched or bound tightly by the kerf closing down, the blade stalls and the motor reaction drives the unit rapidly back toward the operator.
- If the blade becomes twisted or misaligned in the cut, the teeth at the back edge of the blade can dig into the top surface of the wood causing the blade to climb out of the kerf and jump back toward operator.
- Kickback is the result of tool misuse and/or incorrect operating procedures or conditions and can be avoided by taking proper precautions as given below.
 - a. Maintain a firm grip with both hands on the saw and position your body and arm to allow you to resist KICKBACK forces.** Kickback forces can be controlled by the operator, if proper precautions are taken.
 - b. When blade is binding, or when interrupting a cut for any reason, release the trigger and hold the saw motionless in the material into the blade comes to a complete stop. Never attempt to remove the saw from the work or pull the saw backward while the blade is in motion or KICKBACK may occur.** Investigate and take corrective actions to eliminate the cause of blade binding.
 - c. When restarting a saw in the workpiece, center the saw blade in the kerf and check that the saw teeth are not engaged into the material.** If saw blade is binding, it may walk up or KICKBACK from the workpiece as the saw is restarted.
 - d. Support large panels to minimize the risk of blade pinching and KICKBACK.** Large panels tend to sag under their own weight. Support must be placed under the panel on both sides, near the line of cut and near the edge of the panel.
 - e. Do not use dull or damaged blade.** Unsharpened or improperly set blades produce narrow kerf causing excessive friction, blade binding, and KICKBACK.
 - f. Blade depth and bevel adjusting locking levers must be tight and secure before making cut.** If blade adjustment shifts while cutting, it may cause binding and KICKBACK.
 - g. Use extra caution when making a "Pocket Cut" into existing walls or other blind areas.** The protruding blade may cut objects that can cause KICKBACK.

SAVE THESE INSTRUCTIONS

ADDITIONAL SAFETY RULES: CIRCULAR SAWS

- **⚠ WARNING:** Some dust created by power sanding, sawing, grinding, drilling, and other construction activities contains chemicals known to cause cancer, birth defects or other reproductive harm. Some examples of these chemicals are:
 - lead from lead-based paints,
 - crystalline silica from bricks and cement and other masonry products, and
 - arsenic and chromium from chemically-treated lumber (CCA).Your risk from these exposures varies, depending on how often you do this type of work. To reduce your exposure to these chemicals: work in a well ventilated area, and work with approved safety equipment, such as those dust masks that are specially designed to filter out microscopic particles.
- **Avoid prolonged contact with dust from power sanding, sawing, grinding, drilling, and other construction activities. Wear protective clothing and wash exposed areas with soap and water.** Allowing dust to get into your mouth, eyes, or lay on the skin may promote absorption of harmful chemicals.
- **⚠ WARNING: Use of this tool can generate and/or disperse dust, which may cause serious and permanent respiratory or other injury.** Always use NIOSH/OSHA approved respiratory protection appropriate for the dust exposure. Direct particles away from face and body.
- **⚠ CAUTION: Wear appropriate hearing protection during use.** Under some conditions and duration of use, noise from this product may contribute to hearing loss.
- **Snagging the lower guard on a surface below the material being cut can momentarily reduce operator control.** The saw can lift partially out of the cut increasing the chance of blade twist. Ensure there is sufficient clearance under the workpiece.
- **When necessary to raise lower guard manually, use the retracting lever.**
- **KEEP THE BLADES CLEAN AND SHARP.** Sharp blades minimize stalling and kickback. The use of dull and/or dirty blades can increase the saw loading causing the operator to push harder which promotes twisting.
- **⚠ DANGER: KEEP HANDS AWAY FROM CUTTING AREA.** Keep hands away from blades. Never place hands in front of or behind the path of the blade while cutting. Do not reach underneath work while blade is rotating. Do not attempt to remove cut material when blade is moving.
- **SUPPORT LARGE PANELS.** Large panels must be supported as shown (Fig. 1) in this manual to minimize the risk of blade pinching and kickback. When cutting operation requires the resting of the saw on the workpiece, the saw shall be rested on the larger portion and the smaller piece cut off.

- **USE ONLY CORRECT BLADES AND BLADE ASSEMBLY COMPONENTS WHEN MOUNTING BLADES.** Do not use blades with incorrect size holes. Never use defective or incorrect blade washers or bolts. Follow blade assembly procedures.
- **ADJUSTMENTS.** Before cutting be sure depth and bevel adjustments are tight.
- **SUPPORT AND SECURE THE WORK PROPERLY.** Insure that the material to be cut is clamped (Fig. 3) and solidly supported and balanced on a strong, stable and level work surface. Support the work so that the wide portion of the saw shoe is on the portion of the material that doesn't fall after the cut is made. Never hold cut off piece by hand (Fig. 4). KICKBACK from blade pinch can result. Keep both hands on saw at all times.
- **STAY ALERT AND EXERCISE CONTROL.** Keep body positioned to one side of blade. Always maintain a firm grip and control of saw with both hands. Do not change hand grip or body position while saw is running. Take precaution to avoid injury from cut off pieces and other falling material during operation.

⚠ DANGER: RELEASE SWITCH IMMEDIATELY IF BLADE BINDS OR SAW STALLS.

GUARD AGAINST KICKBACK

- **KICKBACK CAN BE CAUSED BY** the saw blade becoming pinched, twisted or bound while cutting, or when the saw stalls. When the blade becomes twisted or misaligned in the cut, the teeth at the back edge of the blade can dig into the top surface of the wood causing the blade to climb out of the cut and move suddenly back toward the operator.

TO REDUCE THE RISK OF KICKBACK

- Keep a firm grip on saw with both hands at all times.
- Stay alert – exercise control.
- Support long overhanging materials. As the material is cut and weakens, it will sag, causing a pinched blade.
- Support large panels as shown (Fig. 1). Material supported only at the ends (Fig. 2) will lead to blade pinching.
- Avoid sawing overhead. Material can sag and will pinch blade.
- Keep blades sharp and clean.
- Use fence or straight edge guide when ripping. Be careful as the cut off strip can sag or twist, closing the cut and pinching the blade, leading to KICKBACK.
- Don't force tool. Wood variables such as knots, hardness, toughness, wetness, pressure treated and freshly cut green lumber can heavily load the saw which can lead to stalling. Push the saw slower when this occurs.
- Don't remove saw from work during a cut while the blade is moving.
- Allow saw to reach full speed before blade contacts material to be cut. Starting the saw with the blade against the work or pushed forward into cut can lead to stalling or sudden backward movement of saw.
- Never attempt to lift saw when making a bevel cut. This leads to blade binding and stalling.
- Always secure work to prevent workpiece movement during cut.
- Do not try to force saw back on line if your cut begins to go off line. This can cause KICKBACK. Stop saw and allow blade to coast down to a stop. Withdraw from cut and start a new cut on the line.
- Set depth adjustment of saw such that one tooth of the blade projects below the workpiece as shown in (Fig. 6).
- Do not back up a rotating blade in the cut. Twisting the saw can cause the back edge of the blade to dig into the material, climb out of the work and run back toward the operator.
- Avoid cutting nails. Inspect for and remove all nails from lumber before cutting.

The label on your tool may include the following symbols.

- V.....volts
- A.....amperes
- Hz.....hertz
- Wwatts
- minminutes
- ~alternating current
- ====direct current
- n₀.....no load speed
- ☐Class II Construction
- .../min.....revolutions or reciprocation per minute
- ⊕earthing terminal
- ⚠safety alert symbol

EXTENSION CORDS

When using an extension cord, be sure to use one heavy enough to carry the current your product will draw. An undersized cord will cause a drop in line voltage resulting in loss of power and overheating. The following table shows the correct size to use depending on cord length and nameplate ampere rating. If in doubt, use the next heavier gage. The smaller the gage number, the heavier the cord

Minimum Gage for Extension Cords

Volts	Total Length of Cord in Feet			
	0-25	26-50	51-100	101-150
120V	18	16	16	14
240V	18	16	14	12

Ampere Rating	AWG	
	More Than	Not more Than
0	6	18
6	10	16
10	12	16
12	16	12

MOTOR

Be sure your power supply agrees with nameplate marking. 120 Volts AC means your tool will operate on standard 60 Hz household power. Do not operate AC tools on DC. A rating of 120 volts AC/DC means that your tool will operate on standard 60 Hz AC or DC power. This information is printed on the nameplate. Lower voltage will cause loss of power and can result in over-heating. All **Black & Decker** tools are factory-tested; if this tool does not operate, check the power supply. This tool is AC only.

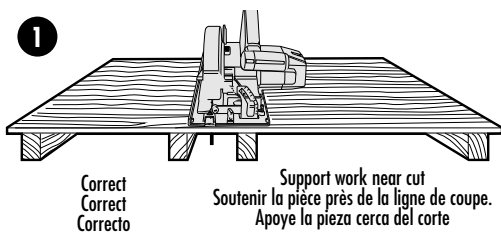
ASSEMBLY/ADJUSTMENT SET-UP

CUTTING DEPTH ADJUSTMENT

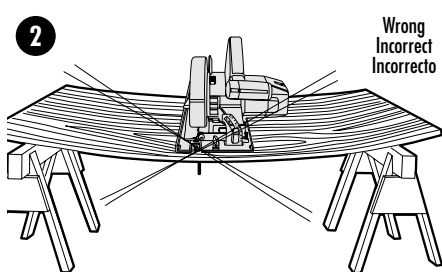
Adjust depth of cut using depth adjustment lever. See (Figs. 5 & 6) for proper setting. Tighten lever securely.

BEVEL ANGLE ADJUSTMENT

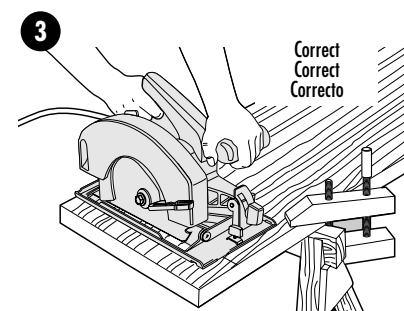
Adjust bevel angle (Fig. 7) using bevel adjustment knob and bevel scale. Tighten knob securely.



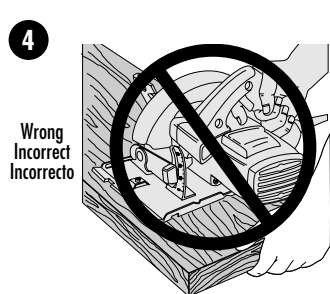
Support work near cut
Soutenir la pièce près de la ligne de coupe.
Apoye la pieza cerca del corte



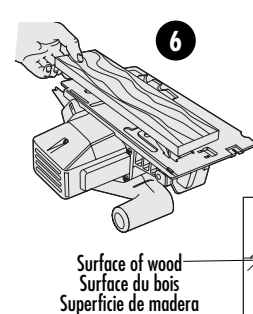
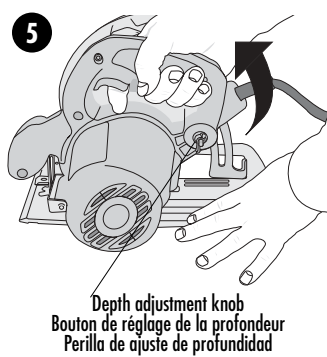
Material bends on blade causing heavy loads or kickback
Le matériau plie au contact de la lame causant de lourdes surcharges ou des rebonds.
El material oprime el disco ocasionando sobrecarga o contragolpe



Correct
Correct
Correcto



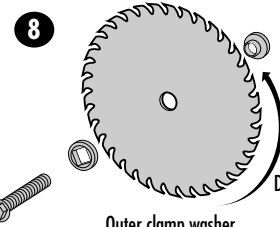
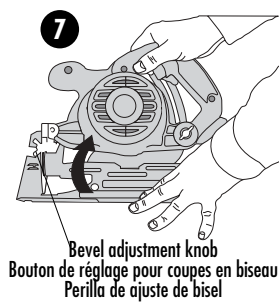
Wrong
Incorrect
Incorrecto



Proper depth: one tooth below surface of wood
Profondeur appropriée : une dent sous la surface du bois.
Profundidad correcta: un diente debajo de la superficie de madera

Tip of tooth
Bout de la dent
Punta del diente

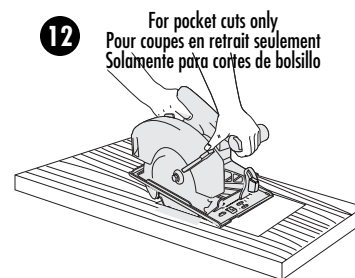
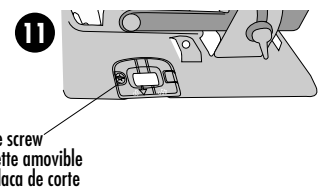
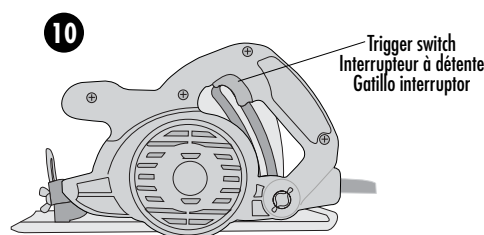
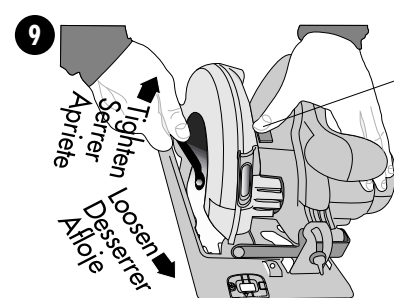
Surface of wood
Surface du bois
Superficie de madera



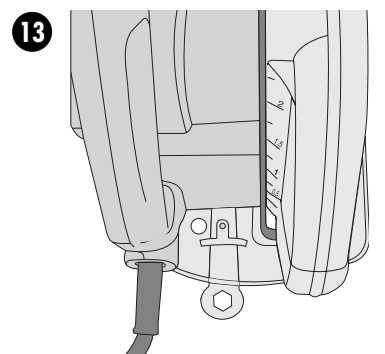
Direction of teeth
Sens des dents
Dirección de los dientes

Inner clamp washer
Rondelle de fixation interne
Roldana de sujeción interior

Saw spindle
Arbre de la scie
Flecha de la sierra



Warning: When blade starts cutting, release retraction lever immediately
Avertissement : Lorsque la lame commence à découper, relâcher immédiatement le ressort de rappel.
Advertencia: Cuando el disco inicie el corte, suelte inmediatamente la palanca del mecanismo retráctil



⚠ WARNING: Always unplug saw from power supply before any of the following operations.

ATTACHING AND REMOVING THE BLADE

NOTE: The first time the blade bolt is removed from saw without a blade installed, it may be necessary to place the blade wrench on the bolt head and tap it sharply in the counter clockwise direction.

Retract lower guard and assemble blade and clamp washer as shown (Fig. 8). Insure large surface of washer is toward blade. Depress spindle lock as shown in Figure 9 and tighten blade securely.

NOTE: Never engage the blade lock while saw is running, or engage in an effort to stop the tool. Never turn the saw on while the blade lock is engaged. Serious damage to your saw will result.

OPERATING INSTRUCTIONS

⚠ WARNING: To reduce the risk of serious personal injury, read, understand and follow all important safety warnings and instructions prior to using tool.

GENERAL CUTS (IMPORTANT: READ SAFETY WARNINGS AND INSTRUCTIONS.)

GUARD AGAINST KICKBACK

With unit unplugged, follow all assembly, adjustment and set up instructions.

Make sure lower guard operates. Select the proper blade for the material to be cut.

- Measure and mark work for cutting.
- Support and secure work properly (See Safety Rules and Instructions).
- Use appropriate and required safety equipment (See Safety Rules).
- Secure and maintain work area (See Safety Rules).
- With plug inserted and guard closed, make sure switch turns saw on and off.

⚠ WARNING: It is important to support the work properly and to hold the saw firmly to prevent loss of control which could cause personal injury. Fig. 3 illustrates recommended hand position.

SWITCH

To operate the tool, depress the trigger switch shown in Fig. 10. The tool will continue to run as long as the trigger is depressed.

To turn the tool off, release the trigger switch. There is no provision for locking the tool on, and the switch should never be locked on by any other means.

KERF PLATE ADJUSTMENT

Adjust kerf plate (Fig. 11) to read zero when the bevel scale reads zero by loosening the kerf plate screw and sliding the plate as necessary. Align mark on kerf plate with drawn pencil line on the material being cut and advance blade into cut. The kerf plate has lines for zero bevel and 45 degree bevel cutting.

POCKET CUTTING (SEE FIG. 12)

POCKET CUTTING IS USED TO CUT A HOLE IN A PIECE OF MATERIAL WITHOUT CUTTING FROM THE SIDE.

- Measure and mark work.
- Tilt saw forward and rest front of the shoe on material to be cut. Align so that cut will begin at the back of the drawn rectangle.
- Using the retracting lever, retract blade guard to an upward position, with the blade just clearing the material, start motor and gradually lower the saw into the material.

⚠️ WARNING: As blade starts cutting the material, release the retracting lever immediately.

- Never tie the blade guard in a raised position.
- When the shoe rests flat on the material being cut, complete the cut in forward direction.
- Allow the blade to come to a complete stop before lifting saw from material.
- When starting each new cut, repeat the above steps.

WRENCH STORAGE

The blade wrench can be stored on the saw shoe as shown in Figure 13.

RIPPING

Your saw is not equipped with a rip fence. If installing a rip fence, insure the fence fits snug in slots.

If you do not have a proper fitting fence, use a straight edge guide in contact with the edge of the shoe to improve accuracy of cut and reduce the possibility of binding and kickback.

MAINTENANCE

Use only mild soap and damp cloth to clean the tool. Never let any liquid get inside the tool; never immerse any part of the tool into a liquid.

IMPORTANT: To assure product SAFETY and RELIABILITY, repairs, maintenance and adjustment (other than those listed in this manual) should be performed by authorized service centers or other qualified service organizations, always using identical replacement parts.

LUBRICATION

Black & Decker tools are properly lubricated at the factory and are ready for use.

ACCESSORIES

Recommended accessories for use with your tool are available from your local retailer.

⚠️ WARNING: The use of any accessory not recommended for use with this tool could be hazardous. Use only 7-1/4" (184mm) blades with 5/8" diameter arbor. Exception: 7" (175 mm) abrasive blades can be used.

When cutting metal, be careful of hot sparks which are thrown by the blade.

SERVICE INFORMATION

Black & Decker offers a full network of company-owned and authorized service locations throughout North America. All Black & Decker Service Centers are staffed with trained personnel to provide customers with efficient and reliable power tool service.

Whether you need technical advice, repair, or genuine factory replacement parts, contact the Black & Decker location nearest you. To find your local service location, refer to the yellow page directory under "Tools—Electric" or call: **1-800-544-6986**.

FULL TWO-YEAR HOME USE WARRANTY

Black & Decker (U.S.) Inc. warrants this product for two years against any defects in material or workmanship. The defective product will be replaced or repaired at no charge in either of two ways.

The first, which will result in exchanges only, is to return the product to the retailer from whom it was purchased (provided that the store is a participating retailer). Returns should be made within the time period of the retailer's policy for exchanges (usually 30 to 90 days after the sale). Proof of purchase may be required. Please check with the retailer for their specific return policy regarding returns that are beyond the time set for exchanges.

The second option is to take or send the product (prepaid) to a Black & Decker owned or authorized Service Center for repair or replacement at our option. Proof of purchase may be required. Black & Decker owned and authorized Service Centers are listed under "Tools-Electric" in the yellow pages of the phone directory.

This warranty does not apply to accessories. This warranty gives you specific legal rights and you may have other rights which vary from state to state and province to province. Should you have any questions, contact the manager of your nearest Black & Decker Service Center. This product is not intended for commercial use.

FREE WARNING LABEL REPLACEMENT: If your warning labels become illegible or are missing, call 1-800-544-6986 for a free replacement.

Black & Decker (U.S.) Inc.,
701 E. Joppa Rd.
Towson, MD 21286 U.S.A.



See 'Tools-Electric'
– Yellow Pages –
for Service & Sales



GUIDE D'UTILISATION

RENSEIGNEMENTS IMPORTANTS

- Une lame affûtée améliore grandement le rendement.
- Une lame émoussée donne une coupe lente et inefficace.
- Toujours soutenir la pièce à couper. (Voir les figures appropriées dans le présent guide.)

⚠️ MESURES DE SÉCURITÉ

⚠️ AVERTISSEMENT : Lire et comprendre toutes les directives. Le non-respect de toutes les directives suivantes présente des risques de secousses électriques, d'incendie ou de blessures graves.

CONSERVER CES MESURES.

ZONE DE TRAVAIL

- **S'assurer que la zone de travail est propre et bien éclairée.** Des établis encombrés et des endroits sombres présentent des risques d'accidents.
- **Ne pas utiliser des outils électriques en présence de vapeurs explosives (comme celles dégagées par des liquides, des gaz ou des poussières inflammables).** Les étincelles générées par le moteur des outils électriques peuvent enflammer les poussières ou les vapeurs.
- **Éloigner les curieux, les enfants et les visiteurs de la zone de travail lorsqu'on utilise un outil électrique.** Une distraction peut entraîner la perte de maîtrise de l'outil.

MESURES DE SÉCURITÉ RELATIVES À L'ÉLECTRICITÉ

- **Les outils à double isolation comportent une fiche polarisée (une lame plus large que l'autre). La fiche n'entre que d'une façon dans une prise polarisée. Lorsque la fiche n'entre pas à fond dans la prise, essayer de nouveau après avoir inversé les broches de la fiche. Si la fiche n'entre toujours pas dans la prise, communiquer avec un électricien certifié afin de faire installer une prise polarisée. Ne modifier en aucune façon la fiche.** La double isolation élimine le besoin d'un cordon trifilaire mis à la terre et d'un système d'alimentation mis à la terre.
- **Éviter de toucher à des surfaces mises à la terre comme des tuyaux, des radiateurs, des cuisinières et des réfrigérateurs.** Les risques de secousses électriques sont plus élevés si le corps de l'utilisateur est mis à la terre.
- **Protéger les outils électriques de la pluie ou des conditions mouillées.** Une infiltration d'eau dans l'outil augmente les risques de secousses électriques.
- **Manipuler le cordon avec soin. Ne jamais se servir du cordon afin de transporter l'outil ni tirer sur le cordon pour débrancher l'outil. Éloigner le cordon des sources de chaleur, des flaques d'huile, des arêtes tranchantes et des pièces mobiles. Remplacer immédiatement les cordons endommagés.** Les cordons endommagés augmentent les risques de secousses électriques.
- **Lorsqu'on utilise un outil électrique à l'extérieur, se servir d'un cordon de rallonge prévu pour l'extérieur, portant la mention "W-A" ou "W".** Ces cordons sont conçus pour servir à l'extérieur et minimisent les risques de secousses électriques.

SÉCURITÉ PERSONNELLE

- **Demeurer vigilant, prendre soin et faire preuve de jugement lorsqu'on utilise un outil électrique. Ne pas s'en servir lorsqu'on est fatigué ou affaibli par des drogues, de l'alcool ou des médicaments.** De graves blessures peuvent résulter d'un moment d'inattention lors de l'utilisation d'un outil électrique.
- **Porter des vêtements appropriés. Éviter de porter des vêtements amples ou des bijoux. Recouvrir la chevelure si elle est longue. Éloigner les cheveux, les vêtements et les gants des pièces en mouvement qui peuvent les happer.**
- **Éviter les démarrages accidentels. S'assurer que l'interrupteur est en position hors tension avant de brancher l'outil.** Afin d'éviter les risques de blessures, ne pas transporter l'outil avec le doigt sur l'interrupteur ni brancher un outil dont l'interrupteur est en position sous tension.
- **Enlever les clés de réglage avant de mettre l'outil sous tension.** Une clé qui est laissée sur une pièce rotative de l'outil présente des risques de blessures.
- **Ne pas dépasser sa portée. Garder son équilibre en tout temps.** On s'assure d'une meilleure maîtrise de l'outil dans des situations imprévues grâce à une position stable et un bon équilibre.
- **Porter de l'équipement de sécurité. Toujours porter des lunettes de sécurité.** Dans

certaines conditions, il faut porter des masques respiratoires, des chaussures antidérapantes, un casque de sécurité ou des protège-tympons.

UTILISATION ET ENTRETIEN DE L'OUTIL

- **Utiliser des pinces de serrage ou de tout autre moyen pratique afin de fixer et de soutenir la pièce à ouvrir sur une plate-forme stable.** La pièce est instable lorsqu'elle est retenue par la main ou le corps de l'utilisateur. Cela présente des risques de perte de maîtrise de l'outil.
- **Ne pas forcer l'outil. Utiliser l'outil approprié à la tâche.** L'outil approprié fonctionne mieux et sûrement lorsqu'on s'en sert à son rendement nominal.
- **Ne pas se servir de l'outil lorsque l'interrupteur est défectueux.** Le cas échéant, l'outil est dangereux et il faut le réparer.
- **Débrancher l'outil de la source d'alimentation avant de le régler, d'en remplacer les accessoires ou de le ranger.** On minimise de la sorte le risque de démarrage accidentel de l'outil.
- **Ranger l'outil hors de portée des enfants et de toute autre personne qui n'en connaît pas le fonctionnement.** L'outil est dangereux entre les mains de ces personnes.
- **Prendre soin des outils. S'assurer que les outils de coupe sont tranchants et propres.** Des outils bien entretenus à arêtes tranchantes ont moins tendance à se coincer et ils se maîtrisent mieux.
- **Vérifier l'alignement et les attaches des pièces mobiles, le degré d'usure des pièces ainsi que tout autre facteur susceptible de nuire au bon fonctionnement de l'outil. Faire réparer un outil endommagé avant de s'en servir.** Des outils mal entretenus sont la cause de nombreux accidents.
- **Utiliser seulement les accessoires recommandés par le fabricant.** Des accessoires qui conviennent à un outil peuvent présenter des risques avec un autre outil.

ENTRETIEN

- **Confier l'entretien de l'outil seulement à du personnel qualifié.** Le non-respect de la présente directive présente des risques de blessures.
- **Lors de l'entretien de l'outil, utiliser seulement des pièces de rechange identiques. Respecter les consignes relatives à l'entretien du présent guide d'utilisation.** Il y a risque de secousses électriques ou de blessures lorsqu'on utilise des pièces non autorisées ou lorsqu'on ne respecte pas les consignes relatives à l'entretien.

⚠️ CONSIGNES DE SÉCURITÉ PARTICULIÈRES

- **⚠️ DANGER! Garder les mains éloignées des zones de coupe et de la lame. Toujours tenir l'outil en plaçant une main sur la poignée auxiliaire ou le carter du moteur; on protège ses mains en les utilisant toutes les deux pour tenir l'outil.**
- **Toujours se placer d'un côté ou de l'autre de la lame en évitant de se tenir dans son trajet, car la scie pourrait reculer brusquement par suite d'un REBOND.** (Voir la section «Causes du rebond et mesures préventives» du présent manuel).
- **Ne pas mettre les mains sous l'ouvrage** car il n'y a aucune protection contre la lame à cet endroit.
- **Vérifier le protège-lame inférieur afin de s'assurer qu'il soit bien fermé avant d'utiliser l'outil; ne pas faire fonctionner ce dernier si le protège-lame ne se déplace pas librement ou s'il ne se ferme pas instantanément. Ne jamais le bloquer en position ouverte.** Si on échappe la scie, soulever le protège-lame inférieur au moyen du levier d'escamotage et le vérifier afin de s'assurer qu'il n'y ait aucun dommage, qu'il se déplace librement et qu'il n'entre pas en contact avec la lame ou toute autre pièce de l'outil, quel que soit l'angle et la profondeur de coupe.
- **S'assurer que le ressort du protège-lame inférieur soit en bon état de fonctionnement; sinon, on doit lui faire subir un entretien avant d'utiliser l'outil.** Le protège-lame peut être difficile à déplacer en présence de pièces endommagées, de dépôts gommeux ou de débris accumulés.
- **On ne doit escamoter manuellement le protège-lame inférieur que pour réaliser une coupe spéciale, complexe ou à partir de l'intérieur d'un matériau. Pour ce faire, on doit le soulever au moyen du levier d'escamotage, relâchant ce dernier dès que la lame mord dans l'ouvrage.** Le protège-lame s'escamote automatiquement pour tous les autres types de coupe.
- **Toujours s'assurer que le protège-lame inférieur recouvre la lame avant de déposer la scie sur le plancher ou sur un établi,** car, sans protection, une lame qui tourne encore fait reculer la scie, coupant tout ce qui se trouve sur son passage. Il est en outre bon de savoir combien de temps la lame prend pour s'arrêter une fois l'interrupteur relâché.
- **Ne JAMAIS tenir l'ouvrage dans ses mains ou le placer de travers sur ses jambes pour le couper.** Il est important de soutenir l'ouvrage correctement afin d'éviter d'exposer des parties du corps à la lame, de coincer cette dernière ou encore, de perdre la maîtrise de l'outil.
- **Tenir l'outil par les surfaces isolées prévues à cette fin lorsqu'il risque d'entrer en contact avec des fils cachés ou son propre cordon,** car de tels contacts peuvent mettre les pièces métalliques de l'outil sous tension, engendrant des risques de choc électrique.
- **Toujours utiliser un guide de refend ou de bord droit lorsqu'on effectue une coupe en long** afin d'assurer la précision de cette dernière et d'éviter de coincer la lame.
- **Toujours utiliser une lame munie d'un arbre dont les orifices sont de dimension et de forme appropriées (ronds ou en losanges);** les lames qui ne correspondent pas aux éléments de fixation de la scie tourneront de manière excentrique, faisant perdre la maîtrise de l'outil.
- **Ne jamais utiliser de rondelles ou de boulons endommagés ou autres** que ceux qui ont été conçus pour la scie, afin d'obtenir un rendement optimal et de travailler en toute sécurité.

⚠️ AVERTISSEMENT : ne pas utiliser cet outil pour effectuer l'élagage d'arbres ou de feuillage.

CAUSES DU REBOND ET MESURES PRÉVENTIVES

- Le rebond est une réaction soudaine de l'outil causée par une lame pincée, bloquée ou mal alignée, occasionnant la perte de maîtrise de la scie, qui se soulève et se détache de l'ouvrage en direction de l'opérateur.
- Lorsque la lame reste coincée ou est immobilisée par une entaille qui se referme, l'arrêt de la lame et la réaction du moteur entraîne un recul brusque de l'outil vers l'opérateur.
- Si la lame se tord ou est mal alignée, les dents arrière peuvent s'engager sur le dessus de l'ouvrage, faisant grimper la lame hors de l'entaille et rebondir l'outil en direction de l'opérateur.
- Le rebond découle d'une mauvaise utilisation ou du mauvais fonctionnement de l'outil; on peut l'éviter en prenant les précautions suivantes.
 - a. **Tenir fermement l'outil des deux mains et placer le corps et les bras de manière à pouvoir maîtriser les effets du REBOND;** le rebond peut être maîtrisé si l'opérateur prend les précautions nécessaires.
 - b. **Lorsque la lame se coince ou qu'on veut interrompre une coupe pour quelque raison que ce soit, relâcher l'interrupteur à gâchette et maintenir la scie immobile dans l'ouvrage, jusqu'à ce que la lame s'arrête complètement. Ne jamais tenter de retirer la scie de l'ouvrage ou de la tirer vers soi avant que la lame ne se soit immobilisée complètement afin d'éviter le REBOND.** Vérifier l'ouvrage afin de déterminer la cause du coincement et de prendre les mesures correctives qui s'imposent.
 - c. **Lorsqu'on remet la scie en marche, centrer la lame dans l'entaille et s'assurer que les dents ne soient pas engagées dans l'ouvrage.** Si la lame se coince, la scie peut grimper hors de l'entaille ou faire un REBOND lorsqu'on la redémarre.
 - d. **Soutenir les grands panneaux afin d'éviter autant que possible de coincer la lame et d'engendrer un REBOND.** Les grands panneaux tendent à s'affaisser sous leur poids et doivent être soutenus de chaque côté, près de la ligne de coupe et du bord du panneau.
 - e. **Ne pas utiliser de lames usées ou endommagées,** car celles-ci produisent des entailles plus étroites, ce qui peut causer une friction excessive, coincer la lame et engendrer un rebond.
 - f. **Bien verrouiller les leviers de réglage de profondeur et d'angle de biseau avant d'amorcer une coupe;** si ces leviers se déplacent durant la coupe, la lame peut se coincer et entraîner un REBOND.
 - g. **On doit faire particulièrement attention lorsqu'on effectue une coupe «interne» dans un mur ou endroit difficile à voir,** car la lame peut couper des objets cachés qui risquent d'occasionner un REBOND.

CONSERVER CES DIRECTIVES

CONSIGNES DE SÉCURITÉ ADDITIONNELLES CONCERNANT LES SCIES CIRCULAIRES

⚠️ AVERTISSEMENT : Certains outils électriques, tels que les sableuses, les scies, les meules, les perceuses ou certains autres outils de construction, peuvent produire de la poussière contenant des produits chimiques susceptibles d'entraîner le cancer, des malformations congénitales ou pouvant être nocifs pour le système reproductif. Parmi ces produits chimiques, on retrouve :

- le plomb dans les peintures à base de plomb,
- la silice cristalline dans les briques et le ciment et autres produits de maçonnerie,
- l'arsenic et le chrome dans le bois de sciage ayant subi un traitement chimique (comme l'arséniat de cuivre et de chrome).

Le risque associé à de telles expositions varie selon la fréquence avec laquelle on effectue ces travaux. Pour réduire l'exposition à de tels produits, il faut travailler dans un endroit bien aéré et utiliser le matériel de sécurité approprié, tel un masque anti-poussières spécialement conçu pour filtrer les particules microscopiques.

- Éviter tout contact prolongé avec la poussière soulevée par cet outil ou autres outils électriques. Porter des vêtements de protection et nettoyer les parties exposées du corps avec de l'eau savonneuse. S'assurer de bien se protéger afin d'éviter d'absorber par la bouche, les yeux ou la peau des produits chimiques nocifs.

⚠ **AVERTISSEMENT** : Cet outil peut produire et répandre de la poussière susceptible de causer des dommages sérieux et permanents au système respiratoire. Toujours utiliser un appareil respiratoire anti-poussières approuvé par le NIOSH ou l'OSHA. Diriger les particules dans le sens opposé du visage et du corps.

⚠ **AVERTISSEMENT** : Porter un dispositif de protection personnel anti-bruit approprié durant l'utilisation. Sous certaines conditions et pendant toute la durée de l'utilisation, le bruit émanant de ce produit pourrait contribuer à la perte d'audition.

- Si le protège-lame inférieur s'accroche sur une surface sous l'ouvrage, on risque de perdre momentanément la maîtrise de l'outil; la scie peut alors se soulever partiellement et sortir de l'ouvrage, augmentant les risques de torsion de la lame. S'assurer qu'il y ait suffisamment de jeu sous l'ouvrage.

- Au besoin, on peut soulever manuellement le protège-lame au moyen du levier d'escamotage.

- **MAINTENIR LES LAMES PROPRES ET BIEN AIGUISÉES.** Maintenir les lames aiguisées en tout temps afin de réduire au minimum les risques de calage et de rebond. Les lames usées ou sales peuvent augmenter l'encrassement de l'outil, forçant l'opérateur à exercer une plus grande pression sur la scie et augmentant ainsi les risques de torsion de la lame.

⚠ **DANGER : GARDER LES MAINS ÉLOIGNÉES DES ZONES DE COUPE.** Garder les mains éloignées des lames. Ne jamais mettre les mains devant ou derrière le trajet de la lame durant la coupe. Ne pas mettre les mains sous l'ouvrage ou tenter de retirer les sections coupées lorsque la lame tourne encore.

- **SUPPORT DE GRANDS PANNEAUX.** On doit soutenir les grands panneaux, tel qu'illustré à la figure 1 du présent manuel, afin d'éviter autant que possible de coincer la lame et de causer des rebonds. Si la scie doit être déposée sur l'ouvrage pour effectuer une coupe particulière, on doit l'appuyer sur la plus grande section de l'ouvrage et couper la section la plus courte.

- **N'UTILISER QUE LES LAMES ET LES COMPOSANTS APPROPRIÉS.** Ne pas utiliser de lames dont le trou central est de diamètre inapproprié. Ne jamais fixer la lame au moyen de rondelles ou de boulons endommagés ou de dimension incorrecte. Toujours suivre les directives d'assemblage prescrites.

- **RÉGLAGES.** Avant de procéder à la coupe, s'assurer que les leviers de réglage de la profondeur et de l'angle de biseau soient bien serrés.

- **BIEN FIXER ET SOUTENIR L'OUVRAGE.** S'assurer que le matériau à couper soit fixé (fig. 3) et soutenu solidement, en bon équilibre, sur des appuis stables, solides et de niveau. Soutenir l'ouvrage de manière à ce que la section la plus large du patin soit placée sur la section solidement soutenue de l'ouvrage, non sur celle qui se détachera. Ne jamais tenir les sections coupées avec les mains (fig. 4); la lame pourrait se coincer et causer des REBONDS. Tenir fermement l'outil des deux mains en tout temps.

- **FAIRE PREUVE DE VIGILANCE AFIN DE MAINTENIR LA MAÎTRISE DE L'OUTIL.** Toujours se placer d'un côté ou de l'autre de la lame. Toujours tenir fermement l'outil des deux mains afin de bien le maîtriser. Ne pas déplacer les mains ou changer de position durant la coupe. Prendre les précautions nécessaires pour ne pas subir de blessures lorsque les sections coupées ou tout autre matériau se détachent durant la coupe.

⚠ **DANGER : RELÂCHER IMMÉDIATEMENT L'INTERRUPTEUR SI LA LAME RESTE COINCÉE OU LE MOTEUR CALE.**

MESURES PRÉVENTIVES CONTRE LES REBONDS

- **LE REBOND EST CAUSÉ PAR** le coincement, la torsion ou l'immobilisation de la lame durant la coupe, ou par le calage du moteur de l'outil. Lorsque la lame se tord ou devient mal alignée dans l'entaille, les dents arrière peuvent s'engager sur le dessus de l'ouvrage, faisant grimper la lame hors de l'entaille et rebondir l'outil en direction de l'opérateur.

POUR RÉDUIRE LES RISQUES DE REBOND, ON DOIT :

- Tenir l'outil fermement des deux mains en tout temps.
- Rester vigilant afin de garder la maîtrise de l'outil.
- Bien soutenir les longs ouvrages en porte-à-faux, car ces derniers tendent à s'affaisser sous leur poids à mesure que la coupe l'affaiblit, ce qui entraîne le coincement de la lame.
- Soutenir les grands panneaux, tel qu'illustré à la fig. 1; de tels ouvrages soutenus seulement aux extrémités (fig. 2) risquent de causer le pincement de la lame.
- Éviter de couper des matériaux situés au-dessus de soi; ces derniers pourraient s'affaisser et coincer la lame.
- Maintenir les lames propres et bien aiguisées.
- Toujours utiliser un guide de refend ou de bord droit pour effectuer des coupes en long; s'assurer d'éviter que la section coupée ne s'affaisse ou se torde, ce qui pourrait entraîner la fermeture de l'entaille et le pincement de la lame, et causer un REBOND.
- Ne pas forcer l'outil. Dans le cas de pièces de bois, tels que la présence de nœuds, la dureté, la résilience, l'humidité et le type de bois (bois de sciage traité sous pression, bois vert fraîchement coupé, etc.) sont autant de facteurs qui risquent de causer l'encrassement de l'outil, entraînant ainsi le calage du moteur. Si tel est le cas, exercer une pression moindre sur l'outil.
- Ne pas soulever l'outil hors de l'entaille lorsque la lame tourne encore.
- On doit attendre que la scie ait atteint sa vitesse maximale avant de la faire entrer en contact avec le matériau à couper. Ne jamais la faire démarrer lorsque la lame est déjà dans l'entaille ou placée contre le matériau; cela risque de faire caler le moteur et de causer un rebond.
- Ne jamais tenter de soulever la scie lorsqu'on effectue une coupe en biseau afin d'éviter de coincer la scie ou de caler le moteur.
- Toujours immobiliser l'ouvrage afin de l'empêcher de bouger durant la coupe.
- Ne pas forcer la scie vers la ligne de coupe si elle s'en éloigne afin d'éviter les risques de REBOND. On doit plutôt arrêter l'outil, attendre qu'il s'arrête graduellement, puis le soulever hors de l'entaille et amorcer une nouvelle coupe sur la ligne voulue.
- Placer le levier de réglage de profondeur de manière à ce qu'une dent dépasse sous l'ouvrage, tel qu'illustré à la figure 6.
- Ne pas faire reculer la scie lorsque la lame tourne encore dans l'entaille; si la scie se tord, la partie arrière de la lame pourrait s'enfoncer dans l'ouvrage, soulevant ainsi l'outil hors du matériau et vers l'opérateur.
- Éviter de couper des clous; s'assurer que le bois de sciage soit exempt de toute ferrure avant de procéder à la coupe.

L'étiquette de l'outil peut comporter les symboles suivants.

V	volts	A.....	ampères
Hz	hertz	W	watts
min	minutes	~	courant alternatif
====	courant continu	n _o	sous vide
☐	construction de classe II	⊕	borne de terre
⚠	symbole d'avertissement	.../min	tours ou courses à la minute

RALLONGES

S'assurer que la rallonge est en bon état avant de l'utiliser. Toujours utiliser une rallonge qui convient à l'outil, c'est-à-dire dont le calibre des fils, la longueur du cordon et les valeurs nominales correspondent à l'outil alimenté. L'usage d'une rallonge de calibre insuffisant pourrait causer une chute de tension entraînant une perte de puissance et une surchauffe. Pour s'assurer qu'on utilise le calibre approprié, consulter le tableau indiqué ci-dessous.

Calibre minimal des cordons de rallonge				
Tension	Longueur totale du cordon en pieds			
120 V	De 0 à 25	De 26 à 50	De 51 à 100	De 101 à 150
240 V	De 0 à 50	De 51 à 100	De 101 à 200	De 201 à 300
Intensité (A)				
Au moins		Au plus		
		Calibre moyen de fil (AWG)		
0	-	6	18	16
6	-	10	18	16
10	-	12	16	16
12	-	16	14	14
				12
				Non recommandé

MOTEUR

On doit s'assurer que l'intensité nominale du cordon d'alimentation corresponde à celle indiquée sur la plaque signalétique; sur cette dernière, la mention «120 V c.a.» signifie que l'outil ne doit être branché que dans une prise résidentielle standard de courant alternatif de 60 Hz et non pas dans une prise de courant continu, alors que «120 V c.a. / c.c.» signifie que l'outil peut fonctionner sur une prise standard de 60 Hz de courant alternatif ou continu. Une tension inférieure à celle indiquée pourrait entraîner une perte de puissance et une surchauffe. Tous les outils **Black & Decker** sont soumis à des essais en usine; si cet outil ne fonctionne pas, on doit d'abord vérifier l'intensité nominale du cordon d'alimentation. Cet outil ne doit être branché que dans une prise de courant alternatif.

ASSEMBLAGE ET RÉGLAGE

RÉGLAGE DE LA PROFONDEUR DE COUPE

Régler la profondeur de coupe au moyen du levier de réglage de profondeur, conformément aux figures 5 et 6; serrer fermement ce dernier.

RÉGLAGE DE L'ANGLE DE BISEAU

Régler l'angle de biseau (fig. 7) au moyen du bouton de réglage de l'angle de biseau et de l'échelle de coupe en biseau, puis serrer fermement le bouton.

⚠ **AVERTISSEMENT** : toujours débrancher la scie de la source d'alimentation avant d'effectuer les opérations suivantes.

INSTALLATION ET RETRAIT DE LA LAME

REMARQUE : la première fois qu'on retire le boulon de la lame de la scie avant qu'une lame n'ait été installée, il peut s'avérer nécessaire d'utiliser la clé de réglage de lame, et de tourner vers la gauche en donnant des petits coups secs.

Escamoter le protège-lame inférieur, puis assembler la lame et les rondelles de retenue, tel qu'illustré à la figure 8. S'assurer que la grande surface de la rondelle soit dirigée vers la lame. Utiliser une pièce de bois ou bloquer le dispositif de verrouillage de la broche. Serrer fermement la lame, tel qu'illustré à la figure 9.

REMARQUE : Ne jamais actionner le bouton de verrouillage de la lame lorsque la scie est en marche, ni pour tenter d'arrêter l'outil. Ne jamais mettre l'outil en marche lorsque le bouton de verrouillage de la lame est actionné afin d'éviter d'endommager gravement la scie.

MODE D'EMPLOI

⚠ **AVERTISSEMENT** : afin de réduire les risques de blessures graves, on doit lire, comprendre et suivre toutes les consignes de sécurité et les directives contenues dans le présent manuel avant d'utiliser l'outil.

COUPES ORDINAIRES (IMPORTANT : LIRE TOUTES LES CONSIGNES DE SÉCURITÉ ET TOUTS LES AVERTISSEMENTS CONTENUS DANS LE PRÉSENT MANUEL.)

PRENDRE LES MESURES PRÉVENTIVES QUI S'IMPOSENT POUR EMPÊCHER L'EFFET DE REBOND.

Débrancher l'outil, puis suivre les directives d'assemblage et de réglage prescrites. S'assurer que le protège-lame inférieur fonctionne bien, puis sélectionner la lame qui convient au matériau à couper. Ensuite, on doit :

- mesurer et tracer la section à couper;
- bien soutenir et fixer la pièce, conformément aux règles de sécurité;
- utiliser le matériel de sécurité approprié, conformément aux règles de sécurité;
- garder la zone de travail propre et sécuritaire, conformément aux règles de sécurité;
- insérer la fiche et fermer le dispositif de protection, en s'assurant que l'interrupteur puisse mettre la scie en position de marche ou d'arrêt.

⚠ **AVERTISSEMENT** : il est important de bien soutenir la pièce et de tenir fermement la scie afin d'éviter de perdre la maîtrise de l'outil et de subir des blessures. La figure 3 illustre la position recommandée des mains.

INTERRUPTEUR

Pour mettre l'outil en marche, appuyer sur l'interrupteur à gâchette (fig. 10). L'outil continue de fonctionner tant qu'on appuie sur l'interrupteur.

Relâcher l'interrupteur à gâchette pour arrêter l'outil; ce dernier n'est doté d'aucun dispositif de verrouillage en position de marche; ne jamais le verrouiller dans cette position par quelque moyen que ce soit.

RÉGLAGE DE LA PLAQUE AMOVIBLE

On peut régler la plaque amovible (figure 11) à zéro quand l'échelle de coupe en biseau est elle aussi à zéro en desserrant la vis appropriée et en glissant la plaque jusqu'à la position voulue. Aligner ensuite la marque inscrite sur la plaque amovible avec la ligne marquée au crayon à mine sur le matériau à couper, puis faire avancer la lame dans la ligne de coupe. La plaque est dotée de réglages en biseau de zéro et de 45 degrés.

COUPE EFFECTUÉE À L'INTÉRIEUR DU MATÉRIAU (FIG. 12)

CE TYPE DE COUPE CONSISTE À TAILLER UN TROU AU MILIEU D'UNE PIÈCE SANS EN COUPER LES CÔTÉS. POUR CE FAIRE, ON DOIT :

- mesurer et tracer la section à couper;
- pencher la scie vers l'avant et appuyer le devant du patin sur le matériau à couper, de manière à amorcer l'entaille à l'arrière du trait de coupe;
- soulever le protège-lame au moyen du levier d'escamotage, en s'assurant que la lame n'entre pas en contact avec le matériau; démarrer le moteur et baisser graduellement la lame dans le matériau.
- ⚠ **AVERTISSEMENT** : dès que la lame mord dans le matériau, relâcher immédiatement le levier d'escamotage.
- Ne jamais bloquer le protège-lame en position soulevée.
- Une fois le patin complètement à plat sur le matériau à couper, terminer la coupe en faisant avancer la scie.
- Attendre que la lame s'immobilise complètement avant de soulever la scie hors du matériau.
- Reprendre les étapes décrites ci-dessus chaque fois qu'on amorce une nouvelle coupe.

RANGEMENT DE LA CLÉ

On peut ranger la clé de réglage de lame sur la patin de la scie, tel qu'illustré à la figure 13.

COUPES EN LONG

La scie n'est pas munie d'un guide de refend. Si on utilise un tel guide, on doit s'assurer qu'il puisse s'insérer adéquatement dans les fentes.

À défaut d'un guide de refend, on peut utiliser un guide de bord droit et le placer contre le bord du patin, ce qui permettra d'améliorer la précision de la coupe sans risquer de coincer la lame ou de causer des rebonds.

ENTRETIEN

Nettoyer l'outil au moyen d'un savon doux et d'un linge humide seulement. Ne jamais laisser de liquide s'infiltrer à l'intérieur de l'outil ni tremper ce dernier dans un liquide quelconque.

IMPORTANT : pour assurer la SÉCURITÉ et la FIABILITÉ de cet outil, toutes les opérations de réparation, d'entretien et de réglage (autres que celles décrites aux présentes) doivent être effectuées par un centre de service autorisé ou qualifié; seules des pièces de rechange identiques doivent être utilisées.

LUBRIFICATION

Les outils **Black & Decker** sont lubrifiés en usine et sont donc prêts à être utilisés.

ACCESSOIRES

Les accessoires recommandés pour cet outil sont vendus séparément chez un détaillant local.

⚠ **AVERTISSEMENT** : l'usage d'un accessoire non recommandé peut présenter un danger. N'utiliser que des lames de 184 mm (7 1/8 po) ayant un orifice d'arbre de 16 mm (5/8 po) de diamètre; on peut aussi utiliser des lames abrasives de 175 mm (7 po).

Lorsqu'on coupe du métal, on doit se protéger contre les étincelles projetées par la lame.

INFORMATION SUR LES SERVICES

Black & Decker dispose d'un réseau complet composé de centres de service et de centres autorisés situés partout en Amérique du Nord. Tous les centres de service Black & Decker sont dotés de personnel qualifié en matière d'outillage électrique; ils sont donc en mesure d'offrir à leur clientèle un service efficace et fiable.

Pour obtenir un conseil technique ou une pièce d'origine ou pour faire réparer un outil, on peut communiquer avec le centre Black & Decker le plus près. Pour obtenir le numéro de téléphone, consulter les pages jaunes sous la rubrique «Outils - électriques» ou composer le **1 800 544-6986**.

GARANTIE COMPLÈTE DE DEUX ANS POUR USAGE RÉSIDENTIEL

Black & Decker (U.S.) Inc. garantit ce produit pour une période de deux ans contre tout défaut de matériel ou de fabrication. Le produit défectueux sera réparé ou remplacé sans frais, suivant l'une des deux méthodes suivantes.

La première méthode consiste en un échange seulement. On doit retourner le produit au détaillant qui l'a vendu (pourvu qu'il s'agisse d'un détaillant participant), en respectant les délais stipulés dans sa politique relative aux échanges (normalement de 30 à 90 jours après la vente). Une preuve d'achat peut être requise. On doit vérifier la politique de retour du détaillant pour tout produit retourné après le délai prescrit pour les échanges.

La deuxième méthode consiste à apporter ou à envoyer le produit (prépayé) à un centre Black & Decker ou à un centre de service autorisé aux fins de réparation ou de remplacement, selon notre choix. Une preuve d'achat peut être requise. Les centres Black & Decker et les centres de service autorisés sont répertoriés dans les pages jaunes sous la rubrique «Outils - électriques».

Cette garantie ne s'applique pas aux accessoires. Elle confère des droits légaux particuliers à l'acheteur, mais celui-ci pourrait aussi bénéficier d'autres droits variant d'un territoire à l'autre.

Toute question doit être adressée au gérant du centre Black & Decker le plus près. Ce produit n'est pas destiné à un usage commercial.

Remplacement gratuit de l'étiquette d'avertissement :

En cas de perte ou d'endommagement des étiquettes d'avertissement, composer le **1 800 544-6986** afin d'en obtenir de nouvelles sans frais.

Imported by / Importé par
Black & Decker Canada Inc.
100 Central Ave.
Brockville (Ontario) K6V 5W6

Voir la rubrique "Outils électriques"
des Pages Jaunes
pour le service et les ventes.



MANUAL DE INSTRUCCIONES

INFORMACION CLAVE QUE DEBE SABER

- Un disco afilado mejorará el rendimiento dramáticamente.
- Un disco desafilado ocasionará corte lento e ineficiente.
- Siempre apoye las piezas de trabajo apropiadamente. (Vea las ilustraciones de soporte de las piezas de trabajo en este manual.)

⚠ REGLAS GENERALES DE SEGURIDAD

⚠ **ADVERTENCIA:** Lea y comprenda todas las instrucciones. No seguir todas las instrucciones enlistadas a continuación puede resultar en choque eléctrico, incendio y(o) lesiones personales de gravedad.

CONSERVE ESTAS INSTRUCCIONES

AREA DE TRABAJO

- **Conserve su área de trabajo limpia y bien iluminada.** Las bancas amontonadas y las zonas oscuras propician los accidentes.
- **No opere herramientas eléctricas en atmósferas explosivas, como en presencia de líquidos, gases o polvos inflamables.** Las herramientas eléctricas producen chispas que pueden originar la ignición de los polvos o los vapores.
- **Conserve a observadores, niños y visitantes alejados mientras opera una herramienta eléctrica.** Las distracciones pueden ocasionar que pierda el control.

SEGURIDAD ELECTRICA

- **Las herramientas con doble aislamiento están equipadas con una clavija polarizada (con una pata más ancha que la otra.) Esta clavija se acoplará únicamente en una toma de corriente polarizada de una manera. Si la clavija no se acopla al contacto, inviértala. Si aún así no se ajusta, comuníquese con un electricista calificado para que le instalen una toma de corriente polarizada apropiada.** El doble aislamiento elimina la necesidad de cables con tres hilos y sistemas de alimentación con conexión a tierra.
- **Evite el contacto corporal con superficies aterrizadas tales como tuberías, radiadores, hornos y refrigeradores.** Hay un gran riesgo de choque eléctrico si su cuerpo hace tierra.
- **No exponga las herramientas eléctricas a la lluvia o a condiciones de mucha humedad.** El agua que se introduce en las herramientas aumenta el riesgo de descargas eléctricas.
- **No maltrate el cable. Nunca tome el cable para transportar una herramienta ni para desconectarla de la toma de corriente. Consérvelo alejado de calor aceite, bordes afilados o piezas móviles. Cambie inmediatamente los cables dañados.** Los cables dañados aumentan el riesgo de choque eléctrico.
- **Cuando opere una herramienta eléctrica a la intemperie, utilice una extensión marcada "W-A" o "W".** Estas extensiones están clasificadas para uso a la intemperie y para reducir el riesgo de choques eléctricos.

SEGURIDAD PERSONAL

- **Esté alerta, concéntrese en lo que está haciendo. Recurra al sentido común cuando opere una herramienta eléctrica. No opere ninguna herramienta si se encuentra fatigado o bajo la influencia de drogas, alcohol o medicamentos.** Un momento de desatención mientras se operan herramientas eléctricas puede ocasionar lesiones graves.
- **Vístase de manera adecuada. No tenga puestas ropas o artículos de joyería flojos. Cubra su cabello si lo tiene largo. Conserve su cabello, sus ropas y guantes alejados de las piezas móviles.** Las piezas de vestir flojas, las joyas y el cabello largo pueden resultar atrapados por las piezas móviles.
- **Evite el encendido accidental. Asegúrese que el interruptor esté en posición de apagado antes de conectar.** Sostener una herramienta con el dedo en el interruptor o conectarla sin fijarse si el interruptor está en posición de encendido propicia los accidentes.
- **Retire las llaves de ajuste antes de encender la herramienta.** Una llave que se deja en una pieza giratoria puede ocasionar lesiones personales.
- **No se sobreextienda. Conserve siempre los pies bien apoyados, al igual que el equilibrio.** La posición correcta de los pies y el equilibrio permiten controlar mejor la herramienta en situaciones inesperadas.
- **Utilice equipo de seguridad. Siempre utilice protección en los ojos.** Se deben utilizar mascarillas contra polvo, zapatos antiderrapantes, casco o protectores para los oídos para tener las condiciones apropiadas.

USO Y CUIDADOS DE LA HERRAMIENTA

- **Utilice prensas u otros medios prácticos para asegurar y apoyar la pieza de trabajo en una plataforma estable.** Sujetar las piezas con la mano o contra su cuerpo es inestable y puede originar la pérdida de control.
- **No fuerce la herramienta. utilice la herramienta apropiada para su aplicación.** La herramienta apropiada hará el trabajo mejor y de manera más segura bajo las especificaciones para las que se diseñó.
- **No utilice la herramienta si el interruptor no enciende y apaga.** Cualquier herramienta que no pueda controlarse por medio del interruptores peligrosa y debe reemplazarse.
- **Desconecte la clavija de la toma de corriente antes de hacer cualquier ajuste, cambio de accesorios o de guardar la herramienta.** Tales medidas de seguridad preventivas reducirán el riesgo de que la herramienta se encienda accidentalmente.
- **Guarde las herramientas fuera del alcance de los niños y de otras personas no capacitadas.** Las herramientas son peligrosas en manos de personas no capacitadas.
- **Cuide sus herramientas. Conserve las herramientas de corte afiladas y limpias.** Las herramientas que reciben un mantenimiento adecuado, con piezas de corte afiladas, difícilmente se atascan y son más fáciles de controlar.
- **Verifique la alineación de las piezas móviles, busque fracturas en las piezas y cualesquiera otras condiciones que puedan afectar la operación de las herramientas. Si está dañada, lleve su herramienta a servicio antes de usarla de nuevo.** Muchos accidentes se deben a herramientas con mantenimiento pobre.
- **Solamente use accesorios que el fabricante recomiende para su modelo de herramienta.** Los accesorios que estén diseñados para una herramienta, pueden volverse peligrosos cuando se emplean con otra.

SERVICIO

- **El servicio a las herramientas lo debe efectuar únicamente personal calificado.** El servicio o mantenimiento realizado por personal no calificado puede originar riesgos de lesiones.
- **Cuando efectúe servicio a una herramienta, utilice únicamente refacciones idénticas. Siga las instrucciones de la sección de Mantenimiento de este manual.** El empleo de piezas no autorizadas o no seguir las instrucciones de mantenimiento puede originar riegos de choque eléctrico o lesiones.

⚠ REGLAS DE SEGURIDAD ESPECÍFICAS

- ⚠ **¡PELIGRO! Mantenga las manos alejadas de la hoja y el área de corte. Mantenga la otra mano sobre la perilla auxiliar, o cubierta del motor.** Si ambas manos sostienen la sierra, la hoja no puede cortarlas.
- **Mantenga su cuerpo a un lado de la hoja de sierra, pero no en línea con la hoja.** El rebote brusco de la sierra podría hacerlo saltar hacia atrás. (Vea “Causas de rebote y prevención del operador.”)
- **No se incline por debajo de la pieza de corte.** El protector no podrá protegerlo de la hoja debajo de la pieza.
- **Verifique que el protector inferior se cierra correctamente cada vez antes de usar. No opere la sierra si el protector inferior no se mueve libremente y se cierra al instante. Nunca sujete o amarre el protector inferior en la posición abierta.** Si la sierra se cae accidentalmente, el protector inferior puede torcerse. Levante el protector con el mango de retracción y asegúrese de que se mueve libremente y no toca la hoja u otra parte, a todos los ángulos y profundidad del corte.
- **Verifique la operación y condición del resorte del protector inferior. Si el protector y el resorte no operan correctamente, se les debe dar servicio antes de usar.** El protector inferior podría funcionar lentamente debido a partes dañadas, depósitos gomosos, o acumulación de residuos.
- **El protector inferior debe retractarse manualmente sólo para cortes especiales como “Cortes internos” y “Cortes compuestos.” Levante el protector inferior con el mango de retracción. Tan pronto como la hoja penetra el material, se debe liberar el protector.** Para todo otro tipo de aserrado, el protector inferior debe funcionar automáticamente.
- **Asegúrese siempre de que el protector inferior cubre la hoja antes de poner la sierra sobre el banco o piso.** Una hoja sin protector y aun rodando, hará que la sierra camine hacia atrás, cortando lo que se le atraviere en el camino. Esté consciente del tiempo que le toma a la hoja parar después de soltar el interruptor.
- **NUNCA sostenga la pieza a cortar en las manos o sobre la pierna.** Es importante

apoyar la pieza adecuadamente para minimizar la exposición corporal, el trabado de la hoja o pérdida de control.

- **Sostenga la herramienta por las superficies de agarre con aislamiento al ejecutar una operación donde la herramienta para corte pueda hacer contacto con el cableado oculto o el cable de la misma.** El contacto con un cable con corriente hará que las partes expuestas de la herramienta que sean de metal, tengan corriente y proporcionen un electrochoque al operador.
- **Al hacer cortes longitudinales, utilice siempre una guía de corte o de canto recto.** Esto mejora la exactitud del corte y reduce la posibilidad de que la hoja se atasque.
- **Use siempre hojas de tamaño y forma adecuada para los agujeros del eje (adiamantado versus redondo).** Las hojas que no encajan en el herraje de montaje de la sierra correrán excéntricamente, ocasionando pérdida de control.
- **No use nunca arandelas o tornillos de sierra dañadas o incorrectas.** Las arandelas y tornillos de sierra fueron diseñados específicamente para óptimo rendimiento y operación segura de la sierra.

⚠ **ADVERTENCIA: No use este producto para podar árboles o follaje.**

CAUSAS DEL REBOTE Y PREVENCIÓN DEL OPERADOR.

- El rebote es una reacción repentina de una hoja de sierra enganchada, atascada o descentrada, que descontrola la sierra haciéndola elevarse fuera de la pieza de corte en dirección hacia el operador.
- Cuando la hoja queda enganchada o retenida fuertemente por el corte cerrando el paso, la hoja se trava y la reacción del motor impulsa a que la unidad retroceda rápidamente hacia el operador.
- Si la hoja se tuerce o se descentra en el corte, los dientes del borde posterior de la hoja puede penetrar dentro de la superficie de la madera haciendo que la hoja se lance fuera del corte y salte retrocediendo hacia el operador
- El rebote es el resultado del maltrato a la herramienta y /o por procedimientos o condiciones no apropiadas y puede evitarse tomando las precauciones adecuadas que se dan a continuación.
 - Sostenga la sierra firmemente con las dos manos y ponga su cuerpo y su brazo en posición que le permita resistir las fuerzas del REBOTE.** El operador puede controlar las fuerzas del rebote si se toman las precauciones del caso.
 - Cuando la hoja se atasca, o cuando usted interrumpe un corte por alguna razón, suelte el interruptor de disparo y mantenga la sierra inmóvil dentro del material hasta que la hoja se pare completamente. No trate nunca de quitar la sierra de la pieza de corte o tirar la sierra hacia atrás si la hoja todavía está en movimiento. Podría ocurrir un REBOTE.** Investigue la causa de atascamiento de la hoja. y tome las medidas correctivas para eliminarla.
 - Al volver a arrancar la sierra dentro de la pieza de corte, centre la hoja en el corte y verifique que los dientes de la sierra no están enganchados en el material.** Si la hoja se atascara, ésta podría salirse o REBOTAR de la pieza de corte al momento de volver a arrancar la sierra.
 - Dé apoyo a paneles grandes para minimizar el riesgo de presión y REBOTE de la hoja.** Los paneles grandes tienden a doblegarse por su propio peso. Se debe poner apoyos debajo del panel en ambos lados, cerca de la línea de corte y del borde del panel.
 - No use hojas sin filo o dañadas.** Hojas sin filo o mal fijadas producen un corte estrecho y fricción excesiva, atascamiento de la hoja y rebote.
 - Las palancas de bloqueo para el ajuste de profundidad y biselado deben estar sólidamente apretados antes de hacer el corte.** Si el ajuste de la hoja se desplaza mientras usted corta, puede atascarse y REBOTAR.
 - Tenga gran precaución al hacer un corte interno en paredes existentes u otras áreas ciegas.** La hoja proyectada puede cortar objetos que ocasionen REBOTE. Guarde estas instrucciones.

GUARDE ESTAS INSTRUCCIONES

REGLAS DE SEGURIDAD ADICIONALES: SIERRAS CIRCULARES

- ⚠ **AVERTISSEMENT** : El polvo creado al lijar, aserrar, pulir, taladrar o realizar otras actividades de la construcción, contiene sustancias químicas que se sabe producen cáncer, defectos de nacimiento u otros defectos del sistema reproductor. Algunos ejemplos de esos productos químicos son:
 - El plomo de las pinturas a base de plomo,
 - La sílice cristalina de los ladrillos, del cemento y de otros productos de albañilería, y
 - El arsénico y el cromo de la madera tratada químicamente (CCA).

El riesgo que se corre a causa del contacto con esos productos varía según la frecuencia con que usted realice este tipo de trabajos. Con el fin de reducir su exposición a esas sustancias químicas, trabaje en un área bien ventilada y utilice un equipo de seguridad reglamentario, tal como una máscara contra el polvo especialmente diseñada para filtrar partículas microscópicas.

- **Evite el contacto prolongado con el polvo proveniente del lijado, aserrado, amolado y taladrado eléctrico y otras actividades de construcción. Use vestimenta protectora y lave todas las áreas expuestas con agua y jabón.** De entrar polvo en sus ojos, boca, o que este permanezca sobre su piel puede promover la absorción de químicos dañinos.

- ⚠ **AVERTISSEMENT** : El uso de esta herramienta puede generar y/o dispersar el polvo, el cual puede ocasionar lesión respiratoria u otro tipo de lesión grave y permanente. Utilice siempre protección respiratoria NIOSH/OSHA apropiada para la exposición al polvo. Dirija las partículas lejos de su cara o su cuerpo.

- ⚠ **ATENCIÓN:** Use protección auditiva apropiada cuando usa la herramienta. Bajo ciertas condiciones y el tiempo que se usa la herramienta, el ruido proveniente de este producto podría contribuir a pérdida auditiva.

- **Si el protector inferior queda enganchado sobre una superficie por debajo del material que se está cortando puede reducir momentáneamente el control del operador.** La sierra puede elevarse parcialmente fuera del corte aumentando así la posible torcedura de la hoja. Asegúrese de tener espacio suficiente debajo de la pieza a cortar.
- **Use la palanca de retracción cuando es necesario levantar el protector inferior manualmente.**

- **MANTENGA LAS HOJAS LIMPIAS Y AFILADAS.** Las hojas afiladas minimizan el atascamiento y el rebote. Usar hojas sin filo y/o sucias va en menoscabo de la eficiencia de la sierra, lo que hace que el operador arremeta con más fuerza y provoque torceduras a la hoja.

- ⚠ **PELIGRO: MANTENGA LAS MANOS ALEJADAS DEL ÁREA DE CORTE.** Mantenga las manos alejadas de las hojas. Nunca coloque las manos delante o detrás del recorrido de la hoja mientras corta. No se incline debajo de la pieza de corte mientras la hoja está girando. No trate de quitar material cortado cuando la hoja está en movimiento.

- **DÉ APOYO A LOS PANELES GRANDES.** Los paneles grandes deben tener un soporte como se ilustra (Fig. 1) en este manual para minimizar el riesgo de hoja enganchada y rebote. Cuando la operación de corte requiere que la sierra descansa sobre la pieza de corte, ésta deberá descansar sobre la porción más grande mientras se corta la porción menor.

- **USE SÓLO HOJAS Y SUS COMPONENTES IDÓNEOS AL MONTAR LAS HOJAS.** No use hojas con agujeros de tamaño incorrecto. No use nunca arandelas o tornillos de hoja defectuosos. Siga los procedimientos para montar las hojas.

- **AJUSTES.** Antes de cortar asegúrese de que los ajustes de profundidad y biselados están sólidamente fijados.

- **APOYE Y AFINQUE EL TRABAJO ADECUADAMENTE.** Asegúrese de que el material a cortar está bien afianzado (Fig. 3) y sólidamente apoyado y balanceado sobre una superficie fuerte, estable y nivelada. Apoye la pieza de manera que la porción más ancha de la calza está puesta sobre la porción del material que no se cae después de haber hecho el corte. No tome nunca la pieza cortada con la mano (Fig. 4). Puede resultar en REBOTE por enganche de la hoja. Mantenga ambas manos sobre la sierra en todo momento.

- **MANTÉNGASE ALERTA Y EJERZA CONTROL.** Mantenga el cuerpo a un lado de la hoja. Mantenga siempre control sobre la sierra y sosténgala firmemente con ambas manos. No cambie la forma de agarre o la posición del cuerpo mientras la sierra está funcionando. Tome precauciones para evitar lesiones causadas por piezas ya cortadas y otro material que cae durante la operación.

- ⚠ **PELIGRO: SUELTE EL INTERRUPTOR INMEDIATAMENTE SI LA HOJA SE ATASCA O LA SIERRA SE TRABA.**

PROTÉJASE CONTRA LOS REBOTES.

- **EL REBOTE PUEDE SER OCASIONADO DEBIDO** a que la hoja de la sierra se enganche, se tuerza o se atasque mientras corta, o cuando se trava la sierra. Si la hoja se tuerce o se descentra en el corte, los dientes del borde posterior de la hoja pueden penetrar dentro de la superficie superior de la madera y hacer que la hoja que la hoja se lance fuera del corte y salte retrocediendo hacia el operador.

PARA REDUCIR EL RIESGO DE REBOTE

- Sujete la sierra firmemente con ambas manos en todo momento.
- Manténgase alerta – ejerza control.
- Suministre apoyo a materiales de tamaño largo en posición suspendida. A medida que se corta y se debilita el material, se irá doblegando, y hará que la hoja se enganche.
- Apoye los paneles grandes según se ilustra (Fig. 1). Material que se apoya sólo en los extremos (Fig. 2) hará que la hoja se enganche.

- Evite aserrar más arriba de su cabeza. El material puede doblarse y engancharse en la hoja.
- Mantenga las hojas afiladas y limpias.
- Al hacer cortes longitudinales, utilice siempre una guía de corte o de canto recto. Proceda con cuidado, ya que la tira cortada puede doblarse o torcerse, cerrando el corte o engancharse la hoja, lo cual puede ocasionar REBOTE.
- No fuerce la herramienta. Las variaciones en la madera, tales como nudos, dureza, robustez, humedad, tratamiento a presión y madera recién cortada, pueden restarle mucha eficiencia a la sierra haciendo que la misma se trabaje. Empuje la sierra más lentamente si esto ocurre.
- No quite la sierra de la pieza durante el corte mientras la hoja se mueve.
- Deje que la sierra tenga velocidad plena antes de que la hoja toque el material a ser cortado. Arrancar la sierra con la hoja contra la pieza de corte o empujada hacia adelante dentro del corte puede hacer que la sierra se trabaje o haga un movimiento repentino hacia atrás.
- Nunca trate de levantar la sierra cuando está haciendo un corte biselado. Esto lleva a que la hoja se atasque y se trabaje.
- Siempre sujete la pieza de corte muy bien para prevenir que ésta se mueva durante el corte.
- No trate de forzar la sierra para ponerla otra vez en línea si el corte está desviándose de la línea. Esto puede ocasionar REBOTE. Pare la sierra y deje que la hoja ruede hasta pararse. Sáquela del corte y comience un nuevo corte sobre la línea.
- Haga el ajuste de profundidad de la sierra de manera que un diente de la sierra se proyecte debajo de la pieza como se ilustra en (Fig. 6).
- No apoye una hoja que está girando en el corte. La torcedura de la hoja puede hacer que el borde posterior de ésta penetre en el material, se salga de la pieza y se regrese hacia el operador.
- Evite cortar clavos. Inspeccione y quite todo clavo de la madera antes de cortar.

La etiqueta de su herramienta puede incluir los siguientes símbolos.

V	volts	A.....	amperes
Hz	hertz	W	watts
min	minutos	~	corriente alterna
====	corriente directa	no.....	velocidad sin carga
☐	construcción clase II	⊖	terminales de conexión a tierra
⚠	símbolo de alerta seguridad/min	revoluciones o reciprocaciones por minuto

USO DE CABLES DE EXTENSIÓN

Asegúrese que el cable de extensión esté en buenas condiciones antes de usar. Al utilizar un cable de extensión, asegúrese de que sea del tamaño correspondiente a la herramienta, o sea, lo suficientemente "pesado" como para transportar la corriente que la herramienta va a extraer. Un cable de tamaño insuficiente causará una caída en la línea de voltaje resultando en pérdida de energía y recalentamiento. Vea la tabla siguiente para el tamaño apropiado de cable.

CCalibre mínimo para cordones de extensión					
Volts	Longitud total del cordón en metros				
120V	0-7,6	7,6-15,2	15,2-30,4	30,4-45,7	
240V	0-15,2	15,2-30,4	30,4-60,9	60,9-91,4	
Amperje		Calibre del cordón AWG			
Más de	No más de				
0	-6	18	16	16	14
6	-10	18	16	14	12
10	-12	16	16	14	12
12	-16	14	12	No recomendado	

MOTOR

Verifique que el suministro de corriente concuerda con la placa de datos. 120 Voltios AC (corriente alterna) significa que la herramienta operará a corriente estándar casera de 60 Hz. No use herramientas de corriente alterna en corriente directa. El régimen nominal de 120 voltios AC/DC significa que la herramienta operará con corriente estándar 60 Hz AC o DC. Esta información está impresa en la placa de datos. Un voltaje menor ocasionará pérdida de poder y puede causar sobrecalentamiento. Todas las herramientas **Black & Decker** vienen probados desde fábrica; si esta herramienta no funciona, verifique el suministro de energía. Esta herramienta opera con corriente alterna únicamente.

ARMADO Y AJUSTE

AJUSTE DE LA PROFUNDIDAD DE CORTE

Ajuste la profundidad del corte con la palanca de ajuste de profundidad. Consulte las figuras 5 y 6 para conocer la forma de ajuste correcta. Apriete la palanca firmemente.

AJUSTE DEL ÁNGULO DE BISELADO

Ajuste el ángulo de biselado (Fig. 7) con la perilla de ajuste de biselado y la escala de biselado. Apriete la perilla firmemente.

[symbol] **ADVERTENCIA:** Siempre desconecte la sierra de la alimentación eléctrica antes de realizar las siguientes operaciones.

COLOCACIÓN Y EXTRACCIÓN DE LA HOJA

NOTA: La primera vez que quite el perno de la hoja de la sierra sin que haya una hoja instalada, tal vez sea necesario colocar la llave de la hoja sobre la cabeza del perno y golpearla con un impacto seco en sentido antihorario.

Baje el protector inferior y arme la hoja y las arandelas del sujetador en la forma ilustrada (Fig. 8). Compruebe que la superficie grande de la arandela quede hacia la hoja. Utilice madera de desecho o el mecanismo de bloqueo del husillo para impedir que gire el husillo. Apriete la hoja firmemente, tal como se ilustra Fig. 9.

NOTA: Nunca active el mecanismo de bloqueo de la hoja cuando la sierra esté encendida o con la intención de detener la herramienta. Nunca encienda la sierra cuando el mecanismo de bloqueo de la hoja esté activado. Podría dañar seriamente su sierra.

INSTRUCCIONES OPERATIVAS

⚠ **ADVERTENCIA:** Para reducir el riesgo de lesiones graves, lea, comprenda y obedezca todas las instrucciones y advertencias de seguridad antes de utilizar la herramienta.

CORTES GENERALES (IMPORTANTE: LEA LAS INSTRUCCIONES Y LAS ADVERTENCIAS DE SEGURIDAD.)

PROTECCIÓN CONTRA REBOTES

Con la unidad desconectada, siga todas las instrucciones de armado, ajuste y configuración. Compruebe que el protector inferior esté funcionando correctamente. Seleccione las hojas apropiadas para el material que cortará.

- Mida y marque el material para el corte.
- Apoye y sujete el material de manera apropiada (Consulte las reglas de seguridad y las instrucciones).
- Use el equipo de seguridad apropiado y requerido (consulte las reglas de seguridad).
- Asegure y mantenga el área de trabajo (consulte las reglas de seguridad).
- Inserte la clavija, cierre el protector y compruebe que el interruptor encienda y apague la sierra.

⚠ **ADVERTENCIA:** Es importante apoyar el material correctamente y sujetar la sierra con firmeza para evitar la pérdida de control, que puede provocar lesiones. En la figura 3 se ilustra la posición de la mano recomendada.

INTERRUPTOR

Para operar la herramienta, oprima el interruptor de gatillo que se ilustra en la figura 10. La herramienta funcionará todo el tiempo que el gatillo esté oprimido.

Suelte el interruptor de gatillo para apagar la herramienta. No hay ningún mecanismo para mantener la herramienta encendida y no debe utilizarse ningún medio para mantener el interruptor enganchedo en la posición de encendido.

AJUSTE DE LA PLACA DE CORTE

Ajuste la placa de corte (Fig. 11) a cero cuando la escala de biselado marque cero. Para hacerlo, afloje el tornillo de la placa de corte y deslice la placa según sea necesario. Alinee la marca en la placa de corte con la línea dibujada en lápiz sobre el material a cortar y avance la hoja en el corte. La placa de corte tiene línea para corte sin biselado o con biselado a 45 grados.

CORTES INTERNOS (FIG. 12)

Los cortes internos se utilizan para cortar agujeros en un material sin efectuar cortes desde el otro lado.

- Mida y marque el material.
- Incline la sierra hacia delante y apoye el frente de la calza sobre el material que cortará.

Alinee la sierra para que el corte comience en la parte trasera del rectángulo trazado.

- Use la palanca de retracción para levantar el protector de la hoja, de manera que la hoja rebese ligeramente el material. Encienda el motor y baje la sierra gradualmente hacia el material.

⚠ **ADVERTENCIA:** Suelte la palanca de retracción en cuanto la hoja comience a cortar el material.

- Nunca ate el protector de la hoja para mantenerlo levantado.
- Cuando la calza quede apoyada en forma plana sobre el material, complete el corte hacia adelante.
- Permita que la hoja se detenga por completo antes de extraer la sierra del material.
- Repita los pasos anteriores al iniciar cada corte.

ALMACENAMIENTO DE LA LLAVE

La llave de la hoja puede almacenarse en la calza de la sierra, como se muestra en la figura 13.

CORTES LONGITUDINALES

La sierra no está equipada con una guía para cortes longitudinales. Si instala una guía de este tipo, compruebe que ajuste correctamente en las ranuras.

Si no tiene una guía para cortes longitudinales que ajuste de manera correcta, utilice una guía de canto recto en contacto con el borde de la calza para mejorar la exactitud del corte y reducir la probabilidad de que la sierra se atore o rebote.

MANTENIMIENTO

Utilice únicamente jabón suave y una tela húmeda para limpiar la herramienta. No permita que entren líquidos en la herramienta y no sumerja ninguna parte de la herramienta en líquidos.

IMPORTANTE: Para garantizar la SEGURIDAD y FIABILIDAD del producto, todas las tareas de reparación, mantenimiento y ajuste (con excepción de las descritas en este manual) deben ser realizadas únicamente en centros de servicio autorizados o en otros centros de servicio calificados, siempre con piezas de repuesto idénticas.

LUBRICACIÓN

Las herramientas **Black & Decker** han sido lubricadas en la fábrica y están listas para usarse.

ACCESORIOS

Encontrará accesorios recomendados para la herramienta en los centros de venta de productos Black & Decker.

⚠ **ADVERTENCIA:** El uso de accesorios no recomendados para esta herramienta puede ser peligroso. Utilice únicamente hojas de 7-1/4 pulgadas (184 mm) con agujero de eje de 5/8 de pulgada. Excepción: puede utilizar hojas abrasivas de 7 pulgadas (175 mm).

Al cortar metales, tenga cuidado con las chispas calientes lanzadas por la hoja.

INFORMACIÓN DE SERVICIO

Black & Decker ofrece una red completa de centros de servicio propiedad de la compañía y franquiciados a través de toda Norteamérica. Todos los centros de servicio Black & Decker cuentan con personal capacitado para proporcionar el servicio a herramientas más eficiente y confiable.

Siempre que necesite consejo técnico, reparaciones o partes de repuesto genuinas, comuníquese con el centro Black & Decker más cercano a usted.

Para encontrar su centro de servicio local, consulte la sección amarilla bajo "Herramientas eléctricas", o llame al: 1-800-544-6986

GARANTÍA COMPLETA POR DOS AÑOS PARA USO DOMÉSTICO

Black & Decker (U.S.) Inc. garantiza que este producto estará libre de defectos de materiales y mano de obra durante un período de dos años. En caso de defectos, el producto defectuoso será reemplazado o reparado sin cargo alguno, de una de las dos maneras siguientes.

La primera opción, que únicamente puede utilizarse para cambios, es devolver el producto al vendedor (siempre y cuando la tienda sea un vendedor participante). Las devoluciones deben efectuarse durante el período de cambios estipulado por el vendedor (por lo general, 30 a 90 días a partir de la fecha de venta). Tal vez sea necesario que presente un comprobante de compra. Consulte con el vendedor para conocer los detalles de sus políticas de devolución para aquellos casos en que la devolución se lleva a cabo después del período establecido para cambios.

La segunda opción es llevar o enviar el producto (con gastos de transporte pagados por adelantado) a un centro de servicio Black & Decker (ya sea de la empresa o autorizado). Tal vez sea necesario que presente un comprobante de compra. Los centros de servicio Black & Decker, tanto de la empresa como autorizados, se indican en la sección "Herramientas, eléctricas" de la sección amarilla del directorio telefónico.

Esta garantía no se aplica a accesorios. Esta garantía le concede derechos legales específicos y usted puede tener otros derechos, que varían según el estado o la provincia. Si tiene preguntas relacionadas con la garantía, comuníquese con el gerente de un centro de servicio Black & Decker. Este producto no ha sido diseñado para uso comercial.

Sustitución gratuita de las etiquetas de advertencia:

Si sus etiquetas de advertencia se vuelven ilegibles o se pierden, llame al **1-800-544-6986** para conseguir repuestos gratuitos.

PARA REPARACION Y SERVICIO DE SUS HERRAMIENTAS ELECTRICAS FAVOR DE DIRIGIRSE AL CENTRO DE SERVICIO MAS CERCANO

CULIACAN	Av. Nicolas Bravo #1063 Sur	(56 77) 12 42 10
GAUDALAJARA	Av. La Paz #1770	(33 38) 26 69 78
LEON	Polara #32	(47 77) 13 14 56
MEXICO	Sonora #134 Hipodromo Condesa	(55 55) 53 99 79
MERIDA	Calle 63 #459	(99 99) 23 54 90
MONTERREY	Av. Francisco I. Madero Pte. 1820-A	(81 83) 72 11 25
PUEBLA	17 Norte #2057	(22 22) 46 90 20
QUERETARO	Av. Madero 139 Pte.	(44 22) 14 60 60
SAN LOUIS POTOSI	Pedro Moreno #408 Fracc. la Victoria	(44 48) 14 25 67
TORREON	Blvd. Independencia, 96 pte.	(87 17) 16 52 65
VERACRUZ	Prolongación Diaz Miron #4280	(29 99) 21 70 18
VILLAHERMOSA	Zaragoza #105	(99 33) 12 53 17

PARA OTRAS LOCALIDADES LLAME AL: (55) 5326-7100 INFORMACIÓN DE SERVICIO

ESPECIFICACIONES - FS1400CS

Tensión de alimentación:	120 V~	Potencia nominal:	1562W
Frecuencia de operacion:	60 Hz	Consumo de corriente:	14A

ESPECIFICACIONES - FS1300CS

Tensión de alimentación:	120 V~	Potencia nominal:	1450W
Frecuencia de operacion:	60 Hz	Consumo de corriente:	13A

IMPORTADO: BLACK & DECKER S.A. DE C.V.
BOSQUES DE CIDROS ACCESO RADIAS
NO. 42
COL. BOSQUES DE LAS LOMAS.
05120 MÉXICO, D.F.
TEL. (55) 5326-7100

Para servicio y ventas consulte
"HERRAMIENTAS ELECTRICAS"
en la sección amarilla.



Free Manuals Download Website

<http://myh66.com>

<http://usermanuals.us>

<http://www.somanuals.com>

<http://www.4manuals.cc>

<http://www.manual-lib.com>

<http://www.404manual.com>

<http://www.luxmanual.com>

<http://aubethermostatmanual.com>

Golf course search by state

<http://golfingnear.com>

Email search by domain

<http://emailbydomain.com>

Auto manuals search

<http://auto.somanuals.com>

TV manuals search

<http://tv.somanuals.com>