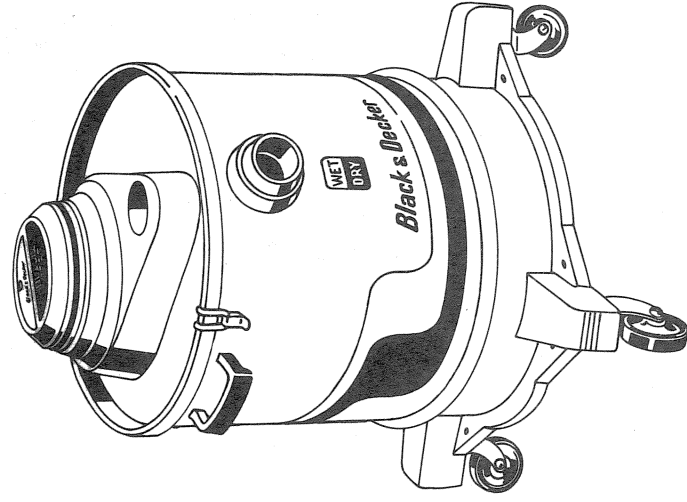




# OWNER'S MANUAL



Your new Black & Decker Vacuum Cleaner is a versatile machine that can vacuum in dry or wet areas. Many durable, low-cost accessories can also expand its usage to practically any kind of vacuum cleaning.

For personal safety and for proper operation of the Vacuum Cleaner, please read the instructions and safety rules carefully. Don't forget to send in your registration card. THANK YOU for buying BLACK & DECKER!

NO. 6601 5-GAL. WET-DRY VACUUM CLEANER

## WARNING

TO AVOID ELECTRIC SHOCK, DO NOT EXPOSE TO RAIN, STORE IN DOORS.

### COMMERCIAL/INDUSTRIAL USE WARRANTY

Black & Decker warrants this product for one year from date of purchase. We will repair without charge, any defects due to faulty material or workmanship. Please return the complete unit, transportation prepaid, to any Black & Decker Service Center or Authorized Service Station listed under "Tools Electric" in the yellow pages. This warranty does not apply to accessories or damage caused where repairs have been made or attempted by others.

### IMPORTANT!

To assure product SAFETY and RELIABILITY, repairs, maintenance and adjustment, (including brush inspection and replacement) should be performed by Black & Decker Service Centers or other qualified service organizations, always using Black & Decker replacement parts.

### FACTORY SALES & SERVICE CENTERS

Table listing Factory Sales & Service Centers across various states including Alabama, Arizona, California, Florida, Illinois, Indiana, Iowa, Kentucky, Louisiana, Maryland, Massachusetts, Michigan, Minnesota, Missouri, Nebraska, New Jersey, New York, North Carolina, Ohio, Oklahoma, Pennsylvania, Rhode Island, Tennessee, Texas, Utah, Virginia, Washington, West Virginia, Wisconsin, and Ontario.

THE BLACK & DECKER MFG. CO., TOWSON, MD. 21204, U.S.A.

Form No. 724196

(Sep 76)

Printed in U.S.A.



## SAFETY RULES FOR POWER TOOLS

- 1. AVOID DANGEROUS ENVIRONMENT. Don't expose power tools to rain. Keep work area well lit.
2. STORE IDLE TOOLS. When not in use, tools should be stored in dry, high or locked-up place - out of reach of children.
3. DON'T ABUSE CORD. Never pull cleaner by cord or yank it to disconnect from receptacle. Keep cord from heat, oil and sharp edges.
4. DISCONNECT TOOLS. When not in use, before servicing, when emptying cleaner.
5. AVOID ACCIDENTAL STARTING. Be sure switch is off when plugging in.
6. OUTDOOR USE EXTENSION CORDS. When tool is used outdoors, use only extension cords suitable for use outdoors and so marked.
7. DO NOT OPERATE vacuum cleaner in gaseous or explosive atmospheres. Motors in these tools normally spark, and the sparks might ignite fumes.

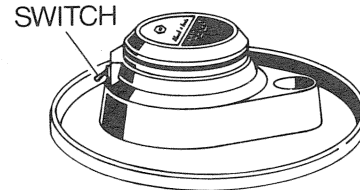
## ADDITIONAL SAFETY RULES FOR VACUUM CLEANERS

- 1. Always unplug the cord from the electric outlet before releasing clamps, at top of cleaner for emptying.
2. If you clean out fireplace ashes, be sure that they are dead out and cold.
3. Do not allow sparks from tools such as bench grinders, Sanders, etc. to be sucked into the cleaner, unless it has been completely emptied beforehand.
4. Do not use the cleaner to pick up combustible materials such as solvents, gasoline, etc.
5. Never maneuver the vacuum cleaner by pulling the electric cord.
6. Always use the poly foam filter sleeve during wet pick-up. This allows automatic shut-off valve to operate properly. Wear rubber overshoes or boots when cleaning wet areas.

## SWITCH

To start the vacuum cleaner, push the toggle switch lever, Figure 1, to the "ON" position. To stop the cleaner, push the switch lever to the "OFF" position.

FIG. 1



## LIFE-TIME LUBRICATION

No periodic lubrication is required as your Vacuum Cleaner is equipped with lubricant-sealed ball bearings. The lubricant will last for the life of the bearing.

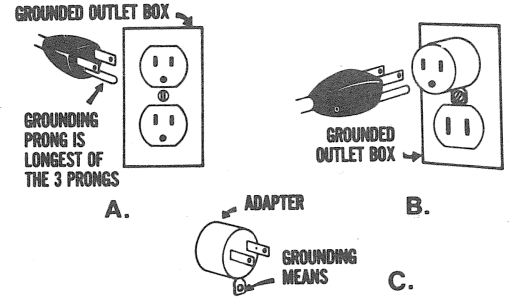
## GROUNDING

This tool should be grounded while in use to protect the operator from electric shock. The tool is equipped with an approved three-conductor cord and three-prong grounding type plug to fit the proper grounding type receptacle.

An adapter, Figures B and C, is available for connecting Figure A plugs to two-prong receptacles. The green-colored rigid ear, lug, etc., must be connected to a permanent ground such as a properly grounded outlet box.

Adapter shown in Figures B & C is Not for Use in Canada.

We recommend that you NEVER disassemble the tool or try to do any rewiring in the electrical system. Any such repairs should be performed only by B&D Service Centers or other qualified service organizations. Should you be determined to make a repair yourself, remember that the green colored wire is the "grounding" wire. Never connect this green wire to a "live" terminal. If you replace the plug on the power cord, be sure to connect the green wire only to the grounding (longest) prong on a 3-prong plug.



## EXTENSION CORD

When using the tool at a distance where an extension cord becomes necessary, a 3-conductor, grounding-type extension cord of adequate size must be used for safety, and to prevent loss of power and over-heating.

Table showing wire size requirements for extension cord lengths of 25, 50, 75, and 100 feet at 120 Volts.

Use only three wire extension cords which have three-prong grounding-type plugs and three-pole receptacles which accept the tools plug. Replace or repair damaged cords.

## THE POWER UNIT

(Figure 2)

Release the clamps at the top of the tank and lift off the power unit shown in Figure 2. Place the unit gently on its side. The tank can then be emptied, and the paper or poly foam sleeve inspected.

The poly foam sleeve must always be placed over the bag stretcher, before operating the unit. When paper filter bags are used, they are slipped over the poly foam sleeve and held in place by the elastic straps and "Z" hooks.

To reassemble the vacuum cleaner, place the power unit on the tank taking care that the lid is properly seated. A stiff resistance should be felt as the clamps are snapped into the closed position. This indicates that the lid seal is positioned and working correctly.

**USAGE**

Your Black & Decker Vacuum Cleaner is a versatile machine that can use a wide variety of accessories for practically any type of cleaning operation. This includes the vacuuming of wet areas and the pick-up of wet materials. Accessory cleaning tools are made of durable, corrosion resistant plastic and are low in cost.

If you use the cleaner for picking up corrosive liquids such as salt water, empty and rinse out the tank immediately after use. The efficiency of the Vacuum Cleaner, in WET and DRY cleaning, is dependent on the air filtering poly foam sleeve, Figure 2. The sleeve should be kept clean by washing it in warm water with a mild detergent. Allow it to dry before using. Inspect the sleeve frequently for signs of abrasion, cuts or tears and replace it immediately if it is damaged. Failure to do so could result in damage to the motor. NEVER use the cleaner without the poly foam sleeve attached on the bag stretcher (Figure 2).

Accessory Paper Bags (No.U-1469), which are slipped over the poly foam sleeve and held in place by the elastic straps and "Z" hooks, should be used when cleaning up DRY materials. These bags will protect and keep the poly foam sleeve from clogging during dry vacuuming. Inspect the paper bag regularly, and when it becomes dirty and starts clogging up, throw the bag away and replace with a new clean one.

Before using the cleaner for WET pick-up, remove the paper bag and empty all dry materials from the tank.

For picking up ultra-fine powders, such as plaster or concrete dust, use two B&D Filter Bags Cat. No. 49521 laid over the edge of the tank and clamped in place by the lid.

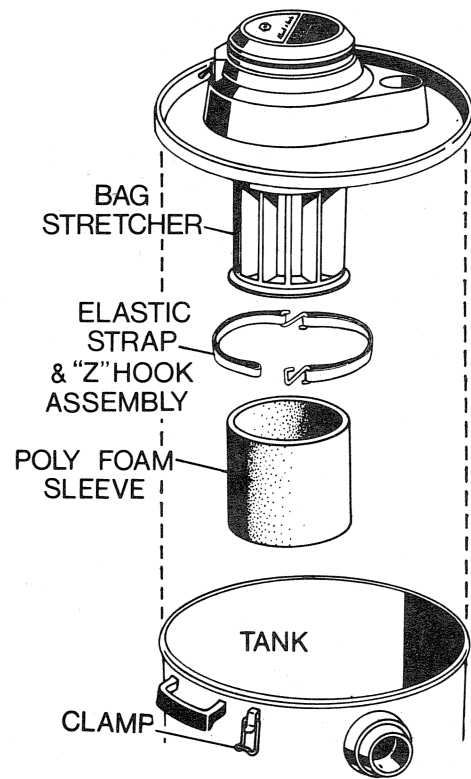


FIG. 2

**AVAILABLE ACCESSORIES**

Cat. No.	Item	Use
54014 54023	10 ft., 1½" diam. Flexible Plastic Hose (shown)	For use with 1½" diam. accessories
49152	Double Angle Extension Wand	For use with 1½" diam. accessories
54011 54017	6" Master Head 14" Master Head (shown)	For use with shoe accessories
54013 54018	6" Brush Shoe 14" Brush Shoe (shown)	For general dry floor cleaning
54019	14" Carpet Shoe	For cleaning carpets and rugs
54012 54020	6" Squeegee Shoe 14" Squeegee Shoe (shown)	For water pick-up
40004	Crevice Tool	For narrow and tight places
U-1469	Paper Filter Bags (Pkg. of 5)	Fits over and protects Poly Foam Sleeve
54016	Poly Foam Sleeve (Standard Equipment with Cleaner)	Primary air filter

Caution: The above accessories are recommended for use with your vacuum cleaner, the use of any other accessory might be hazardous.

**SETTING UP**

(Figures 3, 4)

The carton you receive includes the following:

1. Power Unit and Tank "A", completely assembled.
2. A flexible accordion-type hose "B", 1¼-inch diameter, 6 feet long.
3. A 6-inch Master Head "D".
4. 1¼-inch Crevice Tool "E".
5. A 4-wheeled Dolly.

First push the end of the hose into the intake opening.

To attach Dolly (Figure 4) to cleaner see assembly instructions packed in cleaner.

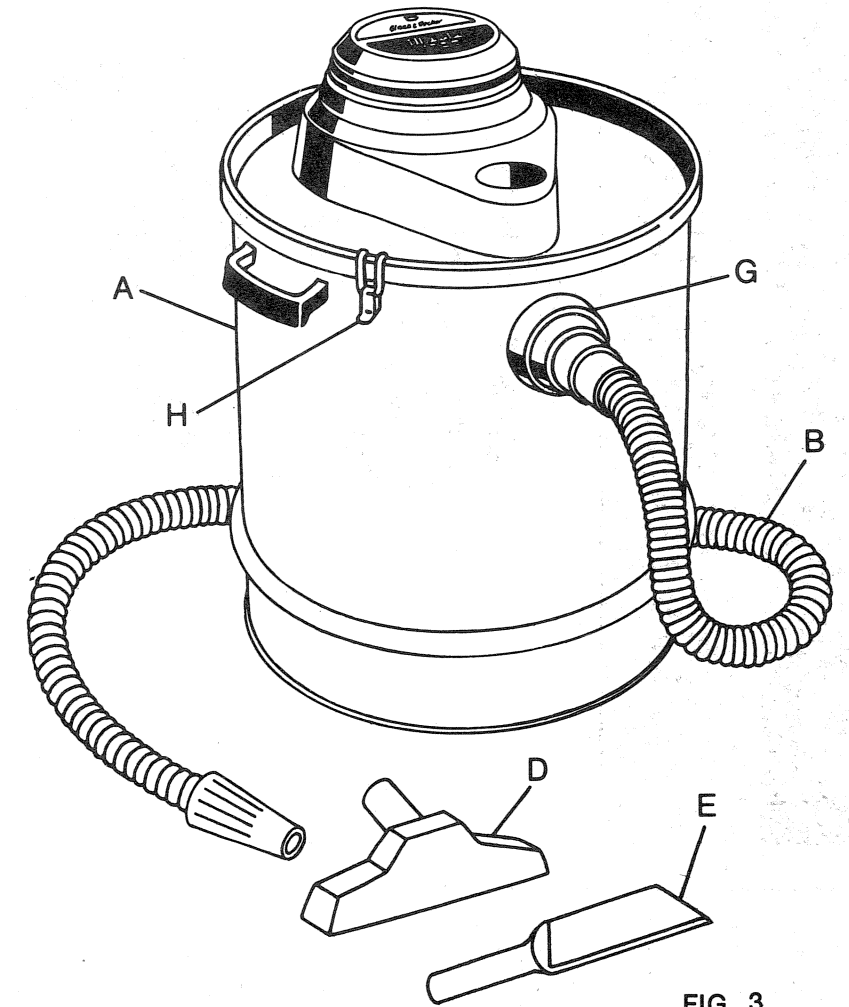


FIG. 3

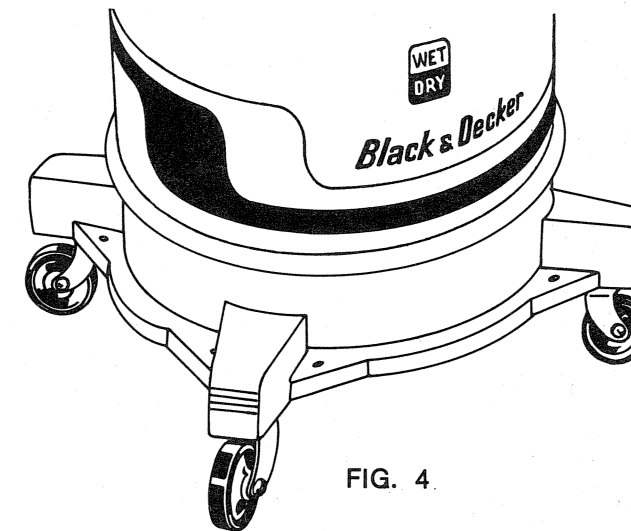


FIG. 4

## Free Manuals Download Website

<http://myh66.com>

<http://usermanuals.us>

<http://www.somanuals.com>

<http://www.4manuals.cc>

<http://www.manual-lib.com>

<http://www.404manual.com>

<http://www.luxmanual.com>

<http://aubethermostatmanual.com>

Golf course search by state

<http://golfingnear.com>

Email search by domain

<http://emailbydomain.com>

Auto manuals search

<http://auto.somanuals.com>

TV manuals search

<http://tv.somanuals.com>