

BLADEOS™ 6.5
Application Guide

RackSwitch™ G8124/G8124-E

Part Number: BMD00220, October 2010

BLADE
NETWORK TECHNOLOGIES

2051 Mission College Blvd.
Santa Clara, CA 95054
www.bladenetwork.net

Copyright © 2010 BLADE Network Technologies, Inc., 2051 Mission College Blvd., Santa Clara, California, 95054, USA. All rights reserved. Part Number: BMD00220.

This document is protected by copyright and distributed under licenses restricting its use, copying, distribution, and decompilation. No part of this document may be reproduced in any form by any means without prior written authorization of BLADE Network Technologies, Inc. Documentation is provided “as is” without warranty of any kind, either express or implied, including any kind of implied or express warranty of non-infringement or the implied warranties of merchantability or fitness for a particular purpose.

U.S. Government End Users: This document is provided with a “commercial item” as defined by FAR 2.101 (Oct. 1995) and contains “commercial technical data” and “commercial software documentation” as those terms are used in FAR 12.211-12.212 (Oct. 1995). Government End Users are authorized to use this documentation only in accordance with those rights and restrictions set forth herein, consistent with FAR 12.211- 12.212 (Oct. 1995), DFARS 227.7202 (JUN 1995) and DFARS 252.227-7015 (Nov. 1995).

BLADE Network Technologies, Inc. reserves the right to change any products described herein at any time, and without notice. BLADE Network Technologies, Inc. assumes no responsibility or liability arising from the use of products described herein, except as expressly agreed to in writing by BLADE Network Technologies, Inc. The use and purchase of this product does not convey a license under any patent rights, trademark rights, or any other intellectual property rights of BLADE Network Technologies, Inc.

BLADE Network Technologies, the BLADE logo, BLADEHarmony, BNT, NMotion, RackSwitch, Rackonomics, RackSwitch Solution Partner, ServerMobility, SmartConnect and VMready are trademarks of BLADE Network Technologies, Inc. in the United States and certain other countries. Cisco® and EtherChannel® are registered trademarks of Cisco Systems, Inc. in the United States and certain other countries. VMware is a registered trademark or trademark of VMware, Inc. in the United States and/or other jurisdictions. Any other trademarks appearing in this manual are owned by their respective companies.

Originated in the USA.

Contents

Preface ■ 17

- Who Should Use This Guide ■ 17
- What You'll Find in This Guide ■ 17
- Additional References ■ 20
- Typographic Conventions ■ 21
- How to Get Help ■ 22

Part 1: Getting Started ■ 23

Chapter 1: Switch Administration ■ 25

- Administration Interfaces ■ 25
 - Command Line Interface ■ 26
 - Browser-Based Interface ■ 26
- Establishing a Connection ■ 27
 - Using the Switch Management Ports ■ 27
 - Using the Switch Data Ports ■ 29
 - Using Telnet ■ 30
 - Using Secure Shell ■ 31
 - Using a Web Browser ■ 32
 - Configuring HTTP Access to the BBI ■ 32
 - Configuring HTTPS Access to the BBI ■ 32
 - BBI Summary ■ 34
 - Using Simple Network Management Protocol ■ 35
- BOOTP/DHCP Client IP Address Services ■ 36
 - Global BOOTP Relay Agent Configuration ■ 37
 - Domain-Specific BOOTP Relay Agent Configuration ■ 37
- Switch Login Levels ■ 38
- Setup vs. the Command Line ■ 39

Chapter 2: Initial Setup ■ 41

Information Needed for Setup ■ 41

Default Setup Options ■ 42

Stopping and Restarting Setup Manually ■ 42

Setup Part 1: Basic System Configuration ■ 43

Setup Part 2: Port Configuration ■ 44

Setup Part 3: VLANs ■ 46

Setup Part 4: IP Configuration ■ 47

IP Interfaces ■ 47

Default Gateways ■ 49

IP Routing ■ 49

Setup Part 5: Final Steps ■ 50

Optional Setup for Telnet Support ■ 51

Part 2: Securing the Switch ■ 53

Chapter 3: Securing Administration ■ 55

Secure Shell and Secure Copy ■ 55

Configuring SSH/SCP Features on the Switch ■ 56

Configuring the SCP Administrator Password ■ 57

Using SSH and SCP Client Commands ■ 57

SSH and SCP Encryption of Management Messages ■ 59

Generating RSA Host and Server Keys for SSH Access ■ 60

SSH/SCP Integration with Radius Authentication ■ 60

SSH/SCP Integration with TACACS+ Authentication ■ 61

SecurID Support ■ 61

End User Access Control ■ 62

Considerations for Configuring End User Accounts ■ 62

Strong Passwords ■ 62

User Access Control ■ 63

Listing Current Users ■ 64

Logging into an End User Account ■ 64

Chapter 4: Authentication & Authorization Protocols ■ 65**RADIUS Authentication and Authorization ■ 65**

How RADIUS Authentication Works ■ 66

Configuring RADIUS on the Switch ■ 66

RADIUS Authentication Features in BLADEOS ■ 67

Switch User Accounts ■ 68

RADIUS Attributes for BLADEOS User Privileges ■ 68

TACACS+ Authentication ■ 69

How TACACS+ Authentication Works ■ 69

TACACS+ Authentication Features in BLADEOS ■ 70

Authorization ■ 70

Accounting ■ 71

Command Authorization and Logging ■ 71

Configuring TACACS+ Authentication on the Switch ■ 72

LDAP Authentication and Authorization ■ 73**Chapter 5: Access Control Lists ■ 75**

Summary of Packet Classifiers ■ 76

Summary of ACL Actions ■ 78

Assigning Individual ACLs to a Port ■ 78

ACL Order of Precedence ■ 78

ACL Metering and Re-Marking ■ 79

ACL Port Mirroring ■ 80

Viewing ACL Statistics ■ 80

ACL Configuration Examples ■ 81

VLAN Maps ■ 82

Using Storm Control Filters ■ 84

Part 3: Switch Basics ■ 85

Chapter 6: VLANs ■ 87

- VLANs Overview ■ 88
- VLANs and Port VLAN ID Numbers ■ 88
 - VLAN Numbers ■ 88
 - PVID Numbers ■ 89
- VLAN Tagging ■ 90
- VLAN Topologies and Design Considerations ■ 94
 - VLAN Configuration Rules ■ 94
 - Multiple VLANs with Tagging Adapters ■ 95
 - VLAN Configuration Example ■ 97
- Private VLANs ■ 98
 - Private VLAN Ports ■ 98
 - Configuration Guidelines ■ 99
 - Configuration Example ■ 99

Chapter 7: Ports and Trunking ■ 101

- Trunking Overview ■ 102
 - Before You Configure Static Trunks ■ 103
 - Trunk Group Configuration Rules ■ 104
- Port Trunking Example ■ 104
- Configurable Trunk Hash Algorithm ■ 106
- Link Aggregation Control Protocol ■ 107

Chapter 8: Spanning Tree Protocols ■ 109

- Spanning Tree Protocol Modes ■ 109
- Global STP Control ■ 110
- STP/PVST+ Mode ■ 111
 - Port States ■ 111
 - Bridge Protocol Data Units ■ 112
 - Bridge Protocol Data Units Overview ■ 112
 - Determining the Path for Forwarding BPDUs ■ 112
 - Fast Uplink Convergence ■ 113
 - Port Fast Forwarding ■ 114
 - Simple STP Configuration ■ 115

- Per-VLAN Spanning Tree Groups ■ 117
 - Using Multiple STGs to Eliminate False Loops ■ 117
 - STP/PVST+ Defaults and Guidelines ■ 118
 - Adding a VLAN to a Spanning Tree Group ■ 118
 - Creating a VLAN ■ 119
 - Rules for VLAN Tagged Ports ■ 119
 - Adding and Removing Ports from STGs ■ 120
 - Switch-Centric Configuration ■ 121
- Configuring Multiple STGs ■ 122
- Rapid Spanning Tree Protocol ■ 124
 - Port State Changes ■ 124
 - RSTP Configuration Guidelines ■ 125
 - RSTP Configuration Example ■ 125
- Per-VLAN Rapid Spanning Tree Groups ■ 126
 - Configuring PVRST ■ 126
- Multiple Spanning Tree Protocol ■ 127
 - MSTP Region ■ 127
 - Common Internal Spanning Tree ■ 127
 - MSTP Configuration Guidelines ■ 128
 - MSTP Configuration Example 1 ■ 128
 - MSTP Configuration Example 2 ■ 129
- Port Type and Link Type ■ 131
 - Edge Port ■ 131
 - Link Type ■ 131

Chapter 9: Quality of Service ■ 133

- QoS Overview ■ 133
- Using ACL Filters ■ 135
 - Summary of ACL Actions ■ 135
 - ACL Metering and Re-Marking ■ 136
- Using DSCP Values to Provide QoS ■ 137
 - Differentiated Services Concepts ■ 137
 - Per Hop Behavior ■ 138
 - QoS Levels ■ 139
 - DSCP Re-Marking and Mapping ■ 140
 - DSCP Re-Marking Configuration Example ■ 141
- Using 802.1p Priority to Provide QoS ■ 142
- Queuing and Scheduling ■ 143

Part 4: Advanced Switching Features ■ 145

Chapter 10: Deployment Profiles ■ 147

Available Profiles ■ 147

Selecting Profiles ■ 149

Automatic Configuration Changes ■ 149

Chapter 11: Virtualization ■ 151

Chapter 12: Virtual NICs ■ 153

Defining Server Ports ■ 154

Enabling the vNIC Feature ■ 154

vNIC IDs ■ 155

 vNIC IDs on the Switch ■ 155

 vNIC Interface Names on the Server ■ 155

vNIC Bandwidth Metering ■ 156

vNIC Groups ■ 157

vNIC Teaming Failover ■ 159

vNIC Configuration Example ■ 161

 vNICs for iSCSI on Emulex Eraptor 2 ■ 164

Chapter 13: VMready ■ 165

VE Capacity ■ 166

Defining Server Ports ■ 166

VM Group Types ■ 166

Local VM Groups ■ 167

Distributed VM Groups ■ 169

 VM Profiles ■ 169

 Initializing a Distributed VM Group ■ 170

 Assigning Members ■ 170

 Synchronizing the Configuration ■ 171

 Removing Member VEs ■ 171

Virtualization Management Servers ■ 172

 Assigning a vCenter ■ 172

 vCenter Scans ■ 173

 Deleting the vCenter ■ 173

 Exporting Profiles ■ 174

 VMware Operational Commands ■ 174

Pre-Provisioning VEs ■ 175

- VLAN Maps ■ 176
- VM Policy Bandwidth Control ■ 178
 - VM Policy Bandwidth Control Commands ■ 178
 - Bandwidth Policies vs. Bandwidth Shaping ■ 179
- VMready Information Displays ■ 180
- VMready Configuration Example ■ 184

- Chapter 14: FCoE and CEE ■ 187**
- Fibre Channel over Ethernet ■ 189
 - The FCoE Topology ■ 189
 - FCoE Requirements ■ 191
- Converged Enhanced Ethernet ■ 192
 - Turning CEE On or Off ■ 192
 - Effects on Link Layer Discovery Protocol ■ 192
 - Effects on 802.1p Quality of Service ■ 193
 - Effects on Flow Control ■ 194
- FCoE Initialization Protocol Snooping ■ 195
 - Global FIP Snooping Settings ■ 195
 - FIP Snooping for Specific Ports ■ 195
 - Port FCF and ENode Detection ■ 196
 - FCoE Connection Timeout ■ 196
 - FCoE ACL Rules ■ 197
 - FCoE VLANs ■ 197
 - Viewing FIP Snooping Information ■ 198
 - Operational Commands ■ 198
 - FIP Snooping Configuration ■ 199
- Priority-Based Flow Control ■ 200
 - Global Configuration ■ 201
 - PFC Configuration Example ■ 202
- Enhanced Transmission Selection ■ 204
 - 802.1p Priority Values ■ 204
 - Priority Groups ■ 206
 - PGID ■ 206
 - Assigning Priority Values to a Priority Group ■ 207
 - Deleting a Priority Group ■ 207
 - Allocating Bandwidth ■ 208
 - Configuring ETS ■ 209
- Data Center Bridging Capability Exchange ■ 211
 - DCBX Settings ■ 211
 - Configuring DCBX ■ 214

Part 5: IP Routing ■ 217

Chapter 15: Basic IP Routing ■ 219

IP Routing Benefits ■ 219

Routing Between IP Subnets ■ 219

Example of Subnet Routing ■ 221

 Using VLANs to Segregate Broadcast Domains ■ 222

 Configuration Example ■ 222

ECMP Static Routes ■ 225

 OSPF Integration ■ 225

 ECMP Route Hashing ■ 225

 Configuring ECMP Static Routes ■ 226

Dynamic Host Configuration Protocol ■ 227

Chapter 16: Internet Protocol Version 6 ■ 229

IPv6 Limitations ■ 230

IPv6 Address Format ■ 231

IPv6 Address Types ■ 232

IPv6 Address Autoconfiguration ■ 233

IPv6 Interfaces ■ 234

Neighbor Discovery ■ 235

Supported Applications ■ 237

Configuration Guidelines ■ 239

IPv6 Configuration Examples ■ 240

Chapter 17: Routing Information Protocol ■ 243

Distance Vector Protocol ■ 243

Stability ■ 243

Routing Updates ■ 244

RIPv1 ■ 244

RIPv2 ■ 244

RIPv2 in RIPv1 Compatibility Mode ■ 245

RIP Features ■ 245

RIP Configuration Example ■ 247

Chapter 18: Internet Group Management Protocol ■ 249

- IGMP Snooping ■ 250
 - IGMP Groups ■ 251
 - FastLeave ■ 251
 - IGMPv3 Snooping ■ 251
 - IGMP Snooping Configuration Example ■ 253
 - Static Multicast Router ■ 254
- IGMP Querier ■ 255
- IGMP Filtering ■ 256

Chapter 19: Border Gateway Protocol ■ 259

- Internal Routing Versus External Routing ■ 260
- Forming BGP Peer Routers ■ 261
- What is a Route Map? ■ 261
 - Incoming and Outgoing Route Maps ■ 262
 - Precedence ■ 263
 - Configuration Overview ■ 263
- Aggregating Routes ■ 265
- Redistributing Routes ■ 265
- BGP Attributes ■ 266
- Selecting Route Paths in BGP ■ 267
- BGP Failover Configuration ■ 268
- Default Redistribution and Route Aggregation Example ■ 270

Chapter 20: OSPF ■ 273

- OSPFv2 Overview ■ 273
 - Types of OSPF Areas ■ 274
 - Types of OSPF Routing Devices ■ 275
 - Neighbors and Adjacencies ■ 276
 - The Link-State Database ■ 276
 - The Shortest Path First Tree ■ 277
 - Internal Versus External Routing ■ 277
- OSPFv2 Implementation in BLADEOS ■ 278
 - Configurable Parameters ■ 278
 - Defining Areas ■ 279
 - Assigning the Area Index ■ 279
 - Using the Area ID to Assign the OSPF Area Number ■ 280
 - Attaching an Area to a Network ■ 280

- Interface Cost ■ 281
- Electing the Designated Router and Backup ■ 281
- Summarizing Routes ■ 281
- Default Routes ■ 282
- Virtual Links ■ 283
- Router ID ■ 283
- Authentication ■ 284
 - Configuring Plain Text OSPF Passwords ■ 285
 - Configuring MD5 Authentication ■ 286
- Host Routes for Load Balancing ■ 287
- OSPF Features Not Supported in This Release ■ 287
- OSPFv2 Configuration Examples ■ 288
 - Example 1: Simple OSPF Domain ■ 289
 - Example 2: Virtual Links ■ 291
 - Example 3: Summarizing Routes ■ 295
 - Verifying OSPF Configuration ■ 297
- OSPFv3 Implementation in BLADEOS ■ 298
 - OSPFv3 Differences from OSPFv2 ■ 298
 - OSPFv3 Requires IPv6 Interfaces ■ 298
 - OSPFv3 Uses Independent Command Paths ■ 299
 - OSPFv3 Identifies Neighbors by Router ID ■ 299
 - Other Internal Improvements ■ 299
 - OSPFv3 Limitations ■ 300
 - OSPFv3 Configuration Example ■ 300

Chapter 21: Protocol Independent Multicast ■ 303

- PIM Overview ■ 303
- Supported PIM Modes and Features ■ 304
- Basic PIM Settings ■ 305
 - Globally Enabling or Disabling the PIM Feature ■ 305
 - Defining a PIM Network Component ■ 306
 - Defining an IP Interface for PIM Use ■ 306
 - PIM Neighbor Filters ■ 307
- Additional Sparse Mode Settings ■ 308
 - Specifying the Rendezvous Point ■ 308
 - Influencing the Designated Router Selection ■ 309
 - Specifying a Bootstrap Router ■ 309
- Using PIM with Other Features ■ 310
- PIM Configuration Examples ■ 311

Part 6: High Availability Fundamentals ■ 315

Chapter 22: Basic Redundancy ■ 317

Trunking for Link Redundancy ■ 317

Hot Links ■ 318

Forward Delay ■ 318

Preemption ■ 318

FDB Update ■ 318

Configuration Guidelines ■ 319

Configuring Hot Links ■ 319

Active MultiPath Protocol ■ 320

Health Checks ■ 321

FDB Flush ■ 321

Configuration Guidelines ■ 321

Configuration Example ■ 322

Chapter 23: Layer 2 Failover ■ 325

Monitoring Trunk Links ■ 325

Setting the Failover Limit ■ 326

Manually Monitoring Port Links ■ 327

L2 Failover with Other Features ■ 328

LACP ■ 328

Spanning Tree Protocol ■ 328

Configuration Guidelines ■ 328

Configuring Layer 2 Failover ■ 329

Chapter 24: Virtual Router Redundancy Protocol ■ 331

VRRP Overview ■ 332

VRRP Components ■ 332

VRRP Operation ■ 333

Selecting the Master VRRP Router ■ 334

Failover Methods ■ 334

Active-Active Redundancy ■ 335

Virtual Router Group ■ 335

BLADEOS Extensions to VRRP ■ 336

Virtual Router Deployment Considerations ■ 337

High Availability Configurations ■ 338

Part 7: Network Management ■ 343

Chapter 25: Link Layer Discovery Protocol ■ 345

- LLDP Overview ■ 345
- Enabling or Disabling LLDP ■ 346
 - Global LLDP Setting ■ 346
 - Transmit and Receive Control ■ 346
- LLDP Transmit Features ■ 347
 - Scheduled Interval ■ 347
 - Minimum Interval ■ 347
 - Time-to-Live for Transmitted Information ■ 348
 - Trap Notifications ■ 348
 - Changing the LLDP Transmit State ■ 349
 - Types of Information Transmitted ■ 349
- LLDP Receive Features ■ 351
 - Types of Information Received ■ 351
 - Viewing Remote Device Information ■ 351
 - Time-to-Live for Received Information ■ 352
- LLDP Example Configuration ■ 353

Chapter 26: Simple Network Management Protocol ■ 355

- SNMP Version 1 ■ 355
- SNMP Version 3 ■ 356
- Configuring SNMP Trap Hosts ■ 358
- SNMP MIBs ■ 361
- Switch Images and Configuration Files ■ 364
 - Loading a New Switch Image ■ 365
 - Loading a Saved Switch Configuration ■ 365
 - Saving the Switch Configuration ■ 366
 - Saving a Switch Dump ■ 366

Part 8: Monitoring ■ 367

Chapter 27: Remote Monitoring ■ 369

- RMON Overview ■ 369
- RMON Group 1—Statistics ■ 370
- RMON Group 2—History ■ 371
 - History MIB Object ID ■ 371
 - Configuring RMON History ■ 372
- RMON Group 3—Alarms ■ 373
 - Alarm MIB objects ■ 373
 - Configuring RMON Alarms ■ 373
- RMON Group 9—Events ■ 374

Chapter 28: sFLOW ■ 375

- sFlow Statistical Counters ■ 375
- sFlow Network Sampling ■ 375
- sFlow Example Configuration ■ 376

Chapter 29: Port Mirroring ■ 377

Part 9: Appendices ■ 379

Appendix A: Glossary ■ 381

Index ■ 383

Preface

The *BLADEOS 6.5.2 Application Guide* describes how to configure and use the BLADEOS 6.5 software on the RackSwitch G8124/G8124-E (collectively referred to as G8124 throughout this document). For documentation on installing the switch physically, see the *Installation Guide* for your G8124.

Who Should Use This Guide

This guide is intended for network installers and system administrators engaged in configuring and maintaining a network. The administrator should be familiar with Ethernet concepts, IP addressing, Spanning Tree Protocol, and SNMP configuration parameters.

What You'll Find in This Guide

This guide will help you plan, implement, and administer BLADEOS software. Where possible, each section provides feature overviews, usage examples, and configuration instructions. The following material is included:

Part 1: Getting Started

This material is intended to help those new to BLADEOS products with the basics of switch management. This part includes the following chapters:

- **Chapter 1, “Switch Administration,”** describes how to access the G8124 in order to configure the switch and view switch information and statistics. This chapter discusses a variety of manual administration interfaces, including local management via the switch console, and remote administration via Telnet, a web browser, or via SNMP.
- **Chapter 2, “Initial Setup,”** describes how to use the built-in Setup utility to perform first-time configuration of the switch.

Part 2: Securing the Switch

- [Chapter 3, “Securing Administration,”](#) describes methods for using Secure Shell for administration connections, and configuring end-user access control.
- [Chapter 4, “Authentication & Authorization Protocols,”](#) describes different secure administration for remote administrators. This includes using Remote Authentication Dial-in User Service (RADIUS), as well as TACACS+ and LDAP.
- [Chapter 5, “Access Control Lists,”](#) describes how to use filters to permit or deny specific types of traffic, based on a variety of source, destination, and packet attributes.

Part 3: Switch Basics

- [Chapter 6, “VLANs,”](#) describes how to configure Virtual Local Area Networks (VLANs) for creating separate network segments, including how to use VLAN tagging for devices that use multiple VLANs. This chapter also describes Protocol-based VLANs, and Private VLANs.
- [Chapter 7, “Ports and Trunking,”](#) describes how to group multiple physical ports together to aggregate the bandwidth between large-scale network devices.
- [Chapter 8, “Spanning Tree Protocols,”](#) discusses how Spanning Tree Protocol (STP) configures the network so that the switch selects the most efficient path when multiple paths exist. Also includes the Rapid Spanning Tree Protocol (RSTP), Per-VLAN Rapid Spanning Tree Plus (PVRST+), and Multiple Spanning Tree Protocol (MSTP) extensions to STP.
- [Chapter 9, “Quality of Service,”](#) discusses Quality of Service (QoS) features, including IP filtering using Access Control Lists (ACLs), Differentiated Services, and IEEE 802.1p priority values.

Part 4: Advanced Switching Features

- [Chapter 10, “Deployment Profiles,”](#) describes how the G8124 can operate in different modes for different deployment scenarios, adjusting switch capacity levels in order to optimize performance for different types of networks.
- [Chapter 11, “Virtualization,”](#) provides an overview of allocating resources based on the logical needs of the data center, rather than on the strict, physical nature of components.
- [Chapter 12, “Virtual NICs,”](#) discusses using virtual NIC (vNIC) technology to divide NICs into multiple logical, independent instances.
- [Chapter 13, “VMready,”](#) discusses virtual machine (VM) support on the G8124.
- [Chapter 14, “FCoE and CEE,”](#) discusses using various Converged Enhanced Ethernet (CEE) features such as Priority-based Flow Control (PFC), Enhanced Transmission Selection (ETS), and FIP Snooping for solutions such as Fibre Channel over Ethernet (FCoE).

Part 5: IP Routing

- [Chapter 15, “Basic IP Routing,”](#) describes how to configure the G8124 for IP routing using IP subnets, BOOTP, and DHCP Relay.
- [Chapter 16, “Internet Protocol Version 6,”](#) describes how to configure the G8124 for IPv6 host management.
- [Chapter 17, “Routing Information Protocol,”](#) describes how the BLADEOS software implements standard Routing Information Protocol (RIP) for exchanging TCP/IP route information with other routers.
- [Chapter 18, “Internet Group Management Protocol,”](#) describes how the BLADEOS software implements IGMP Snooping or IGMP Relay to conserve bandwidth in a multicast-switching environment.
- [Chapter 19, “Border Gateway Protocol,”](#) describes Border Gateway Protocol (BGP) concepts and features supported in BLADEOS.
- [Chapter 20, “OSPF,”](#) describes key Open Shortest Path First (OSPF) concepts and their implemented in BLADEOS, and provides examples of how to configure your switch for OSPF support.
- [Chapter 21, “Protocol Independent Multicast,”](#) describes how multicast routing can be efficiently accomplished using the Protocol Independent Multicast (PIM) feature.

Part 6: High Availability Fundamentals

- [Chapter 22, “Basic Redundancy,”](#) describes how the G8124 supports redundancy through trunking, Active Multipass Protocol (AMP), and hotlinks.
- [Chapter 23, “Layer 2 Failover,”](#) describes how the G8124 supports high-availability network topologies using Layer 2 Failover.
- [Chapter 24, “Virtual Router Redundancy Protocol,”](#) describes how the G8124 supports high-availability network topologies using Virtual Router Redundancy Protocol (VRRP).

Part 7: Network Management

- [Chapter 25, “Link Layer Discovery Protocol,”](#) describes how Link Layer Discovery Protocol helps neighboring network devices learn about each others’ ports and capabilities.
- [Chapter 26, “Simple Network Management Protocol,”](#) describes how to configure the switch for management through an SNMP client.

Part 8: Monitoring

- [Chapter 27, “Remote Monitoring,”](#) describes how to configure the RMON agent on the switch, so that the switch can exchange network monitoring data.
- [Chapter 28, “sFLOW,”](#) described how to use the embedded sFlow agent for sampling network traffic and providing continuous monitoring information to a central sFlow analyzer.
- [Chapter 29, “Port Mirroring,”](#) discusses tools how copy selected port traffic to a monitor port for network analysis.

Part 9: Appendices

- [Appendix A, “Glossary,”](#) describes common terms and concepts used throughout this guide.

Additional References

Additional information about installing and configuring the G8124 is available in the following guides:

- *RackSwitch G8124 Installation Guide*
- *BLADEOS 6.5 Command Reference*
- *BLADEOS 6.5 ISCLI Reference Guide*
- *BLADEOS 6.5 BBI Quick Guide*

Typographic Conventions

The following table describes the typographic styles used in this book.

Table 1 Typographic Conventions

Typeface or Symbol	Meaning	Example
ABC123	This type is used for names of commands, files, and directories used within the text. It also depicts on-screen computer output and prompts.	View the <code>readme.txt</code> file. <code>Main#</code>
ABC123	This bold type appears in command examples. It shows text that must be typed in exactly as shown.	<code>Main# sys</code>
<ABC123>	This italicized type appears in command examples as a parameter placeholder. Replace the indicated text with the appropriate real name or value when using the command. Do not type the brackets. This also shows book titles, special terms, or words to be emphasized.	To establish a Telnet session, enter: <code>host# telnet <IP address></code> Read your <i>User's Guide</i> thoroughly.
[]	Command items shown inside brackets are optional and can be used or excluded as the situation demands. Do not type the brackets.	<code>host# ls [-a]</code>
	The vertical bar () is used in command examples to separate choices where multiple options exist. Select only one of the listed options. Do not type the vertical bar.	<code>host# set left right</code>
AaBbCc123	This block type depicts menus, buttons, and other controls that appear in Web browsers and other graphical interfaces.	Click the Save button.

How to Get Help

If you need help, service, or technical assistance, call BLADE Network Technologies Technical Support:

US toll free calls: 1-800-414-5268

International calls: 1-408-834-7871

You also can visit our web site at the following address:

<http://www.bladenetwork.net>

Click the **Support** tab.

The warranty card received with your product provides details for contacting a customer support representative. If you are unable to locate this information, please contact your reseller. Before you call, prepare the following information:

- Serial number of the switch unit
- Software release version number
- Brief description of the problem and the steps you have already taken
- Technical support dump information (# **show tech-support**)

Part 1: Getting Started

CHAPTER 1

Switch Administration

Your RackSwitch G8124 (G8124) is ready to perform basic switching functions right out of the box. Some of the more advanced features, however, require some administrative configuration before they can be used effectively.

The extensive BLADEOS switching software included in the G8124 provides a variety of options for accessing the switch to perform configuration, and to view switch information and statistics.

This chapter discusses the various methods that can be used to administer the switch.

Administration Interfaces

BLADEOS provides a variety of user-interfaces for administration. These interfaces vary in character and in the methods used to access them: some are text-based, and some are graphical; some are available by default, and some require configuration; some can be accessed by local connection to the switch, and others are accessed remotely using various client applications. For example, administration can be performed using any of the following:

- A built-in, text-based command-line interface and menu system for access via serial-port connection or an optional Telnet or SSH session
- The built-in Browser-Based Interface (BBI) available using a standard web-browser
- SNMP support for access through network management software such as IBM Director or HP OpenView

The specific interface chosen for an administrative session depends on user preferences, as well as the switch configuration and the available client tools.

In all cases, administration requires that the switch hardware is properly installed and turned on. (see the *RackSwitch G8124 Installation Guide*).

Command Line Interface

The BLADEOS Command Line Interface (CLI) provides a simple, direct method for switch administration. Using a basic terminal, you are presented with an organized hierarchy of menus, each with logically-related sub-menus and commands. These allow you to view detailed information and statistics about the switch, and to perform any necessary configuration and switch software maintenance. For example:

```
[Main Menu]
  info    - Information Menu
  stats   - Statistics Menu
  cfg     - Configuration Menu
  oper    - Operations Command Menu
  boot    - Boot Options Menu
  maint   - Maintenance Menu
  diff    - Show pending config changes [global command]
  apply   - Apply pending config changes [global command]
  save    - Save updated config to FLASH [global command]
  revert  - Revert pending or applied changes [global command]
  exit    - Exit [global command, always available]

>> #
```

You can establish a connection to the CLI in any of the following ways:

- Serial connection via the serial port on the G8124 (this option is always available)
- Telnet connection over the network
- SSH connection over the network

Browser-Based Interface

The Browser-based Interface (BBI) provides access to the common configuration, management and operation features of the G8124 through your Web browser.

For more information, refer to the *BBI Quick Guide*.

Establishing a Connection

The factory default settings permit initial switch administration through *only* the built-in serial port. All other forms of access require additional switch configuration before they can be used.

Remote access using the network requires the accessing terminal to have a valid, routable connection to the switch interface. The client IP address may be configured manually, or an IPv4 address can be provided automatically through the switch using a service such as DHCP or BOOTP relay (see “[BOOTP/DHCP Client IP Address Services](#)” on page 36), or an IPv6 address can be obtained using IPv6 stateless address configuration.

Note – Throughout this manual, *IP address* is used in places where either an IPv4 or IPv6 address is allowed. IPv4 addresses are entered in dotted-decimal notation (for example, 10.10.10.1), while IPv6 addresses are entered in hexadecimal notation (for example, 2001:db8:85a3::8a2e:370:7334). In places where only one type of address is allowed, *IPv4 address* or *IPv6 address* is specified.

Using the Switch Management Ports

To manage the switch through the management ports, you must configure an IP interface for each management interface. Configure the following IPv4 parameters:

- IP address/mask
 - Default gateway address
1. Log on to the switch.
 2. Enter Global Configuration mode.

```
RS G8124> enable
RS G8124# configure terminal
```

3. Configure a management IP address.

The switch reserves four management interfaces:

- Using IPv4:

```
RS G8124(config)# interface ip [127|128]
RS G8124(config-ip-if)# ip address <management interface IPv4 address>
RS G8124(config-ip-if)# ip netmask <IPv4 subnet mask>
RS G8124(config-ip-if)# enable
RS G8124(config-ip-if)# exit
```

- IF 127 supports IPv4 management port A and uses IPv4 default gateway 3.
- IF 128 supports IPv4 management port B and uses IPv4 default gateway 4.

- Using IPv6:

```
RS G8124(config)# interface ip [125|126]
RS G8124(config-ip-if)# ipv6 address <management interface IPv6 address>
RS G8124(config-ip-if)# ipv6 prefixlen <IPv6 prefix length>
RS G8124(config-ip-if)# enable
RS G8124(config-ip-if)# exit
```

- IF 125 supports IPv6 management port A and uses IPv6 default gateway 3.
- IF 126 supports IPv6 management port B and uses IPv6 default gateway 4.

4. Configure the appropriate default gateway.

- If using IPv4, IPv4 gateway 3 is required for IF 127, and IPv4 gateway 4 is required for IF 128.

```
RS G8124(config)# ip gateway [3|4] address <default gateway IPv4 address>
RS G8124(config)# ip gateway [3|4] enable
```

- If using IPv6, IPv6 gateway 3 is required for IF 125, and IPv4 gateway 4 is required for IF 126.

```
RS G8124(config)# ip gateway6 [3|4] address <default gateway IPv6 address>
RS G8124(config)# ip gateway6 [3|4] enable
```

Once you configure a management IP address for your switch, you can connect to a management port and use the Telnet program from an external management station to access and control the switch. The management port provides *out-of-band* management.

Using the Switch Data Ports

You also can configure *in-band* management through any of the switch data ports. To allow in-band management, use the following procedure:

1. Log on to the switch.
2. Enter IP interface mode.

```
RS G8124> enable
RS G8124# configure terminal
RS G8124(config)# interface ip <IP interface number>
```

Note – Interface 125 through 128 are reserved for out-of-band management interfaces (see [“Using the Switch Management Ports” on page 27](#)).

3. Configure the management IP interface/mask.

- Using IPv4:

```
RS G8124(config-ip-if)# ip address <management interface IPv4 address>
RS G8124(config-ip-if)# ip netmask <IPv4 subnet mask>
```

- Using IPv6:

```
RS G8124(config-ip-if)# ipv6 address <management interface IPv6 address>
RS G8124(config-ip-if)# ipv6 prefixlen <IPv6 prefix length>
```

4. Configure the VLAN, and enable the interface.

```
RS G8124(config-ip-if)# vlan 1
RS G8124(config-ip-if)# enable
RS G8124(config-ip-if)# exit
```

5. Configure the default gateway.

- If using IPv4:

```
RS G8124(config)# ip gateway <gateway number> address <IPv4 address>
RS G8124(config)# ip gateway <gateway number> enable
```

- If using IPv6:

```
RS G8124(config)# ip gateway6 <gateway number> address <IPv6 address>
RS G8124(config)# ip gateway6 <gateway number> enable
```

Note – IPv4 gateway 1 and 2, and IPv6 gateway 1, are used for in-band data networks. IPv4 and IPv6 gateways 3 and 4 are reserved for out-of-band management ports (see [“Using the Switch Management Ports” on page 27](#)).

Once you configure the IP address and you have an existing network connection, you can use the Telnet program from an external management station to access and control the switch. Once the default gateway is enabled, the management station and your switch do not need to be on the same IP subnet.

The G8124 supports a menu-based command-line interface (CLI) as well as an industry standard command-line interface (ISCLI) that you can use to configure and control the switch over the network using the Telnet program. You can use the CLI or ISCLI to perform many basic network management functions. In addition, you can configure the switch for management using an SNMP-based network management system or a Web browser.

For more information, see the documents listed in [“Additional References” on page 20](#).

Using Telnet

A Telnet connection offers the convenience of accessing the switch from a workstation connected to the network. Telnet access provides the same options for user and administrator access as those available through the console port.

By default, Telnet access is enabled. Use the following commands (available on the console only) to disable or re-enable Telnet access:

```
RS G8124(config)# [no] access telnet enable
```

Once the switch is configured with an IP address and gateway, you can use Telnet to access switch administration from any workstation connected to the management network.

To establish a Telnet connection with the switch, run the Telnet program on your workstation and issue the following Telnet command:

```
telnet <switch IPv4 or IPv6 address>
```

You will then be prompted to enter a password as explained [“Switch Login Levels” on page 38](#).

Using Secure Shell

Although a remote network administrator can manage the configuration of a G8124 via Telnet, this method does not provide a secure connection. The Secure Shell (SSH) protocol enables you to securely log into another device over a network to execute commands remotely. As a secure alternative to using Telnet to manage switch configuration, SSH ensures that all data sent over the network is encrypted and secure.

The switch can do only one session of key/cipher generation at a time. Thus, a SSH/SCP client will not be able to login if the switch is doing key generation at that time. Similarly, the system will fail to do the key generation if a SSH/SCP client is logging in at that time.

The supported SSH encryption and authentication methods are listed below.

- Server Host Authentication: Client RSA-authenticates the switch when starting each connection
- Key Exchange: RSA
- Encryption: 3DES-CBC, DES
- User Authentication: Local password authentication, RADIUS, TACACS+

The following SSH clients have been tested:

- OpenSSH_5.1p1 Debian-3ubuntu1
- SecureCRT 5.0 (Van Dyke Technologies, Inc.)
- Putty beta 0.60

Note – The BLADEOS implementation of SSH supports both versions 1.5 and 2.0 and supports SSH client version 1.5 - 2.x.

Using SSH to Access the Switch

By default, the SSH feature is disabled. For information on enabling and using SSH for switch access, see [“Secure Shell and Secure Copy” on page 65](#).

Once the IP parameters are configured and the SSH service is enabled, you can access the command line interface using an SSH connection.

To establish an SSH connection with the switch, run the SSH program on your workstation by issuing the SSH command, followed by the switch IPv4 or IPv6 address:

```
# ssh <switch IP address>
```

If SecurID authentication is required, use the following command:

```
# ssh -1 ace <switch IP address>
```

You will then be prompted to enter a password as explained [“Switch Login Levels” on page 38](#).

Using a Web Browser

The switch provides a Browser-Based Interface (BBI) for accessing the common configuration, management and operation features of the G8124 through your Web browser.

By default, BBI access via HTTP is enabled on the switch.

You can also access the BBI directly from an open Web browser window. Enter the URL using the IP address of the switch interface (for example, `http://<IPv4 or IPv6 address>`).

Configuring HTTP Access to the BBI

By default, BBI access via HTTP is enabled on the switch.

To disable or re-enable HTTP access to the switch BBI, use the following commands:

```
RS G8124(config)# access http enable           (Enable HTTP access)
- or -
RS G8124(config)# no access http enable        (Disable HTTP access)
```

The default HTTP web server port to access the BBI is port 80. However, you can change the default Web server port with the following command:

```
RS G8124(config)# access http port <TCP port number>
```

To access the BBI from a workstation, open a Web browser window and type in the URL using the IP address of the switch interface (for example, `http://<IPv4 or IPv6 address>`).

Configuring HTTPS Access to the BBI

The BBI can also be accessed via a secure HTTPS connection over management and data ports.

1. Enable HTTPS.

By default, BBI access via HTTPS is disabled on the switch. To enable BBI Access via HTTPS, use the following command:

```
RS G8124(config)# access https enable
```

2. Set the HTTPS server port number (optional).

To change the HTTPS Web server port number from the default port 443, use the following command:

```
RS G8124(config)# access https port <x>
```


3. Generate the HTTPS certificate.

Accessing the BBI via HTTPS requires that you generate a certificate to be used during the key exchange. A default certificate is created the first time HTTPS is enabled, but you can create a new certificate defining the information you want to be used in the various fields.

```
RS G8124(config)# access https generate-certificate
Country Name (2 letter code) []: <country code>
State or Province Name (full name) []: <state>
Locality Name (eg, city) []: <city>
Organization Name (eg, company) []: <company>
Organizational Unit Name (eg, section) []: <org. unit>
Common Name (eg, YOUR name) []: <name>
Email (eg, email address) []: <email address>
Confirm generating certificate? [y/n]: y
Generating certificate. Please wait (approx 30 seconds)
restarting SSL agent
```

4. Save the HTTPS certificate.

The certificate is valid only until the switch is rebooted. In order to save the certificate so that it is retained beyond reboot or power cycles, use the following command:

```
RS G8124(config)# access https save-certificate
```

When a client (e.g. web browser) connects to the switch, the client is asked to accept the certificate and verify that the fields match what is expected. Once BBI access is granted to the client, the BBI can be used as described in the *BLADEOS 6.5 BBI Quick Guide*.

BBI Summary

The BBI is organized at a high level as follows:

Context buttons—These buttons allow you to select the type of action you wish to perform. The *Configuration* button provides access to the configuration elements for the entire switch. The *Statistics* button provides access to the switch statistics and state information. The *Dashboard* button allows you to display the settings and operating status of a variety of switch features.

Navigation Window—This window provides a menu list of switch features and functions:

- **System**—this folder provides access to the configuration elements for the entire switch.
- **Switch Ports**—Configure each of the physical ports on the switch.
- **Port-Based Port Mirroring**—Configure port mirroring behavior.
- **Layer 2**—Configure Layer 2 features for the switch.
- **RMON Menu**—Configure Remote Monitoring features for the switch.
- **Layer 3**—Configure Layer 3 features for the switch.
- **QoS**—Configure Quality of Service features for the switch.
- **Access Control**—Configure Access Control Lists to filter IP packets.
- **CEE** – Configure Converged Enhanced Ethernet (CEE).
- **FCoE** – Configure FibreChannel over Ethernet (FCoE).
- **Virtualization** – Configure vNICs and VMready for virtual machine (VM) support.

For information on using the BBI, refer to the *BLADEOS 6.5 BBI Quick Guide*.

Using Simple Network Management Protocol

BLADEOS provides Simple Network Management Protocol (SNMP) version 1, version 2, and version 3 support for access through any network management software, such as IBM Director or HP-OpenView.

Note – SNMP read and write functions are enabled by default. For best security practices, if SNMP is not needed for your network, it is recommended that you disable these functions prior to connecting the switch to the network.

To access the SNMP agent on the G8124, the read and write community strings on the SNMP manager should be configured to match those on the switch. The default read community string on the switch is `public` and the default write community string is `private`.

The read and write community strings on the switch can be changed using the following commands:

```
RS G8124(config)# snmp-server read-community <1-32 characters>
-and-
RS G8124(config)# snmp-server write-community <1-32 characters>
```

The SNMP manager should be able to reach any one of the IP interfaces on the switch.

For the SNMP manager to receive the SNMPv1 traps sent out by the SNMP agent on the switch, configure the trap host on the switch with the following commands:

```
RS G8124(config)# snmp-server trap-src-if <trap source IP interface>
RS G8124(config)# snmp-server host <IPv4 address> <trap host community string>
```

For more information on SNMP usage and configuration, see [“Simple Network Management Protocol” on page 355](#).

BOOTP/DHCP Client IP Address Services

For remote switch administration, the client terminal device must have a valid IP address on the same network as a switch interface. The IP address on the client device may be configured manually, or obtained automatically using IPv6 stateless address configuration, or an IPv4 address may be obtained automatically via BOOTP or DHCP relay as discussed below.

The G8124 can function as a relay agent for Bootstrap Protocol (BOOTP) or DHCP. This allows clients to be assigned an IPv4 address for a finite lease period, reassigning freed addresses later to other clients.

Acting as a relay agent, the switch can forward a client's IPv4 address request to up to four BOOTP/DHCP servers. In addition to the four global BOOTP/DHCP servers, up to four domain-specific BOOTP/DHCP servers can be configured for each of up to 10 VLANs.

When a switch receives a BOOTP/DHCP request from a client seeking an IPv4 address, the switch acts as a proxy for the client. The request is forwarded as a UDP Unicast MAC layer message to the BOOTP/DHCP servers configured for the client's VLAN, or to the global BOOTP/DHCP servers if no domain-specific BOOTP/DHCP servers are configured for the client's VLAN. The servers respond to the switch with a Unicast reply that contains the IPv4 default gateway and the IPv4 address for the client. The switch then forwards this reply back to the client.

DHCP is described in RFC 2131, and the DHCP relay agent supported on the G8124 is described in RFC 1542. DHCP uses UDP as its transport protocol. The client sends messages to the server on port 67 and the server sends messages to the client on port 68.

BOOTP and DHCP relay are collectively configured using the BOOTP commands and menus on the G8124.

Global BOOTP Relay Agent Configuration

To enable the G8124 to be a BOOTP (or DHCP) forwarder, enable the BOOTP relay feature, configure up to four global BOOTP server IPv4 addresses on the switch, and enable BOOTP relay on the interface(s) on which the client requests are expected.

Generally, you should configure BOOTP for the switch IP interface that is closest to the client, so that the BOOTP server knows from which IPv4 subnet the newly allocated IPv4 address should come.

In the G8124 implementation, there are no primary or secondary BOOTP servers. The client request is forwarded to all the global BOOTP servers configured on the switch (if no domain-specific servers are configured). The use of multiple servers provide failover redundancy. However, no health checking is supported.

1. Use the following commands to configure global BOOTP relay servers:

```
RS G8124(config)# ip bootp-relay enable
RS G8124(config)# ip bootp-relay server <1-4> address <IPv4 address>
```

2. Enable BOOTP relay on the appropriate IP interfaces.

BOOTP/DHCP Relay functionality may be assigned on a per-interface basis using the following commands:

```
RS G8124(config)# interface ip <interface number>
RS G8124(config-ip-if)# relay
RS G8124(config-ip-if)# exit
```

Domain-Specific BOOTP Relay Agent Configuration

Use the following commands to configure up to four domain-specific BOOTP relay agents for each of up to 10 VLANs:

```
RS G8124(config)# ip bootp-relay bcast-domain <1-10> vlan <VLAN number>
RS G8124(config)# ip bootp-relay bcast-domain <1-10> server <1-4>
    address <IPv4 address>
RS G8124(config)# ip bootp-relay bcast-domain <1-10> enable
```

As with global relay agent servers, domain-specific BOOTP/DHCP functionality may be assigned on a per-interface basis (see [Step 2](#) in [page 37](#)).

Switch Login Levels

To enable better switch management and user accountability, three levels or *classes* of user access have been implemented on the G8124. Levels of access to CLI, Web management functions, and screens increase as needed to perform various switch management tasks. Conceptually, access classes are defined as follows:

- User interaction with the switch is completely passive—nothing can be changed on the G8124. Users may display information that has no security or privacy implications, such as switch statistics and current operational state information.
- Operators can only effect temporary changes on the G8124. These changes will be lost when the switch is rebooted/reset. Operators have access to the switch management features used for daily switch operations. Because any changes an operator makes are undone by a reset of the switch, operators cannot severely impact switch operation.
- Administrators are the only ones that may make permanent changes to the switch configuration—changes that are persistent across a reboot/reset of the switch. Administrators can access switch functions to configure and troubleshoot problems on the G8124. Because administrators can also make temporary (operator-level) changes as well, they must be aware of the interactions between temporary and permanent changes.

Access to switch functions is controlled through the use of unique surnames and passwords. Once you are connected to the switch via local Telnet, remote Telnet, or SSH, you are prompted to enter a password. The default user names/password for each access level are listed in the following table.

Note – It is recommended that you change default switch passwords after initial configuration and as regularly as required under your network security policies. For more information, see [“Changing the Switch Passwords” on page 61](#).

Table 2 User Access Levels

User Account	Password	Description and Tasks Performed
user	user	The User has no direct responsibility for switch management. He or she can view all switch status information and statistics, but cannot make any configuration changes to the switch.
oper	oper	The Operator manages all functions of the switch. The Operator can reset ports, except the management ports.
admin	admin	The superuser Administrator has complete access to all menus, information, and configuration commands on the G8124, including the ability to change both the user and administrator passwords.

Note – With the exception of the “admin” user, access to each user level can be disabled by setting the password to an empty value.

Setup vs. the Command Line

Once the administrator password is verified, you are given complete access to the switch. If the switch is still set to its factory default configuration, the system will ask whether you wish to run Setup (see [“Initial Setup” on page 41](#)”), a utility designed to help you through the first-time configuration process. If the switch has already been configured, the command line is displayed instead.

CHAPTER 2

Initial Setup

To help with the initial process of configuring your switch, the BLADEOS software includes a Setup utility. The Setup utility prompts you step-by-step to enter all the necessary information for basic configuration of the switch.

Whenever you log in as the system administrator under the factory default configuration, you are asked whether you wish to run the Setup utility. Setup can also be activated manually from the command line interface any time after login.

Information Needed for Setup

Setup requests the following information:

- Basic system information
 - Date & time
 - Whether to use Spanning Tree Group or not
- Optional configuration for each port
 - Speed, duplex, flow control, and negotiation mode (as appropriate)
 - Whether to use VLAN tagging or not (as appropriate)
- Optional configuration for each VLAN
 - Name of VLAN
 - Which ports are included in the VLAN
- Optional configuration of IP parameters
 - IP address/mask and VLAN for each IP interface
 - IP addresses for default gateway
 - Whether IP forwarding is enabled or not

Default Setup Options

The Setup prompt appears automatically whenever you login as the system administrator under the factory default settings.

1. Connect to the switch.

After connecting, the login prompt will appear as shown below.

```
Enter Password:
```

2. Enter **admin** as the default administrator password.

If the factory default configuration is detected, the system prompts:

```
RackSwitch G8124
18:44:05 Wed Jan 3, 2009

The switch is booted with factory default configuration.
To ease the configuration of the switch, a "Set Up" facility which
will prompt you with those configuration items that are essential to
the operation of the switch is provided.
Would you like to run "Set Up" to configure the switch? [y/n]:
```

Note – If the default admin login is unsuccessful, or if the administrator Main Menu appears instead, the system configuration has probably been changed from the factory default settings. If desired, return the switch to its factory default configuration.

3. Enter **y** to begin the initial configuration of the switch, or **n** to bypass the Setup facility.

Stopping and Restarting Setup Manually

Stopping Setup

To abort the Setup utility, press <Ctrl-C> during any Setup question. When you abort Setup, the system will prompt:

```
Would you like to run from top again? [y/n]
```

Enter **n** to abort Setup, or **y** to restart the Setup program at the beginning.

Restarting Setup

You can restart the Setup utility manually at any time by entering the following command at the administrator prompt:

```
# /cFg/setup
```

Setup Part 1: Basic System Configuration

When Setup is started, the system prompts:

```
"Set Up" will walk you through the configuration of
System Date and Time, Spanning Tree, Port Speed/Mode,
VLANs, and IP interfaces. [type Ctrl-C to abort "Set Up"]
```

1. Enter **y** if you will be configuring VLANs. Otherwise enter **n**.

If you decide not to configure VLANs during this session, you can configure them later using the configuration menus, or by restarting the Setup facility. For more information on configuring VLANs, see the *BLADEOS Application Guide*.

Next, the Setup utility prompts you to input basic system information.

2. Enter the year of the current date at the prompt:

```
System Date:
Enter year [2009]:
```

Enter the four-digits that represent the year. To keep the current year, press <Enter>.

3. Enter the month of the current system date at the prompt:

```
System Date:
Enter month [1]:
```

Enter the month as a number from 1 to 12. To keep the current month, press <Enter>.

4. Enter the day of the current date at the prompt:

```
Enter day [3]:
```

Enter the date as a number from 1 to 31. To keep the current day, press <Enter>.

The system displays the date and time settings:

```
System clock set to 18:55:36 Wed Jan 28, 2009.
```

5. Enter the hour of the current system time at the prompt:

```
System Time:
Enter hour in 24-hour format [18]:
```

Enter the hour as a number from 00 to 23. To keep the current hour, press <Enter>.

6. Enter the minute of the current time at the prompt:

```
Enter minutes [55]:
```

Enter the minute as a number from 00 to 59. To keep the current minute, press <Enter>.

7. Enter the seconds of the current time at the prompt:

```
Enter seconds [37]:
```

Enter the seconds as a number from 00 to 59. To keep the current second, press <Enter>. The system then displays the date and time settings:

```
System clock set to 8:55:36 Wed Jan 28, 2009.
```

8. Turn Spanning Tree Protocol on or off at the prompt:

```
Spanning Tree:
Current Spanning Tree Group 1 setting: ON
Turn Spanning Tree Group 1 OFF? [y/n]
```

Enter **y** to turn off Spanning Tree, or enter **n** to leave Spanning Tree on.

Setup Part 2: Port Configuration

Note – When configuring port options for your switch, some prompts and options may be different.

1. Select whether you will configure VLANs and VLAN tagging for ports:

```
Port Config:
Will you configure VLANs and VLAN tagging for ports? [y/n]
```

If you wish to change settings for VLANs, enter **y**, or enter **n** to skip VLAN configuration.

Note – The sample screens that appear in this document might differ slightly from the screens displayed by your system. Screen content varies based on the firmware versions and options that are installed.

2. Select the port to configure, or skip port configuration at the prompt:

If you wish to change settings for individual ports, enter the number of the port you wish to configure. To skip port configuration, press <Enter> without specifying any port and go to [“Setup Part 3: VLANs” on page 46](#).

3. Configure Gigabit Ethernet port flow parameters.

The system prompts:

```
Gig Link Configuration:
Port Flow Control:
Current Port EXT1 flow control setting:      both
Enter new value ["rx"/"tx"/"both"/"none"]:
```

Enter **rx** to enable receive flow control, **tx** for transmit flow control, **both** to enable both, or **none** to turn flow control off for the port. To keep the current setting, press <Enter>.

4. Configure Gigabit Ethernet port autonegotiation mode.

If you selected a port that has a Gigabit Ethernet connector, the system prompts:

```
Port Auto Negotiation:
Current Port EXT1 autonegotiation:          on
Enter new value ["on"/"off"]:
```

Enter **on** to enable port autonegotiation, **off** to disable it, or press <Enter> to keep the current setting.

5. If configuring VLANs, enable or disable VLAN tagging for the port.

If you have selected to configure VLANs back in Part 1, the system prompts:

```
Port VLAN tagging config (tagged port can be a member of multiple VLANs)
Current VLAN tag support:                  disabled
Enter new VLAN tag support [d/e]:
```

Enter **d** to disable VLAN tagging for the port or enter **e** to enable VLAN tagging for the port. To keep the current setting, press <Enter>.

6. The system prompts you to configure the next port:

```
Enter port (INT1-14, MGT1-2, EXT1-24):
```

When you are through configuring ports, press <Enter> without specifying any port. Otherwise, repeat the steps in this section.

Setup Part 3: VLANs

If you chose to skip VLANs configuration back in Part 2, skip to [“Setup Part 4: IP Configuration” on page 47](#).

1. Select the VLAN to configure, or skip VLAN configuration at the prompt:

```
VLAN Config:
Enter VLAN number from 2 to 4094, NULL at end:
```

If you wish to change settings for individual VLANs, enter the number of the VLAN you wish to configure. To skip VLAN configuration, press <Enter> without typing a VLAN number and go to [“Setup Part 4: IP Configuration” on page 47](#).

2. Enter the new VLAN name at the prompt:

```
Current VLAN name: VLAN 2
Enter new VLAN name:
```

Entering a new VLAN name is optional. To use the pending new VLAN name, press <Enter>.

3. Enter the VLAN port numbers:

```
Define Ports in VLAN:
Current VLAN 2:  empty
Enter ports one per line, NULL at end:
```

Enter each port, by port number or port alias, and confirm placement of the port into this VLAN. When you are finished adding ports to this VLAN, press <Enter> without specifying any port.

4. Configure Spanning Tree Group membership for the VLAN:

```
Spanning Tree Group membership:
Enter new Spanning Tree Group index [1-127]:
```

5. The system prompts you to configure the next VLAN:

```
VLAN Config:
Enter VLAN number from 2 to 4094, NULL at end:
```

Repeat the steps in this section until all VLANs have been configured. When all VLANs have been configured, press <Enter> without specifying any VLAN.

Setup Part 4: IP Configuration

The system prompts for IPv4 parameters.

Although the switch supports both IPv4 and IPv6 networks, the Setup utility permits only IPv4 configuration. For IPv6 configuration, see [“Internet Protocol Version 6” on page 229](#).

IP Interfaces

IP interfaces are used for defining the networks to which the switch belongs.

Up to 128 IP interfaces can be configured on the RackSwitch G8124 (G8124). The IP address assigned to each IP interface provides the switch with an IP presence on your network. No two IP interfaces can be on the same IP network. The interfaces can be used for connecting to the switch for remote configuration, and for routing between subnets and VLANs (if used).

Note – Two interfaces are reserved for IPv4 management: interface 127 (MGTA) and 128 (MGTB). If the IPv6 feature is enabled, two additional interfaces are reserved to IPv6 management: interface 125 (MGTA) and 126 (MGTB).

1. Select the IP interface to configure, or skip interface configuration at the prompt:

```
IP Config:

IP interfaces:
Enter interface number: (1-128)
```

If you wish to configure individual IP interfaces, enter the number of the IP interface you wish to configure. To skip IP interface configuration, press <Enter> without typing an interface number and go to [“Default Gateways” on page 49](#).

2. For the specified IP interface, enter the IP address in IPv4 dotted decimal notation:

```
Current IP address:      0.0.0.0
Enter new IP address:
```

To keep the current setting, press <Enter>.

3. At the prompt, enter the IPv4 subnet mask in dotted decimal notation:

```
Current subnet mask:      0.0.0.0
Enter new subnet mask:
```

To keep the current setting, press <Enter>.

4. If configuring VLANs, specify a VLAN for the interface.

This prompt appears if you selected to configure VLANs back in Part 1:

```
Current VLAN:      1
Enter new VLAN [1-4094]:
```

Enter the number for the VLAN to which the interface belongs, or press <Enter> without specifying a VLAN number to accept the current setting.

5. At the prompt, enter **y** to enable the IP interface, or **n** to leave it disabled:

```
Enable IP interface? [y/n]
```

6. The system prompts you to configure another interface:

```
Enter interface number: (1-128)
```

Repeat the steps in this section until all IP interfaces have been configured. When all interfaces have been configured, press <Enter> without specifying any interface number.

Default Gateways

1. At the prompt, select an IP default gateway for configuration, or skip default gateway configuration:

```
IP default gateways:
Enter default gateway number: (1-4)
```

Enter the number for the IP default gateway to be configured. To skip default gateway configuration, press <Enter> without typing a gateway number and go to [“IP Routing” on page 49](#).

2. At the prompt, enter the IPv4 address for the selected default gateway:

```
Current IP address:      0.0.0.0
Enter new IP address:
```

Enter the IPv4 address in dotted decimal notation, or press <Enter> without specifying an address to accept the current setting.

3. At the prompt, enter **y** to enable the default gateway, or **n** to leave it disabled:

```
Enable default gateway? [y/n]
```

4. The system prompts you to configure another default gateway:

```
Enter default gateway number: (1-4)
```

Repeat the steps in this section until all default gateways have been configured. When all default gateways have been configured, press <Enter> without specifying any number.

IP Routing

When IP interfaces are configured for the various IP subnets attached to your switch, IP routing between them can be performed entirely within the switch. This eliminates the need to send inter-subnet communication to an external router device. Routing on more complex networks, where subnets may not have a direct presence on the G8124, can be accomplished through configuring static routes or by letting the switch learn routes dynamically.

This part of the Setup program prompts you to configure the various routing parameters.

At the prompt, enable or disable forwarding for IP Routing:

```
Enable IP forwarding? [y/n]
```

Enter **y** to enable IP forwarding. To disable IP forwarding, enter **n**. To keep the current setting, press <Enter>.

Setup Part 5: Final Steps

1. When prompted, decide whether to restart Setup or continue:

```
Would you like to run from top again? [y/n]
```

Enter **y** to restart the Setup utility from the beginning, or **n** to continue.

2. When prompted, decide whether you wish to review the configuration changes:

```
Review the changes made? [y/n]
```

Enter **y** to review the changes made during this session of the Setup utility. Enter **n** to continue without reviewing the changes. We recommend that you review the changes.

3. Next, decide whether to apply the changes at the prompt:

```
Apply the changes? [y/n]
```

Enter **y** to apply the changes, or **n** to continue without applying. Changes are normally applied.

4. At the prompt, decide whether to make the changes permanent:

```
Save changes to flash? [y/n]
```

Enter **y** to save the changes to flash. Enter **n** to continue without saving the changes. Changes are normally saved at this point.

5. If you do not apply or save the changes, the system prompts whether to abort them:

```
Abort all changes? [y/n]
```

Enter **y** to discard the changes. Enter **n** to return to the “Apply the changes?” prompt.

Note – After initial configuration is complete, it is recommended that you change the default passwords as shown in [“Changing the Switch Passwords” on page 61](#).

Optional Setup for Telnet Support

Note – This step is optional. Perform this procedure only if you are planning on connecting to the G8124 through a remote Telnet connection.

1. Telnet is enabled by default. To change the setting, use the following command:

```
>> # /cfg/sys/access/tnet
```

2. Apply and save the configuration(s).

```
>> System# apply  
>> System# save
```


Part 2: Securing the Switch

CHAPTER 3

Securing Administration

Secure switch management is needed for environments that perform significant management functions across the Internet. Common functions for secured management are described in the following sections:

- “Secure Shell and Secure Copy” on page 55
- “End User Access Control” on page 62

Note – SNMP read and write functions are enabled by default. For best security practices, if SNMP is not needed for your network, it is recommended that you disable these functions prior to connecting the switch to the network (see “Using Simple Network Management Protocol” on page 35).

Secure Shell and Secure Copy

Because using Telnet does not provide a secure connection for managing a G8124, Secure Shell (SSH) and Secure Copy (SCP) features have been included for G8124 management. SSH and SCP use secure tunnels to encrypt and secure messages between a remote administrator and the switch.

SSH is a protocol that enables remote administrators to log securely into the G8124 over a network to execute management commands.

SCP is typically used to copy files securely from one machine to another. SCP uses SSH for encryption of data on the network. On a G8124, SCP is used to download and upload the switch configuration via secure channels.

Although SSH and SCP are disabled by default, enabling and using these features provides the following benefits:

- Identifying the administrator using Name/Password
- Authentication of remote administrators
- Authorization of remote administrators
- Determining the permitted actions and customizing service for individual administrators
- Encryption of management messages
- Encrypting messages between the remote administrator and switch
- Secure copy support

The BLADEOS implementation of SSH supports both versions 1.5 and 2.0 and supports SSH clients version 1.5 - 2.x. The following SSH clients have been tested:

- SSH 1.2.23 and SSH 1.2.27 for Linux (freeware)
- SecureCRT 3.0.2 and SecureCRT 3.0.3 for Windows NT (Van Dyke Technologies, Inc.)
- F-Secure SSH 1.1 for Windows (Data Fellows)
- Putty SSH
- Cygwin OpenSSH
- Mac X OpenSSH
- Solaris 8 OpenSSH
- AxeSSH SSHPro
- SSH Communications Vandyke SSH A
- F-Secure

Configuring SSH/SCP Features on the Switch

SSH and SCP features are disabled by default. To change the SSH/SCP settings, using the following procedures.

To Enable or Disable the SSH Feature

Begin a Telnet session from the console port and enter the following commands:

```
RS G8124(config)# [no] ssh enable
```

To Enable or Disable SCP Apply and Save

Enter the following commands from the switch CLI to enable the SCP `putcfg_apply` and `putcfg_apply_save` commands:

```
RS G8124(config)# [no] ssh scp-enable
```


Configuring the SCP Administrator Password

To configure the SCP-only administrator password, enter the following command (the default password is admin):

```
RS G8124(config)# [no] ssh scp-password
Changing SCP-only Administrator password; validation required...
Enter current administrator password: <password>
Enter new SCP-only administrator password: <new password>
Re-enter new SCP-only administrator password: <new password>
New SCP-only administrator password accepted.
```

Using SSH and SCP Client Commands

This section shows the format for using some client commands. The examples below use 205.178.15.157 as the IP address of a sample switch.

To Log In to the Switch

Syntax:

```
>> ssh [-4|-6] <switch IP address>
-or-
>> ssh [-4|-6] <login name>@<switch IP address>
```

Note – The `-4` option (the default) specifies that an IPv4 switch address will be used. The `-6` option specifies IPv6.

Example:

```
>> ssh scpadmin@205.178.15.157
```

To Copy the Switch Configuration File to the SCP Host

Syntax:

```
>> scp [-4|-6] <username>@<switch IP address>:getcfg <local filename>
```

Example:

```
>> scp scpadmin@205.178.15.157:getcfg ad4.cfg
```

To Load a Switch Configuration File from the SCP Host

Syntax:

```
>> scp [-4|-6] <local filename> <username>@<switch IP address>:putcfg
```

Example:

```
>> scp ad4.cfg scpadmin@205.178.15.157:putcfg
```

To Apply and Save the Configuration

When loading a configuration file to the switch, the `apply` and `save` commands are still required, in order for the configuration commands to take effect. The `apply` and `save` commands may be entered manually on the switch, or by using SCP commands.

Syntax:

```
>> scp [-4|-6] <local filename> <username>@<switch IP address>:putcfg_apply
>> scp [-4|-6] <local filename> <username>@<switch IP address>:putcfg_apply_save
```

Example:

```
>> scp ad4.cfg scpadmin@205.178.15.157:putcfg_apply
>> scp ad4.cfg scpadmin@205.178.15.157:putcfg_apply_save
```

- The CLI `diff` command is automatically executed at the end of `putcfg` to notify the remote client of the difference between the new and the current configurations.
- `putcfg_apply` runs the `apply` command after the `putcfg` is done.
- `putcfg_apply_save` saves the new configuration to the flash after `putcfg_apply` is done.
- The `putcfg_apply` and `putcfg_apply_save` commands are provided because extra `apply` and `save` commands are usually required after a `putcfg`; however, an SCP session is not in an interactive mode.

To Copy the Switch Image and Boot Files to the SCP Host

Syntax:

```
>> scp [-4|-6] <username>@<switch IP address>:getimg1 <local filename>
>> scp [-4|-6] <username>@<switch IP address>:getimg2 <local filename>
>> scp [-4|-6] <username>@<switch IP address>:getboot <local filename>
```

Example:

```
>> scp scpadmin@205.178.15.157:getimg1 6.1.0_os.img
```

To Load Switch Configuration Files from the SCP Host

Syntax:

```
>> scp [-4|-6] <local filename> <username>@<switch IP address>:putimg1
>> scp [-4|-6] <local filename> <username>@<switch IP address>:putimg2
>> scp [-4|-6] <local filename> <username>@<switch IP address>:putboot
```

Example:

```
>> scp 6.1.0_os.img scpadmin@205.178.15.157:putimg1
```

SSH and SCP Encryption of Management Messages

The following encryption and authentication methods are supported for SSH and SCP:

- Server Host Authentication: Client RSA authenticates the switch at the beginning of every connection
- Key Exchange: RSA
- Encryption: 3DES-CBC, DES
- User Authentication: Local password authentication, RADIUS, SecurID (via RADIUS or TACACS+ for SSH only—does not apply to SCP)

Generating RSA Host and Server Keys for SSH Access

To support the SSH server feature, two sets of RSA keys (host and server keys) are required. The host key is 1024 bits and is used to identify the G8124. The server key is 768 bits and is used to make it impossible to decipher a captured session by breaking into the G8124 at a later time.

When the SSH server is first enabled and applied, the switch automatically generates the RSA host and server keys and stores them in FLASH memory.

To configure RSA host and server keys, first connect to the G8124 through the console port (commands are not available via external Telnet connection), and enter the following commands to generate them manually.

```
RS G8124(config)# ssh generate-host-key
RS G8124(config)# ssh generate-server-key
```

When the switch reboots, it will retrieve the host and server keys from the FLASH memory. If these two keys are not available in the flash and if the SSH server feature is enabled, the switch automatically generates them during the system reboot. This process may take several minutes to complete.

The switch can also automatically regenerate the RSA server key. To set the interval of RSA server key autogeneration, use this command:

```
RS G8124(config)# ssh interval <number of hours (0-24)>
```

A value of 0 (zero) denotes that RSA server key autogeneration is disabled. When greater than 0, the switch will autogenerate the RSA server key every specified interval; however, RSA server key generation is skipped if the switch is busy doing other key or cipher generation when the timer expires.

Note – The switch will perform only one session of key/cipher generation at a time. Thus, an SSH/SCP client will not be able to log in if the switch is performing key generation at that time. Also, key generation will fail if an SSH/SCP client is logging in at that time.

SSH/SCP Integration with Radius Authentication

SSH/SCP is integrated with RADIUS authentication. After the RADIUS server is enabled on the switch, all subsequent SSH authentication requests will be redirected to the specified RADIUS servers for authentication. The redirection is transparent to the SSH clients.

SSH/SCP Integration with TACACS+ Authentication

SSH/SCP is integrated with TACACS+ authentication. After the TACACS+ server is enabled on the switch, all subsequent SSH authentication requests will be redirected to the specified TACACS+ servers for authentication. The redirection is transparent to the SSH clients.

SecurID Support

SSH/SCP can also work with SecurID, a token card-based authentication method. The use of SecurID requires the interactive mode during login, which is not provided by the SSH connection.

Note – There is no SNMP or Browser-Based Interface (BBI) support for SecurID because the SecurID server, ACE, is a one-time password authentication and requires an interactive session.

Using SecurID with SSH

Using SecurID with SSH involves the following tasks.

- To log in using SSH, use a special username, “ace,” to bypass the SSH authentication.
- After an SSH connection is established, you are prompted to enter the username and password (the SecurID authentication is being performed now).
- Provide your username and the token in your SecurID card as a regular Telnet user.

Using SecurID with SCP

Using SecurID with SCP can be accomplished in two ways:

- Using a RADIUS server to store an administrator password.
You can configure a regular administrator with a fixed password in the RADIUS server if it can be supported. A regular administrator with a fixed password in the RADIUS server can perform both SSH and SCP with no additional authentication required.
- Using an SCP-only administrator password.
Set the SCP-only administrator password (**ssh scp-password**) to bypass checking SecurID.
An SCP-only administrator’s password is typically used when SecurID is not used. For example, it can be used in an automation program (in which the tokens of SecurID are not available) to back up (download) the switch configurations each day.

Note – The SCP-only administrator’s password must be different from the regular administrator’s password. If the two passwords are the same, the administrator using that password will not be allowed to log in as an SSH user because the switch will recognize him as the SCP-only administrator. The switch will only allow the administrator access to SCP commands.

End User Access Control

BLADEOS allows an administrator to define end user accounts that permit end users to perform operation tasks via the switch CLI commands. Once end user accounts are configured and enabled, the switch requires username/password authentication.

For example, an administrator can assign a user, who can then log into the switch and perform operational commands (effective only until the next switch reboot).

Considerations for Configuring End User Accounts

- A maximum of 10 user IDs are supported on the switch.
- BLADEOS supports end user support for console, Telnet, BBI, and SSHv1/v2 access to the switch.
- If RADIUS authentication is used, the user password on the Radius server will override the user password on the G8124. Also note that the password change command only modifies only the user password on the switch and has no effect on the user password on the Radius server. Radius authentication and user password cannot be used concurrently to access the switch.
- Passwords for end users can be up to 128 characters in length.

Strong Passwords

The administrator can require use of Strong Passwords for users to access the G8124. Strong Passwords enhance security because they make password guessing more difficult.

The following rules apply when Strong Passwords are enabled:

- Each passwords must be 8 to 14 characters
- Within the first 8 characters, the password:
 - must have at least one number or one symbol
 - must have both upper and lower case letters
 - cannot be the same as any four previously used passwords

The following are examples of strong passwords:

- 1234AbcXyz
- Super+User
- Exo1cet2

The administrator can choose the number of days allowed before each password expires. When a strong password expires, the user is allowed to log in one last time (last time) to change the password. A warning provides advance notice for users to change the password.

Use the Strong Password commands to configure Strong Passwords.

```
>> # access user strong-password enable
```

User Access Control

The end-user access control commands allow you to configure end-user accounts.

Setting up User IDs

Up to 10 user IDs can be configured. Use the following commands to define any user name and set the user password at the resulting prompts:

```
RS G8124(config)# access user 1 name <1-8 characters>
RS G8124(config)# access user 1 password

Changing user1 password; validation required:
Enter current admin password: <current administrator password>
Enter new user1 password: <new user password>
Re-enter new user1 password: <new user password>
New user1 password accepted.
```

Defining a User's Access Level

The end user is by default assigned to the user access level (also known as class of service, or COS). COS for all user accounts have global access to all resources except for User COS, which has access to view only resources that the user owns. For more information, see [Table 3 on page 68](#).

To change the user's level, select one of the following options:

```
RS G8124(config)# access user 1 level {user|operator|administrator}
```

Validating a User's Configuration

```
RS G8124# show access user uid 1
```

Enabling or Disabling a User

An end user account must be enabled before the switch recognizes and permits login under the account. Once enabled, the switch requires any user to enter both username and password.

```
RS G8124(config)# [no] access user 1 enable
```

Listing Current Users

The following command displays defined user accounts and whether or not each user is currently logged into the switch.

```
RS G8124# show access user

Usernames:
  user      - Enabled - offline
  oper      - Disabled - offline
  admin     - Always Enabled - online 1 session

Current User ID table:
1: name jane      , ena, cos user      , password valid, online 1 session
2: name john     , ena, cos user      , password valid, online 2 sessions
```

Logging into an End User Account

Once an end user account is configured and enabled, the user can login to the switch using the username/password combination. The level of switch access is determined by the COS established for the end user account.

CHAPTER 4

Authentication & Authorization Protocols

Secure switch management is needed for environments that perform significant management functions across the Internet. The following are some of the functions for secured IPv4 management and device access:

- “RADIUS Authentication and Authorization” on page 65
- “TACACS+ Authentication” on page 69
- “LDAP Authentication and Authorization” on page 73

Note – BLADEOS 6.5 does not support IPv6 for RADIUS, TACACS+ or LDAP.

RADIUS Authentication and Authorization

BLADEOS supports the RADIUS (Remote Authentication Dial-in User Service) method to authenticate and authorize remote administrators for managing the switch. This method is based on a client/server model. The Remote Access Server (RAS)—the switch—is a client to the back-end database server. A remote user (the remote administrator) interacts only with the RAS, not the back-end server and database.

RADIUS authentication consists of the following components:

- A protocol with a frame format that utilizes UDP over IP (based on RFC 2138 and 2866)
- A centralized server that stores all the user authorization information
- A client: in this case, the switch

The G8124—acting as the RADIUS client—communicates to the RADIUS server to authenticate and authorize a remote administrator using the protocol definitions specified in RFC 2138 and 2866. Transactions between the client and the RADIUS server are authenticated using a shared key that is not sent over the network. In addition, the remote administrator passwords are sent encrypted between the RADIUS client (the switch) and the back-end RADIUS server.

How RADIUS Authentication Works

1. Remote administrator connects to the switch and provides user name and password.
2. Using Authentication/Authorization protocol, the switch sends request to authentication server.
3. Authentication server checks the request against the user ID database.
4. Using RADIUS protocol, the authentication server instructs the switch to grant or deny administrative access.

Configuring RADIUS on the Switch

Use the following procedure to configure Radius authentication on your switch.

1. Configure the IPv4 addresses of the Primary and Secondary RADIUS servers, and enable RADIUS authentication.

```
RS G8124(config)# radius-server primary-host 10.10.1.1
RS G8124(config)# radius-server secondary-host 10.10.1.2
RS G8124(config)# radius-server enable
```

2. Configure the RADIUS secret.

```
RS G8124(config)# radius-server primary-host 10.10.1.1 key
<1-32 character secret>
RS G8124(config)# radius-server secondary-host 10.10.1.2 key
<1-32 character secret>
```

3. If desired, you may change the default UDP port number used to listen to RADIUS.

The well-known port for RADIUS is 1812.

```
RS G8124(config)# radius-server port <UDP port number>
```

4. Configure the number retry attempts for contacting the RADIUS server, and the timeout period.

```
RS G8124(config)# radius-server retransmit 3
RS G8124(config)# radius-server timeout 5
```

RADIUS Authentication Features in BLADEOS

BLADEOS supports the following RADIUS authentication features:

- Supports RADIUS client on the switch, based on the protocol definitions in RFC 2138 and RFC 2866.
- Allows RADIUS secret password up to 32 bytes and less than 16 octets.
- Supports *secondary authentication server* so that when the primary authentication server is unreachable, the switch can send client authentication requests to the secondary authentication server. Use the following command to show the currently active RADIUS authentication server:

```
RS G8124# show radius-server
```

- Supports user-configurable RADIUS server retry and time-out values:
 - Time-out value = 1-10 seconds
 - Retries = 1-3

The switch will time out if it does not receive a response from the RADIUS server in 1-3 retries. The switch will also automatically retry connecting to the RADIUS server before it declares the server down.
- Supports user-configurable RADIUS application port.
The default is 1812/UDP-based on RFC 2138. Port 1645 is also supported.
- Supports user-configurable RADIUS application port. The default is UDP port 1645. UDP port 1812, based on RFC 2138, is also supported.
- Allows network administrator to define privileges for one or more specific users to access the switch at the RADIUS user database.

Switch User Accounts

The user accounts listed in [Table 3](#) can be defined in the RADIUS server dictionary file.

Table 3 User Access Levels

User Account	Description and Tasks Performed	Password
User	The User has no direct responsibility for switch management. He/she can view all switch status information and statistics but cannot make any configuration changes to the switch.	user
Operator	The Operator manages all functions of the switch. The Operator can reset ports, except the management port.	oper
Administrator	The super-user Administrator has complete access to all commands, information, and configuration commands on the switch, including the ability to change both the user and administrator passwords.	admin

RADIUS Attributes for BLADEOS User Privileges

When the user logs in, the switch authenticates his/her level of access by sending the RADIUS access request, that is, the client authentication request, to the RADIUS authentication server.

If the remote user is successfully authenticated by the authentication server, the switch will verify the *privileges* of the remote user and authorize the appropriate access. The administrator has an option to allow *secure backdoor* access via Telnet/SSH/BBI. Secure backdoor provides switch access when the RADIUS servers cannot be reached. You always can access the switch via the console port, by using `noradius` and the administrator password, whether secure backdoor is enabled or not.

Note – To obtain the RADIUS backdoor password for your G8124, contact Technical Support.

All user privileges, other than those assigned to the Administrator, have to be defined in the RADIUS dictionary. RADIUS attribute 6 which is built into all RADIUS servers defines the administrator. The file name of the dictionary is RADIUS vendor-dependent. The following RADIUS attributes are defined for G8124 user privileges levels:

Table 4 BLADEOS-proprietary Attributes for RADIUS

User Name/Access	User-Service-Type	Value
User	<i>Vendor-supplied</i>	255
Operator	<i>Vendor-supplied</i>	252
Admin	<i>Vendor-supplied</i>	6

TACACS+ Authentication

BLADEOS supports authentication and authorization with networks using the Cisco Systems TACACS+ protocol. The G8124 functions as the Network Access Server (NAS) by interacting with the remote client and initiating authentication and authorization sessions with the TACACS+ access server. The remote user is defined as someone requiring management access to the G8124 either through a data port or management port.

TACACS+ offers the following advantages over RADIUS:

- TACACS+ uses TCP-based connection-oriented transport; whereas RADIUS is UDP-based. TCP offers a connection-oriented transport, while UDP offers best-effort delivery. RADIUS requires additional programmable variables such as re-transmit attempts and time-outs to compensate for best-effort transport, but it lacks the level of built-in support that a TCP transport offers.
- TACACS+ offers full packet encryption whereas RADIUS offers password-only encryption in authentication requests.
- TACACS+ separates authentication, authorization and accounting.

How TACACS+ Authentication Works

TACACS+ works much in the same way as RADIUS authentication as described on [page 65](#).

1. Remote administrator connects to the switch and provides user name and password.
2. Using Authentication/Authorization protocol, the switch sends request to authentication server.
3. Authentication server checks the request against the user ID database.
4. Using TACACS+ protocol, the authentication server instructs the switch to grant or deny administrative access.

During a session, if additional authorization checking is needed, the switch checks with a TACACS+ server to determine if the user is granted permission to use a particular command.

TACACS+ Authentication Features in BLADEOS

Authentication is the action of determining the identity of a user, and is generally done when the user first attempts to log in to a device or gain access to its services. BLADEOS supports ASCII inbound login to the device. PAP, CHAP and ARAP login methods, TACACS+ change password requests, and one-time password authentication are not supported.

Authorization

Authorization is the action of determining a user's privileges on the device, and usually takes place after authentication.

The default mapping between TACACS+ authorization levels and BLADEOS management access levels is shown in [Table 5](#). The authorization levels must be defined on the TACACS+ server.

Table 5 Default TACACS+ Authorization Levels

BLADEOS User Access Level	TACACS+ level
user	0
oper	3
admin	6

Alternate mapping between TACACS+ authorization levels and BLADEOS management access levels is shown in [Table 6](#). Use the following command to set the alternate TACACS+ authorization levels.

```
RS G8124(config)# tacacs-server privilege-mapping
```

Table 6 Alternate TACACS+ Authorization Levels

BLADEOS User Access Level	TACACS+ level
user	0 - 1
oper	6 - 8
admin	14 - 15

If the remote user is successfully authenticated by the authentication server, the switch verifies the *privileges* of the remote user and authorizes the appropriate access. The administrator has an option to allow *secure backdoor* access via Telnet/SSH. Secure backdoor provides switch access when the TACACS+ servers cannot be reached. You always can access the switch via the console port, by using `notacacs` and the administrator password, whether secure backdoor is enabled or not.

Note – To obtain the TACACS+ backdoor password for your G8124, contact Technical Support.

Accounting

Accounting is the action of recording a user's activities on the device for the purposes of billing and/or security. It follows the authentication and authorization actions. If the authentication and authorization is not performed via TACACS+, there are no TACACS+ accounting messages sent out.

You can use TACACS+ to record and track software login access, configuration changes, and interactive commands.

The G8124 supports the following TACACS+ accounting attributes:

- protocol (console/Telnet/SSH/HTTP/HTTPS)
- start_time
- stop_time
- elapsed_time
- disc_cause

Note – When using the Browser-Based Interface, the TACACS+ Accounting Stop records are sent only if the **Logout** button on the browser is clicked.

Command Authorization and Logging

When TACACS+ Command Authorization is enabled, BLADEOS configuration commands are sent to the TACACS+ server for authorization. Use the following command to enable TACACS+ Command Authorization:

```
RS G8124(config)# tacacs-server command-authorization
```

When TACACS+ Command Logging is enabled, BLADEOS configuration commands are logged on the TACACS+ server. Use the following command to enable TACACS+ Command Logging:

```
RS G8124(config)# tacacs-server command-logging
```

The following examples illustrate the format of BLADEOS commands sent to the TACACS+ server:

```
authorization request, cmd=shell, cmd-arg=interface ip
accounting request, cmd=shell, cmd-arg=interface ip
authorization request, cmd=shell, cmd-arg=enable
accounting request, cmd=shell, cmd-arg=enable
```

Configuring TACACS+ Authentication on the Switch

1. Configure the IPv4 addresses of the Primary and Secondary TACACS+ servers, and enable TACACS authentication. Specify the interface port (optional).

```
RS G8124(config)# tacacs-server primary-host 10.10.1.1
RS G8124(config)# tacacs-server primary-host mgtb-port
RS G8124(config)# tacacs-server secondary-host 10.10.1.2
RS G8124(config)# tacacs-server secondary-host data-port
RS G8124(config)# tacacs-server enable
```

2. Configure the TACACS+ secret and second secret.

```
RS G8124(config)# tacacs-server primary-host 10.10.1.1 key
<1-32 character secret>
RS G8124(config)# tacacs-server secondary-host 10.10.1.2 key
<1-32 character secret>
```

3. If desired, you may change the default TCP port number used to listen to TACACS+.

The well-known port for TACACS+ is 49.

```
RS G8124(config)# tacacs-server port <TCP port number>
```

4. Configure the number of retry attempts, and the timeout period.

```
RS G8124(config)# tacacs-server retransmit 3
RS G8124(config)# tacacs-server timeout 5
```


LDAP Authentication and Authorization

BLADEOS supports the LDAP (Lightweight Directory Access Protocol) method to authenticate and authorize remote administrators to manage the switch. LDAP is based on a client/server model. The switch acts as a client to the LDAP server. A remote user (the remote administrator) interacts only with the switch, not the back-end server and database.

LDAP authentication consists of the following components:

- A protocol with a frame format that utilizes TCP over IP
- A centralized server that stores all the user authorization information
- A client: in this case, the switch

Each entry in the LDAP server is referenced by its Distinguished Name (DN). The DN consists of the user-account name concatenated with the LDAP domain name. If the user-account name is John, the following is an example DN:

```
uid=John,ou=people,dc=domain,dc=com
```

Configuring the LDAP Server

G8124 user groups and user accounts must reside within the same domain. On the LDAP server, configure the domain to include G8124 user groups and user accounts, as follows:

- User Accounts:

Use the *uid* attribute to define each individual user account.

- User Groups:

Use the *members* attribute in the *groupOfNames* object class to create the user groups. The first word of the common name for each user group must be equal to the user group names defined in the G8124, as follows:

- admin
- oper
- user

Configuring LDAP Authentication on the Switch

1. Turn LDAP authentication on, then configure the IPv4 addresses of the Primary and Secondary LDAP servers. Specify the interface port (optional).

```
>> # ldap-server enable
>> # ldap-server primary-host 10.10.1.1 mgta-port
>> # ldap-server secondary-host 10.10.1.2 data-port
```

2. Configure the domain name.

```
>> # ldap-server domain <ou=people,dc=my-domain,dc=com>
```

3. You may change the default TCP port number used to listen to LDAP (optional).

The well-known port for LDAP is 389.

```
>> # ldap-server port <1-65000>
```

4. Configure the number of retry attempts for contacting the LDAP server, and the timeout period.

```
>> # ldap-server retransmit 3
>> # ldap-server timeout 10
```

CHAPTER 5

Access Control Lists

Access Control Lists (ACLs) are filters that permit or deny traffic for security purposes. They can also be used with QoS to classify and segment traffic in order to provide different levels of service to different traffic types. Each filter defines the conditions that must match for inclusion in the filter, and also the actions that are performed when a match is made.

BLADEOS 6.5 supports the following ACLs:

- Regular ACLs

Up to 127 ACLs are supported for networks that use IPv4 addressing. Regular ACLs are configured using the following ISCLI command path:

```
RS G8124(config)# access-control list <Regular ACL number> ?
```

- IPv6 ACLs

- Up to 128 ACLs are supported for networks that use IPv6 addressing. IPv6 ACLs are configured using the following ISCLI command path: VLAN Maps (VMaps)

```
RS G8124(config)# access-control list6 <IPv6 ACL number> ?
```

Up to 127 VLAN Maps are supported for attaching filters to VLANs rather than ports. See [“VLAN Maps” on page 82](#) for details.

Note – The stated ACL capacity reflects the Default deployment mode. ACL support may differ under some deployments modes. In modes where ACLs are not supported, ACL configuration menus and commands are not available. See [“Deployment Profiles” on page 147](#) for details.

Summary of Packet Classifiers

ACLs allow you to classify packets according to a variety of content in the packet header (such as the source address, destination address, source port number, destination port number, and others). Once classified, packet flows can be identified for more processing.

Regular ACLs, IPv6 ACLs, and VMaps allow you to classify packets based on the following packet attributes:

- Ethernet header options (for regular ACLs and VMaps only)
 - Source MAC address
 - Destination MAC address
 - VLAN number and mask
 - Ethernet type (ARP, IP, IPv6, MPLS, RARP, etc.)
 - Ethernet Priority (the IEEE 802.1p Priority)
- IPv4 header options (for regular ACLs and VMaps only)
 - Source IPv4 address and subnet mask
 - Destination IPv4 address and subnet mask
 - Type of Service value
 - IP protocol number or name as shown in [Table 7](#):

Table 7 Well-Known Protocol Types

Number	Protocol Name
1	icmp
2	igmp
6	tcp
17	udp
89	ospf
112	vrrp

- IPv6 header options (for IPv6 ACLs only)
 - Source IPv6 address and prefix length
 - Destination IPv6 address and prefix length
 - Next Header value
 - Flow Label value
 - Traffic Class value

- TCP/UDP header options (for all ACLs)
 - TCP/UDP application source port as shown in [Table 8](#)

Table 8 Well-Known Application Ports

Port	TCP/UDP Application	Port	TCP/UDP Application	Port	TCP/UDP Application
20	ftp-data	79	finger	179	bgp
21	ftp	80	http	194	irc
22	ssh	109	pop2	220	imap3
23	telnet	110	pop3	389	ldap
25	smtp	111	sunrpc	443	https
37	time	119	nntp	520	rip
42	name	123	ntp	554	rtsp
43	whois	143	imap	1645/1812	Radius
53	domain	144	news	1813	Radius Accounting
69	tftp	161	snmp	1985	hsrp
70	gopher	162	snmptrap		

- TCP/UDP application destination port and mask as shown in [Table 8](#)
- TCP/UDP flag value as shown in [Table 9](#)

Table 9 Well-Known TCP flag values

Flag	Value
URG	0x0020
ACK	0x0010
PSH	0x0008
RST	0x0004
SYN	0x0002
FIN	0x0001

- Packet format (for regular ACLs and VMaps only)
 - Ethernet format (eth2, SNAP, LLC)
 - Ethernet tagging format
 - IP format (IPv4, IPv6)

Summary of ACL Actions

Once classified using ACLs, the identified packet flows can be processed differently. For each ACL, an *action* can be assigned. The action determines how the switch treats packets that match the classifiers assigned to the ACL. G8124 ACL actions include the following:

- Pass or Drop the packet
- Re-mark the packet with a new DiffServ Code Point (DSCP)
- Re-mark the 802.1p field
- Set the COS queue

Note – ACLs act only upon ingress traffic on a port, not egress traffic.

Assigning Individual ACLs to a Port

Once you configure an ACL, you must assign the ACL to the appropriate ports. Each port can accept multiple ACLs, and each ACL can be applied for multiple ports. ACLs can be assigned individually.

To assign an individual ACLs to a port, use the following IP Interface Mode commands:

```
RS G8124(config)# interface port <port>
RS G8124(config-ip)# access-control list <Regular ACL number>
RS G8124(config-ip)# access-control list6 <IPv6 ACL number>
```

When multiple ACLs are assigned to a port, higher-priority ACLs are considered first, and their action takes precedence over lower-priority ACLs. ACL order of precedence is discussed in the next section.

ACL Order of Precedence

When multiple ACLs are assigned to a port, they are evaluated in numeric sequence, based on the ACL number. Lower-numbered ACLs take precedence over higher-numbered ACLs. For example, ACL 1 (if assigned to the port) is evaluated first and has top priority.

If multiple ACLs match the port traffic, only the action of the one with the lowest ACL number is applied. The others are ignored.

If no assigned ACL matches the port traffic, no ACL action is applied.

ACL Metering and Re-Marking

You can define a profile for the aggregate traffic flowing through the G8124 by configuring a QoS meter (if desired) and assigning ACLs to ports.

Note – When you add ACLs to a port, make sure they are ordered correctly in terms of precedence (see “[ACL Order of Precedence](#)” on page 78).

Actions taken by an ACL are called *In-Profile* actions. You can configure additional In-Profile and Out-of-Profile actions on a port. Data traffic can be metered, and re-marked to ensure that the traffic flow provides certain levels of service in terms of bandwidth for different types of network traffic.

Metering

QoS metering provides different levels of service to data streams through user-configurable parameters. A meter is used to measure the traffic stream against a traffic profile which you create. Thus, creating meters yields In-Profile and Out-of-Profile traffic for each ACL, as follows:

- **In-Profile**—If there is no meter configured or if the packet conforms to the meter, the packet is classified as In-Profile.
- **Out-of-Profile**—If a meter is configured and the packet does not conform to the meter (exceeds the committed rate or maximum burst rate of the meter), the packet is classified as Out-of-Profile.

Note – Metering is not supported for IPv6 ACLs. All traffic matching an IPv6 ACL is considered in-profile for re-marking purposes.

Using meters, you set a Committed Rate in Kbps (in multiples of 64 Mbps). All traffic within this Committed Rate is In-Profile. Additionally, you can set a Maximum Burst Size that specifies an allowed data burst larger than the Committed Rate for a brief period. These parameters define the In-Profile traffic.

Meters keep the sorted packets within certain parameters. You can configure a meter on an ACL, and perform actions on metered traffic, such as packet re-marking.

Re-Marking

Re-marking allows for the treatment of packets to be reset based on new network specifications or desired levels of service. You can configure the ACL to re-mark a packet as follows:

- Change the DSCP value of a packet, used to specify the service level that traffic should receive.
- Change the 802.1p priority of a packet.

ACL Port Mirroring

For regular ACLs and VMaps, packets that match an ACL on a specific port can be mirrored to another switch port for network diagnosis and monitoring.

The source port for the mirrored packets cannot be a portchannel, but may be a member of a portchannel.

The destination port to which packets are mirrored must be a physical port.

If the ACL or VMap has an action (permit, drop, etc.) assigned, it cannot be used to mirror packets for that ACL.

Use the following commands to add mirroring to an ACL:

- For regular ACLs:

```
RS G8124(config)# access-control list <ACL number> mirror port
                    <destination port>
```

The ACL must be also assigned to its target ports as usual (see [“Assigning Individual ACLs to a Port” on page 78](#)).

- For VMaps (see [“VLAN Maps” on page 82](#)):

```
RS G8124(config)# access-control vmap <VMap number> mirror port
                    <monitor destination port>
```

Viewing ACL Statistics

ACL statistics display how many packets have “hit” (matched) each ACL. Use ACL statistics to check filter performance or to debug the ACL filter configuration.

You must enable statistics for each ACL that you wish to monitor:

```
RS G8124(config)# access-control list <ACL number> statistics
```


ACL Configuration Examples

ACL Example 1

Use this configuration to block traffic to a specific host. All traffic that ingresses on port 1 is denied if it is destined for the host at IP address 100.10.1.1

1. Configure an Access Control List.

```
RS G8124(config)# access-control list 1 ipv4 destination-ip-address
100.10.1.1
RS G8124(config)# access-control list 1 action deny
```

2. Add ACL 1 to port EXT1.

```
RS G8124(config)# interface port 1
RS G8124(config-if)# access-control list 1
RS G8124(config-if)# exit
```

ACL Example 2

Use this configuration to block traffic from a network destined for a specific host address. All traffic that ingresses in port 2 with source IP from class 100.10.1.0/24 and destination IP 200.20.2.2 is denied.

1. Configure an Access Control List.

```
RS G8124(config)# access-control list 2 ipv4 source-ip-address
100.10.1.0 255.255.255.0
RS G8124(config)# access-control list 2 ipv4 destination-ip-address
200.20.2.2 255.255.255.255
RS G8124(config)# access-control list 1 action deny
```

2. Add ACL 2 to port EXT2.

```
RS G8124(config)# interface port 2
RS G8124(config-if)# access-control list 2
RS G8124(config-if)# exit
```

ACL Example 3

Use this configuration to block traffic from a specific IPv6 source address. All traffic that ingresses in port 2 with source IP from class 2001:0:0:5:0:0:2/128 is denied.

1. Configure an Access Control List.

```
RS G8124(config)# access-control list6 3 ipv6 source-address
    2001:0:0:5:0:0:2 128
RS G8124(config)# access-control list6 3 action deny
```

2. Add ACL 2 to port EXT2.

```
RS G8124(config)# interface port 2
RS G8124(config-if)# access-control list6 3
RS G8124(config-if)# exit
```

VLAN Maps

A VLAN map (VMAP) is an ACL that can be assigned to a VLAN or VM group rather than to a switch port as with regular ACLs. This is particularly useful in a virtualized environment where traffic filtering and metering policies must follow virtual machines (VMs) as they migrate between hypervisors.

Note – VLAN maps for VM groups are not supported simultaneously on the same ports as vNICs (see [“Virtual NICs” on page 153](#)).

The G8124 supports up to 127 VMAPs when the switch is operating in the default deployment mode (see [“Deployment Profiles” on page 147](#)). VMAP menus and commands are not available in the Routing deployment mode.

Individual VMAP filters are configured in the same fashion as regular ACLs, except that VLANs cannot be specified as a filtering criteria (unnecessary, since the VMAP are assigned to a specific VLAN or associated with a VM group VLAN).

VMAPs are configured using the following ISCLI configuration command path:

```
RS G8124(config)# access-control vmap <VMAP ID> ?
  action          Set filter action
  ethernet        Ethernet header options
  ipv4            IP version 4 header options
  meter           ACL metering configuration
  mirror          Mirror options
  packet-format   Set to filter specific packet format types
  re-mark         ACL re-mark configuration
  statistics      Enable access control list statistics
  tcp-udp         TCP and UDP filtering options
```

Once a VMAP filter is created, it can be assigned or removed using the following configuration commands:

- For a regular VLAN, use config-vlan mode:

```
RS G8124(config)# vlan <VLAN ID>
RS G8124(config-vlan)# [no] vmap <VMAP ID> [serverports |
non-serverports]
```

- For a VM group (see “VM Group Types” on page 166), use the global configuration mode:

```
RS G8124(config)# [no] virt vmgroup <ID> vmap <VMAP ID>
[serverports | non-serverports]
```

Note – Each VMAP can be assigned to only one VLAN or VM group. However, each VLAN or VM group may have multiple VMAPs assigned to it.

When the optional `serverports` or `non-serverports` parameter is specified, the action to add or remove the VMAP is applied for either the switch server ports (`serverports`) or uplink ports (`non-serverports`). If omitted, the operation will be applied to all ports in the associated VLAN or VM group.

Using Storm Control Filters

The G8124 provides filters that can limit the number of the following packet types transmitted by switch ports:

- Broadcast packets
- Multicast packets
- Unknown unicast packets (destination lookup failure)

Broadcast Storms

Excessive transmission of broadcast or multicast traffic can result in a broadcast storm. A broadcast storm can overwhelm your network with constant broadcast or multicast traffic, and degrade network performance. Common symptoms of a broadcast storm are slow network response times and network operations timing out.

Unicast packets whose destination MAC address is not in the Forwarding Database are *unknown unicasts*. When an unknown unicast is encountered, the switch handles it like a broadcast packet and floods it to all other ports in the VLAN (broadcast domain). A high rate of unknown unicast traffic can have the same negative effects as a broadcast storm.

Configuring Storm Control

Configure broadcast filters on each port that requires broadcast storm control. Set a threshold that defines the total number of broadcast packets transmitted (100-10000), in Megabits per second. When the threshold is reached, no more packets of the specified type are transmitted.

Up to nine storm filters can be configured on the G8124.

To filter broadcast packets on a port, use the following commands:

```
RS G8124(config)# interface port 1
RS G8124(config-if)# broadcast-threshold <packet rate>
```

To filter multicast packets on a port, use the following commands:

```
RS G8124(config-if)# multicast-threshold <packet rate>
```

To filter unknown unicast packets on a port, use the following commands:

```
RS G8124(config-if)# dest-lookup-threshold <packet rate>
RS G8124(config-if)# exit
```

Part 3: Switch Basics

This section discusses basic switching functions:

- VLANs
- Port Trunking
- Spanning Tree Protocols (Spanning Tree Groups, Rapid Spanning Tree Protocol, and Multiple Spanning Tree Protocol)
- Quality of Service

CHAPTER 6

VLANs

This chapter describes network design and topology considerations for using Virtual Local Area Networks (VLANs). VLANs commonly are used to split up groups of network users into manageable broadcast domains, to create logical segmentation of workgroups, and to enforce security policies among logical segments. The following topics are discussed in this chapter:

- [“VLANs and Port VLAN ID Numbers” on page 88](#)
- [“VLAN Tagging” on page 90](#)
- [“VLAN Topologies and Design Considerations” on page 94](#)
This section discusses how you can connect users and segments to a host that supports many logical segments or subnets by using the flexibility of the multiple VLAN system.
- [“Private VLANs” on page 98](#)

Note – VLANs can be configured from the Command Line Interface (see “VLAN Configuration” as well as “Port Configuration” in the *Command Reference*).

VLANs Overview

Setting up virtual LANs (VLANs) is a way to segment networks to increase network flexibility without changing the physical network topology. With network segmentation, each switch port connects to a segment that is a single broadcast domain. When a switch port is configured to be a member of a VLAN, it is added to a group of ports (workgroup) that belong to one broadcast domain.

Ports are grouped into broadcast domains by assigning them to the same VLAN. Frames received in one VLAN can only be forwarded within that VLAN, and multicast, broadcast, and unknown unicast frames are flooded only to ports in the same VLAN.

The RackSwitch G8124 (G8124) supports jumbo frames with a Maximum Transmission Unit (MTU) of 9,216 bytes. Within each frame, 18 bytes are reserved for the Ethernet header and CRC trailer. The remaining space in the frame (up to 9,198 bytes) comprise the packet, which includes the payload of up to 9,000 bytes and any additional overhead, such as 802.1q or VLAN tags. Jumbo frame support is automatic: it is enabled by default, requires no manual configuration, and cannot be manually disabled.

VLANs and Port VLAN ID Numbers

VLAN Numbers

The G8124 supports up to 1024 VLANs per switch. Even though the maximum number of VLANs supported at any given time is 1024, each can be identified with any number between 1 and 4094. VLAN 1 is the default VLAN for the data ports. VLAN 4095 is used by the management network, which includes the management port.

Use the following command to view VLAN information:

```
RS G8124# show vlan
```

VLAN	Name	Status	Ports
1	Default VLAN	ena	1-24
2	VLAN 2	dis	empty
4095	Mgmt VLAN	ena	MGMTA MGMTB

PVID Numbers

Each port in the switch has a configurable default VLAN number, known as its *PVID*. By default, the PVID for all non-management ports is set to 1, which correlates to the default VLAN ID. The PVID for each port can be configured to any VLAN number between 1 and 4094.

Use the following command to view PVIDs:

```
RS G8124# show interface information
```

Alias	Port	Tag	RMON	Lrn	Fld	PVID	NAME	VLAN(s)
1	1	n	d	e	e	1		1
2	2	n	d	e	e	1		1
3	3	n	d	e	e	1		1
4	4	n	d	e	e	1		1
...
24	24	n	d	e	e	1		1
MGMTA	25	n	d	e	e	4095		4095
MGMTB	26	n	d	e	e	4095		4095

= PVID is tagged.

Use the following command to set the port PVID:

```
RS G8124(config)# interface port <port number>
RS G8124(config-if)# pvid <PVID number>
```

Each port on the switch can belong to one or more VLANs, and each VLAN can have any number of switch ports in its membership. Any port that belongs to multiple VLANs, however, must have *VLAN tagging* enabled (see [“VLAN Tagging” on page 90](#)).

VLAN Tagging

BLADEOS software supports 802.1Q VLAN *tagging*, providing standards-based VLAN support for Ethernet systems.

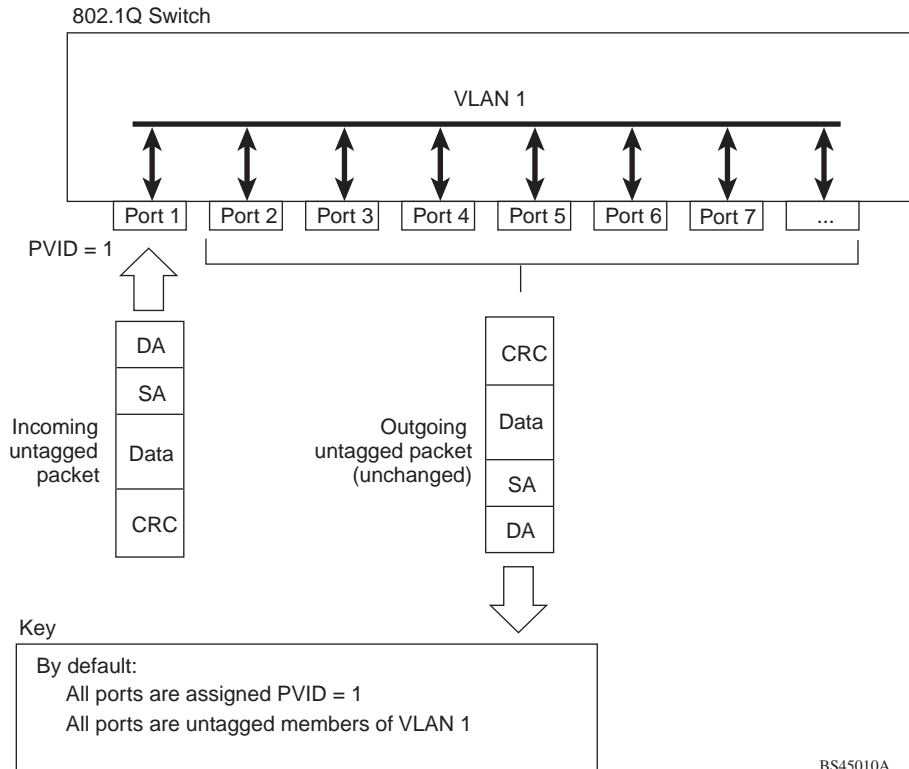
Tagging places the VLAN identifier in the frame header of a packet, allowing each port to belong to multiple VLANs. When you add a port to multiple VLANs, you also must enable tagging on that port.

Since tagging fundamentally changes the format of frames transmitted on a tagged port, you must carefully plan network designs to prevent tagged frames from being transmitted to devices that do not support 802.1Q VLAN tags, or devices where tagging is not enabled.

Important terms used with the 802.1Q tagging feature are:

- VLAN identifier (VID)—the 12-bit portion of the VLAN tag in the frame header that identifies an explicit VLAN.
- Port VLAN identifier (PVID)—a classification mechanism that associates a port with a specific VLAN. For example, a port with a PVID of 3 (PVID =3) assigns all untagged frames received on this port to VLAN 3. Any untagged frames received by the switch are classified with the PVID of the receiving port.
- Tagged frame—a frame that carries VLAN tagging information in the header. This VLAN tagging information is a 32-bit field (VLAN tag) in the frame header that identifies the frame as belonging to a specific VLAN. Untagged frames are marked (tagged) with this classification as they leave the switch through a port that is configured as a tagged port.
- Untagged frame— a frame that does not carry any VLAN tagging information in the frame header.
- Untagged member—a port that has been configured as an untagged member of a specific VLAN. When an untagged frame exits the switch through an untagged member port, the frame header remains unchanged. When a tagged frame exits the switch through an untagged member port, the tag is stripped and the tagged frame is changed to an untagged frame.
- Tagged member—a port that has been configured as a tagged member of a specific VLAN. When an untagged frame exits the switch through a tagged member port, the frame header is modified to include the 32-bit tag associated with the PVID. When a tagged frame exits the switch through a tagged member port, the frame header remains unchanged (original VID remains).

Note – If a 802.1Q tagged frame is received by a port that has VLAN-tagging disabled and the port VLAN ID (PVID) is different than the VLAN ID of the packet, then the frame is dropped at the ingress port.

Figure 1 Default VLAN settings

BS45010A

Note – The port numbers specified in these illustrations may not directly correspond to the physical port configuration of your switch model.

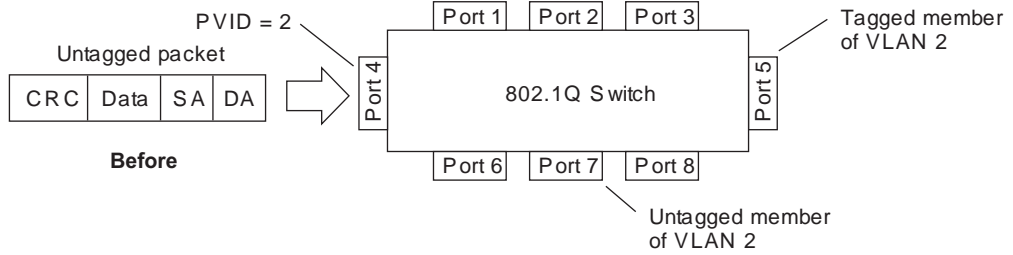
When a VLAN is configured, ports are added as members of the VLAN, and the ports are defined as either *tagged* or *untagged* (see [Figure 2](#) through [Figure 5](#)).

The default configuration settings for the G8124 has all ports set as untagged members of VLAN 1 with all ports configured as PVID = 1. In the default configuration example shown in [Figure 1](#), all incoming packets are assigned to VLAN 1 by the default port VLAN identifier (PVID = 1).

[Figure 2](#) through [Figure 5](#) illustrate generic examples of VLAN tagging. In [Figure 2](#), untagged incoming packets are assigned directly to VLAN 2 (PVID = 2). Port 5 is configured as a *tagged* member of VLAN 2, and port 7 is configured as an *untagged* member of VLAN 2.

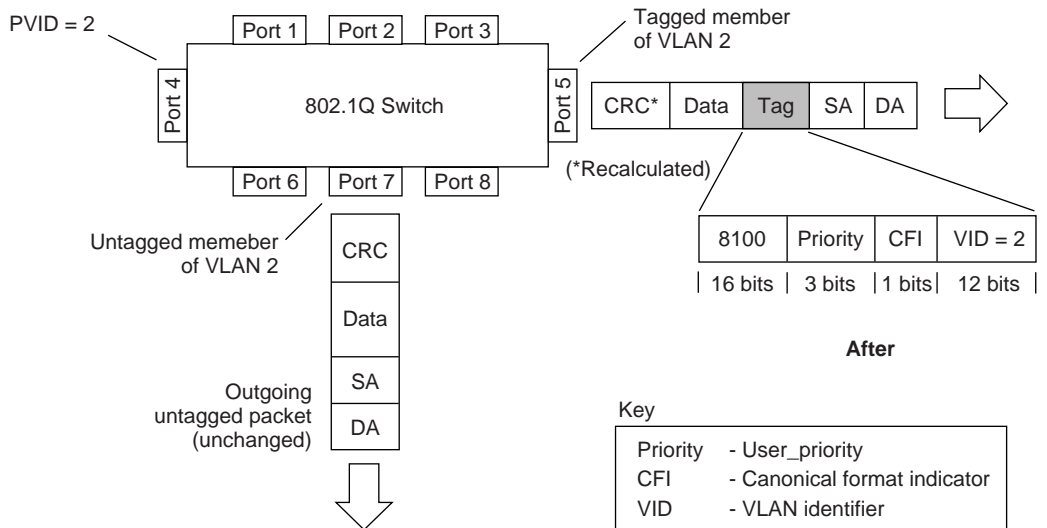
Note – The port assignments in the following figures are not meant to match the G8124.

Figure 2 Port-based VLAN assignment



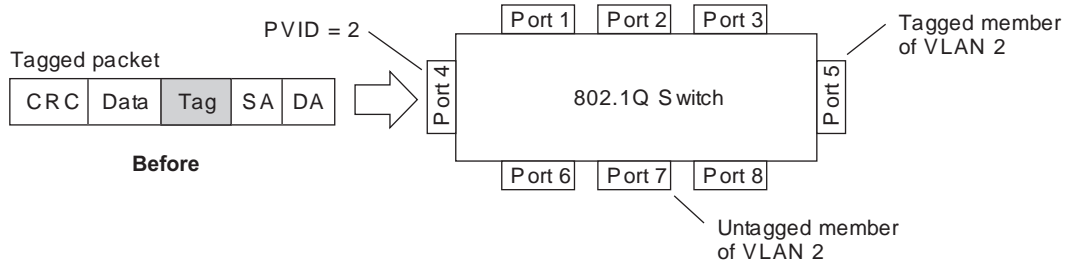
As shown in Figure 3, the untagged packet is marked (tagged) as it leaves the switch through port 5, which is configured as a tagged member of VLAN 2. The untagged packet remains unchanged as it leaves the switch through port 7, which is configured as an untagged member of VLAN 2.

Figure 3 802.1Q tagging (after port-based VLAN assignment)



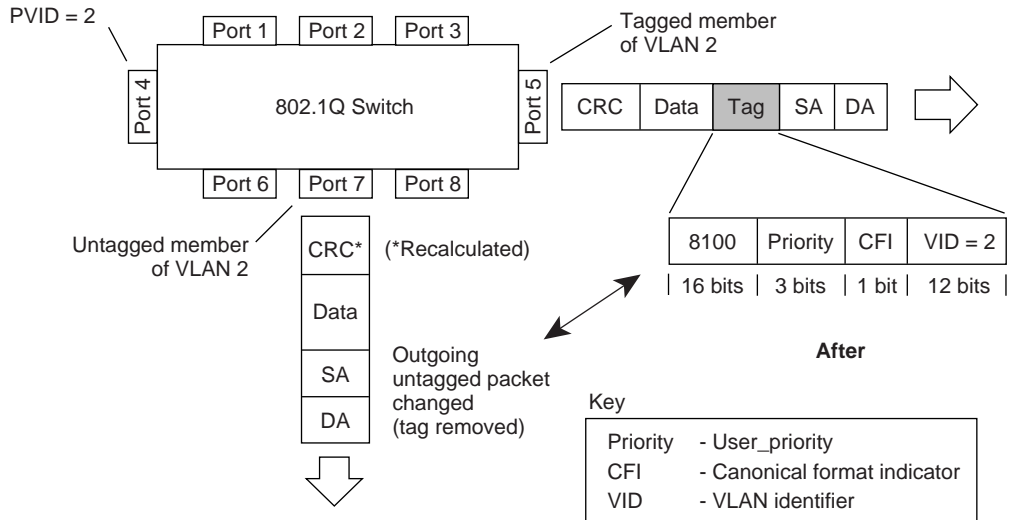
In Figure 4, tagged incoming packets are assigned directly to VLAN 2 because of the tag assignment in the packet. Port 5 is configured as a *tagged* member of VLAN 2, and port 7 is configured as an *untagged* member of VLAN 2.

Figure 4 802.1Q tag assignment



As shown in **Figure 5**, the tagged packet remains unchanged as it leaves the switch through port 5, which is configured as a tagged member of VLAN 2. However, the tagged packet is stripped (untagged) as it leaves the switch through port 7, which is configured as an untagged member of VLAN 2.

Figure 5 802.1Q tagging (after 802.1Q tag assignment)



VLAN Topologies and Design Considerations

- By default, the G8124 software is configured so that tagging is disabled on all ports.
- By default, the G8124 software is configured so that all data ports are members of VLAN 1.
- By default, the BLADEOS software is configured so that the management ports (MGTA and MGTB) are members of VLAN 4095 (the management VLAN).
- STG 128 is reserved for switch management.
- When using Spanning Tree, STG 2-128 may contain only one VLAN unless Multiple Spanning-Tree Protocol (MSTP) mode is used. With MSTP mode, STG 1 to 32 can include multiple VLANs.

VLAN Configuration Rules

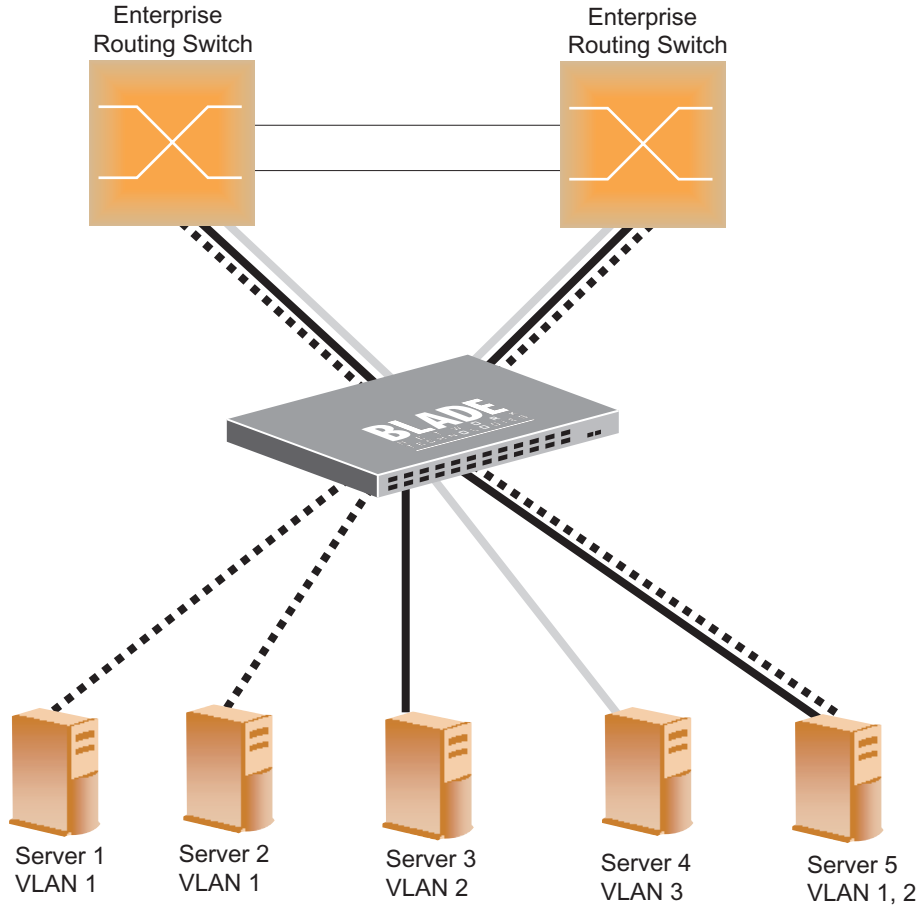
VLANs operate according to specific configuration rules. When creating VLANs, consider the following rules that determine how the configured VLAN reacts in any network topology:

- All ports involved in trunking and port mirroring must have the same VLAN configuration. If a port is on a trunk with a mirroring port, the VLAN configuration cannot be changed. For more information trunk groups, see [“Ports and Trunking” on page 101](#).
- All ports that are involved in port mirroring must have memberships in the same VLANs. If a port is configured for port mirroring, the port’s VLAN membership cannot be changed. For more information on configuring port mirroring, see [“Port Mirroring” on page 377](#).

Multiple VLANs with Tagging Adapters

Figure 6 illustrates a network topology described in Note – and the configuration example on page 97.

Figure 6 Multiple VLANs with VLAN-Tagged Gigabit Adapters



The features of this VLAN are described below:

Table 6-1 Multiple VLANs Example

Component	Description
G8124 switch	This switch is configured with three VLANs that represent three different IP subnets. Five ports are connected downstream to servers. Two ports are connected upstream to routing switches. Uplink ports are members of all three VLANs, with VLAN tagging enabled.
Server 1	This server is a member of VLAN 1 and has presence in only one IP subnet. The associated switch port is only a member of VLAN 1, so tagging is disabled.
Server 2	This server is a member of VLAN 1 and has presence in only one IP subnet. The associated switch port is only a member of VLAN 1, so tagging is disabled.
Server 3	This server belongs to VLAN 2, and it is logically in the same IP subnet as Server 5. The associated switch port has tagging disabled.
Server 4	A member of VLAN 3, this server can communicate only with other servers via a router. The associated switch port has tagging disabled.
Server 5	A member of VLAN 1 and VLAN 2, this server can communicate only with Server 1, Server 2, and Server 3. The associated switch port has tagging enabled.
Enterprise Routing switches	These switches must have all three VLANs (VLAN 1, 2, 3) configured. They can communicate with Server 1, Server 2, and Server 5 via VLAN 1. They can communicate with Server 3 and Server 5 via VLAN 2. They can communicate with Server 4 via VLAN 3. Tagging on switch ports is enabled.

Note – VLAN tagging is required only on ports that are connected to other switches or on ports that connect to tag-capable end-stations, such as servers with VLAN-tagging adapters.

VLAN Configuration Example

Use the following procedure to configure the example network shown in [Figure 6](#).

1. Enable VLAN tagging on server ports that support multiple VLANs.

```
RS G8124(config)# interface port 5
RS G8124(config-if)# tagging
RS G8124(config-if)# exit
```

2. Enable tagging on uplink ports that support multiple VLANs.

```
RS G8124(config)# interface port 19
RS G8124(config-if)# tagging
RS G8124(config-if)# exit
RS G8124(config)# interface port 20
RS G8124(config-if)# tagging
RS G8124(config-if)# exit
```

3. Configure the VLANs and their member ports.

```
RS G8124(config)# vlan 2
RS G8124(config-vlan)# enable
RS G8124(config-vlan)# member 3
RS G8124(config-vlan)# member 5
RS G8124(config-vlan)# member 19
RS G8124(config-vlan)# member 20
RS G8124(config-vlan)# exit
RS G8124(config)# vlan 3
RS G8124(config-vlan)# enable
RS G8124(config-vlan)# member 4,19,20
RS G8124(config-vlan)# exit
```

By default, all ports are members of VLAN 1, so configure only those ports that belong to other VLANs.

Private VLANs

Private VLANs provide Layer 2 isolation between the ports within the same broadcast domain. Private VLANs can control traffic within a VLAN domain, and provide port-based security for host servers.

Use Private VLANs to partition a VLAN domain into sub-domains. Each sub-domain is comprised of one primary VLAN and one or more secondary VLANs, as follows:

- **Primary VLAN**—carries unidirectional traffic downstream from promiscuous ports. Each Private VLAN configuration has only one primary VLAN. All ports in the Private VLAN are members of the primary VLAN.
- **Secondary VLAN**—Secondary VLANs are internal to a private VLAN domain, and are defined as follows:
 - **Isolated VLAN**—carries unidirectional traffic upstream from the host servers toward ports in the primary VLAN and the gateway. Each Private VLAN configuration can contain only one isolated VLAN.
 - **Community VLAN**—carries upstream traffic from ports in the community VLAN to other ports in the same community, and to ports in the primary VLAN and the gateway. Each Private VLAN configuration can contain multiple community VLANs.

After you define the primary VLAN and one or more secondary VLANs, you map the secondary VLAN(s) to the primary VLAN.

Private VLAN Ports

Private VLAN ports are defined as follows:

- **Promiscuous**—A promiscuous port is a port that belongs to the primary VLAN. The promiscuous port can communicate with all the interfaces, including ports in the secondary VLANs (Isolated VLAN and Community VLANs). Each promiscuous port can belong to only one Private VLAN.
- **Isolated**—An isolated port is a host port that belongs to an isolated VLAN. Each isolated port has complete layer 2 separation from other ports within the same private VLAN (including other isolated ports), except for the promiscuous ports.
 - Traffic sent to an isolated port is blocked by the Private VLAN, except the traffic from promiscuous ports.
 - Traffic received from an isolated port is forwarded only to promiscuous ports.
- **Community**—A community port is a host port that belongs to a community VLAN. Community ports can communicate with other ports in the same community VLAN, and with promiscuous ports. These interfaces are isolated at layer 2 from all other interfaces in other communities and from isolated ports within the Private VLAN.

Configuration Guidelines

The following guidelines apply when configuring Private VLANs:

- The default VLAN 1 cannot be a Private VLAN.
- The management VLAN 4095 cannot be a Private VLAN. The management port cannot be a member of a Private VLAN.
- IGMP Snooping must be disabled on isolated VLANs.
- Each secondary port's (isolated port and community ports) PVID must match its corresponding secondary VLAN ID.
- Ports within a secondary VLAN cannot be members of other VLANs.
- All VLANs that comprise the Private VLAN must belong to the same Spanning Tree Group.

Configuration Example

Follow this procedure to configure a Private VLAN.

1. Select a VLAN and define the Private VLAN type as primary.

```
RS G8124(config)# vlan 100
RS G8124(config-vlan)# enable
RS G8124(config-vlan)# member 2
RS G8124(config-vlan)# private-vlan type primary
RS G8124(config-vlan)# private-vlan enable
RS G8124(config-vlan)# exit
```

2. Configure a secondary VLAN and map it to the primary VLAN.

```
RS G8124(config)# vlan 110
RS G8124(config-vlan)# enable
RS G8124(config-vlan)# member 3
RS G8124(config-vlan)# member 4
RS G8124(config-vlan)# private-vlan type isolated
RS G8124(config-vlan)# private-vlan map 100
RS G8124(config-vlan)# private-vlan enable
RS G8124(config-vlan)# exit
```

3. Verify the configuration.

```
RS G8124(config)# show private-vlan
```

Private-VLAN	Type	Mapped-To	Status	Ports
100	primary	110	ena	2
110	isolated	100	ena	3-4

CHAPTER 7

Ports and Trunking

Trunk groups can provide super-bandwidth, multi-link connections between the RackSwitch G8124 (G8124) and other trunk-capable devices. A trunk group is a group of ports that act together, combining their bandwidth to create a single, larger virtual link. This chapter provides configuration background and examples for trunking multiple ports together:

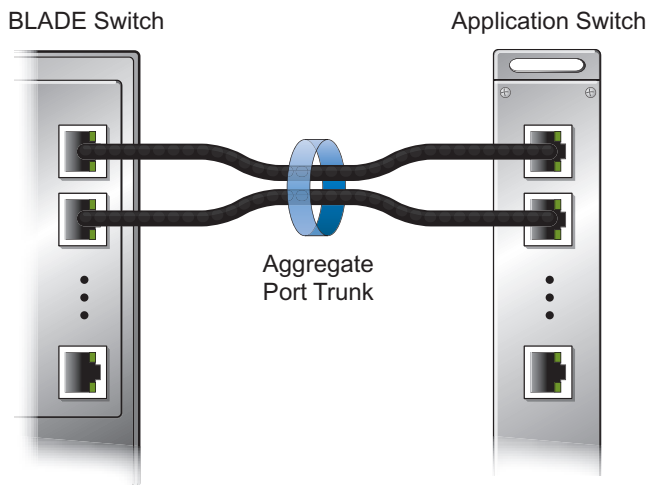
- [“Trunking Overview”](#) on this page
- [“Port Trunking Example”](#) on page 104
- [“Configurable Trunk Hash Algorithm”](#) on page 106
- [“Link Aggregation Control Protocol”](#) on page 107

Trunking Overview

When using port trunk groups between two switches, as shown in [Figure 7](#), you can create a virtual link between the switches, operating with combined throughput levels that depends on how many physical ports are included.

Each G8124 supports up to 12 trunk groups. Two trunk types are available: static trunk groups (portchannel), and dynamic LACP trunk groups. Each type can contain up to 8 member ports, depending on the port type and availability.

Figure 7 Port Trunk Group



Trunk groups are also useful for connecting a G8124 to third-party devices that support link aggregation, such as Cisco routers and switches with EtherChannel technology (*not* ISL trunking technology) and Sun's Quad Fast Ethernet Adapter. Trunk Group technology is compatible with these devices when they are configured manually.

Trunk traffic is statistically distributed among the ports in a trunk group, based on a variety of configurable options.

Also, since each trunk group is comprised of multiple physical links, the trunk group is inherently fault tolerant. As long as one connection between the switches is available, the trunk remains active and statistical load balancing is maintained whenever a port in a trunk group is lost or returned to service.

Before You Configure Static Trunks

When you create and enable a static trunk, the trunk members (switch ports) take on certain settings necessary for correct operation of the trunking feature.

Before you configure your trunk, you must consider these settings, along with specific configuration rules, as follows:

1. Read the configuration rules provided in the section, [“Trunk Group Configuration Rules” on page 104](#).
2. Determine which switch ports (up to 8) are to become *trunk members* (the specific ports making up the trunk).
3. Ensure that the chosen switch ports are set to enabled. Trunk member ports must have the same VLAN and Spanning Tree configuration.
4. Consider how the existing Spanning Tree will react to the new trunk configuration. See [Chapter 8, “Spanning Tree Protocols,”](#) for Spanning Tree Group configuration guidelines.
5. Consider how existing VLANs will be affected by the addition of a trunk.

Trunk Group Configuration Rules

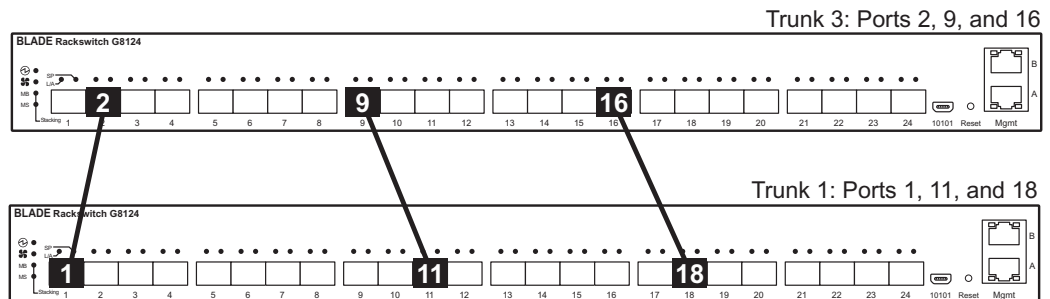
The trunking feature operates according to specific configuration rules. When creating trunks, consider the following rules that determine how a trunk group reacts in any network topology:

- All trunks must originate from one device, and lead to one destination device.
- Any physical switch port can belong to only one trunk group.
- Trunking from third-party devices must comply with Cisco® EtherChannel® technology.
- All ports in a trunk must have the same link configuration (speed, duplex, flow control), the same VLAN properties, and the same Spanning Tree, storm control, and ACL configuration. It is recommended that the ports in a trunk be members of the same VLAN.
- Each trunk inherits its port configuration (speed, flow control, tagging) from the first member port. As additional ports are added to the trunk, their settings must be changed to match the trunk configuration.
- When a port leaves a trunk, its configuration parameters are retained.
- You cannot configure a trunk member as a monitor port in a port-mirroring configuration.
- Trunks cannot be monitored by a monitor port; however, trunk members can be monitored.

Port Trunking Example

In the example below, three ports are trunked between two switches.

Figure 8 Port Trunk Group Configuration Example



Prior to configuring each switch in the above example, you must connect to the appropriate switches as the administrator.

Note – For details about accessing and using any of the commands described in this example, see the *RackSwitch G8124 ISCLI Reference*.

1. Follow these steps on the G8124:

a. Define a trunk group.

```
RS G8124(config)# portchannel 3 port 2,9,16
RS G8124(config)# portchannel 3 enable
```

b. Verify the configuration.

```
# show portchannel information
```

Examine the resulting information. If any settings are incorrect, make appropriate changes.

2. Repeat the process on the other switch.

```
RS G8124(config)# portchannel 1 port 1,11,18
RS G8124(config)# portchannel 1 enable
```

3. Connect the switch ports that will be members in the trunk group.

Trunk group 3 (on the G8124) is now connected to trunk group 1 (on the other switch).

Note – In this example, two G8124 switches are used. If a third-party device supporting link aggregation is used (such as Cisco routers and switches with EtherChannel technology or Sun's Quad Fast Ethernet Adapter), trunk groups on the third-party device should be configured manually. Connection problems could arise when using automatic trunk group negotiation on the third-party device.

4. Examine the trunking information on each switch.

```
# show portchannel information
PortChannel 3: Enabled
Protocol-Static
port state:
  2: STG 1 forwarding
  9: STG 1 forwarding
 16: STG 1 forwarding
```

Information about each port in each configured trunk group is displayed. Make sure that trunk groups consist of the expected ports and that each port is in the expected state.

The following restrictions apply:

- Any physical switch port can belong to only one trunk group.
- Up to 8 ports can belong to the same trunk group.
- All ports in static trunks must have the same link configuration (speed, duplex, flow control).
- Trunking from third-party devices must comply with Cisco® EtherChannel® technology.

Configurable Trunk Hash Algorithm

Traffic in a trunk group is statistically distributed among member ports using a *hash* process where various address and attribute bits from each transmitted frame are recombined to specify the particular trunk port the frame will use.

The switch can be configured to use a variety of hashing options. To achieve the most even traffic distribution, select options that exhibit a wide range of values for your particular network. Avoid hashing on information that is not usually present in the expected traffic, or which does not vary.

The G8124 supports the following hashing options:

- Layer 2 source MAC address

```
RS G8124(config)# portchannel hash source-mac-address
```

- Layer 2 destination MAC address

```
RS G8124(config)# portchannel hash destination-mac-address
```

- Layer 2 source and destination MAC address

```
RS G8124(config)# portchannel hash source-destination-mac
```

- Layer 3 IPv4/IPv6 source IP address

```
RS G8124(config)# portchannel hash source-ip-address
```

- Layer 3 IPv4/IPv6 destination IP address

```
RS G8124(config)# portchannel hash destination-ip-address
```

- Layer 3 source and destination IPv4/IPv6 address (the default)

```
RS G8124(config)# portchannel hash source-destination-ip
```

Note – Layer 3 hashing options (source IP address and destination IP address) enabled either for port trunk hashing or for ECMP route hashing (`ip route ecmphash`) apply to both the trunking and ECMP features (the enabled settings are cumulative). If trunk hashing behavior is not as expected, disable any unwanted options set in ECMP route hashing. Likewise, if ECMP route hashing behavior is not as expected, disable any unwanted options enabled in trunk hashing.

Link Aggregation Control Protocol

Link Aggregation Control Protocol (LACP) is an IEEE 802.3ad standard for grouping several physical ports into one logical port (known as a dynamic trunk group or Link Aggregation group) with any device that supports the standard. Please refer to IEEE 802.3ad-2002 for a full description of the standard.

The 802.3ad standard allows standard Ethernet links to form a single Layer 2 link using the Link Aggregation Control Protocol (LACP). Link aggregation is a method of grouping physical link segments of the same media type and speed in full duplex, and treating them as if they were part of a single, logical link segment. If a link in a LACP trunk group fails, traffic is reassigned dynamically to the remaining link(s) of the dynamic trunk group.

Note – LACP implementation in the BLADEOS does not support the Churn machine, an option used to detect if the port is operable within a bounded time period between the actor and the partner. Only the Marker Responder is implemented, and there is no marker protocol generator.

A port's Link Aggregation Identifier (LAG ID) determines how the port can be aggregated. The Link Aggregation ID (LAG ID) is constructed mainly from the *system ID* and the port's *admin key*, as follows:

- **System ID:** an integer value based on the switch's MAC address and the system priority assigned in the CLI.
- **Admin key:** a port's Admin key is an integer value (1-65535) that you can configure in the CLI. Each switch port that participates in the same LACP trunk group must have the same *admin key* value. The Admin key is *local significant*, which means the partner switch does not need to use the same Admin key value.

For example, consider two switches, an Actor (the G8124) and a Partner (another switch), as shown in [Table 10](#).

Table 10 Actor vs. Partner LACP configuration

Actor Switch	Partner Switch 1
Port 7 (admin key = 100)	Port 1 (admin key = 50)
Port 8 (admin key = 100)	Port 2 (admin key = 50)

In the configuration shown in [Table 10](#), Actor switch port 7 and port 8 aggregate to form an LACP trunk group with Partner switch port 1 and port 2.

LACP automatically determines which member links can be aggregated and then aggregates them. It provides for the controlled addition and removal of physical links for the link aggregation.

Each port on the switch can have one of the following LACP modes.

- off (default)
The user can configure this port in to a regular static trunk group.
- active
The port is capable of forming an LACP trunk. This port sends LACPDU packets to partner system ports.
- passive
The port is capable of forming an LACP trunk. This port only responds to the LACPDU packets sent from an LACP *active* port.

Each active LACP port transmits LACP data units (LACPDUs), while each passive LACP port listens for LACPDUs. During LACP negotiation, the admin key is exchanged. The LACP trunk group is enabled as long as the information matches at both ends of the link. If the admin key value changes for a port at either end of the link, that port's association with the LACP trunk group is lost.

When the system is initialized, all ports by default are in LACP *off* mode and are assigned unique *admin keys*. To make a group of ports aggregatable, you assign them all the same *admin key*. You must set the port's LACP mode to *active* to activate LACP negotiation. You can set other port's LACP mode to passive, to reduce the amount of LACPDU traffic at the initial trunk-forming stage.

Use the following command to check whether the ports are trunked:

```
RS G8124 # show lacp information
```

Configuring LACP

Use the following procedure to configure LACP for port 7 and port 8 to participate in link aggregation.

1. Configure port parameters. All ports that participate in the LACP trunk group must have the same settings, including VLAN membership.
2. Select the port rart and define the admin key. Only ports with the same admin key can form an LACP trunk group.

```
RS G8124(config)# interface port 7-8
RS G8124(config-if)# lacp key 100
```

3. Set the LACP mode.

```
RS G8124(config-if)# lacp mode active
RS G8124(config-if)# exit
```

CHAPTER 8

Spanning Tree Protocols

When multiple paths exist between two points on a network, Spanning Tree Protocol (STP), or one of its enhanced variants, can prevent broadcast loops and ensure that the RackSwitch G8124 (G8124) uses only the most efficient network path.

This chapter covers the following topics:

- [“Spanning Tree Protocol Modes” on page 109](#)
- [“Global STP Control” on page 110](#)
- [“STP/PVST+ Mode” on page 111](#)
- [“Rapid Spanning Tree Protocol” on page 124](#)
- [“Per-VLAN Rapid Spanning Tree Groups” on page 126](#)
- [“Multiple Spanning Tree Protocol” on page 127](#)
- [“Port Type and Link Type” on page 131](#)

Spanning Tree Protocol Modes

BLADEOS 6.5 supports the following STP modes:

- Spanning Tree Protocol/Per-VLAN Spanning Tree Plus (STP/PVST+)

STP as defined in IEEE 802.1D (1998) allows devices to detect and eliminate logical loops in a bridged or switched network. When multiple paths exist, STP configures the network so that only the most efficient path is used. If that path fails, STP automatically configures the best alternative active path on the network in order to sustain network operations.

BLADEOS STP/PVST+ supports multiple instances of Spanning Tree, allowing one Spanning Tree Group (STG) per VLAN and is compatible with Cisco PVST+ mode.

See [“STP/PVST+ Mode” on page 111](#) for details.

- Rapid Spanning Tree Protocol (RSTP)

IEEE 802.1D (2004) RSTP mode is an enhanced version of STP. It provides more rapid convergence of the Spanning Tree network path states on STG 1.

RSTP is the default Spanning Tree mode on the G8124. See [“Rapid Spanning Tree Protocol” on page 124](#) for details.

- Per-VLAN Rapid Spanning Tree (PVRST)

PVRST mode is based on RSTP to provide rapid Spanning Tree convergence, but allows for multiple STGs, with an STGs on a per-VLAN basis. PVRST mode is compatible with Cisco R-PVST/R-PVST+ mode.

See [“Per-VLAN Rapid Spanning Tree Groups” on page 126](#) for details.

- Multiple Spanning Tree Protocol (MSTP)

IEEE 802.1Q (2003) MSTP provides both rapid convergence and load balancing in a VLAN environment. MSTP allows multiple STGs, with multiple VLANs in each.

See [“Multiple Spanning Tree Protocol” on page 127](#) for details.

Depending on your preferred STG configurations:

Global STP Control

Note – By default, the Spanning Tree feature is globally enabled on the switch, and is set for RSTP mode. Spanning Tree (and thus any currently configured STP mode) can be globally disabled using the following command: If STP is globally disabled, the switch will use STP/PVST+ mode for

```
RS G8124(config)# spanning-tree mode disable
```

internal controls, but will disable Spanning Tree on all user-configurable STGs.

Spanning Tree can be re-enabled by specifying the STP mode:

```
RS G8124(config)# spanning-tree mode {pvst|rstp|pvrst|mst}
```

where the command options represent the following modes:

- `pvst`:STP/PVST+ mode
- `rstp`:RSTP mode
- `pvrst`:PVRST mode
- `mst`:MSTP mode

STP/PVST+ Mode

Using STP, network devices detect and eliminate logical loops in a bridged or switched network. When multiple paths exist, Spanning Tree configures the network so that a switch uses only the most efficient path. If that path fails, Spanning Tree automatically sets up another active path on the network to sustain network operations.

BLADEOS STP/PVST+ mode implements IEEE 802.1D (1998) Spanning Tree Protocol (STP) with enhancements that allow each VLAN to be assigned to one of 127 available STGs. STP/PVST+ uses IEEE 802.1Q for tagging STP data on a per-VLAN basis, and is compatible with Cisco PVST+ mode. For Cisco R-PVST/R-PVST+ compatibility, see [“Per-VLAN Rapid Spanning Tree Groups” on page 126](#).

The relationship between ports, trunk groups, VLANs, and Spanning Trees is shown in [Table 11](#).

Table 11 Ports, Trunk Groups, and VLANs

Switch Element	Belongs To
Port	Trunk group, or one or more VLANs
Trunk group	One or more VLANs
VLAN (non-default)	One VLAN per STG, or in enhanced modes: <ul style="list-style-type: none"> ■ RSTP: All VLANs are in STG 1 ■ PVRST: One VLAN per STG ■ MSTP: Multiple VLANs per STG

Port States

STP/PVRST+ mode employs a sequence of port states in the process: Listening, Learning, and Forwarding or Blocking. This process can result in inherent delays for resolving network paths.

To mitigate delays, you can use Port Fast Forwarding (see [“Port Fast Forwarding” on page 114](#)) to permit a port that participates in STP/PVST+ to bypass the Listening and Learning states and enter directly into the Forwarding state. While in the Forwarding state, the port listens to the BPDUs to learn if there is a loop and, if dictated by normal STG behavior (following priorities, and so on), the port transitions into the Blocking state.

This feature permits the G8124 to interoperate well within Rapid Spanning Tree networks.

Bridge Protocol Data Units

Bridge Protocol Data Units Overview

To create a Spanning Tree, the switch generates a configuration Bridge Protocol Data Unit (BPDU), which it then forwards out of its ports. All switches in the Layer 2 network participating in the Spanning Tree gather information about other switches in the network through an exchange of BPDUs.

A bridge sends BPDU packets at a configurable regular interval (2 seconds by default). The BPDU is used to establish a path, much like a hello packet in IP routing. BPDUs contain information about the transmitting bridge and its ports, including bridge MAC addresses, bridge priority, port priority, and path cost. If the ports are tagged, each port sends out a special BPDU containing the tagged information.

The generic action of a switch on receiving a BPDU is to compare the received BPDU to its own BPDU that it will transmit. If the received BPDU is better than its own BPDU, it will replace its BPDU with the received BPDU. Then, the switch adds its own bridge ID number and increments the path cost of the BPDU. The switch uses this information to block any necessary ports.

Determining the Path for Forwarding BPDUs

When determining which port to use for forwarding and which port to block, the G8124 uses information in the BPDU, including each bridge ID. A technique based on the “lowest root cost” is then computed to determine the most efficient path for forwarding.

Bridge Priority

The bridge priority parameter controls which bridge on the network is the STG root bridge. To make one switch become the root bridge, configure the bridge priority lower than all other switches and bridges on your network. The lower the value, the higher the bridge priority. Use the following command to configure the bridge priority:

```
RS G8124(config)# spanning-tree stp <x> bridge priority <0-65535>
```


Port Priority

The port priority helps determine which bridge port becomes the root port or the designated port. The case for the root port is when two switches are connected using a minimum of two links with the same path-cost. The case for the designated port is in a network topology that has multiple bridge ports with the same path-cost connected to a single segment, the port with the lowest port priority becomes the designated port for the segment. Use the following command to configure the port priority:

```
RS G8124(config)# spanning-tree stp <STG> priority <priority value>
```

Note – where *priority value* is a number from 0 to 255. For RSTP, MSTP, and PVRST modes, port priority must be specified in increments of 16.

Port Path Cost

The port path cost assigns lower values to high-bandwidth ports, such as 10 Gigabit Ethernet, to encourage their use. The objective is to use the fastest links so that the route with the lowest cost is chosen. A value of 0 (the default) indicates that the default cost will be computed for an auto-negotiated link or trunk speed.

Use the following command to modify the port path cost:

```
RS G8124(config)# interface port <port number>
RS G8124(config-if)# spanning-tree stp <STG> path-cost <path cost value>
RS G8124(config-if)# exit
```

The port path cost varies, depending on Spanning Tree mode, as follows:

- STP/PVST+: 1-65535
- RSTP/PVRST/MSTP: 1-200000000 (0 = automatic path cost)

Fast Uplink Convergence

Fast Uplink Convergence enables the G8124 to quickly recover from the failure of the primary link or trunk group in a Layer 2 network using STP/PVST+ mode. Normal recovery can take as long as 50 seconds, while the backup link transitions from Blocking to Listening to Learning and then Forwarding states. With Fast Uplink Convergence enabled, the G8124 immediately places the secondary path into Forwarding state, and multicasts the addresses in the forwarding database (FDB) and ARP table over the secondary link so that upstream switches can learn the new path.

Note – In order for Fast Uplink Convergence to be functional, the switch must be running in STP/PVST mode and must be linked to switches running STP, PVST, or PVST+.

Fast Uplink Configuration Guidelines

When you enable Fast Uplink Convergence, BLADEOS automatically makes the following configuration changes:

- The bridge priority is set to 65535 so that it does not become the root switch.
- The cost of all ports is increased by 3000, across all VLANs and STGs. This ensures that traffic never flows through the G8124 to get to another switch unless there is no other path.

These changes are reversed if the feature is disabled.

Configuring Fast Uplink Convergence

Use the following command to enable Fast Uplink Convergence on ports.

```
RS G8124(config)# spanning-tree uplinkfast
```

Port Fast Forwarding

Port Fast Forwarding permits a port in STP/PVST+ mode to bypass the Listening and Learning states and enter directly into the Forwarding state. While in the Forwarding state, the port listens to the BPDUs to learn if there is a loop and, if dictated by normal STG behavior (following priorities, etc.), the port transitions into the Blocking state. This feature permits the G8124 to interoperate well within Rapid Spanning Tree (RSTP) networks.

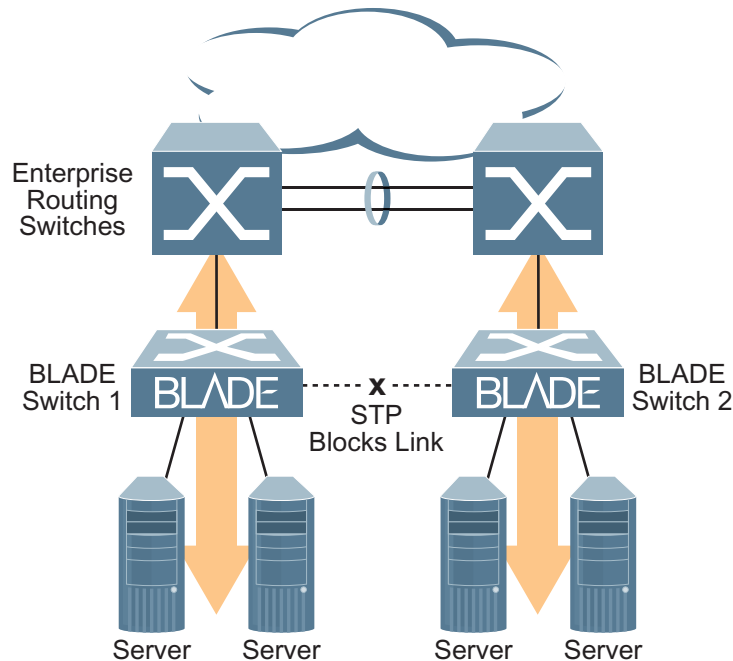
Use the following commands to configure Port Fast Forwarding for a specific STG on a selected port:

```
RS G8124(config)# interface port <port number>
RS G8124(config-if)# [no] spanning-tree stp <STG number> fastforward
RS G8124(config-if)# exit
```

Simple STP Configuration

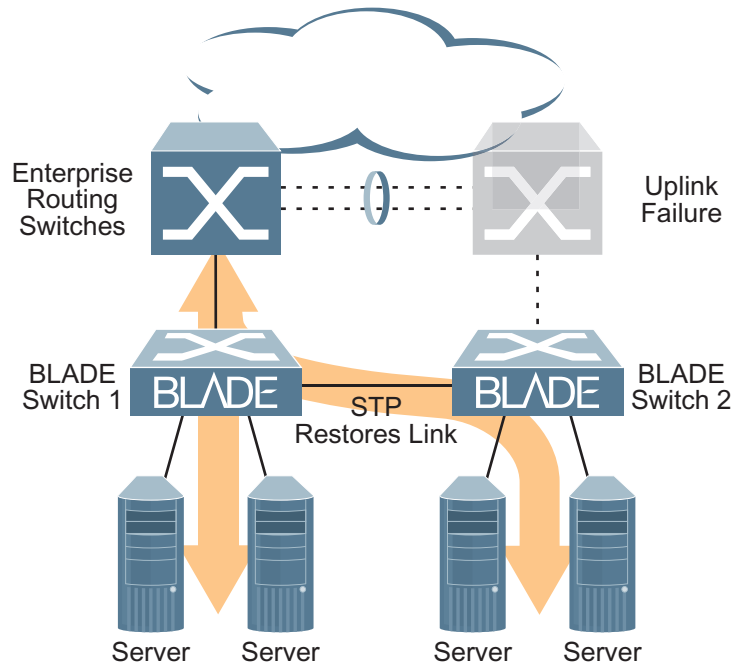
Figure 9 depicts a simple topology using a switch-to-switch link between two G8124 1 and 2.

Figure 9 Spanning Tree Blocking a Switch-to-Switch Link



To prevent a network loop among the switches, STP must block one of the links between them. In this case, it is desired that STP block the link between the BLADE switches, and not one of the G8124 uplinks or the Enterprise switch trunk.

During operation, if one G8124 experiences an uplink failure, STP will activate the BLADE switch-to-switch link so that server traffic on the affected G8124 may pass through to the active uplink on the other G8124, as shown in Figure 10.

Figure 10 Spanning Tree Restoring the Switch-to-Switch Link

In this example, port 10 on each G8124 is used for the switch-to-switch link. To ensure that the G8124 switch-to-switch link is blocked during normal operation, the port path cost is set to a higher value than other paths in the network. To configure the port path cost on the switch-to-switch links in this example, use the following commands on each G8124.

```
RS G8124(config)# interface port 10
RS G8124(config-if)# spanning-tree stp 1 path-cost 60000
RS G8124(config-if)# exit
```

Per-VLAN Spanning Tree Groups

STP/PVST+ mode supports a maximum of 127 STGs, with each STG acting as an independent, simultaneous instance of STP.

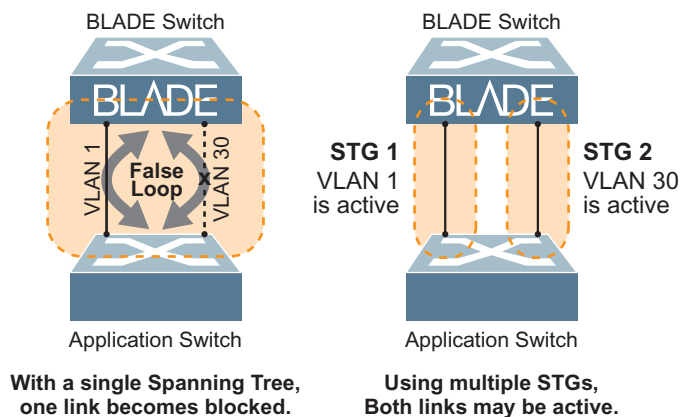
Multiple STGs provide multiple data paths which can be used for load-balancing and redundancy. To enable load balancing between two G8124s using multiple STGs, configure each path with a different VLAN and then assign each VLAN to a separate STG. Since each STG is independent, they each send their own IEEE 802.1Q tagged Bridge Protocol Data Units (BPDUs).

Each STG behaves as a bridge group and forms a loop-free topology. The default STG 1 automatically contains any newly configured VLANs until they can be assigned to another STG. STGs 2-128 may contain only one VLAN each.

Using Multiple STGs to Eliminate False Loops

Figure 11 shows a simple example of why multiple STGs are needed. In the figure, two ports on a G8124 are connected to two ports on an application switch. Each of the links is configured for a different VLAN, preventing a network loop. However, in the first network, since a single instance of Spanning Tree is running on all the ports of the G8124, a physical loop is assumed to exist, and one of the VLANs is blocked, impacting connectivity even though no actual loop exists.

Figure 11 Using Multiple Instances of Spanning Tree Group



In the second network, the problem of improper link blocking is resolved when the VLANs are placed into different Spanning Tree Groups (STGs). Since each STG has its own independent instance of Spanning Tree, each STG is responsible only for the loops within its own VLAN. This eliminates the false loop, and allows both VLANs to forward packets between the switches at the same time.

STP/PVST+ Defaults and Guidelines

In STP/PVST+ configuration, up to 128 STGs are available on the switch.

STG 1 is the default STG. Although ports can be added to or deleted from default STG 1, the STG itself cannot be deleted from the system.

By default, STG 1 is enabled and includes VLAN 1 and all ports on the switch (except for management VLANs and ports). Any newly created VLANs will automatically belong to STG 1 until assigned to another STG.

STG 128 is reserved for switch management. By default, STG 128 is disabled, but includes management VLAN 4095 and the management ports (MGMT-A and MGMT-B).

By default, all other STGs (STG 2 through 127) are enabled, though they include no member VLANs or ports. VLANs must be assigned to STGs by the administrator, but ports cannot be added directly to an STG. Instead, ports must be added as members of a VLAN, and the VLAN must then be assigned to the STG. Whenever a VLAN is assigned to a new STG, the VLAN is automatically removed from its prior STG.

If ports are tagged, each tagged port sends out a special BPDU containing the tagged information. Also, when a tagged port belongs to more than one STG, the egress BPDUs are tagged to distinguish the BPDUs of one STG from those of another STG.

Adding a VLAN to a Spanning Tree Group

- If no VLANs exist (other than default VLAN 1), see [“Creating a VLAN” on page 119](#) for information creating VLANs and assigning ports to them.
- Otherwise, assign a VLAN to an STG using the following command:

```
RS G8124(config)# spanning-tree stp <STG number> vlan <VLAN number>
```

Note – For proper operation with switches that use Cisco PVST+, it is recommended that you create a separate STG for each VLAN.

Creating a VLAN

- When you create a VLAN, that VLAN automatically belongs to STG 1, the default STG. To place the VLAN in a different STG, follow these steps:
 - Create the VLAN.
 - Add the VLAN to an existing STG.

The VLAN is automatically removed from its old STG before being placed into the new STG.

- Each VLANs must be contained *within* a single STG; a VLAN cannot span multiple STGs. By confining VLANs within a single STG, you avoid problems with Spanning Tree blocking ports and causing a loss of connectivity within the VLAN. When a VLAN spans multiple switches, it is recommended that the VLAN remain within the same STG (be assigned the same STG ID) across all the switches.
- If ports are tagged, all trunked ports can belong to multiple STGs.
- A port cannot be directly added to an STG. The port must first be added to a VLAN, and that VLAN added to the desired STG.

Rules for VLAN Tagged Ports

- Tagged ports can belong to more than one STG, but untagged ports can belong to only one STG.
- When a tagged port belongs to more than one STG, the egress BPDUs are tagged to distinguish the BPDUs of one STG from those of another STG.

Adding and Removing Ports from STGs

- When you add a port to a VLAN that belongs to an STG, the port is also added to that STG. However, if the port you are adding is an untagged port and is already a member of another STG, that port will be removed from its current STG and added to the new STG. An untagged port cannot belong to more than one STG.

For example: Assume that VLAN 1 belongs to STG 1, and that port 1 is untagged and does not belong to any STG. When you add port 1 to VLAN 1, port 1 will automatically become part of STG 1.

However, if port 5 is untagged and is a member of VLAN 3 in STG 2, then adding port 5 to VLAN 1 in STG 1 will change the port PVID from 3 to 1:

"Port 5 is an UNTAGGED port and its PVID changed from 3 to 1."
--

- When you remove a port from a VLAN that belongs to an STG, that port will also be removed from the STG. However, if that port belongs to another VLAN in the same STG, the port remains in the STG.

As an example, assume that port 2 belongs to only VLAN 2, and that VLAN 2 belongs to STG 2. When you remove port 2 from VLAN 2, the port is moved to default VLAN 1 and is removed from STG 2.

However, if port 2 belongs to both VLAN 1 and VLAN 2, and both VLANs belong to STG 2, removing port 2 from VLAN 2 does not remove port 2 from STG 1, because the port is still a member of VLAN 1, which is still a member of STG 1.

- An STG cannot be deleted, only disabled. If you disable the STG while it still contains VLAN members, Spanning Tree will be off on all ports belonging to that VLAN.

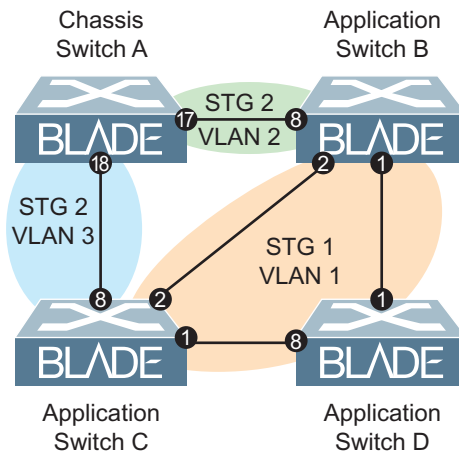
The relationship between port, trunk groups, VLANs, and Spanning Trees is shown in [Table 11 on page 111](#).

Switch-Centric Configuration

STP/PVST+ is switch-centric: STGs are enforced only on the switch where they are configured. The STG ID is not transmitted in the Spanning Tree BPDU. Each Spanning Tree decision is based entirely on the configuration of the particular switch.

For example, in [Figure 12](#), though VLAN 2 is shared by the Switch A and Switch B, each switch is responsible for the proper configuration of its own ports, VLANs, and STGs. Switch A identifies its own port 17 as part of VLAN 2 on STG 2, and the Switch B identifies its own port 8 as part of VLAN 2 on STG 2.

Figure 12 Implementing Multiple Spanning Tree Groups



The VLAN participation for each Spanning Tree Group in [Figure 12 on page 121](#) is as follows:

- **VLAN 1 Participation**
Assuming Switch B to be the root bridge, Switch B transmits the BPDU for VLAN 1 on ports 1 and 2. Switch C receives the BPDU on port 2, and Switch D receives the BPDU on port 1. Because there is a network loop between the switches in VLAN 1, either Switch D will block port 8 or Switch C will block port 1, depending on the information provided in the BPDU.
- **VLAN 2 Participation**
Switch B, the root bridge, generates a BPDU for STG 2 from port 8. Switch A receives this BPDU on port 17, which is assigned to VLAN 2, STG 2. Because switch B has no additional ports participating in STG 2, this BPDU is not forwarded to any additional ports and Switch B remains the designated root.
- **VLAN 3 Participation**
For VLAN 3, Switch A or Switch C may be the root bridge. If Switch A is the root bridge for VLAN 3, STG 2, then Switch A transmits the BPDU from port 18. Switch C receives this BPDU on port 8 and is identified as participating in VLAN 3, STG 2. Since Switch C has no additional ports participating in STG 2, this BPDU is not forwarded to any additional ports and Switch A remains the designated root.

Configuring Multiple STGs

This configuration shows how to configure the three instances of STGs on the switches A, B, C, and D illustrated in [Figure 12 on page 121](#).

By default Spanning Trees 2 to 127 are empty, and STG 1 contains all configured VLANs until individual VLANs are explicitly assigned to other STGs.

1. Configure the following on Switch A:

Add port 17 to VLAN 2, port 18 to VLAN 3, and define STG 2 for VLAN 2 and VLAN 3.

```
RS G8124(config)# vlan 2
RS G8124(config-vlan)# enable
RS G8124(config-vlan)# member 17
RS G8124(config-vlan)# exit
RS G8124(config)# vlan 3
RS G8124(config-vlan)# enable
RS G8124(config-vlan)# member 18
RS G8124(config-vlan)# exit
RS G8124(config)# spanning-tree stp 2 vlan 2,3
```

VLAN 2 and VLAN 3 are removed from STG 1.

Note – In STP/PVST+ mode, each instance of STG is enabled by default.

2. Configure the following on Switch B:

Add port 8 to VLAN 2 and define STG 2 for VLAN 2.

```
RS G8124(config)# vlan 2
RS G8124(config-vlan)# enable
RS G8124(config-vlan)# member 8
RS G8124(config-vlan)# exit
RS G8124(config)# spanning-tree stp 2 vlan 2
```

VLAN 2 is automatically removed from STG 1. By default VLAN 1 remains in STG 1.

3. Configure the following on application switch C:

Add port 8 to VLAN 3 and define STG 2 for VLAN 3.

```
RS G8124(config)# vlan 3
RS G8124(config-vlan)# enable
RS G8124(config-vlan)# member 8
RS G8124(config-vlan)# exit
RS G8124(config)# spanning-tree stp 2 vlan 3
```

VLAN 3 is automatically removed from STG 1. By default VLAN 1 remains in STG 1.

4. Switch D does not require any special configuration for multiple Spanning Trees. Switch D uses default STG 1 only.

Rapid Spanning Tree Protocol

Note – Rapid Spanning Tree Protocol (RSTP) is enabled by default on the G8124.

RSTP provides rapid convergence of the Spanning Tree and provides the fast re-configuration critical for networks carrying delay-sensitive traffic such as voice and video. RSTP significantly reduces the time to reconfigure the active topology of the network when changes occur to the physical topology or its configuration parameters. RSTP reduces the bridged-LAN topology to a single Spanning Tree.

RSTP was originally defined in IEEE 802.1w (2001) and was later incorporated into IEEE 802.1D (2004), superseding the original STP standard.

RSTP parameters apply only to Spanning Tree Group (STG) 1. The STP/PVST+ mode STGs 2-128 are not used when the switch is placed in RSTP mode. Although many of the other STP/PVST+ options apply to RSTP as well, there are also new STP parameters to support RSTP, and some values for existing parameters are different.

RSTP is compatible with devices that run IEEE 802.1D (1998) Spanning Tree Protocol. If the switch detects IEEE 802.1D (1998) BPDUs, it responds with IEEE 802.1D (1998)-compatible data units. RSTP is not compatible with Per-VLAN Rapid Spanning Tree (PVRST) protocol.

Port State Changes

The port state controls the forwarding and learning processes of Spanning Tree. In RSTP, the port state has been consolidated to the following: discarding, learning, and forwarding. [Table 12](#) compares the port states between STP/PVST+ mode and RSTP mode.

Table 12 RSTP vs. STP Port states

Operational Status	STP Port State	RSTP Port State
Enabled	Blocking	Discarding
Enabled	Listening	Discarding
Enabled	Learning	Learning
Enabled	Forwarding	Forwarding
Disabled	Disabled	Discarding

Due to Spanning Tree's sequence of discarding, learning, and forwarding, considerable delays may occur while paths are being resolved. To mitigate delays, ports defined as *edge* ports ("[Port Type and Link Type](#)" on page 131) may bypass the Discarding and Learning states, and enter directly into the Forwarding state.

RSTP Configuration Guidelines

This section provides important information about configuring RSTP. When RSTP is turned on, the following occurs:

- STP parameters apply only to STG 1.
- Only STG 1 is available. All other STGs are turned off.
- All VLANs, including management VLANs, are moved to STG 1.

RSTP Configuration Example

This section provides steps to configure RSTP.

Note – Rapid Spanning Tree is the default Spanning Tree mode on the G8124.

1. Configure port and VLAN membership on the switch.
2. Set the Spanning Tree mode to Rapid Spanning Tree.

```
RS G8124(config)# spanning-tree mode rstp
```

3. Configure STP Group 1 parameters.

```
RS G8124(config)# spanning-tree stp 1 enable  
RS G8124(config)# spanning-tree stp 1 vlan 2
```

Per-VLAN Rapid Spanning Tree Groups

PVRST is based on IEEE 802.1w Rapid Spanning Tree Protocol (RSTP). Like RSTP, PVRST mode provides rapid Spanning Tree convergence. However, similar to the way standard STP is enhanced by PVST+ (see [“Per-VLAN Spanning Tree Groups” on page 117](#)), PVRST is enhanced to allow per-VLAN STGs on the switch.

In PVRST mode, each VLAN may be assigned to one of 128 STGs, with each STG acting as an independent, simultaneous instance of STP. PVRST uses IEEE 802.1Q tagging to differentiate STP BPDUs.

PVRST mode is compatible with Cisco R-PVST/R-PVST+.

Configuring PVRST

This configuration shows how to configure PVRST for VLAN 1 assigned to STG 1, and VLAN2 assigned to STG 2.

1. Set the Spanning Tree mode to PVRST.

```
RS G8124(config)# spanning-tree mode pvrst
```

2. Configure port membership for each VLAN, then define the STGs for each VLAN.

By default, port 1 is a member of VLAN 1, which automatically assigned to STG 1, so no additional configuration is required for STG 1. However, for STG 2, port 2 if first added to VLAN 2, and then VLAN 2 is assigned to STG 2.

```
RS G8124(config)# vlan 2  
RS G8124(config-vlan)# enable  
RS G8124(config-vlan)# member 2  
RS G8124(config-vlan)# stg 2  
RS G8124(config-vlan)# exit
```

Multiple Spanning Tree Protocol

Multiple Spanning Tree Protocol (MSTP) extends Rapid Spanning Tree Protocol (RSTP), allowing multiple Spanning Tree Groups (STGs) which may each include multiple VLANs. MSTP was originally defined in IEEE 802.1s (2002) and was later included in IEEE 802.1Q (2003).

In MSTP mode, the G8124 supports up to 32 instances of Spanning Tree, corresponding to STGs 1-32, with each STG acting as an independent, simultaneous instance of STP.

MSTP allows frames assigned to different VLANs to follow separate paths, with each path based on an independent Spanning Tree instance. This approach provides multiple forwarding paths for data traffic, thereby enabling load-balancing, and reducing the number of Spanning Tree instances required to support a large number of VLANs.

Due to Spanning Tree's sequence of discarding, learning, and forwarding, lengthy delays may occur while paths are being resolved. Ports defined as *edge* ports ("[Port Type and Link Type](#)" on [page 131](#)) bypass the Discarding and Learning states, and enter directly into the Forwarding state.

Note – In MSTP mode, Spanning Tree for the management ports is turned off by default.

MSTP Region

A group of interconnected bridges that share the same attributes is called an MST region. Each bridge within the region must share the following attributes:

- Alphanumeric name
- Revision number
- VLAN-to STG mapping scheme

MSTP provides rapid re-configuration, scalability and control due to the support of regions, and multiple Spanning-Tree instances support within each region.

Common Internal Spanning Tree

The Common Internal Spanning Tree (CIST) provides a common form of Spanning Tree Protocol, with one Spanning-Tree instance that can be used throughout the MSTP region. CIST allows the switch to interoperate with legacy equipment, including devices that run IEEE 802.1D (1998) STP.

CIST allows the MSTP region to act as a virtual bridge to other bridges outside of the region, and provides a single Spanning-Tree instance to interact with them.

CIST port configuration includes Hello time, path-cost, and interface priority. These parameters do not affect Spanning Tree Groups 1-32. They apply only when the CIST is used.

MSTP Configuration Guidelines

This section provides important information about configuring Multiple Spanning Tree Groups:

- When MSTP is turned on, the switch automatically moves all VLANs to the CIST. When MSTP is turned off, the switch moves all VLANs from the CIST to STG 1.
- When you enable MSTP, you must configure the Region Name. A default version number of 1 is configured automatically.
- Each bridge in the region must have the same name, version number, and VLAN mapping.

MSTP Configuration Example 1

This section provides steps to configure MSTP on the G8124.

1. Configure port and VLAN membership on the switch.
2. Set the mode to Multiple Spanning Tree, and configure MSTP region parameters.

```
RS G8124(config)# spanning-tree mode mst  
RS G8124(config)# spanning-tree mstp name <name>
```

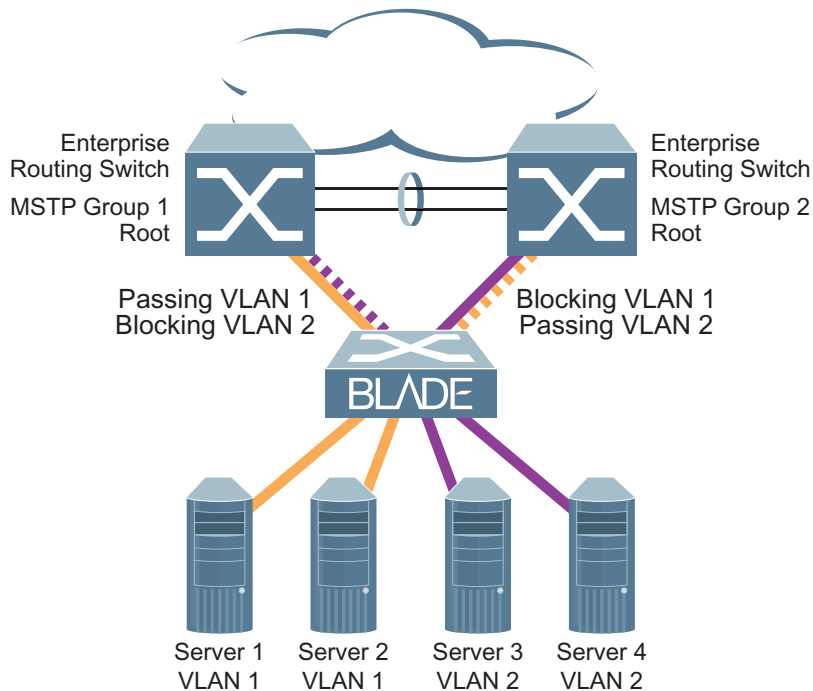
3. Assign VLANs to Spanning Tree Groups.

```
RS G8124(config)# vlan 2  
RS G8124(config-vlan)# stg 2  
RS G8124(config-vlan)# exit
```


MSTP Configuration Example 2

This configuration shows how to configure MSTP Groups on the switch, as shown in [Figure 12](#).

Figure 13 Implementing Multiple Spanning Tree Groups



This example shows how multiple Spanning Trees can provide redundancy without wasting any uplink ports. In this example, the server ports are split between two separate VLANs. Both VLANs belong to two different MSTP groups. The Spanning Tree *priority* values are configured so that each routing switch is the root for a different MSTP instance. All of the uplinks are active, with each uplink port backing up the other.

1. Configure port membership and define the STGs for VLAN 1. Enable tagging on uplink ports that share VLANs. Port 19 and port 20 connect to the Enterprise Routing switches.

```
RS G8124(config)# interface port 19
RS G8124(config-if)# tagging
RS G8124(config-if)# exit
RS G8124(config)# interface port 20
RS G8124(config-if)# tagging
RS G8124(config-if)# exit
```

2. Add server ports 1 and 2 to VLAN 1. Add uplink ports 19 and port 20 to VLAN 1.

```
RS G8124(config)# vlan 1
RS G8124(config-vlan)# enable
RS G8124(config-vlan)# member 1,2,19,20
RS G8124(config-vlan)# stg 1
RS G8124(config-vlan)# exit
```

3. Configure MSTP: Spanning Tree mode, region name, and version.

```
RS G8124(config)# spanning-tree mstp name MyRegion
RS G8124(config)# spanning-tree mode mst
RS G8124(config)# spanning-tree mstp version 100
```

4. Configure port membership and define the STGs for VLAN 2. Add server ports 3, 4, and 5 to VLAN 2. Add uplink ports 19 and 20 to VLAN 2. Assign VLAN 2 to STG 2.

```
RS G8124(config)# vlan 2
RS G8124(config-vlan)# enable
RS G8124(config-vlan)# member 3,4,5,19,20
RS G8124(config-vlan)# stg 2
RS G8124(config-vlan)# exit
```

Note – Each STG is enabled by default.

Port Type and Link Type

For use in RSTP, MSTP, and PVRST modes, BLADEOS Spanning Tree configuration includes parameters for edge port and link type.

Note – Although edge port and link type parameters are configured with global commands on ports, they only take effect when RSTP, MSTP, or PVRST is turned on.

Edge Port

A port that does not connect to a bridge is called an *edge port*. Since edge ports are assumed to be connected to non-STP devices (such as directly to hosts or servers), they are placed in the forwarding state as soon as the link is up.

Edge ports send BPDUs to upstream STP devices like normal STP ports, but should not receive BPDUs. If a port with `edge` enabled does receive a BPDU, it immediately begins working as a normal (non-edge) port, and participates fully in Spanning Tree.

Use the following commands to define or clear a port as an edge port:

```
RS G8124(config)# interface port <port>
RS G8124(config-if)# [no] spanning-tree edge
RS G8124(config-if)# exit
```

Link Type

The link type determines how the port behaves in regard to Rapid Spanning Tree. Use the following commands to define the link type for the port:

```
RS G8124(config)# interface port <port>
RS G8124(config-if)# [no] spanning-tree link-type <type>
RS G8124(config-if)# exit
```

where *type* corresponds to the duplex mode of the port, as follows:

- `p2p` A full-duplex link to another device (point-to-point)
- `shared` A half-duplex link is a shared segment and can contain more than one device.
- `auto` The switch dynamically configures the link type.

Note – Any STP port in full-duplex mode can be manually configured as a shared port when connected to a non-STP-aware shared device (such as a typical Layer 2 switch) used to interconnect multiple STP-aware devices.

CHAPTER 9

Quality of Service

Quality of Service features allow you to allocate network resources to mission-critical applications at the expense of applications that are less sensitive to such factors as time delays or network congestion. You can configure your network to prioritize specific types of traffic, ensuring that each type receives the appropriate Quality of Service (QoS) level.

The following topics are discussed in this section:

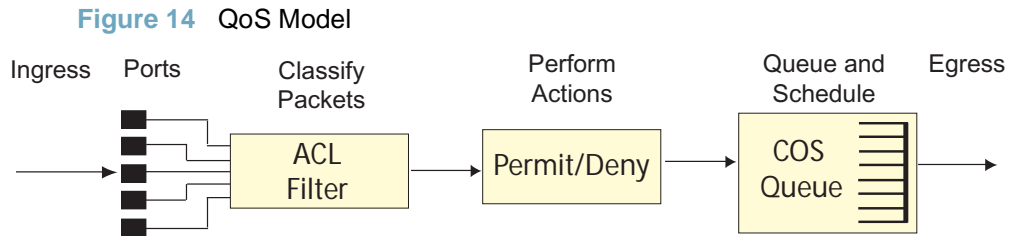
- [“QoS Overview” on page 133](#)
- [“Using ACL Filters” on page 135](#)
- [“Using DSCP Values to Provide QoS” on page 137](#)
- [“Using 802.1p Priority to Provide QoS” on page 142](#)
- [“Queuing and Scheduling” on page 143](#)

QoS Overview

QoS helps you allocate guaranteed bandwidth to the critical applications, and limit bandwidth for less critical applications. Applications such as video and voice must have a certain amount of bandwidth to work correctly; using QoS, you can provide that bandwidth when necessary. Also, you can put a high priority on applications that are sensitive to timing out or that cannot tolerate delay, by assigning their traffic to a high-priority queue.

By assigning QoS levels to traffic flows on your network, you can ensure that network resources are allocated where they are needed most. QoS features allow you to prioritize network traffic, thereby providing better service for selected applications.

Figure 14 shows the basic QoS model used by the switch.



The basic QoS model works as follows:

- **Classify traffic:**
 - Read DSCP value.
 - Read 802.1p priority value.
 - Match ACL filter parameters.
- **Perform actions:**
 - Define bandwidth and burst parameters
 - Select actions to perform on in-profile and out-of-profile traffic
 - Deny packets
 - Permit packets
 - Mark DSCP or 802.1p Priority
 - Set COS queue (with or without re-marking)
- **Queue and schedule traffic:**
 - Place packets in one of the COS queues.
 - Schedule transmission based on the COS queue.

Using ACL Filters

Access Control Lists (ACLs) are filters that allow you to classify and segment traffic, so you can provide different levels of service to different traffic types. Each filter defines the conditions that must match for inclusion in the filter, and also the actions that are performed when a match is made.

BLADEOS 6.5 supports up to 127 ACLs when the switch is operating in the Balanced deployment mode (see [“Deployment Profiles” on page 147](#)). ACL menus and commands are not available in the Routing deployment mode.

The G8124 allows you to classify packets based on various parameters. For example:

- Ethernet: source MAC, destination MAC, VLAN number/mask, Ethernet type, priority.
- IPv4: Source IP address/mask, destination address/mask, type of service, IP protocol number.
- TCP/UDP: Source port, destination port, TCP flag.
- Packet format

For ACL details, see [“Access Control Lists” on page 75](#).

Summary of ACL Actions

Actions determine how the traffic is treated. The G8124 QoS actions include the following:

- Pass or Drop
- Re-mark a new DiffServ Code Point (DSCP)
- Re-mark the 802.1p field
- Set the COS queue

ACL Metering and Re-Marking

You can define a profile for the aggregate traffic flowing through the G8124 by configuring a QoS meter (if desired) and assigning ACLs to ports. When you add ACLs to a port, make sure they are ordered correctly in terms of precedence.

Actions taken by an ACL are called *In-Profile* actions. You can configure additional In-Profile and Out-of-Profile actions on a port. Data traffic can be metered, and re-marked to ensure that the traffic flow provides certain levels of service in terms of bandwidth for different types of network traffic.

Metering

QoS metering provides different levels of service to data streams through user-configurable parameters. A meter is used to measure the traffic stream against a traffic profile, which you create. Thus, creating meters yields In-Profile and Out-of-Profile traffic for each ACL, as follows:

- **In-Profile**—If there is no meter configured or if the packet conforms to the meter, the packet is classified as In-Profile.
- **Out-of-Profile**—If a meter is configured and the packet does not conform to the meter (exceeds the committed rate or maximum burst rate of the meter), the packet is classified as Out-of-Profile.

Using meters, you set a Committed Rate in Kbps (multiples of 64 Mbps). All traffic within this Committed Rate is In-Profile. Additionally, you set a Maximum Burst Size that specifies an allowed data burst larger than the Committed Rate for a brief period. These parameters define the In-Profile traffic.

Meters keep the sorted packets within certain parameters. You can configure a meter on an ACL, and perform actions on metered traffic, such as packet re-marking.

Re-Marking

Re-marking allows for the treatment of packets to be reset based on new network specifications or desired levels of service. You can configure the ACL to re-mark a packet as follows:

- Change the DSCP value of a packet, used to specify the service level traffic should receive.
- Change the 802.1p priority of a packet.

Using DSCP Values to Provide QoS

The switch uses the Differentiated Services (DiffServ) architecture to provide QoS functions. DiffServ is described in IETF RFCs 2474 and 2475.

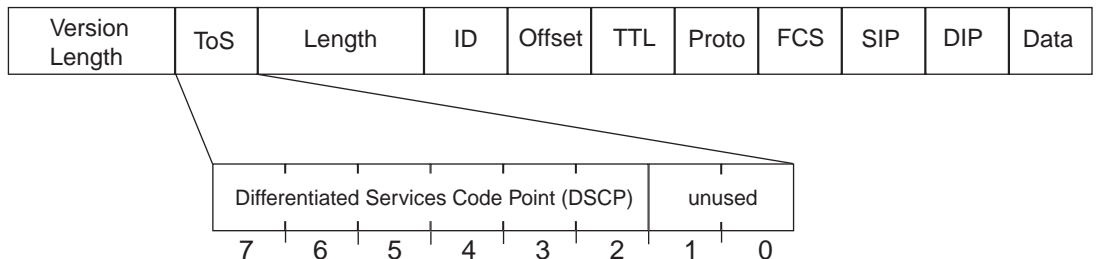
The six most significant bits in the TOS byte of the IP header are defined as DiffServ Code Points (DSCP). Packets are marked with a certain value depending on the type of treatment the packet must receive in the network device. DSCP is a measure of the Quality of Service (QoS) level of the packet.

The switch can classify traffic by reading the DiffServ Code Point (DSCP) or IEEE 802.1p priority value, or by using filters to match specific criteria. When network traffic attributes match those specified in a traffic pattern, the policy instructs the switch to perform specified actions on each packet that passes through it. The packets are assigned to different Class of Service (COS) queues and scheduled for transmission.

Differentiated Services Concepts

To differentiate between traffic flows, packets can be classified by their DSCP value. The Differentiated Services (DS) field in the IP header is an octet, and the first six bits, called the DS Code Point (DSCP), can provide QoS functions. Each packet carries its own QoS state in the DSCP. There are 64 possible DSCP values (0-63).

Figure 15 Layer 3 IPv4 packet



The switch can perform the following actions to the DSCP:

- Read the DSCP value of ingress packets.
- Re-mark the DSCP value to a new value
- Map the DSCP value to a Class of Service queue (COSq).

The switch can use the DSCP value to direct traffic prioritization.

With DiffServ, you can establish policies to direct traffic. A policy is a traffic-controlling mechanism that monitors the characteristics of the traffic, (for example, its source, destination, and protocol) and performs a controlling action on the traffic when certain characteristics are matched.

Per Hop Behavior

The DSCP value determines the Per Hop Behavior (PHB) of each packet. The PHB is the forwarding treatment given to packets at each hop. QoS policies are built by applying a set of rules to packets, based on the DSCP value, as they hop through the network.

The default settings are based on the following standard PHBs, as defined in the IEEE standards:

- Expedited Forwarding (EF)—This PHB has the highest egress priority and lowest drop precedence level. EF traffic is forwarded ahead of all other traffic. EF PHB is described in RFC 2598.
- Assured Forwarding (AF)—This PHB contains four service levels, each with a different drop precedence, as shown below. Routers use drop precedence to determine which packets to discard last when the network becomes congested. AF PHB is described in RFC 2597.

Drop Precedence	Class 1	Class 2	Class 3	Class 4
Low	AF11 (DSCP 10)	AF21 (DSCP 18)	AF31 (DSCP 26)	AF41 (DSCP 34)
Medium	AF12 (DSCP 12)	AF22 (DSCP 20)	AF32 (DSCP 28)	AF42 (DSCP 36)
High	AF13 (DSCP 14)	AF23 (DSCP 22)	AF33 (DSCP 30)	AF43 (DSCP 38)

- Class Selector (CS)—This PHB has eight priority classes, with CS7 representing the highest priority, and CS0 representing the lowest priority, as shown below. CS PHB is described in RFC 2474.

Priority	Class Selector	DSCP
Highest	CS7	56
	CS6	48
	CS5	40
	CS4	32
	CS3	24
	CS2	16
	CS1	8
Lowest	CS0	0

QoS Levels

Table 13 shows the default service levels provided by the switch, listed from highest to lowest importance:

Table 13 Default QoS Service Levels

Service Level	Default PHB	802.1p Priority
Critical	CS7	7
Network Control	CS6	6
Premium	EF, CS5	5
Platinum	AF41, AF42, AF43, CS4	4
Gold	AF31, AF32, AF33, CS3	3
Silver	AF21, AF22, AF23, CS2	2
Bronze	AF11, AF12, AF13, CS1	1
Standard	DF, CS0	0

DSCP Re-Marking and Mapping

The switch can use the DSCP value of ingress packets to re-mark the DSCP to a new value, and to set an 802.1p priority value. Use the following command to view the default settings.

```
RS G8124# show qos dscp
Current DSCP Remarking Configuration: OFF
```

DSCP	New DSCP	New 802.1p Prio
0	0	0
1	1	0
2	2	0
3	3	0
4	4	0
5	5	0
6	6	0
7	7	0
8	8	1
9	9	0
10	10	1
...		
54	54	0
55	55	0
56	56	7
57	57	0
58	58	0
59	59	0
60	60	0
61	61	0
62	62	0
63	63	0

Use the following command to turn on DSCP re-marking globally:

```
RS G8124(config)# qos dscp re-marking
```

Then you must enable DSCP re-marking on any port that you wish to perform this function (Interface Port mode).

Note – If an ACL meter is configured for DSCP re-marking, the meter function takes precedence over QoS re-marking.

DSCP Re-Marking Configuration Example

1. Turn DSCP re-marking on globally, and define the DSCP-DSCP-802.1p mapping. You can use the default mapping.

```
RS G8124(config)# qos dscp re-marking
RS G8124(config)# qos dscp dscp-mapping <DSCP value (0-63)> <new value>
RS G8124(config)# qos dscp dot1p-mapping <DSCP value (0-63)> <802.1p value>
```

2. Enable DSCP re-marking on a port.

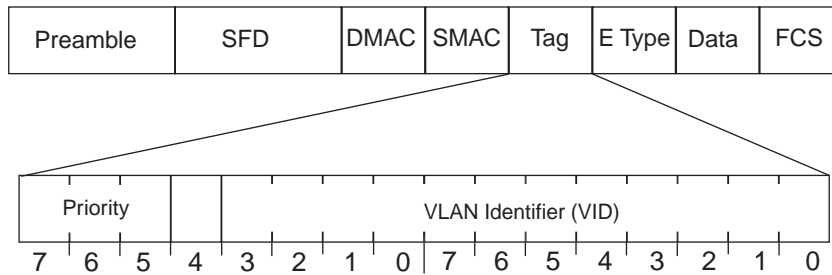
```
RS G8124(config)# interface port 1
RS G8124(config-if)# qos dscp dscp-remarking
```

Using 802.1p Priority to Provide QoS

The G8124 provides Quality of Service functions based on the priority bits in a packet's VLAN header. (The priority bits are defined by the 802.1p standard within the IEEE 802.1Q VLAN header.) The 802.1p bits, if present in the packet, specify the priority that should be given to packets during forwarding. Packets with a numerically higher (non-zero) priority are given forwarding preference over packets with lower priority value.

The IEEE 802.1p standard uses eight levels of priority (0-7). Priority 7 is assigned to highest priority network traffic, such as OSPF or RIP routing table updates, priorities 5-6 are assigned to delay-sensitive applications such as voice and video, and lower priorities are assigned to standard applications. A value of 0 (zero) indicates a "best effort" traffic prioritization, and this is the default when traffic priority has not been configured on your network. The switch can filter packets based on the 802.1p values.

Figure 16 Layer 2 802.1q/802.1p VLAN tagged packet



Ingress packets receive a priority value, as follows:

- **Tagged packets**—switch reads the 802.1p priority in the VLAN tag.
- **Untagged packets**—switch tags the packet and assigns an 802.1p priority value, based on the port's default 802.1p priority.

Egress packets are placed in a COS queue based on the priority value, and scheduled for transmission based on the COS queue number. Higher COS queue numbers provide forwarding precedence.

To configure a port's default 802.1p priority value, use the following commands.

```
RS G8124(config)# interface port 1
RS G8124(config-if)# dot1p <802.1p value (0-7)>
```

Queuing and Scheduling

The G8124 can be configured to have either 2 or 8 output Class of Service (COS) queues per port, into which each packet is placed. Each packet's 802.1p priority determines its COS queue, except when an ACL action sets the COS queue of the packet.

Note – When vNIC operations are enabled, the total number of COS queues available is 4.

You can configure the following attributes for COS queues:

- Map 802.1p priority value to a COS queue
- Define the scheduling weight of each COS queue

You can map 802.1p priority value to a COS queue, as follows:

```
RS G8124(config)# qos transmit-queue mapping <802.1p priority value (0-7)>
<COS queue (0-7)>
```

To set the COS queue scheduling weight, use the following command.

```
RS G8124(config)# qos transmit-queue weight-cos <COSq number>
<COSq weight (0-15)>
```

To achieve a balanced bandwidth allocation among the various priority groups, packets are scheduled according to a weighted deficit round-robin (WDRR) algorithm. WDRR is aware of packet sizes, which can vary significantly in a CEE environment, making WDRR more suitable than a regular weighted round-robin (WRR) method, which selects groups based only on packet counts. In addition, forwarding precedence is determined by COS queue number, with higher-numbered queues given higher precedence.

Note – For setting traffic ratios, COSq weight values are internally rounded up to 2, 4, 8, or 16.

Part 4: Advanced Switching Features

CHAPTER 10

Deployment Profiles

The BLADEOS software for the RackSwitch G8124 can be configured to operate in different modes for different deployment scenarios. Each deployment profile sets different capacity levels for basic switch resources, such as the number of IP routes and ARP entries, in order to optimize the switch for different types of networks.

This chapter covers the following topics

- [“Available Profiles” on page 147](#)
- [“Selecting Profiles” on page 149](#)
- [“Automatic Configuration Changes” on page 149](#)

Available Profiles

The following deployment profiles are currently available on the G8124:

- **Default Profile**—This profile is recommended for general network usage. Switch resources are balanced to provide moderate capacity for IP routes, ARP entries, ACLs, and VMAPs.
- **Routing Profile**—This is a special deployment profile. It is recommended when additional IP routes are required on the switch. In order to provide the additional IP routes, the number of ARP entries is reduced, and the ACL and VMAP features are unsupported.

The properties of each mode are compared in the following table.

Table 14 Deployment Mode Comparison

Switch Feature	Capacity, by Mode	
	Default	Routing
ACLs	127	<i>Unsupported</i>
ARP entries	2,048	<i>1,000</i>
Dynamic routes	2,684	9,000
VM Policy Bandwidth Control	Available	<i>Unsupported</i>
VMAPs	127	<i>Unsupported</i>
VMready	Available	<i>Unsupported</i>

Note – Throughout this guide, where feature capacities are listed, values reflect those of the Default profile only, unless otherwise noted.

Selecting Profiles

To change the deployment profile, the new profile must first be selected, and the switch must then be rebooted to use the new profile.

Note – Before changing profiles, it is recommended that you save the active switch configuration to a backup file so that it may be restored later if desired.

The following ISCLI commands are used to change the deployment profile:

```
RS G8124(config)# boot profile {default|routing} (Select deployment profile)
RS G8124(config)# exit (To privileged EXEC mode)
RS G8124# reload (Reboot the switch)
```

To view the currently selected deployment profile, use the following ISCLI privileged EXEC command:

```
RS G8124# show boot
```

Note – When using a specialized profile, menus and commands are unavailable for features that are not supported under the profile. Such menus and commands will be available again only when a supporting profile is used.

Automatic Configuration Changes

BLADEOS 6.5 configuration blocks and backup files generated under a specific deployment profile are generally compatible among all other deployment profiles. However, if commands or capacities configured under a prior profile are not available using the current profile, the switch will ignore the unsupported commands. Mutually supported commands will be processed normally between profiles.

All configuration commands from the prior profile are initially retained when changing profiles, even though some may be ignored when the switch starts with new profile. This allows the administrator to change back to the prior deployment profile with the prior configuration intact if desired. However, once the administrator saves the configuration under the new profile, all unsupported commands are immediately cleared. For example, when using the Routing profile, because ACLs are unsupported in that mode, their settings will be excluded when the configuration is saved. Then, if returning to the Default profile, it will be necessary to reconfigure the desired ACLs, or to use the backup configuration.

CHAPTER 11

Virtualization

Virtualization allows resources to be allocated in a fluid manner based on the logical needs of the data center, rather than on the strict, physical nature of components. The following virtualization features are included in BLADEOS 6.5 on the RackSwitch G8124 (G8124):

- Virtual Local Area Networks (VLANs)

VLANs are commonly used to split groups of networks into manageable broadcast domains, create logical segmentation of workgroups, and to enforce security policies among logical network segments.

For details on this feature, see [“VLANs” on page 87](#).

- Port trunking

A port trunk pools multiple physical switch ports into a single, high-bandwidth logical link to other devices. In addition to aggregating capacity, trunks provides link redundancy.

For details on this feature, see [“Ports and Trunking” on page 101](#).

- Virtual Network Interface Card (vNIC) support

Some NICs, such as the Emulex Virtual Fabric Adapter, can virtualize NIC resources, presenting multiple virtual NICs to the server’s OS or hypervisor. Each vNIC appears as a regular, independent NIC with some portion of the physical NIC’s overall bandwidth. BLADEOS 6.5 supports up to four vNICs over each server-side switch port.

For details on this feature, see [“Virtual NICs” on page 153](#).

- VMready

The switch’s VMready software makes it *virtualization aware*. Servers that run hypervisor software with multiple instances of one or more operating systems can present each as an independent *virtual machine* (VM). With VMready, the switch automatically discovers virtual machines (VMs) connected to switch.

For details on this feature, see [“VMready” on page 165](#).

BLADEOS virtualization features provide a highly-flexible framework for allocating and managing switch resources.

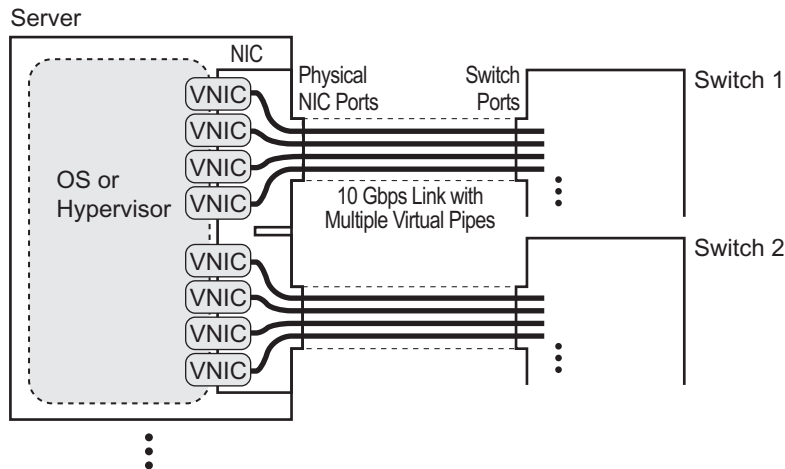
CHAPTER 12

Virtual NICs

A Network Interface Controller (NIC) is a component within a server that allows the server to be connected to a network. The NIC provides the physical point of connection, as well as internal software for encoding and decoding network packets.

Virtualizing the NIC helps to resolve issues caused by limited NIC slot availability. By virtualizing a 10Gbps NIC, its resources can be divided into multiple logical instances known as virtual NICs (vNICs). Each vNIC appears as a regular, independent NIC to the server operating system or a hypervisor, with each vNIC using some portion of the physical NIC's overall bandwidth.

Figure 17 Virtualizing the NIC for Multiple Virtual Pipes on Each Link



A G8124 with BLADEOS 6.5 supports the Emulex Virtual Fabric Adapter (VFA) to provide the following vNIC features:

- Up to four vNICs are supported on each server port.
- vNICs can be grouped together, along with regular server ports, uplink ports, or trunk groups, to define vNIC groups for enforcing communication boundaries.
- In the case of a failure on the uplink ports associated with a vNIC group, the switch can signal affected vNICs for failover while permitting other vNICs to continue operation.

- Each vNIC can be independently allocated a symmetric percentage of the 10Gbps bandwidth on the link (from NIC to switch, and from switch to NIC).
- The G8124 can be used as the single point of vNIC configuration.

The following restrictions apply to vNICs:

- vNICs are not supported simultaneously with VM groups (see “VMready” on page 165) on the same switch ports.
- vNICs are not supported simultaneously with DCBX (see “Data Center Bridging Capability Exchange” on page 211) or FCoE (see “Fibre Channel over Ethernet” on page 189) on the same switch.

By default, vNICs are disabled. As described below, the administrator must first define server ports prior to configuring and enabling vNICs as discussed in the rest of this section.

Defining Server Ports

vNICs are supported only on ports connected to servers. Before you configure vNICs on a port, the port must first be defined as a server port using the following command:

```
RS G8124(config)# system server-ports port <port alias or number>
```

Ports that are not defined as server ports are considered uplink ports and do not support vNICs.

Enabling the vNIC Feature

The vNIC feature can be globally enabled using the following command:

```
RS G8124(config)# vnic enable
```

Note – When the vNIC feature is enabled, the maximum number of QOS Class of Service queues available is four.

vNIC IDs

vNIC IDs on the Switch

BLADEOS 6.5 supports up to four vNICs attached to each server port. Each vNIC is provided its own independent virtual pipe on the port.

On the switch, each vNIC is identified by its port and vNIC number as follows:

<port number or alias> . <vNIC pipe number (1-4)>

For example:

1.1, 1.2, 1.3, and 1.4 represent the vNICs on port 1.

2.1, 2.2, 2.3, and 2.4 represent the vNICs on port 2, etc.

These vNIC IDs are used when adding vNICs to vNIC groups, and are shown in some configuration and information displays.

vNIC Interface Names on the Server

When running in virtualization mode, the Emulex Virtual Fabric Adapter presents eight vNICs to the OS or hypervisor (four for each of the two physical NIC ports). Each vNIC is identified in the OS or hypervisor with a different vNIC function number (0-7). vNIC function numbers correlate to vNIC IDs on the switch as follows:

Table 15 vNIC ID Correlation

PCIe Function ID	NIC Port	vNIC Pipe	vNIC ID
0	0	1	x.1
2	0	2	x.2
4	0	3	x.3
6	0	4	x.4
1	1	1	x.1
3	1	2	x.2
5	1	3	x.3
7	1	4	x.4

In this, the *x* in the vNIC ID represents the switch port to which the NIC port is connected.

vNIC Bandwidth Metering

BLADEOS 6.5 supports bandwidth metering for vNIC traffic. By default, each of the four vNICs on any given port is allowed an equal share (25%) of NIC capacity when enabled. However, you may configure the percentage of available switch port bandwidth permitted to each vNIC.

vNIC bandwidth can be configured as a value from 1 to 100, with each unit representing 1% (or 100Mbps) of the 10Gbps link. By default, each vNICs enabled on a port is assigned 25 units (equal to 25% of the link, or 2.5Gbps). When traffic from the switch to the vNIC reaches its assigned bandwidth limit, the switch will drop packets egressing to the affected vNIC. Likewise, if traffic from the vNIC to the switch reaches its limit, the NIC will drop egress of any further packets. When traffic falls below the configured thresholds, traffic resumes at its allowed rate.

Note – Bandwidth metering drops excess packets when configured limits are reached. Consider using the ETS feature in applications where packet loss is not desirable (see [“Enhanced Transmission Selection” on page 204](#)).

To change the bandwidth allocation, use the following commands:

```
RS G8124(config)# vnic port <port alias or number> index <vNIC number (1-4)>
RS G8124(config-if-vNIC)# bandwidth <allocated percentage>
```

Note – vNICs that are disabled are automatically allocated a bandwidth value of 0.

A combined maximum of 100 units can be allocated among vNIC pipes enabled for any specific port (bandwidth values for disabled pipes are not counted). If more than 100 units are assigned to enabled pipes, an error will be reported when attempting to apply the configuration.

Note – The bandwidth metering configuration is synchronized between the switch and vNICs. Once configured on the switch, there is no need to manually configure vNIC bandwidth metering limits on the NIC.

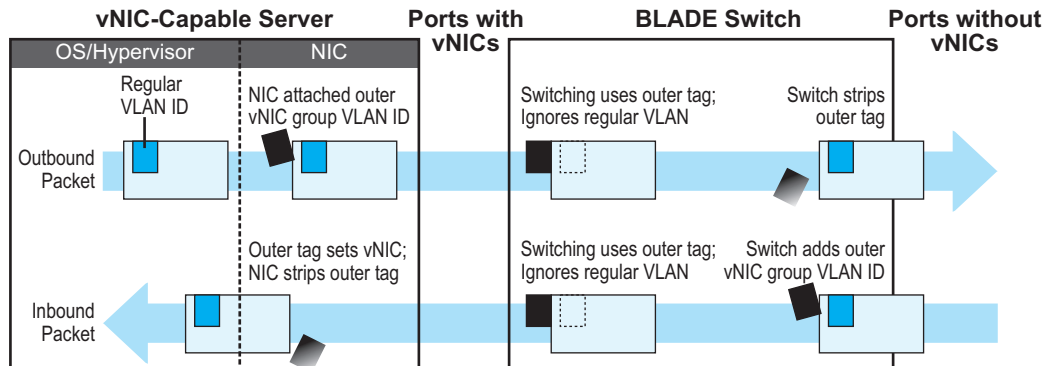
vNIC Groups

vNICs can be grouped together, along with uplink ports and trunks, as well as other ports that were defined as server ports but not connected to vNICs. Each vNIC group is essentially a separate virtual network within the switch. Elements within a vNIC group have a common logical function and can communicate with each other, while elements in different vNIC groups are separated.

BLADEOS 6.5 supports up to 32 independent vNIC groups.

To enforce group boundaries, each vNIC group is assigned its own unique VLAN. The vNIC group VLAN ID is placed on all vNIC group packets as an “outer” tag. As shown in [Figure 18](#), the outer vNIC group VLAN ID is placed on the packet in addition to any regular VLAN tag assigned by the network, server, or hypervisor. The outer vNIC group VLAN is used only between the G8124 and the NIC.

Figure 18 Outer and Inner VLAN Tags



Within the G8124, all Layer 2 switching for packets within a vNIC group is based on the outer vNIC group VLAN. The G8124 does not consider the regular, inner VLAN ID (if any) for any VLAN-specific operation.

The outer vNIC group VLAN is removed by the NIC before the packet reaches the server OS or hypervisor, or by the switch before the packet egresses any switch port which does not need it for vNIC processing.

The VLAN configured for the vNIC group will be automatically assigned to member vNICs, ports, and trunks and should not be manually configured for those elements.

Note – Once a VLAN is assigned to a vNIC group, that VLAN is used only for vNIC purposes and is no longer available for configuration. Likewise, any VLAN configured for regular purposes cannot be configured as a vNIC group VLAN.

Other vNIC group rules are as follows:

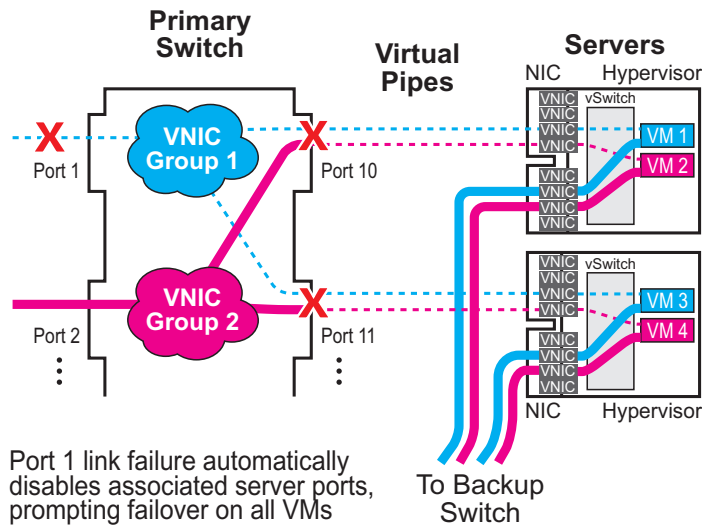
- vNIC groups may have one or more vNIC members. However, any given vNIC can be a member of only one vNIC group.
- All vNICs on a given port must belong to different vNIC groups.
- All members of a vNIC group must have the same vNIC pipe index. For instance, 1.1 and 2.1 share the same “.1” vNIC pipe index, but 3.2 uses the “.2” vNIC pipe index and cannot be placed in the same vNIC group.
- Uplink ports which are part of a trunk may not be individually added to a vNIC group. Only one individual uplink port or one static trunk (consisting of multiple uplink ports) may be added to any given vNIC group.
- When a port is added to a vNIC group, flow control is disabled automatically. If the port is removed from the vNIC group, the flow-control setting remains disabled.
- For any switch ports or port trunk group connected to regular (non-vNIC) devices:
 - These elements can be placed in only one vNIC group (they cannot be members of multiple vNIC groups).
 - Once added to a vNIC group, the PVID for the element is automatically set to use the vNIC group VLAN number, and PVID tagging on the element is automatically disabled.
 - By default, STP is disabled on non-server ports or trunk groups added to a vNIC group. STP cannot be re-enabled on the port.
- Because regular, inner VLAN IDs are ignored by the switch for traffic in vNIC groups, following rules and restrictions apply:
 - The inner VLAN tag may specify any VLAN ID in the full, supported range (1 to 4095) and may even duplicate outer vNIC group VLAN IDs.
 - Per-VLAN IGMP snooping is not supported in vNIC groups.
 - The inner VLAN tag is not processed in any way in vNIC groups: The inner tag cannot be stripped or added on port egress, is not used to restrict multicast traffic, is not matched against ACL filters, and does not influence Layer 3 switching.
 - For vNIC ports on the switch, because the outer vNIC group VLAN is transparent to the OS/hypervisor and upstream devices, VLAN tagging should be configured as normally required (on or off) for the those devices, ignoring any outer tag.
- Virtual machines (VMs) and other VEs associated with vNICs are automatically detected by the switch when VMready is enabled (see “[VMready](#)” on page 165). However, vNIC groups are isolated from other switch elements. VEs in vNIC groups cannot be assigned to VM groups.

vNIC Teaming Failover

For NIC failover in a non-virtualized environment, when a service group's uplink ports fail or are disconnected, the switch disables the affected group's server ports, causing the server to failover to the backup NIC and switch.

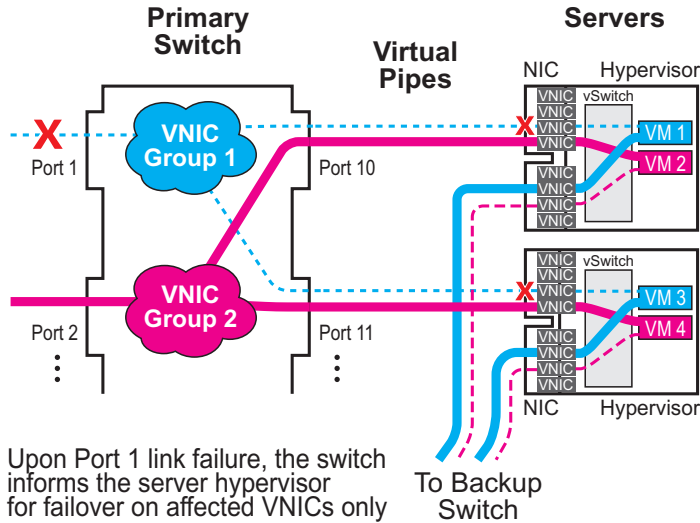
However, in a virtualized environment, disabling the affected server ports would disrupt all vNIC pipes on those ports, not just those that have lost their uplinks (see [Figure 19](#)).

Figure 19 Regular Failover in a Virtualized Environment



To avoid disrupting vNICs that have not lost their uplinks, BLADEOS 6.5 and the Emulex Virtual Fabric Adapter provide vNIC-aware failover. When a vNIC group's uplink ports fail, the switch cooperates with the affected NIC to prompt failover only on the appropriate vNICs. This allows the vNICs that are not affected by the failure to continue without disruption (see [Figure 20 on page 160](#)).

Figure 20 vNIC Failover Solution



By default, vNIC Teaming Failover is disabled on each vNIC group, but can be enabled or disabled independently for each vNIC group using the following commands:

```
RS G8124(config)# vnic vnicgroup <group number>
RS G8124(vnic group config)# failover
```


vNIC Configuration Example

Consider the following example configuration:

Figure 21 Multiple vNIC Groups

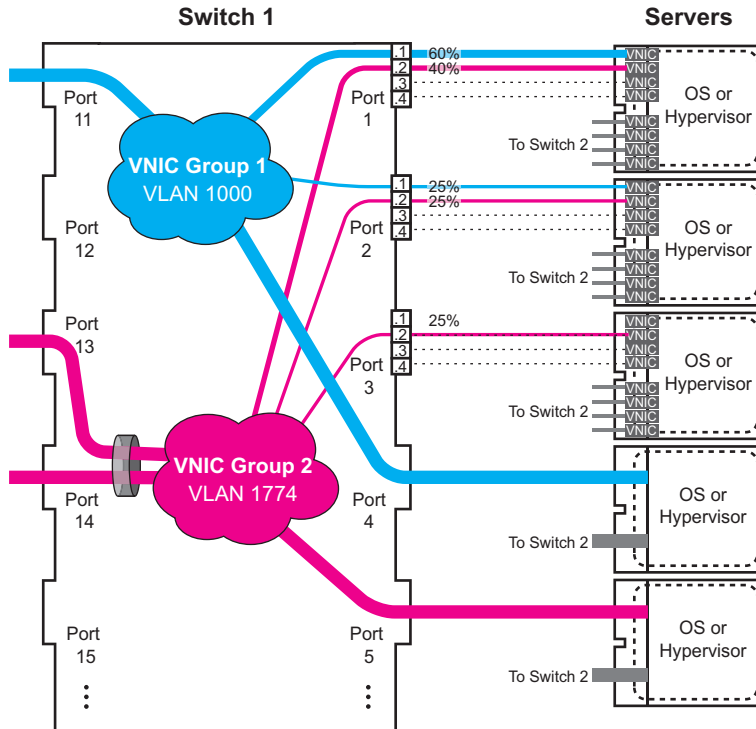


Figure 21 has the following vNIC network characteristics:

- vNIC group 1 has an outer tag for VLAN 1000. The group is comprised of vNIC pipes 1.1 and 2.1, switch server port 4 (a non-vNIC port), and uplink port 11.
- vNIC group 2 has an outer tag for VLAN 1774. The group is comprised of vNIC pipes 1.2, 2.2 and 3.2, switch server port 5, and an uplink trunk of ports 13 and 14.
- vNIC failover is enabled for both vNIC groups.
- vNIC bandwidth on port 1 is set to 60% for vNIC 1 and 40% for vNIC 2.
- Other enabled vNICs (2.1, 2.2, and 3.2) are permitted the default bandwidth of 25% (2.5Gbps) on their respective ports.
- All remaining vNICs are disabled (by default) and are automatically allocated 0 bandwidth.

1. Define the server ports.

```
RS G8124(config)# system server-ports port 1-5
```

2. Configure the external trunk to be used with vNIC group 2.

```
RS G8124(config)# portchannel 1 port 13,14
RS G8124(config)# portchannel 1 enable
```

3. Enable the vNIC feature on the switch.

```
RS G8124 # vnic enable
```

4. Configure the virtual pipes for the vNICs attached to each server port:

```
RS G8124(config)# vnic port 1 index 1           (Select vNIC 1 on the port)
RS G8124(vnic_config)# enable                 (Enable the vNIC pipe)
RS G8124(vnic_config)# bandwidth 60          (Allow 60% egress bandwidth)
RS G8124(vnic_config)# exit
RS G8124(config)# vnic port 1 index 2       (Select vNIC 2 on the port)
RS G8124(vnic_config)# enable                 (Enable the vNIC pipe)
RS G8124(vnic_config)# bandwidth 40          (Allow 40% egress bandwidth)
RS G8124(vnic_config)# exit

RS G8124(config)# vnic port 2 index 1       (Select vNIC 1 on the port)
RS G8124(vnic_config)# enable                 (Enable the vNIC pipe)
RS G8124(vnic_config)# exit
RS G8124(config)# vnic port 2 index 2       (Select vNIC 2 on the port)
RS G8124(vnic_config)# enable                 (Enable the vNIC pipe)
RS G8124(vnic_config)# exit
```

As a configuration shortcut, vNICs do not have to be explicitly enabled in this step. When a vNIC is added to the vNIC group (in the next step), the switch will prompt you to confirm automatically enabling the vNIC if it is not yet enabled (shown for 3.2).

Note – vNICs are not supported simultaneously on the same switch ports as VMready, or on the same switch as DCBX or FCoE.

5. Add ports, trunks, and virtual pipes to their vNIC groups.

RS G8124(config)# vnic vnicgroup 1	<i>(Select vNIC group)</i>
RS G8124(vnic group config)# vlan 1000	<i>(Specify the VLAN)</i>
RS G8124(vnic group config)# member 1.1	<i>(Add vNIC pipes to the group)</i>
RS G8124(vnic group config)# member 2.1	
RS G8124(vnic group config)# port 4	
RS G8124(vnic group config)# port 10	
RS G8124(vnic group config)# failover	<i>(Enable vNIC failover for the group)</i>
RS G8124(vnic group config)# enable	<i>(Enable the vNIC group)</i>
RS G8124(vnic group config)# exit	
RS G8124(config)# vnic vnicgroup 2	
RS G8124(vnic group config)# vlan 1774	
RS G8124(vnic group config)# member 1.2	
RS G8124(vnic group config)# member 2.2	
RS G8124(vnic group config)# member 3.2	
vNIC 3.2 is not enabled.	
Confirm enabling vNIC3.2 [y/n]: y	
RS G8124(vnic group config)# port 5	
RS G8124(vnic group config)# trunk 1	
RS G8124(vnic group config)# failover	
RS G8124(vnic group config)# enable	
RS G8124(vnic group config)# exit	

Once VLAN 1000 and 1774 are configured for vNIC groups, they will not be available for configuration in the regular VLAN menus (/cfg/l2/vlan).

Note – vNICs are not supported simultaneously on the same switch ports as VMready, or on the same switch as DCBX or FCoE.

6. Save the configuration.

vNICs for iSCSI on Emulex Eraptor 2

The BLADEOS vNIC feature works with standard network applications like iSCSI as previously described. However, the Emulex Eraptor 2 NIC expects iSCSI traffic to occur only on a single vNIC pipe. When using the Emulex Eraptor 2, only vNIC pipe 2 may participate in iSCSI.

To configure the switch for this solution, iSCSI traffic should be placed in its own vNIC group, comprised of the uplink port leading to the iSCSI target, and the related `<port>.2` vNIC pipes connected to the participating servers. For example:

1. Define the server ports.

```
RS G8124(config)# system server-ports port 1-3
```

2. Enable the vNIC feature on the switch.

```
RS G8124 # vnic enable
```

3. Configure the virtual pipes for the iSCSI vNICs attached to each server port:

```
RS G8124(config)# vnic port 1 index 2           (Select vNIC 2 on the server port)
RS G8124(vnic_config)# enable                 (Enable the vNIC pipe)
RS G8124(vnic_config)# exit
RS G8124(config)# vnic port 2 index 2           (Select vNIC 2 on the server port)
RS G8124(vnic_config)# enable                 (Enable the vNIC pipe)
RS G8124(vnic_config)# exit
RS G8124(config)# vnic port 3 index 2           (Select vNIC 2 on the server port)
RS G8124(vnic_config)# enable                 (Enable the vNIC pipe)
RS G8124(vnic_config)# exit
```

Note – vNICs are not supported simultaneously on the same switch ports as VMready, or on the same switch as DCBX or FCoE.

4. Add ports and virtual pipes to a vNIC group.

```
RS G8124(config)# vnic vnicgroup 1           (Select vNIC group)
RS G8124(vnic group config)# vlan 1000       (Specify the VLAN)
RS G8124(vnic group config)# member 1.2     (Add iSCSI vNIC pipes to the group)
RS G8124(vnic group config)# member 2.2
RS G8124(vnic group config)# member 3.2
RS G8124(vnic group config)# port 4         (Add the uplink port to the group)
RS G8124(vnic group config)# enable         (Enable the vNIC group)
RS G8124(vnic group config)# exit
```

5. Save the configuration.

CHAPTER 13

VMready

Virtualization is used to allocate server resources based on logical needs, rather than on strict physical structure. With appropriate hardware and software support, servers can be virtualized to host multiple instances of operating systems, known as virtual machines (VMs). Each VM has its own presence on the network and runs its own service applications.

Software known as a *hypervisor* manages the various virtual entities (VEs) that reside on the host server: VMs, virtual switches, and so on. Depending on the virtualization solution, a virtualization management server may be used to configure and manage multiple hypervisors across the network. With some solutions, VMs can even migrate between host hypervisors, moving to different physical hosts while maintaining their virtual identity and services.

The BLADEOS 6.5 VMready feature supports up to 2048 VEs in a virtualized data center environment. The switch automatically discovers the VEs attached to switch ports, and distinguishes between regular VMs, Service Console Interfaces, and Kernel/Management Interfaces in a VMware® environment.

VEs may be placed into VM groups on the switch to define communication boundaries: VEs in the same VM group may communicate with each other, while VEs in different groups may not. VM groups also allow for configuring group-level settings such as virtualization policies and ACLs.

The administrator can also pre-provision VEs by adding their MAC addresses (or their IPv4 address or VM name in a VMware environment) to a VM group. When a VE with a pre-provisioned MAC address becomes connected to the switch, the switch will automatically apply the appropriate group membership configuration.

The G8124 with VMready also detects the migration of VEs across different hypervisors. As VEs move, the G8124 NMotion™ feature automatically moves the appropriate network configuration as well. NMotion gives the switch the ability to maintain assigned group membership and associated policies, even when a VE moves to a different port on the switch.

VMready also works with VMware Virtual Center (vCenter) management software. Connecting with a vCenter allows the G8124 to collect information about more distant VEs, synchronize switch and VE configuration, and extend migration properties.

Note – VM groups and policies, VE pre-provisioning, and VE migration features are not supported simultaneously on the same ports as vNICs (see “[Virtual NICs](#)” on page 153).

VE Capacity

When VMready is enabled, the switch will automatically discover VEs that reside in hypervisors directly connected on the switch ports. BLADEOS 6.5 supports up to 2048 VEs. Once this limit is reached, the switch will reject additional VEs.

Note – In rare situations, the switch may reject new VEs prior to reaching the supported limit. This can occur when the internal hash corresponding to the new VE is already in use. If this occurs, change the MAC address of the VE and retry the operation. The MAC address can usually be changed from the virtualization management server console (such as the VMware Virtual Center).

Defining Server Ports

Before you configure VMready features, you must first define whether ports are connected to servers or are used as uplink ports. Use the following ISCLI configuration command to define a port as a server port:

```
RS G8124(config)# system server-ports port <port alias or number>
```

Ports that are not defined as server ports are automatically considered uplink ports.

VM Group Types

VEs, as well as switch server ports, switch uplink ports, static trunks and LACP trunks, can be placed into VM groups on the switch to define virtual communication boundaries. Elements in a given VM group are permitted to communicate with each other, while those in different groups are not. The elements within a VM group automatically share certain group-level settings.

BLADEOS 6.5 supports up to 32 VM groups. There are two different types:

- Local VM groups are maintained locally on the switch. Their configuration is not synchronized with hypervisors. Of the 2048 VEs supported on the switch, up to 500 VEs may be used in local groups.
- Distributed VM groups are automatically synchronized with a virtualization management server (see [“Assigning a vCenter” on page 172](#)).

Each VM group type is covered in detail in the following sections.

Note – VM groups are not supported simultaneously on the same ports as vNICs (see [“Virtual NICs” on page 153](#)).

Local VM Groups

The configuration for local VM groups is maintained on the switch (locally) and is not directly synchronized with hypervisors. Local VM groups may include only local elements: local switch ports and trunks, and only those VEs connected to one of the switch ports or pre-provisioned on the switch. Of the 2048 VEs supported on the switch, up to 500 VEs may be used in local groups.

Local VM groups support limited VE migration: as VMs and other VEs move to different hypervisors connected to different ports on the switch, the configuration of their group identity and features moves with them. However, VE migration to and from more distant hypervisors (those not connected to the G8124, may require manual configuration when using local VM groups.

Configuring a Local VM Group

Use the following ISCLI configuration commands to assign group properties and membership:

```

RS G8124(config)# virt vmgroup <VM group number> ?
  key <LACP trunk key>                (Add LACP trunk to group)
  port <port alias or number>          (Add port member to group)
  portchannel <trunk group number>     (Add static trunk to group)
  profile <profile name>               (Not used for local groups)
  stg <Spanning Tree group>           (Add STG to group)
  tag                                  (Set VLAN tagging on ports)
  vlan <VLAN number>                  (Specify the group VLAN)
  vm <MAC> | <index> | <UUID> | <IPv4 address> | <name> (Add VM member to group)
  vmap <VMAP number> [ intports | extports ] (Specify VMAP number)

```

The following rules apply to the local VM group configuration commands:

- **key**: Add LACP trunks to the group.
- **port**: Add switch server ports or switch uplink ports to the group. Note that VM groups and vNICs (see [“Virtual NICs” on page 153](#)) are not supported simultaneously on the same port.
- **portchannel**: Add static port trunks to the group.
- **profile**: The profile options are not applicable to local VM groups. Only distributed VM groups may use VM profiles (see [“VM Profiles” on page 169](#)).
- **stg**: The group may be assigned to a Spanning-Tree group for broadcast loop control (see [“Spanning Tree Protocols” on page 109](#)).
- **tag**: Enable VLAN tagging for the VM group. If the VM group contains ports which also exist in other VM groups, tagging should be enabled in both VM groups.
- **vlan**: Each VM group must have a unique VLAN number. This is required for local VM groups. If one is not explicitly configured, the switch will automatically assign the next unconfigured VLAN when a VE or port is added to the VM group.
- **vmap**: Each VM group may optionally be assigned a VLAN-based ACL (see [“VLAN Maps” on page 176](#)).
- **vm**: Add VMs.

VMs and other VEs are primarily specified by MAC address. They can also be specified by UUID or by the index number as shown in various VMready information output (see [“VMready Information Displays” on page 180](#)).

If VMware Tools software is installed in the guest operating system (see VMware documentation for information on installing recommended tools), VEs may also be specified by IPv4 address or VE name. However, if there is more than one possible VE for the input (such as an IPv4 address for a VM that uses multiple vNICs), the switch will display a list of candidates and prompt for a specific MAC address.

Only VEs currently connected to the switch port (local) or pending connection (pre-provisioned) are permitted in local VM groups.

Because VM groups and vNIC groups (see [“Virtual NICs” on page 153](#)) are isolated from each other, VMs detected on vNICs cannot be assigned to VM groups.

Use the `no` variant of the commands to remove or disable VM group configuration settings:

```
RS G8124(config)# no virt vmggroup <VM group number> [ ? ]
```

Note – Local VM groups are not supported simultaneously on the same ports as vNICs (see [“Virtual NICs” on page 153](#)).

Distributed VM Groups

Distributed VM groups allow configuration profiles to be synchronized between the G8124 and associated hypervisors and VEs. This allows VE configuration to be centralized, and provides for more reliable VE migration across hypervisors.

Using distributed VM groups requires a virtualization management server. The management server acts as a central point of access to configure and maintain multiple hypervisors and their VEs (VMs, virtual switches, and so on).

The G8124 must connect to a virtualization management server before distributed VM groups can be used. The switch uses this connection to collect configuration information about associated VEs, and can also automatically push configuration profiles to the virtualization management server, which in turn configures the hypervisors and VEs. See [“Virtualization Management Servers” on page 172](#) for more information.

Note – Distributed VM groups are not supported simultaneously on the same ports as vNICs (see [“Virtual NICs” on page 153](#)).

VM Profiles

VM profiles are required for configuring distributed VM groups. They are not used with local VM groups. A VM profile defines the VLAN and virtual switch bandwidth shaping characteristics for the distributed VM group. The switch distributes these settings to the virtualization management server, which in turn distributes them to the appropriate hypervisors for VE members associated with the group.

Creating VM profiles is a two part process. First, the VM profile is created as shown in the following command on the switch:

```
RS G8124(config)# virt vmprofile <profile name>
```

Next, the profile must be edited and configured using the following configuration commands:

```
RS G8124(config)# virt vmprofile edit <profile name> ?
  vlan <VLAN number>
  shaping <average bandwidth> <burst size> <peak>
```

For virtual switch bandwidth shaping parameters, average and peak bandwidth are specified in kilobits per second (a value of 1000 represents 1 Mbps). Burst size is specified in kilobytes (a value of 1000 represents 1 MB).

Note – The bandwidth shaping parameters in the VM profile are used by the hypervisor virtual switch software. To set bandwidth policies for individual VEs, see [“VM Policy Bandwidth Control” on page 178](#).

Once configured, the VM profile may be assigned to a distributed VM group as shown in the following section.

Initializing a Distributed VM Group

Note – A VM profile is required before a distributed VM group may be configured. See [“VM Profiles” on page 169](#) for details.

Once a VM profile is available, a distributed VM group may be initialized using the following configuration command:

```
RS G8124(config)# virt vmgroup <VM group number> profile <VM profile name>
```

Only one VM profile can be assigned to a given distributed VM group. To change the VM profile, the old one must first be removed using the following ISCLI configuration command:

```
RS G8124(config)# no virt vmgroup <VM group number> profile
```

Note – The VM profile can be added only to an empty VM group (one that has no VLAN, VMs, or port members). Any VM group number currently configured for a local VM group (see [“Local VM Groups” on page 167](#)) cannot be converted and must be deleted before it can be used for a distributed VM group.

Assigning Members

VMs, ports, and trunks may be added to the distributed VM group only after the VM profile is assigned. Group members are added, pre-provisioned, or removed from distributed VM groups in the same manner as with local VM groups ([“Local VM Groups” on page 167](#)), with the following exceptions:

- VMs: VMs and other VEs are not required to be local. Any VE known by the virtualization management server can be part of a distributed VM group.
- The VM group `vlan` option (see [page 168](#)) cannot be used with distributed VM groups. For distributed VM groups, the VLAN is assigned in the VM profile.

Synchronizing the Configuration

When the configuration for a distributed VM group is modified, the switch updates the assigned virtualization management server. The management server then distributes changes to the appropriate hypervisors.

For VM membership changes, hypervisors modify their internal virtual switch port groups, adding or removing server port memberships to enforce the boundaries defined by the distributed VM groups. Virtual switch port groups created in this fashion can be identified in the virtual management server by the name of the VM profile, formatted as follows:

```
BNT_<VM profile name>
```

Adding a server host interface to a distributed VM group does not create a new port group on the virtual switch or move the host. Instead, because the host interface already has its own virtual switch port group on the hypervisor, the VM profile settings are applied to its existing port group.

Note – When applying the distributed VM group configuration, the virtualization management server and associated hypervisors must take appropriate actions. If a hypervisor is unable to make requested changes, an error message will be displayed on the switch. Be sure to evaluate all error message and take the appropriate actions to be sure the expected changes are properly applied.

Removing Member VEs

Removing a VE from a distributed VM group on the switch will have the following effects on the hypervisor:

- The VE will be moved to the `BNT_Default` port group in VLAN 0 (zero).
- Traffic shaping will be disabled for the VE.
- All other properties will be reset to default values inherited from the virtual switch.

Virtualization Management Servers

The G8124 can connect with a virtualization management server to collect configuration information about associated VEs. The switch can also automatically push VM group configuration profiles to the virtualization management server, which in turn configures the hypervisors and VEs, providing enhanced VE mobility.

One virtual management server must be assigned on the switch before distributed VM groups may be used. BLADEOS 6.5 currently supports only the VMware Virtual Center (vCenter).

Note – Although VM groups and policies are not supported simultaneously on the same ports as vNICs (“[Virtual NICs](#)” on page 153), vCenter synchronization can provide additional information about VEs on vNIC and non-vNIC ports.

Assigning a vCenter

Assigning a vCenter to the switch requires the following:

- The vCenter must have a valid IPv4 address which is accessible to the switch (IPv6 addressing is not supported for the vCenter).
- A user account must be configured on the vCenter to provide access for the switch. The account must have (at a minimum) the following vCenter user privileges:
 - Network
 - Host Network > Configuration
 - Virtual Machine > Modify Device Settings

Once vCenter requirements are met, the following configuration command can be used on the G8124 to associate the vCenter with the switch:

```
RS G8124(config)# virt vmware vcspec <vCenter IPv4 address> <username> [noauth]
```

This command specifies the IPv4 address and account username that the switch will use for vCenter access. Once entered, the administrator will be prompted to enter the password for the specified vCenter account.

The `noauth` option causes the switch to ignore SSL certificate authentication. This is required when no authoritative SSL certificate is installed on the vCenter.

Note – By default, the vCenter includes only a self-signed SSL certificate. If using the default certificate, the `noauth` option is required.

Once the vCenter configuration has been applied on the switch, the G8124 will connect to the vCenter to collect VE information.

vCenter Scans

Once the vCenter is assigned, the switch will periodically scan the vCenter to collect basic information about all the VEs in the datacenter, and more detailed information about the local VEs that the switch has discovered attached to its own ports.

The switch completes a vCenter scan approximately every two minutes. Any major changes made through the vCenter may take up to two minutes to be reflected on the switch. However, you can force an immediate scan of the vCenter by using one of the following ISCLI privileged EXEC commands:

RS G8124# virt vmware scan	<i>(Scan the vCenter)</i>
<i>-or-</i>	
RS G8124# show virt vm -v -r	<i>(Scan vCenter and display result)</i>

Deleting the vCenter

To detach the vCenter from the switch, use the following configuration command:

RS G8124(config)# no virt vmware vcspec
--

Note – Without a valid vCenter assigned on the switch, any VE configuration changes must be manually synchronized.

Deleting the assigned vCenter prevents synchronizing the configuration between the G8124 and VEs. VEs already operating in distributed VM groups will continue to function as configured, but any changes made to any VM profile or distributed VM group on the switch will affect only switch operation; changes on the switch will not be reflected in the vCenter or on the VEs. Likewise, any changes made to VE configuration on the vCenter will no longer be reflected on the switch.

Exporting Profiles

VM profiles for discovered VEs in distributed VM groups are automatically synchronized with the virtual management server and the appropriate hypervisors. However, VM profiles can also be manually exported to specific hosts before individual VEs are defined on them.

By exporting VM profiles to a specific host, BNT port groups will be available to the host's internal virtual switches so that new VMs may be configured to use them.

VM migration requires that the target hypervisor includes all the virtual switch port groups to which the VM connects on the source hypervisor. The VM profile export feature can be used to distribute the associated port groups to all the potential hosts for a given VM.

A VM profile can be exported to a host using the following ISCLI privileged EXEC command:

```
RS G8124# virt vmware export <VM profile name> <host list> [ <virtual switch name> ]
```

The host list can include one or more target hosts, specified by host name, IPv4 address, or UUID, with each list item separated by a space. If the virtual switch name is omitted, the administrator will be prompted to select one from a list or to enter a new virtual switch name.

Once executed, the requisite port group will be created on the specified virtual switch. If the specified virtual switch does not exist on the target host, it will be created with default properties, but with no uplink connection to a physical NIC (the administrator must assign uplinks using VMware management tools).

VMware Operational Commands

The G8124 may be used as a central point of configuration for VMware virtual switches and port groups using the following ISCLI privileged EXEC commands:

```
RS G8124# virt vmware ?
  export  Create or update a vm profile on one host
  pg      Add a port group to a host
  scan    Perform a VM Agent scan operation now
  updpkg  Update a port group on a host
  vmacpg  Change a vnic's port group
  vsw     Add a vswitch to a host
```

Pre-Provisioning VEs

VEs may be manually added to VM groups in advance of being detected on the switch ports. By pre-provisioning the MAC address of VEs that are not yet active, the switch will be able to later recognize the VE when it becomes active on a switch port, and immediately assign the proper VM group properties without further configuration.

Undiscovered VEs are added to or removed from VM groups using the following configuration commands:

```
RS G8124(config)# [no] virt vmgroup <VM group number> vm <VE MAC address>
```

For the pre-provisioning of undiscovered VEs, a MAC address is required. Other identifying properties, such as IPv4 address or VM name permitted for known VEs, cannot be used for pre-provisioning.

Note – Because VM groups are isolated from vNIC groups (see [“vNIC Groups” on page 157](#)), pre-provisioned VEs that appear on vNIC ports will not be added to the specified VM group upon discovery.

VLAN Maps

A VLAN map (VMAP) is a type of Access Control List (ACL) that is applied to a VLAN or VM group rather than to a switch port as with regular ACLs (see [“Access Control Lists” on page 75](#)). In a virtualized environment, VMAPs allow you to create traffic filtering and metering policies that are associated with a VM group VLAN, allowing filters to follow VMs as they migrate between hypervisors.

Note – VLAN maps for VM groups are not supported simultaneously on the same ports as vNICs (see [“Virtual NICs” on page 153](#)).

BLADEOS 6.5 supports up to 127 VMAPs when the switch is operating in the Balanced deployment mode (see [“Deployment Profiles” on page 147](#)). VMAP menus and commands are not available in the Routing deployment mode.

Individual VMAP filters are configured in the same fashion as regular ACLs, except that VLANs cannot be specified as a filtering criteria (unnecessary, since VMAPs are assigned to a specific VLAN or associated with a VM group VLAN).

VMAPs are configured using the following ISCLI configuration command path:

```

RS G8124(config)# access-control vmap <VMAP ID> ?
  action          Set filter action
  egress-port     Set to filter for packets egressing this port
  ethernet        Ethernet header options
  ipv4            IP version 4 header options
  meter           ACL metering configuration
  packet-format   Set to filter specific packet format types
  re-mark         ACL re-mark configuration
  statistics      Enable access control list statistics
  tcp-udp         TCP and UDP filtering options

```


Once a VMAP filter is created, it can be assigned or removed using the following commands:

- For regular VLANs, use config-vlan mode:

```
RS G8124(config)# vlan <VLAN ID>
RS G8124(config-vlan)# [no] vmap <VMAP ID> [serverports |
non-serverports]
```

- For a VM group, use the global configuration mode:

```
RS G8124(config)# [no] virt vgroup <ID> vmap <VMAP ID>
[serverports | non-serverports]
```

Note – Each VMAP can be assigned to only one VLAN or VM group. However, each VLAN or VM group may have multiple VMAPs assigned to it.

The optional `serverports` or `non-serverports` parameter can be specified to apply the action (to add or remove the VMAP) for either the switch server ports (`serverports`) or switch uplink ports (`non-serverports`). If omitted, the operation will be applied to all ports in the associated VLAN or VM group.

Note – VMAPs have a lower priority than port-based ACLs. If both an ACL and a VMAP match a particular packet, both filter actions will be applied as long as there is no conflict. In the event of a conflict, the port ACL will take priority, though switch statistics will count matches for both the ACL and VMAP.

VM Policy Bandwidth Control

Note – VM policy bandwidth control is supported only when the switch is operating with the Default deployment profile (see “[Deployment Profiles](#)” on page 147). If using the Routing profile, VM policy bandwidth control commands will not be available.

In a virtualized environment where VEs can migrate between hypervisors and thus move among different ports on the switch, traffic bandwidth policies must be attached to VEs, rather than to a specific switch port.

VM Policy Bandwidth Control allows the administrator to specify the amount of data the switch will permit to flow from a particular VE, without defining a complicated matrix of ACLs or VMAPs for all port combinations where a VE may appear.

VM Policy Bandwidth Control Commands

VM Policy Bandwidth Control can be configured using the following configuration commands:

```
RS G8124(config)# virt vmpolicy vmbwidth <VM MAC> | <index> | <UUID> |
    <IPv4 address> | <name> ?
    txrate <committed rate> <burst> [ <ACL number> ]           (Set the VM to switch rate)
    bwctrl                                                    (Enable bandwidth control)
```

Bandwidth allocation can be defined for transmit (TX) traffic only. Because bandwidth allocation is specified from the perspective of the VE, the switch command for TX Rate Control (`txrate`) sets the data rate to be sent from the VM to the switch.

The *committed rate* is specified in multiples of 64 kbps, from 64 to 10,000,000. The maximum *burst* rate is specified as 32, 64, 128, 256, 1024, 2048, or 4096 kb. If both the committed rate and burst are set to 0, bandwidth control will be disabled.

When `txrate` is specified, the switch automatically selects an available ACL for internal use with bandwidth control. Optionally, if automatic ACL selection is not desired, a specific ACL may be selected. If there are no unassigned ACLs available, `txrate` cannot be configured.

Bandwidth Policies vs. Bandwidth Shaping

VM Profile Bandwidth Shaping differs from VM Policy Bandwidth Control.

VM Profile Bandwidth Shaping (see “[VM Profiles](#)” on page 169) is configured per VM group and is enforced on the server by a virtual switch in the hypervisor. Shaping is unidirectional and limits traffic transmitted from the virtual switch to the G8124. Shaping is performed prior to transmit VM Policy Bandwidth Control. If the egress traffic for a virtual switch port group exceeds shaping parameters, the traffic is dropped by the virtual switch in the hypervisor. Shaping uses server CPU resources, but prevents extra traffic from consuming bandwidth between the server and the G8124. Shaping is not supported simultaneously on the same ports as vNICs.

VM Policy Bandwidth Control is configured per VE, and can be set independently for transmit traffic. Bandwidth policies are enforced by the G8124. VE traffic that exceeds configured levels is dropped by the switch upon ingress. Setting `txrate` uses ACL resources on the switch.

Bandwidth shaping and bandwidth policies can be used separately or in concert.

VMready Information Displays

The G8124 can be used to display a variety of VMready information.

Note – Some displays depict information collected from scans of a VMware vCenter and may not be available without a valid vCenter. If a vCenter is assigned (see [“Assigning a vCenter”](#) on page 172), scan information might not be available for up to two minutes after the switch boots or when VMready is first enabled. Also, any major changes made through the vCenter may take up to two minutes to be reflected on the switch unless you force an immediate vCenter scan (see [“vCenter Scans”](#) on page 173).

Local VE Information

A concise list of local VEs and pre-provisioned VEs is available with the following ISCLI privileged EXEC command:

```
RS G8124# show virt vm
```

IP Address	VMAC Address	Index	Port	VM Group (Profile)
*172.16.46.50	00:50:56:4e:62:00	4	3	
*172.16.46.10	00:50:56:4f:f2:00	2	4	
+172.16.46.51	00:50:56:72:ec:00	1	3	
+172.16.46.11	00:50:56:7c:1c:00	3	4	
172.16.46.25	00:50:56:9c:00:00	5	4	
172.16.46.15	00:50:56:9c:21:00	0	4	
172.16.46.35	00:50:56:9c:29:00	6	3	
172.16.46.45	00:50:56:9c:47:00	7	3	

Number of entries: 8

* indicates VMware ESX Service Console Interface

+ indicates VMware ESX/ESXi VMKernel or Management Interface

Note – The Index numbers shown in the VE information displays can be used to specify a particular VE in configuration commands.

If a vCenter is available, more verbose information can be obtained using the following ISCLI privileged EXEC command option:

```

RS G8124# show virt vm -v

```

Index	MAC Address, IP Address	Name (VM or Host), @Host (VMs only)	Port, VLAN	Group	Vswitch, Port Group
0	00:50:56:9c:21:2f 172.16.46.15	atom @172.16.46.10	4 500		vSwitch0 Eng_A
+1	00:50:56:72:ec:86 172.16.46.51	172.16.46.50	3 0		vSwitch0 VMkernel
*2	00:50:56:4f:f2:85 172.16.46.10	172.16.46.10	4 0		vSwitch0 Mgmt
+3	00:50:56:7c:1c:ca 172.16.46.11	172.16.46.10	4 0		vSwitch0 VMkernel
*4	00:50:56:4e:62:f5 172.16.46.50	172.16.46.50	3 0		vSwitch0 Mgmt
5	00:50:56:9c:00:c8 172.16.46.25	quark @172.16.46.10	4 0		vSwitch0 Corp
6	00:50:56:9c:29:29 172.16.46.35	particle @172.16.46.50	3 0		vSwitch0 VM Network
7	00:50:56:9c:47:fd 172.16.46.45	nucleus @172.16.46.50	3 0		vSwitch0 Finance

```

--
12 of 12 entries printed
* indicates VMware ESX Service Console Interface
+ indicates VMware ESX/ESXi VMkernel or Management Interface

```

To view additional detail regarding any specific VE, see [“vCenter VE Details” on page 183](#)).

vCenter Hypervisor Hosts

If a vCenter is available, the following ISCLI privileged EXEC command displays the name and UUID of all VMware hosts, providing an essential overview of the data center:

```
RS G8124# show virt vmware hosts
UUID                                     Name(s), IP Address
-----
00a42681-d0e5-5910-a0bf-bd23bd3f7800  172.16.41.30
002e063c-153c-dd11-8b32-a78dd1909a00  172.16.46.10
00f1fe30-143c-dd11-84f2-a8ba2cd7ae00  172.16.44.50
0018938e-143c-dd11-9f7a-d8defa4b8300  172.16.46.20
...
```

Using the following command, the administrator can view more detailed vCenter host information, including a list of virtual switches and their port groups, as well as details for all associated VEs:

```
RS G8124# show virt vmware showhost {<UUID>|<IPv4 address>|<host name>}
Vswitches available on the host:
      vSwitch0
Port Groups and their Vswitches on the host:
      BNT_Default          vSwitch0
      VM Network          vSwitch0
      Service Console     vSwitch0
      VMkernel            vSwitch0
-----
MAC Address      00:50:56:9c:21:2f
Port            4
Type           Virtual Machine
VM vCenter Name halibut
VM OS hostname  localhost.localdomain
VM IP Address   172.16.46.15
VM UUID        001c41f3-ccd8-94bb-1b94-6b94b03b9200
Current VM Host 172.16.46.10
Vswitch         vSwitch0
Port Group      BNT_Default
VLAN ID         0
...
```

vCenter VEs

If a vCenter is available, the following ISCLI privileged EXEC command displays a list of all known VEs:

```
RS G8124# show virt vmware vms
UUID                                     Name(s), IP Address
-----
001cdf1d-863a-fa5e-58c0-d197ed3e3300  30vm1
001c1fba-5483-863f-de04-4953b5caa700  VM90
001c0441-c9ed-184c-7030-d6a6bc9b4d00  VM91
001cc06e-393b-a36b-2da9-c71098d9a700  vm_new
001c6384-f764-983c-83e3-e94fc78f2c00  sturgeon
001c7434-6bf9-52bd-c48c-a410da0c2300  VM70
001cad78-8a3c-9cbe-35f6-59ca5f392500  VM60
001cf762-a577-f42a-c6ea-090216c11800  30VM6
001c41f3-ccd8-94bb-1b94-6b94b03b9200  halibut, localhost.localdomain,
172.16.46.15
001cf17b-5581-ea80-c22c-3236b89ee900  30vm5
001c4312-a145-bf44-7edd-49b7a2fc3800  vm3
001caf40-a40a-de6f-7b44-9c496f123b00  30VM7
```

vCenter VE Details

If a vCenter is available, the following ISCLI privileged EXEC command displays detailed information about a specific VE:

```
RS G8124# show virt vmware showvm {<VM UUID> | <VM IPv4 address> | <VM name>}
-----
MAC Address      00:50:56:9c:21:2f
Port             4
Type             Virtual Machine
VM vCenter Name  halibut
VM OS hostname  localhost.localdomain
VM IP Address    172.16.46.15
VM UUID          001c41f3-ccd8-94bb-1b94-6b94b03b9200
Current VM Host  172.16.46.10
Vswitch          vSwitch0
Port Group       BNT_Default
VLAN ID          0
```

VMready Configuration Example

This example has the following characteristics:

- A VMware vCenter is fully installed and configured prior to VMready configuration and includes a “bladevm” administration account and a valid SSL certificate.
- The distributed VM group model is used.
- The VM profile named “Finance” is configured for VLAN 30, and specifies NIC-to-switch bandwidth shaping for 1Mbps average bandwidth, 2MB bursts, and 3Mbps maximum bandwidth.
- The VM group includes four discovered VMs on switch server ports 1 and 2, and one static trunk (previously configured) that includes switch uplink ports 3 and 4.

1. Define the server ports.

```
RS G8124(config)# system server-ports port 1-2
```

2. Enable the VMready feature.

```
RS G8124(config)# virt enable
```

3. Specify the VMware vCenter IPv4 address.

```
RS G8124(config)# virt vmware vmware vcspec 172.16.100.1 bladevm
```

When prompted, enter the user password that the switch must use for access to the vCenter.

4. Create the VM profile.

```
RS G8124(config)# virt vmprofile Finance  
RS G8124(config)# virt vmprofile edit Finance vlan 30  
RS G8124(config)# virt vmprofile edit Finance shaping 1000 2000 3000
```


5. Define the VM group.

```
RS G8124(config)# virt vmgroup 1 profile Finance
RS G8124(config)# virt vmgroup 1 vm arctic
RS G8124(config)# virt vmgroup 1 vm monster
RS G8124(config)# virt vmgroup 1 vm sierra
RS G8124(config)# virt vmgroup 1 vm 00:50:56:4f:f2:00
RS G8124(config)# virt vmgroup 1 portchannel 1
```

When VMs are added, the server ports on which they appear are automatically added to the VM group. In this example, there is no need to manually add ports 1 and 2.

Note – VM groups and vNICs (see “Virtual NICs” on page 153) are not supported simultaneously on the same switch ports.

6. If necessary, enable VLAN tagging for the VM group:

```
RS G8124(config)# virt vmgroup 1 tag
```

Note – If the VM group contains ports which also exist in other VM groups, tagging should be enabled in both VM groups. In this example configuration, no ports exist in more than VM group.

7. Save the configuration.

CHAPTER 14

FCoE and CEE

This chapter provides conceptual background and configuration examples for using Converged Enhanced Ethernet (CEE) features of the RackSwitch G8124, with an emphasis on Fibre Channel over Ethernet (FCoE) solutions. The following topics are addressed in this chapter:

- [“Fibre Channel over Ethernet” on page 189](#)

Fibre Channel over Ethernet (FCoE) allows Fibre Channel traffic to be transported over Ethernet links. This provides an evolutionary approach toward network consolidation, allowing Fibre Channel equipment and tools to be retained, while leveraging cheap, ubiquitous Ethernet networks for growth.

- [“FCoE Initialization Protocol Snooping” on page 195](#)

Using FCoE Initialization Protocol (FIP) snooping, the G8124 examines the FIP frames exchanged between ENodes and FCFs. This information is used to dynamically determine the ACLs required to block certain types of undesired or unvalidated traffic on FCoE links.

- [“Converged Enhanced Ethernet” on page 192](#)

Converged Enhanced Ethernet (CEE) refers to a set of IEEE standards developed primarily to enable FCoE, requiring enhancing the existing Ethernet standards to make them lossless on a per-priority traffic basis, and providing a mechanism to carry converged (LAN/SAN/IPC) traffic on a single physical link. CEE features can also be utilized in traditional LAN (non-FCoE) networks to provide lossless guarantees on a per-priority basis, and to provide efficient bandwidth allocation.

- [“Priority-Based Flow Control” on page 200](#)

Priority-Based Flow Control (PFC) extends 802.3x standard flow control to allow the switch to pause traffic based on the 802.1p priority value in each packet’s VLAN tag. PFC is vital for FCoE environments, where SAN traffic must remain lossless and should be paused during congestion, while LAN traffic on the same links should be delivered with “best effort” characteristics.

- [“Enhanced Transmission Selection” on page 204](#)

Enhanced Transmission Selection (ETS) provides a method for allocating link bandwidth based on the 802.1p priority value in each packet’s VLAN tag. Using ETS, different types of traffic (such as LAN, SAN, and management) that are sensitive to different handling criteria can be configured either for specific bandwidth characteristics, low-latency, or best-effort transmission, despite sharing converged links as in an FCoE environment.

- [“Data Center Bridging Capability Exchange” on page 211](#)

Data Center Bridging Capability Exchange Protocol (DCBX) allows neighboring network devices to exchange information about their capabilities. This is used between CEE-capable devices for the purpose of discovering their peers, negotiating peer configurations, and detecting misconfigurations.

Fibre Channel over Ethernet

Fibre Channel over Ethernet (FCoE) is an effort to converge two of the different physical networks in today's data centers. It allows Fibre Channel traffic (such as that commonly used in Storage Area Networks, or SANs) to be transported without loss over 10Gb Ethernet links (typically used for high-speed Local Area Networks, or LANs). This provides an evolutionary approach toward network consolidation, allowing Fibre Channel equipment and tools to be retained, while leveraging cheap, ubiquitous Ethernet networks for growth.

With server virtualization, servers capable of hosting both Fibre Channel and Ethernet applications will provide advantages in server efficiency, particularly as FCoE-enabled network adapters provide consolidated SAN and LAN traffic capabilities.

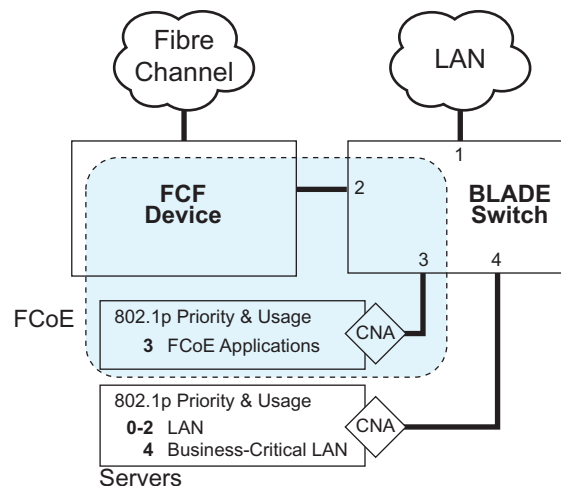
The RackSwitch G8124 with BLADEOS 6.5 software is compliant with the INCITS T11.3, FC-BB-5 FCoE specification.

The FCoE Topology

In an end-to-end Fibre Channel network, switches and end devices generally establish trusted, point-to-point links. Fibre Channel switches validate end devices, enforce zoning configurations and device addressing, and prevent certain types of errors and attacks on the network.

In a converged FCoE network where Fibre Channel devices are bridged to Ethernet devices, although the direct point-to-point assurances normally provided by the Fibre Channel fabric may be lost in the transition between the different network types, the G8124 provides a solution.

Figure 22 A Mixed Fibre Channel and FCoE Network



In [Figure 22 on page 189](#), the Fibre Channel network is connected to the FCoE network through an FCoE Forwarder (FCF). The FCF acts as a Fibre Channel gateway to and from the FCoE network.

For the FCoE portion of the network, the FCF is connected to the FCoE-enabled G8124, which is connected to a server (running Fibre Channel applications) through an FCoE-enabled Converged Network Adapter (CNA) known in Fibre Channel as Ethernet Nodes (ENodes).

BLADEOS 6.5 does not support port trunking for FCoE connections. Optionally, multiple ports can be used to connect the FCF to the G8124. However, if such a topology is used, the ports should not be configured as a trunk on the G8124. The FCF is responsible for handling the multiple port topology.

Note – The figure also shows a non-FCoE LAN server connected to the G8124 using a CNA. This allows the LAN server to take advantage of some CEE features that are useful even outside of an FCoE environment.

In order to block undesired or unvalidated traffic on FCoE links that exists outside the regular Fibre Channel topology, Ethernet ports used in FCoE are configured with Access Control Lists (ACLs) that are narrowly tailored to permit expected FCoE traffic to and from confirmed FCFs and ENodes, and deny all other FCoE or FIP traffic. This ensures that all FCoE traffic to an from the ENode passes through the FCF.

Because manual ACL configuration is an administratively complex task, the G8124 can automatically and dynamically configure the ACLs required for use with FCoE. Using FCoE Initialization Protocol (FIP) snooping (see [“FCoE Initialization Protocol Snooping” on page 195](#)), the G8124 examines the FIP frames normally exchanged between the FCF and ENodes to determine information about connected FCoE devices. This information is used to automatically determine the appropriate ACLs required to block certain types of undesired or unvalidated FCoE traffic.

Automatic FCoE-related ACLs are independent from ACLs used for typical Ethernet purposes.

FCoE Requirements

The following are required for implementing FCoE using the RackSwitch G8124 (G8124) with BLADEOS 6.5 software:

- The G8124 must be connected to the Fibre Channel network through an FCF such as a Cisco Nexus 5000 Series Switch.
- For each G8124 port participating in FCoE, the connected server must use the supported FCoE CNA. The QLogic CNA is currently the first CNA supported for this purpose.
- CEE must be turned on (see [“Turning CEE On or Off” on page 192](#)). When CEE is on, the DCBX, PFC, and ETS features are enabled and configured with default FCoE settings. These features may be reconfigured, but must remain enabled in order for FCoE to function.
- FIP snooping must be turned on (see [“FCoE Initialization Protocol Snooping” on page 195](#)). When FIP snooping is turned on, the feature is enabled on all ports by default. The administrator can disable FIP snooping on individual ports that do not require FCoE, but FIP snooping must remain enabled on all FCoE ports in order for FCoE to function.

Note – FCoE and vNICs (see [“Virtual NICs” on page 153](#)) are not supported simultaneously on the same G8124.

Converged Enhanced Ethernet

Converged Enhanced Ethernet (CEE) refers to a set of IEEE standards designed to allow different physical networks with different data handling requirements to be converged together, simplifying management, increasing efficiency and utilization, and leveraging legacy investments without sacrificing evolutionary growth.

CEE standards were developed primarily to enable Fibre Channel traffic to be carried over Ethernet networks. This required enhancing the existing Ethernet standards to make them lossless on a per-priority traffic basis, and to provide a mechanism to carry converged (LAN/SAN/IPC) traffic on a single physical link. Although CEE standards were designed with FCoE in mind, they are not limited to FCoE installations. CEE features can be utilized in traditional LAN (non-FCoE) networks to provide lossless guarantees on a per-priority basis, and to provide efficient bandwidth allocation based on application needs.

Turning CEE On or Off

By default on the G8124, CEE is turned off. To turn CEE on or off, use the following CLI commands:

```
RS G8124(config)# [no] cee enable
```



Caution—Turning CEE on will automatically change some 802.1p QoS and 802.3x standard flow control settings on the G8124. Read the following material carefully to determine whether you will need to take action to reconfigure expected settings.

It is recommended that you backup your configuration prior to turning CEE on. Viewing the file will allow you to manually re-create the equivalent configuration once CEE is turned on, and will also allow you to recover your prior configuration if you need to turn CEE off.

Effects on Link Layer Discovery Protocol

When CEE is turned on, Link Layer Discovery Protocol (LLDP) is automatically turned on and enabled for receiving and transmitting DCBX information. LLDP cannot be turned off while CEE is turned on.

Effects on 802.1p Quality of Service

While CEE is off (the default), the G8124 allows 802.1p priority values to be used for Quality of Service (QoS) configuration (see [page 133](#)). 802.1p QoS default settings are shown in [Table 16](#), but can be changed by the administrator.

When CEE is turned on, 802.1p QoS is replaced by ETS (see “[Enhanced Transmission Selection](#)” [on page 204](#)). As a result, while CEE is turned on, the 802.1p QoS configuration commands are no longer available on the switch (the menu is restored when CEE is turned off).

In addition, when CEE is turned on, prior 802.1p QoS settings are replaced with new defaults designed for use with ETS priority groups (PGIDs) as shown in [Table 16](#):

Table 16 CEE Effects on 802.1p Defaults

802.1p QoS Configuration With CEE Off (default)			ETS Configuration With CEE On		
Priority	COSq	Weight	Priority	COSq	PGID
0	0	2	0	2	2
1	0	2	1	2	2
2	0	2	2	2	2
3	0	2	3	3	3
4	1	4	4	4	4
5	1	4	5	4	4
6	1	4	6	4	4
7	1	4	7	7	15

When CEE is on, the default ETS configuration also allocates a portion of link bandwidth to each PGID as shown in [Table 17](#):

Table 17 Default ETS Bandwidth Allocation

PGID	Typical Use	Bandwidth
2	LAN	10%
3	SAN	50%
4	Latency-sensitive LAN	40%

If the prior, non-CEE configuration used 802.1p priority values for different purposes, or does not expect bandwidth allocation as shown in [Table 17 on page 193](#), when CEE is turned on, the administrator should reconfigure ETS settings as appropriate.

Each time CEE is turned on or off, the appropriate ETS or 802.1p QoS default settings shown in [Table 16 on page 193](#) are restored, and any manual settings made to prior ETS or 802.1p QoS configurations are cleared.

It is recommended that a configuration backup be made prior to turning CEE on or off. Viewing the configuration file will allow the administrator to manually re-create the equivalent configuration under the new CEE mode, and will also allow for the recovery of the prior configuration if necessary.

Effects on Flow Control

When CEE is off (the default), 802.3x standard flow control is enabled on all switch ports by default.

When CEE is turned on, standard flow control is disabled on all ports, and in its place, PFC (see [“Priority-Based Flow Control” on page 200](#)) is enabled on all ports for 802.1p priority value 3. This default is chosen because priority value 3 is commonly used to identify FCoE traffic in a CEE environment and must be guaranteed lossless behavior. PFC is disabled for all other priority values.

Each time CEE is turned off, the prior 802.3x standard flow control settings will be restored (including any previous changes from the defaults). However, each time CEE is turned on, the default PFC settings are restored and any prior manual PFC configuration is cleared.

It is recommend that a configuration backup be made prior to turning CEE on or off. Viewing the configuration file will allow the administrator to manually re-create the equivalent configuration under the new CEE mode, and will also allow for the recovery of the prior configuration if necessary.

When CEE is on, PFC can be enabled only on priority value 3 and one other priority. If flow control is required on additional priorities on any given port, consider using standard flow control on that port, so that regardless of which priority traffic becomes congested, a flow control frame is generated.

FCoE Initialization Protocol Snooping

FCoE Initialization Protocol (FIP) snooping is an FCoE feature. In order to enforce point-to-point links for FCoE traffic outside the regular Fibre Channel topology, Ethernet ports used in FCoE can be automatically and dynamically configured with Access Control Lists (ACLs).

Using FIP snooping, the G8124 examines the FIP frames normally exchanged between the FCF and ENodes to determine information about connected FCoE devices. This information is used to create narrowly tailored ACLs that permit expected FCoE traffic to and from confirmed Fibre Channel nodes, and deny all other undesirable FCoE or FIP traffic.

Global FIP Snooping Settings

By default, the FIP snooping feature is turned off for the G8124. The following commands are used to turn the feature on or off:

```
RS G8124(config)# [no] fcoe fips enable
```

Note – FIP snooping requires CEE to be turned on (see “[Turning CEE On or Off](#)” on page 192).

When FIP snooping is on, port participation may be configured on a port-by-port basis (see below).

When FIP snooping is off, all FCoE-related ACLs generated by the feature are removed from all switch ports.

FIP Snooping for Specific Ports

When FIP snooping is globally turned on (see above), ports may be individually configured for participation in FIP snooping and automatic ACL generation. By default, FIP snooping is enabled for each port. To change the setting for any specific port, use the following CLI commands:

```
RS G8124(config)# [no] fcoe fips port <port alias, number, list, or range> enable
```

When FIP snooping is enabled on a port, FCoE-related ACLs will be automatically configured.

When FIP snooping is disabled on a port, all FCoE-related ACLs on the port are removed, and the switch will enforce no FCoE-related rules for traffic on the port.

Port FCF and ENode Detection

When FIP snooping is enabled on a port, the port is placed in FCF auto-detect mode by default. In this mode, the port assumes connection to an ENode unless FIP packets show the port is connected to an FCF.

Ports can also be specifically configured as to whether automatic FCF detection should be used, or whether the port is connected to an FCF or ENode:

```
RS G8124(config)# fcoe fips port <ports> fcf-mode {auto|on|off}
```

When FCF mode is `on`, the port is assumed to be connected to a trusted FCF, and only ACLs appropriate to FCFs will be installed on the port. When `off`, the port is assumed to be connected to an ENode, and only ACLs appropriate to ENodes will be installed. When the mode is changed (either through manual configuration or as a result of automatic detection), the appropriate ACLs are automatically added, removed, or changed to reflect the new FCF or ENode connection.

FCoE Connection Timeout

FCoE-related ACLs are added, changed, and removed as FCoE device connection and disconnection are discovered. In addition, the administrator can enable or disable automatic removal of ACLs for FCFs and other FCoE connections that timeout (fail or are disconnected) without FIP notification.

By default, automatic removal of ACLs upon timeout is enabled. To change this function, use the following CLI command:

```
RS G8124(config)# [no] fcoe fips timeout-acl
```

FCoE ACL Rules

When FIP Snooping is enabled on a port, the switch automatically installs the appropriate ACLs to enforce the following rules for FCoE traffic:

- Ensure that FIP frames from ENodes may only be addressed to FCFs.
- Flag important FIP packets for switch processing.
- Ensure no end device uses an FCF MAC address as its source.
- Each FCoE port is assumed to be connected to an ENode and include ENode-specific ACLs installed, until the port is either detected or configured to be connected to an FCF.
- Ports that are configured to have FIP snooping disabled will not have any FIP or FCoE related ACLs installed.
- Prevent transmission of all FCoE frames from an ENode prior to its successful completion of login (FLOGI) to the FCF.
- After successful completion of FLOGI, ensure that the ENode uses only those FCoE source addresses assigned to it by FCF.
- After successful completion of FLOGI, ensure that all ENode FCoE source addresses originate from or are destined to the appropriate ENode port.
- After successful completion of each FLOGI, ensure that FCoE frames may only be addressed to the FCFs that accept them.

Initially, a basic set of FCoE-related ACLs will be installed on all ports where FIP snooping is enabled. As the switch encounters FIP frames and learns about FCFs and ENodes that are attached or disconnect, ACLs are dynamically installed or expanded to provide appropriate security.

When an FCoE connection logs out, or times out (if ACL timeout is enabled), the related ACLs will be automatically removed.

FCoE-related ACLs are independent of manually configured ACLs used for regular Ethernet purposes (see [“Access Control Lists” on page 75](#)). FCoE ACLs generally have a higher priority over standard ACLs, and do not inhibit non-FCoE and non-FIP traffic.

FCoE VLANs

FCoE packets to any FCF will be confined to the VLAN advertised by the FCF (typically VLAN 1002). The appropriate VLAN must be configured on the switch with member FCF ports and must be supported by the participating CNAs. The switch will then automatically add ENode ports to the appropriate VLAN and enable tagging on those ports.

Viewing FIP Snooping Information

ACLs automatically generated under FIP snooping are independent of regular, manually configure ACLs, and are not listed with regular ACLs in switch information and statistics output. Instead, FCoE ACLs are shown using the following CLI commands:

```
RS G8124# show fcoe fips information           (Show all FIP-related information)
RS G8124# show fcoe fips port <ports>       (Show FIP info for a selected port)
```

For example:

```
RS G8124# show fcoe fips port 2

FIP Snooping on port 2:
This port has been detected to be an FCF port.

FIPS ACLs configured on this port:
Ethertype 0x8914, action permit.
dmac 00:00:18:01:00:XX, Ethertype 0x8914, action permit.
```

For each ACL, the required traffic criteria are listed, along with the action taken (permit or deny) for matching traffic. ACLs are listed in order of precedence and evaluated in the order shown.

The administrator can also view other FCoE information:

```
RS G8124# show fcoe fips fcf                 (Show all detected FCFs)
RS G8124# show fcoe fips fcoe               (Show all FCoE connections)
```

Operational Commands

The administrator may use the operational commands to delete FIP-related entries from the switch.

To delete a specific FCF entry and all associated ACLs from the switch, use the following command:

```
RS G8124# no fcoe fips fcf <FCF MAC address>
```

FIP Snooping Configuration

In this example, as shown in [Figure 22 on page 189](#), FCoE devices are connected to port 2 for the FCF device, and port 3 for an ENode. FIP snooping can be configured on these ports using the following ISCLI commands:

1. Enable VLAN tagging on the FCoE ports:

```
RS G8124(config)# interface port 2,3           (Select FCoE ports)
RS G8124(config-if)# tagging                 (Enable VLAN tagging)
RS G8124(config-if)# exit                    (Exit port configuration mode)
```

2. Place FCoE ports into a VLAN supported by the FCF and CNAs (typically VLAN 1002):

```
RS G8124(config)# vlan 1002                  (Select a VLAN)
RS G8124(config-vlan)# member 2,3           (Add FCoE ports to the VLAN)
RS G8124(config-vlan)# enable               (Enable the VLAN)
RS G8124(config-vlan)# exit                 (Exit VLAN configuration mode)
```

Note – Placing ports into the VLAN ([Step 2](#)) *after* tagging is enabled ([Step 1](#)) helps to ensure that their port VLAN ID (PVID) is not accidentally changed.

3. Turn CEE on.

```
RS G8124(config)# cee enable
```

Note – Turning CEE on will automatically change some 802.1p QoS and 802.3x standard flow control settings and menus (see [“Turning CEE On or Off” on page 192](#)).

4. Turn global FIP snooping on:

```
RS G8124(config)# fcoe fips enable
```

5. Enable FIP snooping on FCoE ports, and set the desired FCF mode:

```
RS G8124(config)# fcoe fips port 2 enable    (Enable FIPS on port 2)
RS G8124(config)# fcoe fips port 2 fcf-mode on (Set as FCF connection)
RS G8124(config)# fcoe fips port 2 enable    (Enable FIPS on port 3)
RS G8124(config)# fcoe fips port 3 fcf-mode off (Set as ENode connection)
```

Note – By default, FIP snooping is enabled on all ports and the FCF mode set for automatic detection. The configuration in this step is unnecessary, if default settings have not been changed, and is shown merely as a manual configuration example.

6. Save the configuration.

Priority-Based Flow Control

Priority-based Flow Control (PFC) is defined in IEEE 802.1Qbb. PFC extends the IEEE 802.3x standard flow control mechanism. Under standard flow control, when a port becomes busy, the switch manages congestion by pausing all the traffic on the port, regardless of the traffic type. PFC provides more granular flow control, allowing the switch to pause specified types of traffic on the port, while other traffic on the port continues.

PFC pauses traffic based on 802.1p priority values in the VLAN tag. The administrator can assign different priority values to different types of traffic and then enable PFC for up to two specific priority values: priority value 3, and one other. The configuration can be applied globally for all ports on the switch. Then, when traffic congestion occurs on a port (caused when ingress traffic exceeds internal buffer thresholds), only traffic with priority values where PFC is enabled is paused. Traffic with priority values where PFC is disabled proceeds without interruption but may be subject to loss if port ingress buffers become full.

Although PFC is useful for a variety of applications, it is required for FCoE implementation where storage (SAN) and networking (LAN) traffic are converged on the same Ethernet links. Typical LAN traffic tolerates Ethernet packet loss that can occur from congestion or other factors, but SAN traffic must be lossless and requires flow control.

For FCoE, standard flow control would pause both SAN and LAN traffic during congestion. While this approach would limit SAN traffic loss, it could degrade the performance of some LAN applications that expect to handle congestion by dropping traffic. PFC resolves these FCoE flow control issues. Different types of SAN and LAN traffic can be assigned different IEEE 802.1p priority values. PFC can then be enabled for priority values that represent SAN and LAN traffic that must be paused during congestion, and disabled for priority values that represent LAN traffic that is more loss-tolerant.

PFC requires CEE to be turned on (“[Turning CEE On or Off](#)” on page 192). When CEE is turned on, PFC is enabled on priority value 3 by default. Optionally, the administrator can also enable PFC on one other priority value, providing lossless handling for another traffic type, such as for a business-critical LAN application.

Note – For any given port, only one flow control method can be implemented at any given time: either PFC or standard IEEE 802.3x flow control.

Global Configuration

PFC requires CEE to be turned on (“[Turning CEE On or Off](#)” on page 192). When CEE is turned on, standard flow control is disabled on all ports, and PFC is enabled on all ports for 802.1p priority value 3. While CEE is turned on, PFC cannot be disabled for priority value 3. This default is chosen because priority value 3 is commonly used to identify FCoE traffic in a CEE environment and must be guaranteed lossless behavior. PFC is disabled for all other priority values by default, but can be enabled for one additional priority value.

- Global PFC configuration is preferable in networks that implement end-to-end CEE devices. For example, if all ports are involved with FCoE and can use the same SAN and LAN priority value configuration with the same PFC settings, global configuration is easy and efficient.
- Global PFC configuration can also be used in some mixed environments where traffic with PFC-enabled priority values occurs only on ports connected to CEE devices, and not on any ports connected to non-CEE devices. In such cases, PFC can be configured globally on specific priority values even though not all ports make use them.
- PFC is not restricted to CEE and FCoE networks. In any LAN where traffic is separated into different priorities, PFC can be enabled on priority values for loss-sensitive traffic. If all ports have the same priority definitions and utilize the same PFC strategy, PFC can be globally configured.

Note – When using global PFC configuration in conjunction with the ETS feature (see “[Enhanced Transmission Selection](#)” on page 204), ensure that only pause-tolerant traffic (such as lossless FCoE traffic) is assigned priority values where PFC is enabled. Pausing other types of traffic can have adverse effects on LAN applications that expect uninterrupted traffic flow and tolerate dropping packets during congestion.

PFC Configuration Example

Note – DCBX may be configured to permit sharing or learning PFC configuration with or from external devices. This example assumes that PFC configuration is being performed manually. See “Data Center Bridging Capability Exchange” on page 211 for more information on DCBX.

This example is consistent with the network shown in Figure 22 on page 189. In this example, the following topology is used.

Table 18 Port-Based PFC Configuration

Switch Port	802.1p Priority	Usage	PFC Setting
1	0-2	LAN	Disabled
	4	Business-critical LAN	Enabled
	others	(not used)	Disabled
2	3	FCoE (to FCF bridge)	Enabled
	others	(not used)	Disabled
3	3	FCoE	Enabled
	others	(not used)	Disabled
4	0-2	LAN	Disabled
	4	Business-critical LAN	Enabled
	others	(not used)	Disabled

In this example, PFC is to facilitate lossless traffic handling for FCoE (priority value 3) and a business-critical LAN application (priority value 4).

Assuming that CEE is off (the G8124 default), the example topology shown in Table 18 can be configured using the following commands:

1. Turn CEE on.

```
RS G8124(config)# cee enable
```

Note – Turning CEE on will automatically change some 802.1p QoS and 802.3x standard flow control settings and menus (see “Turning CEE On or Off” on page 192).

2. Enable PFC for the FCoE traffic.

Note – PFC is enabled on priority 3 by default. If using the defaults, the manual configuration commands shown in this step are not necessary.

```
RS G8124(config)# cee global pfc priority 3 enable      (Enable on FCoE priority)
RS G8124(config)# cee global pfc priority 3 description "FCoE"
                                                         (Optional description)
```

3. Enable PFC for the business-critical LAN application:

```
RS G8124(config)# cee global pfc priority 4 enable      (Enable on LAN priority)
RS G8124(config)# cee global pfc priority 4 description "Critical LAN"
                                                         (Optional description)
```

4. Save the configuration.

Enhanced Transmission Selection

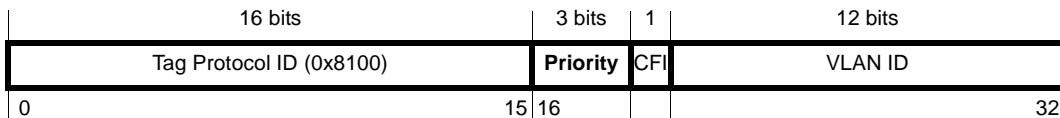
Enhanced Transmission Selection (ETS) is defined in IEEE 802.1Qaz. ETS provides a method for allocating port bandwidth based on 802.1p priority values in the VLAN tag. Using ETS, different amounts of link bandwidth can be specified for different traffic types (such as for LAN, SAN, and management).

ETS is an essential component in a CEE environment that carries different types of traffic, each of which is sensitive to different handling criteria, such as Storage Area Networks (SANs) that are sensitive to packet loss, and LAN applications that may be latency-sensitive. In a single converged link, such as when implementing FCoE, ETS allows SAN and LAN traffic to coexist without imposing contrary handling requirements upon each other.

The ETS feature requires CEE to be turned on (see [“Turning CEE On or Off” on page 192](#)).

802.1p Priority Values

Under the 802.1p standard, there are eight available priority values, with values numbered 0 through 7, which can be placed in the priority field of the 802.1Q VLAN tag:



Servers and other network devices may be configured to assign different priority values to packets belonging to different traffic types (such as SAN and LAN).

ETS uses the assigned 802.1p priority values to identify different traffic types. The various priority values are assigned to priority groups (PGID), and each priority group is assigned a portion of available link bandwidth.

Priorities values within in any specific ETS priority group are expected to have similar traffic handling requirements with respect to latency and loss.

802.1p priority values may be assigned by the administrator for a variety of purposes. However, when CEE is turned on, the G8124 sets the initial default values for ETS configuration as follows:

Figure 23 Default ETS Priority Groups

Typical Traffic Type	802.1p Priority	PGID	Bandwidth Allocation
LAN	0	2	10%
LAN	1		
LAN	2		
SAN	3	3	50%
Latency-Sensitive LAN	4	4	40%
Latency-Sensitive LAN	5		
Latency-Sensitive LAN	6		
Latency-Sensitive LAN	7		

In the assignment model shown in [Figure 23 on page 205](#), priorities values 0 through 2 are assigned for regular Ethernet traffic, which has “best effort” transport characteristics.

Priority 3 is typically used to identify FCoE (SAN) traffic.

Priorities 4-7 are typically used for latency sensitive traffic and other important business applications. For example, priority 4 and 5 are often used for video and voice applications such as IPTV, Video on Demand (VoD), and Voice over IP (VoIP). Priority 6 and 7 are often used for traffic characterized with a “must get there” requirement, with priority 7 used for network control which is requires guaranteed delivery to support configuration and maintenance of the network infrastructure.

Note – The default assignment of 802.1p priority values on the G8124 changes depending on whether CEE is on or off. See [“Turning CEE On or Off” on page 192](#) for details.

Priority Groups

For ETS use, each 801.2p priority value is assigned to a priority group which can then be allocated a specific portion of available link bandwidth. To configure a priority group, the following is required:

- CEE must be turned on (“[Turning CEE On or Off](#)” on page 192) for the ETS feature to function.
- A priority group must be assigned a priority group ID (PGID), one or more 802.1p priority values, and allocated link bandwidth greater than 0%.

PGID

Each priority group is identified with number (0 through 7, and 15) known as the PGID.

PGID 0 through 7 may each be assigned a portion of the switch’s available bandwidth.

PGID 8 through 14 are reserved as per the 802.1Qaz ETS standard.

PGID 15 is a strict priority group. It is generally used for critical traffic, such as network management. Any traffic with priority values assigned to PGID 15 is permitted as much bandwidth as required, up to the maximum available on the switch. After serving PGID 15, any remaining link bandwidth is shared among the other groups, divided according to the configured bandwidth allocation settings.

All 802.1p priority values assigned to a particular PGID should have similar traffic handling requirements. For example, PFC-enabled traffic should not be grouped with non-PFC traffic. Also, traffic of the same general type should be assigned to the same PGID. Splitting one type of traffic into multiple 802.1p priorities, and then assigning those priorities to different PGIDs may result in unexpected network behavior.

Each 802.1p priority value may be assigned to only one PGID. However, each PGID may include multiple priority values. Up to eight PGIDs may be configured at any given time. However, no more than three ETS Priority Groups may include priority values for which PFC is disabled.

Assigning Priority Values to a Priority Group

Each priority group may be configured from its corresponding ETS Priority Group, available using the following command:

```
RS G8124(config)# cee global ets priority-group <group number (0-7, or 15)>
priorities <priority list>
```

where *priority list* is one or more 802.1p priority values (with each separated by a comma). For example, to assign priority values 0 through 2:

```
RS G8124(config)# cee global ets priority-group <group number (0-7, or 15)>
priorities 0,1,2
```

Note – Within any specific PGID, the PFC settings (see [“Priority-Based Flow Control” on page 200](#)) should be the same (enabled or disabled) for all priority values within the group. PFC can be enabled only on priority value 3 and one other priority. If the PFC setting is inconsistent within a PGID, an error is reported when attempting to apply the configuration. Also, no more than three ETS Priority Groups may include priority values for which PFC is disabled.

When assigning priority values to a PGID, the specified priority value will be automatically removed from its old group and assigned to the new group when the configuration is applied.

Each priority value must be assigned to a PGID. Priority values may not be deleted or unassigned. To remove a priority value from a PGID, it must be moved to another PGID.

For PGIDs 0 through 7, bandwidth allocation can also be configured through the ETS Priority Group menu. See for [“Allocating Bandwidth” on page 208](#) for details.

Deleting a Priority Group

A priority group is automatically deleted when it contains no associated priority values, and its bandwidth allocation is set to 0%.

Note – The total bandwidth allocated to PGID 0 through 7 must equal exactly 100%. Reducing the bandwidth allocation of any group will require increasing the allocation to one or more of the other groups (see [“Allocating Bandwidth” on page 208](#)).

Allocating Bandwidth

Allocated Bandwidth for PGID 0 Through 7

The administrator may allocate a portion of the switch's available bandwidth to PGIDs 0 through 7. Available bandwidth is defined as the amount of link bandwidth that remains after priorities within PGID 15 are serviced (see “[Unlimited Bandwidth for PGID 15](#)” on page 208), and assuming that all PGIDs are fully subscribed. If any PGID does not fully consume its allocated bandwidth, the unused portion is made available to the other priority groups.

Priority group bandwidth allocation can be configured using the following command:

```
RS G8124(config)# cee global ets bandwidth <priority group number>
<bandwidth allocation>
```

where *bandwidth allocation* represents the percentage of link bandwidth, specified as a number between 0 and 100, in 10% increments.

The following bandwidth allocation rules apply:

- Bandwidth allocation must be 0% for any PGID that has no assigned 802.1p priority values.
- Any PGID assigned one or more priority values must have a bandwidth allocation greater than 0%.
- Total bandwidth allocation for groups 0 through 7 must equal exactly 100%. Increasing or reducing the bandwidth allocation of any PGID also requires adjusting the allocation of other PGIDs to compensate.
- The total bandwidth allocated to all PGIDs which include priority values where PFC is disabled should not exceed 50%.

If these conditions are not met, the switch will report an error when applying the configuration.

To achieve a balanced bandwidth allocation among the various priority groups, packets are scheduled according to a weighted deficit round-robin (WDRR) algorithm. WDRR is aware of packet sizes, which can vary significantly in a CEE environment, making WDRR more suitable than a regular weighted round-robin (WRR) method, which selects groups based only on packet counts.

Note – Actual bandwidth used by any specific PGID may vary from configured values by up to 10% of the available bandwidth in accordance with 802.1Qaz ETS standard. For example, a setting of 10% may be served anywhere from 0% to 20% of the available bandwidth at any given time.

Unlimited Bandwidth for PGID 15

PGID 15 is permitted unlimited bandwidth and is generally intended for critical traffic (such as switch management). Traffic in this group is given highest priority and is served before the traffic in any other priority group.

If PGID 15 has low traffic levels, most of the switch's bandwidth will be available to serve priority groups 0 through 7. However, if PGID 15 consumes a larger part of the switch's total bandwidth, the amount available to the other groups is reduced.

Note – Consider traffic load when assigning priority values to PGID 15. Heavy traffic in this group may restrict the bandwidth available to other groups.

Configuring ETS

Consider an example consistent with that used for port-based PFC configuration (on [page 202](#)):

Table 19 ETS Configuration

Priority	Usage	PGID	Bandwidth
0	LAN (best effort delivery)	2	10%
1	LAN (best effort delivery)		
2	LAN (best effort delivery)		
3	SAN (Fibre Channel over Ethernet, with PFC)	3	20%
4	Business Critical LAN (lossless Ethernet, with PFC)	4	30%
5	Latency-sensitive LAN	5	40%
6	Latency-sensitive LAN		
7	Network Management (strict)	15	unlimited

The example shown in [Table 19](#) is only slightly different than the default configuration shown in [Figure 23 on page 205](#). In this example, latency-sensitive LAN traffic (802.1p priority 5 through 6) are moved from priority group 4 to priority group 5. This leaves Business Critical LAN traffic (802.1p priority 4) in priority group 4 by itself. Also, a new group for network management traffic has been assigned. Finally, the bandwidth allocation for priority groups 3, 4, and 5 are revised.

Note – DCBX may be configured to permit sharing or learning PFC configuration with or from external devices. This example assumes that PFC configuration is being performed manually. See [“Data Center Bridging Capability Exchange” on page 211](#) for more information on DCBX.

This example can be configured using the following commands:

1. Turn CEE on.

```
RS G8124(config)# cee enable
```

Note – Turning CEE on will automatically change some 802.1p QoS and 802.3x standard flow control settings and menus (see “Turning CEE On or Off” on page 192).

2. Configure each allocated priority group with a description (optional), list of 802.1p priority values, and bandwidth allocation:

```
RS G8124(config)# cee global ets priority-group 2 priorities 0,1,2
                                     (Select a group for regular LAN, and
                                     set for 802.1p priorities 0, 1, and 2)
RS G8124(config)# cee global ets bandwidth 2 10
                                     (Restrict to 10% of link bandwidth)
RS G8124(config)# cee global ets priority-group 2 description
"Regular LAN"
                                     (Set a group description—optional)
RS G8124(config)# cee global ets priority-group 3 priorities 3
                                     (Select a group for SAN traffic, and
                                     set for 802.1p priority 3)
RS G8124(config)# cee global ets bandwidth 3 20
                                     (Restrict to 20% of link bandwidth)
RS G8124(config)# cee global ets priority-group 3 description "SAN"
                                     (Set a group description—optional)
RS G8124(config)# cee global ets priority-group 4 priorities 4
                                     (Select a group for latency traffic,
                                     and set for 802.1p priority 4)
RS G8124(config)# cee global ets bandwidth 4 30
                                     (Restrict to 30% of link bandwidth)
RS G8124(config)# cee global ets priority-group 4 description
"Biz-Critical LAN"
                                     (Set a group description—optional)
```

3. Configure the strict priority group with a description (optional) and a list of 802.1p priority values:

```
RS G8124(config)# cee global ets priority-group 15 priorities 7
                                     (Select a group for strict traffic, and
                                     Set 802.1p priority 7)
RS G8124(config)# cee global ets priority-group 15 description
"Network Management"
                                     (Set a group description—optional)
```

Note – Priority group 15 is permitted unlimited bandwidth. As such, the commands for priority group 15 do not include bandwidth allocation.

4. Save the configuration.

Data Center Bridging Capability Exchange

Data Center Bridging Capability Exchange (DCBX) protocol is a vital element of CEE. DCBX allows peer CEE devices to exchange information about their advanced capabilities. Using DCBX, neighboring network devices discover their peers, negotiate peer configurations, and detect misconfigurations.

DCBX provides two main functions on the G8124:

- Peer information exchange

The switch uses DCBX to exchange information with connected CEE devices. For normal operation of any FCoE implementation on the G8124, DCBX must remain enabled on all ports participating in FCoE.

- Peer configuration negotiation

DCBX also allows CEE devices to negotiate with each other for the purpose of automatically configuring advanced CEE features such as PFC, ETS, and (for some CNAs) FIP. The administrator can determine which CEE feature settings on the switch are communicated to and matched by CEE neighbors, and also which CEE feature settings on the switch may be configured by neighbor requirements.

The DCBX feature requires CEE to be turned on (see [“Turning CEE On or Off” on page 192](#)).

DCBX Settings

When CEE is turned on, DCBX is enabled for peer information exchange on all ports. For configuration negotiation, the following default settings are configured:

- Application Protocol: FCoE and FIP snooping is set for traffic with 802.1p priority 3
- PFC: Enabled on 802.1p priority 3
- ETS
 - Priority group 2 includes priority values 0 through 2, with bandwidth allocation of 10%
 - Priority group 3 includes priority value 3, with bandwidth allocation of 40%
 - Priority group 4 includes priority values 4 through 7, with bandwidth allocation of 50%

Enabling and Disabling DCBX

When CEE is turned on, DCBX can be enabled and disabled on a per-port basis, using the following commands:

```
RS G8124(config)# [no] cee port <port alias or number> dcbx enable
```

Note – DCBX and vNICs (see “Virtual NICs” on page 153) are not supported simultaneously on the same G8124.

When DCBX is enabled on a port, Link Layer Detection Protocol (LLDP) is used to exchange DCBX parameters between CEE peers. Also, the interval for LLDP transmission time is set to one second for the first five initial LLDP transmissions, after which it is returned to the administratively configured value. The minimum delay between consecutive LLDP frames is also set to one second as a DCBX default.

Peer Configuration Negotiation

CEE peer configuration negotiation can be set on a per-port basis for a number of CEE features. For each supported feature, the administrator can configure two independent flags:

- The `advertise` flag

When this flag is set for a particular feature, the switch settings will be transmit to the remote CEE peer. If the peer is capable of the feature, and willing to accept the G8124 settings, it will be automatically reconfigured to match the switch.

- The `willing` flag

Set this flag when required by the remote CEE peer for a particular feature as part of DCBX signaling and support. Although some devices may also expect this flag to indicate that the switch will accept overrides on feature settings, the G8124 retains its configured settings. As a result, the administrator should configure the feature settings on the switch to match those expected by the remote CEE peer.

These flags are available for the following CEE features:

- Application Protocol

DCBX exchanges information regarding FCoE and FIP snooping, including the 802.1p priority value used for FCoE traffic. The `advertise` flag is set or reset using the following command:

```
RS G8124(config)# [no] cee port <port alias or number> dcbx app_proto
advertise
```

The `willing` flag is set or reset using the following command:

```
RS G8124(config)# [no] cee port <port alias or number> dcbx app_proto
willing
```

- PFC

DCBX exchanges information regarding whether PFC is enabled or disabled on the port. The `advertise` flag is set or reset using the following command:

```
RS G8124(config)# [no] cee port <port alias or number> dcbx pfc advertise
```

The `willing` flag is set or reset using the following command:

```
RS G8124(config)# [no] cee port <port alias or number> dcbx pfc willing
```

- ETS

DCBX exchanges information regarding ETS priority groups, including their 802.1p priority members and bandwidth allocation percentages. The `advertise` flag is set or reset using the following command:

```
RS G8124(config)# [no] cee port <port alias or number> dcbx ets advertise
```

The `willing` flag is set or reset using the following command:

```
RS G8124(config)# [no] cee port <port alias or number> dcbx pfc willing
```

Configuring DCBX

Consider an example consistent [Figure 22 on page 189](#) and used with the previous FCoE examples in this chapter:

- FCoE is used on ports 2 and 3.
- CEE features are also used with LANs on ports 1 and 4.
- All other ports are disabled or are connected to regular (non-CEE) LAN devices.

In this example, the G8124 acts as the central point for CEE configuration. FCoE-related ports will be configured for advertising CEE capabilities, but not to accept external configuration. Other LAN ports that use CEE features will also be configured to advertise feature settings to remote peers, but not to accept external configuration. DCBX will be disabled on all non-CEE ports.

This example can be configured using the following commands:

1. Turn CEE on.

```
RS G8124(config)# cee enable
```

Note – Turning CEE on will automatically change some 802.1p QoS and 802.3x standard flow control settings and menus (see [“Turning CEE On or Off” on page 192](#)).

2. Enable desired DCBX configuration negotiation on FCoE ports:

```
RS G8124(config)# cee port 2 dcbx enable
RS G8124(config)# cee port 2 dcbx app_proto advertise
RS G8124(config)# cee port 2 dcbx ets advertise
RS G8124(config)# cee port 2 dcbx pfc advertise

RS G8124(config)# cee port 3 dcbx enable
RS G8124(config)# cee port 3 dcbx app_proto advertise
RS G8124(config)# cee port 3 dcbx ets advertise
RS G8124(config)# cee port 3 dcbx pfc advertise
```

3. Enable desired DCBX advertisements on other CEE ports:

```
RS G8124(config)# cee port 1 dcbx enable
RS G8124(config)# cee port 1 dcbx app_proto advertise
RS G8124(config)# cee port 1 dcbx ets advertise
RS G8124(config)# cee port 1 dcbx pfc advertise

RS G8124(config)# cee port 4 dcbx enable
RS G8124(config)# cee port 4 dcbx app_proto advertise
RS G8124(config)# cee port 4 dcbx ets advertise
RS G8124(config)# cee port 4 dcbx pfc advertise
```

4. Disable DCBX for each non-CEE port as appropriate:

```
RS G8124(config)# no cee port 5-24 dcbx enable
```

5. Save the configuration.

Part 5: IP Routing

This section discusses Layer 3 switching functions. In addition to switching traffic at near line rates, the application switch can perform multi-protocol routing. This section discusses basic routing and advanced routing protocols:

- Basic Routing
- IPv6 Host Management
- Routing Information Protocol (RIP)
- Internet Group Management Protocol (IGMP)
- Border Gateway Protocol (BGP)
- Open Shortest Path First (OSPF)
- Protocol Independent Multicast (PIM)

CHAPTER 15

Basic IP Routing

This chapter provides configuration background and examples for using the G8124 to perform IP routing functions. The following topics are addressed in this chapter:

- [“IP Routing Benefits” on page 219](#)
- [“Routing Between IP Subnets” on page 219](#)
- [“Example of Subnet Routing” on page 221](#)
- [“ECMP Static Routes” on page 225](#)
- [“Dynamic Host Configuration Protocol” on page 227](#)

IP Routing Benefits

The switch uses a combination of configurable IP switch interfaces and IP routing options. The switch IP routing capabilities provide the following benefits:

- Connects the server IP subnets to the rest of the backbone network.
- Provides the ability to route IP traffic between multiple Virtual Local Area Networks (VLANs) configured on the switch.

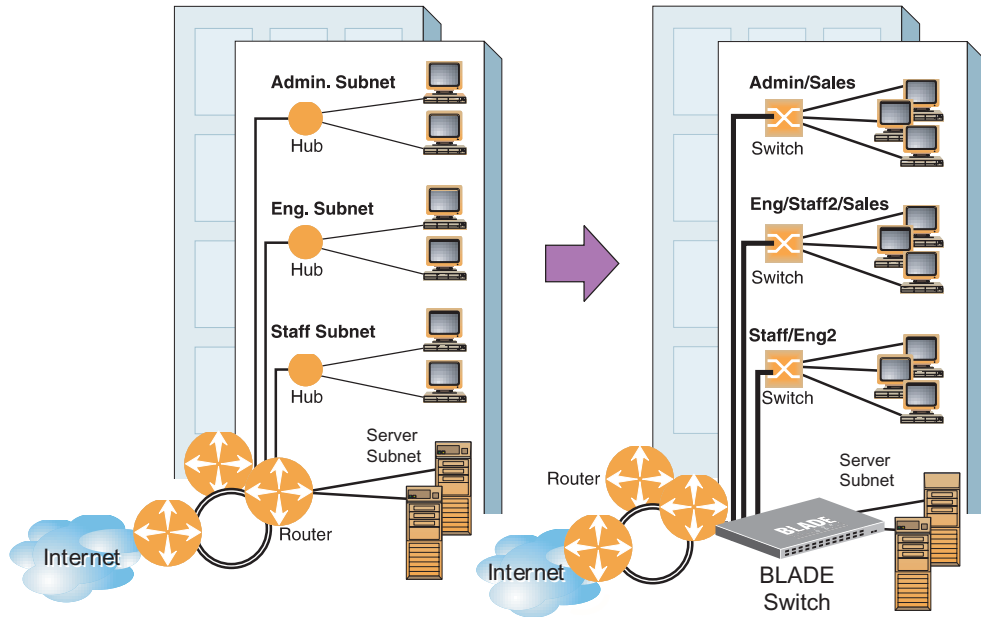
Routing Between IP Subnets

The physical layout of most corporate networks has evolved over time. Classic hub/router topologies have given way to faster switched topologies, particularly now that switches are increasingly intelligent. The G8124 is intelligent and fast enough to perform routing functions on a par with wire speed Layer 2 switching.

The combination of faster routing and switching in a single device provides another service—it allows you to build versatile topologies that account for legacy configurations.

For example, consider the following topology migration:

Figure 24 The Router Legacy Network



In this example, a corporate campus has migrated from a router-centric topology to a faster, more powerful, switch-based topology. As is often the case, the legacy of network growth and redesign has left the system with a mix of illogically distributed subnets.

This is a situation that switching alone cannot cure. Instead, the router is flooded with cross-subnet communication. This compromises efficiency in two ways:

- Routers can be slower than switches. The cross-subnet side trip from the switch to the router and back again adds two hops for the data, slowing throughput considerably.
- Traffic to the router increases, increasing congestion.

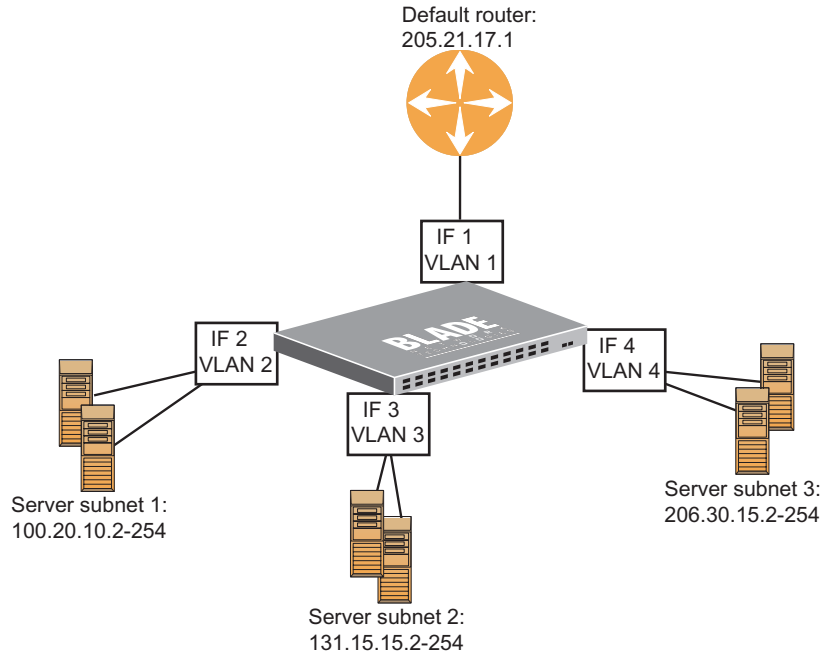
Even if every end-station could be moved to better logical subnets (a daunting task), competition for access to common server pools on different subnets still burdens the routers.

This problem is solved by using switches with built-in IP routing capabilities. Cross-subnet LAN traffic can now be routed within the switches with wire speed Layer 2 switching performance. This not only eases the load on the router but saves the network administrators from reconfiguring each and every end-station with new IP addresses.

Example of Subnet Routing

Consider the role of the G8124 in the following configuration example:

Figure 25 Switch-Based Routing Topology



The switch connects the Gigabit Ethernet and Fast Ethernet trunks from various switched subnets throughout one building. Common servers are placed on another subnet attached to the switch. A primary and backup router are attached to the switch on yet another subnet.

Without Layer 3 IP routing on the switch, cross-subnet communication is relayed to the default gateway (in this case, the router) for the next level of routing intelligence. The router fills in the necessary address information and sends the data back to the switch, which then relays the packet to the proper destination subnet using Layer 2 switching.

With Layer 3 IP routing in place on the switch, routing between different IP subnets can be accomplished entirely within the switch. This leaves the routers free to handle inbound and outbound traffic for this group of subnets.

Using VLANs to Segregate Broadcast Domains

If you want to control the broadcasts on your network, use VLANs to create distinct broadcast domains. Create one VLAN for each server subnet, and one for the router.

Configuration Example

This section describes the steps used to configure the example topology shown in [Figure 25 on page 221](#).

1. Assign an IP address (or document the existing one) for each router and each server.

The following IP addresses are used:

Table 20 Subnet Routing Example: IP Address Assignments

Subnet	Devices	IP Addresses
1	Default router	205.21.17.1
2	Web servers	100.20.10.2-254
3	Database servers	131.15.15.2-254
4	Terminal Servers	206.30.15.2-254

2. Assign an IP interface for each subnet attached to the switch.

Since there are four IP subnets connected to the switch, four IP interfaces are needed:

Table 21 Subnet Routing Example: IP Interface Assignments

Interface	Devices	IP Interface Address
IF 1	Default router	205.21.17.3
IF 2	Web servers	100.20.10.1
IF 3	Database servers	131.15.15.1
IF 4	Terminal Servers	206.30.15.1

- Determine which switch ports and IP interfaces belong to which VLANs.

The following table adds port and VLAN information:

Table 22 Subnet Routing Example: Optional VLAN Ports

Devices	IP Interface	Switch Ports	VLAN #
Default router	1	22	1
Web servers	2	1 and 2	2
Database servers	3	3 and 4	3
Terminal Servers	4	5 and 6	4

Note – To perform this configuration, you must be connected to the switch Command Line Interface (CLI) as the administrator.

- Add the switch ports to their respective VLANs.

The VLANs shown in [Table 22](#) are configured as follows:

```

RS G8124(config)# vlan 1
RS G8124(config-vlan)# member 22           (Add ports to VLAN 1)
RS G8124(config-vlan)# enable
RS G8124(config-vlan)# exit
RS G8124(config)# vlan 2
RS G8124(config-vlan)# member 1,2         (Add ports to VLAN 2)
RS G8124(config-vlan)# enable
RS G8124(config-vlan)# exit
RS G8124(config)# vlan 3
RS G8124(config-vlan)# member 3,4       (Add ports to VLAN 3)
RS G8124(config-vlan)# enable
RS G8124(config-vlan)# exit
RS G8124(config)# vlan 4
RS G8124(config-vlan)# member 5,6     (Add ports to VLAN 4)
RS G8124(config-vlan)# enable
RS G8124(config-vlan)# exit

```

Each time you add a port to a VLAN, you may get the following prompt:

```
Port 4 is an untagged port and its PVID is changed from 1 to 3.
```

5. Assign a VLAN to each IP interface.

Now that the ports are separated into VLANs, the VLANs are assigned to the appropriate IP interface for each subnet. From [Table 22 on page 223](#), the settings are made as follows:

```

RS G8124(config)# interface ip 1                                (Select IP interface 1)
RS G8124(config-ip-if)# ip address 205.21.17.3
RS G8124(config-ip-if)# ip netmask 255.255.255.0
RS G8124(config-ip-if)# vlan 1                                (Add VLAN 1)
RS G8124(config-ip-if)# enable
RS G8124(config-vlan)# exit
RS G8124(config)# interface ip 2                                (Select IP interface 2)
RS G8124(config-ip-if)# ip address 100.20.10.1
RS G8124(config-ip-if)# ip netmask 255.255.255.0
RS G8124(config-ip-if)# vlan 2                                (Add VLAN 2)
RS G8124(config-ip-if)# enable
RS G8124(config-ip-if)# exit
RS G8124(config)# interface ip 3                                (Select IP interface 3)
RS G8124(config-ip-if)# ip address 131.15.15.1
RS G8124(config-ip-if)# ip netmask 255.255.255.0
RS G8124(config-ip-if)# vlan 3                                (Add VLAN 3)
RS G8124(config-ip-if)# enable
RS G8124(config-ip-if)# exit
RS G8124(config)# interface ip 4                                (Select IP interface 4)
RS G8124(config-ip-if)# ip address 206.30.15.1
RS G8124(config-ip-if)# ip netmask 255.255.255.0
RS G8124(config-ip-if)# vlan 4                                (Add VLAN 4)
RS G8124(config-ip-if)# enable
RS G8124(config-ip-if)# exit

```

6. Configure the default gateway to the routers' addresses.

The default gateway allows the switch to send outbound traffic to the router:

```

RS G8124(config)# ip gateway 1 address 205.21.17.1
RS G8124(config)# ip gateway 1 enable

```

7. Enable IP routing.

```

RS G8124(config)# ip routing

```

8. Verify the configuration.

```

RS G8124(config)# show vlan
RS G8124(config)# show interface information
RS G8124(config)# show interface ip

```

Examine the resulting information. If any settings are incorrect, make the appropriate changes.

ECMP Static Routes

Equal-Cost Multi-Path (ECMP) is a forwarding mechanism that routes packets along multiple paths of equal cost. ECMP provides equally-distributed link load sharing across the paths. The hashing algorithm used is based on the source IP address (SIP). ECMP routes allow the switch to choose between several next hops toward a given destination. The switch performs periodic health checks (ping) on each ECMP gateway. If a gateway fails, it is removed from the routing table, and an SNMP trap is sent.

OSPF Integration

When a dynamic route is added through Open Shortest Path First (OSPF), the switch checks the route's gateway against the ECMP static routes. If the gateway matches one of the single or ECMP static route destinations, then the OSPF route is added to the list of ECMP static routes. Traffic is load-balanced across all of the available gateways. When the OSPF dynamic route times out, it is deleted from the list of ECMP static routes.

ECMP Route Hashing

You can configure the parameters used to perform ECMP route hashing, as follows:

- `sip`: Source IP address (default)
- `dip`: Destination IP address

Note – The `sip`, `dip`, and `dipsip` options enabled under ECMP route hashing or in port trunk hashing (`portchannel hash`) apply to both ECMP and trunk features (the enabled settings are cumulative). If unexpected ECMP route hashing occurs, disable the unwanted source or destination IP address option set in trunk hashing. Likewise, if unexpected trunk hashing occurs, disable any unwanted options set in ECMP route hashing.

- `sport`: Source port
- `dport`: Destination port

Note – Source port (`sport`) and/or destination port (`dport`) options for the ECMP route hash (`ip route ecmp hash`) are supported only when Layer 4 `tcp14` and/or `udp14` options are enabled. Conversely, when `tcp14` and/or `udp14` are enabled, hashing options for `sport` and/or `dport` must also be enabled.

- `protocol`: Layer 3 protocol
- `tcp14`: Layer 4 TCP port
- `udp14`: Layer 4 UDP port

The ECMP hash setting applies to all ECMP routes.

Configuring ECMP Static Routes

To configure ECMP static routes, add the same route multiple times, each with the same destination IP address, but with a different gateway IP address. These routes become ECMP routes.

1. Add a static route (IP address, subnet mask, gateway, and interface number).

```
RS G8124(config)# ip route 10.10.1.1 255.255.255.255 100.10.1.1 1
```

2. Add another static route with the same IP address and mask, but a different gateway address.

```
RS G8124(config)# ip route 10.10.1.1 255.255.255.255 200.20.2.2 1
```

3. Select an ECMP hashing method (optional).

```
RS G8124(config)# ip route ecmphash [sip|dip|protocol|tcp14|udp14|
sport|dport]
```

You may add up to five (5) gateways for each static route.

Use the following command to check the status of ECMP static routes:

```
RS G8124(config)# show ip route static

Current ecmp static routes:
Destination      Mask                Gateway              If    GW Status
-----
10.10.1.1        255.255.255.255    100.10.1.1          1    up
                  200.20.2.2          1                    down
10.20.2.2        255.255.255.255    10.233.3.3          1    up
10.20.2.2        255.255.255.255    10.234.4.4          1    up
10.20.2.2        255.255.255.255    10.235.5.5          1    up

ECMP health-check ping interval: 1
ECMP health-check retries number: 3
ECMP Hash Mechanism: sip
```

Dynamic Host Configuration Protocol

Dynamic Host Configuration Protocol (DHCP) is a transport protocol that provides a framework for automatically assigning IP addresses and configuration information to other IP hosts or clients in a large TCP/IP network. Without DHCP, the IP address must be entered manually for each network device. DHCP allows a network administrator to distribute IP addresses from a central point and automatically send a new IP address when a device is connected to a different place in the network.

The switch accepts gateway configuration parameters if they have not been configured manually. The switch ignores DHCP gateway parameters if the gateway is configured.

DHCP is an extension of another network IP management protocol, Bootstrap Protocol (BOOTP), with an additional capability of being able to allocate reusable network addresses and configuration parameters for client operation.

Built on the client/server model, DHCP allows hosts or clients on an IP network to obtain their configurations from a DHCP server, thereby reducing network administration. The most significant configuration the client receives from the server is its required IP address; (other optional parameters include the “generic” file name to be booted, the address of the default gateway, and so forth).

To enable DHCP on a switch management interface, use the following command:

```
RS G8124(config)# system dhcp mgta
```

To configure DHCP operation on data interfaces, use the following command:

```
RS G8124(config)# system bootp
```

DHCP Relay Agent

DHCP is described in RFC 2131, and the DHCP relay agent supported on the G8124 is described in RFC 1542. DHCP uses UDP as its transport protocol. The client sends messages to the server on port 67 and the server sends messages to the client on port 68.

DHCP defines the methods through which clients can be assigned an IP address for a finite lease period and allowing reassignment of the IP address to another client later. Additionally, DHCP provides the mechanism for a client to gather other IP configuration parameters it needs to operate in the TCP/IP network.

In the DHCP environment, the G8124 acts as a relay agent. The DHCP relay feature enables the switch to forward a client request for an IP address to two BOOTP servers with IP addresses that have been configured on the switch.

When a switch receives a UDP broadcast on port 67 from a DHCP client requesting an IP address, the switch acts as a proxy for the client, replacing the client source IP (SIP) and destination IP (DIP) addresses. The request is then forwarded as a UDP Unicast MAC layer message to two BOOTP servers whose IP addresses are configured on the switch. The servers respond as a UDP Unicast message back to the switch, with the default gateway and IP address for the client. The destination IP address in the server response represents the interface address on the switch that received the client request. This interface address tells the switch on which VLAN to send the server response to the client.

To enable the G8124 to be the BOOTP forwarder, you need to configure the DHCP/BOOTP server IP addresses on the switch. Generally, you should configure the switch IP interface on the client side to match the client's subnet, and configure VLANs to separate client and server subnets. The DHCP server knows from which IP subnet the newly allocated IP address should come.

In G8124 implementation, there is no need for primary or secondary servers. The client request is forwarded to the BOOTP servers configured on the switch. The use of two servers provide failover redundancy. However, no health checking is supported.

Use the following commands to configure the switch as a DHCP relay agent:

```
RS G8124(config)# ip bootp-relay server 1 <IP address>
RS G8124(config)# ip bootp-relay server 2 <IP address>
RS G8124(config)# ip bootp-relay enable
RS G8124(config)# show ip bootp-relay
```

Additionally, DHCP Relay functionality can be assigned on a per interface basis. Use the following commands to enable the Relay functionality:

```
RS G8124(config)# interface ip <Interface number>
RS G8124(config-ip-if)# relay
```

CHAPTER 16

Internet Protocol Version 6

Internet Protocol version 6 (IPv6) is a network layer protocol intended to expand the network address space. IPv6 is a robust and expandable protocol that meets the need for increased physical address space. The switch supports the following RFCs for IPv6-related features:

- RFC 1981
- RFC 2460
- RFC 2461
- RFC 2462
- RFC 2474
- RFC 2526
- RFC 2711
- RFC 3289
- RFC 3411, 3412, 3413, 3414
- RFC 3484
- RFC 3879
- RFC 4007
- RFC 4213
- RFC 4291
- RFC 4293, 4293
- RFC 4443
- RFC 4861
- RFC 4862
- RFC 5095

This chapter describes the basic configuration of IPv6 addresses and how to manage the switch via IPv6 host management.

IPv6 Limitations

The following IPv6 features are not supported in this release.

- Dynamic Host Control Protocol for IPv6 (DHCPv6)
- Border Gateway Protocol for IPv6 (BGP)
- Routing Information Protocol for IPv6 (RIPng)
- Multicast Listener Discovery (MLD)

Most other BLADEOS 6.5 features permit IP addresses to be configured using either IPv4 or IPv6 address formats. However, the following switch features support IPv4 only:

- SNMP trap host destination IP address
- Bootstrap Protocol (BOOTP) and DHCP
- RADIUS, TACACS+ and LDAP
- QoS metering and re-marking ACLs for out-profile traffic
- Stacking
- VMware Virtual Center (vCenter) for VMready
- Routing Information Protocol (RIP)
- Internet Group Management Protocol (IGMP)
- Border Gateway Protocol (BGP)
- Protocol Independent Multicast (PIM)
- Virtual Router Redundancy Protocol (VRRP)
- sFLOW

IPv6 Address Format

The IPv6 address is 128 bits (16 bytes) long and is represented as a sequence of eight 16-bit hex values, separated by colons.

Each IPv6 address has two parts:

- Subnet prefix representing the network to which the interface is connected
- Local identifier, either derived from the MAC address or user-configured

The preferred hexadecimal format is as follows:

```
xxxx : xxxx : xxxx : xxxx : xxxx : xxxx : xxxx : xxxx
```

Example IPv6 address:

```
FEDC : BA98 : 7654 : BA98 : FEDC : 1234 : ABCD : 5412
```

Some addresses can contain long sequences of zeros. A single contiguous sequence of zeros can be compressed to :: (two colons). For example, consider the following IPv6 address:

```
FE80 : 0 : 0 : 0 : 2AA : FF : FA : 4CA2
```

The address can be compressed as follows:

```
FE80 :: 2AA : FF : FA : 4CA2
```

Unlike IPv4, a subnet mask is not used for IPv6 addresses. IPv6 uses the subnet prefix as the network identifier. The prefix is the part of the address that indicates the bits that have fixed values or are the bits of the subnet prefix. An IPv6 prefix is written in address/prefix-length notation. For example, in the following address, 64 is the network prefix:

```
21DA : D300 : 0000 : 2F3C :: /64
```

IPv6 addresses can be either user-configured or automatically configured. Automatically configured addresses always have a 64-bit subnet prefix and a 64-bit interface identifier. In most implementations, the interface identifier is derived from the switch's MAC address, using a method called EUI-64.

Most BLADEOS 6.5 features permit IP addresses to be configured using either IPv4 or IPv6 address formats. Throughout this manual, *IP address* is used in places where either an IPv4 or IPv6 address is allowed. In places where only one type of address is allowed, the type (*IPv4* or *IPv6*) is specified.

IPv6 Address Types

IPv6 supports three types of addresses: unicast (one-to-one), multicast (one-to-many), and anycast (one-to-nearest). Multicast addresses replace the use of broadcast addresses.

Unicast Address

Unicast is a communication between a single host and a single receiver. Packets sent to a unicast address are delivered to the interface identified by that address. IPv6 defines the following types of unicast address:

- **Global Unicast address:** An address that can be reached and identified globally. Global Unicast addresses use the high-order bit range up to FF00, therefore all non-multicast and non-link-local addresses are considered to be global unicast. A manually configured IPv6 address must be fully specified. Autoconfigured IPv6 addresses are comprised of a prefix combined with the 64-bit EUI. RFC 4291 defines the IPv6 addressing architecture.

The interface ID must be unique within the same subnet.

- **Link-local unicast address:** An address used to communicate with a neighbor on the same link. Link-local addresses use the format FE80::EUI

Link-local addresses are designed to be used for addressing on a single link for purposes such as automatic address configuration, neighbor discovery, or when no routers are present.

Routers must not forward any packets with link-local source or destination addresses to other links.

Multicast

Multicast is communication between a single host and multiple receivers. Packets are sent to all interfaces identified by that address. An interface may belong to any number of multicast groups.

A multicast address (FF00 - FFFF) is an identifier for a group interface. The multicast address most often encountered is a solicited-node multicast address using prefix FF02::1:FF00:0000/104 with the low-order 24 bits of the unicast or anycast address.

The following well-known multicast addresses are pre-defined. The group IDs defined in this section are defined for explicit scope values, as follows:

FF00:::0 through FF0F:::0

Anycast

Packets sent to an anycast address or list of addresses are delivered to the nearest interface identified by that address. Anycast is a communication between a single sender and a list of addresses.

Anycast addresses are allocated from the unicast address space, using any of the defined unicast address formats. Thus, anycast addresses are syntactically indistinguishable from unicast addresses. When a unicast address is assigned to more than one interface, thus turning it into an anycast address, the nodes to which the address is assigned must be explicitly configured to know that it is an anycast address.

IPv6 Address Autoconfiguration

IPv6 supports the following types of address autoconfiguration:

- **Stateful address configuration**

Address configuration is based on the use of a stateful address configuration protocol, such as DHCPv6, to obtain addresses and other configuration options.

- **Stateless address configuration**

Address configuration is based on the receipt of Router Advertisement messages that contain one or more Prefix Information options.

BLADEOS 6.5 supports stateless address configuration.

Stateless address configuration allows hosts on a link to configure themselves with link-local addresses and with addresses derived from prefixes advertised by local routers. Even if no router is present, hosts on the same link can configure themselves with link-local addresses and communicate without manual configuration.

IPv6 Interfaces

Each IPv6 interface supports multiple IPv6 addresses. You can manually configure up to two IPv6 addresses for each interface, or you can allow the switch to use stateless autoconfiguration.

You can manually configure two IPv6 addresses for each interface, as follows:

- Initial IPv6 address is a global unicast or anycast address.

```
RS G8124(config)# interface ip <interface number>
RS G8124(config-ip-if)# ipv6 address <IPv6 address>
```

Note that you cannot configure both addresses as anycast. If you configure an anycast address on the interface you must also configure a global unicast address on that interface.

- Second IPv6 address can be a unicast or anycast address.

```
RS G8124(config-ip-if)# ipv6 secaddr6 <IPv6 address>
RS G8124(config-ip-if)# exit
```

You cannot configure an IPv4 address on an IPv6 management interface. Each interface can be configured with only one address type: either IPv4 or IPv6, but not both. When changing between IPv4 and IPv6 address formats, the prior address settings for the interface are discarded.

Each IPv6 interface can belong to only one VLAN. Each VLAN can support only one IPv6 interface. Each VLAN can support multiple IPv4 interfaces.

Use the following commands to configure the IPv6 gateway:

```
RS G8124(config)# ip gateway6 1 address <IPv6 address>
RS G8124(config)# ip gateway6 1 enable
```

IPv6 gateway 1 is reserved for IPv6 data interfaces. IPv6 gateway 4 is the default IPv6 management gateway.

Neighbor Discovery

Neighbor Discovery Overview

The switch uses Neighbor Discovery protocol (ND) to gather information about other router and host nodes, including the IPv6 addresses. Host nodes use ND to configure their interfaces and perform health detection. ND allows each node to determine the link-layer addresses of neighboring nodes, and to keep track of each neighbor's information. A neighboring node is a host or a router that is linked directly to the switch. The switch supports Neighbor Discovery as described in RFC 4861.

Neighbor Discover messages allow network nodes to exchange information, as follows:

- *Neighbor Solicitations* allow a node to discover information about other nodes.
- *Neighbor Advertisements* are sent in response to Neighbor Solicitations. The Neighbor Advertisement contains information required by nodes to determine the link-layer address of the sender, and the sender's role on the network.
- IPv6 hosts use *Router Solicitations* to discover IPv6 routers. When a router receives a Router Solicitation, it responds immediately to the host.
- Routers uses *Router Advertisements* to announce its presence on the network, and to provide its address prefix to neighbor devices. IPv6 hosts listen for Router Advertisements, and uses the information to build a list of default routers. Each host uses this information to perform autoconfiguration of IPv6 addresses.
- *Redirect messages* are sent by IPv6 routers to inform hosts of a better first-hop address for a specific destination. Redirect messages are only sent by routers for unicast traffic, are only unicast to originating hosts, and are only processed by hosts.

ND configuration for general advertisements, flags, and interval settings, as well as for defining prefix profiles for router advertisements, is performed on a per-interface basis using the following command path:

```
RS G8124(config)# interface ip <interface number>
RS G8124(config-ip-if)# [no] ipv6 nd ?
RS G8124(config-ip-if)# exit
```

To add or remove entries in the static neighbor cache, use the following command path:

```
RS G8124(config)# [no] ip neighbors ?
```

To manage IPv6 prefix policies, use the following command path:

```
RS G8124(config)# [no] ip prefix-policy ?
```

Host vs. Router

Each IPv6 interface can be configured as a router node or a host node, as follows:

- A router node's IP address is configured manually. Router nodes can send Router Advertisements.
- A host node's IP address is autoconfigured. Host nodes listen for Router Advertisements that convey information about devices on the network.

Note – When IP forwarding is turned on, all IPv6 interfaces configured on the switch can forward packets.

You can configure each IPv6 interface as either a host node or a router node. You can manually assign an IPv6 address to an interface in host mode, or the interface can be assigned an IPv6 address by an upstream router, using information from router advertisements to perform stateless auto-configuration.

To set an interface to host mode, use the following command:

```
RS G8124(config)# interface ip <interface number>  
RS G8124(config-ip-if)# ip6host  
RS G8124(config-ip-if)# exit
```

The G8124 supports up to 1156 IPv6 routes.

Supported Applications

The following applications have been enhanced to provide IPv6 support.

■ Ping

The **ping** command supports IPv6 addresses. Use the following format to ping an IPv6 address:

```
ping <host name> | <IPv6 address> [-n <tries (0-4294967295)>]
[-w <msec delay (0-4294967295)>] [-l <length (0/32-65500/2080)>]
[-s <IP source>] [-v <TOS (0-255)>] [-f] [-t]
```

To ping a link-local address (begins with FE80), provide an interface index, as follows:

```
ping <IPv6 address>%<Interface index> [-n <tries (0-4294967295)>]
[-w <msec delay (0-4294967295)>] [-l <length (0/32-65500/2080)>]
[-s <IP source>] [-v <TOS (0-255)>] [-f] [-t]
```

■ Traceroute

The **traceroute** command supports IPv6 addresses (but not link-local addresses).

Use the following format to perform a traceroute to an IPv6 address:

```
traceroute <host name>| <IPv6 address> [<max-hops (1-32)>]
[<msec delay (1-4294967295)>]]
```

■ Telnet server

The **telnet** command supports IPv6 addresses. Use the following format to Telnet into an IPv6 interface on the switch:

```
telnet <host name>| <IPv6 address> [<port>]
```

■ Telnet client

The **telnet** command supports IPv6 addresses, (but not link-local addresses). Use the following format to Telnet to an IPv6 address:

```
telnet <host name>| <IPv6 address> [<port>]
```

■ HTTP/HTTPS

The HTTP/HTTPS servers support both IPv4 and IPv6 connections.

- **SSH**

Secure Shell (SSH) connections over IPv6 are supported. The following syntax is required from the client:

```
ssh -u <IPv6 address>
```

Example:

```
ssh -u 2001:2:3:4:0:0:0:142
```

- **TFTP**

The TFTP commands support both IPv4 and IPv6 addresses. Link-local addresses are not supported.

- **FTP**

The FTP commands support both IPv4 and IPv6 addresses. Link-local addresses are not supported.

- **DNS client**

DNS commands support both IPv4 and IPv6 addresses. Link-local addresses are not supported. Use the following command to specify the type of DNS query to be sent first:

```
RS G8124(config)# ip dns ipv6 request-version {ipv4|ipv6}
```

If you set the request version to `ipv4`, the DNS application sends an `A` query first, to resolve the hostname with an IPv4 address. If no `A` record is found for that hostname (no IPv4 address for that hostname) an `AAAA` query is sent to resolve the hostname with a IPv6 address.

If you set the request version to `ipv6`, the DNS application sends an `AAAA` query first, to resolve the hostname with an IPv6 address. If no `AAAA` record is found for that hostname (no IPv6 address for that hostname) an `A` query is sent to resolve the hostname with an IPv4 address.

Configuration Guidelines

When you configure an interface for IPv6, consider the following guidelines:

- IPv6 only supports static routes.
- Support for subnet router anycast addresses is not available.
- A single interface can accept either IPv4 or IPv6 addresses, but not both IPv4 and IPv6 addresses.
- A single interface can accept multiple IPv6 addresses.
- A single interface can accept only one IPv4 address.
- If you change the IPv6 address of a configured interface to an IPv4 address, all IPv6 settings are deleted.
- A single VLAN can support only one IPv6 interface.
- Health checks are not supported for IPv6 gateways.
- IPv6 interfaces support Path MTU Discovery. The CPU's MTU is fixed at 1500 bytes.
- Support for jumbo frames (1,500 to 9,216 byte MTUs) is limited. Any jumbo frames intended for the CPU must be fragmented by the remote node. The switch can re-assemble fragmented packets up to 9k. It can also fragment and transmit jumbo packets received from higher layers.

IPv6 Configuration Examples

This section provides steps to configure IPv6 on the switch.

IPv6 Example 1

The following example uses IPv6 host mode to autoconfigure an IPv6 address for the interface. By default, the interface is assigned to VLAN 1.

1. Enable IPv6 host mode on an interface.

```
RS G8124(config)# interface ip 2
RS G8124(config-ip-if)# ip6host
RS G8124(config-ip-if)# enable
RS G8124(config-ip-if)# exit
```

2. Configure the IPv6 default gateway.

```
RS G8124(config)# ip gateway6 1 address
2001:BA98:7654:BA98:FEDC:1234:ABCD:5412
RS G8124(config)# ip gateway6 1 enable
```

3. Verify the interface address.

```
RS G8124(config)# show interface ip 2
```

IPv6 Example 2

Use the following example to manually configure IPv6 on an interface.

1. Assign an IPv6 address and prefix length to the interface.

```
RS G8124(config)# interface ip 3
RS G8124(config-ip-if)# ipv6 address
2001:BA98:7654:BA98:FEDC:1234:ABCD:5214
RS G8124(config-ip-if)# ipv6 prefixlen 64
RS G8124(config-ip-if)# ipv6 seccaddr6 2003::1 32
RS G8124(config-ip-if)# vlan 2
RS G8124(config-ip-if)# enable
RS G8124(config-ip-if)# exit
```

The secondary IPv6 address is compressed, and the prefix length is 32.

2. Configure the IPv6 default gateway.

```
RS G8124(config)# ip gateway6 1 address  
                  2001:BA98:7654:BA98:FEDC:1234:ABCD:5412  
RS G8124(config)# ip gateway6 1 enable
```

3. Configure Neighbor Discovery advertisements for the interface (optional)

```
RS G8124(config)# interface ip 3  
RS G8124(config-ip-if)# no ipv6 nd suppress-ra
```

4. Verify the configuration.

```
RS G8124(config-ip-if)# show layer3
```


CHAPTER 17

Routing Information Protocol

In a routed environment, routers communicate with one another to keep track of available routes. Routers can learn about available routes dynamically using the Routing Information Protocol (RIP). BLADEOS software supports RIP version 1 (RIPv1) and RIP version 2 (RIPv2) for exchanging TCP/IPv4 route information with other routers.

Note – BLADEOS 6.5 does not support IPv6 for RIP.

Distance Vector Protocol

RIP is known as a distance vector protocol. The vector is the network number and next hop, and the distance is the metric associated with the network number. RIP identifies network reachability based on metric, and metric is defined as hop count. One hop is considered to be the distance from one switch to the next, which typically is 1.

When a switch receives a routing update that contains a new or changed destination network entry, the switch adds 1 to the metric value indicated in the update and enters the network in the routing table. The IPv4 address of the sender is used as the next hop.

Stability

RIP includes a number of other stability features that are common to many routing protocols. For example, RIP implements the split horizon and hold-down mechanisms to prevent incorrect routing information from being propagated.

RIP prevents routing loops from continuing indefinitely by implementing a limit on the number of hops allowed in a path from the source to a destination. The maximum number of hops in a path is 15. The network destination network is considered unreachable if increasing the metric value by 1 causes the metric to be 16 (that is infinity). This limits the maximum diameter of a RIP network to less than 16 hops.

RIP is often used in stub networks and in small autonomous systems that do not have many redundant paths.

Routing Updates

RIP sends routing-update messages at regular intervals and when the network topology changes. Each router “advertises” routing information by sending a routing information update every 30 seconds. If a router doesn’t receive an update from another router for 180 seconds, those routes provided by that router are declared invalid. The routes are removed from the routing table, but they remain in the RIP routes table. After another 120 seconds without receiving an update for those routes, the routes are removed from respective regular updates.

When a router receives a routing update that includes changes to an entry, it updates its routing table to reflect the new route. The metric value for the path is increased by 1, and the sender is indicated as the next hop. RIP routers maintain only the best route (the route with the lowest metric value) to a destination.

For more information, see the Configuration section, Routing Information Protocol Configuration in the *BLADEOS Command Reference*.

RIPv1

RIP version 1 use broadcast User Datagram Protocol (UDP) data packets for the regular routing updates. The main disadvantage is that the routing updates do not carry subnet mask information. Hence, the router cannot determine whether the route is a subnet route or a host route. It is of limited usage after the introduction of RIPv2. For more information about RIPv1 and RIPv2, refer to RFC 1058 and RFC 2453.

RIPv2

RIPv2 is the most popular and preferred configuration for most networks. RIPv2 expands the amount of useful information carried in RIP messages and provides a measure of security. For a detailed explanation of RIPv2, refer to RFC 1723 and RFC 2453.

RIPv2 improves efficiency by using multicast UDP (address 224.0.0.9) data packets for regular routing updates. Subnet mask information is provided in the routing updates. A security option is added for authenticating routing updates, by using a shared password. BLADEOS supports using clear password for RIPv2.

RIPv2 in RIPv1 Compatibility Mode

BLADEOS allows you to configure RIPv2 in RIPv1 compatibility mode, for using both RIPv2 and RIPv1 routers within a network. In this mode, the regular routing updates use broadcast UDP data packet to allow RIPv1 routers to receive those packets. With RIPv1 routers as recipients, the routing updates have to carry natural or host mask. Hence, it is not a recommended configuration for most network topologies.

Note – When using both RIPv1 and RIPv2 within a network, use a single subnet mask throughout the network.

RIP Features

BLADEOS provides the following features to support RIPv1 and RIPv2:

Poison

Simple split horizon in RIP scheme omits routes learned from one neighbor in updates sent to that neighbor. That is the most common configuration used in RIP, that is setting this Poison to DISABLE. Split horizon with poisoned reverse includes such routes in updates, but sets their metrics to 16. The disadvantage of using this feature is the increase of size in the routing updates.

Triggered Updates

Triggered updates are an attempt to speed up convergence. When Triggered Updates is enabled, whenever a router changes the metric for a route, it sends update messages almost immediately, without waiting for the regular update interval. It is recommended to enable Triggered Updates.

Multicast

RIPv2 messages use IPv4 multicast address (224.0.0.9) for periodic broadcasts. Multicast RIPv2 announcements are not processed by RIPv1 routers. IGMP is not needed since these are inter-router messages which are not forwarded.

To configure RIPv2 in RIPv1 compatibility mode, set multicast to `disable`, and set version to `both`.

Default

The RIP router can listen and supply a default route, usually represented as IPv4 0.0.0.0 in the routing table. When a router does not have an explicit route to a destination network in its routing table, it uses the default route to forward those packets.

Metric

The metric field contains a configurable value between 1 and 15 (inclusive) which specifies the current metric for the interface. The metric value typically indicates the total number of hops to the destination. The metric value of 16 represents an unreachable destination.

Authentication

RIPv2 authentication uses plaintext password for authentication. If configured using Authentication password, then it is necessary to enter an authentication key value.

The following method is used to authenticate a RIP message:

- If the router is not configured to authenticate RIPv2 messages, then RIPv1 and unauthenticated RIPv2 messages are accepted; authenticated RIPv2 messages are discarded.
- If the router is configured to authenticate RIPv2 messages, then RIPv1 messages and RIPv2 messages which pass authentication testing are accepted; unauthenticated and failed authentication RIPv2 messages are discarded.

For maximum security, RIPv1 messages are ignored when authentication is enabled; otherwise, the routing information from authenticated messages is propagated by RIPv1 routers in an unauthenticated manner.

RIP Configuration Example

Note – An interface RIP disabled uses all the default values of the RIP, no matter how the RIP parameters are configured for that interface. RIP sends out RIP regular updates to include an UP interface, but not a DOWN interface.

1. Add VLANs for routing interfaces.

```
>> # vlan 2
>> (config-vlan)# enable
>> (config-vlan)# member 2
Port 2 is an UNTAGGED port and its current PVID is 1.
Confirm changing PVID from 1 to 2 [y/n]: y
>> (config-vlan)# exit
>> # vlan 3
>> (config-vlan)# enable
>> (config-vlan)# member 3
Port 3 is an UNTAGGED port and its current PVID is 1.
Confirm changing PVID from 1 to 3 [y/n]: y
>> (config-vlan)# exit
```

2. Add IP interfaces with IPv4 addresses to VLANs.

```
>> # interface ip 2
>> (config-ip-if)# enable
>> (config-ip-if)# address 102.1.1.1
>> (config-ip-if)# vlan 2
>> (config-ip-if)# exit
>> # interface ip 3
>> (config-ip-if)# enable
>> (config-ip-if)# address 103.1.1.1
>> (config-ip-if)# vlan 3
```

3. Turn on RIP globally and enable RIP for each interface.

```
>> # router rip
>> (config-router-rip)# enable
>> (config-router-rip)# exit
>> # interface ip 2
>> (config-ip-if)# ip rip enable
>> (config-ip-if)# exit
>> # interface ip 3
>> (config-ip-if)# ip rip enable
>> (config-ip-if)# exit
```

Use the following command to check the current valid routes in the routing table of the switch:

```
>> # show ip route
```

For those RIP routes learned within the garbage collection period, that are routes phasing out of the routing table with metric 16, use the following command:

```
>> # show ip rip
```

Locally configured static routes do not appear in the RIP Routes table.

CHAPTER 18

Internet Group Management Protocol

Internet Group Management Protocol (IGMP) is used by IPv4 Multicast routers to learn about the existence of host group members on their directly attached subnet (see RFC 2236). The IPv4 Multicast routers get this information by broadcasting IGMP Membership Queries and listening for IPv4 hosts reporting their host group memberships. This process is used to set up a client/server relationship between an IPv4 Multicast source that provides the data streams and the clients that want to receive the data.

The G8124 can perform IGMP Snooping, and connect to static multicast routers (Mrouters). The G8124 can act as a Querier, and participate in the IGMP Querier election process.

Note – BLADEOS 6.5 does not support IPv6 for IGMP.

The following topics are discussed in this chapter:

- [“IGMP Snooping” on page 250](#)
- [“IGMP Querier” on page 255](#)
- [“IGMP Filtering” on page 256](#)

IGMP Snooping

IGMP Snooping allows the switch to forward multicast traffic only to those ports that request it. IGMP Snooping prevents multicast traffic from being flooded to all ports. The switch learns which server hosts are interested in receiving multicast traffic, and forwards it only to ports connected to those servers.

IGMP Snooping conserves bandwidth. With IGMP Snooping, the switch learns which ports are interested in receiving multicast data, and forwards multicast data only to those ports. In this way, other ports are not burdened with unwanted multicast traffic.

The switch can sense IGMP Membership Reports from attached clients and act as a proxy to set up a dedicated path between the requesting host and a local IPv4 Multicast router. After the pathway is established, the switch blocks the IPv4 Multicast stream from flowing through any port that does not connect to a host member, thus conserving bandwidth.

The client-server path is set up as follows:

- An IPv4 Multicast Router (Mrouter) sends *Membership Queries* to the switch, which forwards them to all ports in a given VLAN.
- Hosts that want to receive the multicast data stream send *Membership Reports* to the switch, which sends a proxy Membership Report to the Mrouter.
- The switch sets up a path between the Mrouter and the host, and blocks all other ports from receiving the multicast.
- Periodically, the Mrouter sends Membership Queries to ensure that the host wants to continue receiving the multicast. If a host fails to respond with a Membership Report, the Mrouter stops sending the multicast to that path.
- The host can send a *Leave Report* to the switch, which sends a proxy Leave Report to the Mrouter. The multicast path is terminated immediately.

The G8124 supports the following:

- IGMP version 1, 2, and 3
- 128 Mrouters

Note – Unknown multicast traffic is sent to all ports if the flood option is enabled and no Membership Report was learned for that specific IGMP group. To enable or disable IGMP flood, use the following command:

```
RS G8124(config)# [no] ip igmp snoop flood
```

IGMP Groups

The G8124 supports a maximum of 1000 IGMP entries, on a maximum of 1024 VLANs.

One IGMP entry is allocated for each unique join request, based on the VLAN and IGMP group address. If multiple ports join the same IGMP group using the same VLAN, only a single IGMP entry is used.

FastLeave

In normal IGMP operation, when the switch receives an IGMPv2 leave message, it sends a Group-Specific Query to determine if any other devices in the same group (and on the same port) are still interested in the specified multicast group traffic. The switch removes the affiliated port from that particular group, if the following conditions apply:

- If the switch does not receive an IGMP Membership Report within the query-response-interval.
- If no multicast routers have been learned on that port.

With FastLeave enabled on the VLAN, a port can be removed immediately from the port list of the group entry when the IGMP Leave message is received, unless a multicast router was learned on the port.

Enable FastLeave only on VLANs that have only one host connected to each physical port. To enable FastLeave, use the following command:

```
RS G8124(config)# ip igmp snoop vlan <VLAN number> fast-leave
```

IGMPv3 Snooping

IGMPv3 includes new membership report messages to extend IGMP functionality. The switch provides snooping capability for all types of IGMP version 3 (IGMPv3) Membership Reports.

IGMPv3 supports Source-Specific Multicast (SSM). SSM identifies session traffic by both source and group addresses.

The IGMPv3 implementation keeps records on the multicast hosts present in the network. If a host is already registered, when it receives a new IS_INC/TO_INC/IS_EXC/TO_EXC report from same host, the switch makes the correct transition to new (port-host-group) registration based on the IGMPv3 RFC. The registrations of other hosts for the same group on the same port are not changed.

The switch supports the following IGMPv3 filter modes:

- **INCLUDE** mode: The host requests membership to a multicast group and provides a list of IPv4 addresses from which it wants to receive traffic.
- **EXCLUDE** mode: The host requests membership to a multicast group and provides a list of IPv4 addresses from which it *does not* want to receive traffic. This indicates that the host wants to receive traffic only from sources that are not part of the Exclude list. To disable snooping on EXCLUDE mode reports, use the following command:

```
RS G8124(config)# no ip igmp snoop igmpv3 exclude
```

By default, the switch snoops the first eight sources listed in the IGMPv3 Group Record. Use the following command to change the number of snooping sources:

```
RS G8124(config)# ip igmp snoop igmpv3 sources <1-64>
```

IGMPv3 Snooping is compatible with IGMPv1 and IGMPv2 Snooping. You can disable snooping on version 1 and version 2 reports, using the following command:

```
RS G8124(config)# no ip igmp snoop igmpv3 v1v2
```

IGMP Snooping Configuration Example

This section provides steps to configure IGMP Snooping on the switch.

1. Configure port and VLAN membership on the switch.
2. Add VLANs to IGMP Snooping.

```
RS G8124(config)# ip igmp snoop vlan 1
```

3. Enable IGMPv3 Snooping (optional).

```
RS G8124(config)# ip igmp snoop igmpv3 enable
```

4. Enable the IGMP feature.

```
RS G8124(config)# ip igmp enable
```

5. View dynamic IGMP information.

```
RS G8124# show ip igmp groups
```

Note: Local groups (224.0.0.x) are not snooped/relayed and will not appear.

Source	Group	VLAN	Port	Version	Mode	Expires	Fwd
10.1.1.1	232.1.1.1	2	4	V3	INC	4:16	Yes
10.1.1.5	232.1.1.1	2	4	V3	INC	4:16	Yes
*	232.1.1.1	2	4	V3	INC	-	No
10.10.10.43	235.0.0.1	9	1	V3	INC	2:26	Yes
*	236.0.0.1	9	1	V3	EXC	-	Yes

```
RS G8124# show ip igmp mrouter
```

SrcIP	VLAN	Port	Version	Expires	MRT	QRV	QQIC
10.1.1.1	2	21	V3	4:09	128	2	125
10.1.1.5	2	23	V2	4:09	125	-	-
10.10.10.43	9	24	V2	static	unknown	-	-

These commands display information about IGMP Groups and Mrouters learned by the switch.

Static Multicast Router

A static multicast router (Mrouter) can be configured for a particular port on a particular VLAN. A static Mrouter does not have to be learned through IGMP Snooping. Any data port can accept a static Mrouter.

When you configure a static Mrouter on a VLAN, it replaces any dynamic Mrouters learned through IGMP Snooping.

Configure a Static Multicast Router

1. For each MRouter, configure a port (1-24), VLAN (1-4094) and version (1-3).

```
RS G8124(config)# ip igmp mrouter 5 1 2
```

The IGMP version is set for each VLAN, and cannot be configured separately for each Mrouter.

2. Verify the configuration.

```
RS G8124# show ip igmp mrouter
```

IGMP Querier

IGMP Querier allows the switch to perform the multicast router (Mrouter) role and provide Mrouter discovery when the network or virtual LAN (VLAN) does not have a router.

When IGMP Querier is enabled on a VLAN, the switch acts as an IGMP querier in a Layer 2 network environment. The IGMP querier periodically broadcasts IGMP Queries and listens for hosts to respond with IGMP Reports indicating their IGMP group memberships. If multiple Mrouters exist on a given network, the Mrouters elect one as the querier, which performs all periodic membership queries. The election process can be based on IPv4 address or MAC address.

Note – When IGMP Querier is enabled on a VLAN, the switch performs the role of IGMP querier only if it meets the IGMP querier election criteria.

Follow this procedure to configure IGMP Querier.

1. Enable IGMP and configure the source IPv4 address for IGMP Querier on a VLAN.

```
RS G8124(config)# ip igmp enable
RS G8124(config)# ip igmp querier vlan 2 source-ip 10.10.10.1
```

2. Enable IGMP Querier on the VLAN.

```
RS G8124(config)# ip igmp querier vlan 2 querier
```

3. Configure the querier election type and define the address.

```
RS G8124(config)# ip igmp querier vlan 2 election-type ipv4
```

4. Verify the configuration.

```
RS G8124# show ip igmp querier vlan 2

Current IGMP snooping Querier information:
IGMP Querier information for vlan 2:
Other IGMP querier - none
Switch-querier enabled, current state: Querier
Switch-querier type: Ipv4, address 10.10.10.1,
Switch-querier general query interval: 125 secs,
Switch-querier max-response interval: 100 'tenths of secs',
Switch-querier startup interval: 31 secs, count: 2
Switch-querier robustness: 2
IGMP configured version is v3
IGMP Operating version is v3
```

IGMP Filtering

With IGMP Filtering, you can allow or deny a port to send and receive multicast traffic to certain multicast groups. Unauthorized users are restricted from streaming multicast traffic across the network.

If access to a multicast group is denied, IGMP Membership Reports from the port are dropped, and the port is not allowed to receive IPv4 multicast traffic from that group. If access to the multicast group is allowed, Membership Reports from the port are forwarded for normal processing.

To configure IGMP Filtering, you must globally enable IGMP filtering, define an IGMP filter, assign the filter to a port, and enable IGMP Filtering on the port. To define an IGMP filter, you must configure a range of IPv4 multicast groups, choose whether the filter will allow or deny multicast traffic for groups within the range, and enable the filter.

Configuring the Range

Each IGMP Filter allows you to set a start and end point that defines the range of IPv4 addresses upon which the filter takes action. Each IPv4 address in the range must be between 224.0.0.0 and 239.255.255.255.

Configuring the Action

Each IGMP filter can allow or deny IPv4 multicasts to the range of IPv4 addresses configured. If you configure the filter to deny IPv4 multicasts, then IGMP Membership Reports from multicast groups within the range are dropped. You can configure a secondary filter to allow IPv4 multicasts to a small range of addresses within a larger range that a primary filter is configured to deny. The two filters work together to allow IPv4 multicasts to a small subset of addresses within the larger range of addresses.

Note – Lower-numbered filters take precedence over higher-number filters. For example, the action defined for IGMP Filter 1 supersedes the action defined for IGMP Filter 2.

Configure IGMP Filtering

1. Enable IGMP Filtering on the switch.

```
>> # ip igmp filtering
```

2. Define an IGMP filter with IPv4 information.

```
>> # ip igmp profile 1 range 224.0.0.0 226.0.0.0  
>> # ip igmp profile 1 action deny  
>> # ip igmp profile 1 enable
```

3. Assign the IGMP filter to a port.

```
>> # interface port 3  
>> (config-if)# ip igmp profile 1  
>> (config-if)# ip igmp filtering
```


CHAPTER 19

Border Gateway Protocol

Border Gateway Protocol (BGP) is an Internet protocol that enables routers on an IPv4 network to share and advertise routing information with each other about the segments of the IPv4 address space they can access within their network and with routers on external networks. BGP allows you to decide what is the “best” route for a packet to take from your network to a destination on another network rather than simply setting a default route from your border router(s) to your upstream provider(s). BGP is defined in RFC 1771.

RackSwitch G8124s can advertise their IP interfaces and IPv4 addresses using BGP and take BGP feeds from as many as 16 BGP router peers. This allows more resilience and flexibility in balancing traffic from the Internet.

Note – BLADEOS 6.5 does not support IPv6 for BGP.

The following topics are discussed in this section:

- [“Internal Routing Versus External Routing” on page 260](#)
- [“Forming BGP Peer Routers” on page 261](#)
- [“What is a Route Map?” on page 261](#)
- [“Aggregating Routes” on page 265](#)
- [“Redistributing Routes” on page 265](#)
- [“BGP Attributes” on page 266](#)
- [“Selecting Route Paths in BGP” on page 267](#)
- [“BGP Failover Configuration” on page 268](#)
- [“Default Redistribution and Route Aggregation Example” on page 270](#)

Internal Routing Versus External Routing

To ensure effective processing of network traffic, every router on your network needs to know how to send a packet (directly or indirectly) to any other location/destination in your network. This is referred to as *internal routing* and can be done with static routes or using active, internal dynamic routing protocols, such as RIP, RIPv2, and OSPF.

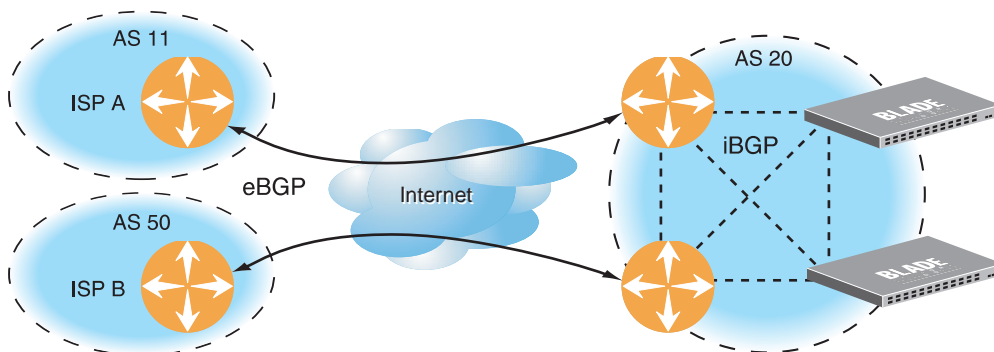
Static routes should have a higher degree of precedence than dynamic routing protocols. If the destination route is not in the route cache, then the packets are forwarded to the default gateway which may be incorrect if a dynamic routing protocol is enabled.

It is also useful to tell routers outside your network (upstream providers or *peers*) about the routes you can access in your network. External networks (those outside your own) that are under the same administrative control are referred to as *autonomous systems* (AS). Sharing of routing information between autonomous systems is known as *external routing*.

External BGP (eBGP) is used to exchange routes between different autonomous systems whereas internal BGP (iBGP) is used to exchange routes within the same autonomous system. An iBGP is a type of internal routing protocol you can use to do active routing inside your network. It also carries AS path information, which is important when you are an ISP or doing BGP transit.

The iBGP peers have to maintain reciprocal sessions to every other iBGP router in the same AS (in a full-mesh manner) in order to propagate route information throughout the AS. If the iBGP session shown between the two routers in AS 20 was not present (as indicated in [Figure 26](#)), the top router would not learn the route to AS 50, and the bottom router would not learn the route to AS 11, even though the two AS 20 routers are connected via the RackSwitch G8124.

Figure 26 iBGP and eBGP



Typically, an AS has one or more *border routers*—peer routers that exchange routes with other ASs—and an internal routing scheme that enables routers in that AS to reach every other router and destination within that AS. When you *advertise* routes to border routers on other autonomous systems, you are effectively committing to carry data to the IPv4 space represented in the route being advertised. For example, if you advertise 192.204.4.0/24, you are declaring that if another router sends you data destined for any address in 192.204.4.0/24, you know how to carry that data to its destination.

Forming BGP Peer Routers

Two BGP routers become peers or neighbors once you establish a TCP connection between them. For each new route, if a peer is interested in that route (for example, if a peer would like to receive your static routes and the new route is static), an update message is sent to that peer containing the new route. For each route removed from the route table, if the route has already been sent to a peer, an update message containing the route to withdraw is sent to that peer.

For each Internet host, you must be able to send a packet to that host, and that host has to have a path back to you. This means that whoever provides Internet connectivity to that host must have a path to you. Ultimately, this means that they must “hear a route” which covers the section of the IPv4 space you are using; otherwise, you will not have connectivity to the host in question.

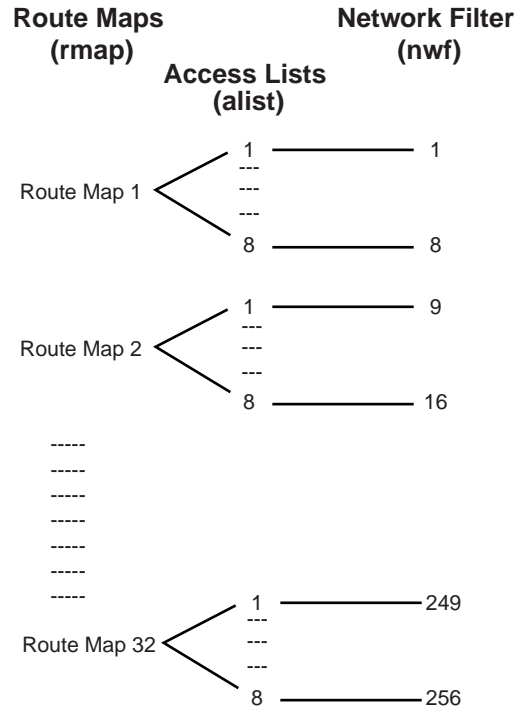
What is a Route Map?

A route map is used to control and modify routing information. Route maps define conditions for redistributing routes from one routing protocol to another or controlling routing information when injecting it in and out of BGP. Route maps are used by OSPF only for redistributing routes. For example, a route map is used to set a preference value for a specific route from a peer router and another preference value for all other routes learned via the same peer router. For example, the following command is used to enter the Route Map mode for defining a route map:

RS G8124(config)# route-map <map number>	<i>(Select a route map)</i>
RS G8124(config-route-map)# ?	<i>(List available commands)</i>

A route map allows you to match attributes, such as metric, network address, and AS number. It also allows users to overwrite the local preference metric and to append the AS number in the AS route. See “[BGP Failover Configuration](#)” on page 268.

BLADEOS allows you to configure 32 route maps. Each route map can have up to eight access lists. Each access list consists of a network filter. A network filter defines an IPv4 address and subnet mask of the network that you want to include in the filter. [Figure 27](#) illustrates the relationship between route maps, access lists and network filters.

Figure 27 Distributing Network Filters in Access Lists and Route Maps

Incoming and Outgoing Route Maps

You can have two types of route maps: incoming and outgoing. A BGP peer router can be configured to support up to eight route maps in the incoming route map list and outgoing route map list.

If a route map is not configured in the incoming route map list, the router imports all BGP updates. If a route map is configured in the incoming route map list, the router ignores all unmatched incoming updates. If you set the action to **deny**, you must add another route map to permit all unmatched updates.

Route maps in an outgoing route map list behave similar to route maps in an incoming route map list. If a route map is not configured in the outgoing route map list, all routes are advertised or permitted. If a route map in the outgoing route map list is set to **permit**, matched routes are advertised and unmatched routes are ignored.

Precedence

You can set a priority to a route map by specifying a precedence value with the following command (Route Map mode):

```
RS G8124(config)# route-map <map number>           (Select a route map)
RS G8124(config-route-map)# precedence <1-255>    (Specify a precedence)
RS G8124(config-route-map)# exit
```

The smaller the value the higher the precedence. If two route maps have the same precedence value, the smaller number has higher precedence.

Configuration Overview

To configure route maps, you need to do the following:

1. Define a network filter.

```
RS G8124(config)# ip match-address 1 <IPv4 address> <IPv4 subnet mask>
RS G8124(config)# ip match-address 1 enable
```

Enter a filter number from 1 to 256. Specify the IPv4 address and subnet mask of the network that you want to match. Enable the network filter. You can distribute up to 256 network filters among 32 route maps each containing eight access lists.

2. (Optional) Define the criteria for the access list and enable it.

Specify the access list and associate the network filter number configured in Step 1.

```
RS G8124(config)# route-map 1
RS G8124(config-route-map)# access-list 1 match-address 1
RS G8124(config-route-map)# access-list 1 metric <metric value>
RS G8124(config-route-map)# access-list 1 action deny
RS G8124(config-route-map)# access-list 1 enable
```

Steps 2 and 3 are optional, depending on the criteria that you want to match. In Step 2, the network filter number is used to match the subnets defined in the network filter. In Step 3, the autonomous system number is used to match the subnets. Or, you can use both (Step 2 and Step 3) criteria: access list (network filter) and access path (AS filter) to configure the route maps.

3. (Optional) Configure the AS filter attributes.

```
RS G8124(config-route-map)# as-path-list 1 as 1
RS G8124(config-route-map)# as-path-list 1 action deny
RS G8124(config-route-map)# as-path-list 1 enable
```

4. Set up the BGP attributes.

If you want to overwrite the attributes that the peer router is sending, then define the following BGP attributes:

- Specify the AS numbers that you want to prepend to a matched route and the local preference for the matched route.
- Specify the metric [Multi Exit Discriminator (MED)] for the matched route.

```
RS G8124(config-route-map)# as-path-preference <AS number>
RS G8124(config-route-map)# local-preference <local preference number>
RS G8124(config-route-map)# metric <metric value>
```

5. Enable the route map.

```
RS G8124(config-route-map)# enable
RS G8124(config-route-map)# exit
```

6. Turn BGP on.

```
RS G8124(config)# router bgp
RS G8124(config-router-bgp)# enable
```

7. Assign the route map to a peer router.

Select the peer router and then add the route map to the incoming route map list,

```
RS G8124(config-router-bgp)# neighbor 1 route-map in <1-32>
```

or to the outgoing route map list.

```
RS G8124(config-router-bgp)# neighbor 1 route-map out <1-32>
```

8. Exit Router BGP mode.

```
RS G8124(config-router-bgp)# exit
```


Aggregating Routes

Aggregation is the process of combining several different routes in such a way that a single route can be advertised, which minimizes the size of the routing table. You can configure aggregate routes in BGP either by redistributing an aggregate route into BGP or by creating an aggregate entry in the BGP routing table.

To define an aggregate route in the BGP routing table, use the following commands:

```
>> # router bgp
>> (config-router-bgp)# aggregate-address <1-16> <IPv4 address> <mask>
>> (config-router-bgp)# aggregate-address <1-16> enable
```

An example of creating a BGP aggregate route is shown in [“Default Redistribution and Route Aggregation Example”](#) on page 270.

Redistributing Routes

In addition to running multiple routing protocols simultaneously, BLADEOS software can redistribute information from one routing protocol to another. For example, you can instruct the switch to use BGP to re-advertise static routes. This applies to all of the IP-based routing protocols.

You can also conditionally control the redistribution of routes between routing domains by defining a method known as route maps between the two domains. For more information on route maps, see [“What is a Route Map?”](#) on page 261. Redistributing routes is another way of providing policy control over whether to export OSPF routes, fixed routes, and static routes. For an example configuration, see [“Default Redistribution and Route Aggregation Example”](#) on page 270.

Default routes can be configured using the following methods:

- Import
- Originate—The router sends a default route to peers if it does not have any default routes in its routing table.
- Redistribute—Default routes are either configured through the default gateway or learned via other protocols and redistributed to peer routers. If the default routes are from the default gateway, enable the static routes because default routes from the default gateway are static routes. Similarly, if the routes are learned from another routing protocol, make sure you enable that protocol for redistribution.
- None

BGP Attributes

The following two BGP attributes are discussed in this section: Local preference and metric (Multi-Exit Discriminator).

Local Preference Attribute

When there are multiple paths to the same destination, the local preference attribute indicates the preferred path. The path with the higher preference is preferred (the default value of the local preference attribute is 100). Unlike the weight attribute, which is only relevant to the local router, the local preference attribute is part of the routing update and is exchanged among routers in the same AS.

The local preference attribute can be set in one of two ways:

- The following commands use the BGP default local preference method, affecting the outbound direction only.

```
>> # router bgp
>> (config_router_bgp)# local-preference
>> (config_router_bgp)# exit
```

- The following commands use the route map local preference method, which affects both inbound and outbound directions.

```
>> # route-map 1
>> (config_route_map)# local-preference
>> (config_router_map)# exit
```

Metric (Multi-Exit Discriminator) Attribute

This attribute is a hint to external neighbors about the preferred path into an AS when there are multiple entry points. A lower metric value is preferred over a higher metric value. The default value of the metric attribute is 0.

Unlike local preference, the metric attribute is exchanged between ASs; however, a metric attribute that comes into an AS does not leave the AS.

When an update enters the AS with a certain metric value, that value is used for decision making within the AS. When BGP sends that update to another AS, the metric is reset to 0.

Unless otherwise specified, the router compares metric attributes for paths from external neighbors that are in the same AS.

Selecting Route Paths in BGP

BGP selects only one path as the best path. It does not rely on metric attributes to determine the best path. When the same network is learned via more than one BGP peer, BGP uses its policy for selecting the best route to that network. The BGP implementation on the G8124 uses the following criteria to select a path when the same route is received from multiple peers.

1. Local fixed and static routes are preferred over learned routes.
2. With iBGP peers, routes with higher local preference values are selected.
3. In the case of multiple routes of equal preference, the route with lower AS path weight is selected.
AS path weight = $128 \times$ AS path length (number of autonomous systems traversed).
4. In the case of equal weight and routes learned from peers that reside in the same AS, the lower metric is selected.

Note – A route with a metric is preferred over a route without a metric.

5. The lower cost to the next hop of routes is selected.
6. In the case of equal cost, the eBGP route is preferred over iBGP.
7. If all routes are from eBGP, the route with the lower router ID is selected.

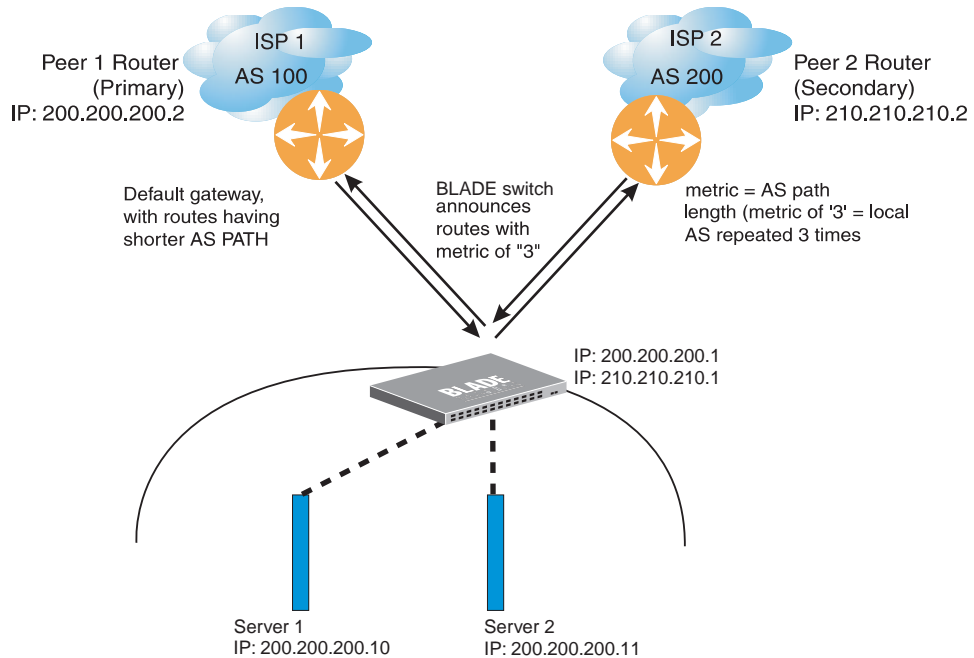
When the path is selected, BGP puts the selected path in its routing table and propagates the path to its neighbors.

BGP Failover Configuration

Use the following example to create redundant default gateways for a G8124 at a Web Host/ISP site, eliminating the possibility, should one gateway go down, that requests will be forwarded to an upstream router unknown to the switch.

As shown in [Figure 28](#), the switch is connected to ISP 1 and ISP 2. The customer negotiates with both ISPs to allow the switch to use their peer routers as default gateways. The ISP peer routers will then need to announce themselves as default gateways to the G8124.

Figure 28 BGP Failover Configuration Example



On the G8124, one peer router (the secondary one) is configured with a longer AS path than the other, so that the peer with the shorter AS path will be seen by the switch as the primary default gateway. ISP 2, the secondary peer, is configured with a metric of “3,” thereby appearing to the switch to be three router *hops* away.

1. Define the VLANs.

For simplicity, both default gateways are configured in the same VLAN in this example. The gateways could be in the same VLAN or different VLANs.

```
>> # vlan 1
>> (config-vlan)# member <port number>
```

2. Define the IP interfaces with IPv4 addresses.

The switch will need an IP interface for each default gateway to which it will be connected. Each interface must be placed in the appropriate VLAN. These interfaces will be used as the primary and secondary default gateways for the switch.

```
>> # interface ip 1
>> (config-ip-if)# ip address 200.200.200.1
>> (config-ip-if)# ip netmask 255.255.255.0
>> (config-ip-if)# enable
>> (config-ip-if)# exit
>> # interface ip 2
>> (config-ip-if)# ip address 210.210.210.1
>> (config-ip-if)# ip netmask 255.255.255.0
>> (config-ip-if)# enable
>> (config-ip-if)# exit
```

3. Enable IP forwarding.

IP forwarding is turned on by default and is used for VLAN-to-VLAN (non-BGP) routing. Make sure IP forwarding is on if the default gateways are on different subnets or if the switch is connected to different subnets and those subnets need to communicate through the switch (which they almost always do).

```
>> # ip routing
```

Note – To help eliminate the possibility for a Denial of Service (DoS) attack, the forwarding of directed broadcasts is disabled by default.

4. Configure BGP peer router 1 and 2 with IPv4 addresses.

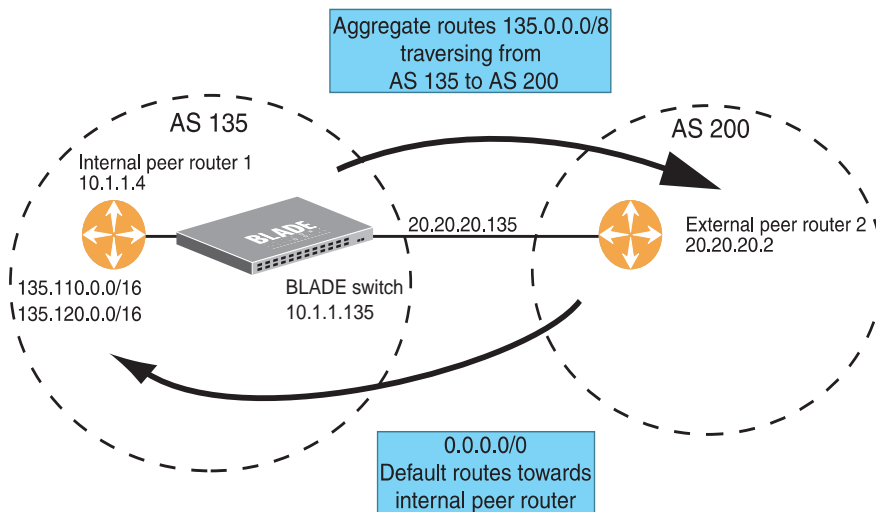
```
>> # router bgp
>> (config-router-bgp)# neighbor 1 remote-address 200.200.200.2
>> (config-router-bgp)# neighbor 1 remote-as 100
>> (config-router-bgp)# neighbor 2 remote-address 210.210.210.2
>> (config-router-bgp)# neighbor 2 remote-as 200
```

Default Redistribution and Route Aggregation Example

This example shows you how to configure the switch to redistribute information from one routing protocol to another and create an aggregate route entry in the BGP routing table to minimize the size of the routing table.

As illustrated in [Figure 29](#), you have two peer routers: an internal and an external peer router. Configure the G8124 to redistribute the default routes from AS 200 to AS 135. At the same time, configure for route aggregation to allow you to condense the number of routes traversing from AS 135 to AS 200.

Figure 29 Route Aggregation and Default Route Redistribution



1. Configure the IP interface.
2. Configure the AS number (AS 135) and router ID (10.1.1.135).

```
>> # router bgp
>> (config-router-bgp)# as 135
>> (config-router-bgp)# exit
>> # ip router-id 10.1.1.135
```

3. Configure internal peer router 1 and external peer router 2 with IPv4 addresses.

```
>> # router bgp
>> (config-router-bgp)# neighbor 1 remote-address 10.1.1.4
>> (config-router-bgp)# neighbor 1 remote-as 135
>> (config-router-bgp)# neighbor 2 remote-address 20.20.20.2
>> (config-router-bgp)# neighbor 2 remote-as 200
```

4. Configure redistribution for Peer 1.

```
>> (config-router-bgp)# neighbor 1 redistribute default-action
redistribute
>> (config-router-bgp)# neighbor 1 redistribute fixed
```

5. Configure aggregation policy control.

Configure the IPv4 routes that you want aggregated.

```
>> (config-router-bgp)# aggregate-address 1 135.0.0.0 255.0.0.0
>> (config-router-bgp)# aggregate-address 1 enable
```


CHAPTER 20

OSPF

BLADEOS supports the Open Shortest Path First (OSPF) routing protocol. The BLADEOS implementation conforms to the OSPF version 2 specifications detailed in Internet RFC 1583, and OSPF version 3 specifications in RFC 2740. The following sections discuss OSPF support for the RackSwitch G8124:

- [“OSPFv2 Overview” on page 273](#). This section provides information on OSPFv2 concepts, such as types of OSPF areas, types of routing devices, neighbors, adjacencies, link state database, authentication, and internal versus external routing.
- [“OSPFv2 Implementation in BLADEOS” on page 278](#). This section describes how OSPFv2 is implemented in BLADEOS, such as configuration parameters, electing the designated router, summarizing routes, defining route maps and so forth.
- [“OSPFv2 Configuration Examples” on page 288](#). This section provides step-by-step instructions on configuring different OSPFv2 examples:
 - Creating a simple OSPF domain
 - Creating virtual links
 - Summarizing routes
- [“OSPFv3 Implementation in BLADEOS” on page 298](#). This section describes differences and additional features found in OSPFv3.

OSPFv2 Overview

OSPF is designed for routing traffic within a single IP domain called an Autonomous System (AS). The AS can be divided into smaller logical units known as *areas*.

All routing devices maintain link information in their own Link State Database (LSDB). The LSDB for all routing devices within an area is identical but is not exchanged between different areas. Only routing updates are exchanged between areas, thereby significantly reducing the overhead for maintaining routing information on a large, dynamic network.

The following sections describe key OSPF concepts.

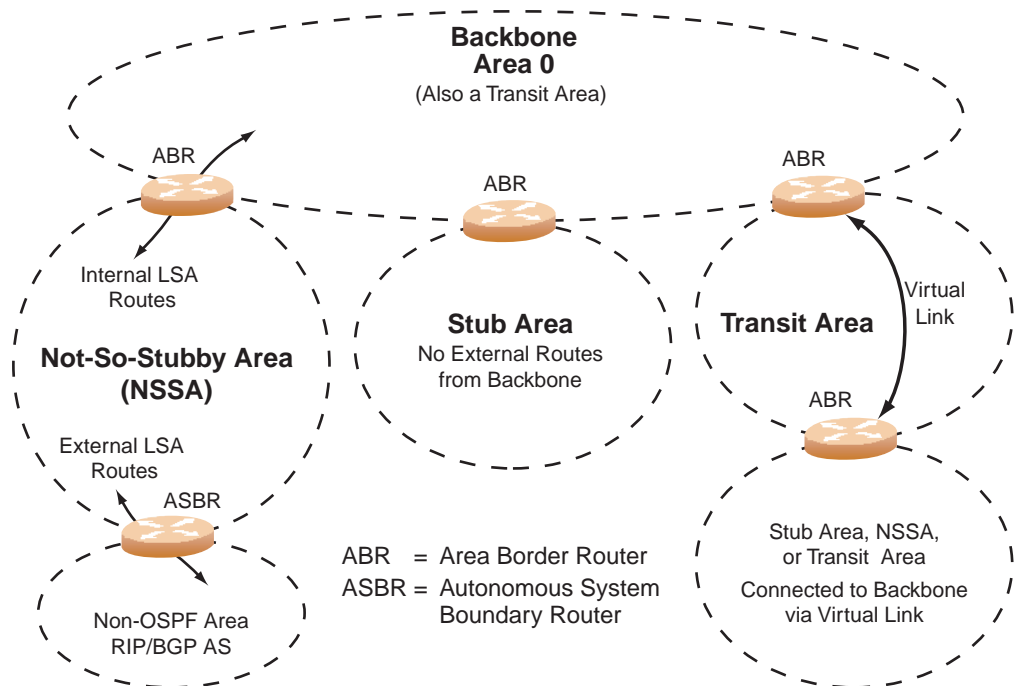
Types of OSPF Areas

An AS can be broken into logical units known as *areas*. In any AS with multiple areas, one area must be designated as area 0, known as the *backbone*. The backbone acts as the central OSPF area. All other areas in the AS must be connected to the backbone. Areas inject summary routing information into the backbone, which then distributes it to other areas as needed.

As shown in [Figure 30](#), OSPF defines the following types of areas:

- **Stub Area**—an area that is connected to only one other area. External route information is not distributed into stub areas.
- **Not-So-Stubby-Area (NSSA)**—similar to a stub area with additional capabilities. Routes originating from within the NSSA can be propagated to adjacent transit and backbone areas. External routes from outside the AS can be advertised within the NSSA but are not distributed into other areas.
- **Transit Area**—an area that allows area summary information to be exchanged between routing devices. The backbone (area 0), any area that contains a virtual link to connect two areas, and any area that is not a stub area or an NSSA are considered transit areas.

Figure 30 OSPF Area Types

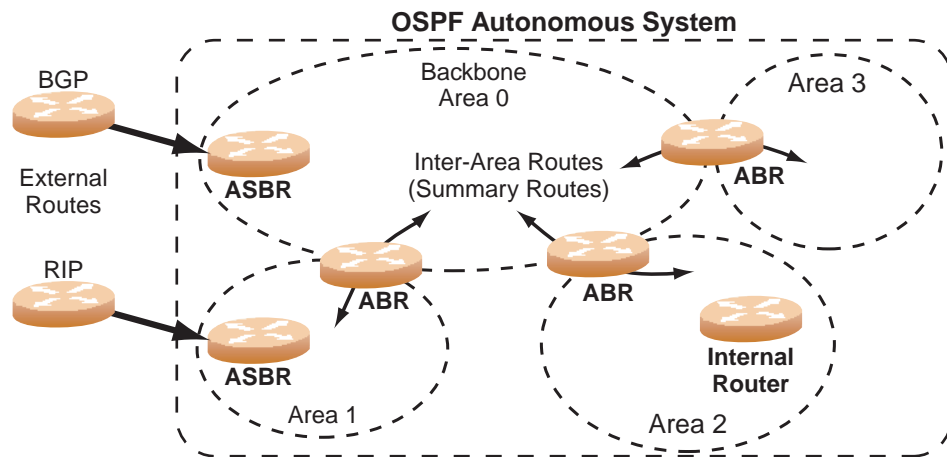


Types of OSPF Routing Devices

As shown in [Figure 31](#), OSPF uses the following types of routing devices:

- Internal Router (IR)—a router that has all of its interfaces within the same area. IRs maintain LSDBs identical to those of other routing devices within the local area.
- Area Border Router (ABR)—a router that has interfaces in multiple areas. ABRs maintain one LSDB for each connected area and disseminate routing information between areas.
- Autonomous System Boundary Router (ASBR)—a router that acts as a gateway between the OSPF domain and non-OSPF domains, such as RIP, BGP, and static routes.

Figure 31 OSPF Domain and an Autonomous System



Neighbors and Adjacencies

In areas with two or more routing devices, *neighbors* and *adjacencies* are formed.

Neighbors are routing devices that maintain information about each others' health. To establish neighbor relationships, routing devices periodically send hello packets on each of their interfaces. All routing devices that share a common network segment, appear in the same area, and have the same health parameters (hello and dead intervals) and authentication parameters respond to each other's hello packets and become neighbors. Neighbors continue to send periodic hello packets to advertise their health to neighbors. In turn, they listen to hello packets to determine the health of their neighbors and to establish contact with new neighbors.

The hello process is used for electing one of the neighbors as the area's Designated Router (DR) and one as the area's Backup Designated Router (BDR). The DR is adjacent to all other neighbors and acts as the central contact for database exchanges. Each neighbor sends its database information to the DR, which relays the information to the other neighbors.

The BDR is adjacent to all other neighbors (including the DR). Each neighbor sends its database information to the BDR just as with the DR, but the BDR merely stores this data and does not distribute it. If the DR fails, the BDR will take over the task of distributing database information to the other neighbors.

The Link-State Database

OSPF is a link-state routing protocol. A *link* represents an interface (or routable path) from the routing device. By establishing an adjacency with the DR, each routing device in an OSPF area maintains an identical Link-State Database (LSDB) describing the network topology for its area.

Each routing device transmits a Link-State Advertisement (LSA) on each of its *active* interfaces. LSAs are entered into the LSDB of each routing device. OSPF uses *flooding* to distribute LSAs between routing devices. Interfaces may also be *passive*. Passive interfaces send LSAs to active interfaces, but do not receive LSAs, hello packets, or any other OSPF protocol information from active interfaces. Passive interfaces behave as stub networks, allowing OSPF routing devices to be aware of devices that do otherwise participate in OSPF (either because they do not support it, or because the administrator chooses to restrict OSPF traffic exchange or transit).

When LSAs result in changes to the routing device's LSDB, the routing device forwards the changes to the adjacent neighbors (the DR and BDR) for distribution to the other neighbors.

OSPF routing updates occur only when changes occur, instead of periodically. For each new route, if an adjacency is interested in that route (for example, if configured to receive static routes and the new route is indeed static), an update message containing the new route is sent to the adjacency. For each route removed from the route table, if the route has already been sent to an adjacency, an update message containing the route to withdraw is sent.

The Shortest Path First Tree

The routing devices use a link-state algorithm (Dijkstra's algorithm) to calculate the shortest path to all known destinations, based on the cumulative *cost* required to reach the destination.

The cost of an individual interface in OSPF is an indication of the overhead required to send packets across it. The cost is inversely proportional to the bandwidth of the interface. A lower cost indicates a higher bandwidth.

Internal Versus External Routing

To ensure effective processing of network traffic, every routing device on your network needs to know how to send a packet (directly or indirectly) to any other location/destination in your network. This is referred to as *internal routing* and can be done with static routes or using active internal routing protocols, such as OSPF, RIP, or RIPv2.

It is also useful to tell routers outside your network (upstream providers or *peers*) about the routes you have access to in your network. Sharing of routing information between autonomous systems is known as *external routing*.

Typically, an AS will have one or more border routers (peer routers that exchange routes with other OSPF networks) as well as an internal routing system enabling every router in that AS to reach every other router and destination within that AS.

When a routing device *advertises* routes to boundary routers on other autonomous systems, it is effectively committing to carry data to the IP space represented in the route being advertised. For example, if the routing device advertises 192.204.4.0/24, it is declaring that if another router sends data destined for any address in the 192.204.4.0/24 range, it will carry that data to its destination.

OSPFv2 Implementation in BLADEOS

BLADEOS supports a single instance of OSPF and up to 4K routes on the network. The following sections describe OSPF implementation in BLADEOS:

- [“Configurable Parameters” on page 278](#)
- [“Defining Areas” on page 279](#)
- [“Interface Cost” on page 281](#)
- [“Electing the Designated Router and Backup” on page 281](#)
- [“Summarizing Routes” on page 281](#)
- [“Default Routes” on page 282](#)
- [“Virtual Links” on page 283](#)
- [“Router ID” on page 283](#)
- [“Authentication” on page 284](#)

Configurable Parameters

In BLADEOS, OSPF parameters can be configured through the Command Line Interfaces (CLI/ISCLI), Browser-Based Interface (BBI), or through SNMP. For more information, see [“Switch Administration” on page 25](#).

The ISCLI supports the following parameters: interface output cost, interface priority, dead and hello intervals, retransmission interval, and interface transmit delay.

In addition to the above parameters, you can also specify the following:

- Shortest Path First (SPF) interval—Time interval between successive calculations of the shortest path tree using the Dijkstra’s algorithm.
- Stub area metric—A stub area can be configured to send a numeric metric value such that all routes received via that stub area carry the configured metric to potentially influence routing decisions.
- Default routes—Default routes with weight metrics can be manually injected into transit areas. This helps establish a preferred route when multiple routing devices exist between two areas. It also helps route traffic to external networks.
- Passive—When enabled, the interface sends LSAs to upstream devices, but does not otherwise participate in OSPF protocol exchanges.
- Point-to-Point—For LANs that have only two OSPF routing agents (the G8124 and one other device), this option allows the switch to significantly reduce the amount of routing information it must carry and manage.

Defining Areas

If you are configuring multiple areas in your OSPF domain, one of the areas must be designated as area 0, known as the *backbone*. The backbone is the central OSPF area and is usually physically connected to all other areas. The areas inject routing information into the backbone which, in turn, disseminates the information into other areas.

Since the backbone connects the areas in your network, it must be a contiguous area. If the backbone is partitioned (possibly as a result of joining separate OSPF networks), parts of the AS will be unreachable, and you will need to configure *virtual links* to reconnect the partitioned areas (see “[Virtual Links](#)” on page 283).

Up to six OSPF areas can be connected to the G8124 with BLADEOS software. To configure an area, the OSPF number must be defined and then attached to a network interface on the switch. The full process is explained in the following sections.

An OSPF area is defined by assigning *two* pieces of information: an *area index* and an *area ID*. The commands to define and enable an OSPF area are as follows:

```
RS G8124(config)# router ospf
RS G8124(config-router-ospf)# area <area index> area-id <n.n.n.n>
RS G8124(config-router-ospf)# area <area index> enable
RS G8124(config-router-ospf)# exit
```

Note – The *area* option above is an arbitrary index used only on the switch and does not represent the actual OSPF area number. The actual OSPF area number is defined in the *area-id* portion of the command as explained in the following sections.

Assigning the Area Index

The *area <area index>* option is actually just an arbitrary index (0–5) used only by the G8124. This index number does not necessarily represent the OSPF area number, though for configuration simplicity, it should where possible.

For example, both of the following sets of commands define OSPF area 0 (the backbone) and area 1 because that information is held in the *area ID* portion of the command. However, the first set of commands is easier to maintain because the arbitrary area indexes agree with the area IDs:

- Area index and area ID agree

<code>area 0 area-id 0.0.0.0</code>	<i>(Use index 0 to set area 0 in ID octet format)</i>
<code>area 1 area-id 0.0.0.1</code>	<i>(Use index 1 to set area 1 in ID octet format)</i>
- Area index set to an arbitrary value

<code>area 1 area-id 0.0.0.0</code>	<i>(Use index 1 to set area 0 in ID octet format)</i>
<code>area 2 area-id 0.0.0.1</code>	<i>(Use index 2 to set area 1 in ID octet format)</i>

Using the Area ID to Assign the OSPF Area Number

The OSPF area number is defined in the `areaid <IP address>` option. The octet format is used in order to be compatible with two different systems of notation used by other OSPF network vendors. There are two valid ways to designate an area ID:

- Placing the area number in the last octet (0.0.0.*n*)

Most common OSPF vendors express the area ID number as a single number. For example, the Cisco IOS-based router command “`network 1.1.1.0 0.0.0.255 area 1`” defines the area number simply as “`area 1`.” On the G8124, using the last octet in the area ID, “`area 1`” is equivalent to “`area-id 0.0.0.1`”.
- Multi-octet (*IP address*)

Some OSPF vendors express the area ID number in multi-octet format. For example, “`area 2.2.2.2`” represents OSPF area 2 and can be specified directly on the G8124 as “`area-id 2.2.2.2`”.

Note – Although both types of area ID formats are supported, be sure that the area IDs are in the same format throughout an area.

Attaching an Area to a Network

Once an OSPF area has been defined, it must be associated with a network. To attach the area to a network, you must assign the OSPF area index to an IP interface that participates in the area. The format for the command is as follows:

```
RS G8124(config)# interface ip <interface number>
RS G8124(config-ip-if)# ip ospf area <area index>
RS G8124(config-ip-if)# exit
```

For example, the following commands could be used to configure IP interface 14 for a presence on the 10.10.10.1/24 network, to define OSPF area 1, and to attach the area to the network:

```
RS G8124(config)# router ospf
RS G8124(config-router-ospf)# area 1 area-id 0.0.0.1
RS G8124(config-router-ospf)# enable
RS G8124(config-router-ospf)# exit
RS G8124(config)# interface ip 14
RS G8124(config-ip-if)# ip address 10.10.10.1
RS G8124(config-ip-if)# ip netmask 255.255.255.0
RS G8124(config-ip-if)# enable
RS G8124(config-ip-if)# ip ospf area 1
RS G8124(config-ip-if)# ip ospf enable
```

Note – OSPFv2 supports IPv4 only. IPv6 is supported in OSPFv3 (see “[OSPFv3 Implementation in BLADEOS](#)” on page 298).

Interface Cost

The OSPF link-state algorithm (Dijkstra's algorithm) places each routing device at the root of a tree and determines the cumulative *cost* required to reach each destination. Usually, the cost is inversely proportional to the bandwidth of the interface. Low cost indicates high bandwidth. You can manually enter the cost for the output route with the following command (Interface IP mode):

```
RS G8124(config-ip-if)# ip ospf cost <cost value (1-65535)>
```

Electing the Designated Router and Backup

In any area with more than two routing devices, a Designated Router (DR) is elected as the central contact for database exchanges among neighbors, and a Backup Designated Router (BDR) is elected in case the DR fails.

DR and BDR elections are made through the `hello` process. The election can be influenced by assigning a priority value to the OSPF interfaces on the G8124. The command is as follows:

```
RS G8124(config-ip-if)# ip ospf priority <priority value (0-255)>
```

A priority value of 255 is the highest, and 1 is the lowest. A priority value of 0 specifies that the interface cannot be used as a DR or BDR. In case of a tie, the routing device with the highest router ID wins. Interfaces configured as *passive* do not participate in the DR or BDR election process:

```
RS G8124(config-ip-if)# ip ospf passive-interface
RS G8124(config-ip-if)# exit
```

Summarizing Routes

Route summarization condenses routing information. Without summarization, each routing device in an OSPF network would retain a route to every subnet in the network. With summarization, routing devices can reduce some sets of routes to a single advertisement, reducing both the load on the routing device and the perceived complexity of the network. The importance of route summarization increases with network size.

Summary routes can be defined for up to 16 IP address ranges using the following command:

```
RS G8124(config)# router ospf
RS G8124(config-router-ospf)# area-range <range number> address
    <IP address> <mask>
```

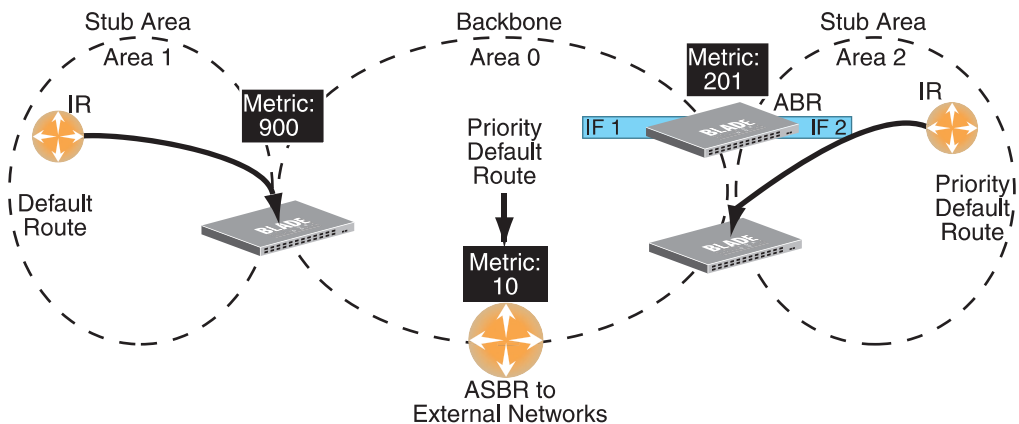
where *<range number>* is a number 1 to 16, *<IP address>* is the base IP address for the range, and *<mask>* is the IP address mask for the range. For a detailed configuration example, see [“Example 3: Summarizing Routes” on page 295](#).

Default Routes

When an OSPF routing device encounters traffic for a destination address it does not recognize, it forwards that traffic along the *default route*. Typically, the default route leads upstream toward the backbone until it reaches the intended area or an external router.

Each G8124 acting as an ABR automatically inserts a default route into each attached area. In simple OSPF stub areas or NSSAs with only one ABR leading upstream (see Area 1 in [Figure 32](#)), any traffic for IP address destinations outside the area is forwarded to the switch's IP interface, and then into the connected transit area (usually the backbone). Since this is automatic, no further configuration is required for such areas.

Figure 32 Injecting Default Routes



If the switch is in a transit area and has a configured default gateway, it can inject a default route into rest of the OSPF domain. Use the following command to configure the switch to inject OSPF default routes (Router OSPF mode):

```
RS G8124(config-router-ospf)# default-information <metric value>
<metric type (1 or 2)>
```

In the command above, <metric value> sets the priority for choosing this switch for default route. The value *none* sets no default and 1 sets the highest priority for default route. Metric type determines the method for influencing routing decisions for external routes.

When the switch is configured to inject a default route, an AS-external LSA with link state ID 0.0.0.0 is propagated throughout the OSPF routing domain. This LSA is sent with the configured metric value and metric type.

The OSPF default route configuration can be removed with the command:

```
RS G8124(config-router-ospf)# no default-information
```

Virtual Links

Usually, all areas in an OSPF AS are physically connected to the backbone. In some cases where this is not possible, you can use a *virtual link*. Virtual links are created to connect one area to the backbone through another non-backbone area (see [Figure 30 on page 274](#)).

The area which contains a virtual link must be a transit area and have full routing information. Virtual links cannot be configured inside a stub area or NSSA. The area type must be defined as `transit` using the following command:

```
RS G8124(config-router-ospf)# area <area index> type transit
```

The virtual link must be configured on the routing devices at each endpoint of the virtual link, though they may traverse multiple routing devices. To configure a G8124 as one endpoint of a virtual link, use the following command:

```
RS G8124(config-router-ospf)# area-virtual-link <link number>  
neighbor-router <router ID>
```

where *<link number>* is a value between 1 and 3, *<area index>* is the OSPF area index of the transit area, and *<router ID>* is the IP address of the virtual neighbor, the routing device at the target endpoint. Another router ID is needed when configuring a virtual link in the other direction. To provide the G8124 with a router ID, see the following section [Router ID](#).

For a detailed configuration example on Virtual Links, see [“Example 2: Virtual Links” on page 291](#).

Router ID

Routing devices in OSPF areas are identified by a router ID. The router ID is expressed in IP address format. The IP address of the router ID is not required to be included in any IP interface range or in any OSPF area.

The router ID can be configured in one of the following two ways:

- Dynamically—OSPF protocol configures the lowest IP interface IP address as the router ID. This is the default.
- Statically—Use the following command to manually configure the router ID:

```
RS G8124(config-router-ospf)# ip router-id <IPv4 address>
```

To modify the router ID from static to dynamic, set the router ID to 0.0.0.0, save the configuration, and reboot the G8124.

- To view the router ID, use the following command:

```
RS G8124(config-router-ospf)# show ip ospf
```

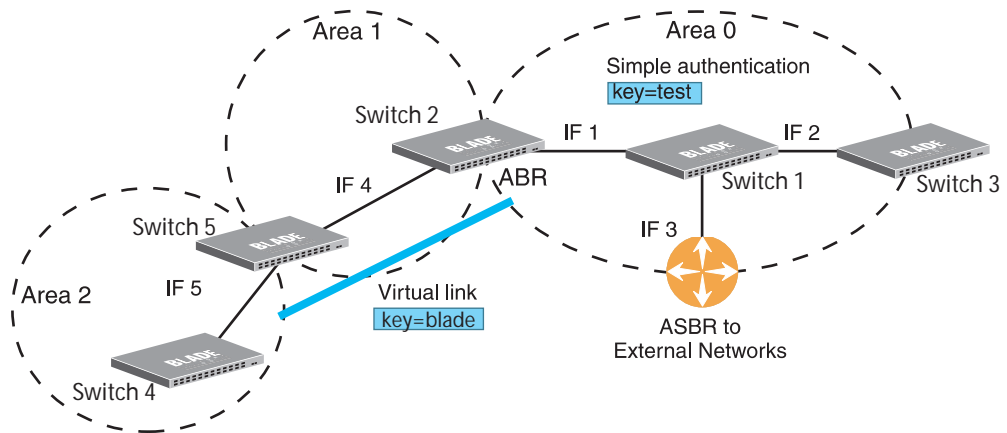
Authentication

OSPF protocol exchanges can be authenticated so that only trusted routing devices can participate. This ensures less processing on routing devices that are not listening to OSPF packets.

OSPF allows packet authentication and uses IP multicast when sending and receiving packets. Routers participate in routing domains based on pre-defined passwords. BLADEOS supports simple password (type 1 plain text passwords) and MD5 cryptographic authentication. This type of authentication allows a password to be configured per area.

Figure 33 shows authentication configured for area 0 with the password test. Simple authentication is also configured for the virtual link between area 2 and area 0. Area 1 is not configured for OSPF authentication.

Figure 33 OSPF Authentication



Configuring Plain Text OSPF Passwords

To configure simple plain text OSPF passwords on the switches shown in [Figure 33](#) use the following commands:

1. Enable OSPF authentication for Area 0 on switches 1, 2, and 3.

```
RS G8124(config-router-ospf)# area 0 authentication-type password
RS G8124(config-router-ospf)# exit
```

2. Configure a simple text password up to eight characters for each OSPF IP interface in Area 0 on switches 1, 2, and 3.

```
RS G8124(config)# interface ip 1
RS G8124(config-ip-if)# ip ospf key test
RS G8124(config-ip-if)# exit
RS G8124(config)# interface ip 2
RS G8124(config-ip-if)# ip ospf key test
RS G8124(config-ip-if)# exit
RS G8124(config)# interface ip 3
RS G8124(config-ip-if)# ip ospf key test
RS G8124(config-ip-if)# exit
```

3. Enable OSPF authentication for Area 2 on switch 4.

```
RS G8124(config)# router ospf
RS G8124(config-router-ospf)# area 2 authentication-type password
```

4. Configure a simple text password up to eight characters for the virtual link between Area 2 and Area 0 on switches 2 and 4.

```
RS G8124(config-router-ospf)# area-virtual-link 1 key blade
```

Configuring MD5 Authentication

Use the following commands to configure MD5 authentication on the switches shown in [Figure 33](#):

1. Enable OSPF MD5 authentication for Area 0 on switches 1, 2, and 3.

```
RS G8124(config-router-ospf)# area 0 authentication-type md5
```

2. Configure MD5 key ID for Area 0 on switches 1, 2, and 3.

```
RS G8124(config-router-ospf)# message-digest-key 1 md5-key test  
RS G8124(config-router-ospf)# exit
```

3. Assign MD5 key ID to OSPF interfaces on switches 1, 2, and 3.

```
RS G8124(config)# interface ip 1  
RS G8124(config-ip-if)# ip ospf message-digest-key 1  
RS G8124(config-ip-if)# exit  
RS G8124(config)# interface ip 2  
RS G8124(config-ip-if)# ip ospf message-digest-key 1  
RS G8124(config-ip-if)# exit  
RS G8124(config)# interface ip 3  
RS G8124(config-ip-if)# ip ospf message-digest-key 1  
RS G8124(config-ip-if)# exit
```

4. Enable OSPF MD5 authentication for Area 2 on switch 4.

```
RS G8124(config)# router ospf  
RS G8124(config-router-ospf)# area 1 authentication-type md5
```

5. Configure MD5 key for the virtual link between Area 2 and Area 0 on switches 2 and 4.

```
RS G8124(config-router-ospf)# message-digest-key 2 md5-key test
```

6. Assign MD5 key ID to OSPF virtual link on switches 2 and 4.

```
RS G8124(config-router-ospf)# area-virtual-link 1 message-digest-key 2  
RS G8124(config-router-ospf)# exit
```

Host Routes for Load Balancing

BLADEOS implementation of OSPF includes host routes. Host routes are used for advertising network device IP addresses to external networks, accomplishing the following goals:

- ABR Load Sharing

As a form of load balancing, host routes can be used for dividing OSPF traffic among multiple ABRs. To accomplish this, each switch provides identical services but advertises a host route for a different IP address to the external network. If each IP address serves a different and equal portion of the external world, incoming traffic from the upstream router should be split evenly among ABRs.

- ABR Failover

Complementing ABR load sharing, identical host routes can be configured on each ABR. These host routes can be given different costs so that a different ABR is selected as the preferred route for each server and the others are available as backups for failover purposes.

- Equal Cost Multipath (ECMP)

With equal cost multipath, a router potentially has several available next hops towards any given destination. ECMP allows separate routes to be calculated for each IP Type of Service. All paths of equal cost to a given destination are calculated, and the next hops for all equal-cost paths are inserted into the routing table.

If redundant routes via multiple routing processes (such as OSPF, RIP, BGP, or static routes) exist on your network, the switch defaults to the OSPF-derived route.

OSPF Features Not Supported in This Release

The following OSPF features are not supported in this release:

- Summarizing external routes
- Filtering OSPF routes
- Using OSPF to forward multicast routes
- Configuring OSPF on non-broadcast multi-access networks (such as frame relay, X.25, or ATM)

OSPFv2 Configuration Examples

A summary of the basic steps for configuring OSPF on the G8124 is listed here. Detailed instructions for each of the steps is covered in the following sections:

1. Configure IP interfaces.

One IP interface is required for each desired network (range of IP addresses) being assigned to an OSPF area on the switch.

2. (Optional) Configure the router ID.

The router ID is required only when configuring virtual links on the switch.

3. Enable OSPF on the switch.

4. Define the OSPF areas.

5. Configure OSPF interface parameters.

IP interfaces are used for attaching networks to the various areas.

6. (Optional) Configure route summarization between OSPF areas.

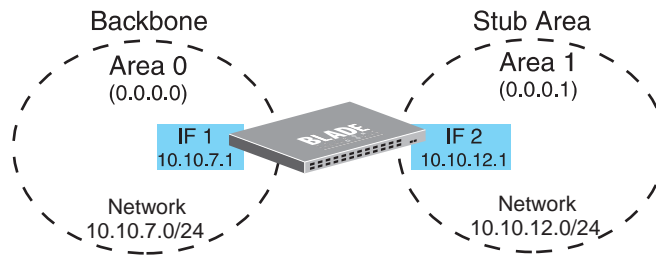
7. (Optional) Configure virtual links.

8. (Optional) Configure host routes.

Example 1: Simple OSPF Domain

In this example, two OSPF areas are defined—one area is the backbone and the other is a stub area. A stub area does not allow advertisements of external routes, thus reducing the size of the database. Instead, a default summary route of IP address 0.0.0.0 is automatically inserted into the stub area. Any traffic for IP address destinations outside the stub area will be forwarded to the stub area's IP interface, and then into the backbone.

Figure 34 A Simple OSPF Domain



Follow this procedure to configure OSPF support as shown in [Figure 34](#):

1. Configure IP interfaces on each network that will be attached to OSPF areas.

In this example, two IP interfaces are needed:

- Interface 1 for the backbone network on 10.10.7.0/24
- Interface 2 for the stub area network on 10.10.12.0/24

```
RS G8124(config)# interface ip 1
RS G8124(config-ip-if)# ip address 10.10.7.1
RS G8124(config-ip-if)# ip netmask 255.255.255.0
RS G8124(config-ip-if)# enable
RS G8124(config-ip-if)# exit
RS G8124(config)# interface ip 2
RS G8124(config-ip-if)# ip address 10.10.12.1
RS G8124(config-ip-if)# ip netmask 255.255.255.0
RS G8124(config-ip-if)# enable
RS G8124(config-ip-if)# exit
```

Note – OSPFv2 supports IPv4 only. IPv6 is supported in OSPFv3 (see [“OSPFv3 Implementation in BLADEOS”](#) on page 298).

2. Enable OSPF.

```
RS G8124(config)# router ospf
RS G8124(config-router-ospf)# enable
```

3. Define the backbone.

The backbone is always configured as a transit area using areaid 0.0.0.0.

```
RS G8124(config-router-ospf)# area 0 area-id 0.0.0.0  
RS G8124(config-router-ospf)# area 0 type transit  
RS G8124(config-router-ospf)# area 0 enable
```

4. Define the stub area.

```
RS G8124(config-router-ospf)# area 1 area-id 0.0.0.1  
RS G8124(config-router-ospf)# area 1 type stub  
RS G8124(config-router-ospf)# area 1 enable  
RS G8124(config-router-ospf)# exit
```

5. Attach the network interface to the backbone.

```
RS G8124(config)# interface ip 1  
RS G8124(config-ip-if)# ip ospf area 0  
RS G8124(config-ip-if)# ip ospf enable  
RS G8124(config-ip-if)# exit
```

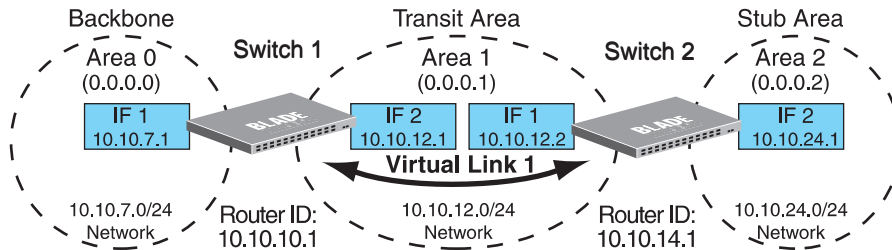
6. Attach the network interface to the stub area.

```
RS G8124(config)# interface ip 2  
RS G8124(config-ip-if)# ip ospf area 1  
RS G8124(config-ip-if)# ip ospf enable  
RS G8124(config-ip-if)# exit
```

Example 2: Virtual Links

In the example shown in [Figure 35](#), area 2 is not physically connected to the backbone as is usually required. Instead, area 2 will be connected to the backbone via a virtual link through area 1. The virtual link must be configured at each endpoint.

Figure 35 Configuring a Virtual Link



Note – OSPFv2 supports IPv4 only. IPv6 is supported in OSPFv3 (see [“OSPFv3 Implementation in BLADEOS”](#) on page 298).

Configuring OSPF for a Virtual Link on Switch #1

1. Configure IP interfaces on each network that will be attached to the switch.

In this example, two IP interfaces are needed:

- Interface 1 for the backbone network on 10.10.7.0/24
- Interface 2 for the transit area network on 10.10.12.0/24

```
RS G8124(config)# interface ip 1
RS G8124(config-ip-if)# ip address 10.10.7.1
RS G8124(config-ip-if)# ip netmask 255.255.255.0
RS G8124(config-ip-if)# enable
RS G8124(config-ip-if)# exit
RS G8124(config)# interface ip 2
RS G8124(config-ip-if)# ip address 10.10.12.1
RS G8124(config-ip-if)# ip netmask 255.255.255.0
RS G8124(config-ip-if)# enable
RS G8124(config-ip-if)# exit
```

2. Configure the router ID.

A router ID is required when configuring virtual links. Later, when configuring the other end of the virtual link on Switch 2, the router ID specified here will be used as the target virtual neighbor (`nbr`) address.

```
RS G8124(config)# ip router-id 10.10.10.1
```

3. Enable OSPF.

```
RS G8124(config)# router ospf
RS G8124(config-router-ospf)# enable
```

4. Define the backbone.

```
RS G8124(config-router-ospf)# area 0 area-id 0.0.0.0
RS G8124(config-router-ospf)# area 0 type transit
RS G8124(config-router-ospf)# area 0 enable
```

5. Define the transit area.

The area that contains the virtual link must be configured as a transit area.

```
RS G8124(config-router-ospf)# area 1 area-id 0.0.0.1
RS G8124(config-router-ospf)# area 1 type transit
RS G8124(config-router-ospf)# area 1 enable
RS G8124(config-router-ospf)# exit
```

6. Attach the network interface to the backbone.

```
RS G8124(config)# interface ip 1
RS G8124(config-ip-if)# ip ospf area 0
RS G8124(config-ip-if)# ip ospf enable
RS G8124(config-ip-if)# exit
```

7. Attach the network interface to the transit area.

```
RS G8124(config)# interface ip 2
RS G8124(config-ip-if)# ip ospf area 1
RS G8124(config-ip-if)# ip ospf enable
RS G8124(config-ip-if)# exit
```

8. Configure the virtual link.

The nbr router ID configured in this step must be the same as the router ID that will be configured for Switch #2 in [Step 2 on page 293](#).

```
RS G8124(config)# router ospf
RS G8124(config-router-ospf)# area-virtual-link 1 area 1
RS G8124(config-router-ospf)# area-virtual-link 1 neighbor-router
10.10.14.1
RS G8124(config-router-ospf)# area-virtual-link 1 enable
```

Configuring OSPF for a Virtual Link on Switch #2

1. Configure IP interfaces on each network that will be attached to OSPF areas.

In this example, two IP interfaces are needed:

- Interface 1 for the transit area network on 10.10.12.0/24
- Interface 2 for the stub area network on 10.10.24.0/24

```
RS G8124(config)# interface ip 1
RS G8124(config-ip-if)# ip address 10.10.12.2
RS G8124(config-ip-if)# ip netmask 255.255.255.0
RS G8124(config-ip-if)# enable
RS G8124(config-ip-if)# exit
RS G8124(config)# interface ip 2
RS G8124(config-ip-if)# ip address 10.10.24.1
RS G8124(config-ip-if)# ip netmask 255.255.255.0
RS G8124(config-ip-if)# enable
RS G8124(config-ip-if)# exit
```

2. Configure the router ID.

A router ID is required when configuring virtual links. This router ID should be the same one specified as the target virtual neighbor (nbr) on switch 1 in [Step 8 on page 292](#).

```
RS G8124(config)# ip router-id 10.10.14.1
```

3. Enable OSPF.

```
RS G8124(config)# router ospf
RS G8124(config-router-ospf)# enable
```

4. Define the backbone.

This version of BLADEOS requires that a backbone index be configured on the non-backbone end of the virtual link as follows:

```
RS G8124(config-router-ospf)# area 0 area-id 0.0.0.0
RS G8124(config-router-ospf)# area 0 enable
```

5. Define the transit area.

```
RS G8124(config-router-ospf)# area 1 area-id 0.0.0.1
RS G8124(config-router-ospf)# area 1 type transit
RS G8124(config-router-ospf)# area 1 enable
```

6. Define the stub area.

```
RS G8124(config-router-ospf)# area 2 area-id 0.0.0.2
RS G8124(config-router-ospf)# area 1 type stub
RS G8124(config-router-ospf)# area 1 enable
RS G8124(config-router-ospf)# exit
```

7. Attach the network interface to the backbone.

```
RS G8124(config)# interface ip 1
RS G8124(config-ip-if)# ip ospf area 1
RS G8124(config-ip-if)# ip ospf enable
RS G8124(config-ip-if)# exit
```

8. Attach the network interface to the transit area.

```
RS G8124(config)# interface ip 2
RS G8124(config-ip-if)# ip ospf area 2
RS G8124(config-ip-if)# ip ospf enable
RS G8124(config-ip-if)# exit
```

9. Configure the virtual link.

The nbr router ID configured in this step must be the same as the router ID that was configured for switch #1 in [Step 2 on page 291](#).

```
RS G8124(config)# router ospf
RS G8124(config-router-ospf)# area-virtual-link 1 area 1
RS G8124(config-router-ospf)# area-virtual-link 1 neighbor-router
10.10.10.1
RS G8124(config-router-ospf)# area-virtual-link 1 enable
```

Other Virtual Link Options

- You can use redundant paths by configuring multiple virtual links.
- Only the endpoints of the virtual link are configured. The virtual link path may traverse multiple routers in an area as long as there is a routable path between the endpoints.

Example 3: Summarizing Routes

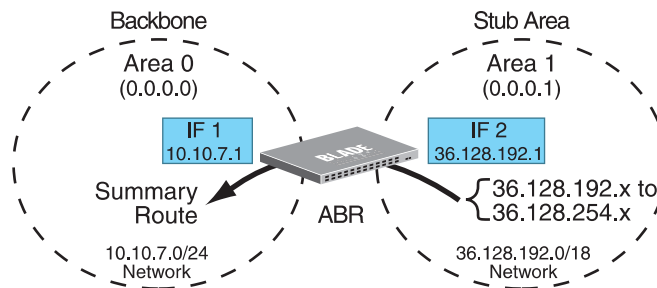
By default, ABRs advertise all the network addresses from one area into another area. Route summarization can be used for consolidating advertised addresses and reducing the perceived complexity of the network.

If network IP addresses in an area are assigned to a contiguous subnet range, you can configure the ABR to advertise a single summary route that includes all individual IP addresses within the area.

The following example shows one summary route from area 1 (stub area) injected into area 0 (the backbone). The summary route consists of all IP addresses from 36.128.192.0 through 36.128.254.255 except for the routes in the range 36.128.200.0 through 36.128.200.255.

Note – OSPFv2 supports IPv4 only. IPv6 is supported in OSPFv3 (see “[OSPFv3 Implementation in BLADEOS](#)” on page 298).

Figure 36 Summarizing Routes



Note – You can specify a range of addresses to prevent advertising by using the hide option. In this example, routes in the range 36.128.200.0 through 36.128.200.255 are kept private.

Use the following procedure to configure OSPF support as shown in [Figure 36](#):

1. Configure IP interfaces for each network which will be attached to OSPF areas.

```
RS G8124(config)# interface ip 1
RS G8124(config-ip-if)# ip address 10.10.7.1
RS G8124(config-ip-if)# ip netmask 255.255.255.0
RS G8124(config-ip-if)# enable
RS G8124(config-ip-if)# exit
RS G8124(config)# interface ip 2
RS G8124(config-ip-if)# ip address 36.128.192.1
RS G8124(config-ip-if)# ip netmask 255.255.255.0
RS G8124(config-ip-if)# enable
RS G8124(config-ip-if)# exit
```

2. Enable OSPF.

```
RS G8124(config)# router ospf  
RS G8124(config-router-ospf)# enable
```

3. Define the backbone.

```
RS G8124(config-router-ospf)# area 0 area-id 0.0.0.0  
RS G8124(config-router-ospf)# area 0 type transit  
RS G8124(config-router-ospf)# area 0 enable
```

4. Define the stub area.

```
RS G8124(config-router-ospf)# area 1 area-id 0.0.0.1  
RS G8124(config-router-ospf)# area 1 type stub  
RS G8124(config-router-ospf)# area 1 enable  
RS G8124(config-router-ospf)# exit
```

5. Attach the network interface to the backbone.

```
RS G8124(config)# interface ip 1  
RS G8124(config-ip-if)# ip ospf area 0  
RS G8124(config-ip-if)# ip ospf enable  
RS G8124(config-ip-if)# exit
```

6. Attach the network interface to the stub area.

```
RS G8124(config)# interface ip 2  
RS G8124(config-ip-if)# ip ospf area 1  
RS G8124(config-ip-if)# ip ospf enable  
RS G8124(config-ip-if)# exit
```

7. Configure route summarization by specifying the starting address and mask of the range of addresses to be summarized.

```
RS G8124(config)# router ospf  
RS G8124(config-router-ospf)# area-range 1 address 36.128.192.0  
255.255.192.0  
RS G8124(config-router-ospf)# area-range 1 area 0  
RS G8124(config-router-ospf)# area-range 1 enable  
RS G8124(config-router-ospf)# exit
```


8. Use the `hide` command to prevent a range of addresses from advertising to the backbone.

```
RS G8124(config)# router ospf
RS G8124(config-router-ospf)# area-range 2 address 36.128.200.0
255.255.255.0
RS G8124(config-router-ospf)# area-range 2 area 0
RS G8124(config-router-ospf)# area-range 2 hide
RS G8124(config-router-ospf)# exit
```

Verifying OSPF Configuration

Use the following commands to verify the OSPF configuration on your switch:

- **show ip ospf**
- **show ip ospf neighbor**
- **show ip ospf database database-summary**
- **show ip ospf routes**

Refer to the *BLADEOS Command Reference* for information on the above commands.

OSPFv3 Implementation in BLADEOS

OSPF version 3 is based on OSPF version 2, but has been modified to support IPv6 addressing. In most other ways, OSPFv3 is similar to OSPFv2: They both have the same packet types and interfaces, and both use the same mechanisms for neighbor discovery, adjacency formation, LSA flooding, aging, and so on. The administrator should be familiar with the OSPFv2 concepts covered in the preceding sections of this chapter before implementing the OSPFv3 differences as described in the following sections.

Although OSPFv2 and OSPFv3 are very similar, they represent independent features on the G8124. They are configured separately, and both can run in parallel on the switch with no relation to one another, serving different IPv6 and IPv4 traffic, respectively.

OSPFv3 Differences from OSPFv2

Note – When OSPFv3 is enabled, the OSPF backbone area (0.0.0.0) is created by default and is always active.

OSPFv3 Requires IPv6 Interfaces

OSPFv3 is designed to support IPv6 addresses. This requires IPv6 interfaces to be configured on the switch and assigned to OSPF areas, in much the same way IPv4 interfaces are assigned to areas in OSPFv2. This is the primary configuration difference between OSPFv3 and OSPFv2.

See [“Internet Protocol Version 6” on page 229](#) for configuring IPv6 interfaces.

OSPFv3 Uses Independent Command Paths

Though OSPFv3 and OSPFv2 are very similar, they are configured independently. They each have their own separate menus in the CLI, and their own command paths in the ISCLI. OSPFv3 base menus and command paths are located as follows:

- In the CLI

```
>> # /cfg/13/ospf3           (OSPFv3 config menu)
>> # /info/13/ospf3         (OSPFv3 information menu)
>> # /stats/13/ospf3       (OSPFv3 statistics menu)
```

- In the ISCLI

```
RS G8124(config)# ipv6 router ospf           (OSPFv3 router config mode)
RS G8124(config-router-ospf3)# ?

RS G8124(config)# interface ip <Interface number> (Configure OSPFv3)
RS G8124(config-ip-if)# ipv6 ospf ?          (OSPFv3 interface config)

RS G8124# show ipv6 ospf ?                  (Show OSPFv3 information)
```

OSPFv3 Identifies Neighbors by Router ID

Where OSPFv2 uses a mix of IPv4 interface addresses and Router IDs to identify neighbors, depending on their type, OSPFv3 configuration consistently uses a Router ID to identify all neighbors.

Although Router IDs are written in dotted decimal notation, and may even be based on IPv4 addresses from an original OSPFv2 network configuration, it is important to realize that Router IDs are not IP addresses in OSPFv3, and can be assigned independently of IP address space. However, maintaining Router IDs consistent with any legacy OSPFv2 IPv4 addressing allows for easier implementation of both protocols.

Other Internal Improvements

OSPFv3 has numerous improvements that increase the protocol efficiency in addition to supporting IPv6 addressing. These improvements change some of the behaviors in the OSPFv3 network and may affect topology consideration, but have little direct impact on configuration. For example:

- Addressing fields have been removed from Router and Network LSAs.
- Link-local flooding scope has been added, along with a Link LSA. This allows flooding information to relevant local neighbors without forwarded it beyond the local router.
- Flexible treatment of unknown LSA types to make integration of OSPFv3 easier.

OSPFv3 Limitations

BLADEOS 6.5 does not currently support the following OSPFv3 features:

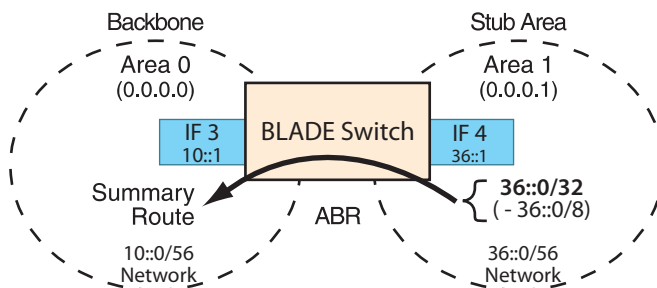
- Multiple instances of OSPFv3 on one IPv6 link.
- Authentication via IPv6 Security (IPsec)

OSPFv3 Configuration Example

The following example depicts the OSPFv3 equivalent configuration of “[Example 3: Summarizing Routes](#)” on page 295 for OSPFv2.

In this example, one summary route from area 1 (stub area) is injected into area 0 (the backbone). The summary route consists of all IP addresses from the 36::0/32 portion of the 36::0/56 network, except for the routes in the 36::0/8 range.

Figure 37 Summarizing Routes



Note – You can specify a range of addresses to prevent advertising by using the `hide` option. In this example, routes in the 36::0/8 range are kept private.

Use the following procedure to configure OSPFv3 support as shown in [Figure 36](#):

1. Configure IPv6 interfaces for each link which will be attached to OSPFv3 areas.

```
RS G8124(config)# interface ip 3
RS G8124(config-ip-if)# ipv6 address 10:0:0:0:0:0:1
RS G8124(config-ip-if)# ipv6 prefixlen 56
RS G8124(config-ip-if)# enable
RS G8124(config-ip-if)# exit
RS G8124(config)# interface ip 4
RS G8124(config-ip-if)# ip address 36:0:0:0:0:0:1
RS G8124(config-ip-if)# ipv6 prefixlen 56
RS G8124(config-ip-if)# enable
RS G8124(config-ip-if)# exit
```

This is equivalent to configuring the IP address and netmask for IPv4 interfaces.

2. Enable OSPFv3.

```
RS G8124(config)# ipv6 router ospf  
RS G8124(config-router-ospf3)# enable
```

This is equivalent to the OSPFv2 `enable` option in the `router ospf` command path.

3. Define the backbone.

```
RS G8124(config-router-ospf3)# area 0 area-id 0.0.0.0  
RS G8124(config-router-ospf3)# area 0 type transit  
RS G8124(config-router-ospf3)# area 0 enable
```

This is identical to OSPFv2 configuration.

4. Define the stub area.

```
RS G8124(config-router-ospf3)# area 1 area-id 0.0.0.1  
RS G8124(config-router-ospf3)# area 1 type stub  
RS G8124(config-router-ospf3)# area 1 enable  
RS G8124(config-router-ospf3)# exit
```

This is identical to OSPFv2 configuration.

5. Attach the network interface to the backbone.

```
RS G8124(config)# interface ip 3  
RS G8124(config-ip-if)# ipv6 ospf area 0  
RS G8124(config-ip-if)# ipv6 ospf enable  
RS G8124(config-ip-if)# exit
```

The `ipv6` command path is used instead of the OSPFv2 `ip` command path

6. Attach the network interface to the stub area.

```
RS G8124(config)# interface ip 4  
RS G8124(config-ip-if)# ipv6 ospf area 1  
RS G8124(config-ip-if)# ipv6 ospf enable  
RS G8124(config-ip-if)# exit
```

The `ipv6` command path is used instead of the OSPFv2 `ip` command path

7. Configure route summarization by specifying the starting address and prefix length of the range of addresses to be summarized.

```
RS G8124(config)# ipv6 router ospf  
RS G8124(config-router-ospf3)# area-range 1 address 36:0:0:0:0:0:0 32  
RS G8124(config-router-ospf3)# area-range 1 area 0  
RS G8124(config-router-ospf3)# area-range 1 enable
```

This differs from OSPFv2 only in that the OSPFv3 command path is used, and the address and prefix are specified in IPv6 format.

8. Use the hide command to prevent a range of addresses from advertising to the backbone.

```
RS G8124(config-router-ospf)# area-range 2 address 36:0:0:0:0:0:0 8  
RS G8124(config-router-ospf)# area-range 2 area 0  
RS G8124(config-router-ospf)# area-range 2 hide  
RS G8124(config-router-ospf)# exit
```

This differs from OSPFv2 only in that the OSPFv3 command path is used, and the address and prefix are specified in IPv6 format.

CHAPTER 21

Protocol Independent Multicast

BLADEOS supports Protocol Independent Multicast (PIM) in Sparse Mode (PIM-SM) and Dense Mode (PIM-DM).

Note – BLADEOS 6.5 does not support IPv6 for PIM.

The following sections discuss PIM support for the RackSwitch G8124:

- [“PIM Overview” on page 303](#)
- [“Supported PIM Modes and Features” on page 304](#)
- [“Basic PIM Settings” on page 305](#)
- [“Additional Sparse Mode Settings” on page 308](#)
- [“Using PIM with Other Features” on page 310](#)
- [“PIM Configuration Examples” on page 311](#)

PIM Overview

PIM is designed for efficiently routing multicast traffic across one or more IPv4 domains. This has benefits for application such as IP television, collaboration, education, and software delivery, where a single source must deliver content (a multicast) to a group of receivers that span both wide-area and inter-domain networks.

Instead of sending a separate copy of content to each receiver, a multicast derives efficiency by sending only a single copy of content toward its intended receivers. This single copy only becomes duplicated when it reaches the target domain that includes multiple receivers, or when it reaches a necessary bifurcation point leading to different receiver domains.

PIM is used by multicast source stations, client receivers, and intermediary routers and switches, to build and maintain efficient multicast routing trees. PIM is protocol independent; It collects routing information using the existing unicast routing functions underlying the IPv4 network, but does not rely on any particular unicast protocol. For PIM to function, a Layer 3 routing protocol (such as BGP, OSPF, RIP, or static routes) must first be configured on the switch.

PIM-SM is a reverse-path routing mechanism. Client receiver stations advertise their willingness to join a multicast group. The local routing and switching devices collect multicast routing information and forward the request toward the station that will provide the multicast content. When the join requests reach the sending station, the multicast data is sent toward the receivers, flowing in the opposite direction of the original join requests.

Some routing and switching devices perform special PIM-SM functions. Within each receiver domain, one router is elected as the Designated Router (DR) for handling multicasts for the domain. DRs forward information to a similar device, the Rendezvous Point (RP), which holds the root tree for the particular multicast group.

Receiver join requests as well as sender multicast content initially converge at the RP, which generates and distributes multicast routing data for the DRs along the delivery path. As the multicast content flows, DRs use the routing tree information obtained from the RP to optimize the paths both to and from send and receive stations, bypassing the RP for the remainder of content transactions if a more efficient route is available.

DRs continue to share routing information with the RP, modifying the multicast routing tree when new receivers join, or pruning the tree when all the receivers in any particular domain are no longer part of the multicast group.

Supported PIM Modes and Features

For each interface attached to a PIM network component, PIM can be configured to operate either in PIM Sparse Mode (PIM-SM) or PIM Dense Mode (PIM-DM).

- PIM-SM is used in networks where multicast senders and receivers comprise a relatively small (sparse) portion of the overall network. PIM-SM uses a more complex process than PIM-DM for collecting and optimizing multicast routes, but minimizes impact on other IP services and is more commonly used.
- PIM-DM is used where multicast devices are a relatively large (dense) portion of the network, with very frequent (or constant) multicast traffic. PIM-DM requires less configuration on the switch than PIM-SM, but uses broadcasts that can consume more bandwidth in establishing and optimizing routes.

The following PIM modes and features are *not* currently supported in BLADEOS 6.5:

- Hybrid Sparse-Dense Mode (PIM-SM/DM). Sparse Mode and Dense Mode may be configured on separate IP interfaces on the switch, but are not currently supported simultaneously on the same IP interface.
- PIM Source-Specific Multicast (PIM-SSM)
- Anycast RP
- PIM RP filters
- Only configuration via the switch ISCLI is supported. PIM configuration is currently not available using the menu-based CLI, the BBI, or via SNMP.

Basic PIM Settings

To use PIM the following is required:

- The PIM feature must be enabled globally on the switch.
- PIM network components and PIM modes must be defined.
- IP interfaces must be configured for each PIM component.
- PIM neighbor filters may be defined (optional).
- If PIM-SM is used, define additional parameters:
 - Rendezvous Point
 - Designated Router preferences (optional)
 - Bootstrap Router preferences (optional)

Each of these tasks is covered in the following sections.

Note – In BLADEOS 6.5, PIM can be configured through the ISCLI only. PIM configuration and information are not available using the menu-based CLI, the BBI, or via SNMP.

Globally Enabling or Disabling the PIM Feature

By default, PIM is disabled on the switch. PIM can be globally enabled or disabled using the following commands:

```
RS G8124(config)# [no] ip pim enable
```

Defining a PIM Network Component

The G8124 can be attached to a maximum of two independent PIM network components. Each component represents a different PIM network, and can be defined for either PIM-SM or PIM-DM operation. Basic PIM component configuration is performed using the following commands:

```
RS G8124(config)# ip pim component <1-2>
RS G8124(config-ip-pim-comp)# mode {sparse|dense}
RS G8124(config-ip-pim-comp)# exit
```

The `sparse` option will place the component in Sparse Mode (PIM-SM). The `dense` option will place the component in Dense Mode (PIM-DM). By default, PIM component 1 is configured for Sparse Mode. PIM component 2 is unconfigured by default.

Note – A component using PIM-SM must also be configured with a dynamic or static Rendezvous Point (see “[Specifying the Rendezvous Point](#)” on page 308).

Defining an IP Interface for PIM Use

Each network attached to an IP interface on the switch may be assigned one of the available PIM components. The same PIM component can be assigned to multiple IP interfaces. The interfaces may belong to the same VLAN, and they may also belong to different VLANs as long as their member IP addresses do not overlap.

To define an IP interface for use with PIM, first configured the interface with an IPv4 address and VLAN as follows:

```
RS G8124(config)# interface ip <Interface number>
RS G8124(config-ip-if)# ip address <IPv4 address> <IPv4 mask>
RS G8124(config-ip-if)# vlan <VLAN number>
RS G8124(config-ip-if)# enable
```

Note – The PIM feature currently supports only one VLAN for each IP interface. Configurations where different interfaces on different VLANs share IP addresses are not supported.

Next, PIM must be enabled on the interface, and the PIM network component ID must be specified:

```
RS G8124(config-ip-if)# ip pim enable
RS G8124(config-ip-if)# ip pim component-id <1-2>
RS G8124(config-ip-if)# exit
```

By default, PIM component 1 is automatically assigned when PIM is enabled on the IP interface.

Note – While PIM is enabled on the interface, the interface VLAN cannot be changed. To change the VLAN, first disable PIM on the interface.

PIM Neighbor Filters

The G8124 accepts connection to up to 72 PIM interfaces. By default, the switch accepts all PIM neighbors attached to the PIM-enabled interfaces, up to the maximum number. Once the maximum is reached, the switch will deny further PIM neighbors.

To ensure that only the appropriate PIM neighbors are accepted by the switch, the administrator can use PIM neighbor filters to specify which PIM neighbors may be accepted or denied on a per-interface basis.

To turn PIM neighbor filtering on or off for a particular IP interface, use the following commands:

```
RS G8124(config)# interface ip <Interface number>
RS G8124(config-ip-if)# [no] ip pim neighbor-filter
```

When filtering is enabled, all PIM neighbor requests on the specified IP interface will be denied by default. To allow a specific PIM neighbor, use the following command:

```
RS G8124(config-ip-if)# ip pim neighbor-addr <neighbor IPv4 address> allow
```

To remove a PIM neighbor from the accepted list, use the following command.

```
RS G8124(config-ip-if)# ip pim neighbor-addr <neighbor IPv4 address> deny
RS G8124(config-ip-if)# exit
```

You can view configured PIM neighbor filters globally or for a specific IP interface using the following commands:

```
RS G8124(config)# show ip pim neighbor-filters
RS G8124(config)# show ip pim interface <Interface number> neighbor-filters
```

Additional Sparse Mode Settings

Specifying the Rendezvous Point

Using PIM-SM, at least one PIM-capable router must be a candidate for use as a Rendezvous Point (RP) for any given multicast group. If desired, the G8124 can act as an RP candidate. To assign a configured switch IP interface as a candidate, use the following procedure.

1. Select the PIM component that will represent the RP candidate:

```
RS G8124(config)# ip pim component <1-2>
```

2. Configure the IPv4 address of the switch interface which will be advertised as a candidate RP for the specified multicast group:

```
RS G8124(config-ip-pim-comp)# rp-candidate rp-address <group address>
<group address mask> <candidate IPv4 address>
```

The switch interface will participate in the election of the RP that occurs on the Bootstrap Router, or BSR (see [“Specifying a Bootstrap Router”](#) on page 309).

Alternately, if no election is desired, the switch can provide a static RP, specified using the following command:

```
RS G8124(config-ip-pim-comp)# rp-static rp-address <group address>
<group address mask> <candidate IPv4 address>
```

3. If using dynamic RP candidates, configure the amount of time that the elected interface will remain the RP for the group before a re-election is performed:

```
RS G8124(config-ip-pim-comp)# rp-candidate holdtime <1-255>
RS G8124(config-ip-pim-comp)# exit
```

Influencing the Designated Router Selection

Using PIM-SM, All PIM-enabled IP interfaces are considered as potential Designate Routers (DR) for their domain. By default, the interface with the highest IP address on the domain is selected. However, if an interface is configured with a DR priority value, it overrides the IP address selection process. If more than one interface on a domain is configured with a DR priority, the one with the highest number is selected.

Use the following commands to configure the DR priority value (Interface IP mode):

```
RS G8124(config)# interface ip <Interface number>
RS G8124(config-ip-if)# ip pim dr-priority <value (0-4294967294)>
RS G8124(config-ip-if)# exit
```

Note – A value of 0 (zero) specifies that the G8124 will not act as the DR. This setting requires the G8124 to be connected to a peer that has a DR priority setting of 1 or higher in order to ensure that a DR will be present in the network.

Specifying a Bootstrap Router

Using PIM-SM, a Bootstrap Router (BSR) is a PIM-capable router that hosts the election of the RP from available candidate routers. For each PIM-enabled IP interface, the administrator can set the preference level for which the local interface becomes the BSR:

```
RS G8124(config)# interface ip <Interface number>
RS G8124(config-ip-if)# ip pim cbsr-preference <-1 to 255>
RS G8124(config-ip-if)# exit
```

A value of 255 highly prefers the local interface as a BSR. A value of -1 indicates that the local interface should not act as a BSR.

Using PIM with Other Features

PIM with ACLs or VMAPs

If using ACLs or VMAPs, be sure to permit traffic for local hosts and routers.

PIM with IGMP

If using IGMP (see “[Internet Group Management Protocol](#)” on page 249):

- IGMP static joins can be configured with a PIM-SM or PIM-DM multicast group IPv4 address. Using the ISCLI:

```
RS G8124(config)# ip mroute <multicast group IPv4 address> <VLAN> <port>
```

Using the CLI

```
>> # /cfg/13/mroute <multicast group IPv4 address> <VLAN> <port>
```

- IGMP Query is disabled by default. If IGMP Querier is needed with PIM, be sure to enable the IGMP Query feature globally, as well as on each VLAN where it is needed.
- If the switch is connected to multicast receivers and/or hosts, be sure to enable IGMP snooping globally, as well as on each VLAN where PIM receivers are attached.

PIM Configuration Examples

Example 1: PIM-SM with Dynamic RP

This example configures PIM Sparse Mode for one IP interface, with the switch acting as a candidate for dynamic Rendezvous Point (RP) selection.

1. Globally enable the PIM feature:

```
RS G8124(config)# ip pim enable
```

2. Configure a PIM network component with dynamic RP settings, and set it for PIM Sparse Mode:

```
RS G8124(config)# ip pim component 1
RS G8124(config-ip-pim-comp)# mode sparse
RS G8124(config-ip-pim-comp)# rp-candidate rp-address 225.1.0.0
255.255.0.0 10.10.1.1
RS G8124(config-ip-pim-comp)# exit
```

Where 225.1.0.0 is the multicast group base IP address, 255.255.0.0 is the multicast group address mask, and 10.10.1.1 is the switch RP candidate address.

Note – Because, Sparse Mode is set by default for PIM component 1, the mode command is needed only if the mode has been previously changed.

3. Define an IP interface for use with PIM:

```
RS G8124(config)# interface ip 111
RS G8124(config-ip-if)# ip address 10.10.1.1 255.255.255.255
RS G8124(config-ip-if)# vlan 11
RS G8124(config-ip-if)# enable
```

The IP interface represents the PIM network being connected to the switch. The IPv4 addresses in the defined range must not be included in another IP interface on the switch under a different VLAN.

4. Enable PIM on the IP interface and assign the PIM component:

```
RS G8124(config-ip-if)# ip pim enable
RS G8124(config-ip-if)# ip pim component-id 1
```

Note – Because, PIM component 1 is assigned to the interface by default, the component-id command is needed only if the setting has been previously changed.

5. Set the Bootstrap Router (BSR) preference:

```
RS G8124(config-ip-if)# ip pim cbsr-preference 135
RS G8124(config-ip-if)# exit
```

Example 2: PIM-SM with Static RP

The following commands can be used to modify the prior example configuration to use a static RP:

```
RS G8124(config)# ip pim static-rp enable
RS G8124(config)# ip pim component 1
RS G8124(config-ip-pim-comp)# rp-static rp-address 225.1.0.0
                255.255.0.0 10.10.1.1
RS G8124(config-ip-pim-comp)# exit
```

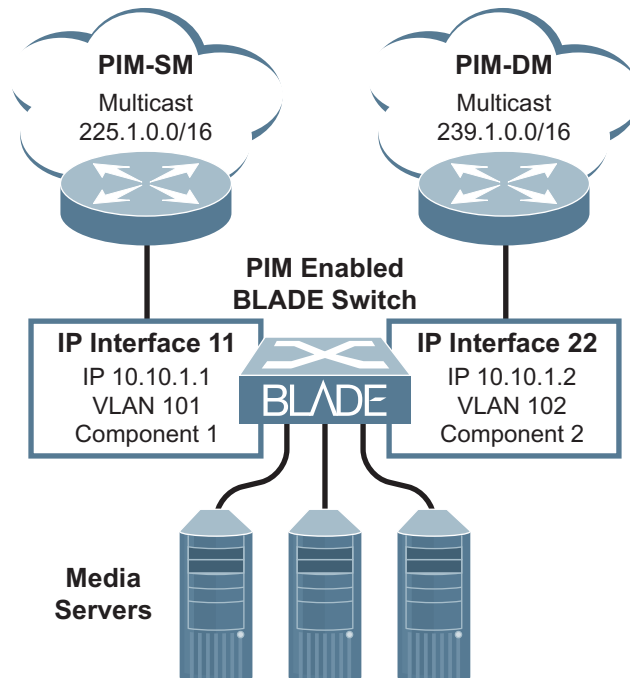
Where 225.1.0.0 255.255.0.0 is the multicast group base address and mask, and 10.10.1.1 is the RP candidate address.

Note – The same static RP address should be configured for all switches in the group.

Example 3: PIM-DM

This example configures PIM Dense Mode (PIM-DM) on one IP interface. PIM-DM can be configured independently, or it can be combined with the prior PIM-SM examples (which are configured on a different PIM component) as shown in [Figure 38](#).

Figure 38 Network with both PIM-DM and PIM-SM Components



1. Configure the PIM-SM component as shown in the prior examples, or if using PIM-DM independently, enable the PIM feature.

```
RS G8124(config)# ip pim enable
```

2. Configure a PIM component and set the PIM mode:

```
RS G8124(config)# ip pim component 2
RS G8124(config-ip-pim-comp)# mode dense
RS G8124(config-ip-pim-comp)# exit
```

3. Define an IP interface for use with PIM:

```
RS G8124(config)# interface ip 102
RS G8124(config-ip-if)# ip address 10.10.1.2 255.255.255.255
RS G8124(config-ip-if)# vlan 22
RS G8124(config-ip-if)# enable
```

4. Enable PIM on the IP interface and assign the PIM component:

```
RS G8124(config-ip-if)# ip pim enable
RS G8124(config-ip-if)# ip pim component-id 2
RS G8124(config-ip-if)# exit
```

Note – For PIM Dense Mode, the DR, RP, and BSR settings do not apply.

Part 6: High Availability Fundamentals

Internet traffic consists of myriad services and applications which use the Internet Protocol (IP) for data delivery. However, IP is not optimized for all the various applications. High Availability goes beyond IP and makes intelligent switching decisions to provide redundant network configurations.

CHAPTER 22

Basic Redundancy

BLADEOS 6.5 includes various features for providing basic link or device redundancy:

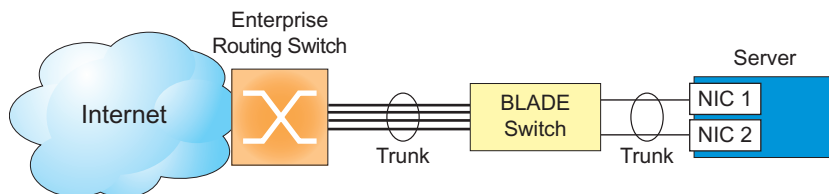
- [“Trunking for Link Redundancy” on page 317](#)
- [“Hot Links” on page 318](#)
- [“Active MultiPath Protocol” on page 320](#)

Trunking for Link Redundancy

Multiple switch ports can be combined together to form robust, high-bandwidth trunks to other devices. Since trunks are comprised of multiple physical links, the trunk group is inherently fault tolerant. As long as one connection between the switches is available, the trunk remains active.

In [Figure 39](#), four ports are trunked together between the switch and the enterprise routing device. Connectivity is maintained as long as one of the links remain active. The links to the server are also trunked, allowing the secondary NIC to take over in the event that the primary NIC link fails.

Figure 39 Trunking Ports for Link Redundancy



For more information on trunking, see [“Ports and Trunking” on page 101](#).

Hot Links

For network topologies that require Spanning Tree to be turned off, Hot Links provides basic link redundancy with fast recovery.

Hot Links consists of up to 25 triggers. A trigger consists of a pair of layer 2 interfaces, each containing an individual port, trunk, or LACP adminkey. One interface is the Master, and the other is a Backup. While the Master interface is set to the active state and forwards traffic, the Backup interface is set to the standby state and blocks traffic until the Master interface fails. If the Master interface fails, the Backup interface is set to active and forwards traffic. Once the Master interface is restored, it transitions to the standby state and blocks traffic until the Backup interface fails.

You may select a physical port, static trunk, or an LACP adminkey as a Hot Link interface.

Forward Delay

The Forward Delay timer allows Hot Links to monitor the Master and Backup interfaces for link stability before selecting one interface to transition to the active state. Before the transition occurs, the interface must maintain a stable link for the duration of the Forward Delay interval.

For example, if you set the Forward delay timer to 10 seconds, the switch will select an interface to become active only if a link remained stable for the duration of the Forward Delay period. If the link is unstable, the Forward Delay period starts again.

Preemption

You can configure the Master interface to resume the active state whenever it becomes available. With Hot Links preemption enabled, the Master interface transitions to the active state immediately upon recovery. The Backup interface immediately transitions to the standby state. If Forward Delay is enabled, the transition occurs when an interface has maintained link stability for the duration of the Forward Delay period.

FDB Update

Use the FDB update option to notify other devices on the network about updates to the Forwarding Database (FDB). When you enable FDB update, the switch sends multicasts of addresses in the forwarding database (FDB) over the active interface, so that other devices on the network can learn the new path. The Hot Links FDB update option uses the station update rate to determine the rate at which to send FDB packets.

Configuration Guidelines

The following configuration guidelines apply to Hot links:

- Ports that are configured as Hot Link interfaces must have STP disabled.
- When Hot Links is turned on, MSTP, RSTP, and PVRST must be turned off.
- When Hot Links is turned on, UplinkFast must be disabled.
- A port that is a member of the Master interface cannot be a member of the Backup interface. A port that is a member of one Hot Links trigger cannot be a member of another Hot Links trigger.
- An individual port that is configured as a Hot Link interface cannot be a member of a trunk.

Configuring Hot Links

Use the following commands to configure Hot Links.

RS G8124(config)# hotlinks trigger 1 enable	<i>(Enable Hot Links Trigger 1)</i>
RS G8124(config)# hotlinks trigger 1 master port 1	<i>(Add port to Master interface)</i>
RS G8124(config)# hotlinks trigger 1 backup port 2	<i>(Add port to Backup interface)</i>
RS G8124(config)# hotlinks enable	<i>(Turn on Hot Links)</i>

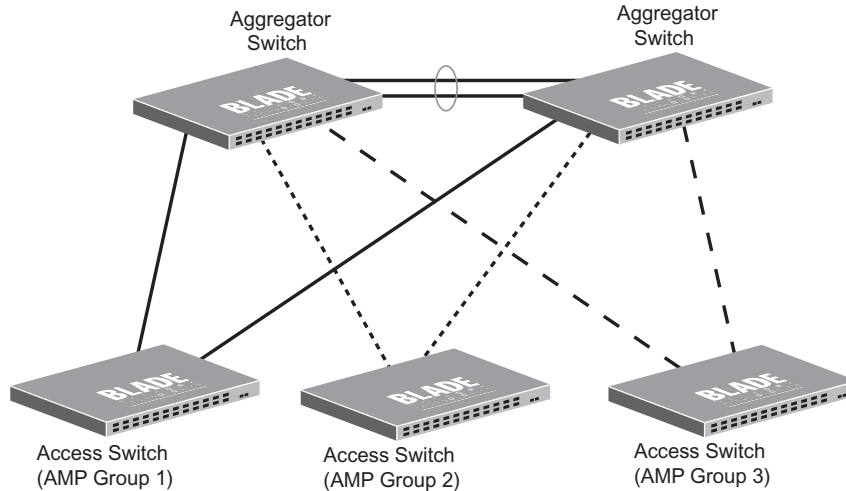
Active MultiPath Protocol

Active MultiPath Protocol (AMP) allows you to connect three switches in a loop topology, and load-balance traffic across all uplinks (no blocking). When an AMP link fails, upstream communication continues over the remaining AMP link. Once the failed AMP link re-establishes connectivity, communication resumes to its original flow pattern.

AMP is supported over Layer 2 only. Layer 3 routing is not supported. Spanning Tree is not required in an AMP Layer 2 domain. STP BPDUs will not be forwarded over the AMP links, and any BPDU packets received on AMP links are dropped.

Each AMP group contains two aggregator switches and one access switch. Aggregator switches support up to 22 AMP groups. Access switches support only one AMP group. Figure 40 shows a typical AMP topology, with two aggregators supporting a number of AMP groups.

Figure 40 AMP Topology



Each AMP group requires two links on each switch. Each AMP link consists of a single port, a static trunk group, or an LACP trunk group. Local non-AMP ports can communicate via local Layer 2 switching without passing traffic through the AMP links. No two switches in the AMP loop can have another active connection between them through a non-AMP switch.

Each AMP switch has a priority value (1-255). The switch with the lowest priority value has the highest precedence over the other switches. If there is a conflict between switch priorities, the switch with lowest MAC address has the highest precedence.

Note – For proper AMP operation, all access switches should be configured with a higher priority value (lower precedence) than the aggregators. Otherwise, some AMP control packets may be sent to access switches, even when their AMP groups are disabled.

When the AMP loop is broken, the STP port states are set to forwarding or blocking, depending on the switch priority and port/trunk precedence, as follows:

- An aggregator's port/trunk has higher precedence over an access switch's port/trunk.
- Static trunks have highest precedence, followed by LACP trunks, then physical ports.
- Between two static trunks, the trunk with the lower trunk ID has higher precedence.
- Between two LACP trunks, the trunk with the lower *admin key* has higher precedence.
- Between two ports, the port with the lowest port number has higher precedence.

Health Checks

An AMP keep-alive message is passed periodically from each switch to its neighbors in the AMP group. The keep-alive message is a BPDU-like packet that passes on an AMP link even when the link is blocked by Spanning Tree. The keep-alive message carries status information about AMP ports/trunks, and is used to verify that a physical loop exists.

An AMP link is considered healthy if the switch has received an AMP keep-alive message on that link. An AMP link is considered unhealthy if a number of consecutive AMP keep-alive messages have not been received recently on that link.

FDB Flush

When an AMP port/trunk is in the blocking state, FDB flush is performed on that port/trunk. Any time there is a change in the data path for an AMP group, the FDB entries associated with the ports in the AMP group are flushed. This ensures that communication is not blocked while obsolete FDB entries are aged out.

FDB flush is performed when an AMP link goes down, and when an AMP link comes up.

Configuration Guidelines

The following configuration guidelines apply to Active MultiPath Protocol:

- The G8124 can be used as an AMP access switch or AMP aggregator switch.
- Enable AMP on all switches in the AMP group before connecting the switch ports.
- Access switches should be configured with a higher priority value (lower precedence) than the aggregators. Otherwise, unexpected AMP keep-alive packets may be sent from one aggregator switches to another, even when its AMP group is disabled.
- Only one active connection (port or trunk) is allowed between switches in an AMP group.
- Spanning Tree must be disabled on AMP trunks/ports.
- Hot Links must be disabled on AMP trunk/ports.
- Private VLANs must be disabled before AMP is enabled.

- AMP ports cannot be used as monitoring ports in a port-mirroring configuration.
- Do not configure AMP ports as Layer 2 Failover control ports.
- For IGMP, IP-based multicast entries support only Layer 2 (MAC) based multicast forwarding for IGMP Snooping. IGMP snooping must be disabled before enabling AMP, to clear all the existing IP based multicast entries. IGMP Snooping may be re-enabled after AMP is enabled.
- Layer 3 routing protocols are not supported on AMP-configured switches.

Configuration Example

Configuring an Aggregator Switch

Perform the following steps to configure AMP on an aggregator switch:

1. Turn off Spanning Tree.

```
>> # spanning-tree mode disable
```

2. Define a trunk group for the aggregator-aggregator link (optional). You may use a single port-to-port link.

```
>> # portchannel 5 port 1
>> # portchannel 5 port 2
>> # portchannel 5 enable
```

3. Turn AMP on, and define the aggregator.

```
>> # active-multipath enable
>> # active-multipath switch-type aggregator
>> # active-multipath switch-priority 10
```

4. Configure the aggregator-aggregator link. Use the trunk group defined in step 2.

```
>> # active-multipath aggr-portchannel 5
```

5. Define the AMP group links, and enable the AMP group.

```
>> # active-multipath group 1 portchannel 5
>> # active-multipath group 1 port2 10
>> # active-multipath group 1 enable
```

Each AMP group has two links, one to each peer switch in the group. For an aggregator, one AMP group link connects to the other aggregator, and one to the access switch.

Configuring an Access Switch

Perform the following steps to configure AMP on an access switch:

1. Turn off Spanning Tree.

```
>> # spanning-tree mode disable
```

2. Turn AMP on.

```
>> # active-multipath enable
```

3. Define the AMP group links, and enable the AMP group.

```
>> # active-multipath group 1 port 3  
>> # active-multipath group 1 port2 4  
>> # active-multipath group 1 enable
```

Verifying AMP Operation

Display AMP group information to verify that the AMP loop is healthy.

```
>> # show active-multipath group 1 information  
  
Group 1: enabled, topology UP  
  Port 3: access  
          State : forwarding  
          Peer  : 00:22:00:ac:bd:00  
                aggregator, priority 10  
  Port 4: aggregator  
          State : forwarding  
          Peer  : 00:25:03:49:82:00  
                aggregator, priority 1
```

Verify that the AMP topology is UP, and that each link state is set to forwarding.

CHAPTER 23

Layer 2 Failover

The primary application for Layer 2 Failover is to support Network Adapter Teaming. With Network Adapter Teaming, all the NICs on each server share the same IP address, and are configured into a team. One NIC is the primary link, and the other is a standby link. For more details, refer to the documentation for your Ethernet adapter.

Note – Only two links per server can be used for Layer 2 Trunk Failover (one primary and one backup). Network Adapter Teaming allows only one backup NIC for each server blade.

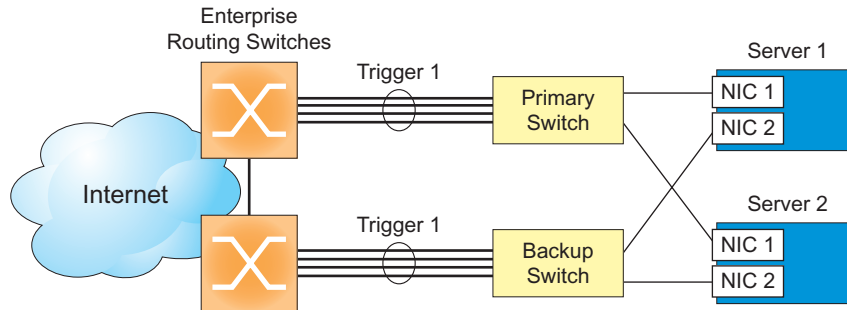
Monitoring Trunk Links

Layer 2 Failover can be enabled on any trunk group in the G8124, including LACP trunks. Trunks can be added to failover trigger groups. Then, if some specified number of monitor links fail, the switch disables all the control ports in the switch. When the control ports are disabled, it causes the NIC team on the affected servers to failover from the primary to the backup NIC. This process is called a failover event.

When the appropriate number of links in a monitor group return to service, the switch enables the control ports. This causes the NIC team on the affected servers to fail back to the primary switch (unless Auto-Fallback is disabled on the NIC team). The backup switch processes traffic until the primary switch's control links come up, which can take up to five seconds.

Figure 41 is a simple example of Layer 2 Failover. One G8124 is the primary, and the other is used as a backup. In this example, all ports on the primary switch belong to a single trunk group, with Layer 2 Failover enabled, and Failover Limit set to 2. If two or fewer links in trigger 1 remain active, the switch temporarily disables all control ports. This action causes a failover event on Server 1 and Server 2.

Figure 41 Basic Layer 2 Failover



Setting the Failover Limit

The failover limit lets you specify the minimum number of operational links required within each trigger before the trigger initiates a failover event. For example, if the limit is two, a failover event occurs when the number of operational links in the trigger is two or fewer. When you set the limit to zero, the switch triggers a failover event only when no links in the trigger are operational.

Manually Monitoring Port Links

The Manual Monitor allows you to configure a set of ports and/or trunks to monitor for link failures (a monitor list), and another set of ports and/or trunks to disable when the trigger limit is reached (a control list). When the switch detects a link failure on the monitor list, it automatically disables the items in control list. When server ports are disabled, the corresponding server's network adapter can detect the disabled link, and trigger a network-adapter failover to another port or trunk on the switch, or another switch.

The switch automatically enables the control list items when the monitor list items return to service.

Monitor Port State

A monitor port is considered operational as long as the following conditions are true:

- The port must be in the `Link Up` state.
- If STP is enabled, the port must be in the `Forwarding` state.
- If the port is part of an LACP trunk, the port must be in the `Aggregated` state.

If any of the above conditions is false, the monitor port is considered to have failed.

Control Port State

A control port is considered Operational if the monitor trigger is up. As long as the trigger is up, the port is considered operational from a teaming perspective, even if the port itself is actually in the `Down` state, `Blocking` state (if STP is enabled on the port), or `Not Aggregated` state (if part of an LACP trunk).

A control port is considered to have failed only if the monitor trigger is in the `Down` state.

To view the state of any port, use one of the following commands:

```

>> # show interface link (View port link status)
>> # show interface port <x> spanning-tree stp <x> (View port STP status)
>> # show lacp information (View port LACP status)
```

L2 Failover with Other Features

L2 Failover works together with Link Aggregation Control Protocol (LACP) and with Spanning Tree Protocol (STP), as described below.

LACP

Link Aggregation Control Protocol allows the switch to form dynamic trunks. You can use the *admin key* to add up to two LACP trunks to a failover trigger using automatic monitoring. When you add an *admin key* to a trigger, any LACP trunk with that *admin key* becomes a member of the trigger.

Spanning Tree Protocol

If Spanning Tree Protocol (STP) is enabled on the ports in a failover trigger, the switch monitors the port STP state rather than the link state. A port failure results when STP is not in a Forwarding state (such as Listening, Learning, Blocking, or No Link). The switch automatically disables the appropriate control ports.

When the switch determines that ports in the trigger are in STP Forwarding state, then it automatically enables the appropriate control ports. The switch *fails back* to normal operation.

Configuration Guidelines

This section provides important information about configuring Layer 2 Failover.

- Any specific failover trigger can monitor ports only, static trunks only, or LACP trunks only. The different types cannot be combined in the same trigger.
- A maximum of 24 LACP keys can be added per trigger.
- Port membership for different triggers should not overlap. Any specific port should be a member of only one trigger.

Configuring Layer 2 Failover

Use the following procedure to configure a Layer 2 Failover Manual Monitor.

1. Specify the links to monitor.

```
>> # failover trigger 1 mmon monitor member 1-5
```

2. Specify the links to disable when the failover limit is reached.

```
>> # failover trigger 1 mmon control member 6-10
```

3. Configure general Failover parameters.

```
>> # failover enable  
>> # failover trigger 1 enable  
>> # failover trigger 1 limit 2
```


CHAPTER 24

Virtual Router Redundancy Protocol

The BNT RackSwitch G8124 (G8124) supports IPv4 high-availability network topologies through an enhanced implementation of the Virtual Router Redundancy Protocol (VRRP).

Note – BLADEOS 6.5 does not support IPv6 for VRRP.

The following topics are discussed in this chapter:

- [“VRRP Overview” on page 332](#). This section discusses VRRP operation and BLADEOS redundancy configurations.
- [“Failover Methods” on page 334](#). This section describes the three modes of high availability.
- [“BLADEOS Extensions to VRRP” on page 336](#). This section describes VRRP enhancements implemented in BLADEOS.
- [“Virtual Router Deployment Considerations” on page 337](#). This section describes issues to consider when deploying virtual routers.
- [“High Availability Configurations” on page 338](#). This section discusses the more useful and easily deployed redundant configurations.

VRRP Overview

In a high-availability network topology, no device can create a single point-of-failure for the network or force a single point-of-failure to any other part of the network. This means that your network will remain in service despite the failure of any single device. To achieve this usually requires redundancy for all vital network components.

VRRP enables redundant router configurations within a LAN, providing alternate router paths for a host to eliminate single points-of-failure within a network. Each participating VRRP-capable routing device is configured with the same virtual router IPv4 address and ID number. One of the virtual routers is elected as the master, based on a number of priority criteria, and assumes control of the shared virtual router IPv4 address. If the master fails, one of the backup virtual routers will take control of the virtual router IPv4 address and actively process traffic addressed to it.

With VRRP, Virtual Interface Routers (VIR) allow two VRRP routers to share an IP interface across the routers. VIRs provide a single Destination IPv4 (DIP) address for upstream routers to reach various servers, and provide a virtual default Gateway for the servers.

VRRP Components

Each physical router running VRRP is known as a *VRRP router*.

Virtual Router

Two or more VRRP routers can be configured to form a *virtual router* (RFC 2338). Each VRRP router may participate in one or more virtual routers. Each virtual router consists of a user-configured *virtual router identifier* (VRID) and an IPv4 address.

Virtual Router MAC Address

The VRID is used to build the *virtual router MAC Address*. The five highest-order octets of the virtual router MAC Address are the standard MAC prefix (00-00-5E-00-01) defined in RFC 2338. The VRID is used to form the lowest-order octet.

Owners and Renters

Only one of the VRRP routers in a virtual router may be configured as the IPv4 address owner. This router has the virtual router's IPv4 address as its real interface address. This router responds to packets addressed to the virtual router's IPv4 address for ICMP pings, TCP connections, and so on.

There is no requirement for any VRRP router to be the IPv4 address owner. Most VRRP installations choose not to implement an IPv4 address owner. For the purposes of this chapter, VRRP routers that are not the IPv4 address owner are called *renters*.

Master and Backup Virtual Router

Within each virtual router, one VRRP router is selected to be the virtual router master. See [“Selecting the Master VRRP Router” on page 334](#) for an explanation of the selection process.

Note – If the IPv4 address owner is available, it will always become the virtual router master.

The virtual router master forwards packets sent to the virtual router. It also responds to Address Resolution Protocol (ARP) requests sent to the virtual router's IPv4 address. Finally, the virtual router master sends out periodic advertisements to let other VRRP routers know it is alive and its priority.

Within a virtual router, the VRRP routers not selected to be the master are known as virtual router backups. Should the virtual router master fail, one of the virtual router backups becomes the master and assumes its responsibilities.

Virtual Interface Router

At Layer 3, a Virtual Interface Router (VIR) allows two VRRP routers to share an IP interface across the routers. VIRs provide a single Destination IPv4 (DIP) address for upstream routers to reach various destination networks, and provide a virtual default Gateway.

Note – Every VIR must be assigned to an IP interface, and every IP interface must be assigned to a VLAN. If no port in a VLAN has link up, the IP interface of that VLAN is down, and if the IP interface of a VIR is down, that VIR goes into INIT state.

VRRP Operation

Only the virtual router master responds to ARP requests. Therefore, the upstream routers only forward packets destined to the master. The master also responds to ICMP ping requests. The backup does not forward any traffic, nor does it respond to ARP requests.

If the master is not available, the backup becomes the master and takes over responsibility for packet forwarding and responding to ARP requests.

Selecting the Master VRRP Router

Each VRRP router is configured with a priority between 1–254. A bidding process determines which VRRP router is or becomes the master—the VRRP router with the highest priority.

The master periodically sends advertisements to an IPv4 multicast address. As long as the backups receive these advertisements, they remain in the backup state. If a backup does not receive an advertisement for three advertisement intervals, it initiates a bidding process to determine which VRRP router has the highest priority and takes over as master.

If, at any time, a backup determines that it has higher priority than the current master does, it can preempt the master and become the master itself, unless configured not to do so. In preemption, the backup assumes the role of master and begins to send its own advertisements. The current master sees that the backup has higher priority and will stop functioning as the master.

A backup router can stop receiving advertisements for one of two reasons—the master can be down, or all communications links between the master and the backup can be down. If the master has failed, it is clearly desirable for the backup (or one of the backups, if there is more than one) to become the master.

Note – If the master is healthy but communication between the master and the backup has failed, there will then be two masters within the virtual router. To prevent this from happening, configure redundant links to be used between the switches that form a virtual router.

Failover Methods

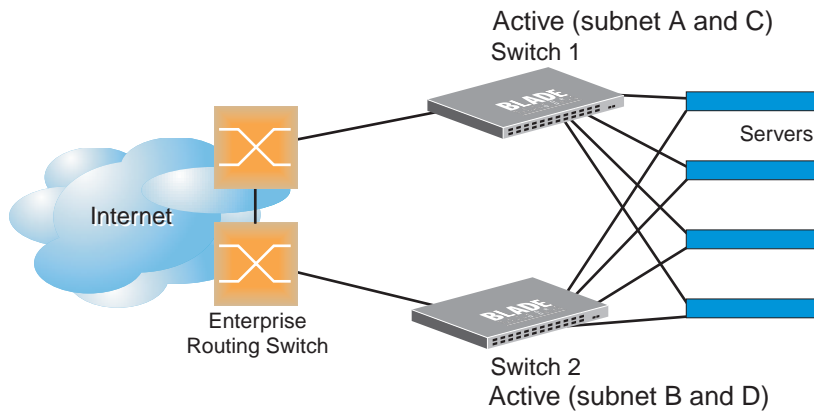
With service availability becoming a major concern on the Internet, service providers are increasingly deploying Internet traffic control devices, such as application switches, in redundant configurations. BLADEOS high availability configurations are based on VRRP. The BLADEOS implementation of VRRP includes proprietary extensions.

Active-Active Redundancy

In an active-active configuration, shown in [Figure 42](#), two switches provide redundancy for each other, with both active at the same time. Each switch processes traffic on a different subnet. When a failure occurs, the remaining switch can process traffic on all subnets.

For a configuration example, see [“High Availability Configurations”](#) on page 338.

Figure 42 Active-Active Redundancy



Virtual Router Group

The virtual router group ties all virtual routers on the switch together as a single entity. As members of a group, all virtual routers on the switch (and therefore the switch itself), are in either a master or standby state.

A VRRP group has the following characteristics:

- When enabled, all virtual routers behave as one entity, and all group settings override any individual virtual router settings.
- All individual virtual routers, once the VRRP group is enabled, assume the group's tracking and priority.
- When one member of a VRRP group fails, the priority of the group decreases, and the state of the entire switch changes from Master to Standby.

Each VRRP advertisement can include up to 16 addresses. All virtual routers are advertised within the same packet, conserving processing and buffering resources.

BLADEOS Extensions to VRRP

This section describes VRRP enhancements that are implemented in BLADEOS.

BLADEOS supports a tracking function that dynamically modifies the priority of a VRRP router, based on its current state. The objective of tracking is to have, whenever possible, the master bidding processes for various virtual routers in a LAN converge on the same switch. Tracking ensures that the selected switch is the one that offers optimal network performance. For tracking to have any effect on virtual router operation, preemption must be enabled.

BLADEOS can track the attributes listed in [Table 23](#) (Router VRRP mode):

Table 23 VRRP Tracking Parameters

Parameter	Description
Number of IP interfaces on the switch that are active (“up”) <code>tracking-priority-increment interfaces</code>	Helps elect the virtual routers with the most available routes as the master. (An IP interface is considered active when there is at least one active port on the same VLAN.) This parameter influences the VRRP router's priority in virtual interface routers.
Number of active ports on the same VLAN <code>tracking-priority-increment ports</code>	Helps elect the virtual routers with the most available ports as the master. This parameter influences the VRRP router's priority in virtual interface routers.
Number of virtual routers in master mode on the switch <code>tracking-priority-increment virtual-routers</code>	Useful for ensuring that traffic for any particular client/server pair is handled by the same switch, increasing routing efficiency. This parameter influences the VRRP router's priority in virtual interface routers.

Each tracked parameter has a user-configurable weight associated with it. As the count associated with each tracked item increases (or decreases), so does the VRRP router's priority, subject to the weighting associated with each tracked item. If the priority level of a standby is greater than that of the current master, then the standby can assume the role of the master.

See [“Configuring the Switch for Tracking” on page 337](#) for an example on how to configure the switch for tracking VRRP priority.

Virtual Router Deployment Considerations

Assigning VRRP Virtual Router ID

During the software upgrade process, VRRP virtual router IDs will be automatically assigned if failover is enabled on the switch. When configuring virtual routers at any point after upgrade, virtual router ID numbers must be assigned. The virtual router ID may be configured as any number between 1 and 255. Use the following command to configure the virtual router ID:

```
RS G8124(config)# router vrrp  
RS G8124(config-vrrp)# virtual-router 1 virtual-router-id <1-255>
```

Configuring the Switch for Tracking

Tracking configuration largely depends on user preferences and network environment. Consider the configuration shown in [Figure 42 on page 335](#). Assume the following behavior on the network:

- Switch 1 is the master router upon initialization.
- If switch 1 is the master and it has one fewer active servers than switch 2, then switch 1 remains the master.

This behavior is preferred because running one server down is less disruptive than bringing a new master online and severing all active connections in the process.
- If switch 1 is the master and it has two or more active servers fewer than switch 2, then switch 2 becomes the master.
- If switch 2 is the master, it remains the master even if servers are restored on switch 1 such that it has one fewer or an equal number of servers.
- If switch 2 is the master and it has one active server fewer than switch 1, then switch 1 becomes the master.

The user can implement this behavior by configuring the switch for tracking as follows:

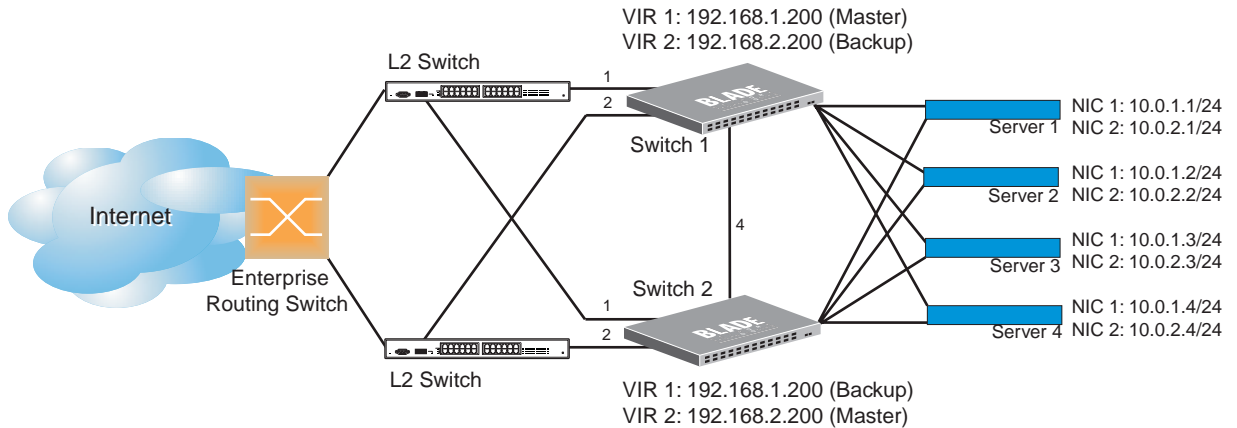
1. Set the priority for switch 1 to 101.
2. Leave the priority for switch 2 at the default value of 100.
3. On both switches, enable tracking based on ports, interfaces, or virtual routers. You can choose any combination of tracking parameters, based on your network configuration.

Note – There is no shortcut to setting tracking parameters. The goals must first be set and the outcomes of various configurations and scenarios analyzed to find settings that meet the goals.

High Availability Configurations

Figure 43 shows an example configuration where two G8124s are used as VRRP routers in an active-active configuration. In this configuration, both switches respond to packets.

Figure 43 Active-Active High-Availability Configuration



Although this example shows only two switches, there is no limit on the number of switches used in a redundant configuration. It is possible to implement an active-active configuration across all the VRRP-capable switches in a LAN.

Each VRRP-capable switch in an active-active configuration is autonomous. Switches in a virtual router need not be identically configured.

In the scenario illustrated in Figure 43, traffic destined for IPv4 address 10.0.1.1 is forwarded through the Layer 2 switch at the top of the drawing, and ingresses G8124 1 on port 1. Return traffic uses default gateway 1 (192.168.1.1).

If the link between G8124 1 and the Layer 2 switch fails, G8124 2 becomes the Master because it has a higher priority. Traffic is forwarded to G8124 2, which forwards it to G8124 1 through port 4. Return traffic uses default gateway 2 (192.168.2.1), and is forwarded through the Layer 2 switch at the bottom of the drawing.

To implement the active-active example, perform the following switch configuration.

Task 1: Configure G8124 1

1. Configure client and server interfaces.

```

RS G8124(config)# interface ip 1
RS G8124(config-ip-if)# ip address 192.168.1.100 255.255.255.0
RS G8124(config-ip-if)# vlan 10
RS G8124(config-ip-if)# enable
RS G8124(config-ip-if)# exit
RS G8124(config)# interface ip 2
RS G8124(config-ip-if)# ip address 192.168.2.101 255.255.255.0
RS G8124(config-ip-if)# vlan 20
RS G8124(config-ip-if)# enable
RS G8124(config-ip-if)# exit
RS G8124(config)# interface ip 3
RS G8124(config-ip-if)# ip address 10.0.1.100 255.255.255.0
RS G8124(config-ip-if)# enable
RS G8124(config-ip-if)# exit
RS G8124(config)# interface ip 4
RS G8124(config-ip-if)# ip address 10.0.2.101 255.255.255.0
RS G8124(config-ip-if)# enable
RS G8124(config-ip-if)# exit

```

2. Configure the default gateways. Each default gateway points to a Layer 3 router.

```

RS G8124(config)# ip gateway 1 address 192.168.1.1
RS G8124(config)# ip gateway 1 enable
RS G8124(config)# ip gateway 2 address 192.168.2.1
RS G8124(config)# ip gateway 2 enable

```

3. Turn on VRRP and configure two Virtual Interface Routers.

```

RS G8124(config)# router vrrp
RS G8124(config-vrrp)# enable
RS G8124(config-vrrp)# virtual-router 1 virtual-router-id 1
RS G8124(config-vrrp)# virtual-router 1 interface 1
RS G8124(config-vrrp)# virtual-router 1 address 192.168.1.200
RS G8124(config-vrrp)# virtual-router 1 enable
RS G8124(config-vrrp)# virtual-router 2 virtual-router-id 2
RS G8124(config-vrrp)# virtual-router 2 interface 2
RS G8124(config-vrrp)# virtual-router 2 address 192.168.2.200
RS G8124(config-vrrp)# virtual-router 2 enable

```

4. Enable tracking on ports. Set the priority of Virtual Router 1 to 101, so that it becomes the Master.

```
RS G8124(config-vrrp)# virtual-router 1 track ports  
RS G8124(config-vrrp)# virtual-router 1 priority 101  
RS G8124(config-vrrp)# virtual-router 2 track ports  
RS G8124(config-vrrp)# exit
```

5. Configure ports.

```
RS G8124(config)# vlan 10  
RS G8124(config-vlan)# enable  
RS G8124(config-vlan)# member 1  
RS G8124(config-vlan)# exit  
RS G8124(config)# vlan 20  
RS G8124(config-vlan)# enable  
RS G8124(config-vlan)# member 2  
RS G8124(config-vlan)# exit
```

6. Turn off Spanning Tree Protocol globally.

```
RS G8124(config)# no spanning-tree stp 1
```

Task 2: Configure G8124 2

1. Configure client and server interfaces.

```

RS G8124(config)# interface ip 1
RS G8124(config-ip-if)# ip address 192.168.1.101 255.255.255.0
RS G8124(config-ip-if)# vlan 10
RS G8124(config-ip-if)# enable
RS G8124(config-ip-if)# exit
RS G8124(config)# interface ip 2
RS G8124(config-ip-if)# ip address 192.168.2.100 255.255.255.0
RS G8124(config-ip-if)# vlan 20
RS G8124(config-ip-if)# enable
RS G8124(config-ip-if)# exit
RS G8124(config)# interface ip 3
RS G8124(config-ip-if)# ip address 10.0.1.101 255.255.255.0
RS G8124(config-ip-if)# enable
RS G8124(config-ip-if)# exit
RS G8124(config)# interface ip 4
RS G8124(config-ip-if)# ip address 10.0.2.100 255.255.255.0
RS G8124(config-ip-if)# enable
RS G8124(config-ip-if)# exit

```

2. Configure the default gateways. Each default gateway points to a Layer 3 router.

```

RS G8124(config)# ip gateway 1 address 192.168.2.1
RS G8124(config)# ip gateway 1 enable
RS G8124(config)# ip gateway 2 address 192.168.1.1
RS G8124(config)# ip gateway 2 enable

```

3. Turn on VRRP and configure two Virtual Interface Routers.

```

RS G8124(config)# router vrrp
RS G8124(config-vrrp)# enable
RS G8124(config-vrrp)# virtual-router 1 virtual-router-id 1
RS G8124(config-vrrp)# virtual-router 1 interface 1
RS G8124(config-vrrp)# virtual-router 1 address 192.168.1.200
RS G8124(config-vrrp)# virtual-router 1 enable
RS G8124(config-vrrp)# virtual-router 2 virtual-router-id 2
RS G8124(config-vrrp)# virtual-router 2 interface 2
RS G8124(config-vrrp)# virtual-router 2 address 192.168.2.200
RS G8124(config-vrrp)# virtual-router 2 enable

```

4. Enable tracking on ports. Set the priority of Virtual Router 2 to 101, so that it becomes the Master.

```
RS G8124(config-vrrp)# virtual-router 1 track ports  
RS G8124(config-vrrp)# virtual-router 2 track ports  
RS G8124(config-vrrp)# virtual-router 2 priority 101  
RS G8124(config-vrrp)# exit
```

5. Configure ports.

```
RS G8124(config)# vlan 10  
RS G8124(config-vlan)# enable  
RS G8124(config-vlan)# member 1  
RS G8124(config-vlan)# exit  
RS G8124(config)# vlan 20  
RS G8124(config-vlan)# enable  
RS G8124(config-vlan)# member 2  
RS G8124(config-vlan)# exit
```

6. Turn off Spanning Tree Protocol globally.

```
RS G8124(config)# no spanning-tree stp 1
```

Part 7: Network Management

CHAPTER 25

Link Layer Discovery Protocol

The BLADEOS software support Link Layer Discovery Protocol (LLDP). This chapter discusses the use and configuration of LLDP on the switch:

- [“LLDP Overview” on page 345](#)
- [“Enabling or Disabling LLDP” on page 346](#)
- [“LLDP Transmit Features” on page 347](#)
- [“LLDP Receive Features” on page 351](#)
- [“LLDP Example Configuration” on page 353](#)

LLDP Overview

Link Layer Discovery Protocol (LLDP) is an IEEE 802.1AB-2005 standard for discovering and managing network devices. LLDP uses Layer 2 (the data link layer), and allows network management applications to extend their awareness of the network by discovering devices that are direct neighbors of already known devices.

With LLDP, the G8124 can advertise the presence of its ports, their major capabilities, and their current status to other LLDP stations in the same LAN. LLDP transmissions occur on ports at regular intervals or whenever there is a relevant change to their status. The switch can also receive LLDP information advertised from adjacent LLDP-capable network devices.

In addition to discovery of network resources, and notification of network changes, LLDP can help administrators quickly recognize a variety of common network configuration problems, such as unintended VLAN exclusions or mis-matched port aggregation membership.

The LLDP transmit function and receive function can be independently configured on a per-port basis. The administrator can allow any given port to transmit only, receive only, or both transmit and receive LLDP information.

The LLDP information to be distributed by the G8124 ports, and that which has been collected from other LLDP stations, is stored in the switch's Management Information Base (MIB). Network Management Systems (NMS) can use Simple Network Management Protocol (SNMP) to access this MIB information. LLDP-related MIB information is read-only.

Changes, either to the local switch LLDP information or to the remotely received LLDP information, are flagged within the MIB for convenient tracking by SNMP-based management systems.

For LLDP to provide expected benefits, all network devices that support LLDP should be consistent in their LLDP configuration.

Enabling or Disabling LLDP

Global LLDP Setting

By default, LLDP is disabled on the G8124. To turn LLDP on or off, use the following command:

```
RS G8124(config)# [no] lldp enable (Turn LLDP on or off globally)
```

Transmit and Receive Control

The G8124 can also be configured to transmit or receive LLDP information on a port-by-port basis. By default, when LLDP is globally enabled on the switch, G8124 ports transmit and receive LLDP information (see the `tx_rx` option below). To change the LLDP transmit and receive state, the following commands are available:

```
RS G8124(config)# interface port 1 (Select a switch port)
RS G8124(config-if)# lldp admin-status tx_rx (Transmit and receive LLDP)
RS G8124(config-if)# lldp admin-status tx_only (Only transmit LLDP)
RS G8124(config-if)# lldp admin-status rx_only (Only receive LLDP)
RS G8124(config-if)# no lldp admin-status (Do not participate in LLDP)
RS G8124(config-if)# exit (Exit port mode)
```

To view the LLDP transmit and receive status, use the following commands:

```
RS G8124(config)# show lldp port (status of all ports)
RS G8124(config)# show interface port <n> lldp (status of selected port)
```

LLDP Transmit Features

Numerous LLDP transmit options are available, including scheduled and minimum transmit interval, expiration on remote systems, SNMP trap notification, and the types of information permitted to be shared.

Scheduled Interval

The G8124 can be configured to transmit LLDP information to neighboring devices once each 5 to 32768 seconds. The scheduled interval is global; the same interval value applies to all LLDP transmit-enabled ports. However, to help balance LLDP transmissions and keep them from being sent simultaneously on all ports, each port maintains its own interval clock, based on its own initialization or reset time. This allows switch-wide LLDP transmissions to be spread out over time, though individual ports comply with the configured interval.

The global transmit interval can be configured using the following command:

```
RS G8124(config)# lldp refresh-interval <interval>
```

where *interval* is the number of seconds between LLDP transmissions. The range is 5 to 32768. The default is 30 seconds.

Minimum Interval

In addition to sending LLDP information at scheduled intervals, LLDP information is also sent when the G8124 detects relevant changes to its configuration or status (such as when ports are enabled or disabled). To prevent the G8124 from sending multiple LLDP packets in rapid succession when port status is in flux, a transmit delay timer can be configured.

The transmit delay timer represents the minimum time permitted between successive LLDP transmissions on a port. Any interval-driven or change-driven updates will be consolidated until the configured transmit delay expires.

The minimum transmit interval can be configured using the following command:

```
RS G8124(config)# lldp transmission-delay <interval>
```

where *interval* is the minimum number of seconds permitted between successive LLDP transmissions on any port. The range is 1 to one-quarter of the scheduled transmit interval (`lldp refresh-interval <value>`), up to 8192. The default is 2 seconds.

Time-to-Live for Transmitted Information

The transmitted LLDP information is held by remote systems for a limited time. A time-to-live parameter allows the switch to determine how long the transmitted data should be held before it expires. The hold time is configured as a multiple of the configured transmission interval.

```
RS G8124(config)# lldp holdtime-multiplier <multiplier>
```

where *multiplier* is a value between 2 and 10. The default value is 4, meaning that remote systems will hold the port's LLDP information for 4 x the 30-second `msgtxint` value, or 120 seconds, before removing it from their MIB.

Trap Notifications

If SNMP is enabled on the G8124 (see [“Using Simple Network Management Protocol” on page 35](#)), each port can be configured to send SNMP trap notifications whenever LLDP transmissions are sent. By default, trap notification is disabled for each port. The trap notification state can be changed using the following commands (Interface Port mode):

```
RS G8124(config)# interface port 1
RS G8124(config-if)# [no] lldp trap-notification
RS G8124(config-if)# exit
```

In addition to sending LLDP information at scheduled intervals, LLDP information is also sent when the G8124 detects relevant changes to its configuration or status (such as when ports are enabled or disabled). To prevent the G8124 from sending multiple trap notifications in rapid succession when port status is in flux, a global trap delay timer can be configured.

The trap delay timer represents the minimum time permitted between successive trap notifications on any port. Any interval-driven or change-driven trap notices from the port will be consolidated until the configured trap delay expires.

The minimum trap notification interval can be configured using the following command:

```
RS G8124(config)# lldp trap-notification-interval <interval>
```

where *interval* is the minimum number of seconds permitted between successive LLDP transmissions on any port. The range is 1 to 3600. The default is 5 seconds.

If SNMP trap notification is enabled, the notification messages can also appear in the system log. This is enabled by default. To change whether the SNMP trap notifications for LLDP events appear in the system log, use the following command:

```
RS G8124(config)# [no] logging log lldp
```

Changing the LLDP Transmit State

When the port is disabled, or when LLDP transmit is turned off for the port using the LLDP admin-status command options (see [“Transmit and Receive Control” on page 346](#)), a final LLDP packet is transmitted with a time-to-live value of 0. Neighbors that receive this packet will remove the LLDP information associated with the G8124 port from their MIB.

In addition, if LLDP is fully disabled on a port and then later re-enabled, the G8124 will temporarily delay resuming LLDP transmissions on the port in order to allow the port LLDP information to stabilize. The reinitialization delay interval can be globally configured for all ports using the following command:

```
RS G8124(config)# lldp reinit-delay <interval>
```

where *interval* is the number of seconds to wait before resuming LLDP transmissions. The range is between 1 and 10. The default is 2 seconds.

Types of Information Transmitted

When LLDP transmission is permitted on the port (see [“Enabling or Disabling LLDP” on page 346](#)), the port advertises the following required information in type/length/value (TLV) format:

- Chassis ID
- Port ID
- LLDP Time-to-Live

LLDP transmissions can also be configured to enable or disable inclusion of optional information, using the following command (Interface Port mode):

```
RS G8124(config)# interface port 1
RS G8124(config-if)# [no] lldp tlv <type>
RS G8124(config-if)# exit
```

where *type* is an LLDP information option from [Table 24](#):

Table 24 LLDP Optional Information Types

Type	Description
portdesc	Port Description
sysname	System Name
sysdescr	System Description
syscap	System Capabilities
mgmtaddr	Management Address
portvid	IEEE 802.1 Port VLAN ID
portprot	IEEE 802.1 Port and Protocol VLAN ID
vlanname	IEEE 802.1 VLAN Name
protid	IEEE 802.1 Protocol Identity
macphy	IEEE 802.3 MAC/PHY Configuration/Status, including the auto-negotiation, duplex, and speed status of the port.
powermdi	IEEE 802.3 Power via MDI, indicating the capabilities and status of devices that require or provide power over twisted-pair copper links.
linkaggr	IEEE 802.3 Link Aggregation status for the port.
framesz	IEEE 802.3 Maximum Frame Size for the port.
dcbx	Data Center Bridging Capability Exchange Protocol (DCBX) for the port.
all	Select all optional LLDP information for inclusion or exclusion.

By default, all optional LLDP information types are included in LLDP transmissions.

LLDP Receive Features

Types of Information Received

When the LLDP receive option is enabled on a port (see [“Enabling or Disabling LLDP” on page 346](#)), the port may receive the following information from LLDP-capable remote systems:

- Chassis Information
- Port Information
- LLDP Time-to-Live
- Port Description
- System Name
- System Description
- System Capabilities Supported/Enabled
- Remote Management Address

The G8124 stores the collected LLDP information in the MIB. Each remote LLDP-capable device is responsible for transmitting regular LLDP updates. If the received updates contain LLDP information changes (to port state, configuration, LLDP MIB structures, deletion), the switch will set a change flag within the MIB for convenient notification to SNMP-based management systems.

Viewing Remote Device Information

LLDP information collected from neighboring systems can be viewed in numerous ways:

- Using a centrally-connected LLDP analysis server
- Using an SNMP agent to examine the G8124 MIB
- Using the G8124 Browser-Based Interface (BBI)
- Using CLI or isCLI commands on the G8124

Using the CLI the following command displays remote LLDP information:

```
RS G8124(config)# show lldp remote-device [<index number>]
```

To view a summary of remote information, omit the *Index number* parameter. For example:

```
RS G8124(config)# show lldp remote-device
LLDP Remote Devices Information
```

LocalPort	Index	Remote Chassis ID	Remote Port	Remote System Name
3	1	00 18 b1 33 1d 00	23	

To view detailed information for a remote device, specify the *Index number* as found in the summary. For example, in keeping with the sample summary, to list details for the first remote device (with an Index value of 1), use the following command:

```

RS G8124(config)# show lldp remote-device 1
Local Port Alias: 3
    Remote Device Index      : 1
    Remote Device TTL        : 99
    Remote Device RxChanges  : false
    Chassis Type              : Mac Address
    Chassis Id                : 00-18-b1-33-1d-00
    Port Type                  : Locally Assigned
    Port Id                   : 23
    Port Description          : 7

    System Name               :
    System Description        : BNT 1/10Gb Uplink Ethernet Switch Module,
                                flash image: version 5.1.0,
                                boot image: version 5.1.0.12

    System Capabilities Supported : bridge, router
    System Capabilities Enabled   : bridge, router

    Remote Management Address:
        Subtype                 : IPv4
        Address                  : 10.100.120.181
        Interface Subtype        : ifIndex
        Interface Number         : 128
        Object Identifier        :

```

Note – Received LLDP information can change very quickly. When using show commands, it is possible that flags for some expected events may be too short-lived to be observed in the output.

Time-to-Live for Received Information

Each remote device LLDP packet includes an expiration time. If the switch port does not receive an LLDP update from the remote device before the time-to-live clock expires, the switch will consider the remote information to be invalid, and will remove all associated information from the MIB.

Remote devices can also intentionally set their LLDP time-to-live to 0, indicating to the switch that the LLDP information is invalid and should be immediately removed.

LLDP Example Configuration

1. Turn LLDP on globally.

```
RS G8124(config)# lldp enable
```

2. Set the global LLDP timer features.

```
RS G8124(config)# lldp transmission-delay 30           (Transmit each 30 seconds)
RS G8124(config)# lldp transmission-delay 2           (No more often than 2 sec.)
RS G8124(config)# lldp holdtime-multiplier 4          (Remote hold 4 intervals)
RS G8124(config)# lldp reinit-delay 2                 (Wait 2 sec. after reinit.)
RS G8124(config)# lldp trap-notification-interval 5   (Minimum 5 sec. between)
```

3. Set LLDP options for each port.

```
RS G8124(config)# interface port <n>                 (Select a switch port)
RS G8124(config-if)# lldp admin-status tx_rx         (Transmit and receive LLDP)
RS G8124(config-if)# lldp trap-notification          (Enable SNMP trap notifications)
RS G8124(config-if)# lldp tlv all                   (Transmit all optional information)
RS G8124(config-if)# exit
```

4. Enable syslog reporting.

```
RS G8124(config)# logging log lldp
```

5. Verify the configuration settings:

```
RS G8124(config)# show lldp
```

6. View remote device information as needed.

```
RS G8124(config)# show lldp remote-device
    or
RS G8124(config)# show lldp remote-device <index number>
```


CHAPTER 26

Simple Network Management Protocol

BLADEOS provides Simple Network Management Protocol (SNMP) version 1, version 2, and version 3 support for access through any network management software, such as IBM Director or HP-OpenView.

Note – SNMP read and write functions are enabled by default. For best security practices, if SNMP is not needed for your network, it is recommended that you disable these functions prior to connecting the switch to the network.

SNMP Version 1

To access the SNMP agent on the G8124, the read and write community strings on the SNMP manager should be configured to match those on the switch. The default read community string on the switch is `public` and the default write community string is `private`.

The read and write community strings on the switch can be changed using the following commands on the CLI:

```
RS G8124(config)# snmp-server read-community <1-32 characters>
-and-
RS G8124(config)# snmp-server write-community <1-32 characters>
```

The SNMP manager should be able to reach the management interface or any one of the IP interfaces on the switch.

For the SNMP manager to receive the SNMPv1 traps sent out by the SNMP agent on the switch, configure the trap host on the switch with the following command:

```
RS G8124(config)# snmp-server trap-src-if <trap source IP interface>
RS G8124(config)# snmp-server host <IPv4 address> <trap host community string>
```

SNMP Version 3

SNMP version 3 (SNMPv3) is an enhanced version of the Simple Network Management Protocol, approved by the Internet Engineering Steering Group in March, 2002. SNMPv3 contains additional security and authentication features that provide data origin authentication, data integrity checks, timeliness indicators and encryption to protect against threats such as masquerade, modification of information, message stream modification and disclosure.

SNMPv3 allows clients to query the MIBs securely.

SNMPv3 configuration is managed using the following command path menu:

```
RS G8124(config)# snmp-server ?
```

For more information on SNMP MIBs and the commands used to configure SNMP on the switch, see the *BLADEOS 6.5 Command Reference*.

Default Configuration

BLADEOS has two SNMPv3 users by default. Both of the following users have access to all the MIBs supported by the switch:

- User 1 name is adminmd5 (password adminmd5). Authentication used is MD5.
- User 2 name is adminsha (password adminsha). Authentication used is SHA.

Up to 16 SNMP users can be configured on the switch. To modify an SNMP user, enter the following commands:

```
RS G8124(config)# snmp-server user <1-16> name <1-32 characters>
```

Users can be configured to use the authentication/privacy options. The G8124 support two authentication algorithms: MD5 and SHA, as specified in the following command:

```
RS G8124(config)# snmp-server user <1-16> authentication-protocol  

{md5|sha} authentication-password  

  -or-  

  RS G8124(config)# snmp-server user <1-16> authentication-protocol none
```

User Configuration Example

1. To configure a user with name “admin,” authentication type MD5, and authentication password of “admin,” privacy option DES with privacy password of “admin,” use the following CLI commands.

```

RS G8124(config)# snmp-server user 5 name admin
RS G8124(config)# snmp-server user 5 authentication-protocol md5
authentication-password
Changing authentication password; validation required:
Enter current admin password:          <admin.password>
Enter new authentication password:     <auth.password>
Re-enter new authentication password:  <auth.password>
New authentication password accepted.

RS G8124(config)# snmp-server user 5 privacy-protocol des
privacy-password
Changing privacy password; validation required:
Enter current admin password:          <admin.password>
Enter new privacy password:            <privacy.password>
Re-enter new privacy password:         <privacy.password>
New privacy password accepted.

```

2. Configure a user access group, along with the views the group may access. Use the access table to configure the group’s access level.

```

RS G8124(config)# snmp-server access 5 name admingrp
RS G8124(config)# snmp-server access 5 level authpriv
RS G8124(config)# snmp-server access 5 read-view iso
RS G8124(config)# snmp-server access 5 write-view iso
RS G8124(config)# snmp-server access 5 notify-view iso

```

Because the read view, write view, and notify view are all set to “iso,” the user type has access to all private and public MIBs.

3. Assign the user to the user group. Use the group table to link the user to a particular access group.

```

RS G8124(config)# snmp-server group 5 user-name admin
RS G8124(config)# snmp-server group 5 group-name admingrp

```

Configuring SNMP Trap Hosts

SNMPv1 Trap Host

1. Configure a user with no authentication and password.

```
>> # /cfg/sys/ssnmp/snmpv3/usm 10/name "vltrap"
```

2. Configure an access group and group table entries for the user. Use the following menu to specify which traps can be received by the user:

```
>> # /cfg/sys/ssnmp/snmpv3/access <user number>
```

In the example below the user will receive the traps sent by the switch.

```
/c/sys/ssnmp/snmpv3/access 10           (Access group to view SNMPv1 traps)
  name "vltrap"
  model snmpv1
  nview "iso"
/c/sys/ssnmp/snmpv3/group 10           (Assign user to the access group)
  model snmpv1
  uname vltrap
  gname vltrap
```

3. Configure an entry in the notify table.

```
RS G8124(config)# snmp-server notify 10 name vltrap
RS G8124(config)# snmp-server notify 10 tag vltrap
```

4. Specify the IPv4 address and other trap parameters in the `targetAddr` and `targetParam` tables. Use the following commands to specify the user name associated with the `targetParam` table:

```
RS G8124(config)# snmp-server target-address 10 name vltrap address
  10.70.70.190
RS G8124(config)# snmp-server target-address 10 parameters-name vlparam
RS G8124(config)# snmp-server target-address 10 taglist vlparam
RS G8124(config)# snmp-server target-parameters 10 name vlparam
RS G8124(config)# snmp-server target-parameters 10 user-name vlonly
RS G8124(config)# snmp-server target-parameters 10 message snmpv1
```

Note – BLADEOS 6.5 supports only IPv4 addresses for SNMP trap hosts.

5. Use the community table to specify which community string is used in the trap.

```

/c/sys/ssnmp/snmpv3/comm 10                (Define the community string)
    index v1trap
    name public
    uname v1trap

```

SNMPv2 Trap Host Configuration

The SNMPv2 trap host configuration is similar to the SNMPv1 trap host configuration. Wherever you specify the model, use `snmpv2` instead of `snmpv1`.

```

RS G8124(config)# snmp-server user 10 name v2trap

RS G8124(config)# snmp-server group 10 security snmpv2
RS G8124(config)# snmp-server group 10 user-name v2trap
RS G8124(config)# snmp-server group 10 group-name v2trap
RS G8124(config)# snmp-server access 10 name v2trap
RS G8124(config)# snmp-server access 10 security snmpv2
RS G8124(config)# snmp-server access 10 notify-view iso

RS G8124(config)# snmp-server notify 10 name v2trap
RS G8124(config)# snmp-server notify 10 tag v2trap

RS G8124(config)# snmp-server target-address 10 name v2trap
    address 100.10.2.1
RS G8124(config)# snmp-server target-address 10 taglist v2trap
RS G8124(config)# snmp-server target-address 10 parameters-name
    v2param
RS G8124(config)# snmp-server target-parameters 10 name v2param
RS G8124(config)# snmp-server target-parameters 10 message snmpv2c
RS G8124(config)# snmp-server target-parameters 10 user-name v2trap
RS G8124(config)# snmp-server target-parameters 10 security snmpv2

RS G8124(config)# snmp-server community 10 index v2trap
RS G8124(config)# snmp-server community 10 user-name v2trap

```

Note – BLADEOS 6.5 supports only IPv4 addresses for SNMP trap hosts.

SNMPv3 Trap Host Configuration

To configure a user for SNMPv3 traps, you can choose to send the traps with both privacy and authentication, with authentication only, or without privacy or authentication.

This is configured in the access table using the following commands:

```
RS G8124(config)# snmp-server access <1-32> level
RS G8124(config)# snmp-server target-parameters <1-16>
```

Configure the user in the user table accordingly.

It is not necessary to configure the community table for SNMPv3 traps because the community string is not used by SNMPv3.

The following example shows how to configure a SNMPv3 user `v3trap` with authentication only:

```
RS G8124(config)# snmp-server user 11 name v3trap
RS G8124(config)# snmp-server user 11 authentication-protocol md5
authentication-password
Changing authentication password; validation required:
Enter current admin password: <admin. password>
Enter new authentication password: <auth. password>
Re-enter new authentication password: <auth. password>
New authentication password accepted.
RS G8124(config)# snmp-server access 11 notify-view iso
RS G8124(config)# snmp-server access 11 level authnopriv
RS G8124(config)# snmp-server group 11 user-name v3trap
RS G8124(config)# snmp-server group 11 tag v3trap
RS G8124(config)# snmp-server notify 11 name v3trap
RS G8124(config)# snmp-server notify 11 tag v3trap
RS G8124(config)# snmp-server target-address 11 name v3trap address
47.81.25.66
RS G8124(config)# snmp-server target-address 11 taglist v3trap
RS G8124(config)# snmp-server target-address 11 parameters-name v3param
RS G8124(config)# snmp-server target-parameters 11 name v3param
RS G8124(config)# snmp-server target-parameters 11 user-name v3trap
RS G8124(config)# snmp-server target-parameters 11 level authNoPriv
```

Note – BLADEOS 6.5 supports only IPv4 addresses for SNMP trap hosts.

SNMP MIBs

The BLADEOS SNMP agent supports SNMP version 3. Security is provided through SNMP community strings. The default community strings are “public” for SNMP GET operation and “private” for SNMP SET operation. The community string can be modified only through the Command Line Interface (CLI). Detailed SNMP MIBs and trap definitions of the BLADEOS SNMP agent are contained in the following BLADEOS enterprise MIB document:

GbTOR-10G-L2L3.mib

The BLADEOS SNMP agent supports the following standard MIBs:

- dot1x.mib
- ieee8021ab.mib
- ieee8023ad.mib
- lldpxdcbx.mib
- rfc1213.mib
- rfc1215.mib
- rfc1493.mib
- rfc1573.mib
- rfc1643.mib
- rfc1657.mib
- rfc1757.mib
- rfc1850.mib
- rfc1907.mib
- rfc2037.mib
- rfc2233.mib
- rfc2465.mib
- rfc2571.mib
- rfc2572.mib
- rfc2573.mib
- rfc2574.mib
- rfc2575.mib
- rfc2576.mib
- rfc3176.mib

The BLADEOS SNMP agent supports the following generic traps as defined in RFC 1215:

- ColdStart
- WarmStart
- LinkDown
- LinkUp
- AuthenticationFailure

The SNMP agent also supports two Spanning Tree traps as defined in RFC 1493:

- NewRoot
- TopologyChange

The following are the enterprise SNMP traps supported in BLADEOS:

Table 25 BLADEOS-Supported Enterprise SNMP Traps

Trap Name	Description
altSwDefGwUp	Signifies that the default gateway is alive.
altSwDefGwDown	Signifies that the default gateway is down.
altSwDefGwInService	Signifies that the default gateway is up and in service
altSwDefGwNotInService	Signifies that the default gateway is alive but not in service
altSwVrrpNewMaster	Indicates that the sending agent has transitioned to “Master” state.
altSwVrrpNewBackup	Indicates that the sending agent has transitioned to “Backup” state.
altSwVrrpAuthFailure	Signifies that a packet has been received from a router whose authentication key or authentication type conflicts with this router's authentication key or authentication type. Implementation of this trap is optional.
altSwLoginFailure	Signifies that someone failed to enter a valid username/password combination.
altSwTempExceedThreshold	Signifies that the switch temperature has exceeded maximum safety limits.
altSwTempReturnThreshold	Signifies that the switch temperature has returned below maximum safety limits.
altSwStgNewRoot	Signifies that the bridge has become the new root of the STG.

Table 25 BLADEOS-Supported Enterprise SNMP Traps (continued)

Trap Name	Description
altSwStgTopologyChanged	Signifies that there was a STG topology change.
altSwStgBlockingState	An altSwStgBlockingState trap is sent when port state is changed in blocking state.
altSwCistNewRoot	Signifies that the bridge has become the new root of the CIST.
altSwCistTopologyChanged	Signifies that there was a CIST topology change.
altSwHotlinksMasterUp	Signifies that the Master interface is active.
altSwHotlinksMasterDn	Signifies that the Master interface is not active.
altSwHotlinksBackupUp	Signifies that the Backup interface is active.
altSwHotlinksBackupDn	Signifies that the Backup interface is not active.
altSwHotlinksNone	Signifies that there are no active interfaces.

Switch Images and Configuration Files

This section describes how to use MIB calls to work with switch images and configuration files. You can use a standard SNMP tool to perform the actions, using the MIBs listed in [Table 26](#).

[Table 26](#) lists the MIBs used to perform operations associated with the Switch Image and Configuration files.

Table 26 MIBs for Switch Image and Configuration Files

MIB Name	MIB OID
agTransferServer	1.3.6.1.4.1872.2.5.1.1.7.1.0
agTransferImage	1.3.6.1.4.1872.2.5.1.1.7.2.0
agTransferImageFileName	1.3.6.1.4.1872.2.5.1.1.7.3.0
agTransferCfgFileName	1.3.6.1.4.1872.2.5.1.1.7.4.0
agTransferDumpFileName	1.3.6.1.4.1872.2.5.1.1.7.5.0
agTransferAction	1.3.6.1.4.1872.2.5.1.1.7.6.0
agTransferLastActionStatus	1.3.6.1.4.1872.2.5.1.1.7.7.0
agTransferUserName	1.3.6.1.4.1872.2.5.1.1.7.9.0
agTransferPassword	1.3.6.1.4.1.1872.2.5.1.1.7.10.0
agTransferTSDumpFileName	1.3.6.1.4.1.1872.2.5.1.1.7.11.0

The following SNMP actions can be performed using the MIBs listed in [Table 26](#).

- Load a new Switch image (boot or running) from a FTP/TFTP server
- Load a previously saved switch configuration from a FTP/TFTP server
- Save the switch configuration to a FTP/TFTP server
- Save a switch dump to a FTP/TFTP server

Loading a New Switch Image

To load a new switch image with the name “MyNewImage-1.img” into image2, follow the steps below. This example shows an FTP/TFTP server at IPv4 address 192.168.10.10, though IPv6 is also supported.

1. Set the FTP/TFTP server address where the switch image resides:

```
Set agTransferServer.0 "192.168.10.10"
```

2. Set the area where the new image will be loaded:

```
Set agTransferImage.0 "image2"
```

3. Set the name of the image:

```
Set agTransferImageFileName.0 "MyNewImage-1.img"
```

4. If you are using an FTP server, enter a username:

```
Set agTransferUserName.0 "MyName"
```

5. If you are using an FTP server, enter a password:

```
Set agTransferPassword.0 "MyPassword"
```

6. Initiate the transfer. To transfer a switch image, enter 2 (gting):

```
Set agTransferAction.0 "2"
```

Loading a Saved Switch Configuration

To load a saved switch configuration with the name “MyRunningConfig.cfg” into the switch, follow the steps below. This example shows a TFTP server at IPv4 address 192.168.10.10, though IPv6 is also supported.

1. Set the FTP/TFTP server address where the switch Configuration File resides:

```
Set agTransferServer.0 "192.168.10.10"
```

2. Set the name of the configuration file:

```
Set agTransferCfgFileName.0 "MyRunningConfig.cfg"
```

3. If you are using an FTP server, enter a username:

```
Set agTransferUserName.0 "MyName"
```

4. If you are using an FTP server, enter a password:

```
Set agTransferPassword.0 "MyPassword"
```

5. Initiate the transfer. To restore a running configuration, enter 3:

```
Set agTransferAction.0 "3"
```

Saving the Switch Configuration

To save the switch configuration to a FTP/TFTP server follow the steps below. This example shows a FTP/TFTP server at IPv4 address 192.168.10.10, though IPv6 is also supported.

1. Set the FTP/TFTP server address where the configuration file is saved:

```
Set agTransferServer.0 "192.168.10.10"
```

2. Set the name of the configuration file:

```
Set agTransferCfgFileName.0 "MyRunningConfig.cfg"
```

3. If you are using an FTP server, enter a username:

```
Set agTransferUserName.0 "MyName"
```

4. If you are using an FTP server, enter a password:

```
Set agTransferPassword.0 "MyPassword"
```

5. Initiate the transfer. To save a running configuration file, enter 4:

```
Set agTransferAction.0 "4"
```

Saving a Switch Dump

To save a switch dump to a FTP/TFTP server, follow the steps below. This example shows an FTP/TFTP server at 192.168.10.10, though IPv6 is also supported.

1. Set the FTP/TFTP server address where the configuration will be saved:

```
Set agTransferServer.0 "192.168.10.10"
```

2. Set the name of dump file:

```
Set agTransferDumpFileName.0 "MyDumpFile.dmp"
```

3. If you are using an FTP server, enter a username:

```
Set agTransferUserName.0 "MyName"
```

4. If you are using an FTP server, enter a password:

```
Set agTransferPassword.0 "MyPassword"
```

5. Initiate the transfer. To save a dump file, enter 5:

```
Set agTransferAction.0 "5"
```

Part 8: Monitoring

The ability to monitor traffic passing through the G8124 can be invaluable for troubleshooting some types of networking problems. This sections cover the following monitoring features:

- Remote Monitoring (RMON)
- sFLOW
- Port Mirroring

CHAPTER 27

Remote Monitoring

Remote Monitoring (RMON) allows network devices to exchange network monitoring data.

RMON allows the switch to perform the following functions:

- Track events and trigger alarms when a threshold is reached.
- Notify administrators by issuing a syslog message or SNMP trap.

RMON Overview

The RMON MIB provides an interface between the RMON agent on the switch and an RMON management application. The RMON MIB is described in RFC 1757.

The RMON standard defines objects that are suitable for the management of Ethernet networks. The RMON agent continuously collects statistics and proactively monitors switch performance. RMON allows you to monitor traffic flowing through the switch.

The switch supports the following RMON Groups, as described in RFC 1757:

- Group 1: Statistics
- Group 2: History
- Group 3: Alarms
- Group 9: Events

RMON Group 1—Statistics

The switch supports collection of Ethernet statistics as outlined in the RMON statistics MIB, in reference to etherStatsTable. You can configure RMON statistics on a per-port basis.

RMON statistics are sampled every second, and new data overwrites any old data on a given port.

Note – RMON port statistics must be enabled for the port before you can view RMON statistics.

Example Configuration

1. Enable RMON on a port.

```
RS G8124(config)# interface port 1
RS G8124(config-if)# rmon
```

2. View RMON statistics for the port.

```
RS G8124(config-if)# show interface port 1 rmon-counters
```

```
-----
RMON statistics for port 3:
etherStatsDropEvents:                NA
etherStatsOctets:                    7305626
etherStatsPkts:                      48686
etherStatsBroadcastPkts:             4380
etherStatsMulticastPkts:             6612
etherStatsCRCAlignErrors:            22
etherStatsUndersizePkts:              0
etherStatsOversizePkts:              0
etherStatsFragments:                 2
etherStatsJabbers:                   0
etherStatsCollisions:                0
etherStatsPkts64Octets:              27445
etherStatsPkts65to127Octets:         12253
etherStatsPkts128to255Octets:        1046
etherStatsPkts256to511Octets:        619
etherStatsPkts512to1023Octets:       7283
etherStatsPkts1024to1518Octets:      38
```

RMON Group 2—History

The RMON History Group allows you to sample and archive Ethernet statistics for a specific interface during a specific time interval. History sampling is done per port.

Note – RMON port statistics must be enabled for the port before an RMON History Group can monitor the port.

Data is stored in *buckets*, which store data gathered during discreet sampling intervals. At each configured interval, the History index takes a sample of the current Ethernet statistics, and places them into a bucket. History data buckets reside in dynamic memory. When the switch is re-booted, the buckets are emptied.

Requested buckets are the number of buckets, or data slots, requested by the user for each History Group. Granted buckets are the number of buckets granted by the system, based on the amount of system memory available. The system grants a maximum of 50 buckets.

You can use an SNMP browser to view History samples.

History MIB Object ID

The type of data that can be sampled must be of an `ifIndex` object type, as described in RFC 1213 and RFC 1573. The most common data type for the History sample is as follows:

```
1.3.6.1.2.1.2.2.1.1.<x>
```

The last digit (*x*) represents the number of the port to monitor.

Configuring RMON History

Perform the following steps to configure RMON History on a port.

1. Enable RMON on a port.

```
RS G8124(config)# interface port 1
RS G8124(config-if)# rmon
RS G8124(config-if)# exit
```

2. Configure the RMON History parameters for a port.

```
RS G8124(config)# rmon history 1 interface-oid 1.3.6.1.2.1.2.2.1.1.<x>
RS G8124(config)# rmon history 1 requested-buckets 30
RS G8124(config)# rmon history 1 polling-interval 120
RS G8124(config)# rmon history 1 owner "rmon port 1 history"
```

where <x> is the number of the port to monitor. For example, the full OID for port 1 would be:

```
1.3.6.1.2.1.2.2.1.1.1
```

3. View RMON history for the port.

```
RS G8124(config)# show rmon history
RMON History group configuration:
```

Index	IFOID	Interval	Rbnum	Gbnum
1	1.3.6.1.2.1.2.2.1.1.1	120	30	30

```

Index                                Owner
-----
1  rmon port 1 history
```

RMON Group 3—Alarms

The RMON Alarm Group allows you to define a set of thresholds used to determine network performance. When a configured threshold is crossed, an alarm is generated. For example, you can configure the switch to issue an alarm if more than 1,000 CRC errors occur during a 10-minute time interval.

Each Alarm index consists of a variable to monitor, a sampling time interval, and parameters for rising and falling thresholds. The Alarm Group can be used to track rising or falling values for a MIB object. The object must be a counter, gauge, integer, or time interval.

Use one of the following commands to correlate an Alarm index to an Event index:

```
RS G8124(config)# rmon alarm <alarm number> rising-crossing-index
                    <event number>
RS G8124(config)# rmon alarm <alarm number> falling-crossing-index
                    <event number>
```

When the alarm threshold is reached, the corresponding event is triggered.

Alarm MIB objects

The most common data types used for alarm monitoring are `ifStats`: errors, drops, bad CRCs, and so on. These MIB Object Identifiers (OIDs) correlate to the ones tracked by the History Group. An example statistic follows:

```
1.3.6.1.2.1.5.1.0 - mgmt.icmp.icmpInMsgs
```

This value represents the alarm's MIB OID, as a string. Note that for non-tables, you must supply a `.0` to specify end node.

Configuring RMON Alarms

Configure the RMON Alarm parameters to track ICMP messages.

```
RS G8124(config)# rmon alarm 1 oid 1.3.6.1.2.1.5.8.0
RS G8124(config)# rmon alarm 1 alarm-type rising
RS G8124(config)# rmon alarm 1 rising-crossing-index 110
RS G8124(config)# rmon alarm 1 interval-time 60
RS G8124(config)# rmon alarm 1 rising-limit 200
RS G8124(config)# rmon alarm 1 sample delta
RS G8124(config)# rmon alarm 1 owner "Alarm for icmpInEchos"
```

This configuration creates an RMON alarm that checks `icmpInEchos` on the switch once every minute. If the statistic exceeds 200 within a 60 second interval, an alarm is generated that triggers event index 110.

RMON Group 9—Events

The RMON Event Group allows you to define events that are triggered by alarms. An event can be a log message, an SNMP trap, or both.

When an alarm is generated, it triggers a corresponding event notification. Use the following commands to correlate an Event index to an alarm:

```
RS G8124(config)# rmon alarm <alarm number> rising-crossing-index
                   <event number>
RS G8124(config)# rmon alarm <alarm number> falling-crossing-index
                   <event number>
```

RMON events use SNMP and syslogs to send notifications. Therefore, an SNMP trap host must be configured for trap event notification to work properly.

RMON uses a syslog host to send syslog messages. Therefore, an existing syslog host must be configured for event log notification to work properly. Each log event generates a syslog of type RMON that corresponds to the event.

For example, to configure the RMON event parameters.

```
RS G8124(config)# rmon event 110 type log
RS G8124(config)# rmon event 110 description "SYSLOG_this_alarm"
RS G8124(config)# rmon event 110 owner "log icmpInEchos alarm"
```

This configuration creates an RMON event that sends a syslog message each time it is triggered by an alarm.

CHAPTER 28

sFLOW

The G8124 supports sFlow technology for monitoring traffic in data networks. The switch includes an embedded sFlow agent which can be configured to provide continuous monitoring information of IPv4 traffic to a central sFlow analyzer.

The switch is responsible only for forwarding sFlow information. A separate sFlow analyzer is required elsewhere on the network in order to interpret sFlow data.

Note – BLADEOS 6.5 does not support IPv6 for sFLOW.

sFlow Statistical Counters

The G8124 can be configured to send network statistics to an sFlow analyzer at regular intervals. For each port, a polling interval of 5 to 60 seconds can be configured, or 0 (the default) to disable this feature.

When polling is enabled, at the end of each configured polling interval, the G8124 reports general port statistics and port Ethernet statistics.

sFlow Network Sampling

In addition to statistical counters, the G8124 can be configured to collect periodic samples of the traffic data received on each port. For each sample, 128 bytes are copied, UDP-encapsulated, and sent to the configured sFlow analyzer.

For each port, the sFlow sampling rate can be configured to occur once each 256 to 65536 packets, or 0 to disable (the default). A sampling rate of 256 means that one sample will be taken for approximately every 256 packets received on the port. The sampling rate is statistical, however. It is possible to have slightly more or fewer samples sent to the analyzer for any specific group of packets (especially under low traffic conditions). The actual sample rate becomes most accurate over time, and under higher traffic flow.

sFlow sampling has the following restrictions:

- **Sample Rate**—The fastest sFlow sample rate is 1 out of every 256 packets.
- **ACLs**—sFlow sampling is performed before ACLs are processed. For ports configured both with sFlow sampling and one or more ACLs, sampling will occur regardless of the action of the ACL.
- **Port Mirroring**—sFlow sampling will not occur on mirrored traffic. If sFlow sampling is enabled on a port that is configured as a port monitor, the mirrored traffic will not be sampled.

Note – Although sFlow sampling is not generally a CPU-intensive operation, configuring fast sampling rates (such as once every 256 packets) on ports under heavy traffic loads can cause switch CPU utilization to reach maximum. Use larger rate values for ports that experience heavy traffic.

sFlow Example Configuration

1. Specify the location of the sFlow analyzer (the server and optional port to which the sFlow information will be sent):

```
RS G8124(config)# sflow server <IPv4 address>      (sFlow server address)
RS G8124(config)# sflow port <service port>        (Set the optional service port)
RS G8124(config)# sflow enable                    (Enable sFlow features)
```

By default, the switch uses established sFlow service port 6343.

To disable sFlow features across all ports, use the `no sflow enable` command.

2. On a per-port basis, define the statistics polling rate:

```
RS G8124(config)# interface port <port>
RS G8124(config-if)# sflow polling <polling rate>  (Statistics polling rate)
```

Specify a polling rate between 5 and 60 seconds, or 0 to disable. By default, polling is 0 (disabled) for each port.

3. On a per-port basis, define the data sampling rate:

```
RS G8124(config-if)# sflow sampling <sampling rate> (Data sampling rate)
```

Specify a sampling rate between 256 and 65536 packets, or 0 to disable. By default, the sampling rate is 0 (disabled) for each port.

4. Save the configuration.

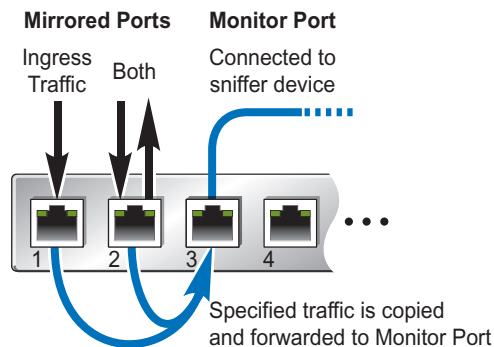
CHAPTER 29

Port Mirroring

The BLADEOS port mirroring feature allows you to mirror (copy) the packets of a target port, and forward them to a monitoring port. Port mirroring functions for all layer 2 and layer 3 traffic on a port. This feature can be used as a troubleshooting tool or to enhance the security of your network. For example, an IDS server or other traffic sniffer device or analyzer can be connected to the monitoring port in order to detect intruders attacking the network.

The G8124 supports a “many to one” mirroring model. As shown in [Figure 44](#), selected traffic for ports 1 and 2 is being monitored by port 3. In the example, both ingress traffic and egress traffic on port 2 are copied and forwarded to the monitor. However, port 1 mirroring is configured so that only ingress traffic is copied and forwarded to the monitor. A device attached to port 3 can analyze the resulting mirrored traffic.

Figure 44 Mirroring Ports



The G8124 supports three monitor ports. Each monitor port can receive mirrored traffic from any number of target ports.

BLADEOS does not support “one to many” or “many to many” mirroring models where traffic from a specific port traffic is copied to multiple monitor ports. For example, port 1 traffic cannot be monitored by both port 3 and 4 at the same time, nor can port 2 ingress traffic be monitored by a different port than its egress traffic.

Ingress and egress traffic is duplicated and sent to the monitor port after processing.

Configuring Port Mirroring

The following procedure may be used to configure port mirroring for the example shown in [Figure 44 on page 377](#):

1. Specify the monitoring port, the mirroring port(s), and the port-mirror direction.

```
RS G8124(config)# port-mirroring monitor-port 3 mirroring-port 1 in
RS G8124(config)# port-mirroring monitor-port 3 mirroring-port 2 both
```

2. Enable port mirroring.

```
RS G8124(config)# port-mirroring enable
```

3. View the current configuration.

```
RS G8124# show port-mirroring

Port Monitoring : Enabled

Monitoring Ports      Mirrored Ports
1                     none
2                     none
3                     (1, in) (2, both)
4                     none
5                     none
6                     none
7                     none
8                     none
9                     none
10                    none
...
```

Part 9: Appendices

APPENDIX A

Glossary

CNA	Converged Network Adapter. A device used for I/O consolidation such as that in Converged Enhanced Ethernet (CEE) environments implementing Fibre Channel over Ethernet (FCoE). The CNA performs the duties of both a Network Interface Card (NIC) for Local Area Networks (LANs) and a Host Bus Adapter (HBA) for Storage Area Networks (SANs).
DIP	The destination IP address of a frame.
Dport	The destination port (application socket: for example, http-80/https-443/DNS-53)
HBA	Host Bus Adapter. An adapter or card that interfaces with device drivers in the host operating system and the storage target in a Storage Area Network (SAN). It is equivalent to a Network Interface Controller (NIC) from a Local Area Network (LAN).
NAT	Network Address Translation. Any time an IP address is changed from one source IP or destination IP address to another address, network address translation can be said to have taken place. In general, half NAT is when the destination IP or source IP address is changed from one address to another. Full NAT is when both addresses are changed from one address to another. No NAT is when neither source nor destination IP addresses are translated.
Preemption	In VRRP, preemption will cause a Virtual Router that has a lower priority to go into backup should a peer Virtual Router start advertising with a higher priority.
Priority	In VRRP, the value given to a Virtual Router to determine its ranking with its peer(s). Minimum value is 1 and maximum value is 254. Default is 100. A higher number will win out for master designation.
Proto (Protocol)	The protocol of a frame. Can be any value represented by a 8-bit value in the IP header adherent to the IP specification (for example, TCP, UDP, OSPF, ICMP, and so on.)
SIP	The source IP address of a frame.
SPort	The source port (application socket: for example, HTTP-80/HTTPS-443/DNS-53).

Tracking

In VRRP, a method to increase the priority of a virtual router and thus master designation (with preemption enabled). Tracking can be very valuable in an active/active configuration.

You can track the following:

- Active IP interfaces on the Web switch (increments priority by 2 for each)
- Active ports on the same VLAN (increments priority by 2 for each)
- Number of virtual routers in master mode on the switch

VIR

Virtual Interface Router. A VRRP address is an IP interface address shared between two or more virtual routers.

Virtual Router

A shared address between two devices utilizing VRRP, as defined in RFC 2338. One virtual router is associated with an IP interface. This is one of the IP interfaces that the switch is assigned. All IP interfaces on the G8124s must be in a VLAN. If there is more than one VLAN defined on the Web switch, then the VRRP broadcasts will only be sent out on the VLAN of which the associated IP interface is a member.

VRID

Virtual Router Identifier. In VRRP, a numeric ID is used by each virtual router to create its MAC address and identify its peer for which it is sharing this VRRP address. The VRRP MAC address as defined in the RFC is 00-00-5E-00-01-*<VRID>*.

If you have a VRRP address that two switches are sharing, then the VRID number needs to be identical on both switches so each virtual router on each switch knows with whom to share.

VRRP

Virtual Router Redundancy Protocol. A protocol that acts very similarly to Cisco's proprietary HSRP address sharing protocol. The reason for both of these protocols is so devices have a next hop or default gateway that is always available. Two or more devices sharing an IP interface are either advertising or listening for advertisements. These advertisements are sent via a broadcast message to an address such as 224.0.0.18.

With VRRP, one switch is considered the master and the other the backup. The master is always advertising via the broadcasts. The backup switch is always listening for the broadcasts. Should the master stop advertising, the backup will take over ownership of the VRRP IP and MAC addresses as defined by the specification. The switch announces this change in ownership to the devices around it by way of a Gratuitous ARP, and advertisements. If the backup switch didn't do the Gratuitous ARP the Layer 2 devices attached to the switch would not know that the MAC address had moved in the network. For a more detailed description, refer to RFC 2338.

Index

Symbols

[]..... 21

Numerics

802.1p QoS..... 193
802.1Q VLAN tagging..... 90, 204
802.1Qaz ETS..... 204
802.1Qbb PFC 200
802.3x flow control 194, 200

A

Access Control List (ACL)..... 135
Access Control Lists. *See* ACLs.
access switch (AMP) 320
accessing the switch
 Browser-based Interface 26, 32
 LDAP 73
 RADIUS authentication..... 65
 security..... 55, 65
 TACACS+..... 69
ACL metering 136
ACLs 75, 135
 FCoE 197
 FIP snooping..... 190, 195
active-active redundancy 335
administrator account..... 38, 41, 68
advertise flag (DCBX) 212
aggregating routes 265
 example..... 270
aggregator switch (AMP) 320
anycast address, IPv6..... 233
application ports 77
authenticating, in OSPF 284
autoconfiguration, link 45
autoconfiguration, IPv6..... 233
auto-negotiation setup..... 45
autonomous systems (AS) 277

B

bandwidth allocation 193, 208
BBI, *See* Browser-Based Interface
Bootstrap Router, PIM..... 309
Border Gateway Protocol (BGP)..... 259
 attributes 266
 failover configuration..... 268
 route aggregation..... 265
 route maps 261
 selecting route paths..... 267
Bridge Protocol Data Unit (BPDU)..... 112
broadcast domains..... 87
broadcast storm control..... 84
Browser-Based Interface..... 25, 278
BSR, PIM..... 309

C

CEE..... 187, 192
 802.1p QoS..... 193
 bandwidth allocation 193
 DCBX..... 188, 192, 211
 ETS 188, 193, 204
 FCoE 191, 192
 LLDP..... 192
 on/off..... 192
 PFC 187, 194, 200
 priority groups 206
Cisco EtherChannel..... 104, 105
CIST 127
Class of Service queue 143
CNA 190, 191
command conventions 21
Command Line Interface 278
Command-Line Interface (CLI) 41
Community VLAN..... 98
component, PIM 306

configuration rules	
CEE	192
FCoE	191
Trunking.....	104
configuring	
BGP failover	268
DCBX.....	214
ETS	209
FIP snooping.....	199
IP routing.....	222
OSPF	288
PFC	202
port trunking	105
spanning tree groups	122, 126, 130
Converged Enhanced Ethernet. <i>See</i> CEE.	
Converged Network Adapter. <i>See</i> CNA.	

D

Data Center Bridging Capability Exchange. <i>See</i> DCBX.	
date setup	43
DCBX	188, 192, 211
default gateway	221
configuration example	224
default password	38, 68
default route, OSPF	282
Dense Mode, PIM	304, 306, 312
Designated Router, PIM.....	304, 309
Differentiated Services Code Point (DSCP)	137
DR, PIM.....	304, 309
DSCP	137

E

ECMP route hashing.....	225
End user access control configuring	62
Enhanced Transmission Selection. <i>See</i> ETS.	
ENodes.....	190, 195
EtherChannel	102
as used with port trunking	104, 105
Ethernet Nodes (FCoE). <i>See</i> ENodes.	
ETS	188, 193, 204
bandwidth allocation	193, 208
configuring	209
DCBX.....	213
PGID	193, 206
priority groups.....	206
priority values	207
external routing.....	260, 277

F

factory default configuration	39, 41, 42
failover	325
overview	334
FastLeave (IGMP).....	251
FC-BB-5	189
FCF	190, 191, 195
detection mode.....	196
FCoE	187, 189
CEE.....	191, 192
CNA	190, 191
ENodes	190
FCF	190, 191
FIP snooping.....	187, 190, 195
FLOGI	197
point-to-point links	189
requirements	191
SAN	189, 192
topology	189
VLANs	197
FCoE Forwarder. <i>See</i> FCF.	
FCoE Initialization Protocol snooping. <i>See</i> FIP snooping.	
Fibre Channel over Ethernet. <i>See</i> FCoE.	
Final Steps.....	50
FIP snooping	187, 190, 195
ACL rules.....	197
ENode mode	196
FCF mode	196
timeout.....	196
first-time configuration	39, 41 to ??
FLOGI	197
flow control	194, 200
setup	45
frame size.....	88
frame tagging. <i>See</i> VLANs tagging.	

G

gateway. *See* default gateway.

H

high-availability	331
Host routes, OSPF.....	287
Hot Links	318
HP-OpenView	35, 355
hypervisor	153

I

IBM Director	355
IBM Director:SNMP, IBM Director	35
ICMP	76
IEEE standards	
802.1D	109, 110
802.1p	142
802.1Q	90
802.1Qaz	204
802.1Qbb	200
802.1s	127
802.3x	200
IGMP	76, 249 to 257
FastLeave	251
IGMPv3	251
PIM	310
Querier	255
Snooping	250
Source-Specific Multicast (SSM)	251
INCITS T11.3	189
incoming route maps	262
internal routing	260, 277
Internet Group Management Protocol	249 to 257
IP address	47
IP interface	47
routing example	222
IP configuration via setup	47
IP interfaces	47
example configuration	222, 224
IP routing	47
cross-subnet example	219
default gateway configuration	224
IP interface configuration	222, 224
IP subnets	220
network diagram	220
subnet configuration example	221
switch-based topology	221
IP subnet mask	47
IP subnets	221
routing	220, 221
VLANs	87
IPv6 addressing	229, 231
ISL Trunking	102
Isolated VLAN	98

J

jumbo frames	88
--------------------	----

L

LACP	107
Layer 2 Failover	325
LDAP authentication	73
Link Aggregation Control Protocol	107
Link Layer Discovery Protocol	345
LLDP	192, 212, 345
logical segment. <i>See</i> IP subnets.	
lossless Ethernet	189, 192
LSAs	276

M

manual style conventions	21
Maximum Transmission Unit	88
meter	79
meter (ACL)	136
mirroring ports	377
modes, PIM	304
monitoring ports	377
MSTP	127
MTU	88
multi-links between switches using port trunking ..	101
multiple spanning tree groups	117
Multiple Spanning Tree Protocol	127

N

Neighbor Discovery, IPv6	235
network component, PIM	306
network management	25, 35, 355

O

OSPF	
area types	274
authentication	284
configuration examples	289
default route	282
external routes	287
filtering criteria	76
host routes	287
link state database	276
neighbors	276
overview	273
redistributing routes	261, 265
route maps	261, 263
route summarization	281
router ID	283
virtual link	283
outgoing route maps	262

P

packet size	88
password	
administrator account	38, 68
default	38, 68
user account	38, 68
passwords	38
payload size	88
Per Hop Behavior (PHB).....	138
PFC	187, 194, 200
DCBX.....	213
PGID	193, 206
PIM	303 to 313
Bootstrap Router (BSR).....	309
component	306
Dense Mode.....	304, 306, 312
Designated Router (DR)	304, 309
examples	311 to 313
IGMP.....	310
modes	304, 306
overview.....	303
Rendezvous Point (RP).....	304, 308
Sparse Mode	304, 306
PIM-DM.....	304, 306, 312
PIM-SM	304, 306
port flow control. <i>See</i> flow control.	
port mirroring	377
Port Trunking.....	103
port trunking	
configuration example	104
description	105
EtherChannel	102
ports	
configuration.....	44
for services	77
monitoring	377
physical. <i>See</i> switch ports.	
priority groups	206
priority value (802.1p)	194, 204
Priority-based Flow Control. <i>See</i> PFC.	
Private VLANs	98
promiscuous port.....	98
Protocol Independent Multicast (see PIM) 303 to 313	
protocol types	76
PVID (port VLAN ID).....	89

Q

QoS	133
Quality of Service	133
Querier (IGMP)	255

R

RADIUS	
authentication.....	65
port 1812 and 1645	77
port 1813	77
SSH/SCP.....	60
Rapid Spanning Tree Protocol (RSTP)	124
receive flow control.....	45
redistributing routes.....	261, 265, 270
redundancy, active-active.....	335
re-mark	79, 136
Rendezvous Point, PIM	304, 308
restarting switch setup	42
RIP (Routing Information Protocol)	
advertisements	244
distance vector protocol.....	243
hop count	243
TCP/IP route information	19, 243
version 1	243
RMON alarms	373
RMON events	374
RMON History	371
RMON statistics.....	370
route aggregation	265, 270
route maps.....	261
configuring	263
incoming and outgoing.....	262
route paths in BGP	267
Router ID, OSPF.....	283
routers.....	220, 224
border	277
peer	277
port trunking	102
switch-based routing topology.....	221
routes, advertising	277
routing	260
internal and external.....	277
Routing Information Protocol. <i>See</i> RIP	
RP candidate, PIM	304, 308
RSA keys	60
RSTP	124
rx flow control	45

S

SAN	189, 192
SecurID	61
security	
LDAP authentication	73
port mirroring	377
RADIUS authentication	65
TACACS+	69
VLANs	87
segmentation. <i>See</i> IP subnets.	
segments. <i>See</i> IP subnets.	
server ports	154, 166
service ports	77
setup facility	39, 41
IP configuration	47
IP subnet mask	47
port auto-negotiation mode	45
port configuration	44
port flow control	45
restarting	42
Spanning-Tree Protocol	44
starting	42
stopping	42
system date	43
system time	43
VLAN name	46
VLAN tagging	45
VLANs	46
SNMP	25, 35, 278, 355
HP-OpenView	35, 355
SNMP Agent	355
Snooping, IGMP	250
Source-Specific Multicast	251
Spanning-Tree Protocol	
multiple instances	117
setup (on/off)	44
Sparse Mode, PIM	304, 306
SSH/SCP	
configuring	56
RSA host and server keys	60
SSM (IGMP)	251
starting switch setup	42
stopping switch setup	42
Storage Area Network. <i>See</i> SAN.	
subnet mask	47
subnets	47
summarizing routes	281
switch failover	334
switch ports VLANs membership	89

T

TACACS+	69
tagging. <i>See</i> VLANs tagging.	
TCP	76
technical terms	
port VLAN identifier (PVID)	90
tagged frame	90
tagged member	90
untagged frame	90
untagged member	90
VLAN identifier (VID)	90
Telnet support	
optional setup for Telnet support	51
text conventions	21
time setup	43
transmit flow control	45
Trunking, configuration rules	104
tx flow control	45
typographic conventions	21

U

UDP	76
uplink ports	154, 166
user account	38, 68

V

virtual interface router (VIR)	332
virtual link, OSPF	283
Virtual Local Area Networks. <i>See</i> VLANs.	
virtual NICs	153
virtual router group	335
virtual router ID numbering	337
VLAN tagging setup	45

VLANs.....	47
broadcast domains	87
default PVID.....	89
example showing multiple VLANs	95
FCoE	197
ID numbers	88
interface	48
IP interface configuration.....	224
multiple spanning trees	111
multiple VLANs.....	90
name setup.....	46
port members	89
PVID	89
routing.....	222
security.....	87
setup	46
Spanning-Tree Protocol	111
tagging	45, 89 to 96
topologies	94
vNICs	153
VRRP (Virtual Router Redundancy Protocol)	
active-active redundancy	335
overview.....	332
virtual interface router	332
virtual router ID numbering.....	337
vrid	332

W

willing flag (DCBX).....	212
--------------------------	-----

Free Manuals Download Website

<http://myh66.com>

<http://usermanuals.us>

<http://www.somanuals.com>

<http://www.4manuals.cc>

<http://www.manual-lib.com>

<http://www.404manual.com>

<http://www.luxmanual.com>

<http://aubethermostatmanual.com>

Golf course search by state

<http://golfingnear.com>

Email search by domain

<http://emailbydomain.com>

Auto manuals search

<http://auto.somanuals.com>

TV manuals search

<http://tv.somanuals.com>