

FEATURED MODEL

157-043-ST BLANCOPODOS™ Faucet in Stainless
(Satin Nickel)

ADDITIONAL MODELS

157-043-CR Polished Chrome

FEATURES

- Solid brass body
- Ceramic disc cartridge
- Reversible mounting hardware adapts to thick or thin mounting surfaces
- 2.2 G.P.M. flow rate
- Installation in a 1-3/8" hole

CODE/STANDARDS COMPLIANCE

ASME A112.18.1-2005

IAPMO Listed

WARRANTY

Blanco America's Kitchen faucets feature a "NO HASSLE" LIMITED LIFETIME WARRANTY to be free of all manufacturing defects under normal use. See our complete warranty for details.

While Blanco America endeavors to provide accurate information, all dimensions are nominal, cannot be guaranteed, and are subject to change or cancellation. Blanco America assumes no responsibility for use of superseded or voided specifications.

PRODUCT SPECIFICATION

Kitchen faucet to include solid brass body, single lever handle and swivel spout. Faucet dimensions to be as follows: Reach: 9"; Spout Height: 9-3/4". Reversible mounting hardware to adapt to thick or thin mounting surfaces. Kitchen faucet to be BLANCOPODOS™, Model 157-043-_____ in _____ finish.

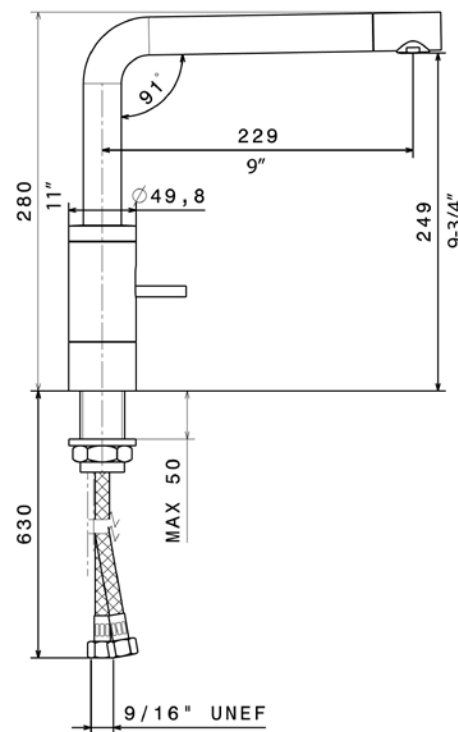
- Polished Chrome 157-043-CR
- Stainless (Satin Nickel) 157-043-ST



MODEL 157-043

NOMINAL DIMENSIONS

MODEL	REACH	SPOUT HEIGHT	FAUCET HEIGHT
157-043	9	9-3/4	11



JOB INFORMATION

Job Name: _____

Contact: _____

Date Specified: _____

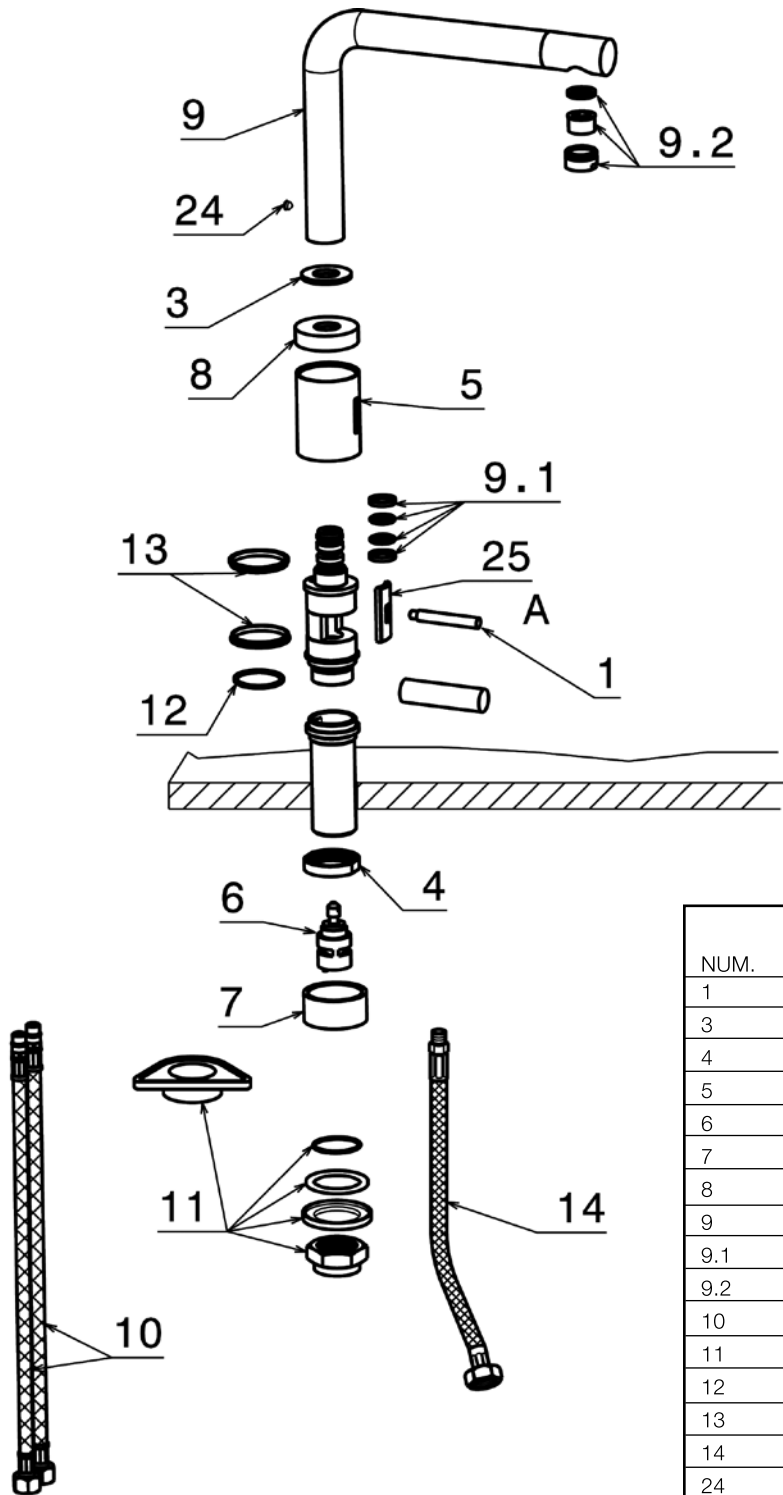
Specifier: _____

Contractor: _____

See next page for exploded parts drawing and parts list.

BLANCO AMERICA
800.451.5782
www.blancoamerica.com

BLANCOPODOS™ MODEL 157-043



NUM.	DESCRIPTION	DOC. PART #
1	LEVER	11879
3	RING	11872
4	NUT	11877
5	BUSH	11874
6	CARTRIDGE	11554
7	BODY SUPPORT	11878
8	CLOSER RING	11873
9	SPOUT	11898
9.1	PLASTIC RING	18051
9.2	AERATOR	89
10	HOSE	15005
11	MOUNTING SET	12324
12	O-RING	10960
13	PLASTIC RING	19416
14	HOSE	15003
24	SCREW	10459
25	BUSH	11880

Free Manuals Download Website

<http://myh66.com>

<http://usermanuals.us>

<http://www.somanuals.com>

<http://www.4manuals.cc>

<http://www.manual-lib.com>

<http://www.404manual.com>

<http://www.luxmanual.com>

<http://aubethermostatmanual.com>

Golf course search by state

<http://golfingnear.com>

Email search by domain

<http://emailbydomain.com>

Auto manuals search

<http://auto.somanuals.com>

TV manuals search

<http://tv.somanuals.com>