

### FEATURED MODEL

**157-053-CR** BLANCOGRACE™ Kitchen Faucet in Polished Chrome

### ADDITIONAL MODELS

**157-053-ST** Stainless (Satin Nickel)

### FEATURES

- Solid brass body
- Ceramic disc cartridge
- Reversible mounting hardware adapts to thick or thin mounting surfaces
- 2.2 G.P.M. flow rate
- Installation in a 1-3/8" hole

### CODE/STANDARDS COMPLIANCE

ASME A112.18.1-2005

IAPMO Listed

### WARRANTY

Blanco America's Kitchen faucets feature a "NO HASSLE" LIMITED LIFETIME WARRANTY to be free of all manufacturing defects under normal use. See our complete warranty for details.

While Blanco America endeavors to provide accurate information, all dimensions are nominal, cannot be guaranteed, and are subject to change or cancellation. Blanco America assumes no responsibility for use of superseded or voided specifications.

### PRODUCT SPECIFICATION

Kitchen faucet to include solid brass body and lever handle. Faucet dimensions to be as follows: Reach: 9"; Spout Height: 8-1/4". Reversible mounting hardware to adapt to thick or thin mounting surfaces. Kitchen faucet to be BLANCOGRACE™, Model 157-053-\_\_\_\_\_ in \_\_\_\_\_ finish.

Polished Chrome 157-053-CR

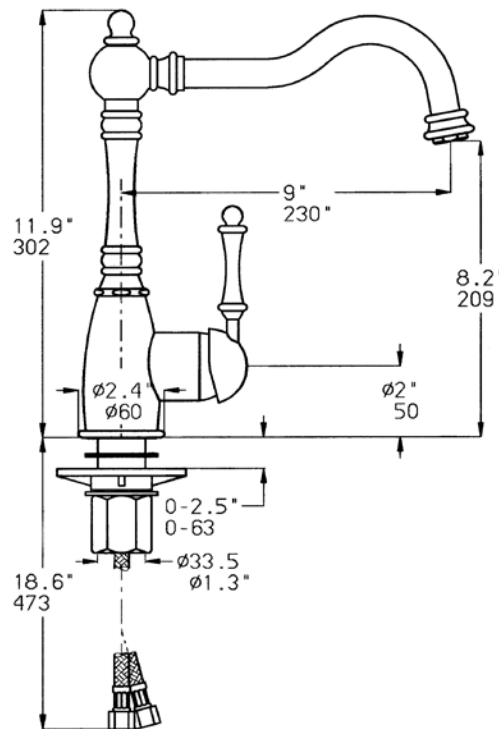
Stainless (Satin Nickel) 157-053-ST



MODEL 157-053

### NOMINAL DIMENSIONS

MODEL	REACH	SPOUT HEIGHT	FAUCET HEIGHT
157-053	9	8-1/4	12



### JOB INFORMATION

Job Name: \_\_\_\_\_

Contact: \_\_\_\_\_

Date Specified: \_\_\_\_\_

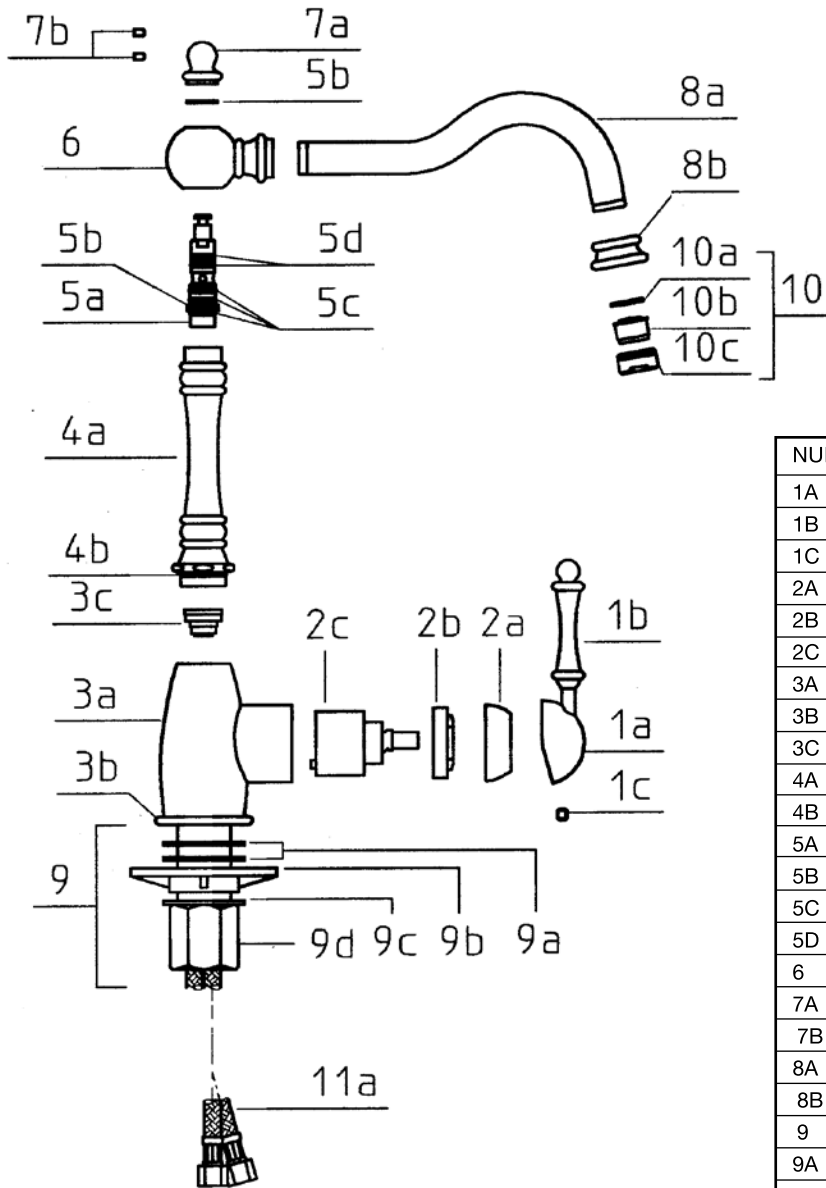
Specifier: \_\_\_\_\_

Contractor: \_\_\_\_\_

See next page for exploded parts drawing and parts list.

**BLANCO AMERICA**  
**800.451.5782**  
**www.blancoamerica.com**

### BLANCOGRACE™ MODEL 157-053



NUM.	PART #	DESCRIPTION
1A	3550	HANDLE
1B	3586	LEVER
1C	3549	SCREW
2A	1303	CAP
2B	1304	NUT
2C	2809	CARTRIDGE
3A	3551	BODY
3B	3552	BASE
3C	2453	DIVERTER
4A	3565	STEM
4B	2.62X21.89	O-RING
5A	3556	GROOVED SLEEVE
5B	3785	TEFLON RING
5C	2.62X10.77	O-RING
5D	2.5X9.4	O-RING
6	3557	SPOUT HOUSING
7A	3560	DECORATIVE KNOB
7B	3206	SCREW
8A	3554	SPOUT
8B	3555	AERATOR BASE
9	1-2359	MOUNTING NUT ASSY
9A	48X34X2	RUBBER WASHER
9B	3109	PLASTIC BASE
9C	2258	METAL WASHER
9D	2359	NUT
10		AERATOR SET
10A	683	RUBBER WASHER
10B	680	SCREEN
10C	682	AERATOR RING
11A	2350	HOSE

## Free Manuals Download Website

<http://myh66.com>

<http://usermanuals.us>

<http://www.somanuals.com>

<http://www.4manuals.cc>

<http://www.manual-lib.com>

<http://www.404manual.com>

<http://www.luxmanual.com>

<http://aubethermostatmanual.com>

Golf course search by state

<http://golfingnear.com>

Email search by domain

<http://emailbydomain.com>

Auto manuals search

<http://auto.somanuals.com>

TV manuals search

<http://tv.somanuals.com>