

FEATURED MODEL

157-056-CR BLANCOGRACE™ Bar Faucet in Polished Chrome

ADDITIONAL MODELS

157-056-ST Stainless (Satin Nickel)

FEATURES

- Solid brass body
- Ceramic disc cartridge
- 2.2 G.P.M. flow rate
- Extra long supply lines
- Installation in a 1-3/8" hole

CODE/STANDARDS COMPLIANCE

ASME A112.18.1-2005

IAPMO Listed

WARRANTY

Blanco America's Bar faucets feature a "NO HASSLE" LIMITED LIFETIME WARRANTY to be free of all manufacturing defects under normal use. See our complete warranty for details.

While Blanco America endeavors to provide accurate information, all dimensions are nominal, cannot be guaranteed, and are subject to change or cancellation. Blanco America assumes no responsibility for use of superseded or voided specifications.

PRODUCT SPECIFICATION

Bar faucet to include solid brass body, lever handle and ceramic disc cartridge. Faucet dimensions to be as follows: Reach: 7"; Spout Height: 8-1/4". Bar faucet to be BLANCOGRACE™, Model 157-056-_____ in _____ finish.

Polished Chrome 157-056-CR

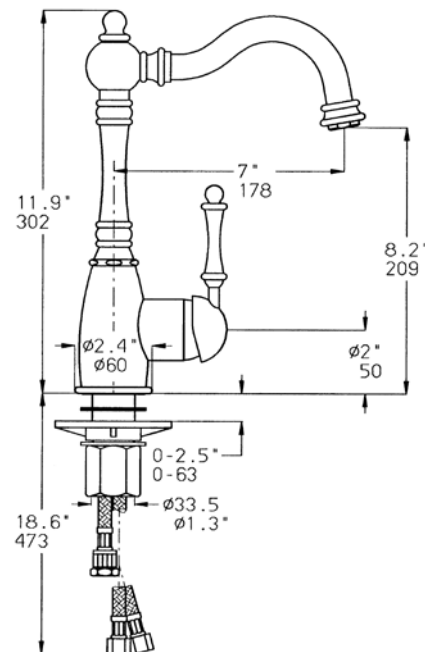
Stainless (Satin Nickel) 157-056-ST



MODEL 157-056

NOMINAL DIMENSIONS

MODEL	REACH	SPOUT HEIGHT	FAUCET HEIGHT
157-056	7	8-1/4	12



See next page for exploded parts drawing and parts list.

JOB INFORMATION

Job Name: _____

Contact: _____

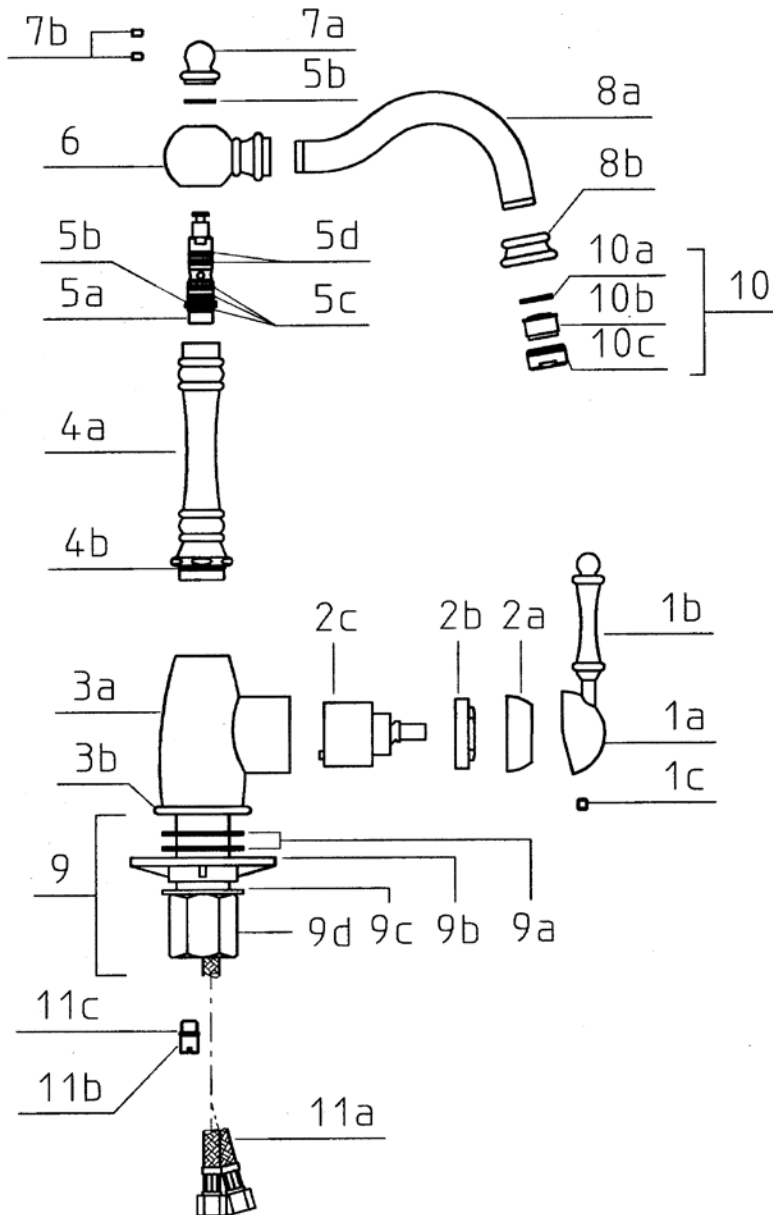
Date Specified: _____

Specifier: _____

Contractor: _____

BLANCO AMERICA
800.451.5782
www.blancoamerica.com

BLANCOGRACE™ MODEL 157-056



NUM.	PART #	DESCRIPTION
1A	3550	HANDLE
1B	3586	LEVER
1C	3549	SCREW
2A	1303	CAP
2B	1304	NUT
2C	2809	CARTRIDGE
3A	3551	BODY
3B	3552	BASE
4A	3565	STEM
4B	2.62X21.89	O-RING
5A	3556	GROOVED SLEEVE
5B	3785	TEFLON RING
5C	2.62X10.77	O-RING
5D	2.5X9.4	O-RING
6	3557	SPOUT HOUSING
7A	3560	DECORATIVE KNOB
7B	3206	SCREW
8A	3566	SPOUT
8B	3555	AERATOR BASE
9	1-2359	MOUNTING NUT ASSY
9A	48X34X2	RUBBER WASHER
9B	3109	PLASTIC BASE
9C	2258	METAL WASHER
9D	2359	NUT
10	1-676	AERATOR
10A		RUBBER WASHER
10B		SCREEN
10C		AERATOR RING
11A	2350	HOSE
11B	3161	PLUG
11C	1.78x7.94	O-RING

Free Manuals Download Website

<http://myh66.com>

<http://usermanuals.us>

<http://www.somanuals.com>

<http://www.4manuals.cc>

<http://www.manual-lib.com>

<http://www.404manual.com>

<http://www.luxmanual.com>

<http://aubethermostatmanual.com>

Golf course search by state

<http://golfingnear.com>

Email search by domain

<http://emailbydomain.com>

Auto manuals search

<http://auto.somanuals.com>

TV manuals search

<http://tv.somanuals.com>