

### FEATURED MODEL

**157-076-CR** BLANCOADVANCE™ Kitchen Faucet in Polished Chrome

### ADDITIONAL MODELS

**157-076-ST** Stainless (Satin Nickel)

### FEATURES

- Solid brass body
- Ceramic disc cartridge
- Color coded hot & cold supply lines
- Durable spiral flexible pull-out spray hose
- Reversible mounting hardware adapts to thick or thin mounting surfaces
- 2.2 G.P.M. flow rate
- Installation in a 1-3/8" hole

### CODE/STANDARDS COMPLIANCE

ASME A112.18.1-2005

IAPMO Listed

### WARRANTY

Blanco America's Kitchen faucets feature a "NO HASSLE" LIMITED LIFETIME WARRANTY to be free of all manufacturing defects under normal use. See our complete warranty for details.

While Blanco America endeavors to provide accurate information, all dimensions are nominal, cannot be guaranteed, and are subject to change or cancellation. Blanco America assumes no responsibility for use of superseded or voided specifications.

### PRODUCT SPECIFICATION

Kitchen faucet to include lever handle and pull-out spray, with solid brass body and ceramic disc cartridge. Faucet dimensions to be as follows: Reach: 7-7/8"; Spout Height: 5-1/2". Hot and cold supply lines to be color coded. Reversible mounting hardware to adapt to thick or thin mounting surfaces. Kitchen faucet to be BLANCOADVANCE™, Model 157-076-\_\_\_\_\_in\_\_\_\_\_ finish.

Polished Chrome 157-076-CR

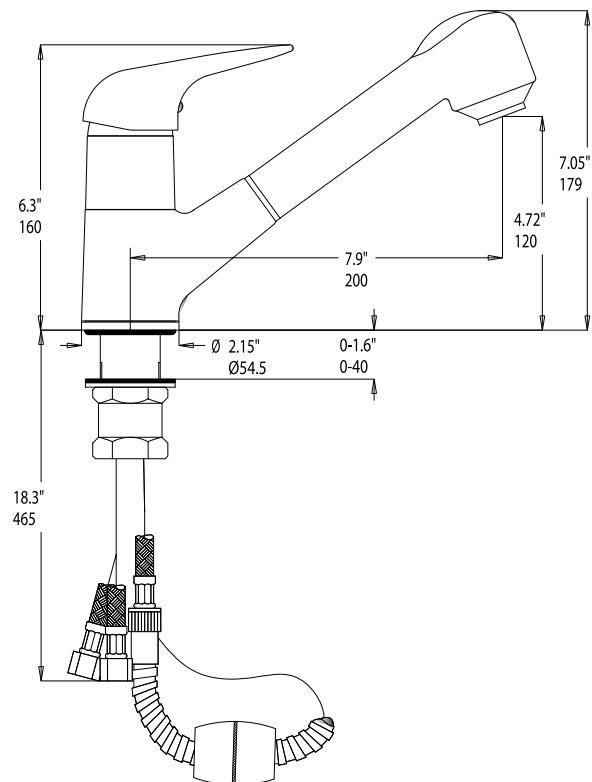
Stainless 157-076-ST



MODEL 157-076

### NOMINAL DIMENSIONS

MODEL	REACH	SPOUT HEIGHT	FAUCET HEIGHT
157-076	7-7/8	5-1/2	6-1/2



See next page for exploded parts drawing and parts list.

### JOB INFORMATION

Job Name: \_\_\_\_\_

Contact: \_\_\_\_\_

Date Specified: \_\_\_\_\_

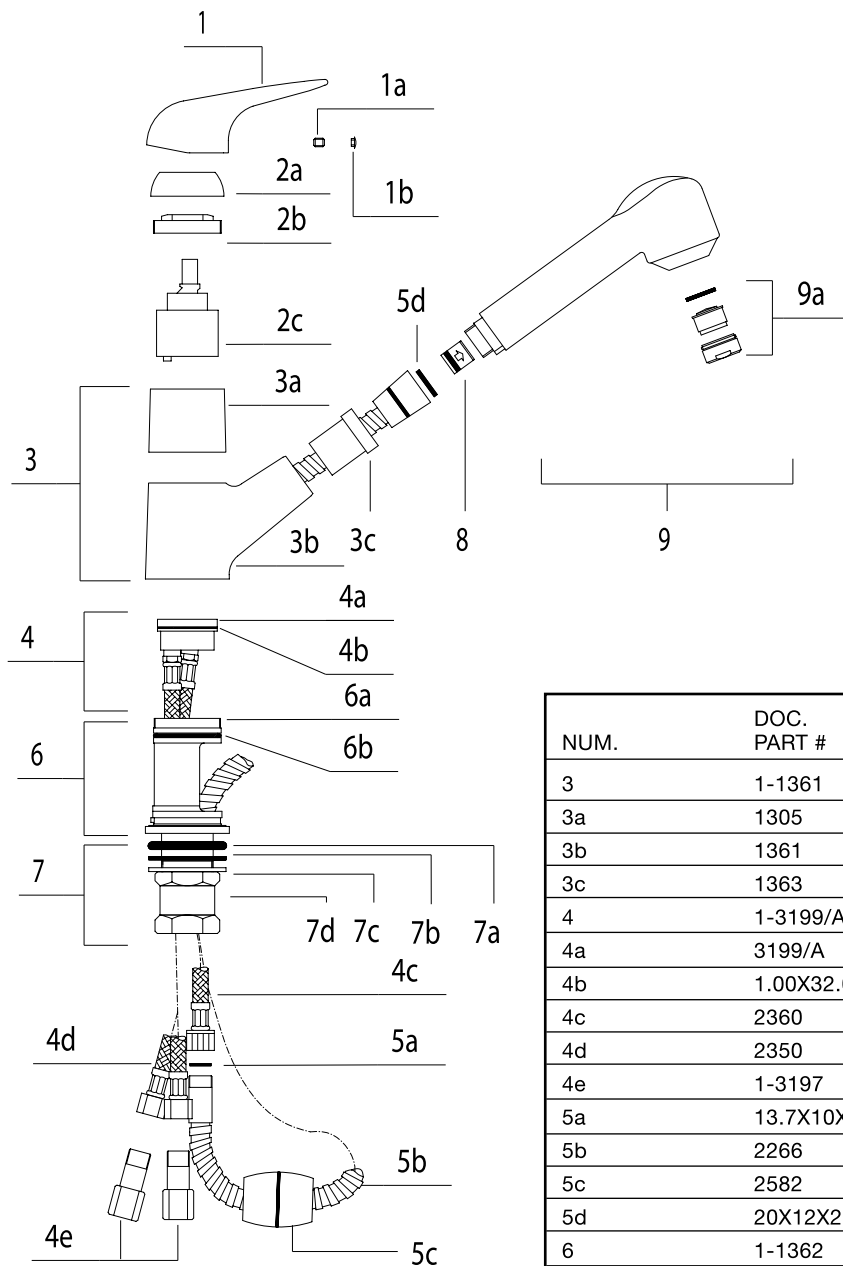
Specifier: \_\_\_\_\_

Contractor: \_\_\_\_\_

**BLANCO AMERICA**  
**800.451.5782**  
**www.blancoamerica.com**

### BLANCOADVANCE™

### MODEL 157-076



NUM.	DOC. PART #	DESCRIPTION
1	2323	LEVER
1a	2058	SCREW
1b	1270	BUTTON
2	1-2408	CARTRIDGE ASSY
2a	1303	CAP
2b	1304	NUT
2c	2408	CARTRIDGE

NUM.	DOC. PART #	DESCRIPTION
3	1-1361	BODY ASSY
3a	1305	HOUSING
3b	1361	BODY
3c	1363	PLASTIC INSERT
4	1-3199/A	INSERT ASSY
4a	3199/A	INSERT WV.BREAKER
4b	1.00X32.00	O'RING
4c	2360	SUPPLY TUBE
4d	2350	HOSE
4e	1-3197	CHECK VALVE
5a	13.7X10X1.5	FIBER
5b	2266	HOSE
5c	2582	WEIGHT
5d	20X12X2.5	RUBBER WASHER
6	1-1362	INNER BODY ASSY
6a	1362	INNER BODY
6b	2.62X39.34	O'RING
7	1-2359	MOUNTING NUT ASSY
7a	3.53X42.86	O'RING
7b	48X34X2	RUBBER WASHER
7c	2258	METAL WASHER
7d	2359	NUT
8	1318	FLOW R.W/CHECK V
9	1293	PULL OUT SPRAY
9a	1-680	AERATOR SET

## Free Manuals Download Website

<http://myh66.com>

<http://usermanuals.us>

<http://www.somanuals.com>

<http://www.4manuals.cc>

<http://www.manual-lib.com>

<http://www.404manual.com>

<http://www.luxmanual.com>

<http://aubethermostatmanual.com>

Golf course search by state

<http://golfingnear.com>

Email search by domain

<http://emailbydomain.com>

Auto manuals search

<http://auto.somanuals.com>

TV manuals search

<http://tv.somanuals.com>