

FEATURED MODEL

157-079-CR BLANCOELIPSO XL™ Kitchen Faucet in Polished Chrome

ADDITIONAL MODELS

157-079-ST Stainless (Satin Nickel)

FEATURES

- Solid brass body
- Ceramic disc cartridge
- Color coded hot & cold supply lines
- Durable spiral flexible pullout spray hose
- Reversible mounting hardware adapts to thick or thin mounting surfaces
- 2.2 G.P.M. flow rate
- Installation in a 1-3/8" hole

CODE/STANDARDS COMPLIANCE

ASME A112.18.1-2005

IAPMO Listed

WARRANTY

Blanco America's Kitchen faucets feature a "NO HASSLE" LIMITED LIFETIME WARRANTY to be free of all manufacturing defects under normal use. See our complete warranty for details.

While Blanco America endeavors to provide accurate information, all dimensions are nominal, cannot be guaranteed, and are subject to change or cancellation. Blanco America assumes no responsibility for use of superseded or voided specifications.

PRODUCT SPECIFICATION

Kitchen faucet to include lever handle and pull-out spray, with solid brass body and ceramic disc cartridge. Faucet dimensions to be as follows: Reach: 10-1/4"; Spout Height: 5-3/4". Hot and cold supply lines to be color coded. Reversible mounting hardware to adapt to thick or thin mounting surfaces. Kitchen faucet to be BLANCOELIPSO XL™, Model 157-079-_____ in _____ finish.

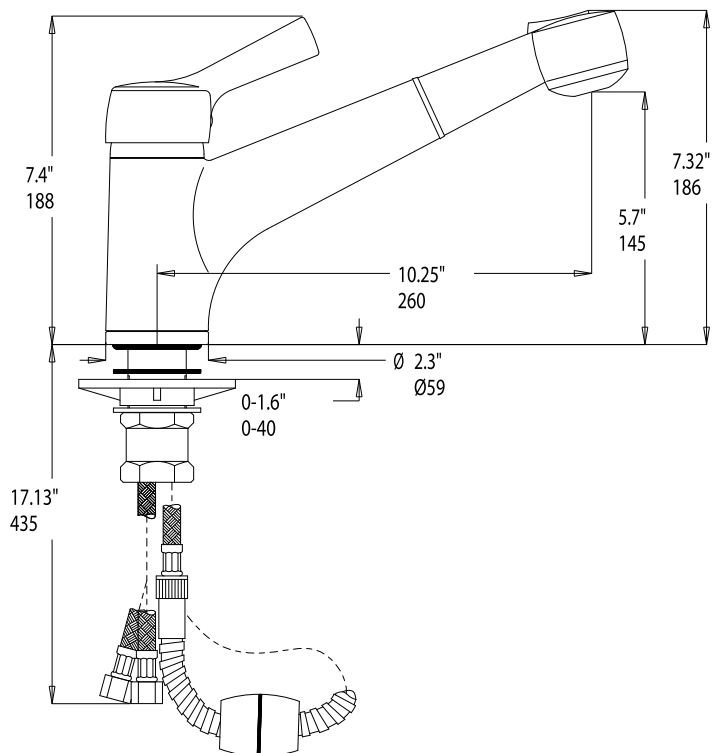
- Polished Chrome 157-079-CR
- Stainless (Satin Nickel) 157-079-ST



MODEL 157-079

NOMINAL DIMENSIONS

MODEL	REACH	SPOUT HEIGHT	FAUCET HEIGHT
157-079	10-1/4	5-3/4	7-1/2



See next page for exploded parts drawing and parts list.

JOB INFORMATION

Job Name: _____

Contact: _____

Date Specified: _____

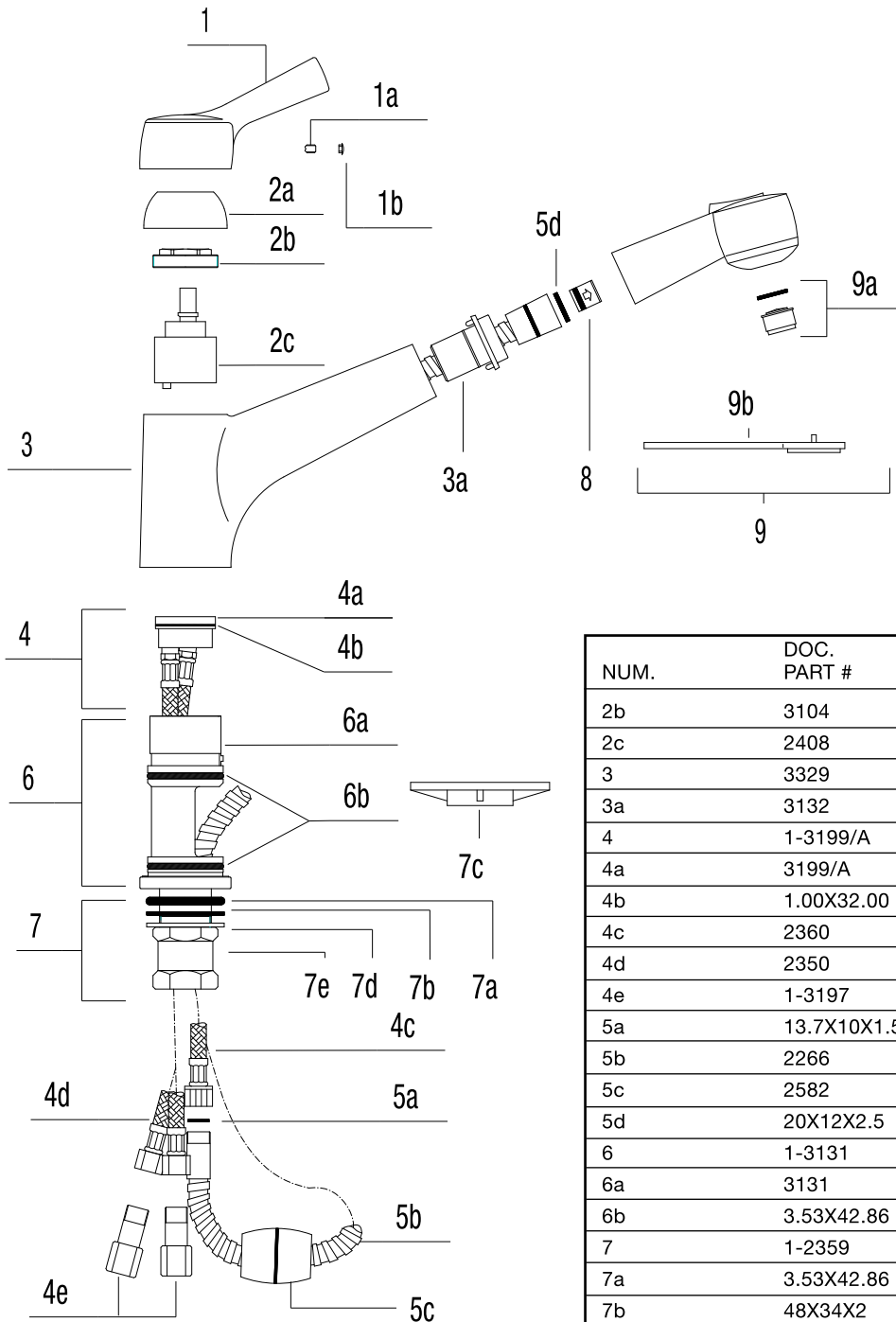
Specifier: _____

Contractor: _____

BLANCO AMERICA
800.451.5782
www.blancoamerica.com

BLANCOELIPSO XL™

MODEL 157-079



NUM.	DOC. PART #	DESCRIPTION
1	3125	LEVER
1a	2058	SCREW
1b	1270	BUTTON
2a	3126	CAP

NUM.	DOC. PART #	DESCRIPTION
2b	3104	NUT
2c	2408	CARTRIDGE
3	3329	BODY
3a	3132	PLASTIC INSERT
4	1-3199/A	INSERT ASSY
4a	3199/A	INSERT W/V.BREAKER
4b	1.00X32.00	O'RING
4c	2360	SUPPLY TUBE
4d	2350	HOSE
4e	1-3197	CHECK VALVE
5a	13.7X10X1.5	FIBER
5b	2266	HOSE
5c	2582	WEIGHT
5d	20X12X2.5	RUBBER WASHER
6	1-3131	INNER BODY ASSY
6a	3131	INNER BODY
6b	3.53X42.86	O'RING
7	1-2359	MOUNTING NUT ASSY
7a	3.53X42.86	O'RING
7b	48X34X2	RUBBER WASHER
7c	3109	PLASTIC BASE
7d	2258	METAL WASHER
7e	2359	NUT
8	2430	FLOW R.W/CHECK V
9	3133	PULL OUT SPRAY
9a	1-680	AERATOR SET
9b	3347	KEY

Free Manuals Download Website

<http://myh66.com>

<http://usermanuals.us>

<http://www.somanuals.com>

<http://www.4manuals.cc>

<http://www.manual-lib.com>

<http://www.404manual.com>

<http://www.luxmanual.com>

<http://aubethermostatmanual.com>

Golf course search by state

<http://golfingnear.com>

Email search by domain

<http://emailbydomain.com>

Auto manuals search

<http://auto.somanuals.com>

TV manuals search

<http://tv.somanuals.com>